

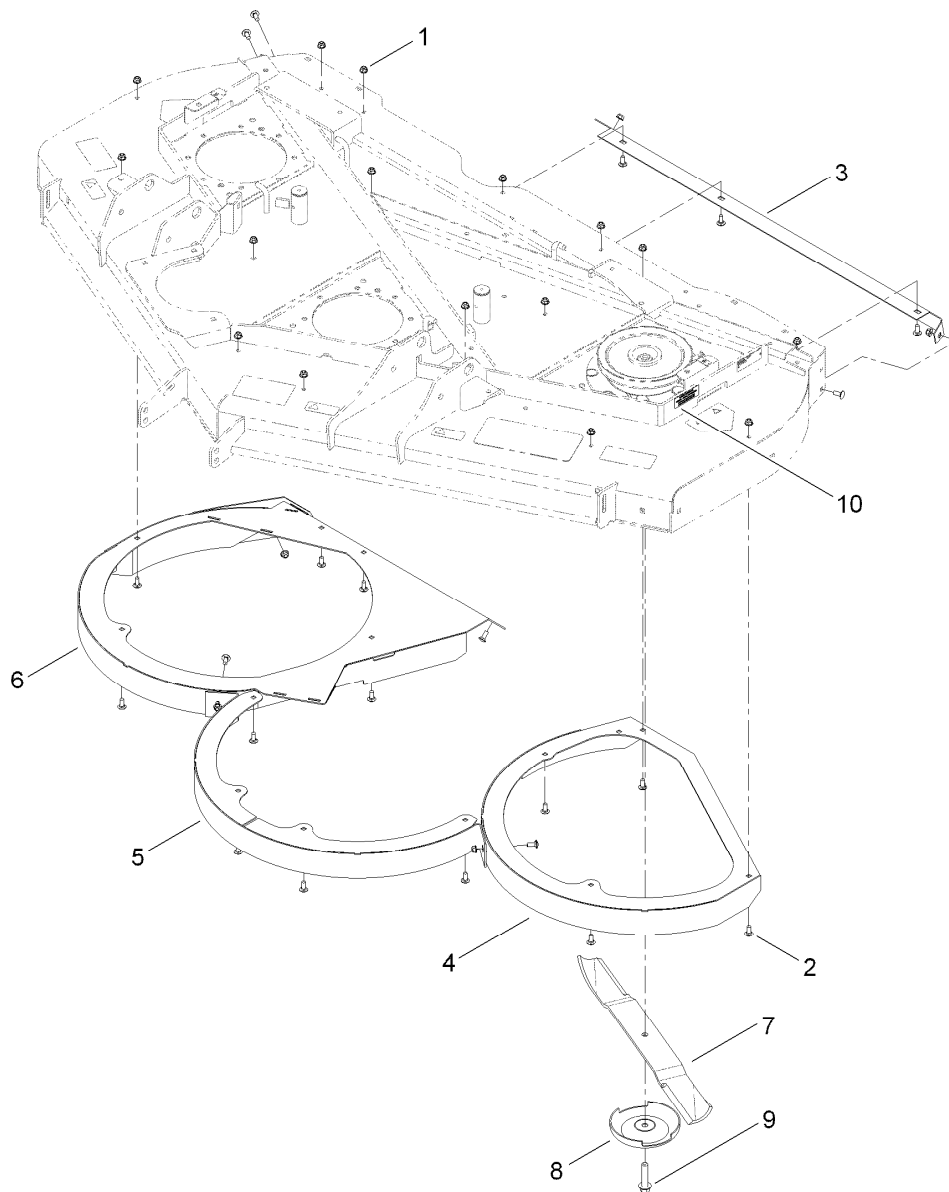


**Count on it.**

**Parts Catalog**

**Rear Discharge Completion Kit**  
**Base 72in Mower for Groundsmaster® 360**  
**Multi-Purpose Machine**

Model No. 30549



## Rear Discharge Completion Kit

<i>Ref.</i>	<i>Part Number</i>	<i>Qty.</i>	<i>Description</i>
1	104-8300	22	Nut-Flange, NI
2	3230-23	22	Screw-CARR
3	120-0324-01	1	Shield-Rear
4	112-9591-01	1	Chamber-LH
5	110-0612-01	1	Chamber-Center
6	120-0325-01	1	Chamber-RH
7	108-1958-03	3	Blade-Rotary
8	72-9361	3	Cup-Scalp, Anti
9	92-5816	3	Bolt-Blade
10	120-0341	1	Decal-Regulatory