



**Count on it.**

**Parts Catalog**

**20in Recycler<sup>®</sup>/Rear Bagging  
Lawn Mower**

**Model No. 20316—Serial No. 311000001 and Up**

# Ordering Replacement Parts

To order replacement parts, please supply the part number, the quantity, and the description of each part desired.

## Understanding Reference Numbers

Each identified part in an illustration has a reference number. The reference number for a part also appears in the parts list, along with other information about the part.

This catalog uses two special reference number formats, one to indicate parts in a service assembly and another to indicate the quantity of a given part in an illustration.

## Service Assembly Reference Numbers

Parts in service assemblies have reference numbers in the form a:b. The a represents the reference number of the entire service assembly and the b represents a sequential number unique to each part within the service assembly.

For example, a wheel assembly might be identified by reference number 6, the tire by 6:1, the valve by 6:2, and the wheel by 6:3. When you order the assembly identified by reference number 6, you receive all parts identified by reference numbers 6:1, 6:2, and 6:3. However, you may also order any part individually. Reference numbers of this type appear in illustration and in parts lists.

## Reference Numbers Indicating Quantity

In an illustration, if a reference number indicates more than one part, the reference number has the form nX y. The n represents the quantity of the part, the X is the multiplication symbol, and the y represents the reference number.

For example, in an illustration, the reference number 2X 37 means that two of the parts identified by reference number 37 are indicated.

# List of Abbreviations

**AR:** as required

**ASM:** assembly

**BBC:** blade brake control

**BHTF:** button head thread forming

**CARR:** carriage

**CCW:** counter clockwise

**CW:** clockwise

**DEG:** degrees

**DPA:** Dual Point Adjustment

**ECM:** electronic control module

**EXT:** external

**FH:** flat head

**GA:** gauge

**HD:** heavy-duty

**HF:** hex flange

**HH:** hex head

**HHF:** hex head flange

**HHFTF:** hex head flange thread forming

**HJ:** hex jam

**HLH:** hex lag head

**HOC:** height-of-cut

**HSBH:** hex socket button head

**HSFH:** hex socket flat head

**HSH:** hex socket head

**HWH:** hex washer head

**HWTF:** hex washer head thread forming

**HYD:** hydraulic

**LH:** left hand

**LP:** Liquid Propane

**NI:** nylon insert

**NPTF:** national pipe thread fine

**PFH:** phillips flat head

**PPH:** phillips pan head

**PPHTF:** phillips pan head thread forming

**PRH:** phillips round head

**PTH:** phillips truss head

**PTO:** power-take-off

**RH:** right hand

**ROPS:** roll-over protection system

**RRB:** rear roller brush

**SFH:** slotted fillister head

**SHH:** slotted hex head

**SHWH:** slotted hex washer head

**SPH:** slotted pan head

**SQH:** square head

**SRH:** slotted round head

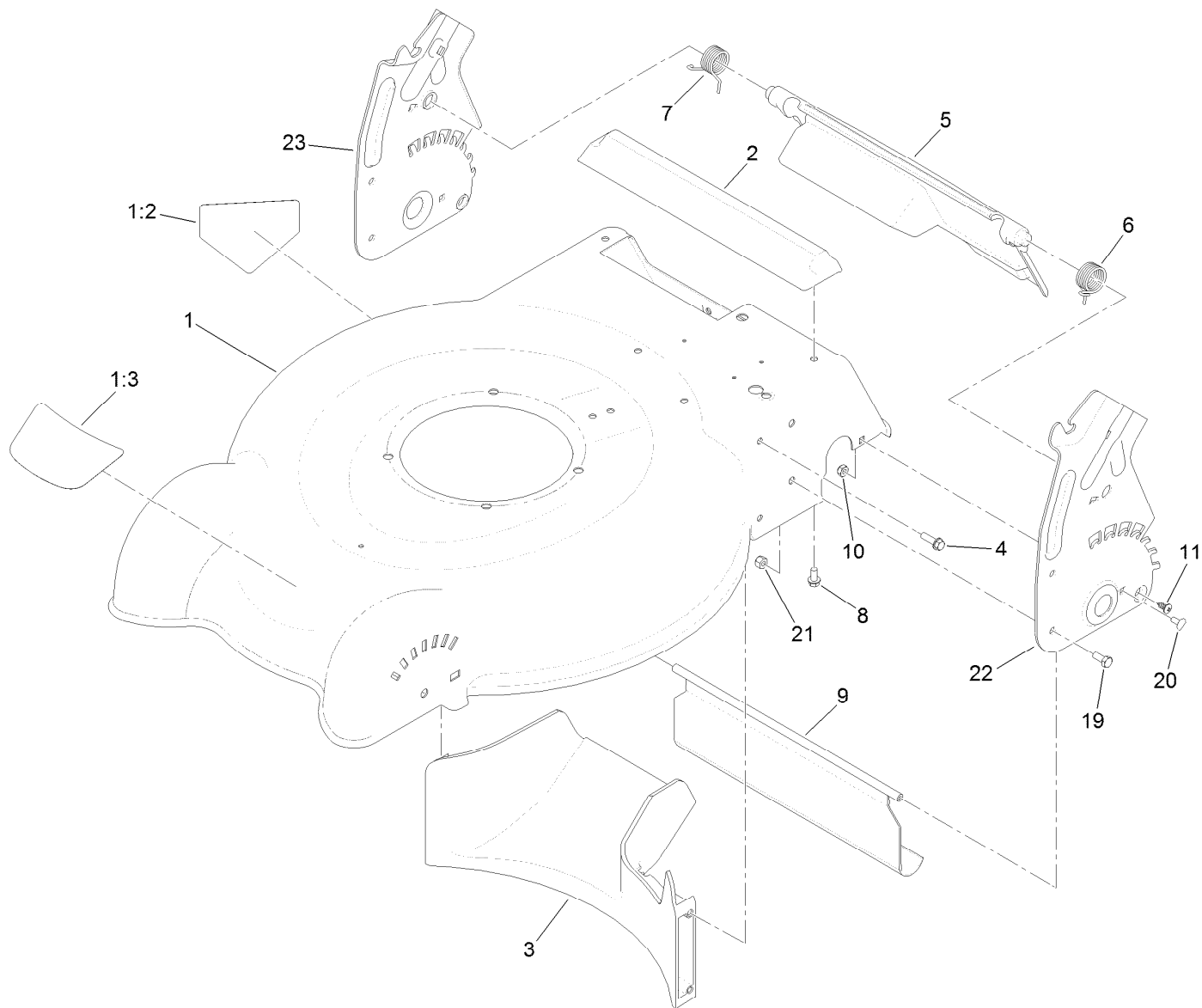
**STD:** standard

**TAP:** self tapping

**TTH:** torx truss head

# Contents

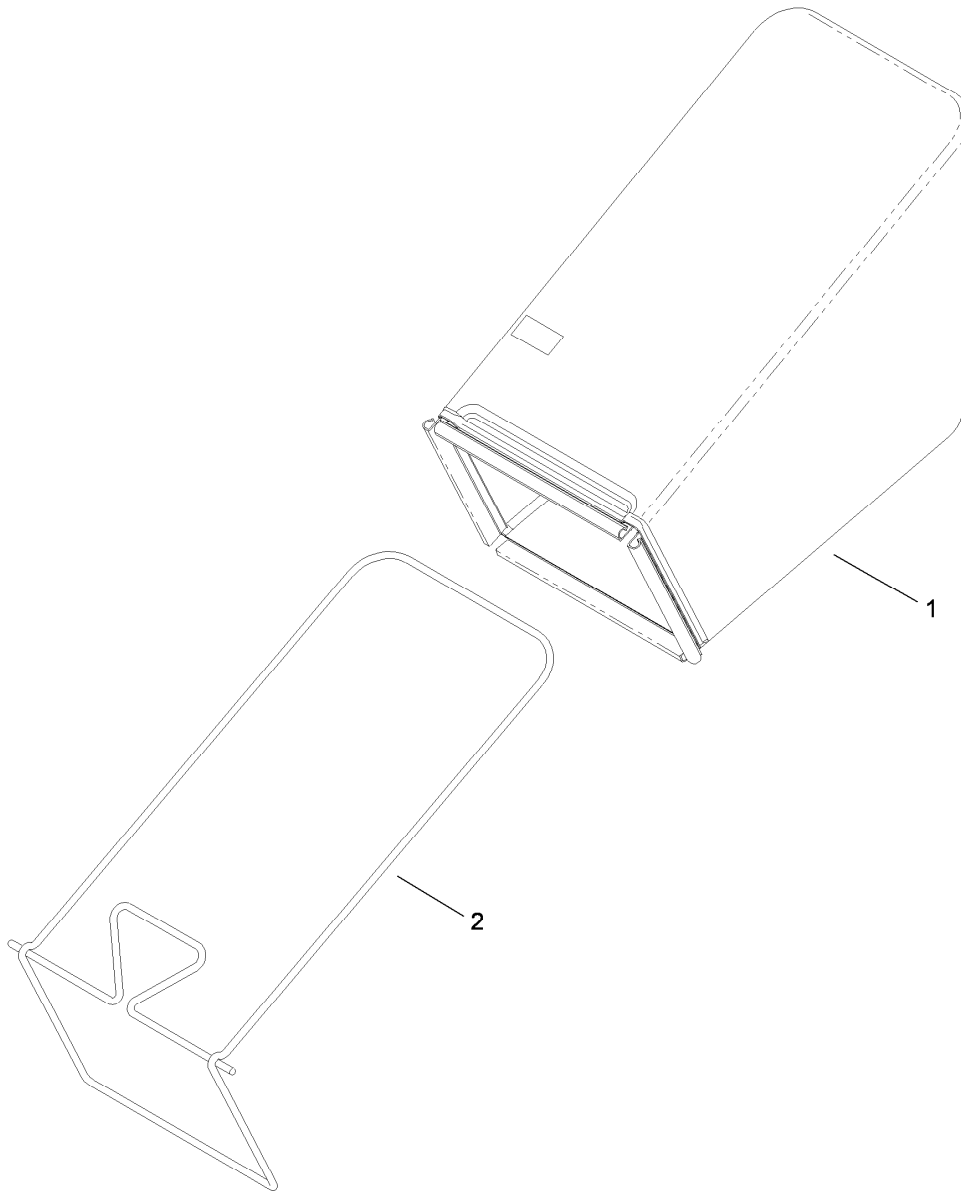
Housing and Rear Door Assembly .....	4
Bag and Frame Assembly .....	5
Engine and Blade Assembly .....	6
Front Wheel and Height-of-Cut Assembly .....	7
Transmission, Rear Wheel and Height-of-Cut Assembly .....	8
Handle Assembly .....	9
Battery and Electric Start Assembly .....	10
Attachments and Accessories .....	11



## Housing and Rear Door Assembly

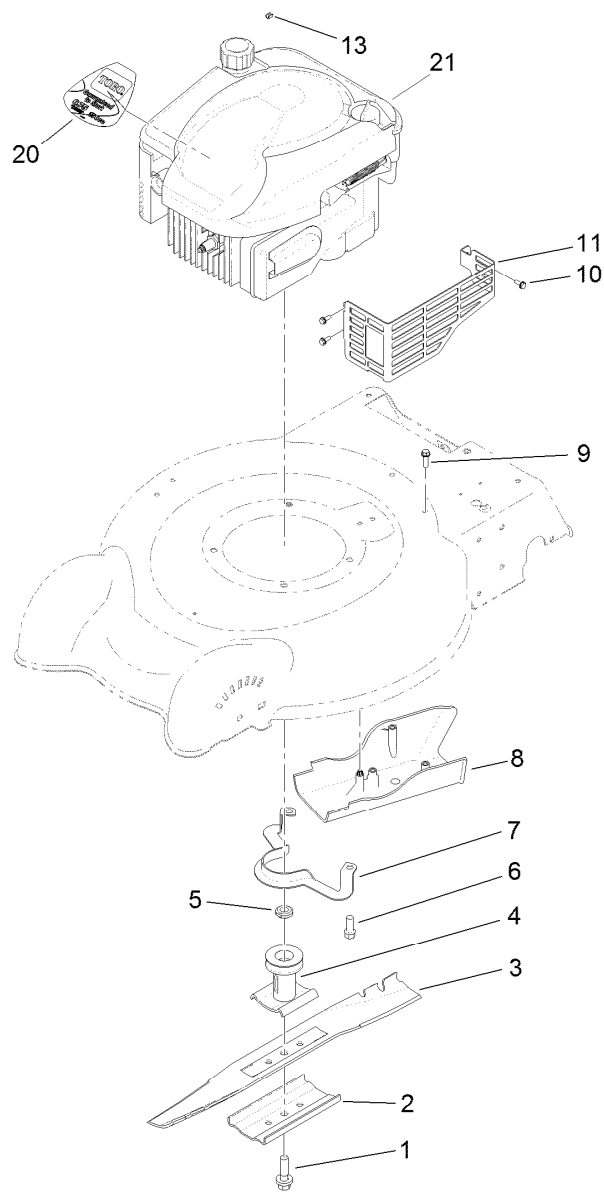
<i>Ref.</i>	<i>Part Number</i>	<i>Qty.</i>	<i>Description</i>
1	117-5944	1	Housing ASM
1:2	112-8760	1	Decal-Danger
1:3	117-5947	1	Decal-Deck
2	112-8845	1	Chute-Rear
3	112-8821	1	Baffle-Rear
4	46-8091	5	Screw-HWH
5	119-7029	1	Rear Deflector ASM
6	119-7015	1	Spring-Torsion, LH
7	119-7016	1	Spring-Torsion, RH

<i>Ref.</i>	<i>Part Number</i>	<i>Qty.</i>	<i>Description</i>
8	46-8093	3	Screw-Plastite
9	112-8768	1	Shield-Trailing
10	3296-16	2	Nut-Lock, NI
11	117-1092	2	Screw-PTH
19	322-3	4	Screw-HH
20	3229-11	2	Screw-CARR
21	3296-29	4	Nut-Lock, NI
22	112-8822-03	1	Plate-HOC, LH
23	112-8823-03	1	Plate-HOC, RH



## Bag and Frame Assembly

<i>Ref.</i>	<i>Part Number</i>	<i>Qty.</i>	<i>Description</i>
1	119-3759	1	Grass Bag ASM
2	112-8825-03	1	Frame-Bag

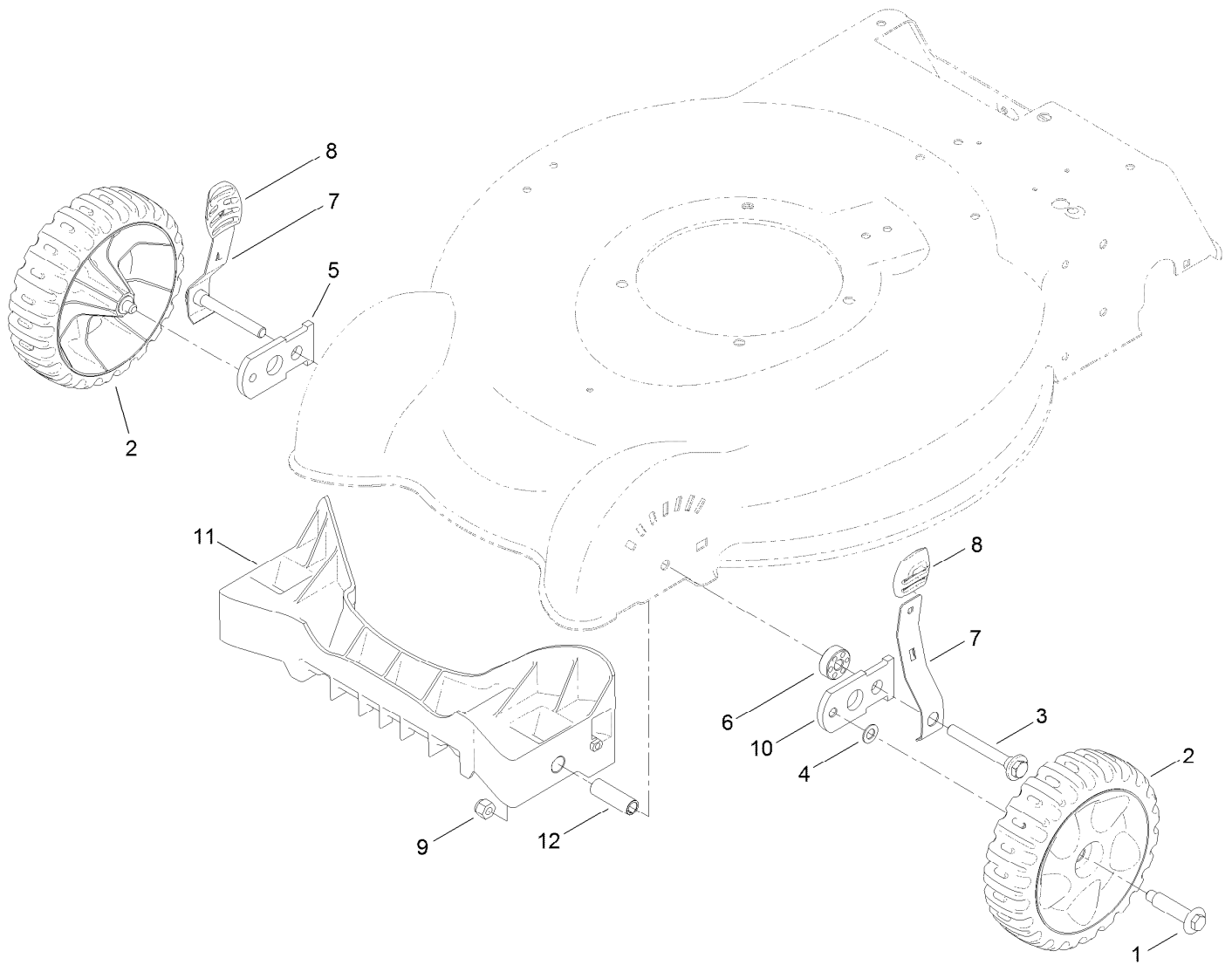


## Engine and Blade Assembly

Ref.	Part Number	Qty.	Description
1	105-8579	1	Bolt-Blade
2	108-3766-03	1	Support-Blade
3	112-8841-03	1	Blade-20 Inch
4	106-3987	1	Blade Driver ASM
5	106-3999	1	Spacer-Driver
6	95-1726	3	Screw-Taptite
7	105-3030-03	1	Guide-Belt
8	112-8829	1	Cover-Belt
9	46-8091	3	Screw-HWH
10	32144-1	3	Screw-Taptite
11	104-7577-03	1	Shield-Muffler
13	2210-316	1	Stop-Rope
20	117-1017	1	Decal
21		1	Engine-Briggs, 126T05-0362-B1 ●■

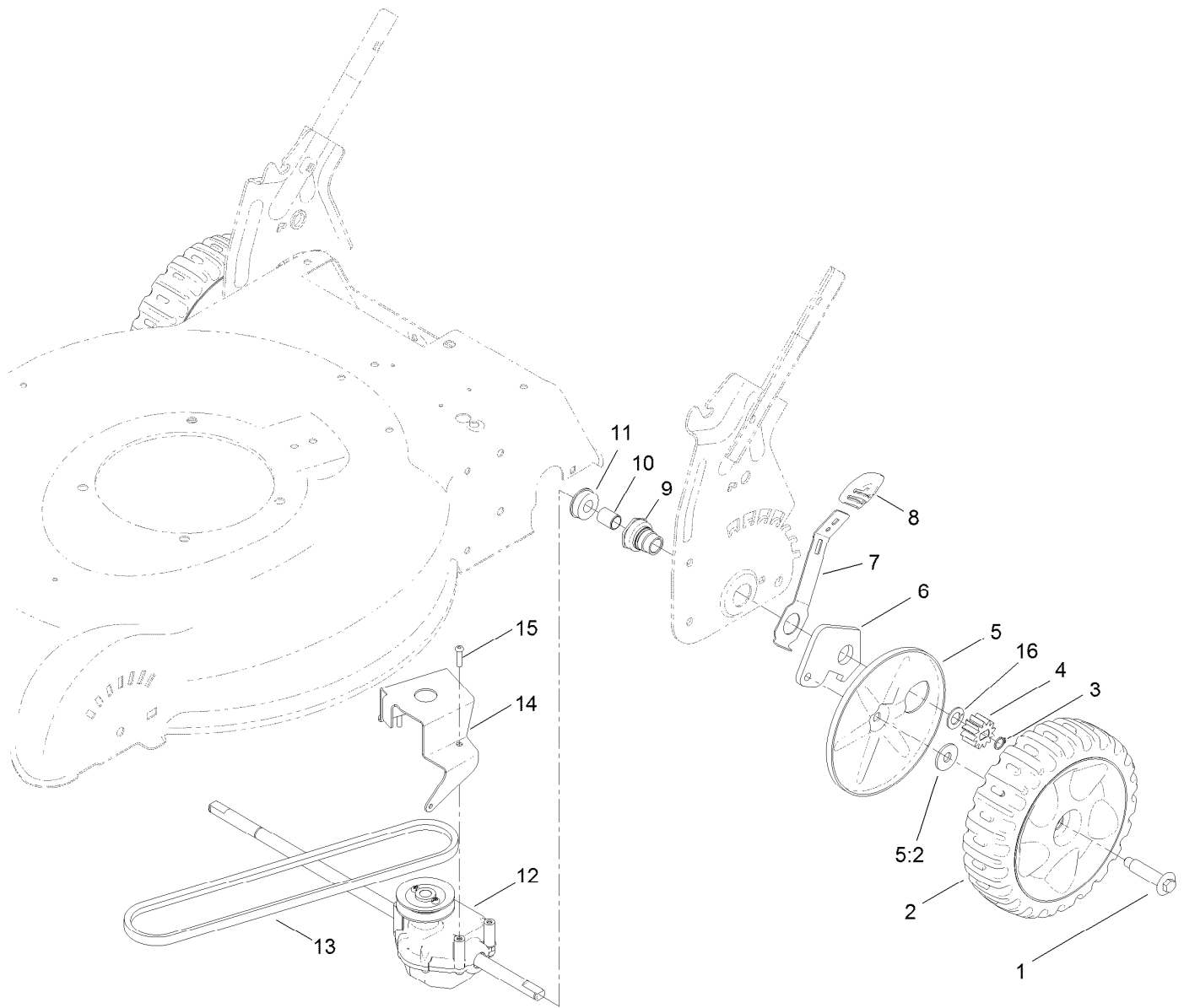
● Not serviced separately

■ Obtain parts from [www.briggsandstratton.com](http://www.briggsandstratton.com)



## Front Wheel and Height-of-Cut Assembly

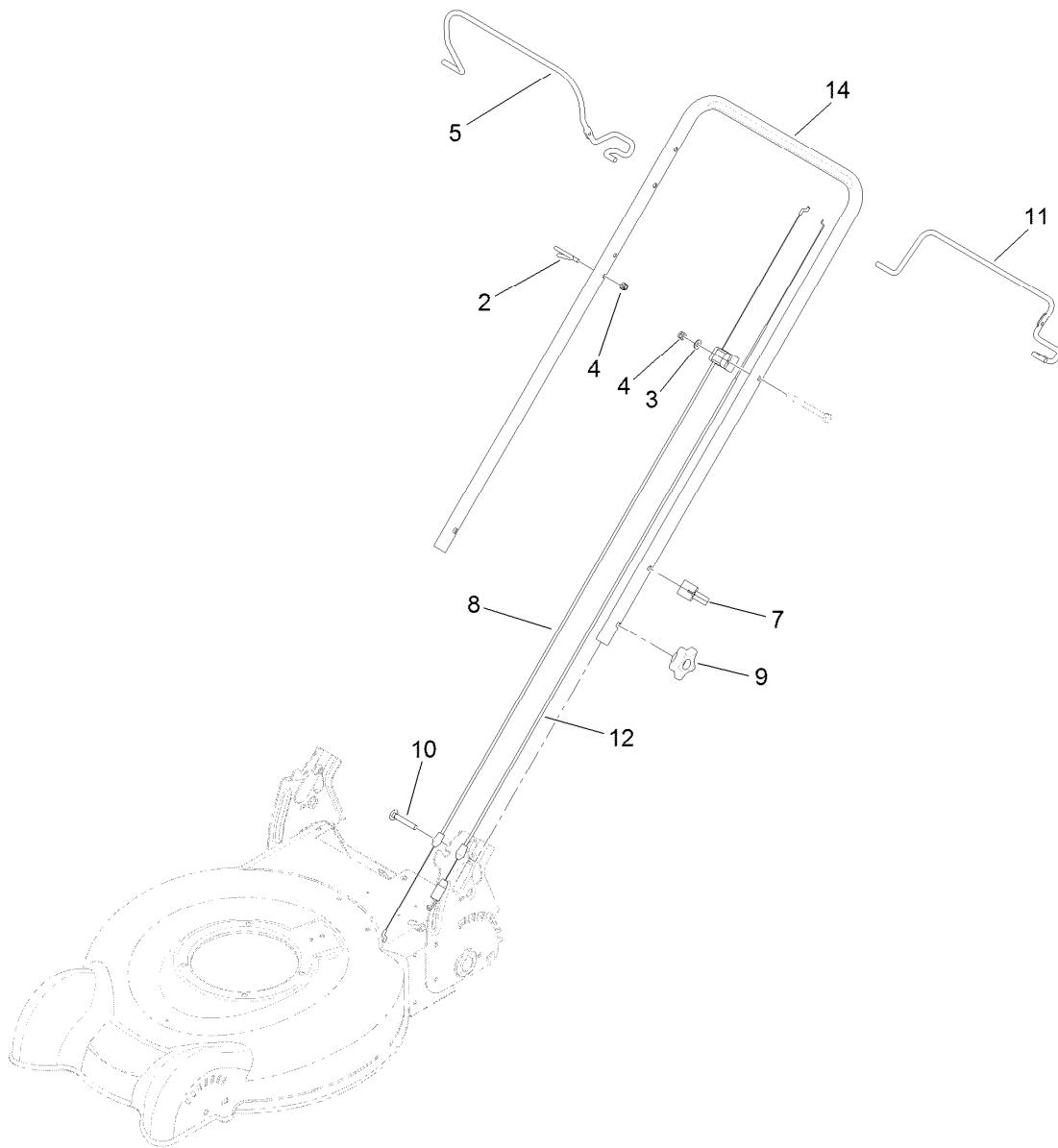
Ref.	Part Number	Qty.	Description
1	614650	2	Bolt-Shoulder
2	119-3777	2	7 Inch Wheel And Tire ASM
3	117-5996	2	Bolt-Shoulder
4	40-1940	2	Washer
5	107-3877	1	Arm-Pivot, RH
6	117-5997	2	Spacer-Arm, Pivot
7	112-8828	2	Arm-Spring, Front
8	105-3042	2	Knob-Lever, HOC
9	3296-39	2	Nut-Lock, NI
10	108-1044	1	Arm-Pivot, LH
11	119-7082	1	Baffle-Throw, Front
12	117-5992	2	Spacer-Baffle, Front



## Transmission, Rear Wheel and Height-of-Cut Assembly

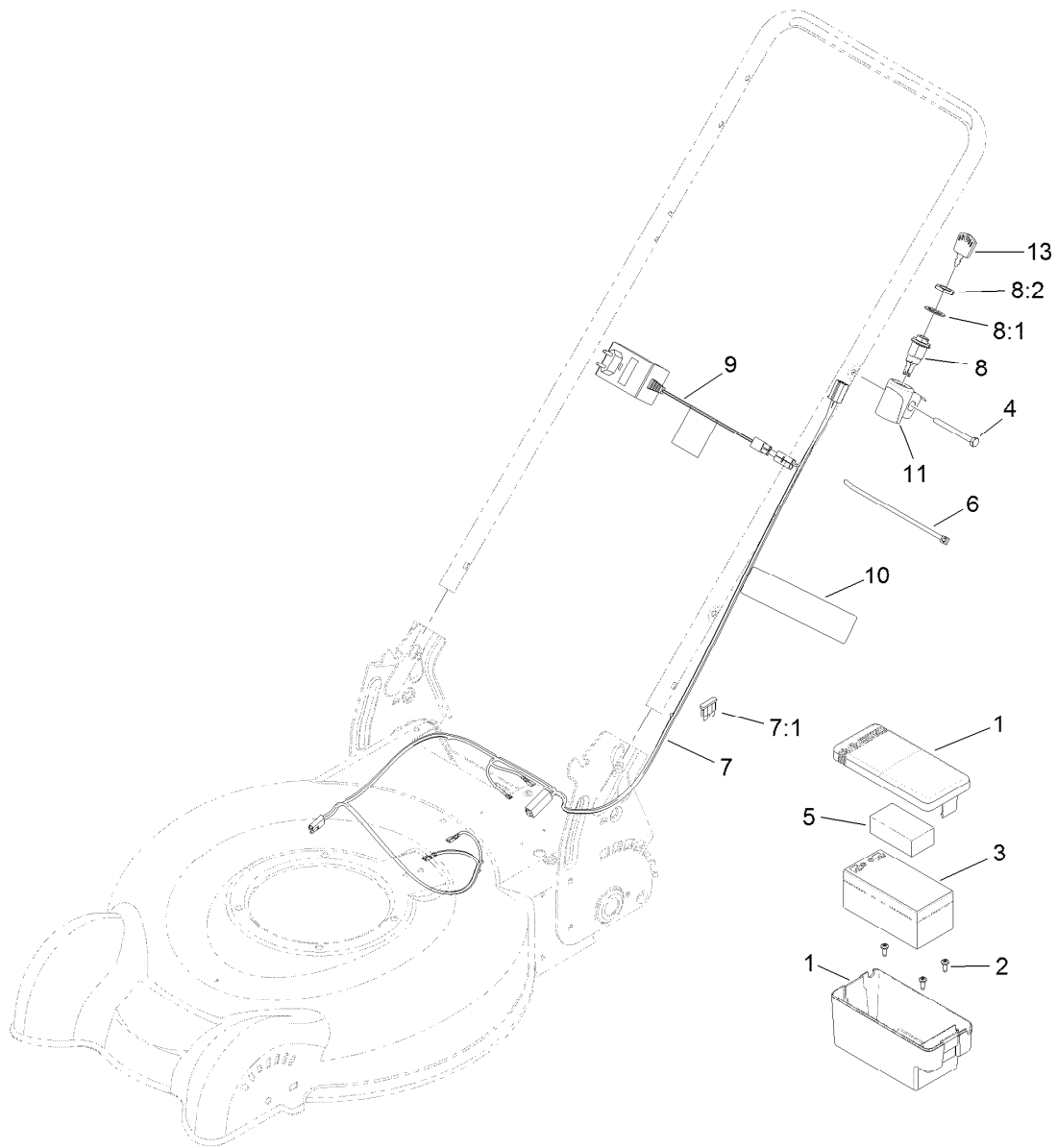
Ref.	Part Number	Qty.	Description
1	614650	2	Bolt-Shoulder
2	119-7068	2	8 Inch Wheel And Gear ASM
3	32151-61	2	Ring-Retaining
4	115-4668	2	Gear-Pinion, 12T
5	110-1792	2	Wheel Cover ASM
5:2	614426	1	Washer-Stepped
6	108-9781	2	Arm-Pivot, Rear
7	108-9780	2	Arm-Spring

Ref.	Part Number	Qty.	Description
8	105-3042	2	Knob-Lever, HOC
9	108-9779	2	Retainer-Bushing, HOC
10	108-9782	2	Bushing-Sleeve
11	104-8699	2	Bearing-Ball
12	112-8831	1	Transmission ASM
13	110-9429	1	V-Belt
14	114-7977-03	1	Bracket-Transmission
15	120-0185	3	Screw-Pan Head, T20
16	110-7191	2	Washer-Thrust



## Handle Assembly

<i>Ref.</i>	<i>Part Number</i>	<i>Qty.</i>	<i>Description</i>
2	86-9671	1	Guide-Rope
3	3256-1	1	Washer-Flat
4	3296-73	2	Nut-Lock, NI
5	117-5940-03	1	Bail-Brake
7	114-7988	1	Guide-Cable
8	112-8818	1	Cable-Brake
9	117-5976	2	Knob-Handle, Locking
10	3230-6	2	Screw-CARR
11	112-8835-03	1	Bail-Traction, 2-Bail Flat
12	112-8817	1	Cable-Traction
14	112-8833-05	1	Handle



## Battery and Electric Start Assembly

Ref.	Part Number	Qty.	Description
1	108-4844	1	Battery Box ASM
2	105-6849	2	Screw-Thread Forming
3	106-8397	1	Battery-12 Volt
4	321-57	1	Screw-HH
5	107-3774	1	Foam-Battery, Top
6	614249	3	Strap-Tie
7	106-8378	1	Harness-Wire
7:1	99-6124	1	Fuse-Blade, 40 Amp
8	46-5780	1	Starter Switch ASM
8:1	3254-5	1	Washer-Tooth, Internal
8:2	218-461	1	Nut-HH
9	114-1588	1	Charger-Battery
10	104-7953	1	Decal
11	108-9760	1	Mount-Switch
13	700918	1	Key

# Attachments and Accessories

## For 20316 20in Recycler/Rear Bagging Lawn Mower

Product Name	Model/Part
Cover-Lawnmower .....	490-7462
Rear-Discharge Deflector, 2009 and After 20in Steel Deck Mower .....	89964



**Count on it.**