



Count on it.

Parts Catalog

Greensmaster® 3100

2-Wheel Drive

Model No. 04356—Serial No. 28000001 and Up

Ordering Replacement Parts

To order replacement parts, please supply the part number, the quantity, and the description of each part desired.

Understanding Reference Numbers

Each identified part in an illustration has a reference number. The reference number for a part also appears in the parts list, along with other information about the part.

This catalog uses two special reference number formats, one to indicate parts in a service assembly and another to indicate the quantity of a given part in an illustration.

Service Assembly Reference Numbers

Parts in service assemblies have reference numbers in the form a:b. The a represents the reference number of the entire service assembly and the b represents a sequential number unique to each part within the service assembly.

For example, a wheel assembly might be identified by reference number 6, the tire by 6:1, the valve by 6:2, and the wheel by 6:3. When you order the assembly identified by reference number 6, you receive all parts identified by reference numbers 6:1, 6:2, and 6:3. However, you may also order any part individually. Reference numbers of this type appear in illustration and in parts lists.

Reference Numbers Indicating Quantity

In an illustration, if a reference number indicates more than one part, the reference number has the form nX y. The n represents the quantity of the part, the X is the multiplication symbol, and the y represents the reference number.

For example, in an illustration, the reference number 2X 37 means that two of the parts identified by reference number 37 are indicated.

List of Abbreviations

AR: as required

ASM: assembly

BBC: blade brake control

BHTF: button head thread forming

CARR: carriage

CCW: counter clockwise

CW: clockwise

DEG: degrees

DPA: Dual Point Adjustment

ECM: electronic control module

EXT: external

FH: flat head

GA: gauge

HD: heavy-duty

HF: hex flange

HH: hex head

HHF: hex head flange

HHFTF: hex head flange thread forming

HJ: hex jam

HLH: hex lag head

HOC: height-of-cut

HSBH: hex socket button head

HSFH: hex socket flat head

HSH: hex socket head

HWH: hex washer head

HWHTF: hex washer head thread forming

HYD: hydraulic

LH: left hand

LP: Liquid Propane

NI: nylon insert

NPTF: national pipe thread fine

PFH: phillips flat head

PPH: phillips pan head

PPHTF: phillips pan head thread forming

PRH: phillips round head

PTH: phillips truss head

PTO: power-take-off

RH: right hand

ROPS: roll-over protection system

RRB: rear roller brush

SFH: slotted fillister head

SHH: slotted hex head

SHWH: slotted hex washer head

SPH: slotted pan head

SQH: square head

SRH: slotted round head

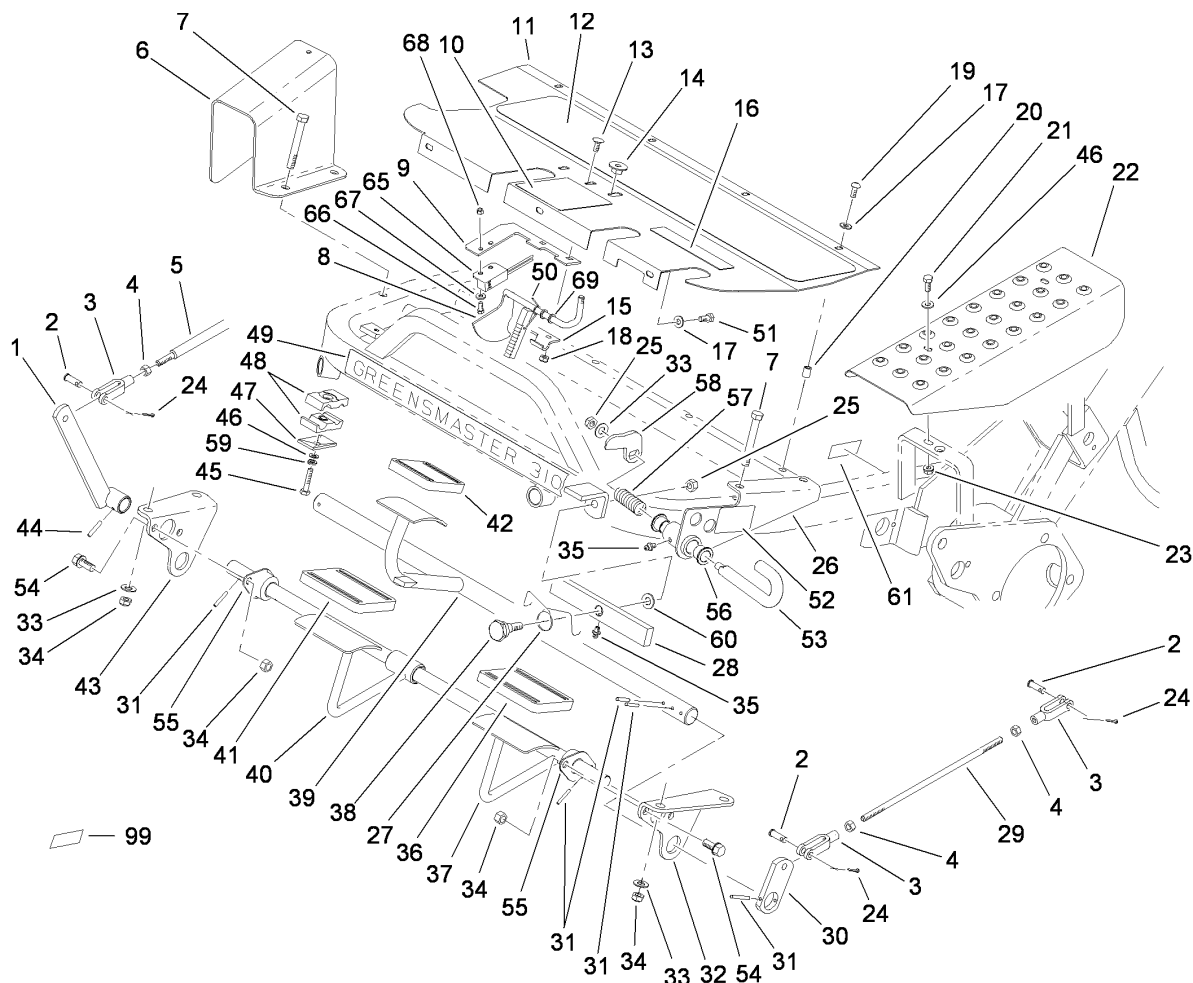
STD: standard

TAP: self tapping

TTH: torx truss head

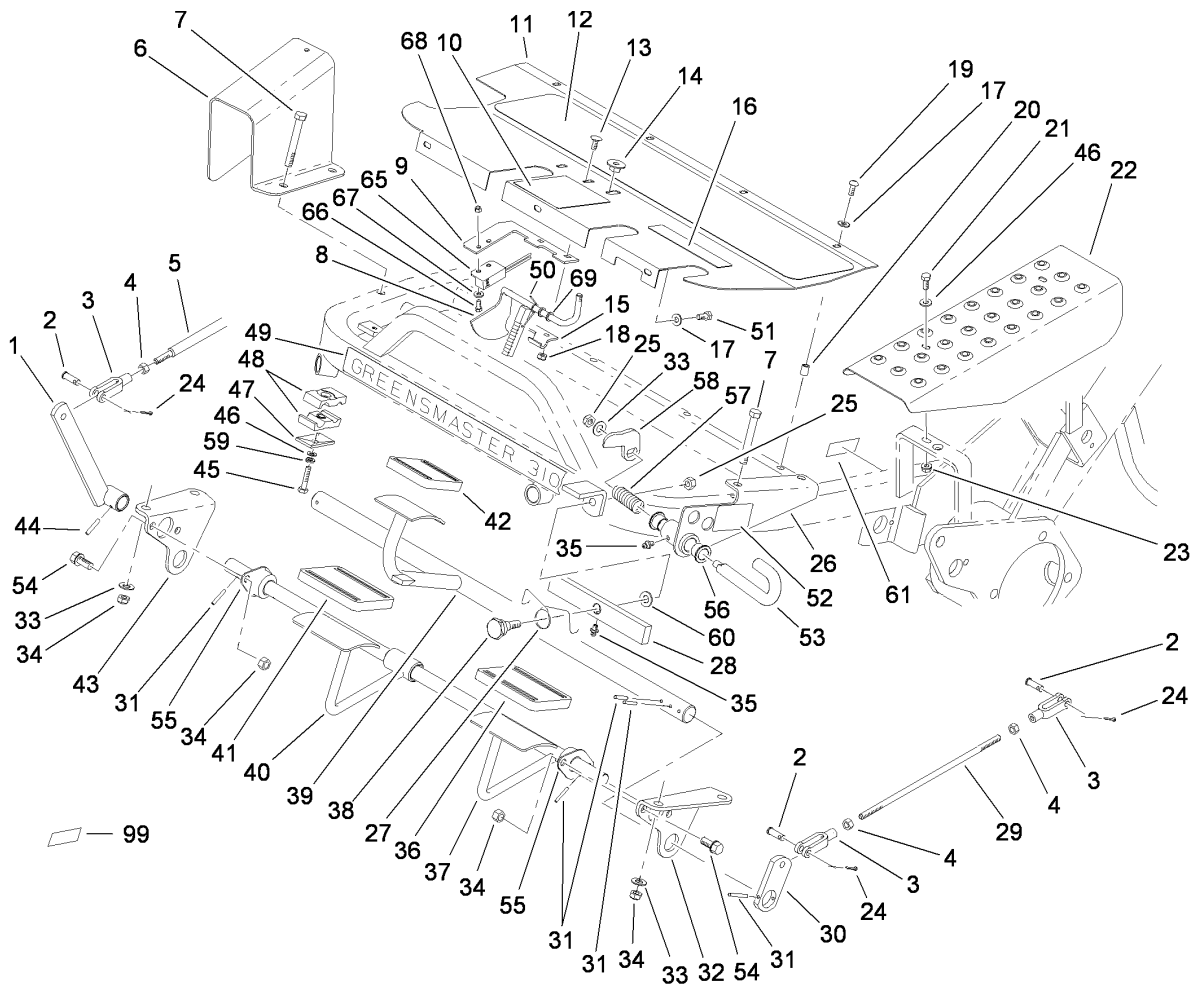
Contents

Control Pedal Assembly	4
Traction Control Assembly	6
Front Wheel and Brake Assembly	7
Hydraulic Motor Assembly (CCW) No. 110-4015	8
Hydraulic Motor Assembly (CW) No. 110-4016	9
Steering Arm Assembly	10
Steering Valve Assembly No. 114-4671	11
Right Hand Pull Frame Assembly	12
Hydraulic Cylinder Assembly No. 106-9066	13
Left Hand Pull Frame Assembly	14
Rear Pull Frame Assembly	15
Hydraulic Cylinder Assembly No. 106-9064	16
Seat Assembly	17
Control Valve Installation Assembly	18
Control Valve Assembly No. 105-3800	20
Section 1 Assembly No. 105-3801	21
Section 2 Assembly No. 105-3802	22
Section 3 Assembly No. 105-3803	23
Section 4 Assembly No. 105-3804	24
Section 5 Assembly No. 93-1386	25
Engine Installation Assembly	26
Hydraulic Pump Installation Assembly	27
Gear Pump Assembly No. 107-2567	28
Frame Assembly	29
Rear Wheel Assembly	30
Hydraulic Cylinder Assembly No. 112-0296	31
Control Panel Assembly	32
Hydraulic Reservoir Assembly	33
Fuel Tank Assembly	34
Reel Motor Installation Assembly	35
Hydraulic Motor Assembly No. 105-9770	36
Cylinder Assembly Briggs and Stratton 356447-0200-E1	37
Crankcase Assembly Briggs and Stratton 356447-0200-E1	38
Crankshaft Assembly Briggs and Stratton 356447-0200-E1	39
Cylinder Head Assembly Briggs and Stratton 356447-0200-E1	40
Oil Filter, Tube and Pump Assembly Briggs and Stratton 356447-0200-E1	41
Carburetor Assembly Briggs and Stratton 356447-0200-E1	42
Governor Assembly Briggs and Stratton 356447-0200-E1	43
Blower Housing Assembly Briggs and Stratton 356447-0200-E1	44
Air Cleaner Assembly Briggs and Stratton 356447-0200-E1	45
Blower Housing Assembly Briggs and Stratton 356447-0200-E1	46
Starter Assembly Briggs and Stratton 356447-0200-E1	47
358 Engine Gasket Set Briggs and Stratton 356447-0200-E1	48
Attachments and Accessories	49



Control Pedal Assembly

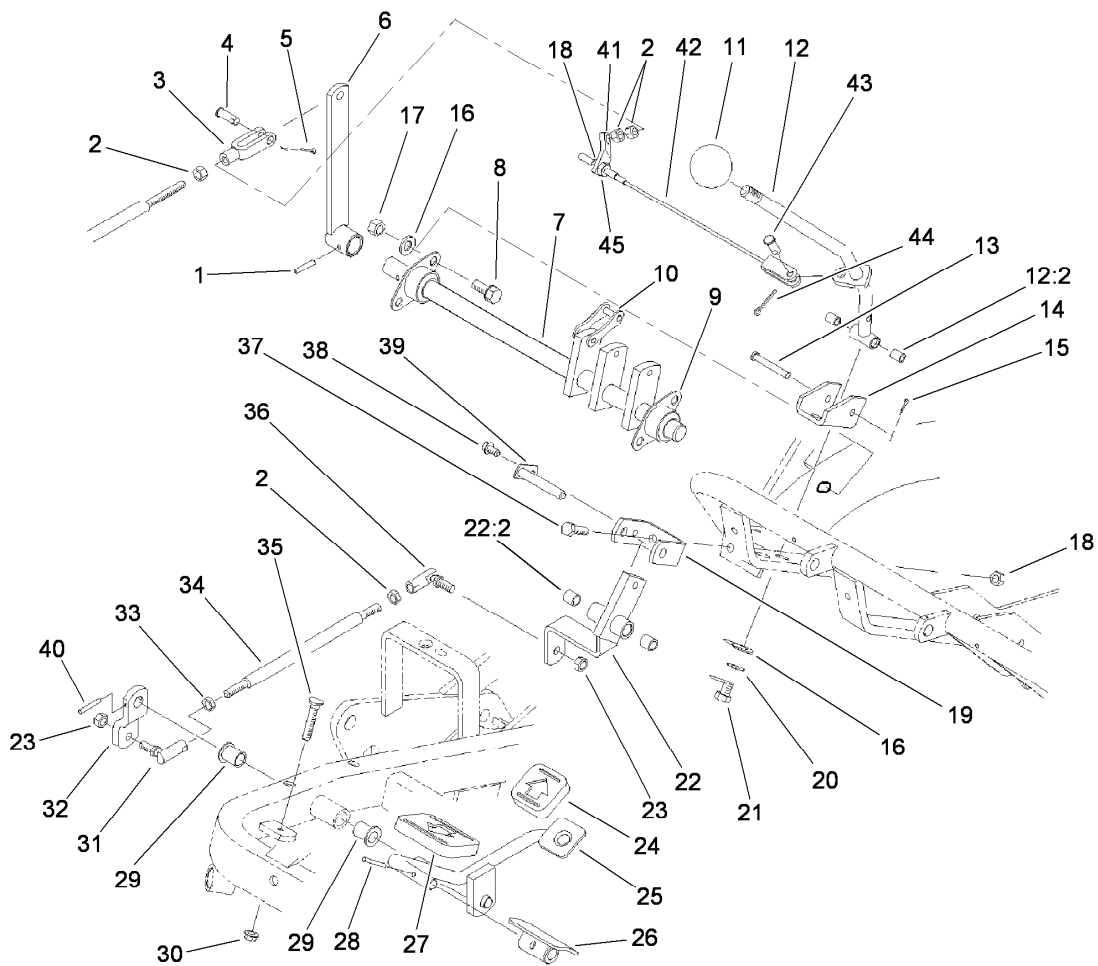
Ref.	Part Number	Qty.	Description	Ref.	Part Number	Qty.	Description
1	49-6200-01	1	Lever-Cutting	29	27-2270	2	Rod-Adjustment, Brake
2	283-61	5	Pin-Yoke	30	112-9180	2	Strap-Shaft, Brake
3	282-2	5	Yoke	31	32121-35	8	Pin-Roll
4	3220-2	5	Nut-Jam	32	88-9640-01	1	Bracket-Lift Pivot, LH
5	49-5430	1	Rod-Control	33	3256-24	5	Washer-Flat
6	49-6110-01	1	Guard-Rod, Transmission	34	3296-59	8	Nut-Lock, NI
7	323-13	4	Screw-HH	35	302-5	2	Fitting-Grease
8	100-9819	1	Latch ASM	36	93-7631	1	Pad-Foot, Lift
9	100-9821	1	Plate-Switch, Reed	37	106-6395	1	Cutting Control Shaft ASM
10	93-8062	1	Decal-Brake, Parking	38	83-2590	1	Bolt-Shoulder, Pivot
11	83-0640-01	1	Plate-Footrest	39	83-0160	1	Shaft-Brake
12	49-6120	1	Pad-Footrest	40	106-6394	1	Mow Pedal ASM
13	3229-11	2	Screw-CARR	41	93-7630	1	Pad-Foot
14	32141-111	1	Nut-Adjusting	42	93-7629	1	Pad-Foot, Brake
15	95-1629	1	Hinge-Lower	43	88-9630-01	1	Bracket-Lift Pivot, RH
16	93-8075	1	Decal-Mow/Lift	44	32121-6	1	Pin-Roll, Slotted
17	3256-1	7	Washer-Flat	45	321-11	1	Screw-HH
18	3296-16	2	Nut-Lock, NI	46	3256-22	3	Washer-Flat
19	3274-31	4	Screw-HSBH	47	69-9760	1	Coverplate
20	32148-6	8	Insert-Nut	48	56-7970	2	Clamp-Tube
21	321-4	2	Screw-HH	49	88-9620	1	Decal
22	83-0200-01	1	Plate-Cover, LH	50	10-8140	1	Spring-Latch, Brake
23	32128-33	2	Nut-HF	51	321-3	3	Screw-HH
24	3272-6	5	Pin-Cotter	52	93-9898	1	Decal-Lock
25	3296-39	2	Nut-Lock, NI	53	93-9903	1	Pin-Mow, Lockout
26	93-9901-01	1	Bracket-Lockout, Mow	54	3234-1	4	Screw-HHF
27	83-0080	1	Spring-Pivot, Lift	55	27-2320	2	Bearing
28	106-6396	1	Lift-Pivot	56	3-1506	2	Bushing



Control Pedal Assembly (continued)

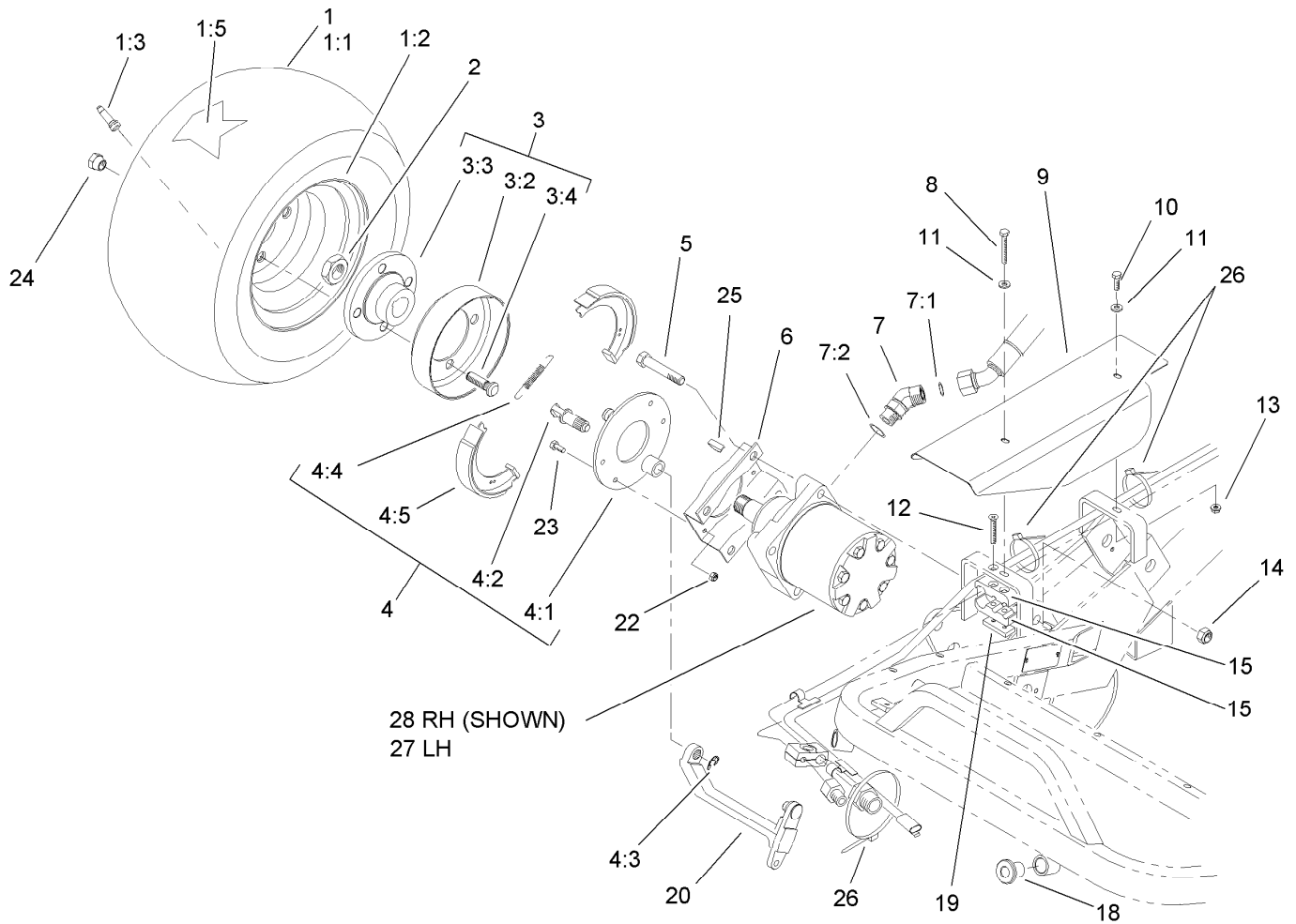
<i>Ref.</i>	<i>Part Number</i>	<i>Qty.</i>	<i>Description</i>
57	76-0410	1	Spring-Compression
58	93-9904	1	Arm-Mow, Lockout
59	3253-3	1	Washer-Lock
60	80-7730	1	Spacer
61	115-3251	1	Decal-Regulatory
65	104-2057	1	Sensor

<i>Ref.</i>	<i>Part Number</i>	<i>Qty.</i>	<i>Description</i>
66	33113-016	2	Screw-HH
67	33093-00	2	Washer-Flat
68	33023-00	2	Nut-Lock
69	75-5470	2	Spacer-Bearing
99	93-6691	3	Decal-Bolt, Eccentric



Traction Control Assembly

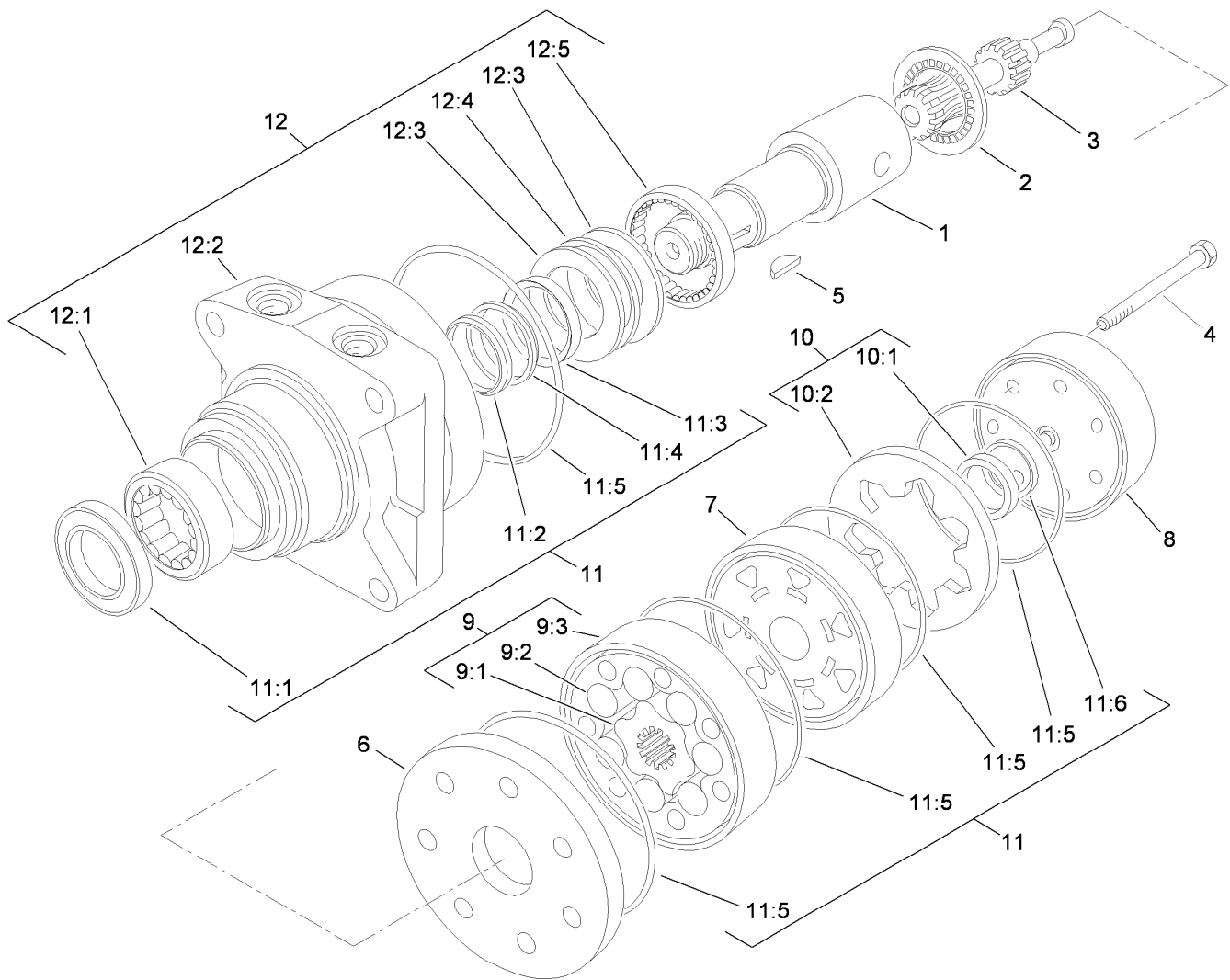
<i>Ref.</i>	<i>Part Number</i>	<i>Qty.</i>	<i>Description</i>	<i>Ref.</i>	<i>Part Number</i>	<i>Qty.</i>	<i>Description</i>
1	32121-6	1	Pin-Roll, Slotted	23	3296-4	2	Nut-Lock
2	3220-2	4	Nut-Jam	24	74-9110	1	Pad-Pedal, Reverse
3	282-2	1	Yoke	25	83-0540-01	1	Traction Pedal ASM
4	283-61	1	Pin-Yoke	26	49-6440-03	1	Pedal-Forward
5	3272-6	1	Pin-Cotter	27	74-9100	1	Pad-Pedal, Forward
6	47-5320-01	1	Lever	28	32121-45	1	Pin-Spring
7	44-0870	1	Cam Shaft ASM	29	256-155	2	Bushing-Flange
8	3234-1	4	Screw-HHF	30	32128-20	1	Nut-HF
9	27-2320	2	Bearing	31	2411-42	1	Joint-Ball, LH
10	57-6220	5	Link-Connecting	32	83-0630	1	Arm-Pivot, Traction
11	233-48	1	Knob	33	3220-20	1	Nut-Jam
12	93-9934	1	Traction Handle ASM	34	83-0580	1	Rod-Control, Traction
12:2	256-251	2	Bushing	35	17-9420	1	Screw-Handle
13	283-57	1	Pin-Clevis	36	2411-43	1	Joint-Ball
14	49-6220	1	Bracket-Arm, Control	37	322-5	2	Screw-HH
15	3272-4	1	Pin-Cotter	38	12-3270	1	Screw
16	3256-24	6	Washer-Flat	39	49-6290	1	Pivot Shaft ASM
17	3296-59	4	Nut-Lock, NI	40	32121-51	1	Pin-Roll
18	3296-29	3	Nut-Lock, NI	41	93-9936	1	Bracket-Return, Traction
19	49-6250	1	Bracket-Pivot	42	93-9937	1	Traction Cable ASM
20	3254-6	2	Washer-Lock, Internal	43	283-62	1	Pin-Clevis
21	3211-2	2	Screw-HH	44	3272-10	1	Pin-Cotter
22	49-6260	1	Pivot ASM	45	3217-6	1	Nut-Hex
22:2	256-2	2	Bushing				



Front Wheel and Brake Assembly

Ref.	Part Number	Qty.	Description	Ref.	Part Number	Qty.	Description
1		2	Wheel And Tire ASM ●	7:2	237-80	1	O-Ring
1:1	28-3680	1	Tire	8	321-11	1	Screw-HH
1:2	217-60	1	Rim	9	83-0190-01	1	Cover-RH
1:3	232-27	1	Stem-Valve	10	321-4	1	Screw-HH
1:5	232-37	1	Tube	11	3256-22	2	Washer-Flat
2	26-3790	2	Nut-Lock	12	32108-100	1	Screw-FH
3	10-6821	2	Brake Drum ASM	13	32128-33	1	Nut-HF
3:2	10-6850	1	Drum-Brake	14	3296-23	8	Nut-Lock, NI
3:3	10-6870-03	1	Hub-Wheel	15	57-6140	2	Clamp-Tube, Half
3:4	85-6540	4	Stud-Drive	18	83-1700	2	Bushing-Flange
4	104-7705	2	Brake ASM	19	83-1220	1	Plate-Clamp
4:1	70-9870	1	Plate-Backing	20	93-2096	2	Lever-Brake
4:2	104-7707	1	Shaft-Cam, Brake	22	3296-42	8	Nut-Lock, NI
4:3	104-7706	1	E-Ring, Bowed	23	321-5	8	Screw-HH
4:4	70-9880	2	Spring-Return	24	242-50	8	Nut-Lug
4:5	70-9840	2	Shoe-Brake	25	3257-42	2	Key-Woodruff
5	325-11	8	Screw-HH	26	3290-378	3	Tie-Cable
6	84-2000-03	2	Bracket-Brake	27	110-4015	1	HYD Motor ASM (CCW)
7	340-14	4	Fitting-HYD, 45 DEG	28	110-4016	1	HYD Motor ASM (CW)
7:1	237-65	1	O-Ring				

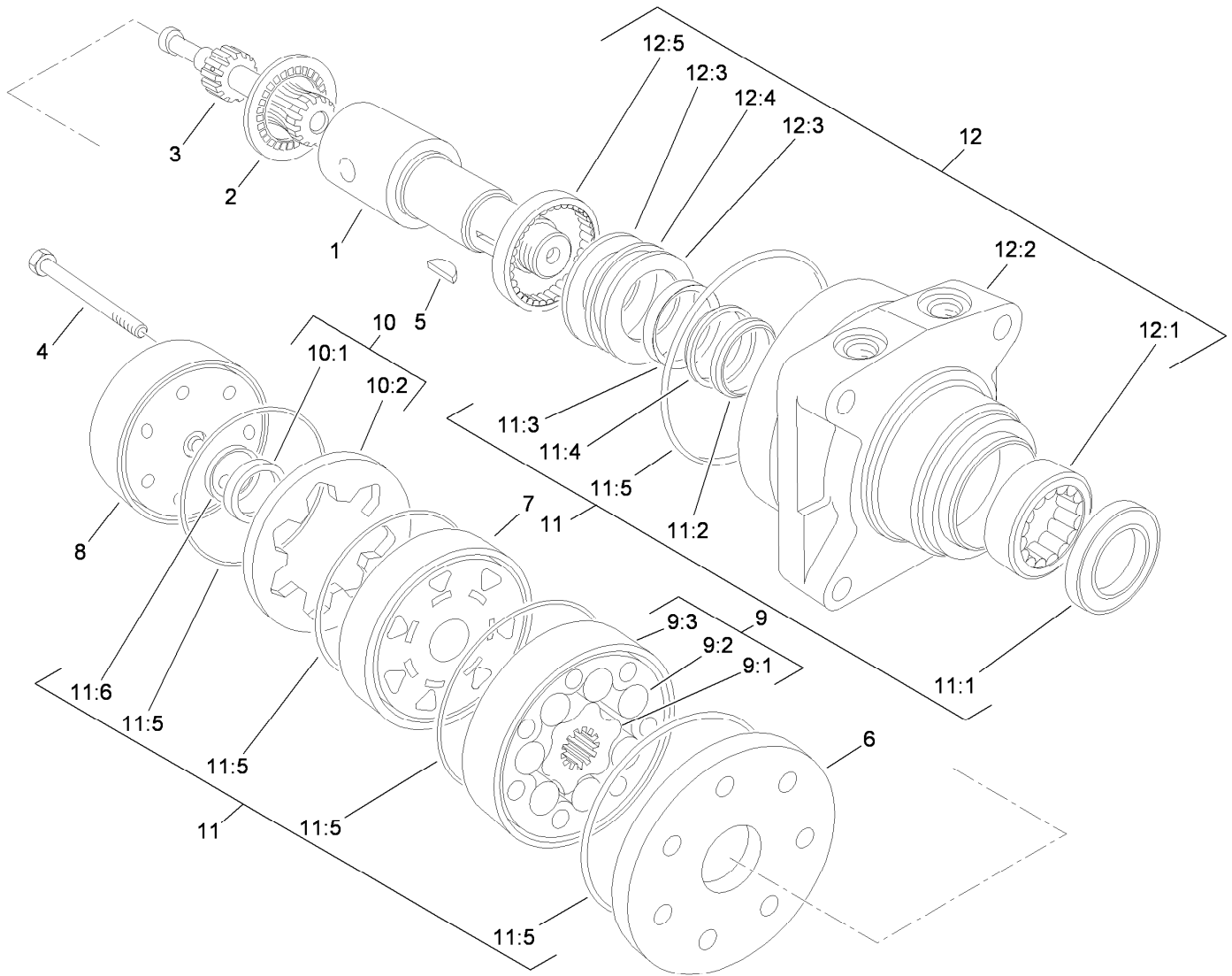
● Not serviced separately



Hydraulic Motor Assembly (CCW) No. 110-4015

Ref.	Part Number	Qty.	Description	Ref.	Part Number	Qty.	Description
1	76-0860	1	Shaft-Coupling	10:2		1	Ring-Commutator ●
2	76-0850	1	Bearing-Thrust	11	94-8178	1	Seal Kit
3	92-9761	1	Link-Drive	11:1		1	Seal-Dirt And Water ●
4	92-9762	7	Screw-HH	11:2		1	Backup-Ring ●
5	3257-42	1	Key-Woodruff	11:3		1	Seal-Shaft ●
6	92-9754	1	Plate-Wear	11:4		1	Washer-Backup ●
7	76-0840	1	Manifold	11:5		5	Seal-Square, Ring (Inner) ●
8	76-0940	1	End Cover ASM	11:6		1	Seal-Commutator ●
9	92-9763	1	Rotor Set	12	76-0810	1	Housing ASM
9:1		1	Rotor ●	12:1		1	Bearing ●
9:2		1	Vane ●	12:2		1	Housing ●
9:3		1	Stator ●	12:3		2	Washer-Thrust ●
10	76-0880	1	Commutator ASM	12:4		1	Bearing-Thrust ●
10:1		1	Commutator ●	12:5		1	Bearing ●

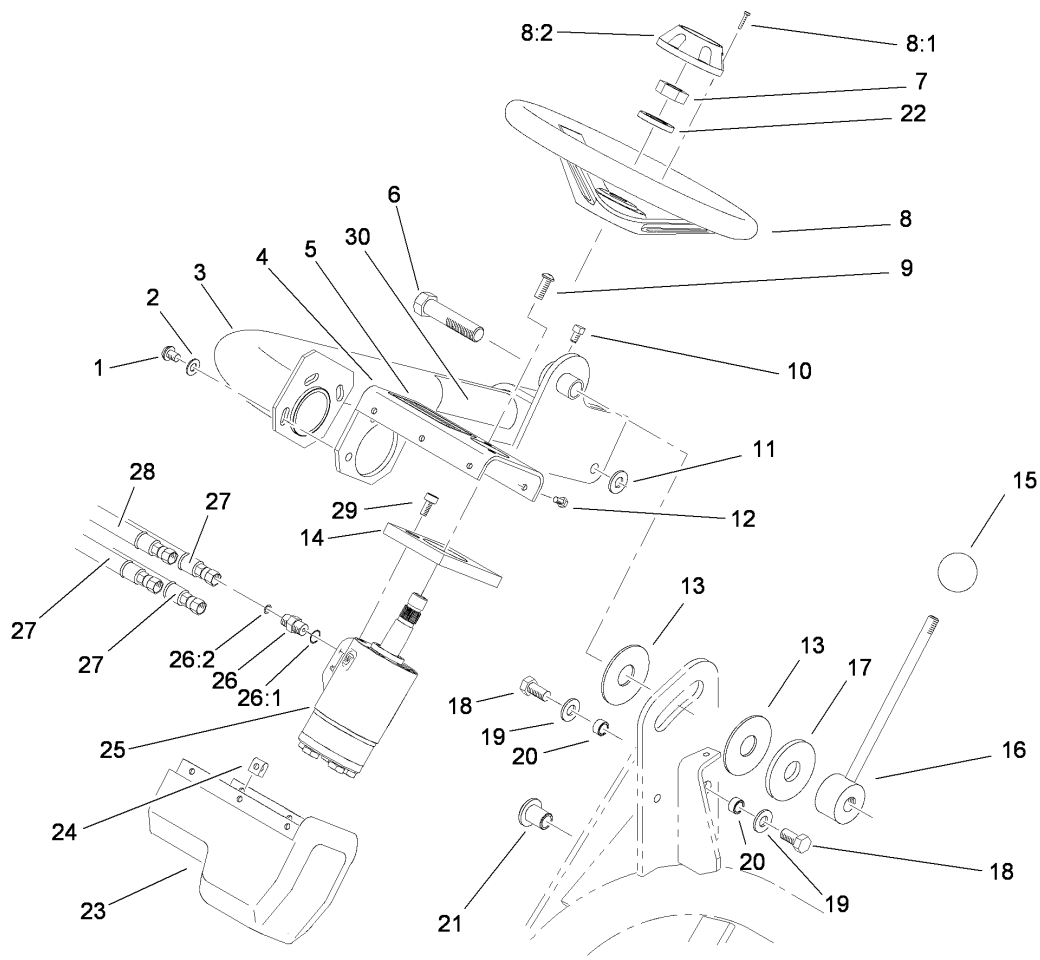
● Not serviced separately



Hydraulic Motor Assembly (CW) No. 110-4016

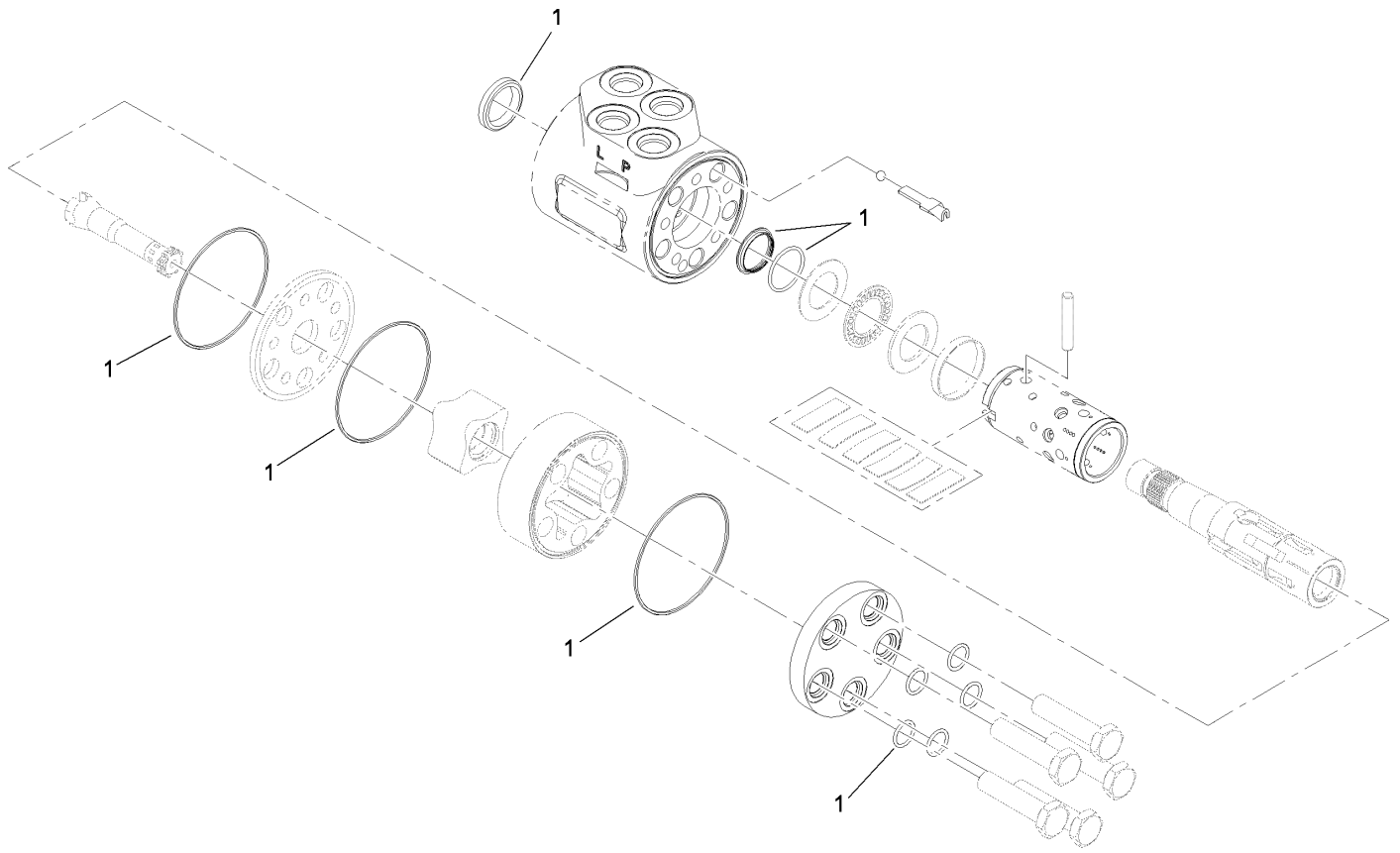
Ref.	Part Number	Qty.	Description	Ref.	Part Number	Qty.	Description
1	76-0860	1	Shaft-Coupling	10:2		1	Ring-Commutator ●
2	76-0850	1	Bearing-Thrust	11	94-8178	1	Seal Kit
3	92-9761	1	Link-Drive	11:1		1	Seal-Dirt And Water ●
4	92-9762	7	Screw-HH	11:2		1	Backup-Ring ●
5	3257-42	1	Key-Woodruff	11:3		1	Seal-Shaft ●
6	92-9754	1	Plate-Wear	11:4		1	Washer-Backup ●
7	76-0840	1	Manifold	11:5		5	Seal-Square, Ring (Inner) ●
8	76-0940	1	End Cover ASM	11:6		1	Seal-Commutator ●
9	92-9763	1	Rotor Set	12	76-0810	1	Housing ASM
9:1		1	Rotor ●	12:1		1	Bearing ●
9:2		1	Vane ●	12:2		1	Housing ●
9:3		1	Stator ●	12:3		2	Washer-Thrust ●
10	76-0880	1	Commutator ASM	12:4		1	Bearing-Thrust ●
10:1		1	Commutator ●	12:5		1	Bearing ●

● Not serviced separately



Steering Arm Assembly

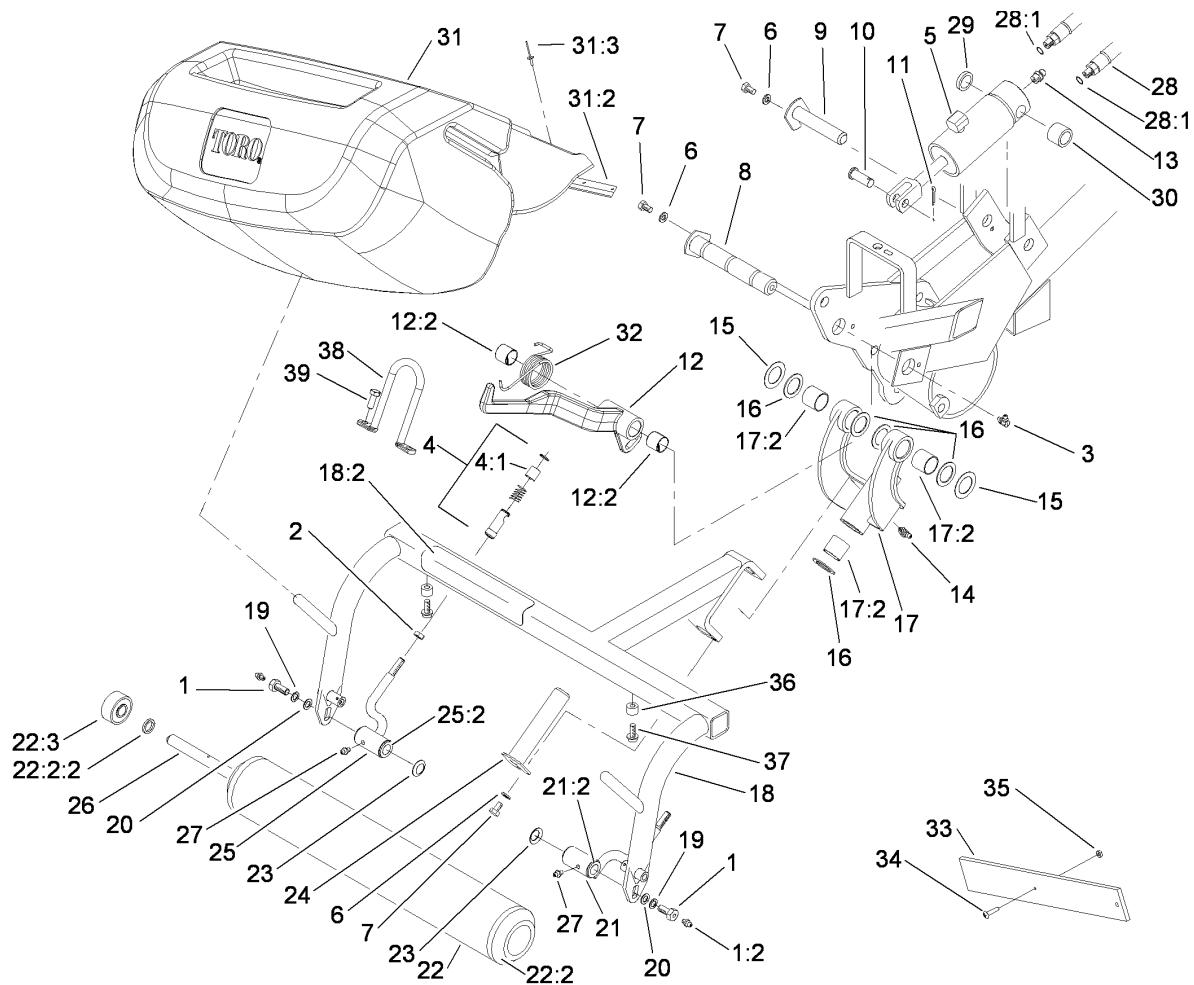
Ref.	Part Number	Qty.	Description	Ref.	Part Number	Qty.	Description
1	3274-80	3	Screw-HH	16	83-0700-03	1	Handle-Lockup
2	3256-80	3	Washer-Flat	17	83-0760	1	Spacer-Plate, Lockup
3	107-9542-01	1	Arm-Steering	18	325-4	2	Screw-HH
4	83-0780-03	1	Support-Valve, Steering	19	3256-26	2	Washer-Flat
5	104-2053	1	Decal-Warning	20	47-2890	2	Bushing
5	93-8063	1	Decal-Caution, Ce	21	83-1700	1	Bushing-Flange
6	83-0750	1	Capscrew-HH, LH Thread	22	3256-27	1	Washer-Flat
7	110-8816	1	Nut-Hex	23	83-0810	1	Cover-Steering
8	75-0560	1	Wheel-Steering	24	3290-277	6	Nut-Speed
8:1	32144-21	1	Screw	25	114-4671	1	Steering Valve ASM
8:2	68-5140	1	Cap-Wheel, Steering	26	340-1	4	Adapter
9	3274-63	2	Screw-HSBH	26:1	237-21	1	O-Ring
10	3242-2	1	Screw-SQH	26:2	237-42	1	O-Ring
11	65-6390	1	Washer-Thrust, Plain	27	83-1350	3	Hose-HYD
12	3274-39	6	Screw-HSBH	28	83-1360	1	Hose-HYD
13	83-0740	2	Disc-Friction	29	105-2409	2	Screw-HSH
14	115-3254	1	Plate-Mount	30	93-8068	1	Decal-Arm, Steering
15	233-48	1	Knob				



Steering Valve Assembly No. 114-4671

<i>Ref.</i>	<i>Part Number</i>	<i>Qty.</i>	<i>Description</i>
1	106-6716	1	Seal Kit

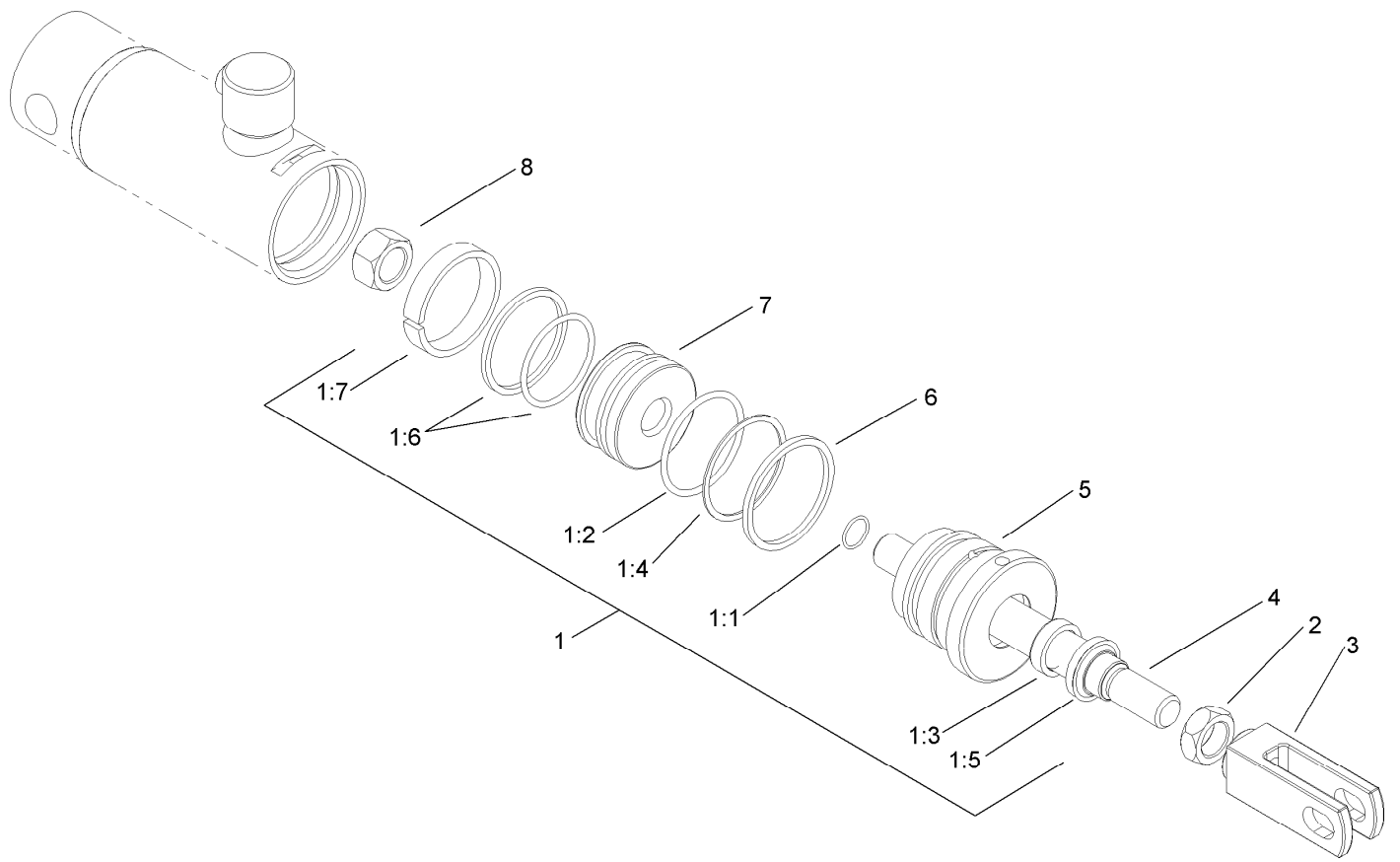
● Not serviced separately



Right Hand Pull Frame Assembly

Ref.	Part Number	Qty.	Description	Ref.	Part Number	Qty.	Description
1	11-0160	2	Roller Shaft Screw ASM	21:2	3-1506	2	Bushing
1:2	302-5	1	Fitting-Grease	22	99-4277	1	Roller ASM
2	3220-3	2	Nut-HJ	22:2		2	Hub Yoke ASM ●
3	302-33	1	Fitting-Grease	22:2:2	253-83	1	Seal-Oil
4	99-1460	2	Ball Joint Receiver ASM	22:3	251-141	2	Bearing-Ball
4:1	99-1461	1	Sleeve-Joint, Ball	23	3290-317	2	Washer-Spring
5	106-9066	1	HYD Cylinder ASM	24	10-6090	1	Pin-Pivot
6	3256-23	3	Washer-Flat	25	92-0585	1	Pull Arm ASM
7	322-1	3	Screw-HH	25:2	3-1506	2	Bushing
8	114-4683	1	Hinge Pin ASM	26	21-8470	1	Shaft-Roller
9	10-6060	1	Pin-Pivot	27	302-5	2	Fitting-Grease
10	283-8	1	Pin-Clevis	28	92-9767	2	Hose
11	3272-11	1	Pin-Cotter	28:1	237-78	1	O-Ring
12	107-2599	1	RH Lift Arm ASM	29	105-3828	1	Spacer
12:2	3-0348	2	Bushing	30	74-3730	1	Spacer-Spindle, Rear
13	302-2	1	Fitting-Grease	31	108-8642	3	Grass Basket ASM
14	302-60	1	Fitting-Grease	31:2	104-2607	1	Strip-Basket
15	5-1226	2	Washer	31:3	3290-382	8	Rivet-Pop
16	10-8110	6	Washer-Thrust	32	110-3951	1	Spring-Torsion, RH
17	10-7820	1	Pivot Hinge ASM	33	65-8320	1	Bar-Gauge
17:2	3-0348	4	Bushing	34	32122-22	1	Screw-HH
18	112-0282	1	RH Pull Frame ASM	35	3219-14	1	Nut-Hex
18:2	93-6688	1	Decal-Danger	36	94-4548	2	Bumper-Recessed
19	3253-21	2	Washer-Lock	37	32104-95	2	Screw-HWH
20	3256-24	2	Washer-Flat	38	105-5740	1	Hook-Lift
21	92-0586	1	Pull Arm ASM	39	33115-025	2	Screw-HH

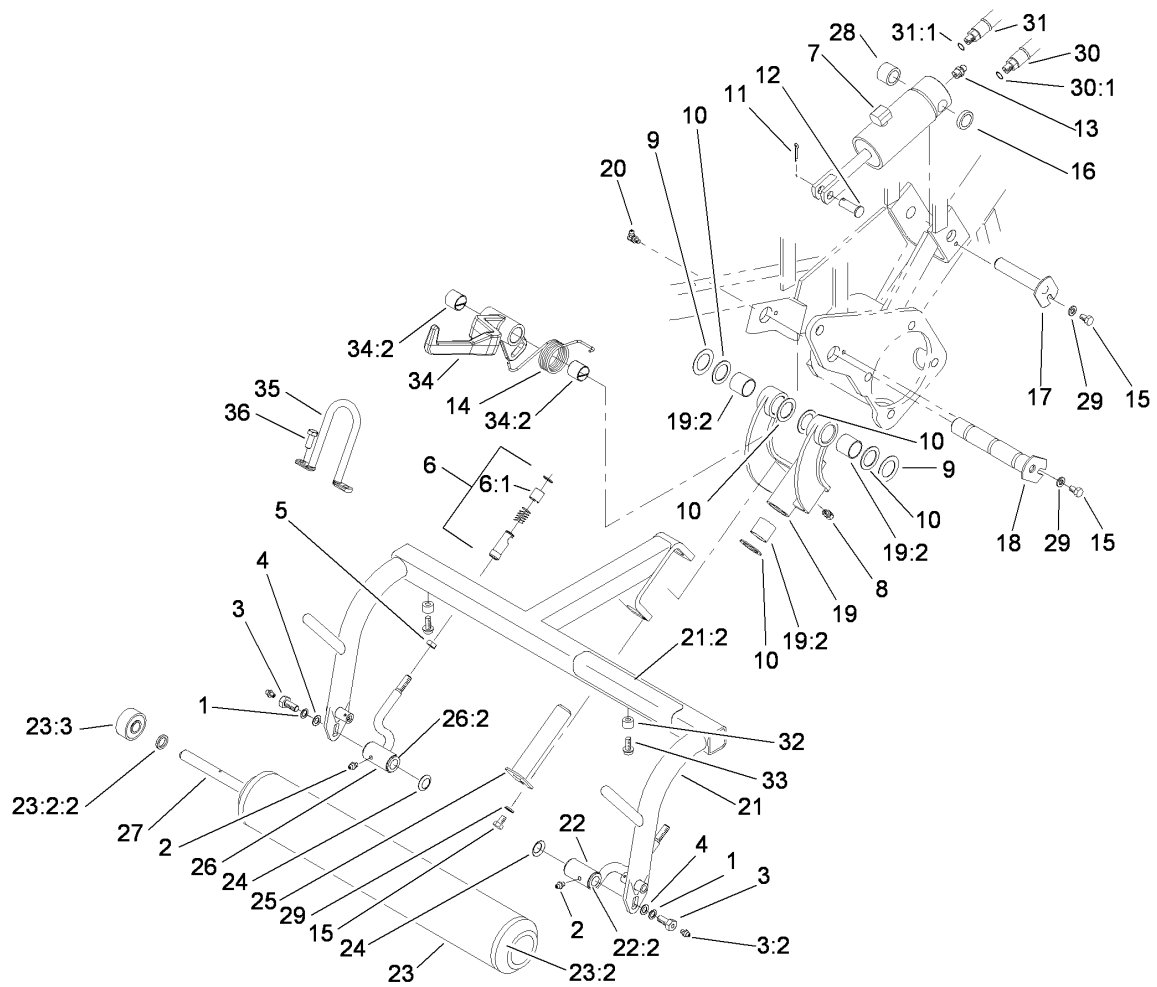
● Not serviced separately



Hydraulic Cylinder Assembly No. 106-9066

<i>Ref.</i>	<i>Part Number</i>	<i>Qty.</i>	<i>Description</i>
1	107-2564	1	Seal Kit
1:1		1	O-Ring ●
1:2		1	O-Ring ●
1:3		1	Seal ●
1:4		1	Back-Up ●
1:5		1	Wiper ●
1:6		1	Seal-W/Out Ring ●
1:7		1	Ring-Wear ●
2	3220-6	1	Nut-Jam
3	106-9065	1	Clevis-Cylinder
4		1	Rod ●
5		1	Head ●
6		1	Ring-Retaining ●
7		1	Piston ●
8		1	Locknut ●

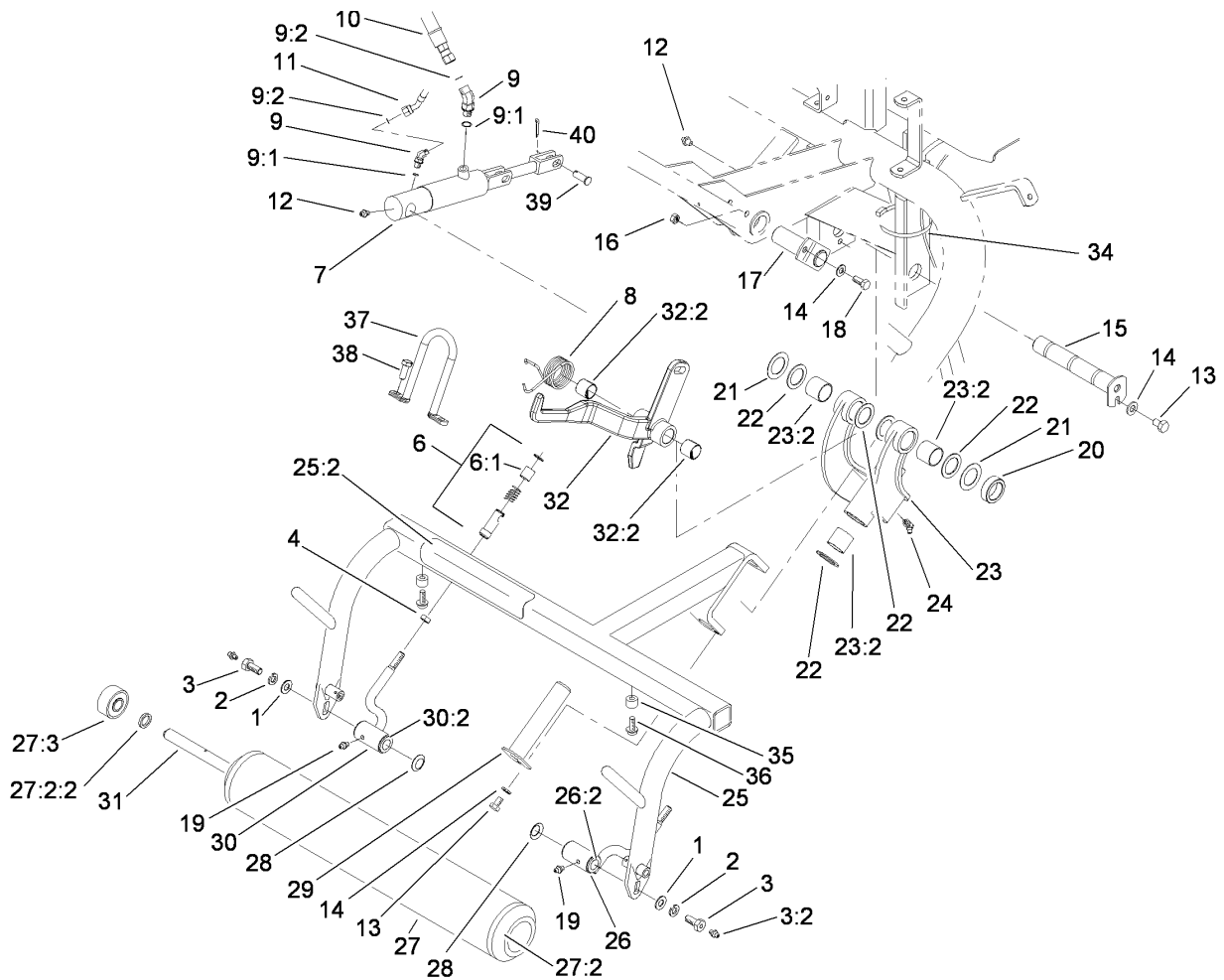
● Not serviced separately



Left Hand Pull Frame Assembly

Ref.	Part Number	Qty.	Description	Ref.	Part Number	Qty.	Description
1	3253-21	2	Washer-Lock	21:2	93-6688	1	Decal-Danger
2	302-5	2	Fitting-Grease	22	92-0586	1	Pull Arm ASM
3	11-0160	2	Roller Shaft Screw ASM	22:2	3-1506	2	Bushing
3:2	302-5	1	Fitting-Grease	23	99-4277	1	Roller ASM
4	3256-24	2	Washer-Flat	23:2		2	Hub Yoke ASM ●
5	3220-3	2	Nut-HJ	23:2:2	253-83	1	Seal-Oil
6	99-1460	2	Ball Joint Receiver ASM	23:3	251-141	2	Bearing-Ball
6:1	99-1461	1	Sleeve-Joint, Ball	24	3290-317	2	Washer-Spring
7	106-9066	1	HYD Cylinder ASM	25	10-6090	1	Pin-Pivot
8	302-60	1	Fitting-Grease	26	92-0585	1	Pull Arm ASM
9	5-1226	2	Washer	26:2	3-1506	2	Bushing
10	10-8110	6	Washer-Thrust	27	21-8470	1	Shaft-Roller
11	3272-11	1	Pin-Cotter	28	74-3730	1	Spacer-Spindle, Rear
12	283-8	1	Pin-Clevis	29	3256-23	3	Washer-Flat
13	302-2	1	Fitting-Grease	30	83-1690	1	Hose-HYD
14	110-3952	1	Spring-Torsion, LH	30:1	237-78	1	O-Ring
15	322-1	3	Screw-HH	31	63-3850	1	Hose ASM
16	105-3828	1	Spacer	31:1	237-78	1	O-Ring
17	10-6060	1	Pin-Pivot	32	94-4548	2	Bumper-Recessed
18	114-4683	1	Hinge Pin ASM	33	32104-95	2	Screw-HWH
19	10-7820	1	Pivot Hinge ASM	34	107-2598	1	LH Lift Arm ASM
19:2	3-0348	4	Bushing	34:2	3-0348	2	Bushing
20	302-33	1	Fitting-Grease	35	105-5740	1	Hook-Lift
21	112-0283	1	LH Pull Frame ASM	36	33115-025	2	Screw-HH

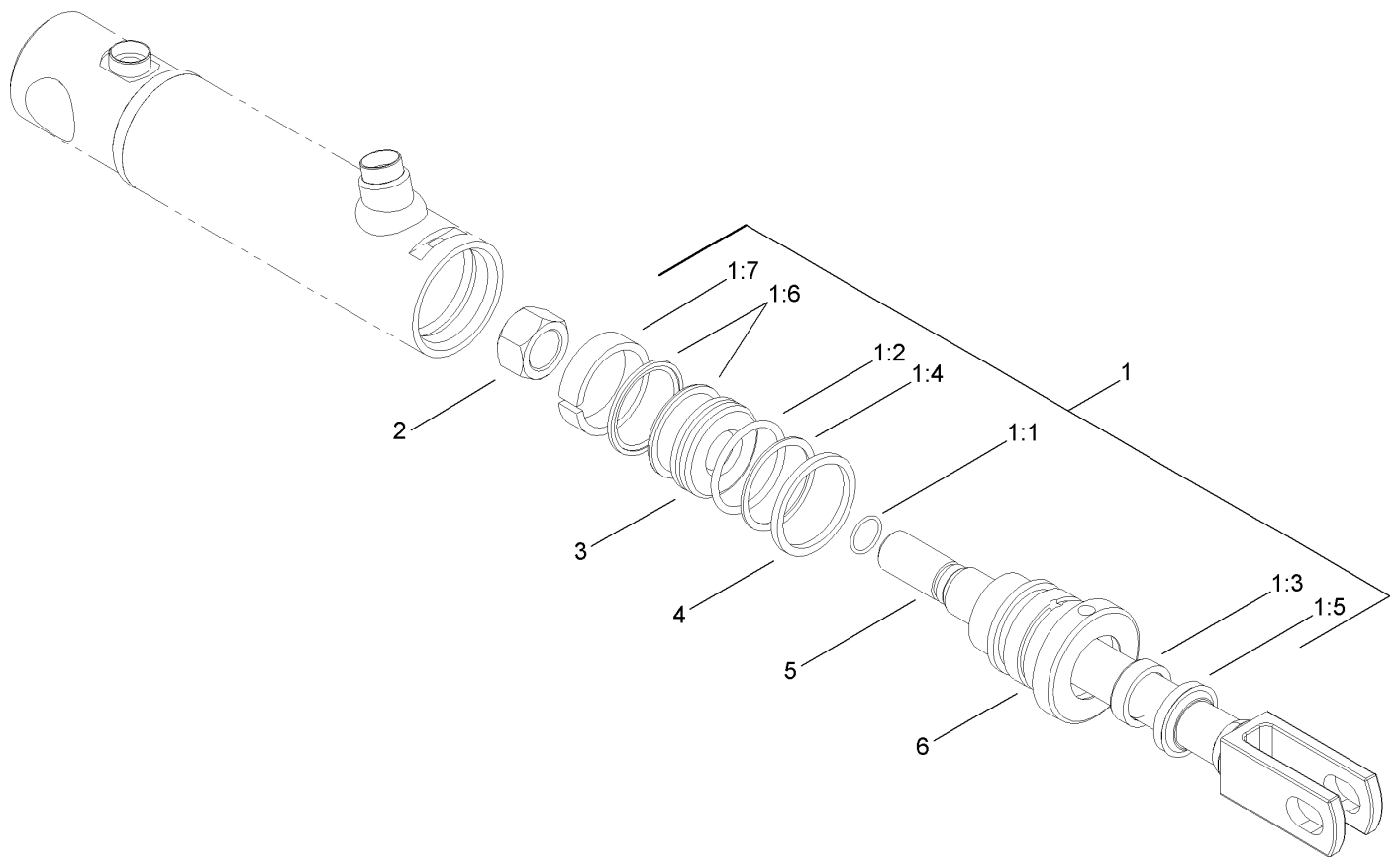
● Not serviced separately



Rear Pull Frame Assembly

Ref.	Part Number	Qty.	Description	Ref.	Part Number	Qty.	Description
1	3256-24	2	Washer-Flat	23	105-0452	1	Pivot Hinge ASM
2	3253-21	2	Washer-Lock	23:2	3-0348	4	Bushing
3	11-0160	2	Roller Shaft Screw ASM	24	302-60	1	Fitting-Grease
3:2	302-5	1	Fitting-Grease	25	112-0284	1	Rear Pull Frame ASM
4	3220-3	2	Nut-HJ	25:2	93-6688	1	Decal-Danger
6	99-1460	2	Ball Joint Receiver ASM	26	92-0586	1	Pull Arm ASM
6:1	99-1461	1	Sleeve-Joint, Ball	26:2	3-1506	2	Bushing
7	106-9064	1	HYD Cylinder ASM	27	99-4277	1	Roller ASM
8	110-3953	1	Spring-Torsion, Center	27:2	253-83	1	Seal-Oil
9	340-103	2	Fitting-HYD, 45 DEG	27:2:2	251-141	2	Bearing-Ball
9:1	237-78	1	O-Ring	28	3290-317	2	Washer-Spring
9:2	237-21	1	O-Ring	29	10-6090	1	Pin-Pivot
10	83-1680	1	Hose-HYD	30	92-0585	1	Pull Arm ASM
11	88-9700	1	Hose-HYD	30:2	3-1506	2	Bushing
12	302-2	2	Fitting-Grease	31	21-8470	1	Shaft-Roller
13	322-1	2	Screw-HH	32	110-3955	1	Center Lift Arm ASM
14	3256-23	3	Washer-Flat	32:2	3-0348	2	Bushing
15	114-4685	1	Hinge Pin ASM	34	3290-379	1	Tie-Cable
16	3296-29	1	Nut-Lock, NI	35	94-4548	2	Bumper-Recessed
17	68-5560	1	Pin-Cylinder, Pivot	36	32104-95	2	Screw-HWH
18	322-3	1	Screw-HH	37	105-5740	1	Hook-Lift
19	302-5	2	Fitting-Grease	38	33115-025	2	Screw-HH
20	93-2384	1	Spacer-Carrier	39	283-8	1	Pin-Clevis
21	5-1226	2	Washer	40	3272-11	1	Pin-Cotter
22	10-8110	6	Washer-Thrust				

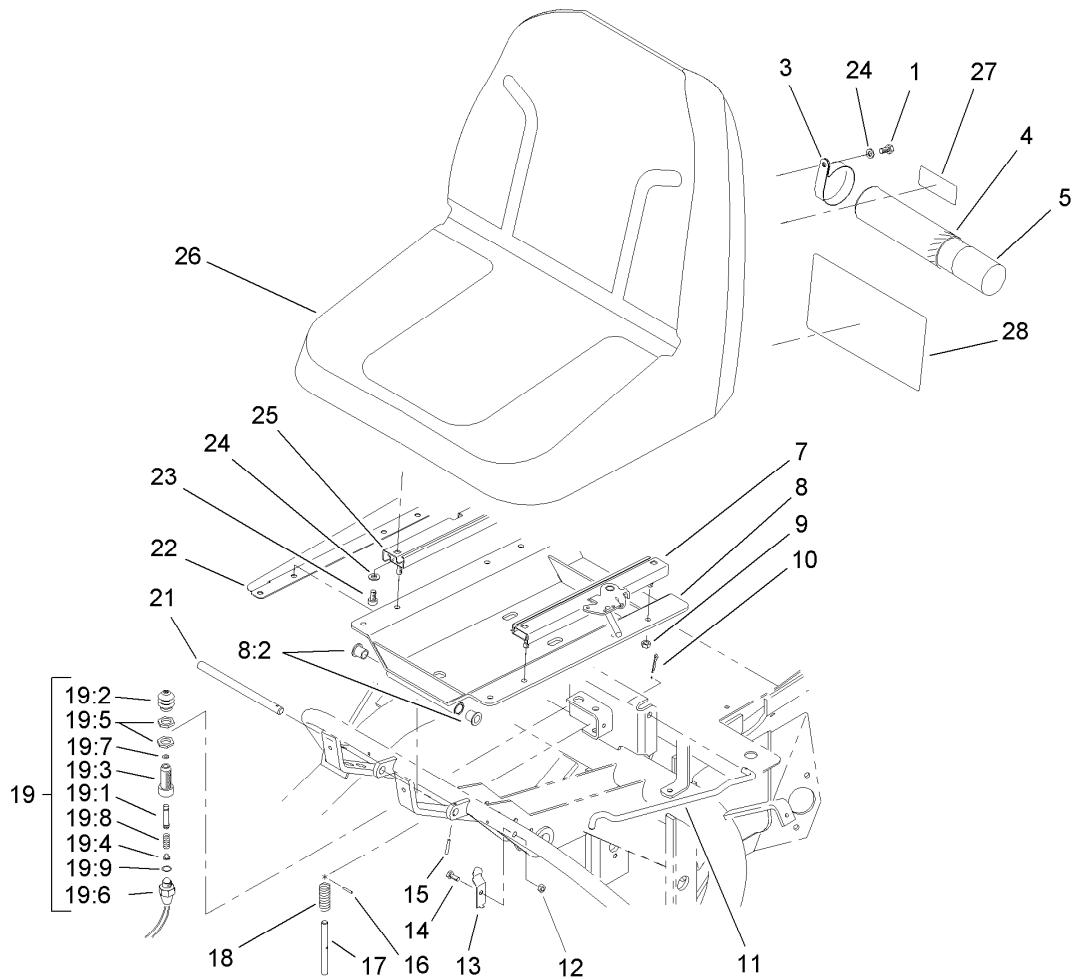
● Not serviced separately



Hydraulic Cylinder Assembly No. 106-9064

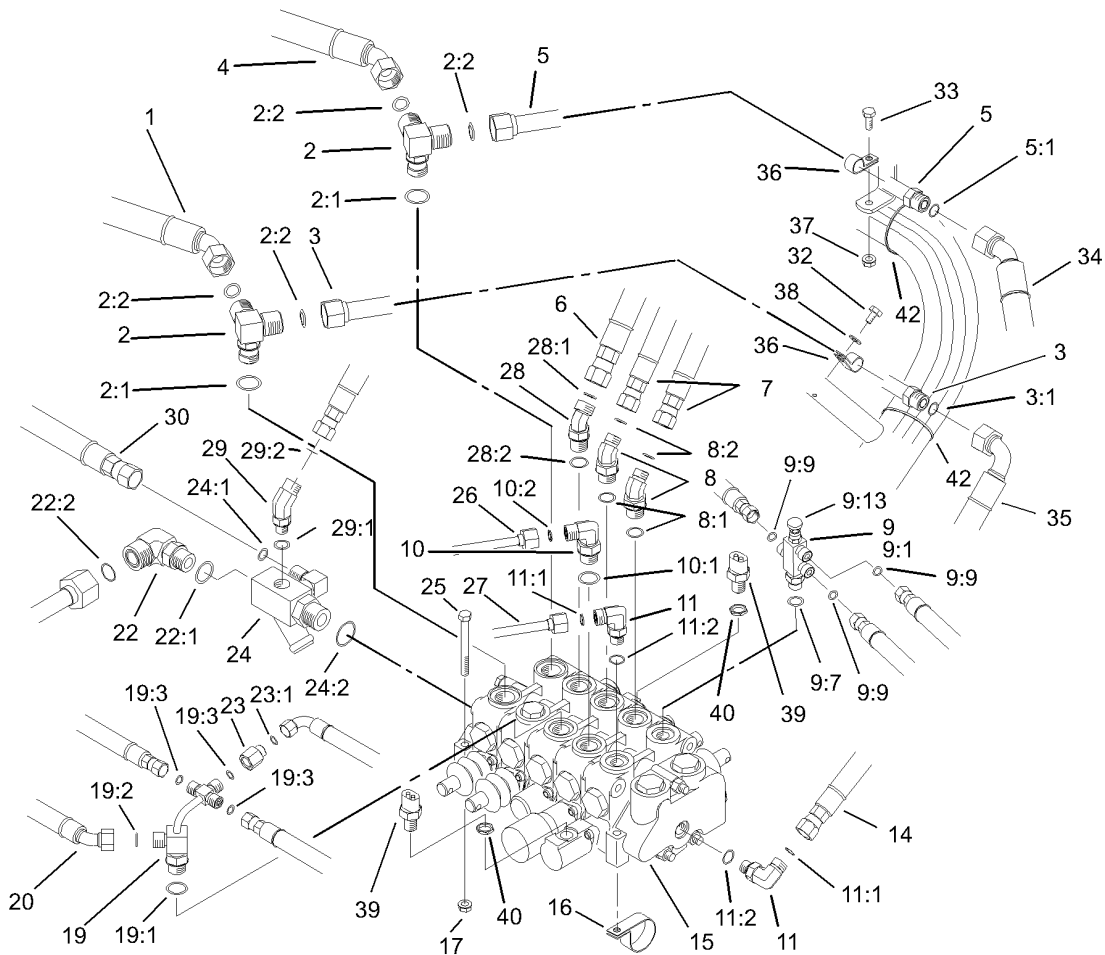
<i>Ref.</i>	<i>Part Number</i>	<i>Qty.</i>	<i>Description</i>
1	107-2563	1	Seal Kit
1:1		1	O-Ring ●
1:2		1	O-Ring ●
1:3		1	Seal ●
1:4		1	Back-Up ●
1:5		1	Wiper ●
1:6		1	Seal W/Loader ●
1:7		1	Wear Ring ●
2		1	Locknut ●
3		1	Piston ●
4		1	Ring-Retaining ●
5		1	Rod ASM ●
6		1	Head ●

● Not serviced separately



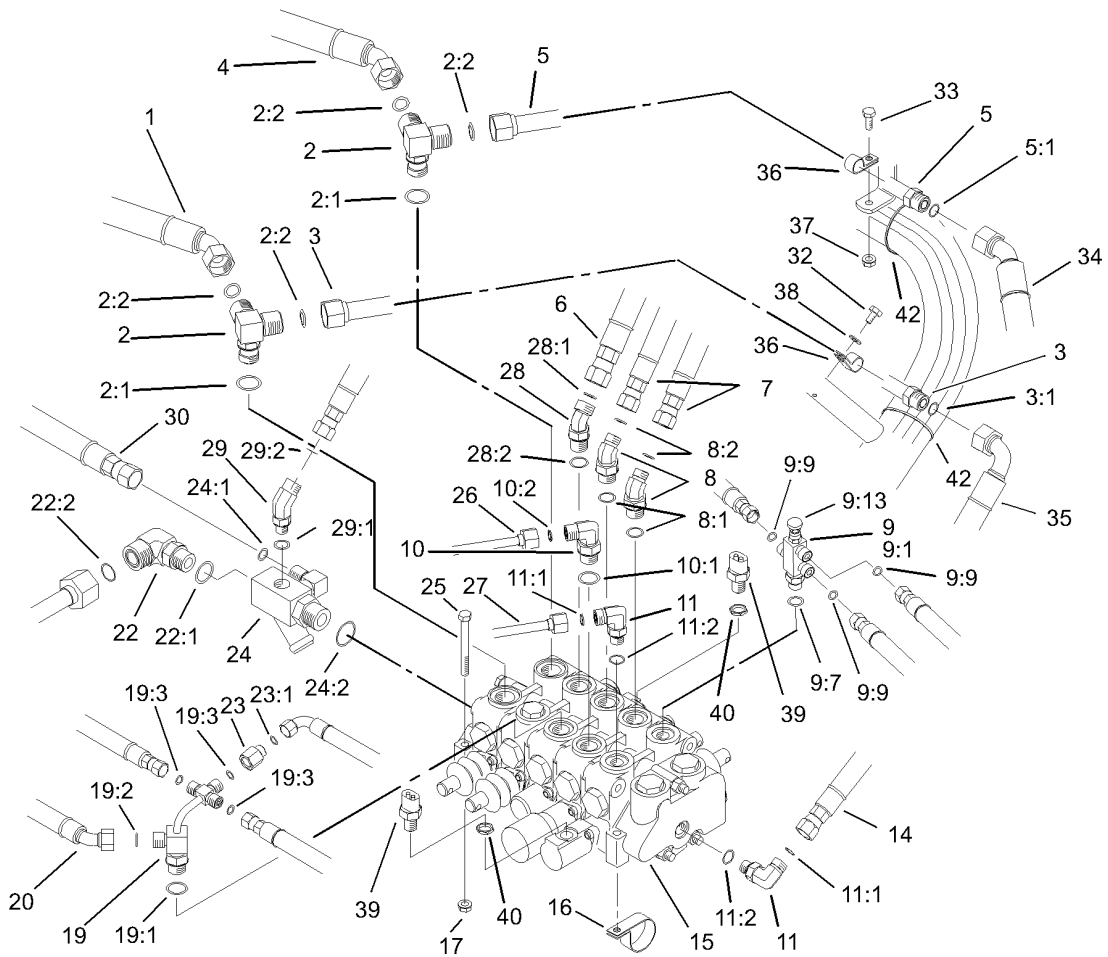
Seat Assembly

<i>Ref.</i>	<i>Part Number</i>	<i>Qty.</i>	<i>Description</i>	<i>Ref.</i>	<i>Part Number</i>	<i>Qty.</i>	<i>Description</i>
1	322-2	2	Screw-HH	19:6	72-4320	1	Switch-Ball
3	2412-133	2	R-Clamp	19:7	237-7	1	O-Ring
4	104-7050	1	Tube-Manual	19:8	43-8600	1	Spring-Compression
5	104-7048	1	Cap-Housing	19:9	237-30	1	O-Ring
7	51-0790	1	Adjuster-Seat, LH	21	49-5880	1	Shaft-Support, Seat
8	83-1270	1	Seat Support ASM	22	83-1840-01	1	Cover-Valve, RH
8:2	256-155	2	Bushing-Flange	23	3274-12	4	Screw-HSH
9	3296-29	4	Nut-Lock, NI	24	3256-23	6	Washer-Flat
10	3272-11	1	Pin-Cotter	25	51-0780	1	Slider-Seat
11	68-5100	1	Rod-Seat, Prop	26	104-4620	1	Seat
12	3296-16	1	Nut-Lock, NI	27	93-6686	1	Decal-Oil, HYD
13	68-5310	1	Clip-Rod, Prop	28	106-6367	1	Decal-Service
14	321-3	1	Screw-HH	28	106-6368	1	Decal-Service, Japanese
15	32121-45	1	Pin-Spring	28	106-6369	1	Decal-Service, Spanish
16	3284-3	1	Pin-Grooved	28	106-6370	1	Decal-Service, French
17	51-0350	1	Pin-Spring, Seat	28	106-6371	1	Decal-Service, German
18	3-6685	1	Spring	28	106-6372	1	Decal-Service, Swedish
19	43-9071	1	Limit Switch ASM	28	106-6373	1	Decal-Service, Italian
19:1	43-8860	1	Plunger-Switch	28	106-6374	1	Decal-Service, Portuguese
19:2	43-8870	1	Boot-Switch	28	106-6375	1	Decal-Service, Norwegian
19:3	43-8620	1	Pin-Guide, Switch	28	106-6376	1	Decal-Service, Finnish
19:4	43-8610	1	Guide	28	106-6377	1	Decal-Service, Danish
19:5	218-461	2	Nut-HH	28	106-6378	1	Decal-Service, Dutch



Control Valve Installation Assembly

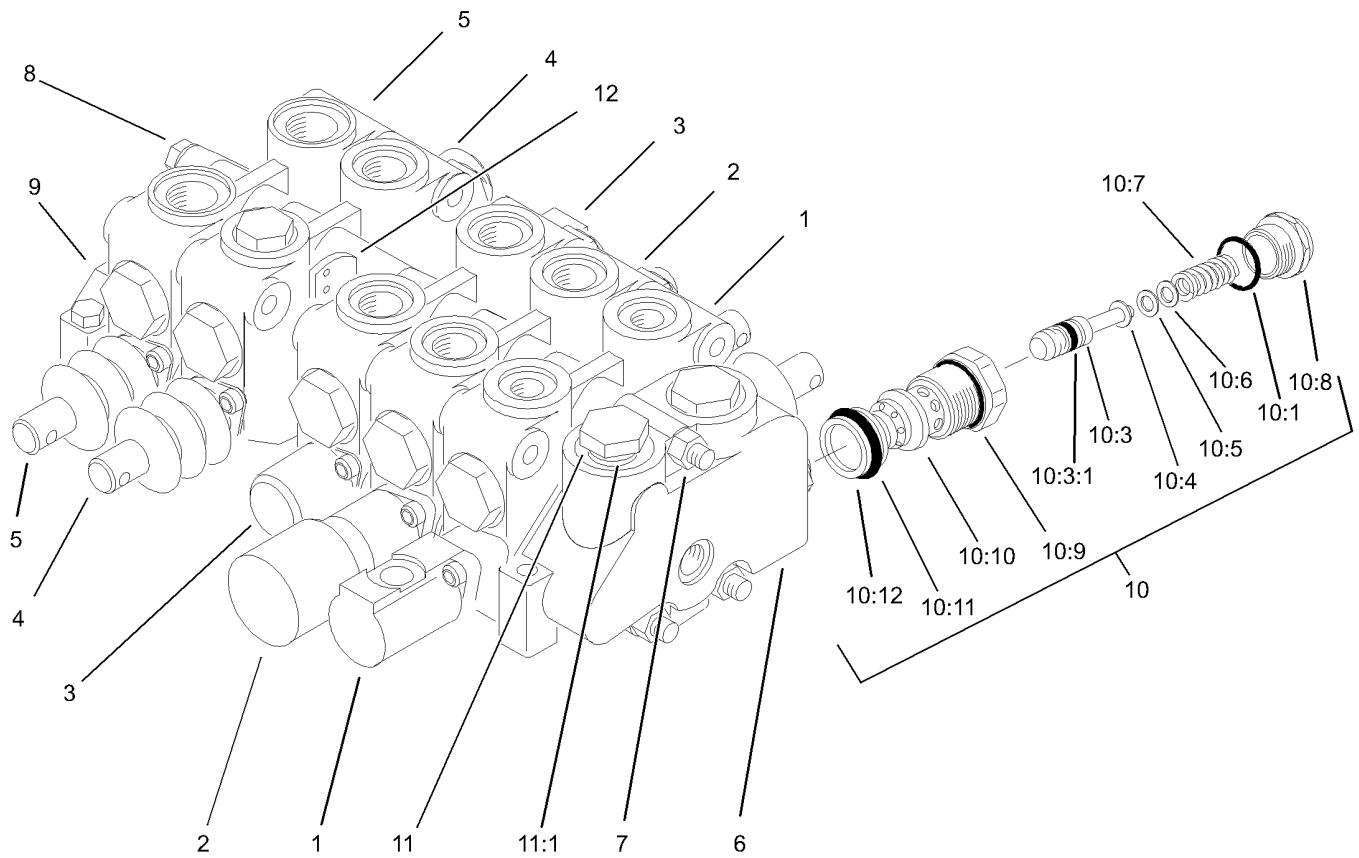
<i>Ref.</i>	<i>Part Number</i>	<i>Qty.</i>	<i>Description</i>	<i>Ref.</i>	<i>Part Number</i>	<i>Qty.</i>	<i>Description</i>
1	98-0647	1	Hose-HYD, Traction, RH (Lower)	15	105-3800	1	Control Valve ASM
2	63-4050	2	Fitting-HYD	16	304-61	1	Clamp-Hose
2:1	237-80	1	O-Ring	17	32128-20	3	Nut-HF
2:2	237-65	2	O-Ring	19	83-1670	1	Fitting ASM
3	70-7130	1	Line-Tube	19:1	237-79	1	O-Ring
3:1	237-65	2	O-Ring	19:2	237-22	1	O-Ring
4	112-0205	1	HYD Hose ASM	19:3	237-21	3	O-Ring
5	83-1200	1	Tube-Traction, LH (Lower)	20	95-5986	1	Hose-HYD
5:1	237-65	1	O-Ring	22	340-16	1	Fitting-HYD, 90 DEG
6	107-9519	1	HYD Hose ASM	22:1	237-80	1	O-Ring
7	98-0649	2	Hose-HYD	22:2	237-58	1	O-Ring
8	340-138	2	Fitting-HYD, 45 DEG	23	71-0990	1	Orifice
8:1	237-79	1	O-Ring	23:1	237-21	1	O-Ring
8:2	237-22	1	O-Ring	24	68-5260	1	Manifold-Tee
9	93-2556	1	Needle Valve ASM	24:1	237-30	1	O-Ring
9:1	93-2555	1	Fitting-Body	24:2	237-81	1	O-Ring
9:7	237-42	1	O-Ring	25	322-14	3	Screw-HH
9:9	237-21	3	O-Ring	26	63-4030	1	Tube-HYD
9:13	93-2554	1	Needle ASM	27	63-4020	1	Tube-HYD
10	340-18	1	Fitting-HYD, 90 DEG	28	340-101	1	Fitting-HYD, 45 DEG
10:1	237-79	1	O-Ring	28:1	237-30	1	O-Ring
10:2	237-22	1	O-Ring	28:2	237-79	1	O-Ring
11	340-77	2	Fitting-HYD, 90 DEG	29	340-137	1	Fitting
11:1	237-22	1	O-Ring	29:1	237-21	1	O-Ring
11:2	237-42	1	O-Ring	29:2	237-42	1	O-Ring
14	98-2150	1	Hose-HYD	30	95-5987	1	Hose-HYD
				32	12-3270	1	Screw



Control Valve Installation Assembly (continued)

<i>Ref.</i>	<i>Part Number</i>	<i>Qty.</i>	<i>Description</i>
33	3234-4	1	Screw-HHF
34	98-0648	1	HYD Hose ASM
35	98-2153	1	HYD Hose ASM
36	2412-41	2	Clamp
37	3296-16	1	Nut-Lock, NI

<i>Ref.</i>	<i>Part Number</i>	<i>Qty.</i>	<i>Description</i>
38	3256-22	1	Washer-Flat
39	83-1890	2	Switch-Ball
40	38-0410	2	Nut-Hex
42	3290-379	2	Tie-Cable

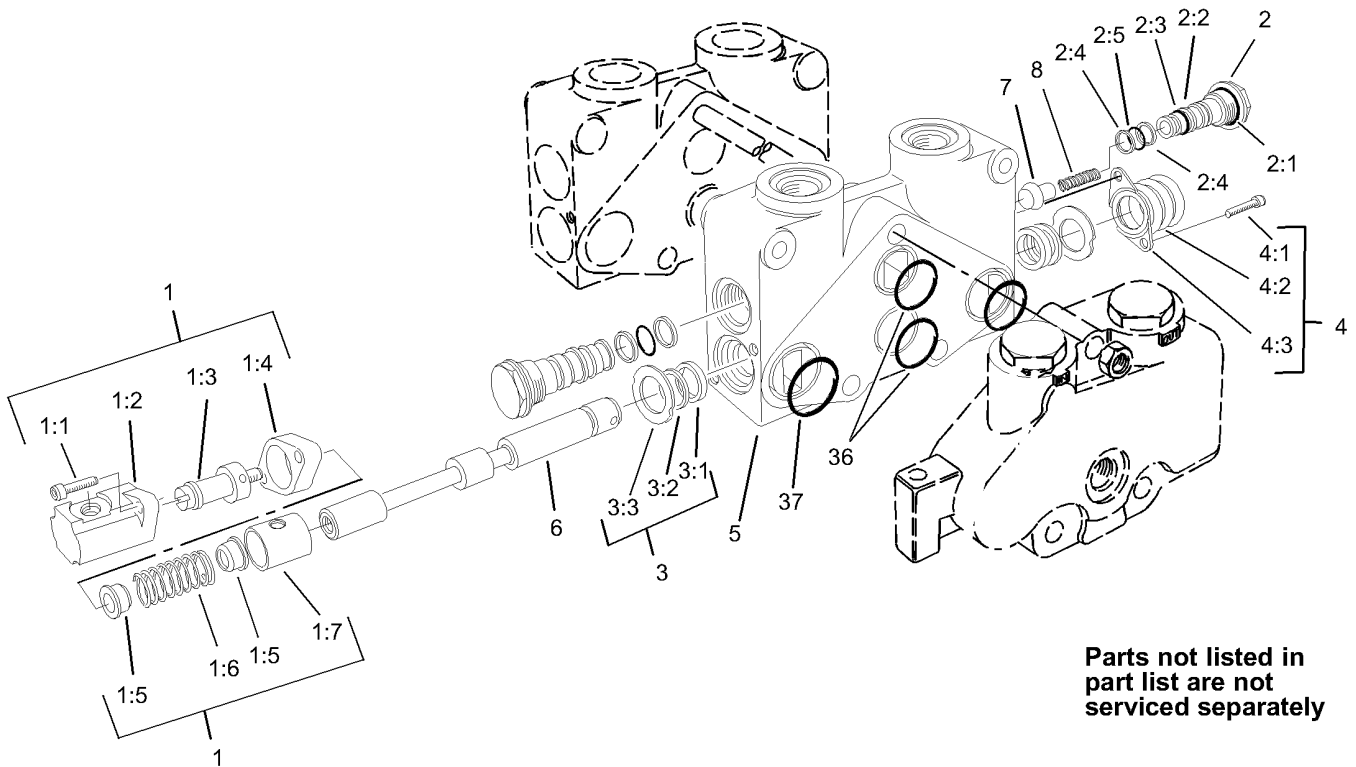


Control Valve Assembly No. 105-3800

<i>Ref.</i>	<i>Part Number</i>	<i>Qty.</i>	<i>Description</i>	<i>Ref.</i>	<i>Part Number</i>	<i>Qty.</i>	<i>Description</i>
1	105-3801	1	Section 1 ASM	10:5	353-329	1	Shim (.020)
2	105-3802	1	Section 2 ASM	10:6	353-330	1	Shim (.010)
3	105-3803	1	Section 3 ASM	10:7	353-855	1	Spring
4	105-3804	1	Section 4 ASM	10:8	353-334	1	Cap-Relief
5	93-1386	1	Section 5 ASM	10:9	353-331	1	O-Ring
6	353-772	1	Cover-Left	10:10	353-760	1	Relief-Body
7	3217-7	3	Nut-Hex	10:11	353-758	1	O-Ring
8	353-853	3	Bolt	10:12	353-952	1	Seal-Back-Up
9	353-668	1	Plate-Cover	11	353-721	2	Plug
10	353-766	1	Cart-Relief	11:1	237-54	1	O-Ring
10:1	237-54	1	O-Ring	12	354-122	1	Disc-Seal
10:3	353-531	1	Poppet And Ring ASM	13	92-2545	1	Spool Set Kit ●
10:3:1	353-392	1	Ring-Piston	14	84-2190	1	Section Seal Kit ●
10:4	353-328	1	Shim (.040)				

● Not illustrated

■ Not serviced separately

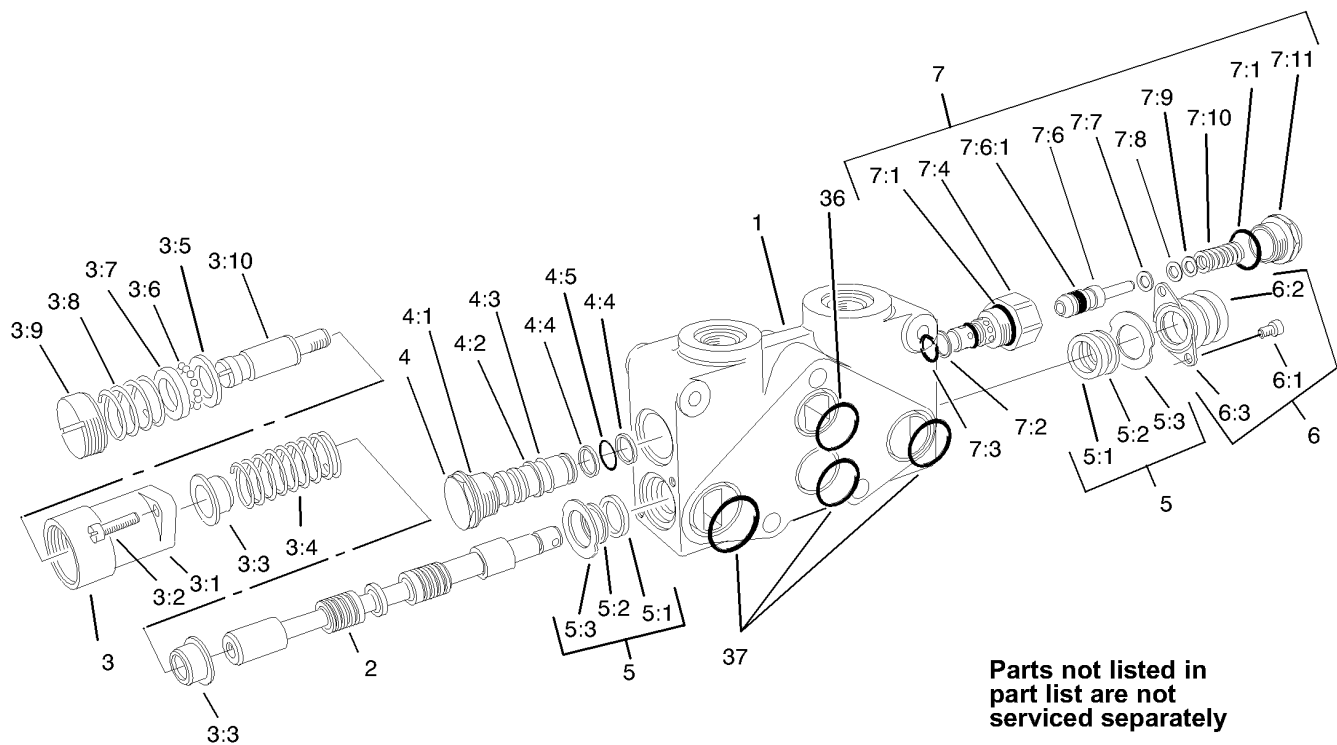


Section 1 Assembly No. 105-3801

Ref.	Part Number	Qty.	Description
1	105-3807	1	Positioner-Interlock
1:1	3274-70	2	Screw-HSH
1:2	353-727	1	Bonnet-Special
1:3	104-7739	1	Spud-V20
1:4	353-733	1	Spacer-Bonnet
1:5	353-417	2	Collar-Stop
1:6	104-7741	1	Spring
1:7	353-728	1	Sleeve
2	353-481	2	Lift Check ASM
2:1	237-54	1	O-Ring
2:2	353-306	1	Washer-Backup
2:3	353-305	1	O-Ring
2:4	353-303	2	Washer-Backup
2:5	353-302	1	O-Ring

Ref.	Part Number	Qty.	Description
3	92-2548	2	Spool Set Kit
3:1	353-957	1	Cup-Seal
3:2	92-2546	1	Wiper-Seal
3:3	92-2547	1	Seal-Retainer
4	93-3652	1	Boot-Dust
4:1	3274-52	2	Screw-HSH
4:2	353-575	1	Boot
4:3	93-3651	1	Retainer-Boot
5		1	Housing-V20C ●
6		1	Spool-V20C ●
7	353-301	1	Check-Lift, Poppet
8	353-304	1	Spring-Check, Lift
36		2	Seal-Dust ●
37		2	Seal-Dust ●

● Not serviced separately

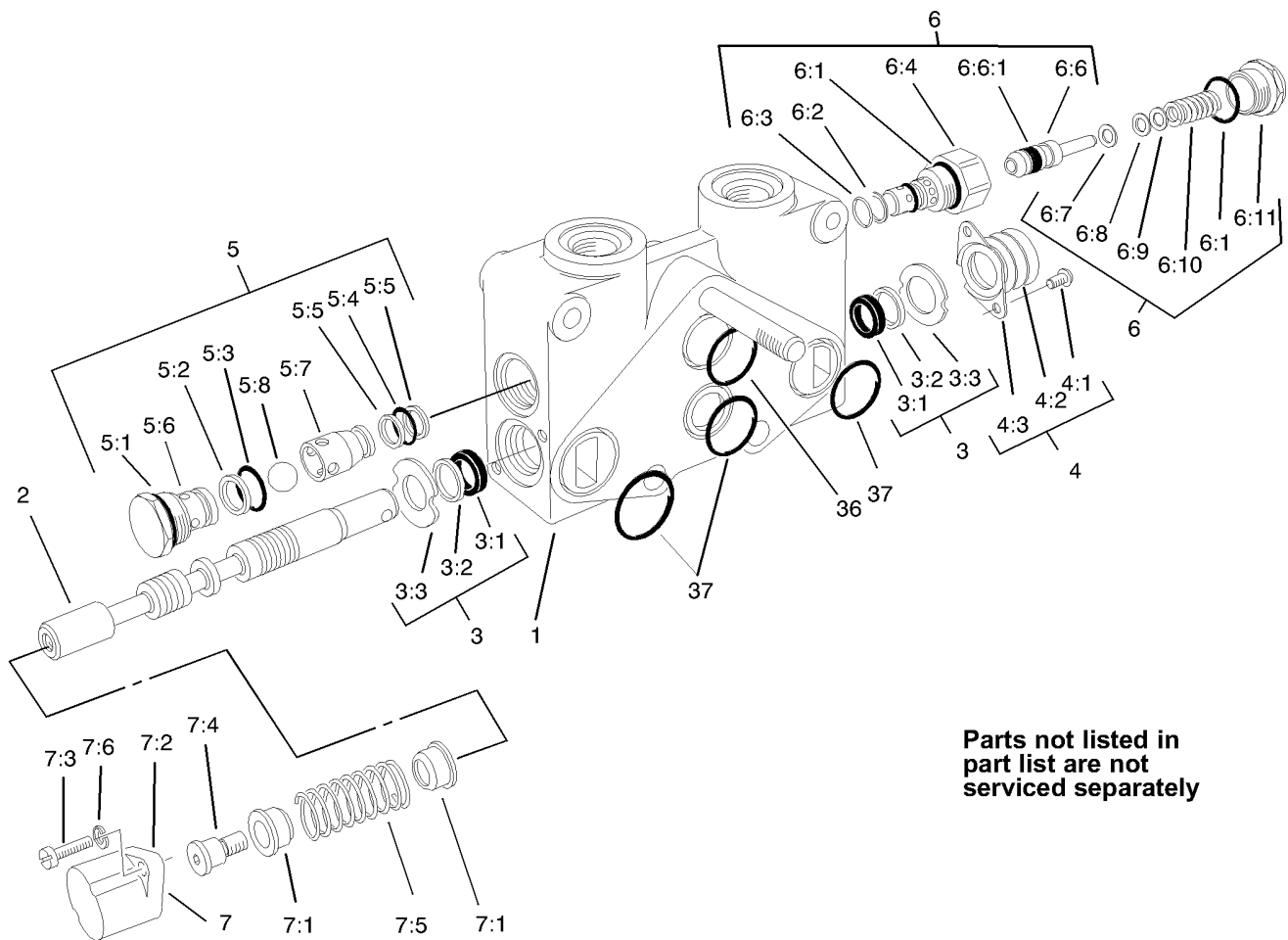


Section 2 Assembly No. 105-3802

Ref.	Part Number	Qty.	Description
1		1	Housing-V20T ●
2		1	Spool-V20 ●
3	105-3806	1	Positioner
3:1	99-8181	1	Bonnet-R
3:2	3274-15	2	Screw-HSH
3:3	353-417	2	Collar-Stop
3:4	104-7741	1	Spring
3:5	354-29	1	Plate-Thrust
3:6	52-5880	12	Ball-Detent
3:7	42-2680	1	Race-Ball
3:8	104-7727	1	Spring-Detent
3:9	353-763	1	Cap-Adjustment
3:10	353-762	1	Spud-Out
4	353-481	1	Lift Check ASM
4:1	237-54	1	O-Ring
4:2	353-306	1	Washer-Backup
4:3	353-305	1	O-Ring
4:4	353-303	2	Washer-Backup
4:5	353-302	1	O-Ring
5	92-2548	2	Spool Set Kit
5:1	353-957	1	Cup-Seal

Ref.	Part Number	Qty.	Description
5:2	92-2546	1	Wiper-Seal
5:3	92-2547	1	Seal-Retainer
6	93-3652	1	Boot-Dust
6:1	3274-52	2	Screw-HSH
6:2	353-575	1	Boot
6:3	93-3651	1	Retainer-Boot
7	353-642	1	Cartridge-Relief
7:1	237-54	2	O-Ring
7:2	353-306	1	Washer-Backup
7:3	353-305	1	O-Ring
7:4	353-851	1	Body-Relief
7:6	353-531	1	Poppet And Ring ASM
7:6:1	353-392	1	Ring-Piston
7:7	353-328	1	Shim (.040)
7:8	353-329	1	Shim (.020)
7:9	353-330	1	Shim (.010)
7:10	353-398	1	Spring
7:11	353-334	1	Cap-Relief
36		1	Seal-Dust ●
37		3	Seal-Dust ●

● Not serviced separately

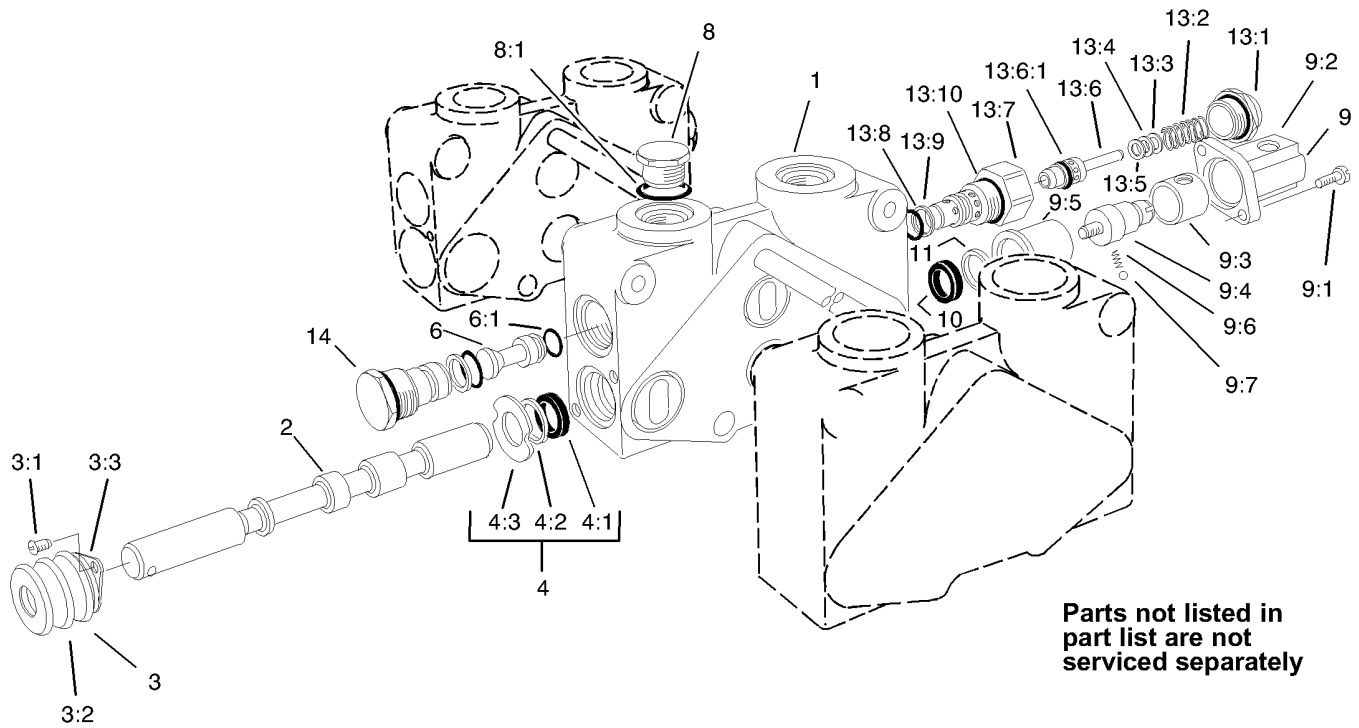


Section 3 Assembly No. 105-3803

Ref.	Part Number	Qty.	Description
1		1	Housing-V20T ●
2		1	Spool-V20 ●
3	92-2548	2	Spool Set Kit
3:1	353-957	1	Cup-Seal
3:2	92-2546	1	Wiper-Seal
3:3	92-2547	1	Seal-Retainer
4	93-3652	1	Boot-Dust
4:1	3274-52	2	Screw-HSH
4:2	353-575	1	Boot
4:3	93-3651	1	Retainer-Boot
5	354-129	1	Anticavitation Check ASM
5:1	237-54	1	O-Ring
5:2	353-306	1	Washer-Backup
5:3	353-305	1	O-Ring
5:4	353-302	1	O-Ring
5:5	353-303	2	Washer-Backup
5:6	353-483	1	Body-Check
5:7	353-484	1	Return-Ball, Check
5:8	353-737	1	Ball-Check
6	353-642	1	Cartridge-Relief

Ref.	Part Number	Qty.	Description
6:1	237-54	2	O-Ring
6:2	353-306	1	Washer-Backup
6:3	353-305	1	O-Ring
6:4	353-851	1	Body-Relief
6:6	353-531	1	Poppet And Ring ASM
6:6:1	353-392	1	Ring-Piston
6:7	353-328	1	Shim (.040)
6:8	353-329	1	Shim (.020)
6:9	353-330	1	Shim (.010)
6:10	353-398	1	Spring
6:11	353-334	1	Cap-Relief
7	105-3808	1	Positioner-Return, Spring
7:1	353-417	2	Collar-Stop
7:2	99-6895	1	Bonnet
7:3	52-5900	2	Screw
7:4	52-5860	1	Collar-Spool
7:5	104-7741	1	Spring
7:6	3253-3	2	Washer-Lock
36		1	Seal-Dust ●
37		3	Seal-Dust ●

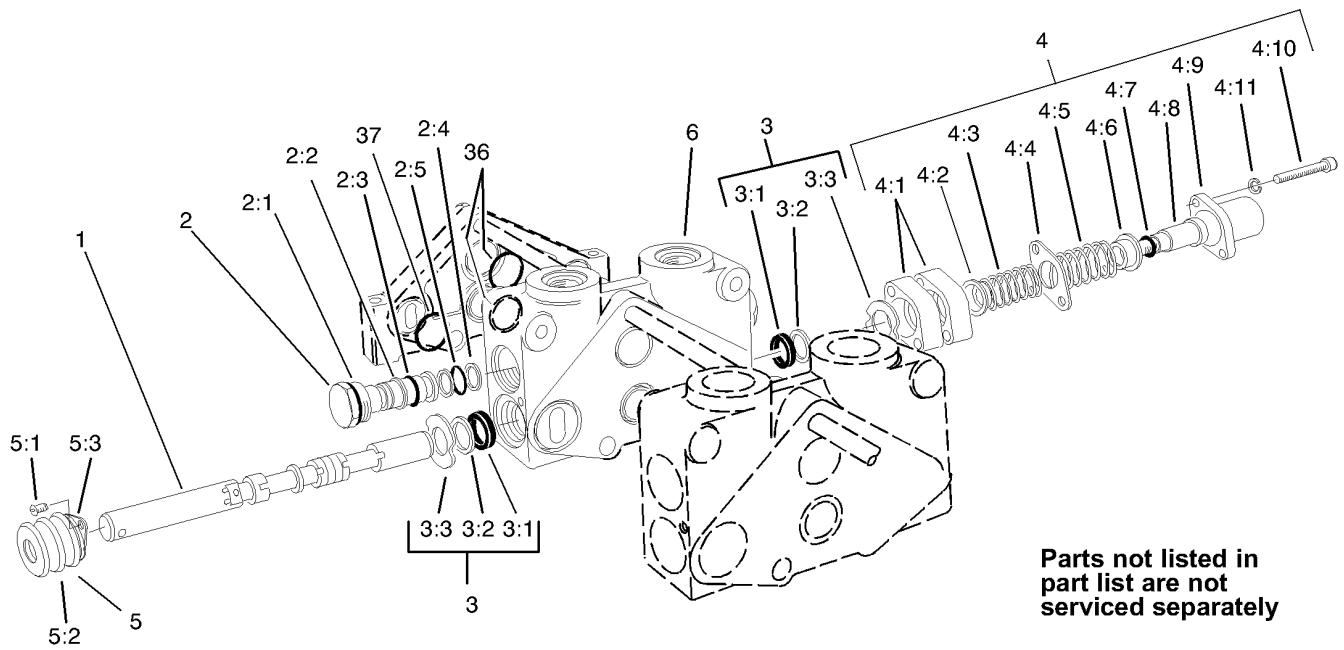
● Not serviced separately



Section 4 Assembly No. 105-3804

Ref.	Part Number	Qty.	Description	Ref.	Part Number	Qty.	Description
1		1	Housing-V20P ●	9:4	353-846	1	Spud
2		1	Spool-V20 ●	9:5	353-845	1	Sleeve-Detent
3	93-3652	1	Boot-Dust	9:6	353-730	1	Spring
3:1	3274-52	2	Screw-HSH	9:7	353-731	2	Ball
3:2	353-575	1	Boot	10	353-957	1	Cup-Seal
3:3	93-3651	1	Retainer-Boot	11	353-958	1	Washer
4	92-2548	1	Spool Set Kit	13	354-140	1	Relief-Rcm
4:1	353-957	1	Cup-Seal	13:1	353-334	1	Cap-Relief
4:2	92-2546	1	Wiper-Seal	13:2	353-398	1	Spring
4:3	92-2547	1	Seal-Retainer	13:3	353-330	1	Shim (.010)
6	353-844	1	Plug	13:4	353-329	1	Shim (.020)
6:1	353-850	1	O-Ring	13:5	353-328	1	Shim (.040)
8	353-550	1	Plug-HYD, HH	13:6	353-531	1	Poppet And Ring ASM
8:1	237-79	1	O-Ring	13:6:1	353-392	1	Ring-Piston
9	353-840	1	Switch Positioner Bonnet ASM	13:7	353-851	1	Body-Relief
9:1	52-5900	2	Screw	13:8	353-305	1	O-Ring
9:2	353-847	1	Bonnet	13:9	353-306	1	Washer-Backup
9:3	353-849	1	Sleeve	13:10	237-54	2	O-Ring
				14	353-953	1	Plug ASM

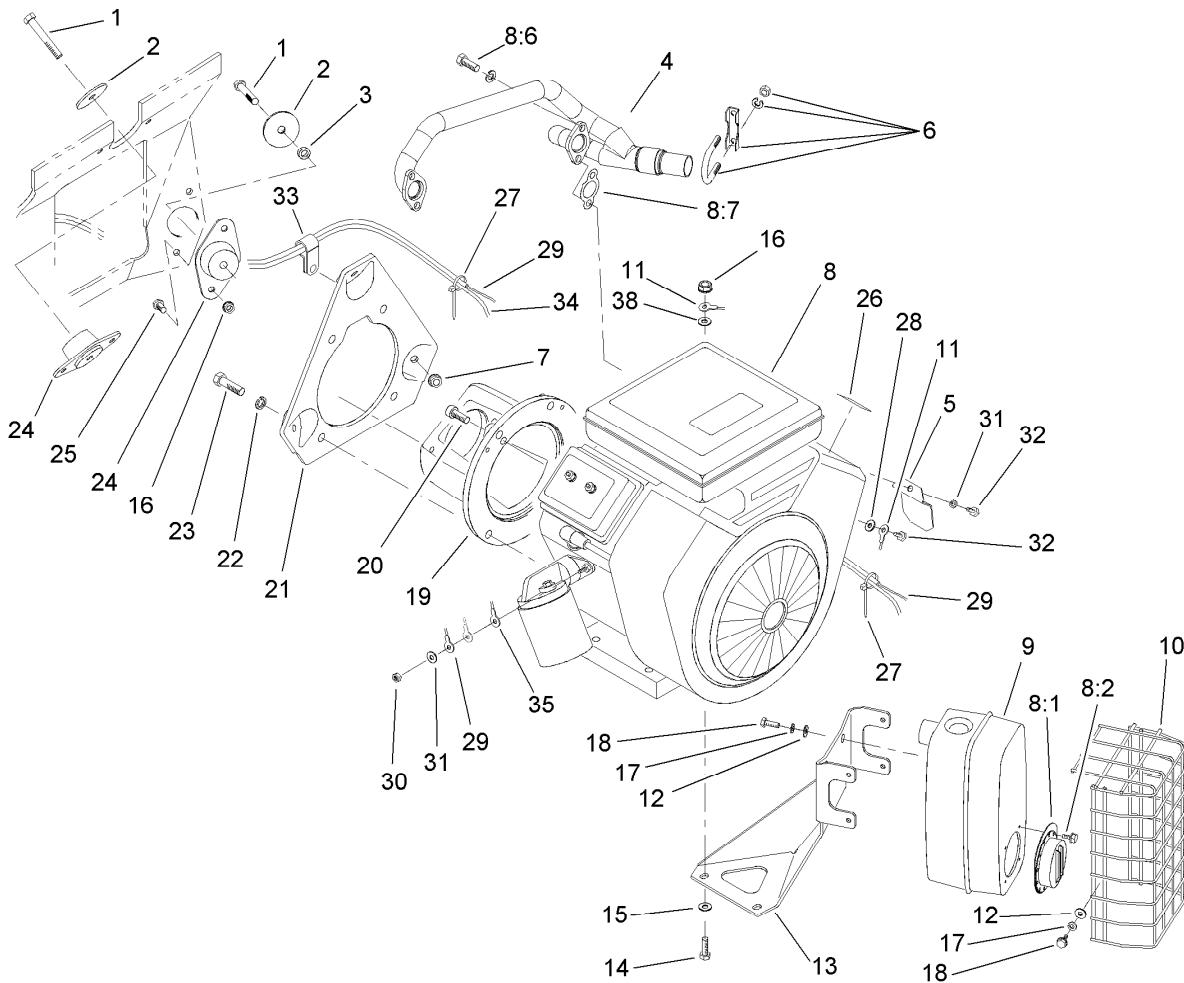
● Not serviced separately



Section 5 Assembly No. 93-1386

Ref.	Part Number	Qty.	Description	Ref.	Part Number	Qty.	Description
1	94-5434	1	Spool	4:4	353-529	1	Plate-Retainer, Seal
2	353-481	2	Lift Check ASM	4:5	92-3148	1	Spring-Traction
2:1	237-54	1	O-Ring	4:6	353-808	1	Collar-Spring
2:2	353-306	1	Washer-Backup	4:7	353-830	1	O-Ring
2:3	353-305	1	O-Ring	4:8	94-4248	1	Collar-Spool
2:4	353-303	2	Washer-Backup	4:9	99-6895	1	Bonnet
2:5	353-302	1	O-Ring	4:10	354-28	2	Screw-Hs
3	92-2548	2	Spool Set Kit	4:11	3253-4	2	Washer-Lock
3:1	353-957	1	Cup-Seal	5	93-3652	1	Boot-Dust
3:2	92-2546	1	Wiper-Seal	5:1	3274-52	2	Screw-HSH
3:3	92-2547	1	Seal-Retainer	5:2	353-575	1	Boot
4	353-833	1	Positioner ASM	5:3	93-3651	1	Retainer-Boot
4:1	353-733	2	Spacer-Bonnet	6		1	Housing-V20P ●
4:2	353-417	1	Collar-Stop	36		1	Seal-Dust ●
4:3	353-831	1	Spring	37		3	Seal-Dust ●

● Not serviced separately

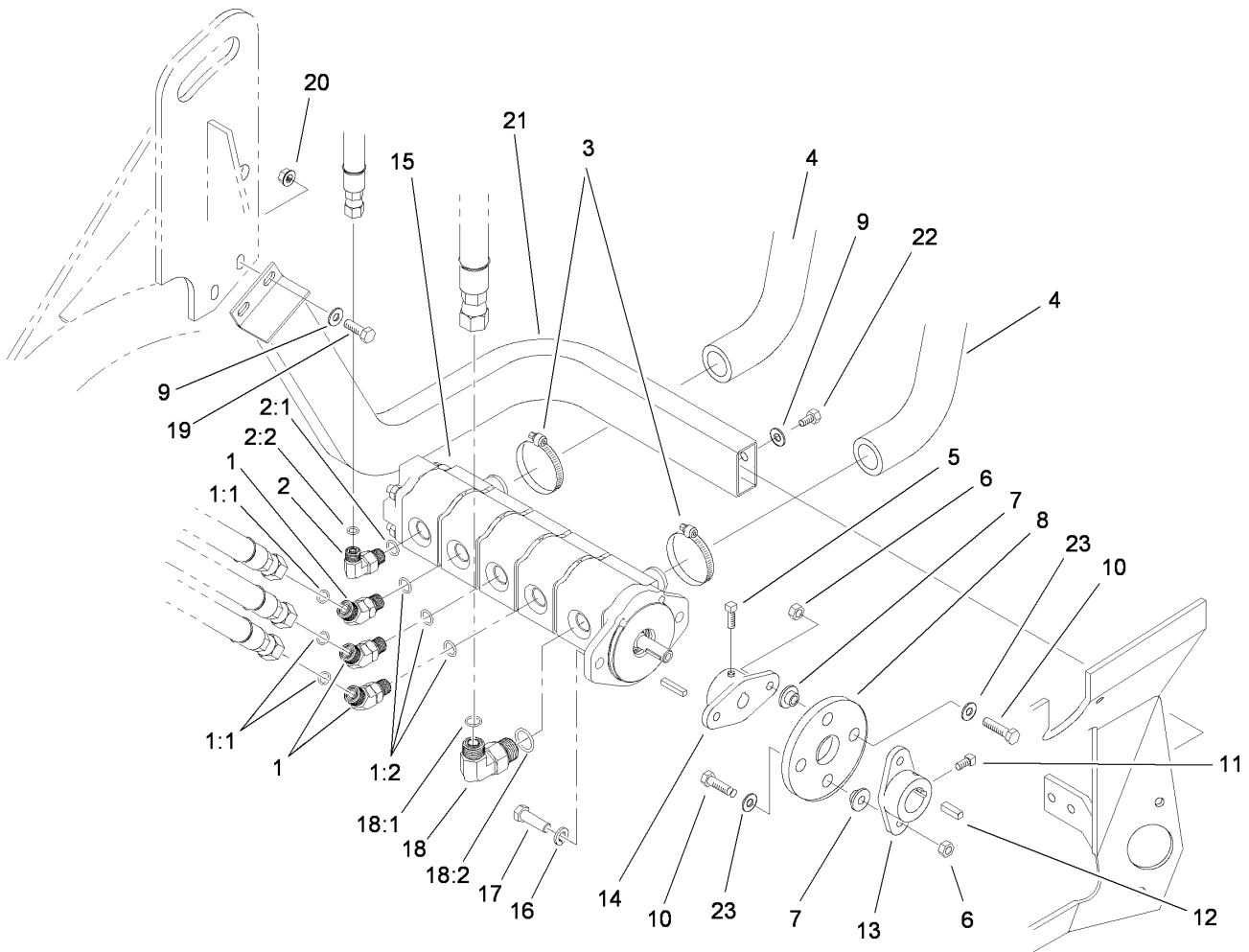


Engine Installation Assembly

Ref.	Part Number	Qty.	Description	Ref.	Part Number	Qty.	Description
1	323-12	3	Screw-HH	19	83-1060-03	1	Adapter-Pump
2	83-1040	3	Washer-Flat	20	3274-7	2	Screw-HSH
3	83-1050	2	Spacer	21	85-8120-03	1	Plate-Mount, Engine
4	108-6539	1	Manifold-Exhaust	22	3253-6	4	Washer-Lock
5	83-2310	1	Shield-Regulator	23	324-7	4	Screw-HH
6	2112-11	1	Muffler Clamp ASM	24	83-1030	3	Mount-Engine
7	3290-357	3	Nut-HHF, Whiz	25	322-3	6	Screw-HH
8	108-6499	1	Engine-Vanguard, Briggs And Stratton	26	93-8069	1	Decal-Surface, Hot
8:1		1	Deflector-Exhaust ■	27	3290-379	2	Tie-Cable
8:2		4	Screw-HH ■	28	3255-7	1	Washer-Lock/EXT
8:6		4	Screw-HHF ■	29	108-6493	1	Harness-Wire, Main
8:7		2	Gasket-Manifold, Exhaust ■	29:1	218-578	1	Fuse-Blade, 10 Amp ●
9	98-0616	1	Muffler ASM	29:2	100-4918	2	Diode ●
10	112-0220	1	Grille-Muffler	29:3	106-2790	1	Link-Fusible ●
11	108-6486	1	Wire-Ground	29:4	106-2791	1	Link-Fusible ●
12	3256-1	8	Washer-Flat	30	43-2830	1	Nut-Hex
13	83-1630-03	1	Bracket-Support, Muffler	31	43-5930	2	Washer-Lock, Spring
14	322-8	2	Screw-HH	32	33113-016	2	Screw-HH
15	3256-23	2	Washer-Flat	33	2412-81	1	Clamp-R
16	32128-20	8	Nut-HF	34	98-2161	1	Cable-Battery, Positive
17	3253-3	8	Washer-Lock	35	83-1150	1	Engine Ground Wire ASM
18	49-2040	8	Screw-HWHTF	38	3255-8	1	Washer-Lock

● Not illustrated

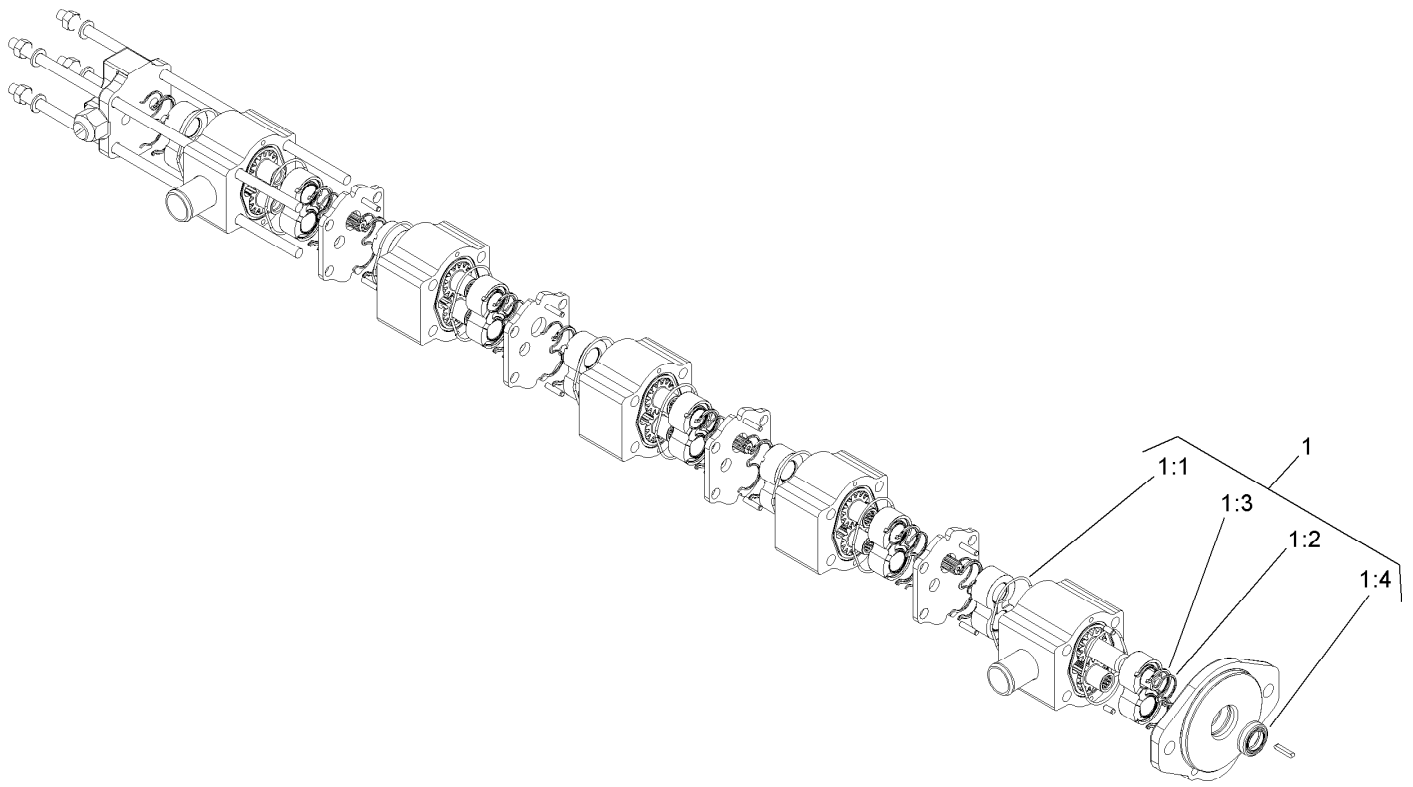
■ Not serviced separately



Hydraulic Pump Installation Assembly

Ref.	Part Number	Qty.	Description
1	340-87	3	Fitting-HYD, 45 DEG
1:1	237-22	1	O-Ring
1:2	237-42	1	O-Ring
2	340-82	1	Adapter
2:1	237-42	1	O-Ring
2:2	237-21	1	O-Ring
3	2412-34	2	Clamp-Hose
4	95-5966	2	Hose-Inlet, Pump
5	3241-6	2	Screw-SQH
6	3296-29	4	Nut-Lock, NI
7	27-6600	4	Spacer-Coupling
8	44-2230	1	Coupling-Rubber
9	3256-23	4	Washer-Flat
10	322-6	4	Screw-HH
11	3241-7	2	Screw-SQH

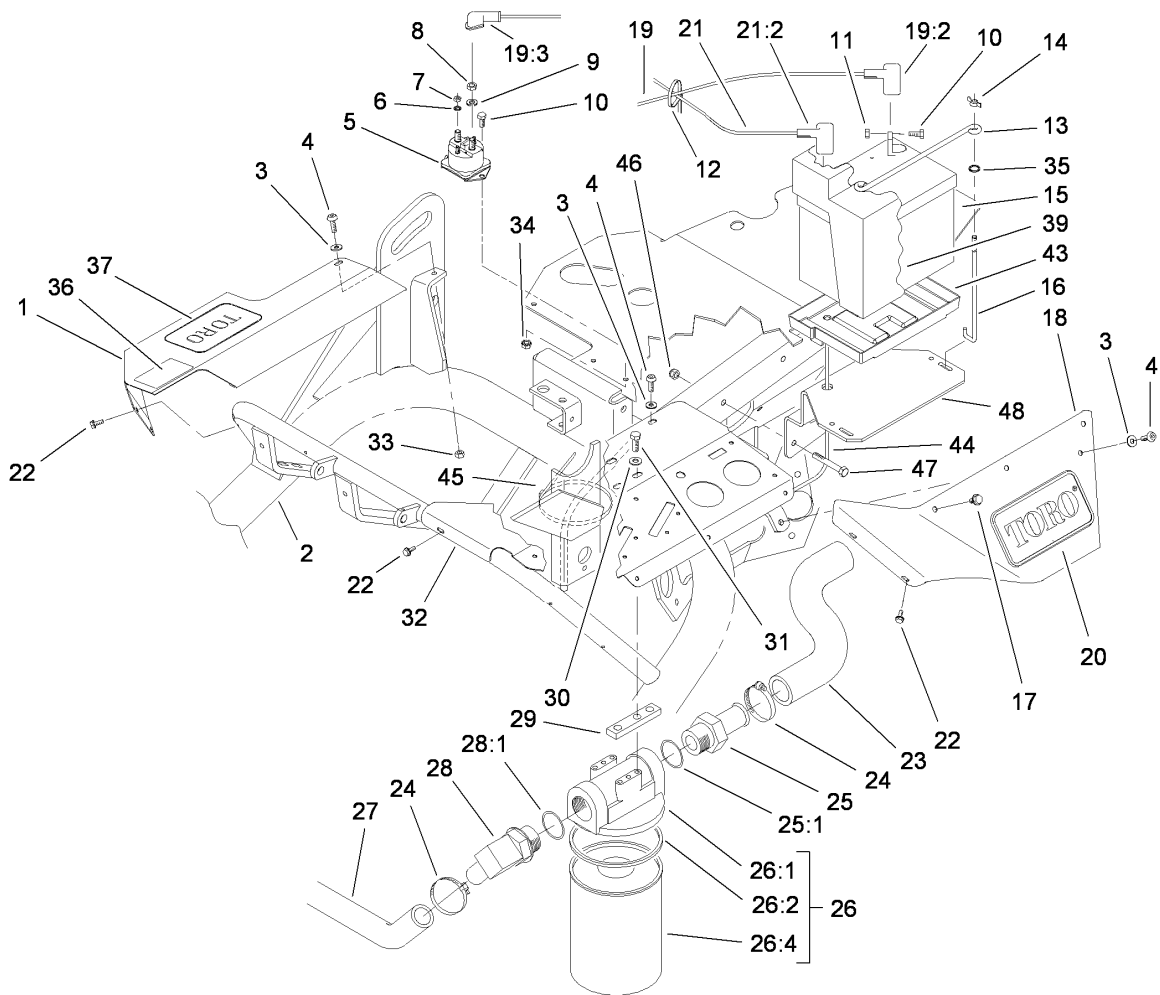
Ref.	Part Number	Qty.	Description
12	10-7070	1	Key-Square
13	110-5236	1	Hub-Engine
14	27-1970	1	Hub-Pump
15	107-2567	1	5 Section Gear Pump ASM
16	3253-21	2	Washer-Lock
17	323-7	2	Screw-HH
18	340-105	1	Fitting-HYD, 90 DEG
18:1	237-80	1	O-Ring
18:2	237-30	1	O-Ring
19	322-4	2	Screw-HH
20	32128-20	2	Nut-HF
21	106-9077-01	1	Guard ASM
22	322-1	2	Screw-HH
23	3256-3	4	Washer-Flat



Gear Pump Assembly No. 107-2567

<i>Ref.</i>	<i>Part Number</i>	<i>Qty.</i>	<i>Description</i>
1	107-2568	1	Seal Kit
1:1		10	Gasket-Seal ●
1:2		10	Seal-Back-Up ●
1:3		10	Seal-Channel ●
1:4		1	Seal-Lip ●

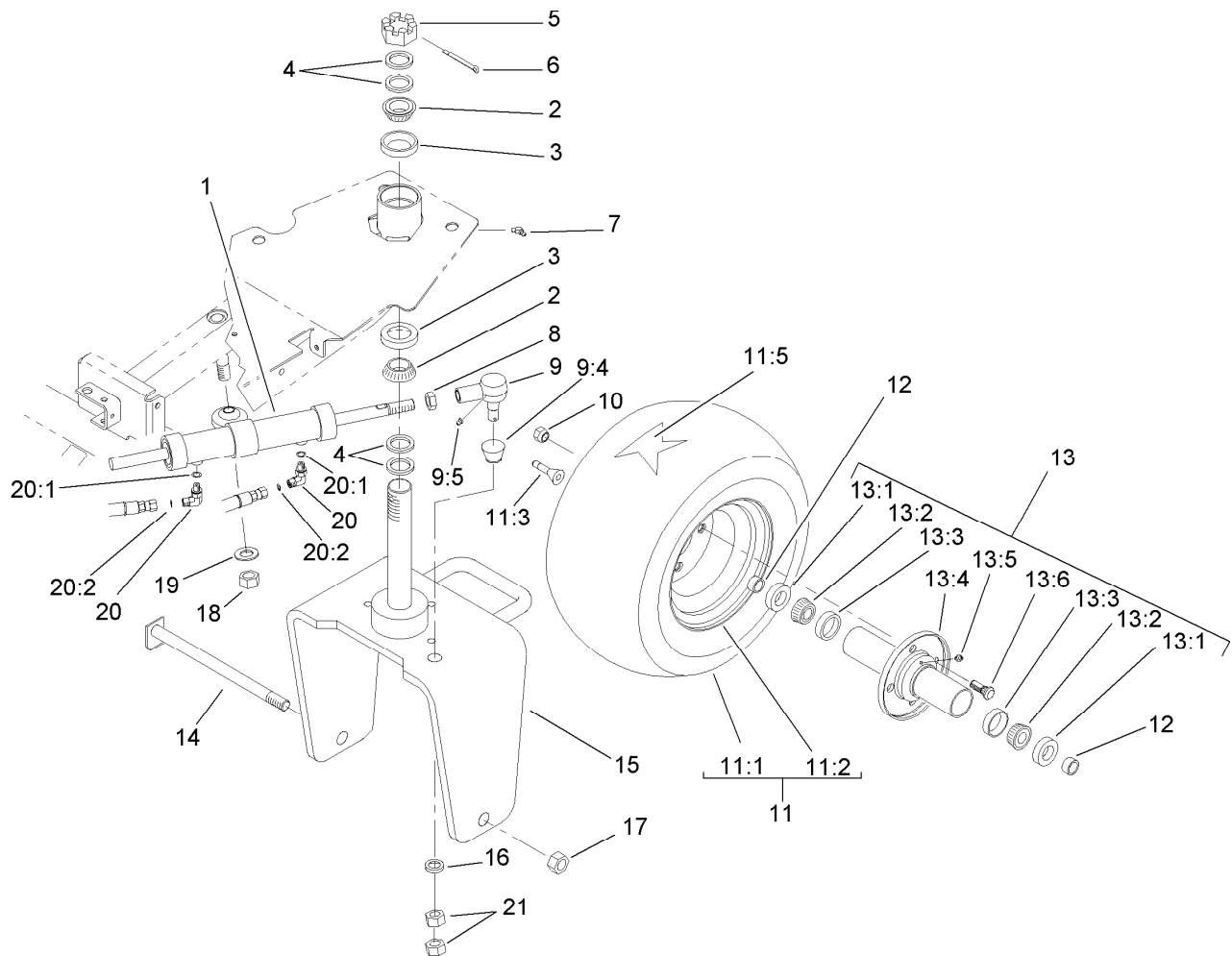
● Not serviced separately



Frame Assembly

Ref.	Part Number	Qty.	Description	Ref.	Part Number	Qty.	Description
1	94-2694-01	1	Cover-RH	24	2412-34	3	Clamp-Hose
2	106-6365-01	1	Frame ASM	25	95-4356	1	Fitting
3	3256-1	3	Washer-Flat	25:1	237-71	1	O-Ring
4	3274-69	3	Screw-HSBH	26		1	Filter And Head ASM ●
5	28-4210	1	Solenoid	26:1	44-5560	1	Head-Filter, Oil
6	3254-1	2	Washer-Lock, Int	26:2	72-3850	1	Seal-Filter, Oil
7	3219-14	2	Nut-Hex	26:4	74-3570	1	Filter
8	3218-13	2	Nut-Jam, Brass	27	68-5880	1	Hose-HYD
9	3253-4	2	Washer-Lock	28	353-564	1	Fitting-90 DEG
10	321-3	4	Screw-HH	28:1	237-101	1	O-Ring
11	3217-5	2	Nut-Hex	29	27-2380	2	Spacer
12	3290-378	1	Tie-Cable	30	3256-23	4	Washer-Flat
13	100-6434	1	Rod-Hold Down, Battery	31	322-4	4	Screw-HH
14	32103-22	2	Nut-Wing	32	83-0830-01	1	Panel-Control, Upper
15	104-8162	1	Battery	33	3296-16	3	Nut-Lock, NI
16	100-6435	2	Post-Battery	34	32149-2	2	Nut-Keps
17	46-8560	3	Screw-HHFTF	35	237-143	2	O-Ring
18	83-0840-01	1	Shield-Cover, Valve	36	93-8065	1	Decal-Traction
19	95-7144	1	Positive Cable ASM	37	67-1300	1	Decal
19:2	28-8080	1	Boot-Terminal	39	106-9062	1	Cover-Battery
19:3	83-2430	1	Boot-Terminal	43	106948	1	Tray-Battery
20	105-9751	1	Decal	44	98-0601	1	Tube-Drain, Battery
21	98-0604	1	Negative Cable ASM	45	3290-379	1	Tie-Cable
21:2	98-0603	1	Boot-Terminal	46	3296-29	2	Nut-Lock, NI
22	32104-116	5	Screw	47	322-11	2	Screw-HH
23	95-7119	1	Hose-Line, Return	48	104-2064-03	1	Battery Base ASM

● Not serviced separately

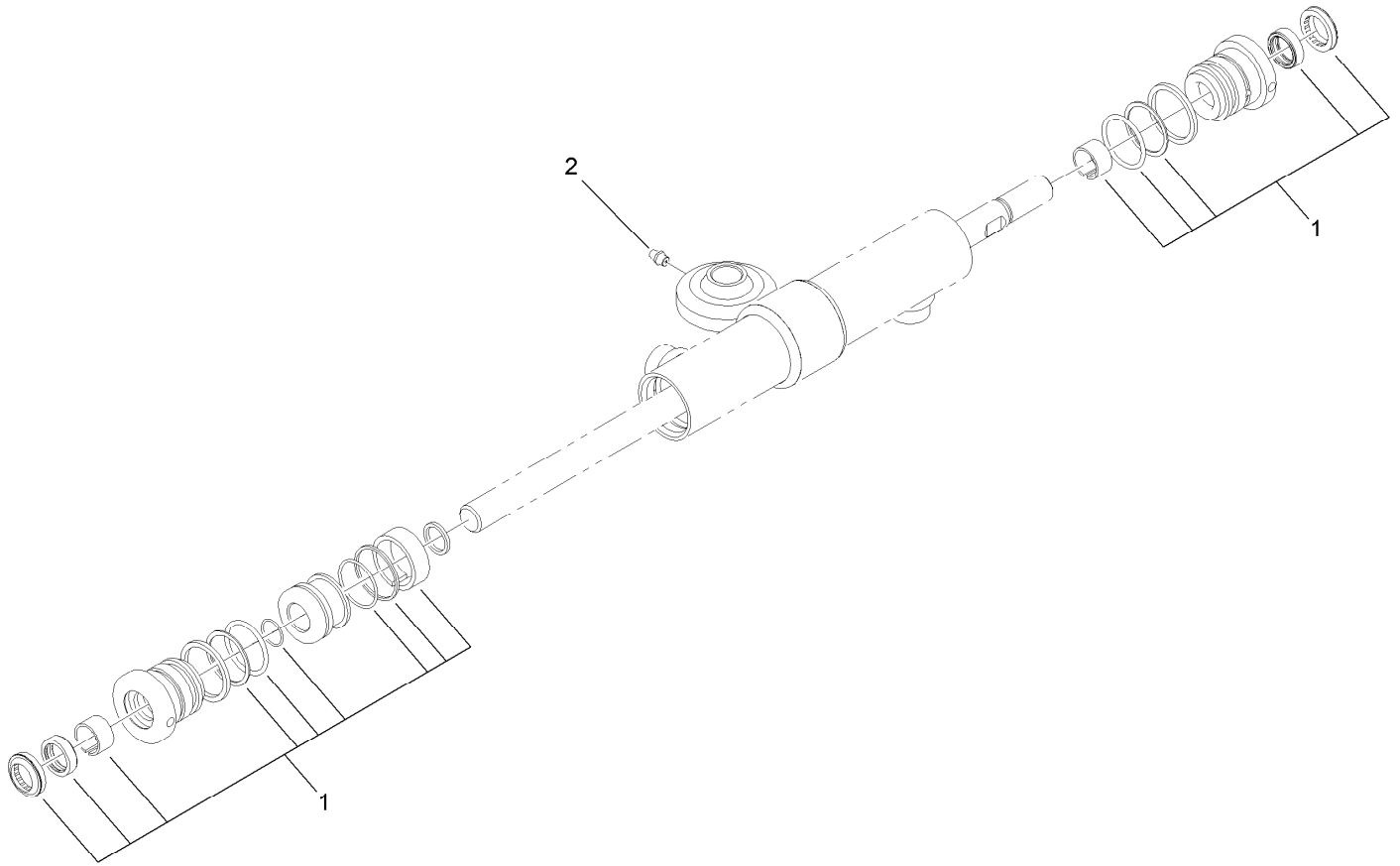


Rear Wheel Assembly

Ref.	Part Number	Qty.	Description
1	112-0296	1	HYD Cylinder ASM
2	254-70	2	Bearing-Cone
3	254-61	2	Cup-Bearing
4	18-6320	4	Washer-Steering
5	32136-9	1	Nut-Hex, Slotted
6	3272-37	1	Pin-Cotter
7	302-11	1	Fitting-Lube, 45 DEG
8	84-5300	1	Nut-Jam
9	107-2553	1	Rod End ASM
9:4	106-6896	1	Seal
9:5	302-5	1	Fitting-Grease
10	242-50	4	Nut-Lug
11		1	Wheel And Tire ASM ●
11:1	28-3680	1	Tire
11:2	217-60	1	Rim
11:3	232-27	1	Stem-Valve
11:5	232-37	1	Tube
12	74-3730	2	Spacer-Spindle, Rear

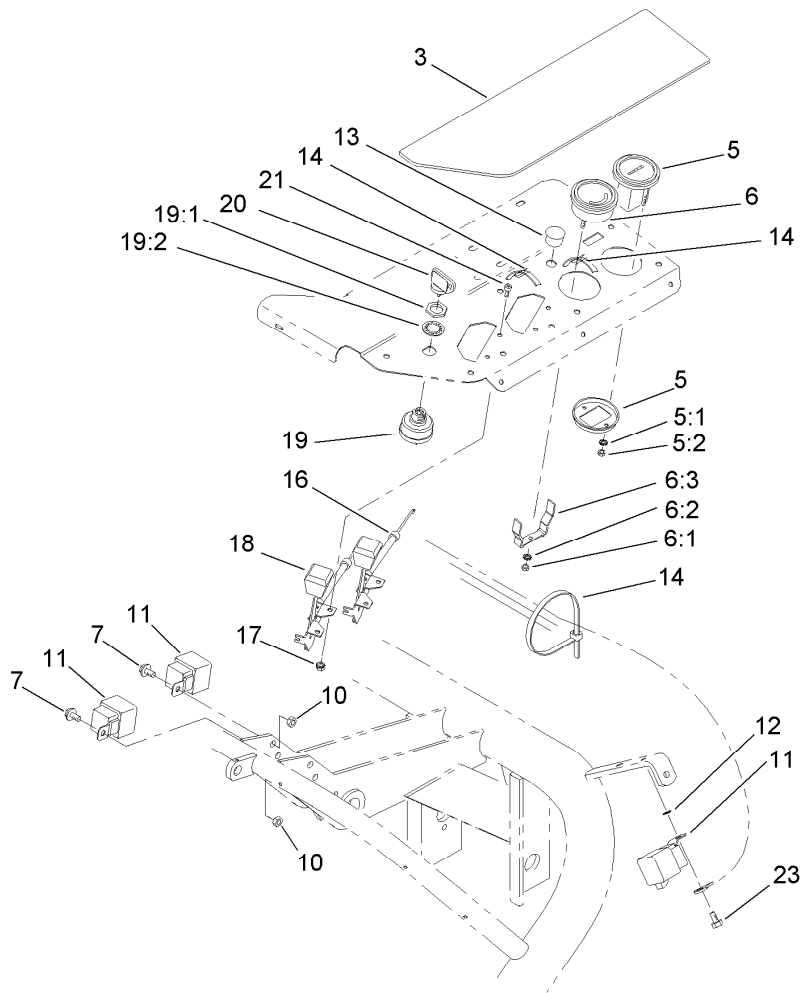
Ref.	Part Number	Qty.	Description
13	72-9710	1	Hub-Tire
13:1	253-111	2	Seal-Oil
13:2	254-78	2	Bearing-Cone
13:3	254-79	2	Bearing-Roller, Cup
13:4	75-9440	1	Hub ASM
13:5	302-11	1	Fitting-Lube, 45 DEG
13:6	10-6830	4	Stud-Type, Drive
14	5-3934	1	Bolt-Caster
15	95-5952-01	1	Fork Castor ASM
16	3256-27	1	Washer-Flat
17	3296-15	1	Nut-Lock, NI
18	3217-12	1	Nut-Hex
19	3256-28	1	Washer-Flat
20	340-132	2	Fitting-HYD, 90 DEG
20:1	237-78	1	O-Ring
20:2	237-21	1	O-Ring
21	3220-6	2	Nut-Jam

● Not serviced separately



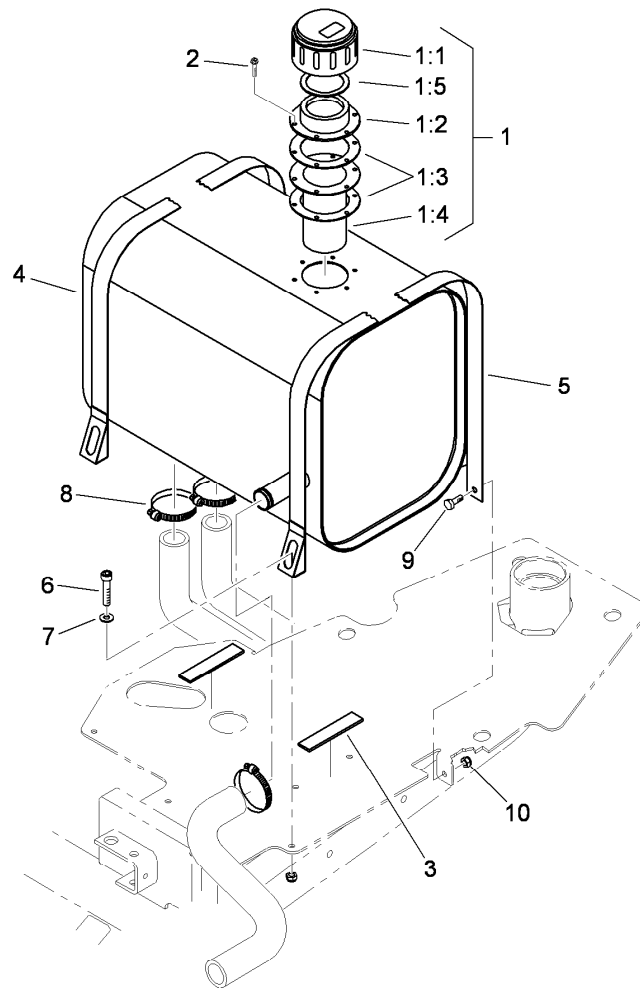
Hydraulic Cylinder Assembly No. 112-0296

<i>Ref.</i>	<i>Part Number</i>	<i>Qty.</i>	<i>Description</i>
1	112-9170	1	Kit-Seal
2	302-5	1	Fitting-Grease



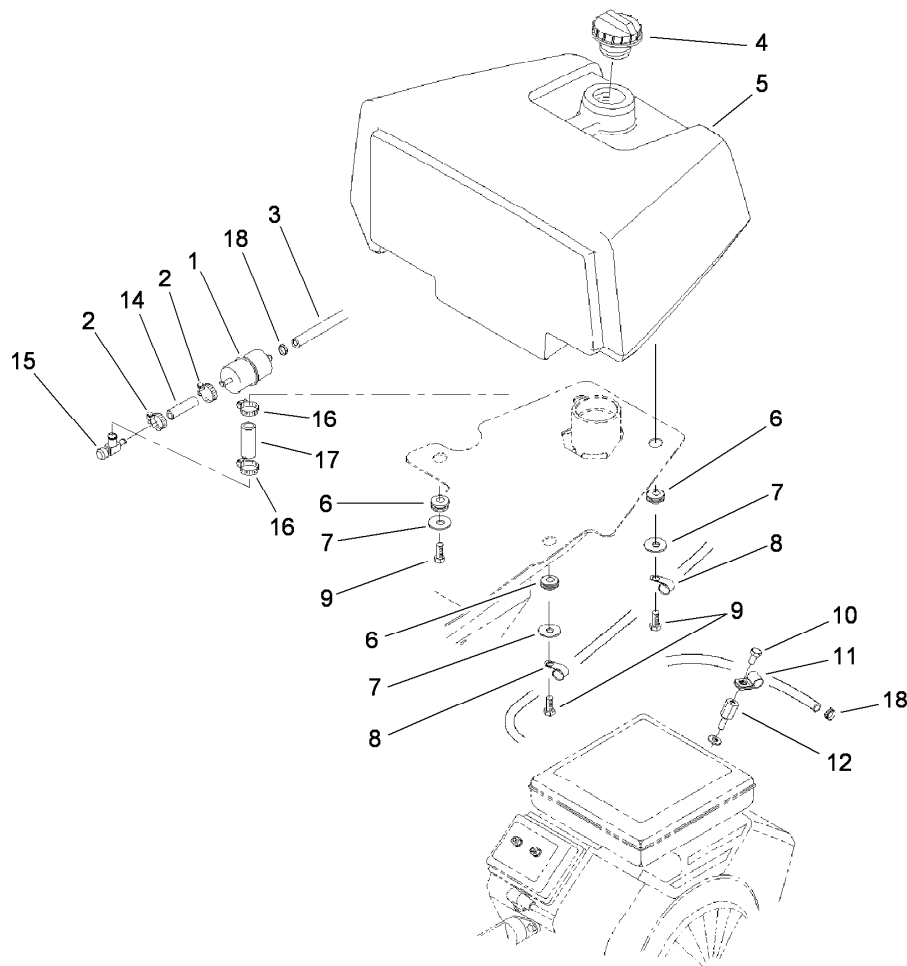
Control Panel Assembly

<i>Ref.</i>	<i>Part Number</i>	<i>Qty.</i>	<i>Description</i>
3	107-2554	1	Decal-Panel, Control
5	66-2950	1	Gauge-Hourmeter
5:1	3255-20	2	Washer-Lock
5:2	3217-25	2	Nut-Hex
6	98-2160	1	Voltmeter
6:1	3217-27	1	Nut-Hex
6:2	3255-25	1	Washer-Lock
6:3	78-0080	1	Clamp-Mounting
7	321-4	2	Screw-HH
10	3296-16	2	Nut-Lock, NI
11	99-7430	3	Relay
12	3255-7	1	Washer-Lock/EXT
13	2410-64	1	Plug-Button
14	3290-378	3	Tie-Cable
16	83-0040	1	Control-Choke
17	3296-12	4	Nut-Lock, NI
18	83-0030	1	Control-Throttle
19	104-2541	1	Switch ASM
19:1	218-461	1	Nut-HH
19:2	3254-5	1	Washer-Tooth, Internal
20	63-8360	2	Key-Ignition
21	3290-134	4	Screw
23	32104-95	1	Screw-HWH



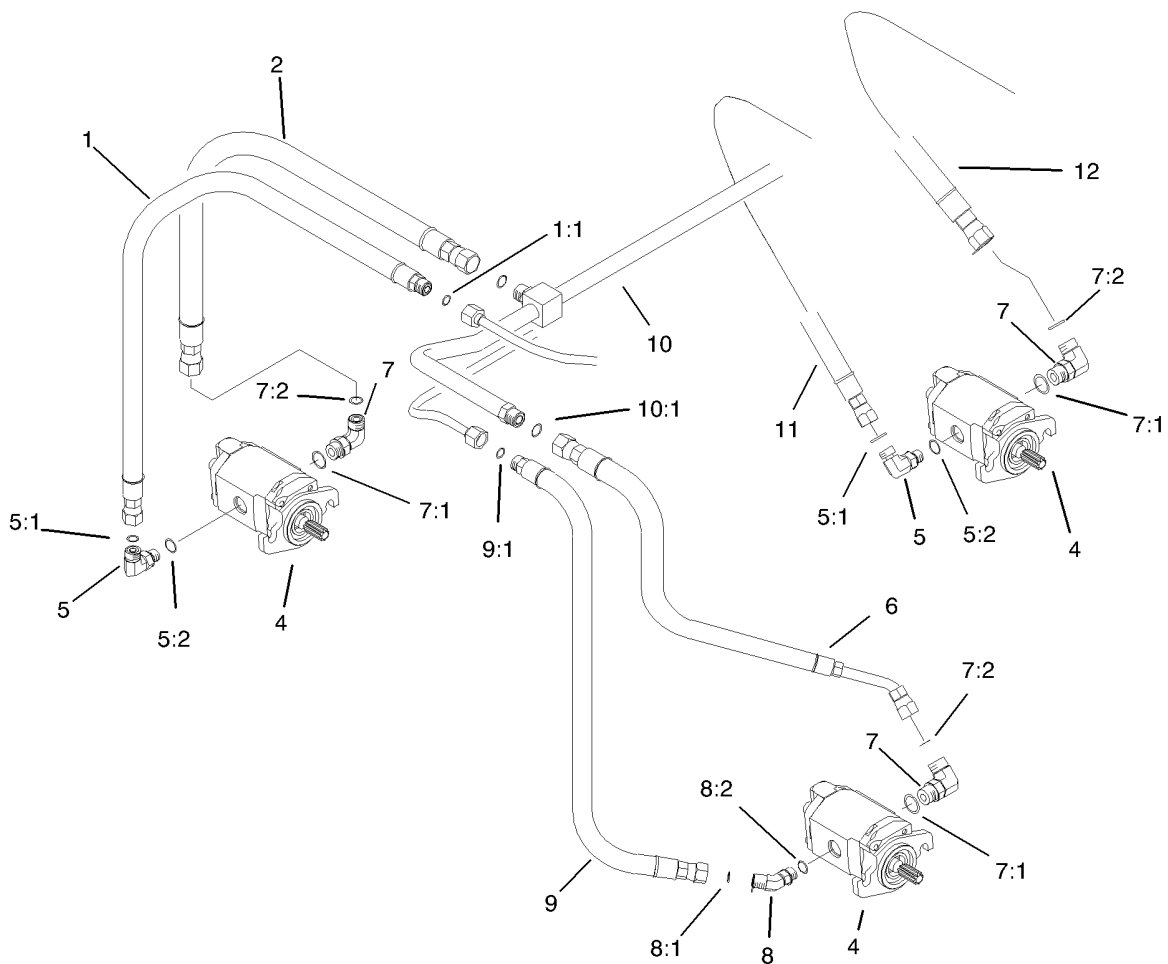
Hydraulic Reservoir Assembly

<i>Ref.</i>	<i>Part Number</i>	<i>Qty.</i>	<i>Description</i>
1	62-2570	1	Filler Cap ASM
1:1	353-962	1	Cap ASM
1:2	353-961	1	Flange
1:3	353-963	2	Gasket
1:4	62-2610	1	Strainer-Cap, Filler
1:5	76-1720	1	Gasket-Cap, Filler
2	32144-34	6	Screw-HWHTF
3	95-5951	2	Strip-Seal
4	95-7118	1	Tank-Hydraulic
5	27-2400	2	Reservoir Strap ASM
6	3274-19	2	Screw-HSH
7	3256-22	2	Washer-Flat
8	2412-34	3	Clamp-Hose
9	321-3	2	Screw-HH
10	3296-16	4	Nut-Lock, NI



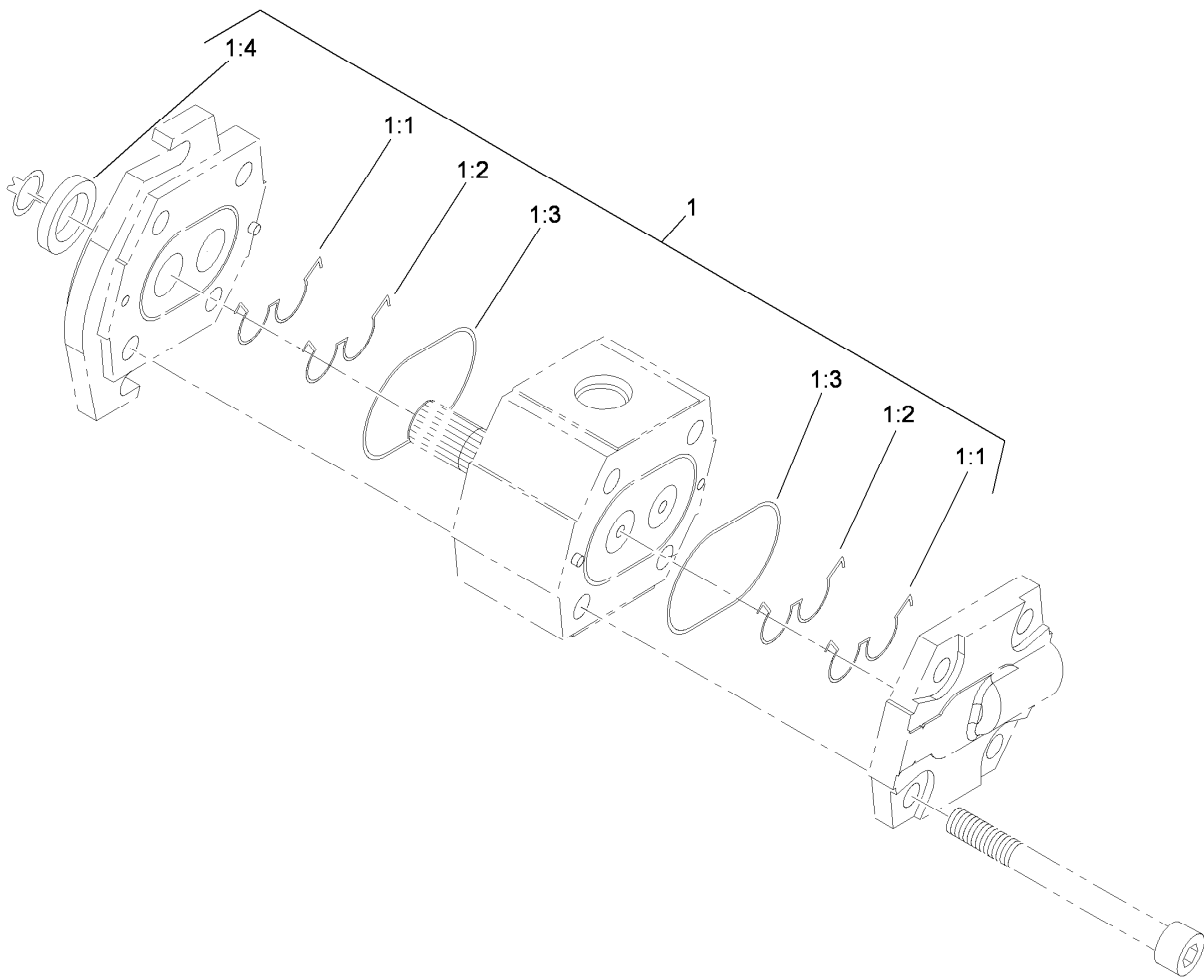
Fuel Tank Assembly

<i>Ref.</i>	<i>Part Number</i>	<i>Qty.</i>	<i>Description</i>
1	94-2690	1	Filter-Fuel
2	2412-108	2	Clamp-Worm
3	109-0275	1	Hose-Fuel
4	93-7170	1	Cap-Fuel
5	105-8266	1	Tank-Fuel
6	240-11	4	Bushing-Flange
7	63-8410	4	Washer
8	2412-41	3	Clamp
9	323-6	4	Screw-HH
10	33113-012	1	Screw-HH
11	2412-94	1	Clamp
12	106-4616	1	Screw-Spacer
14	109-0304	1	Hose-Fuel
15	83-1390	1	Valve-Shut-Off, Fuel
16	2412-36	2	Clamp-Hose
17	106-1128	1	Hose-Fuel
18	2412-98	2	Clamp



Reel Motor Installation Assembly

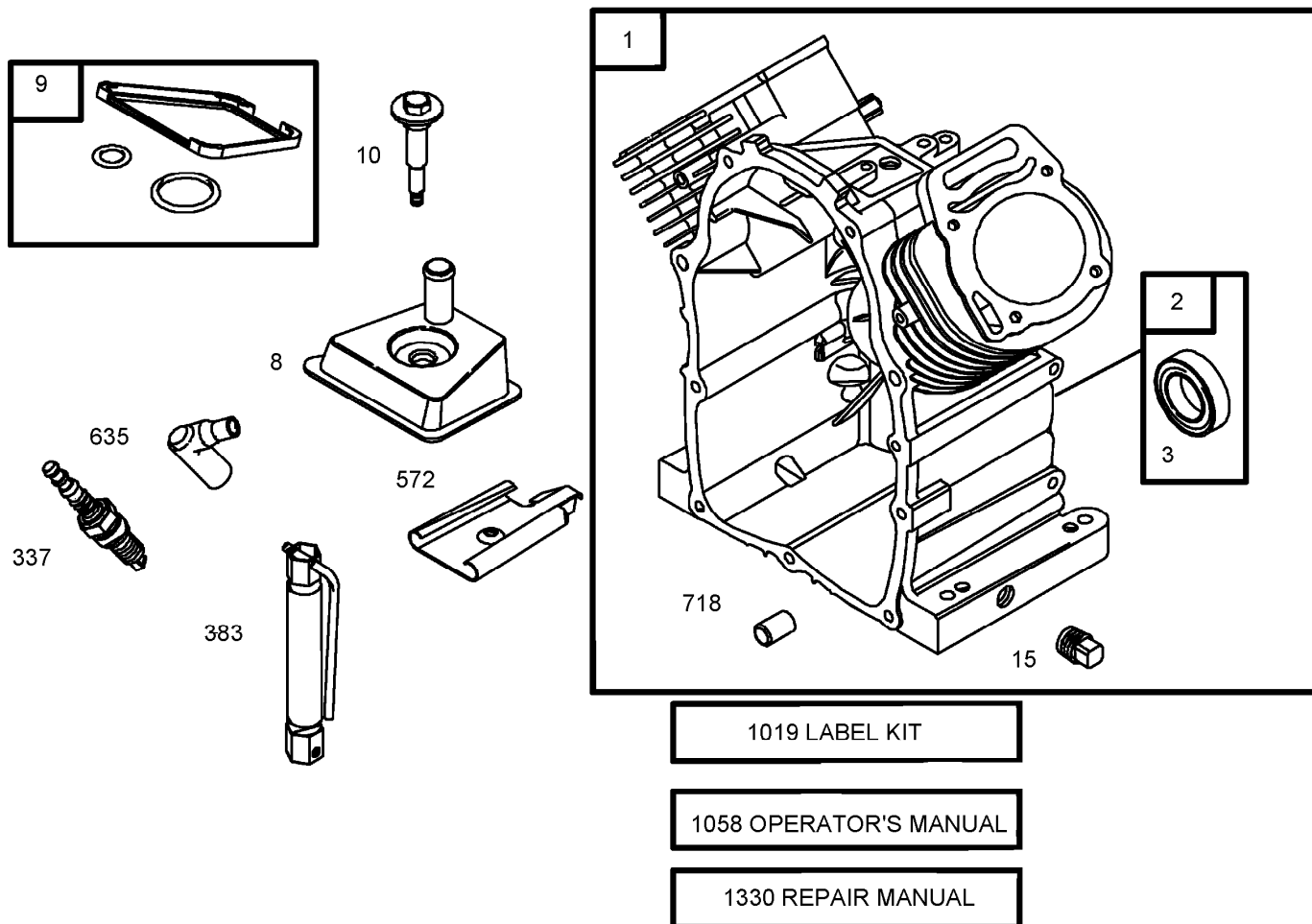
Ref.	Part Number	Qty.	Description
1	95-5984	1	Hose-HYD
1:1	237-22	1	O-Ring
2	95-5985	1	Hose-HYD
4	105-9770	3	HYD Motor ASM
5	340-77	2	Fitting-HYD, 90 DEG
5:1	237-22	1	O-Ring
5:2	237-42	1	O-Ring
6	95-5989	1	Hose-HYD
7	340-98	3	Fitting-HYD, 90 DEG
7:1	237-79	1	O-Ring
7:2	237-30	1	O-Ring
8	340-87	1	Fitting-HYD, 45 DEG
8:1	237-22	1	O-Ring
8:2	237-42	1	O-Ring
9	95-5988	1	Hose-HYD
9:1	237-22	1	O-Ring
10	100-6431	1	Tube-Return
10:1	237-30	2	O-Ring
11	95-5986	1	Hose-HYD
12	95-5987	1	Hose-HYD



Hydraulic Motor Assembly No. 105-9770

<i>Ref.</i>	<i>Part Number</i>	<i>Qty.</i>	<i>Description</i>
1	106-6362	1	Seal Kit
1:1		2	Seal-Extrusion, Anti ●
1:2		2	Seal-Pressure Loading ●
1:3		2	O-Ring ●
1:4		1	Seal-Shaft ●

● Not serviced separately

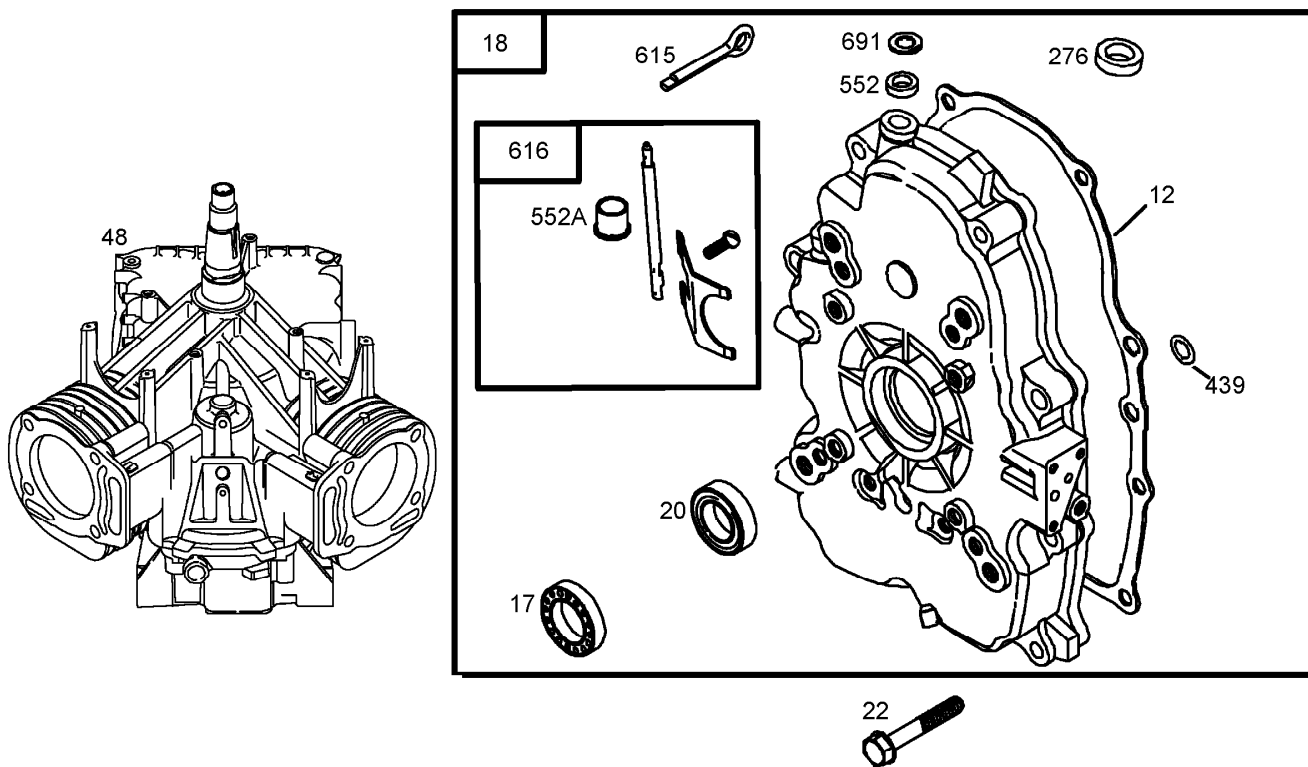


Cylinder Assembly Briggs and Stratton 356447-0200-E1

Ref.	Part Number	Qty.	Description
1	692544	1	Cylinder ASM ●
2	808534	1	Bushing-Seal Kit ●
3	805101	1	Seal-Oil ●■
8	808984	1	Breather ASM ●
9	809094	1	Gasket-Breather ●■
10	690751	1	Screw (Breather ASM) ●
15	690946	1	Plug-Drain, Oil ●
337	496018	1	Spark Plug ●
383	19374	1	Wrench-Spark Plug ●
572	690686	1	Baffle-Breather ●
635	692076	1	Boot-Spark Plug ●
718	806469	1	Pin-Locating ●
1019	808036	1	Label Kit ●
1058	276343	1	Operator Manual ●
1330	272144	1	Repair Manual ●

● Obtain parts from www.briggsandstratton.com

■ Included in Engine Gasket Set (Ref. No. 358)

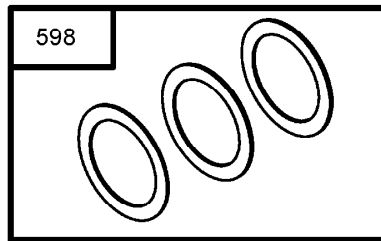
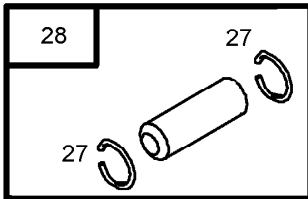
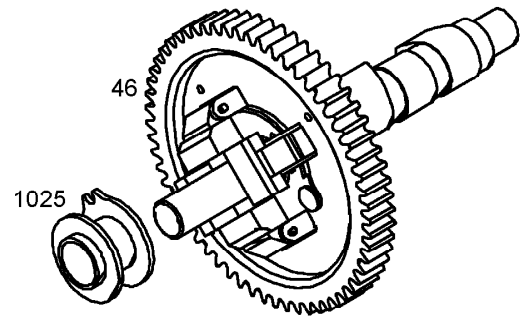
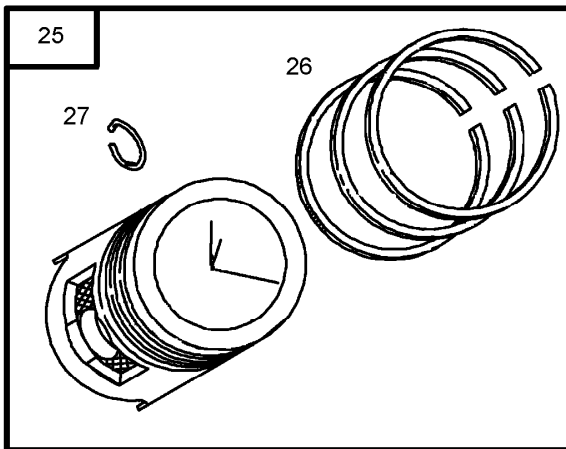
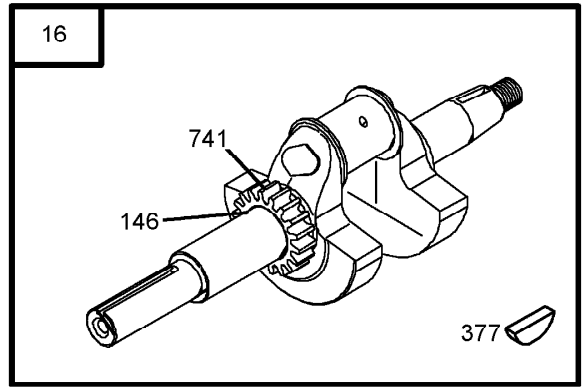
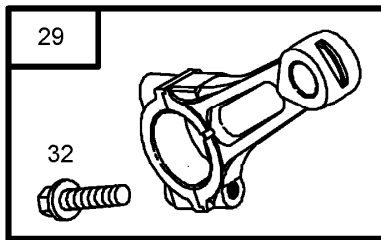


Crankcase Assembly Briggs and Stratton 356447-0200-E1

Ref.	Part Number	Qty.	Description
12	691684	1	Gasket-Crankcase ●■
17	690752	1	Bearing-Ball ●
18	808847	1	Cover-Crankcase ●
20	805049	1	Seal-Oil ●■
22	807362	1	Screw (Crankcase Cover) ●
48		1	Short Block (Not Available At Time Of Print) ●
276	690724	1	Washer-Sealing ●
439	692154	1	Seal-O Ring ●■
552	690701	1	Bushing-Crank, Governor ●
552A	806686	1	Bushing-Crank, Governor ●
615	691550	1	Retainer-Shaft, Governor ●
616	806685	1	Crank-Governor ●
691	690680	1	Seal-Shaft, Governor ●■

● Obtain parts from www.briggsandstratton.com

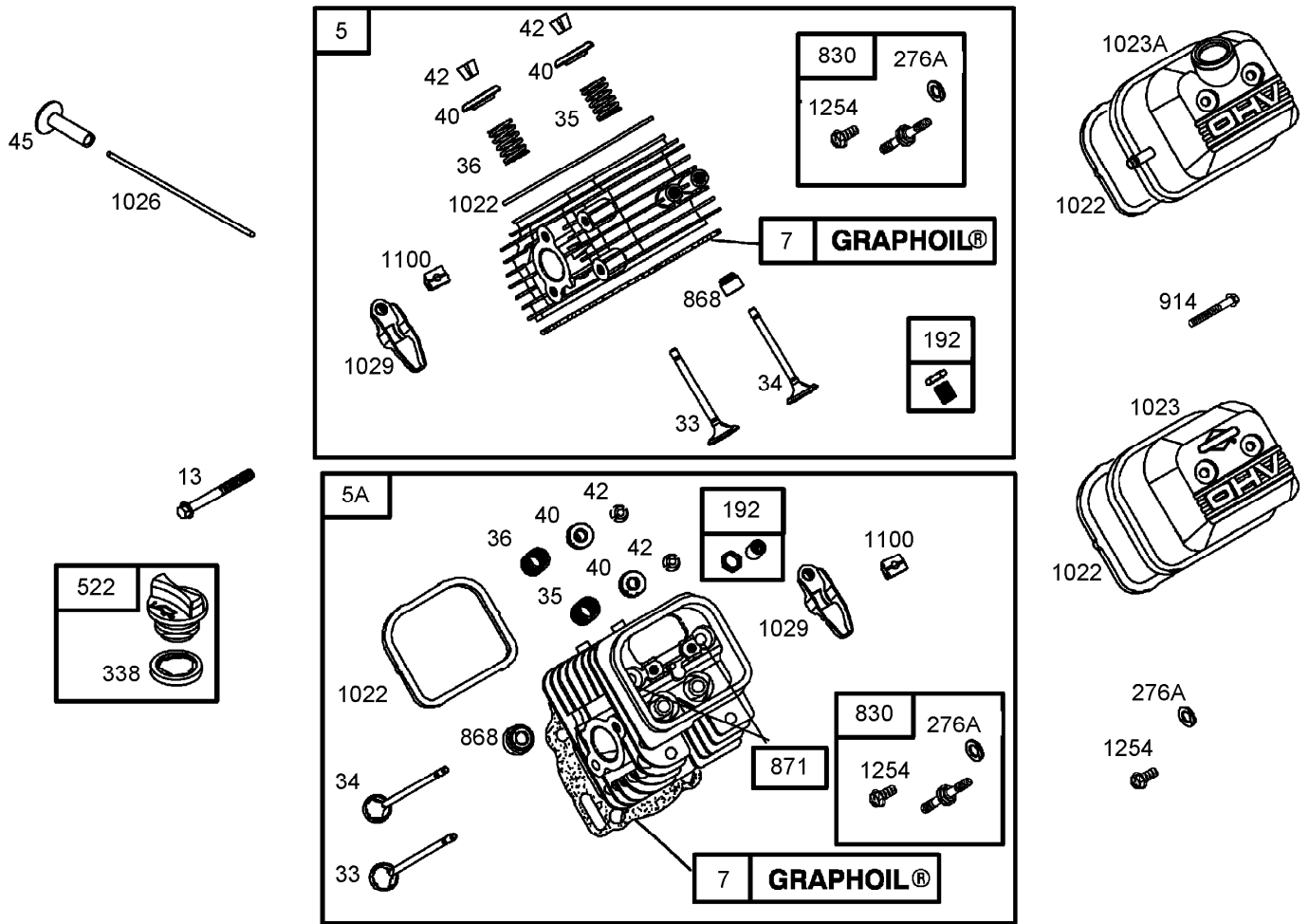
■ Included in Engine Gasket Set (Ref. No. 358)



Crankshaft Assembly Briggs and Stratton 356447-0200-E1

Ref.	Part Number	Qty.	Description
16	809842	1	Crankshaft ●
25	808326	1	Piston ASM (Standard) ●
25	808337	1	Piston ASM (.020 O.S.) ●
26	807889	1	Ring Set (Standard) ●
26	807995	1	Ring Set (.020 O.S.) ●
27	690683	1	Lock-Pin, Piston ●
28	807886	1	Pin-Piston ●
29	807900	1	Rod-Connecting (Standard) ●
29	807803	1	Rod-Connecting (.020 Undersize) ●
32	690698	1	Screw ●
46	691557	1	Camshaft ●
146	691639	1	Key-Timing ●
357	691483	1	Key pulley , Drive ●
377	808095	1	Key-Woodruff ●
598	807625	1	Shim-Play, End ●
741	691530	1	Gear-Timing ●
1025	690689	1	Spool-Governor ●
1133	690342	1	Screw (Crankshaft) ●

● Obtain parts from www.briggsandstratton.com

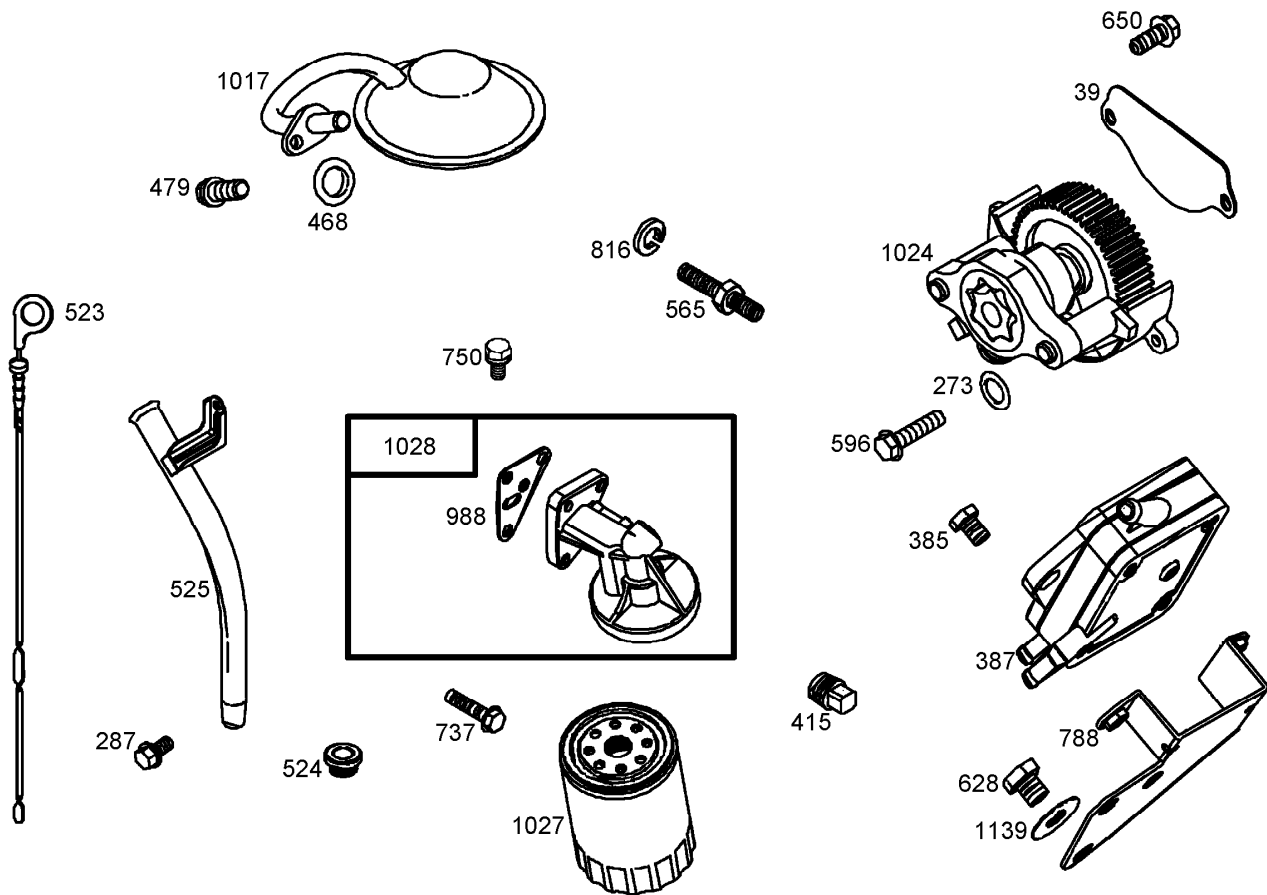


Cylinder Head Assembly Briggs and Stratton 356447-0200-E1

Ref.	Part Number	Qty.	Description	Ref.	Part Number	Qty.	Description
5	809185	1	Cylinder Head (No. 1) ●	522	491832	1	Plug-Fill, Dipstick ●
5A	809186	1	Cylinder Head (No. 2) ●	830	809157	1	Stud-Arm, Rocker ●
7	690888	1	Gasket-Head, Cylinder ■●▲	868	691963	1	Seal-Valve ■▲●
13	692059	1	Screw (Cylinder Head) ●	871	692057	1	Bushing-Guide, Valve ●
33	807681	1	Valve-Exhaust ●	914	807120	1	Screw (Rocker Cover) ●
34	807680	1	Valve-Intake ●	1022	806039	1	Gasket-Cover, Rocker ■▲●
35	692084	1	Spring-Valve ●	1023	691494	1	Cover-Valve ●
36	692084	1	Spring-Valve ●	1023A	690910	1	Cover-Valve ●
40	692058	1	Retainer-Valve ●	1026	691836	1	Rod-Push (Intake) ●
42	807683	1	Keeper-Valve ●	1026	691758	1	Rod-Push (Exhaust) ●
45	690977	1	Tappet-Valve ●	1029	807323	1	Arm-Rocker ●
192	807623	1	Adjuster-Arm, Rocker ●	1100	690973	1	Pivot-Arm, Rocker ●
276A	807085	1	Washer-Sealing ■▲●	1254	807084	1	Screw (Rocker Arm Stud) ●
338	691312	1	Seal-O Ring ■▲●				

● Obtain parts from www.briggsandstratton.com
▲ Included in Valve Gasket Set (Ref. No. 1095)

■ Included in Engine Gasket Set (Ref. No. 358)

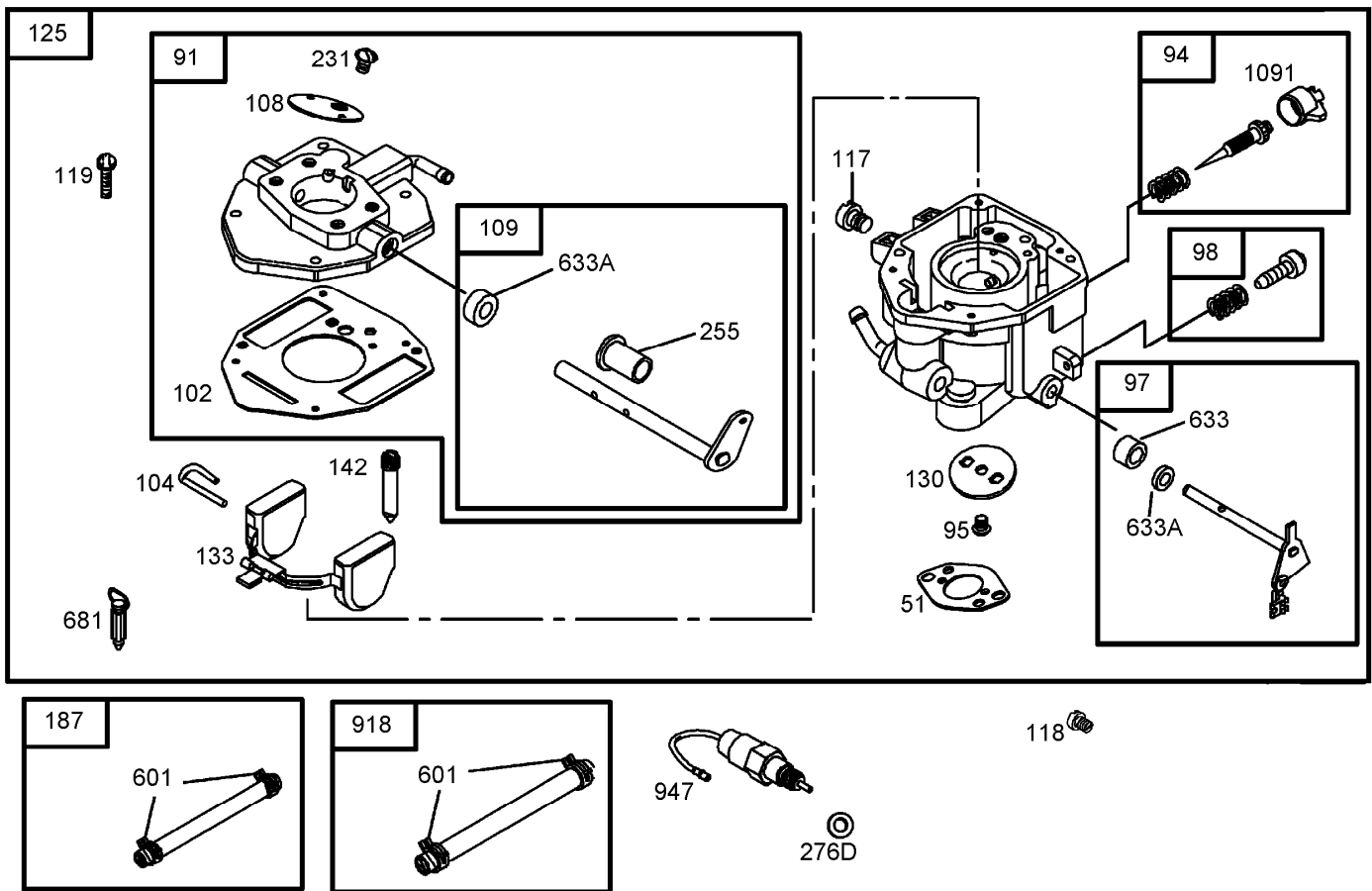


Oil Filter, Tube and Pump Assembly Briggs and Stratton 356447-0200-E1

Ref.	Part Number	Qty.	Description	Ref.	Part Number	Qty.	Description
39	690745	1	Deflector-Oil ●	628	692062	1	Screw ●
273	690681	1	Seal-O Ring ■●	650	841233	1	Screw ●
287	692062	1	Screw ●	737	690679	1	Screw (Oil Filter Adapter) ●
385	807084	1	Screw ●	750	692539	1	Screw ●
387	808969	1	Pump-Fuel ●	788	691559	1	Bracket-Pump, Fuel ●
415	690283	1	Plug-Oil ●	816	690706	1	Washer ●
468	690690	1	Seal-O Ring ■●	988	692063	1	Gasket-Adapter, Oil Filter ● ■
479	807084	1	Screw ●	1017	690900	1	Screen-Pump, Oil ●
523	693175	1	Dipstick ●	1024	693185	1	Pump-Oil ●
524	693172	1	Seal-Tube, Dipstick ■▲●	1027	492932	1	Filter-Oil ●
525	693174	1	Tube-Dipstick ●	1028	808235	1	Adapter-Filter, Oil ●
565	690682	1	Stud (Oil Filter Adapter) ●	1139	806497	1	Washer ●
596	691492	1	Screw ●				

● Obtain parts from www.briggsandstratton.com
▲ Included in Valve Gasket Set (Ref. No. 1095)

■ Included in Engine Gasket Set (Ref. No. 358)

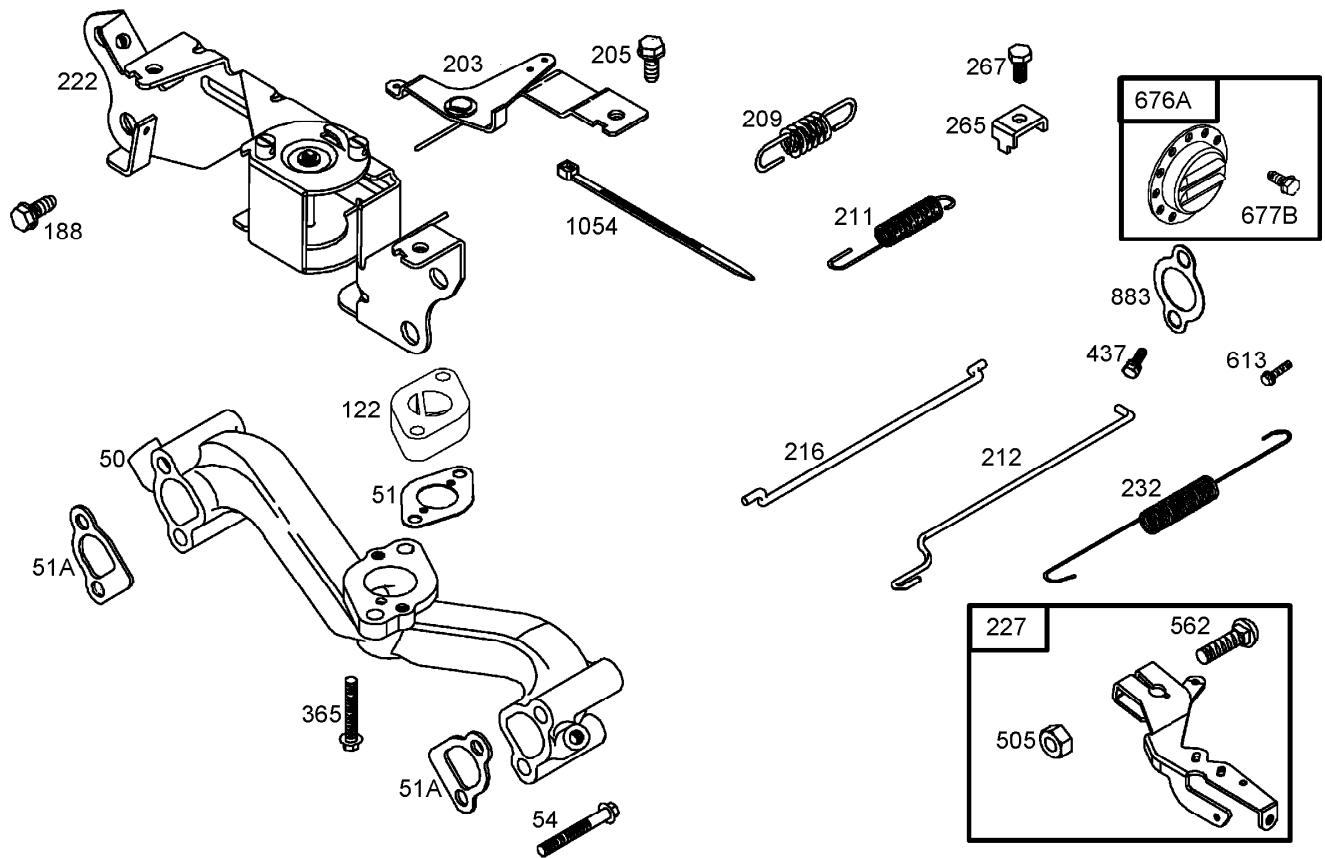


Carburetor Assembly Briggs and Stratton 356447-0200-E1

Ref.	Part Number	Qty.	Description	Ref.	Part Number	Qty.	Description
51	691694	1	Gasket-Intake ■●	130	690726	1	Valve-Throttle ●
91	809208	1	Upper Carburetor Body ASM ●	133	806961	1	Float-Carburetor ●
94	808257	1	Idle Mixture Kit ●▲	142	690725	1	Nozzle-Carburetor ●
95	690718	1	Screw ●	187	791766	1	Line-Fuel ●
97	807495	1	Shaft throttle ●	231	690718	1	Screw ●
98	808981	1	Idle Speed Kit ●	255	690721	1	Bushing-Shaft, Choke ▲●
102	692077	1	Gasket-Body, Carburetor ▲ ●	276D	806137	1	Washer-Sealing ●
104	690723	1	Pin-Hinge, Float ▲●	601	791850	1	Clamp-Hose ●
108	690719	1	Valve-Choke ●	633	806131	1	Seal-Shaft, Choke Throttle ▲●
109	809096	1	Shaft-Choke ●	633A	690722	1	Seal-Shaft, Choke Throttle ▲●
117	690862	1	Jet main (STD) ▲●	681	808798	1	Valve-Needle, Float ●▲
118	809442	1	Jet main (High Altitude) ●	918	393815	1	Line-Vacuum ●
119	690720	1	Screw ●	947	692094	1	Solenoid-Fuel ●
125	809217	1	Carburetor ●	1091	691516	1	Cap-Limiter ●▲

● Obtain parts from www.briggsandstratton.com
▲ Included in Carburetor Overhaul Kit (Ref. No. 121)

■ Included in Engine Gasket Set (Ref. No. 358)

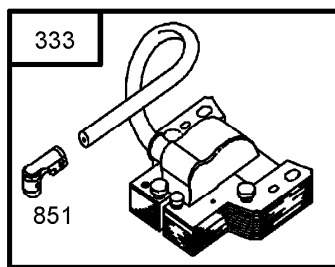


Governor Assembly Briggs and Stratton 356447-0200-E1

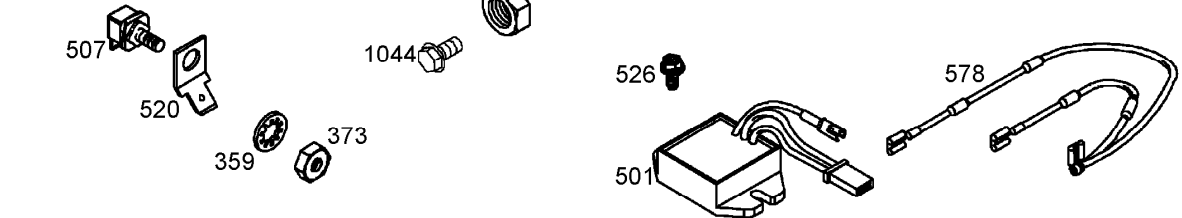
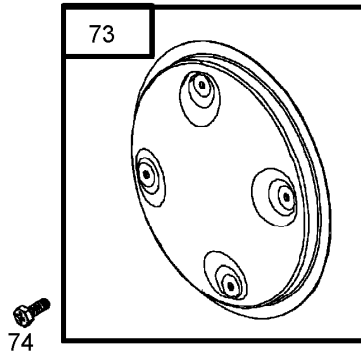
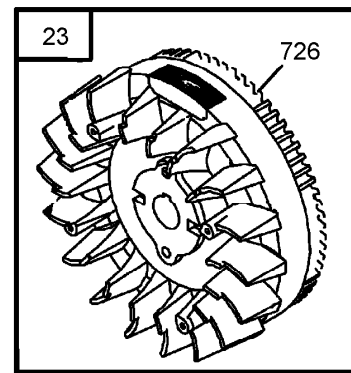
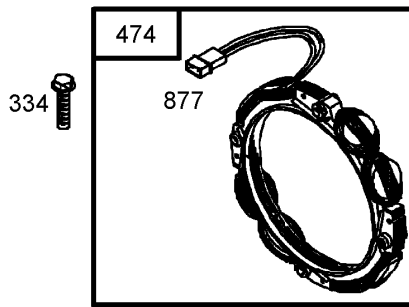
Ref.	Part Number	Qty.	Description	Ref.	Part Number	Qty.	Description
50	690754	1	Manifold-Intake ●	227	690236	1	Lever-Control, Governor ●
51	691694	1	Gasket-Intake ■●	232	692073	1	Spring-Link, Governor ●
51A	692035	1	Gasket-Intake ■▲●	265	691024	1	Clamp-Casing ●
54	690676	1	Screw ●	267	692083	1	Screw ●
122	690691	1	Spacer-Carburetor ●	365	690711	1	Screw ●
188	692056	1	Screw ●	437	691902	1	Screw (Exhaust Manifold) ●
203	690923	1	Crank-Bell ●	505	690238	1	Nut ●
205	692083	1	Screw ●	562	690239	1	Bolt ●
209	806872	1	Spring-Governor ●	613	691902	1	Screw (Muffler) ●
211	806868	1	Spring-Idle, Governor ●	676A	397630	1	Deflector-Exhaust ●
212	690712	1	Link-Throttle ●	677B	690661	1	Screw ●
216	690705	1	Link-Choke ●	883	691613	1	Gasket-Exhaust ●■▲
222	808454	1	Bracket-Control ●	1054	280275	1	Tie-Cable ●

● Obtain parts from www.briggsandstratton.com
▲ Included in Valve Gasket Set (Ref. No. 1095)

■ Included in Engine Gasket Set (Ref. No. 358)



1036 LABEL-EMISSION



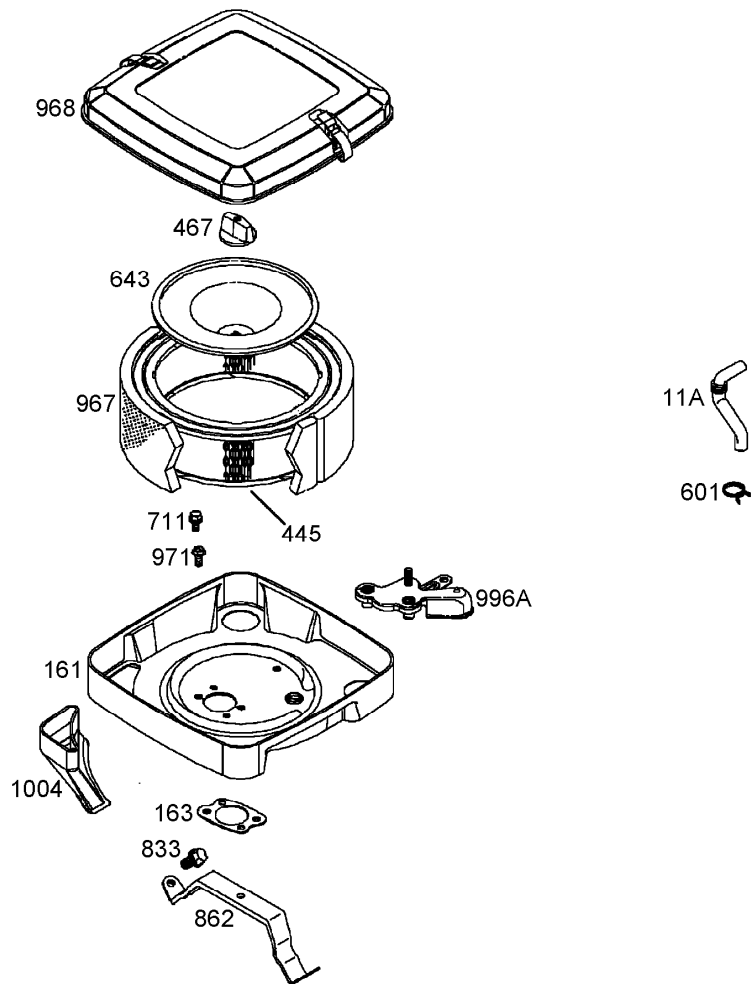
Blower Housing Assembly Briggs and Stratton 356447-0200-E1

Ref.	Part Number	Qty.	Description
23	841050	1	Flywheel ■
73	841440	1	Screen rotating ■
74	841441	1	Screw ■
332	690887	1	Nut ■
333	492341	1	Armature-Magneto ■
334	692066	1	Screw (Magneto Armature) ■
359	691077	1	Washer ■
363	19203	1	Puller-Flywheel ■
373	691612	1	Nut ■
474	696458	1	Alternator ■
501	691185	1	Regulator ■
507	691972	1	Insulator ■
520	691084	1	Terminal-Ground ■

Ref.	Part Number	Qty.	Description
526	692067	1	Screw ■
529	690744	1	Grommet ■
578	692319	1	Wire ASM ■
726	726	1	Gear ring ●■
729	690586	1	Clip-Wire ■
851	493880	1	Terminal-Spark Plug ■
877	399916	1	Connector-Wire, Alternator ■
934	691058	1	Screw ■
1005	841439	1	Fan flywheel ■
1006	690452	1	Retainer-Fan ■
1036	842669	1	Label emission ■
1044	692056	1	Screw ■
1119	691552	1	Screw (Alternator) ■

● Not serviced separately

■ Obtain parts from www.briggsandstratton.com

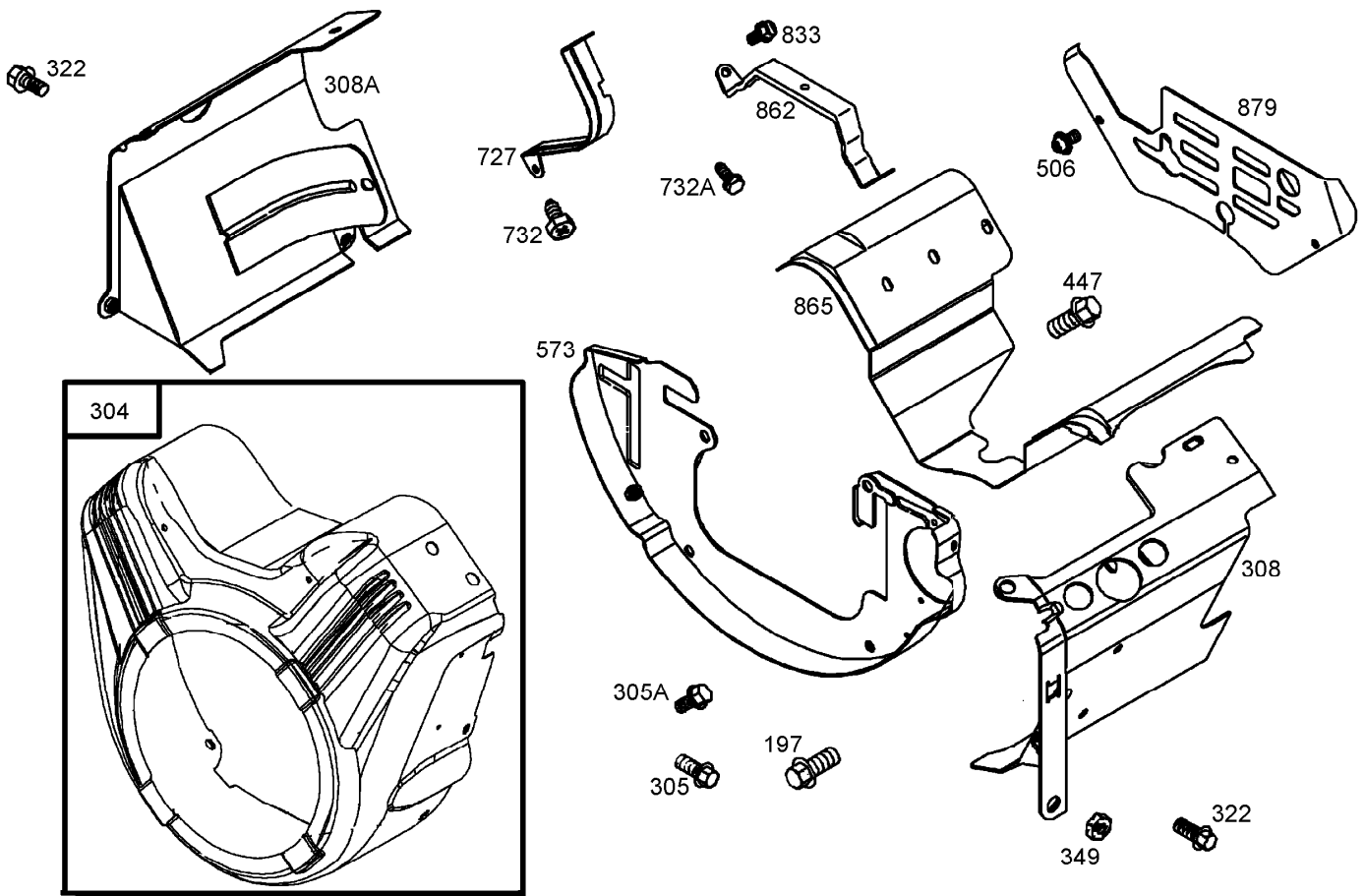


Air Cleaner Assembly Briggs and Stratton 356447-0200-E1

Ref.	Part Number	Qty.	Description
11A	806083	1	Tube-Breather ●
161	691561	1	Base-Cleaner, Air ●
163	692081	1	Gasket-Cleaner, Air ●■
445	394018	1	Filter-Air ●
467	691985	1	Knob-Cleaner, Air ●
601	691038	1	Clamp-Hose ●
643	692079	1	Retainer-Filter, Air ●
711	841233	1	Screw ●
833	841233	1	Screw ●
862	692153	1	Strap-Stud Mounting, Air Cleaner ●
967	272490	1	Filter-Air ●
968	699959	1	Cover cleaner , Air ●
971	807084	1	Screw ●
996A	691577	1	Shield-Carburetor ●
1004	807121	1	Duct air ●

● Obtain parts from www.briggsandstratton.com

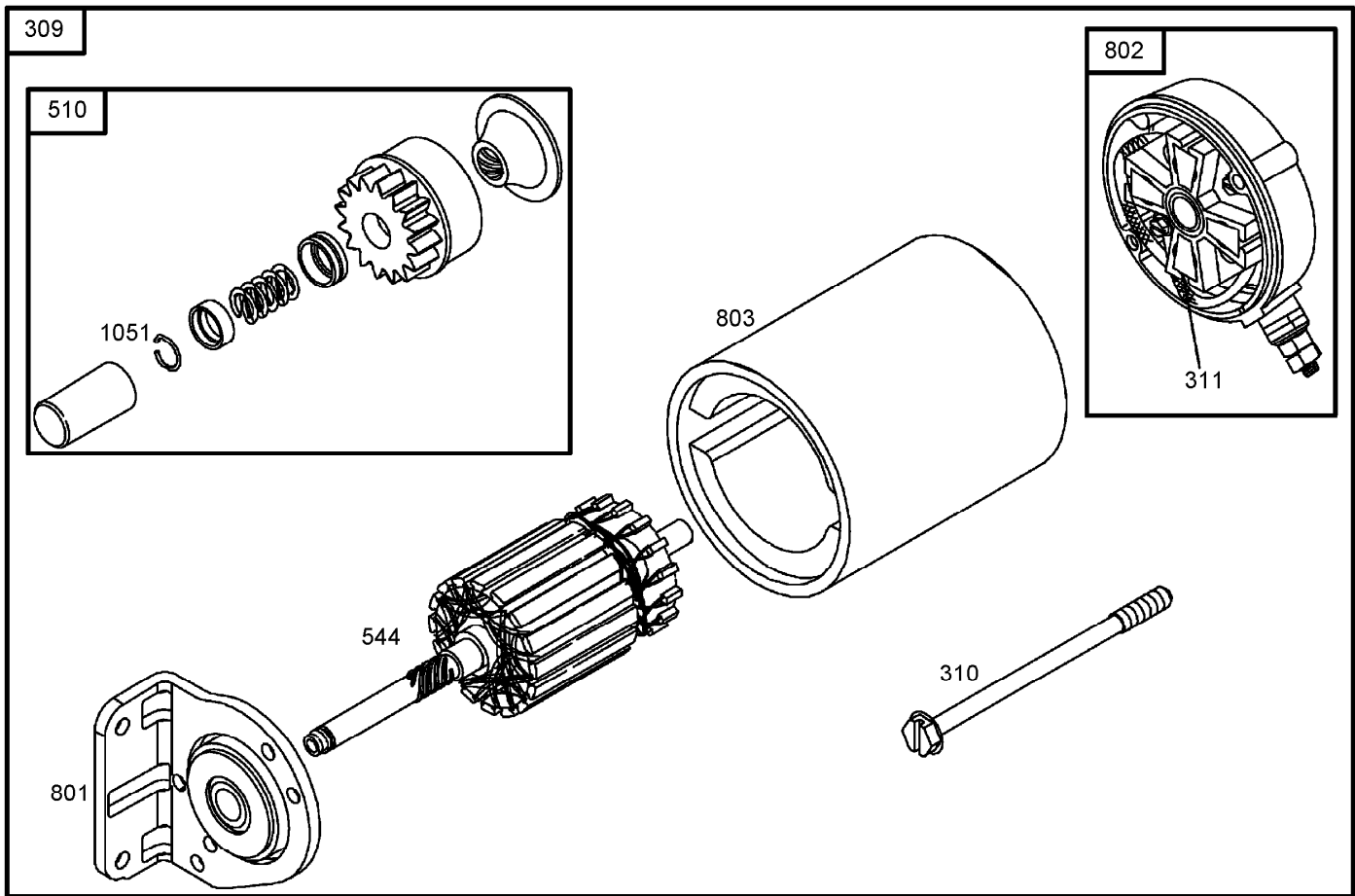
■ Included in Engine Gasket Set (Ref. No. 358)



Blower Housing Assembly Briggs and Stratton 356447-0200-E1

Ref.	Part Number	Qty.	Description
197	807163	1	Screw (Back Plate) ●
304	841397	1	Housing blower ●
305	841233	1	Screw (Blower Housing) ●
305A	692056	1	Screw (Blower Housing) ●
308	841232	1	Cover-Head, Cylinder ●
308A	841182	1	Cover-Head, Cylinder ●
322	841233	1	Screw ●
349	690238	1	Nut ●
447	841233	1	Screw ●
506	807120	1	Screw ●
573	841310	1	Plate back ●
727	841313	1	Cover drive, Starter ●
732	690688	1	Screw ●
732A	841233	1	Screw ●
833	841233	1	Screw ●
862	692153	1	Strap-Stud Mounting, Air Cleaner ●
865	807119	1	Cover-Guide, Air ●
879	807118	1	Cover carburetor ●

● Obtain parts from www.briggsandstratton.com

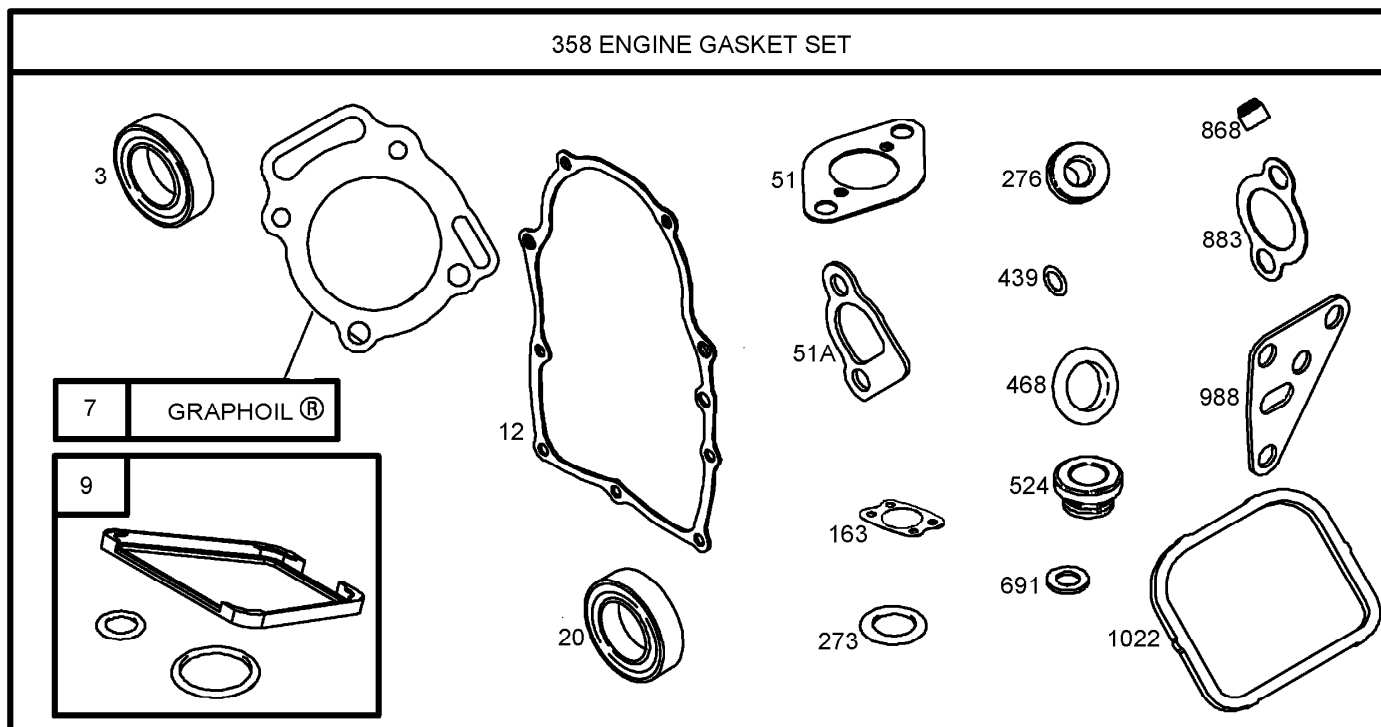


Starter Assembly Briggs and Stratton 356447-0200-E1

<i>Ref.</i>	<i>Part Number</i>	<i>Qty.</i>	<i>Description</i>
309	691564	1	Motor-Starter ●
310	496880	1	Bolt-Thru (Starter Motor) ●
311	496887	1	Brush Set ●
510	496881	1	Drive-Starter ●
544	690855	1	Armature-Starter ●
697	692062	1	Screw (Drive Cap) ●
801	808778	1	Cap-Drive ●
802	496813	1	Cap-End ●
803	690854	1	Housing-Starter ●
1051	691124	1	Ring-Lock ●

● Obtain parts from www.briggsandstratton.com

358 ENGINE GASKET SET



358 Engine Gasket Set Briggs and Stratton 356447-0200-E1

Ref.	Part Number	Qty.	Description
3	805101	1	Seal-Oil ●
7	690888	1	Gasket-Head, Cylinder ●■
9	809094	1	Gasket-Breather ●
12	691684	1	Gasket-Crankcase ●
20	805049	1	Seal-Oil ●
51	691694	1	Gasket-Intake ●
51A	692035	1	Gasket-Intake ●■
163	692081	1	Gasket-Cleaner, Air ●
273	690681	1	Seal-O Ring ●
276	690724	1	Washer-Sealing ●■
358	841188	1	Engine Gasket Set ●
439	692154	1	Seal-O Ring ●
468	690690	1	Seal-O Ring ●
524	693172	1	Seal-Tube, Dipstick ●■
691	690680	1	Seal-Shaft, Governor ●
868	691963	1	Seal-Valve ●■
883	691613	1	Gasket-Exhaust ●■
988	692063	1	Gasket-Adapter, Oil Filter ●
1022	806039	1	Gasket-Cover, Rocker ●■

● Obtain parts from www.briggsandstratton.com

■ Included in Valve Gasket Set (Ref. No. 1095)

Attachments and Accessories

For 04356 Greensmaster 3100 2-Wheel Drive

Product Name	Model/Part
Turf Evaluator	04399
Variable Traction Control Kit	04422
Spiker Kit	04494
Tri-Roller Kit.....	04495
Dethatching Reel ASM	04496
8-Blade DPA Reel Mower	04610
11-Blade DPA Reel Mower	04611
Light Kit.....	105-3848
Replacement Muffler Kit	114-4640
Traction Tire.....	231-127
Arm Rest Kit.....	30707
Backlapping Kit.....	92-9656

Notes:

Notes:



Count on it.