



Bed Mount Sound Barrier Kit

Pro Force Debris Blower

Model No. 44546—Serial No. 311000001 and Up

Installation Instructions

Loose Parts

Use the chart below to verify that all parts have been shipped.

Procedure	Description	Qty.	Use
1	Top panel	1	Assemble the sound shield.
	Side panel	2	
	Lower panel	2	
	Carriage bolt (3/8 x 3/4 inches)	10	
	Wide flange nut (3/8 inch)	10	
	Bolt (3/8 x 3/4 inches)	14	
	Flange nut (3/8 inch)	14	
2	Sound shield	1	Install the sound shield.
	Sound shield frame	1	
	Brace	4	
	Angle bracket	4	
	Cross brace	2	
	Bolt (3/8 x 1 inch)	18	
	Flange nut (3/8 inch)	18	

1

Assembling the Sound Shield

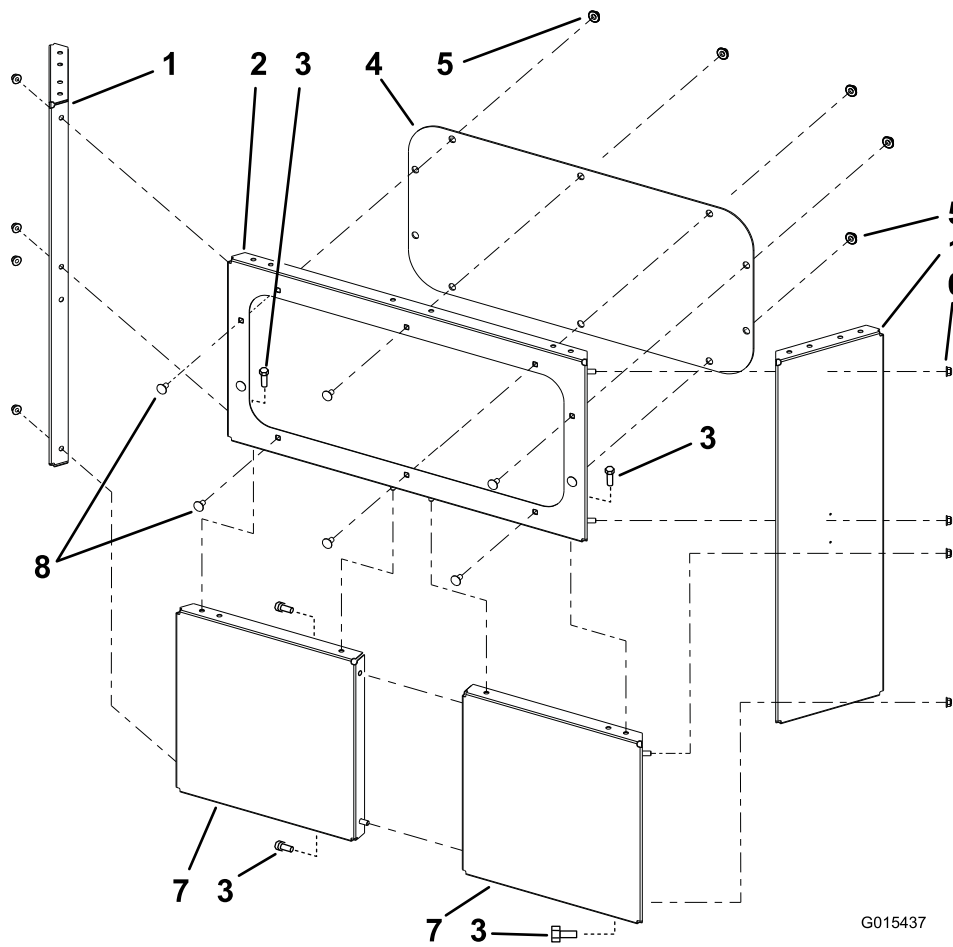
Parts needed for this procedure:

1	Top panel
2	Side panel
2	Lower panel
10	Carriage bolt (3/8 x 3/4 inches)
10	Wide flange nut (3/8 inch)
14	Bolt (3/8 x 3/4 inches)
14	Flange nut (3/8 inch)

Procedure

1. Remove the protective plastic from the window.
2. Install the window to the top panel with 10 carriage bolts (3/8 x 3/4 inches) and 10 wide flange nuts (3/8 inch) (Figure 1).
3. Connect the two lower panels together with 2 bolts (3/8 x 3/4 inches) and 2 flange nuts (3/8 inch) (Figure 1).

4. Install the top panel to the lower panels with 4 bolts (3/8 x 3/4 inches) and 4 flange nuts (3/8 inch) (Figure 1).
5. Install a side panel to the top and lower panel with 4 bolts (3/8 x 3/4 inches) and 4 flange nuts (3/8 inch) (Figure 1).
6. Install a side panel to the top and lower panels with 4 bolts (3/8 x 3/4 inches) and 4 flange nuts (3/8 inch) (Figure 1).



G015437

Figure 1

- | | |
|--|--|
| <ul style="list-style-type: none"> 1. Side panel 2. Top panel 3. Bolt (3/8 x 3/4 inches) 4. Window | <ul style="list-style-type: none"> 5. Wide flange nut (3/8 inch) 6. Flange nut (3/8 inch) 7. Lower panel 8. Carriage bolt (3/8 x 3/4 inches) |
|--|--|

2

Installing the Sound Shield

Parts needed for this procedure:

1	Sound shield
1	Sound shield frame
4	Brace
4	Angle bracket
2	Cross brace
18	Bolt (3/8 x 1 inch)
18	Flange nut (3/8 inch)

5. Install sound shield and bottom braces to the sound shield frame with 4 bolts (3/8 x 1 inch) and 4 flange nuts (3/8 inch) (Figure 3).
6. Install the 4 angle brackets to the sound shield and skid plates with 4 bolts (3/8 x 1 inch) and 4 flange nuts (3/8 inch) (Figure 3).
7. Install the cross braces to the angle brackets with 4 bolts (3/8 x 1 inch) and 4 flange nuts (3/8 inch) (Figure 3).

Procedure

1. If installed, remove the short tube from the blower (Figure 2). Save the hardware to install the sound shield.

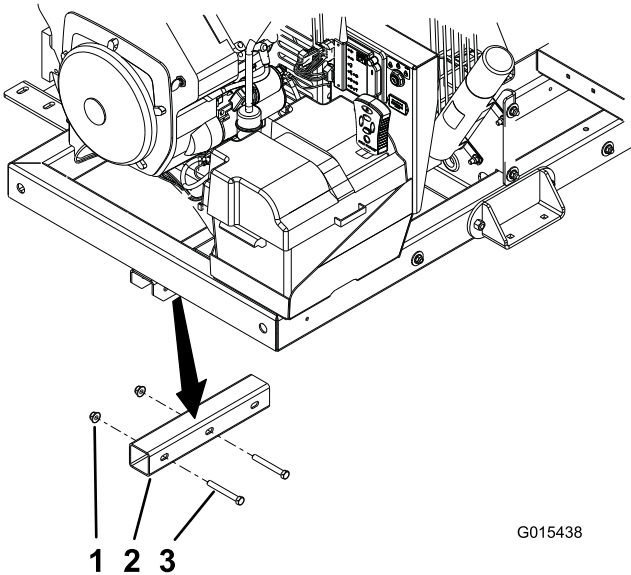
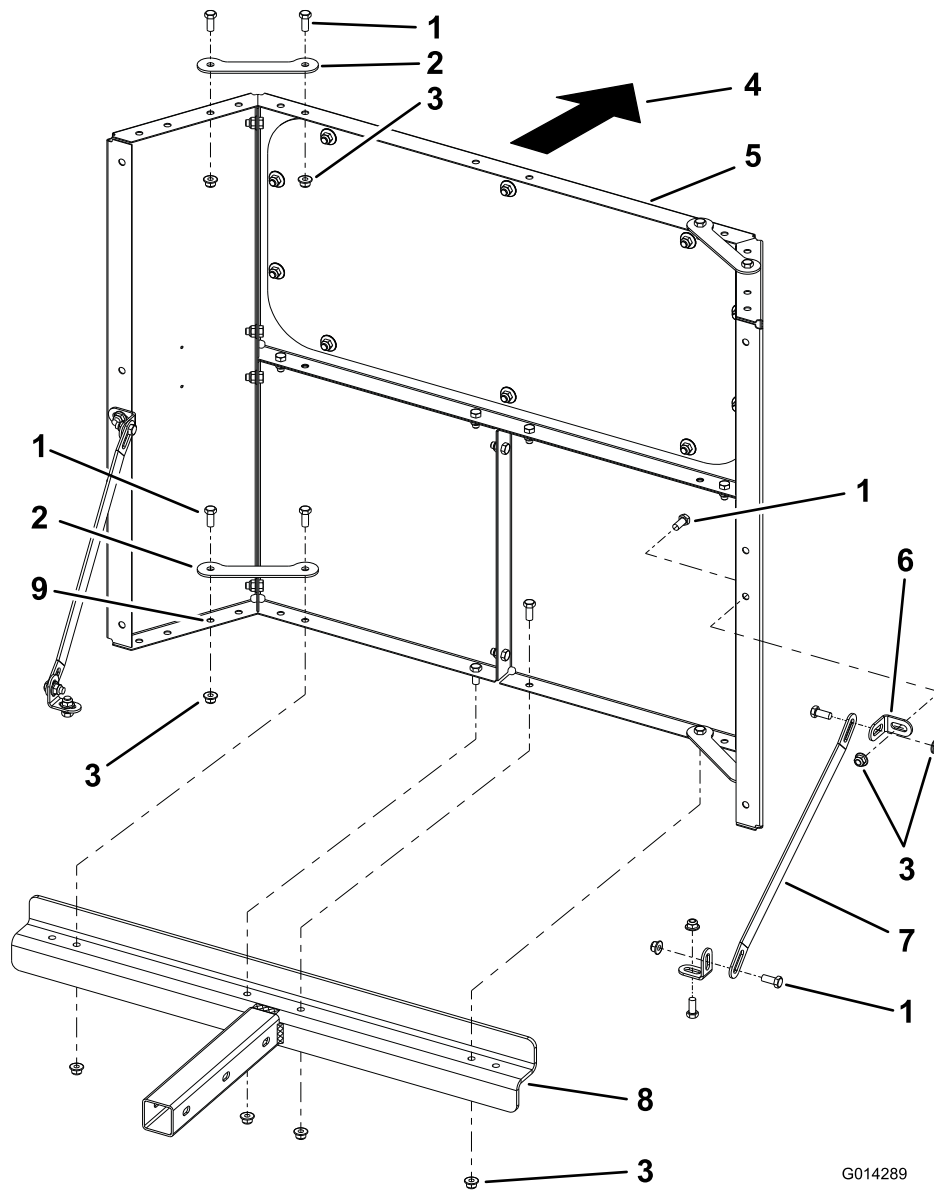


Figure 2

1. Flange nut (3/8 inch)
2. Short tube
3. Bolt (3/8 x 3 inches)

2. Install the sound shield frame to the ProForce frame. The hardware is included in the Bed Mount Kit.
3. Install 2 braces to the top of the sound shield with 4 bolts (3/8 x 1 inch) and 4 flange nuts (3/8 inch) (Figure 3).
4. Using the two outside holes, install 2 braces to the bottom of the sound shield with 2 bolts (3/8 x 1 inch) and 2 flange nuts (3/8 inch) (Figure 3).



G014289

Figure 3

- | | | |
|--------------------------|---------------------|-----------------------------------|
| 1. Bolt (3/8 x 7/8 inch) | 4. Front of machine | 7. Cross brace |
| 2. Brace | 5. Sound shield | 8. Sound shield frame |
| 3. Flange nut (3/8 inch) | 6. Angle bracket | 9. Outside hole for bottom braces |