



**Count on it.**

**Parts Catalog**

**Sand Pro® 3020**

**Model No. 08885—Serial No. 260000001 and Up**

# Ordering Replacement Parts

To order replacement parts, please supply the part number, the quantity, and the description of each part desired.

## Understanding Reference Numbers

Each identified part in an illustration has a reference number. The reference number for a part also appears in the parts list, along with other information about the part.

This catalog uses two special reference number formats, one to indicate parts in a service assembly and another to indicate the quantity of a given part in an illustration.

## Service Assembly Reference Numbers

Parts in service assemblies have reference numbers in the form a:b. The a represents the reference number of the entire service assembly and the b represents a sequential number unique to each part within the service assembly.

For example, a wheel assembly might be identified by reference number 6, the tire by 6:1, the valve by 6:2, and the wheel by 6:3. When you order the assembly identified by reference number 6, you receive all parts identified by reference numbers 6:1, 6:2, and 6:3. However, you may also order any part individually. Reference numbers of this type appear in illustration and in parts lists.

## Reference Numbers Indicating Quantity

In an illustration, if a reference number indicates more than one part, the reference number has the form nX y. The n represents the quantity of the part, the X is the multiplication symbol, and the y represents the reference number.

For example, in an illustration, the reference number 2X 37 means that two of the parts identified by reference number 37 are indicated.

# List of Abbreviations

**AR:** as required

**ASM:** assembly

**BBC:** blade brake control

**BHTF:** button head thread forming

**CARR:** carriage

**CCW:** counter clockwise

**CW:** clockwise

**DEG:** degrees

**DPA:** Dual Point Adjustment

**ECM:** electronic control module

**EXT:** external

**FH:** flat head

**GA:** gauge

**HD:** heavy-duty

**HF:** hex flange

**HH:** hex head

**HHF:** hex head flange

**HHFTF:** hex head flange thread forming

**HJ:** hex jam

**HLH:** hex lag head

**HOC:** height-of-cut

**HSBH:** hex socket button head

**HSFH:** hex socket flat head

**HSH:** hex socket head

**HWH:** hex washer head

**HWHTF:** hex washer head thread forming

**HYD:** hydraulic

**LH:** left hand

**LP:** Liquid Propane

**NI:** nylon insert

**NPTF:** national pipe thread fine

**PFH:** phillips flat head

**PPH:** phillips pan head

**PPHTF:** phillips pan head thread forming

**PRH:** phillips round head

**PTH:** phillips truss head

**PTO:** power-take-off

**RH:** right hand

**ROPS:** roll-over protection system

**RRB:** rear roller brush

**SFH:** slotted fillister head

**SHH:** slotted hex head

**SHWH:** slotted hex washer head

**SPH:** slotted pan head

**SQH:** square head

**SRH:** slotted round head

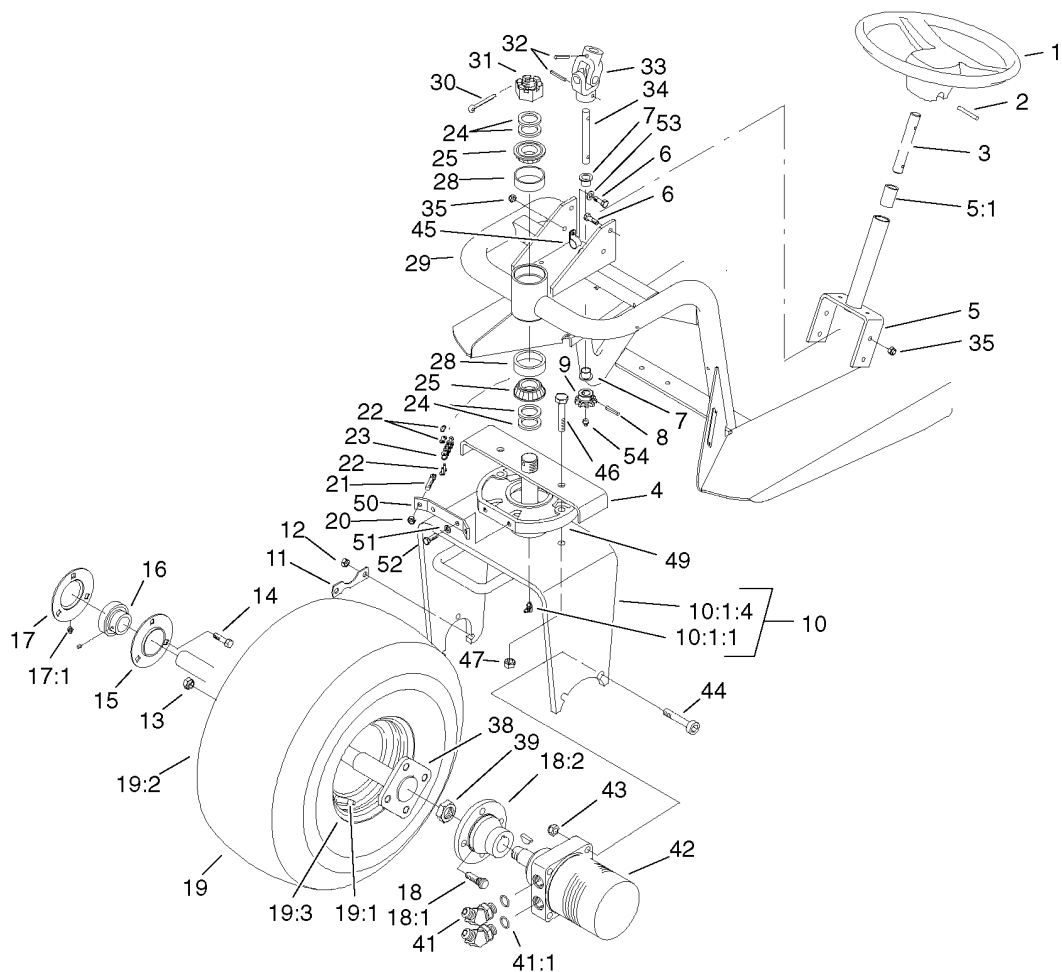
**STD:** standard

**TAP:** self tapping

**TTH:** torx truss head

# Contents

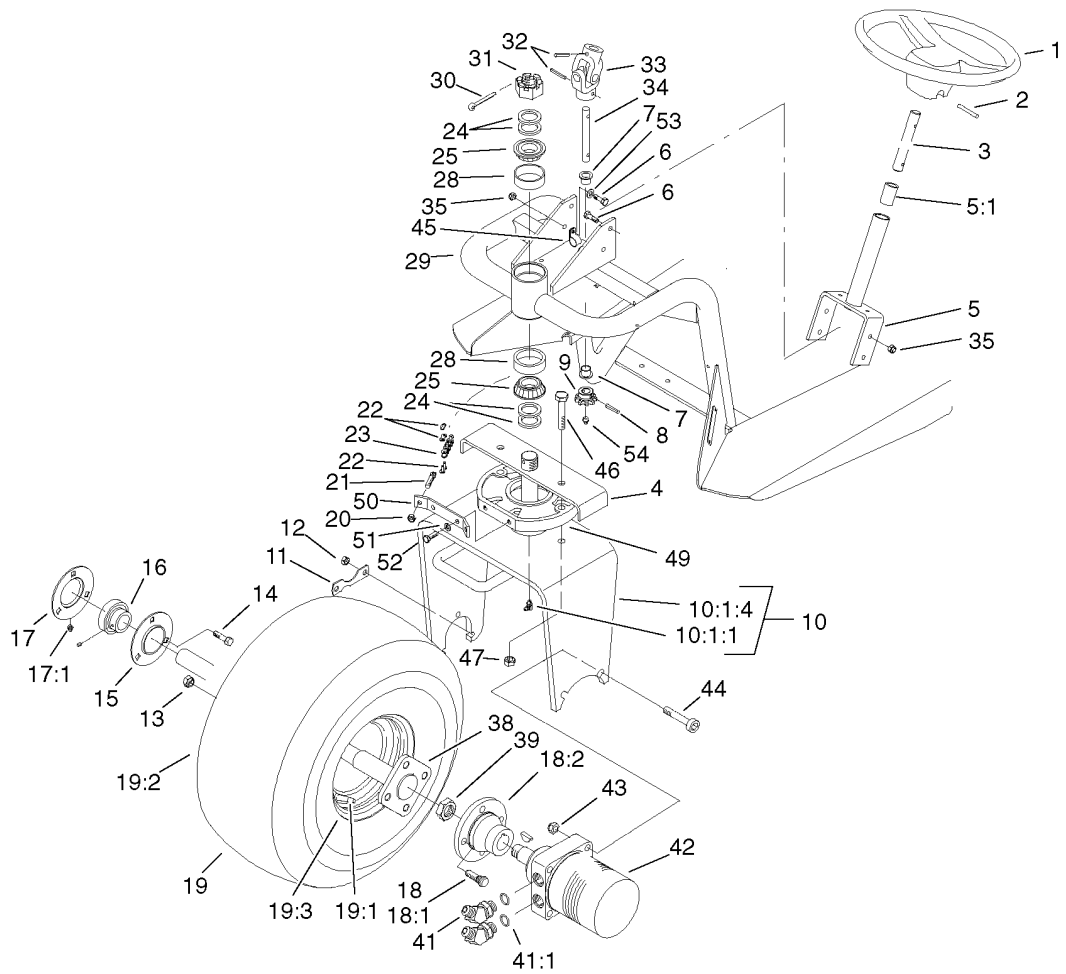
Front Wheel and Steering Assembly . . . . .	4
Hydraulic Motor Assembly No. 75-9830 . . . . .	6
Traction Pedal Assembly . . . . .	7
Pump Control Lever Assembly . . . . .	8
Hydraulic Pump Installation Assembly . . . . .	9
Variable Reversible Pump Assembly No. 106-9248 . . . . .	10
Rear Wheel Drive Assembly . . . . .	12
Hydraulic Cylinder Assembly No. 83-7000 . . . . .	13
Hydraulic Motor Assembly No. 75-9831 . . . . .	14
Hydraulic Motor Assembly No. 75-9840 . . . . .	15
Seat Assembly . . . . .	16
Fuel Tank Assembly . . . . .	17
Engine Installation Assembly . . . . .	18
Dash Panel Assembly . . . . .	19
Shroud and Oil Cooler Assembly . . . . .	20
Air Cleaner Assembly No. 95-5805 . . . . .	21
Hydraulic Oil Reservoir and Filter Assembly . . . . .	22
Lift Valve Installation Assembly . . . . .	23
Valve Assembly No. 43-1710-01 . . . . .	24
Brake Installation Assembly . . . . .	25
Brake Assembly No. 104-7705 . . . . .	26
Cylinder Assembly Briggs and Stratton 303447-1180-E1 . . . . .	27
Crankshaft Assembly Briggs and Stratton 303447-1180-E1 . . . . .	28
Crankcase Assembly Briggs and Stratton 303447-1180-E1 . . . . .	29
Carburetor Assembly Briggs and Stratton 303447-1180-E1 . . . . .	30
Air Cleaner Assembly Briggs and Stratton 303447-1180-E1 . . . . .	31
Blower Housing Assembly Briggs and Stratton 303447-1180-E1 . . . . .	32
Governor Assembly Briggs and Stratton 303447-1180-E1 . . . . .	33
Flywheel Assembly Briggs and Stratton 303447-1180-E1 . . . . .	34
Starter Assembly Briggs and Stratton 303447-1180-E1 . . . . .	35
Engine Parts Kit Briggs and Stratton 303447-1180-E1 . . . . .	36
Gasket Kit Briggs and Stratton 303447-1180-E1 . . . . .	37
Carburetor Overhaul Kit Assembly Briggs and Stratton 303447-1180-E1 . . . . .	38
Attachments and Accessories . . . . .	39



## Front Wheel and Steering Assembly

Ref.	Part Number	Qty.	Description	Ref.	Part Number	Qty.	Description
1	76-1420	1	Wheel-Steering	19:1	232-35	1	Valve Stem And Cap ASM
2	32121-111	1	Pin-Roll	19:2	85-8290	1	Tire-2Ply, Knobby
3	85-6610	1	Shaft-Steering	19:3	94-6116	1	Wheel-Rear
4	92-7179-01	1	Plate-Stop, Fork	20	3296-4	2	Nut-Lock
5	92-5035	1	Asm-Steering Shaft (Incl. Ref. #4)	21	18-6380	2	Pin-Adjustment, Steering
5:1	256-185	1	Bushing	22	2710-11	2	Link-Chain
6	322-5	4	Screw-HH	23	92-5039	1	Chain-Steering
7	65-8770	2	Bushing-Bellcrank	24	18-6320	4	Washer-Steering
8	98-0973	1	Pin-Grooved	25	254-70	2	Bearing-Cone
9	85-9180	1	Sprocket-Steering	28	254-61	2	Cup-Bearing
10		1	Fork ASM ●	29	95-0600-01	1	Frame ASM
10:1:1	302-33	1	Fitting-Grease	30	3272-37	1	Pin-Cotter
10:1:4	98-0950-01	1	Fork	31	32136-9	1	Nut-Hex, Slotted
11	88-8350	1	Tab-Bearing	32	32121-15	2	Pin-Roll
12	3296-39	3	Nut-Lock, NI	33	85-9200	1	Knuckle-Steering
13	242-50	4	Nut-Lug	34	98-0928	1	Shaft-Steering, Lower
14	323-29	3	Screw-HH	35	3296-29	4	Nut-Lock, NI
15	85-8950	1	Flangette-Standard	38	92-8969	1	Spindle
16	251-352	1	Bearing	39	26-3790	1	Nut-Lock
17	85-8940	1	Flangette-Relube	41	353-427	2	Fitting-45 DEG
17:1	302-5	1	Fitting-Grease	41:1	237-80	1	O-Ring
18		1	Front Wheel Hub ASM ●	42	75-9830	1	Motor-HYD
18:1	10-6830	4	Stud-Type, Drive	43	3296-23	2	Nut-Lock, NI
18:2	93-6838-03	1	Hub-Wheel	44	3274-93	2	Screw-HSH
19		1	Wheel And Tire ASM ●	45	94-6821	2	Clamp-Wire
				46	325-10	2	Screw-HH

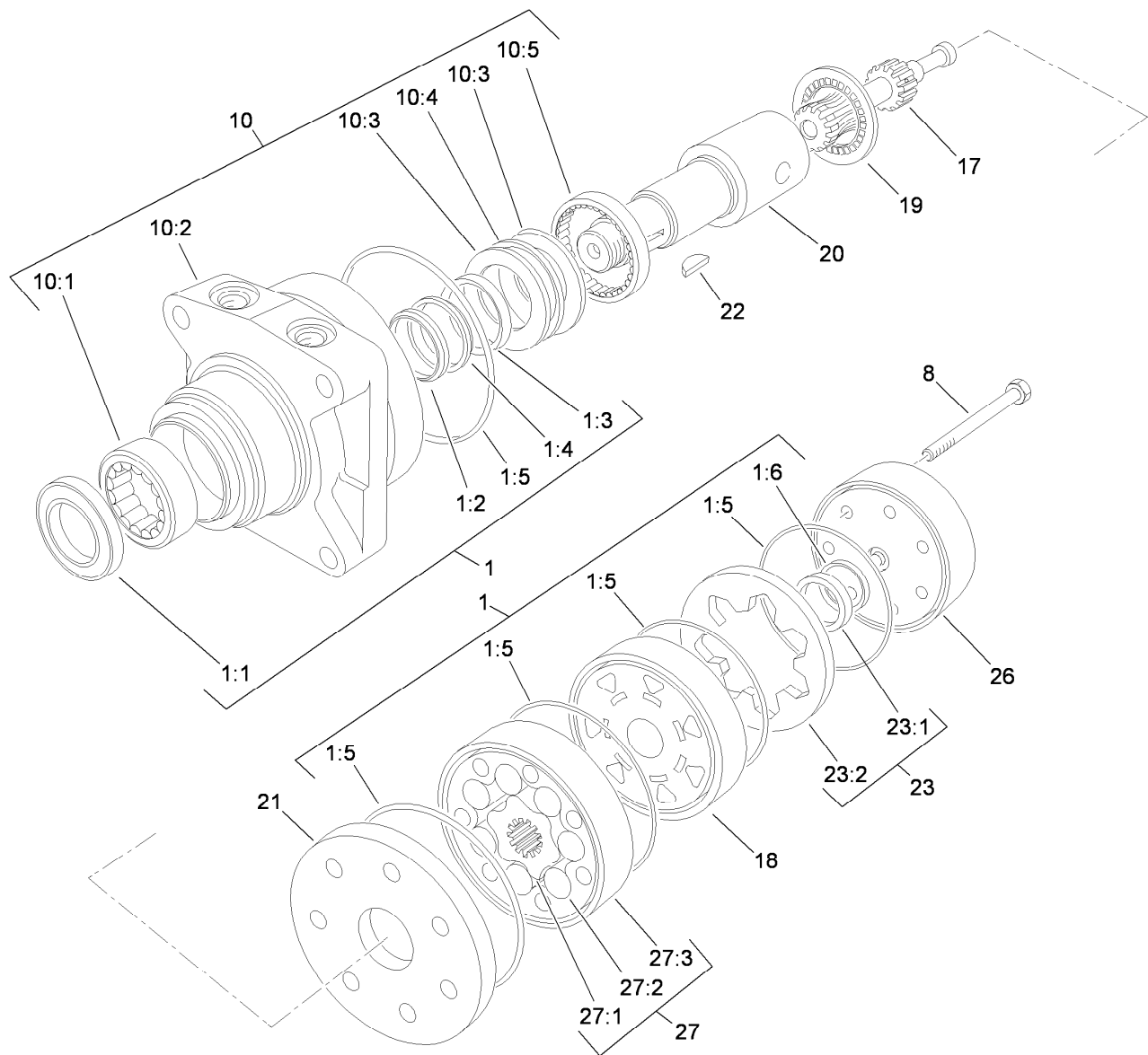
● Not serviced separately



## Front Wheel and Steering Assembly (continued)

<i>Ref.</i>	<i>Part Number</i>	<i>Qty.</i>	<i>Description</i>	<i>Ref.</i>	<i>Part Number</i>	<i>Qty.</i>	<i>Description</i>
47	3296-25	2	Nut-Lock, NI	52	322-3	2	Screw-HH
49	98-0924-01	1	Guide-Chain	53	3256-23	2	Washer-Flat
50	98-0925	1	Bracket-Chain	54	302-2	1	Fitting-Grease
51	3253-4	2	Washer-Lock				

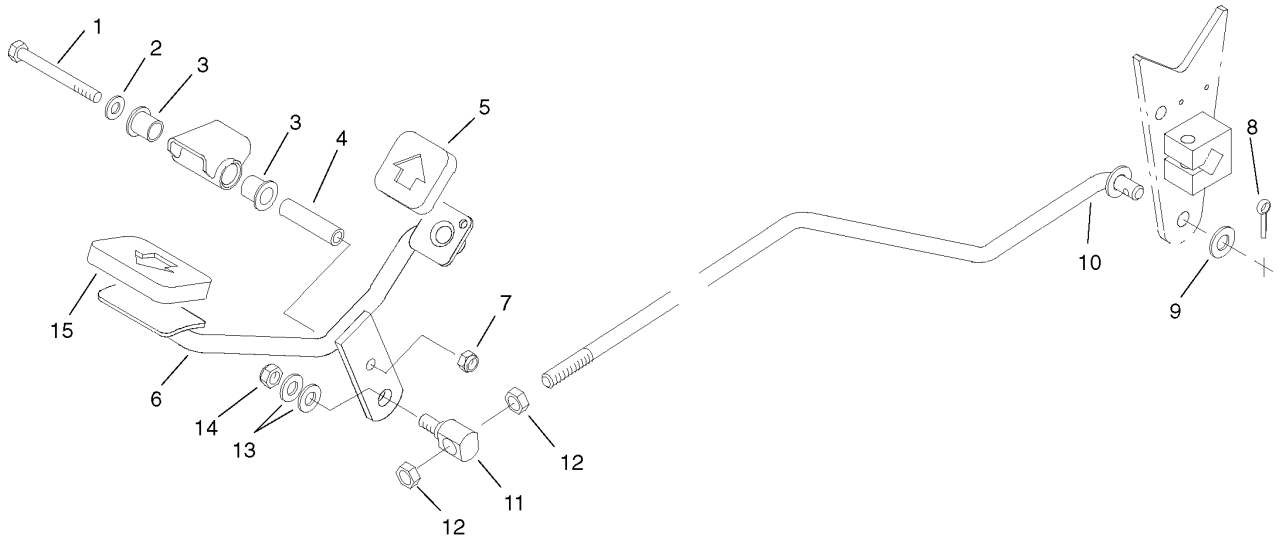
● Not serviced separately



## Hydraulic Motor Assembly No. 75-9830

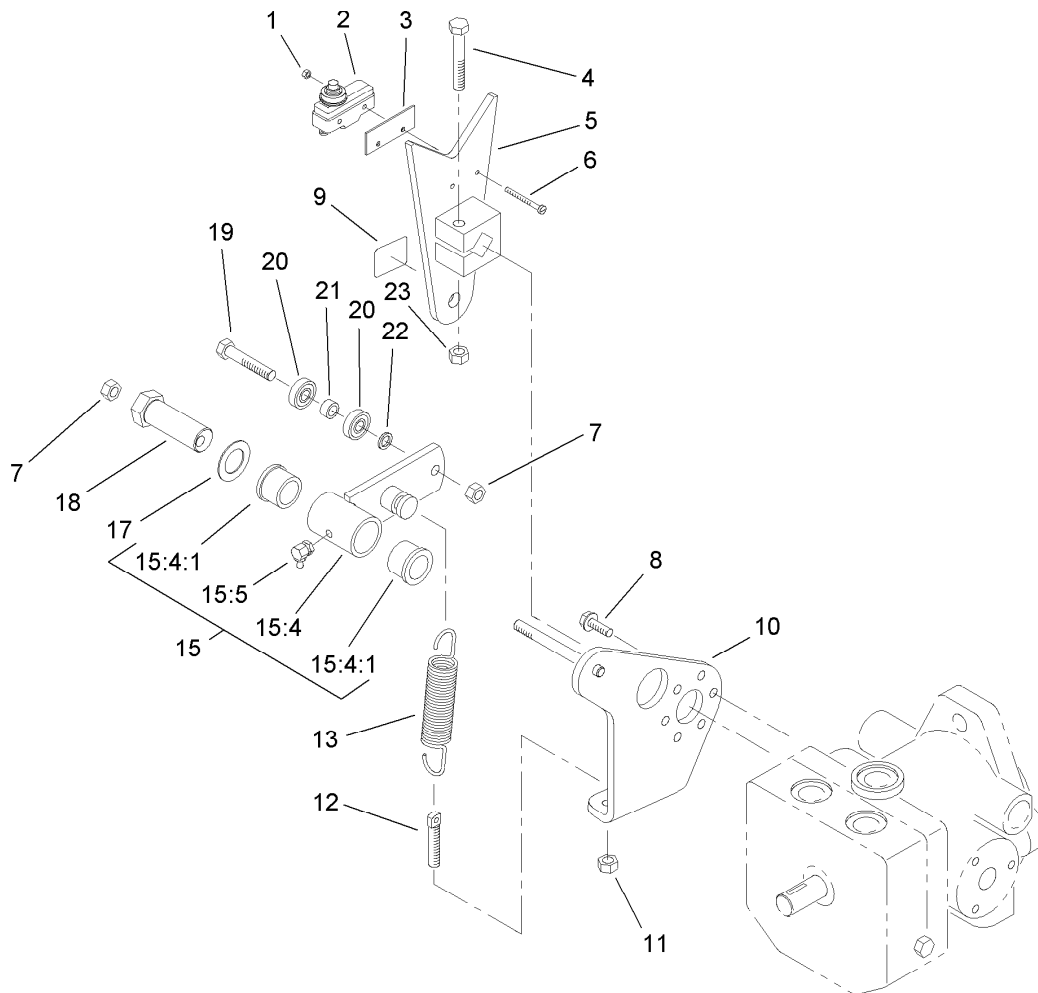
Ref.	Part Number	Qty.	Description	Ref.	Part Number	Qty.	Description
1	94-8178	1	Seal Kit	17	76-0930	1	Link-Drive
1:1		1	Seal-Dirt And Water ●	18	76-0840	1	Manifold
1:2		1	Backup-Ring ●	19	76-0850	1	Bearing-Thrust
1:3		1	Seal-Shaft ●	20	76-0860	1	Shaft-Coupling
1:4		1	Washer-Backup ●	21	76-0870	1	Plate-Wear
1:5		5	Seal-Square, Ring (Inner) ●	22	3257-42	1	Key-Woodruff
1:6		1	Seal-Commutator ●	23	76-0880	1	Commutator ASM
8	76-1030	7	Screw-HH	23:1		1	Commutator ●
10	76-0810	1	Housing ASM	23:2		1	Ring-Commutator ●
10:1		1	Bearing ●	26	76-0940	1	End Cover ASM
10:2		1	Housing ●	27	76-0950	1	Rotor Set
10:3		2	Washer-Thrust ●	27:1		1	Rotor ●
10:4		1	Bearing-Thrust ●	27:2		7	Vane ●
10:5		1	Bearing ●	27:3		1	Stator ●

● Not serviced separately



## Traction Pedal Assembly

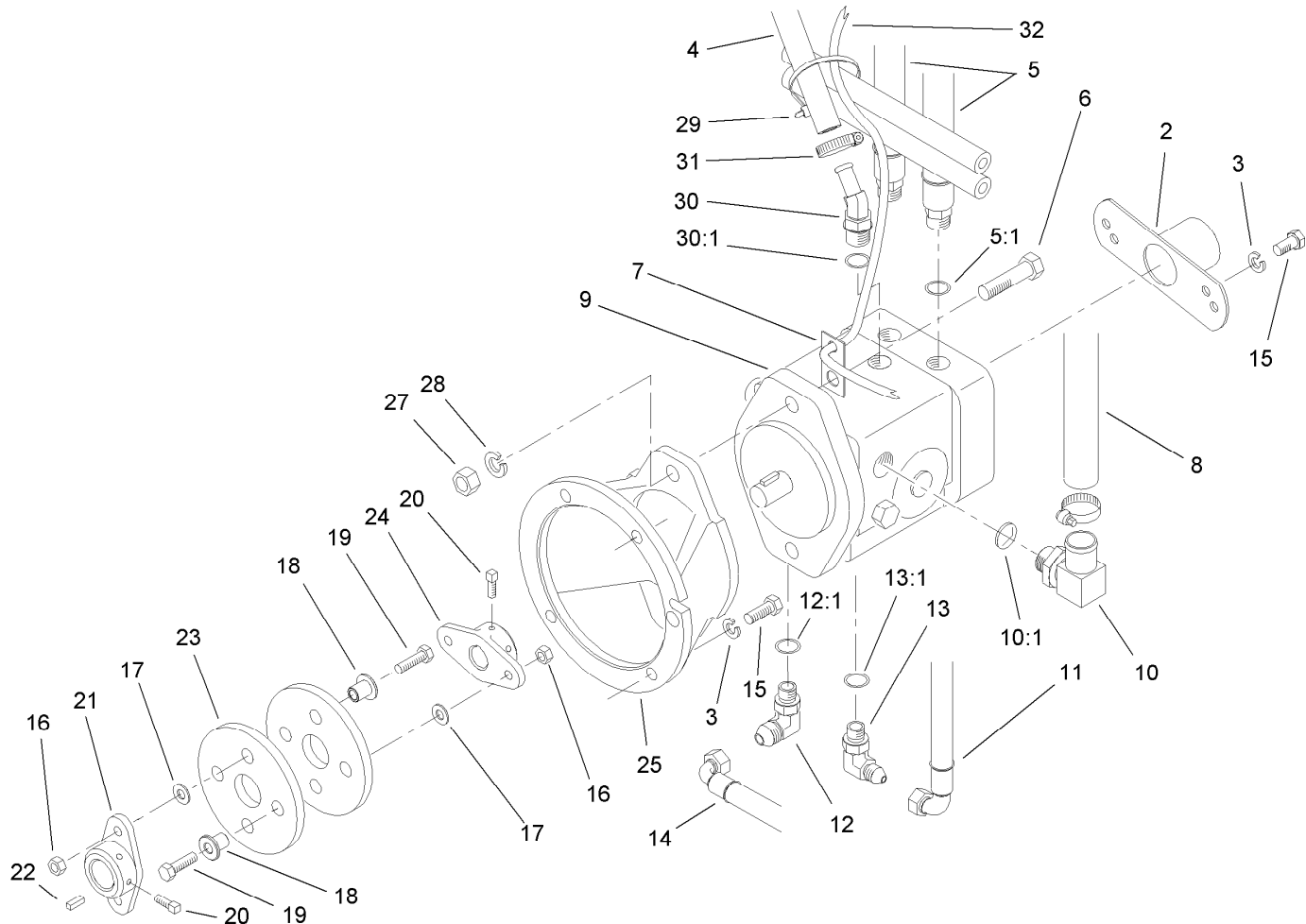
<i>Ref.</i>	<i>Part Number</i>	<i>Qty.</i>	<i>Description</i>
1	322-14	1	Screw-HH
2	3256-23	1	Washer-Flat
3	256-219	2	Bushing
4	85-8960	1	Spacer
5	74-9110	1	Pad-Pedal, Reverse
6	92-2343-01	1	Pedal ASM
7	3296-29	1	Nut-Lock, NI
8	3272-16	1	Pin-Cotter
9	3256-25	1	Washer-Flat
10	95-0584	1	Rod-Control
11	92-2344	1	Trunnion
12	3218-5	2	Nut-Jam
13	3256-24	2	Washer-Flat
14	3296-39	1	Nut-Lock, NI
15	74-9100	1	Pad-Pedal, Forward



## Pump Control Lever Assembly

Ref.	Part Number	Qty.	Description
1	3296-9	2	Nut-Lock
2	29-6163	1	Switch-Micro
3	85-9150	1	Plate-Switch
4	322-10	1	Screw-HH
5	107-3515-03	1	Lever-Pump
6	32105-21	2	Screw-HH
7	3296-29	2	Nut-Lock, NI
8	49-2040	3	Screw-HWHTF
9	93-9051	1	Decal-Bolt, Eccentric
10	95-0553-03	1	Plate-Pump
11	3296-4	1	Nut-Lock
12	18-6380	1	Pin-Adjustment, Steering
13	85-9030	1	Spring-Extension
15	85-8460	1	Switch Arm ASM
15:4		1	Arm-Switch ●
15:4:1	256-113	2	Bushing-Flange
15:5	302-60	1	Fitting-Grease
17	3-6498	1	Washer-Thrust
18	76-8640	1	Stud-Traction
19	322-8	1	Screw-HH
20	251-307	2	Bearing-Ball
21	85-9120	1	Spacer-Pivot, Tilt
22	75-5470	1	Spacer-Bearing
23	3296-29	1	Nut-Lock, NI

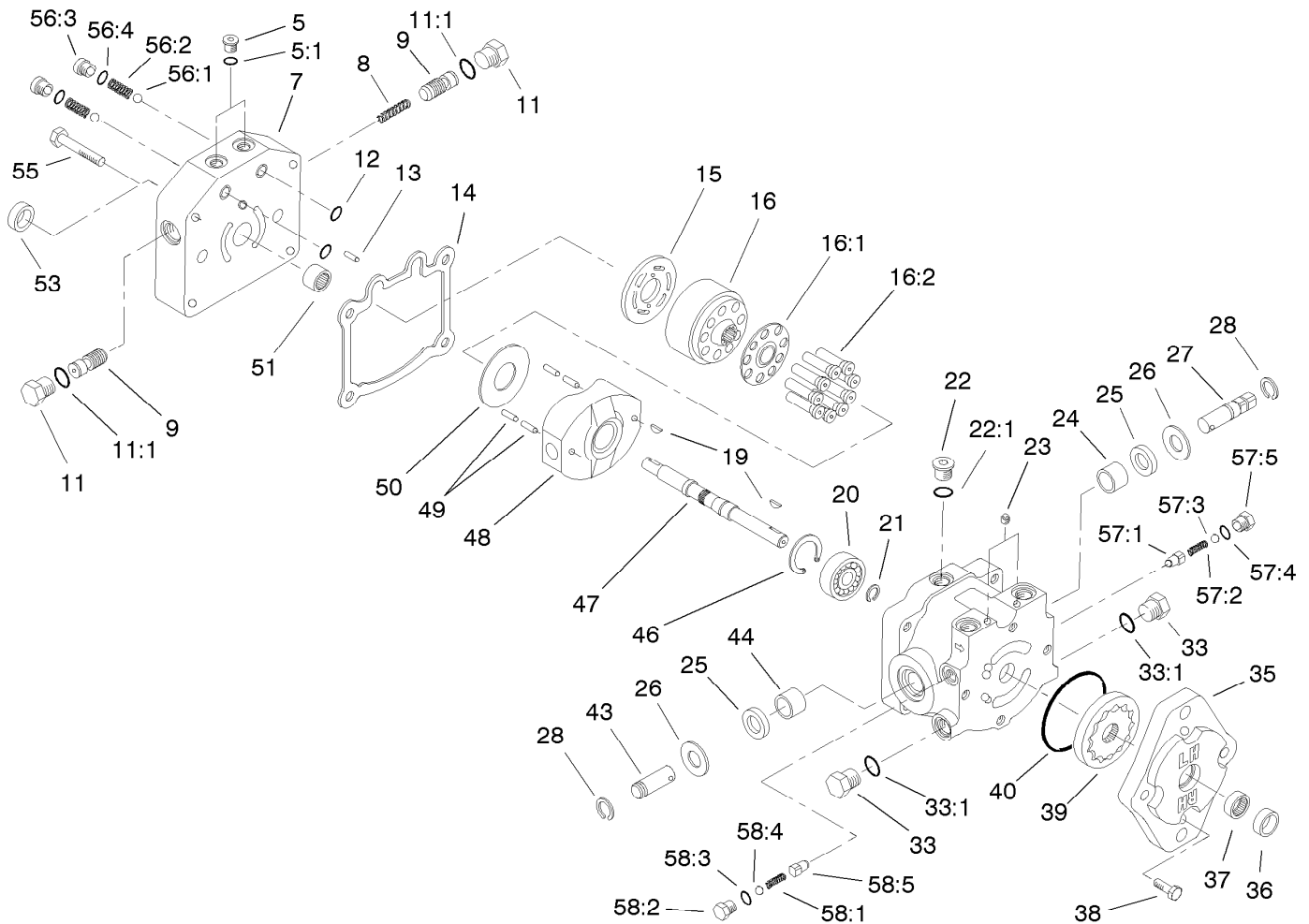
● Not serviced separately



## Hydraulic Pump Installation Assembly

Ref.	Part Number	Qty.	Description
2	95-0632-03	1	Cover ASM
3	3253-5	6	Washer-Lock
4	98-8153	1	Hose-Return
5	95-0595	2	Hose-HYD
5:1	237-79	1	O-Ring
6	325-7	2	Screw-HH
7	26-2950	1	Wire-Standoff
8	95-0555	1	Hose-Suction
9	106-9248	1	Pump-Reversible, Variable
10	87-8170	1	Fitting
10:1	237-80	1	O-Ring
11	95-0592	1	Hose ASM
12	353-511	1	Fitting-HYD, 90 DEG
12:1	237-42	1	O-Ring
13	353-374	1	Elbow-90 DEG
13:1	237-42	1	O-Ring
14	95-0591	1	Hose-HYD
15	323-6	6	Screw-HH

Ref.	Part Number	Qty.	Description
16	3296-29	4	Nut-Lock, NI
17	3256-23	4	Washer-Flat
18	71-4411	4	Spacer
19	322-7	4	Screw-HH
20	3241-5	4	Screw-Set
21	27-1960	1	Hub-Engine
22	13-2840	1	Key-Square
23	80-8650	2	Coupling-Drive
24	49-9600	1	Hub-Pump
25	95-0631-03	1	Mount-Pump
27	3217-9	2	Nut-HH
28	3253-7	2	Washer-Lock
29	3290-378	1	Tie-Cable
30	354-126	1	Fitting-HYD, 45 DEG
30:1	237-79	1	O-Ring
31	2412-36	1	Clamp-Hose
32	95-0574	1	Harness-Wire

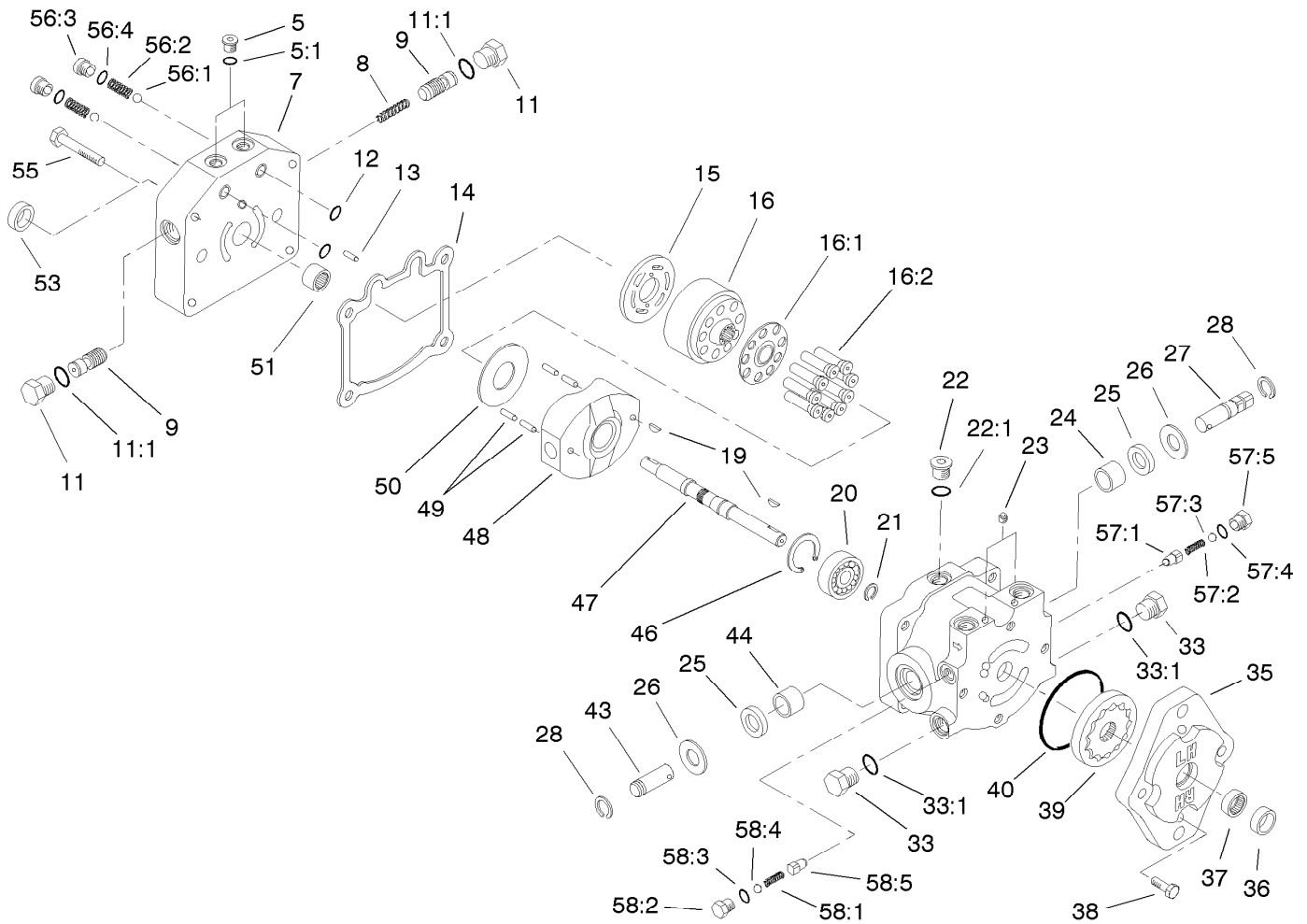


## Variable Reversible Pump Assembly No. 106-9248

Ref.	Part Number	Qty.	Description	Ref.	Part Number	Qty.	Description
5	92-8776	2	Plug-HSH	33:1	237-80	1	O-Ring
5:1	92-8777	1	O-Ring	35	25-2690	1	Housing-Pump, Charge
7	95-5808	1	Cap-End	36	67-8060	1	Seal-Lip
8	25-2610	1	Spring-Valve	37	67-8050	1	Bearing-Needle
9	95-5814	2	Valve-Acceleration	38	322-4	4	Screw-HH
11	28-3440	1	Plug-Threaded	39	95-5812	1	Gerotor ASM
11:1	75-0240	1	O-Ring	40	237-95	1	O-Ring
12	93-4132	2	O-Ring	43	25-2500	1	Shaft-Trunnion
13	25-2430	1	Pin-Dowel	44	252-82	1	Bearing-Needle
14	25-2400	1	Gasket	46	32151-75	1	Ring-Retaining
15	95-5811	1	Plate-Valve	47	95-5810	1	Shaft
16	48-1800	1	Cylinder Block Kit	48	25-2450	1	Plate-Swash, Variable
16:1		1	Retainer-Slipper ■	49	32121-91	4	Pin-Spring
16:2		9	Piston ASM ■	50	25-2380	1	Plate-Thrust
19	3257-32	2	Key-Woodruff	51	46-8400	1	Bearing-Shaft
20	95-5809	1	Bearing-Ball	53	88-8230	1	Seal-Lip
21	94-3996	1	Ring-Retaining	55	323-45	4	Screw-HH
22	353-988	1	Plug-Hex	56	99-5689	1	Check Valve Kit ●
22:1	237-79	1	O-Ring	56:1	25-2490	1	Ball
23	285-17	2	Plug-Pipe	56:2	25-2640	1	Spring-Valve
24	88-8190	1	Bearing-Journal	56:3	25-2650	1	Plug-Valve, Check
25	25-3210	2	Seal-Lip	56:4	237-86	1	O-Ring
26	25-2510	2	Washer-Flat	57	49-8520	1	Implement Relief Kit ●
27	88-8180	1	Shaft-Trunnion	57:1	83-7260	1	Cone-Relief, Charge
28	32151-46	2	Ring-Retaining	57:2	25-2570	1	Spring-Valve
33	88-8210	2	Plug	57:3	25-2470	1	Pack-Shim

● Not illustrated

■ Not serviced separately

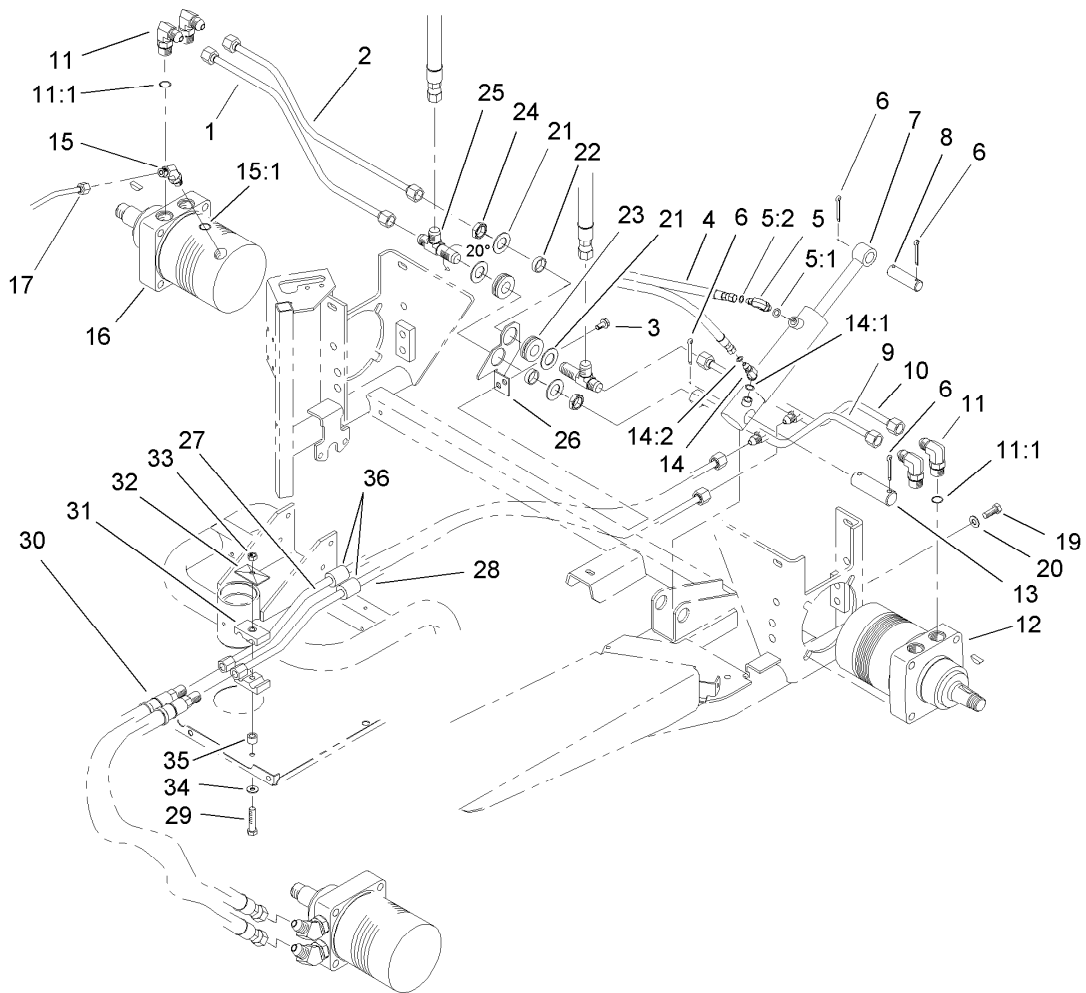


## Variable Reversible Pump Assembly No. 106-9248 (continued)

<i>Ref.</i>	<i>Part Number</i>	<i>Qty.</i>	<i>Description</i>	<i>Ref.</i>	<i>Part Number</i>	<i>Qty.</i>	<i>Description</i>
57:4	237-86	1	O-Ring	58:2	25-2460	1	Plug-HH
57:5	25-2460	1	Plug-HH	58:3	237-86	1	O-Ring
58	49-8510	1	Valve Kit ●	58:4	25-2470	1	Pack-Shim
58:1	25-2480	1	Spring-Valve	58:5	83-7260	1	Cone-Relief, Charge

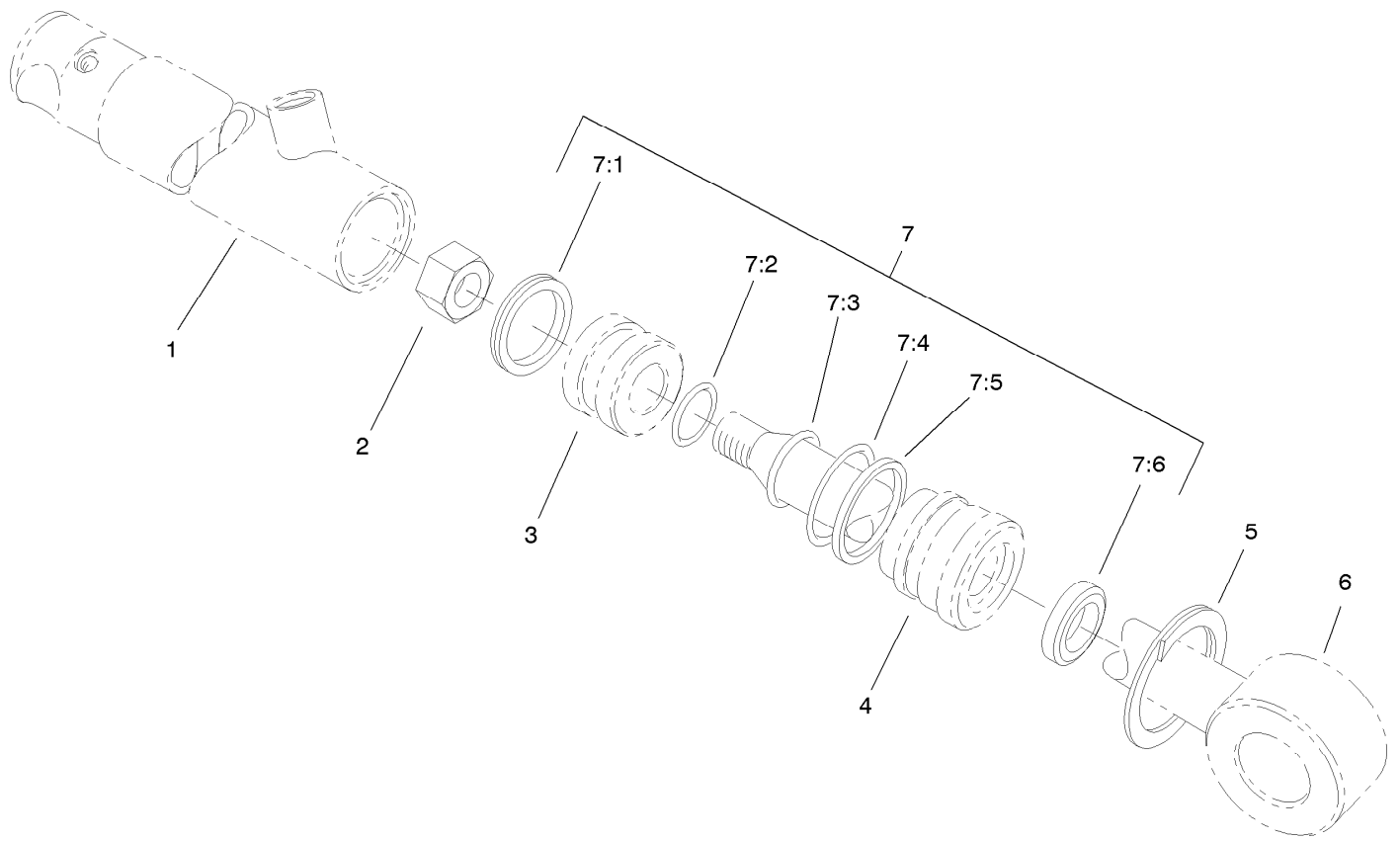
● Not illustrated

■ Not serviced separately



## Rear Wheel Drive Assembly

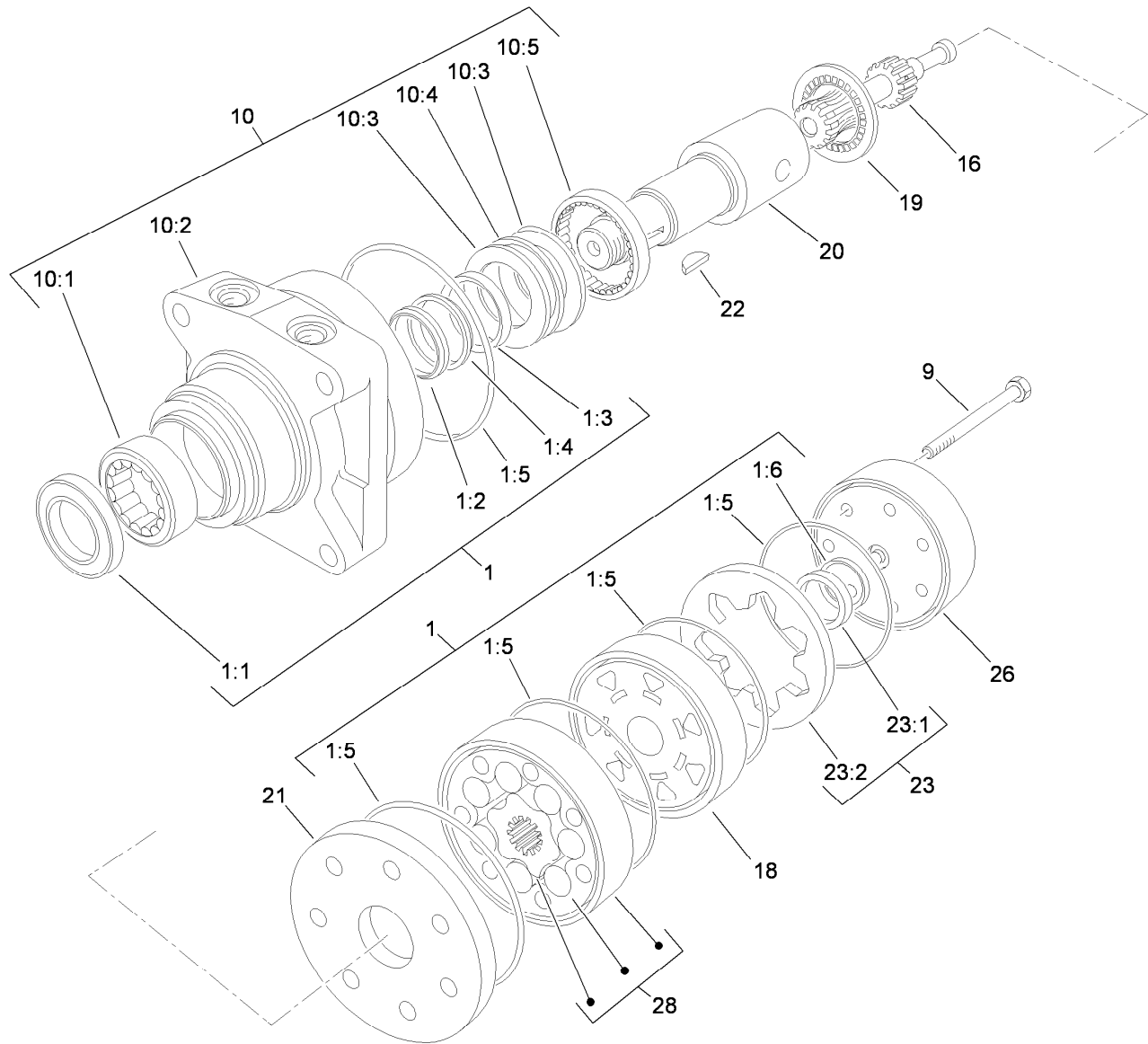
Ref.	Part Number	Qty.	Description	Ref.	Part Number	Qty.	Description
1	95-0564	1	Tube-RH, Front	16	75-9840	1	HYD Motor ASM
2	95-0559	1	Tube-RH, Rear	17	95-0575	1	Tube-Valve, Shuttle
3	32144-14	2	Screw-HWHTF	19	325-5	4	Screw-HH
4	75-6200	2	Hose	20	3256-26	4	Washer-Flat
5	340-132	1	Fitting-HYD, 90 DEG	21	69-8930	4	Washer
5:1	237-78	1	O-Ring	22	69-8960	2	Spacer
5:2	237-21	1	O-Ring	23	240-5	2	Grommet-Rubber
6	3272-23	4	Pin-Cotter	24	95-0642	2	Locknut-Bulkhead
7	83-7000	1	HYD Cylinder ASM	25	95-0577	2	Fitting-Bulkhead
8	18-7310	1	Pin-Cylinder	26	95-0568-01	1	Bracket-Bulkhead
9	95-0560	1	Tube-LH, Front	27	95-0562	1	Tube-RH
10	95-0567	1	Tube-LH, Rear	28	95-0563	1	Tube-LH
11	353-426	4	Fitting-90 DEG	29	321-18	1	Screw-HH
11:1	237-80	1	O-Ring	30	51-0600	2	Hose ASM
12	75-9831	1	HYD Motor ASM	31	56-7976	2	Clamp-Tube
13	18-7160	1	Pin-Cylinder	32	69-9760	1	Coverplate
14	340-103	1	Fitting-HYD, 45 DEG	33	3296-8	1	Nut-Lock
14:1	237-78	1	O-Ring	34	3256-78	1	Washer-Flat
14:2	237-21	1	O-Ring	35	52-2480	1	Spacer-Wheel
15	353-212	1	Fitting-HYD, 45 DEG	36	38-3400	3	Guard-Rubber
15:1	237-42	1	O-Ring				



## Hydraulic Cylinder Assembly No. 83-7000

<i>Ref.</i>	<i>Part Number</i>	<i>Qty.</i>	<i>Description</i>
1		1	Barrel ASM ●
2	32152-10	1	Locknut
3		1	Piston ●
4		1	Head ●
5	43-5220	1	Ring-Retaining
6		1	Shaft W/Clevis ●
7	86-5360	1	Seal Repair Kit
7:1		1	Uniring-Grooved ●
7:2		1	Seal-Dust ●
7:3		1	Seal-Dust ●
7:4		1	Seal-Dust ●
7:5		1	Back-Up ●
7:6		1	Seal-Dust ●

● Not serviced separately

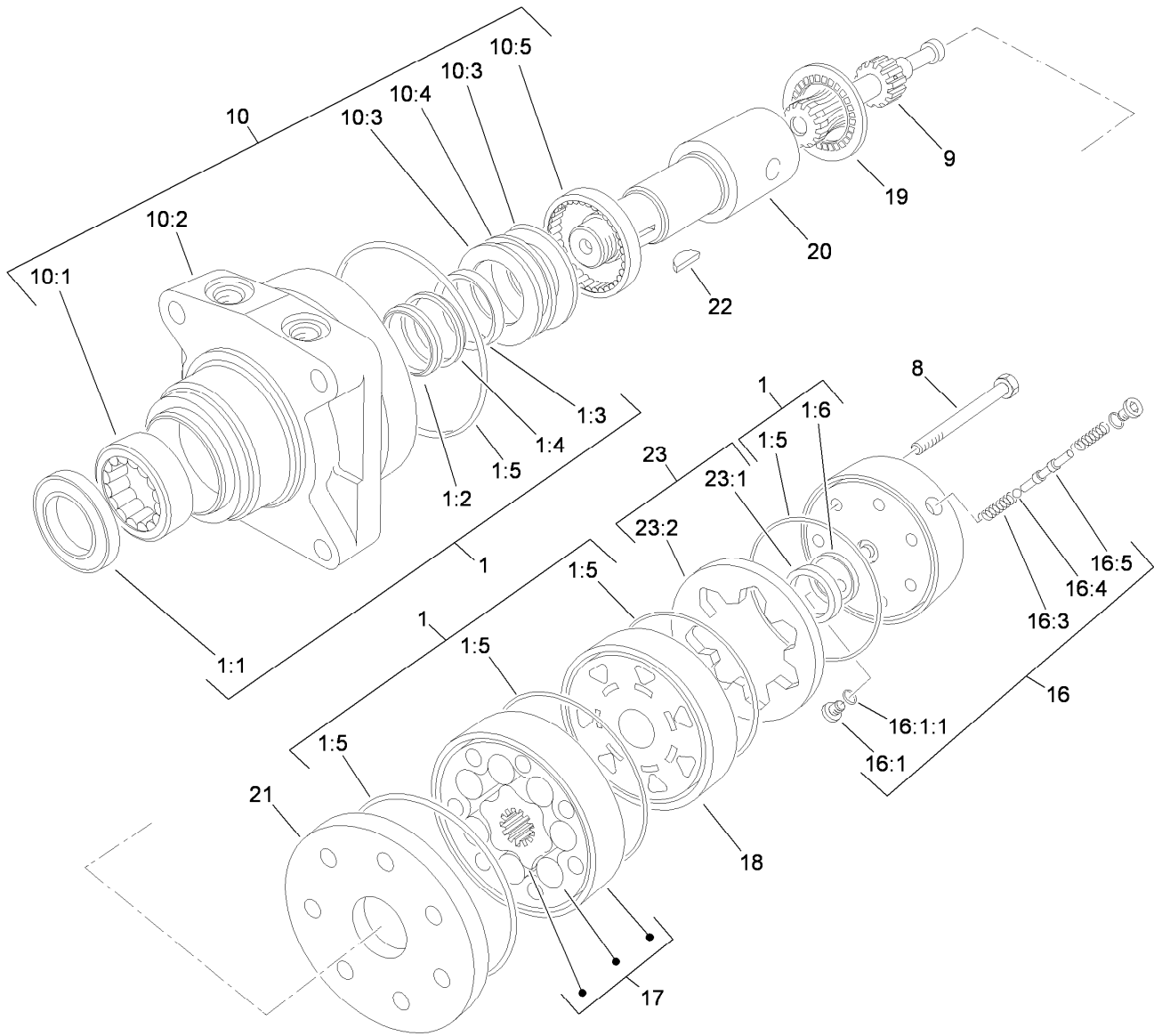


## Hydraulic Motor Assembly No. 75-9831

Ref.	Part Number	Qty.	Description
1	94-8178	1	Seal Kit
1:1		1	Seal-Dirt And Water ●
1:2		1	Backup-Ring ●
1:3		1	Seal-Shaft ●
1:4		1	Washer-Backup ●
1:5		5	Seal-Square, Ring (Inner) ●
1:6		1	Seal-Commutator ●
9	76-1020	7	Screw-Cap, HH
10	76-0810	1	Housing ASM
10:1		1	Bearing ●
10:2		1	Housing ●
10:3		2	Washer-Thrust ●
10:4		1	Bearing-Thrust ●

Ref.	Part Number	Qty.	Description
10:5		1	Bearing ●
16	76-0820	1	Line-Drive
18	76-0840	1	Manifold
19	76-0850	1	Bearing-Thrust
20	76-0860	1	Shaft-Coupling
21	76-0870	1	Plate-Wear
22	3257-42	1	Key-Woodruff
23	76-0880	1	Commutator ASM
23:1		1	Commutator ●
23:2		1	Ring-Commutator ●
26	76-0940	1	End Cover ASM
28	76-0830	1	Rotor Set

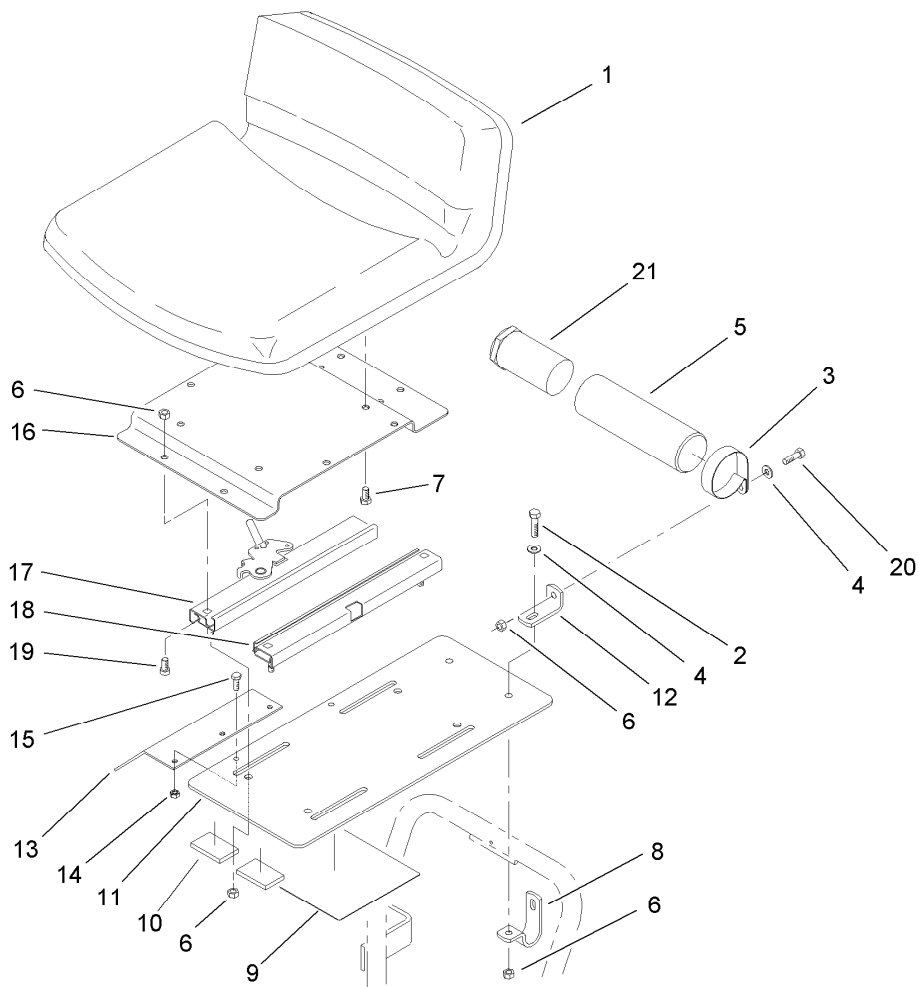
● Not serviced separately



## Hydraulic Motor Assembly No. 75-9840

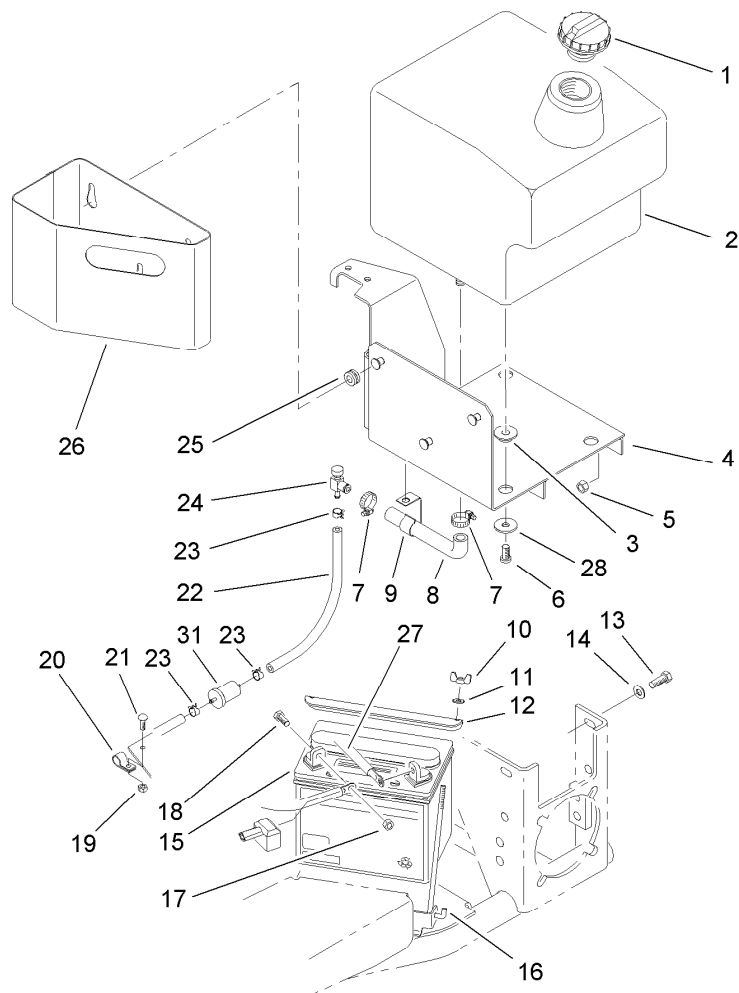
Ref.	Part Number	Qty.	Description	Ref.	Part Number	Qty.	Description
1	94-8178	1	Seal Kit	16	76-0890	1	End Cover ASM
1:1		1	Seal-Dirt And Water ●	16:1	353-990	2	Plug
1:2		1	Backup-Ring ●	16:1:1	237-78	1	O-Ring
1:3		1	Seal-Shaft ●	16:3		2	Spring ●
1:4		1	Washer-Backup ●	16:4		1	Ball ●
1:5		5	Seal-Square, Ring (Inner) ●	16:5		1	Valve-Shuttle ●
1:6		1	Seal-Commutator ●	17	76-0830	1	Rotor Set
8	76-1040	7	Screw-Cap, HH	18	76-0840	1	Manifold
9	76-0820	1	Line-Drive	19	76-0850	1	Bearing-Thrust
10	76-0810	1	Housing ASM	20	76-0860	1	Shaft-Coupling
10:1		1	Bearing ●	21	76-0870	1	Plate-Wear
10:2		1	Housing ●	22	3257-42	1	Key-Woodruff
10:3		2	Washer-Thrust ●	23	76-0880	1	Commutator ASM
10:4		1	Bearing-Thrust ●	23:1		1	Commutator ●
10:5		1	Bearing ●	23:2		1	Ring-Commutator ●

● Not serviced separately



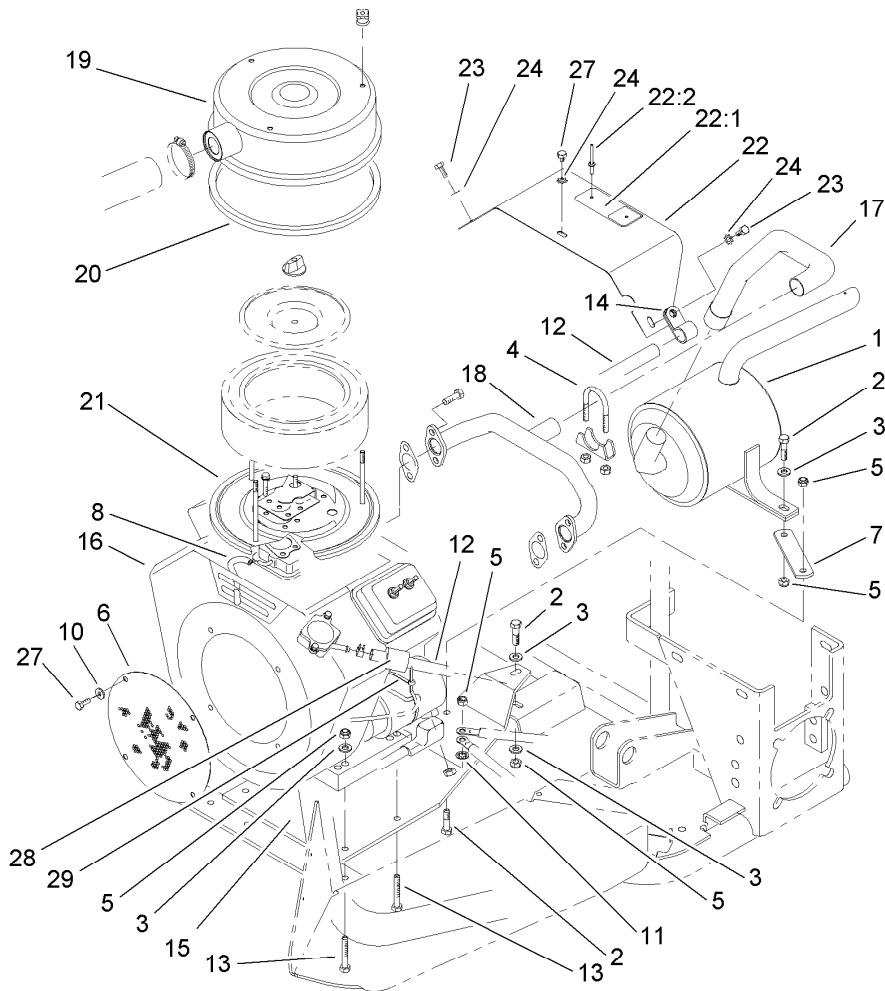
## Seat Assembly

<i>Ref.</i>	<i>Part Number</i>	<i>Qty.</i>	<i>Description</i>
1	92-8976	1	Seat
2	322-6	2	Screw-HH
3	2412-133	2	R-Clamp
4	3256-3	4	Washer-Flat
5	104-7050	1	Tube-Manual
6	3296-29	12	Nut-Lock, NI
7	3234-14	4	Screw-HHF
8	92-8972	2	Clamp-Seat
9	95-0646	1	Decal-Service
9	93-7251	1	Decal-Blank
10	74-0340	2	Cushion-Rubber
11	95-0637-03	1	Plate-Seat
12	92-8973	2	Angle
13	95-5840-03	1	Shield-Base, Seat
14	3296-42	2	Nut-Lock, NI
15	321-4	2	Screw-HH
16	86-7610-03	1	Mount-Seat
17	51-0790	1	Adjuster-Seat, LH
18	51-0780	1	Slider-Seat
19	3274-12	4	Screw-HSH
20	322-5	2	Screw-HH
21	104-7048	1	Cap-Housing



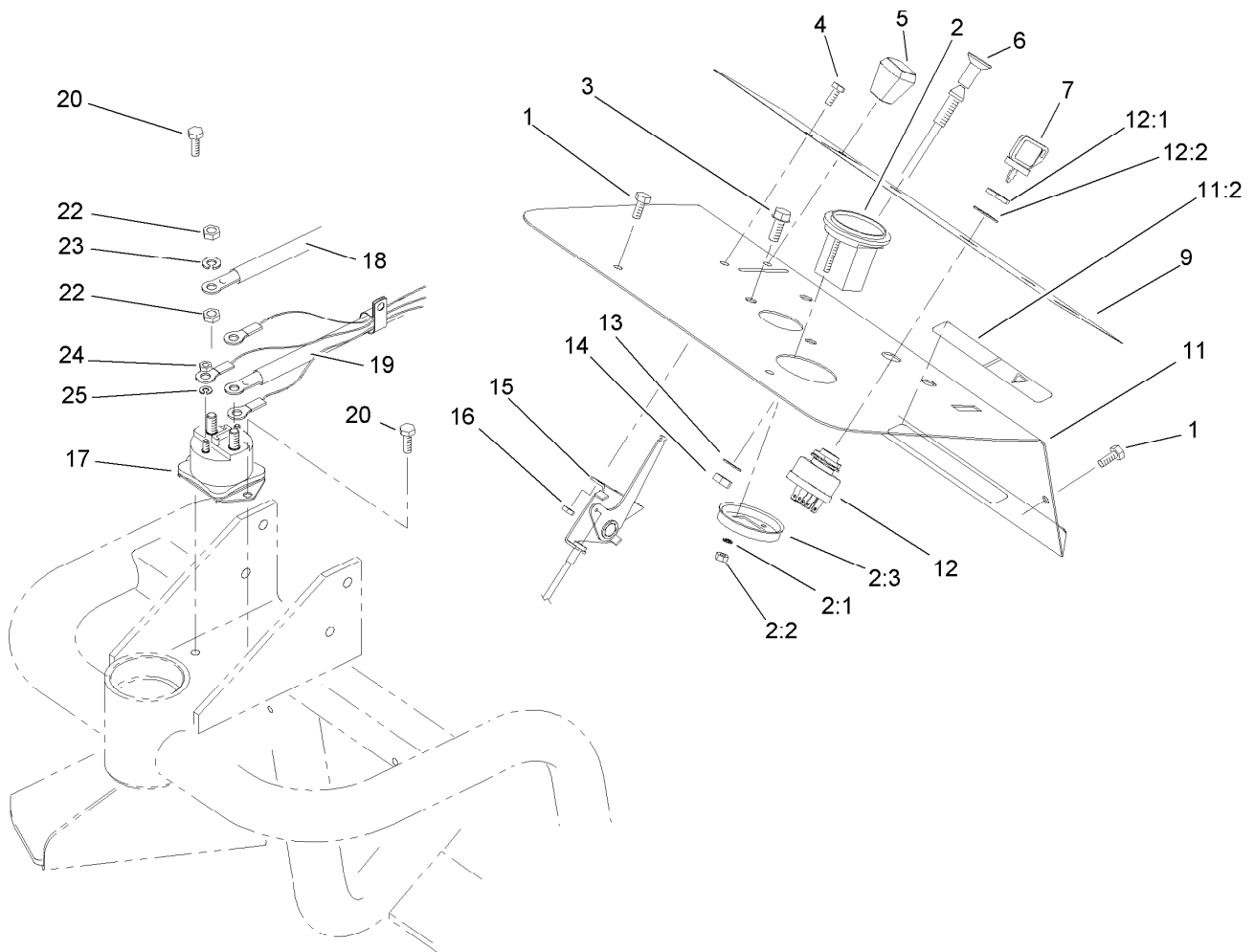
## Fuel Tank Assembly

<i>Ref.</i>	<i>Part Number</i>	<i>Qty.</i>	<i>Description</i>	<i>Ref.</i>	<i>Part Number</i>	<i>Qty.</i>	<i>Description</i>
1	93-7170	1	Cap-Fuel	16	56-7720	2	Post-Battery
2	92-7186	1	Tank-Fuel	17	3296-29	2	Nut-Lock, NI
3	240-11	4	Bushing-Flange	18	322-3	2	Screw-HH
4	95-0576-03	1	Base-Tank, Fuel	19	3296-42	1	Nut-Lock, NI
5	3296-39	3	Nut-Lock, NI	20	2412-73	1	Clamp-R
6	3250-36	4	Screw-PPH	21	3274-69	1	Screw-HSBH
7	2412-36	2	Clamp-Hose	22	109-0294	1	Hose-Fuel
8	110-8151	1	Hose-Fuel, Formed	23	2412-98	4	Clamp
9	92-7160	1	Clip	24	83-1390	1	Valve-Shut-Off, Fuel
10	32103-12	2	Nut-Wing	25	240-9	3	Grommet
11	3256-22	2	Washer-Flat	26	86-7640-01	1	Box-Litter
12	92-5018-03	1	Clamp-Battery	27	86-7450	1	Cable-Ground
13	323-6	3	Screw-HH	28	63-8410	4	Washer
14	3256-24	3	Washer-Flat	31	94-2690	1	Filter-Fuel
15	104-8162	1	Battery				



## Engine Installation Assembly

<i>Ref.</i>	<i>Part Number</i>	<i>Qty.</i>	<i>Description</i>	<i>Ref.</i>	<i>Part Number</i>	<i>Qty.</i>	<i>Description</i>
1	95-0552	1	Muffler	17	95-0551	1	Tube-Exhaust
2	322-5	3	Screw-HH	18	95-0550	1	Manifold-Exhaust
3	3256-23	6	Washer-Flat	19	85-8370-03	1	Air Cleaner Cover ASM
4	95-0586	2	Clamp ASM	20	85-8360	1	Gasket-Ring
5	3296-29	7	Nut-Lock, NI	21	85-8430-03	1	Base-Cleaner, Air
6	92-8996-03	1	Screen	22	105-8523	1	Muffler Shield ASM
7	95-0557	1	Bracket-Muffler	22:1	95-0645	1	Plate-Surface, Hot
8	75-4705	1	Hose-Fuel	22:2	3269-32	2	Rivet-Pop
10	3256-1	4	Washer-Flat	23	33113-012	2	Screw-HH
11	3255-8	1	Washer-Lock	24	3255-7	3	Washer-Lock/EXT
12	109-0302	1	Hose-Fuel	27	33113-008	5	Screw-HH
13	322-10	4	Screw-HH	28	38-3400	1	Guard-Rubber
14	2412-73	1	Clamp-R	29	3290-379	1	Tie-Cable
15	95-0556-03	1	Base-Engine				
16	98-0940	1	Engine-B & S, 303447-1180-E1				

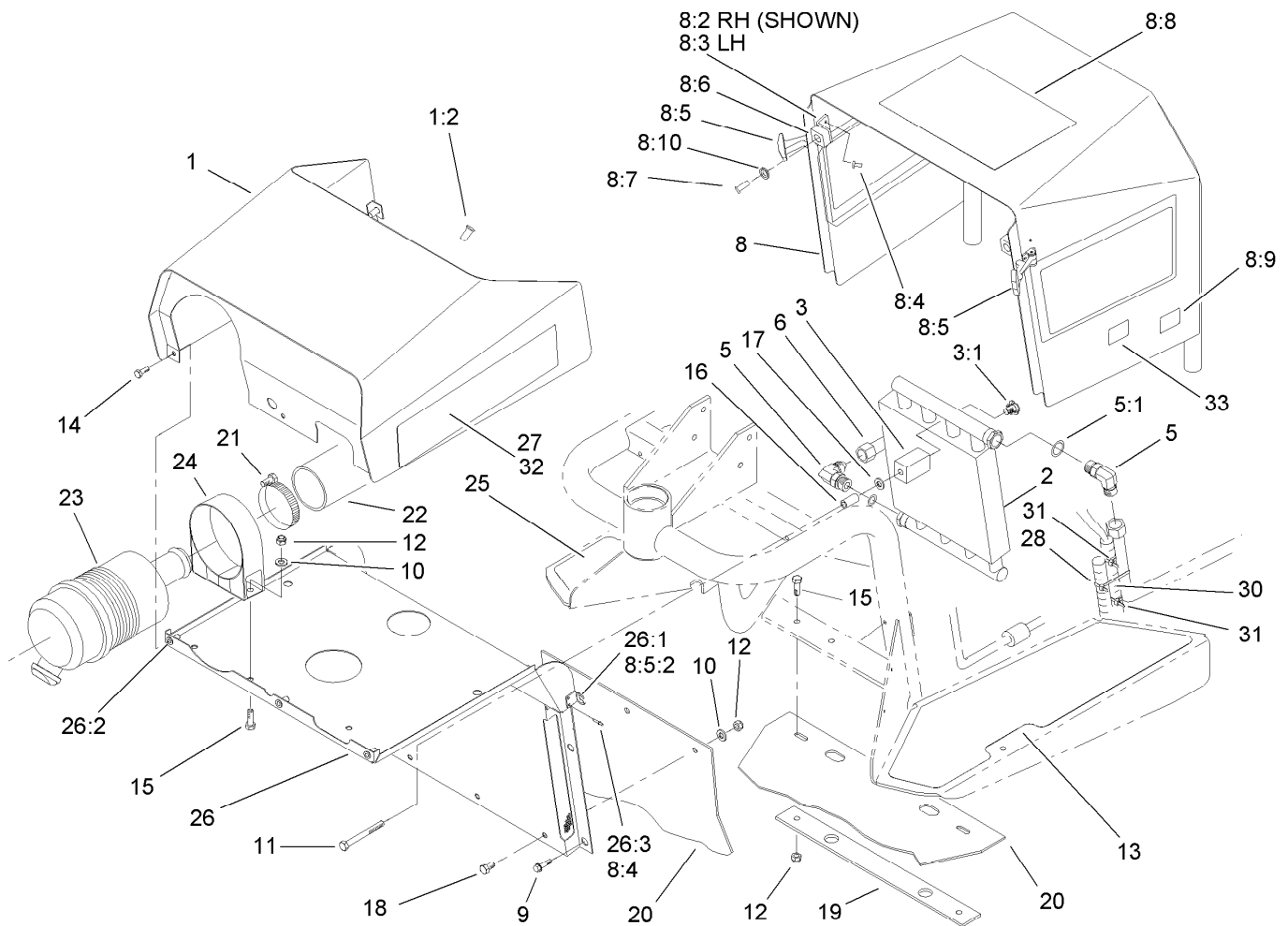


## Dash Panel Assembly

<i>Ref.</i>	<i>Part Number</i>	<i>Qty.</i>	<i>Description</i>	<i>Ref.</i>	<i>Part Number</i>	<i>Qty.</i>	<i>Description</i>
1	3234-33	4	Screw-HHF	12:2	3254-5	1	Washer-Tooth, Internal
2	66-2950	1	Gauge-Hourmeter	13	3254-6	1	Washer-Lock, Internal
2:1	3255-20	2	Washer-Lock	14	3219-3	1	Nut-Hex
2:2	3217-25	2	Nut-Hex	15	95-0598	1	Control-Throttle
2:3		1	Clamp-Gauge ■	16	3296-12	2	Nut-Lock, NI
3	32144-11	2	Screw-HWHTF	17	28-4210	1	Solenoid
4	32105-2	2	Screw-SHWH	18	95-5825	1	Wire ASM
5	66-0120	1	Knob	18:1	83-2430	1	Boot-Terminal ●
6	95-0597	1	Control-Choke	19	95-0599	1	Wire ASM
7	63-8360	2	Key-Ignition	19:1	28-8080	1	Boot-Terminal ●
9	95-0648	1	Decal	20	32104-95	2	Screw-HWH
11	105-8524	1	Dash Panel ASM	22	3218-13	2	Nut-Jam, Brass
11:2	93-9052	1	Decal-Danger	23	3253-4	2	Washer-Lock
12	83-0020	1	Switch-Ignition	24	3219-14	2	Nut-Hex
12:1	218-461	1	Nut-HH	25	3253-17	2	Washer-Lock

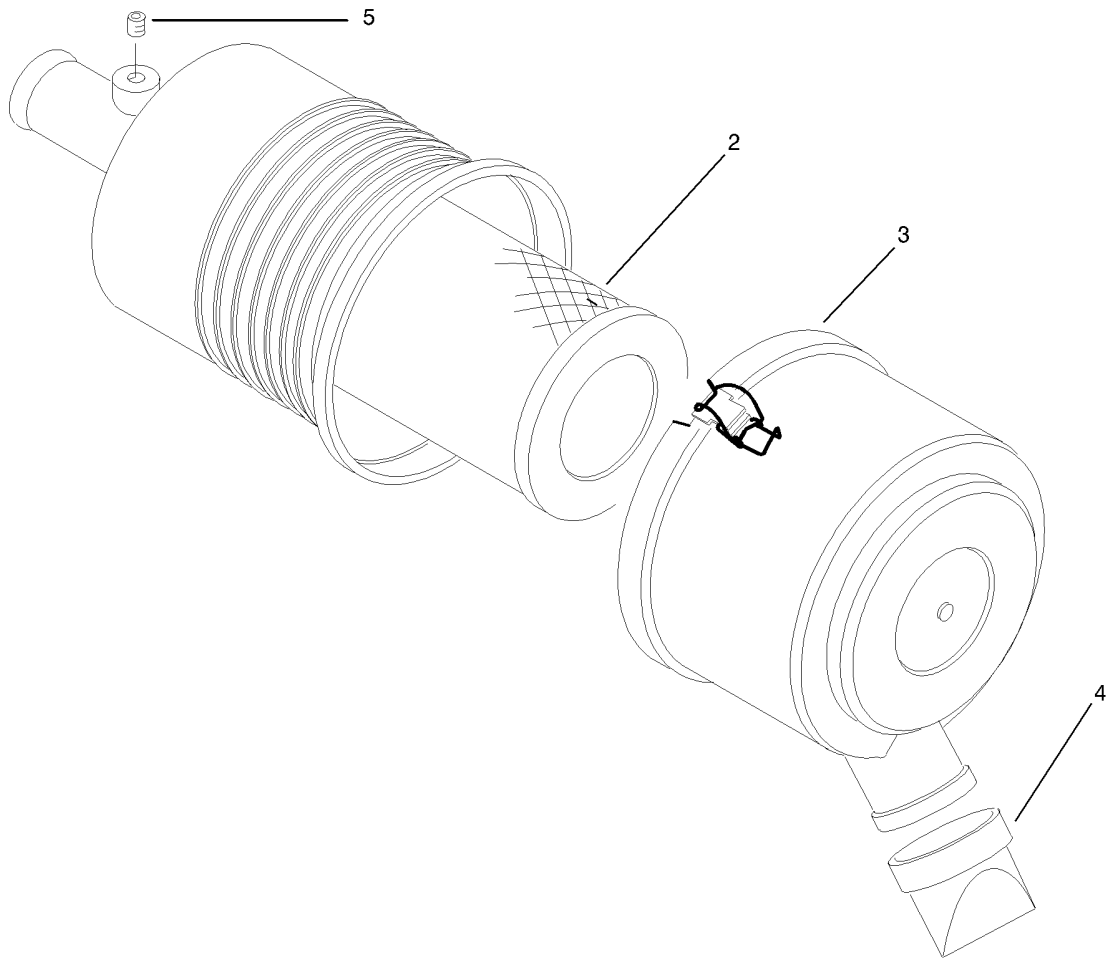
● Not illustrated

■ Not serviced separately



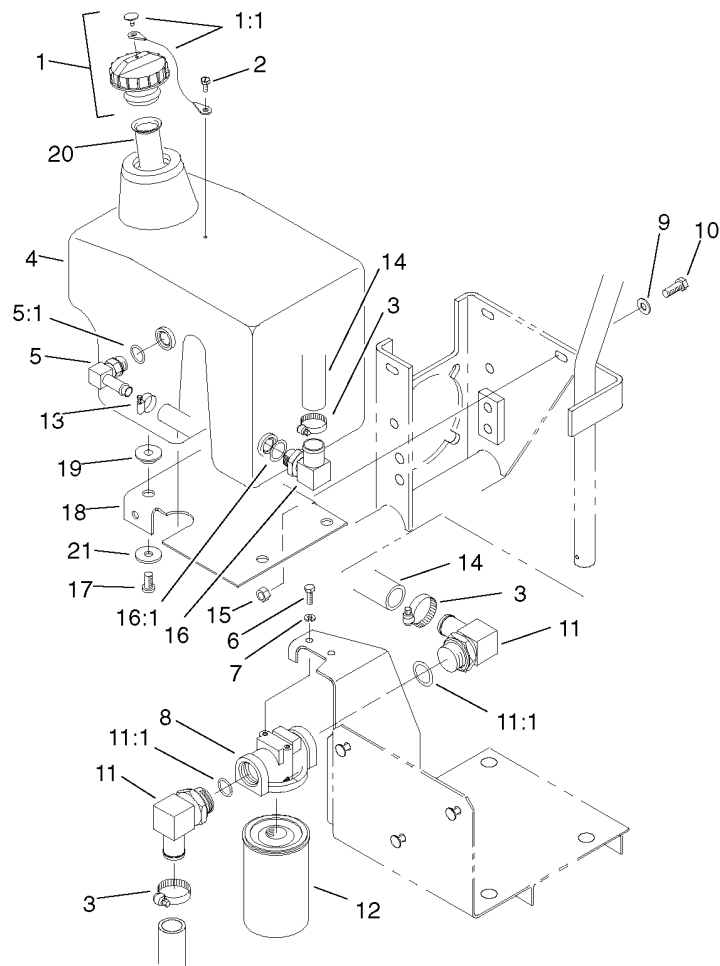
## Shroud and Oil Cooler Assembly

Ref.	Part Number	Qty.	Description	Ref.	Part Number	Qty.	Description
1	99-1644	1	Dash Shroud ASM	13	92-7159	1	Tread-Floor, LH
1:2	32148-6	4	Insert-Nut	14	3234-33	3	Screw-HHF
2	92-8997	1	Cooler-Oil	15	322-5	4	Screw-HH
3	85-9550	2	Rubber Clamp ASM	16	95-5807	2	Spacer
3:1	85-9670	1	T-Nut	17	3256-82	3	Washer-Flat
5	353-371	2	Fitting-Elbow-90	18	322-2	2	Screw-HH
5:1	237-79	1	O-Ring	19	95-0620-01	1	Strip-Retainer
6	95-0643	1	Tube-Valve To Cooler	20	95-5826	1	Shield-Rubber
8	95-0610	1	Engine Cover ASM	21	2412-92	2	Clamp-Hose
8:2	95-0611	1	Bracket-RH	22	95-0582	1	Hose-Intake, Air
8:3	95-0612	1	Bracket-LH	23	95-5805	1	Air Cleaner ASM
8:4	3269-8	6	Rivet-Blind	24	95-5806	1	Bracket-Mounting
8:5	59-9740	2	Flex Draw Latch ASM	25	92-7158	1	Tread-Floor, RH
8:5:2	249-40	1	Keeper	26	95-5817	1	Front Shield ASM
8:6	94-1392	2	Pad-Rubber	26:1	249-40	2	Keeper
8:7	3269-28	2	Rivet-Pop	26:2	32148-6	3	Insert-Nut
8:8	92-8985	1	Decal-Operating	26:3	3269-8	4	Rivet-Blind
8:9	93-7252	1	Decal-Ce Mark	27	106-8103	2	Decal
8:10	3256-14	2	Washer-Flat	28	3290-379	2	Tie-Cable
9	46-8560	6	Screw-HHFTF	30	94-4519	1	Tube-Convolute
10	3256-23	4	Washer-Flat	31	3290-378	2	Tie-Cable
11	322-20	2	Screw-HH	32	106-8104	2	Decal
12	3296-29	6	Nut-Lock, NI	33	105-7872	1	Decal-Europe Noise, 96Db



## Air Cleaner Assembly No. 95-5805

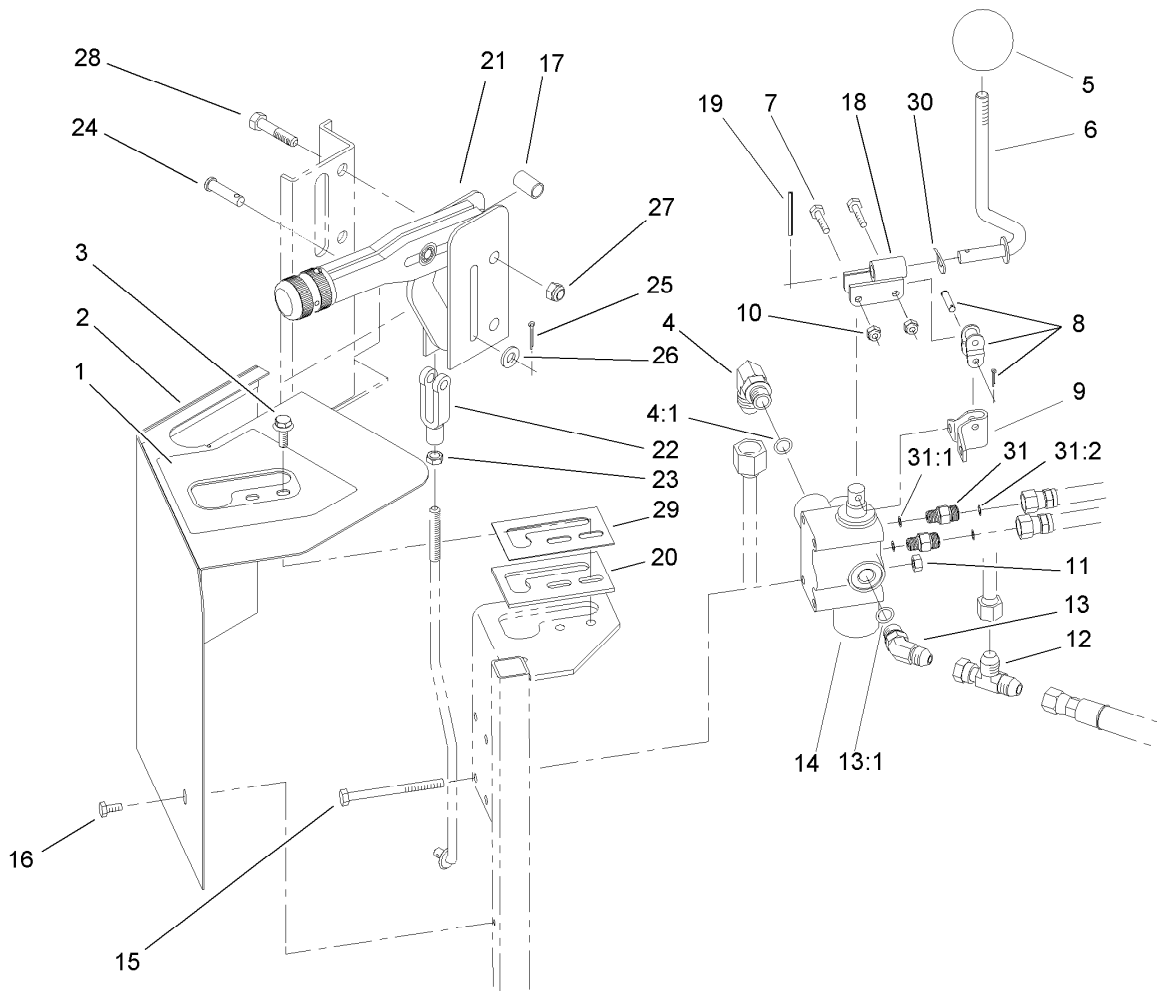
<i>Ref.</i>	<i>Part Number</i>	<i>Qty.</i>	<i>Description</i>
2	108-3811	1	Filter-Air
3	94-3652	1	Cover ASM
4	87-9400	1	Valve-Vacuator
5	285-17	1	Plug-Pipe



## Hydraulic Oil Reservoir and Filter Assembly

<i>Ref.</i>	<i>Part Number</i>	<i>Qty.</i>	<i>Description</i>
1	93-4365	1	Cap-Oil
1:1	75-0540	1	Tether And Button Kit
2	57-5420	1	Screw-Shoulder
3	2412-129	4	Clamp-Hose
4	98-0968	1	Tank-HYD
5	354-120	1	Fitting-HYD, 90 DEG
5:1	237-79	1	O-Ring
6	321-3	2	Screw-HH
7	3253-3	2	Washer-Lock
8	68-8990	1	Filter Head ASM
9	3256-24	3	Washer-Flat
10	323-6	3	Screw-HH
11	353-987	2	Fitting-HYD, 90

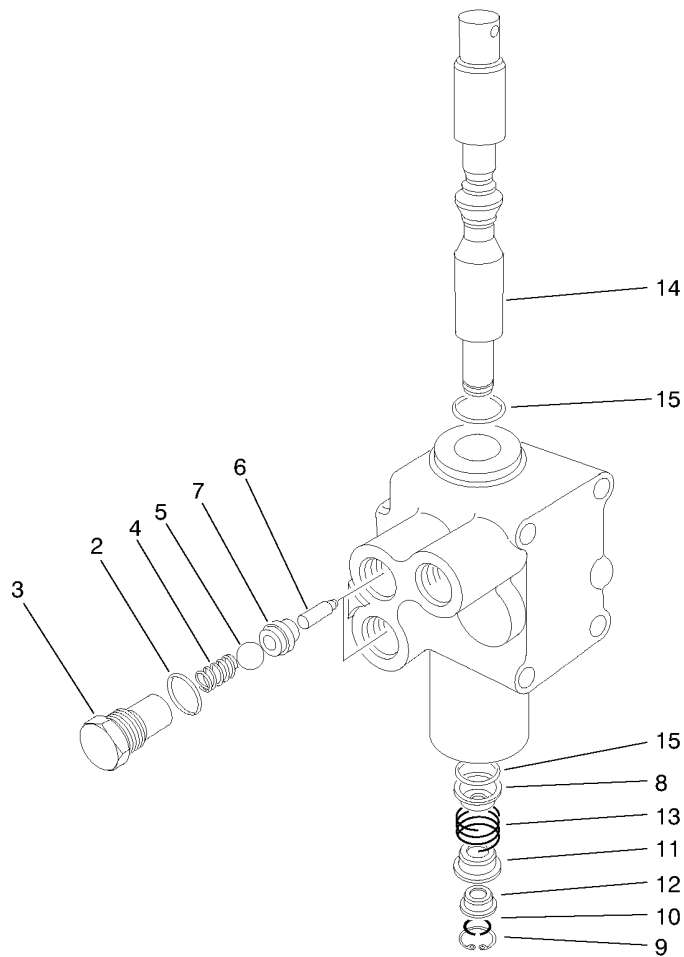
<i>Ref.</i>	<i>Part Number</i>	<i>Qty.</i>	<i>Description</i>
11:1	237-81	1	O-Ring
12	23-9740	1	Filter-Oil
13	2412-36	1	Clamp-Hose
14	107-2152	1	Hose-Suction
15	3296-39	3	Nut-Lock, NI
16	354-136	1	Fitting-HYD
16:1	237-80	1	O-Ring
17	3250-36	3	Screw-PPH
18	95-0590-03	1	Base-Tank, HYD
19	240-11	4	Bushing-Flange
20	92-1705	1	Filter-Screen
21	63-8410	3	Washer



## Lift Valve Installation Assembly

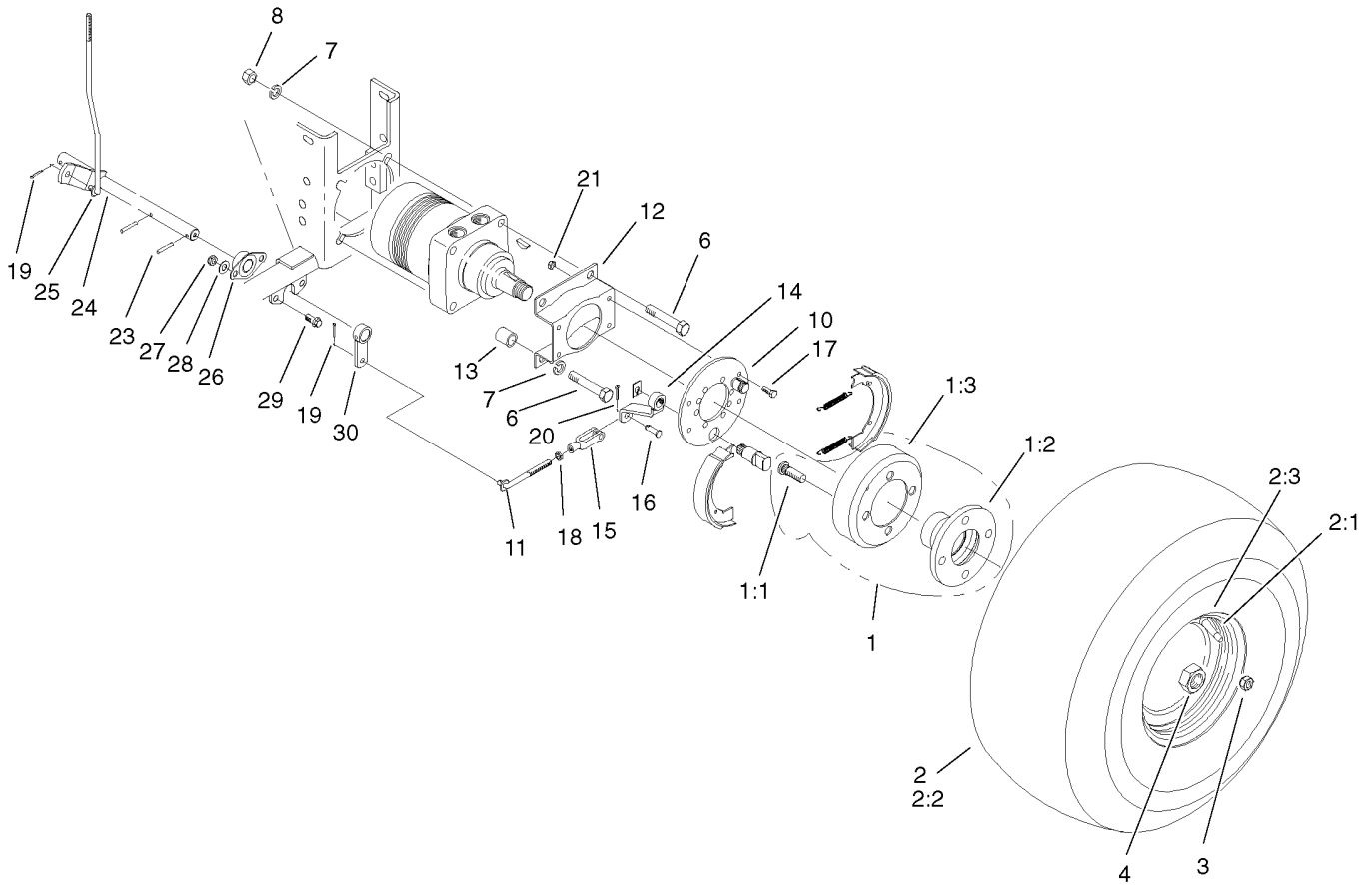
Ref.	Part Number	Qty.	Description
1	95-0647	1	Decal-Control
2	95-0601-01	1	Valve Shroud ASM
3	3234-33	2	Screw-HHF
4	353-511	1	Fitting-HYD, 90 DEG
4:1	237-42	1	O-Ring
5	233-21	1	Knob
6	92-8981	1	Lift Lever ASM
7	3290-360	2	Screw-HH
8	2710-20	1	Link-Offset
9	88-8480	1	Bracket-Pivot
10	3296-2	2	Nut-Lock, NI
11	3296-42	4	Nut-Lock, NI
12	353-877	1	Fitting-HYD, Tee (Swivel)
13	353-212	1	Fitting-HYD, 45 DEG
13:1	237-42	1	O-Ring
14	43-1710-01	1	Valve ASM
15	321-23	4	Screw-HH
16	32104-76	1	Screw

Ref.	Part Number	Qty.	Description
17	85-0290	2	Spacer-Pivot, Seat
18	92-8983	1	Pivot
19	32121-73	1	Pin-Roll
20	21-8640	1	Latch-Lever, Valve
21	95-0636	1	Lever-Brake
22	282-2	1	Yoke
23	3220-2	1	Nut-Jam
24	283-14	1	Pin-Clevis
25	3272-6	1	Pin-Cotter
26	3256-23	1	Washer-Flat
27	3296-29	2	Nut-Lock, NI
28	322-8	2	Screw-HH
29	95-5833	1	Guide-Lever
30	3290-477	1	Washer-Curved
31	340-92	2	Fitting-HYD, Straight
31:1	237-78	1	O-Ring
31:2	237-21	1	O-Ring



## Valve Assembly No. 43-1710-01

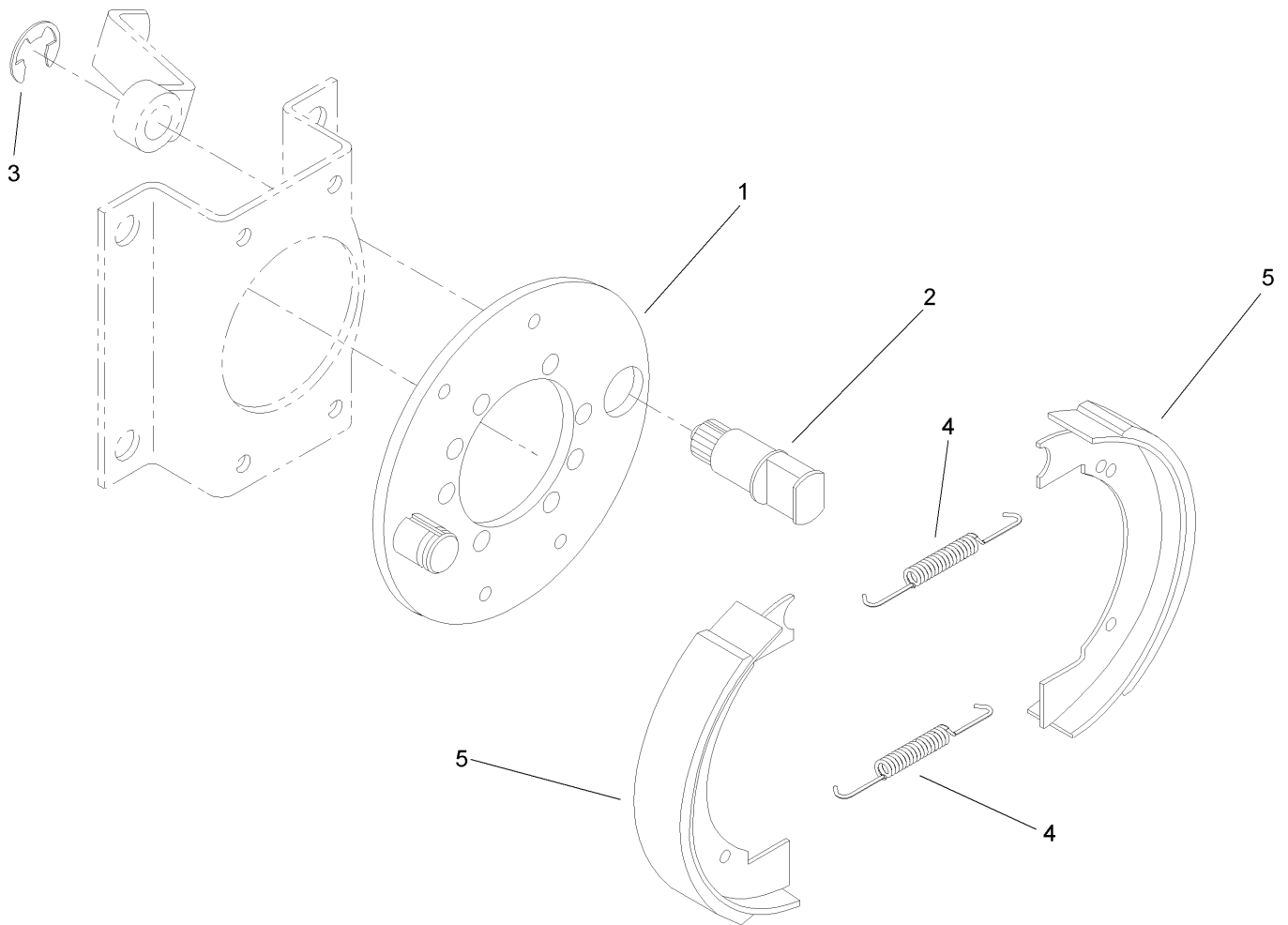
<i>Ref.</i>	<i>Part Number</i>	<i>Qty.</i>	<i>Description</i>
2	237-42	2	O-Ring
3	22-8330	2	Plug
4	22-8340	2	Spring
5	22-8350	2	Ball
6	22-8360	2	Pin
7	22-8370	2	Seat-Valve
8	22-8380	1	Retainer
9	22-8490	1	Ring-Snap
10	22-8480	1	Ring-Snap
11	22-8390	1	Retainer
12	22-8400	1	Spacer
13	22-8410	1	Spring
14	22-8420	1	Spool
15	22-8500	2	O-Ring



## Brake Installation Assembly

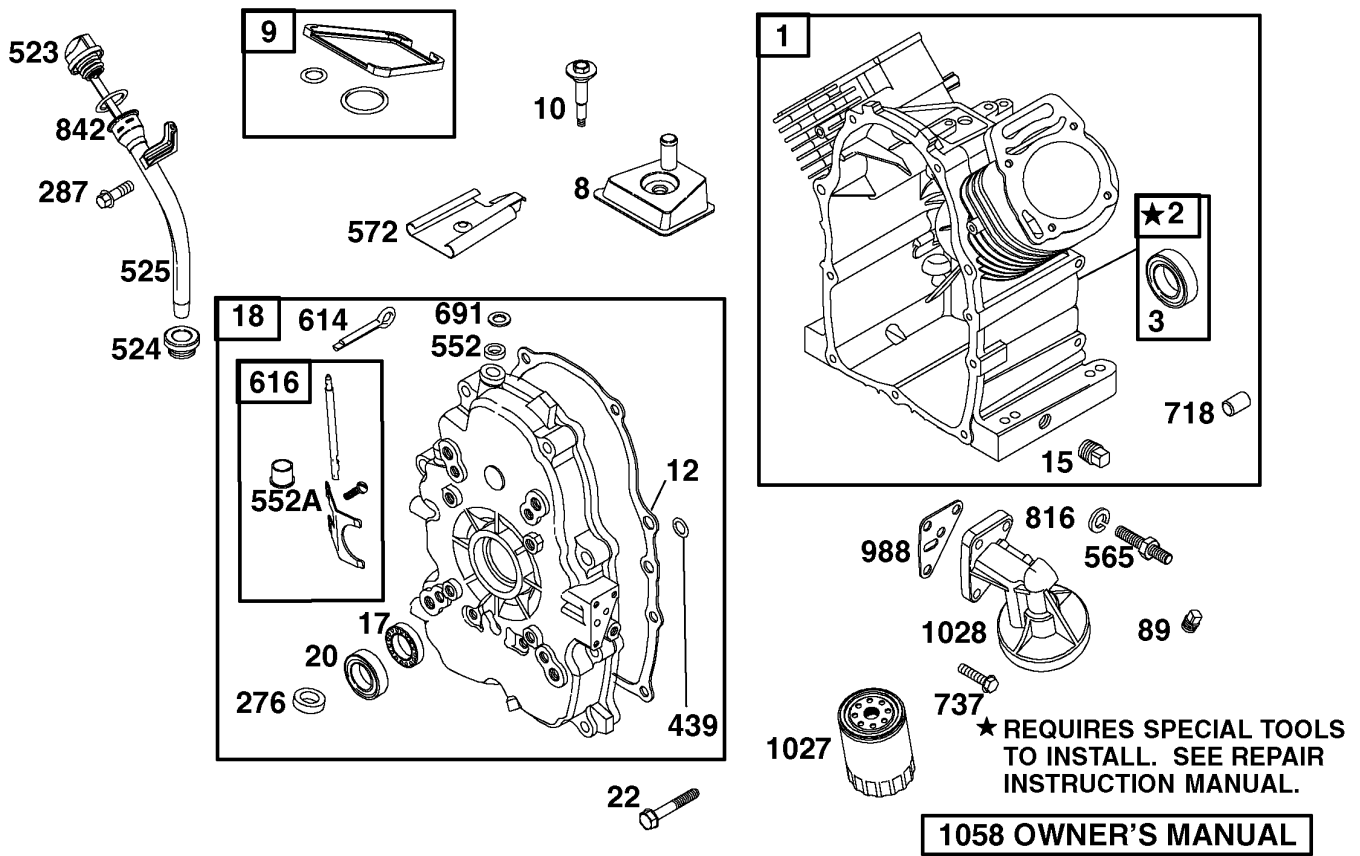
Ref.	Part Number	Qty.	Description	Ref.	Part Number	Qty.	Description
1	17-8149	2	Wheel Hub ASM	14	93-6850	2	Lever-Brake
1:1	85-6540	4	Stud-Drive	15	282-2	2	Yoke
1:2	93-6838-03	1	Hub-Wheel	16	283-1	2	Pin-Clevis
1:3	10-6850	1	Drum-Brake	17	321-4	8	Screw-HH
2		2	Wheel And Tire ASM ●	18	3220-2	2	Nut-Jam
2:1	232-35	1	Valve Stem And Cap ASM	19	3272-6	3	Pin-Cotter
2:2	85-8290	1	Tire-2Ply, Knobby	20	3272-10	2	Pin-Cotter
2:3	94-6116	1	Wheel-Rear	21	3296-42	8	Nut-Lock, NI
3	242-50	8	Nut-Lug	23	32121-6	4	Pin-Roll, Slotted
4	26-3790	2	Nut-Lock	24	95-0625	1	Rod-Traverse
6	325-14	8	Screw-HH	25	95-0628	1	Rod-Brake
7	3253-7	8	Washer-Lock	26	27-2320	2	Bearing
8	3217-9	4	Nut-HH	27	3296-59	4	Nut-Lock, NI
10	104-7705	2	Brake ASM	28	3256-24	4	Washer-Flat
11	84-1990	2	Rod-Adjusting	29	3234-1	4	Screw-HHF
12	84-2000-03	2	Bracket-Brake	30	83-9310	2	RH Brake Lever ASM
13	92-1715	8	Spacer				

● Not serviced separately



## Brake Assembly No. 104-7705

<i>Ref.</i>	<i>Part Number</i>	<i>Qty.</i>	<i>Description</i>
1	70-9870	1	Plate-Backing
2	104-7707	1	Shaft-Cam, Brake
3	104-7706	1	E-Ring, Bowed
4	70-9880	2	Spring-Return
5	70-9840	2	Shoe-Brake



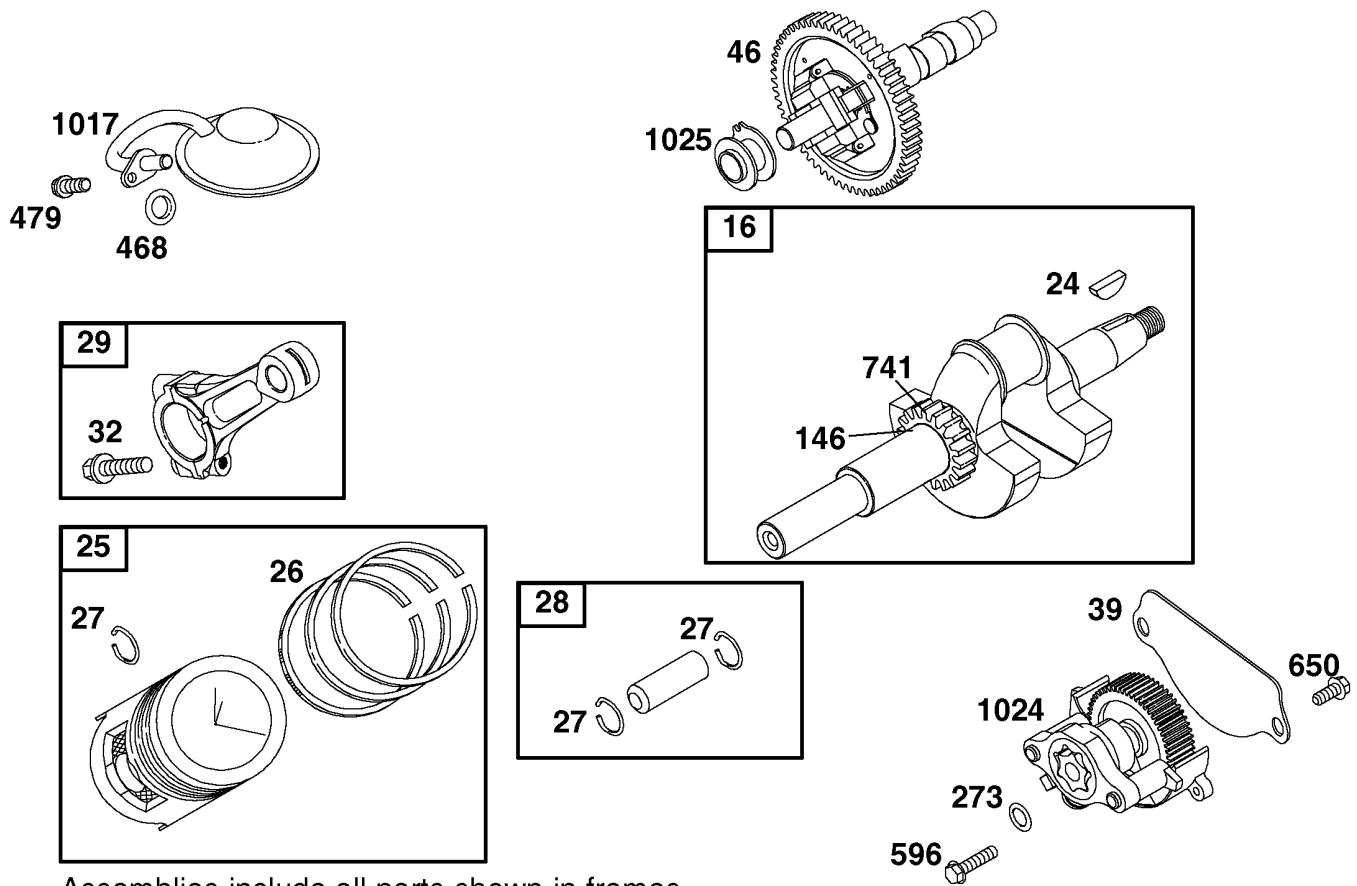
Assemblies include all parts shown in frames.

## Cylinder Assembly Briggs and Stratton 303447-1180-E1

Ref.	Part Number	Qty.	Description	Ref.	Part Number	Qty.	Description
1	692178	1	Cylinder ASM ●	524	281370	1	Seal ■ ●
2	808534	1	Bushing-Seal Kit ●	525	807584	1	Tube-Oil Fill ●
3	805101	1	Seal-Oil ■ ●	552	690701	1	Bushing-Crank, Governor ●
8	807795	1	Breather Assembly ●	552A	806686	1	Bushing-Crank, Governor ●
9	807688	1	Gasket-Breather ■ ●	565	690706	1	Washer ●
10	805751	1	Screw ●	572	805197	1	Baffle-Oil ●
12	806190	1	Gasket-Crankcase ●	614	691550	1	Retainer-Shaft, Governor ●
15	805048	1	Plug-Oil Drain ●	616	806685	1	Crank-Governor ●
17	690752	1	Bearing-Ball ●	691	690680	1	Seal-Shaft, Governor ■ ●
18	808847	1	Cover-Crankcase ●	718	690684	1	Pin-Locating ●
20	805049	1	Seal-Oil ■ ●	737	690679	1	Screw ●
22	692540	1	Screw ●	816	690706	1	Washer ●
89	690283	1	Plug-Oil ●	842	805386	1	O-Ring ■ ●
276	690704	1	Washer-Sealing ●	988	805250	1	Gasket-Adapter ■ ●
287	805247	1	Screw ●	1027	492932	1	Filter-Oil ●
439	692154	1	Seal-O Ring ●	1028	808325	1	Adapter-Oil Filter ●
523	807977	1	Dipstick ●	1058	274272	1	Manual-Owner's ●

● Obtain parts from [www.briggsandstratton.com](http://www.briggsandstratton.com)

■ Included in Engine Gasket Set-Part No. 808390



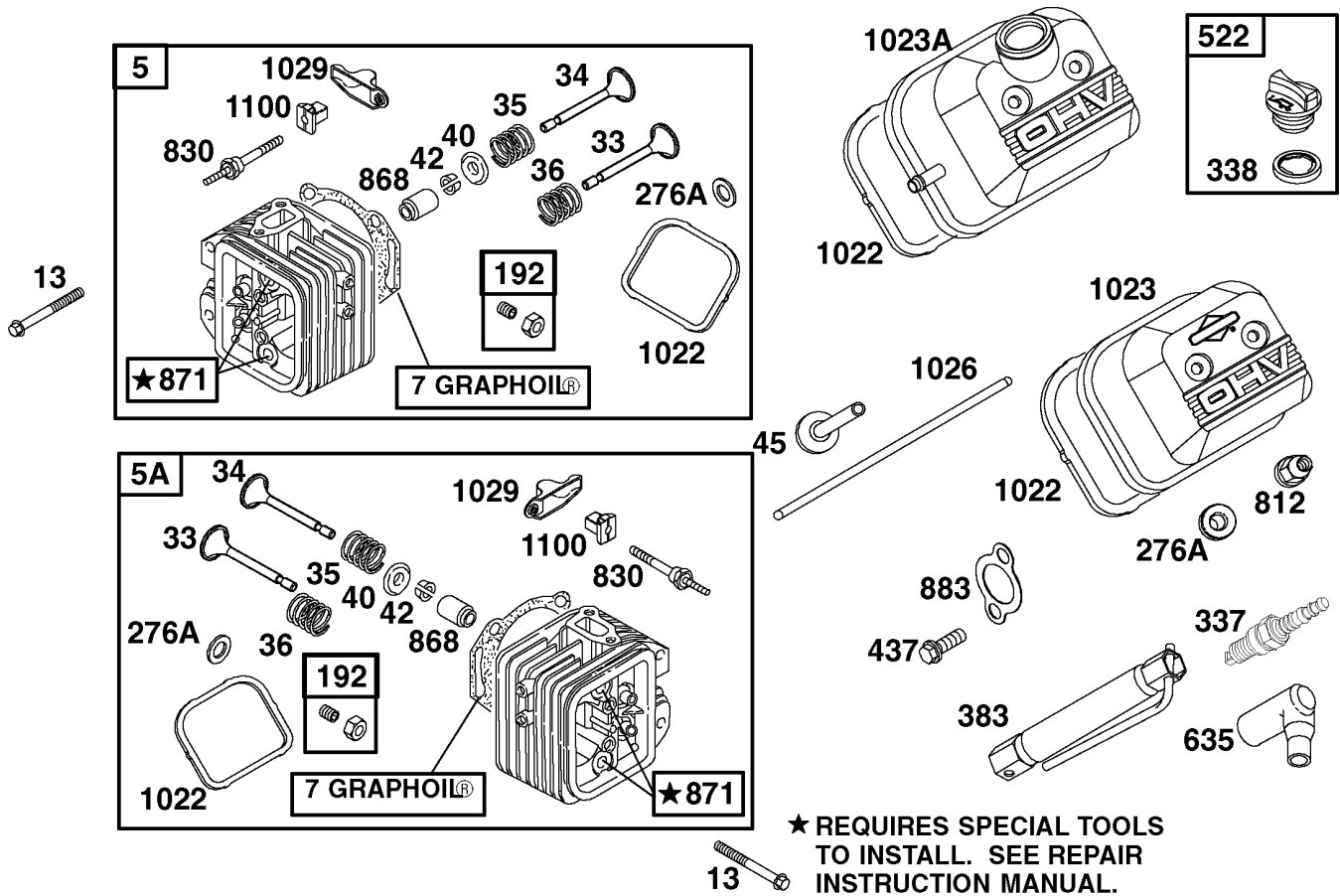
Assemblies include all parts shown in frames.

## Crankshaft Assembly Briggs and Stratton 303447-1180-E1

Ref.	Part Number	Qty.	Description	Ref.	Part Number	Qty.	Description
16	692168	1	Crankshaft ●	807809		1	Piston ASM (.020 Oversize) ●
24	806066	1	Key-Flywheel ●	32	690698	1	Screw ●
25	807619	1	Piston ASM (Standard) ●	39	690745	1	Deflector-Oil ●
	807807	1	Piston ASM (.010 Oversize) ●	46	691557	1	Camshaft ●
	807809	1	Piston ASM (.020 Oversize) ●	146	94196	1	Key-Timing ●
	807811	1	Piston ASM (.030 Oversize) ●	273	690681	1	Seal-O Ring ■●
26	807620	1	Ring Set (Standard) ●	468	690690	1	Seal-O Ring ■●
	807808	1	Ring Set (.010 Oversize) ●	479	692537	1	Screw ●
	807810	1	Ring Set (.020 Oversize) ●	596	691492	1	Screw ●
	807812	1	Ring Set (.030 Oversize) ●	650	692539	1	Screw ●
27	690683	1	Lock-Pin, Piston ●	741	691530	1	Gear-Timing ●
28	807621	1	Pin-Piston ●	1017	690900	1	Screen-Pump, Oil ●
29	807900	1	Rod-Connecting (Standard) ●	1024	693185	1	Pump-Oil ●
				1025	690689	1	Spool-Governor ●

● Obtain parts from [www.briggsandstratton.com](http://www.briggsandstratton.com)

■ Included in Engine Gasket Set-Part No. 808390



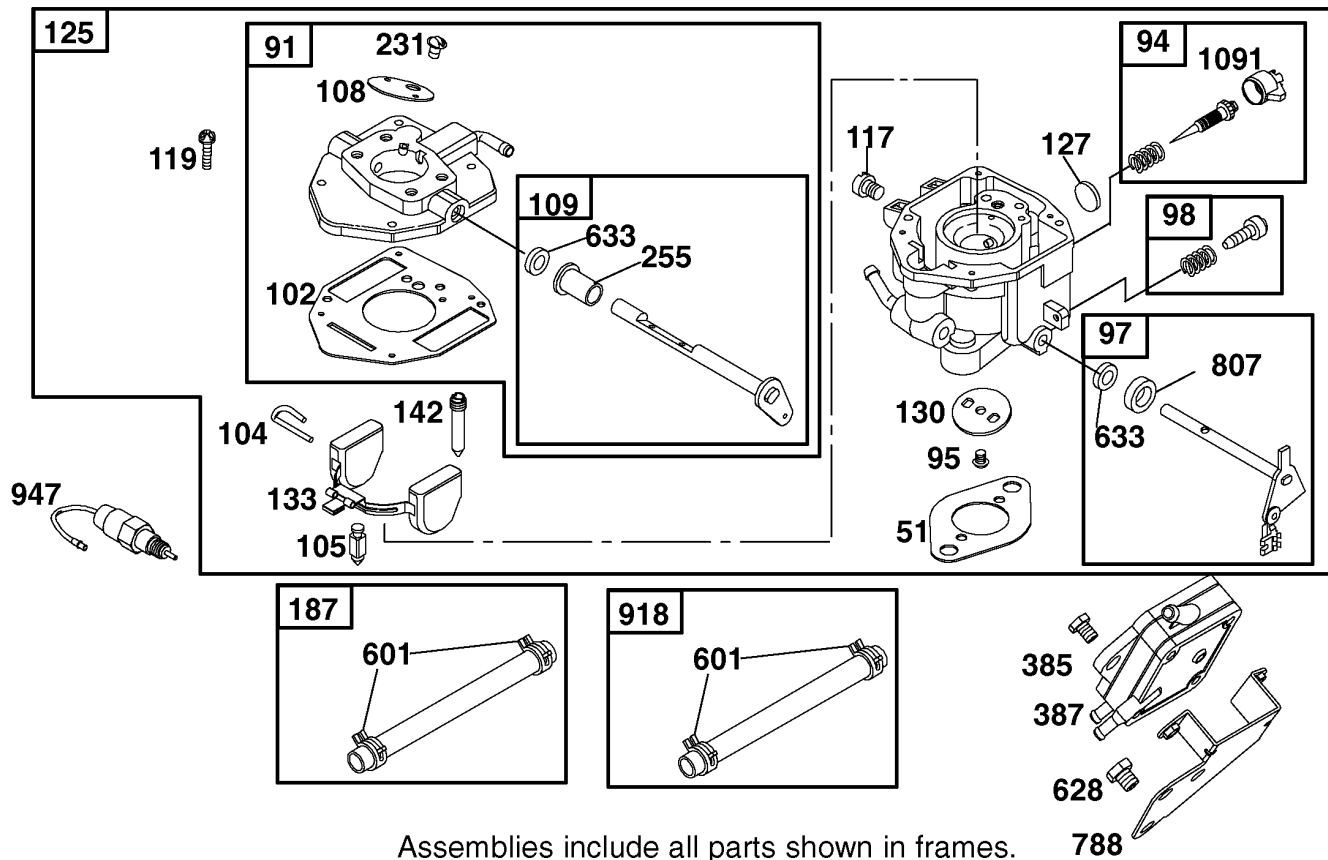
Assemblies include all parts shown in frames.

## Crankcase Assembly Briggs and Stratton 303447-1180-E1

Ref.	Part Number	Qty.	Description	Ref.	Part Number	Qty.	Description
5	808381	1	Head-Cylinder (Cylinder No. 1) ●	383	19374	1	Wrench-Spark Plug ●
5A	808382	1	Head-Cylinder (Cylinder No. 2) ●	522	491832	1	Plug-Fill, Dipstick ●
7	806085	1	Gasket-Head, Cylinder ▲ ■ ●	437	805158	1	Screw ●
13	805097	1	Screw-HH ●	635	805529	1	Boot-Spark Plug ●
33	807681	1	Valve-Exhaust ●	812	805019	1	Nut-Lock ●
34	807680	1	Valve-Intake ●	830	691544	1	Stud-Rocker Arm ●
35	805937	1	Spring-Valve ●	868	805094	1	Seal-Valve ●
36	805937	1	Spring-Valve ●	871	805084	1	Guide-Valve ●
40	805092	1	Retainer-Valve ●	883	805024	1	Gasket-Exhaust ▲ ■ ●
42	807683	1	Keeper-Valve ●	1022	806039	1	Gasket-Cover, Rocker ■ ▲ ●
45	262679	1	Tappet-Valve ●	1023	691494	1	Cover-Valve ●
192	807623	1	Adjuster-Arm, Rocker ●	1023A	690910	1	Cover-Valve ●
276A	805420	1	Washer ▲ ■ ●	1026	805352	1	Rod-Push ●
337	496018	1	Spark Plug ●		805617	1	Rod-Push (Aluminum-Exhaust) ●
338	691312	1	Seal-O Ring ■ ▲ ●	1029	691543	1	Arm-Rocker ●
				1100	690973	1	Pivot-Arm, Rocker ●

● Obtain parts from [www.briggsandstratton.com](http://www.briggsandstratton.com)  
▲ Included in Engine Gasket Set-Part No. 808390

■ Included in Valve Gasket Set-Part No. 808392

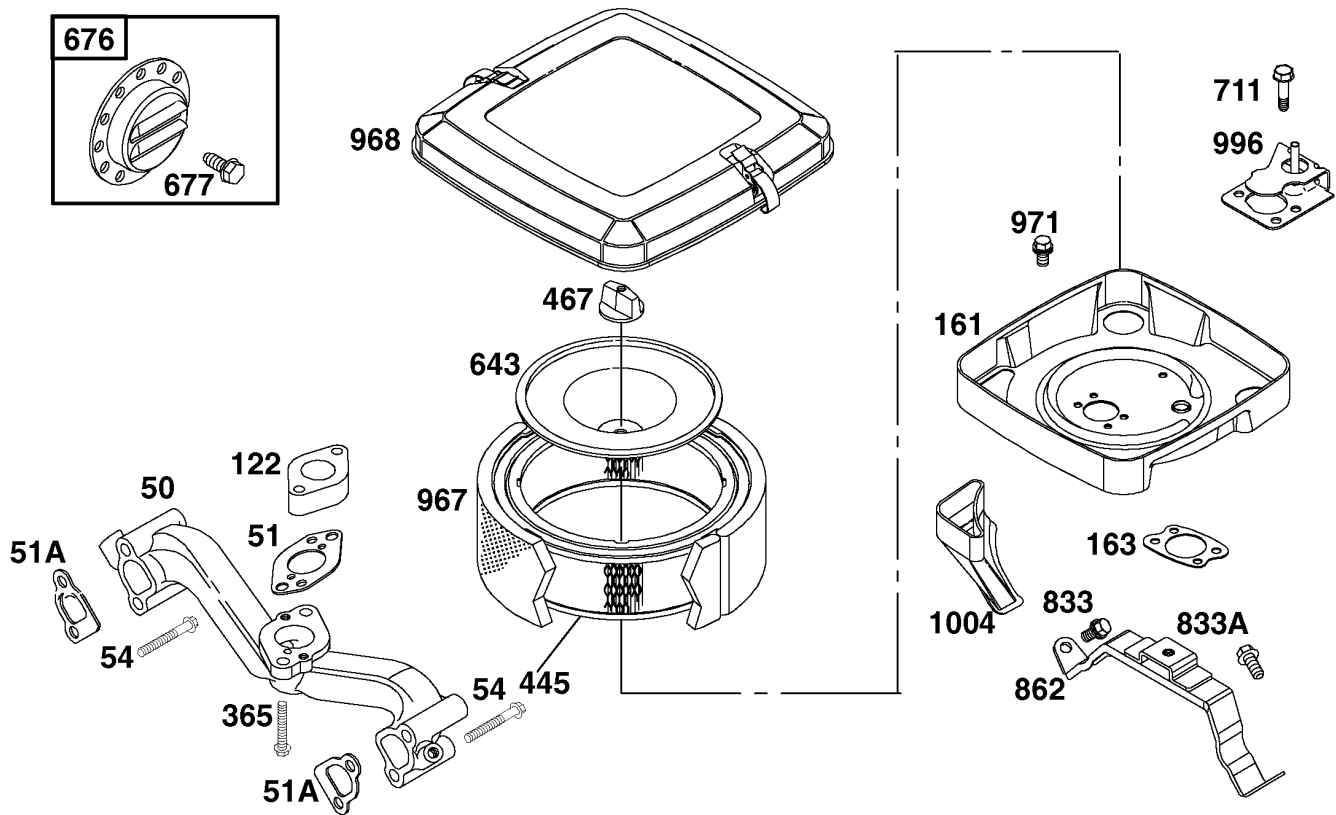


## Carburetor Assembly Briggs and Stratton 303447-1180-E1

Ref.	Part Number	Qty.	Description	Ref.	Part Number	Qty.	Description
51	805700	1	Gasket-Intake ■●	133	691510	1	Float-Carburetor ●
91	807919	1	Body-Carburetor, Upper ●	142	690725	1	Nozzle-Carburetor ▲●
94	808257	1	Idle Mixture Kit ▲●	187	296004	1	Fuel-Hose ●
95	690718	1	Screw ●	231	690718	1	Screw ●
97	807720	1	Shaft-Throttle ●	255	690721	1	Bushing-Shaft, Choke ▲●
98	808177	1	Idle Speed Kit ●	385	692537	1	Screw ●
102	805541	1	Gasket-Intake Elbow ▲●	387	491922	1	Pump-Fuel ●
104	690723	1	Pin-Hinge, Float ▲●	601	93053	1	Clamp-Hose ●
105	805547	1	Valve-Needle ▲●	628	805025	1	Screw ●
108	690719	1	Valve-Choke ●	633	690722	1	Seal-Shaft, Choke Throttle ▲●
109	807722	1	Shaft-Choke ●	788	691559	1	Bracket-Pump, Fuel ●
117	690861	1	Jet-Main ●	807	805557	1	Collar-Throttle ▲●
	805537	1	Jet-Main (High Altitude) ●	918	393815	1	Line-Vacuum ●
119	690720	1	Screw ●	947	807664	1	Solenoid ●
125	808251	1	Carburetor Assembly ●	1091	691516	1	Cap-Limiter ▲●
127	690727	1	Plug-Welch ▲●				
130	690726	1	Valve-Throttle ●				

● Obtain parts from [www.briggsandstratton.com](http://www.briggsandstratton.com)  
▲ Included in Carburetor Overhaul Kit-Part No. 808273.

■ Included in Engine Gasket Set-Part No. 808390

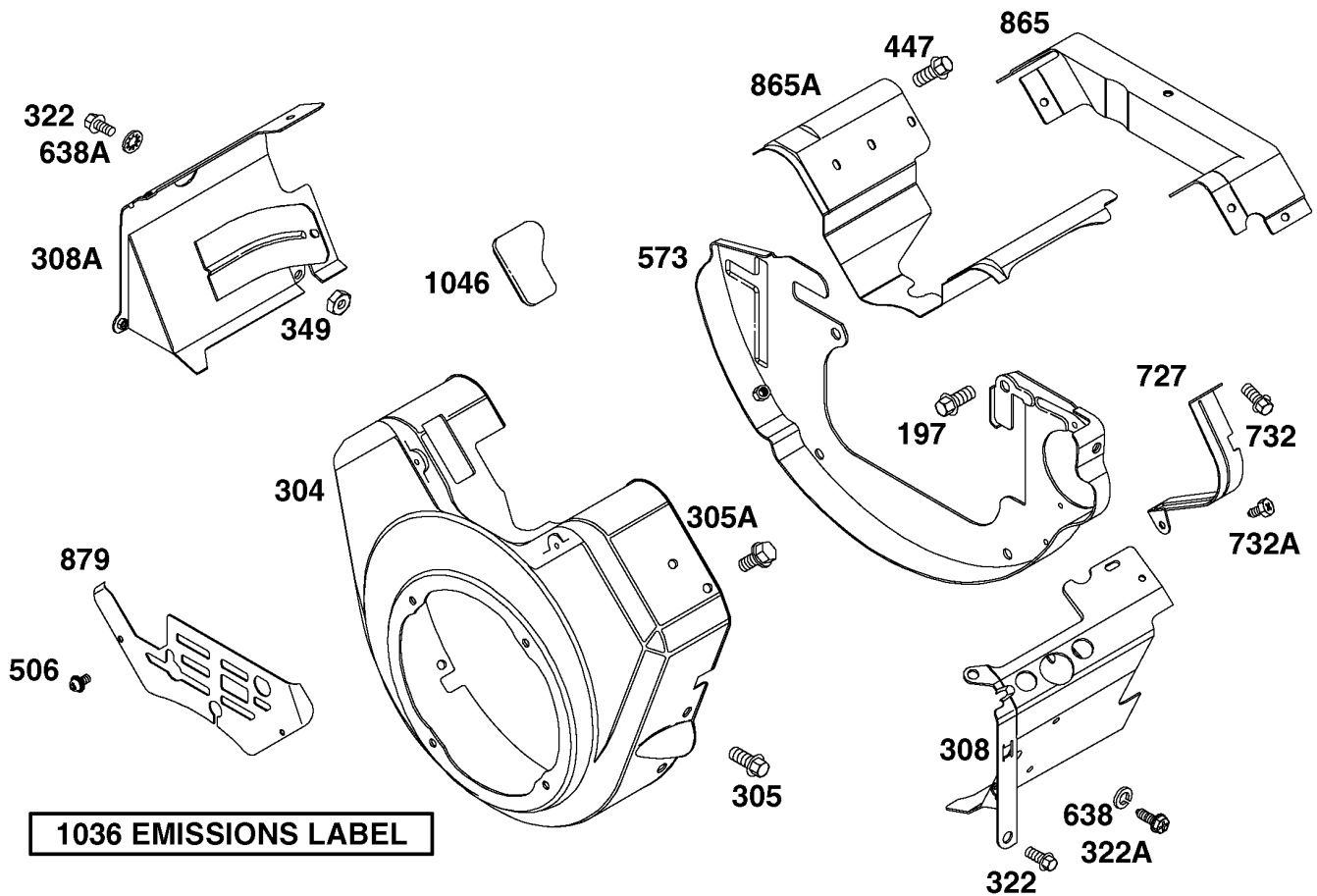


## Air Cleaner Assembly Briggs and Stratton 303447-1180-E1

Ref.	Part Number	Qty.	Description
50	690754	1	Manifold-Intake ●
51	805700	1	Gasket-Intake ▲●
51A	805023	1	Gasket-Intake ▲■●
54	690676	1	Screw ●
122	690691	1	Spacer-Carburetor ●
161	691561	1	Base-Cleaner, Air ●
163	805655	1	Gasket-Carburetor ▲●
365	690711	1	Screw ●
445	394018	1	Filter-Air ●
467	491875	1	Knob ●
643	805631	1	Plate-Element ●
676	397630	1	Deflector-Exhaust ●
677	94896	1	Screw ●
711	691492	1	Screw ●
833	692539	1	Screw ●
833A	690872	1	Screw ●
862	692153	1	Strap-Stud Mounting, Air Cleaner ●
967	272490	1	Filter-Air ●
968	807862	1	Cover-Air Cleaner ●
971	692539	1	Screw ●
996	691577	1	Shield-Carburetor ●
1004	690743	1	Strap-Cleaner Mounting ●

● Obtain parts from [www.briggsandstratton.com](http://www.briggsandstratton.com)  
▲ Included in Engine Gasket Set-Part No. 808390

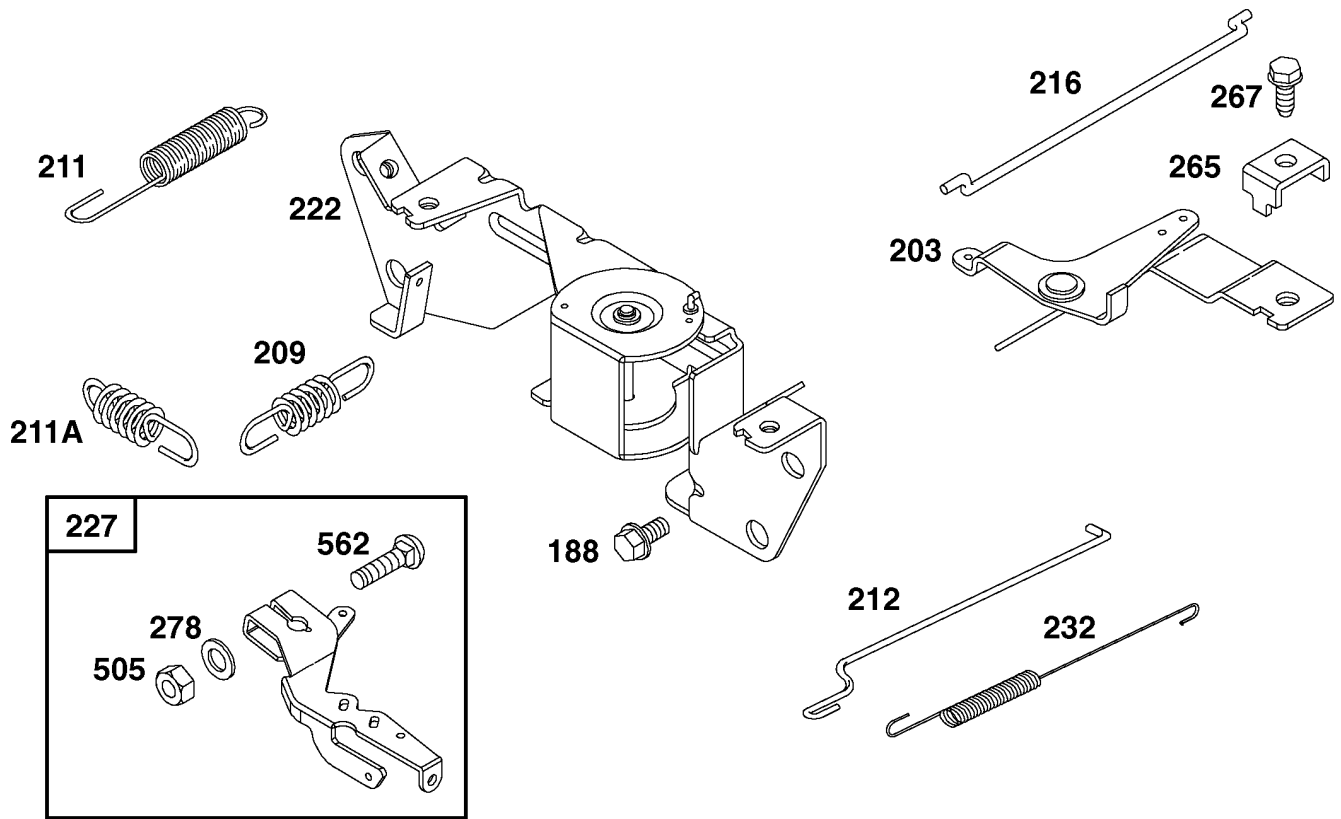
■ Included in Valve Gasket Set-Part No. 808392



## Blower Housing Assembly Briggs and Stratton 303447-1180-E1

Ref.	Part Number	Qty.	Description
197	692539	1	Screw ●
304	808408	1	Housing-Blower ●
305	692539	1	Screw ●
305A	805025	1	Screw ●
308	691576	1	Cover-Cylinder Head (Cylinder No.1) ●
308A	691563	1	Cover-Cylinder Head (Cylinder No.2) ●
322	692539	1	Screw ●
322A	805448	1	Screw ●
349	690238	1	Nut ●
447	692539	1	Screw ●
506	690617	1	Screw (Carburetor Cover) ●
573	807663	1	Plate-Back ●
638	690706	1	Washer ●
638A	691551	1	Washer ●
727	690714	1	Shield-Starter ●
732	692539	1	Screw ●
732A	690688	1	Screw ●
865	690901	1	Cover-Air Guide ●
865A	690750	1	Cover-Guide, Air ●
879	690757	1	Cover-Carburetor ●
1036	806687	1	Decal-Emission ●
1046	805753	1	Plug-Blower Housing ●

● Obtain parts from [www.briggsandstratton.com](http://www.briggsandstratton.com)

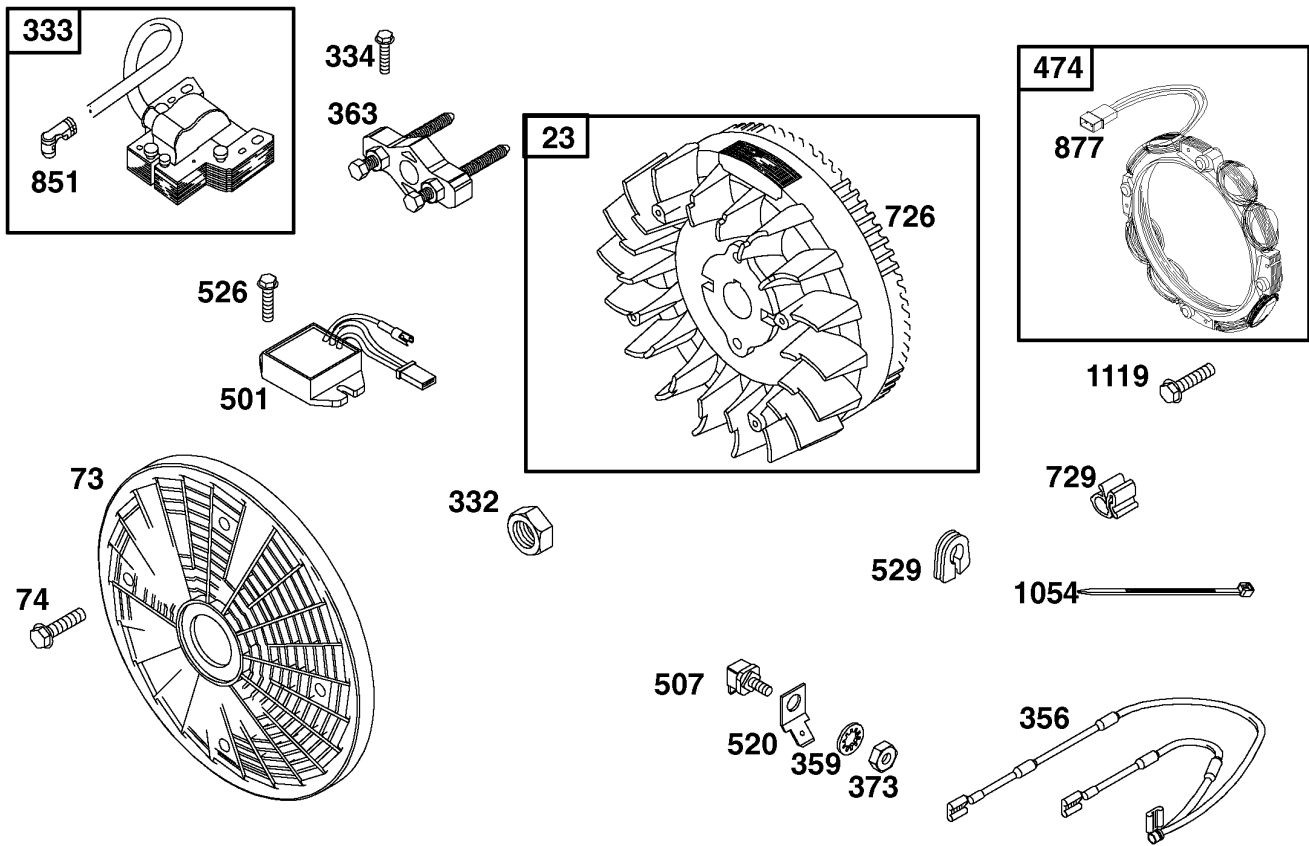


Assemblies include all parts shown in frames.

## Governor Assembly Briggs and Stratton 303447-1180-E1

<i>Ref.</i>	<i>Part Number</i>	<i>Qty.</i>	<i>Description</i>
188	805025	1	Screw ●
203	690923	1	Crank-Bell ●
209	691508	1	Spring-Governor ●
211	805450	1	Spring-Governor ●
211A	805453	1	Spring-Governor ●
212	690712	1	Link-Throttle ●
216	690705	1	Link-Choke ●
222	808454	1	Bracket-Control ●
227	690236	1	Lever-Control, Governor ●
232	805465	1	Spring-Link ●
265	221535	1	Clamp-Casing ●
267	805762	1	Screw-HH ●
278	690237	1	Washer ●
505	690238	1	Nut ●
562	690239	1	Bolt ●

● Obtain parts from [www.briggsandstratton.com](http://www.briggsandstratton.com)

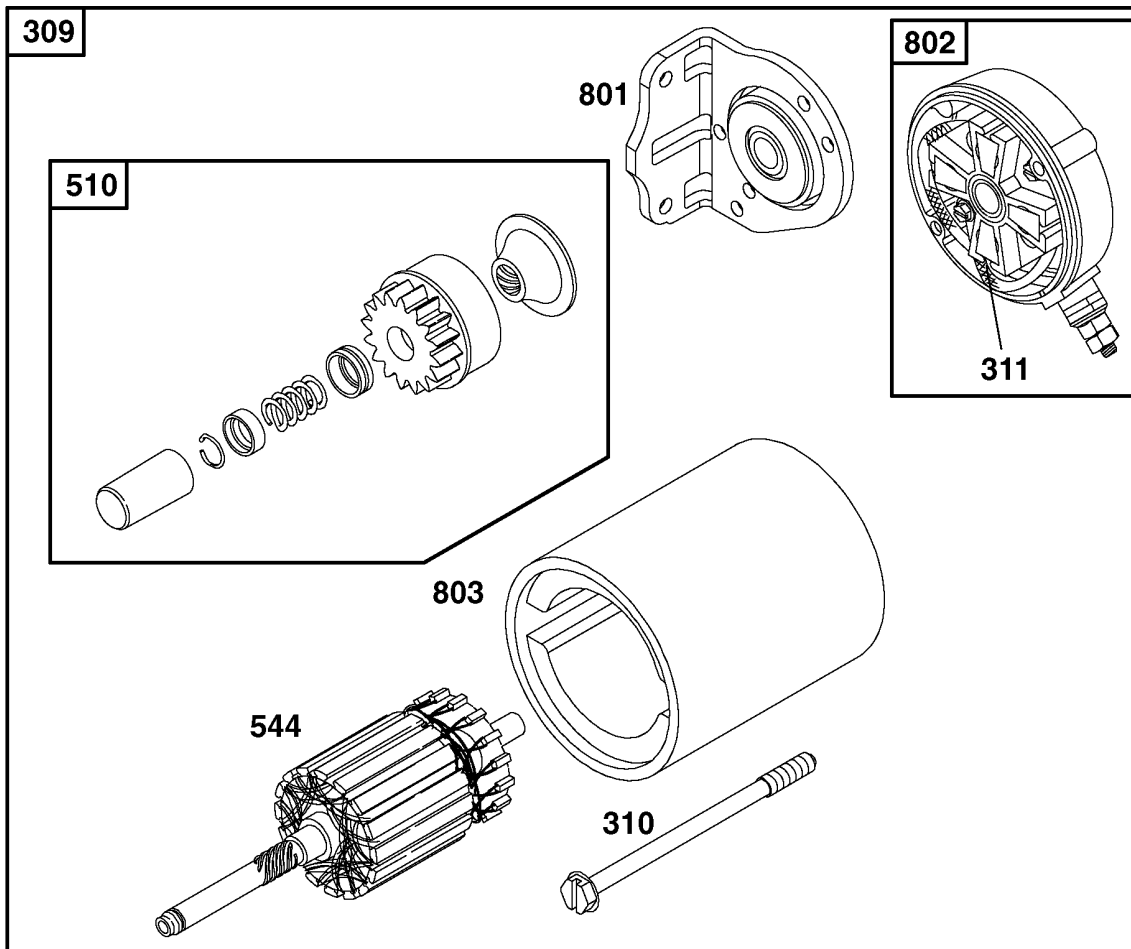


Assemblies include all parts shown in frames.

## Flywheel Assembly Briggs and Stratton 303447-1180-E1

Ref.	Part Number	Qty.	Description
23	690919	1	Flywheel ●
73	494439	1	Screen-Rotating ●
74	805447	1	Screw ●
332	690887	1	Nut ●
333	49234	1	Armature-Magneto ●
334	805407	1	Screw-HH ●
356	493792	1	Wire-Stop ●
359	691077	1	Washer ●
363	19203	1	Puller-Flywheel ●
373	90576	1	Nut ●
474	393295	1	Alternator ●
501	394890	1	Regulator ●
507	398525	1	Insulator ●
520	691084	1	Terminal-Ground ●
526	805448	1	Screw ●
529	690744	1	Grommet ●
726	808162	1	Ring Gear (Includes Mounting Hardware). ●
729	690586	1	Clip-Wire ●
851	493880	1	Terminal-Spark Plug ●
877	393537	1	Connector-Wire, Tri Circuit ●
1054	280275	1	Tie-Cable ●
1119	805407	12	Screw-HH ●

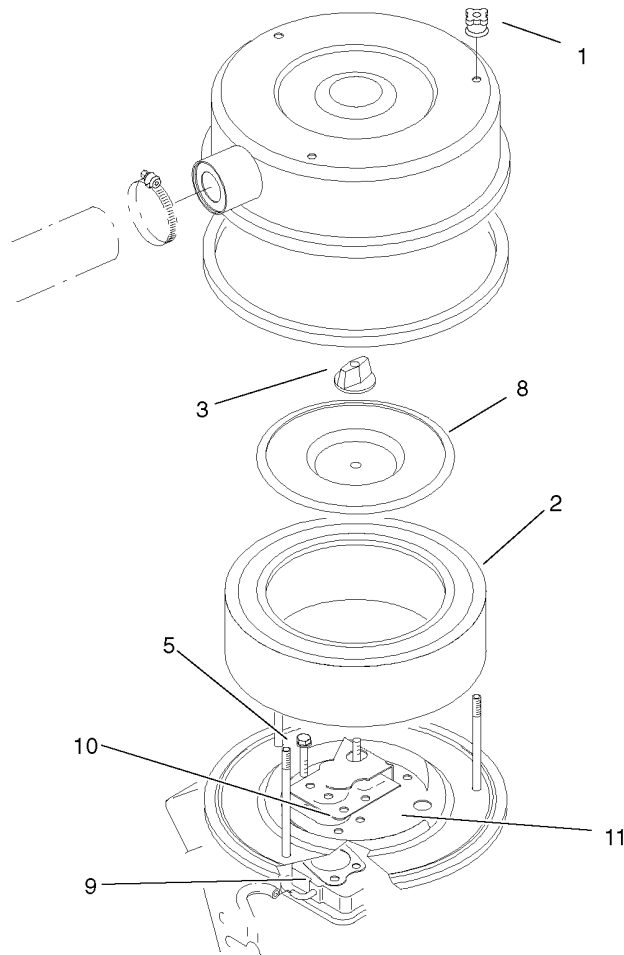
● Obtain parts from [www.briggsandstratton.com](http://www.briggsandstratton.com)



## Starter Assembly Briggs and Stratton 303447-1180-E1

<i>Ref.</i>	<i>Part Number</i>	<i>Qty.</i>	<i>Description</i>
309	691564	1	Motor-Starter ●
310	496880	1	Bolt-Thru ●
311	496887	1	Brush Set ●
510	496881	1	Drive-Starter ●
544	690855	1	Armature-Starter ●
697	805247	1	Screw ●
801	496814	1	Cap-Drive ●
802	496813	1	Cap-End ●
803	690854	1	Housing-Starter ●

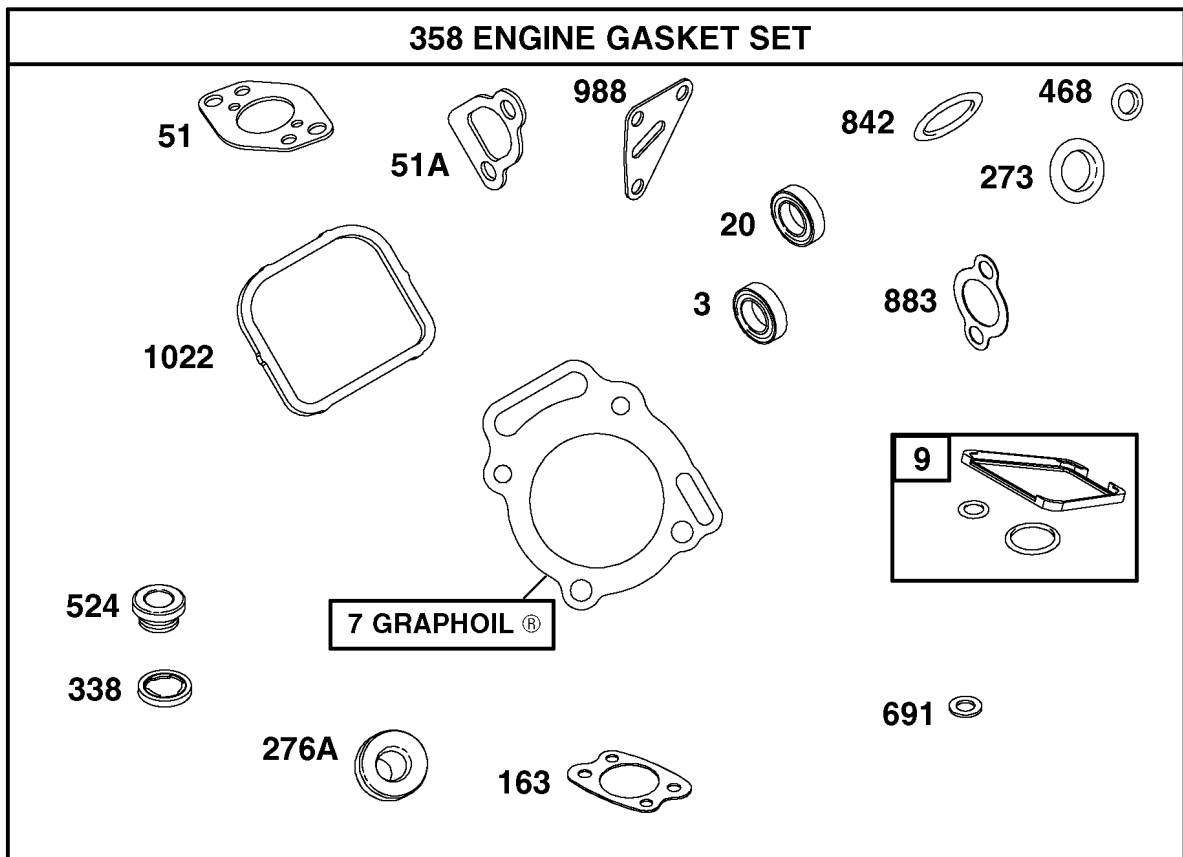
● Obtain parts from [www.briggsandstratton.com](http://www.briggsandstratton.com)



## Engine Parts Kit Briggs and Stratton 303447-1180-E1

<i>Ref.</i>	<i>Part Number</i>	<i>Qty.</i>	<i>Description</i>
1	281051	3	Nut ●
2	394018	1	Filter-Air ●
3	491875	1	Knob ●
5	805317	5	Screw-Hfh ●
8	805631	1	Plate-Element ●
9	805655	1	Gasket-Carburetor ●
10	808311	1	Shield-Carburetor ●
11	805783	1	Hose-Breather ●

● Obtain parts from [www.briggsandstratton.com](http://www.briggsandstratton.com)



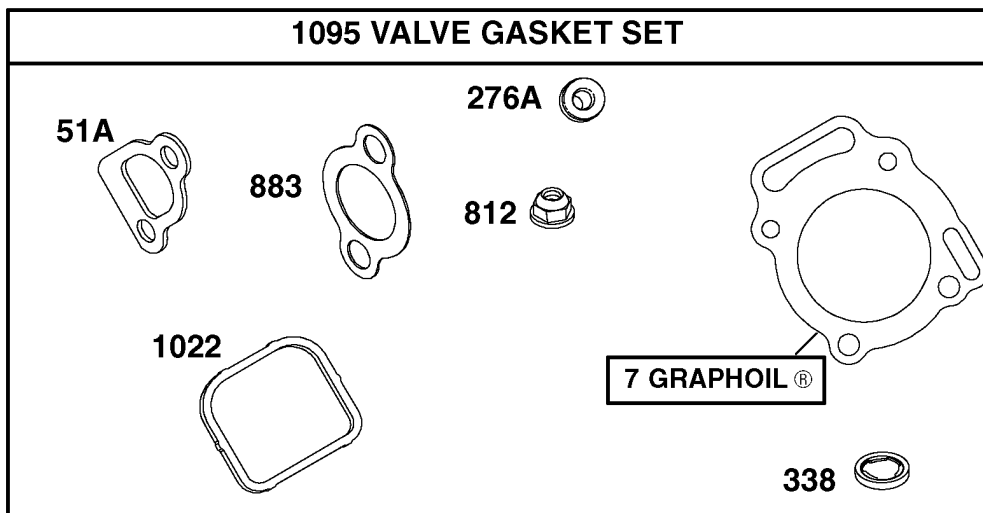
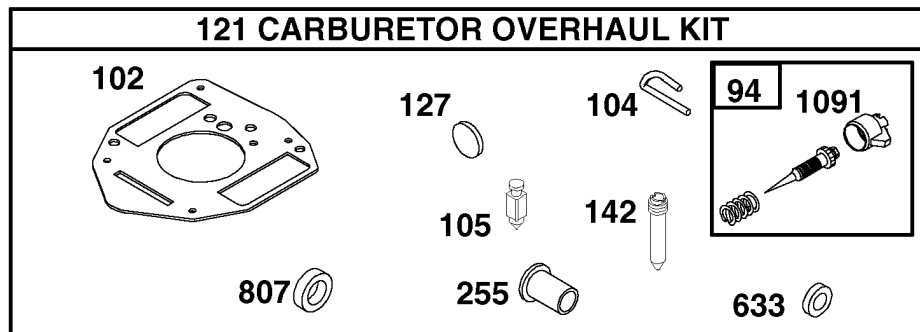
Assemblies include all parts shown in frames.

## Gasket Kit Briggs and Stratton 303447-1180-E1

Ref.	Part Number	Qty.	Description
3	805101	1	Seal-Oil ▲●
7	806085	1	Gasket-Head, Cylinder ▲■●
9	807688	1	Gasket-Breather ▲●
20	805049	1	Seal-Oil ▲●
51	805700	1	Gasket-Intake ▲●
51A	805023	1	Gasket-Intake ▲■●
163	805655	1	Gasket-Carburetor ▲●
273	690681	1	Seal-O Ring ▲●
276A	805420	1	Washer ▲■●
338	271983	1	Seal-Filler Plug ▲■●
358	808390	1	Engine Gasket Set ●
468	690690	1	Seal-O Ring ▲●
524	281370	1	Seal ▲●
691	690680	1	Seal-Shaft, Governor ▲●
842	805386	1	O-Ring ▲●
883	805024	1	Gasket-Exhaust ▲■●
988	805250	1	Gasket-Adapter ▲●
1022	806039	1	Gasket-Cover, Rocker ▲■●

● Obtain parts from [www.briggsandstratton.com](http://www.briggsandstratton.com)  
▲ Included in Engine Gasket Set-Part No. 808390

■ Included in Valve Gasket Set-Part No. 808392



Assemblies include all parts shown in frames.

## Carburetor Overhaul Kit Assembly Briggs and Stratton 303447-1180-E1

Ref.	Part Number	Qty.	Description
7	806085	1	Gasket-Head, Cylinder ■▲●
51A	805023	1	Gasket-Intake ▲■●
94	808257	1	Idle Mixture Kit ◆●
102	805541	1	Gasket-Intake Elbow ◆●
104	690723	1	Pin-Hinge, Float ◆●
105	805547	1	Valve-Needle ◆●
121	808273	1	Carburetor Kit ●
127	690727	1	Plug-Welch ◆●
142	690725	1	Nozzle-Carburetor ◆●
255	690721	1	Bushing-Shaft, Choke ◆●
276A	805420	1	Washer ■▲●
338	691312	1	Seal-O Ring ▲■●
633	690744	1	Grommet ◆●
807	805557	1	Collar-Throttle ◆●
812	805019	1	Nut-Lock ◆●
883	805024	1	Gasket-Exhaust ■▲●
1022	806039	1	Gasket-Cover, Rocker ▲■●
1091	691516	1	Cap-Limiter ◆●
1095	808392	1	Valve Gasket Set ●

● Obtain parts from [www.briggsandstratton.com](http://www.briggsandstratton.com)  
 ▲ Included in Engine Gasket Set-Part No. 808390  
 ◆ Included in Carburetor Overhaul Kit-Part No. 808273.

■ Included in Valve Gasket Set-Part No. 808392

# Attachments and Accessories

## For 08885 Sand Pro 3020

<b>Product Name</b>	<b>Model/Part</b>
Rake-Tooth .....	08812
Rake-Spring.....	08813
Mounting Kit.....	08814
Weeder / Cultivator .....	08815
Front Blade Kit.....	08821
Drag Mat Kit.....	08850
Spiker .....	08856
Cyclone 1000 Debris Blower.....	08857
Debris Blower Installation Kit .....	08858
Chute-Discharge.....	08860
Finish Grader .....	08867
Lever-Pump Kit.....	107-3516
Seat Kit.....	30797
Sand Blade 240 .....	44900
Bar-Draw .....	92-2330
Plate-Adapter, Seat .....	92-7171
Screen-Arrestor, Spark.....	95-5819
CE Update Kit.....	95-5832
2 Speed Valve Kit.....	95-5834



**Count on it.**