



Count on it.

Parts Catalog

Sand Pro® 2020

Model No. 08884—Serial No. 260000301 and Up

Ordering Replacement Parts

To order replacement parts, please supply the part number, the quantity, and the description of each part desired.

Understanding Reference Numbers

Each identified part in an illustration has a reference number. The reference number for a part also appears in the parts list, along with other information about the part.

This catalog uses two special reference number formats, one to indicate parts in a service assembly and another to indicate the quantity of a given part in an illustration.

Service Assembly Reference Numbers

Parts in service assemblies have reference numbers in the form a:b. The a represents the reference number of the entire service assembly and the b represents a sequential number unique to each part within the service assembly.

For example, a wheel assembly might be identified by reference number 6, the tire by 6:1, the valve by 6:2, and the wheel by 6:3. When you order the assembly identified by reference number 6, you receive all parts identified by reference numbers 6:1, 6:2, and 6:3. However, you may also order any part individually. Reference numbers of this type appear in illustration and in parts lists.

Reference Numbers Indicating Quantity

In an illustration, if a reference number indicates more than one part, the reference number has the form nX y. The n represents the quantity of the part, the X is the multiplication symbol, and the y represents the reference number.

For example, in an illustration, the reference number 2X 37 means that two of the parts identified by reference number 37 are indicated.

List of Abbreviations

AR: as required

ASM: assembly

BBC: blade brake control

BHTF: button head thread forming

CARR: carriage

CCW: counter clockwise

CW: clockwise

DEG: degrees

DPA: Dual Point Adjustment

ECM: electronic control module

EXT: external

FH: flat head

GA: gauge

HD: heavy-duty

HF: hex flange

HH: hex head

HHF: hex head flange

HHFTF: hex head flange thread forming

HJ: hex jam

HLH: hex lag head

HOC: height-of-cut

HSBH: hex socket button head

HSFH: hex socket flat head

HSH: hex socket head

HWH: hex washer head

HWTF: hex washer head thread forming

HYD: hydraulic

LH: left hand

LP: Liquid Propane

NI: nylon insert

NPTF: national pipe thread fine

PFH: phillips flat head

PPH: phillips pan head

PPHTF: phillips pan head thread forming

PRH: phillips round head

PTH: phillips truss head

PTO: power-take-off

RH: right hand

ROPS: roll-over protection system

RRB: rear roller brush

SFH: slotted fillister head

SHH: slotted hex head

SHWH: slotted hex washer head

SPH: slotted pan head

SQH: square head

SRH: slotted round head

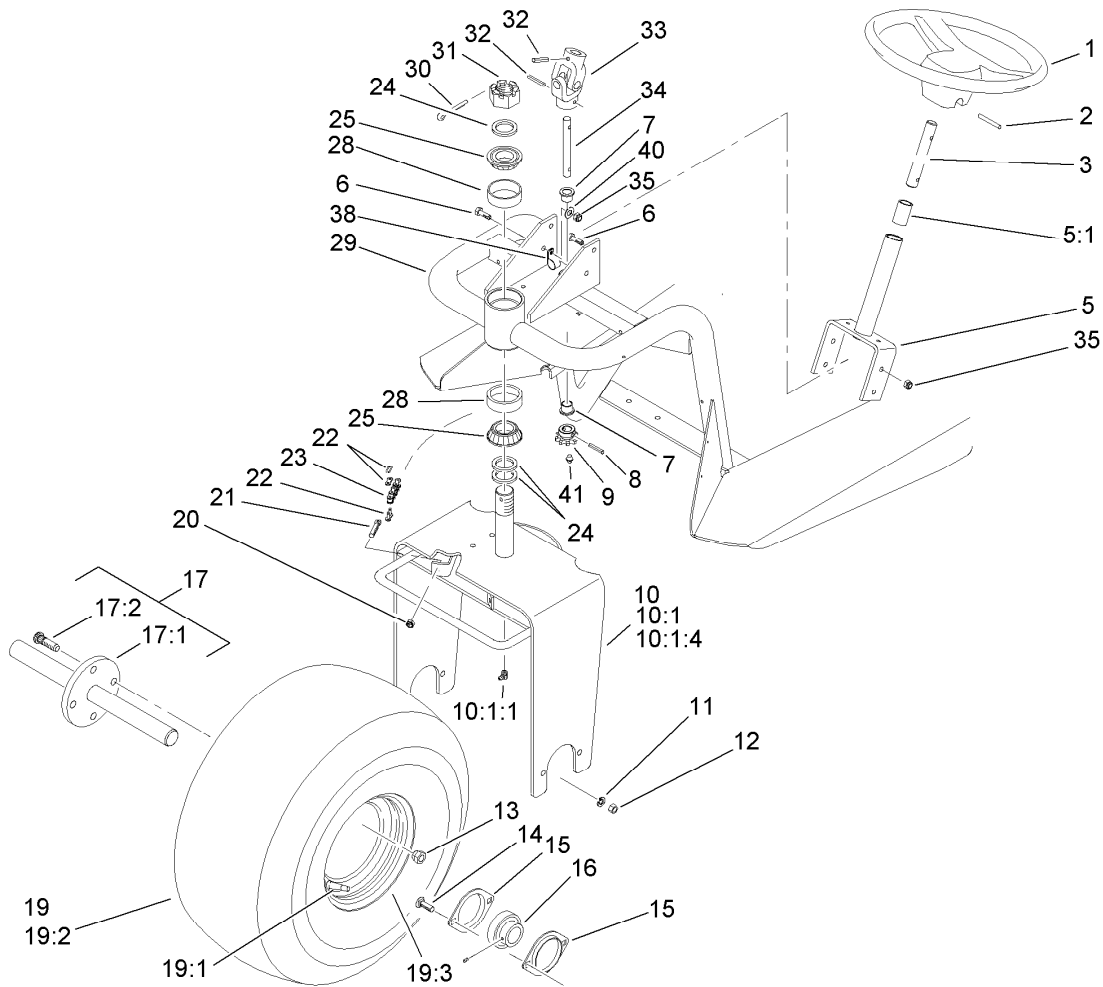
STD: standard

TAP: self tapping

TTH: torx truss head

Contents

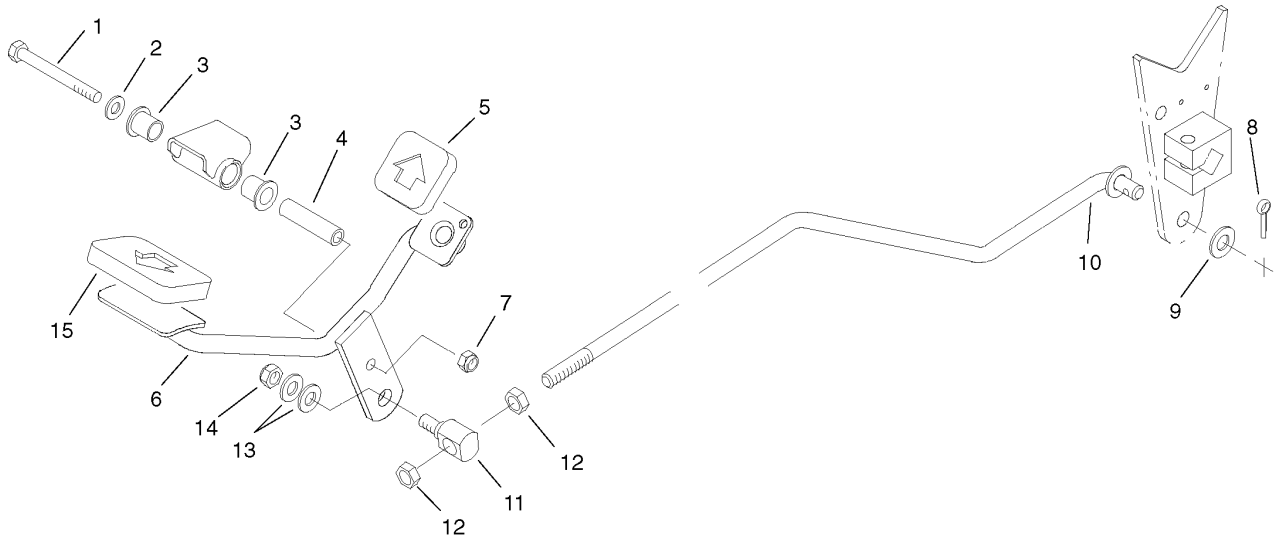
Front Wheel and Steering Assembly	4
Traction Pedal Assembly	5
Pump Control Lever Assembly	6
Hydraulic Pump Installation Assembly	7
Variable Reversible Pump Assembly No. 106-9248	8
Rear Wheel Drive Assembly	10
Hydraulic Cylinder Assembly No. 83-7000	11
Hydraulic Motor Assembly No. 75-9831	12
Hydraulic Motor Assembly No. 75-9840	13
Seat Assembly	14
Fuel Tank Assembly	15
Engine Installation Assembly	16
Dash Panel Assembly	17
Shroud and Oil Cooler Assembly	18
Air Cleaner Assembly No. 95-5805	19
Hydraulic Oil Reservoir and Filter Assembly	20
Lift Valve Installation Assembly	21
Valve Assembly No. 43-1710-01	22
Brake Installation Assembly	23
Brake Assembly No. 104-7705	24
Cylinder Assembly Briggs and Stratton 303447-1180-E1	25
Crankshaft Assembly Briggs and Stratton 303447-1180-E1	26
Crankcase Assembly Briggs and Stratton 303447-1180-E1	27
Carburetor Assembly Briggs and Stratton 303447-1180-E1	28
Air Cleaner Assembly Briggs and Stratton 303447-1180-E1	29
Blower Housing Assembly Briggs and Stratton 303447-1180-E1	30
Governor Assembly Briggs and Stratton 303447-1180-E1	31
Flywheel Assembly Briggs and Stratton 303447-1180-E1	32
Starter Assembly Briggs and Stratton 303447-1180-E1	33
Engine Air Intake Assembly Briggs and Stratton 303447-1180-E1	34
Gasket Kit Briggs and Stratton 303447-1180-E1	35
Carburetor Overhaul Kit Assembly Briggs and Stratton 303447-1180-E1	36
Attachments and Accessories	37



Front Wheel and Steering Assembly

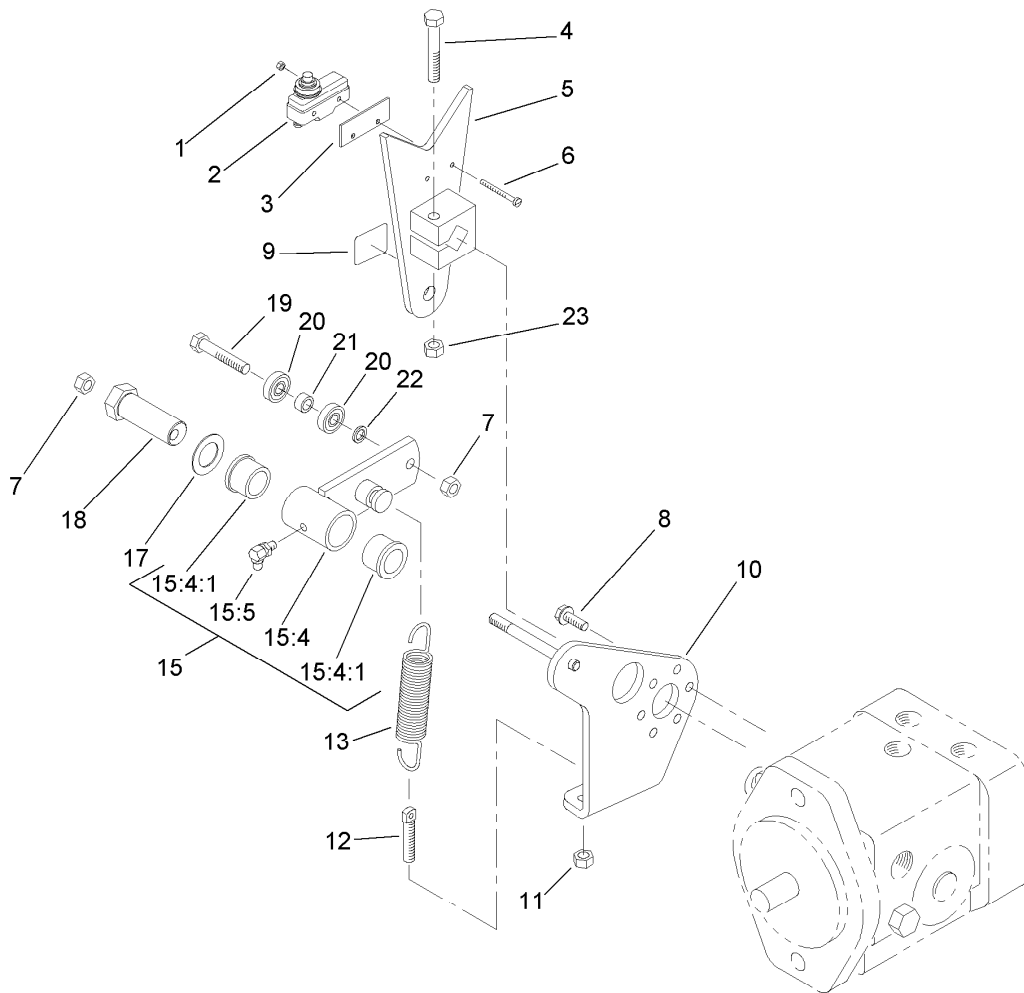
Ref.	Part Number	Qty.	Description	Ref.	Part Number	Qty.	Description
1	76-1420	1	Wheel-Steering	19		1	Wheel And Tire ASM ●
2	32121-111	1	Pin-Roll	19:1	232-35	1	Valve Stem And Cap ASM
3	85-6610	1	Shaft-Steering	19:2	85-8290	1	Tire-2Ply, Knobby
5	92-5035	1	Steering Post ASM	19:3	94-6116	1	Wheel-Rear
5:1	256-185	1	Bushing	20	3296-4	2	Nut-Lock
6	322-5	4	Screw-HH	21	18-6380	2	Pin-Adjustment, Steering
7	65-8770	2	Bushing-Bellcrank	22	2710-11	2	Link-Chain
8	98-0973	1	Pin-Grooved	23	92-5039	1	Chain-Steering
9	85-9180	1	Sprocket-Steering	24	18-6320	3	Washer-Steering
10		1	Fork ASM ●	25	254-70	2	Bearing-Cone
10:1		1	Fork And Fitting ASM ●	28	254-61	2	Cup-Bearing
10:1:1	302-33	1	Fitting-Grease	29	95-0600-01	1	Frame ASM
10:1:4	95-0571-01	1	Fork-Offset	30	3272-37	1	Pin-Cotter ●
11	3253-21	4	Washer-Lock	31	32136-9	1	Nut-Hex, Slotted
12	3217-7	4	Nut-Hex	32	32121-15	2	Pin-Roll
13	242-50	4	Nut-Lug	33	85-9200	1	Knuckle-Steering
14	3231-2	4	Screw-CARR	34	98-0928	1	Shaft-Steering, Lower
15	251-166	4	Bearing-Flange	35	3296-29	4	Nut-Lock, NI
16	251-165	2	Bearing-Ball	38	94-6821	2	Clamp-Wire
17		1	Front Axle ASM ●	40	3256-23	2	Washer-Flat
17:1	84-7940	1	Shaft-Axle	41	302-2	1	Fitting-Grease
17:2	10-6830	4	Stud-Type, Drive				

● Not serviced separately



Traction Pedal Assembly

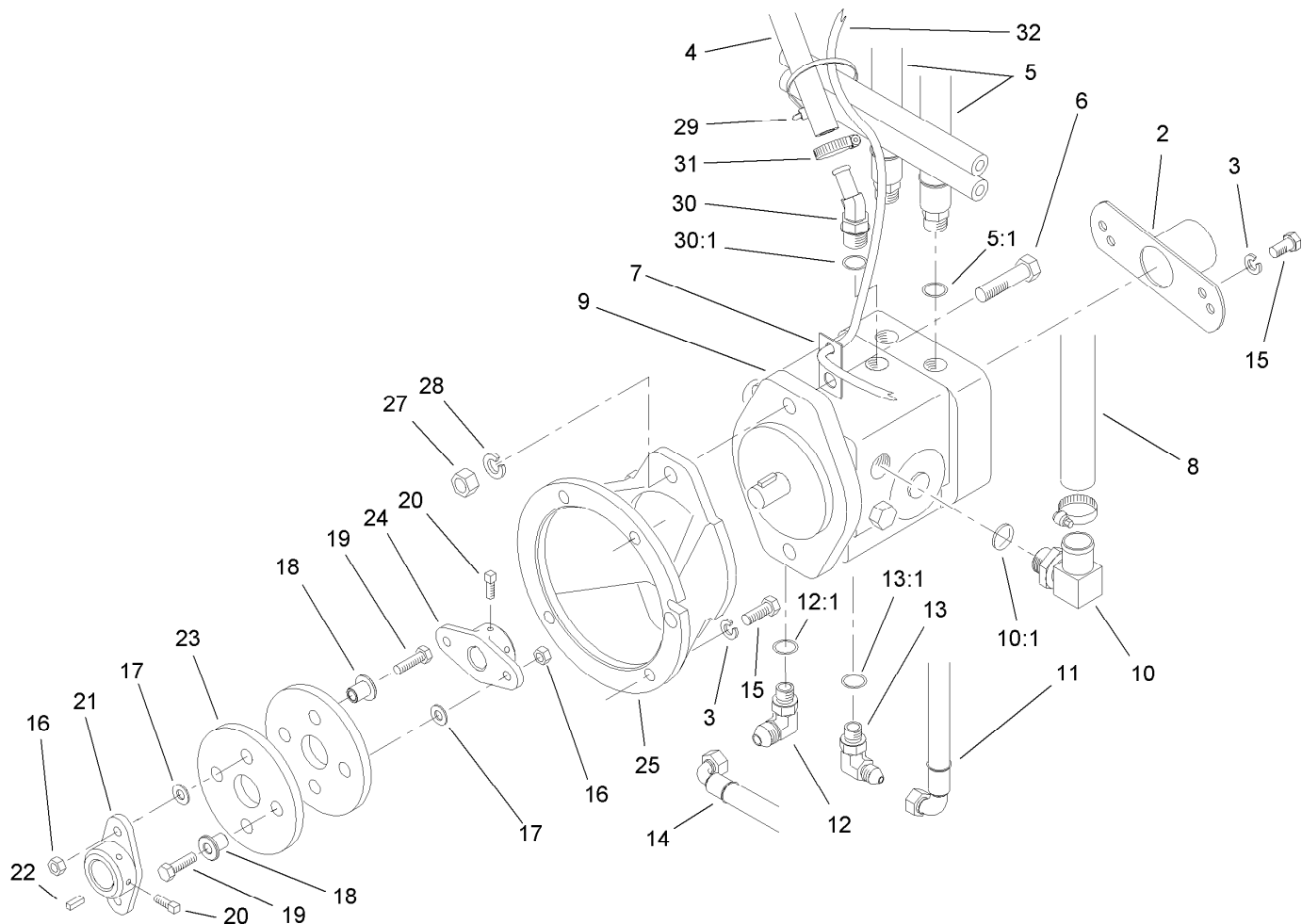
<i>Ref.</i>	<i>Part Number</i>	<i>Qty.</i>	<i>Description</i>
1	322-14	1	Screw-HH
2	3256-23	1	Washer-Flat
3	256-219	2	Bushing
4	85-8960	1	Spacer
5	74-9110	1	Pad-Pedal, Reverse
6	92-2343-01	1	Pedal ASM
7	3296-29	1	Nut-Lock, NI
8	3272-16	1	Pin-Cotter
9	3256-25	1	Washer-Flat
10	95-0584	1	Rod-Control
11	92-2344	1	Trunnion
12	3218-5	2	Nut-Jam
13	3256-24	2	Washer-Flat
14	3296-39	1	Nut-Lock, NI
15	74-9100	1	Pad-Pedal, Forward



Pump Control Lever Assembly

Ref.	Part Number	Qty.	Description
1	3296-9	2	Nut-Lock
2	29-6163	1	Switch-Micro
3	85-9150	1	Plate-Switch
4	323-11	1	Screw-HH
5	85-8300-03	1	Pump Lever ASM
6	32105-21	2	Screw-HH
7	3296-29	2	Nut-Lock, NI
8	49-2040	3	Screw-HWHTF
9	93-9051	1	Decal-Bolt, Eccentric
10	95-0553-03	1	Plate-Pump
11	3296-4	1	Nut-Lock
12	18-6380	1	Pin-Adjustment, Steering
13	85-9030	1	Spring-Extension
15	85-8460	1	Switch Arm ASM
15:4		1	Arm-Switch ●
15:4:1	256-113	2	Bushing-Flange
15:5	302-60	1	Fitting-Grease
17	3-6498	1	Washer-Thrust
18	76-8640	1	Stud-Traction
19	322-8	1	Screw-HH
20	251-307	2	Bearing-Ball
21	85-9120	1	Spacer-Pivot, Tilt
22	75-5470	1	Spacer-Bearing
23	3296-39	1	Nut-Lock, NI

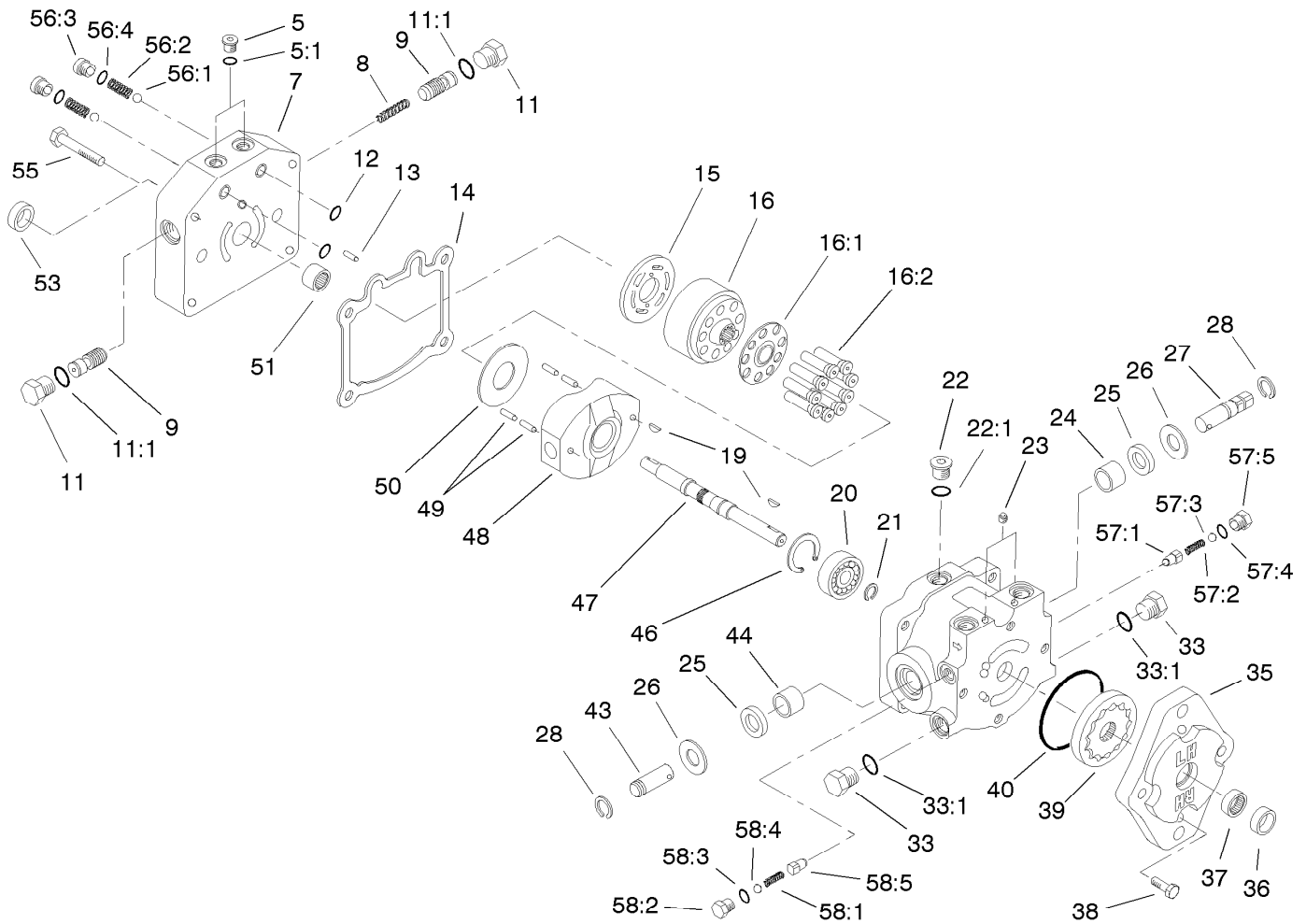
● Not serviced separately



Hydraulic Pump Installation Assembly

Ref.	Part Number	Qty.	Description
2	95-0632-03	1	Cover ASM
3	3253-5	6	Washer-Lock
4	98-8153	1	Hose-Return
5	95-0595	2	Hose-HYD
5:1	237-79	1	O-Ring
6	325-7	2	Screw-HH
7	26-2950	1	Wire-Standoff
8	95-0555	1	Hose-Suction
9	106-9248	1	Pump-Reversible, Variable
10	87-8170	1	Fitting
10:1	237-80	1	O-Ring
11	95-0592	1	Hose ASM
12	353-511	1	Fitting-HYD, 90 DEG
12:1	237-42	1	O-Ring
13	353-374	1	Elbow-90 DEG
13:1	237-42	1	O-Ring
14	95-0591	1	Hose-HYD
15	323-6	6	Screw-HH

Ref.	Part Number	Qty.	Description
16	3296-29	4	Nut-Lock, NI
17	3256-23	4	Washer-Flat
18	71-4411	4	Spacer
19	322-7	4	Screw-HH
20	3241-5	4	Screw-Set
21	27-1960	1	Hub-Engine
22	13-2840	1	Key-Square
23	80-8650	2	Coupling-Drive
24	49-9600	1	Hub-Pump
25	95-0631-03	1	Mount-Pump
27	3217-9	2	Nut-HH
28	3253-7	2	Washer-Lock
29	3290-378	1	Tie-Cable
30	354-126	1	Fitting-HYD, 45 DEG
30:1	237-79	1	O-Ring
31	2412-36	1	Clamp-Hose
32	95-0574	1	Harness-Wire

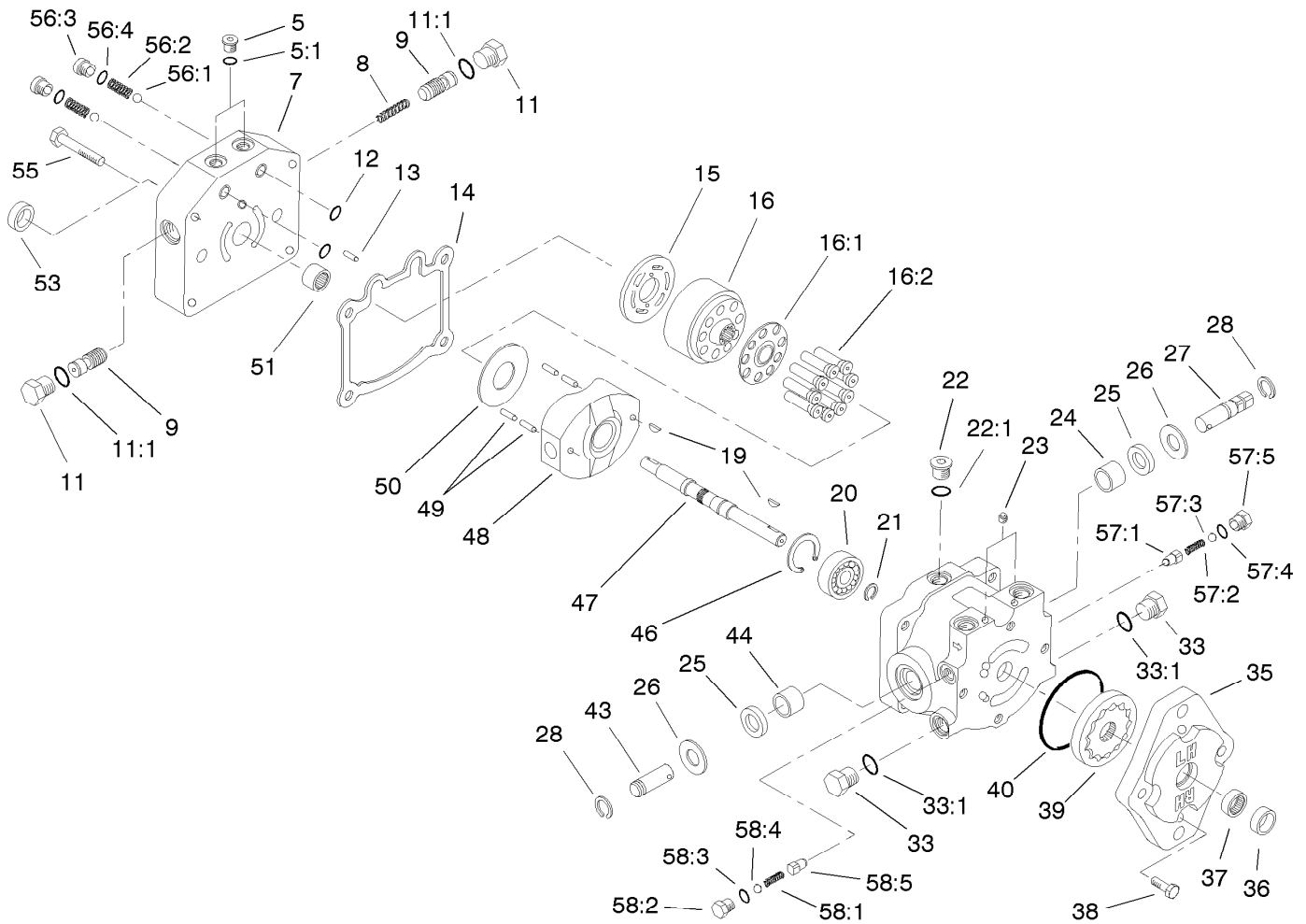


Variable Reversible Pump Assembly No. 106-9248

Ref.	Part Number	Qty.	Description	Ref.	Part Number	Qty.	Description
5	92-8776	2	Plug-HSH	28	32151-46	2	Ring-Retaining
5:1	92-8777	1	O-Ring	33	88-8210	2	Plug
7	112-7656	1	Cap-End	33:1	237-80	1	O-Ring
8	25-2610	1	Spring-Valve	35	25-2690	1	Housing-Pump, Charge
9	95-5814	2	Valve-Acceleration	36	67-8060	1	Seal-Lip
11	28-3440	1	Plug-Threaded	37	67-8050	1	Bearing-Needle
11:1	75-0240	1	O-Ring	38	322-4	4	Screw-HH
12	112-7652	2	O-Ring	39	95-5812	1	Gerotor ASM
13	25-2430	1	Pin-Dowel	40	237-95	1	O-Ring
14	25-2400	1	Gasket	43	25-2500	1	Shaft-Trunnion
15	95-5811	1	Plate-Valve	44	252-82	1	Bearing-Needle
16	48-1800	1	Cylinder Block Kit	46	32151-75	1	Ring-Retaining
16:1		1	Retainer-Slipper ■	47	95-5810	1	Shaft
16:2		9	Piston ASM ■	48	25-2450	1	Plate-Swash, Variable
19	3257-32	2	Key-Woodruff	49	32121-91	4	Pin-Spring
20	95-5809	1	Bearing-Ball	50	25-2380	1	Plate-Thrust
21	94-3996	1	Ring-Retaining	51	46-8400	1	Bearing-Shaft
22	353-988	1	Plug-Hex	53	88-8230	1	Seal-Lip
22:1	237-79	1	O-Ring	55	323-45	4	Screw-HH
23	285-17	2	Plug-Pipe	56	99-5689	1	Check Valve Kit ●
24	88-8190	1	Bearing-Journal	56:1	25-2490	1	Ball
25	25-3210	2	Seal-Lip	56:2	25-2640	1	Spring-Valve
26	25-2510	2	Washer-Flat	56:3	25-2650	1	Plug-Valve, Check
27	88-8180	1	Shaft-Trunnion	56:4	237-86	1	O-Ring

● Not illustrated

■ Not serviced separately

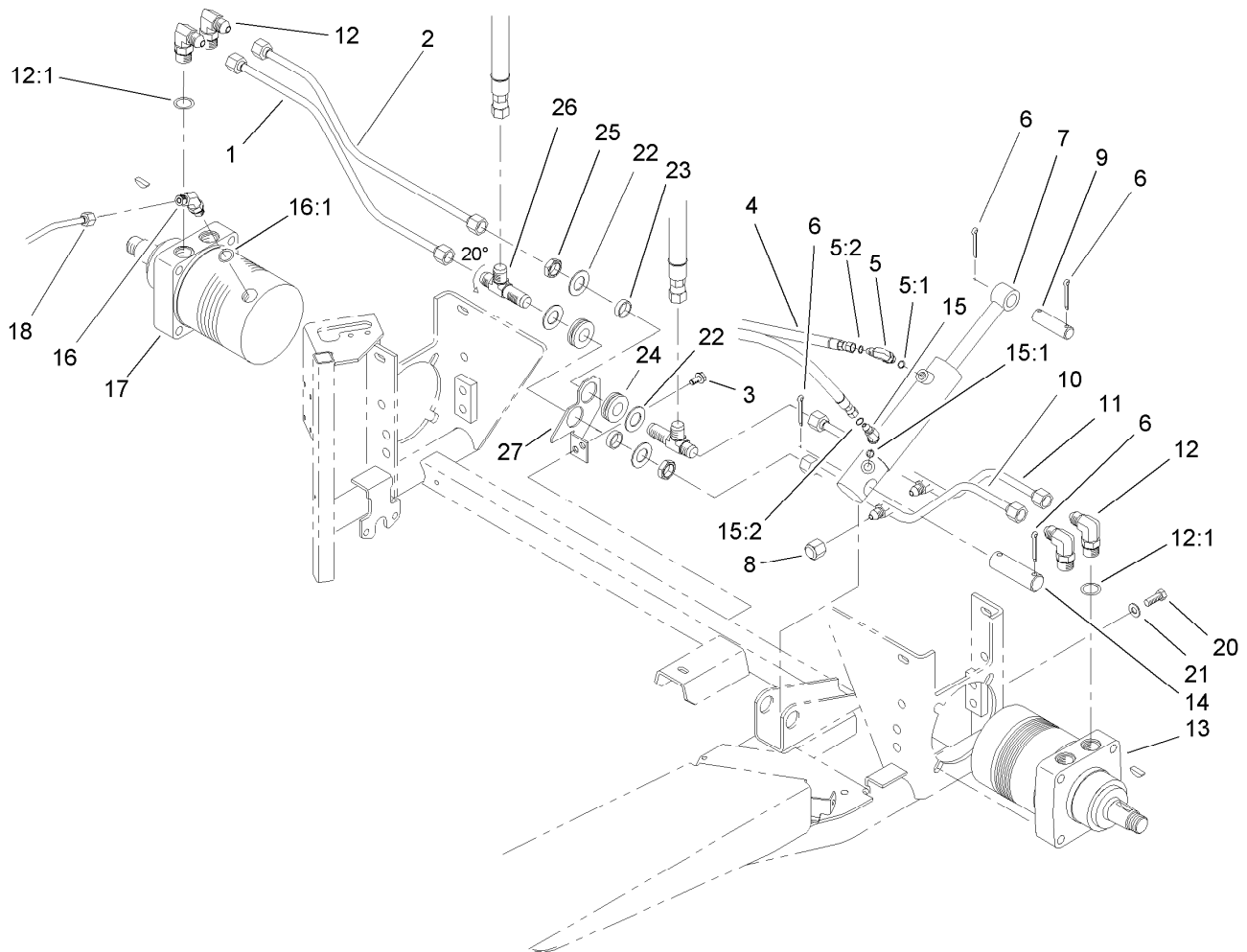


Variable Reversible Pump Assembly No. 106-9248 (continued)

<i>Ref.</i>	<i>Part Number</i>	<i>Qty.</i>	<i>Description</i>	<i>Ref.</i>	<i>Part Number</i>	<i>Qty.</i>	<i>Description</i>
57	49-8520	1	Implement Relief Kit ●	58	49-8510	1	Valve Kit ●
57:1	83-7260	1	Cone-Relief, Charge	58:1	25-2480	1	Spring-Valve
57:2	25-2570	1	Spring-Valve	58:2	25-2460	1	Plug-HH
57:3	25-2470	1	Pack-Shim	58:3	237-86	1	O-Ring
57:4	237-86	1	O-Ring	58:4	25-2470	1	Pack-Shim
57:5	25-2460	1	Plug-HH	58:5	83-7260	1	Cone-Relief, Charge

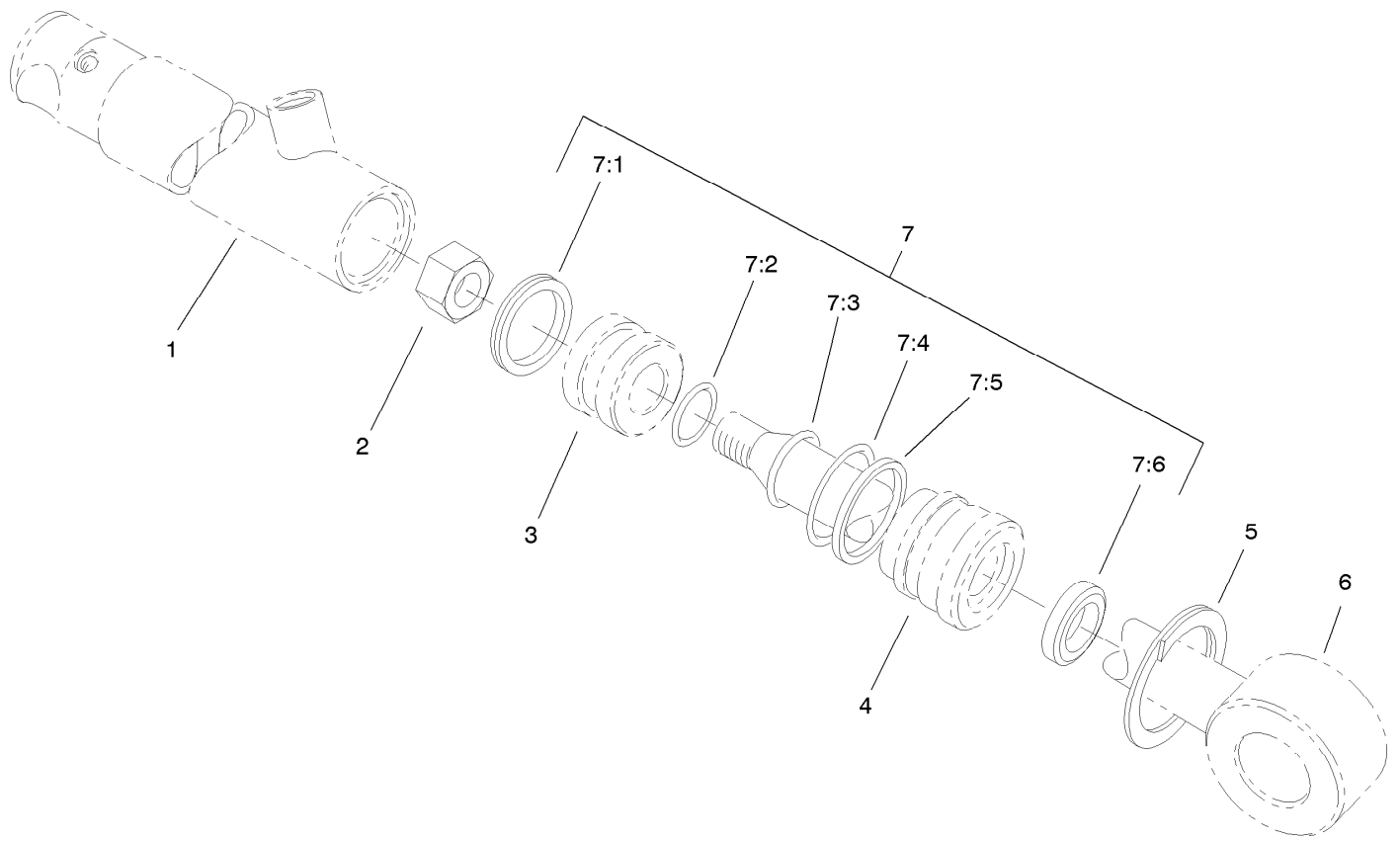
● Not illustrated

■ Not serviced separately



Rear Wheel Drive Assembly

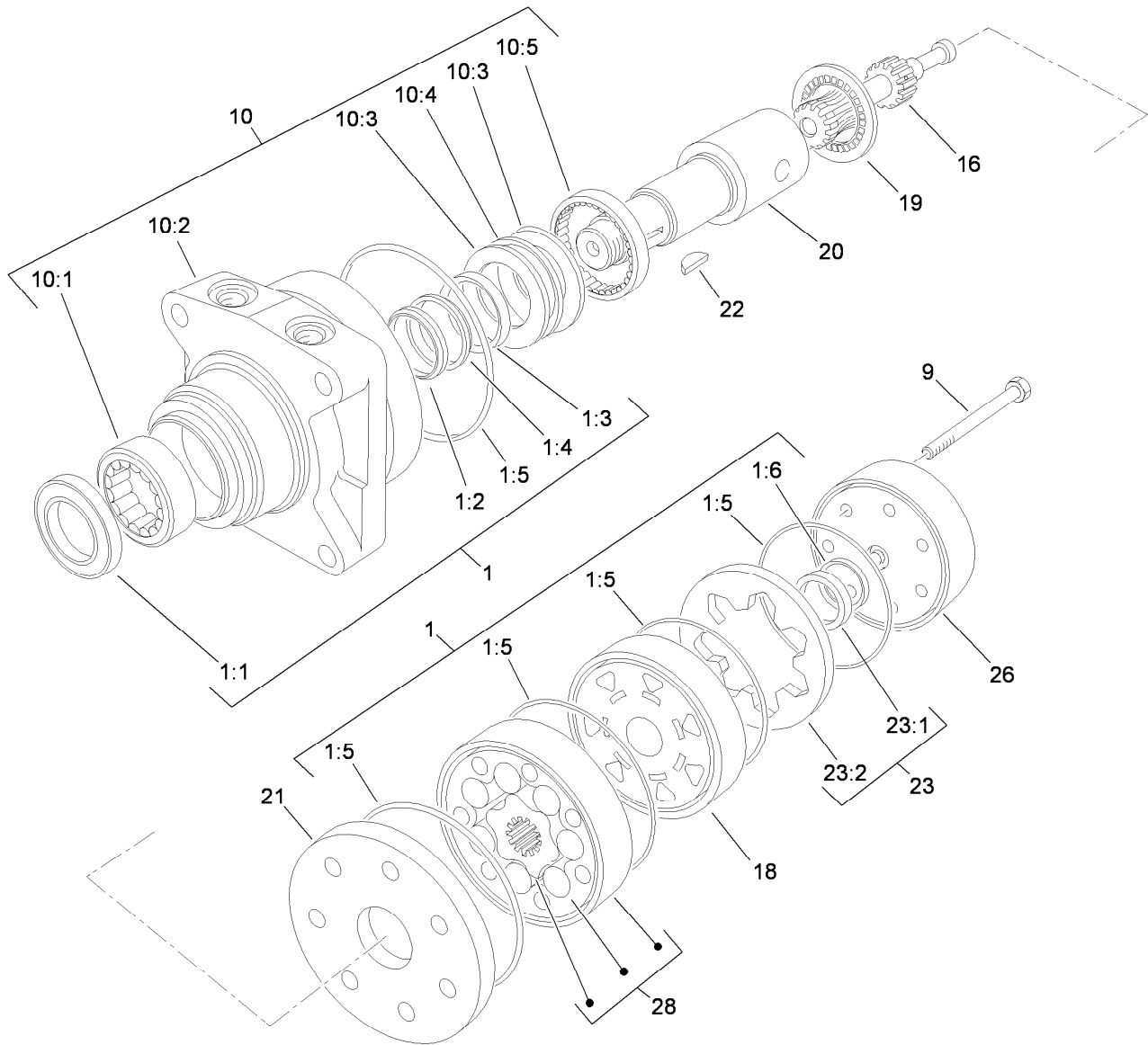
<i>Ref.</i>	<i>Part Number</i>	<i>Qty.</i>	<i>Description</i>	<i>Ref.</i>	<i>Part Number</i>	<i>Qty.</i>	<i>Description</i>
1	95-0564	1	Tube-RH, Front	14	18-7160	1	Pin-Cylinder
2	95-0559	1	Tube-RH, Rear	15	340-103	1	Fitting-HYD, 45 DEG
3	32144-14	2	Screw-HWHTF	15:1	237-78	1	O-Ring
4	75-6200	2	Hose	15:2	237-21	1	O-Ring
5	340-132	1	Fitting-HYD, 90 DEG	16	353-212	1	Fitting-HYD, 45 DEG
5:1	237-78	1	O-Ring	16:1	237-42	1	O-Ring
5:2	237-21	1	O-Ring	17	75-9840	1	HYD Motor ASM
6	3272-23	4	Pin-Cotter	18	95-0575	1	Tube-Valve, Shuttle
7	83-7000	1	HYD Cylinder ASM	20	325-5	4	Screw-HH
8	95-0594	2	Fitting-Cap	21	3256-26	4	Washer-Flat
9	18-7310	1	Pin-Cylinder	22	69-8930	4	Washer
10	95-0560	1	Tube-LH, Front	23	69-8960	2	Spacer
11	95-0567	1	Tube-LH, Rear	24	240-5	2	Grommet-Rubber
12	353-426	4	Fitting-90 DEG	25	95-0642	2	Locknut-Bulkhead
12:1	237-80	1	O-Ring	26	95-0577	2	Fitting-Bulkhead
13	75-9831	1	HYD Motor ASM	27	95-0568-01	1	Bracket-Bulkhead



Hydraulic Cylinder Assembly No. 83-7000

<i>Ref.</i>	<i>Part Number</i>	<i>Qty.</i>	<i>Description</i>
1		1	Barrel ASM ●
2	32152-10	1	Locknut
3		1	Piston ●
4		1	Head ●
5	43-5220	1	Ring-Retaining
6		1	Shaft W/Clevis ●
7	86-5360	1	Seal Repair Kit
7:1		1	Uniring-Grooved ●
7:2		1	O-Ring ●
7:3		1	O-Ring ●
7:4		1	O-Ring ●
7:5		1	Back-Up ●
7:6		1	Seal-Dust ●

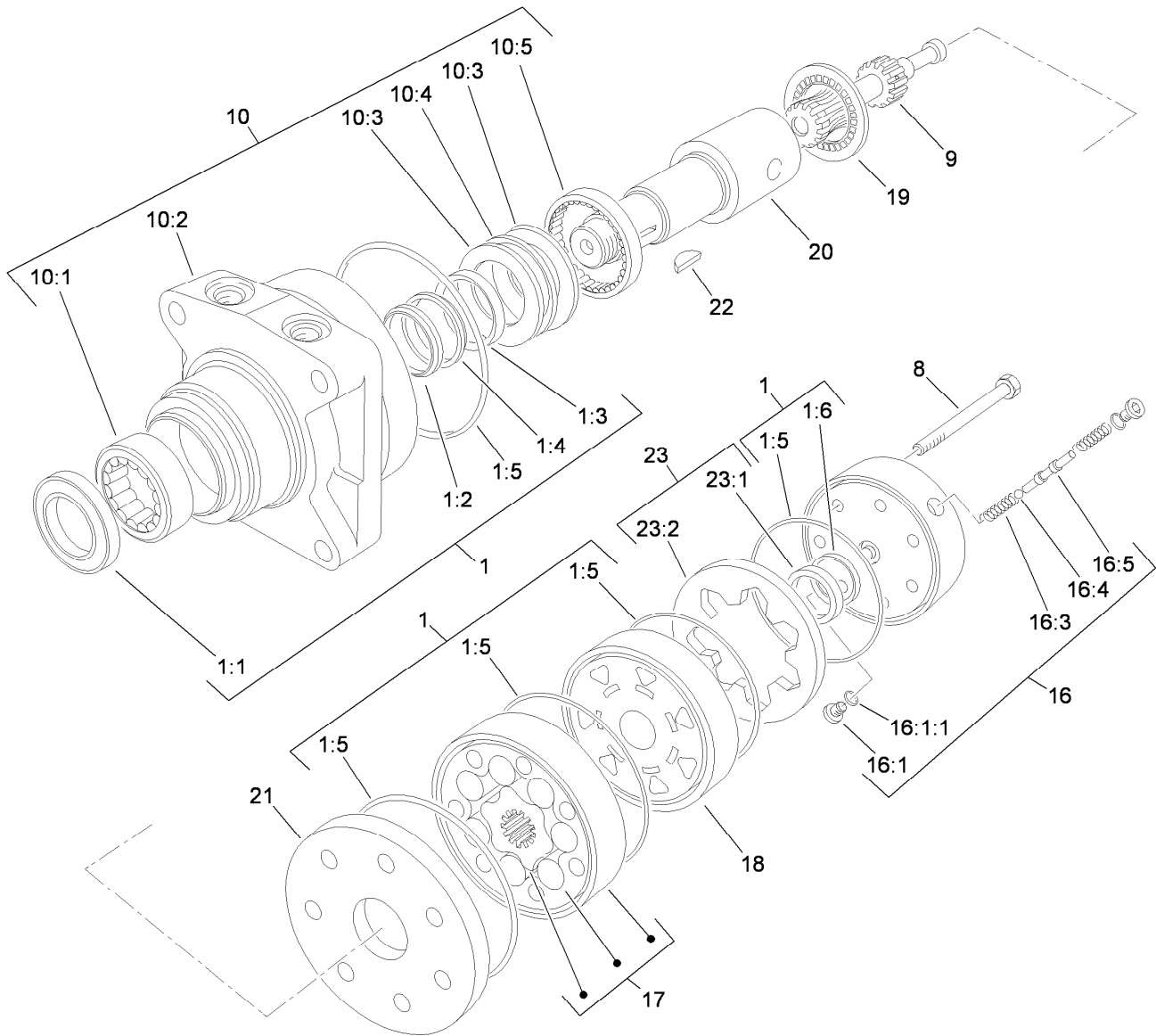
● Not serviced separately



Hydraulic Motor Assembly No. 75-9831

Ref.	Part Number	Qty.	Description	Ref.	Part Number	Qty.	Description
1	94-8178	1	Seal Kit	10:5		1	Bearing ●
1:1		1	Seal-Dirt And Water ●	16	76-0820	1	Line-Drive
1:2		1	Backup-Ring ●	18	76-0840	1	Manifold
1:3		1	Seal-Shaft ●	19	76-0850	1	Bearing-Thrust
1:4		1	Washer-Backup ●	20	76-0860	1	Shaft-Coupling
1:5		5	Seal-Square, Ring (Inner) ●	21	76-0870	1	Plate-Wear
1:6		1	Seal-Commutator ●	22	3257-42	1	Key-Woodruff
9	76-1020	7	Screw-Cap, HH	23	76-0880	1	Commutator ASM
10	76-0810	1	Housing ASM	23:1		1	Commutator ●
10:1		1	Bearing ●	23:2		1	Ring-Commutator ●
10:2		1	Housing ●	26	76-0940	1	End Cover ASM
10:3		2	Washer-Thrust ●	28	76-0830	1	Rotor Set
10:4		1	Bearing-Thrust ●				

● Not serviced separately

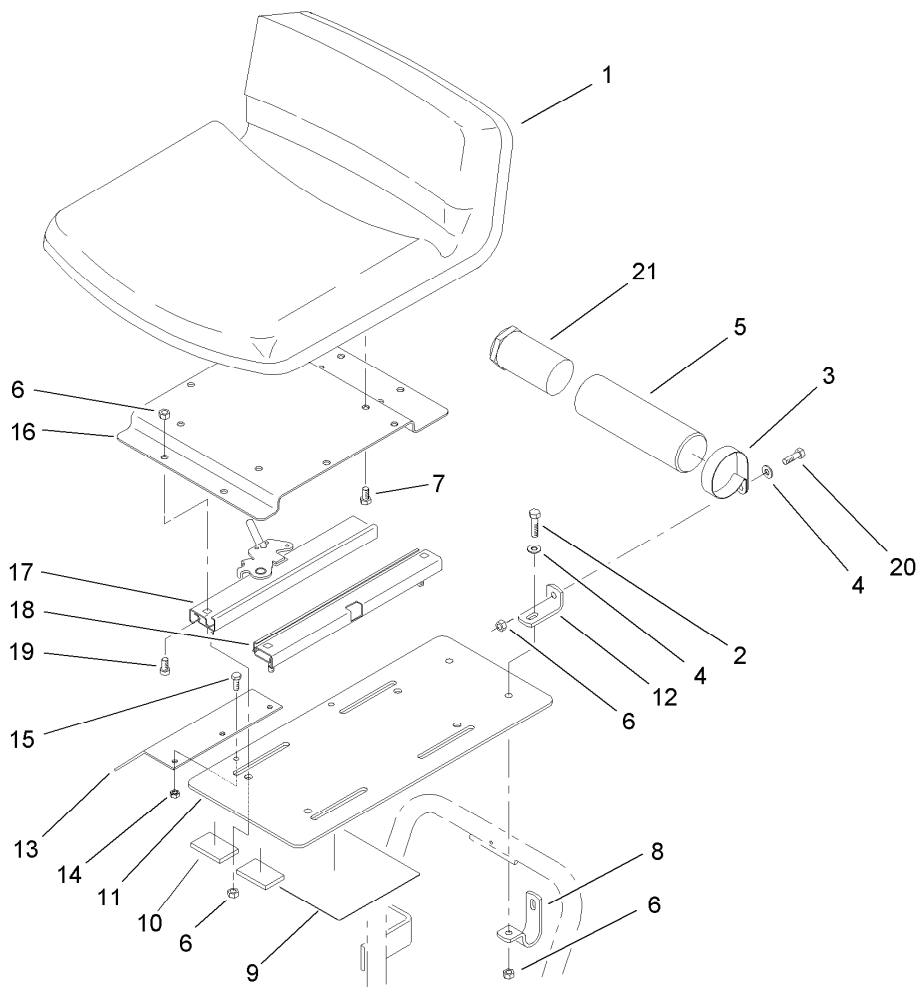


Hydraulic Motor Assembly No. 75-9840

Ref.	Part Number	Qty.	Description
1	94-8178	1	Seal Kit
1:1		1	Seal-Dirt And Water ●
1:2		1	Backup-Ring ●
1:3		1	Seal-Shaft ●
1:4		1	Washer-Backup ●
1:5		5	Seal-Square, Ring (Inner) ●
1:6		1	Seal-Commutator ●
8	76-1040	7	Screw-Cap, HH
9	76-0820	1	Line-Drive
10	76-0810	1	Housing ASM
10:1		1	Bearing ●
10:2		1	Housing ●
10:3		2	Washer-Thrust ●
10:4		1	Bearing-Thrust ●
10:5		1	Bearing ●

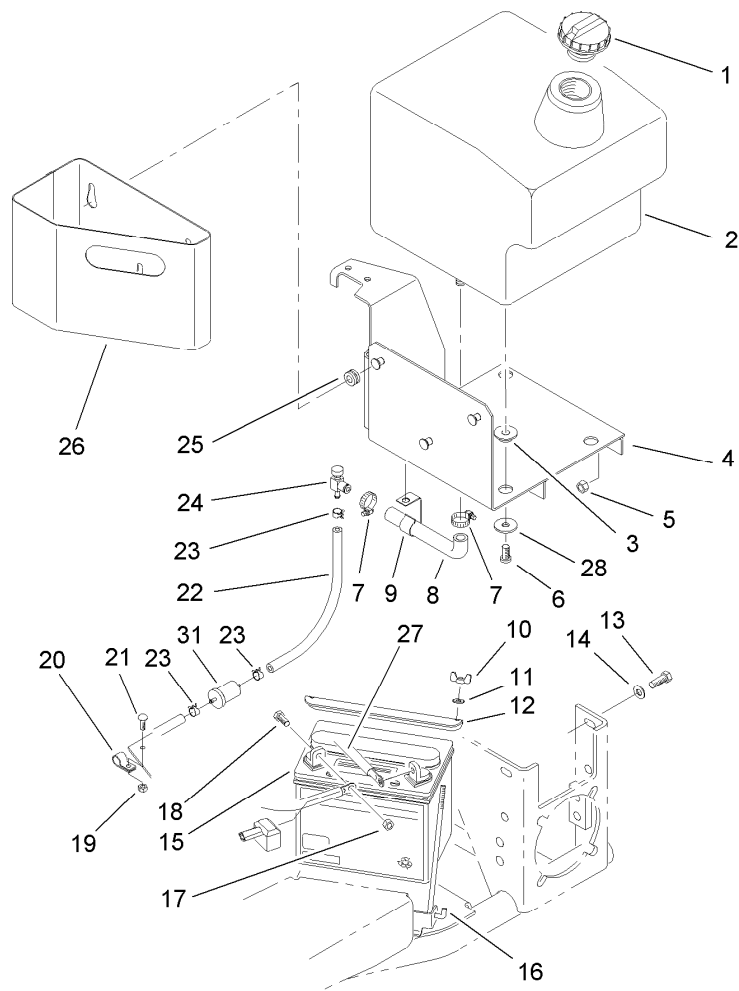
Ref.	Part Number	Qty.	Description
16	76-0890	1	End Cover ASM
16:1	353-990	2	Plug
16:1:1	237-78	1	O-Ring
16:3		2	Spring ●
16:4		1	Ball ●
16:5		1	Valve-Shuttle ●
17	76-0830	1	Rotor Set
18	76-0840	1	Manifold
19	76-0850	1	Bearing-Thrust
20	76-0860	1	Shaft-Coupling
21	76-0870	1	Plate-Wear
22	3257-42	1	Key-Woodruff
23	76-0880	1	Commutator ASM
23:1		1	Commutator ●
23:2		1	Ring-Commutator ●

● Not serviced separately



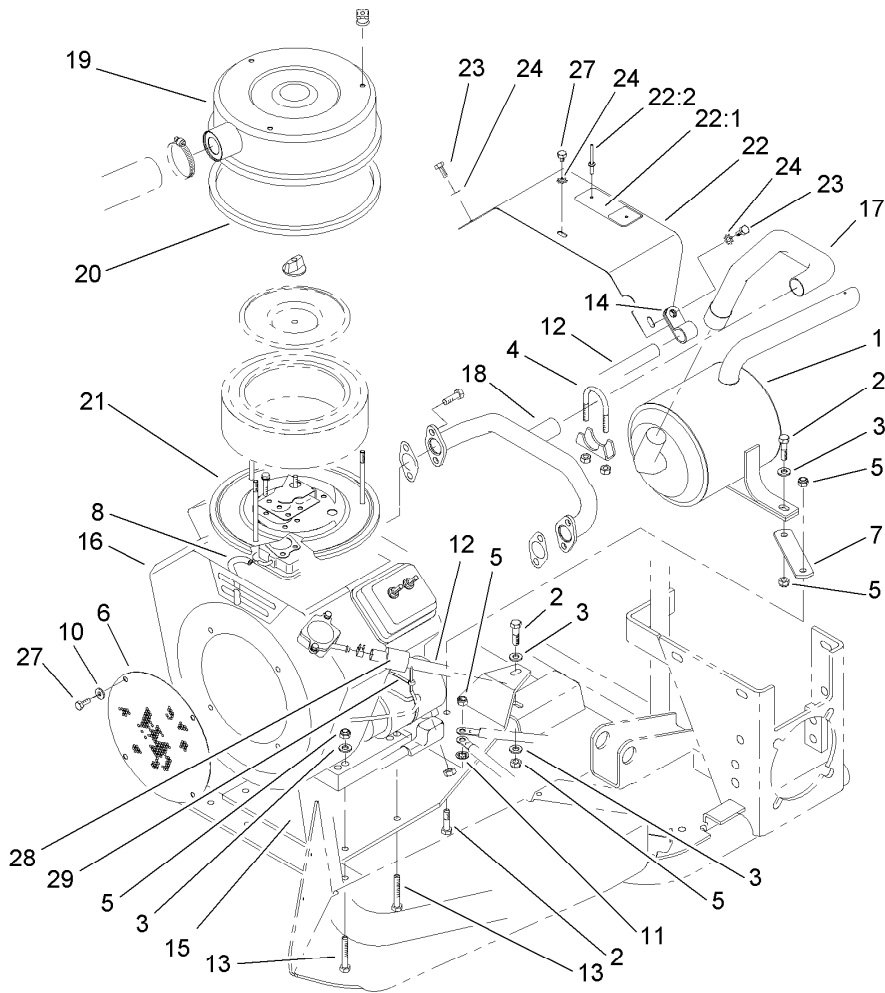
Seat Assembly

<i>Ref.</i>	<i>Part Number</i>	<i>Qty.</i>	<i>Description</i>
1	92-8976	1	Seat
2	322-6	2	Screw-HH
3	2412-133	2	R-Clamp
4	3256-3	4	Washer-Flat
5	104-7050	1	Tube-Manual
6	3296-29	12	Nut-Lock, NI
7	3234-14	4	Screw-HHF
8	92-8972	2	Clamp-Seat
9	95-0646	1	Decal-Service
9	93-7251	1	Decal-Blank
10	74-0340	2	Cushion-Rubber
11	95-0637-03	1	Plate-Seat
12	92-8973	2	Angle
13	95-5840-03	1	Shield-Base, Seat
14	3296-42	2	Nut-Lock, NI
15	321-4	2	Screw-HH
16	86-7610-03	1	Mount-Seat
17	51-0790	1	Adjuster-Seat, LH
18	51-0780	1	Slider-Seat
19	3274-12	4	Screw-HSH
20	322-5	2	Screw-HH
21	104-7048	1	Cap-Housing



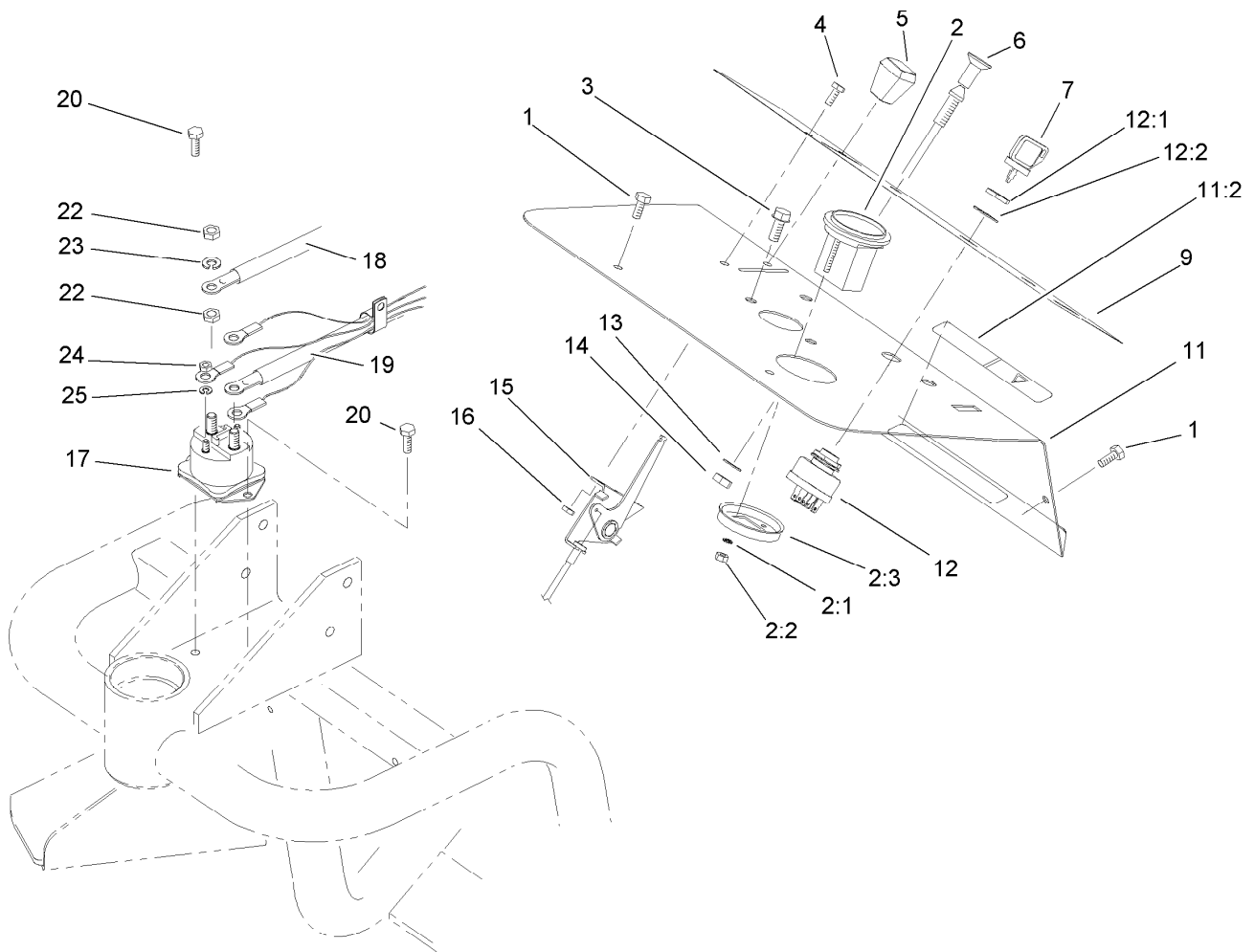
Fuel Tank Assembly

<i>Ref.</i>	<i>Part Number</i>	<i>Qty.</i>	<i>Description</i>	<i>Ref.</i>	<i>Part Number</i>	<i>Qty.</i>	<i>Description</i>
1	93-7170	1	Cap-Fuel	16	56-7720	2	Post-Battery
2	92-7186	1	Tank-Fuel	17	3296-29	2	Nut-Lock, NI
3	240-11	4	Bushing-Flange	18	322-3	2	Screw-HH
4	95-0576-03	1	Base-Tank, Fuel	19	3296-42	1	Nut-Lock, NI
5	3296-39	3	Nut-Lock, NI	20	2412-73	1	Clamp-R
6	3250-36	4	Screw-PPH	21	3274-69	1	Screw-HSBH
7	2412-36	2	Clamp-Hose	22	109-0294	1	Hose-Fuel
8	110-8151	1	Hose-Fuel, Formed	23	2412-98	4	Clamp
9	92-7160	1	Clip	24	83-1390	1	Valve-Shut-Off, Fuel
10	32103-12	2	Nut-Wing	25	240-9	3	Grommet
11	3256-22	2	Washer-Flat	26	86-7640-01	1	Box-Litter
12	92-5018-03	1	Clamp-Battery	27	86-7450	1	Cable-Ground
13	323-6	3	Screw-HH	28	63-8410	4	Washer
14	3256-24	3	Washer-Flat	31	94-2690	1	Filter-Fuel
15	104-8162	1	Battery				



Engine Installation Assembly

<i>Ref.</i>	<i>Part Number</i>	<i>Qty.</i>	<i>Description</i>	<i>Ref.</i>	<i>Part Number</i>	<i>Qty.</i>	<i>Description</i>
1	95-0552	1	Muffler	17	95-0551	1	Tube-Exhaust
2	322-5	3	Screw-HH	18	95-0550	1	Manifold-Exhaust
3	3256-23	6	Washer-Flat	19	85-8370-03	1	Air Cleaner Cover ASM
4	95-0586	2	Clamp ASM	20	85-8360	1	Gasket-Ring
5	3296-29	7	Nut-Lock, NI	21	85-8430-03	1	Base-Cleaner, Air
6	92-8996-03	1	Screen	22	105-8523	1	Muffler Shield ASM
7	95-0557	1	Bracket-Muffler	22:1	95-0645	1	Plate-Surface, Hot
8	75-4705	1	Hose-Fuel	22:2	3269-32	2	Rivet-Pop
10	3256-1	4	Washer-Flat	23	33113-012	2	Screw-HH
11	3255-8	1	Washer-Lock	24	3255-7	3	Washer-Lock/EXT
12	109-0302	1	Hose-Fuel	27	33113-008	5	Screw-HH
13	322-10	4	Screw-HH	28	38-3400	1	Guard-Rubber
14	2412-73	1	Clamp-R	29	3290-379	1	Tie-Cable
15	95-0556-03	1	Base-Engine				
16	98-0940	1	Engine-B & S, 303447-1180-E1				

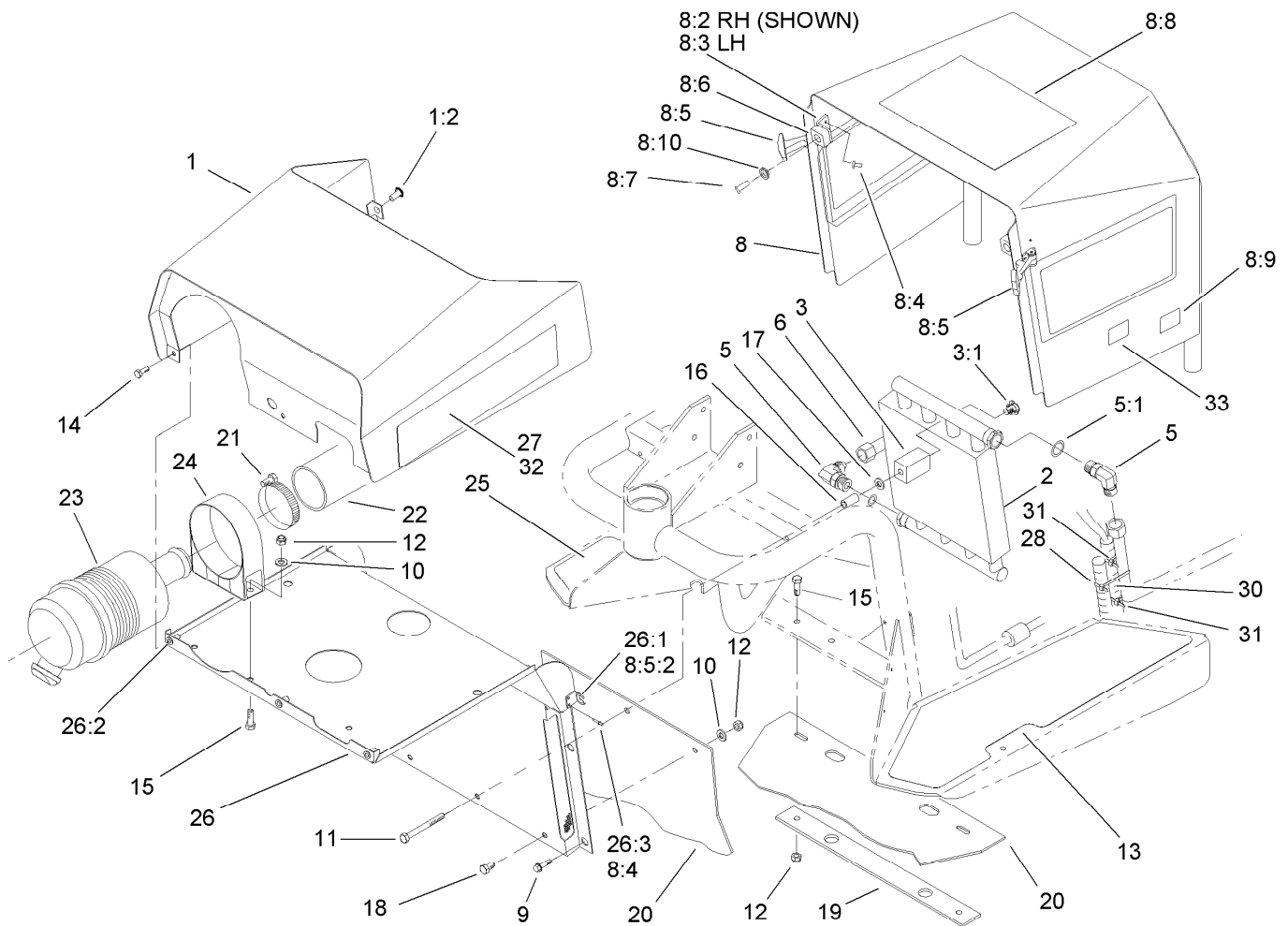


Dash Panel Assembly

<i>Ref.</i>	<i>Part Number</i>	<i>Qty.</i>	<i>Description</i>	<i>Ref.</i>	<i>Part Number</i>	<i>Qty.</i>	<i>Description</i>
1	3234-33	4	Screw-HHF	12:2	3254-5	1	Washer-Tooth, Internal
2	66-2950	1	Gauge-Hourmeter	13	3254-6	1	Washer-Lock, Internal
2:1	3255-20	2	Washer-Lock	14	3219-3	1	Nut-Hex
2:2	3217-25	2	Nut-Hex	15	95-0598	1	Control-Throttle
2:3		1	Clamp-Gauge ■	16	3296-12	2	Nut-Lock, NI
3	32144-11	2	Screw-HWHTF	17	28-4210	1	Solenoid
4	32105-2	2	Screw-SHWH	18	95-5825	1	Wire ASM
5	66-0120	1	Knob	18:1	83-2430	1	Boot-Terminal ●
6	95-0597	1	Control-Choke	19	95-0599	1	Wire ASM
7	63-8360	2	Key-Ignition	19:1	28-8080	1	Boot-Terminal ●
9	95-0648	1	Decal	20	32104-95	2	Screw-HWH
11	105-8524	1	Dash Panel ASM	22	3218-13	2	Nut-Jam, Brass
11:2	93-9052	1	Decal-Danger	23	3253-4	2	Washer-Lock
12	83-0020	1	Switch-Ignition	24	3219-14	2	Nut-Hex
12:1	218-461	1	Nut-HH	25	3253-17	2	Washer-Lock

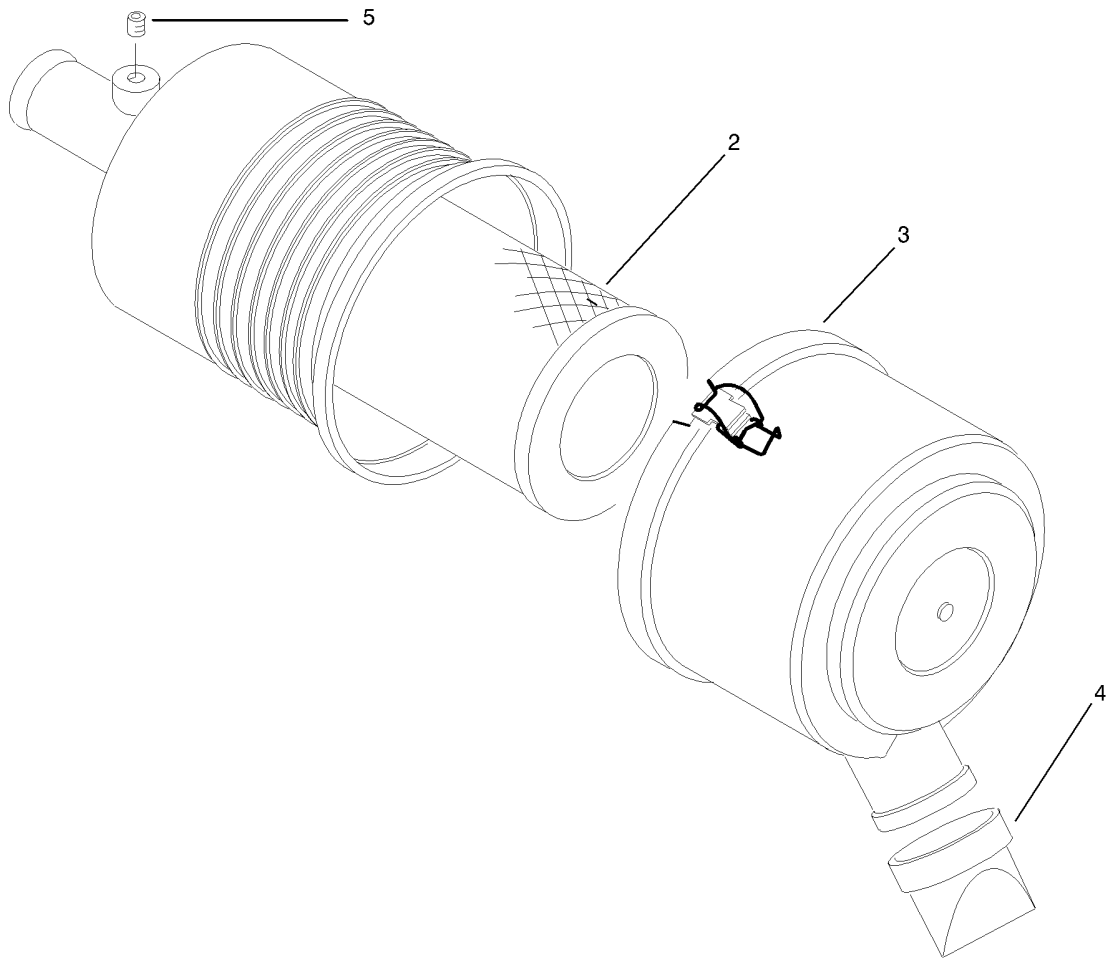
● Not illustrated

■ Not serviced separately



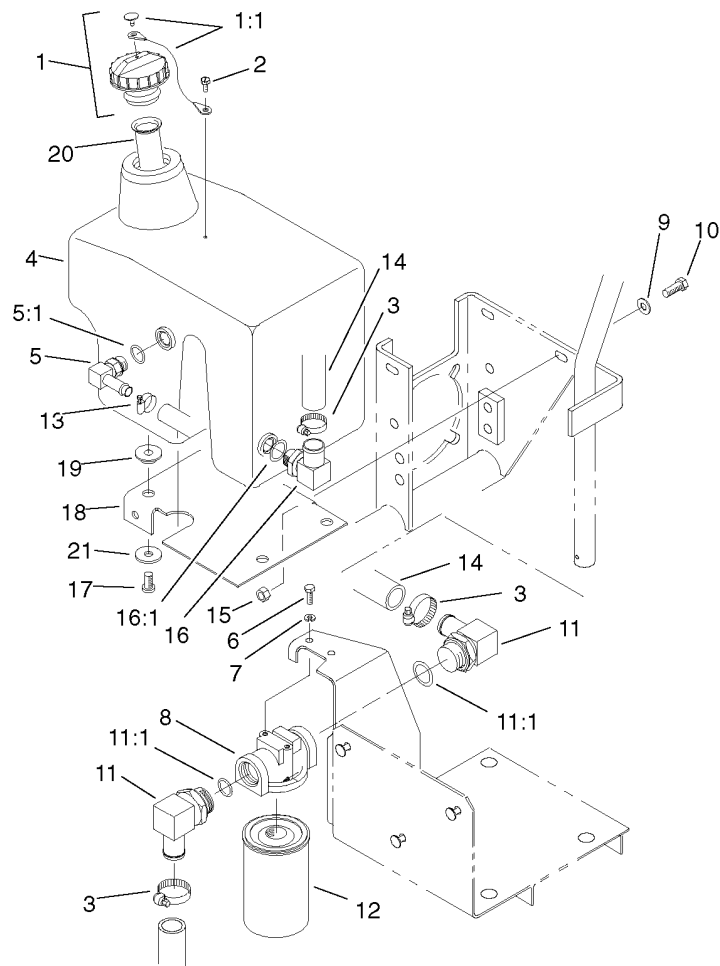
Shroud and Oil Cooler Assembly

Ref.	Part Number	Qty.	Description	Ref.	Part Number	Qty.	Description
1	99-1644	1	Dash Shroud ASM	13	92-7159	1	Tread-Floor, LH
1:2	32148-6	4	Insert-Nut	14	3234-33	3	Screw-HHF
2	92-8997	1	Cooler-Oil	15	322-5	4	Screw-HH
3	85-9550	2	Rubber Clamp ASM	16	95-5807	2	Spacer
3:1	85-9670	1	T-Nut	17	3256-82	3	Washer-Flat
5	353-371	2	Fitting-Elbow-90	18	322-2	2	Screw-HH
5:1	237-79	1	O-Ring	19	95-0620-01	1	Strip-Retainer
6	95-0643	1	Tube-Valve To Cooler	20	95-5826	1	Shield-Rubber
8	95-0610	1	Engine Cover ASM	21	2412-92	2	Clamp-Hose
8:2	95-0611	1	Bracket-RH	22	95-0582	1	Hose-Intake, Air
8:3	95-0612	1	Bracket-LH	23	95-5805	1	Air Cleaner ASM
8:4	3269-8	6	Rivet-Blind	24	95-5806	1	Bracket-Mounting
8:5	59-9740	2	Flex Draw Latch ASM	25	92-7158	1	Tread-Floor, RH
8:5:2	249-40	1	Keeper	26	95-5817	1	Front Shield ASM
8:6	94-1392	2	Pad-Rubber	26:1	249-40	2	Keeper
8:7	3269-28	2	Rivet-Pop	26:2	32148-6	3	Insert-Nut
8:8	92-8985	1	Decal-Operating	26:3	3269-8	4	Rivet-Blind
8:9	93-7252	1	Decal-Ce Mark	27	106-8101	2	Decal
8:10	3256-14	2	Washer-Flat	28	3290-379	2	Tie-Cable
9	46-8560	6	Screw-HHFTF	30	94-4519	1	Tube-Convolute
10	3256-23	4	Washer-Flat	31	3290-378	2	Tie-Cable
11	322-20	2	Screw-HH	32	106-8102	2	Decal
12	3296-29	6	Nut-Lock, NI	33	105-7872	1	Decal-Europe Noise, 96Db



Air Cleaner Assembly No. 95-5805

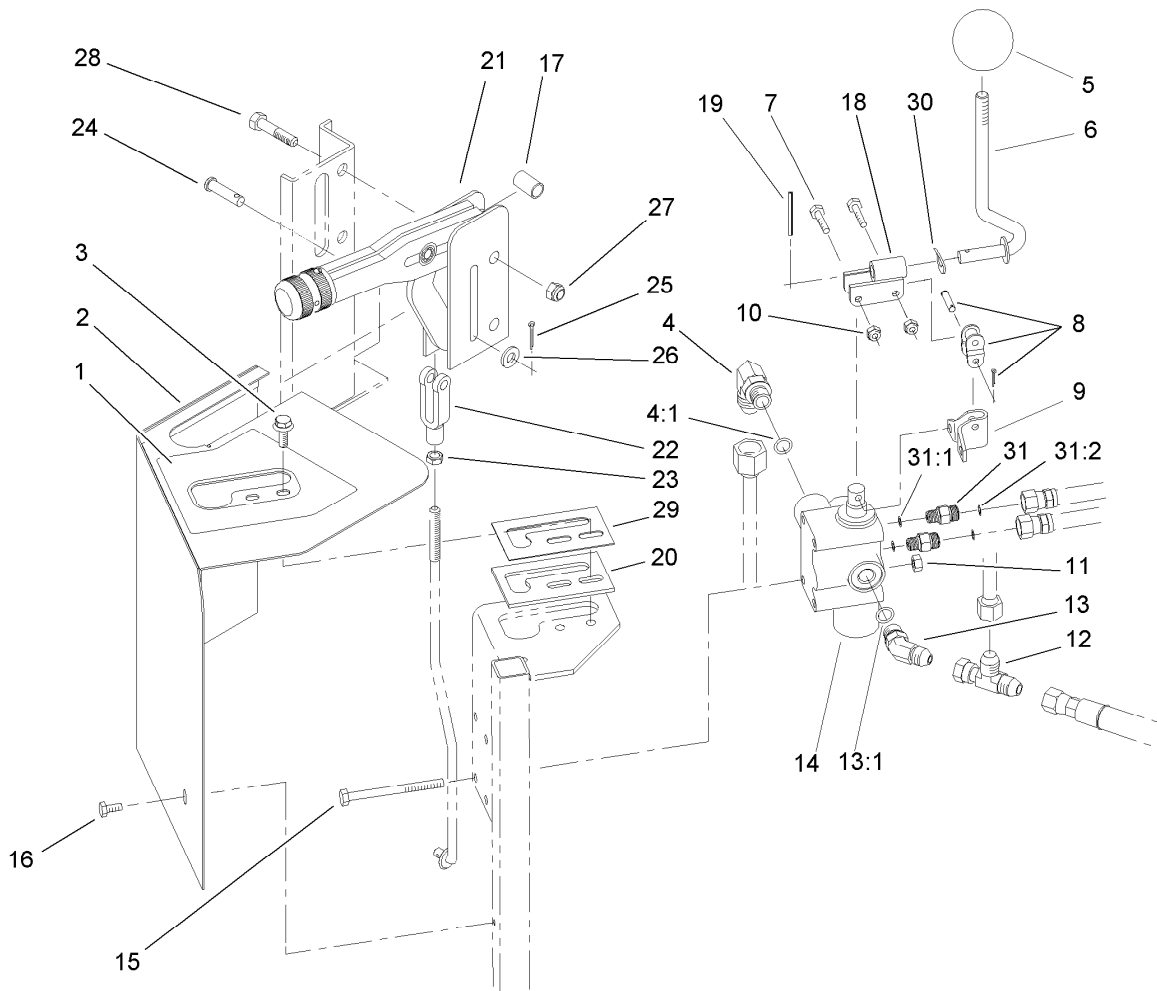
<i>Ref.</i>	<i>Part Number</i>	<i>Qty.</i>	<i>Description</i>
2	108-3811	1	Filter-Air
3	94-3652	1	Cover ASM
4	87-9400	1	Valve-Vacuator
5	285-17	1	Plug-Pipe



Hydraulic Oil Reservoir and Filter Assembly

Ref.	Part Number	Qty.	Description
1	93-4365	1	Cap-Oil
1:1	75-0540	1	Tether And Button Kit
2	57-5420	1	Screw-Shoulder
3	2412-129	4	Clamp-Hose
4	98-0968	1	Tank-HYD
5	354-120	1	Fitting-HYD, 90 DEG
5:1	237-79	1	O-Ring
6	321-3	2	Screw-HH
7	3253-3	2	Washer-Lock
8	68-8990	1	Filter Head ASM
9	3256-24	3	Washer-Flat
10	323-6	3	Screw-HH
11	353-987	2	Fitting-HYD, 90

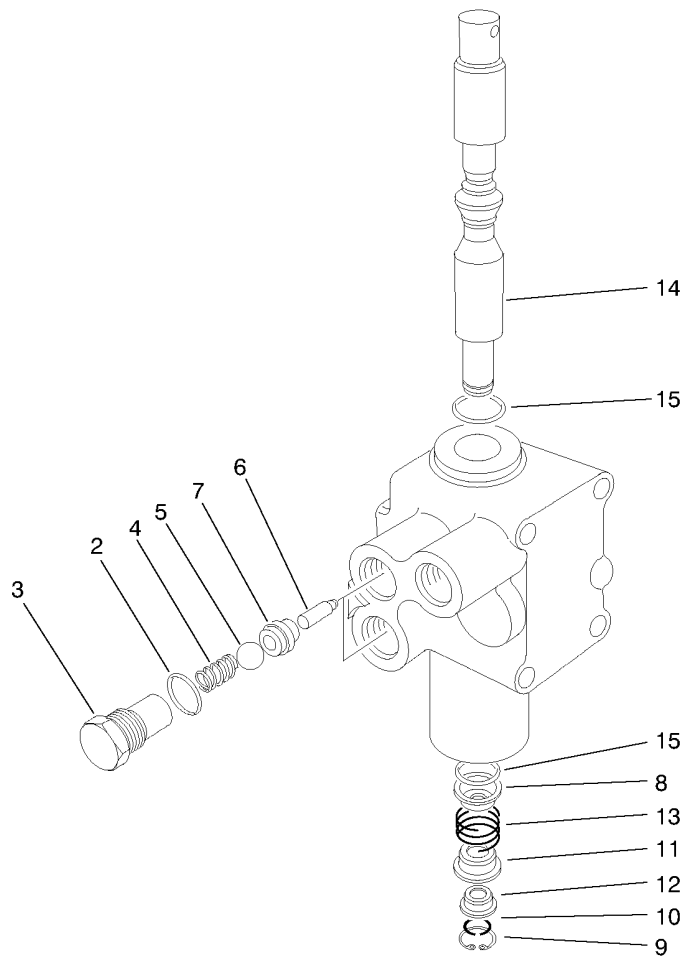
Ref.	Part Number	Qty.	Description
11:1	237-81	1	O-Ring
12	23-9740	1	Filter-Oil
13	2412-36	1	Clamp-Hose
14	107-2152	1	Hose-Suction
15	3296-39	3	Nut-Lock, NI
16	354-136	1	Fitting-HYD
16:1	237-80	1	O-Ring
17	3250-36	3	Screw-PPH
18	95-0590-03	1	Base-Tank, HYD
19	240-11	4	Bushing-Flange
20	92-1705	1	Filter-Screen
21	63-8410	3	Washer



Lift Valve Installation Assembly

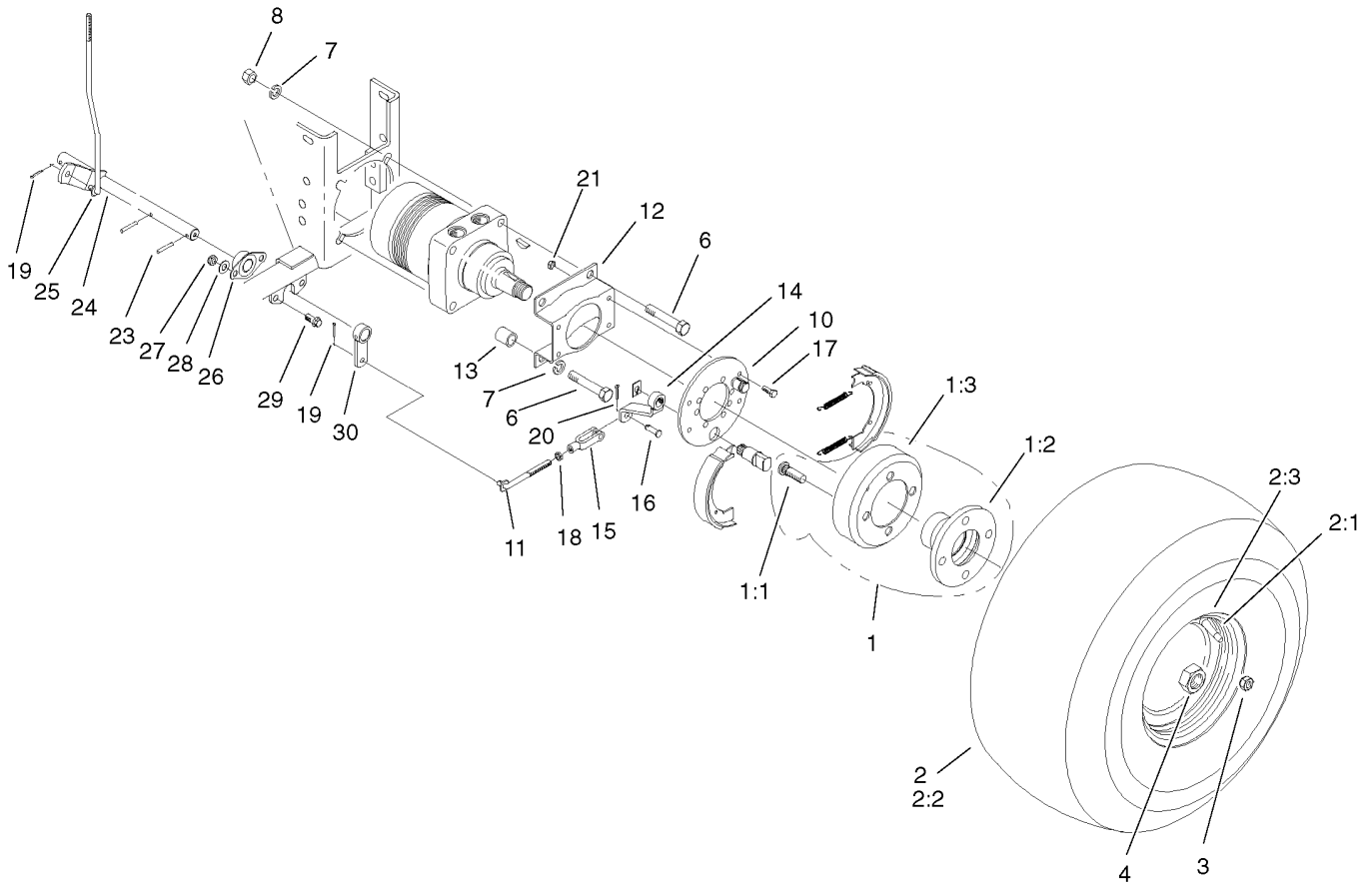
Ref.	Part Number	Qty.	Description
1	95-0647	1	Decal-Control
2	95-0601-01	1	Valve Shroud ASM
3	3234-33	2	Screw-HHF
4	353-511	1	Fitting-HYD, 90 DEG
4:1	237-42	1	O-Ring
5	233-21	1	Knob
6	92-8981	1	Lift Lever ASM
7	3290-360	2	Screw-HH
8	2710-20	1	Link-Offset
9	88-8480	1	Bracket-Pivot
10	3296-2	2	Nut-Lock, NI
11	3296-42	4	Nut-Lock, NI
12	353-877	1	Fitting-HYD, Tee (Swivel)
13	353-212	1	Fitting-HYD, 45 DEG
13:1	237-42	1	O-Ring
14	43-1710-01	1	Valve ASM
15	321-23	4	Screw-HH
16	32104-76	1	Screw

Ref.	Part Number	Qty.	Description
17	85-0290	2	Spacer-Pivot, Seat
18	92-8983	1	Pivot
19	32121-73	1	Pin-Roll
20	21-8640	1	Latch-Lever, Valve
21	95-0636	1	Lever-Brake
22	282-2	1	Yoke
23	3220-2	1	Nut-Jam
24	283-14	1	Pin-Clevis
25	3272-6	1	Pin-Cotter
26	3256-23	1	Washer-Flat
27	3296-29	2	Nut-Lock, NI
28	322-8	2	Screw-HH
29	95-5833	1	Guide-Lever
30	3290-477	1	Washer-Curved
31	340-92	2	Fitting-HYD, Straight
31:1	237-78	1	O-Ring
31:2	237-21	1	O-Ring



Valve Assembly No. 43-1710-01

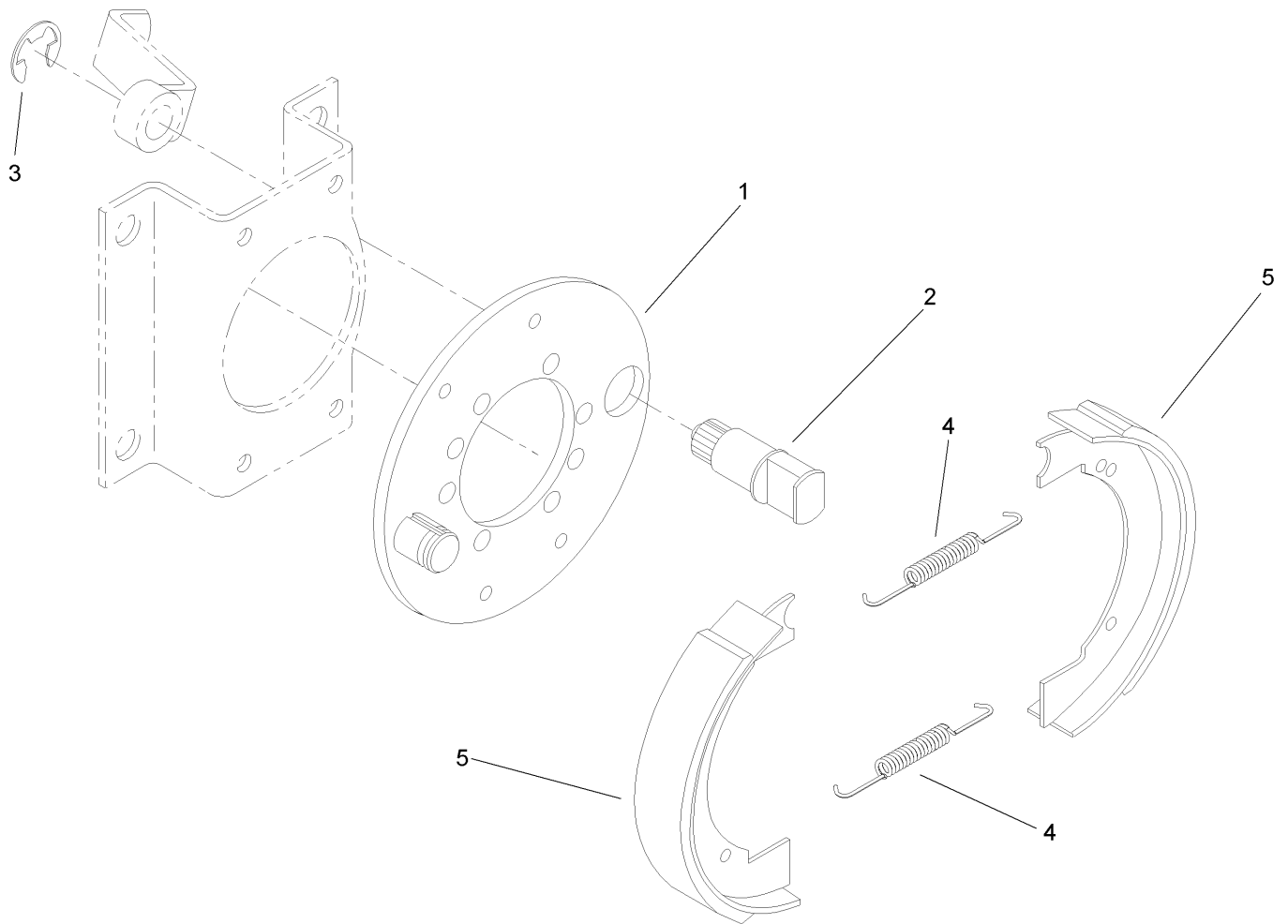
<i>Ref.</i>	<i>Part Number</i>	<i>Qty.</i>	<i>Description</i>
2	237-42	2	O-Ring
3	22-8330	2	Plug
4	22-8340	2	Spring
5	22-8350	2	Ball
6	22-8360	2	Pin
7	22-8370	2	Seat-Valve
8	22-8380	1	Retainer
9	22-8490	1	Ring-Snap
10	22-8480	1	Ring-Snap
11	22-8390	1	Retainer
12	22-8400	1	Spacer
13	22-8410	1	Spring
14	22-8420	1	Spool
15	22-8500	2	O-Ring



Brake Installation Assembly

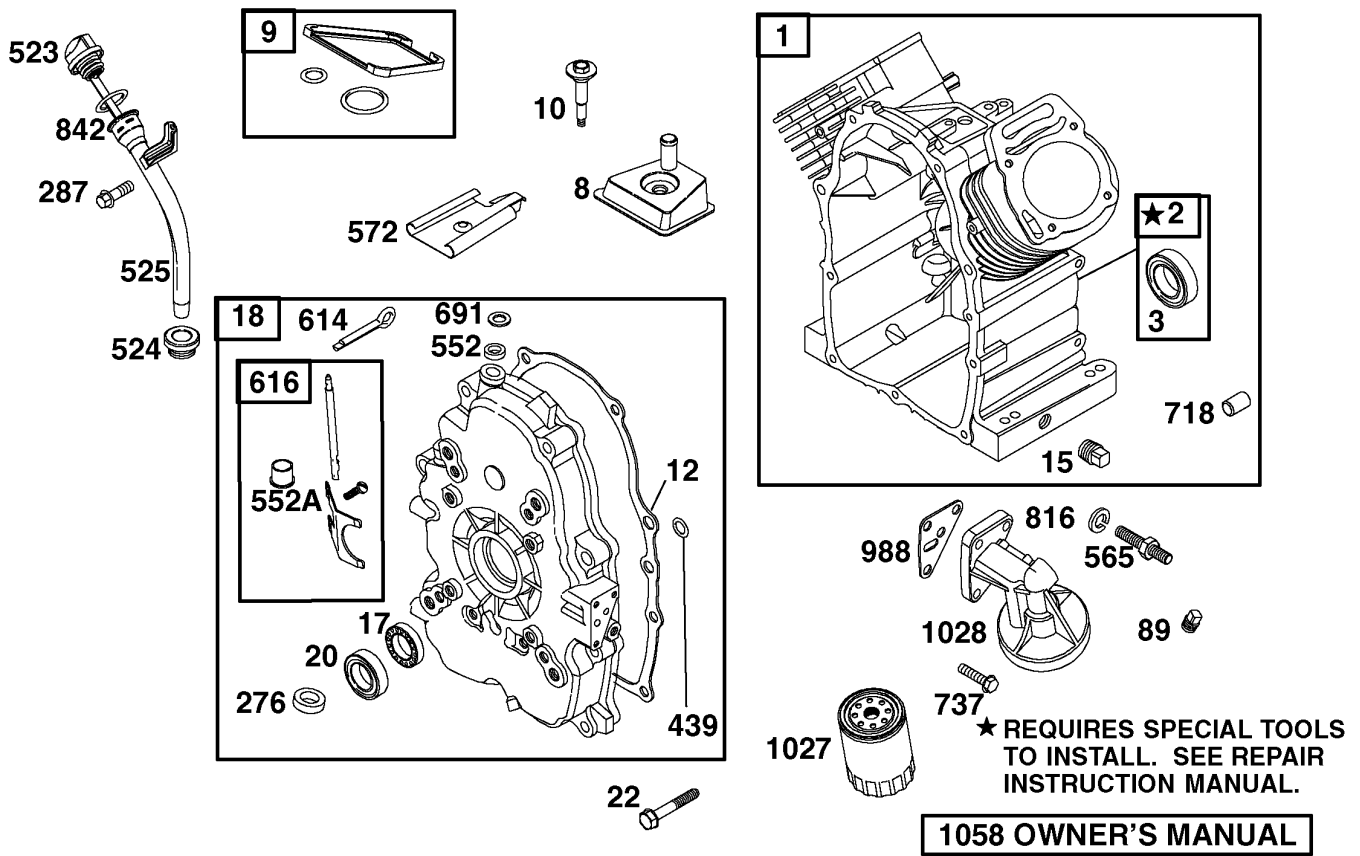
Ref.	Part Number	Qty.	Description	Ref.	Part Number	Qty.	Description
1	17-8149	2	Wheel Hub ASM	14	93-6850	2	Lever-Brake
1:1	85-6540	4	Stud-Drive	15	282-2	2	Yoke
1:2	93-6838-03	1	Hub-Wheel	16	283-1	2	Pin-Clevis
1:3	10-6850	1	Drum-Brake	17	321-4	8	Screw-HH
2		2	Wheel And Tire ASM ●	18	3220-2	2	Nut-Jam
2:1	232-35	1	Valve Stem And Cap ASM	19	3272-6	3	Pin-Cotter
2:2	85-8290	1	Tire-2Ply, Knobby	20	3272-10	2	Pin-Cotter
2:3	94-6116	1	Wheel-Rear	21	3296-42	8	Nut-Lock, NI
3	242-50	8	Nut-Lug	23	32121-6	4	Pin-Roll, Slotted
4	26-3790	2	Nut-Lock	24	95-0625	1	Rod-Traverse
6	325-14	8	Screw-HH	25	95-0628	1	Rod-Brake
7	3253-7	8	Washer-Lock	26	27-2320	2	Bearing
8	3217-9	4	Nut-HH	27	3296-59	4	Nut-Lock, NI
10	104-7705	2	Brake ASM	28	3256-24	4	Washer-Flat
11	84-1990	2	Rod-Adjusting	29	3234-1	4	Screw-HHF
12	84-2000-03	2	Bracket-Brake	30	83-9310	2	RH Brake Lever ASM
13	92-1715	8	Spacer				

● Not serviced separately



Brake Assembly No. 104-7705

<i>Ref.</i>	<i>Part Number</i>	<i>Qty.</i>	<i>Description</i>
1	70-9870	1	Plate-Backing
2	104-7707	1	Shaft-Cam, Brake
3	104-7706	1	E-Ring, Bowed
4	70-9880	2	Spring-Return
5	70-9840	2	Shoe-Brake



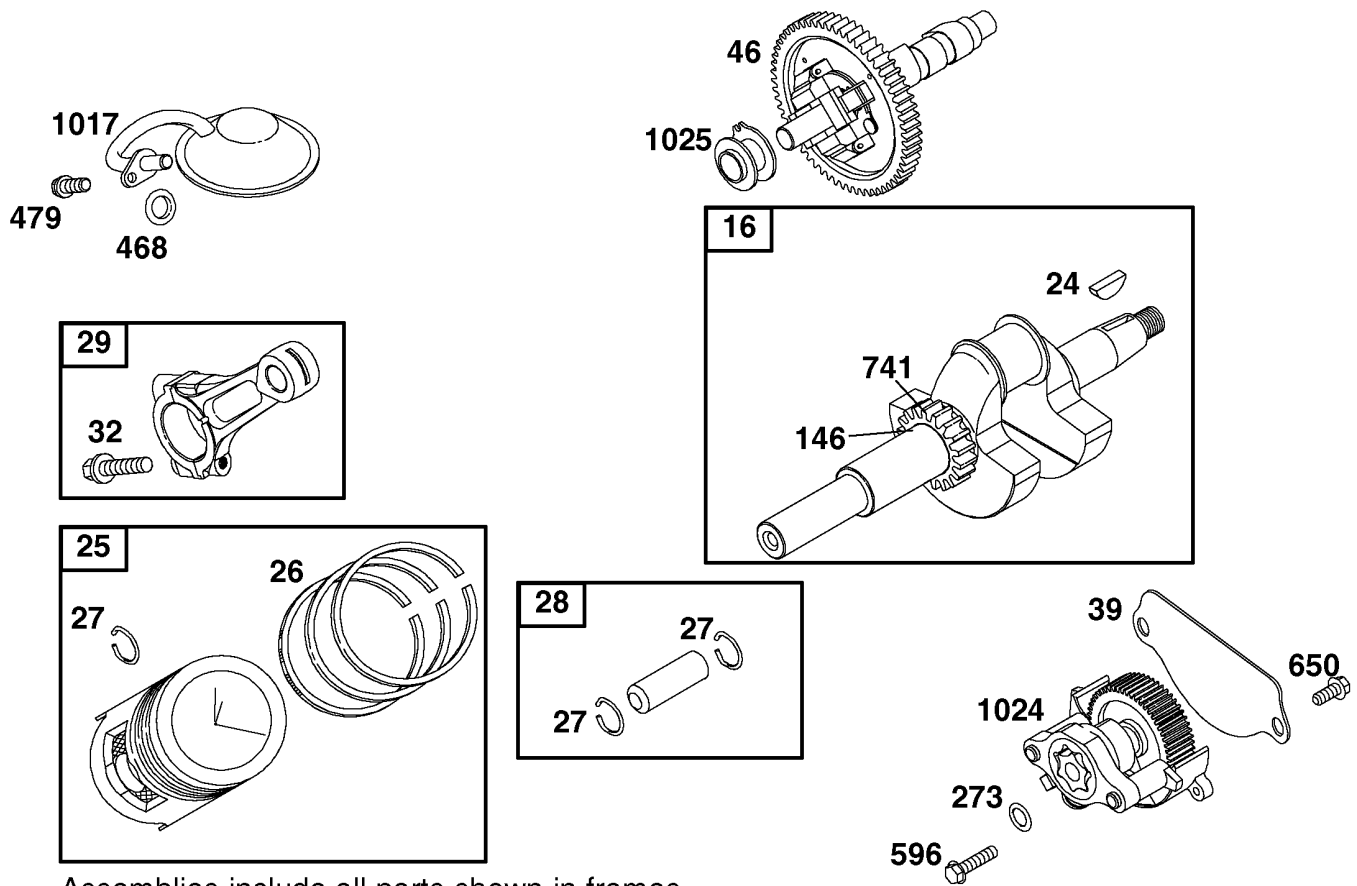
Assemblies include all parts shown in frames.

Cylinder Assembly Briggs and Stratton 303447-1180-E1

Ref.	Part Number	Qty.	Description	Ref.	Part Number	Qty.	Description
1	692178	1	Cylinder ASM ●	524	281370	1	Seal ■ ●
2	808534	1	Bushing-Seal Kit ●	525	807584	1	Tube-Oil Fill ●
3	805101	1	Seal-Oil ■ ●	552	690701	1	Bushing-Crank, Governor ●
8	807795	1	Breather Assembly ●	552A	806686	1	Bushing-Crank, Governor ●
9	807688	1	Gasket-Breather ■ ●	565	690706	1	Washer ●
10	805751	1	Screw ●	572	805197	1	Baffle-Oil ●
12	806190	1	Gasket-Crankcase ●	614	691550	1	Retainer-Shaft, Governor ●
15	805048	1	Plug-Oil Drain ●	616	806685	1	Crank-Governor ●
17	690752	1	Bearing-Ball ●	691	690680	1	Seal-Shaft, Governor ● ■
18	808847	1	Cover-Crankcase ●	718	690684	1	Pin-Locating ●
20	805049	1	Seal-Oil ■ ●	737	690679	1	Screw ●
22	692540	1	Screw ●	816	690706	1	Washer ●
89	690283	1	Plug-Oil ●	842	805386	1	O-Ring ● ■
276	690704	1	Washer-Sealing ●	988	805250	1	Gasket-Adapter ● ■
287	805247	1	Screw ●	1027	492932	1	Filter-Oil ●
439	692154	1	Seal-O Ring ●	1028	808325	1	Adapter-Oil Filter ●
523	807977	1	Dipstick ●	1058	274272	1	Manual-Owner's ●

● Obtain parts from www.briggsandstratton.com

■ Included in Engine Gasket Set-Part No. 808390.



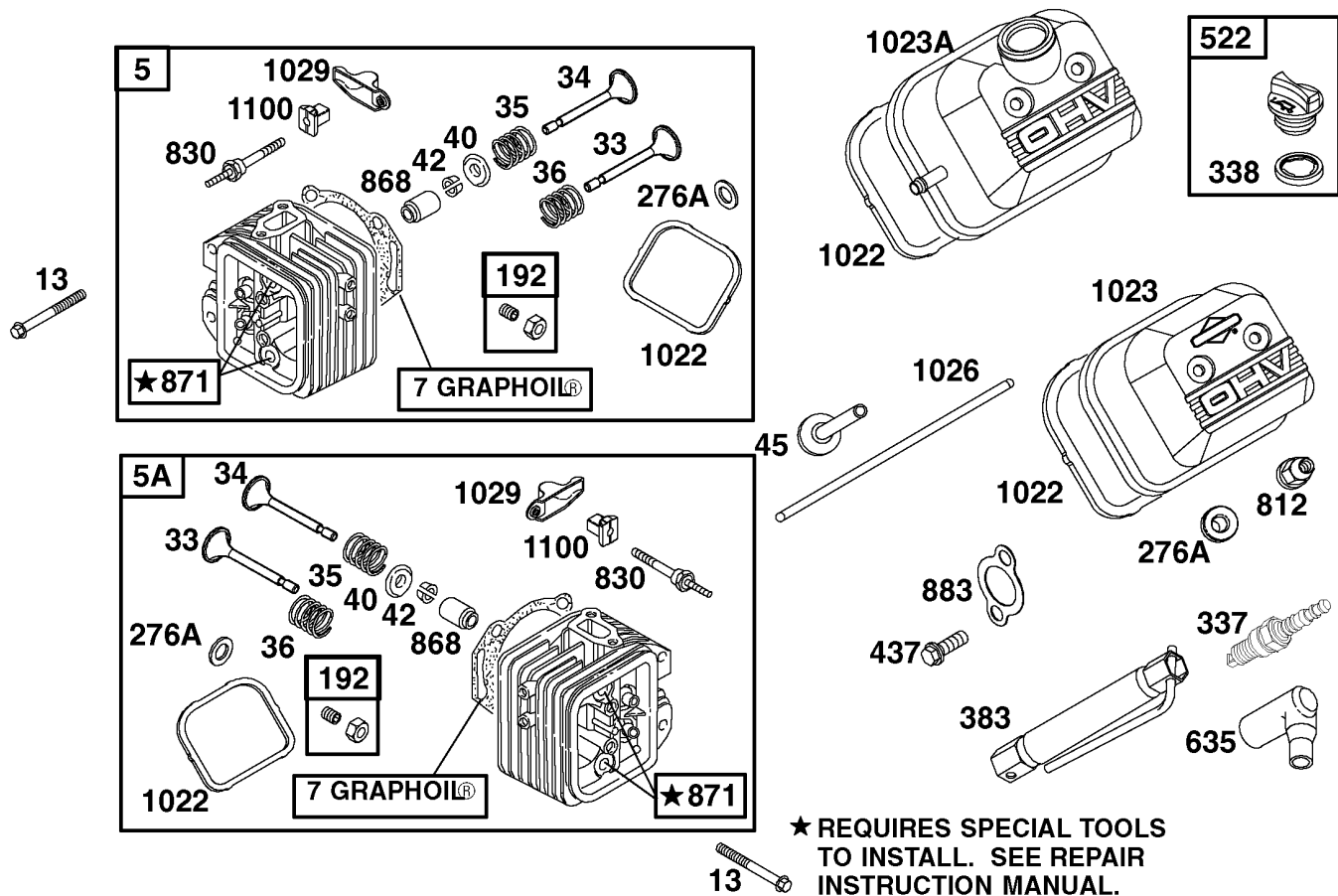
Assemblies include all parts shown in frames.

Crankshaft Assembly Briggs and Stratton 303447-1180-E1

Ref.	Part Number	Qty.	Description	Ref.	Part Number	Qty.	Description
16	692168	1	Crankshaft ●	807809		1	Piston ASM (.020 Oversize) ●
24	806066	1	Key-Flywheel ●	32	690698	1	Screw ●
25	807619	1	Piston ASM (Standard) ●	39	690745	1	Deflector-Oil ●
	807807	1	Piston ASM (.010 Oversize) ●	46	691557	1	Camshaft ●
	807809	1	Piston ASM (.020 Oversize) ●	146	94196	1	Key-Timing ●
	807811	1	Piston ASM (.030 Oversize) ●	273	690681	1	Seal-O Ring ■●
26	807620	1	Ring Set (Standard) ●	468	690690	1	Seal-O Ring ■●
	807808	1	Ring Set (.010 Oversize) ●	479	692537	1	Screw ●
	807810	1	Ring Set (.020 Oversize) ●	596	691492	1	Screw ●
	807812	1	Ring Set (.030 Oversize) ●	650	692539	1	Screw ●
27	690683	1	Lock-Pin, Piston ●	741	691530	1	Gear-Timing ●
28	807621	1	Pin-Piston ●	1017	690900	1	Screen-Pump, Oil ●
29	807900	1	Rod-Connecting (Standard) ●	1024	693185	1	Pump-Oil ●
				1025	690689	1	Spool-Governor ●

● Obtain parts from www.briggsandstratton.com

■ Included in Engine Gasket Set-Part No. 808390.



Assemblies include all parts shown in frames.

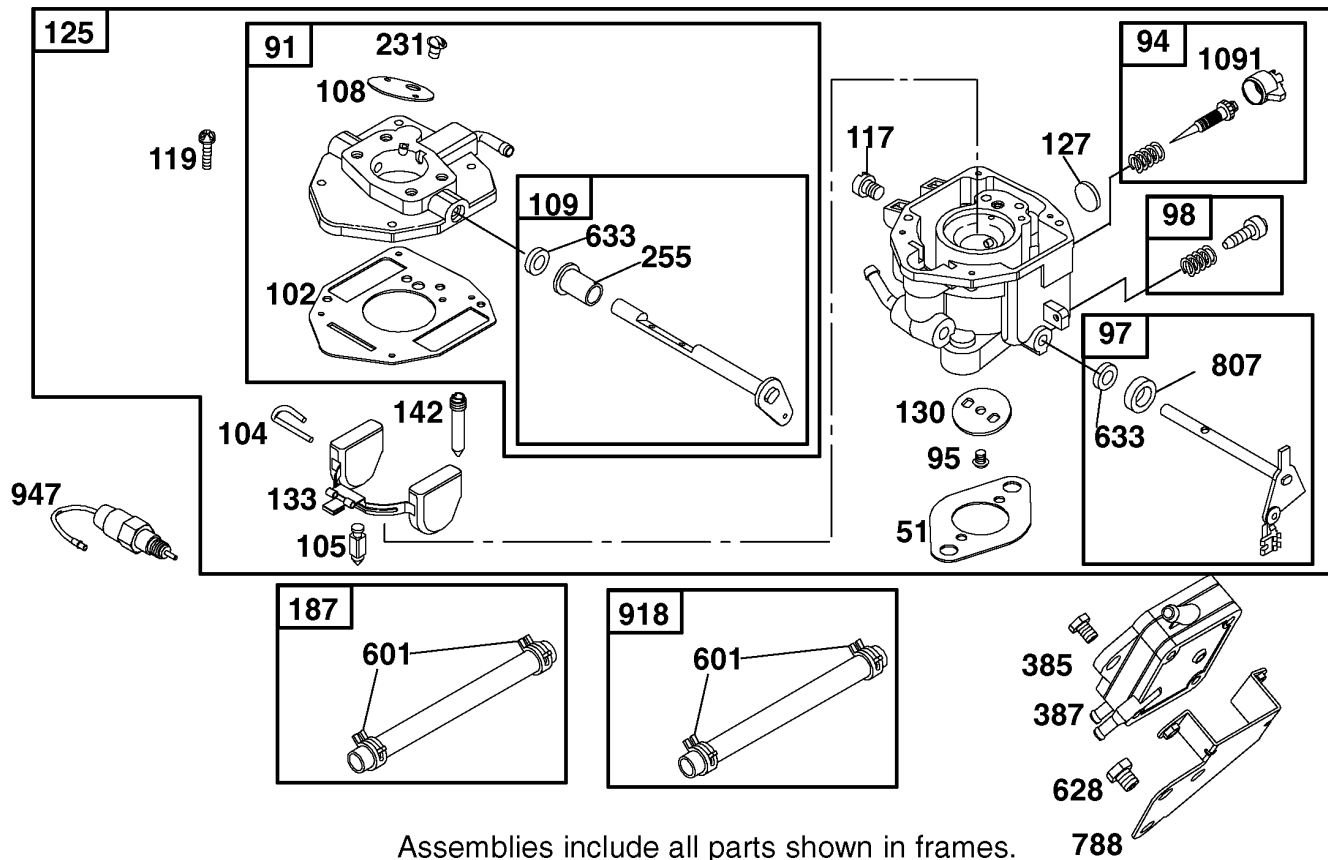
Crankcase Assembly Briggs and Stratton 303447-1180-E1

Ref.	Part Number	Qty.	Description
5	808381	1	Head-Cylinder (Cylinder No. 1) ●
5A	808382	1	Head-Cylinder (Cylinder No. 2) ●
7	806085	1	Gasket-Head, Cylinder ▲ ■ ●
13	805097	1	Screw-HH ●
33	807681	1	Valve-Exhaust ●
34	807680	1	Valve-Intake ●
35	805937	1	Spring-Valve ●
36	805937	1	Spring-Valve ●
40	805092	1	Retainer-Valve ●
42	807683	1	Keeper-Valve ●
45	262679	1	Tappet-Valve ●
192	807623	1	Adjuster-Arm, Rocker ●
276A	805420	1	Washer ▲ ■ ●
337	496018	1	Spark Plug ●
338	691312	1	Seal-O Ring ▲ ■ ●

Ref.	Part Number	Qty.	Description
383	19374	1	Wrench-Spark Plug ●
522	491832	1	Plug-Fill, Dipstick ●
437	805158	1	Screw ●
635	805529	1	Boot-Spark Plug ●
812	805019	1	Nut-Lock ●
830	691544	1	Stud-Rocker Arm ●
868	805094	1	Seal-Valve ●
871	805084	1	Guide-Valve ●
883	805024	1	Gasket-Exhaust ● ▲ ■
1022	806039	1	Gasket-Cover, Rocker ● ▲ ■
1023	691494	1	Cover-Valve ●
1023A	690910	1	Cover-Valve ●
1026	805352	1	Rod-Push ●
	805617	1	Rod-Push (Aluminum-Exhaust) ●
1029	691543	1	Arm-Rocker ●
1100	690973	1	Pivot-Arm, Rocker ●

● Obtain parts from www.briggsandstratton.com
▲ Included in Engine Gasket Set-Part No. 808390.

■ Included in Valve Gasket Set-Part No. 808392.



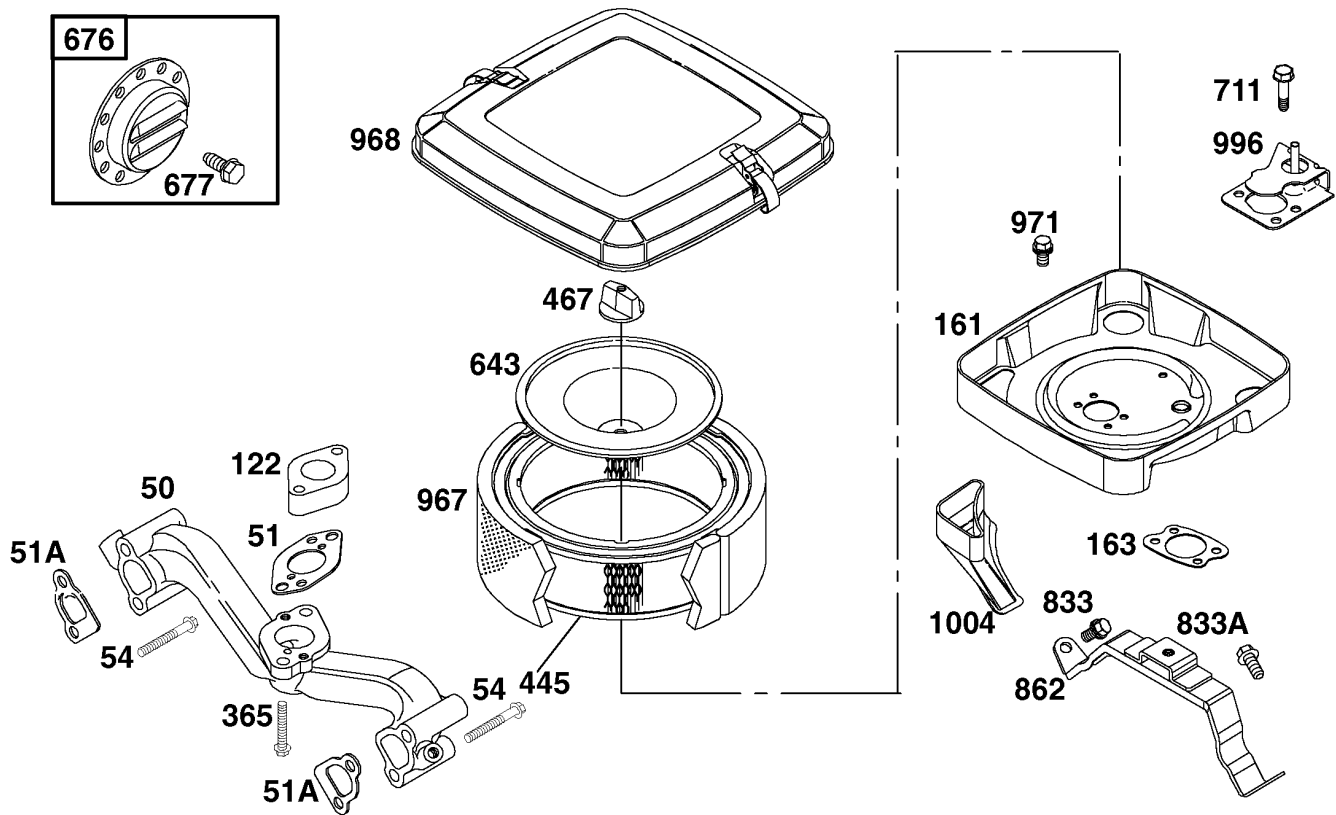
Assemblies include all parts shown in frames.

Carburetor Assembly Briggs and Stratton 303447-1180-E1

Ref.	Part Number	Qty.	Description	Ref.	Part Number	Qty.	Description
51	805700	1	Gasket-Intake ■●	133	691510	1	Float-Carburetor ●
91	807919	1	Body-Carburetor, Upper ●	142	690725	1	Nozzle-Carburetor ●▲
94	808257	1	Idle Mixture Kit ▲●	187	296004	1	Fuel-Hose ●
95	690718	1	Screw ●	231	690718	1	Screw ●
97	807720	1	Shaft-Throttle ●	255	690721	1	Bushing-Shaft, Choke ●▲
98	808177	1	Idle Speed Kit ●	385	692537	1	Screw ●
102	805541	1	Gasket-Intake Elbow ▲●	387	491922	1	Pump-Fuel ●
104	690723	1	Pin-Hinge, Float ▲●	601	93053	1	Clamp-Hose ●
105	805547	1	Valve-Needle ▲●	628	805025	1	Screw ●
108	690719	1	Valve-Choke ●	633	690722	1	Seal-Shaft, Choke Throttle ●▲
109	807722	1	Shaft-Choke ●	788	691559	1	Bracket-Pump, Fuel ●
117	690861	1	Jet-Main ●	807	805557	1	Collar-Throttle ●▲
	805537	1	Jet-Main (High Altitude) ●	918	393815	1	Line-Vacuum ●
119	690720	1	Screw ●	947	807664	1	Solenoid ●
125	808251	1	Carburetor Assembly ●	1091	691516	1	Cap-Limiter ●▲
127	690727	1	Plug-Welch ●▲				
130	690726	1	Valve-Throttle ●				

● Obtain parts from www.briggsandstratton.com
▲ Included in Carburetor Overhaul Kit-Part No. 808273.

■ Included in Engine Gasket Set-Part No. 808390.

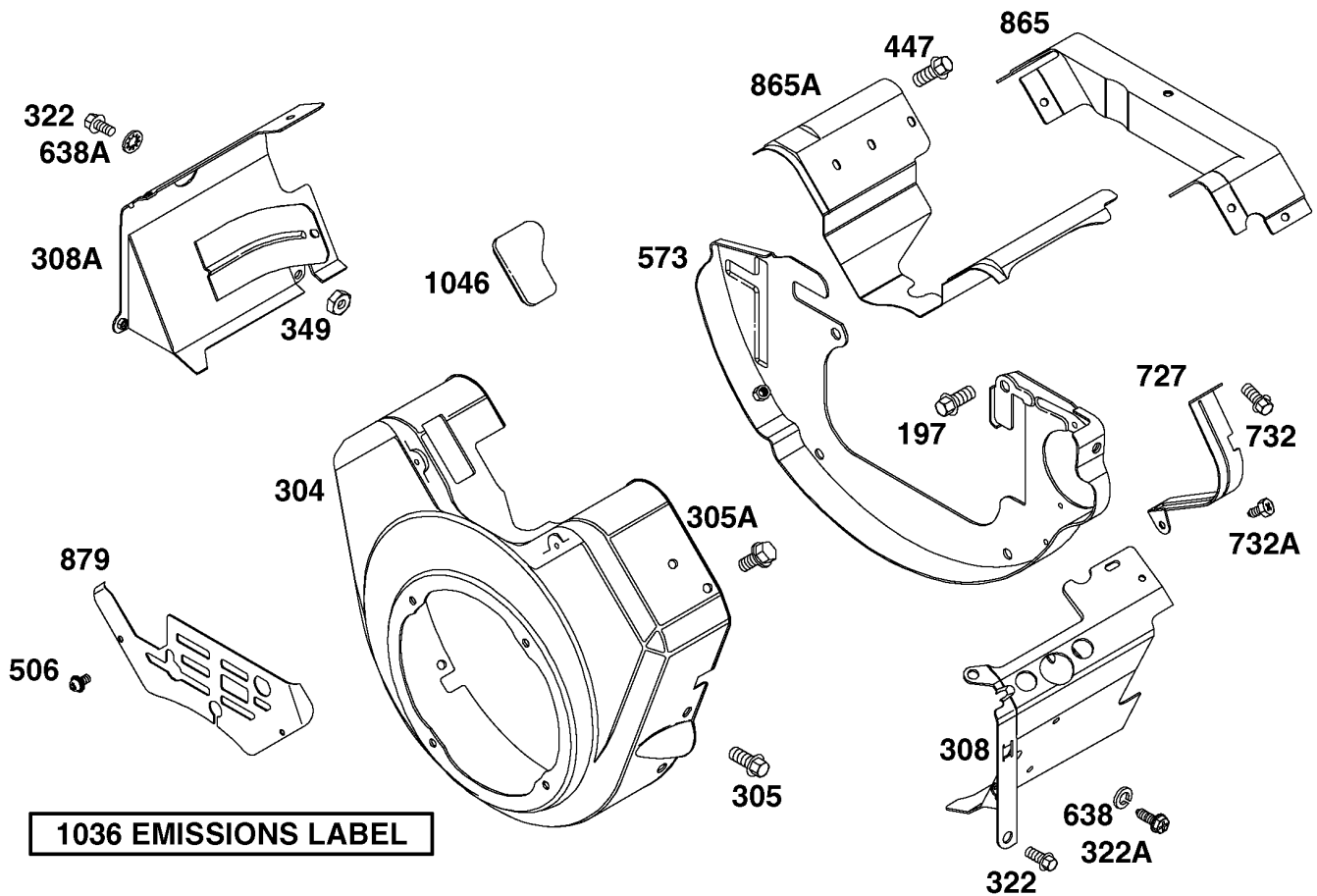


Air Cleaner Assembly Briggs and Stratton 303447-1180-E1

Ref.	Part Number	Qty.	Description
50	690754	1	Manifold-Intake ●
51	805700	1	Gasket-Intake ▲●
51A	805023	1	Gasket-Intake ▲■●
54	690676	1	Screw ●
122	690691	1	Spacer-Carburetor ●
161	691561	1	Base-Cleaner, Air ●
163	805655	1	Gasket-Carburetor ▲●
365	690711	1	Screw ●
445	394018	1	Filter-Air ●
467	491875	1	Knob ●
643	805631	1	Plate-Element ●
676	397630	1	Deflector-Exhaust ●
677	94896	1	Screw ●
711	691492	1	Screw ●
833	692539	1	Screw ●
833A	690872	1	Screw ●
862	692153	1	Strap-Stud Mounting, Air Cleaner ●
967	272490	1	Filter-Air ●
968	807862	1	Cover-Air Cleaner ●
971	692539	1	Screw ●
996	691577	1	Shield-Carburetor ●
1004	690743	1	Strap-Cleaner Mounting ●

● Obtain parts from www.briggsandstratton.com
▲ Included in Engine Gasket Set-Part No. 808390.

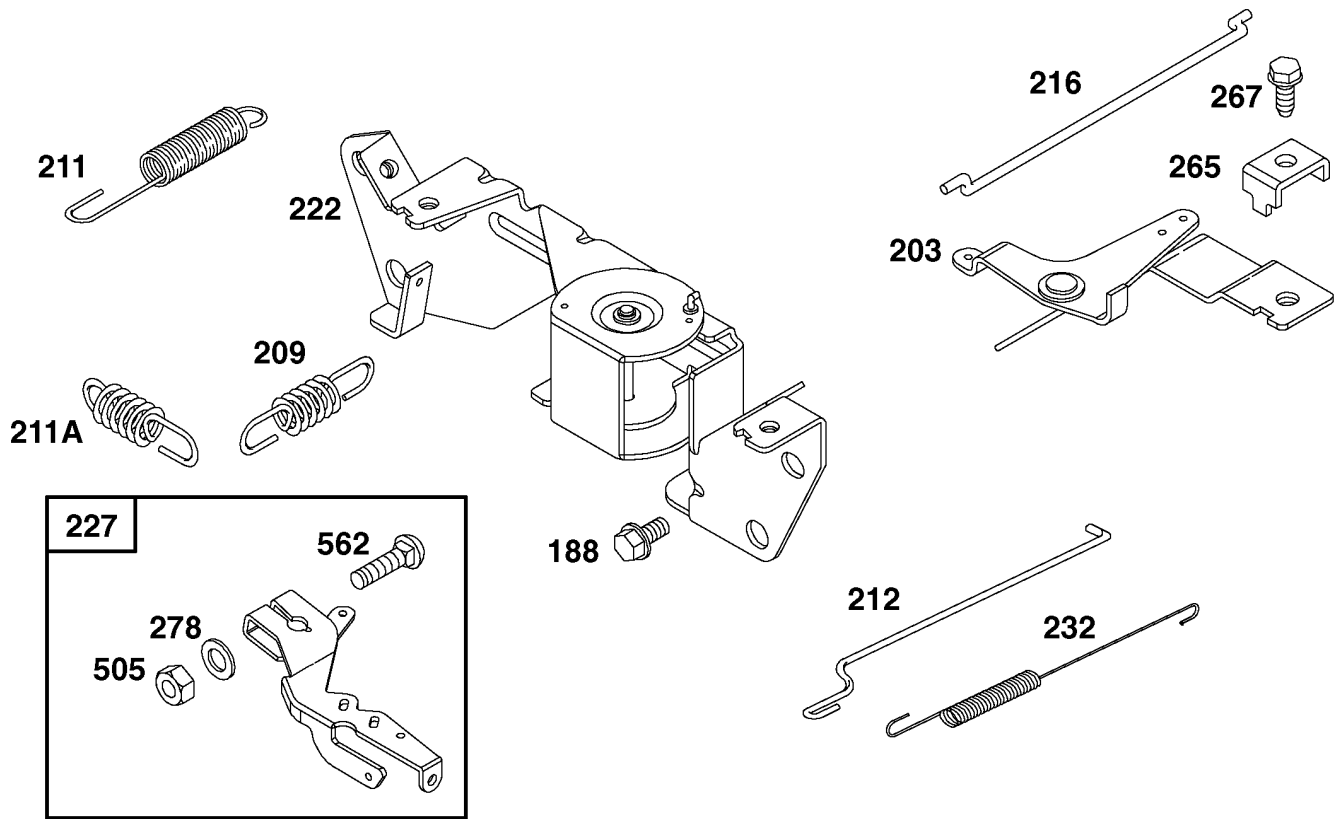
■ Included in Valve Gasket Set-Part No. 808392.



Blower Housing Assembly Briggs and Stratton 303447-1180-E1

Ref.	Part Number	Qty.	Description
197	692539	1	Screw ●
304	808408	1	Housing-Blower ●
305	692539	1	Screw ●
305A	805025	1	Screw ●
308	691576	1	Cover-Cylinder Head (Cylinder No.1) ●
308A	691563	1	Cover-Cylinder Head (Cylinder No.2) ●
322	692539	1	Screw ●
322A	805448	1	Screw ●
349	690238	1	Nut ●
447	692539	1	Screw ●
506	690617	1	Screw (Carburetor Cover) ●
573	807663	1	Plate-Back ●
638	690706	1	Washer ●
638A	691551	1	Washer ●
727	690714	1	Shield-Starter ●
732	692539	1	Screw ●
732A	690688	1	Screw ●
865	690901	1	Cover-Air Guide ●
865A	690750	1	Cover-Guide, Air ●
879	690757	1	Cover-Carburetor ●
1036	806687	1	Decal-Emission ●
1046	805753	1	Plug-Blower Housing ●

● Obtain parts from www.briggsandstratton.com

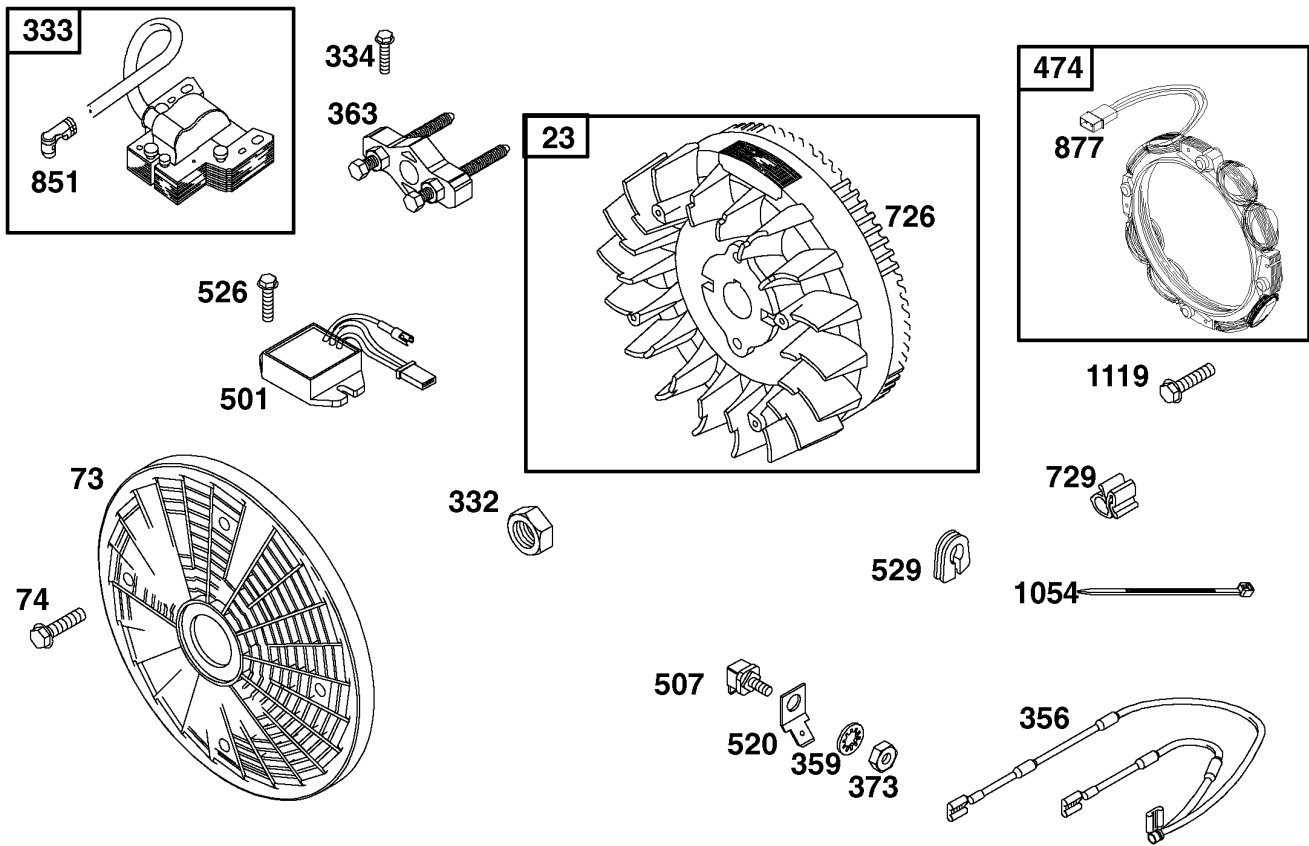


Assemblies include all parts shown in frames.

Governor Assembly Briggs and Stratton 303447-1180-E1

<i>Ref.</i>	<i>Part Number</i>	<i>Qty.</i>	<i>Description</i>
188	805025	1	Screw ●
203	690923	1	Crank-Bell ●
209	691508	1	Spring-Governor ●
211	805450	1	Spring-Governor ●
211A	805453	1	Spring-Governor ●
212	690712	1	Link-Throttle ●
216	690705	1	Link-Choke ●
222	808454	1	Bracket-Control ●
227	690236	1	Lever-Control, Governor ●
232	805465	1	Spring-Link ●
265	221535	1	Clamp-Casing ●
267	805762	1	Screw-HH ●
278	690237	1	Washer ●
505	690238	1	Nut ●
562	690239	1	Bolt ●

● Obtain parts from www.briggsandstratton.com

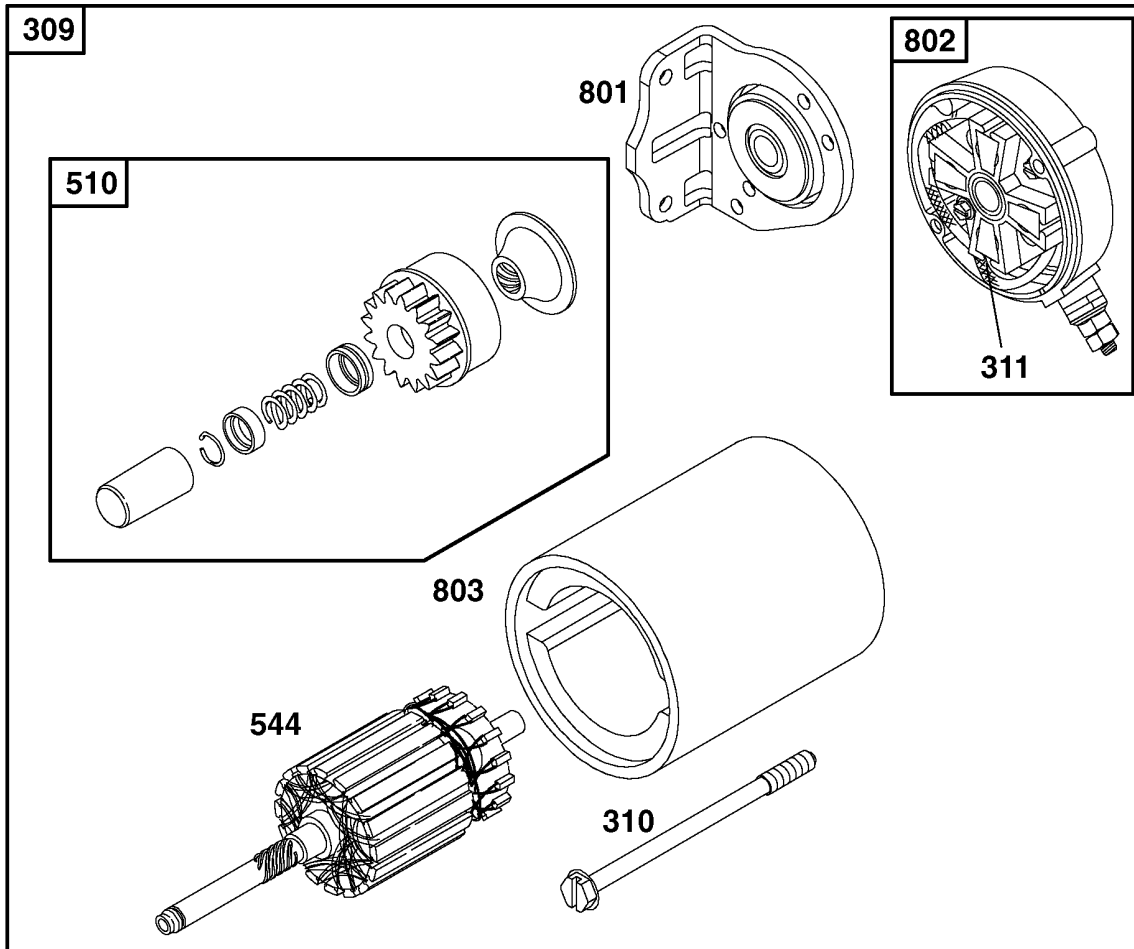


Assemblies include all parts shown in frames.

Flywheel Assembly Briggs and Stratton 303447-1180-E1

Ref.	Part Number	Qty.	Description
23	690919	1	Flywheel ●
73	494439	1	Screen-Rotating ●
74	805447	1	Screw ●
332	690887	1	Nut ●
333	49234	1	Armature-Magneto ●
334	805407	1	Screw-HH ●
356	493792	1	Wire-Stop ●
359	691077	1	Washer ●
363	19203	1	Puller-Flywheel ●
373	90576	1	Nut ●
474	393295	1	Alternator ●
501	394890	1	Regulator ●
507	398525	1	Insulator ●
520	691084	1	Terminal-Ground ●
526	805448	1	Screw ●
529	690744	1	Grommet ●
726	808162	1	Ring Gear (Includes Mounting Hardware). ●
729	690586	1	Clip-Wire ●
851	493880	1	Terminal-Spark Plug ●
877	393537	1	Connector-Wire, Tri Circuit ●
1054	280275	1	Tie-Cable ●
1119	805407	12	Screw-HH ●

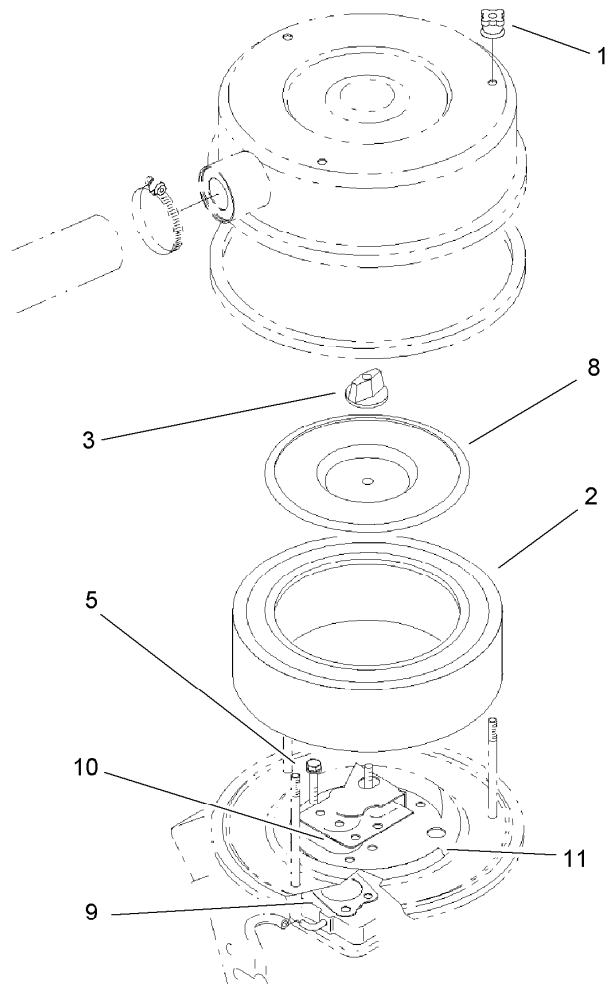
● Obtain parts from www.briggsandstratton.com



Starter Assembly Briggs and Stratton 303447-1180-E1

<i>Ref.</i>	<i>Part Number</i>	<i>Qty.</i>	<i>Description</i>
309	691564	1	Motor-Starter ●
310	496880	1	Bolt-Thru ●
311	496887	1	Brush Set ●
510	496881	1	Drive-Starter ●
544	690855	1	Armature-Starter ●
697	805247	1	Screw ●
801	496814	1	Cap-Drive ●
802	496813	1	Cap-End ●
803	690854	1	Housing-Starter ●

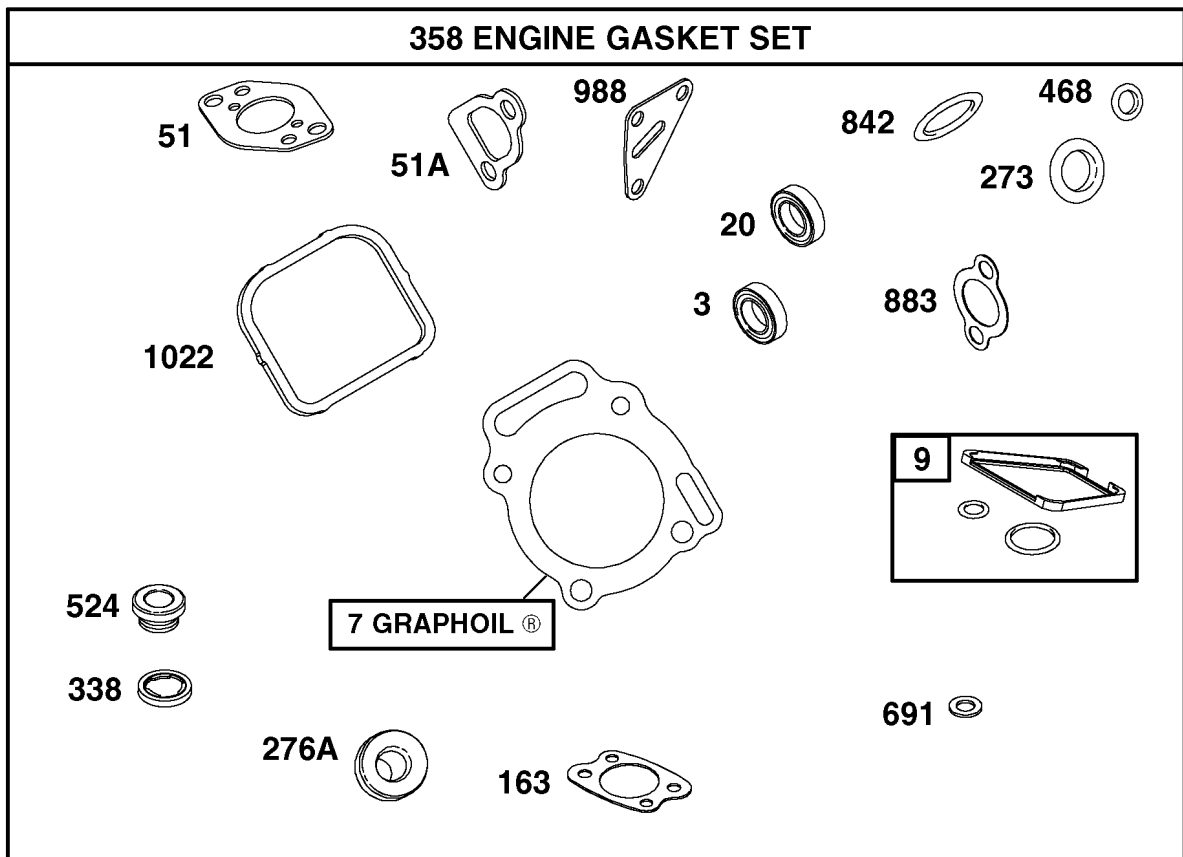
● Obtain parts from www.briggsandstratton.com



Engine Air Intake Assembly Briggs and Stratton 303447-1180-E1

<i>Ref.</i>	<i>Part Number</i>	<i>Qty.</i>	<i>Description</i>
1	281051	3	Nut ●
2	394018	1	Filter-Air ●
3	491875	1	Knob ●
5	805317	5	Screw-Hfh ●
8	805631	1	Plate-Element ●
9	805655	1	Gasket-Carburetor ●
10	808311	1	Shield-Carburetor ●
11	805783	1	Hose-Breather ●

● Obtain parts from www.briggsandstratton.com



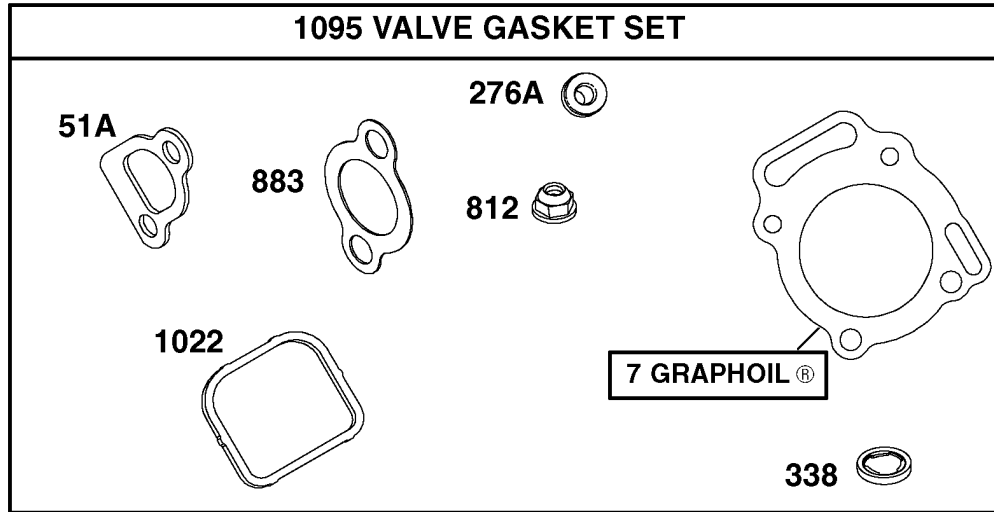
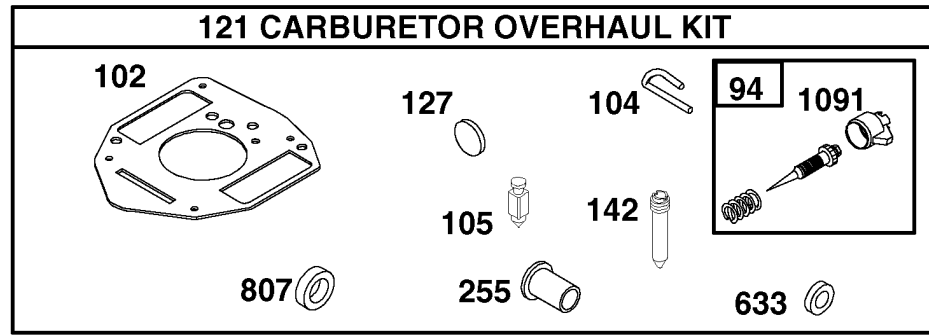
Assemblies include all parts shown in frames.

Gasket Kit Briggs and Stratton 303447-1180-E1

Ref.	Part Number	Qty.	Description
3	805101	1	Seal-Oil ▲●
7	806085	1	Gasket-Head, Cylinder ▲■●
9	807688	1	Gasket-Breather ▲●
20	805049	1	Seal-Oil ●▲
51	805700	1	Gasket-Intake ●▲
51A	805023	1	Gasket-Intake ●▲■
163	805655	1	Gasket-Carburetor ●▲
273	690681	1	Seal-O Ring ●▲
276A	805420	1	Washer ●▲■
338	271983	1	Seal-Filler Plug ●▲■
358	808390	1	Engine Gasket Set ●
468	690690	1	Seal-O Ring ●▲
524	281370	1	Seal ●▲
691	690680	1	Seal-Shaft, Governor ●▲
842	805386	1	O-Ring ●▲
883	805024	1	Gasket-Exhaust ●▲■
988	805250	1	Gasket-Adapter ●▲
1022	806039	1	Gasket-Cover, Rocker ●▲■

● Obtain parts from www.briggsandstratton.com
▲ Included in Engine Gasket Set-Part No. 808390.

■ Included in Valve Gasket Set-Part No 808392.



Assemblies include all parts shown in frames.

Carburetor Overhaul Kit Assembly Briggs and Stratton 303447-1180-E1

Ref.	Part Number	Qty.	Description
7	806085	1	Gasket-Head, Cylinder ▲■●
51A	805023	1	Gasket-Intake ▲■●
94	808257	1	Idle Mixture Kit ◆●
102	805541	1	Gasket-Intake Elbow ●◆
104	690723	1	Pin-Hinge, Float ●◆
105	805547	1	Valve-Needle ●◆
121	808273	1	Carburetor Kit ●
127	690727	1	Plug-Welch ●◆
142	690725	1	Nozzle-Carburetor ●◆
255	690721	1	Bushing-Shaft, Choke ●◆
276A	805420	1	Washer ●▲■
338	691312	1	Seal-O Ring ●▲■
633	690744	1	Grommet ●◆
807	805557	1	Collar-Throttle ●◆
812	805019	1	Nut-Lock ●◆
883	805024	1	Gasket-Exhaust ●▲■
1022	806039	1	Gasket-Cover, Rocker ●▲■
1091	691516	1	Cap-Limiter ●◆
1095	808392	1	Valve Gasket Set ●

● Obtain parts from www.briggsandstratton.com
 ▲ Included in Engine Gasket Set-Part No. 808390.
 ◆ Included in Carburetor Overhaul Kit-Part No. 808273.

■ Included in Valve Gasket Set-Part No. 808392.

Attachments and Accessories

For 08884 Sand Pro 2020

Product Name	Model/Part
Rake-Tooth	08812
Rake-Spring.....	08813
Mounting Kit.....	08814
Weeder / Cultivator	08815
Front Blade Kit.....	08821
Drag Mat Kit.....	08850
Spiker	08856
Cyclone 1000 Debris Blower.....	08857
Debris Blower Installation Kit	08858
Chute-Discharge.....	08860
Finish Grader	08867
Lever-Pump Kit.....	107-3516
Seat Kit.....	30797
Sand Blade 240	44900
Bar-Draw	92-2330
Plate-Adapter, Seat	92-7171
Screen-Arrestor, Spark.....	95-5819
CE Update Kit.....	95-5832

Notes:

Notes:



Count on it.