



**Count on it.**

**Parts Catalog**

**Sand Pro® 2020**

**Model No. 08884—Serial No. 270000001 and Up**

# Ordering Replacement Parts

To order replacement parts, please supply the part number, the quantity, and the description of each part desired.

## Understanding Reference Numbers

Each identified part in an illustration has a reference number. The reference number for a part also appears in the parts list, along with other information about the part.

This catalog uses two special reference number formats, one to indicate parts in a service assembly and another to indicate the quantity of a given part in an illustration.

## Service Assembly Reference Numbers

Parts in service assemblies have reference numbers in the form a:b. The a represents the reference number of the entire service assembly and the b represents a sequential number unique to each part within the service assembly.

For example, a wheel assembly might be identified by reference number 6, the tire by 6:1, the valve by 6:2, and the wheel by 6:3. When you order the assembly identified by reference number 6, you receive all parts identified by reference numbers 6:1, 6:2, and 6:3. However, you may also order any part individually. Reference numbers of this type appear in illustration and in parts lists.

## Reference Numbers Indicating Quantity

In an illustration, if a reference number indicates more than one part, the reference number has the form nX y. The n represents the quantity of the part, the X is the multiplication symbol, and the y represents the reference number.

For example, in an illustration, the reference number 2X 37 means that two of the parts identified by reference number 37 are indicated.

# List of Abbreviations

**AR:** as required

**ASM:** assembly

**BBC:** blade brake control

**BHTF:** button head thread forming

**CARR:** carriage

**CCW:** counter clockwise

**CW:** clockwise

**DEG:** degrees

**DPA:** Dual Point Adjustment

**ECM:** electronic control module

**EXT:** external

**FH:** flat head

**GA:** gauge

**HD:** heavy-duty

**HF:** hex flange

**HH:** hex head

**HHF:** hex head flange

**HHFTF:** hex head flange thread forming

**HJ:** hex jam

**HLH:** hex lag head

**HOC:** height-of-cut

**HSBH:** hex socket button head

**HSFH:** hex socket flat head

**HSH:** hex socket head

**HWH:** hex washer head

**HWHTF:** hex washer head thread forming

**HYD:** hydraulic

**LH:** left hand

**LP:** Liquid Propane

**NI:** nylon insert

**NPTF:** national pipe thread fine

**PFH:** phillips flat head

**PPH:** phillips pan head

**PPHTF:** phillips pan head thread forming

**PRH:** phillips round head

**PTH:** phillips truss head

**PTO:** power-take-off

**RH:** right hand

**ROPS:** roll-over protection system

**RRB:** rear roller brush

**SFH:** slotted fillister head

**SHH:** slotted hex head

**SHWH:** slotted hex washer head

**SPH:** slotted pan head

**SQH:** square head

**SRH:** slotted round head

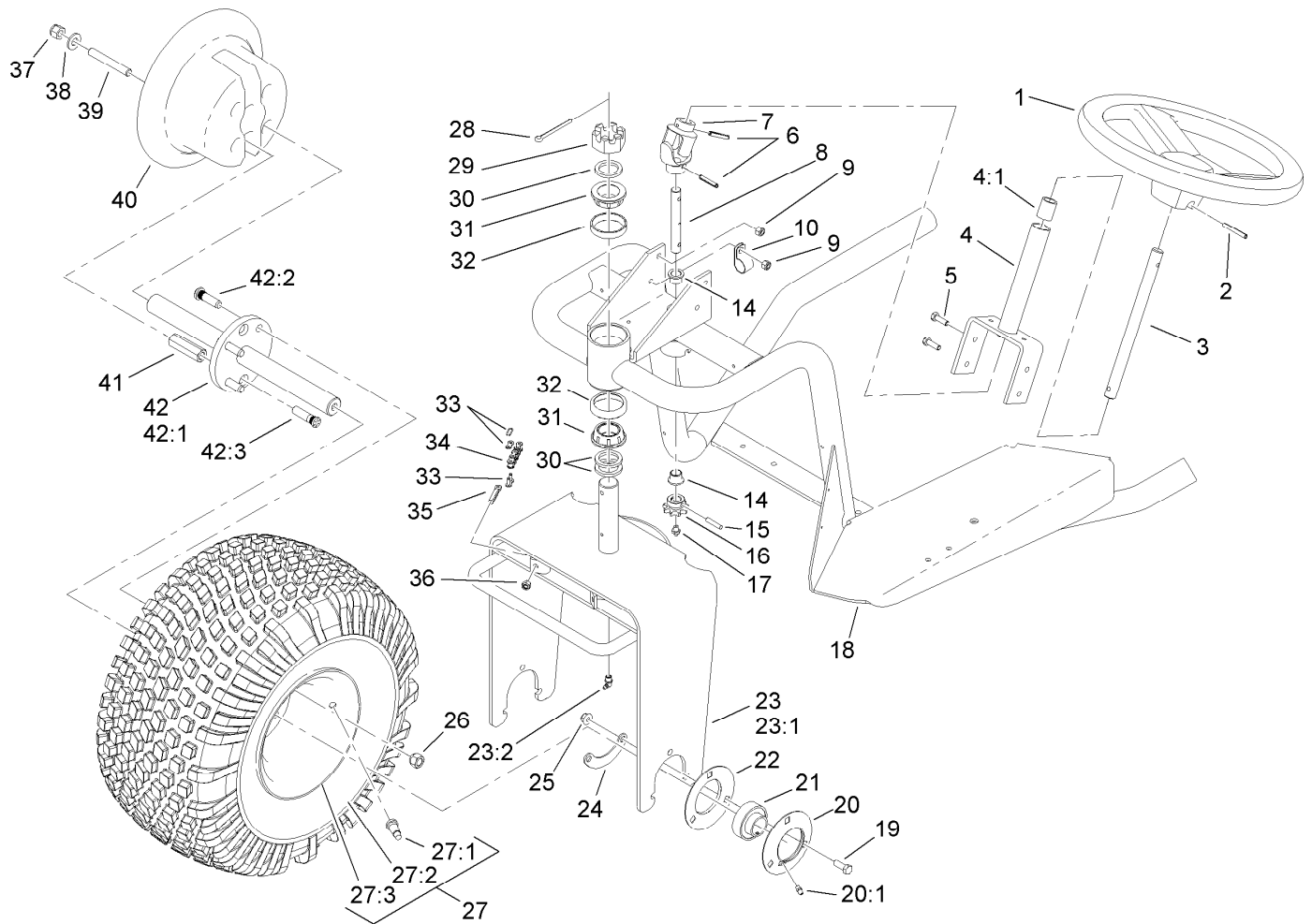
**STD:** standard

**TAP:** self tapping

**TTH:** torx truss head

# Contents

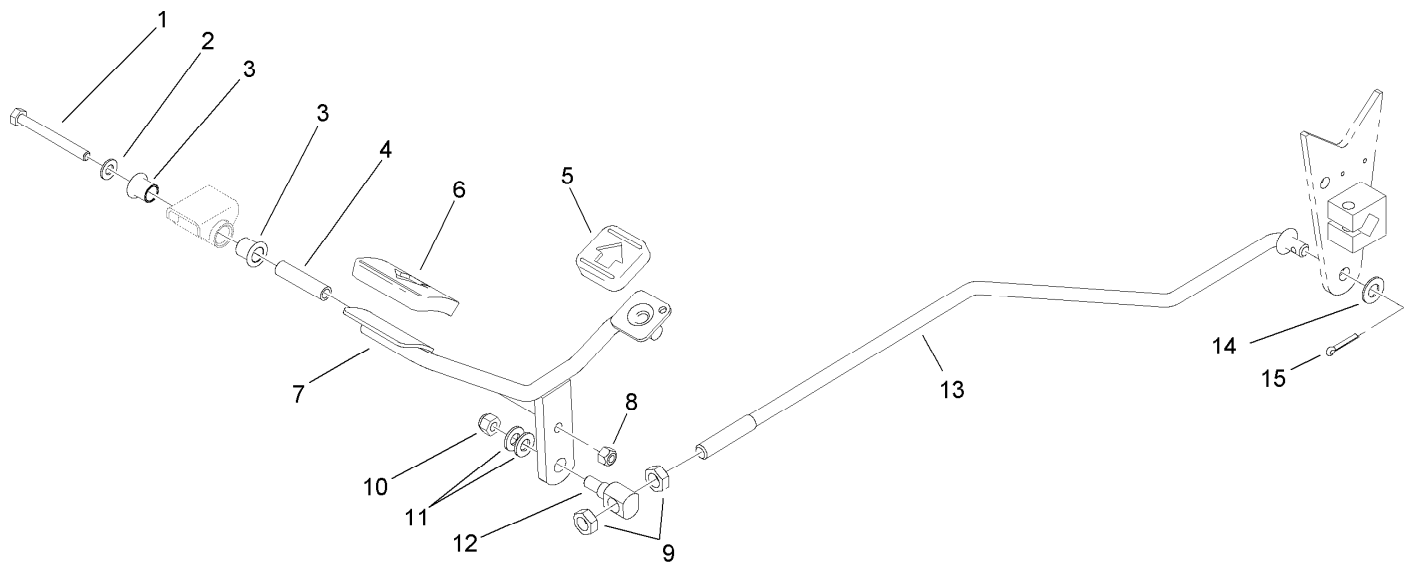
Front Wheel and Steering Assembly . . . . .	4
Traction Pedal Assembly . . . . .	5
Pump Control Lever Assembly . . . . .	6
Hydraulic Pump Installation Assembly . . . . .	7
Variable Hydraulic Piston Pump Assembly No. 114-0613 . . . . .	8
Rear Wheel Drive Assembly . . . . .	10
Hydraulic Cylinder Assembly No. 83-7000 . . . . .	11
Hydraulic Motor Assembly No. 75-9831 . . . . .	12
Hydraulic Motor Assembly No. 75-9840 . . . . .	13
Seat Assembly . . . . .	14
Fuel Tank Assembly . . . . .	15
Engine Installation Assembly . . . . .	16
Dash Panel Assembly . . . . .	17
Shroud, Relay, Air Cleaner and Oil Cooler Assembly . . . . .	18
Air Cleaner Assembly No. 95-5805 . . . . .	19
Hydraulic Oil Reservoir and Filter Assembly . . . . .	20
Lift Valve Installation Assembly . . . . .	21
Valve Assembly No. 43-1710 . . . . .	22
Brake Installation Assembly . . . . .	23
Brake Assembly No. 104-7705 . . . . .	24
Cylinder Assembly Briggs and Stratton 305447-0203-E1 . . . . .	25
Crankcase Assembly Briggs and Stratton 305447-0203-E1 . . . . .	26
Crankshaft Assembly Briggs and Stratton 305447-0203-E1 . . . . .	27
Cylinder Head Assembly Briggs and Stratton 305447-0203-E1 . . . . .	28
Oil Filter, Tube and Pump Assembly Briggs and Stratton 305447-0203-E1 . . . . .	29
Carburetor Assembly Briggs and Stratton 305447-0203-E1 . . . . .	30
Governor Assembly Briggs and Stratton 305447-0203-E1 . . . . .	31
Flywheel Assembly Briggs and Stratton 305447-0203-E1 . . . . .	32
Blower Housing Assembly Briggs and Stratton 305447-0203-E1 . . . . .	34
Starter Assembly Briggs and Stratton 305447-0203-E1 . . . . .	35
358 Engine Gasket Set Briggs and Stratton 305447-0203-E1 . . . . .	36
1095 Valve Gasket Set and 121 Carburetor Overhaul Kit Briggs and Stratton 305447-0203-E1 . . . . .	37
Attachments and Accessories . . . . .	38



## Front Wheel and Steering Assembly

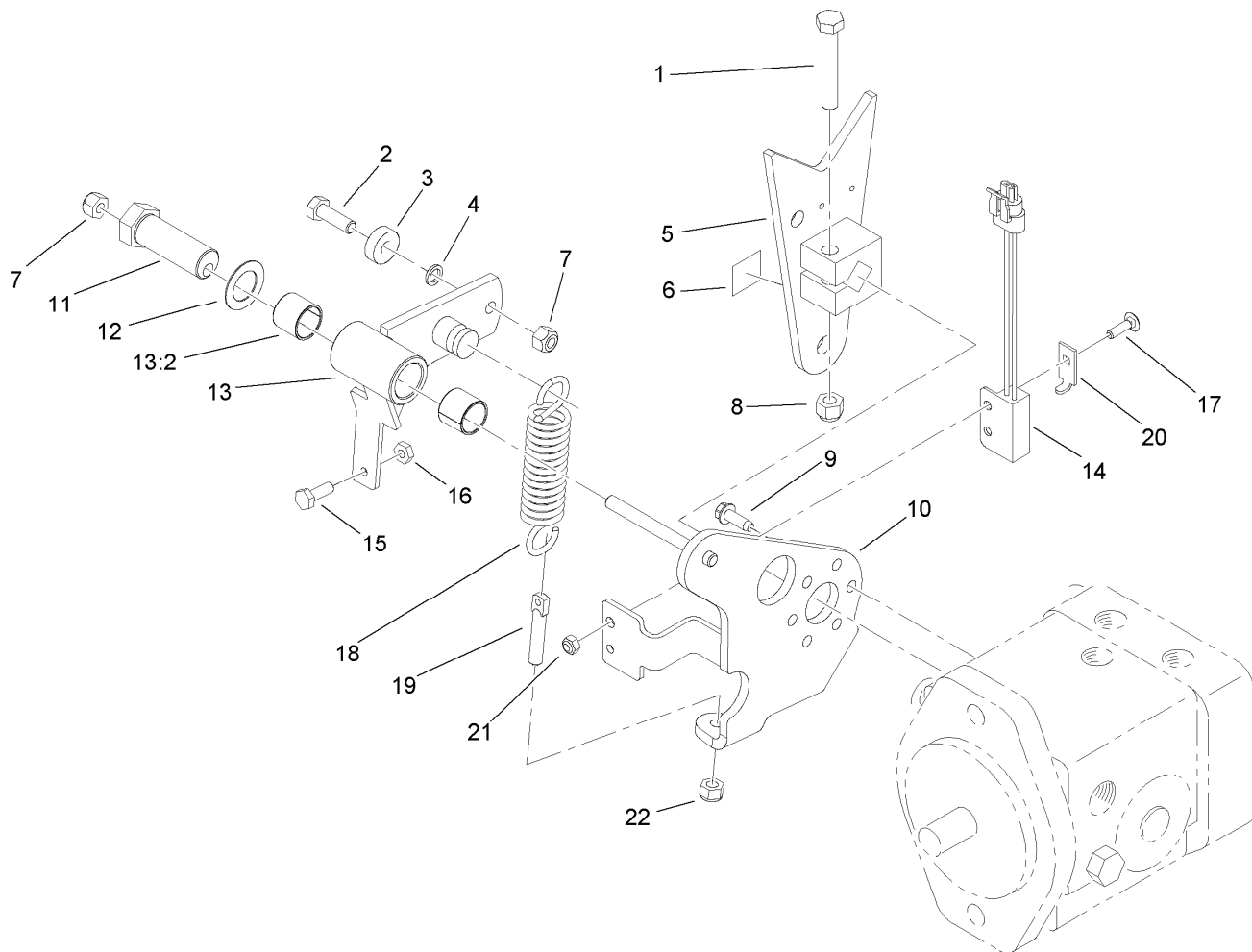
Ref.	Part Number	Qty.	Description	Ref.	Part Number	Qty.	Description
1	76-1420	1	Wheel-Steering	25	104-8301	6	Nut-Flange, NI
2	32121-111	1	Pin-Roll	26	242-50	4	Nut-Lug
3	85-6610	1	Shaft-Steering	27		1	Wheel And Tire ASM ●
4	92-5035	1	Steering Post ASM	27:1	232-35	1	Valve Stem And Cap ASM
4:1	256-185	1	Bushing	27:2	85-8290	1	Tire-2Ply, Knobby
5	322-5	4	Screw-HH	27:3	94-6116	1	Wheel-Rear
6	32121-15	2	Pin-Roll	28	3272-37	1	Pin-Cotter
7	85-9200	1	Knuckle-Steering	29	32136-9	1	Nut-Hex, Slotted
8	98-0928	1	Shaft-Steering, Lower	30	18-6320	3	Washer-Steering
9	3296-29	4	Nut-Lock, NI	31	254-70	2	Bearing-Cone
10	2412-41	2	Clamp	32	254-61	2	Cup-Bearing
14	65-8770	2	Bushing-Bellcrank	33	2710-11	2	Link-Chain
15	98-0973	1	Pin-Grooved	34	92-5039	1	Chain-Steering
16	85-9180	1	Sprocket-Steering	35	18-6380	2	Pin-Adjustment, Steering
17	302-2	1	Fitting-Grease	36	3296-4	2	Nut-Lock
18	95-0600-01	1	Frame ASM	37	3296-19	2	Nut-Hex
19	323-6	6	Screw-HH	38	87-7270	2	Washer-Thrust
20	85-8940	2	Flangette-Relube	39	112-7659	2	Stud
20:1	302-5	1	Fitting-Grease	40	112-7641-03	1	Weight-Wheel
21	251-352	2	Bearing	41	112-7661	2	Nut-Hex
22	85-8950	2	Flangette-Standard	42		1	Front Axle ASM ●
23		1	Fork ASM ●	42:1	112-7673	1	Axle Shaft ASM
23:1	112-7670-01	1	Offset Fork ASM	42:2	10-6830	4	Stud-Type, Drive
23:2	302-33	1	Fitting-Grease	42:3	108-7662	2	Screw-Lug
24	112-7671	2	Flange-Keeper				

● Not serviced separately



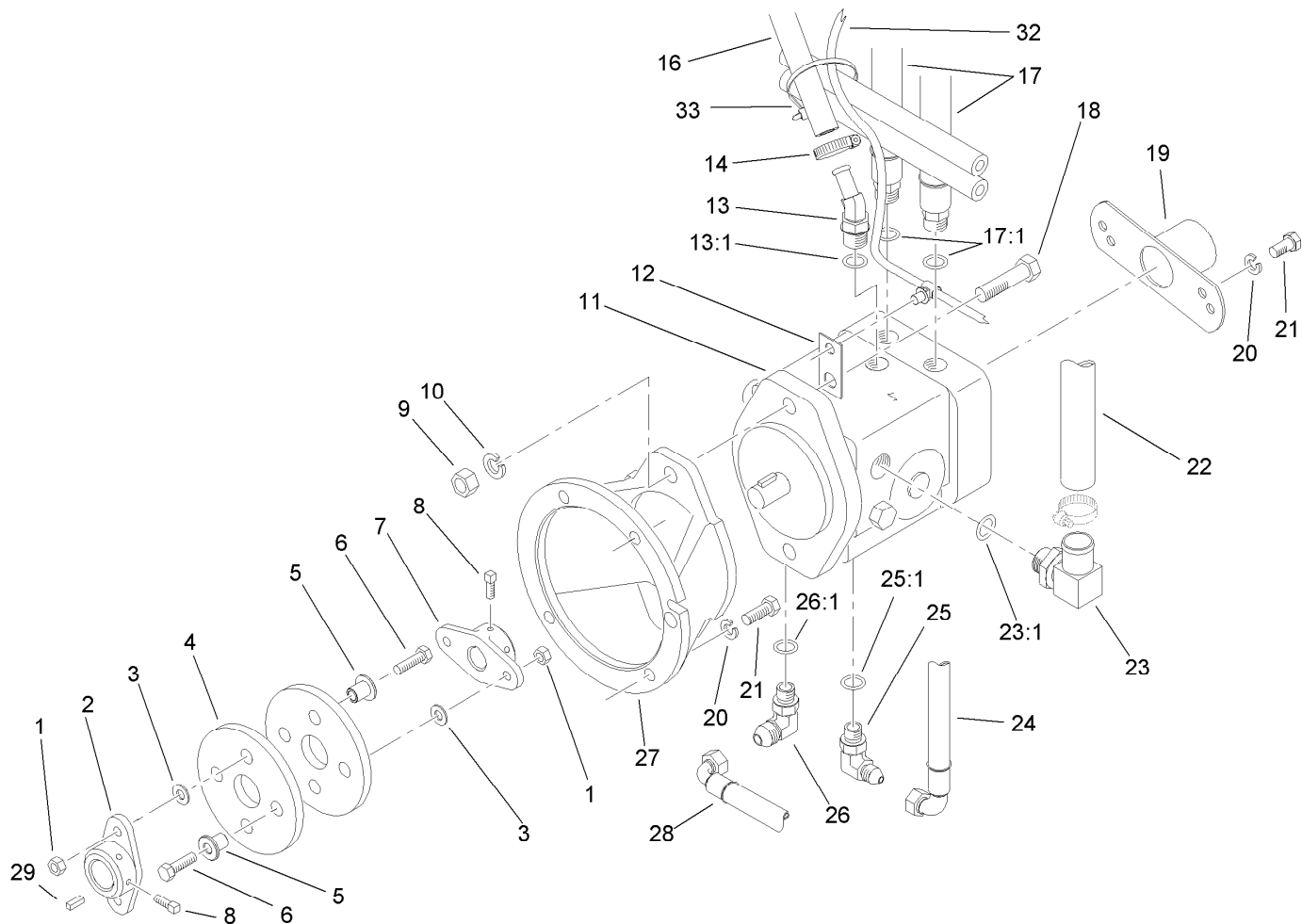
## Traction Pedal Assembly

<i>Ref.</i>	<i>Part Number</i>	<i>Qty.</i>	<i>Description</i>
1	322-14	1	Screw-HH
2	3256-23	1	Washer-Flat
3	256-219	2	Bushing
4	85-8960	1	Spacer
5	74-9110	1	Pad-Pedal, Reverse
6	74-9100	1	Pad-Pedal, Forward
7	92-2343-01	1	Pedal ASM
8	3296-29	1	Nut-Lock, NI
9	3218-5	2	Nut-Jam
10	3296-39	1	Nut-Lock, NI
11	3256-24	2	Washer-Flat
12	92-2344	1	Trunion
13	95-0584	1	Rod-Control
14	3256-25	1	Washer-Flat
15	3272-16	1	Pin-Cotter



## Pump Control Lever Assembly

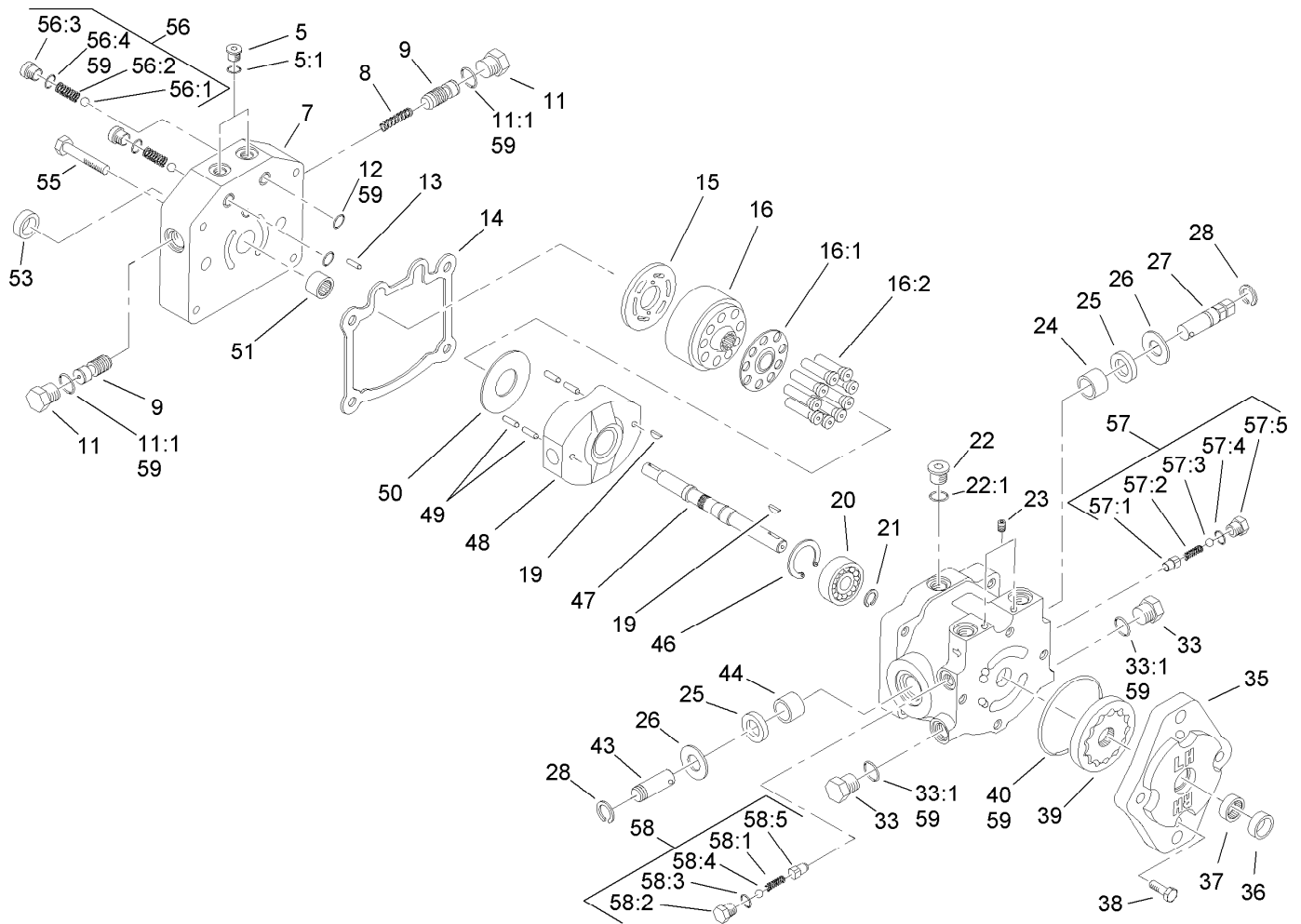
Ref.	Part Number	Qty.	Description
1	323-11	1	Screw-HH
2	322-5	1	Screw-HH
3	251-307	1	Bearing-Ball
4	75-5470	1	Spacer-Bearing
5	85-8300-03	1	Pump Lever ASM
6	93-9051	1	Decal-Bolt, Eccentric
7	3296-29	2	Nut-Lock, NI
8	3296-39	1	Nut-Lock, NI
9	49-2040	3	Screw-HWHTF
10	108-5490-03	1	Pump Plate ASM
11	76-8640	1	Stud-Traction
12	3-6498	1	Washer-Thrust
13	108-5493	1	Arm ASM
13:2	94-9609	2	Bushing-Straight
14	105-0023	1	Switch-Proximity
15	321-4	1	Screw-HH
16	3218-1	1	Nut-Jam
17	3229-20	1	Screw-CARR
18	85-9030	1	Spring-Extension
19	18-6380	1	Pin-Adjustment, Steering
20	100-4872	1	Plate-Switch, Neutral
21	3296-2	1	Nut-Lock, NI
22	3296-4	1	Nut-Lock



## Hydraulic Pump Installation Assembly

Ref.	Part Number	Qty.	Description
1	3296-29	4	Nut-Lock, NI
2	110-5236	1	Hub-Engine
3	3256-23	4	Washer-Flat
4	80-8650	2	Coupling-Drive
5	71-4411	4	Spacer
6	322-7	4	Screw-HH
7	110-9695	1	Hub-Pump
8	3241-5	4	Screw-Set
9	3217-9	2	Nut-HH
10	3253-7	2	Washer-Lock
11	114-0613	1	Var HYD Piston Pump ASM
12	112-7639	1	Stand Off-Wire
13	354-126	1	Fitting-HYD, 45 DEG
13:1	237-79	1	O-Ring
14	2412-36	1	Clamp-Hose
16	98-8153	1	Hose-Return
17	95-0595	2	Hose-HYD
17:1	237-79	1	O-Ring

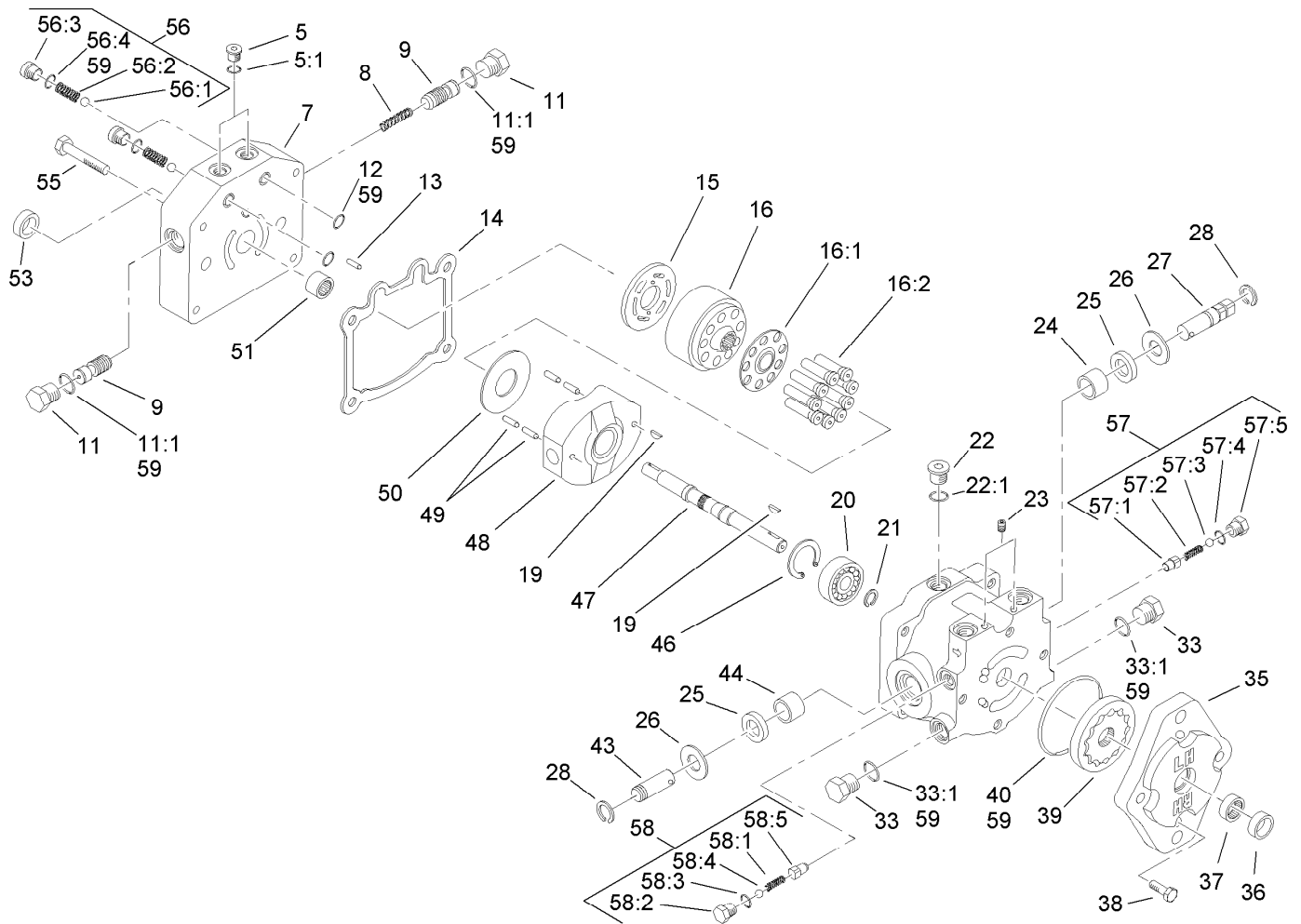
Ref.	Part Number	Qty.	Description
18	325-7	2	Screw-HH
19	95-0632-03	1	Cover ASM
20	3253-5	6	Washer-Lock
21	323-6	6	Screw-HH
22	95-0555	1	Hose-Suction
23	87-8170	1	Fitting
23:1	237-80	1	O-Ring
24	95-0592	1	Hose ASM
25	353-374	1	Elbow-90 DEG
25:1	237-42	1	O-Ring
26	353-511	1	Fitting-HYD, 90 DEG
26:1	237-42	1	O-Ring
27	95-0631-03	1	Mount-Pump
28	95-0591	1	Hose-HYD
29	13-2840	1	Key-Square
32	110-7384	1	Harness-Wire
33	3290-379	6	Tie-Cable



## Variable Hydraulic Piston Pump Assembly No. 114-0613

Ref.	Part Number	Qty.	Description	Ref.	Part Number	Qty.	Description
5	92-8776	2	Plug-HSH	28	32151-46	2	Ring-Retaining
5:1	92-8777	1	O-Ring	33	88-8210	2	Plug
7	112-7656	1	Cap-End	33:1	237-80	1	O-Ring
8	25-2610	1	Spring-Valve	35	25-2690	1	Housing-Pump, Charge
9	95-5814	2	Valve-Acceleration	36	67-8060	1	Seal-Lip
11	28-3440	1	Plug-Threaded	37	67-8050	1	Bearing-Needle
11:1	75-0240	1	O-Ring	38	322-4	4	Screw-HH
12	112-7652	2	O-Ring	39	95-5812	1	Gerotor ASM
13	25-2430	1	Pin-Dowel	40	237-95	1	O-Ring
14	25-2400	1	Gasket	43	25-2500	1	Shaft-Trunnion
15	95-5811	1	Plate-Valve	44	252-82	1	Bearing-Needle
16	48-1800	1	Cylinder Block Kit	46	32151-75	1	Ring-Retaining
16:1		1	Retainer-Slipper ●	47	95-5810	1	Shaft
16:2		9	Piston ASM ●	48	25-2450	1	Plate-Swash, Variable
19	3257-32	2	Key-Woodruff	49	32121-91	4	Pin-Spring
20	95-5809	1	Bearing-Ball	50	25-2380	1	Plate-Thrust
21	94-3996	1	Ring-Retaining	51	46-8400	1	Bearing-Shaft
22	353-988	1	Plug-Hex	53	88-8230	1	Seal-Lip
22:1	237-79	1	O-Ring	55	323-45	1	Screw-HH
23	285-17	2	Plug-Pipe	56	99-5689	1	Check Valve Kit
24	88-8190	1	Bearing-Journal	56:1	25-2490	1	Ball
25	25-3210	2	Seal-Lip	56:2	25-2640	1	Spring-Valve
26	25-2510	2	Washer-Flat	56:3	25-2650	1	Plug-Valve, Check
27	88-8180	1	Shaft-Trunnion	56:4	237-86	1	O-Ring

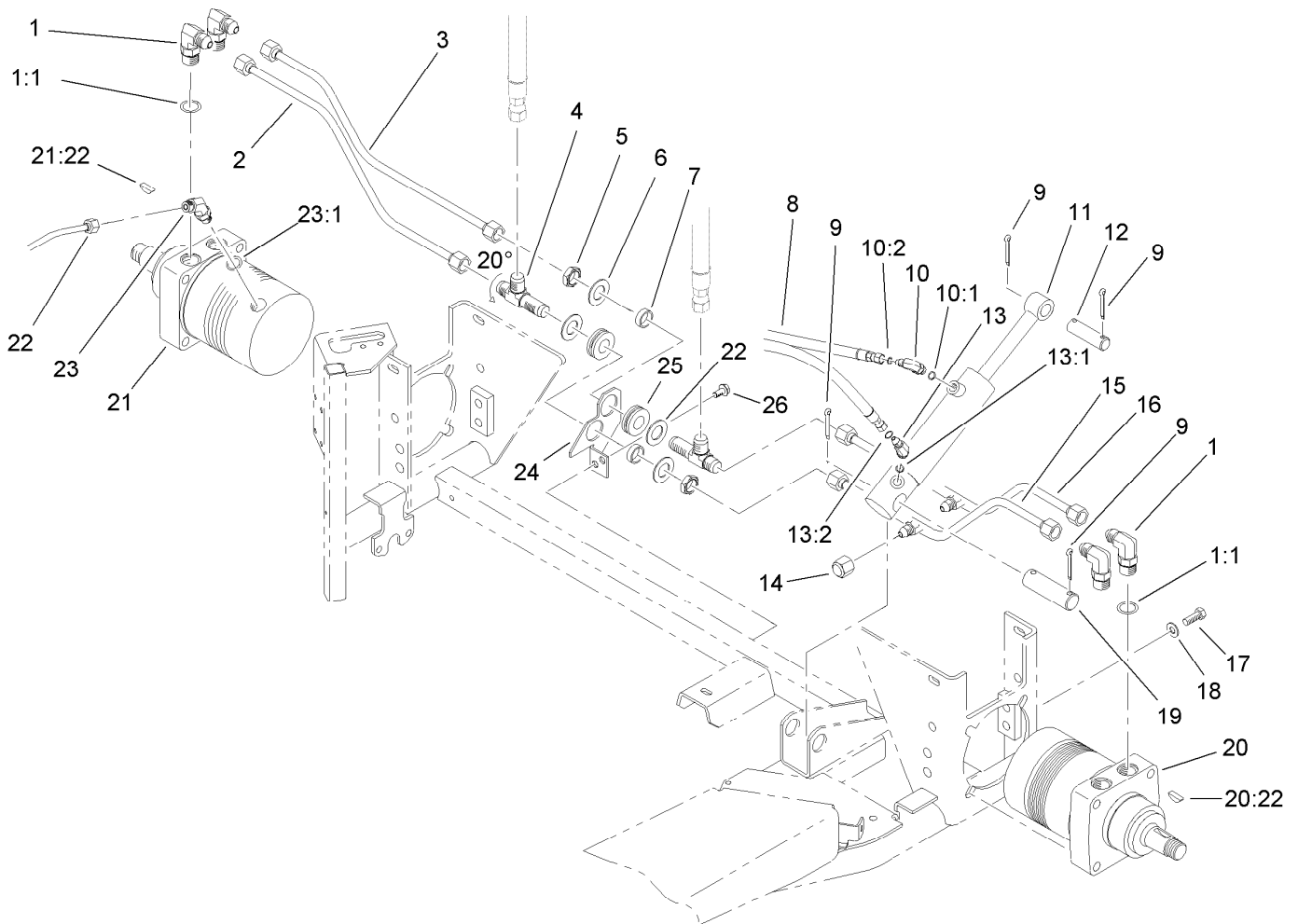
● Not serviced separately



## Variable Hydraulic Piston Pump Assembly No. 114-0613 (continued)

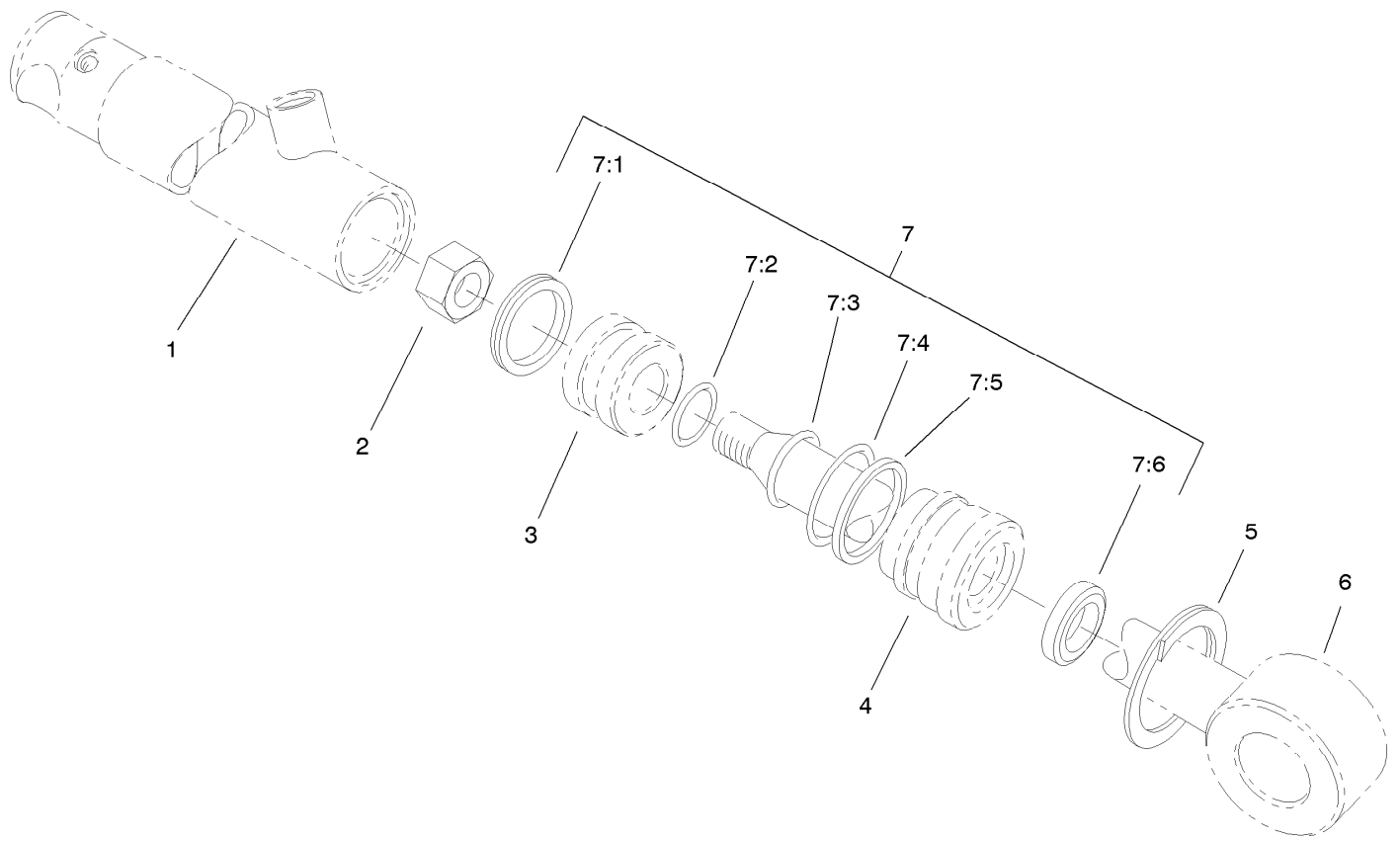
<i>Ref.</i>	<i>Part Number</i>	<i>Qty.</i>	<i>Description</i>	<i>Ref.</i>	<i>Part Number</i>	<i>Qty.</i>	<i>Description</i>
57	49-8520	1	Implement Relief Kit	58:1	25-2480	1	Spring-Valve
57:1	83-7260	1	Cone-Relief, Charge	58:2	25-2460	1	Plug-HH
57:2	25-2570	1	Spring-Valve	58:3	237-86	1	O-Ring
57:3	25-2470	1	Pack-Shim	58:4	25-2470	1	Pack-Shim
57:4	237-86	1	O-Ring	58:5	83-7260	1	Cone-Relief, Charge
57:5	25-2460	1	Plug-HH	59	114-0618	1	Kit-Seal
58	49-8510	1	Valve Kit				

● Not serviced separately



## Rear Wheel Drive Assembly

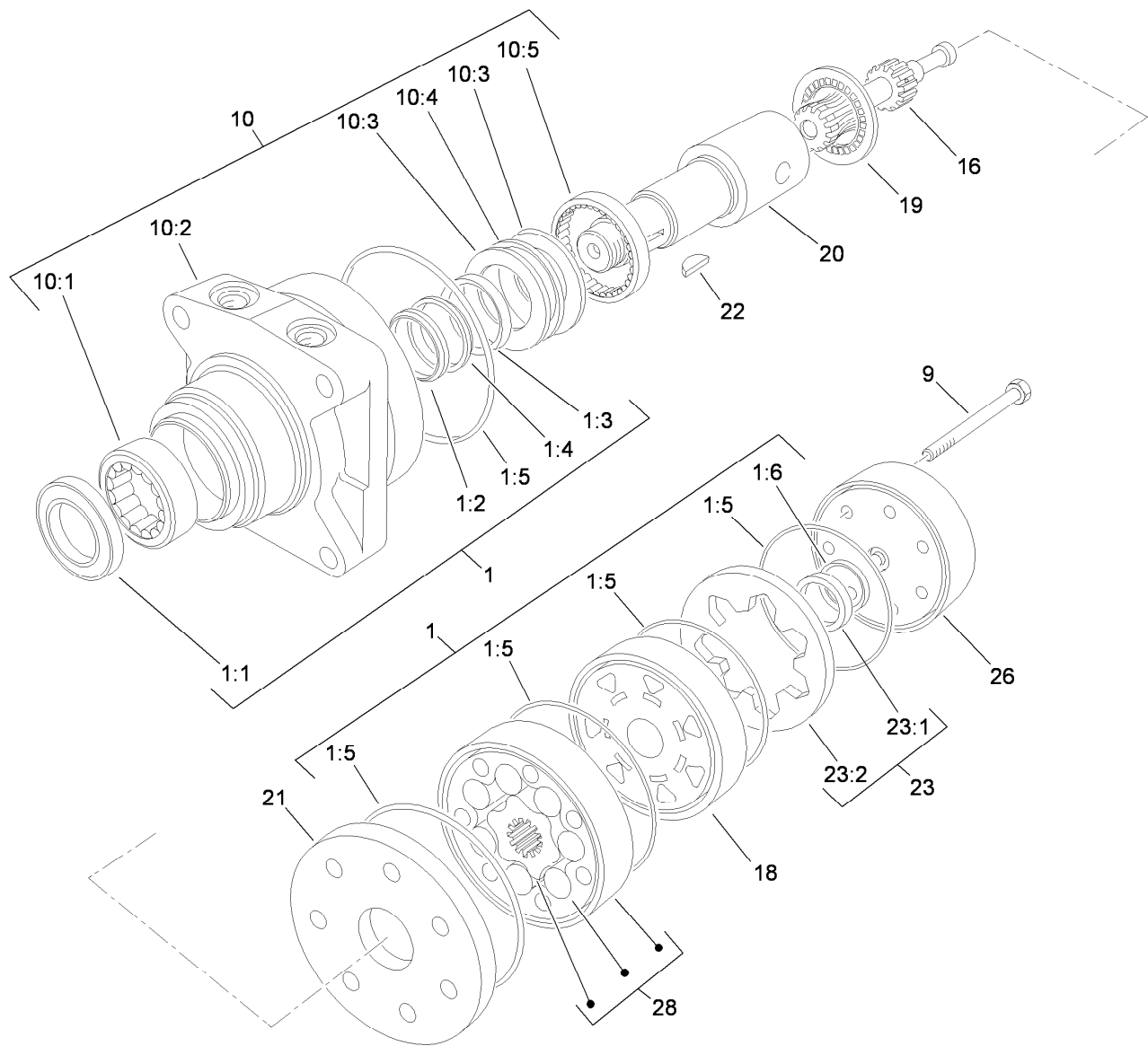
<i>Ref.</i>	<i>Part Number</i>	<i>Qty.</i>	<i>Description</i>	<i>Ref.</i>	<i>Part Number</i>	<i>Qty.</i>	<i>Description</i>
1	353-426	4	Fitting-90 DEG	13:2	237-21	1	O-Ring
1:1	237-80	1	O-Ring	14	95-0594	2	Fitting-Cap
2	95-0564	1	Tube-RH, Front	15	95-0560	1	Tube-LH, Front
3	95-0559	1	Tube-RH, Rear	16	95-0567	1	Tube-LH, Rear
4	95-0577	2	Fitting-Bulkhead	17	325-5	4	Screw-HH
5	95-0642	2	Locknut-Bulkhead	18	3256-26	4	Washer-Flat
6	69-8930	4	Washer	19	18-7160	1	Pin-Cylinder
7	69-8960	2	Spacer	20	75-9831	1	HYD Motor ASM
8	75-6200	2	Hose	20:22	3257-42	1	Key-Woodruff
9	3272-23	4	Pin-Cotter	21	75-9840	1	HYD Motor ASM
10	340-132	1	Fitting-HYD, 90 DEG	21:22	3257-42	1	Key-Woodruff
10:1	237-78	1	O-Ring	22	95-0575	1	Tube-Valve, Shuttle
10:2	237-21	1	O-Ring	23	353-212	1	Fitting-HYD, 45 DEG
11	83-7000	1	HYD Cylinder ASM	23:1	237-42	1	O-Ring
12	18-7310	1	Pin-Cylinder	24	95-0568-01	1	Bracket-Bulkhead
13	340-103	1	Fitting-HYD, 45 DEG	25	240-5	2	Grommet-Rubber
13:1	237-78	1	O-Ring	26	32144-14	2	Screw-HWHTF



## Hydraulic Cylinder Assembly No. 83-7000

<i>Ref.</i>	<i>Part Number</i>	<i>Qty.</i>	<i>Description</i>
1		1	Barrel ASM ●
2	32152-10	1	Locknut
3		1	Piston ●
4		1	Head ●
5	43-5220	1	Ring-Retaining
6		1	Shaft W/Clevis ●
7	86-5360	1	Seal Repair Kit
7:1		1	Uniring-Grooved ●
7:2		1	O-Ring ●
7:3		1	O-Ring ●
7:4		1	O-Ring ●
7:5		1	Back-Up ●
7:6		1	Seal-Dust ●

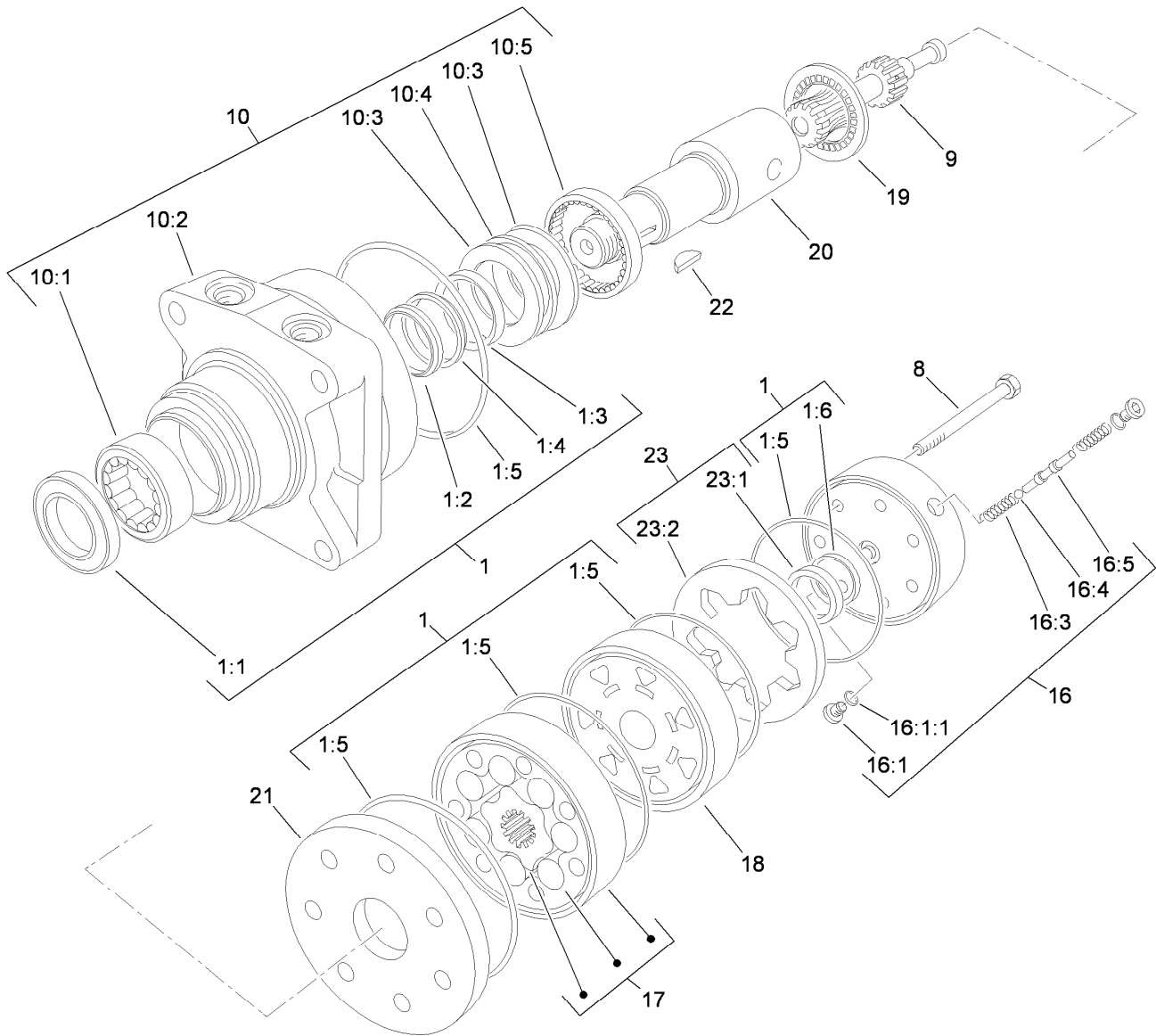
● Not serviced separately



## Hydraulic Motor Assembly No. 75-9831

Ref.	Part Number	Qty.	Description	Ref.	Part Number	Qty.	Description
1	94-8178	1	Seal Kit	10:5		1	Bearing ●
1:1		1	Seal-Dirt And Water ●	16	76-0820	1	Line-Drive
1:2		1	Backup-Ring ●	18	76-0840	1	Manifold
1:3		1	Seal-Shaft ●	19	76-0850	1	Bearing-Thrust
1:4		1	Washer-Backup ●	20	76-0860	1	Shaft-Coupling
1:5		5	Seal-Square, Ring (Inner) ●	21	76-0870	1	Plate-Wear
1:6		1	Seal-Commutator ●	22	3257-42	1	Key-Woodruff
9	76-1020	7	Screw-Cap, HH	23	76-0880	1	Commutator ASM
10	76-0810	1	Housing ASM	23:1		1	Commutator ●
10:1		1	Bearing ●	23:2		1	Ring-Commutator ●
10:2		1	Housing ●	26	76-0940	1	End Cover ASM
10:3		2	Washer-Thrust ●	28	76-0830	1	Rotor Set
10:4		1	Bearing-Thrust ●				

● Not serviced separately

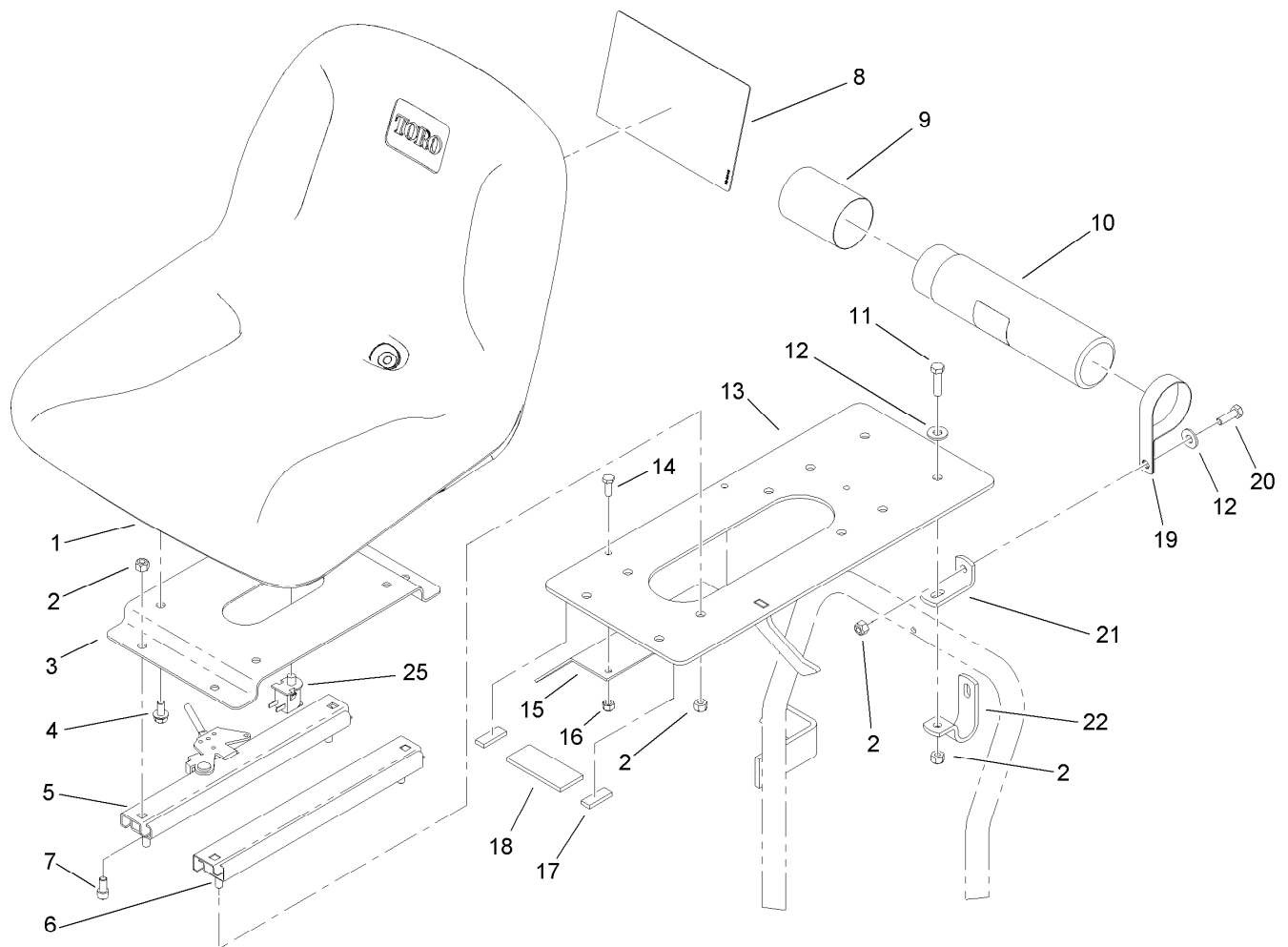


## Hydraulic Motor Assembly No. 75-9840

Ref.	Part Number	Qty.	Description
1	94-8178	1	Seal Kit
1:1		1	Seal-Dirt And Water ●
1:2		1	Backup-Ring ●
1:3		1	Seal-Shaft ●
1:4		1	Washer-Backup ●
1:5		5	Seal-Square, Ring (Inner) ●
1:6		1	Seal-Commutator ●
8	76-1040	7	Screw-Cap, HH
9	76-0820	1	Line-Drive
10	76-0810	1	Housing ASM
10:1		1	Bearing ●
10:2		1	Housing ●
10:3		2	Washer-Thrust ●
10:4		1	Bearing-Thrust ●
10:5		1	Bearing ●

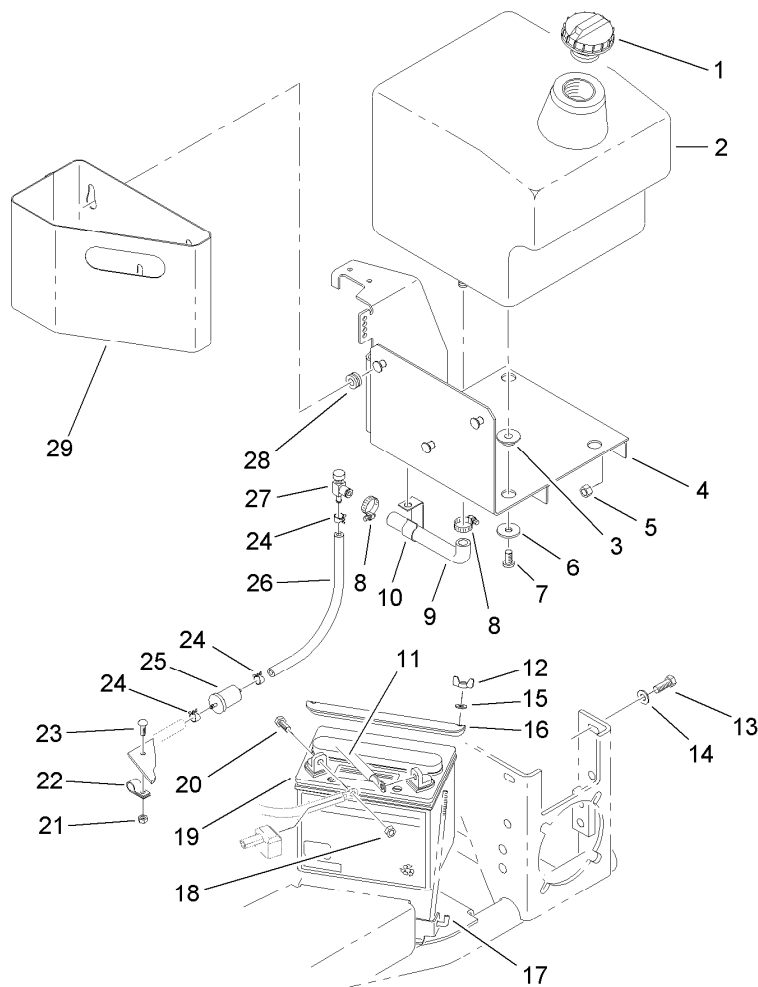
Ref.	Part Number	Qty.	Description
16	76-0890	1	End Cover ASM
16:1	353-990	2	Plug
16:1:1	237-78	1	O-Ring
16:3		2	Spring ●
16:4		1	Ball ●
16:5		1	Valve-Shuttle ●
17	76-0830	1	Rotor Set
18	76-0840	1	Manifold
19	76-0850	1	Bearing-Thrust
20	76-0860	1	Shaft-Coupling
21	76-0870	1	Plate-Wear
22	3257-42	1	Key-Woodruff
23	76-0880	1	Commutator ASM
23:1		1	Commutator ●
23:2		1	Ring-Commutator ●

● Not serviced separately



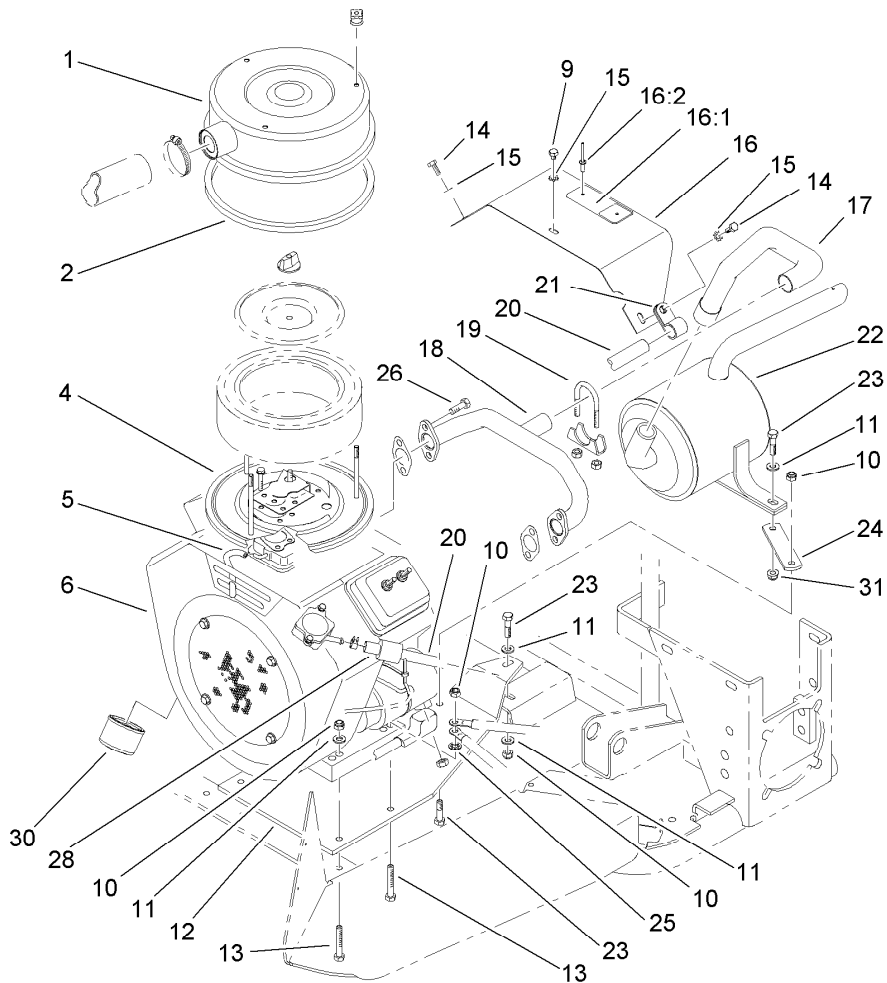
## Seat Assembly

<b>Ref.</b>	<b>Part Number</b>	<b>Qty.</b>	<b>Description</b>
1	108-6878	1	Seat
2	3296-29	12	Nut-Lock, NI
3	110-7374-03	1	Mount-Seat
4	3234-14	4	Screw-HHF
5	51-0790	1	Adjuster-Seat, LH
6	51-0780	1	Slider-Seat
7	3274-12	4	Screw-HSH
8	95-0646	1	Decal-Service
9	104-7048	1	Cap-Housing
10	104-7050	1	Tube-Manual
11	322-6	2	Screw-HH
12	3256-3	4	Washer-Flat
13	112-7682-03	1	Seat Plate ASM
14	321-4	2	Screw-HH
15	95-5840-03	1	Shield-Base, Seat
16	3296-42	2	Nut-Lock, NI
17	74-0340	2	Cushion-Rubber
18	74-0342	1	Cushion-Rubber
19	2412-133	2	R-Clamp
20	322-5	2	Screw-HH
21	92-8973	2	Angle
22	92-8972	2	Clamp-Seat
25	82-2190	1	Switch-Bail



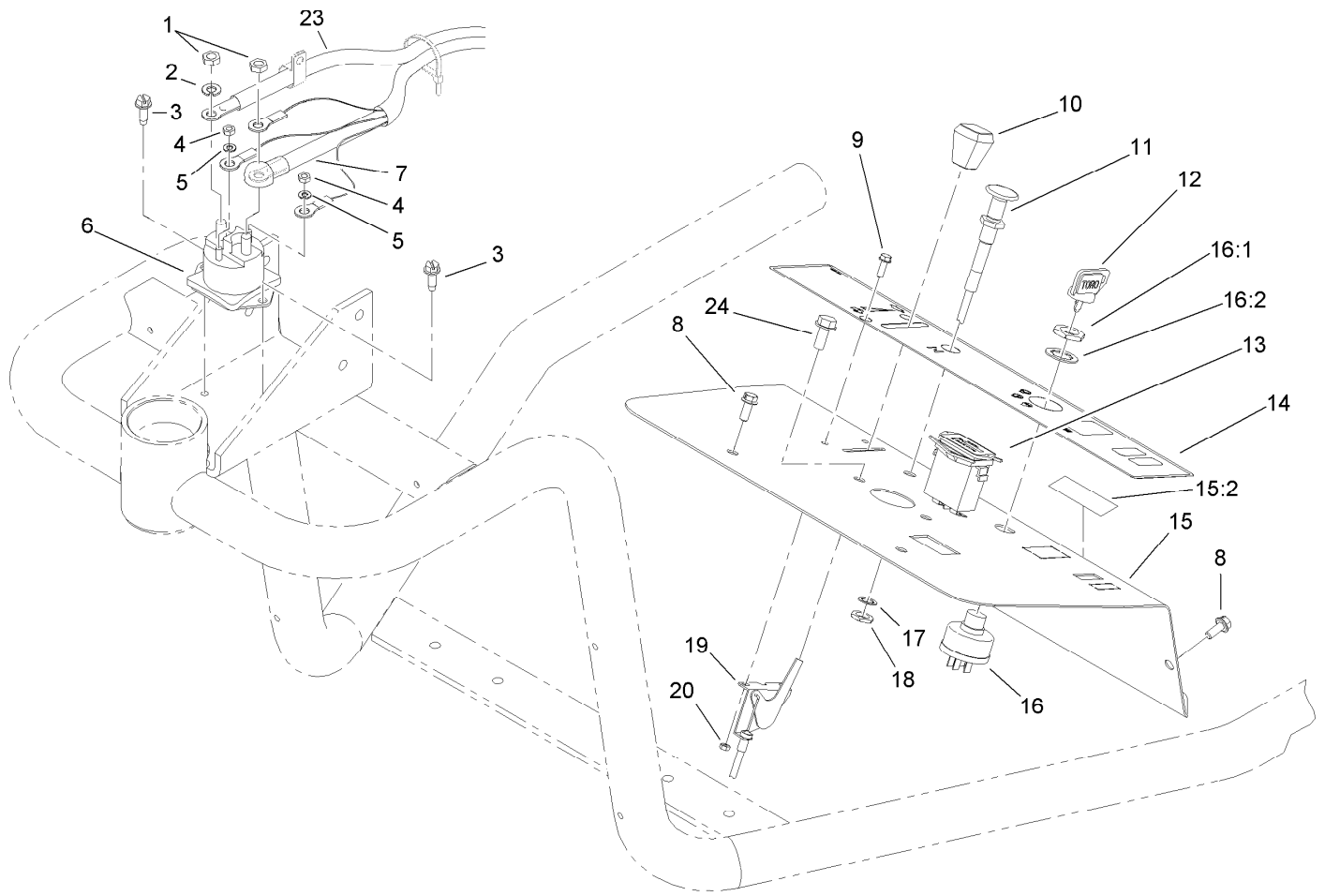
## Fuel Tank Assembly

<i>Ref.</i>	<i>Part Number</i>	<i>Qty.</i>	<i>Description</i>	<i>Ref.</i>	<i>Part Number</i>	<i>Qty.</i>	<i>Description</i>
1	93-7170	1	Cap-Fuel	16	92-5018-03	1	Clamp-Battery
2	92-7186	1	Tank-Fuel	17	100-6435	2	Post-Battery
3	240-11	4	Bushing-Flange	18	3296-29	2	Nut-Lock, NI
4	95-0576-03	1	Base-Tank, Fuel	19	104-8162	1	Battery
5	3296-39	3	Nut-Lock, NI	20	322-3	2	Screw-HH
6	63-8410	4	Washer	21	3296-42	1	Nut-Lock, NI
7	3250-36	4	Screw-PPH	22	2412-73	1	Clamp-R
8	2412-36	2	Clamp-Hose	23	3274-69	1	Screw-HSBH
9	110-8151	1	Hose-Fuel, Formed	24	2412-98	4	Clamp
10	92-7160	1	Clip	25	94-2690	1	Filter-Fuel
11	110-8843	1	Cable-Battery, Negative	26	109-0294	1	Hose-Fuel
12	32103-12	2	Nut-Wing	27	83-1390	1	Valve-Shut-Off, Fuel
13	323-7	3	Screw-HH	28	240-9	3	Grommet
14	3256-24	3	Washer-Flat	29	86-7640-01	1	Box-Litter
15	3256-22	2	Washer-Flat				



## Engine Installation Assembly

<i>Ref.</i>	<i>Part Number</i>	<i>Qty.</i>	<i>Description</i>	<i>Ref.</i>	<i>Part Number</i>	<i>Qty.</i>	<i>Description</i>
1	114-0607-03	1	Air Cleaner Cover ASM	16:2	3269-32	2	Rivet-Pop
2	85-8360	1	Gasket-Ring	17	95-0551	1	Tube-Exhaust
4	85-8430-03	1	Base-Cleaner, Air	18	95-0550	1	Manifold-Exhaust
5	75-4705	1	Hose-Fuel	19	95-0586	2	Clamp ASM
6	114-0605	1	Engine-Briggs & Stratton, 305447-0203-E1	20	109-0302	1	Hose-Fuel
9	33113-008	1	Screw-HH	21	2412-73	1	Clamp-R
10	3296-29	6	Nut-Lock, NI	22	95-0552	1	Muffler
11	3256-23	6	Washer-Flat	23	322-5	3	Screw-HH
12	95-0556-03	1	Base-Engine	24	114-0608	1	Bracket-Muffler
13	322-10	4	Screw-HH	25	3255-8	1	Washer-Lock
14	33113-012	2	Screw-HH	26	94-5300	4	Screw-HHF
15	3255-7	3	Washer-Lock/EXT	28	38-3400	1	Guard-Rubber
16	105-8523	1	Muffler Shield ASM	30	107-7817	1	Filter-Oil
16:1	95-0645	1	Plate-Surface, Hot	31	104-8300	1	Nut-Flange, NI

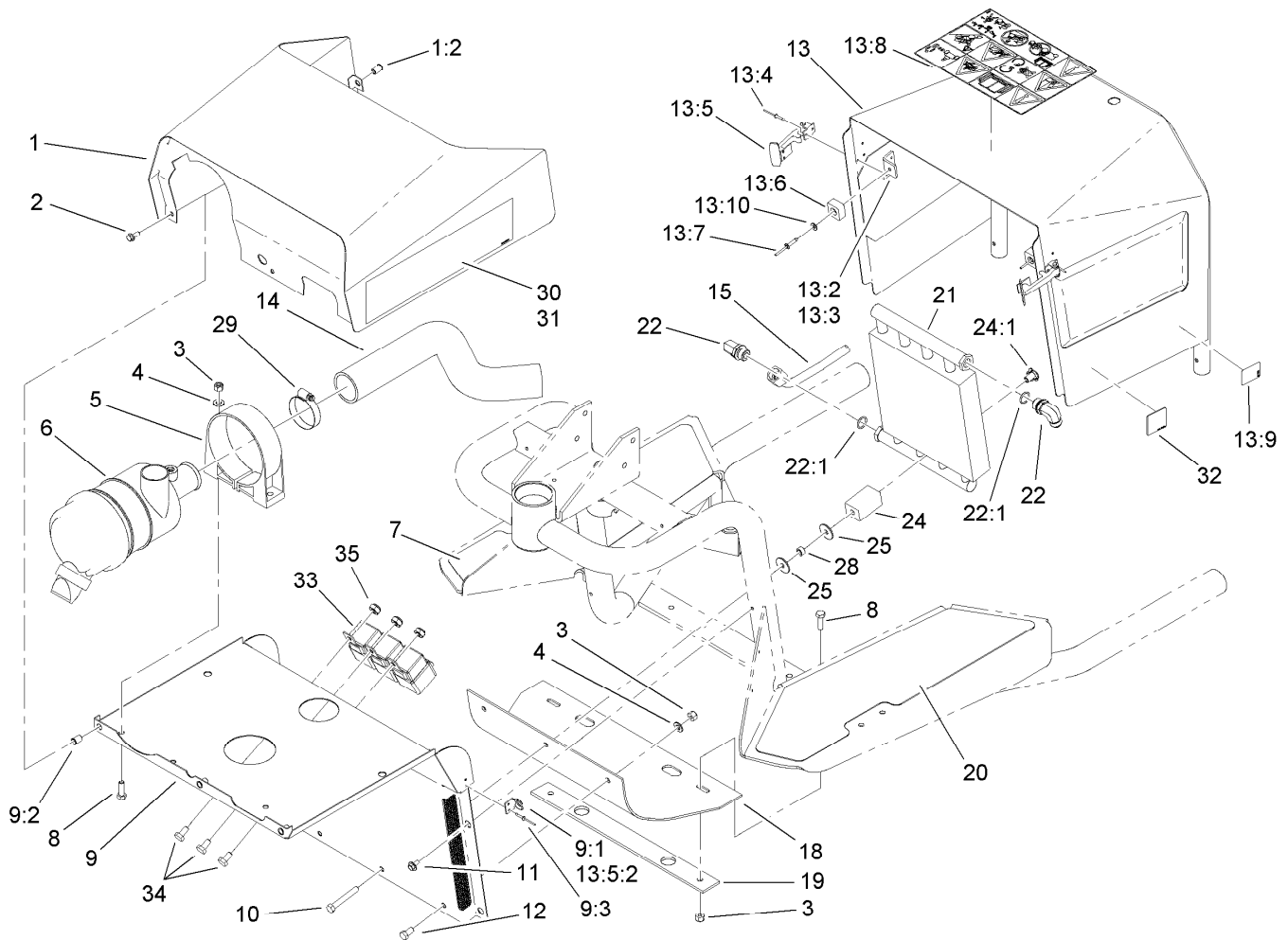


## Dash Panel Assembly

Ref.	Part Number	Qty.	Description
1	3218-13	2	Nut-Jam, Brass
2	3253-4	2	Washer-Lock
3	32104-95	2	Screw-HWH
4	3219-14	2	Nut-Hex
5	3253-17	2	Washer-Lock
6	28-4210	1	Solenoid
7	110-8844	1	Cable-Battery, Positive
8	3234-33	4	Screw-HHF
9	32105-2	2	Screw-SHWH
10	66-0120	1	Knob
11	112-7689	1	Control-Choke
12	63-8360	2	Key-Ignition
13	1-513374	1	Meter-Hour

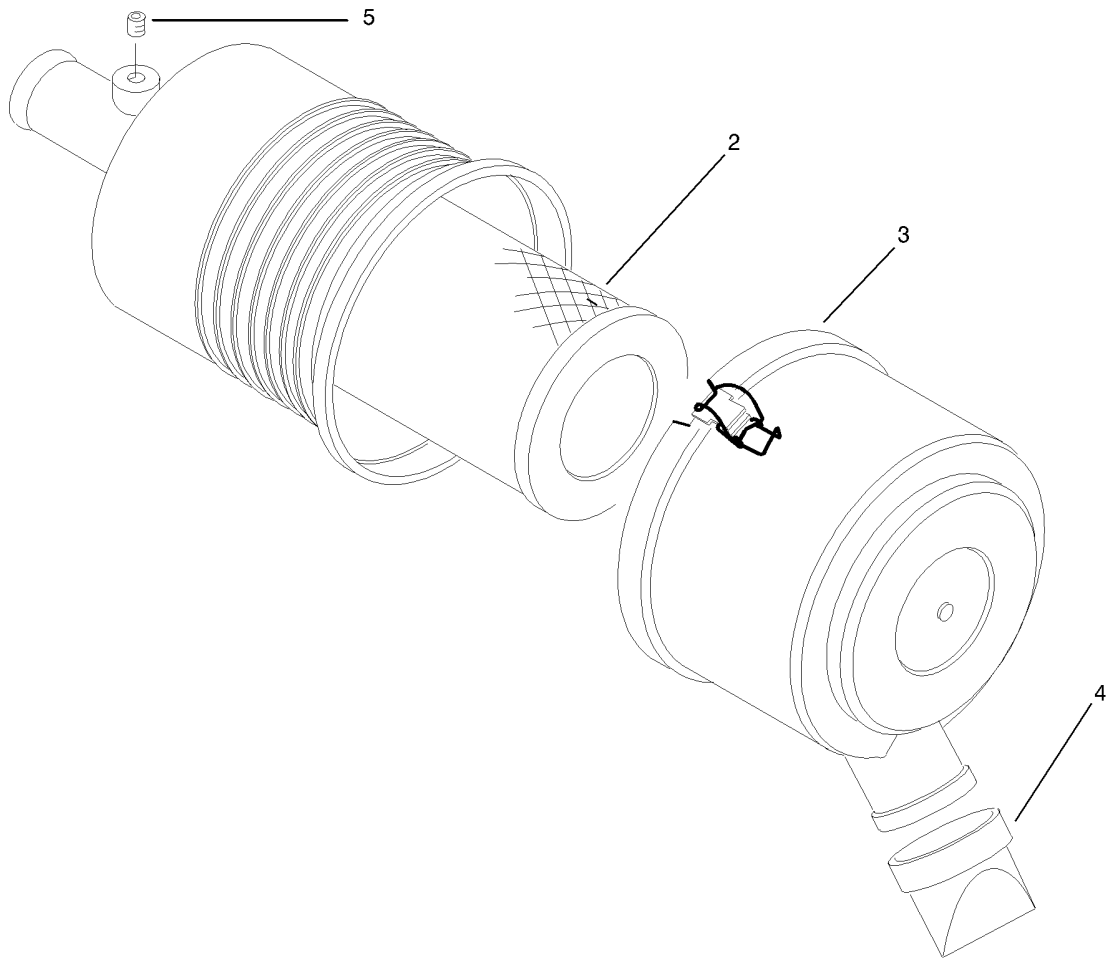
Ref.	Part Number	Qty.	Description
14	112-7629	1	Decal-Dash
15	110-7396	1	Dash Panel ASM
15:2	93-9052	1	Decal-Danger
16	83-0020	1	Switch-Ignition
16:1	218-461	1	Nut-HH
16:2	3254-5	1	Washer-Tooth, Internal
17	3254-6	1	Washer-Lock, Internal
18	3219-3	1	Nut-Hex
19	112-7688	1	Control-Throttle
20	3296-12	2	Nut-Lock, NI
23	95-5825	1	Wire ASM
23:1	83-2430	1	Boot-Terminal ●
24	32144-14	2	Screw-HWHTF

● Not illustrated



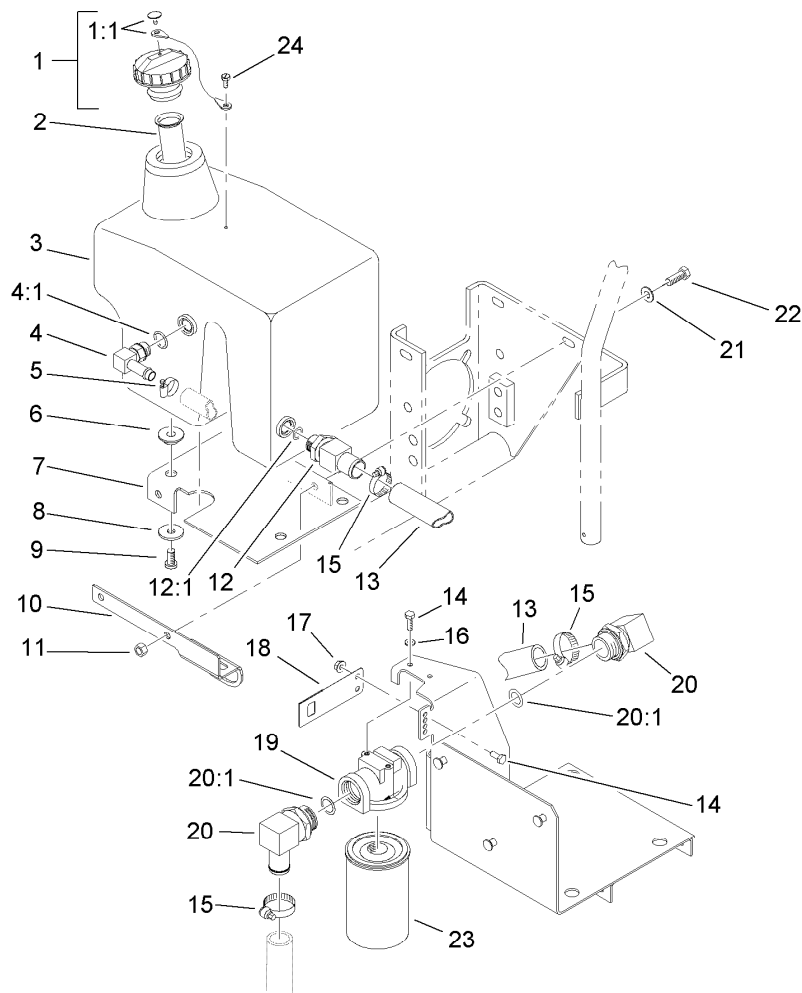
## Shroud, Relay, Air Cleaner and Oil Cooler Assembly

Ref.	Part Number	Qty.	Description	Ref.	Part Number	Qty.	Description
1	99-1644	1	Dash Shroud ASM	13:7	3269-28	2	Rivet-Pop
1:2	32148-6	4	Insert-Nut	13:8	92-8985	1	Decal-Operating
2	3234-33	3	Screw-HHF	13:9	93-7252	1	Decal-Ce Mark
3	3296-29	6	Nut-Lock, NI	13:10	3256-14	2	Washer-Flat
4	3256-23	4	Washer-Flat	14	95-0582	1	Hose-Intake, Air
5	95-5806	1	Bracket-Mounting	15	114-0679	1	Tube-HYD
6	95-5805	1	Air Cleaner ASM	18	95-5826	1	Shield-Rubber
7	92-7158	1	Tread-Floor, RH	19	95-0620-01	1	Strip-Retainer
8	322-5	4	Screw-HH	20	92-7159	1	Tread-Floor, LH
9	95-5817	1	Front Shield ASM	21	92-8997	1	Cooler-Oil
9:1	249-40	2	Keeper	22	353-371	2	Fitting-Elbow-90
9:2	32148-6	3	Insert-Nut	22:1	237-79	1	O-Ring
9:3	3269-8	4	Rivet-Blind	24	85-9550	2	Rubber Clamp ASM
10	322-11	2	Screw-HH	24:1	85-9670	1	T-Nut
11	46-8560	6	Screw-HHFTF	25	3256-82	3	Washer-Flat
12	322-2	2	Screw-HH	28	85-9120	2	Spacer-Pivot, Tilt
13	95-0610	1	Engine Cover ASM	29	2412-92	2	Clamp-Hose
13:2	95-0611	1	Bracket-RH	30	106-8101	2	Decal
13:3	95-0612	1	Bracket-LH	31	106-8102	2	Decal
13:4	3269-8	6	Rivet-Blind	32	105-7872	1	Decal-Europe Noise, 96Db
13:5	59-9740	2	Flex Draw Latch ASM	33	99-7430	3	Relay
13:5:2	249-40	1	Keeper	34	321-2	3	Screw-HH
13:6	94-1392	2	Pad-Rubber	35	3296-16	3	Nut-Lock, NI



## Air Cleaner Assembly No. 95-5805

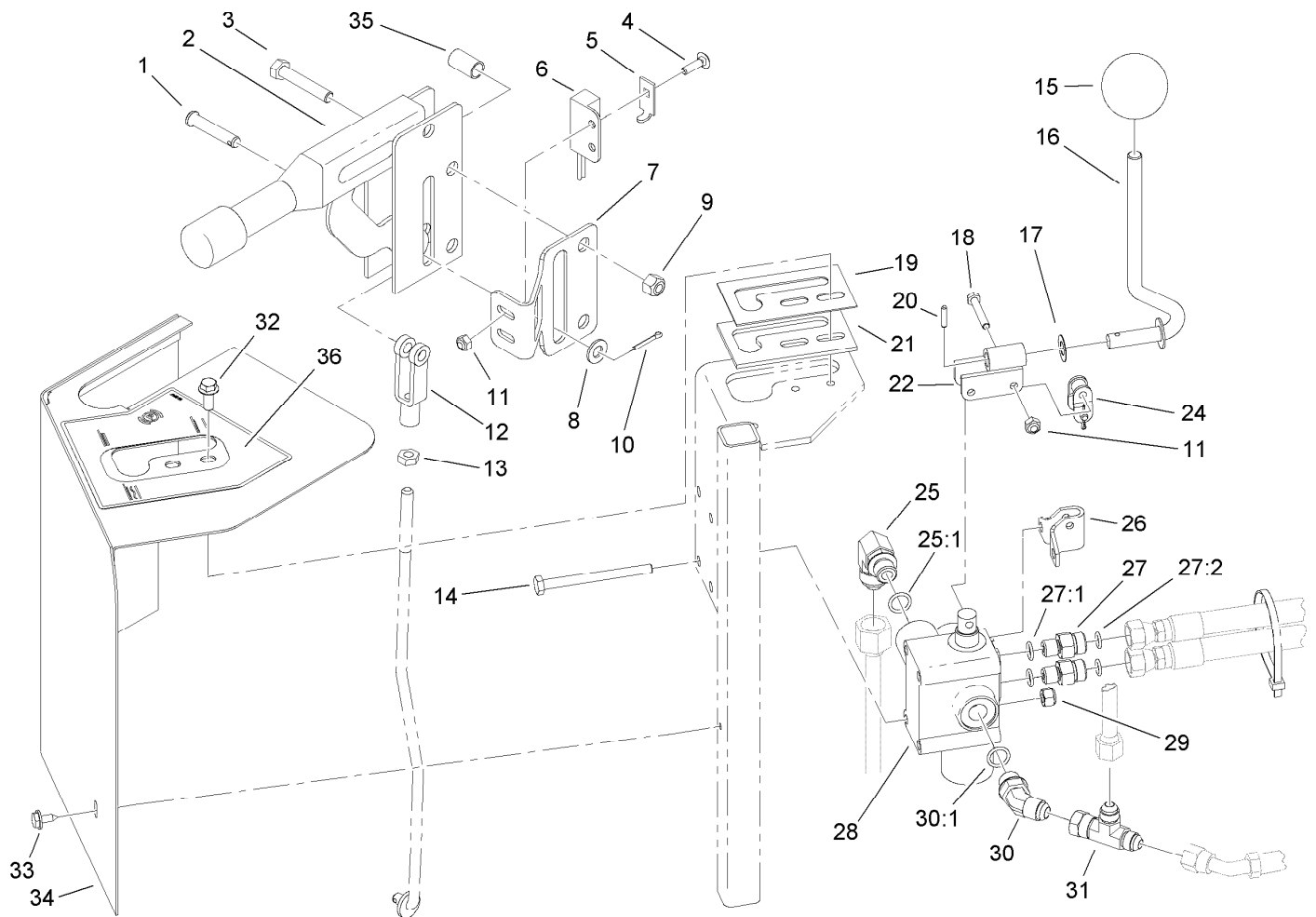
<i>Ref.</i>	<i>Part Number</i>	<i>Qty.</i>	<i>Description</i>
2	108-3811	1	Filter-Air
3	94-3652	1	Cover ASM
4	87-9400	1	Valve-Vacuator
5	285-17	1	Plug-Pipe



## Hydraulic Oil Reservoir and Filter Assembly

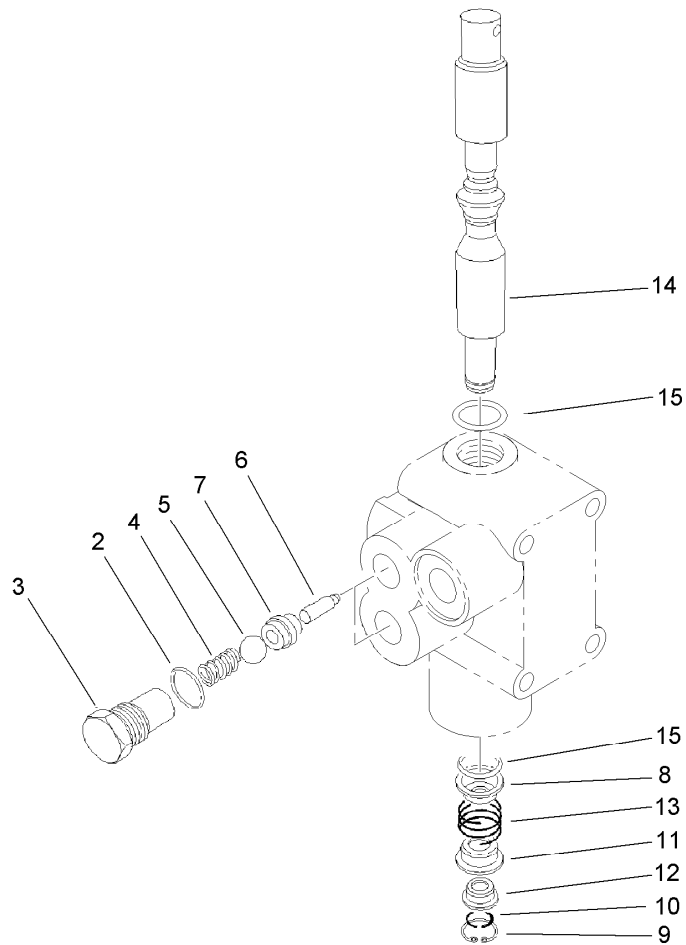
Ref.	Part Number	Qty.	Description
1	93-4365	1	Cap-Oil
1:1	75-0540	1	Tether And Button Kit
2	92-1705	1	Filter-Screen
3	98-0968	1	Tank-HYD
4	354-120	1	Fitting-HYD, 90 DEG
4:1	237-79	1	O-Ring
5	2412-36	1	Clamp-Hose
6	240-11	4	Bushing-Flange
7	95-0590-03	1	Base-Tank, HYD
8	63-8410	3	Washer
9	3250-36	3	Screw-PPH
10	112-7683	1	Shield-Muffler
11	3296-39	3	Nut-Lock, NI
12	354-136	1	Fitting-HYD

Ref.	Part Number	Qty.	Description
12:1	237-80	1	O-Ring
13	107-2152	1	Hose-Suction
14	321-3	4	Screw-HH
15	2412-129	4	Clamp-Hose
16	3253-3	2	Washer-Lock
17	32128-33	2	Nut-HF
18	112-7677	1	Clip-Spring
19	68-8990	1	Filter Head ASM
20	353-987	2	Fitting-HYD, 90
20:1	237-81	1	O-Ring
21	3256-24	3	Washer-Flat
22	323-7	3	Screw-HH
23	23-9740	1	Filter-Oil
24	57-5420	1	Screw-Shoulder



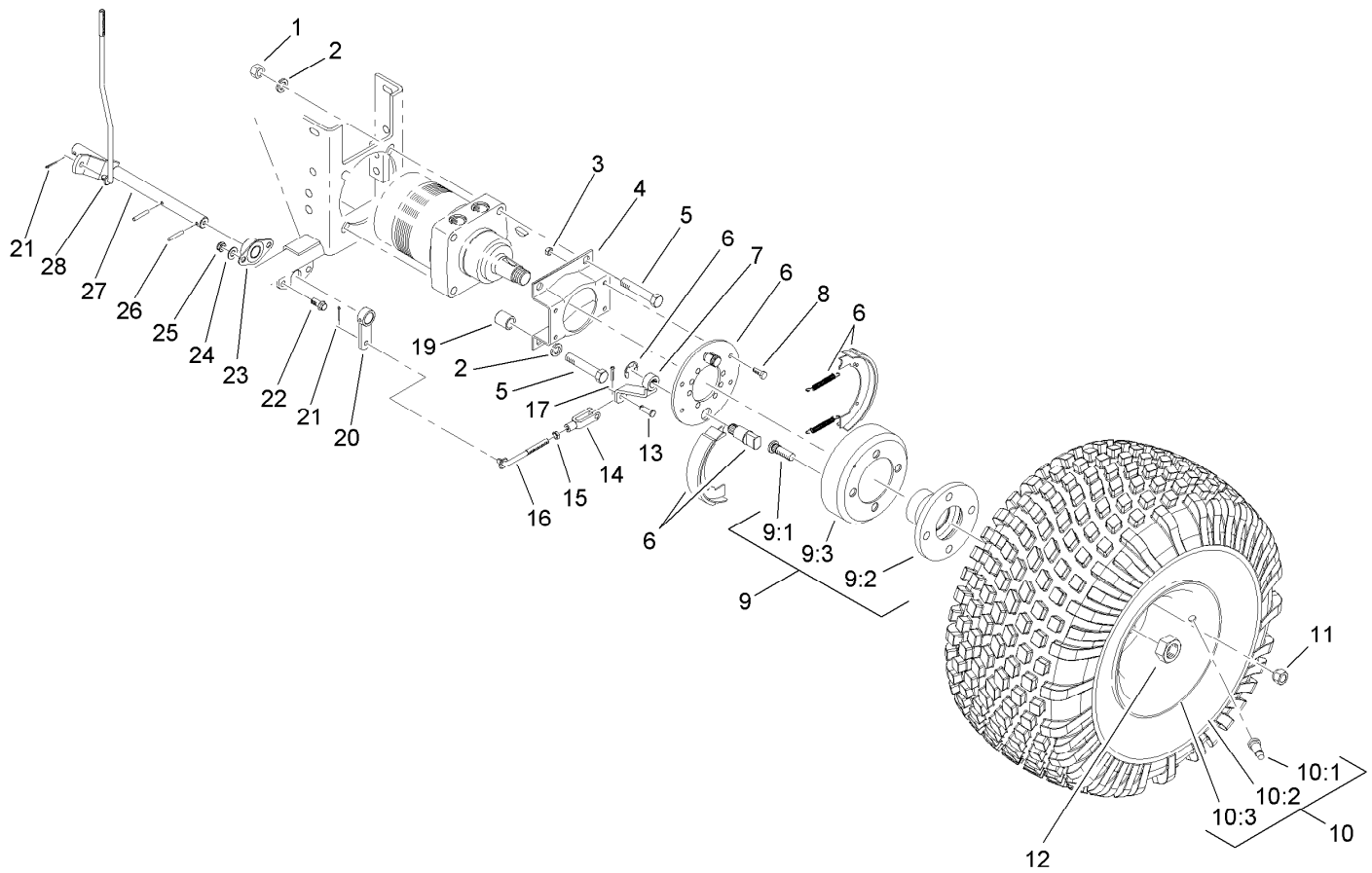
## Lift Valve Installation Assembly

Ref.	Part Number	Qty.	Description	Ref.	Part Number	Qty.	Description
1	94-3829	1	Pin-Clevis	21	21-8640	1	Latch-Lever, Valve
2	95-0636	1	Lever-Brake	22	92-8983	1	Pivot
3	322-9	2	Screw-HH	24	2710-20	1	Link-Offset
4	3229-20	1	Screw-CARR	25	353-511	1	Fitting-HYD, 90 DEG
5	100-4872	1	Plate-Switch, Neutral	25:1	237-42	1	O-Ring
6	106-9288	1	Sensor-Proximity, Ferrous	26	88-8480	1	Bracket-Pivot
7	110-7388	1	Bracket-Sensor, Brake	27	340-92	2	Fitting-HYD, Straight
8	3256-23	1	Washer-Flat	27:1	237-78	1	O-Ring
9	3296-29	2	Nut-Lock, NI	27:2	237-21	1	O-Ring
10	3272-6	1	Pin-Cotter	28	43-1710-01	1	Valve ASM
11	3296-2	3	Nut-Lock, NI	29	3296-42	4	Nut-Lock, NI
12	282-2	1	Yoke	30	353-212	1	Fitting-HYD, 45 DEG
13	3220-2	1	Nut-Jam	30:1	237-42	1	O-Ring
14	321-23	4	Screw-HH	31	353-877	1	Fitting-HYD, Tee (Swivel)
15	233-21	1	Knob	32	3234-33	2	Screw-HHF
16	92-8981	1	Lift Lever ASM	33	32104-76	1	Screw
17	3290-477	1	Washer-Curved	34	95-0601-01	1	Valve Shroud ASM
18	3290-360	2	Screw-HH	35	85-0290	2	Spacer-Pivot, Seat
19	95-5833	1	Guide-Lever	36	95-0647	1	Decal-Control
20	32121-73	1	Pin-Roll				



## Valve Assembly No. 43-1710

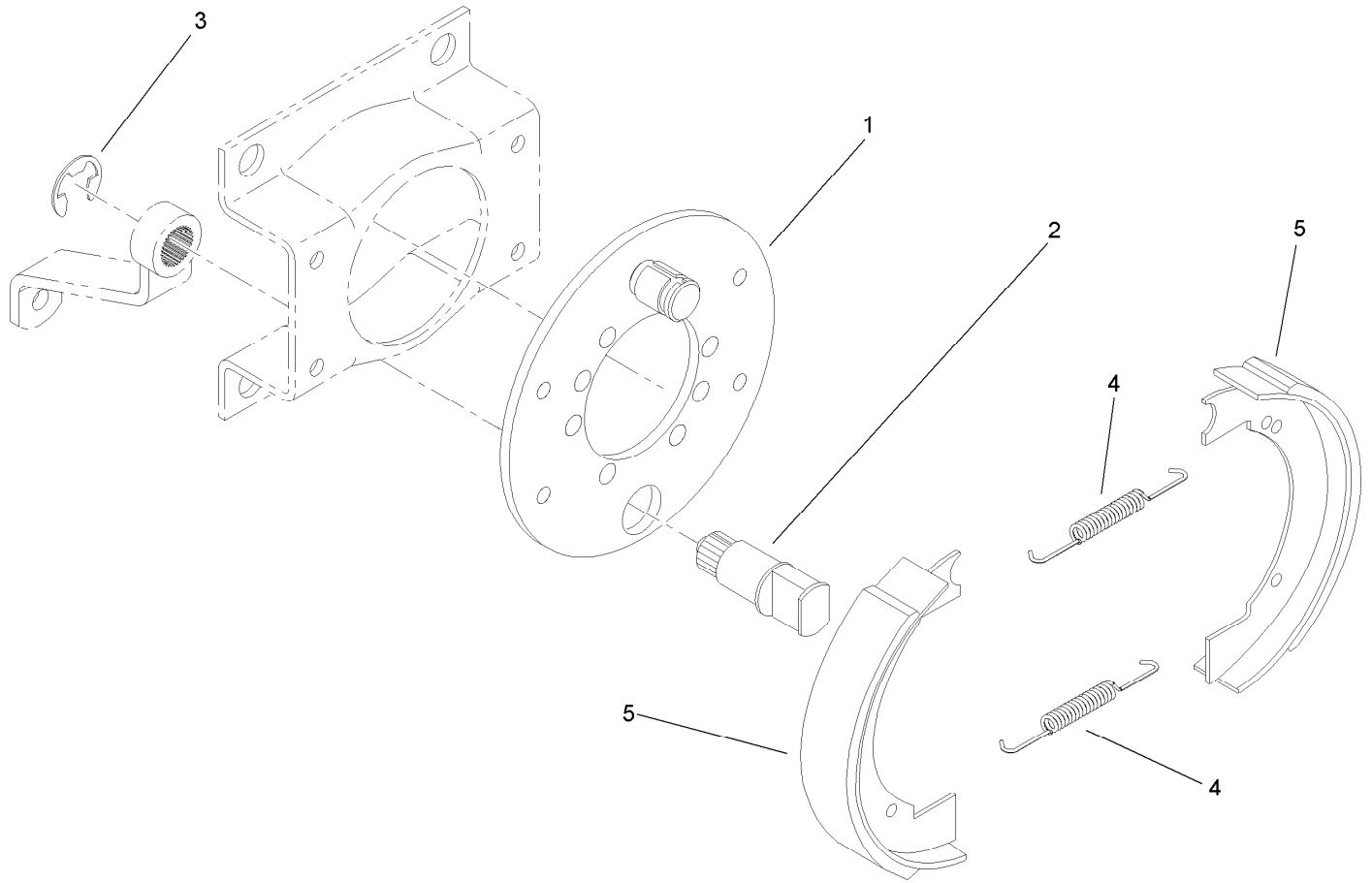
<i>Ref.</i>	<i>Part Number</i>	<i>Qty.</i>	<i>Description</i>
2	237-42	2	O-Ring
3	22-8330	2	Plug
4	22-8340	2	Spring
5	22-8350	2	Ball
6	22-8360	2	Pin
7	22-8370	2	Seat-Valve
8	22-8380	1	Retainer
9	22-8490	1	Ring-Snap
10	22-8480	1	Ring-Snap
11	22-8390	1	Retainer
12	22-8400	1	Spacer
13	22-8410	1	Spring
14	22-8420	1	Spool
15	22-8500	2	O-Ring



## Brake Installation Assembly

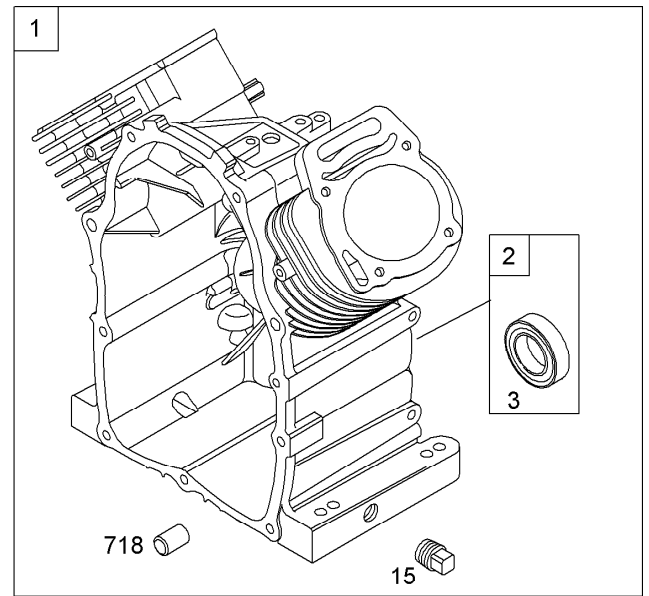
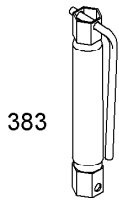
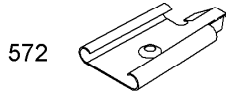
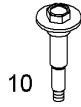
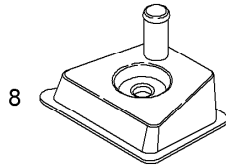
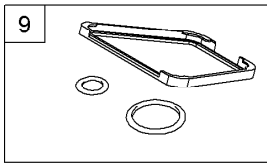
Ref.	Part Number	Qty.	Description	Ref.	Part Number	Qty.	Description
1	3217-9	4	Nut-HH	12	26-3790	2	Nut-Lock
2	3253-7	8	Washer-Lock	13	283-1	2	Pin-Clevis
3	3296-42	8	Nut-Lock, NI	14	282-2	2	Yoke
4	84-2000-03	2	Bracket-Brake	15	3220-2	2	Nut-Jam
5	325-14	8	Screw-HH	16	84-1990	2	Rod-Adjusting
6	104-7705	2	Brake ASM	17	3272-10	2	Pin-Cotter
7	93-6850	2	Lever-Brake	19	92-1715	8	Spacer
8	321-4	8	Screw-HH	20	83-9310	2	RH Brake Lever ASM
9	17-8149	2	Wheel Hub ASM	21	3272-6	3	Pin-Cotter
9:1	85-6540	4	Stud-Drive	22	3234-1	4	Screw-HHF
9:2	93-6838-03	1	Hub-Wheel	23	27-2320	2	Bearing
9:3	10-6850	1	Drum-Brake	24	3256-24	4	Washer-Flat
10		2	Wheel And Tire ASM ●	25	3296-59	4	Nut-Lock, NI
10:1	232-35	1	Valve Stem And Cap ASM	26	32121-6	4	Pin-Roll, Slotted
10:2	85-8290	1	Tire-2Ply, Knobby	27	95-0625	1	Rod-Traverse
10:3	94-6116	1	Wheel-Rear	28	95-0628	1	Rod-Brake
11	242-50	8	Nut-Lug				

● Not serviced separately



## Brake Assembly No. 104-7705

<i>Ref.</i>	<i>Part Number</i>	<i>Qty.</i>	<i>Description</i>
1	70-9870	1	Plate-Backing
2	104-7707	1	Shaft-Cam, Brake
3	104-7706	1	E-Ring, Bowed
4	70-9880	2	Spring-Return
5	70-9840	2	Shoe-Brake



1058 OPERATOR MANUAL

1330 REPAIR MANUAL

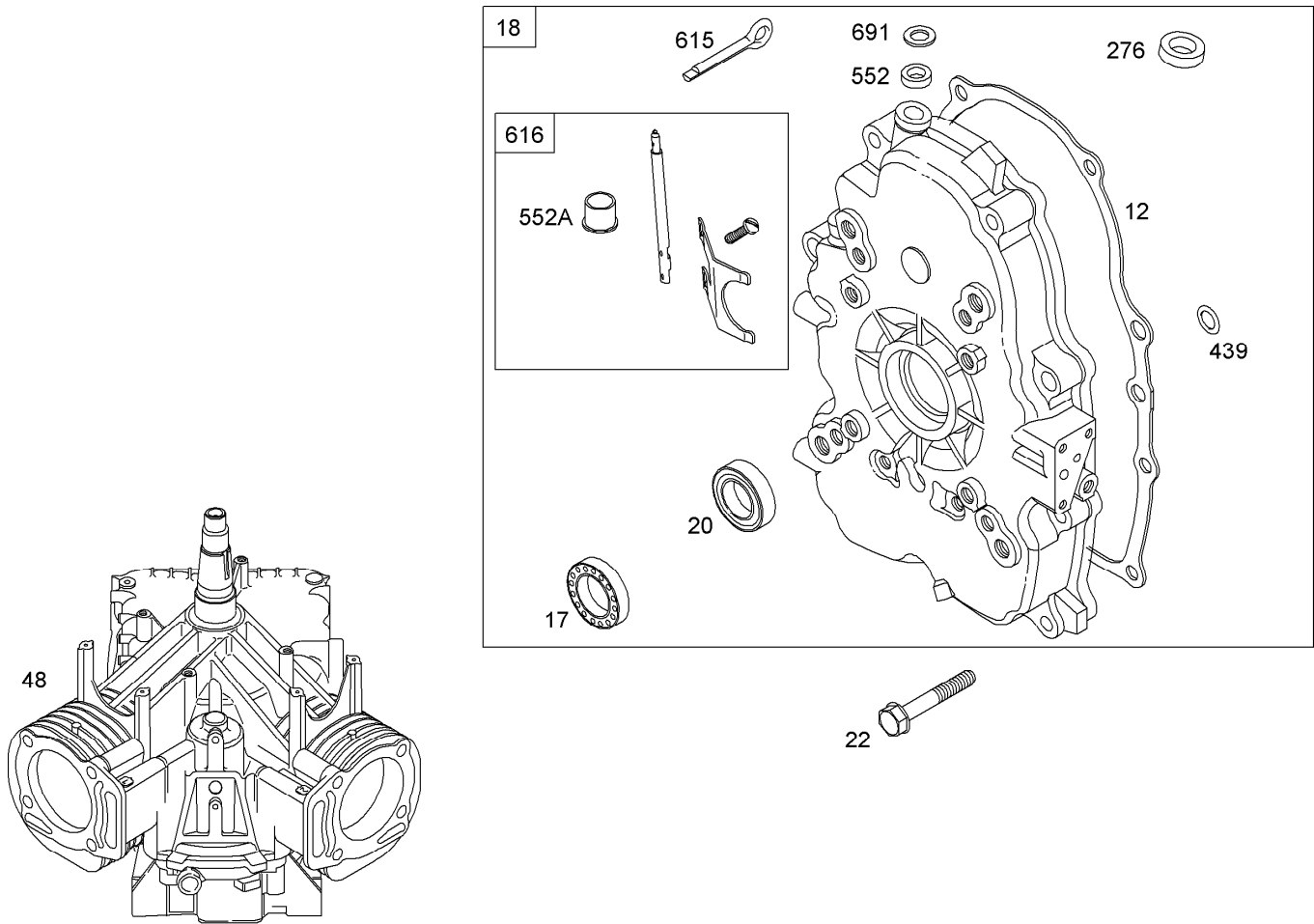
Assemblies include all parts shown in frames

## Cylinder Assembly Briggs and Stratton 305447-0203-E1

Ref.	Part Number	Qty.	Description
1	692178	1	Cylinder ASM ●
2	808534	1	Bushing-Seal Kit (Magneto Side) ●
3	805101S	1	Seal-Oil (Magneto Side) ●■
8	808984	1	Breather ASM ●
9	809094	1	Gasket-Breather ●■
10	690751	1	Screw (Breather Asm) ●
15	690946	1	Plug-Drain, Oil ●
337	496018S	1	Spark Plug ●
383	19374s	1	Wrench-Spark Plug ●
572	690686	1	Baffle-Breather ●
635	692076	1	Boot-Spark Plug ●
718	806469	1	Pin-Locating ●
1058	276343	1	Operator Manual ●
1330	272144	1	Repair Manual ●

● Obtain parts from [www.briggsandstratton.com](http://www.briggsandstratton.com)

■ Included in Engine Gasket Set (Ref. No. 358)



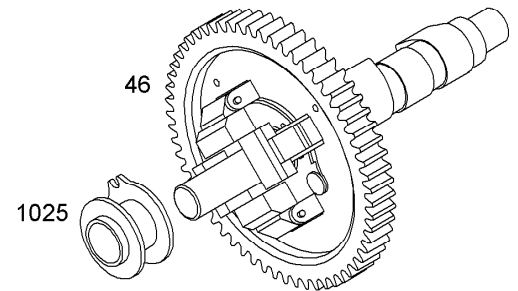
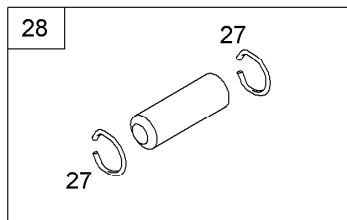
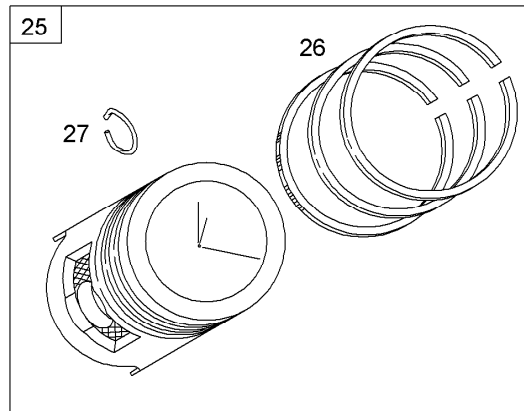
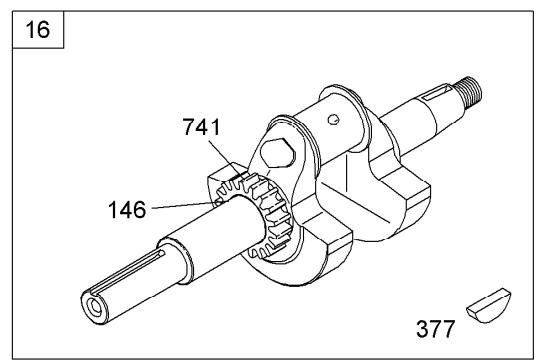
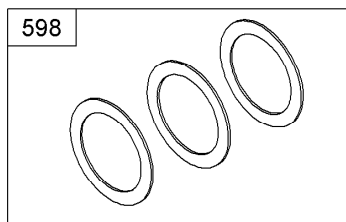
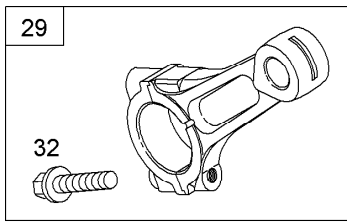
Assemblies include all parts shown in frames

## Crankcase Assembly Briggs and Stratton 305447-0203-E1

Ref.	Part Number	Qty.	Description
12	842589	1	Gasket-Crankcase ●■
17	690752	1	Bearing-Ball ●
18	808847	1	Cover-Crankcase ●
20	805049S	1	Seal-Oil (PTO Side) ●■
22	807362	1	Screw (Crankcase Cover) ●
48		1	Block-Short (Not Available) ●
276	690704	1	Washer-Sealing ●
439	692154	1	Seal-O Ring (Crankcase Cover) ●■
552	690701	1	Bushing-Crank, Governor ●
552A	806686	1	Bushing-Crank, Governor ●
615	691550	1	Retainer-Shaft, Governor ●
616	806685	1	Crank-Governor ●
691	690680	1	Seal-Shaft, Governor ●■

● Obtain parts from [www.briggsandstratton.com](http://www.briggsandstratton.com)

■ Included in Engine Gasket Set (Ref. No. 358)

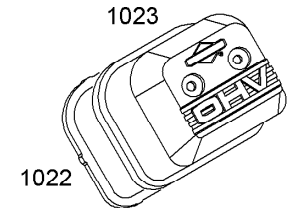
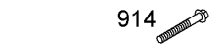
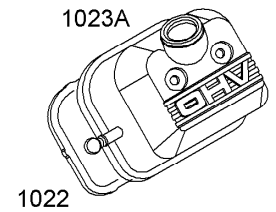
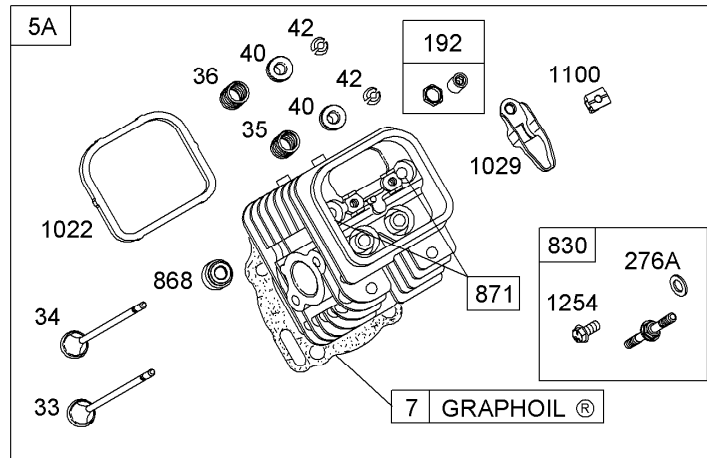
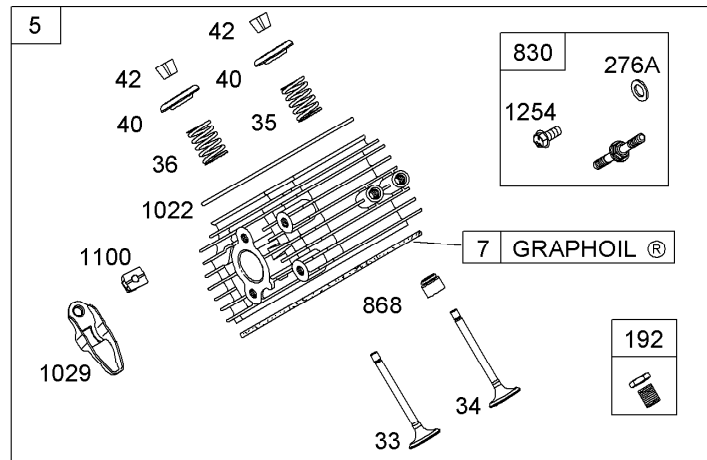
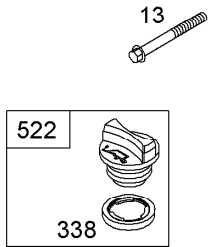
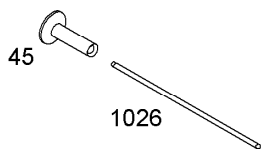


Assemblies include all parts shown in frames

## Crankshaft Assembly Briggs and Stratton 305447-0203-E1

Ref.	Part Number	Qty.	Description
16	692168	1	Crankshaft ●
25	807619	1	Piston ASM (Standard) ●
25	807809	1	Piston ASM (.020 Oversize) ●
26	807620	1	Ring Set (Standard) ●
26	807810	1	Ring Set (.020 Oversize) ●
27	690683	1	Lock-Pin, Piston ●
28	807621	1	Pin-Piston ●
29	807900S	1	Rod-Connecting (Std) ●
29	807803	1	Rod-Connecting (.020 Undersize) ●
32	690698	1	Screw (Connecting Rod) ●
46	691557	1	Camshaft ●
146	691639	1	Key-Timing ●
357	691483	1	Key pulley , Drive ●
377	808095	1	Key-Woodruff ●
598	807625	1	Shim-Play, End ●
741	691530	1	Gear-Timing ●
1025	690689	1	Spool-Governor ●

● Obtain parts from [www.briggsandstratton.com](http://www.briggsandstratton.com)



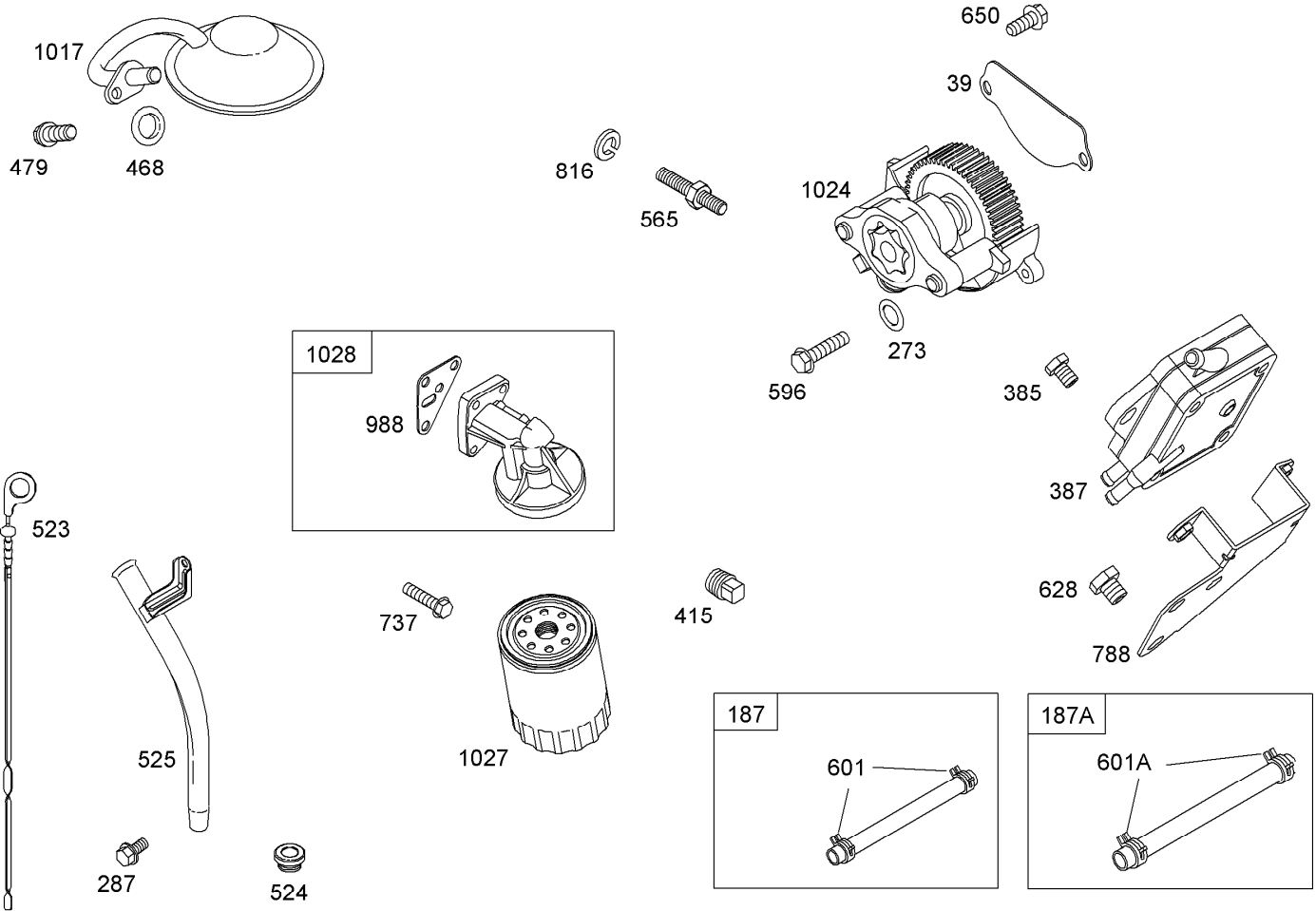
Assemblies include all parts shown in frames

## Cylinder Head Assembly Briggs and Stratton 305447-0203-E1

Ref.	Part Number	Qty.	Description	Ref.	Part Number	Qty.	Description
5	809200	1	Head-Cylinder (Cylinder 1) ●	338	691312	1	Seal-O Ring ■▲●
5A	809201	1	Head-Cylinder (Cylinder 2) ●	522	491832	1	Plug-Fill, Dipstick ●
7	806085	1	Gasket-Head, Cylinder ●■▲	830	809157	1	Stud-Arm, Rocker ●
13	692059	1	Screw (Cylinder Head) ●	868	691963	1	Seal-Valve ■▲●
33	807681	1	Valve-Exhaust ●	871	692057	1	Bushing-Guide, Valve ●
34	807680	1	Valve-Intake ●	914	807120	1	Screw (Rocker Cover) ●
35	692084	1	Spring-Valve (Intake) ●	1022	806039S	1	Gasket-Cover, Rocker ■▲●●
36	692084	1	Spring-Valve (Exhaust) ●	1023	691494	1	Cover-Valve ●
40	692058	1	Retainer-Valve ●	1023A	690910	1	Cover-Valve ●
42	807683	1	Keeper-Valve ●	1026	691836	1	Rod-Push (Intake) ●
45	843379	1	Tappet-Valve ●	1026	691758	1	Rod-Push (Exhaust) ●
192	807623	1	Adjuster-Arm, Rocker ●	1029	807323	1	Arm-Rocker ●
276A	807085	1	Washer-Sealing (Head)(Rocker Cover) ■ ●	1100	791959	1	Pivot-Arm, Rocker ●
				1254	807084	1	Screw (Rocker Arm Stud) ●

● Obtain parts from [www.briggsandstratton.com](http://www.briggsandstratton.com)  
▲ Included in Valve Gasket Set (Ref. No. 1095)

■ Included in Engine Gasket Set (Ref. No. 358)



Assemblies include all parts shown in frames

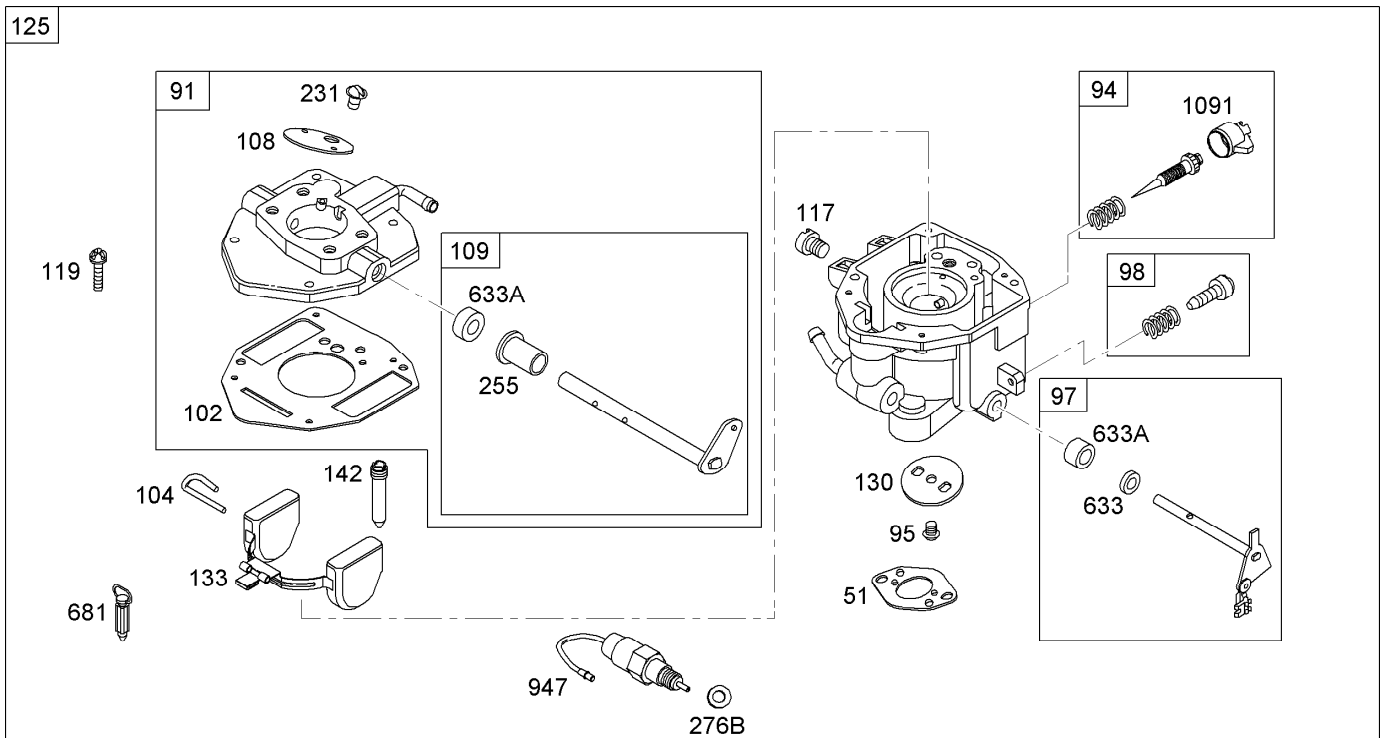
## Oil Filter, Tube and Pump Assembly Briggs and Stratton 305447-0203-E1

Ref.	Part Number	Qty.	Description
39	690745	1	Deflector-Oil ●
187	791766	1	Line-Fuel (Cut To Required Length) ●
187A	791744	1	Line-Fuel ●
273	690681	1	Seal-O Ring (Oil Pump) ■●
287	692062	1	Screw (Dipstick Tube) ●
385	807084	1	Screw (Fuel Pump) ●
387	808969	1	Pump-Fuel ●
415	690283	1	Plug-Oil ●
468	690690	1	Seal-O Ring (Oil Pump Screen) ■●
479	807084	1	Screw (Oil Pump Screen) ●
523	693175	1	Dipstick ●
524	693172	1	Seal-Tube, Dipstick ■●
525	693174	1	Tube-Dipstick ●
565	690682	1	Stud (Oil Filter Adapter) ●

Ref.	Part Number	Qty.	Description
596	691492	1	Screw (Oil Pump) ●
601	791850	1	Clamp-Hose ●
601A	691038	1	Clamp-Hose ●
628	692062	1	Screw (Fuel Pump Bracket) ●
650	841233	1	Screw (Oil Deflector) ●
737	690679	1	Screw (Oil Filter Adapter) ●
788	691559	1	Bracket-Pump, Fuel ●
816	690706	1	Washer (Oil Filter Adapter) ●
988	692063	1	Gasket-Adapter, Oil Filter ■●
1017	690900	1	Screen-Pump, Oil ●
1024	693185	1	Pump-Oil ●
1027	492932	1	Filter-Oil ●
1028	808235	1	Adapter-Filter, Oil ●

● Obtain parts from [www.briggsandstratton.com](http://www.briggsandstratton.com)

■ Included in Engine Gasket Set (Ref. No. 358)



Assemblies include all parts shown in frames

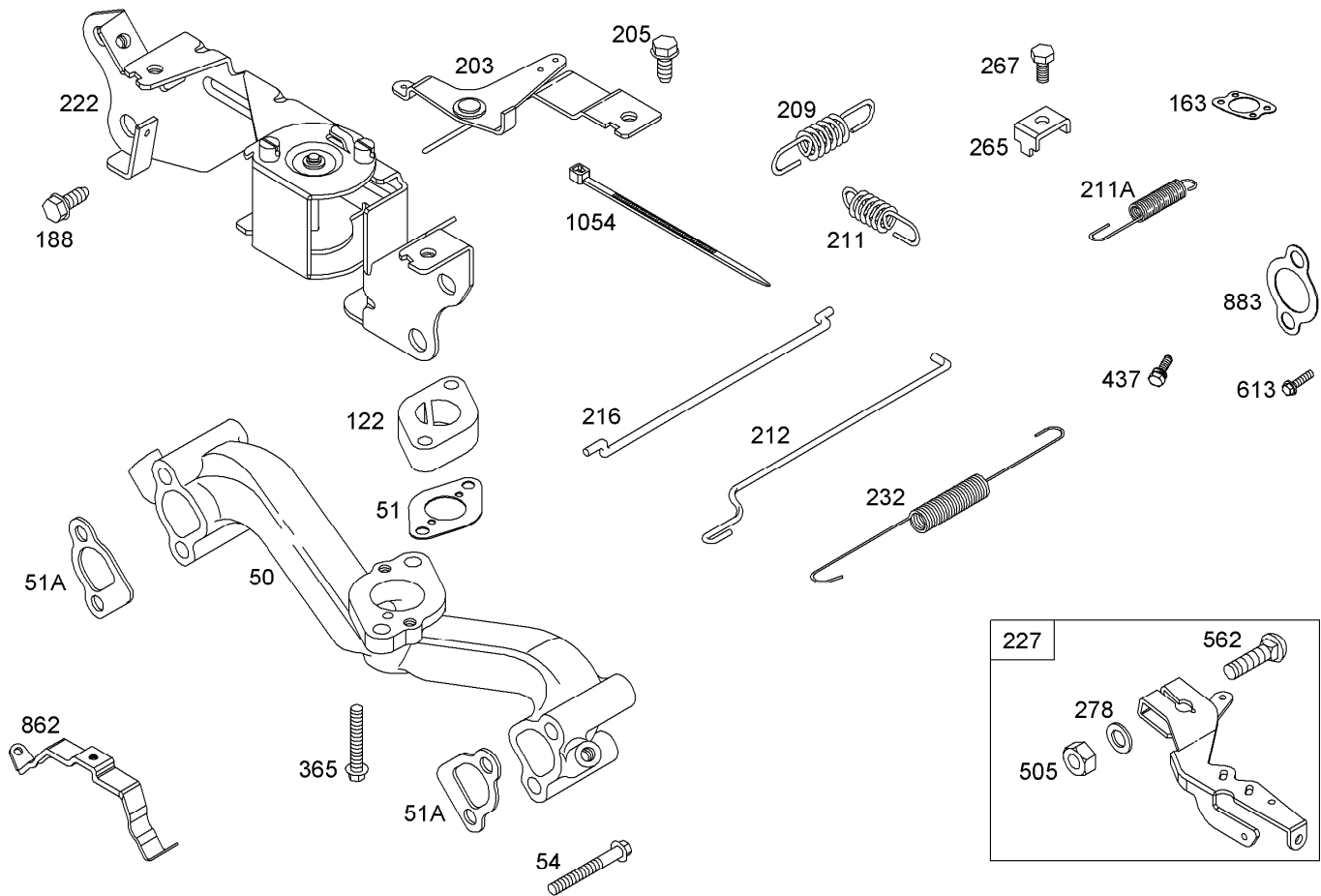
## Carburetor Assembly Briggs and Stratton 305447-0203-E1

Ref.	Part Number	Qty.	Description
51	691694	1	Gasket-Intake ■●
91	807919	1	Body-Carburetor, Upper ●
94	842870	1	Idle Mixture Kit ▲●
95	690718	1	Screw (Throttle Valve) ●
97	809007	1	Shaft-Throttle ●
98	808177	1	Idle Speed Kit ●
102	692077	1	Gasket-Body, Carburetor ▲●
104	690723	1	Pin-Hinge, Float ▲●
108	690719	1	Valve-Choke ●
109	807722	1	Shaft-Choke ●
117	690862	1	Jet-Main (Std) ▲●
119	690720	1	Screw (Upper To Lower Body) ●
125	809011	1	Carburetor ●
130	690726	1	Valve-Throttle ●
133	843320	1	Float-Carburetor ●
142	690725	1	Nozzle-Carburetor ●
231	690718	1	Screw (Choke Valve) ●
255	690721	1	Bushing-Shaft, Choke ▲●
276B	806137	1	Washer-Sealing ●
633	806131	1	Seal-Shaft, Choke Throttle ▲●
633A	690722	1	Seal-Shaft, Choke Throttle ●▲
681	808798	1	Valve-Needle, Float ●▲
947	692094	1	Solenoid-Fuel ●
1091	691516	1	Cap-Limiter ▲●

● Obtain parts from [www.briggsandstratton.com](http://www.briggsandstratton.com)

▲ Included in Carburetor Overhaul Kit (Ref. No. 121)

■ Included in Engine Gasket Set (Ref. No. 358)



Assemblies include all parts shown in frames

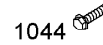
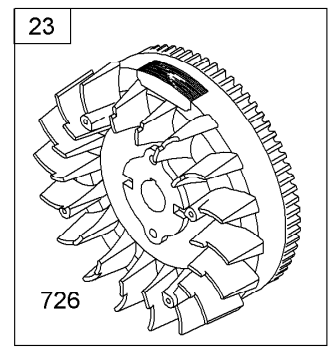
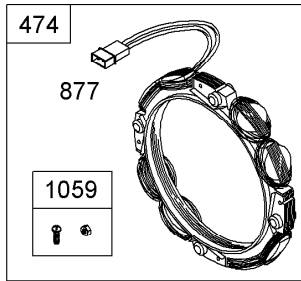
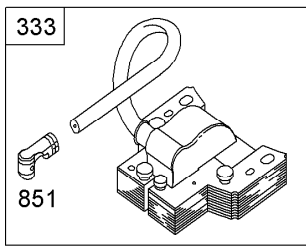
## Governor Assembly Briggs and Stratton 305447-0203-E1

Ref.	Part Number	Qty.	Description
50	690754	1	Manifold-Intake ●
51	691694	1	Gasket-Intake ●■
51A	692035	1	Gasket-Intake ●■▲
54	690676	1	Screw (Intake Manifold) ●
122	690691	1	Spacer-Carburetor ●
163	692081	1	Gasket-Cleaner, Air ●
188	692056	1	Screw (Control Bracket) ●
203	690923	1	Crank-Bell ●
205	692083	1	Screw (Bell Crank) ●
209	691508	1	Spring-Governor ●
211	692069	1	Spring-Idle, Governed ●
211A	692068	1	Spring-Idle, Governed (Secondary) ●
212	690712	1	Link-Throttle ●
216	690705	1	Link-Choke ●
222	808454	1	Bracket-Control ●
227	690236	1	Lever-Control, Governor ●

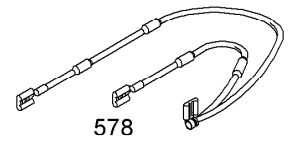
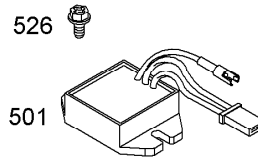
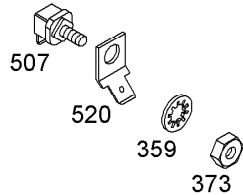
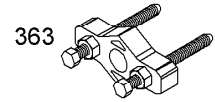
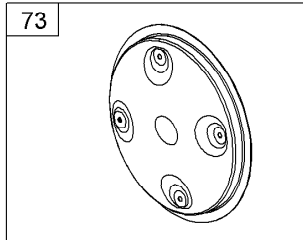
Ref.	Part Number	Qty.	Description
232	692073	1	Spring-Link, Governor ●
265	691024	1	Clamp-Casing ●
267	841552	1	Screw (Casing Clamp) ●
278	842122	1	Washer (Governor Control Lever) ●
365	690711	1	Screw (Carburetor) ●
437	691902	1	Screw (Exhaust Manifold) ●
505	690238	1	Nut (Governor Control Lever) ●
562	690239	1	Bolt (Governor Control Lever) ●
613	691902	1	Screw (Muffler) ●
862	692153	1	Strap-Stud Mounting, Air Cleaner ●
883	691613	1	Gasket-Exhaust ■▲●
1054	280275	1	Tie-Cable ●

● Obtain parts from [www.briggsandstratton.com](http://www.briggsandstratton.com)  
▲ Included in Valve Gasket Set (Ref. No. 1095)

■ Included in Engine Gasket Set (Ref. No. 358)



1036 EMISSIONS LABEL

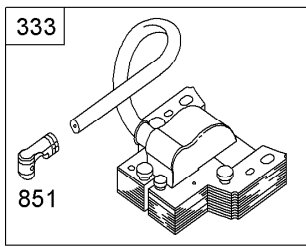


Assemblies include all parts shown in frames

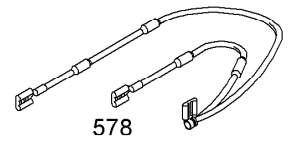
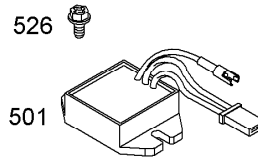
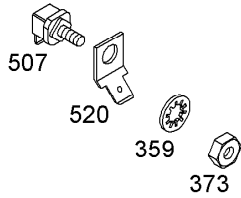
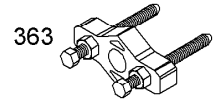
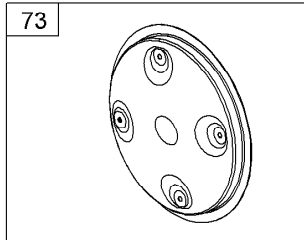
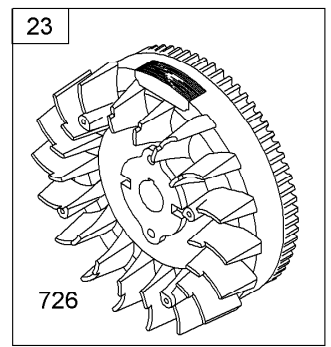
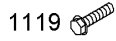
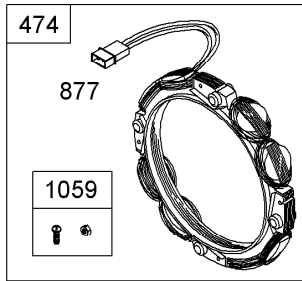
## Flywheel Assembly Briggs and Stratton 305447-0203-E1

Ref.	Part Number	Qty.	Description
23	841825	1	Flywheel ●
73	841440	1	Screen rotating ●
74	841441	1	Screw (Rotating Screen) ●
332	690887	1	Nut (Flywheel) ●
333	492341	1	Armature-Magneto ●
334	692066	1	Screw (Magneto Armature) ●
359	691077	1	Washer (Ground Terminal) ●
363	19203	1	Puller-Flywheel ●
373	691612	1	Nut (Ground Terminal) ●
474	696458	1	Alternator ●
501	691185	1	Regulator ●
507	691972	1	Insulator ●
520	691084	1	Terminal-Ground ●
526	692067	1	Screw (Regulator) ●
529	690744	1	Grommet ●
578	692319	1	Wire ASM ●
726		1	Gear-Ring (See Reference 23 For Service) ●
729	690586	1	Clip-Wire ●
851	493880s	1	Terminal-Spark Plug ●
877	399916	1	Connector-Wire, Alternator ●
1036		1	Label-Emissions ●
1044	692056	1	Screw (Flywheel) ●

● Obtain parts from [www.briggsandstratton.com](http://www.briggsandstratton.com)



1036 EMISSIONS LABEL

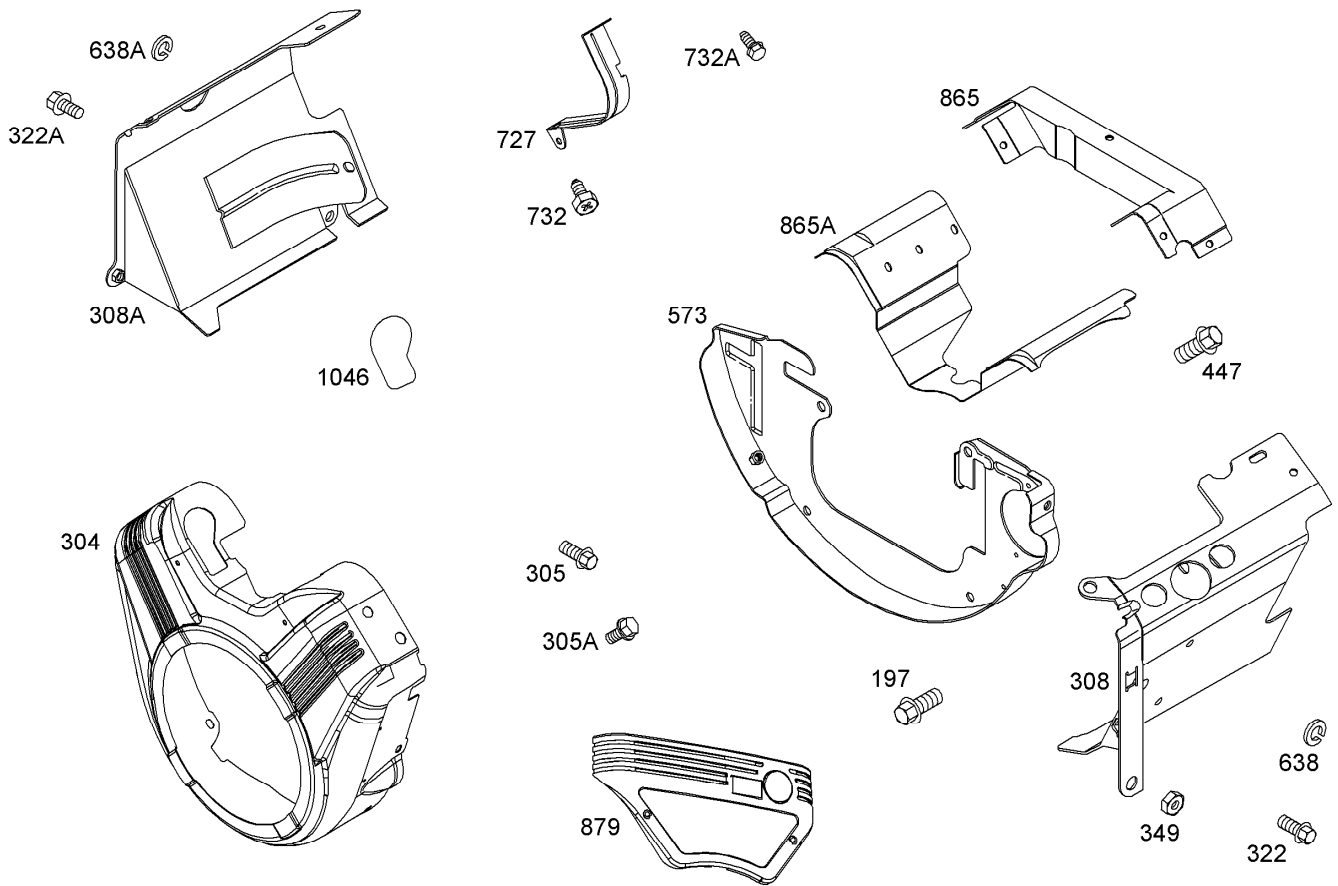


Assemblies include all parts shown in frames

## Flywheel Assembly Briggs and Stratton 305447-0203-E1 (continued)

Ref.	Part Number	Qty.	Description
1059	698516	1	Screw And Washer Kit ●
1119	691552	1	Screw (Alternator) ●

● Obtain parts from [www.briggsandstratton.com](http://www.briggsandstratton.com)

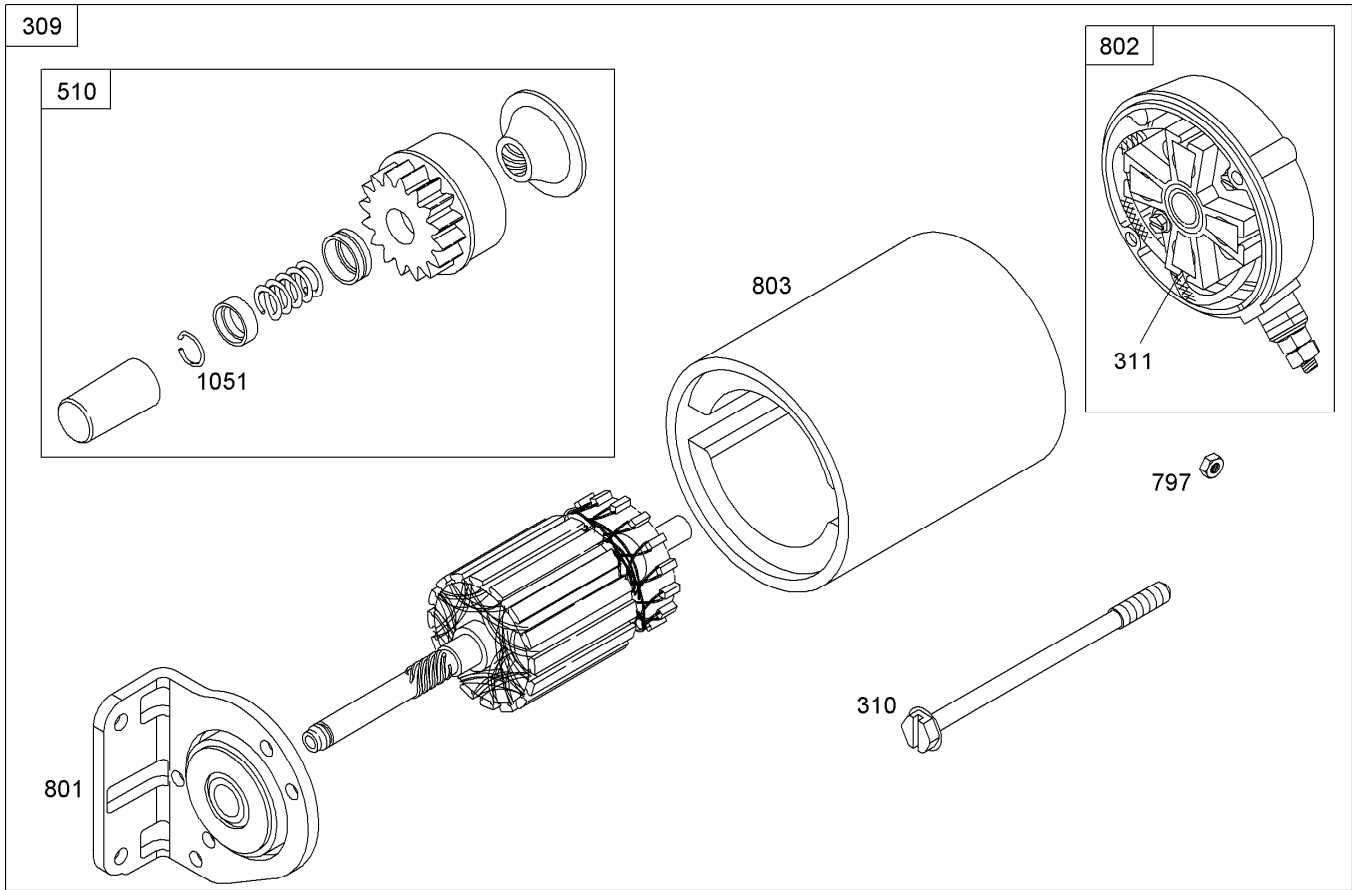


Assemblies include all parts shown in frames

## Blower Housing Assembly Briggs and Stratton 305447-0203-E1

Ref.	Part Number	Qty.	Description
197	807163	1	Screw (Back Plate) ●
304	842680	1	Housing-Blower ●
305	841233	1	Screw (Blower Housing) ●
305A	692062	1	Screw (Blower Housing) ●
308	841317	1	Cover-Head, Cylinder (Cylinder 1) ●
308A	841316	1	Cover-Head, Cylinder (Cylinder 2) ●
322	841233	1	Screw (Cylinder Head Cover) ●
322A	692067	1	Screw (Cylinder Head Cover) ●
349	690238	1	Nut (Cylinder Head Cover) ●
447	841233	1	Screw (Air Guide Cover) ●
573	841310	1	Plate back ●
638	690706	1	Washer (Cylinder Head Cover) ●
638A	691551	1	Washer (Cylinder Head Cover) ●
727	841313	1	Cover drive, Starter ●
732	690688	1	Screw (Starter Drive Cover) ●
732A	841233	1	Screw (Starter Drive Cover) ●
865	841319	1	Cover-Guide, Air ●
865A	807119	1	Cover-Guide, Air ●
879	807460	1	Cover-Carburetor ●
1046	843068	1	Plug-Housing, Blower ●

● Obtain parts from [www.briggsandstratton.com](http://www.briggsandstratton.com)



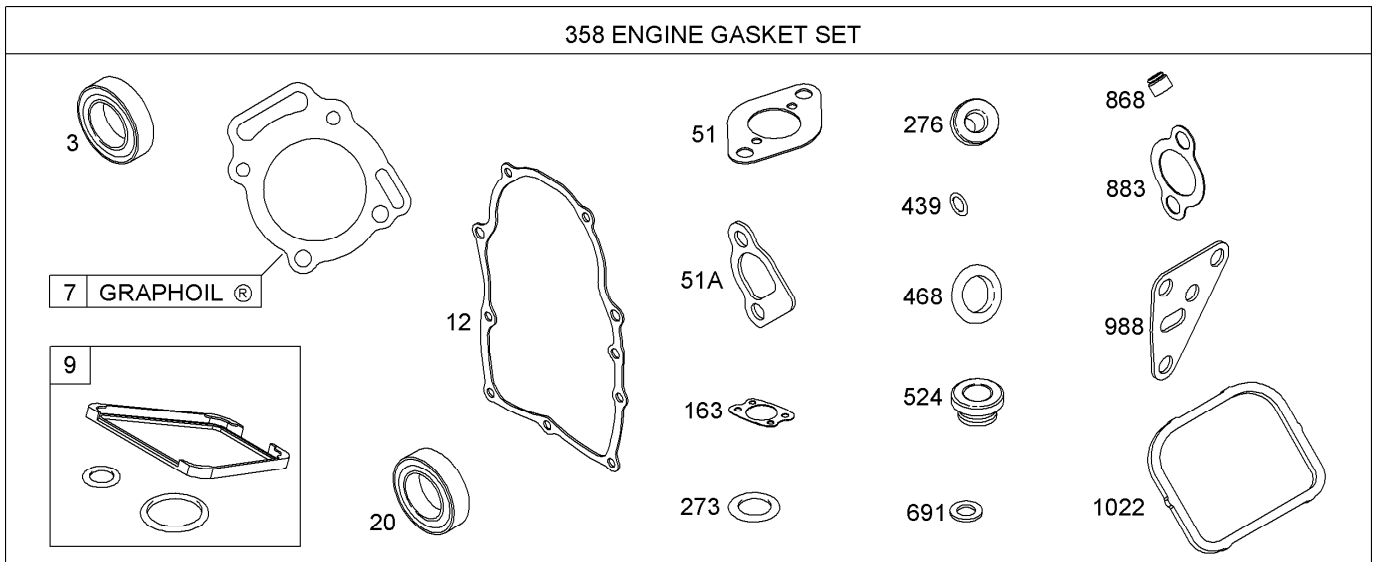
Assemblies include all parts shown in frames

## Starter Assembly Briggs and Stratton 305447-0203-E1

<i>Ref.</i>	<i>Part Number</i>	<i>Qty.</i>	<i>Description</i>
309	691564	1	Motor-Starter ●
310	496880	1	Bolt (Starter Motor) ●
311	496887	1	Brush Set ●
510	496881	1	Drive-Starter ●
697	692062	1	Screw (Drive Cap) ●
797	691029	1	Nut (Brush Retainer) ●
801	808778	1	Cap-Drive ●
802	496813	1	Cap-End ●
803	690854	1	Housing-Starter ●
1051	691124	1	Ring-Lock ●

● Obtain parts from [www.briggsandstratton.com](http://www.briggsandstratton.com)

358 ENGINE GASKET SET



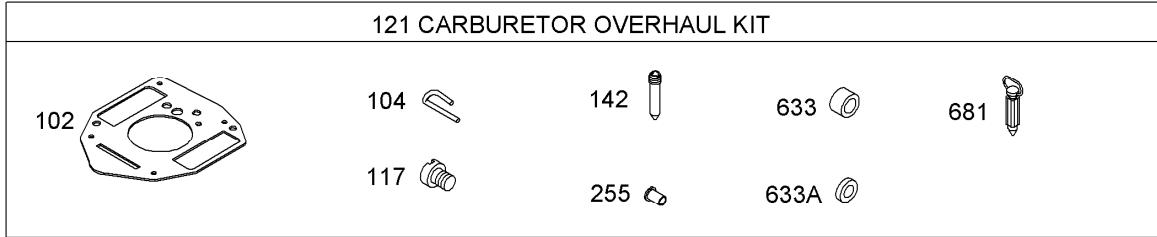
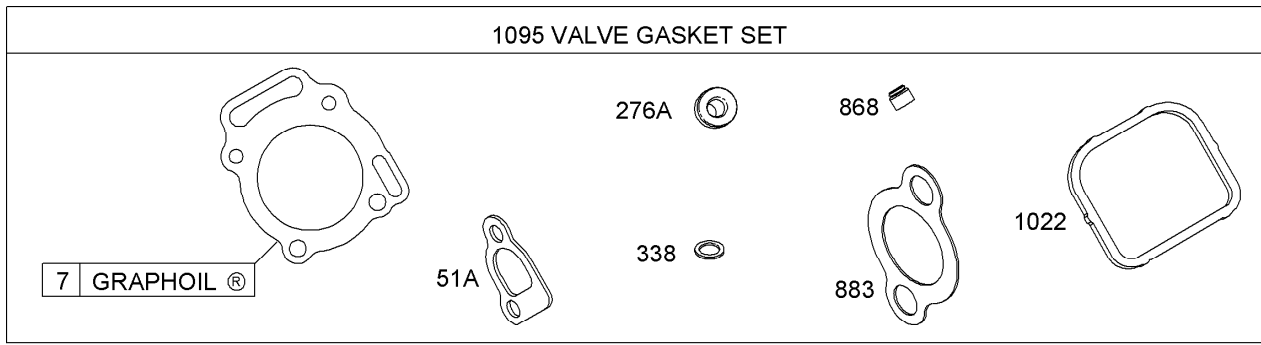
Assemblies include all parts shown in frames

## 358 Engine Gasket Set Briggs and Stratton 305447-0203-E1

Ref.	Part Number	Qty.	Description
3	805101S	1	Seal-Oil (Magneto Side) ■●
7	806085S	1	Gasket-Head, Cylinder ■▲●
9	809094	1	Gasket-Breather ■●
12	842589	1	Gasket-Crankcase ■●
20	805049S	1	Seal-Oil (PTO Side) ■●
51	691694	1	Gasket-Intake ■●
51A	692035	1	Gasket-Intake ■▲●
163	692081	1	Gasket-Cleaner, Air ■●
273	690681	1	Seal-O Ring (Oil Pump) ■●
276	690724	1	Washer-Sealing ●■
358	841188	1	Engine Gasket Set ●
439	692154	1	Seal-O Ring (Crankcase Cover) ■●
468	690690	1	Seal-O Ring (Oil Pump Screen) ■●
524	693172	1	Seal-Tube, Dipstick ●■
691	690680	1	Seal-Shaft, Governor ●■
868	691963	1	Seal-Valve ●▲■
883	691613	1	Gasket-Exhaust ▲●■
988	692063	1	Gasket-Adapter, Oil Filter ●■
1022	806039S	1	Gasket-Cover, Rocker ●▲■

● Obtain parts from [www.briggsandstratton.com](http://www.briggsandstratton.com)  
▲ Included in Valve Gasket Set (Ref. No. 1095)

■ Included in Engine Gasket Set (Ref. No. 358)



Assemblies include all parts shown in frames

## 1095 Valve Gasket Set and 121 Carburetor Overhaul Kit Briggs and Stratton 305447-0203-E1

Ref.	Part Number	Qty.	Description
7	806085	1	Gasket-Head, Cylinder ■▲●
51A	692035	1	Gasket-Intake ■▲●
102	692077	1	Gasket-Body, Carburetor ●◆
104	690723	1	Pin-Hinge, Float ●◆
117	690862	1	Jet main ●◆
121	809021	1	Carburetor Overhaul Kit ●
142	690725	1	Nozzle-Carburetor (Std) ●◆
255	690721	1	Bushing-Shaft, Choke ●◆
276A	807085	1	Washer-Sealing ▲●
338	691312	1	Seal-O Ring ■▲●
633	806131	1	Seal-Shaft, Choke Throttle ●◆
633A	690722	1	Seal-Shaft, Choke Throttle ●◆
681	808798	1	Valve-Needle, Float ●◆
868	691963	1	Seal-Valve ▲●■
883	691613	1	Gasket-Exhaust ■▲●
1022	806039	1	Gasket-Cover, Rocker ●■▲
1095	842723	1	Valve Gasket Set ●

● Obtain parts from [www.briggsandstratton.com](http://www.briggsandstratton.com)  
▲ Included in Valve Gasket Set (Ref. No. 1095)

■ Included in Engine Gasket Set (Ref. No. 358)  
◆ Included in Carburetor Overhaul Kit (Ref. No. 121)

# Attachments and Accessories

## For 08884 Sand Pro 2020

<b>Product Name</b>	<b>Model/Part</b>
Rake-Tooth .....	08812
Rake-Spring.....	08813
Mounting Kit.....	08814
Weeder / Cultivator .....	08815
Front Blade Kit.....	08821
Drag Mat Kit.....	08850
Spiker .....	08856
Cyclone 1000 Debris Blower.....	08857
Debris Blower Installation Kit .....	08858
Chute-Discharge.....	08860
Finish Grader .....	08867
Red Gas Cap .....	107-2173
Yellow Hydraulic Fluid Cap (Tethered) .....	107-2174
Sand Blade 240 .....	44900
Bar-Draw .....	92-2330
Screen-Arrestor, Spark.....	95-5819
CE Update Kit.....	95-5832

**Notes:**



**Count on it.**