



Count on it.

Parts Catalog

Sand Pro® 2020

Model No. 08884—Serial No. 280000001 and Up

Ordering Replacement Parts

To order replacement parts, please supply the part number, the quantity, and the description of each part desired.

Understanding Reference Numbers

Each identified part in an illustration has a reference number. The reference number for a part also appears in the parts list, along with other information about the part.

This catalog uses two special reference number formats, one to indicate parts in a service assembly and another to indicate the quantity of a given part in an illustration.

Service Assembly Reference Numbers

Parts in service assemblies have reference numbers in the form a:b. The a represents the reference number of the entire service assembly and the b represents a sequential number unique to each part within the service assembly.

For example, a wheel assembly might be identified by reference number 6, the tire by 6:1, the valve by 6:2, and the wheel by 6:3. When you order the assembly identified by reference number 6, you receive all parts identified by reference numbers 6:1, 6:2, and 6:3. However, you may also order any part individually. Reference numbers of this type appear in illustration and in parts lists.

Reference Numbers Indicating Quantity

In an illustration, if a reference number indicates more than one part, the reference number has the form nX y. The n represents the quantity of the part, the X is the multiplication symbol, and the y represents the reference number.

For example, in an illustration, the reference number 2X 37 means that two of the parts identified by reference number 37 are indicated.

List of Abbreviations

AR: as required

ASM: assembly

BBC: blade brake control

BHTF: button head thread forming

CARR: carriage

CCW: counter clockwise

CW: clockwise

DEG: degrees

DPA: Dual Point Adjustment

ECM: electronic control module

EXT: external

FH: flat head

GA: gauge

HD: heavy-duty

HF: hex flange

HH: hex head

HHF: hex head flange

HHFTF: hex head flange thread forming

HJ: hex jam

HLH: hex lag head

HOC: height-of-cut

HSBH: hex socket button head

HSFH: hex socket flat head

HSH: hex socket head

HWH: hex washer head

HWHTF: hex washer head thread forming

HYD: hydraulic

LH: left hand

LP: Liquid Propane

NI: nylon insert

NPTF: national pipe thread fine

PFH: phillips flat head

PPH: phillips pan head

PPHTF: phillips pan head thread forming

PRH: phillips round head

PTH: phillips truss head

PTO: power-take-off

RH: right hand

ROPS: roll-over protection system

RRB: rear roller brush

SFH: slotted fillister head

SHH: slotted hex head

SHWH: slotted hex washer head

SPH: slotted pan head

SQH: square head

SRH: slotted round head

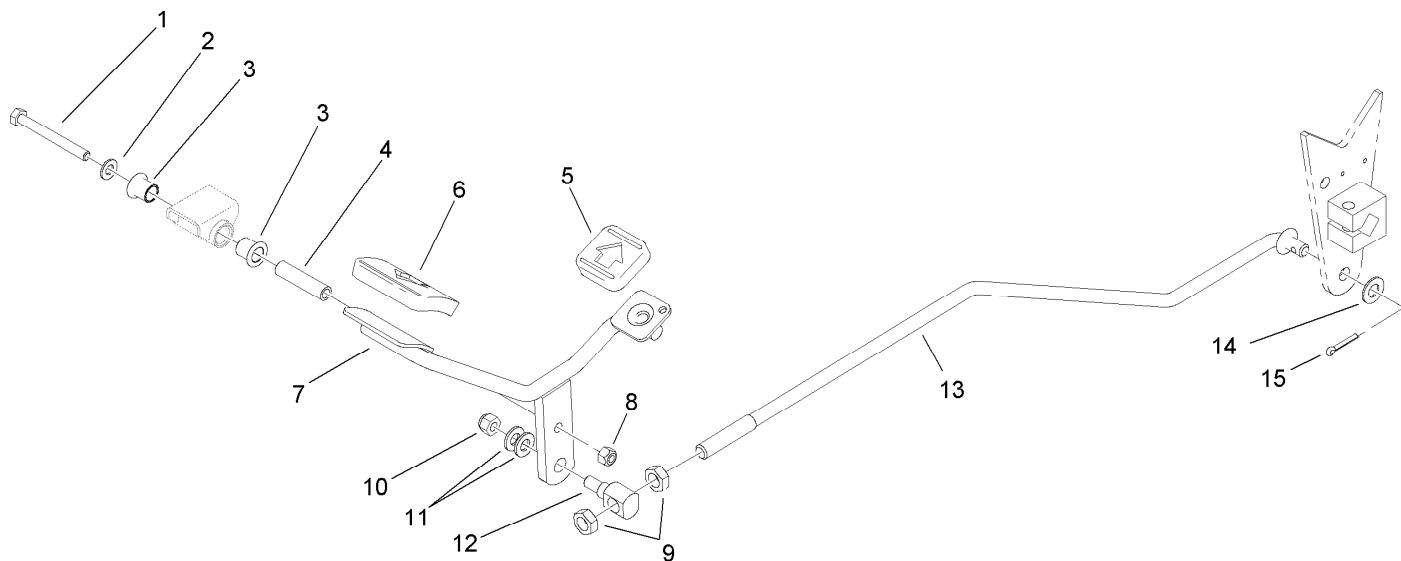
STD: standard

TAP: self tapping

TTH: torx truss head

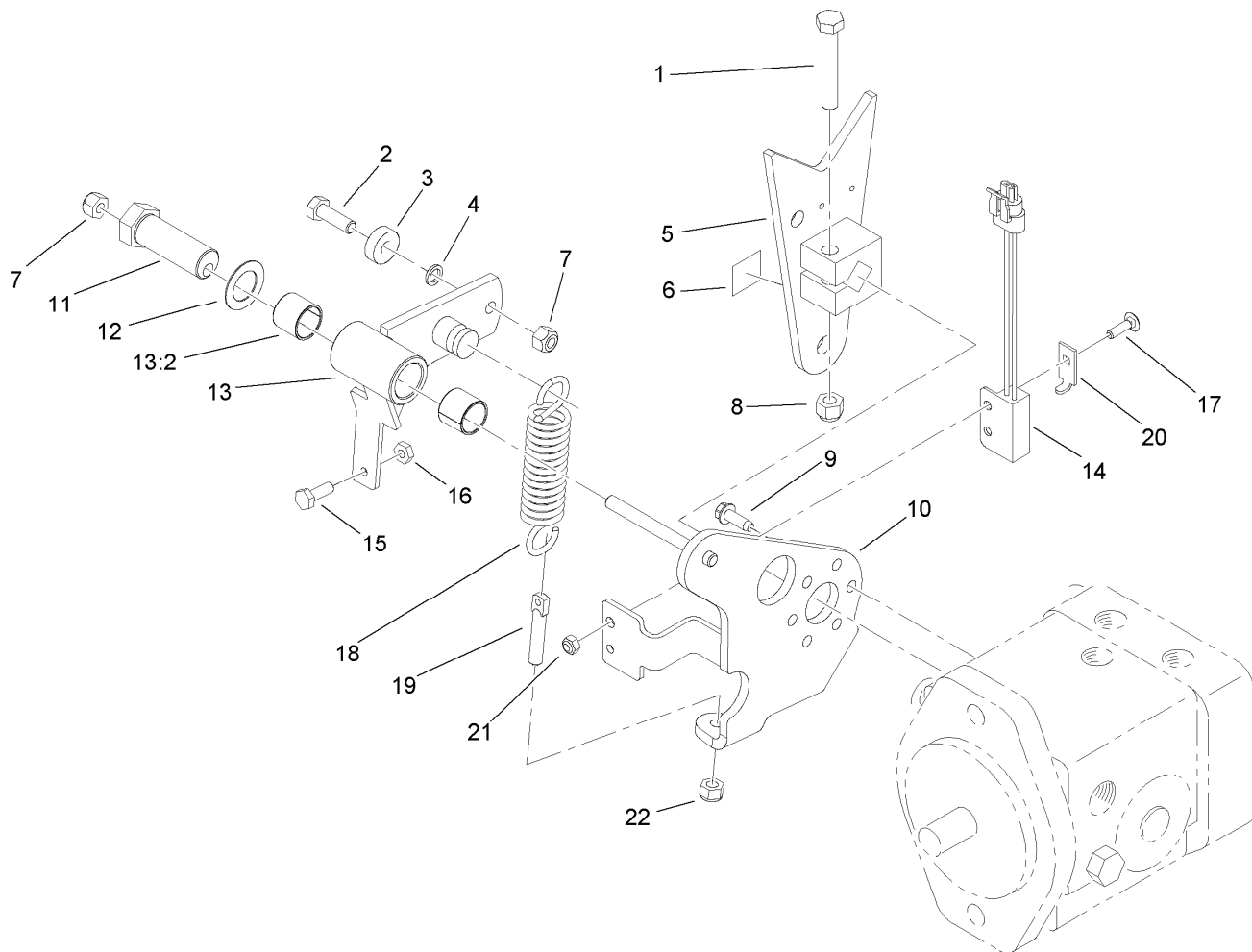
Contents

Front Wheel and Steering Assembly	4
Traction Pedal Assembly	5
Pump Control Lever Assembly	6
Hydraulic Pump Installation Assembly	7
Variable Hydraulic Piston Pump Assembly No. 114-0613	8
Rear Wheel Drive Assembly	10
Hydraulic Cylinder Assembly No. 83-7000	11
Hydraulic Motor Assembly No. 75-9831	12
Hydraulic Motor Assembly No. 75-9840	13
Seat Assembly	14
Fuel Tank Assembly	15
Engine Installation Assembly	16
Dash Panel Assembly	17
Shroud, Relay, Air Cleaner and Oil Cooler Assembly	18
Air Cleaner Assembly No. 95-5805	19
Hydraulic Oil Reservoir and Filter Assembly	20
Lift Valve Installation Assembly	21
Valve Assembly No. 43-1710	22
Brake Installation Assembly	23
Brake Assembly No. 104-7705	24
Cylinder Assembly Briggs and Stratton 305447-0203-E1	25
Crankcase Assembly Briggs and Stratton 305447-0203-E1	26
Crankshaft Assembly Briggs and Stratton 305447-0203-E1	27
Cylinder Head Assembly Briggs and Stratton 305447-0203-E1	28
Oil Filter, Tube and Pump Assembly Briggs and Stratton 305447-0203-E1	29
Carburetor Assembly Briggs and Stratton 305447-0203-E1	30
Governor Assembly Briggs and Stratton 305447-0203-E1	31
Flywheel Assembly Briggs and Stratton 305447-0203-E1	32
Blower Housing Assembly Briggs and Stratton 305447-0203-E1	34
Starter Assembly Briggs and Stratton 305447-0203-E1	35
358 Engine Gasket Set Briggs and Stratton 305447-0203-E1	36
1095 Valve Gasket Set and 121 Carburetor Overhaul Kit Briggs and Stratton 305447-0203-E1	37



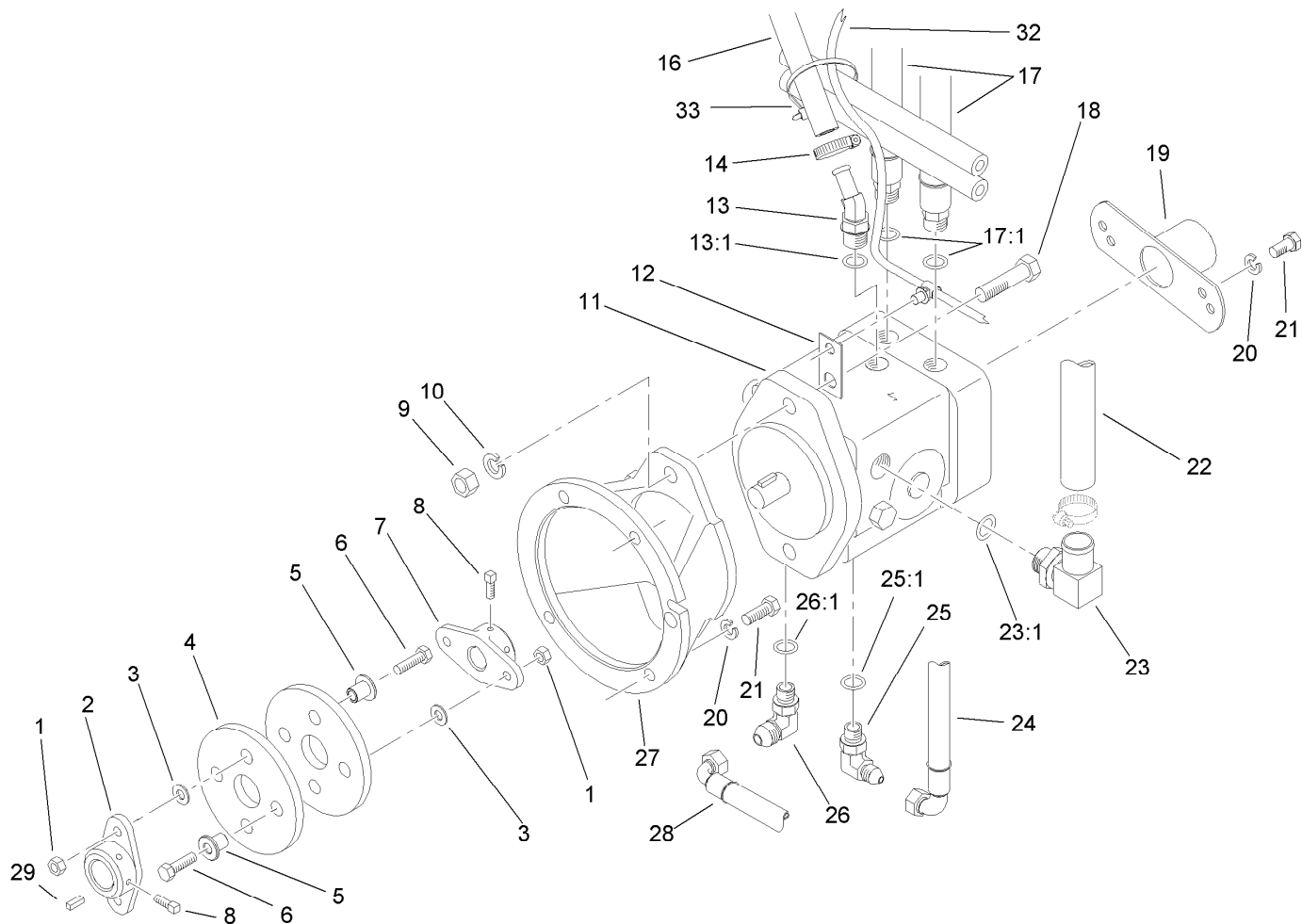
Traction Pedal Assembly

<i>Ref.</i>	<i>Part Number</i>	<i>Qty.</i>	<i>Description</i>
1	322-14	1	Screw-HH
2	3256-23	1	Washer-Flat
3	256-219	2	Bushing
4	85-8960	1	Spacer
5	74-9110	1	Pad-Pedal, Reverse
6	74-9100	1	Pad-Pedal, Forward
7	92-2343-01	1	Pedal ASM
8	3296-29	1	Nut-Lock, NI
9	3218-5	2	Nut-Jam
10	3296-39	1	Nut-Lock, NI
11	3256-24	2	Washer-Flat
12	92-2344	1	Trunion
13	95-0584	1	Rod-Control
14	3256-25	1	Washer-Flat
15	3272-16	1	Pin-Cotter



Pump Control Lever Assembly

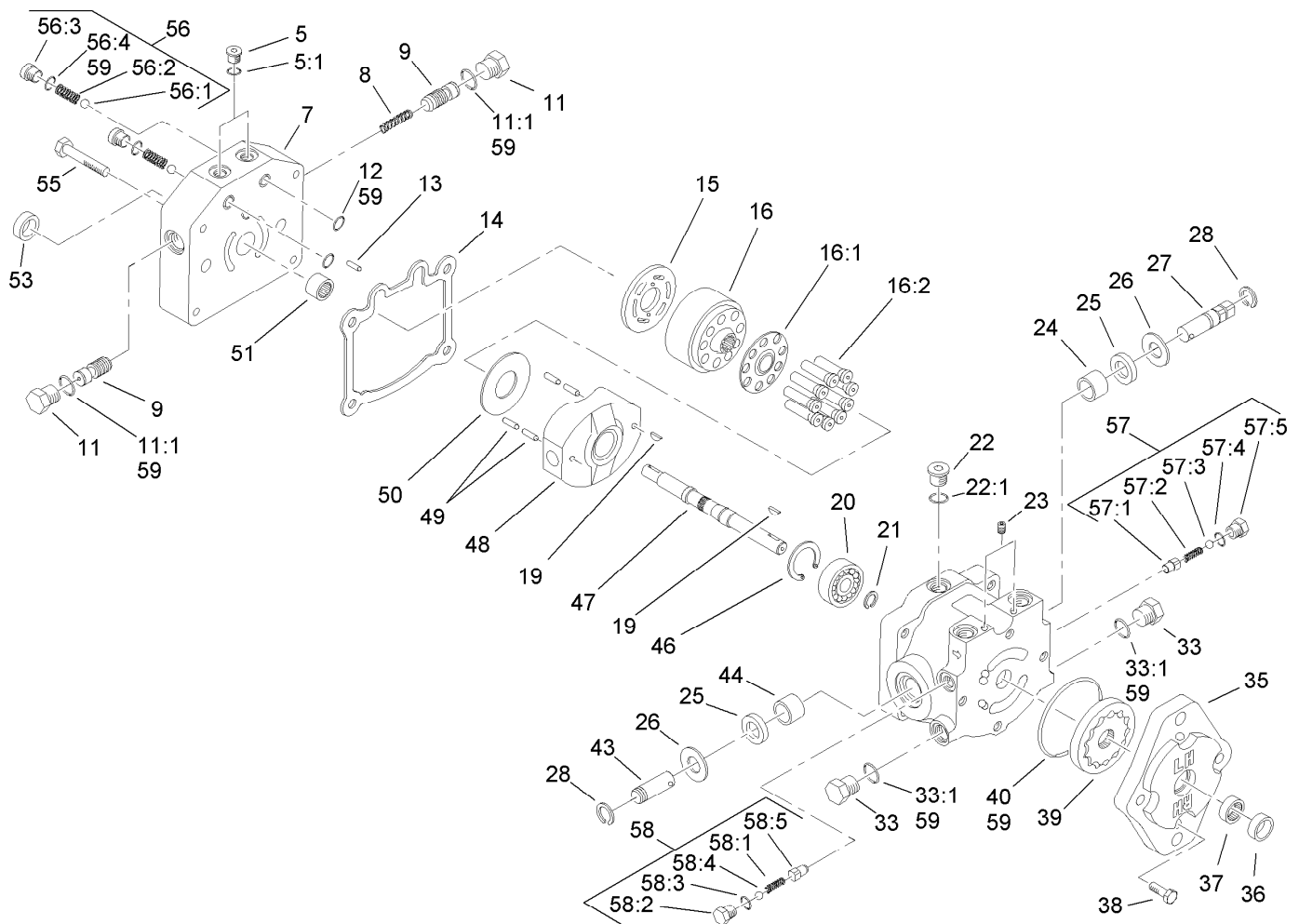
<i>Ref.</i>	<i>Part Number</i>	<i>Qty.</i>	<i>Description</i>
1	323-11	1	Screw-HH
2	322-5	1	Screw-HH
3	251-307	1	Bearing-Ball
4	75-5470	1	Spacer-Bearing
5	85-8300-03	1	Pump Lever ASM
6	93-9051	1	Decal-Bolt, Eccentric
7	3296-29	2	Nut-Lock, NI
8	3296-39	1	Nut-Lock, NI
9	49-2040	3	Screw-HWHTF
10	108-5490-03	1	Pump Plate ASM
11	76-8640	1	Stud-Traction
12	3-6498	1	Washer-Thrust
13	108-5493	1	Arm ASM
13:2	94-9609	2	Bushing-Straight
14	105-0023	1	Switch-Proximity
15	321-4	1	Screw-HH
16	3218-1	1	Nut-Jam
17	3229-20	1	Screw-CARR
18	85-9030	1	Spring-Extension
19	18-6380	1	Pin-Adjustment, Steering
20	100-4872	1	Plate-Switch, Neutral
21	3296-2	1	Nut-Lock, NI
22	3296-4	1	Nut-Lock



Hydraulic Pump Installation Assembly

Ref.	Part Number	Qty.	Description
1	3296-29	4	Nut-Lock, NI
2	110-5236	1	Hub-Engine
3	3256-23	4	Washer-Flat
4	80-8650	2	Coupling-Drive
5	71-4411	4	Spacer
6	322-7	4	Screw-HH
7	110-9695	1	Hub-Pump
8	3241-5	4	Screw-Set
9	3217-9	2	Nut-HH
10	3253-7	2	Washer-Lock
11	114-0613	1	Var HYD Piston Pump ASM
12	112-7639	1	Stand Off-Wire
13	354-126	1	Fitting-HYD, 45 DEG
13:1	237-79	1	O-Ring
14	2412-36	1	Clamp-Hose
16	98-8153	1	Hose-Return
17	95-0595	2	Hose-HYD
17:1	237-79	1	O-Ring

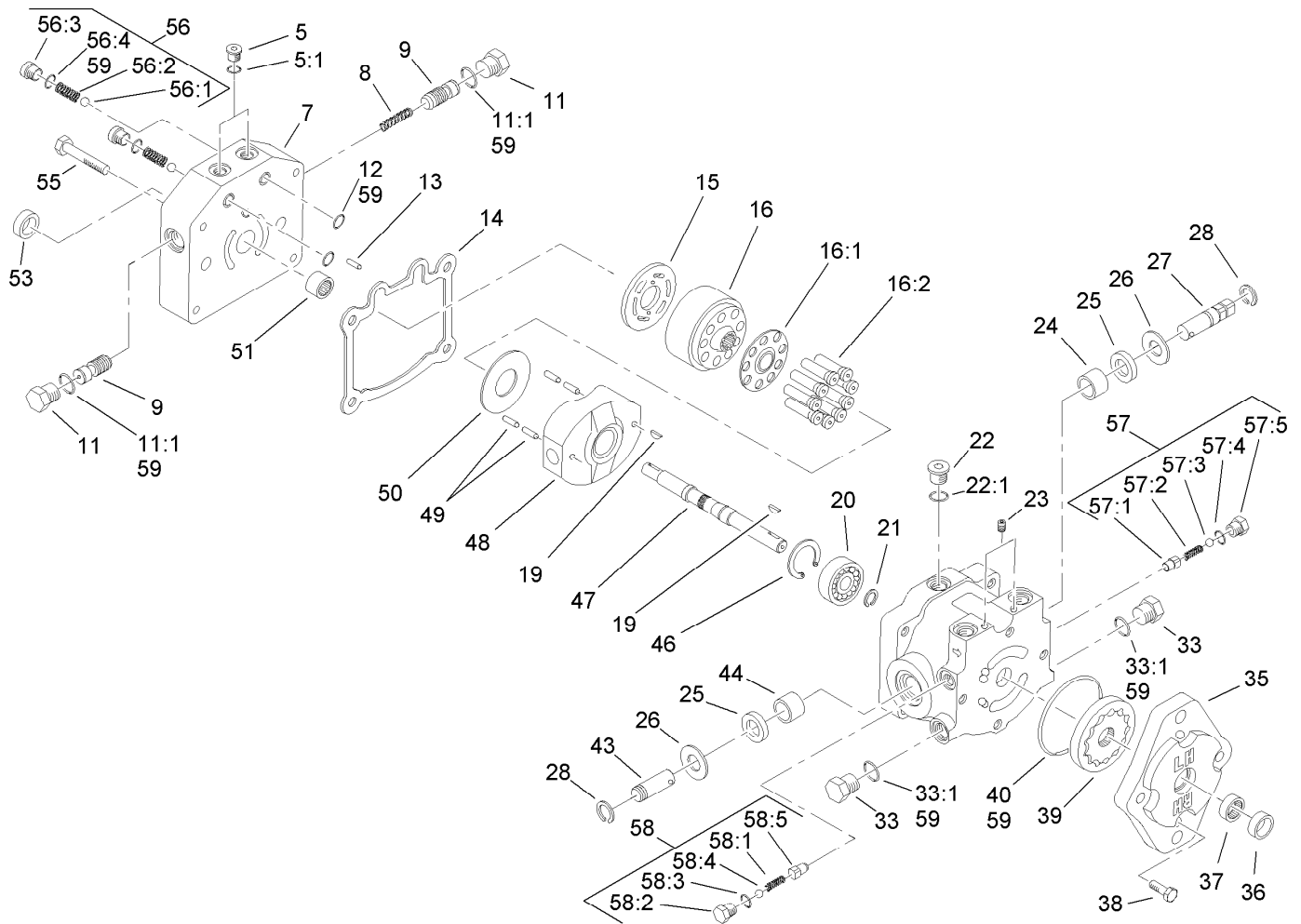
Ref.	Part Number	Qty.	Description
18	325-7	2	Screw-HH
19	95-0632-03	1	Cover ASM
20	3253-5	6	Washer-Lock
21	323-6	6	Screw-HH
22	95-0555	1	Hose-Suction
23	87-8170	1	Fitting
23:1	237-80	1	O-Ring
24	95-0592	1	Hose ASM
25	353-374	1	Elbow-90 DEG
25:1	237-42	1	O-Ring
26	353-511	1	Fitting-HYD, 90 DEG
26:1	237-42	1	O-Ring
27	95-0631-03	1	Mount-Pump
28	95-0591	1	Hose-HYD
29	13-2840	1	Key-Square
32	110-7384	1	Harness-Wire
33	3290-379	6	Tie-Cable



Variable Hydraulic Piston Pump Assembly No. 114-0613

Ref.	Part Number	Qty.	Description	Ref.	Part Number	Qty.	Description
5	92-8776	2	Plug-HSH	28	32151-46	2	Ring-Retaining
5:1	92-8777	1	O-Ring	33	88-8210	2	Plug
7	112-7656	1	Cap-End	33:1	237-80	1	O-Ring
8	25-2610	1	Spring-Valve	35	114-0611	1	Housing-Pump, Charge
9	95-5814	2	Valve-Acceleration	36	67-8060	1	Seal-Lip
11	28-3440	2	Plug-Threaded	37	67-8050	1	Bearing-Needle
11:1	75-0240	1	O-Ring	38	322-4	4	Screw-HH
12	112-7652	2	O-Ring	39	95-5812	1	Gerotor ASM
13	25-2430	1	Pin-Dowel	40	237-95	1	O-Ring
14	25-2400	1	Gasket	43	25-2500	1	Shaft-Trunnion
15	95-5811	1	Plate-Valve	44	252-82	1	Bearing-Needle
16	48-1800	1	Cylinder Block Kit	46	32151-75	1	Ring-Retaining
16:1		1	Retainer-Slipper ●	47	95-5810	1	Shaft
16:2		9	Piston ASM ●	48	25-2450	1	Plate-Swash, Variable
19	3257-32	2	Key-Woodruff	49	32121-91	4	Pin-Spring
20	95-5809	1	Bearing-Ball	50	25-2380	1	Plate-Thrust
21	94-3996	1	Ring-Retaining	51	46-8400	1	Bearing-Shaft
22	353-988	1	Plug-Hex	53	88-8230	1	Seal-Lip
22:1	237-79	1	O-Ring	55	323-45	4	Screw-HH
23	285-17	2	Plug-Pipe	56	99-5689	1	Check Valve Kit
24	88-8190	1	Bearing-Journal	56:1	25-2490	1	Ball
25	25-3210	2	Seal-Lip	56:2	25-2640	1	Spring-Valve
26	25-2510	2	Washer-Flat	56:3	25-2650	1	Plug-Valve, Check
27	88-8180	1	Shaft-Trunnion	56:4	237-86	1	O-Ring

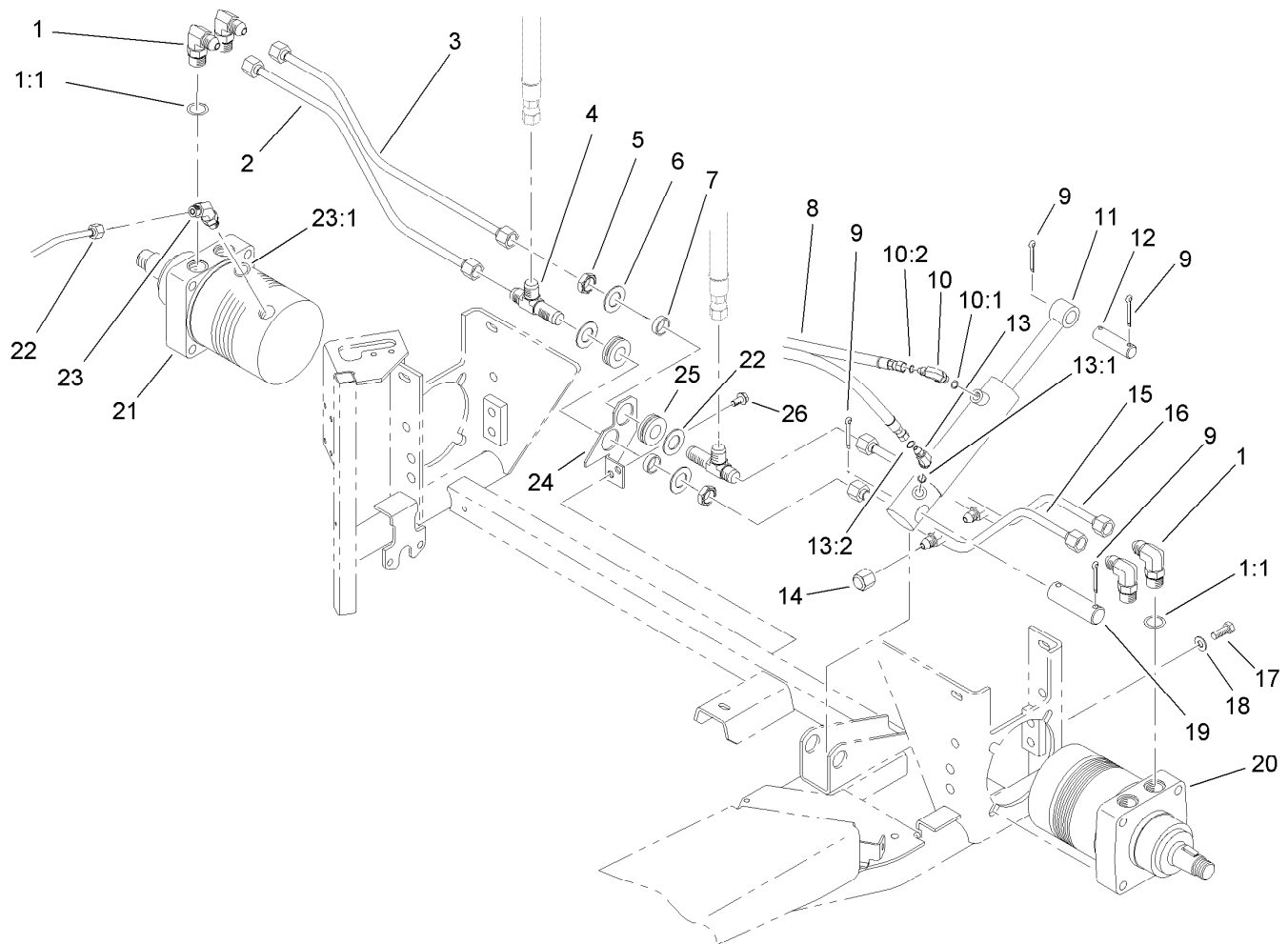
● Not serviced separately



Variable Hydraulic Piston Pump Assembly No. 114-0613 (continued)

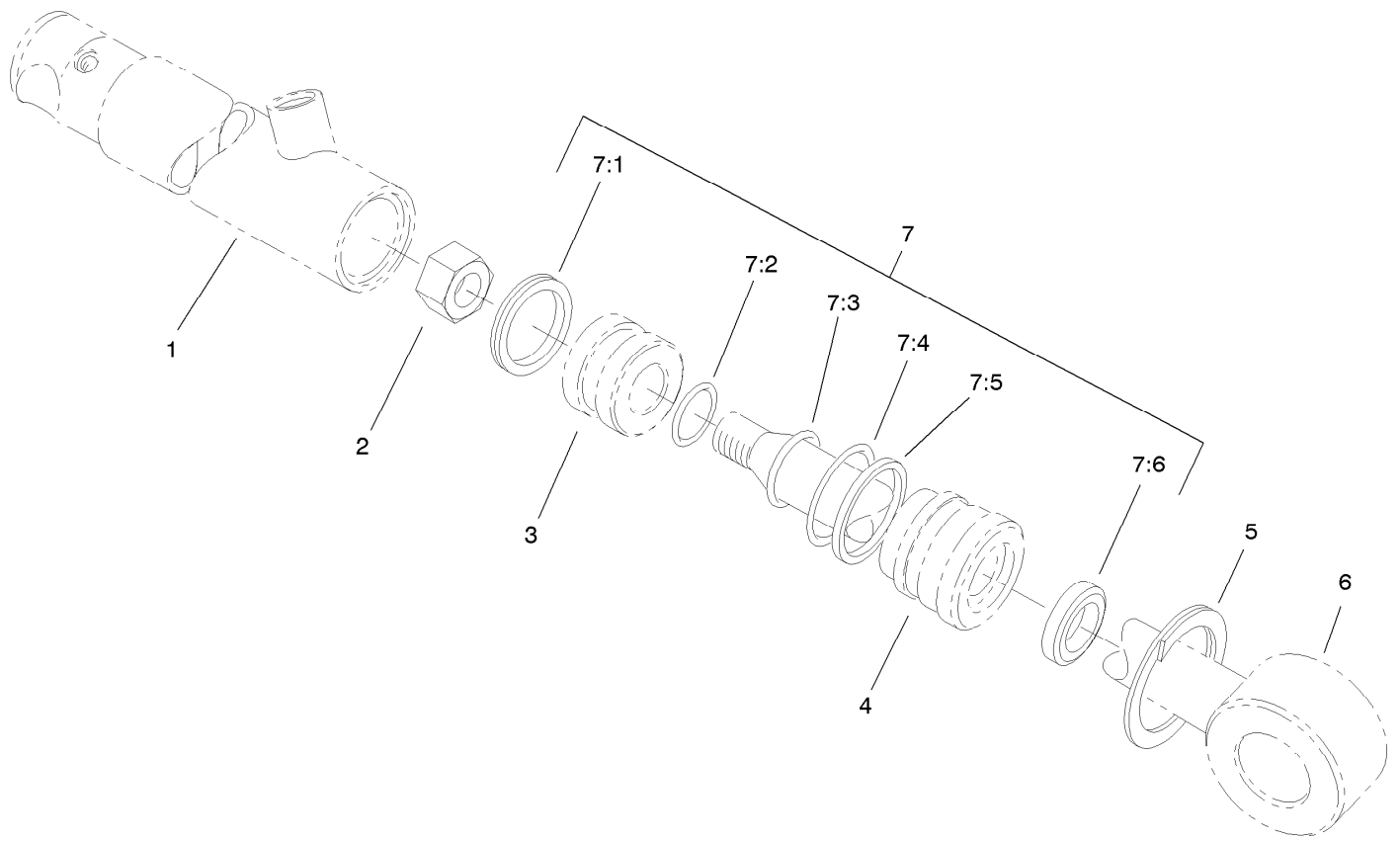
<i>Ref.</i>	<i>Part Number</i>	<i>Qty.</i>	<i>Description</i>	<i>Ref.</i>	<i>Part Number</i>	<i>Qty.</i>	<i>Description</i>
57	49-8520	1	Implement Relief Kit	58:1	25-2480	1	Spring-Valve
57:1	83-7260	1	Cone-Relief, Charge	58:2	25-2460	1	Plug-HH
57:2	25-2570	1	Spring-Valve	58:3	237-86	1	O-Ring
57:3	25-2470	1	Pack-Shim	58:4	25-2470	1	Pack-Shim
57:4	237-86	1	O-Ring	58:5	83-7260	1	Cone-Relief, Charge
57:5	25-2460	1	Plug-HH	59	114-0618	1	Kit-Seal
58	49-8510	1	Valve Kit				

● Not serviced separately



Rear Wheel Drive Assembly

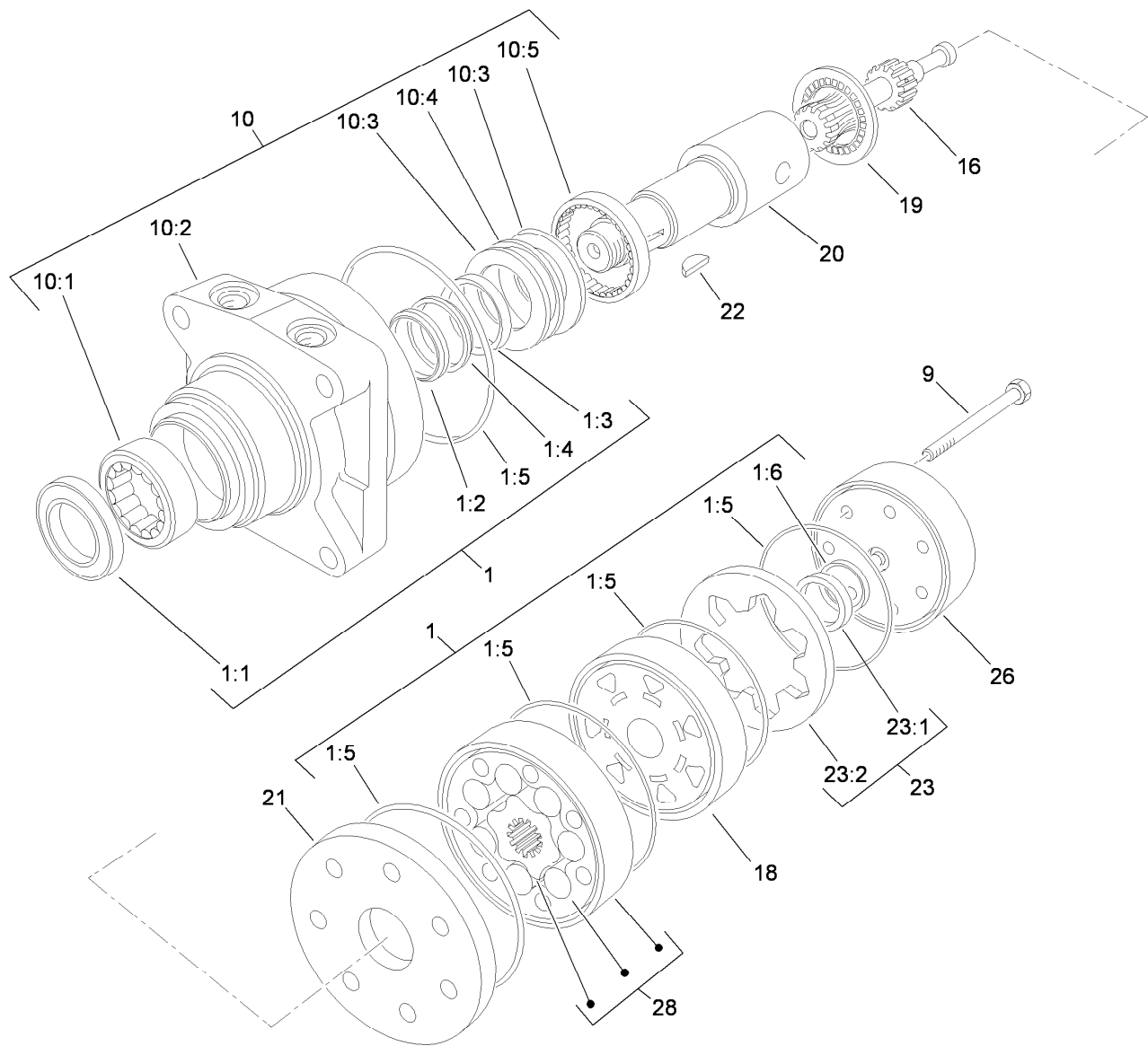
<i>Ref.</i>	<i>Part Number</i>	<i>Qty.</i>	<i>Description</i>	<i>Ref.</i>	<i>Part Number</i>	<i>Qty.</i>	<i>Description</i>
1	353-426	4	Fitting-90 DEG	13:1	237-78	1	O-Ring
1:1	237-80	1	O-Ring	13:2	237-21	1	O-Ring
2	95-0564	1	Tube-RH, Front	14	95-0594	2	Fitting-Cap
3	95-0559	1	Tube-RH, Rear	15	95-0560	1	Tube-LH, Front
4	95-0577	2	Fitting-Bulkhead	16	95-0567	1	Tube-LH, Rear
5	95-0642	2	Locknut-Bulkhead	17	325-5	4	Screw-HH
6	69-8930	4	Washer	18	3256-26	4	Washer-Flat
7	69-8960	2	Spacer	19	18-7160	1	Pin-Cylinder
8	75-6200	2	Hose	20	75-9831	1	HYD Motor ASM
9	3272-23	4	Pin-Cotter	21	75-9840	1	HYD Motor ASM
10	340-132	1	Fitting-HYD, 90 DEG	22	95-0575	1	Tube-Valve, Shuttle
10:1	237-78	1	O-Ring	23	353-212	1	Fitting-HYD, 45 DEG
10:2	237-21	1	O-Ring	23:1	237-42	1	O-Ring
11	83-7000	1	HYD Cylinder ASM	24	95-0568-01	1	Bracket-Bulkhead
12	18-7310	1	Pin-Cylinder	25	240-5	2	Grommet-Rubber
13	340-103	1	Fitting-HYD, 45 DEG	26	32144-14	2	Screw-HWHTF



Hydraulic Cylinder Assembly No. 83-7000

<i>Ref.</i>	<i>Part Number</i>	<i>Qty.</i>	<i>Description</i>
1		1	Barrel ASM ●
2	32152-10	1	Locknut
3		1	Piston ●
4		1	Head ●
5	43-5220	1	Ring-Retaining
6		1	Shaft W/Clevis ●
7	86-5360	1	Seal Repair Kit
7:1		1	Uniring-Grooved ●
7:2		1	O-Ring ●
7:3		1	O-Ring ●
7:4		1	O-Ring ●
7:5		1	Back-Up ●
7:6		1	Seal-Dust ●

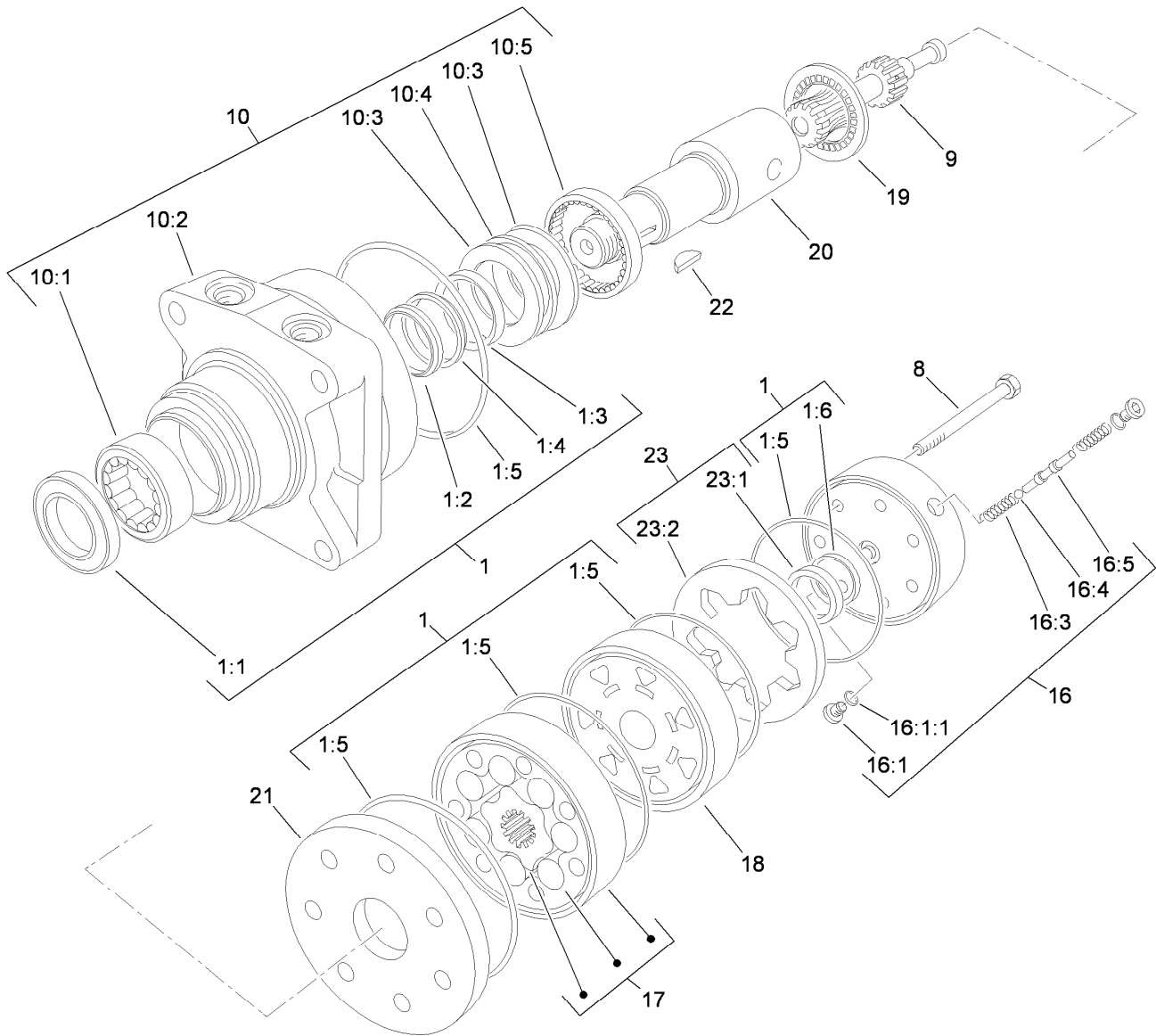
● Not serviced separately



Hydraulic Motor Assembly No. 75-9831

Ref.	Part Number	Qty.	Description	Ref.	Part Number	Qty.	Description
1	94-8178	1	Seal Kit	10:5		1	Bearing ●
1:1		1	Seal-Dirt And Water ●	16	76-0820	1	Line-Drive
1:2		1	Backup-Ring ●	18	76-0840	1	Manifold
1:3		1	Seal-Shaft ●	19	76-0850	1	Bearing-Thrust
1:4		1	Washer-Backup ●	20	76-0860	1	Shaft-Coupling
1:5		5	Seal-Square, Ring (Inner) ●	21	76-0870	1	Plate-Wear
1:6		1	Seal-Commutator ●	22	3257-42	1	Key-Woodruff
9	76-1020	7	Screw-Cap, HH	23	76-0880	1	Commutator ASM
10	76-0810	1	Housing ASM	23:1		1	Commutator ●
10:1		1	Bearing ●	23:2		1	Ring-Commutator ●
10:2		1	Housing ●	26	76-0940	1	End Cover ASM
10:3		2	Washer-Thrust ●	28	76-0830	1	Rotor Set
10:4		1	Bearing-Thrust ●				

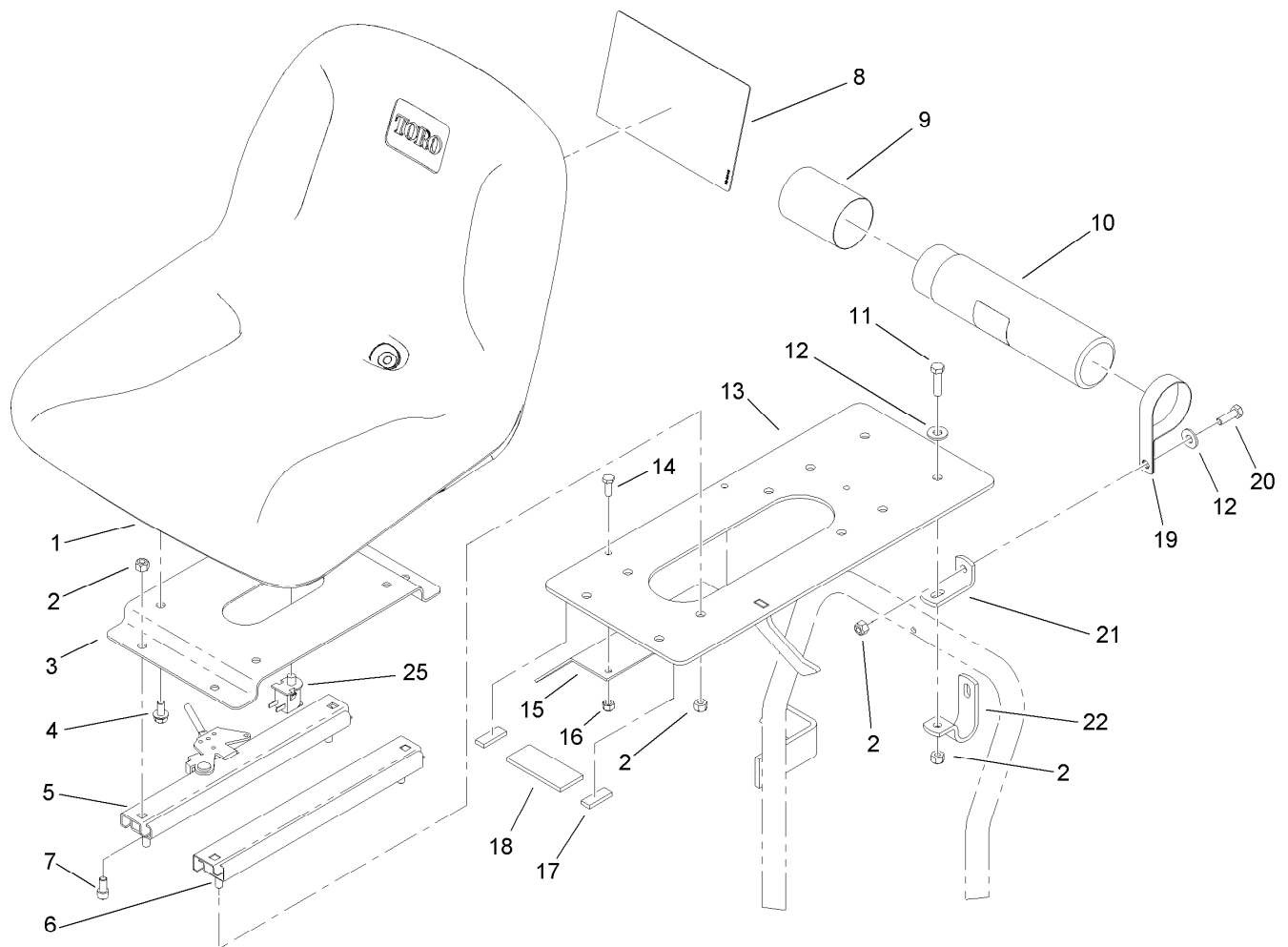
● Not serviced separately



Hydraulic Motor Assembly No. 75-9840

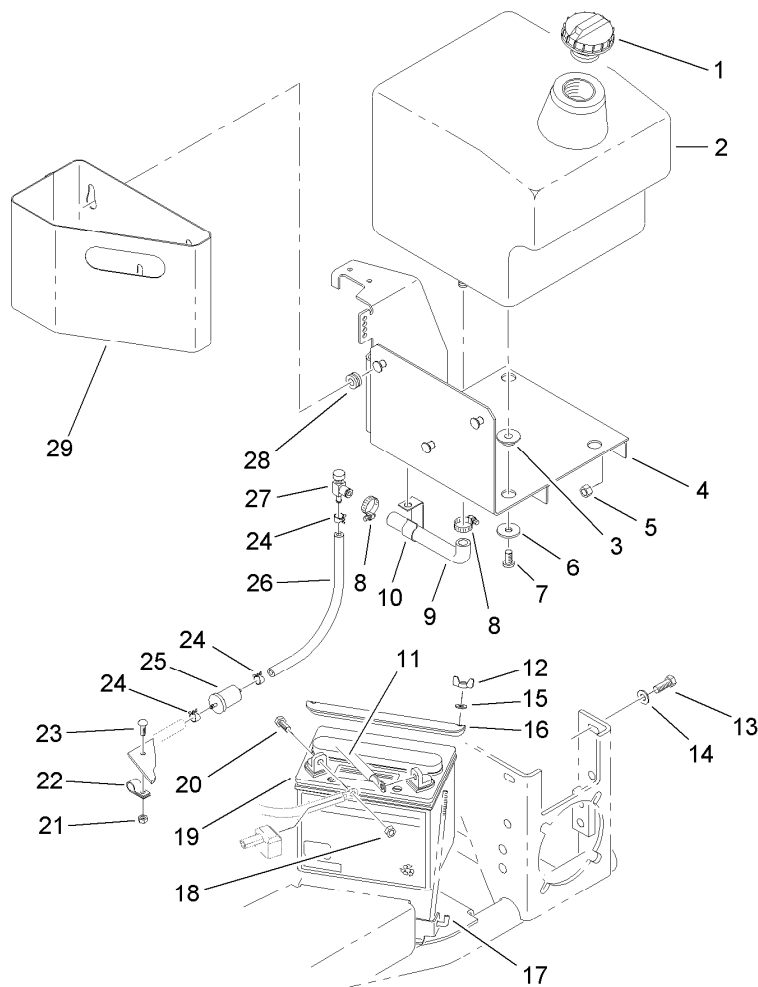
Ref.	Part Number	Qty.	Description	Ref.	Part Number	Qty.	Description
1	94-8178	1	Seal Kit	16	76-0890	1	End Cover ASM
1:1		1	Seal-Dirt And Water ●	16:1	353-990	2	Plug
1:2		1	Backup-Ring ●	16:1:1	237-78	1	O-Ring
1:3		1	Seal-Shaft ●	16:3		2	Spring ●
1:4		1	Washer-Backup ●	16:4		1	Ball ●
1:5		5	Seal-Square, Ring (Inner) ●	16:5		1	Valve-Shuttle ●
1:6		1	Seal-Commutator ●	17	76-0830	1	Rotor Set
8	76-1040	7	Screw-Cap, HH	18	76-0840	1	Manifold
9	76-0820	1	Line-Drive	19	76-0850	1	Bearing-Thrust
10	76-0810	1	Housing ASM	20	76-0860	1	Shaft-Coupling
10:1		1	Bearing ●	21	76-0870	1	Plate-Wear
10:2		1	Housing ●	22	3257-42	1	Key-Woodruff
10:3		2	Washer-Thrust ●	23	76-0880	1	Commutator ASM
10:4		1	Bearing-Thrust ●	23:1		1	Commutator ●
10:5		1	Bearing ●	23:2		1	Ring-Commutator ●

● Not serviced separately



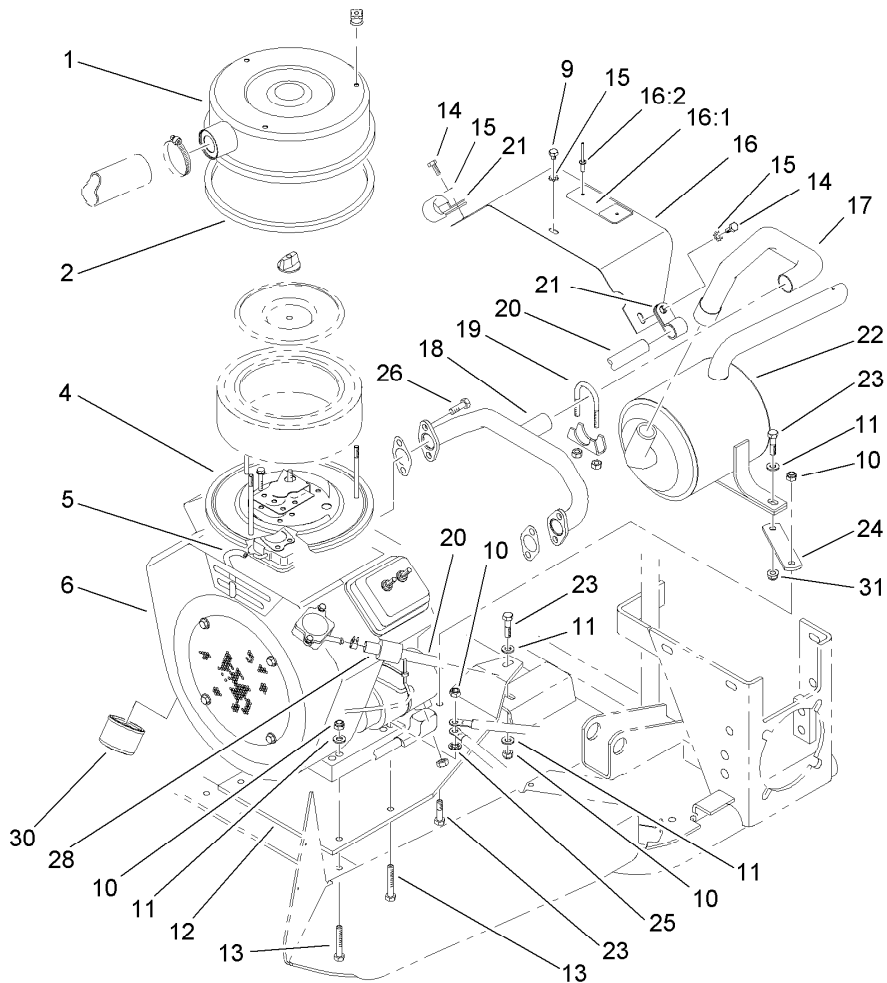
Seat Assembly

Ref.	Part Number	Qty.	Description
1	108-6878	1	Seat
2	3296-29	12	Nut-Lock, NI
3	110-7374-03	1	Mount-Seat
4	3234-14	4	Screw-HHF
5	51-0790	1	Adjuster-Seat, LH
6	51-0780	1	Slider-Seat
7	3274-12	4	Screw-HSH
8	114-4318	1	Decal-Reference, Quick
9	104-7048	1	Cap-Housing
10	104-7050	1	Tube-Manual
11	322-6	2	Screw-HH
12	3256-3	4	Washer-Flat
13	112-7682-03	1	Seat Plate ASM
14	321-4	2	Screw-HH
15	95-5840-03	1	Shield-Base, Seat
16	3296-42	2	Nut-Lock, NI
17	74-0340	2	Cushion-Rubber
18	74-0342	1	Cushion-Rubber
19	2412-133	2	R-Clamp
20	322-5	2	Screw-HH
21	92-8973	2	Angle
22	92-8972	2	Clamp-Seat
25	82-2190	1	Switch-Bail



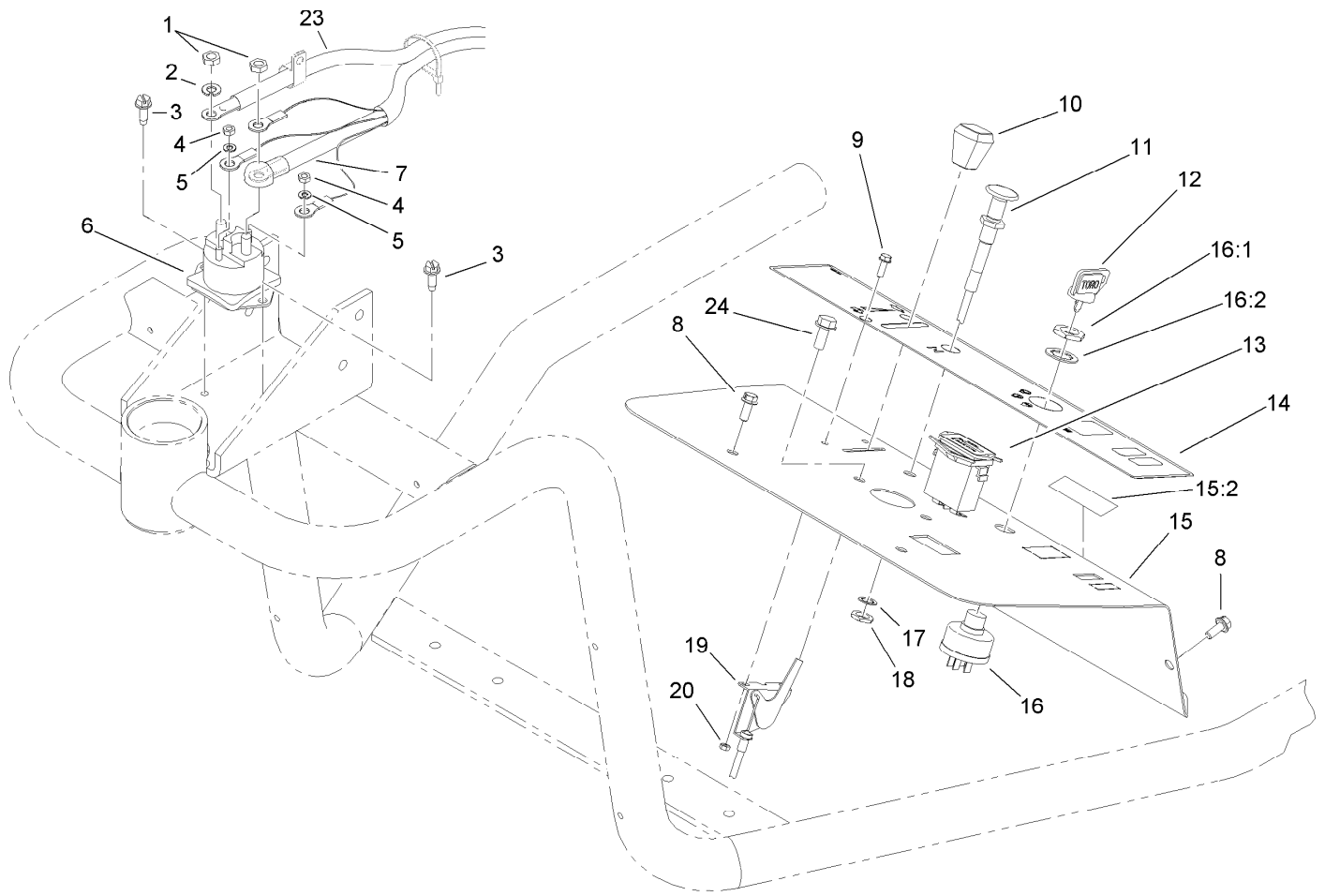
Fuel Tank Assembly

<i>Ref.</i>	<i>Part Number</i>	<i>Qty.</i>	<i>Description</i>	<i>Ref.</i>	<i>Part Number</i>	<i>Qty.</i>	<i>Description</i>
1	93-7170	1	Cap-Fuel	16	92-5018-03	1	Clamp-Battery
2	92-7186	1	Tank-Fuel	17	100-6435	2	Post-Battery
3	240-11	4	Bushing-Flange	18	3296-29	2	Nut-Lock, NI
4	95-0576-03	1	Base-Tank, Fuel	19	104-8162	1	Battery
5	3296-39	3	Nut-Lock, NI	20	322-3	2	Screw-HH
6	63-8410	4	Washer	21	3296-42	1	Nut-Lock, NI
7	3250-36	4	Screw-PPH	22	2412-73	1	Clamp-R
8	2412-36	2	Clamp-Hose	23	3274-69	1	Screw-HSBH
9	110-8151	1	Hose-Fuel, Formed	24	2412-98	4	Clamp
10	92-7160	1	Clip	25	94-2690	1	Filter-Fuel
11	110-8843	1	Cable-Battery, Negative	26	109-0294	1	Hose-Fuel
12	32103-12	2	Nut-Wing	27	83-1390	1	Valve-Shut-Off, Fuel
13	323-7	3	Screw-HH	28	240-9	3	Grommet
14	3256-24	3	Washer-Flat	29	86-7640-01	1	Box-Litter
15	3256-22	2	Washer-Flat				



Engine Installation Assembly

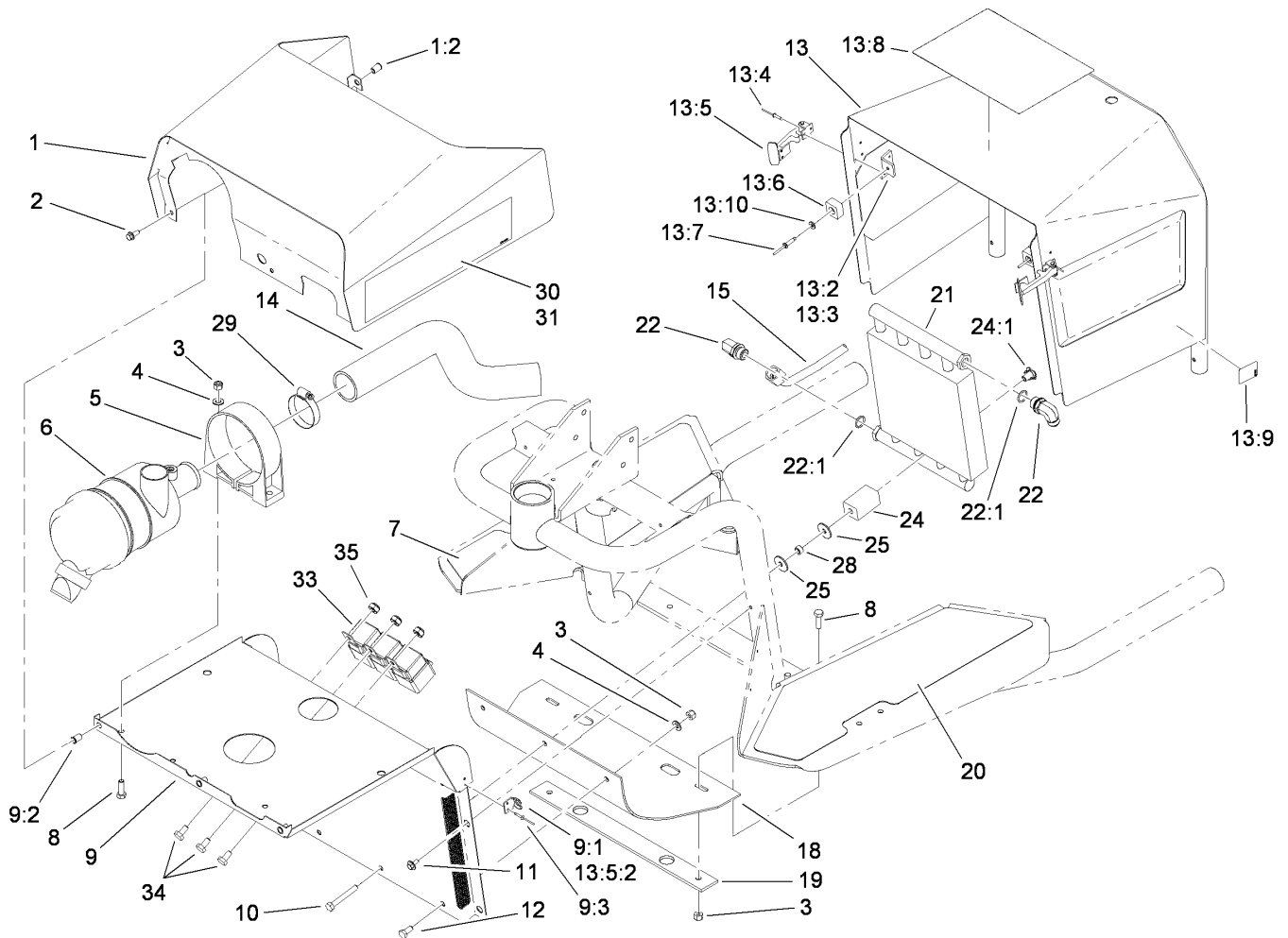
<i>Ref.</i>	<i>Part Number</i>	<i>Qty.</i>	<i>Description</i>	<i>Ref.</i>	<i>Part Number</i>	<i>Qty.</i>	<i>Description</i>
1	114-0607-03	1	Air Cleaner Cover ASM	16:2	3269-32	2	Rivet-Pop
2	85-8360	1	Gasket-Ring	17	95-0551	1	Tube-Exhaust
4	85-8430-03	1	Base-Cleaner, Air	18	95-0550	1	Manifold-Exhaust
5	75-4705	1	Hose-Fuel	19	95-0586	2	Clamp ASM
6	114-0605	1	Engine-Briggs & Stratton, 305447-0203-E1	20	109-0302	1	Hose-Fuel
9	33113-008	1	Screw-HH	21	2412-73	2	Clamp-R
10	3296-29	6	Nut-Lock, NI	22	95-0552	1	Muffler
11	3256-23	6	Washer-Flat	23	322-5	3	Screw-HH
12	95-0556-03	1	Base-Engine	24	114-0608	1	Bracket-Muffler
13	322-10	4	Screw-HH	25	3255-8	1	Washer-Lock
14	33113-012	2	Screw-HH	26	94-5300	4	Screw-HHF
15	3255-7	3	Washer-Lock/EXT	28	38-3400	1	Guard-Rubber
16	105-8523	1	Muffler Shield ASM	30	107-7817	1	Filter-Oil
16:1	95-0645	1	Plate-Surface, Hot	31	104-8300	1	Nut-Flange, NI



Dash Panel Assembly

<i>Ref.</i>	<i>Part Number</i>	<i>Qty.</i>	<i>Description</i>	<i>Ref.</i>	<i>Part Number</i>	<i>Qty.</i>	<i>Description</i>
1	3218-13	2	Nut-Jam, Brass	14	112-7629	1	Decal-Dash
2	3253-4	2	Washer-Lock	15	110-7396	1	Dash Panel ASM
3	32104-95	2	Screw-HWH	15:2	93-9052	1	Decal-Danger
4	3219-14	2	Nut-Hex	16	83-0020	1	Switch-Ignition
5	3253-17	2	Washer-Lock	16:1	218-461	1	Nut-HH
6	28-4210	1	Solenoid	16:2	3254-5	1	Washer-Tooth, Internal
7	110-8844	1	Cable-Battery, Positive	17	3254-6	1	Washer-Lock, Internal
8	3234-33	4	Screw-HHF	18	3219-3	1	Nut-Hex
9	32105-2	2	Screw-SHWH	19	112-7688	1	Control-Throttle
10	66-0120	1	Knob	20	3296-12	2	Nut-Lock, NI
11	112-7689	1	Control-Choke	23	95-5825	1	Wire ASM
12	63-8360	2	Key-Ignition	23:1	83-2430	1	Boot-Terminal ●
13	1-513374	1	Meter-Hour	24	32144-14	2	Screw-HWHTF

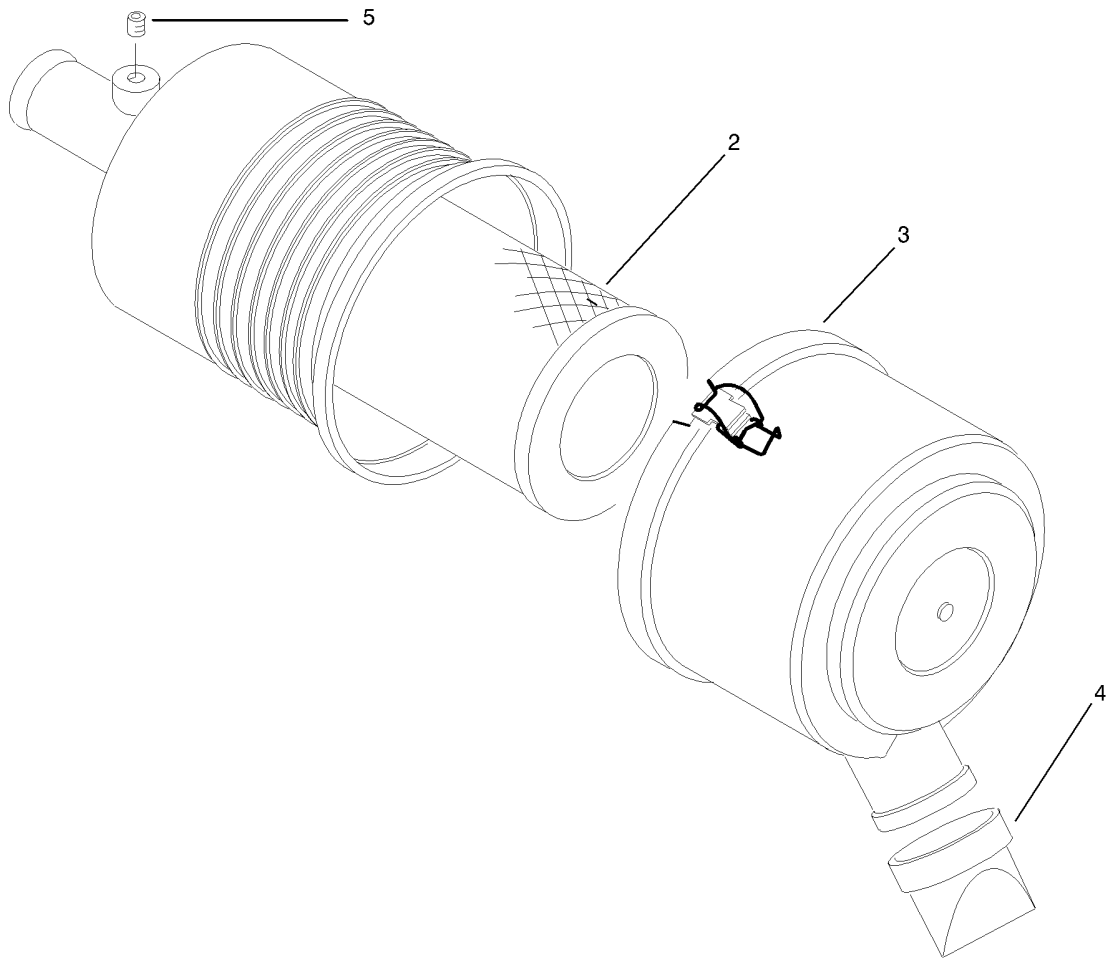
● Not illustrated



Shroud, Relay, Air Cleaner and Oil Cooler Assembly

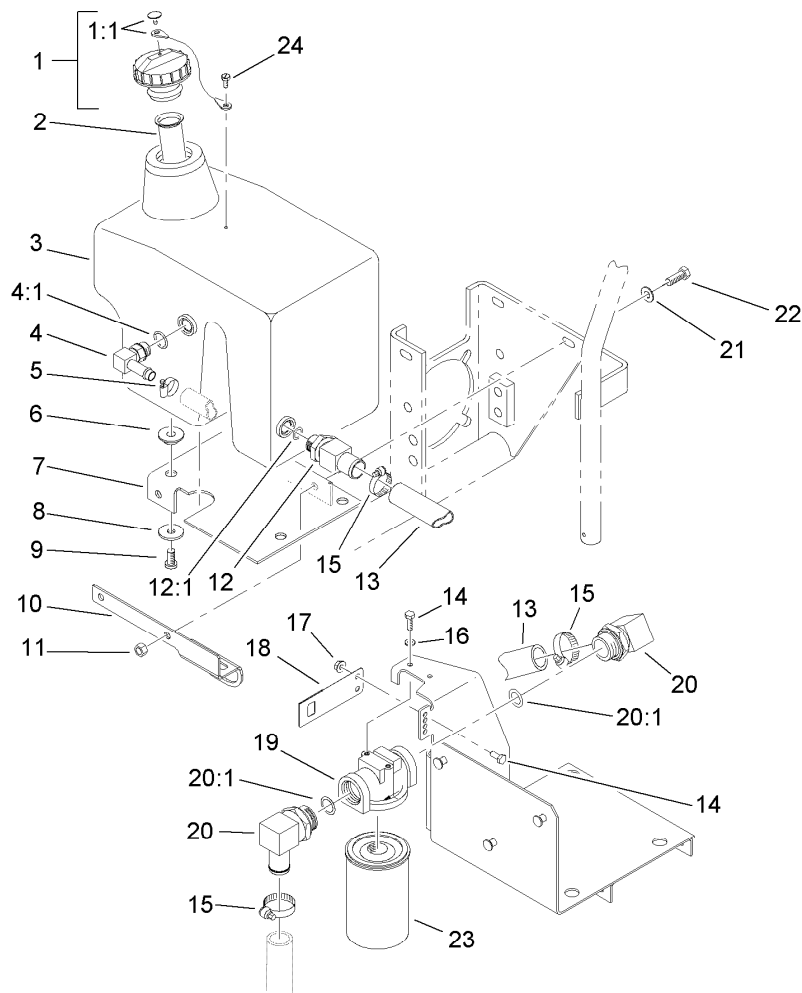
Ref.	Part Number	Qty.	Description
1	99-1644	1	Dash Shroud ASM
1:2	32148-6	4	Insert-Nut
2	3234-33	3	Screw-HHF
3	3296-29	6	Nut-Lock, NI
4	3256-23	4	Washer-Flat
5	95-5806	1	Bracket-Mounting
6	95-5805	1	Air Cleaner ASM
7	92-7158	1	Tread-Floor, RH
8	322-5	4	Screw-HH
9	95-5817	1	Front Shield ASM
9:1	249-40	2	Keeper
9:2	32148-6	3	Insert-Nut
9:3	3269-8	4	Rivet-Blind
10	322-11	2	Screw-HH
11	46-8560	6	Screw-HHFTF
12	322-2	2	Screw-HH
13	95-0610	1	Engine Cover ASM
13:2	95-0611	1	Bracket-RH
13:3	95-0612	1	Bracket-LH
13:4	3269-8	6	Rivet-Blind
13:5	59-9740	2	Flex Draw Latch ASM
13:5:2	249-40	1	Keeper
13:6	94-1392	2	Pad-Rubber

Ref.	Part Number	Qty.	Description
13:7	3269-28	2	Rivet-Pop
13:8	92-8985	1	Decal-Operating
13:9	93-7252	1	Decal-Ce Mark
13:10	3256-14	2	Washer-Flat
14	95-0582	1	Hose-Intake, Air
15	114-0679	1	Tube-HYD
18	95-5826	1	Shield-Rubber
19	95-0620-01	1	Strip-Retainer
20	92-7159	1	Tread-Floor, LH
21	92-8997	1	Cooler-Oil
22	353-371	2	Fitting-Elbow-90
22:1	237-79	1	O-Ring
24	85-9550	2	Rubber Clamp ASM
24:1	85-9670	1	T-Nut
25	3256-82	3	Washer-Flat
28	85-9120	2	Spacer-Pivot, Tilt
29	2412-92	2	Clamp-Hose
30	106-8101	2	Decal
31	106-8102	2	Decal
33	99-7430	3	Relay
34	321-2	3	Screw-HH
35	3296-16	3	Nut-Lock, NI



Air Cleaner Assembly No. 95-5805

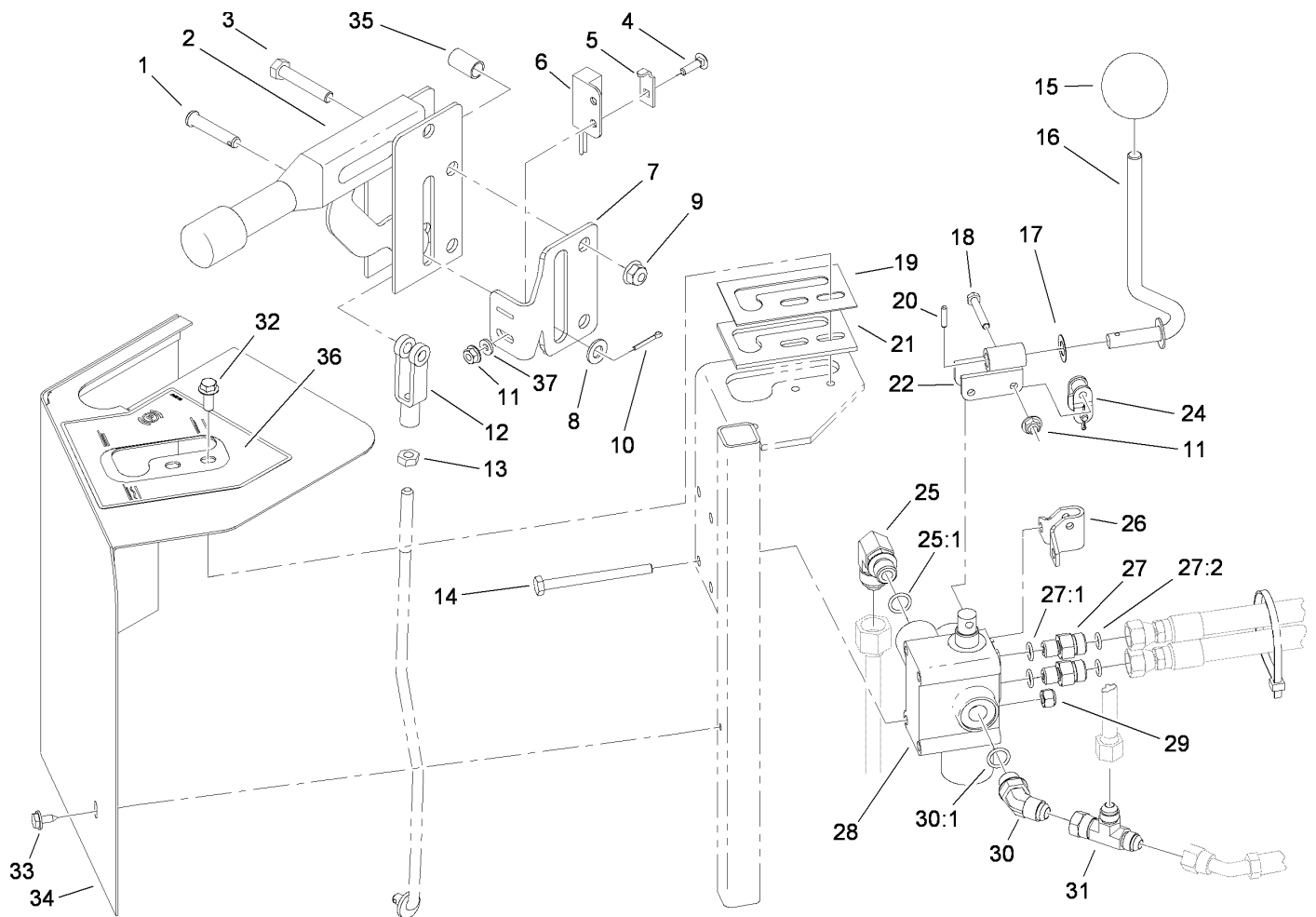
<i>Ref.</i>	<i>Part Number</i>	<i>Qty.</i>	<i>Description</i>
2	108-3811	1	Filter-Air
3	94-3652	1	Cover ASM
4	87-9400	1	Valve-Vacuator
5	285-17	1	Plug-Pipe



Hydraulic Oil Reservoir and Filter Assembly

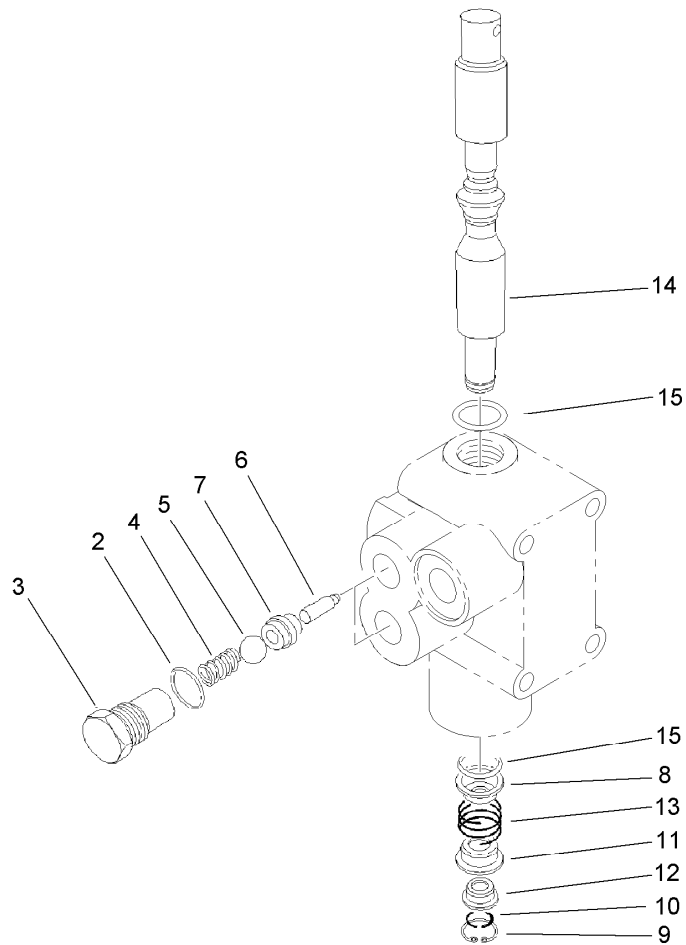
Ref.	Part Number	Qty.	Description
1	93-4365	1	Cap-Oil
1:1	75-0540	1	Tether And Button Kit
2	92-1705	1	Filter-Screen
3	98-0968	1	Tank-HYD
4	354-120	1	Fitting-HYD, 90 DEG
4:1	237-79	1	O-Ring
5	2412-36	1	Clamp-Hose
6	240-11	4	Bushing-Flange
7	95-0590-03	1	Base-Tank, HYD
8	63-8410	3	Washer
9	3250-36	3	Screw-PPH
10	112-7683	1	Shield-Muffler
11	3296-39	3	Nut-Lock, NI
12	354-136	1	Fitting-HYD

Ref.	Part Number	Qty.	Description
12:1	237-80	1	O-Ring
13	107-2152	1	Hose-Suction
14	321-3	4	Screw-HH
15	2412-129	4	Clamp-Hose
16	3253-3	2	Washer-Lock
17	32128-33	2	Nut-HF
18	112-7677	1	Clip-Spring
19	68-8990	1	Filter Head ASM
20	353-987	2	Fitting-HYD, 90
20:1	237-81	1	O-Ring
21	3256-24	3	Washer-Flat
22	323-7	3	Screw-HH
23	23-9740	1	Filter-Oil
24	57-5420	1	Screw-Shoulder



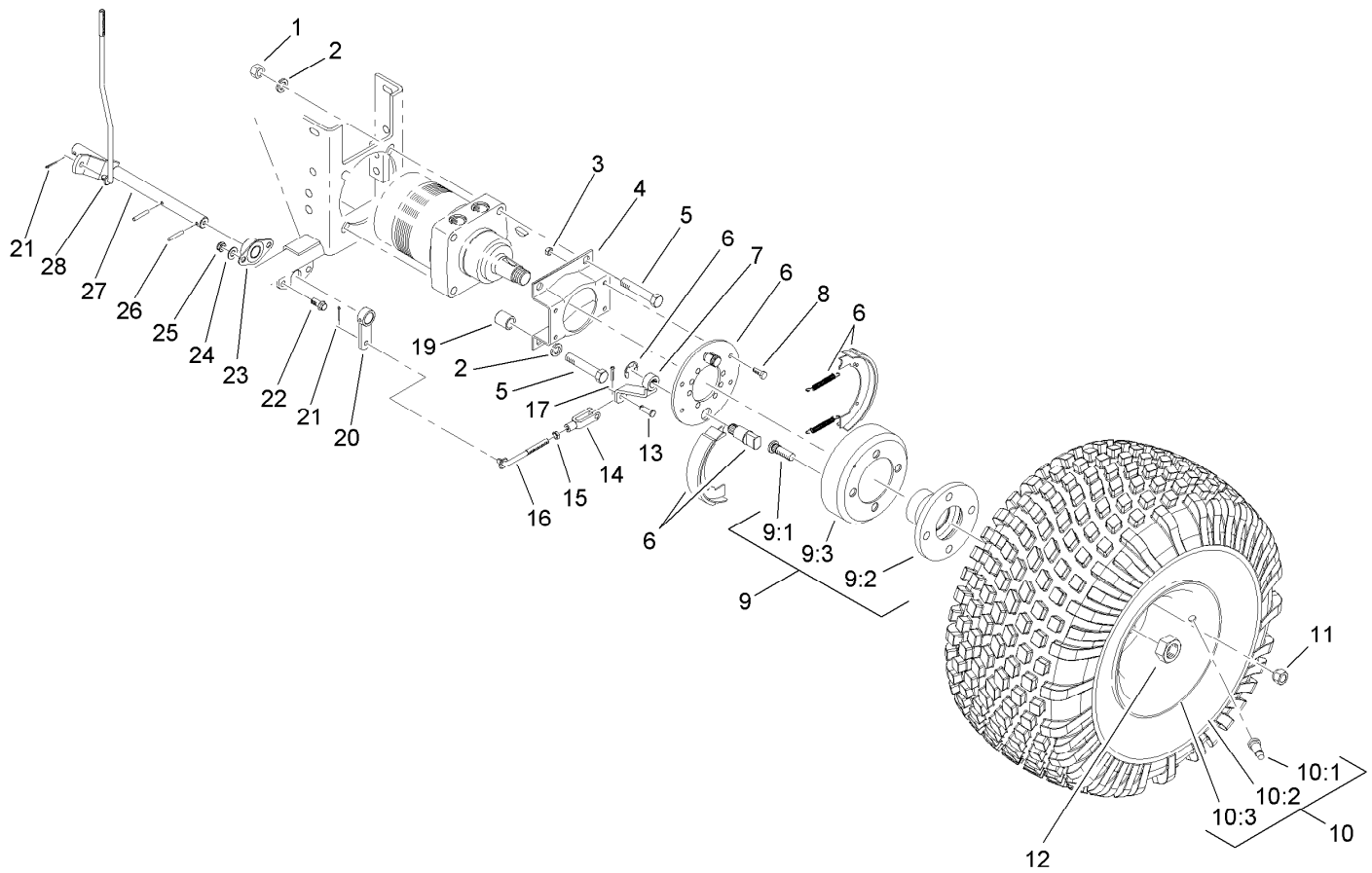
Lift Valve Installation Assembly

Ref.	Part Number	Qty.	Description	Ref.	Part Number	Qty.	Description
1	94-3829	1	Pin-Clevis	21	21-8640	1	Latch-Lever, Valve
2	95-0636	1	Lever-Brake	22	92-8983	1	Pivot
3	322-21	2	Screw-HH	24	2710-20	1	Link-Offset
4	3229-20	1	Screw-CARR	25	353-511	1	Fitting-HYD, 90 DEG
5	100-4872	1	Plate-Switch, Neutral	25:1	237-42	1	O-Ring
6	106-9288	1	Sensor-Proximity, Ferrous	26	88-8480	1	Bracket-Pivot
7	114-4364	1	Bracket-Sensor, Brake	27	340-92	2	Fitting-HYD, Straight
8	3256-23	1	Washer-Flat	27:1	237-78	1	O-Ring
9	104-8300	2	Nut-Flange, NI	27:2	237-21	1	O-Ring
10	3272-6	1	Pin-Cotter	28	43-1710	1	Valve ASM
11	32128-17	3	Nut-Lock, Flange	29	3296-42	4	Nut-Lock, NI
12	282-2	1	Yoke	30	353-212	1	Fitting-HYD, 45 DEG
13	3220-2	1	Nut-Jam	30:1	237-42	1	O-Ring
14	321-23	4	Screw-HH	31	353-877	1	Fitting-HYD, Tee (Swivel)
15	233-21	1	Knob	32	3234-33	2	Screw-HHF
16	92-8981	1	Lift Lever ASM	33	32104-76	1	Screw
17	3290-477	1	Washer-Curved	34	95-0601-01	1	Valve Shroud ASM
18	3290-360	2	Screw-HH	35	85-0290	2	Spacer-Pivot, Seat
19	95-5833	1	Guide-Lever	36	95-0647	1	Decal-Control
20	32121-73	1	Pin-Roll	37	3256-21	1	Washer-Flat



Valve Assembly No. 43-1710

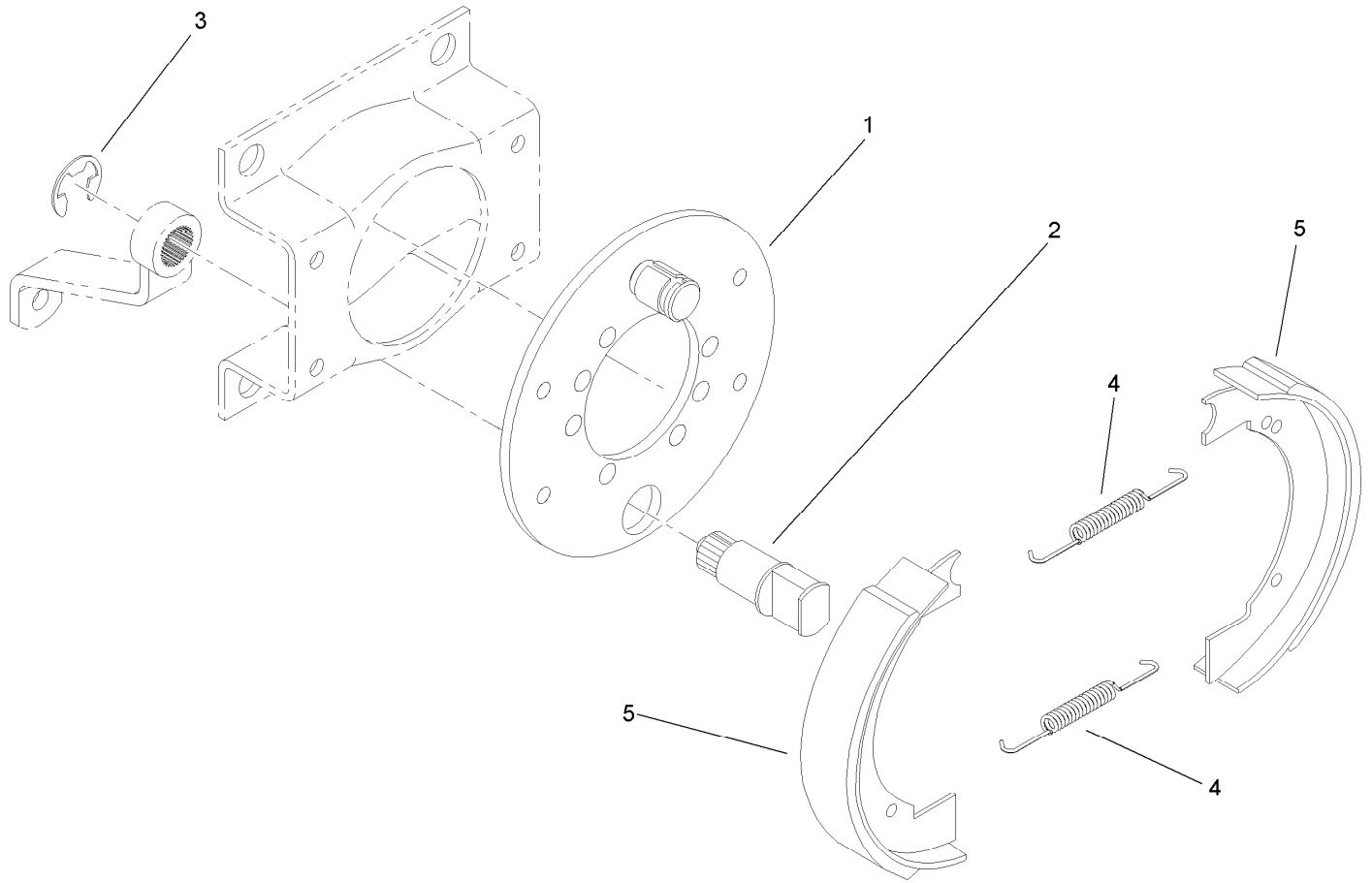
<i>Ref.</i>	<i>Part Number</i>	<i>Qty.</i>	<i>Description</i>
2	237-42	2	O-Ring
3	22-8330	2	Plug
4	22-8340	2	Spring
5	22-8350	2	Ball
6	22-8360	2	Pin
7	22-8370	2	Seat-Valve
8	22-8380	1	Retainer
9	22-8490	1	Ring-Snap
10	22-8480	1	Ring-Snap
11	22-8390	1	Retainer
12	22-8400	1	Spacer
13	22-8410	1	Spring
14	22-8420	1	Spool
15	22-8500	2	O-Ring



Brake Installation Assembly

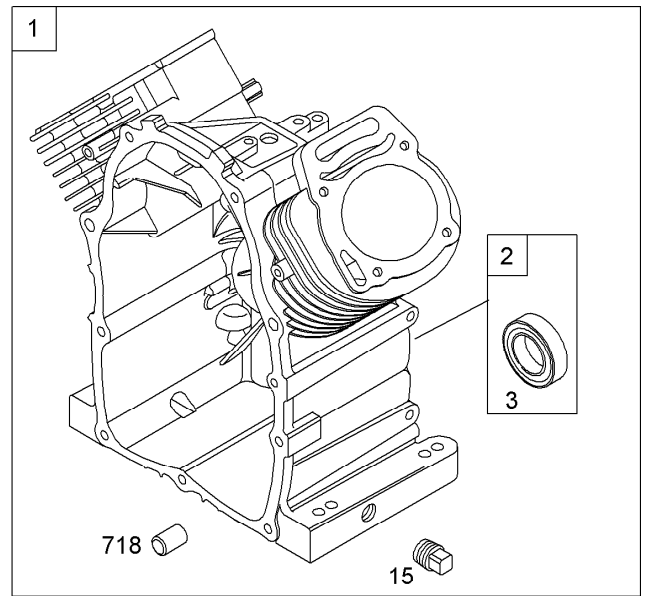
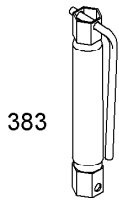
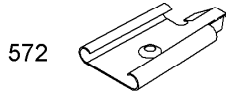
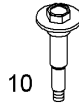
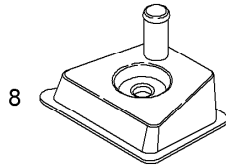
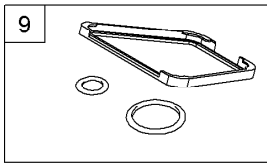
Ref.	Part Number	Qty.	Description	Ref.	Part Number	Qty.	Description
1	3217-9	4	Nut-HH	12	26-3790	2	Nut-Lock
2	3253-7	8	Washer-Lock	13	283-1	2	Pin-Clevis
3	3296-42	8	Nut-Lock, NI	14	282-2	2	Yoke
4	84-2000-03	2	Bracket-Brake	15	3220-2	2	Nut-Jam
5	325-14	8	Screw-HH	16	84-1990	2	Rod-Adjusting
6	104-7705	2	Brake ASM	17	3272-10	2	Pin-Cotter
7	93-6850	2	Lever-Brake	19	92-1715	8	Spacer
8	321-4	8	Screw-HH	20	83-9310	2	RH Brake Lever ASM
9	17-8149	2	Wheel Hub ASM	21	3272-6	3	Pin-Cotter
9:1	85-6540	4	Stud-Drive	22	3234-1	4	Screw-HHF
9:2	93-6838-03	1	Hub-Wheel	23	27-2320	2	Bearing
9:3	10-6850	1	Drum-Brake	24	3256-24	4	Washer-Flat
10		2	Wheel And Tire ASM ●	25	3296-59	4	Nut-Lock, NI
10:1	232-35	1	Valve Stem And Cap ASM	26	32121-6	4	Pin-Roll, Slotted
10:2	85-8290	1	Tire-2Ply, Knobby	27	95-0625	1	Rod-Traverse
10:3	94-6116	1	Wheel-Rear	28	95-0628	1	Rod-Brake
11	242-50	8	Nut-Lug				

● Not serviced separately



Brake Assembly No. 104-7705

<i>Ref.</i>	<i>Part Number</i>	<i>Qty.</i>	<i>Description</i>
1	70-9870	1	Plate-Backing
2	104-7707	1	Shaft-Cam, Brake
3	104-7706	1	E-Ring, Bowed
4	70-9880	2	Spring-Return
5	70-9840	2	Shoe-Brake



1058 OPERATOR MANUAL

1330 REPAIR MANUAL

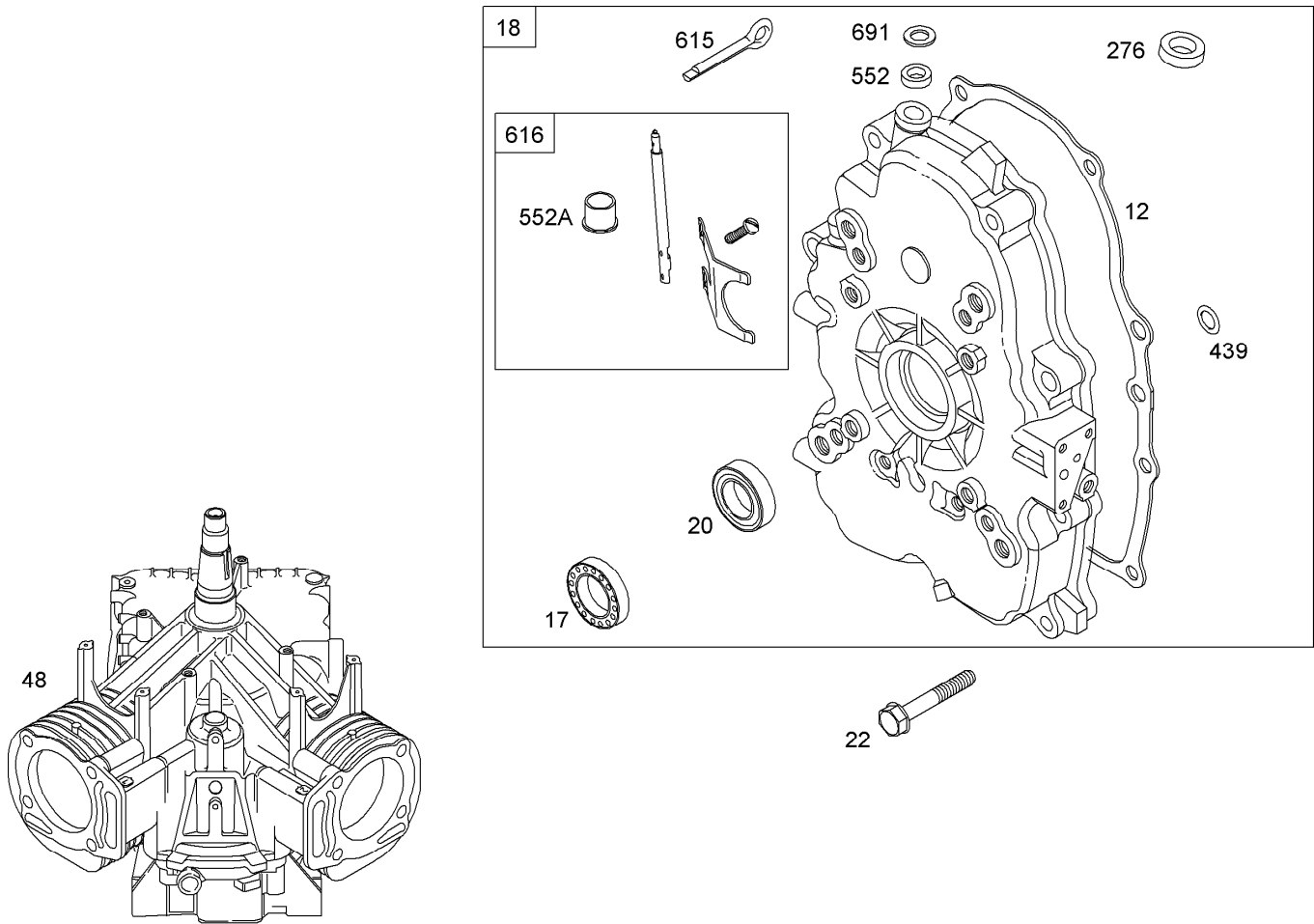
Assemblies include all parts shown in frames

Cylinder Assembly Briggs and Stratton 305447-0203-E1

Ref.	Part Number	Qty.	Description
1	692178	1	Cylinder ASM ●
2	808534	1	Bushing-Seal Kit (Magneto Side) ●
3	805101S	1	Seal-Oil (Magneto Side) ●■
8	808984	1	Breather ASM ●
9	809094	1	Gasket-Breather ●■
10	690751	1	Screw (Breather Asm) ●
15	690946	1	Plug-Drain, Oil ●
337	496018S	1	Spark Plug ●
383	19374s	1	Wrench-Spark Plug ●
572	690686	1	Baffle-Breather ●
635	692076	1	Boot-Spark Plug ●
718	806469	1	Pin-Locating ●
1058	276343	1	Operator Manual ●
1330	272144	1	Repair Manual ●

● Obtain parts from www.briggsandstratton.com

■ Included in Engine Gasket Set (Ref. No. 358)



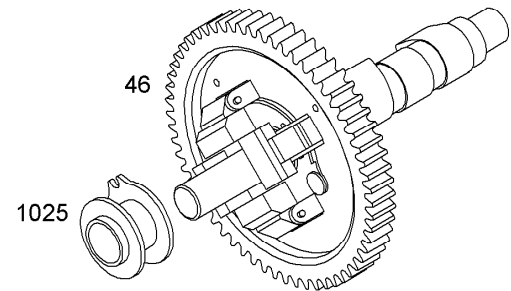
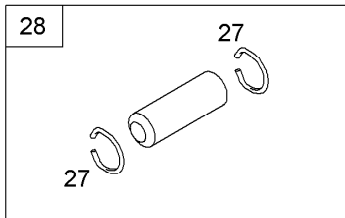
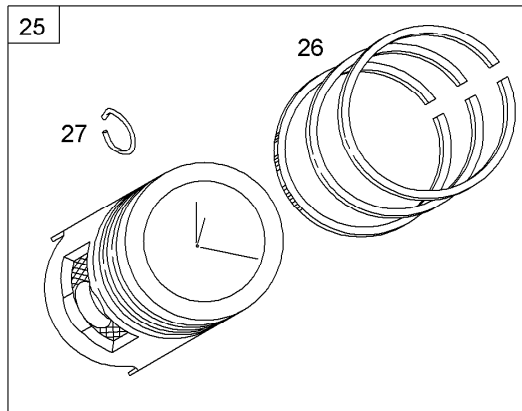
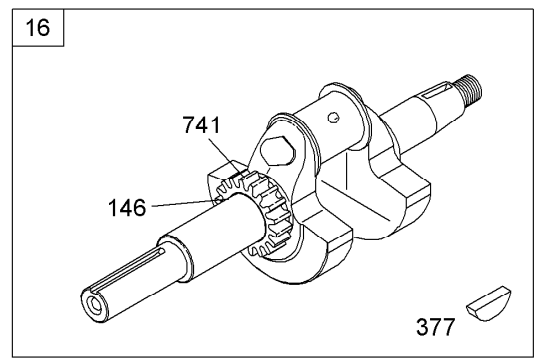
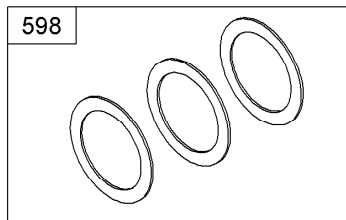
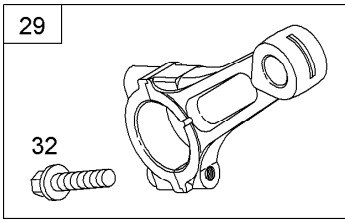
Assemblies include all parts shown in frames

Crankcase Assembly Briggs and Stratton 305447-0203-E1

Ref.	Part Number	Qty.	Description
12	842589	1	Gasket-Crankcase ●■
17	690752	1	Bearing-Ball ●
18	808847	1	Cover-Crankcase ●
20	805049S	1	Seal-Oil (PTO Side) ●■
22	807362	1	Screw (Crankcase Cover) ●
48		1	Block-Short (Not Available) ●
276	690704	1	Washer-Sealing ●
439	692154	1	Seal-O Ring (Crankcase Cover) ●■
552	690701	1	Bushing-Crank, Governor ●
552A	806686	1	Bushing-Crank, Governor ●
615	691550	1	Retainer-Shaft, Governor ●
616	806685	1	Crank-Governor ●
691	690680	1	Seal-Shaft, Governor ●■

● Obtain parts from www.briggsandstratton.com

■ Included in Engine Gasket Set (Ref. No. 358)

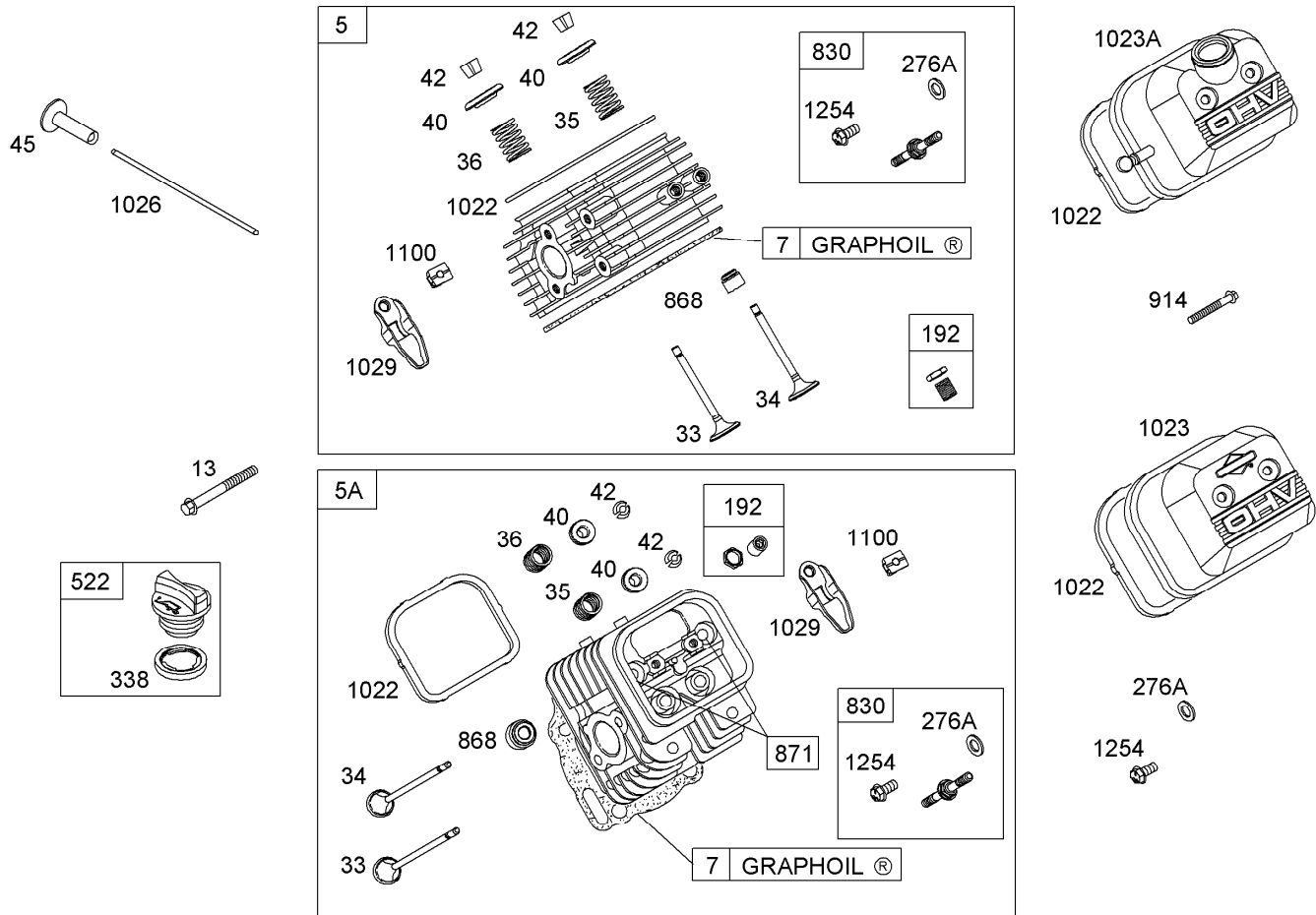


Assemblies include all parts shown in frames

Crankshaft Assembly Briggs and Stratton 305447-0203-E1

Ref.	Part Number	Qty.	Description
16	692168	1	Crankshaft ●
25	807619	1	Piston ASM (Standard) ●
25	807809	1	Piston ASM (.020 Oversize) ●
26	807620	1	Ring Set (Standard) ●
26	807810	1	Ring Set (.020 Oversize) ●
27	690683	1	Lock-Pin, Piston ●
28	807621	1	Pin-Piston ●
29	807900S	1	Rod-Connecting (Std) ●
29	807803	1	Rod-Connecting (.020 Undersize) ●
32	690698	1	Screw (Connecting Rod) ●
46	691557	1	Camshaft ●
146	691639	1	Key-Timing ●
357	691483	1	Key pulley , Drive ●
377	808095	1	Key-Woodruff ●
598	807625	1	Shim-Play, End ●
741	691530	1	Gear-Timing ●
1025	690689	1	Spool-Governor ●

● Obtain parts from www.briggsandstratton.com



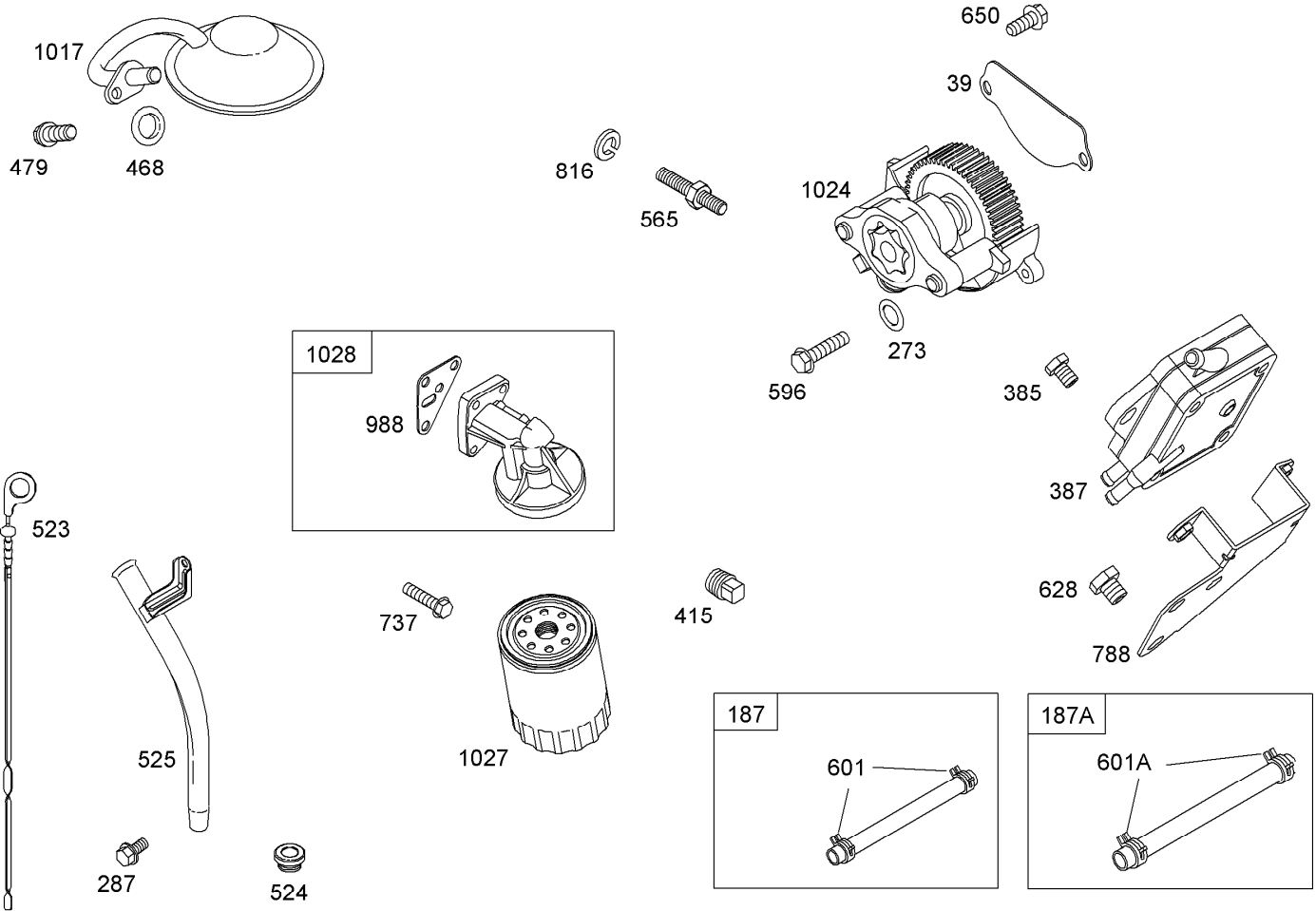
Assemblies include all parts shown in frames

Cylinder Head Assembly Briggs and Stratton 305447-0203-E1

Ref.	Part Number	Qty.	Description	Ref.	Part Number	Qty.	Description
5	809200	1	Head-Cylinder (Cylinder 1) ●	338	691312	1	Seal-O Ring ■▲●
5A	809201	1	Head-Cylinder (Cylinder 2) ●	522	491832	1	Plug-Fill, Dipstick ●
7	806085	1	Gasket-Head, Cylinder ●■▲	830	809157	1	Stud-Arm, Rocker ●
13	692059	1	Screw (Cylinder Head) ●	868	691963	1	Seal-Valve ■▲●
33	807681	1	Valve-Exhaust ●	871	692057	1	Bushing-Guide, Valve ●
34	807680	1	Valve-Intake ●	914	807120	1	Screw (Rocker Cover) ●
35	692084	1	Spring-Valve (Intake) ●	1022	806039S	1	Gasket-Cover, Rocker ■▲●●
36	692084	1	Spring-Valve (Exhaust) ●	1023	691494	1	Cover-Valve ●
40	692058	1	Retainer-Valve ●	1023A	690910	1	Cover-Valve ●
42	807683	1	Keeper-Valve ●	1026	691836	1	Rod-Push (Intake) ●
45	843379	1	Tappet-Valve ●	1026	691758	1	Rod-Push (Exhaust) ●
192	807623	1	Adjuster-Arm, Rocker ●	1029	807323	1	Arm-Rocker ●
276A	807085	1	Washer-Sealing (Head)(Rocker Cover) ■	1100	791959	1	Pivot-Arm, Rocker ●
			▲●	1254	807084	1	Screw (Rocker Arm Stud) ●

● Obtain parts from www.briggsandstratton.com
▲ Included in Valve Gasket Set (Ref. No. 1095)

■ Included in Engine Gasket Set (Ref. No. 358)



Assemblies include all parts shown in frames

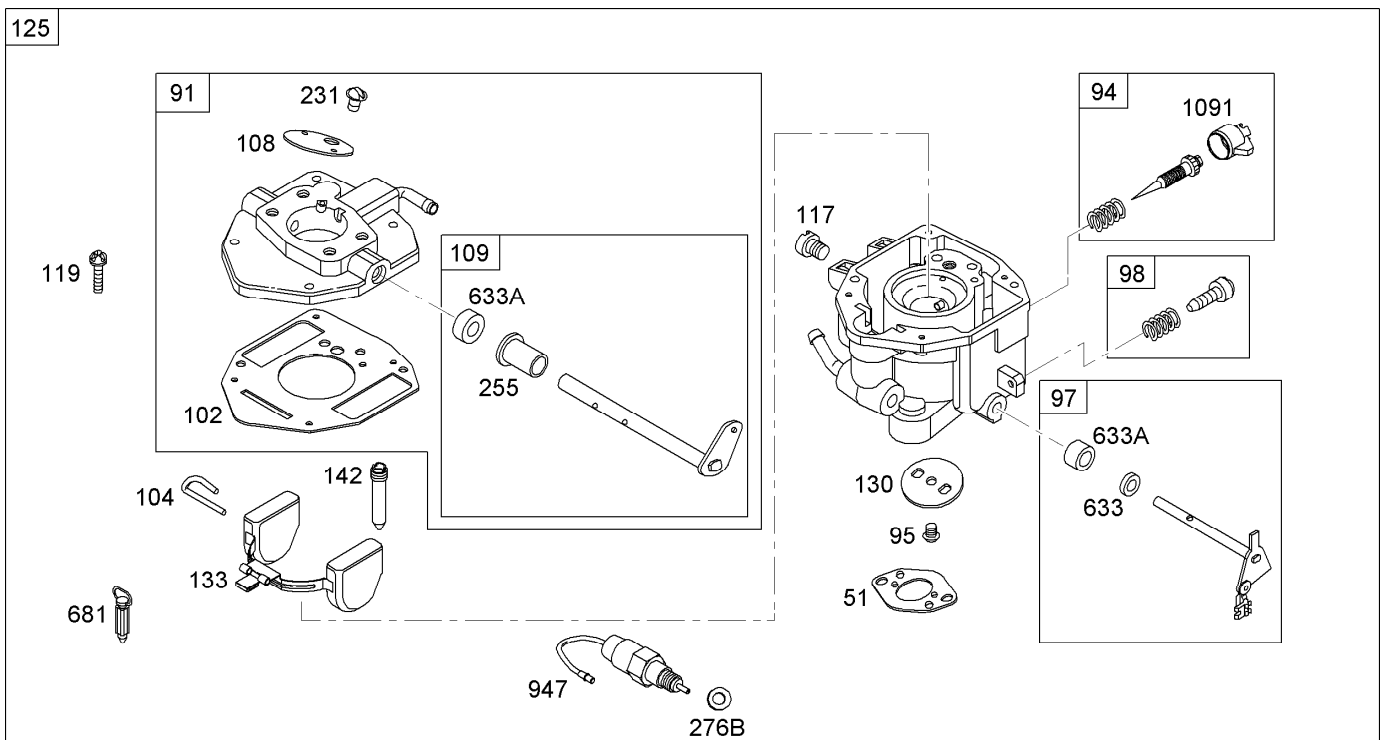
Oil Filter, Tube and Pump Assembly Briggs and Stratton 305447-0203-E1

Ref.	Part Number	Qty.	Description
39	690745	1	Deflector-Oil ●
187	791766	1	Line-Fuel (Cut To Required Length) ●
187A	791744	1	Line-Fuel ●
273	690681	1	Seal-O Ring (Oil Pump) ■●
287	692062	1	Screw (Dipstick Tube) ●
385	807084	1	Screw (Fuel Pump) ●
387	808969	1	Pump-Fuel ●
415	690283	1	Plug-Oil ●
468	690690	1	Seal-O Ring (Oil Pump Screen) ■●
479	807084	1	Screw (Oil Pump Screen) ●
523	693175	1	Dipstick ●
524	693172	1	Seal-Tube, Dipstick ■●
525	693174	1	Tube-Dipstick ●
565	690682	1	Stud (Oil Filter Adapter) ●

Ref.	Part Number	Qty.	Description
596	691492	1	Screw (Oil Pump) ●
601	791850	1	Clamp-Hose ●
601A	691038	1	Clamp-Hose ●
628	692062	1	Screw (Fuel Pump Bracket) ●
650	841233	1	Screw (Oil Deflector) ●
737	690679	1	Screw (Oil Filter Adapter) ●
788	691559	1	Bracket-Pump, Fuel ●
816	690706	1	Washer (Oil Filter Adapter) ●
988	692063	1	Gasket-Adapter, Oil Filter ■●
1017	690900	1	Screen-Pump, Oil ●
1024	693185	1	Pump-Oil ●
1027	492932	1	Filter-Oil ●
1028	808235	1	Adapter-Filter, Oil ●

● Obtain parts from www.briggsandstratton.com

■ Included in Engine Gasket Set (Ref. No. 358)



Assemblies include all parts shown in frames

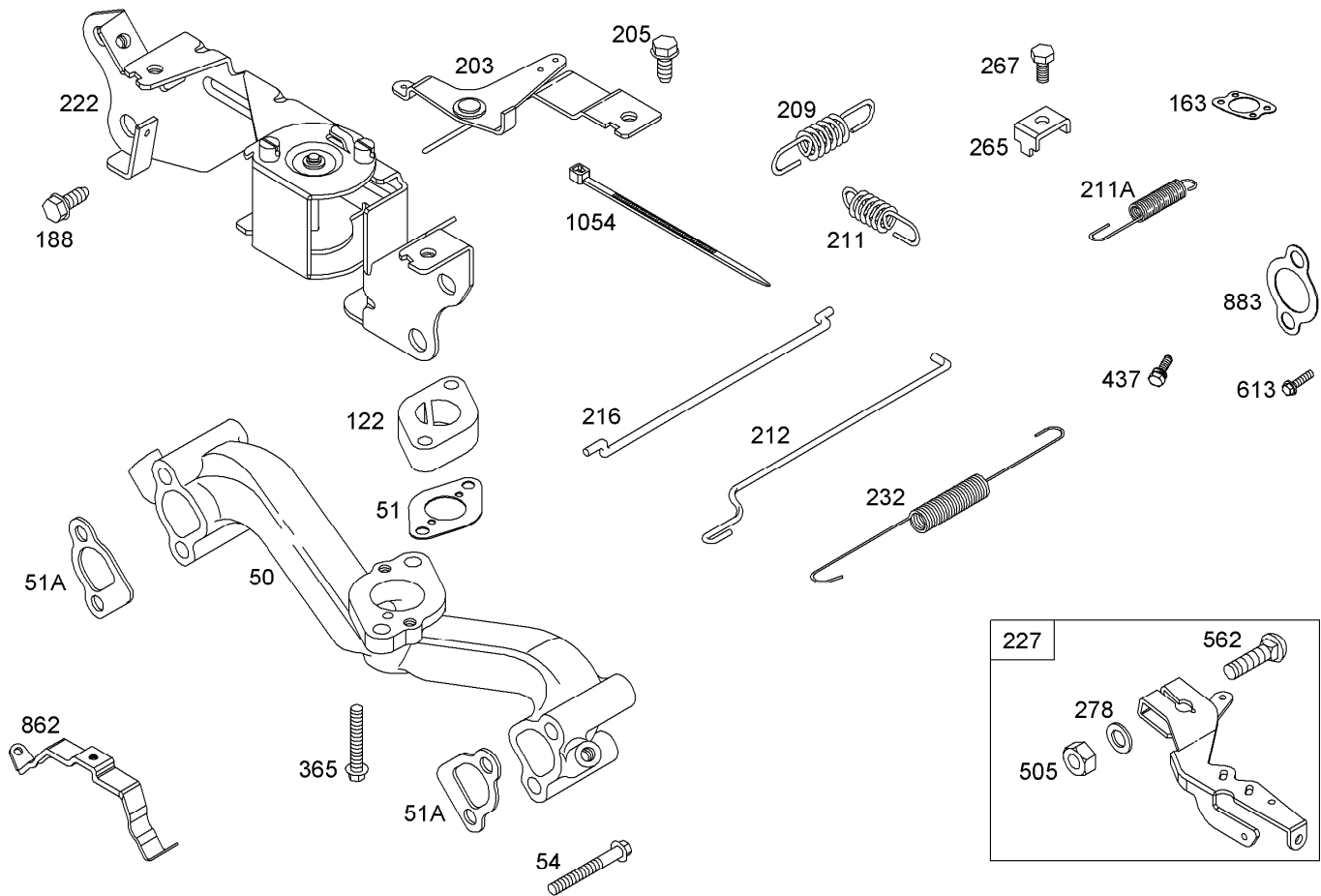
Carburetor Assembly Briggs and Stratton 305447-0203-E1

Ref.	Part Number	Qty.	Description
51	691694	1	Gasket-Intake ■●
91	807919	1	Body-Carburetor, Upper ●
94	842870	1	Idle Mixture Kit ▲●
95	690718	1	Screw (Throttle Valve) ●
97	809007	1	Shaft-Throttle ●
98	808177	1	Idle Speed Kit ●
102	692077	1	Gasket-Body, Carburetor ▲●
104	690723	1	Pin-Hinge, Float ▲●
108	690719	1	Valve-Choke ●
109	807722	1	Shaft-Choke ●
117	690862	1	Jet-Main (Std) ▲●
119	690720	1	Screw (Upper To Lower Body) ●
125	809011	1	Carburetor ●
130	690726	1	Valve-Throttle ●
133	843320	1	Float-Carburetor ●
142	690725	1	Nozzle-Carburetor ●
231	690718	1	Screw (Choke Valve) ●
255	690721	1	Bushing-Shaft, Choke ▲●
276B	806137	1	Washer-Sealing ●
633	806131	1	Seal-Shaft, Choke Throttle ▲●
633A	690722	1	Seal-Shaft, Choke Throttle ●▲
681	808798	1	Valve-Needle, Float ●▲
947	692094	1	Solenoid-Fuel ●
1091	691516	1	Cap-Limiter ▲●

● Obtain parts from www.briggsandstratton.com

▲ Included in Carburetor Overhaul Kit (Ref. No. 121)

■ Included in Engine Gasket Set (Ref. No. 358)



Assemblies include all parts shown in frames

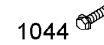
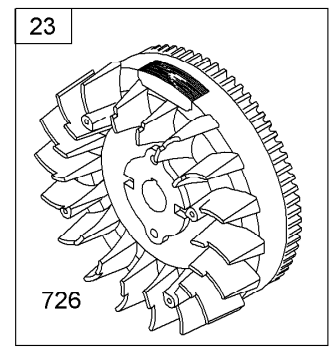
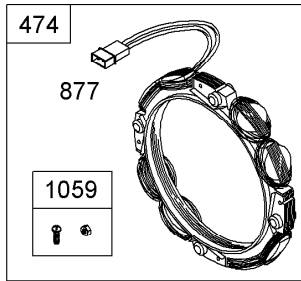
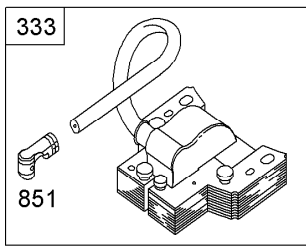
Governor Assembly Briggs and Stratton 305447-0203-E1

Ref.	Part Number	Qty.	Description
50	690754	1	Manifold-Intake ●
51	691694	1	Gasket-Intake ●■
51A	692035	1	Gasket-Intake ●■▲
54	690676	1	Screw (Intake Manifold) ●
122	690691	1	Spacer-Carburetor ●
163	692081	1	Gasket-Cleaner, Air ●
188	692056	1	Screw (Control Bracket) ●
203	690923	1	Crank-Bell ●
205	692083	1	Screw (Bell Crank) ●
209	691508	1	Spring-Governor ●
211	692069	1	Spring-Idle, Governed ●
211A	692068	1	Spring-Idle, Governed (Secondary) ●
212	690712	1	Link-Throttle ●
216	690705	1	Link-Choke ●
222	808454	1	Bracket-Control ●
227	690236	1	Lever-Control, Governor ●

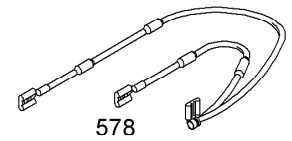
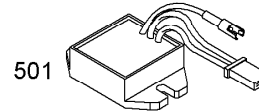
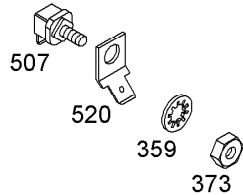
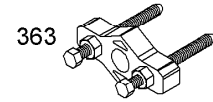
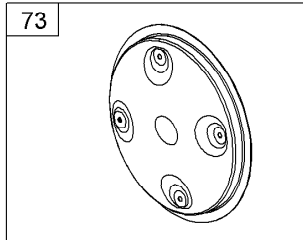
Ref.	Part Number	Qty.	Description
232	692073	1	Spring-Link, Governor ●
265	691024	1	Clamp-Casing ●
267	841552	1	Screw (Casing Clamp) ●
278	842122	1	Washer (Governor Control Lever) ●
365	690711	1	Screw (Carburetor) ●
437	691902	1	Screw (Exhaust Manifold) ●
505	690238	1	Nut (Governor Control Lever) ●
562	690239	1	Bolt (Governor Control Lever) ●
613	691902	1	Screw (Muffler) ●
862	692153	1	Strap-Stud Mounting, Air Cleaner ●
883	691613	1	Gasket-Exhaust ■▲●
1054	280275	1	Tie-Cable ●

● Obtain parts from www.briggsandstratton.com
▲ Included in Valve Gasket Set (Ref. No. 1095)

■ Included in Engine Gasket Set (Ref. No. 358)



1036 EMISSIONS LABEL

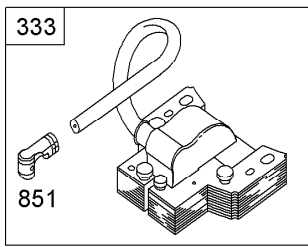


Assemblies include all parts shown in frames

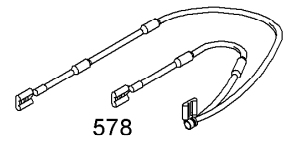
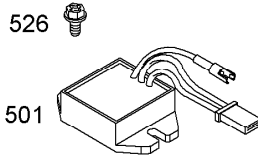
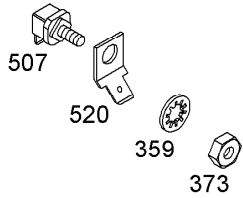
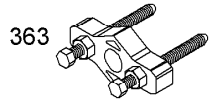
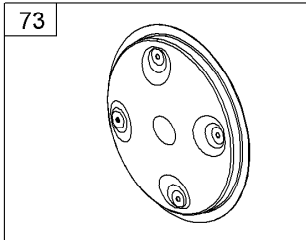
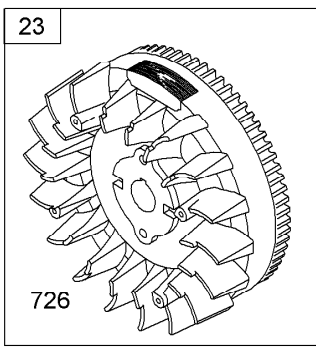
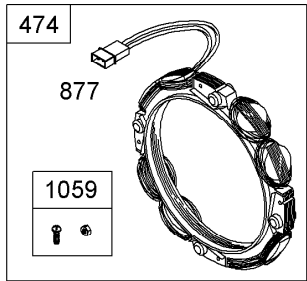
Flywheel Assembly Briggs and Stratton 305447-0203-E1

Ref.	Part Number	Qty.	Description
23	841825	1	Flywheel ●
73	841440	1	Screen rotating ●
74	841441	1	Screw (Rotating Screen) ●
332	690887	1	Nut (Flywheel) ●
333	492341	1	Armature-Magneto ●
334	692066	1	Screw (Magneto Armature) ●
359	691077	1	Washer (Ground Terminal) ●
363	19203	1	Puller-Flywheel ●
373	691612	1	Nut (Ground Terminal) ●
474	696458	1	Alternator ●
501	691185	1	Regulator ●
507	691972	1	Insulator ●
520	691084	1	Terminal-Ground ●
526	692067	1	Screw (Regulator) ●
529	690744	1	Grommet ●
578	692319	1	Wire ASM ●
726		1	Gear-Ring (See Reference 23 For Service) ●
729	690586	1	Clip-Wire ●
851	493880s	1	Terminal-Spark Plug ●
877	399916	1	Connector-Wire, Alternator ●
1036		1	Label-Emissions ●
1044	692056	1	Screw (Flywheel) ●

● Obtain parts from www.briggsandstratton.com



1036 EMISSIONS LABEL

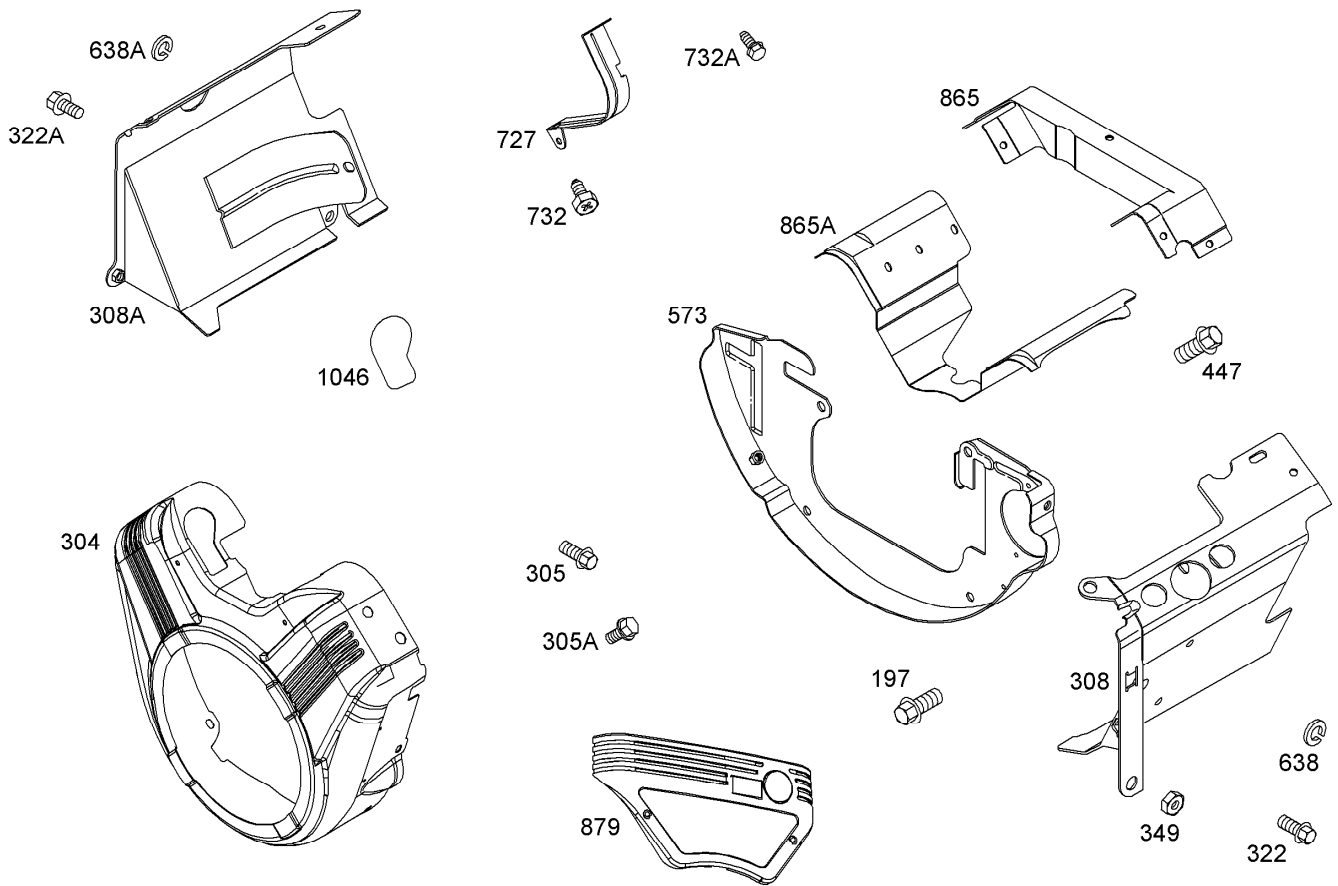


Assemblies include all parts shown in frames

Flywheel Assembly Briggs and Stratton 305447-0203-E1 (continued)

Ref.	Part Number	Qty.	Description
1059	698516	1	Screw And Washer Kit ●
1119	691552	1	Screw (Alternator) ●

● Obtain parts from www.briggsandstratton.com

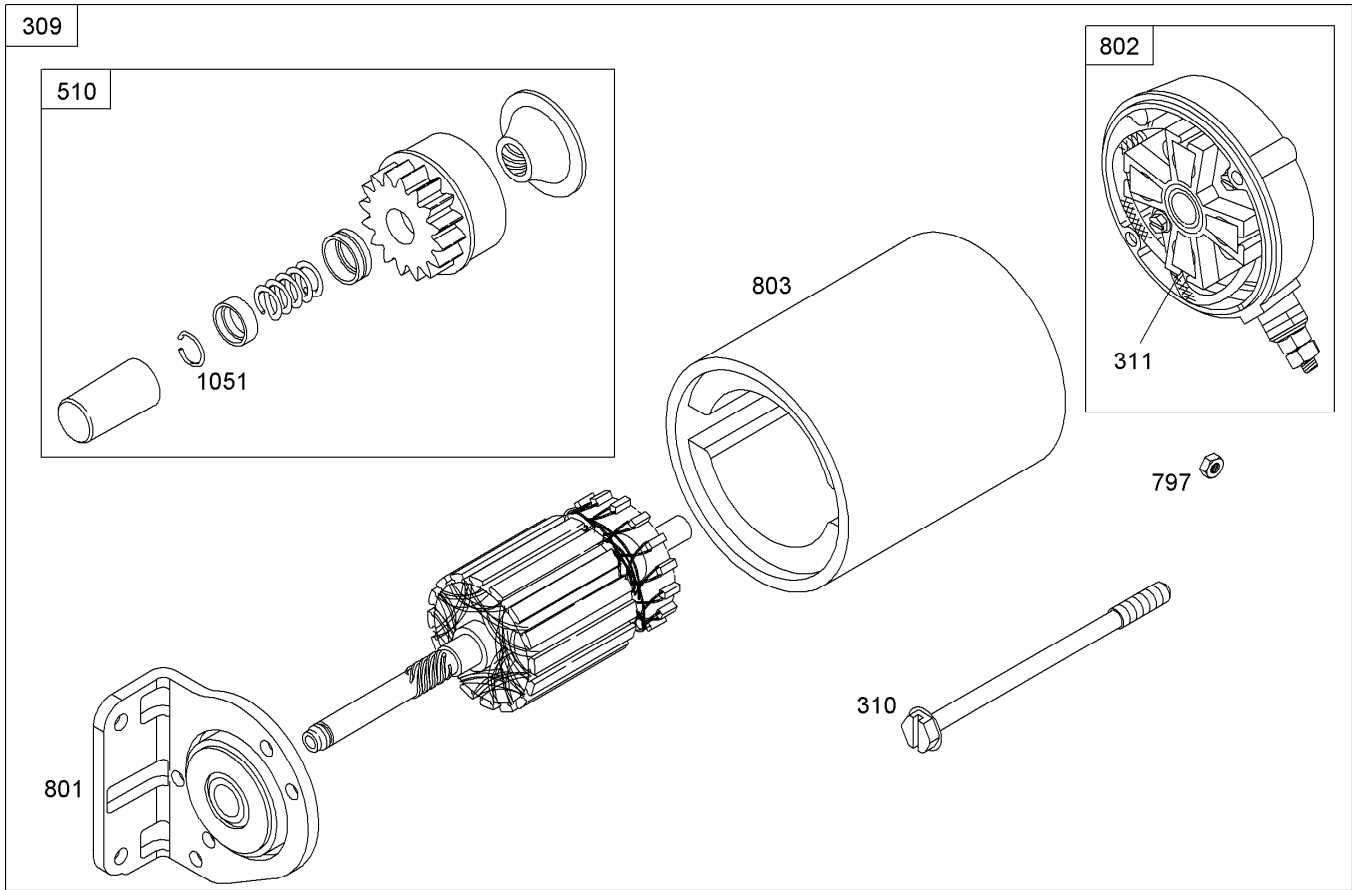


Assemblies include all parts shown in frames

Blower Housing Assembly Briggs and Stratton 305447-0203-E1

Ref.	Part Number	Qty.	Description
197	807163	1	Screw (Back Plate) ●
304	842680	1	Housing-Blower ●
305	841233	1	Screw (Blower Housing) ●
305A	692062	1	Screw (Blower Housing) ●
308	841317	1	Cover-Head, Cylinder (Cylinder 1) ●
308A	841316	1	Cover-Head, Cylinder (Cylinder 2) ●
322	841233	1	Screw (Cylinder Head Cover) ●
322A	692067	1	Screw (Cylinder Head Cover) ●
349	690238	1	Nut (Cylinder Head Cover) ●
447	841233	1	Screw (Air Guide Cover) ●
573	841310	1	Plate back ●
638	690706	1	Washer (Cylinder Head Cover) ●
638A	691551	1	Washer (Cylinder Head Cover) ●
727	841313	1	Cover drive, Starter ●
732	690688	1	Screw (Starter Drive Cover) ●
732A	841233	1	Screw (Starter Drive Cover) ●
865	841319	1	Cover-Guide, Air ●
865A	807119	1	Cover-Guide, Air ●
879	807460	1	Cover-Carburetor ●
1046	843068	1	Plug-Housing, Blower ●

● Obtain parts from www.briggsandstratton.com



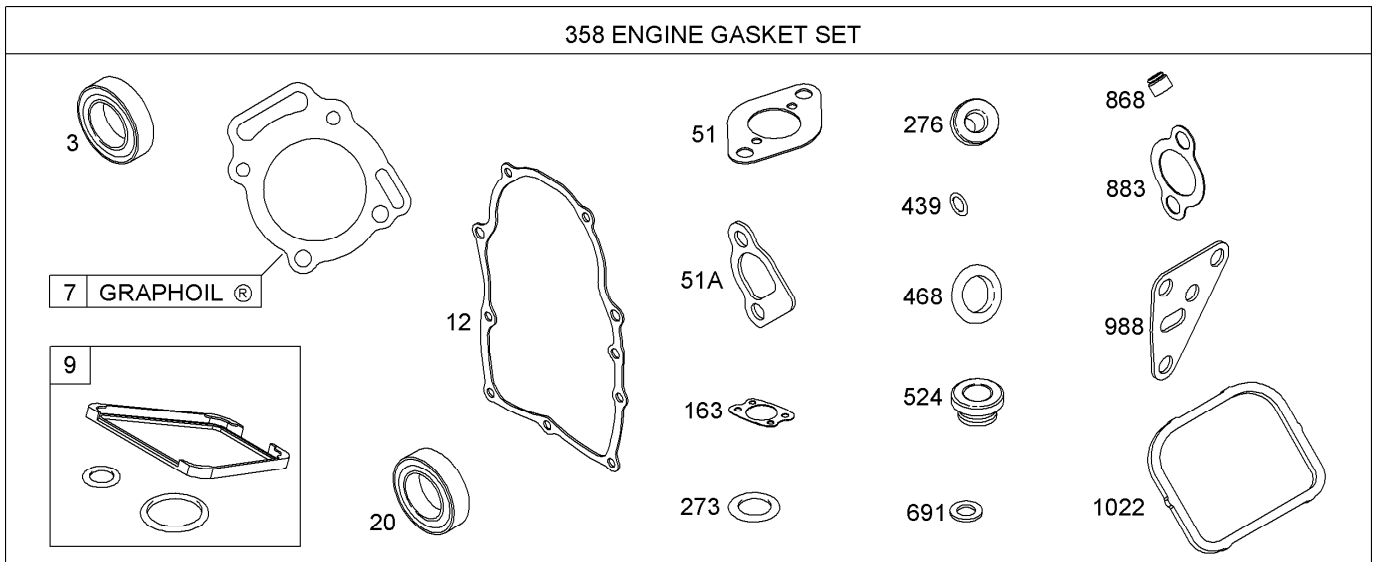
Assemblies include all parts shown in frames

Starter Assembly Briggs and Stratton 305447-0203-E1

<i>Ref.</i>	<i>Part Number</i>	<i>Qty.</i>	<i>Description</i>
309	691564	1	Motor-Starter ●
310	496880	1	Bolt (Starter Motor) ●
311	496887	1	Brush Set ●
510	496881	1	Drive-Starter ●
697	692062	1	Screw (Drive Cap) ●
797	691029	1	Nut (Brush Retainer) ●
801	808778	1	Cap-Drive ●
802	496813	1	Cap-End ●
803	690854	1	Housing-Starter ●
1051	691124	1	Ring-Lock ●

● Obtain parts from www.briggsandstratton.com

358 ENGINE GASKET SET



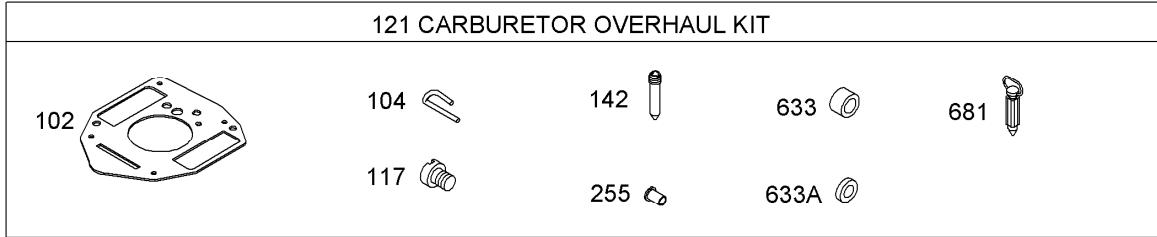
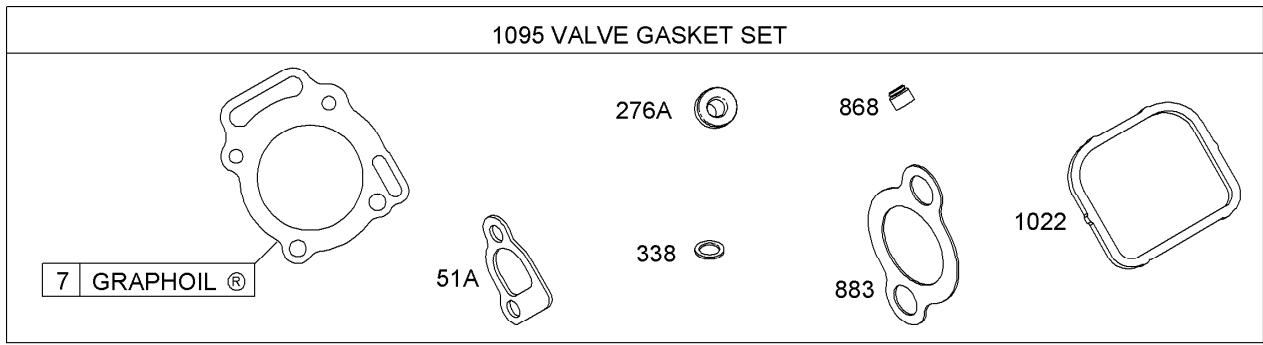
Assemblies include all parts shown in frames

358 Engine Gasket Set Briggs and Stratton 305447-0203-E1

Ref.	Part Number	Qty.	Description
3	805101S	1	Seal-Oil (Magneto Side) ■●
7	806085S	1	Gasket-Head, Cylinder ■▲●
9	809094	1	Gasket-Breather ■●
12	842589	1	Gasket-Crankcase ■●
20	805049S	1	Seal-Oil (PTO Side) ■●
51	691694	1	Gasket-Intake ■●
51A	692035	1	Gasket-Intake ■▲●
163	692081	1	Gasket-Cleaner, Air ■●
273	690681	1	Seal-O Ring (Oil Pump) ■●
276	690724	1	Washer-Sealing ●■
358	841188	1	Engine Gasket Set ●
439	692154	1	Seal-O Ring (Crankcase Cover) ■●
468	690690	1	Seal-O Ring (Oil Pump Screen) ■●
524	693172	1	Seal-Tube, Dipstick ●■
691	690680	1	Seal-Shaft, Governor ●■
868	691963	1	Seal-Valve ●▲■
883	691613	1	Gasket-Exhaust ▲●■
988	692063	1	Gasket-Adapter, Oil Filter ●■
1022	806039S	1	Gasket-Cover, Rocker ●▲■

● Obtain parts from www.briggsandstratton.com
▲ Included in Valve Gasket Set (Ref. No. 1095)

■ Included in Engine Gasket Set (Ref. No. 358)



Assemblies include all parts shown in frames

1095 Valve Gasket Set and 121 Carburetor Overhaul Kit Briggs and Stratton 305447-0203-E1

Ref.	Part Number	Qty.	Description
7	806085	1	Gasket-Head, Cylinder ■▲●
51A	692035	1	Gasket-Intake ■▲●
102	692077	1	Gasket-Body, Carburetor ●◆
104	690723	1	Pin-Hinge, Float ●◆
117	690862	1	Jet main ●◆
121	809021	1	Carburetor Overhaul Kit ●
142	690725	1	Nozzle-Carburetor (Std) ●◆
255	690721	1	Bushing-Shaft, Choke ●◆
276A	807085	1	Washer-Sealing ▲●
338	691312	1	Seal-O Ring ■▲●
633	806131	1	Seal-Shaft, Choke Throttle ●◆
633A	690722	1	Seal-Shaft, Choke Throttle ●◆
681	808798	1	Valve-Needle, Float ●◆
868	691963	1	Seal-Valve ▲●■
883	691613	1	Gasket-Exhaust ■▲●
1022	806039	1	Gasket-Cover, Rocker ●■▲
1095	842723	1	Valve Gasket Set ●

● Obtain parts from www.briggsandstratton.com
▲ Included in Valve Gasket Set (Ref. No. 1095)

■ Included in Engine Gasket Set (Ref. No. 358)
◆ Included in Carburetor Overhaul Kit (Ref. No. 121)

Notes:

Notes:



Count on it.