



Count on it.

Parts Catalog

Sand Pro® 2020 Traction Unit

Model No. 08884—Serial No. 280000201 and Up

Ordering Replacement Parts

To order replacement parts, please supply the part number, the quantity, and the description of each part desired.

Understanding Reference Numbers

Each identified part in an illustration has a reference number. The reference number for a part also appears in the parts list, along with other information about the part.

This catalog uses two special reference number formats, one to indicate parts in a service assembly and another to indicate the quantity of a given part in an illustration.

Service Assembly Reference Numbers

Parts in service assemblies have reference numbers in the form a:b. The a represents the reference number of the entire service assembly and the b represents a sequential number unique to each part within the service assembly.

For example, a wheel assembly might be identified by reference number 6, the tire by 6:1, the valve by 6:2, and the wheel by 6:3. When you order the assembly identified by reference number 6, you receive all parts identified by reference numbers 6:1, 6:2, and 6:3. However, you may also order any part individually. Reference numbers of this type appear in illustration and in parts lists.

Reference Numbers Indicating Quantity

In an illustration, if a reference number indicates more than one part, the reference number has the form nX y. The n represents the quantity of the part, the X is the multiplication symbol, and the y represents the reference number.

For example, in an illustration, the reference number 2X 37 means that two of the parts identified by reference number 37 are indicated.

List of Abbreviations

AR: as required

ASM: assembly

BBC: blade brake control

BHTF: button head thread forming

CARR: carriage

CCW: counter clockwise

CW: clockwise

DEG: degrees

DPA: Dual Point Adjustment

ECM: electronic control module

EXT: external

FH: flat head

GA: gauge

HD: heavy-duty

HF: hex flange

HH: hex head

HHF: hex head flange

HHFTF: hex head flange thread forming

HJ: hex jam

HLH: hex lag head

HOC: height-of-cut

HSBH: hex socket button head

HSFH: hex socket flat head

HSH: hex socket head

HWH: hex washer head

HWTF: hex washer head thread forming

HYD: hydraulic

LH: left hand

LP: Liquid Propane

NI: nylon insert

NPTF: national pipe thread fine

PFH: phillips flat head

PPH: phillips pan head

PPHTF: phillips pan head thread forming

PRH: phillips round head

PTH: phillips truss head

PTO: power-take-off

RH: right hand

ROPS: roll-over protection system

RRB: rear roller brush

SFH: slotted fillister head

SHH: slotted hex head

SHWH: slotted hex washer head

SPH: slotted pan head

SQH: square head

SRH: slotted round head

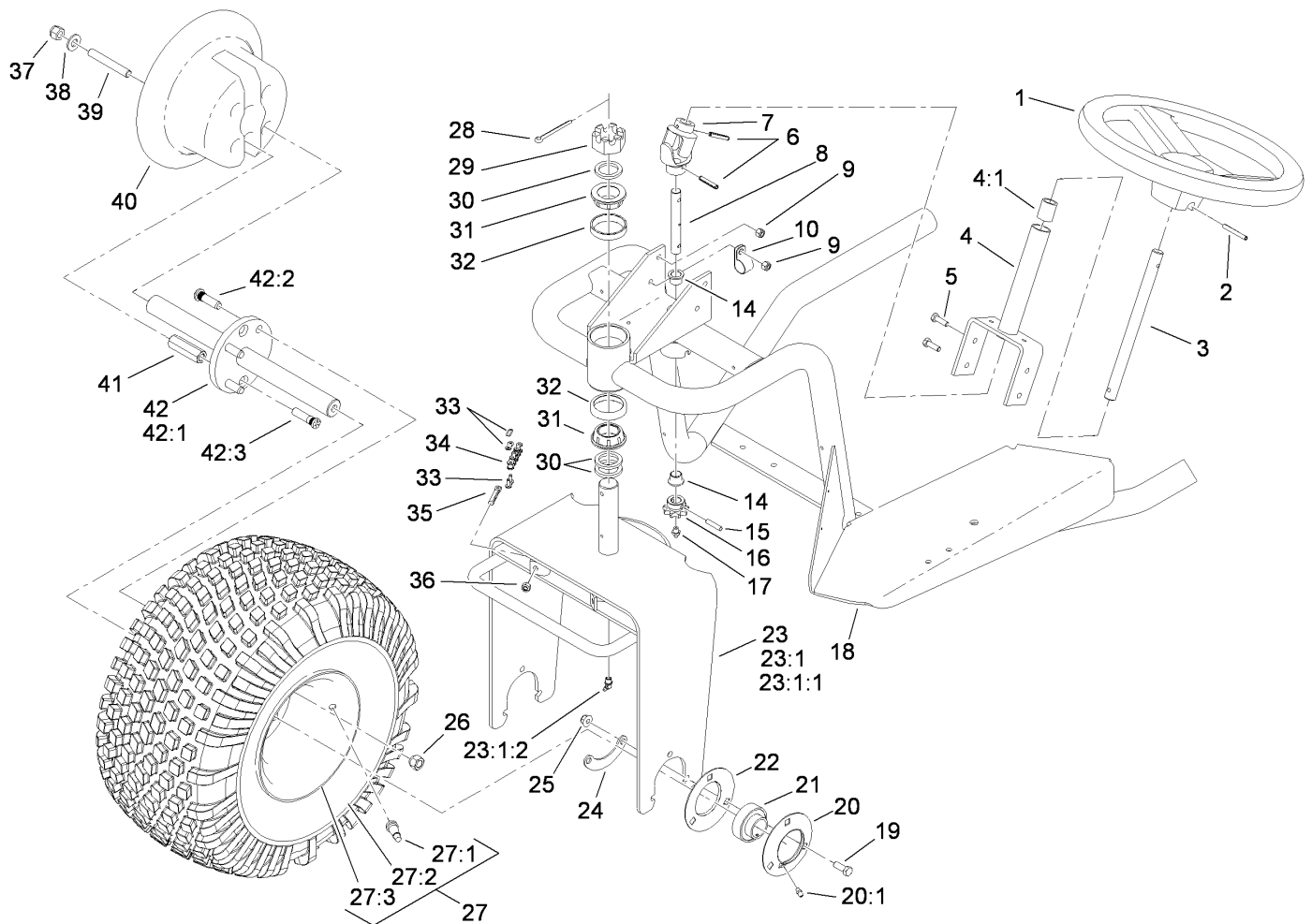
STD: standard

TAP: self tapping

TTH: torx truss head

Contents

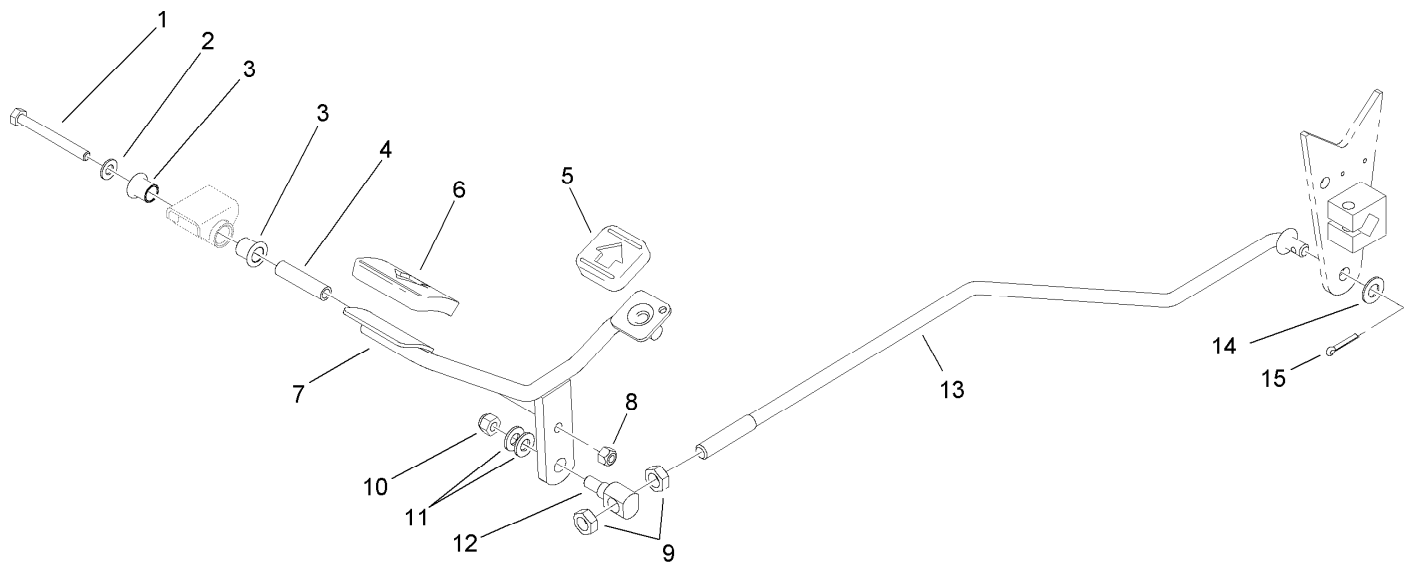
| | |
|--|----|
| Front Wheel and Steering Assembly | 4 |
| Traction Pedal Assembly | 5 |
| Pump Control Lever Assembly | 6 |
| Hydraulic Pump Installation Assembly | 7 |
| Variable Hydraulic Piston Pump Assembly No. 114-0613 | 8 |
| Rear Wheel Drive Assembly | 10 |
| Hydraulic Cylinder Assembly No. 114-0626 | 11 |
| Hydraulic Motor Assembly No. 75-9831 | 12 |
| Hydraulic Motor Assembly No. 75-9840 | 13 |
| Seat Assembly | 14 |
| Fuel Tank Assembly | 15 |
| Engine Installation Assembly | 16 |
| Dash Panel Assembly | 17 |
| Shroud, Relay, Air Cleaner and Oil Cooler Assembly | 18 |
| Air Cleaner Assembly No. 95-5805 | 19 |
| Hydraulic Oil Reservoir and Filter Assembly | 20 |
| Lift Valve Installation Assembly | 21 |
| Valve Assembly No. 43-1710 | 22 |
| Brake Installation Assembly | 23 |
| Brake Assembly No. 104-7705 | 24 |
| Cylinder Assembly Briggs and Stratton 305447-0203-E1 | 25 |
| Crankcase Assembly Briggs and Stratton 305447-0203-E1 | 26 |
| Crankshaft Assembly Briggs and Stratton 305447-0203-E1 | 27 |
| Cylinder Head Assembly Briggs and Stratton 305447-0203-E1 | 28 |
| Oil Filter, Tube and Pump Assembly Briggs and Stratton 305447-0203-E1 | 29 |
| Carburetor Assembly Briggs and Stratton 305447-0203-E1 | 30 |
| Governor Assembly Briggs and Stratton 305447-0203-E1 | 31 |
| Flywheel Assembly Briggs and Stratton 305447-0203-E1 | 32 |
| Blower Housing Assembly Briggs and Stratton 305447-0203-E1 | 34 |
| Starter Assembly Briggs and Stratton 305447-0203-E1 | 35 |
| 358 Engine Gasket Set Briggs and Stratton 305447-0203-E1 | 36 |
| 1095 Valve Gasket Set and 121 Carburetor Overhaul Kit Briggs and Stratton 305447-0203-E1 | 37 |
| Attachments and Accessories | 38 |



Front Wheel and Steering Assembly

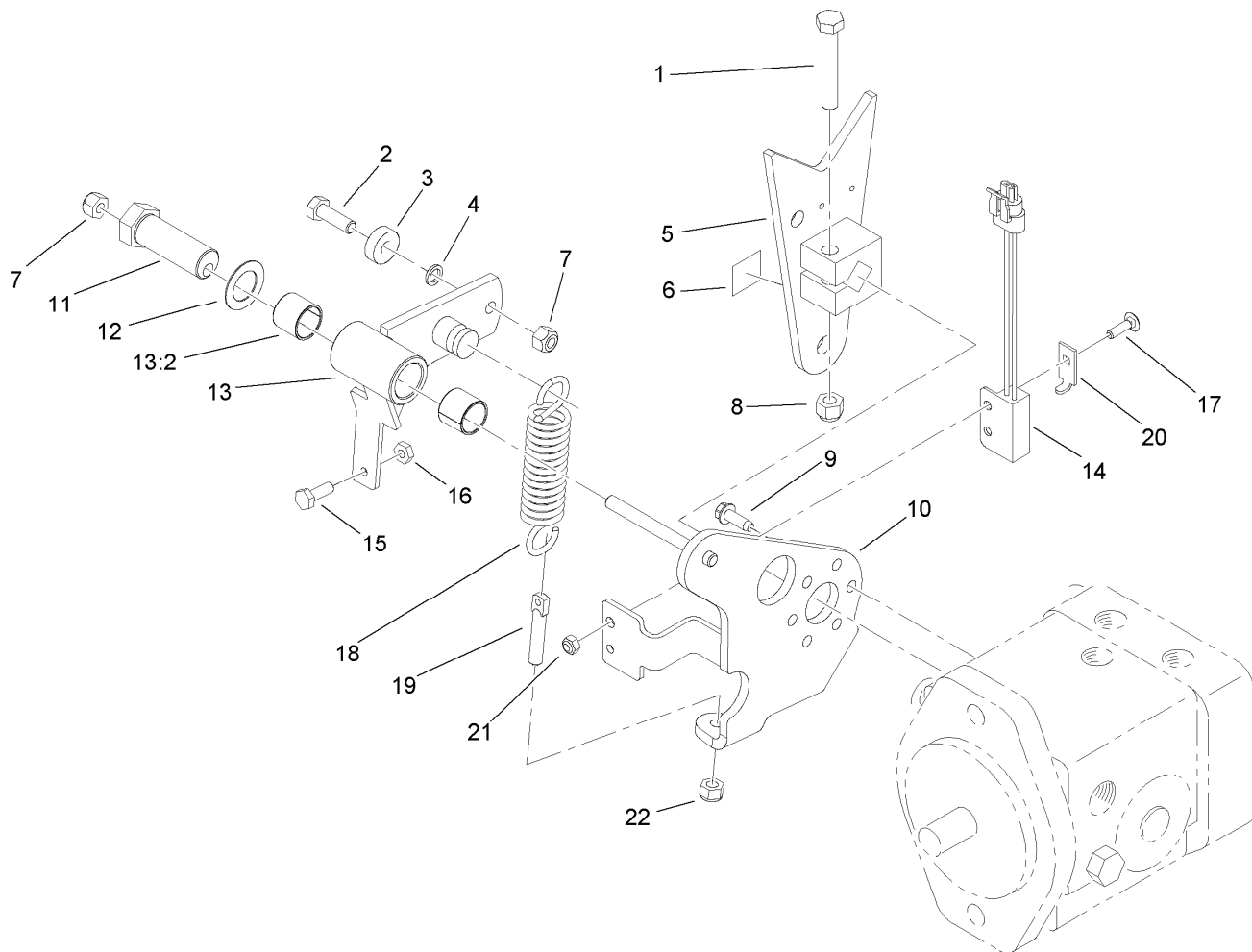
| Ref. | Part Number | Qty. | Description | Ref. | Part Number | Qty. | Description |
|--------|-------------|------|-------------------------|------|-------------|------|--------------------------|
| 1 | 76-1420 | 1 | Wheel-Steering | 24 | 112-7671 | 2 | Flange-Keeper |
| 2 | 32121-111 | 1 | Pin-Roll | 25 | 104-8301 | 6 | Nut-Flange, NI |
| 3 | 85-6610 | 1 | Shaft-Steering | 26 | 242-50 | 4 | Nut-Lug |
| 4 | 92-5035 | 1 | Steering Post ASM | 27 | | 1 | Wheel And Tire ASM ● |
| 4:1 | 256-185 | 1 | Bushing | 27:1 | 232-35 | 1 | Valve Stem And Cap ASM |
| 5 | 322-5 | 4 | Screw-HH | 27:2 | 85-8290 | 1 | Tire-2Ply, Knobby |
| 6 | 32121-15 | 2 | Pin-Roll | 27:3 | 94-6116 | 1 | Wheel-Rear |
| 7 | 85-9200 | 1 | Knuckle-Steering | 28 | 3272-37 | 1 | Pin-Cotter |
| 8 | 98-0928 | 1 | Shaft-Steering, Lower | 29 | 32136-9 | 1 | Nut-Hex, Slotted |
| 9 | 3296-29 | 4 | Nut-Lock, NI | 30 | 18-6320 | 3 | Washer-Steering |
| 10 | 2412-41 | 2 | Clamp | 31 | 254-70 | 2 | Bearing-Cone |
| 14 | 65-8770 | 2 | Bushing-Bellcrank | 32 | 254-61 | 2 | Cup-Bearing |
| 15 | 98-0973 | 1 | Pin-Grooved | 33 | 2710-11 | 2 | Link-Chain |
| 16 | 85-9180 | 1 | Sprocket-Steering | 34 | 92-5039 | 1 | Chain-Steering |
| 17 | 302-2 | 1 | Fitting-Grease | 35 | 18-6380 | 2 | Pin-Adjustment, Steering |
| 18 | 95-0600-01 | 1 | Frame ASM | 36 | 3296-4 | 2 | Nut-Lock |
| 19 | 323-6 | 6 | Screw-HH | 37 | 3296-19 | 2 | Nut-Hex |
| 20 | 85-8940 | 2 | Flangette-Relube | 38 | 87-7270 | 2 | Washer-Thrust |
| 20:1 | 302-5 | 1 | Fitting-Grease | 39 | 112-7659 | 2 | Stud |
| 21 | 251-352 | 2 | Bearing | 40 | 112-7641-03 | 1 | Weight-Wheel |
| 22 | 85-8950 | 2 | Flangette-Standard | 41 | 112-7661 | 2 | Nut-Hex |
| 23 | | 1 | Fork And Grease Fitting | 42 | | 1 | Front Axle ASM ● |
| 23:1 | | 1 | Fork ASM ● | 42:1 | 112-7673 | 1 | Axle Shaft ASM |
| 23:1:1 | 112-7670-01 | 1 | Offset Fork ASM | 42:2 | 10-6830 | 4 | Stud-Type, Drive |
| 23:1:2 | 302-33 | 1 | Fitting-Grease | 42:3 | 108-7662 | 2 | Screw-Lug |

● Not serviced separately



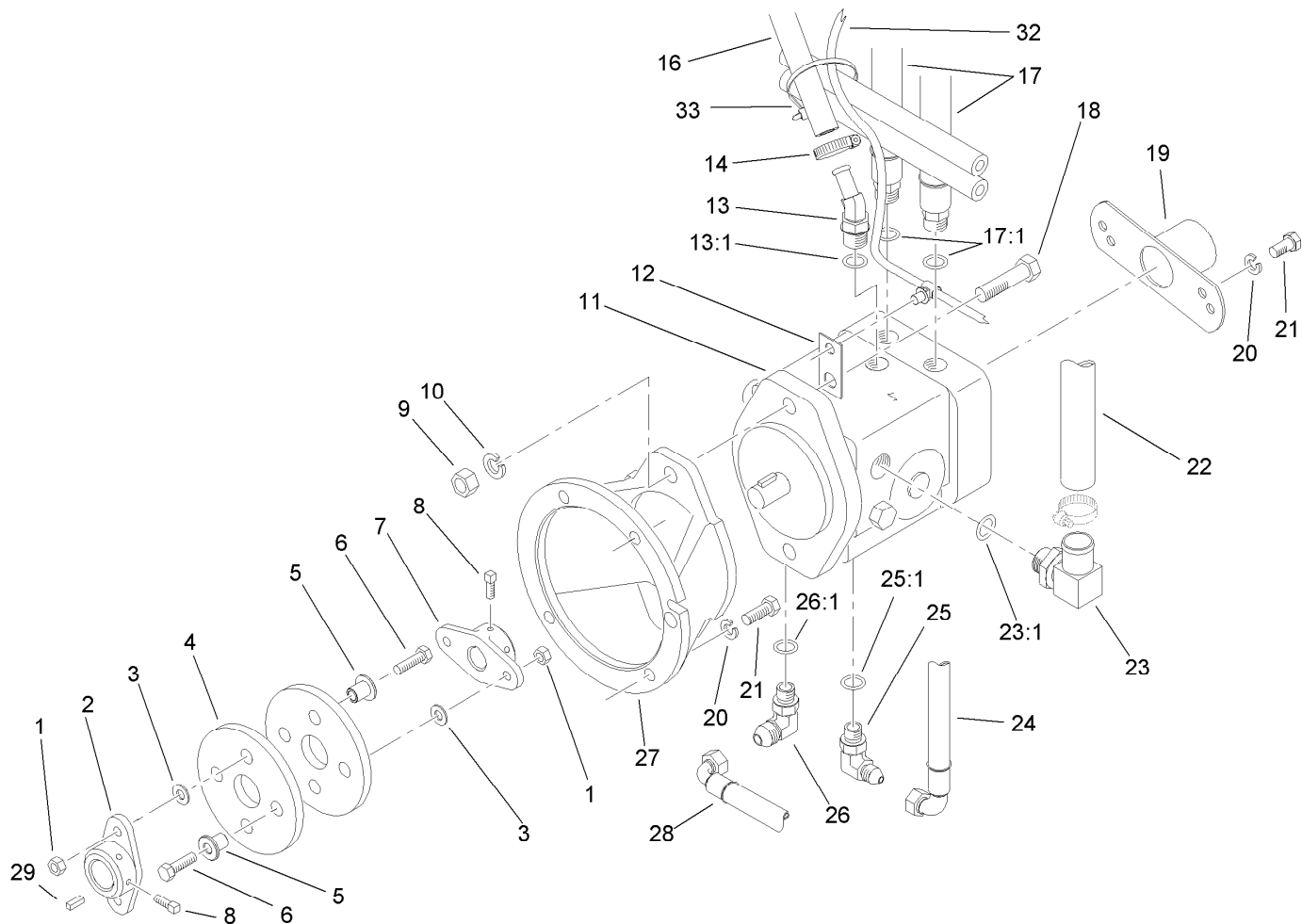
Traction Pedal Assembly

| <i>Ref.</i> | <i>Part Number</i> | <i>Qty.</i> | <i>Description</i> |
|-------------|--------------------|-------------|--------------------|
| 1 | 322-14 | 1 | Screw-HH |
| 2 | 3256-23 | 1 | Washer-Flat |
| 3 | 256-219 | 2 | Bushing |
| 4 | 85-8960 | 1 | Spacer |
| 5 | 74-9110 | 1 | Pad-Pedal, Reverse |
| 6 | 74-9100 | 1 | Pad-Pedal, Forward |
| 7 | 92-2343-01 | 1 | Pedal ASM |
| 8 | 3296-29 | 1 | Nut-Lock, NI |
| 9 | 3218-5 | 2 | Nut-Jam |
| 10 | 3296-39 | 1 | Nut-Lock, NI |
| 11 | 3256-24 | 2 | Washer-Flat |
| 12 | 92-2344 | 1 | Trunion |
| 13 | 95-0584 | 1 | Rod-Control |
| 14 | 3256-25 | 1 | Washer-Flat |
| 15 | 3272-16 | 1 | Pin-Cotter |



Pump Control Lever Assembly

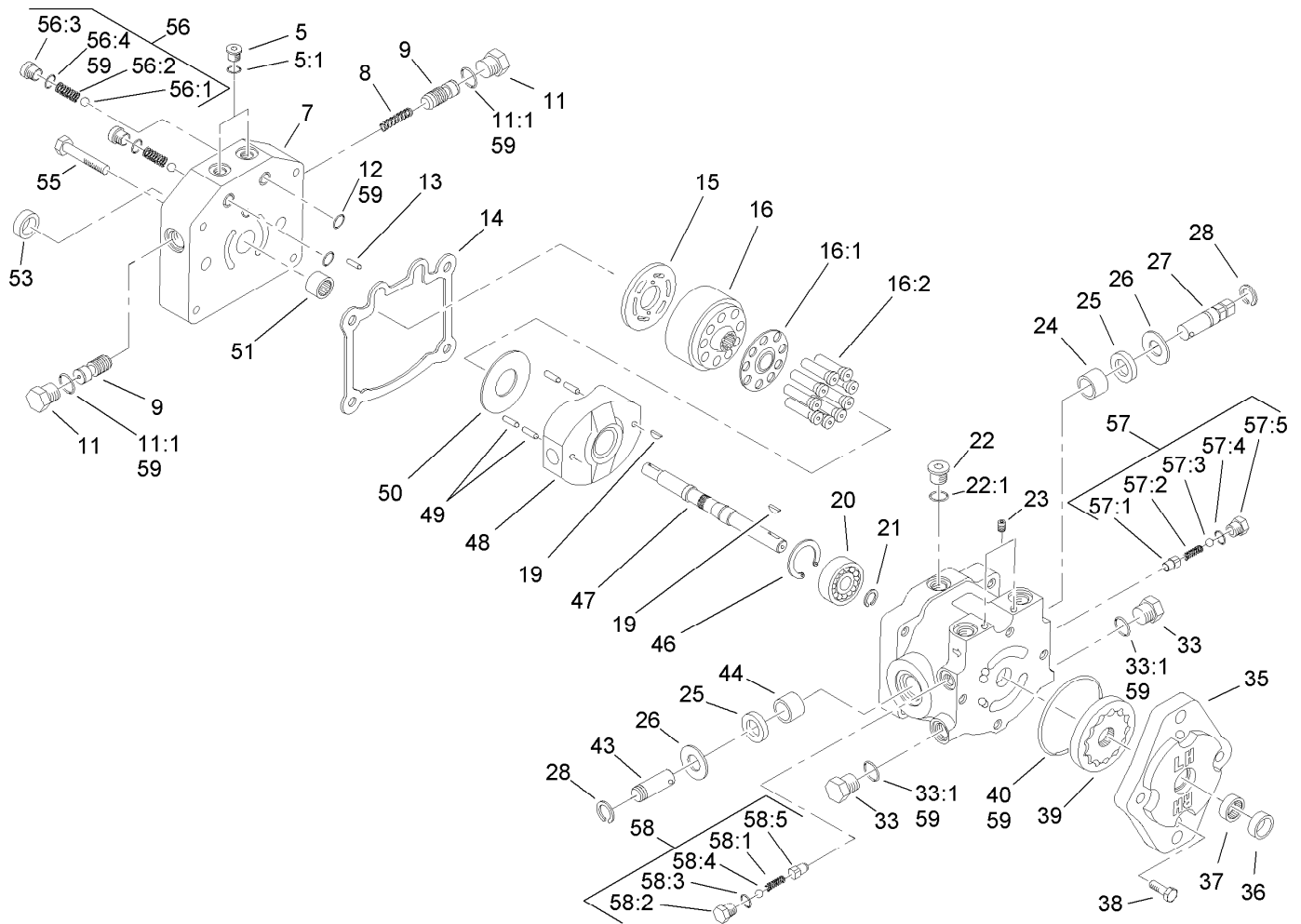
| <i>Ref.</i> | <i>Part Number</i> | <i>Qty.</i> | <i>Description</i> |
|-------------|--------------------|-------------|--------------------------|
| 1 | 323-11 | 1 | Screw-HH |
| 2 | 322-5 | 1 | Screw-HH |
| 3 | 251-307 | 1 | Bearing-Ball |
| 4 | 75-5470 | 1 | Spacer-Bearing |
| 5 | 85-8300-03 | 1 | Pump Lever ASM |
| 6 | 93-9051 | 1 | Decal-Bolt, Eccentric |
| 7 | 3296-29 | 2 | Nut-Lock, NI |
| 8 | 3296-39 | 1 | Nut-Lock, NI |
| 9 | 49-2040 | 3 | Screw-HWHTF |
| 10 | 108-5490-03 | 1 | Pump Plate ASM |
| 11 | 76-8640 | 1 | Stud-Traction |
| 12 | 3-6498 | 1 | Washer-Thrust |
| 13 | 108-5493 | 1 | Arm ASM |
| 13:2 | 94-9609 | 2 | Bushing-Straight |
| 14 | 105-0023 | 1 | Switch-Proximity |
| 15 | 321-4 | 1 | Screw-HH |
| 16 | 3218-1 | 1 | Nut-Jam |
| 17 | 3229-20 | 1 | Screw-CARR |
| 18 | 85-9030 | 1 | Spring-Extension |
| 19 | 18-6380 | 1 | Pin-Adjustment, Steering |
| 20 | 100-4872 | 1 | Plate-Switch, Neutral |
| 21 | 3296-2 | 1 | Nut-Lock, NI |
| 22 | 3296-4 | 1 | Nut-Lock |



Hydraulic Pump Installation Assembly

| Ref. | Part Number | Qty. | Description |
|------|-------------|------|-------------------------|
| 1 | 3296-29 | 4 | Nut-Lock, NI |
| 2 | 110-5236 | 1 | Hub-Engine |
| 3 | 3256-23 | 4 | Washer-Flat |
| 4 | 80-8650 | 2 | Coupling-Drive |
| 5 | 71-4411 | 4 | Spacer |
| 6 | 322-7 | 4 | Screw-HH |
| 7 | 110-9695 | 1 | Hub-Pump |
| 8 | 3241-5 | 4 | Screw-Set |
| 9 | 3217-9 | 2 | Nut-HH |
| 10 | 3253-7 | 2 | Washer-Lock |
| 11 | 114-0613 | 1 | Var HYD Piston Pump ASM |
| 12 | 112-7639 | 1 | Stand Off-Wire |
| 13 | 354-126 | 1 | Fitting-HYD, 45 DEG |
| 13:1 | 237-79 | 1 | O-Ring |
| 14 | 2412-36 | 1 | Clamp-Hose |
| 16 | 98-8153 | 1 | Hose-Return |
| 17 | 95-0595 | 2 | Hose-HYD |
| 17:1 | 237-79 | 1 | O-Ring |

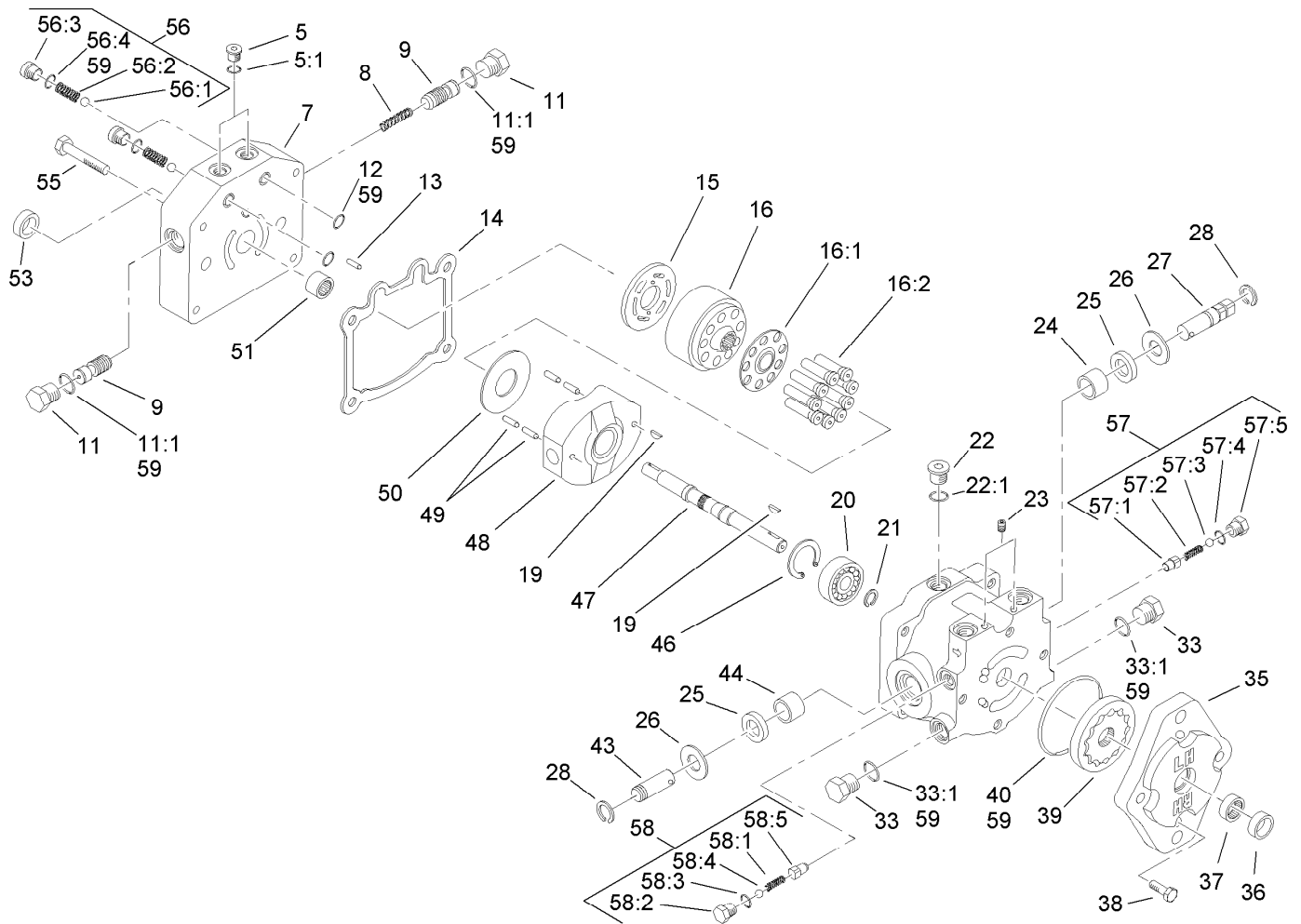
| Ref. | Part Number | Qty. | Description |
|------|-------------|------|---------------------|
| 18 | 325-7 | 2 | Screw-HH |
| 19 | 95-0632-03 | 1 | Cover ASM |
| 20 | 3253-5 | 6 | Washer-Lock |
| 21 | 323-6 | 6 | Screw-HH |
| 22 | 95-0555 | 1 | Hose-Suction |
| 23 | 87-8170 | 1 | Fitting |
| 23:1 | 237-80 | 1 | O-Ring |
| 24 | 95-0592 | 1 | Hose ASM |
| 25 | 353-374 | 1 | Elbow-90 DEG |
| 25:1 | 237-42 | 1 | O-Ring |
| 26 | 353-511 | 1 | Fitting-HYD, 90 DEG |
| 26:1 | 237-42 | 1 | O-Ring |
| 27 | 95-0631-03 | 1 | Mount-Pump |
| 28 | 95-0591 | 1 | Hose-HYD |
| 29 | 13-2840 | 1 | Key-Square |
| 32 | 110-7384 | 1 | Harness-Wire |
| 33 | 3290-379 | 6 | Tie-Cable |



Variable Hydraulic Piston Pump Assembly No. 114-0613

| Ref. | Part Number | Qty. | Description | Ref. | Part Number | Qty. | Description |
|------|-------------|------|--------------------|------|-------------|------|-----------------------|
| 5 | 92-8776 | 2 | Plug-HSH | 28 | 32151-46 | 2 | Ring-Retaining |
| 5:1 | 92-8777 | 1 | O-Ring | 33 | 88-8210 | 2 | Plug |
| 7 | 112-7656 | 1 | Cap-End | 33:1 | 237-80 | 1 | O-Ring |
| 8 | 25-2610 | 1 | Spring-Valve | 35 | 114-0611 | 1 | Housing-Pump, Charge |
| 9 | 95-5814 | 2 | Valve-Acceleration | 36 | 67-8060 | 1 | Seal-Lip |
| 11 | 28-3440 | 2 | Plug-Threaded | 37 | 67-8050 | 1 | Bearing-Needle |
| 11:1 | 75-0240 | 1 | O-Ring | 38 | 322-4 | 4 | Screw-HH |
| 12 | 112-7652 | 2 | O-Ring | 39 | 95-5812 | 1 | Gerotor ASM |
| 13 | 25-2430 | 1 | Pin-Dowel | 40 | 237-95 | 1 | O-Ring |
| 14 | 25-2400 | 1 | Gasket | 43 | 25-2500 | 1 | Shaft-Trunnion |
| 15 | 95-5811 | 1 | Plate-Valve | 44 | 252-82 | 1 | Bearing-Needle |
| 16 | 48-1800 | 1 | Cylinder Block Kit | 46 | 32151-75 | 1 | Ring-Retaining |
| 16:1 | | 1 | Retainer-Slipper ● | 47 | 95-5810 | 1 | Shaft |
| 16:2 | | 9 | Piston ASM ● | 48 | 25-2450 | 1 | Plate-Swash, Variable |
| 19 | 3257-32 | 2 | Key-Woodruff | 49 | 32121-91 | 4 | Pin-Spring |
| 20 | 95-5809 | 1 | Bearing-Ball | 50 | 25-2380 | 1 | Plate-Thrust |
| 21 | 94-3996 | 1 | Ring-Retaining | 51 | 46-8400 | 1 | Bearing-Shaft |
| 22 | 353-988 | 1 | Plug-Hex | 53 | 88-8230 | 1 | Seal-Lip |
| 22:1 | 237-79 | 1 | O-Ring | 55 | 323-45 | 4 | Screw-HH |
| 23 | 285-17 | 2 | Plug-Pipe | 56 | 99-5689 | 1 | Check Valve Kit |
| 24 | 88-8190 | 1 | Bearing-Journal | 56:1 | 25-2490 | 1 | Ball |
| 25 | 25-3210 | 2 | Seal-Lip | 56:2 | 25-2640 | 1 | Spring-Valve |
| 26 | 25-2510 | 2 | Washer-Flat | 56:3 | 25-2650 | 1 | Plug-Valve, Check |
| 27 | 88-8180 | 1 | Shaft-Trunnion | 56:4 | 237-86 | 1 | O-Ring |

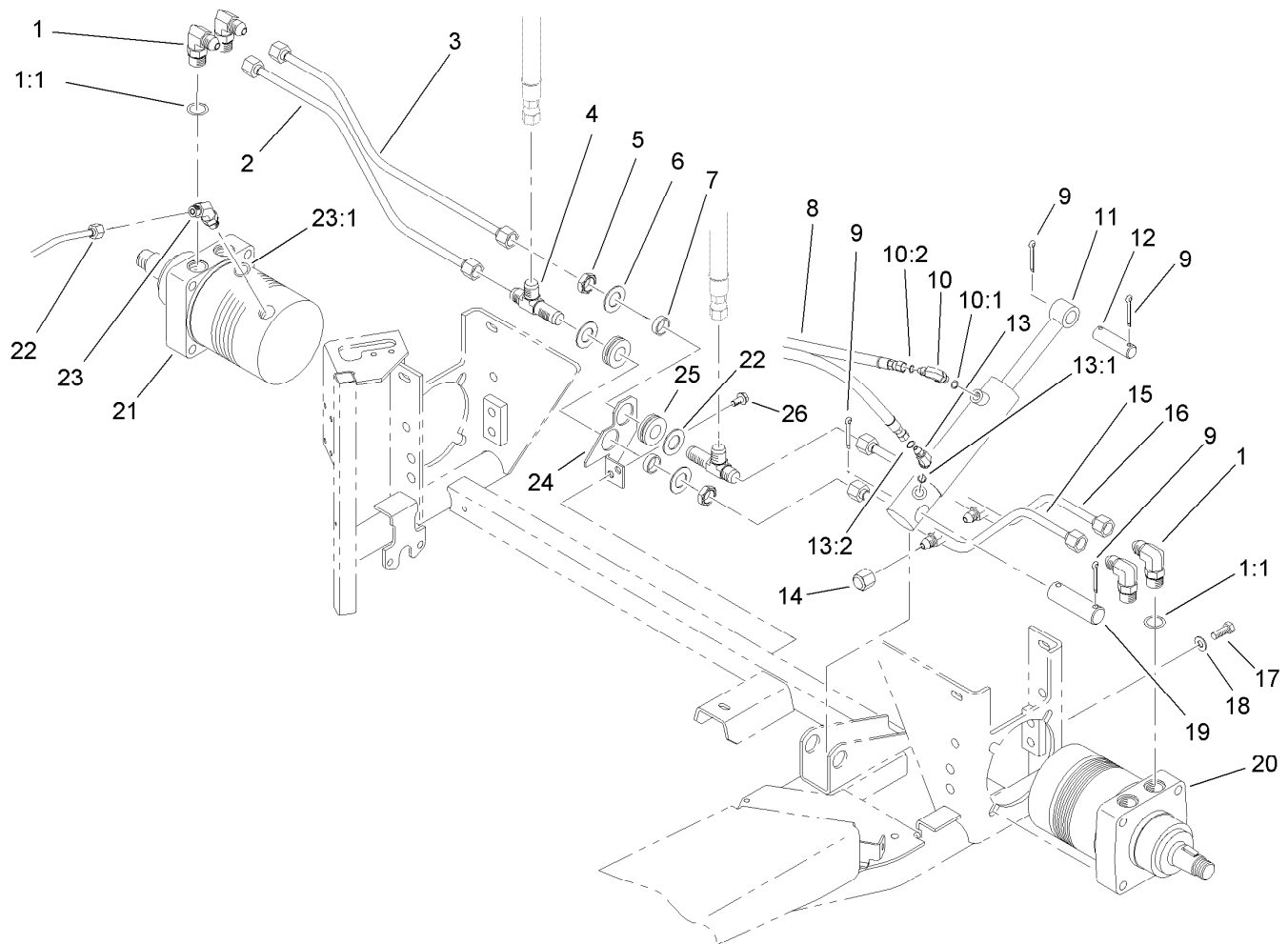
● Not serviced separately



Variable Hydraulic Piston Pump Assembly No. 114-0613 (continued)

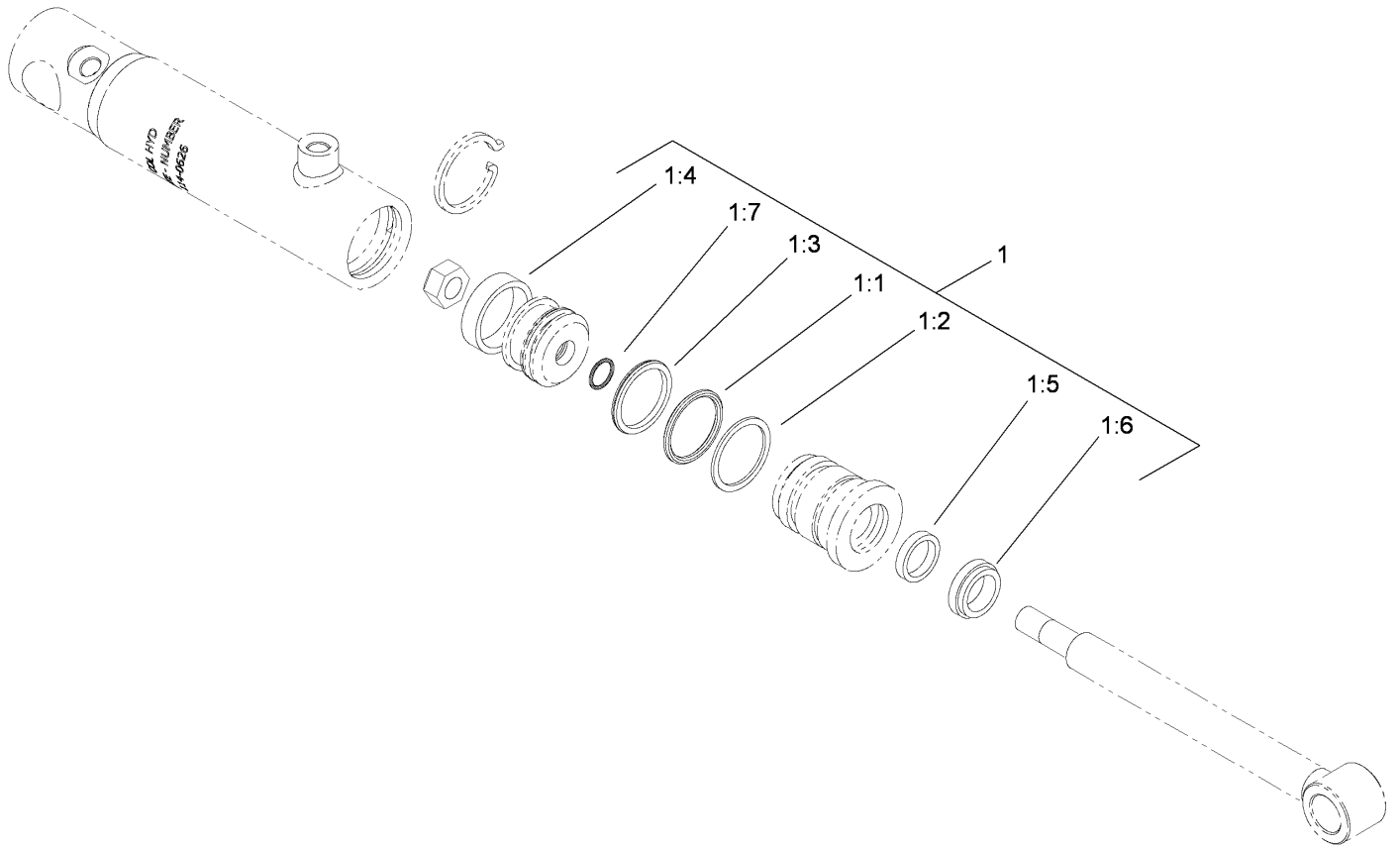
| <i>Ref.</i> | <i>Part Number</i> | <i>Qty.</i> | <i>Description</i> | <i>Ref.</i> | <i>Part Number</i> | <i>Qty.</i> | <i>Description</i> |
|-------------|--------------------|-------------|----------------------|-------------|--------------------|-------------|---------------------|
| 57 | 49-8520 | 1 | Implement Relief Kit | 58:1 | 25-2480 | 1 | Spring-Valve |
| 57:1 | 83-7260 | 1 | Cone-Relief, Charge | 58:2 | 25-2460 | 1 | Plug-HH |
| 57:2 | 25-2570 | 1 | Spring-Valve | 58:3 | 237-86 | 1 | O-Ring |
| 57:3 | 25-2470 | 1 | Pack-Shim | 58:4 | 25-2470 | 1 | Pack-Shim |
| 57:4 | 237-86 | 1 | O-Ring | 58:5 | 83-7260 | 1 | Cone-Relief, Charge |
| 57:5 | 25-2460 | 1 | Plug-HH | 59 | 114-0618 | 1 | Kit-Seal |
| 58 | 49-8510 | 1 | Valve Kit | | | | |

● Not serviced separately



Rear Wheel Drive Assembly

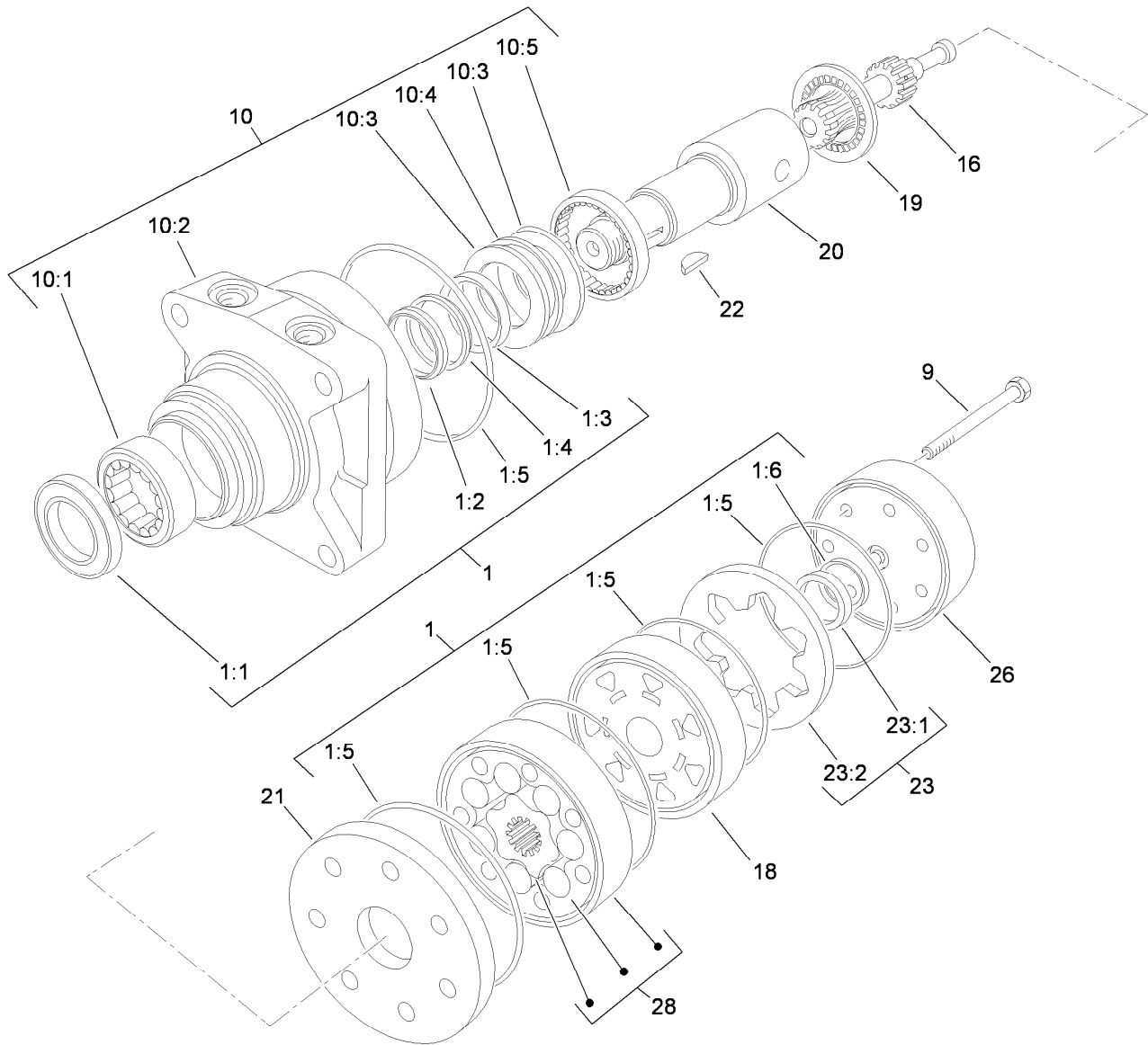
| <i>Ref.</i> | <i>Part Number</i> | <i>Qty.</i> | <i>Description</i> | <i>Ref.</i> | <i>Part Number</i> | <i>Qty.</i> | <i>Description</i> |
|-------------|--------------------|-------------|---------------------|-------------|--------------------|-------------|---------------------|
| 1 | 353-426 | 4 | Fitting-90 DEG | 13:1 | 237-78 | 1 | O-Ring |
| 1:1 | 237-80 | 1 | O-Ring | 13:2 | 237-21 | 1 | O-Ring |
| 2 | 95-0564 | 1 | Tube-RH, Front | 14 | 95-0594 | 2 | Fitting-Cap |
| 3 | 95-0559 | 1 | Tube-RH, Rear | 15 | 95-0560 | 1 | Tube-LH, Front |
| 4 | 95-0577 | 2 | Fitting-Bulkhead | 16 | 95-0567 | 1 | Tube-LH, Rear |
| 5 | 95-0642 | 2 | Locknut-Bulkhead | 17 | 325-5 | 4 | Screw-HH |
| 6 | 69-8930 | 4 | Washer | 18 | 3256-26 | 4 | Washer-Flat |
| 7 | 69-8960 | 2 | Spacer | 19 | 18-7160 | 1 | Pin-Cylinder |
| 8 | 75-6200 | 2 | Hose | 20 | 75-9831 | 1 | HYD Motor ASM |
| 9 | 3272-23 | 4 | Pin-Cotter | 21 | 75-9840 | 1 | HYD Motor ASM |
| 10 | 340-132 | 1 | Fitting-HYD, 90 DEG | 22 | 95-0575 | 1 | Tube-Valve, Shuttle |
| 10:1 | 237-78 | 1 | O-Ring | 23 | 353-212 | 1 | Fitting-HYD, 45 DEG |
| 10:2 | 237-21 | 1 | O-Ring | 23:1 | 237-42 | 1 | O-Ring |
| 11 | 114-0626 | 1 | HYD Cylinder ASM | 24 | 95-0568-01 | 1 | Bracket-Bulkhead |
| 12 | 18-7310 | 1 | Pin-Cylinder | 25 | 240-5 | 2 | Grommet-Rubber |
| 13 | 340-103 | 1 | Fitting-HYD, 45 DEG | 26 | 32144-14 | 2 | Screw-HWHTF |



Hydraulic Cylinder Assembly No. 114-0626

| <i>Ref.</i> | <i>Part Number</i> | <i>Qty.</i> | <i>Description</i> |
|-------------|--------------------|-------------|--------------------|
| 1 | 115-4129 | 1 | Repair Kit |
| 1:1 | | 1 | O-Ring ● |
| 1:2 | | 1 | Ring-Backup ● |
| 1:3 | | 1 | Seal-Bp ● |
| 1:4 | | 1 | Ring-Wear ● |
| 1:5 | | 1 | Seal-Bs ● |
| 1:6 | | 1 | Seal-Dust ● |
| 1:7 | | 1 | O-Ring ● |

● Not serviced separately

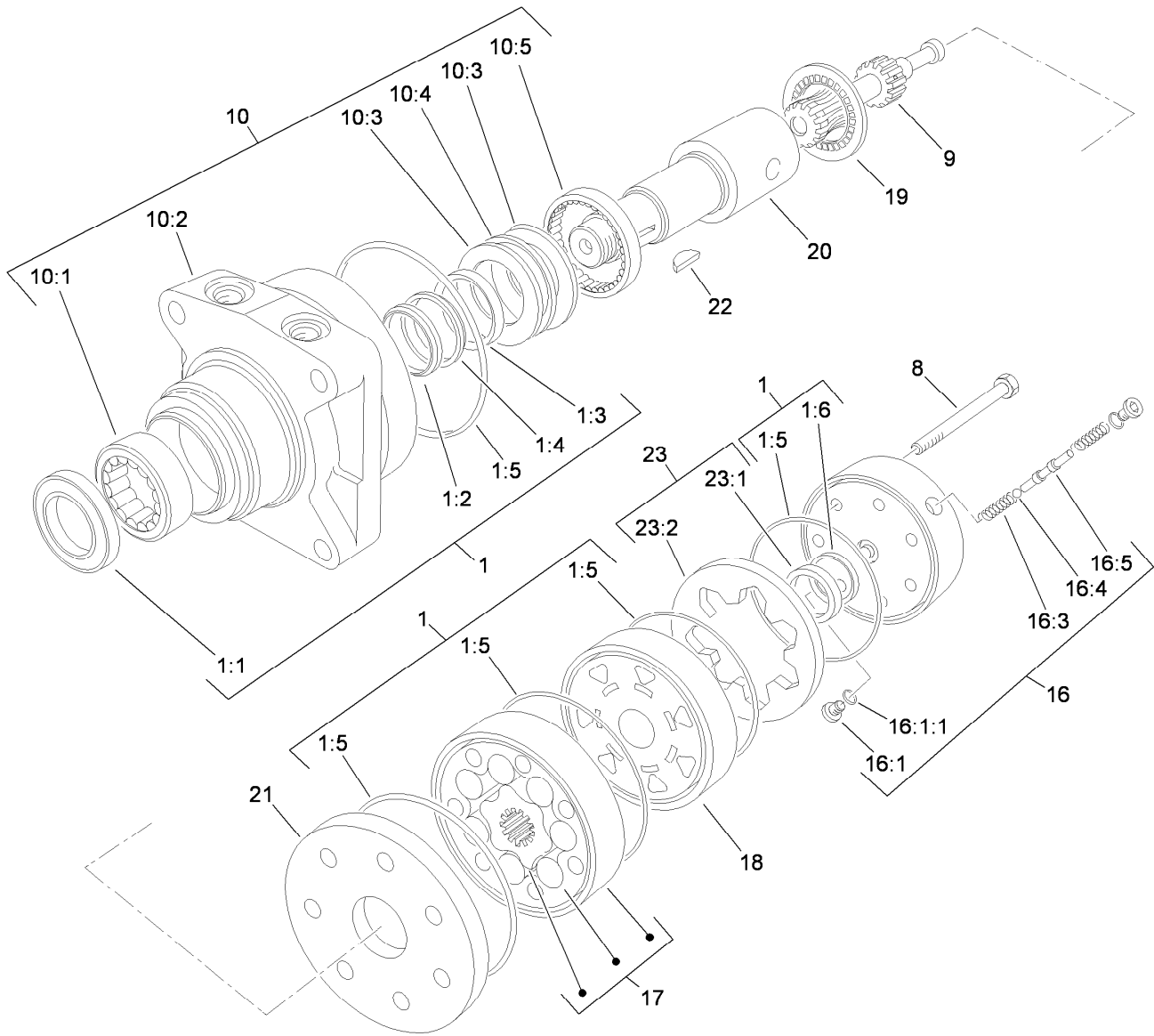


Hydraulic Motor Assembly No. 75-9831

| Ref. | Part Number | Qty. | Description |
|------|-------------|------|-----------------------------|
| 1 | 94-8178 | 1 | Seal Kit |
| 1:1 | | 1 | Seal-Dirt And Water ● |
| 1:2 | | 1 | Backup-Ring ● |
| 1:3 | | 1 | Seal-Shaft ● |
| 1:4 | | 1 | Washer-Backup ● |
| 1:5 | | 5 | Seal-Square, Ring (Inner) ● |
| 1:6 | | 1 | Seal-Commutator ● |
| 9 | 76-1020 | 7 | Screw-Cap, HH |
| 10 | 76-0810 | 1 | Housing ASM |
| 10:1 | | 1 | Bearing ● |
| 10:2 | | 1 | Housing ● |
| 10:3 | | 2 | Washer-Thrust ● |
| 10:4 | | 1 | Bearing-Thrust ● |

| Ref. | Part Number | Qty. | Description |
|------|-------------|------|-------------------|
| 10:5 | | 1 | Bearing ● |
| 16 | 76-0820 | 1 | Line-Drive |
| 18 | 76-0840 | 1 | Manifold |
| 19 | 76-0850 | 1 | Bearing-Thrust |
| 20 | 76-0860 | 1 | Shaft-Coupling |
| 21 | 76-0870 | 1 | Plate-Wear |
| 22 | 3257-42 | 1 | Key-Woodruff |
| 23 | 76-0880 | 1 | Commutator ASM |
| 23:1 | | 1 | Commutator ● |
| 23:2 | | 1 | Ring-Commutator ● |
| 26 | 76-0940 | 1 | End Cover ASM |
| 28 | 76-0830 | 1 | Rotor Set |

● Not serviced separately

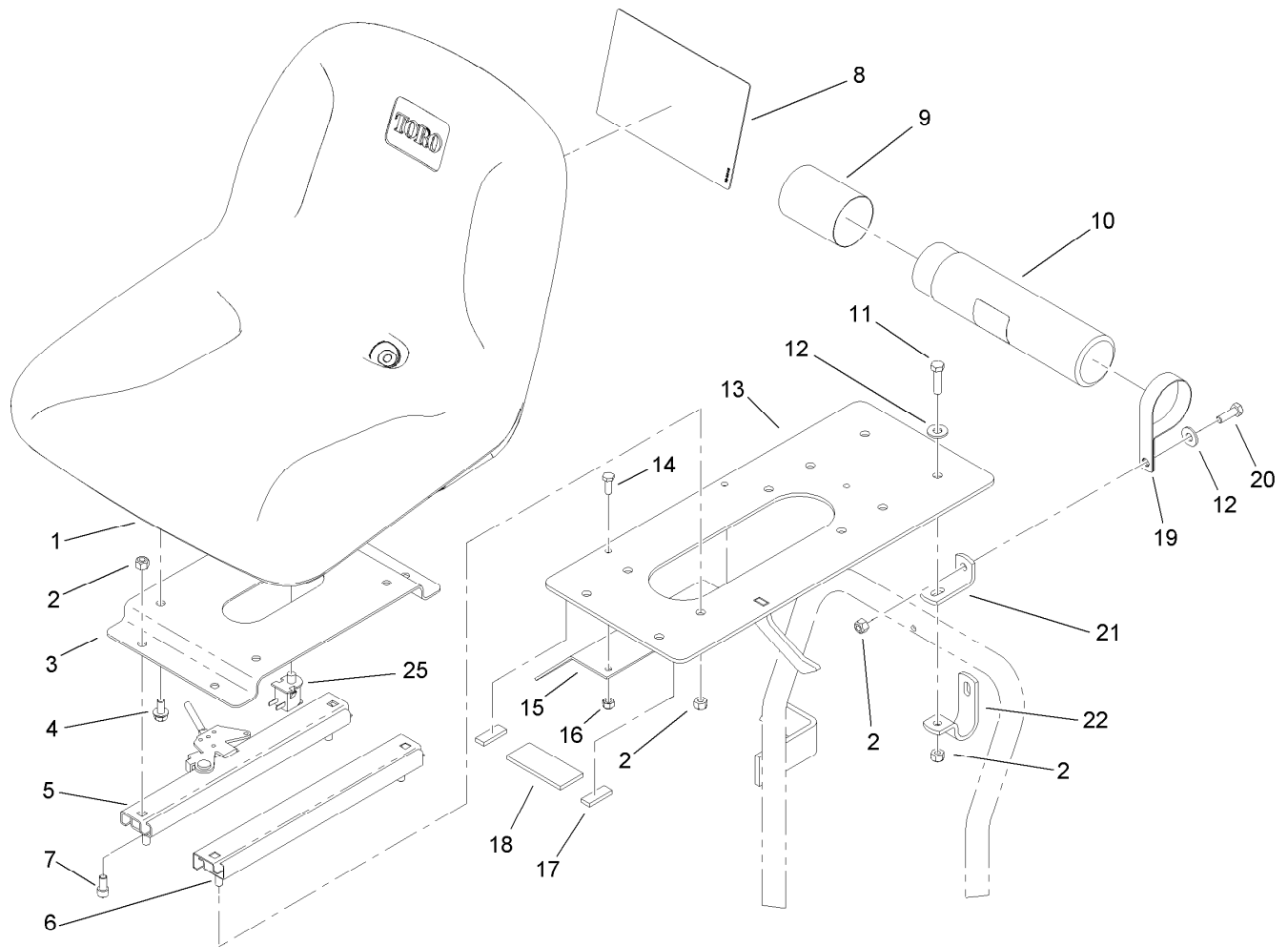


Hydraulic Motor Assembly No. 75-9840

| Ref. | Part Number | Qty. | Description |
|------|-------------|------|-----------------------------|
| 1 | 94-8178 | 1 | Seal Kit |
| 1:1 | | 1 | Seal-Dirt And Water ● |
| 1:2 | | 1 | Backup-Ring ● |
| 1:3 | | 1 | Seal-Shaft ● |
| 1:4 | | 1 | Washer-Backup ● |
| 1:5 | | 5 | Seal-Square, Ring (Inner) ● |
| 1:6 | | 1 | Seal-Commutator ● |
| 8 | 76-1040 | 7 | Screw-Cap, HH |
| 9 | 76-0820 | 1 | Line-Drive |
| 10 | 76-0810 | 1 | Housing ASM |
| 10:1 | | 1 | Bearing ● |
| 10:2 | | 1 | Housing ● |
| 10:3 | | 2 | Washer-Thrust ● |
| 10:4 | | 1 | Bearing-Thrust ● |
| 10:5 | | 1 | Bearing ● |

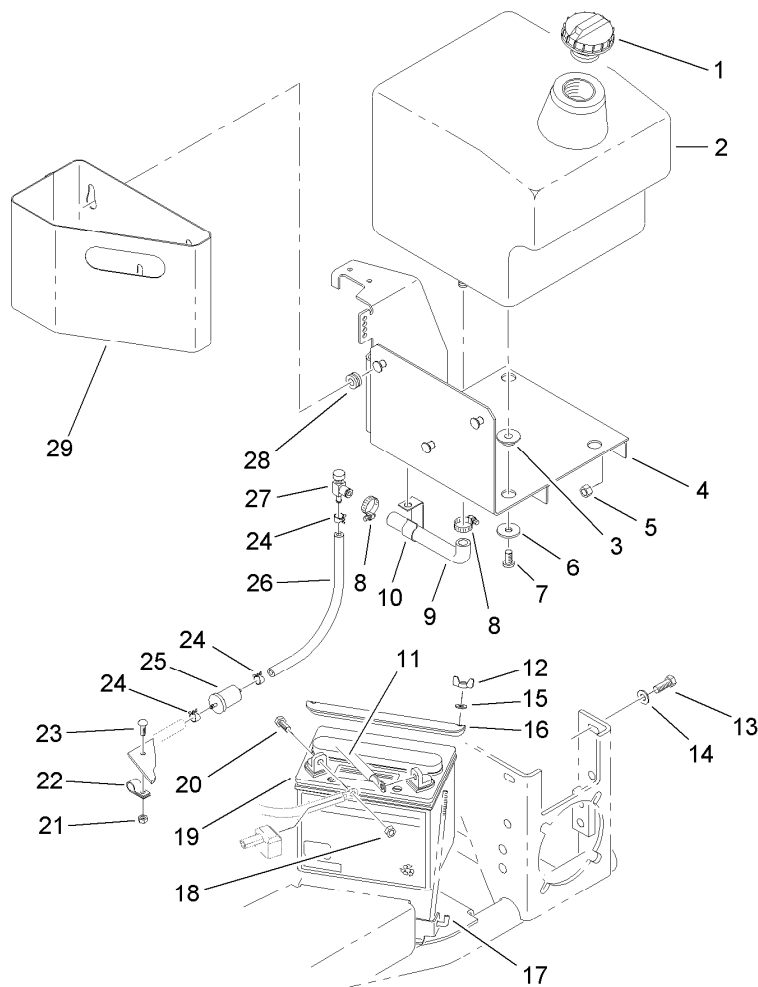
| Ref. | Part Number | Qty. | Description |
|--------|-------------|------|-------------------|
| 16 | 76-0890 | 1 | End Cover ASM |
| 16:1 | 353-990 | 2 | Plug |
| 16:1:1 | 237-78 | 1 | O-Ring |
| 16:3 | | 2 | Spring ● |
| 16:4 | | 1 | Ball ● |
| 16:5 | | 1 | Valve-Shuttle ● |
| 17 | 76-0830 | 1 | Rotor Set |
| 18 | 76-0840 | 1 | Manifold |
| 19 | 76-0850 | 1 | Bearing-Thrust |
| 20 | 76-0860 | 1 | Shaft-Coupling |
| 21 | 76-0870 | 1 | Plate-Wear |
| 22 | 3257-42 | 1 | Key-Woodruff |
| 23 | 76-0880 | 1 | Commutator ASM |
| 23:1 | | 1 | Commutator ● |
| 23:2 | | 1 | Ring-Commutator ● |

● Not serviced separately



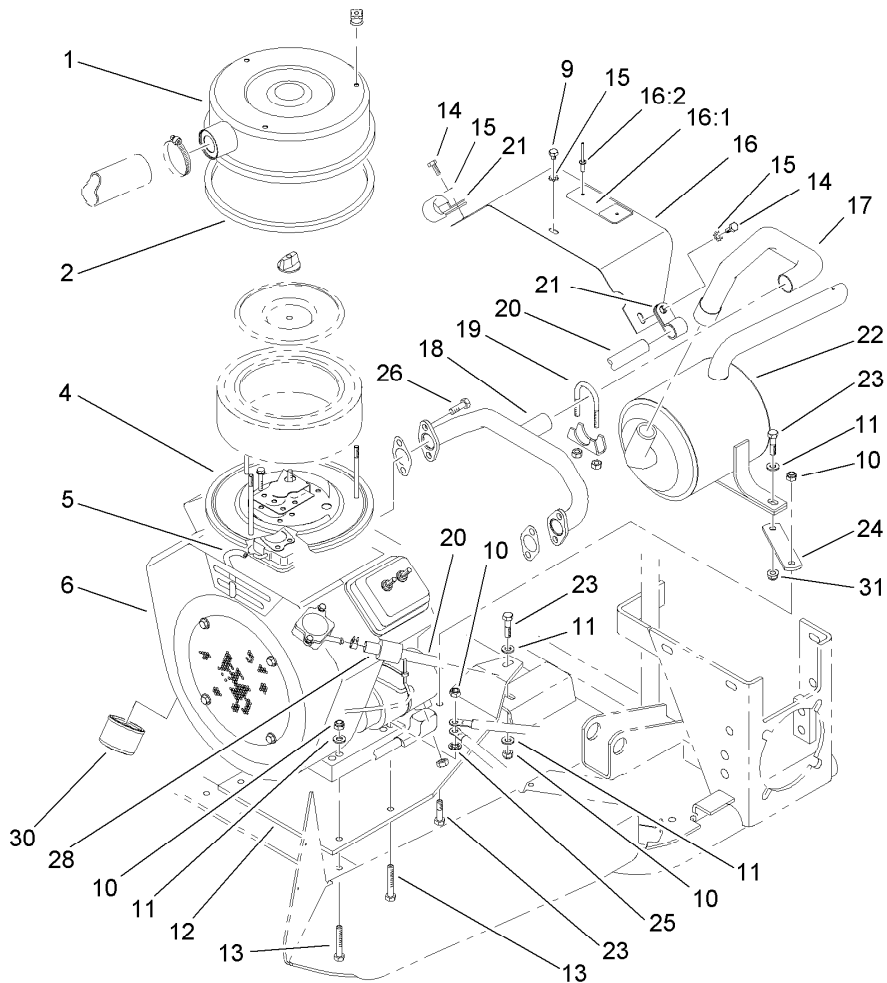
Seat Assembly

| Ref. | Part Number | Qty. | Description |
|------|-------------|------|------------------------|
| 1 | 108-6878 | 1 | Seat |
| 2 | 3296-29 | 12 | Nut-Lock, NI |
| 3 | 110-7374-03 | 1 | Mount-Seat |
| 4 | 3234-14 | 4 | Screw-HHF |
| 5 | 51-0790 | 1 | Adjuster-Seat, LH |
| 6 | 51-0780 | 1 | Slider-Seat |
| 7 | 3274-12 | 4 | Screw-HSH |
| 8 | 114-4318 | 1 | Decal-Reference, Quick |
| 9 | 104-7048 | 1 | Cap-Housing |
| 10 | 104-7050 | 1 | Tube-Manual |
| 11 | 322-6 | 2 | Screw-HH |
| 12 | 3256-3 | 4 | Washer-Flat |
| 13 | 112-7682-03 | 1 | Seat Plate ASM |
| 14 | 321-4 | 2 | Screw-HH |
| 15 | 95-5840-03 | 1 | Shield-Base, Seat |
| 16 | 3296-42 | 2 | Nut-Lock, NI |
| 17 | 74-0340 | 2 | Cushion-Rubber |
| 18 | 74-0342 | 1 | Cushion-Rubber |
| 19 | 2412-133 | 2 | R-Clamp |
| 20 | 322-5 | 2 | Screw-HH |
| 21 | 92-8973 | 2 | Angle |
| 22 | 92-8972 | 2 | Clamp-Seat |
| 25 | 82-2190 | 1 | Switch-Bail |



Fuel Tank Assembly

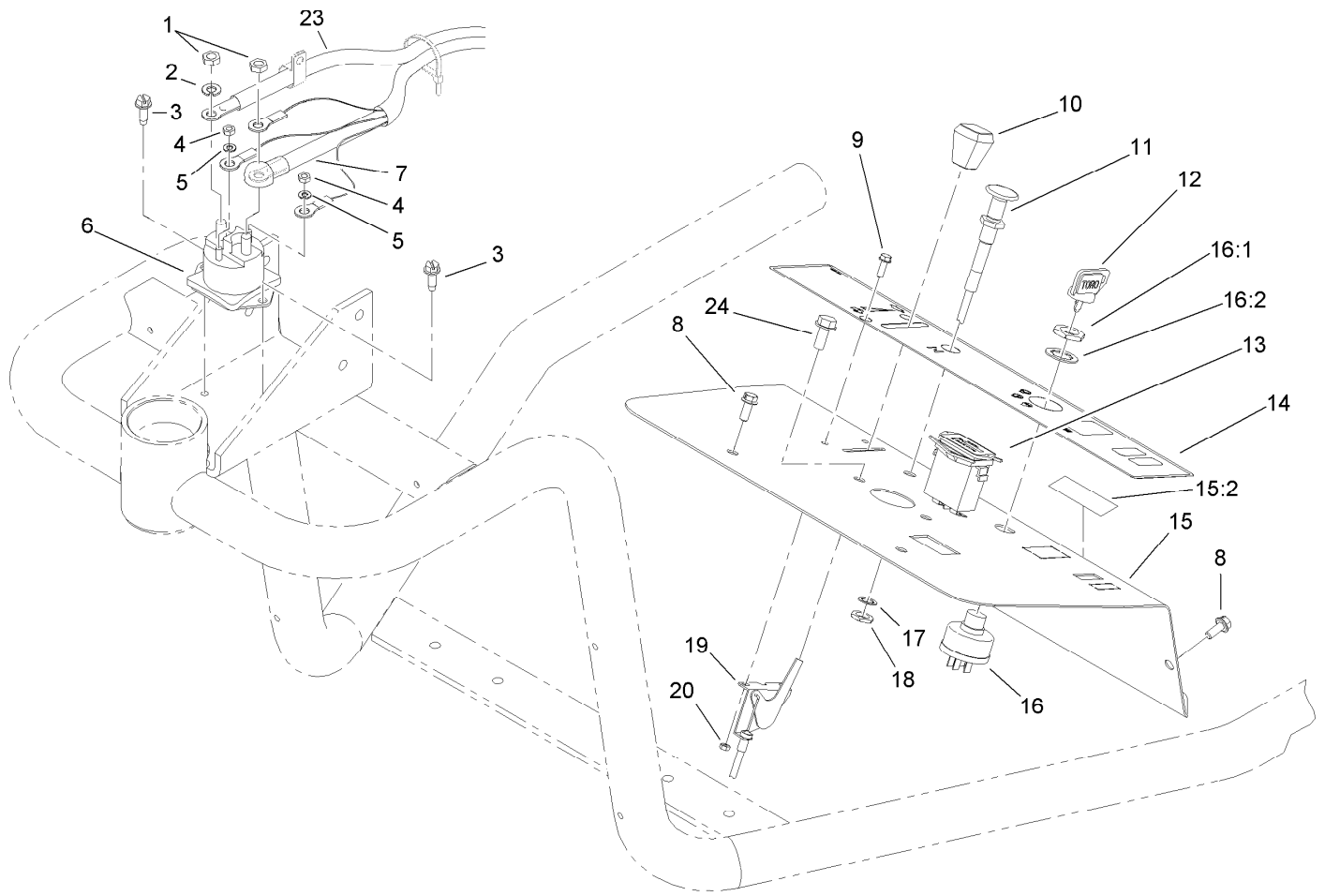
| <i>Ref.</i> | <i>Part Number</i> | <i>Qty.</i> | <i>Description</i> | <i>Ref.</i> | <i>Part Number</i> | <i>Qty.</i> | <i>Description</i> |
|-------------|--------------------|-------------|-------------------------|-------------|--------------------|-------------|----------------------|
| 1 | 93-7170 | 1 | Cap-Fuel | 16 | 92-5018-03 | 1 | Clamp-Battery |
| 2 | 92-7186 | 1 | Tank-Fuel | 17 | 100-6435 | 2 | Post-Battery |
| 3 | 240-11 | 4 | Bushing-Flange | 18 | 3296-29 | 2 | Nut-Lock, NI |
| 4 | 95-0576-03 | 1 | Base-Tank, Fuel | 19 | 104-8162 | 1 | Battery |
| 5 | 3296-39 | 3 | Nut-Lock, NI | 20 | 322-3 | 2 | Screw-HH |
| 6 | 63-8410 | 4 | Washer | 21 | 3296-42 | 1 | Nut-Lock, NI |
| 7 | 3250-36 | 4 | Screw-PPH | 22 | 2412-73 | 1 | Clamp-R |
| 8 | 2412-36 | 2 | Clamp-Hose | 23 | 3274-69 | 1 | Screw-HSBH |
| 9 | 110-8151 | 1 | Hose-Fuel, Formed | 24 | 2412-98 | 4 | Clamp |
| 10 | 92-7160 | 1 | Clip | 25 | 94-2690 | 1 | Filter-Fuel |
| 11 | 110-8843 | 1 | Cable-Battery, Negative | 26 | 109-0294 | 1 | Hose-Fuel |
| 12 | 32103-12 | 2 | Nut-Wing | 27 | 83-1390 | 1 | Valve-Shut-Off, Fuel |
| 13 | 323-7 | 3 | Screw-HH | 28 | 240-9 | 3 | Grommet |
| 14 | 3256-24 | 3 | Washer-Flat | 29 | 86-7640-01 | 1 | Box-Litter |
| 15 | 3256-22 | 2 | Washer-Flat | | | | |



Engine Installation Assembly

| <i>Ref.</i> | <i>Part Number</i> | <i>Qty.</i> | <i>Description</i> |
|-------------|--------------------|-------------|---|
| 1 | 114-0607-03 | 1 | Air Cleaner Cover ASM |
| 2 | 85-8360 | 1 | Gasket-Ring |
| 4 | 85-8430-03 | 1 | Base-Cleaner, Air |
| 5 | 75-4705 | 1 | Hose-Fuel |
| 6 | 114-0605 | 1 | Engine-Briggs & Stratton, 305447-0203-E1 |
| 9 | 33113-008 | 1 | Screw-HH |
| 10 | 3296-29 | 6 | Nut-Lock, NI |
| 11 | 3256-23 | 6 | Washer-Flat |
| 12 | 95-0556-03 | 1 | Base-Engine |
| 13 | 322-10 | 4 | Screw-HH |
| 14 | 33113-012 | 2 | Screw-HH |
| 15 | 3255-7 | 3 | Washer-Lock/EXT |
| 16 | 105-8523 | 1 | Muffler Shield ASM |
| 16:1 | 95-0645 | 1 | Plate-Surface, Hot |

| <i>Ref.</i> | <i>Part Number</i> | <i>Qty.</i> | <i>Description</i> |
|-------------|--------------------|-------------|--------------------|
| 16:2 | 3269-32 | 2 | Rivet-Pop |
| 17 | 95-0551 | 1 | Tube-Exhaust |
| 18 | 95-0550 | 1 | Manifold-Exhaust |
| 19 | 95-0586 | 2 | Clamp ASM |
| 20 | 109-0302 | 1 | Hose-Fuel |
| 21 | 2412-73 | 2 | Clamp-R |
| 22 | 95-0552 | 1 | Muffler |
| 23 | 322-5 | 3 | Screw-HH |
| 24 | 114-0608 | 1 | Bracket-Muffler |
| 25 | 3255-8 | 1 | Washer-Lock |
| 26 | 94-5300 | 4 | Screw-HHF |
| 28 | 38-3400 | 1 | Guard-Rubber |
| 30 | 107-7817 | 1 | Filter-Oil |
| 31 | 104-8300 | 1 | Nut-Flange, NI |

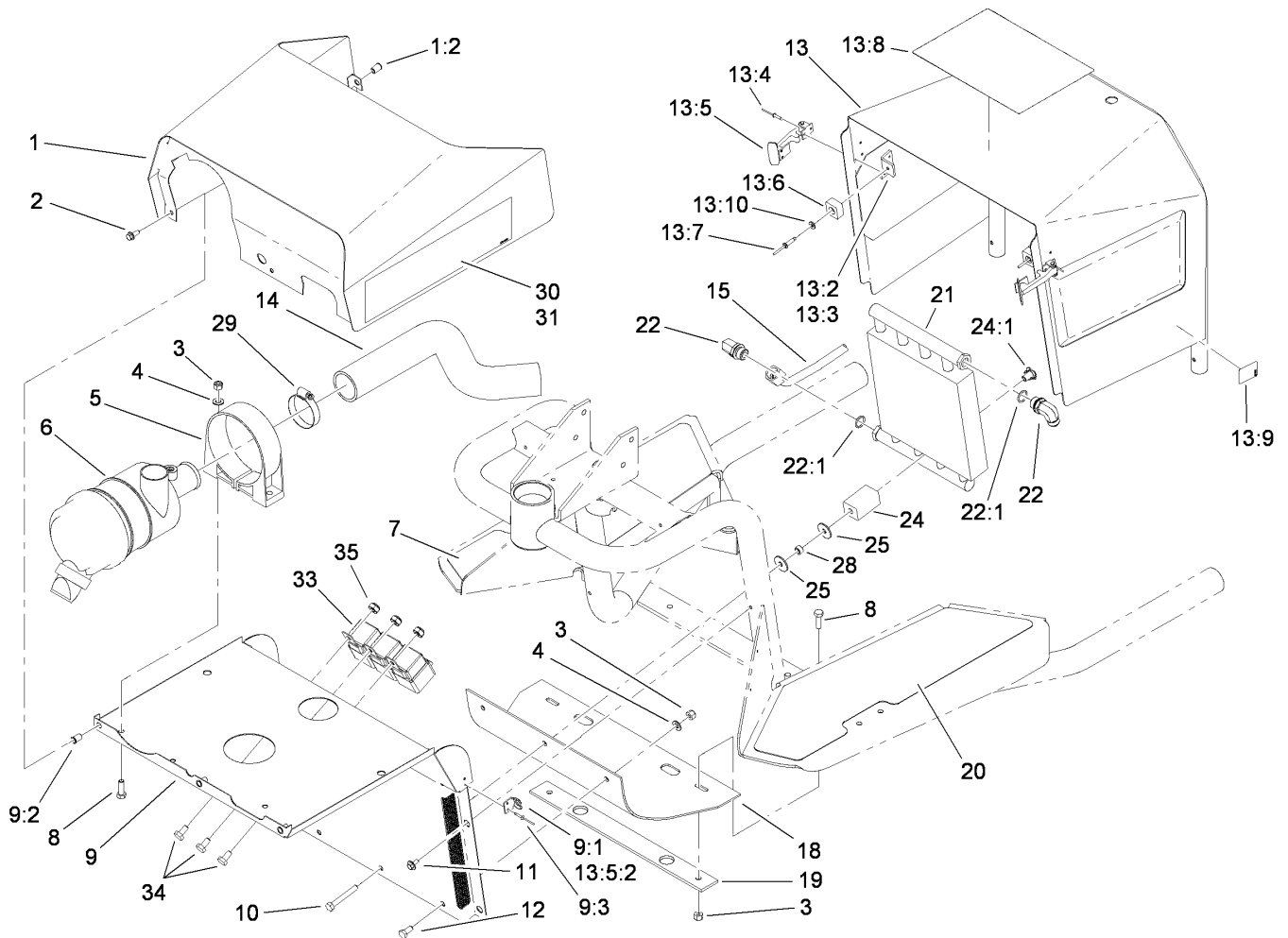


Dash Panel Assembly

| Ref. | Part Number | Qty. | Description |
|------|-------------|------|-------------------------|
| 1 | 3218-13 | 2 | Nut-Jam, Brass |
| 2 | 3253-4 | 2 | Washer-Lock |
| 3 | 32104-95 | 2 | Screw-HWH |
| 4 | 3219-14 | 2 | Nut-Hex |
| 5 | 3253-17 | 2 | Washer-Lock |
| 6 | 28-4210 | 1 | Solenoid |
| 7 | 110-8844 | 1 | Cable-Battery, Positive |
| 8 | 3234-33 | 4 | Screw-HHF |
| 9 | 32105-2 | 2 | Screw-SHWH |
| 10 | 66-0120 | 1 | Knob |
| 11 | 112-7689 | 1 | Control-Choke |
| 12 | 63-8360 | 2 | Key-Ignition |
| 13 | 1-513374 | 1 | Meter-Hour |

| Ref. | Part Number | Qty. | Description |
|------|-------------|------|------------------------|
| 14 | 112-7629 | 1 | Decal-Dash |
| 15 | 110-7396 | 1 | Dash Panel ASM |
| 15:2 | 93-9052 | 1 | Decal-Danger |
| 16 | 83-0020 | 1 | Switch-Ignition |
| 16:1 | 218-461 | 1 | Nut-HH |
| 16:2 | 3254-5 | 1 | Washer-Tooth, Internal |
| 17 | 3254-6 | 1 | Washer-Lock, Internal |
| 18 | 3219-3 | 1 | Nut-Hex |
| 19 | 112-7688 | 1 | Control-Throttle |
| 20 | 3296-12 | 2 | Nut-Lock, NI |
| 23 | 95-5825 | 1 | Wire ASM |
| 23:1 | 83-2430 | 1 | Boot-Terminal ● |
| 24 | 32144-14 | 2 | Screw-HWHTF |

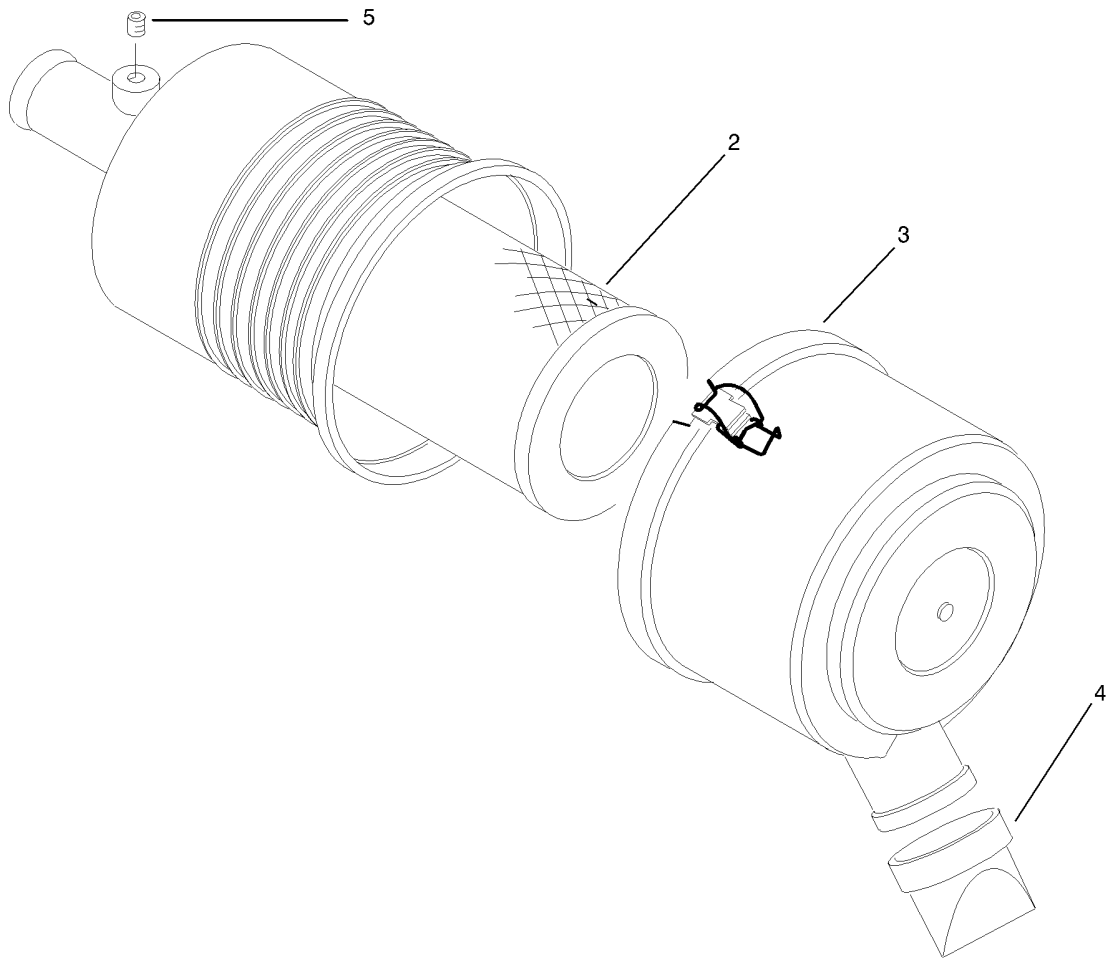
● Not illustrated



Shroud, Relay, Air Cleaner and Oil Cooler Assembly

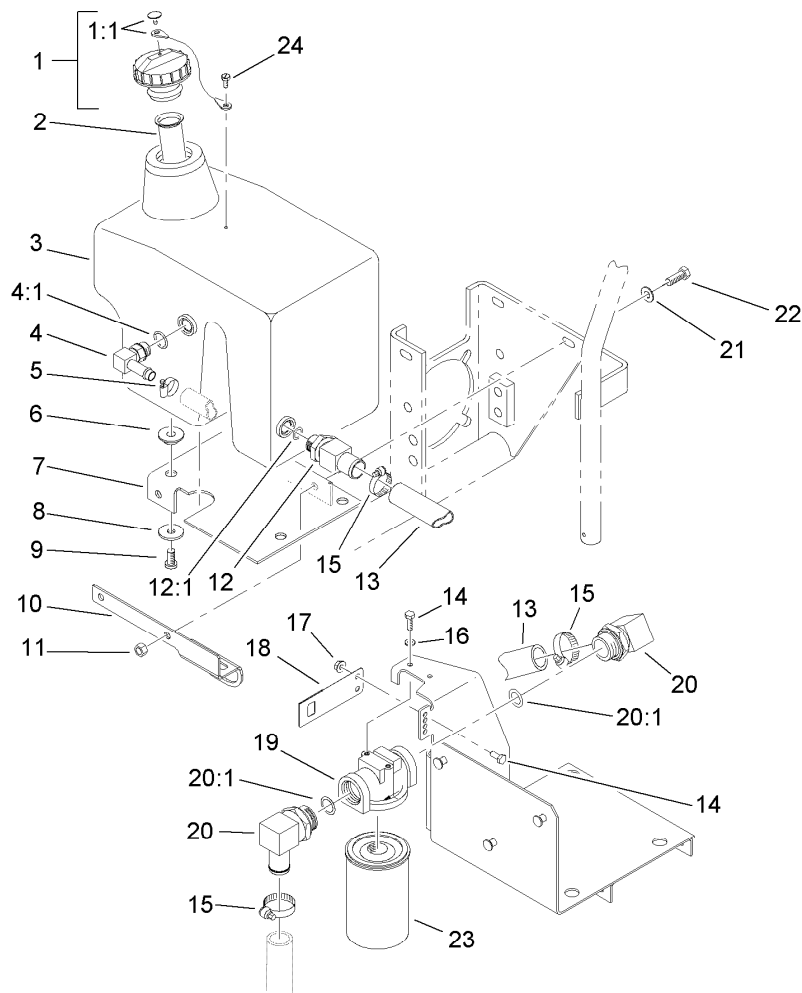
| Ref. | Part Number | Qty. | Description |
|--------|-------------|------|---------------------|
| 1 | 99-1644 | 1 | Dash Shroud ASM |
| 1:2 | 32148-6 | 4 | Insert-Nut |
| 2 | 3234-33 | 3 | Screw-HHF |
| 3 | 3296-29 | 6 | Nut-Lock, NI |
| 4 | 3256-23 | 4 | Washer-Flat |
| 5 | 95-5806 | 1 | Bracket-Mounting |
| 6 | 95-5805 | 1 | Air Cleaner ASM |
| 7 | 92-7158 | 1 | Tread-Floor, RH |
| 8 | 322-5 | 4 | Screw-HH |
| 9 | 95-5817 | 1 | Front Shield ASM |
| 9:1 | 249-40 | 2 | Keeper |
| 9:2 | 32148-6 | 3 | Insert-Nut |
| 9:3 | 3269-8 | 4 | Rivet-Blind |
| 10 | 322-11 | 2 | Screw-HH |
| 11 | 46-8560 | 6 | Screw-HHFTF |
| 12 | 322-2 | 2 | Screw-HH |
| 13 | 95-0610 | 1 | Engine Cover ASM |
| 13:2 | 95-0611 | 1 | Bracket-RH |
| 13:3 | 95-0612 | 1 | Bracket-LH |
| 13:4 | 3269-8 | 6 | Rivet-Blind |
| 13:5 | 59-9740 | 2 | Flex Draw Latch ASM |
| 13:5:2 | 249-40 | 1 | Keeper |
| 13:6 | 94-1392 | 2 | Pad-Rubber |

| Ref. | Part Number | Qty. | Description |
|-------|-------------|------|--------------------|
| 13:7 | 3269-28 | 2 | Rivet-Pop |
| 13:8 | 92-8985 | 1 | Decal-Operating |
| 13:9 | 93-7252 | 1 | Decal-Ce Mark |
| 13:10 | 3256-14 | 2 | Washer-Flat |
| 14 | 95-0582 | 1 | Hose-Intake, Air |
| 15 | 114-0679 | 1 | Tube-HYD |
| 18 | 95-5826 | 1 | Shield-Rubber |
| 19 | 95-0620-01 | 1 | Strip-Retainer |
| 20 | 92-7159 | 1 | Tread-Floor, LH |
| 21 | 92-8997 | 1 | Cooler-Oil |
| 22 | 353-371 | 2 | Fitting-Elbow-90 |
| 22:1 | 237-79 | 1 | O-Ring |
| 24 | 85-9550 | 2 | Rubber Clamp ASM |
| 24:1 | 85-9670 | 1 | T-Nut |
| 25 | 3256-82 | 3 | Washer-Flat |
| 28 | 85-9120 | 2 | Spacer-Pivot, Tilt |
| 29 | 2412-92 | 2 | Clamp-Hose |
| 30 | 106-8101 | 2 | Decal |
| 31 | 106-8102 | 2 | Decal |
| 33 | 99-7430 | 3 | Relay |
| 34 | 321-2 | 3 | Screw-HH |
| 35 | 3296-16 | 3 | Nut-Lock, NI |



Air Cleaner Assembly No. 95-5805

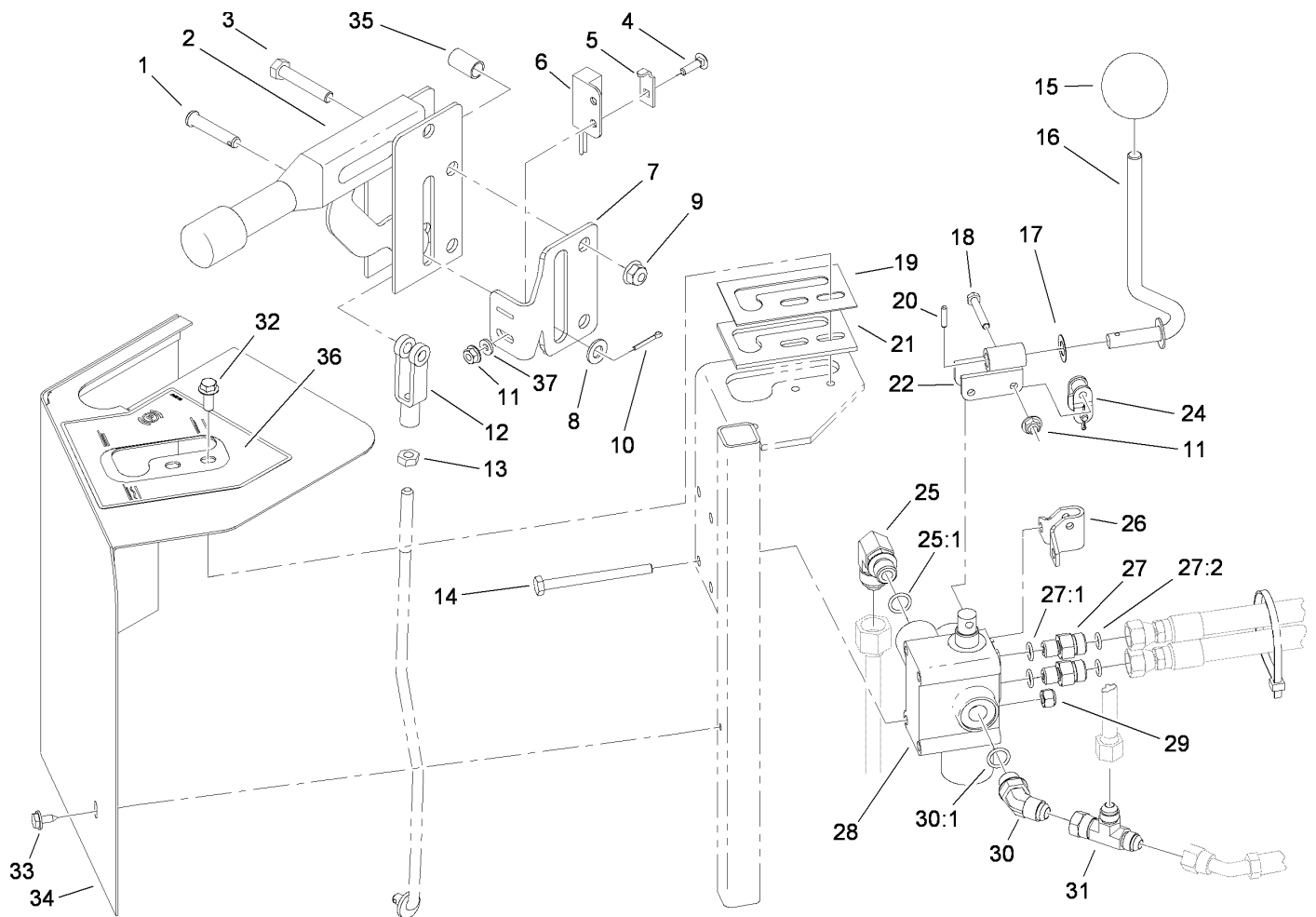
| <i>Ref.</i> | <i>Part Number</i> | <i>Qty.</i> | <i>Description</i> |
|-------------|--------------------|-------------|--------------------|
| 2 | 108-3811 | 1 | Filter-Air |
| 3 | 94-3652 | 1 | Cover ASM |
| 4 | 87-9400 | 1 | Valve-Vacuator |
| 5 | 285-17 | 1 | Plug-Pipe |



Hydraulic Oil Reservoir and Filter Assembly

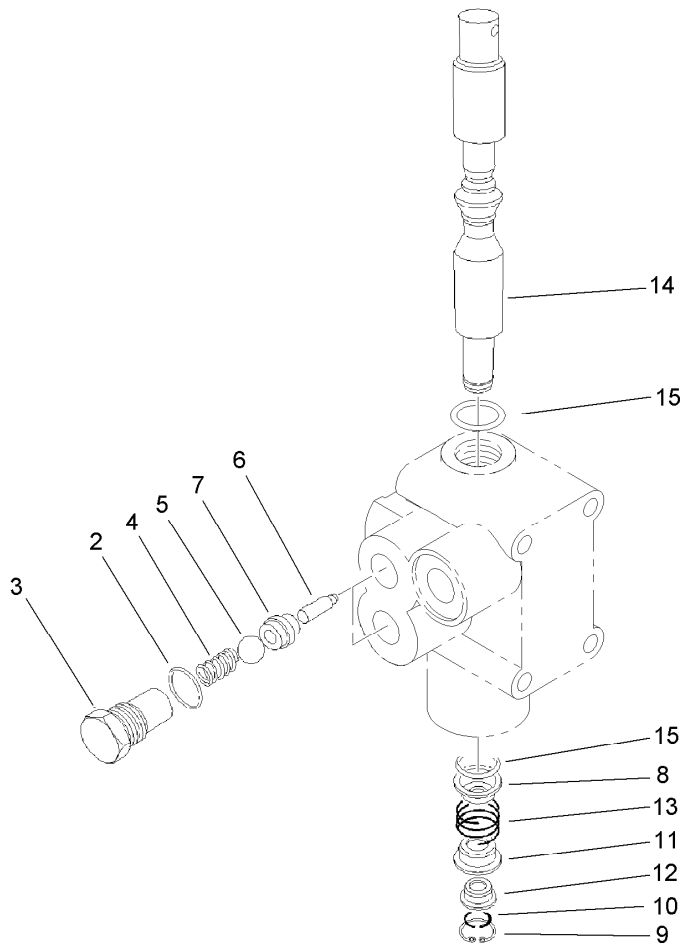
| Ref. | Part Number | Qty. | Description |
|------|-------------|------|-----------------------|
| 1 | 93-4365 | 1 | Cap-Oil |
| 1:1 | 75-0540 | 1 | Tether And Button Kit |
| 2 | 92-1705 | 1 | Filter-Screen |
| 3 | 98-0968 | 1 | Tank-HYD |
| 4 | 354-120 | 1 | Fitting-HYD, 90 DEG |
| 4:1 | 237-79 | 1 | O-Ring |
| 5 | 2412-36 | 1 | Clamp-Hose |
| 6 | 240-11 | 4 | Bushing-Flange |
| 7 | 95-0590-03 | 1 | Base-Tank, HYD |
| 8 | 63-8410 | 3 | Washer |
| 9 | 3250-36 | 3 | Screw-PPH |
| 10 | 112-7683 | 1 | Shield-Muffler |
| 11 | 3296-39 | 3 | Nut-Lock, NI |
| 12 | 354-136 | 1 | Fitting-HYD |

| Ref. | Part Number | Qty. | Description |
|------|-------------|------|-----------------|
| 12:1 | 237-80 | 1 | O-Ring |
| 13 | 107-2152 | 1 | Hose-Suction |
| 14 | 321-3 | 4 | Screw-HH |
| 15 | 2412-129 | 4 | Clamp-Hose |
| 16 | 3253-3 | 2 | Washer-Lock |
| 17 | 32128-33 | 2 | Nut-HF |
| 18 | 112-7677 | 1 | Clip-Spring |
| 19 | 68-8990 | 1 | Filter Head ASM |
| 20 | 353-987 | 2 | Fitting-HYD, 90 |
| 20:1 | 237-81 | 1 | O-Ring |
| 21 | 3256-24 | 3 | Washer-Flat |
| 22 | 323-7 | 3 | Screw-HH |
| 23 | 23-9740 | 1 | Filter-Oil |
| 24 | 57-5420 | 1 | Screw-Shoulder |



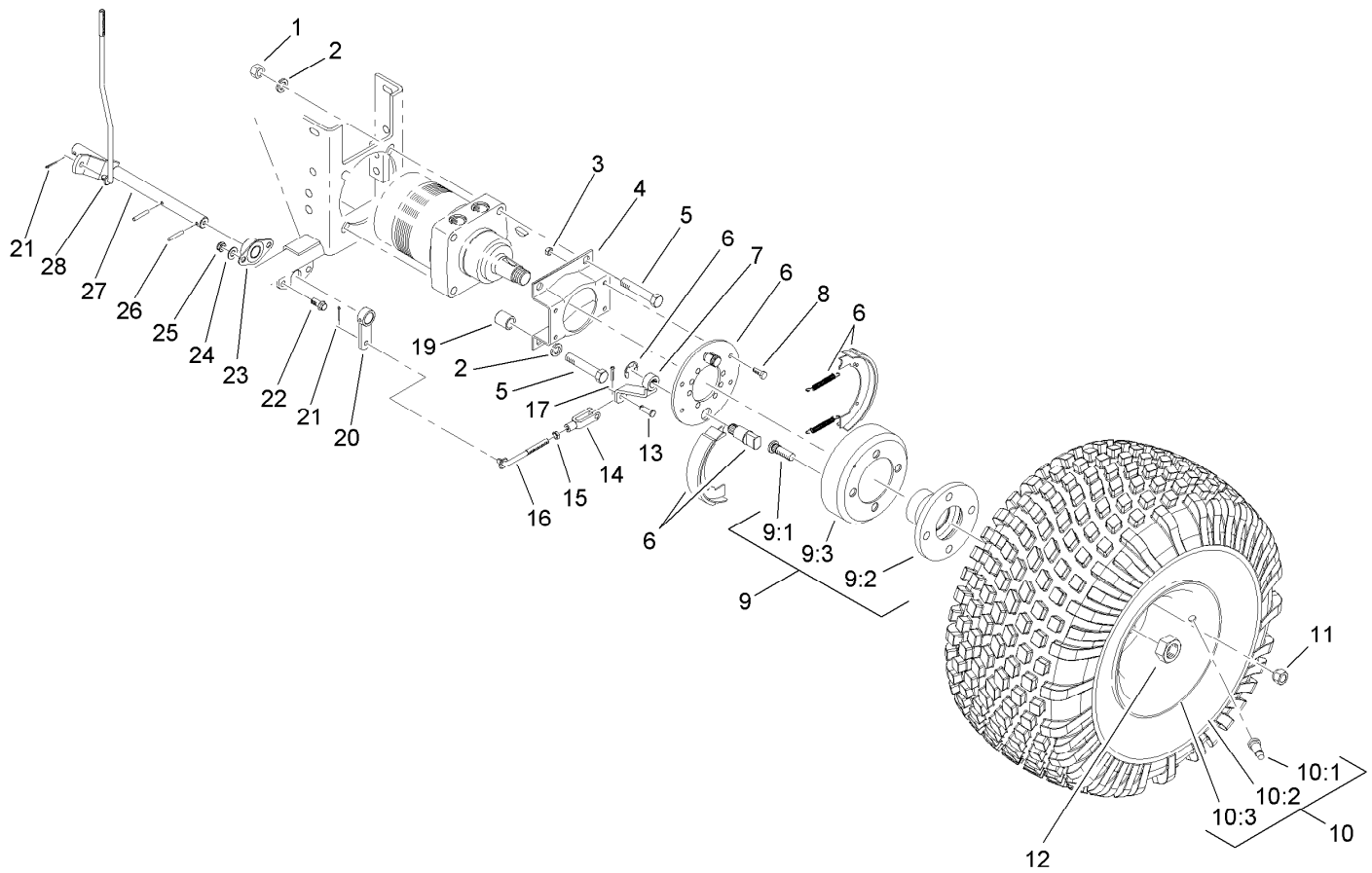
Lift Valve Installation Assembly

| Ref. | Part Number | Qty. | Description | Ref. | Part Number | Qty. | Description |
|------|-------------|------|---------------------------|------|-------------|------|---------------------------|
| 1 | 94-3829 | 1 | Pin-Clevis | 21 | 21-8640 | 1 | Latch-Lever, Valve |
| 2 | 95-0636 | 1 | Lever-Brake | 22 | 92-8983 | 1 | Pivot |
| 3 | 322-21 | 2 | Screw-HH | 24 | 2710-20 | 1 | Link-Offset |
| 4 | 3229-20 | 1 | Screw-CARR | 25 | 353-511 | 1 | Fitting-HYD, 90 DEG |
| 5 | 100-4872 | 1 | Plate-Switch, Neutral | 25:1 | 237-42 | 1 | O-Ring |
| 6 | 106-9288 | 1 | Sensor-Proximity, Ferrous | 26 | 88-8480 | 1 | Bracket-Pivot |
| 7 | 114-4364 | 1 | Bracket-Sensor, Brake | 27 | 340-92 | 2 | Fitting-HYD, Straight |
| 8 | 3256-23 | 1 | Washer-Flat | 27:1 | 237-78 | 1 | O-Ring |
| 9 | 104-8300 | 2 | Nut-Flange, NI | 27:2 | 237-21 | 1 | O-Ring |
| 10 | 3272-6 | 1 | Pin-Cotter | 28 | 43-1710 | 1 | Valve ASM |
| 11 | 32128-17 | 3 | Nut-Lock, Flange | 29 | 3296-42 | 4 | Nut-Lock, NI |
| 12 | 282-2 | 1 | Yoke | 30 | 353-212 | 1 | Fitting-HYD, 45 DEG |
| 13 | 3220-2 | 1 | Nut-Jam | 30:1 | 237-42 | 1 | O-Ring |
| 14 | 321-23 | 4 | Screw-HH | 31 | 353-877 | 1 | Fitting-HYD, Tee (Swivel) |
| 15 | 233-21 | 1 | Knob | 32 | 3234-33 | 2 | Screw-HHF |
| 16 | 92-8981 | 1 | Lift Lever ASM | 33 | 32104-76 | 1 | Screw |
| 17 | 3290-477 | 1 | Washer-Curved | 34 | 95-0601-01 | 1 | Valve Shroud ASM |
| 18 | 3290-360 | 2 | Screw-HH | 35 | 85-0290 | 2 | Spacer-Pivot, Seat |
| 19 | 95-5833 | 1 | Guide-Lever | 36 | 95-0647 | 1 | Decal-Control |
| 20 | 32121-73 | 1 | Pin-Roll | 37 | 3256-21 | 1 | Washer-Flat |



Valve Assembly No. 43-1710

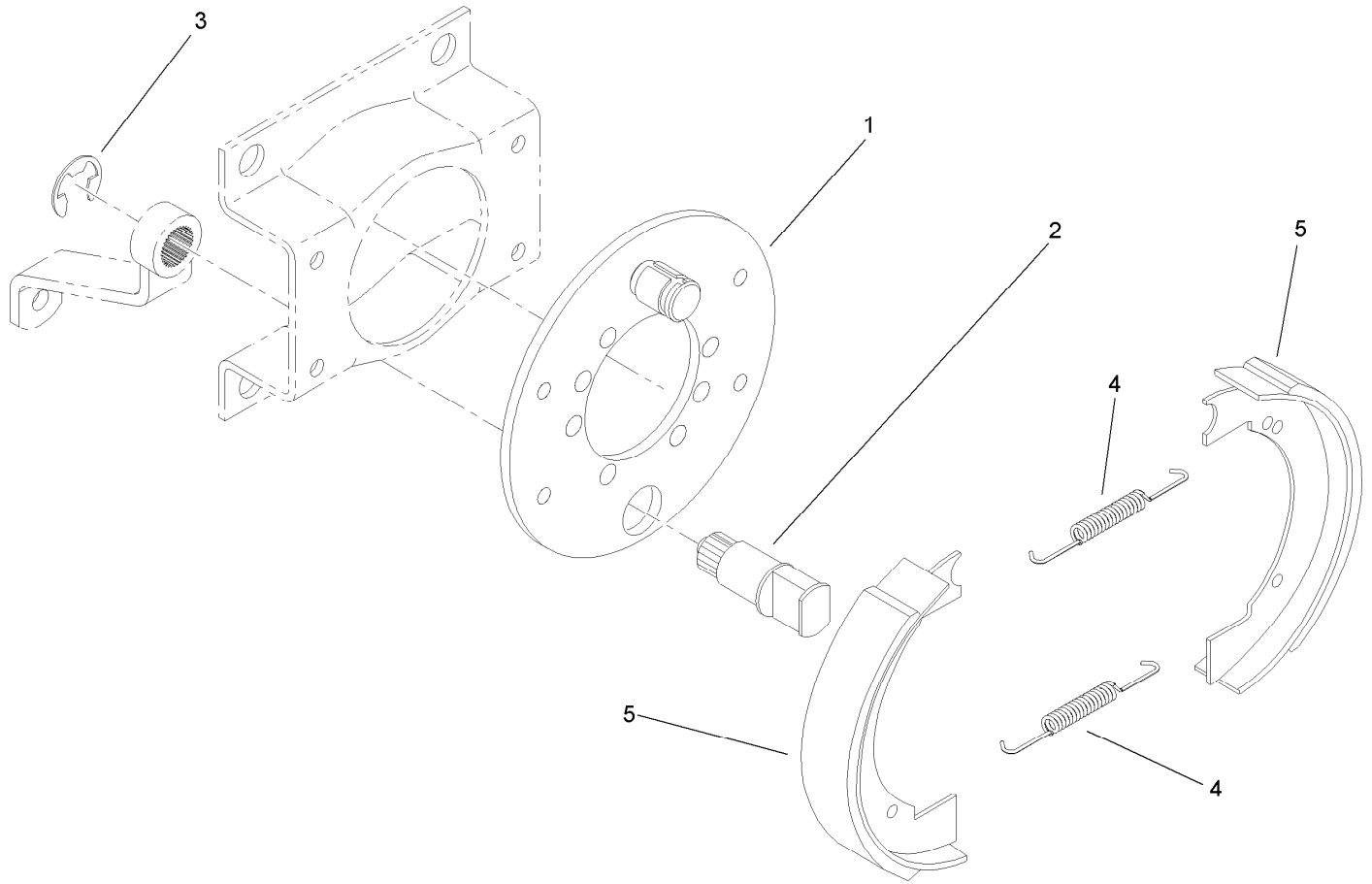
| <i>Ref.</i> | <i>Part Number</i> | <i>Qty.</i> | <i>Description</i> |
|-------------|--------------------|-------------|--------------------|
| 2 | 237-42 | 2 | O-Ring |
| 3 | 22-8330 | 2 | Plug |
| 4 | 22-8340 | 2 | Spring |
| 5 | 22-8350 | 2 | Ball |
| 6 | 22-8360 | 2 | Pin |
| 7 | 22-8370 | 2 | Seat-Valve |
| 8 | 22-8380 | 1 | Retainer |
| 9 | 22-8490 | 1 | Ring-Snap |
| 10 | 22-8480 | 1 | Ring-Snap |
| 11 | 22-8390 | 1 | Retainer |
| 12 | 22-8400 | 1 | Spacer |
| 13 | 22-8410 | 1 | Spring |
| 14 | 22-8420 | 1 | Spool |
| 15 | 22-8500 | 2 | O-Ring |



Brake Installation Assembly

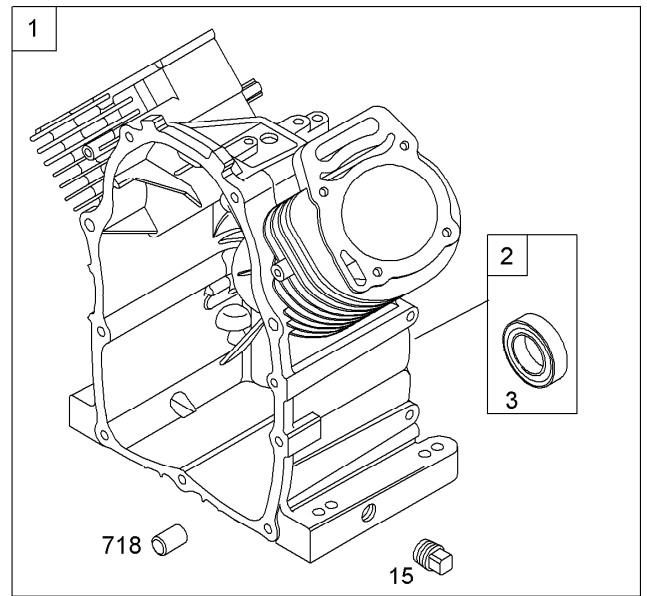
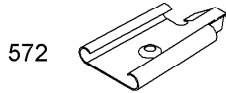
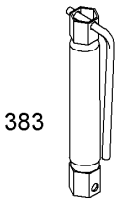
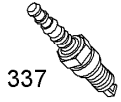
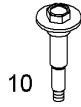
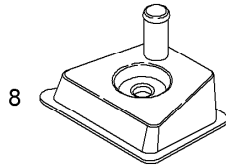
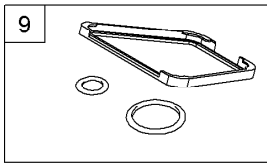
| Ref. | Part Number | Qty. | Description | Ref. | Part Number | Qty. | Description |
|------|-------------|------|------------------------|------|-------------|------|--------------------|
| 1 | 3217-9 | 4 | Nut-HH | 12 | 26-3790 | 2 | Nut-Lock |
| 2 | 3253-7 | 8 | Washer-Lock | 13 | 283-1 | 2 | Pin-Clevis |
| 3 | 3296-42 | 8 | Nut-Lock, NI | 14 | 282-2 | 2 | Yoke |
| 4 | 84-2000-03 | 2 | Bracket-Brake | 15 | 3220-2 | 2 | Nut-Jam |
| 5 | 325-14 | 8 | Screw-HH | 16 | 84-1990 | 2 | Rod-Adjusting |
| 6 | 104-7705 | 2 | Brake ASM | 17 | 3272-10 | 2 | Pin-Cotter |
| 7 | 114-2726 | 2 | Lever-Brake | 19 | 92-1715 | 8 | Spacer |
| 8 | 321-4 | 8 | Screw-HH | 20 | 83-9310 | 2 | RH Brake Lever ASM |
| 9 | 17-8149 | 2 | Wheel Hub ASM | 21 | 3272-6 | 3 | Pin-Cotter |
| 9:1 | 85-6540 | 4 | Stud-Drive | 22 | 3234-1 | 4 | Screw-HHF |
| 9:2 | 93-6838-03 | 1 | Hub-Wheel | 23 | 27-2320 | 2 | Bearing |
| 9:3 | 10-6850 | 1 | Drum-Brake | 24 | 3256-24 | 4 | Washer-Flat |
| 10 | | 2 | Wheel And Tire ASM ● | 25 | 3296-59 | 4 | Nut-Lock, NI |
| 10:1 | 232-35 | 1 | Valve Stem And Cap ASM | 26 | 32121-6 | 4 | Pin-Roll, Slotted |
| 10:2 | 85-8290 | 1 | Tire-2Ply, Knobby | 27 | 95-0625 | 1 | Rod-Traverse |
| 10:3 | 94-6116 | 1 | Wheel-Rear | 28 | 95-0628 | 1 | Rod-Brake |
| 11 | 242-50 | 8 | Nut-Lug | | | | |

● Not serviced separately



Brake Assembly No. 104-7705

| <i>Ref.</i> | <i>Part Number</i> | <i>Qty.</i> | <i>Description</i> |
|-------------|--------------------|-------------|--------------------|
| 1 | 70-9870 | 1 | Plate-Backing |
| 2 | 104-7707 | 1 | Shaft-Cam, Brake |
| 3 | 104-7706 | 1 | E-Ring, Bowed |
| 4 | 70-9880 | 2 | Spring-Return |
| 5 | 70-9840 | 2 | Shoe-Brake |



1058 OPERATOR MANUAL

1330 REPAIR MANUAL

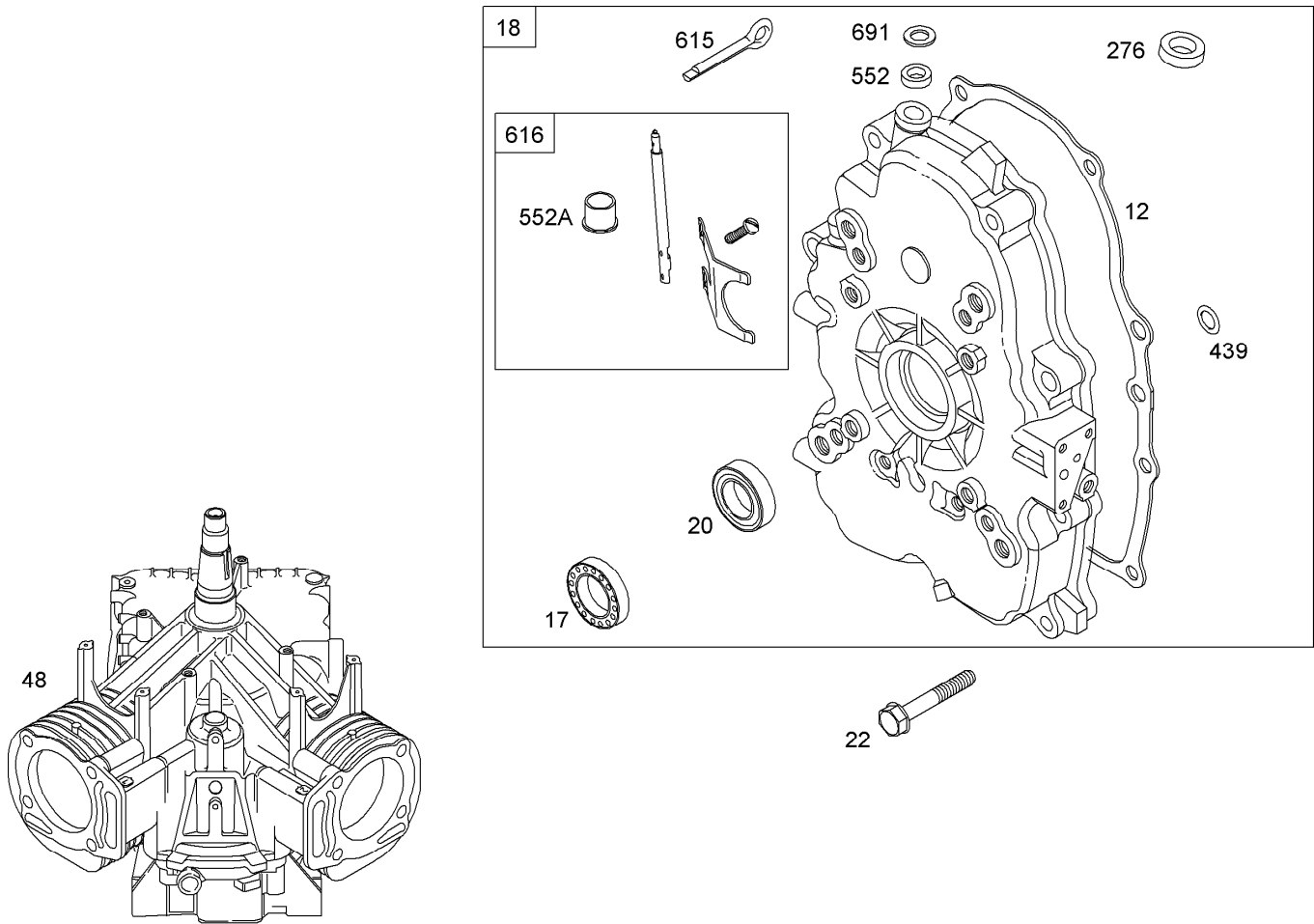
Assemblies include all parts shown in frames

Cylinder Assembly Briggs and Stratton 305447-0203-E1

| Ref. | Part Number | Qty. | Description |
|------|-------------|------|-----------------------------------|
| 1 | 692178 | 1 | Cylinder ASM ● |
| 2 | 808534 | 1 | Bushing-Seal Kit (Magneto Side) ● |
| 3 | 805101S | 1 | Seal-Oil (Magneto Side) ●■ |
| 8 | 808984 | 1 | Breather ASM ● |
| 9 | 809094 | 1 | Gasket-Breather ●■ |
| 10 | 690751 | 1 | Screw (Breather Asm) ● |
| 15 | 690946 | 1 | Plug-Drain, Oil ● |
| 337 | 496018S | 1 | Spark Plug ● |
| 383 | 19374s | 1 | Wrench-Spark Plug ● |
| 572 | 690686 | 1 | Baffle-Breather ● |
| 635 | 692076 | 1 | Boot-Spark Plug ● |
| 718 | 806469 | 1 | Pin-Locating ● |
| 1058 | 276343 | 1 | Operator Manual ● |
| 1330 | 272144 | 1 | Repair Manual ● |

● Obtain parts from www.briggsandstratton.com

■ Included in Engine Gasket Set (Ref. No. 358)



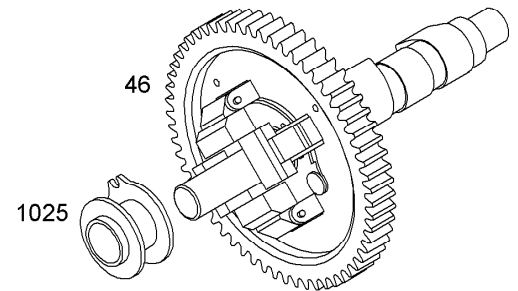
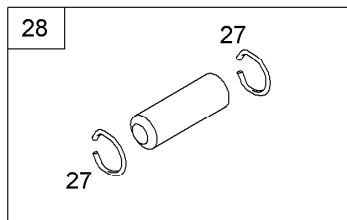
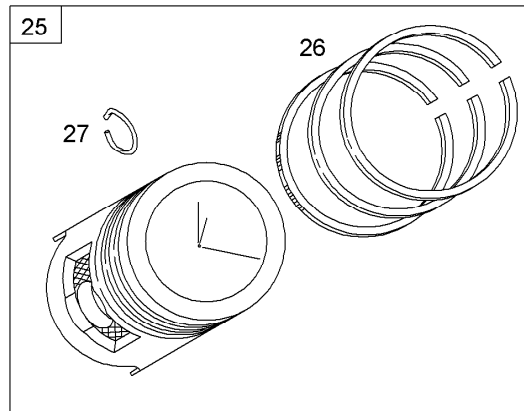
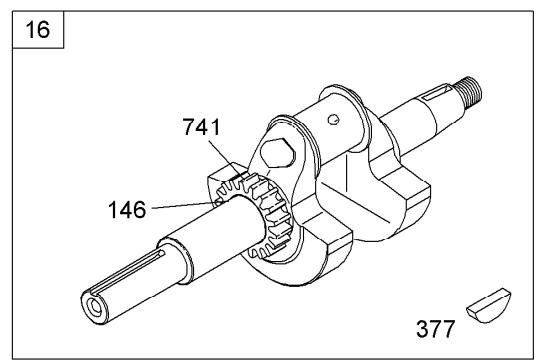
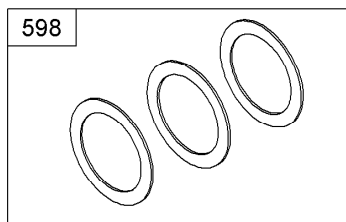
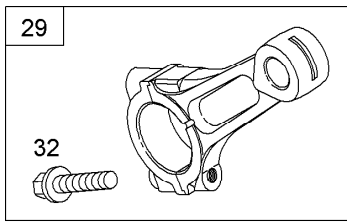
Assemblies include all parts shown in frames

Crankcase Assembly Briggs and Stratton 305447-0203-E1

| Ref. | Part Number | Qty. | Description |
|------|-------------|------|----------------------------------|
| 12 | 842589 | 1 | Gasket-Crankcase ●■ |
| 17 | 690752 | 1 | Bearing-Ball ● |
| 18 | 808847 | 1 | Cover-Crankcase ● |
| 20 | 805049S | 1 | Seal-Oil (PTO Side) ●■ |
| 22 | 807362 | 1 | Screw (Crankcase Cover) ● |
| 48 | | 1 | Block-Short (Not Available) ● |
| 276 | 690704 | 1 | Washer-Sealing ● |
| 439 | 692154 | 1 | Seal-O Ring (Crankcase Cover) ●■ |
| 552 | 690701 | 1 | Bushing-Crank, Governor ● |
| 552A | 806686 | 1 | Bushing-Crank, Governor ● |
| 615 | 691550 | 1 | Retainer-Shaft, Governor ● |
| 616 | 806685 | 1 | Crank-Governor ● |
| 691 | 690680 | 1 | Seal-Shaft, Governor ●■ |

● Obtain parts from www.briggsandstratton.com

■ Included in Engine Gasket Set (Ref. No. 358)

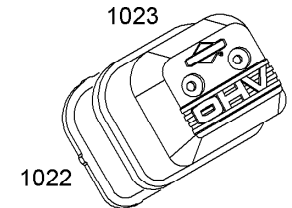
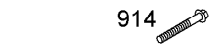
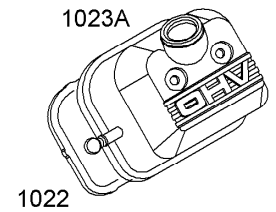
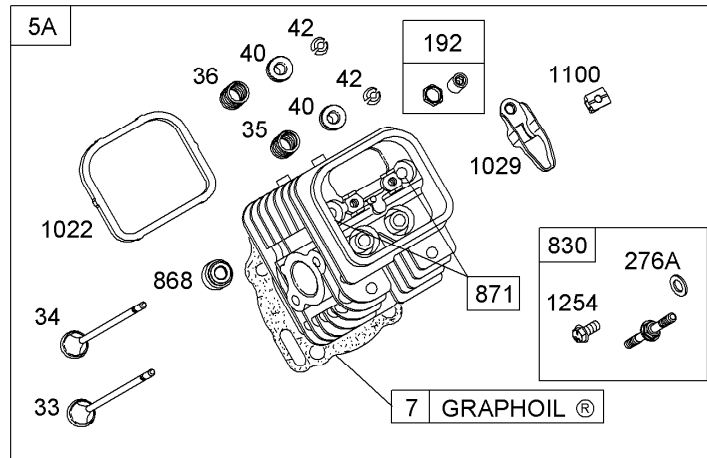
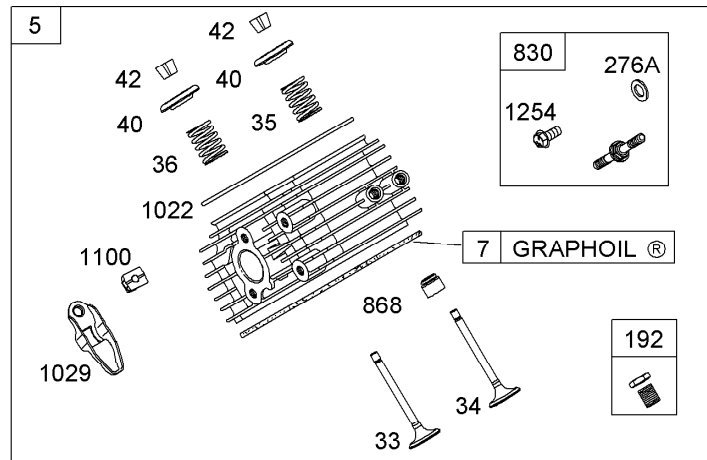
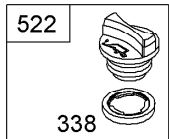
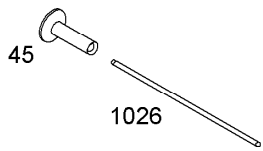


Assemblies include all parts shown in frames

Crankshaft Assembly Briggs and Stratton 305447-0203-E1

| Ref. | Part Number | Qty. | Description |
|------|-------------|------|-----------------------------------|
| 16 | 692168 | 1 | Crankshaft ● |
| 25 | 807619 | 1 | Piston ASM (Standard) ● |
| 25 | 807809 | 1 | Piston ASM (.020 Oversize) ● |
| 26 | 807620 | 1 | Ring Set (Standard) ● |
| 26 | 807810 | 1 | Ring Set (.020 Oversize) ● |
| 27 | 690683 | 1 | Lock-Pin, Piston ● |
| 28 | 807621 | 1 | Pin-Piston ● |
| 29 | 807900S | 1 | Rod-Connecting (Std) ● |
| 29 | 807803 | 1 | Rod-Connecting (.020 Undersize) ● |
| 32 | 690698 | 1 | Screw (Connecting Rod) ● |
| 46 | 691557 | 1 | Camshaft ● |
| 146 | 691639 | 1 | Key-Timing ● |
| 357 | 691483 | 1 | Key pulley , Drive ● |
| 377 | 808095 | 1 | Key-Woodruff ● |
| 598 | 807625 | 1 | Shim-Play, End ● |
| 741 | 691530 | 1 | Gear-Timing ● |
| 1025 | 690689 | 1 | Spool-Governor ● |

● Obtain parts from www.briggsandstratton.com



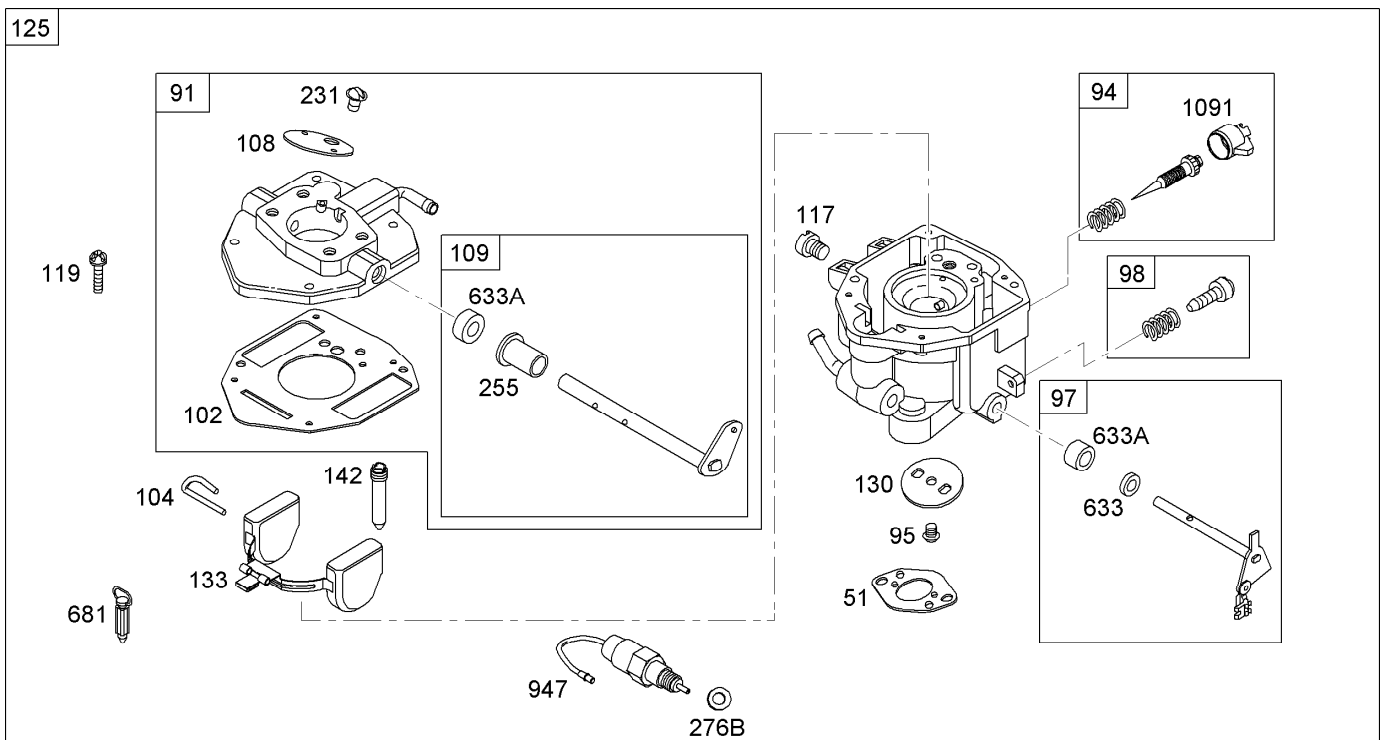
Assemblies include all parts shown in frames

Cylinder Head Assembly Briggs and Stratton 305447-0203-E1

| Ref. | Part Number | Qty. | Description | Ref. | Part Number | Qty. | Description |
|------|-------------|------|---------------------------------------|-------|-------------|------|---------------------------|
| 5 | 809200 | 1 | Head-Cylinder (Cylinder 1) ● | 338 | 691312 | 1 | Seal-O Ring ■▲● |
| 5A | 809201 | 1 | Head-Cylinder (Cylinder 2) ● | 522 | 491832 | 1 | Plug-Fill, Dipstick ● |
| 7 | 806085 | 1 | Gasket-Head, Cylinder ●■▲ | 830 | 809157 | 1 | Stud-Arm, Rocker ● |
| 13 | 692059 | 1 | Screw (Cylinder Head) ● | 868 | 691963 | 1 | Seal-Valve ■▲● |
| 33 | 807681 | 1 | Valve-Exhaust ● | 871 | 692057 | 1 | Bushing-Guide, Valve ● |
| 34 | 807680 | 1 | Valve-Intake ● | 914 | 807120 | 1 | Screw (Rocker Cover) ● |
| 35 | 692084 | 1 | Spring-Valve (Intake) ● | 1022 | 806039S | 1 | Gasket-Cover, Rocker ■▲●● |
| 36 | 692084 | 1 | Spring-Valve (Exhaust) ● | 1023 | 691494 | 1 | Cover-Valve ● |
| 40 | 692058 | 1 | Retainer-Valve ● | 1023A | 690910 | 1 | Cover-Valve ● |
| 42 | 807683 | 1 | Keeper-Valve ● | 1026 | 691836 | 1 | Rod-Push (Intake) ● |
| 45 | 843379 | 1 | Tappet-Valve ● | 1026 | 691758 | 1 | Rod-Push (Exhaust) ● |
| 192 | 807623 | 1 | Adjuster-Arm, Rocker ● | 1029 | 807323 | 1 | Arm-Rocker ● |
| 276A | 807085 | 1 | Washer-Sealing (Head)(Rocker Cover) ■ | 1100 | 791959 | 1 | Pivot-Arm, Rocker ● |
| | | | ▲● | 1254 | 807084 | 1 | Screw (Rocker Arm Stud) ● |

● Obtain parts from www.briggsandstratton.com
▲ Included in Valve Gasket Set (Ref. No. 1095)

■ Included in Engine Gasket Set (Ref. No. 358)



Assemblies include all parts shown in frames

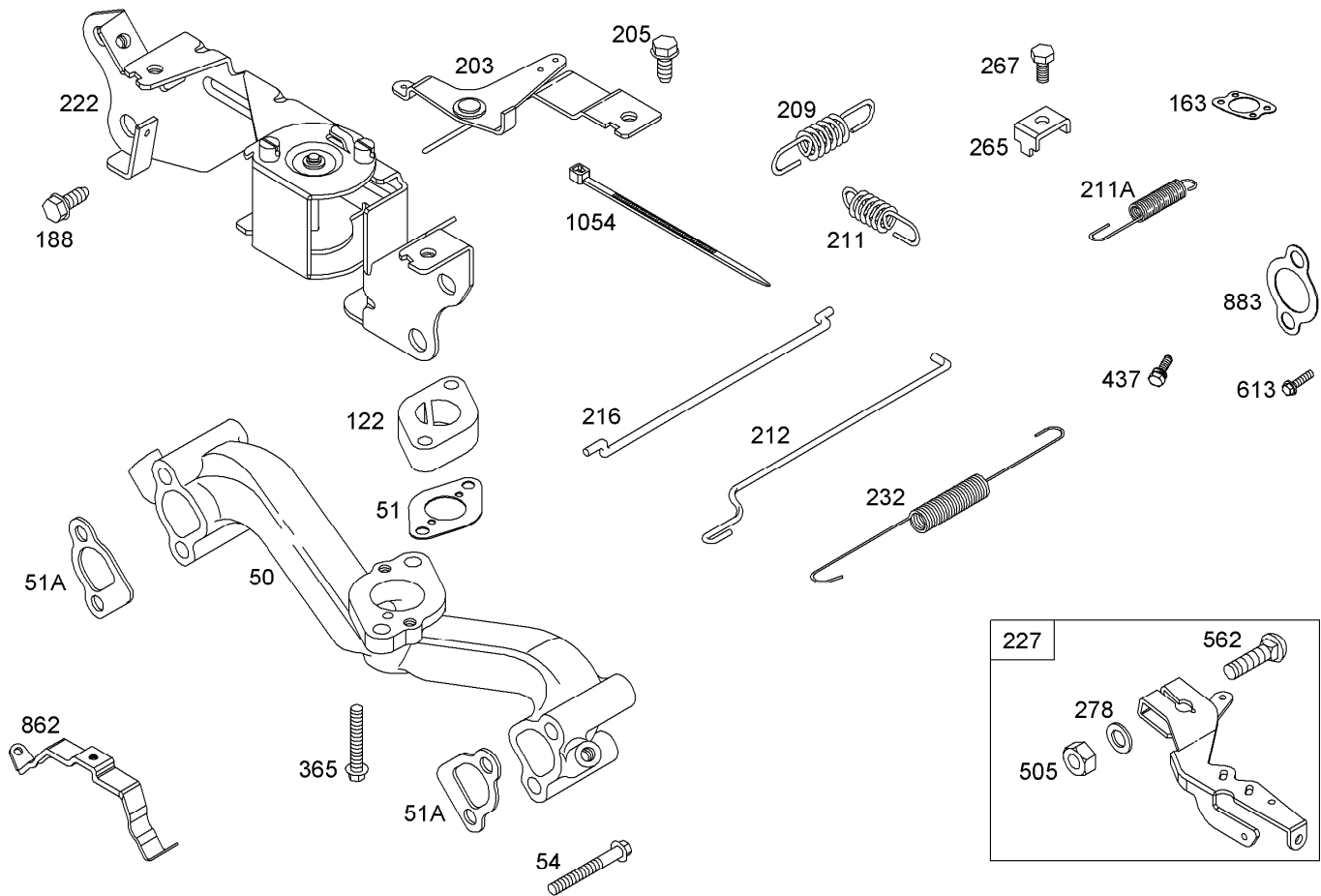
Carburetor Assembly Briggs and Stratton 305447-0203-E1

| Ref. | Part Number | Qty. | Description |
|------|-------------|------|-------------------------------|
| 51 | 691694 | 1 | Gasket-Intake ■● |
| 91 | 807919 | 1 | Body-Carburetor, Upper ● |
| 94 | 842870 | 1 | Idle Mixture Kit ▲● |
| 95 | 690718 | 1 | Screw (Throttle Valve) ● |
| 97 | 809007 | 1 | Shaft-Throttle ● |
| 98 | 808177 | 1 | Idle Speed Kit ● |
| 102 | 692077 | 1 | Gasket-Body, Carburetor ▲● |
| 104 | 690723 | 1 | Pin-Hinge, Float ▲● |
| 108 | 690719 | 1 | Valve-Choke ● |
| 109 | 807722 | 1 | Shaft-Choke ● |
| 117 | 690862 | 1 | Jet-Main (Std) ▲● |
| 119 | 690720 | 1 | Screw (Upper To Lower Body) ● |
| 125 | 809011 | 1 | Carburetor ● |
| 130 | 690726 | 1 | Valve-Throttle ● |
| 133 | 843320 | 1 | Float-Carburetor ● |
| 142 | 690725 | 1 | Nozzle-Carburetor ● |
| 231 | 690718 | 1 | Screw (Choke Valve) ● |
| 255 | 690721 | 1 | Bushing-Shaft, Choke ▲● |
| 276B | 806137 | 1 | Washer-Sealing ● |
| 633 | 806131 | 1 | Seal-Shaft, Choke Throttle ▲● |
| 633A | 690722 | 1 | Seal-Shaft, Choke Throttle ●▲ |
| 681 | 808798 | 1 | Valve-Needle, Float ●▲ |
| 947 | 692094 | 1 | Solenoid-Fuel ● |
| 1091 | 691516 | 1 | Cap-Limiter ▲● |

● Obtain parts from www.briggsandstratton.com

▲ Included in Carburetor Overhaul Kit (Ref. No. 121)

■ Included in Engine Gasket Set (Ref. No. 358)



Assemblies include all parts shown in frames

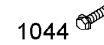
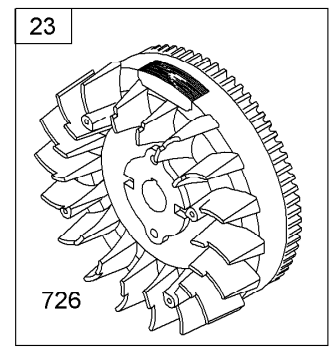
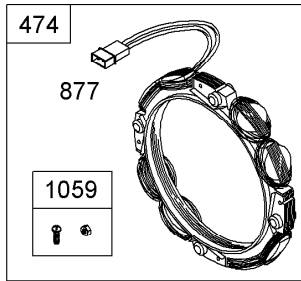
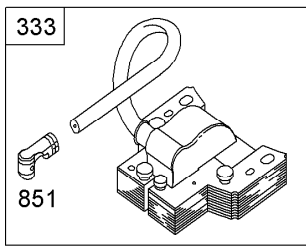
Governor Assembly Briggs and Stratton 305447-0203-E1

| Ref. | Part Number | Qty. | Description |
|------|-------------|------|-------------------------------------|
| 50 | 690754 | 1 | Manifold-Intake ● |
| 51 | 691694 | 1 | Gasket-Intake ●■ |
| 51A | 692035 | 1 | Gasket-Intake ●■▲ |
| 54 | 690676 | 1 | Screw (Intake Manifold) ● |
| 122 | 690691 | 1 | Spacer-Carburetor ● |
| 163 | 692081 | 1 | Gasket-Cleaner, Air ● |
| 188 | 692056 | 1 | Screw (Control Bracket) ● |
| 203 | 690923 | 1 | Crank-Bell ● |
| 205 | 692083 | 1 | Screw (Bell Crank) ● |
| 209 | 691508 | 1 | Spring-Governor ● |
| 211 | 692069 | 1 | Spring-Idle, Governed ● |
| 211A | 692068 | 1 | Spring-Idle, Governed (Secondary) ● |
| 212 | 690712 | 1 | Link-Throttle ● |
| 216 | 690705 | 1 | Link-Choke ● |
| 222 | 808454 | 1 | Bracket-Control ● |
| 227 | 690236 | 1 | Lever-Control, Governor ● |

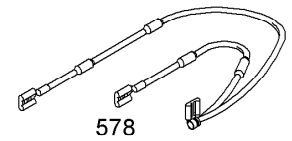
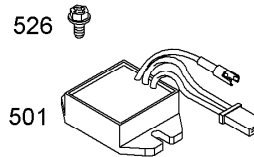
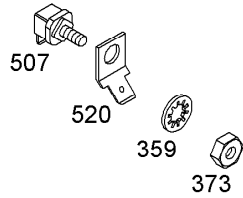
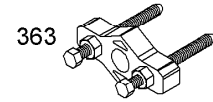
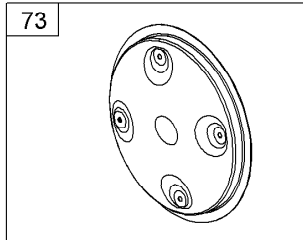
| Ref. | Part Number | Qty. | Description |
|------|-------------|------|------------------------------------|
| 232 | 692073 | 1 | Spring-Link, Governor ● |
| 265 | 691024 | 1 | Clamp-Casing ● |
| 267 | 841552 | 1 | Screw (Casing Clamp) ● |
| 278 | 842122 | 1 | Washer (Governor Control Lever) ● |
| 365 | 690711 | 1 | Screw (Carburetor) ● |
| 437 | 691902 | 1 | Screw (Exhaust Manifold) ● |
| 505 | 690238 | 1 | Nut (Governor Control Lever) ● |
| 562 | 690239 | 1 | Bolt (Governor Control Lever) ● |
| 613 | 691902 | 1 | Screw (Muffler) ● |
| 862 | 692153 | 1 | Strap-Stud Mounting, Air Cleaner ● |
| 883 | 691613 | 1 | Gasket-Exhaust ■▲● |
| 1054 | 280275 | 1 | Tie-Cable ● |

● Obtain parts from www.briggsandstratton.com
▲ Included in Valve Gasket Set (Ref. No. 1095)

■ Included in Engine Gasket Set (Ref. No. 358)



1036 EMISSIONS LABEL

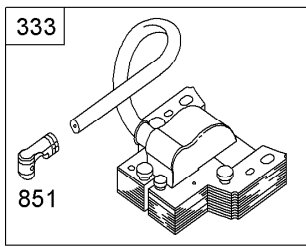


Assemblies include all parts shown in frames

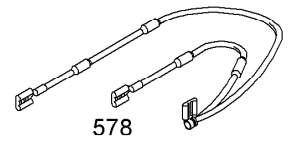
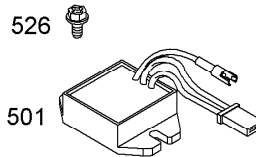
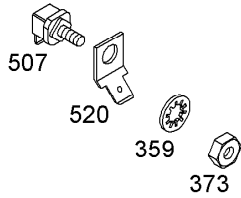
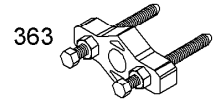
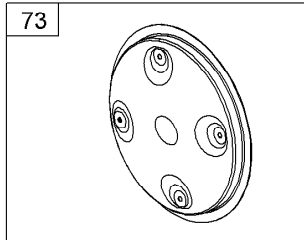
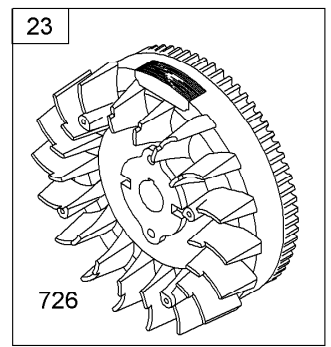
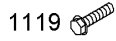
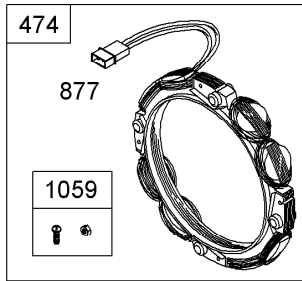
Flywheel Assembly Briggs and Stratton 305447-0203-E1

| Ref. | Part Number | Qty. | Description |
|------|-------------|------|--|
| 23 | 841825 | 1 | Flywheel ● |
| 73 | 841440 | 1 | Screen rotating ● |
| 74 | 841441 | 1 | Screw (Rotating Screen) ● |
| 332 | 690887 | 1 | Nut (Flywheel) ● |
| 333 | 492341 | 1 | Armature-Magneto ● |
| 334 | 692066 | 1 | Screw (Magneto Armature) ● |
| 359 | 691077 | 1 | Washer (Ground Terminal) ● |
| 363 | 19203 | 1 | Puller-Flywheel ● |
| 373 | 691612 | 1 | Nut (Ground Terminal) ● |
| 474 | 696458 | 1 | Alternator ● |
| 501 | 691185 | 1 | Regulator ● |
| 507 | 691972 | 1 | Insulator ● |
| 520 | 691084 | 1 | Terminal-Ground ● |
| 526 | 692067 | 1 | Screw (Regulator) ● |
| 529 | 690744 | 1 | Grommet ● |
| 578 | 692319 | 1 | Wire ASM ● |
| 726 | | 1 | Gear-Ring (See Reference 23 For Service) ● |
| 729 | 690586 | 1 | Clip-Wire ● |
| 851 | 493880s | 1 | Terminal-Spark Plug ● |
| 877 | 399916 | 1 | Connector-Wire, Alternator ● |
| 1036 | | 1 | Label-Emissions ● |
| 1044 | 692056 | 1 | Screw (Flywheel) ● |

● Obtain parts from www.briggsandstratton.com



1036 EMISSIONS LABEL

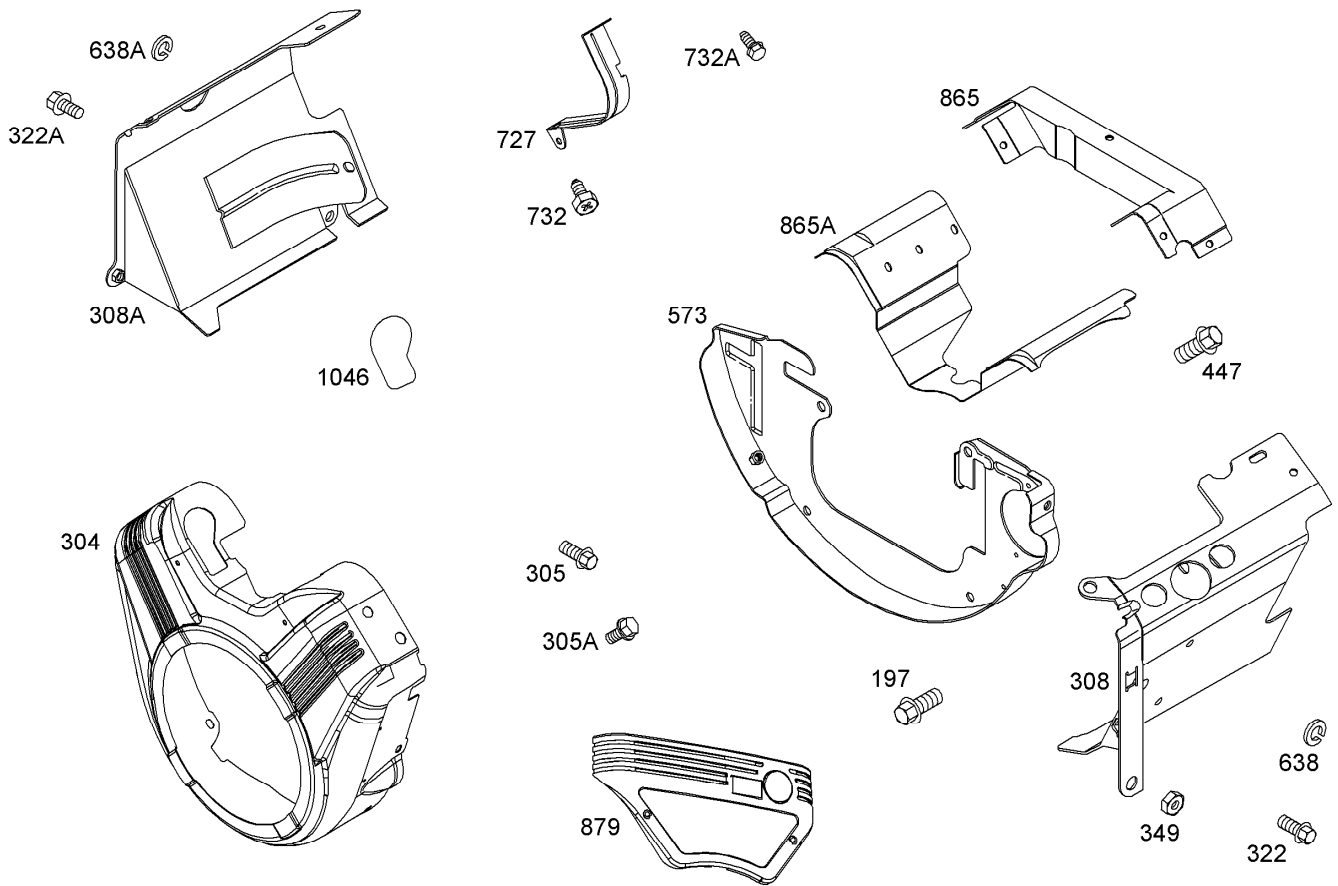


Assemblies include all parts shown in frames

Flywheel Assembly Briggs and Stratton 305447-0203-E1 (continued)

| Ref. | Part Number | Qty. | Description |
|------|-------------|------|------------------------|
| 1059 | 698516 | 1 | Screw And Washer Kit ● |
| 1119 | 691552 | 1 | Screw (Alternator) ● |

● Obtain parts from www.briggsandstratton.com

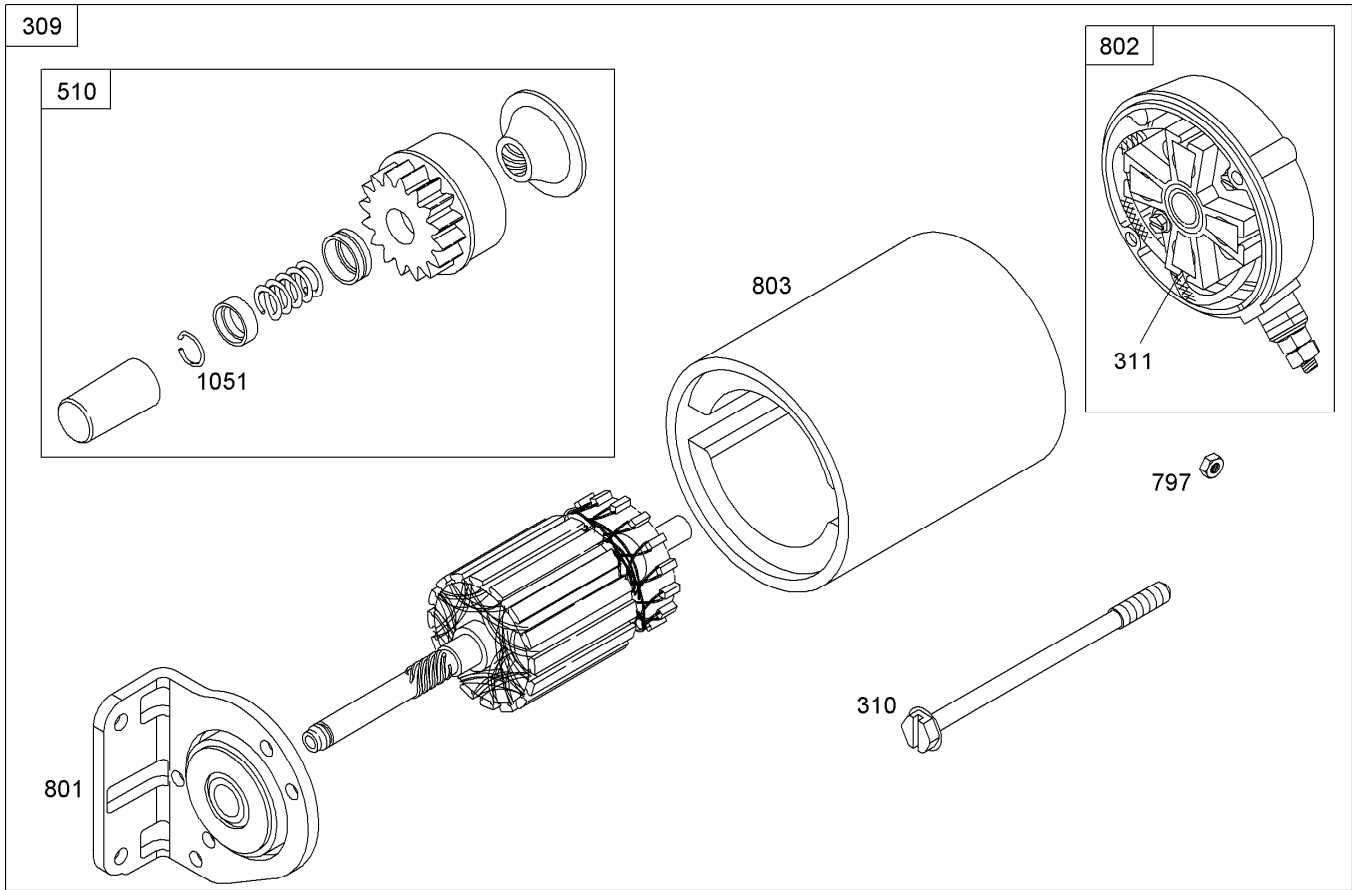


Assemblies include all parts shown in frames

Blower Housing Assembly Briggs and Stratton 305447-0203-E1

| Ref. | Part Number | Qty. | Description |
|------|-------------|------|-------------------------------------|
| 197 | 807163 | 1 | Screw (Back Plate) ● |
| 304 | 842680 | 1 | Housing-Blower ● |
| 305 | 841233 | 1 | Screw (Blower Housing) ● |
| 305A | 692062 | 1 | Screw (Blower Housing) ● |
| 308 | 841317 | 1 | Cover-Head, Cylinder (Cylinder 1) ● |
| 308A | 841316 | 1 | Cover-Head, Cylinder (Cylinder 2) ● |
| 322 | 841233 | 1 | Screw (Cylinder Head Cover) ● |
| 322A | 692067 | 1 | Screw (Cylinder Head Cover) ● |
| 349 | 690238 | 1 | Nut (Cylinder Head Cover) ● |
| 447 | 841233 | 1 | Screw (Air Guide Cover) ● |
| 573 | 841310 | 1 | Plate back ● |
| 638 | 690706 | 1 | Washer (Cylinder Head Cover) ● |
| 638A | 691551 | 1 | Washer (Cylinder Head Cover) ● |
| 727 | 841313 | 1 | Cover drive, Starter ● |
| 732 | 690688 | 1 | Screw (Starter Drive Cover) ● |
| 732A | 841233 | 1 | Screw (Starter Drive Cover) ● |
| 865 | 841319 | 1 | Cover-Guide, Air ● |
| 865A | 807119 | 1 | Cover-Guide, Air ● |
| 879 | 807460 | 1 | Cover-Carburetor ● |
| 1046 | 843068 | 1 | Plug-Housing, Blower ● |

● Obtain parts from www.briggsandstratton.com



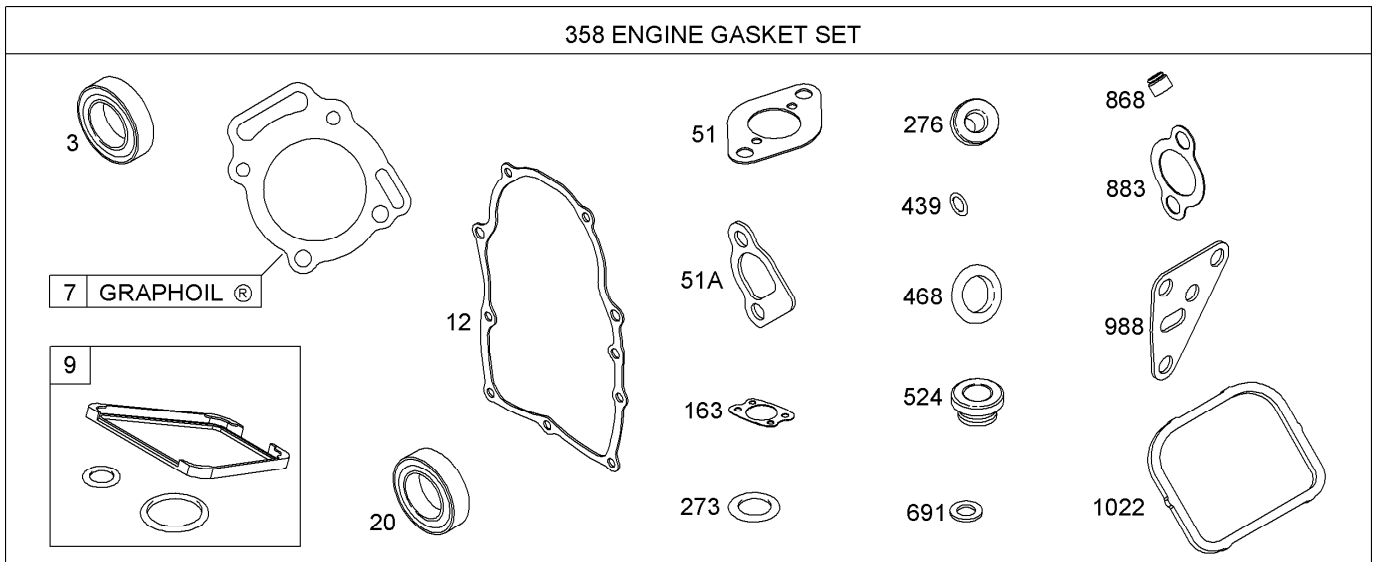
Assemblies include all parts shown in frames

Starter Assembly Briggs and Stratton 305447-0203-E1

| <i>Ref.</i> | <i>Part Number</i> | <i>Qty.</i> | <i>Description</i> |
|-------------|--------------------|-------------|------------------------|
| 309 | 691564 | 1 | Motor-Starter ● |
| 310 | 496880 | 1 | Bolt (Starter Motor) ● |
| 311 | 496887 | 1 | Brush Set ● |
| 510 | 496881 | 1 | Drive-Starter ● |
| 697 | 692062 | 1 | Screw (Drive Cap) ● |
| 797 | 691029 | 1 | Nut (Brush Retainer) ● |
| 801 | 808778 | 1 | Cap-Drive ● |
| 802 | 496813 | 1 | Cap-End ● |
| 803 | 690854 | 1 | Housing-Starter ● |
| 1051 | 691124 | 1 | Ring-Lock ● |

● Obtain parts from www.briggsandstratton.com

358 ENGINE GASKET SET



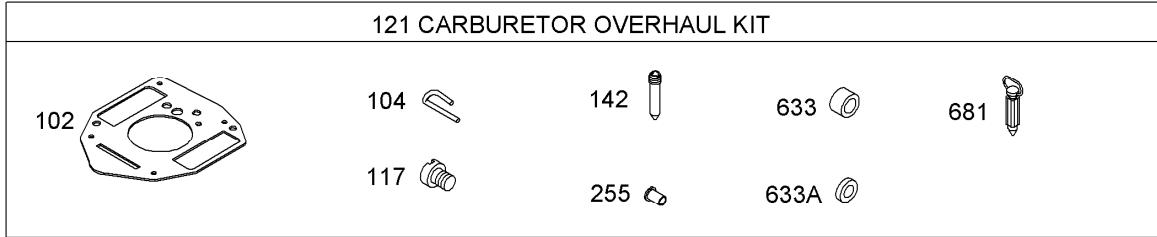
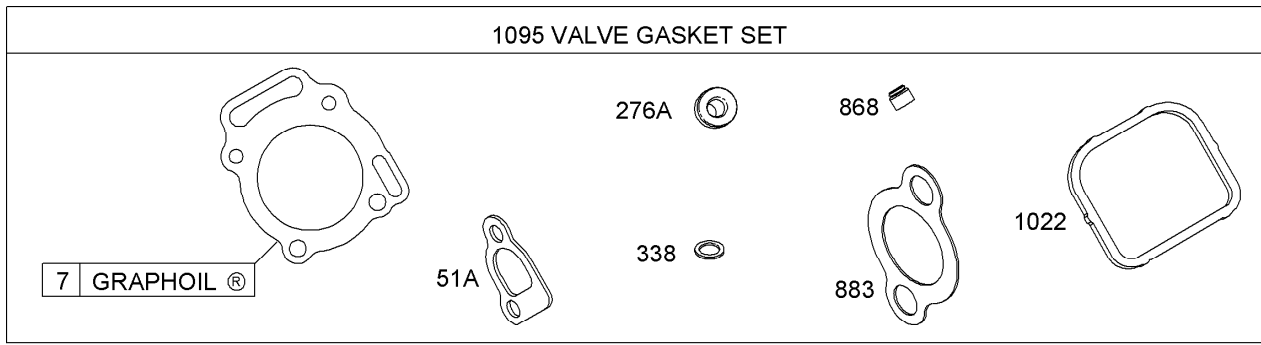
Assemblies include all parts shown in frames

358 Engine Gasket Set Briggs and Stratton 305447-0203-E1

| Ref. | Part Number | Qty. | Description |
|------|-------------|------|----------------------------------|
| 3 | 805101S | 1 | Seal-Oil (Magneto Side) ■● |
| 7 | 806085S | 1 | Gasket-Head, Cylinder ■▲● |
| 9 | 809094 | 1 | Gasket-Breather ■● |
| 12 | 842589 | 1 | Gasket-Crankcase ■● |
| 20 | 805049S | 1 | Seal-Oil (PTO Side) ■● |
| 51 | 691694 | 1 | Gasket-Intake ■● |
| 51A | 692035 | 1 | Gasket-Intake ■▲● |
| 163 | 692081 | 1 | Gasket-Cleaner, Air ■● |
| 273 | 690681 | 1 | Seal-O Ring (Oil Pump) ■● |
| 276 | 690724 | 1 | Washer-Sealing ●■ |
| 358 | 841188 | 1 | Engine Gasket Set ● |
| 439 | 692154 | 1 | Seal-O Ring (Crankcase Cover) ■● |
| 468 | 690690 | 1 | Seal-O Ring (Oil Pump Screen) ■● |
| 524 | 693172 | 1 | Seal-Tube, Dipstick ●■ |
| 691 | 690680 | 1 | Seal-Shaft, Governor ●■ |
| 868 | 691963 | 1 | Seal-Valve ●▲■ |
| 883 | 691613 | 1 | Gasket-Exhaust ▲●■ |
| 988 | 692063 | 1 | Gasket-Adapter, Oil Filter ●■ |
| 1022 | 806039S | 1 | Gasket-Cover, Rocker ●▲■ |

● Obtain parts from www.briggsandstratton.com
▲ Included in Valve Gasket Set (Ref. No. 1095)

■ Included in Engine Gasket Set (Ref. No. 358)



Assemblies include all parts shown in frames

1095 Valve Gasket Set and 121 Carburetor Overhaul Kit Briggs and Stratton 305447-0203-E1

| Ref. | Part Number | Qty. | Description |
|------|-------------|------|-------------------------------|
| 7 | 806085 | 1 | Gasket-Head, Cylinder ■▲● |
| 51A | 692035 | 1 | Gasket-Intake ■▲● |
| 102 | 692077 | 1 | Gasket-Body, Carburetor ●◆ |
| 104 | 690723 | 1 | Pin-Hinge, Float ●◆ |
| 117 | 690862 | 1 | Jet main ●◆ |
| 121 | 809021 | 1 | Carburetor Overhaul Kit ● |
| 142 | 690725 | 1 | Nozzle-Carburetor (Std) ●◆ |
| 255 | 690721 | 1 | Bushing-Shaft, Choke ●◆ |
| 276A | 807085 | 1 | Washer-Sealing ▲● |
| 338 | 691312 | 1 | Seal-O Ring ■▲● |
| 633 | 806131 | 1 | Seal-Shaft, Choke Throttle ●◆ |
| 633A | 690722 | 1 | Seal-Shaft, Choke Throttle ●◆ |
| 681 | 808798 | 1 | Valve-Needle, Float ●◆ |
| 868 | 691963 | 1 | Seal-Valve ▲●■ |
| 883 | 691613 | 1 | Gasket-Exhaust ■▲● |
| 1022 | 806039 | 1 | Gasket-Cover, Rocker ●■▲ |
| 1095 | 842723 | 1 | Valve Gasket Set ● |

● Obtain parts from www.briggsandstratton.com
▲ Included in Valve Gasket Set (Ref. No. 1095)

■ Included in Engine Gasket Set (Ref. No. 358)
◆ Included in Carburetor Overhaul Kit (Ref. No. 121)

Attachments and Accessories

For 08884 Sand Pro 2020 Traction Unit

| Product Name | Model/Part |
|---|-------------------|
| Rake-Tooth | 08812 |
| Rake-Spring..... | 08813 |
| Mounting Kit..... | 08814 |
| Weeder / Cultivator | 08815 |
| Front Blade Kit | 08821 |
| Drag Mat Kit..... | 08850 |
| Spiker | 08856 |
| Cyclone 1000 Debris Blower..... | 08857 |
| Debris Blower Installation Kit | 08858 |
| Chute-Discharge..... | 08860 |
| Finish Grader | 08867 |
| Red Gas Cap | 107-2173 |
| Yellow Hydraulic Fluid Cap (Tethered) | 107-2174 |
| Sand Blade 240 | 44900 |
| Bar-Draw | 92-2330 |
| Screen-Arrestor, Spark..... | 95-5819 |
| CE Update Kit..... | 95-5832 |

Notes:



Count on it.