



Count on it.

Parts Catalog

Sand Pro® 2020 Traction Unit

Model No. 08884—Serial No. 290000001 and Up

Ordering Replacement Parts

To order replacement parts, please supply the part number, the quantity, and the description of each part desired.

Understanding Reference Numbers

Each identified part in an illustration has a reference number. The reference number for a part also appears in the parts list, along with other information about the part.

This catalog uses two special reference number formats, one to indicate parts in a service assembly and another to indicate the quantity of a given part in an illustration.

Service Assembly Reference Numbers

Parts in service assemblies have reference numbers in the form a:b. The a represents the reference number of the entire service assembly and the b represents a sequential number unique to each part within the service assembly.

For example, a wheel assembly might be identified by reference number 6, the tire by 6:1, the valve by 6:2, and the wheel by 6:3. When you order the assembly identified by reference number 6, you receive all parts identified by reference numbers 6:1, 6:2, and 6:3. However, you may also order any part individually. Reference numbers of this type appear in illustration and in parts lists.

Reference Numbers Indicating Quantity

In an illustration, if a reference number indicates more than one part, the reference number has the form nX y. The n represents the quantity of the part, the X is the multiplication symbol, and the y represents the reference number.

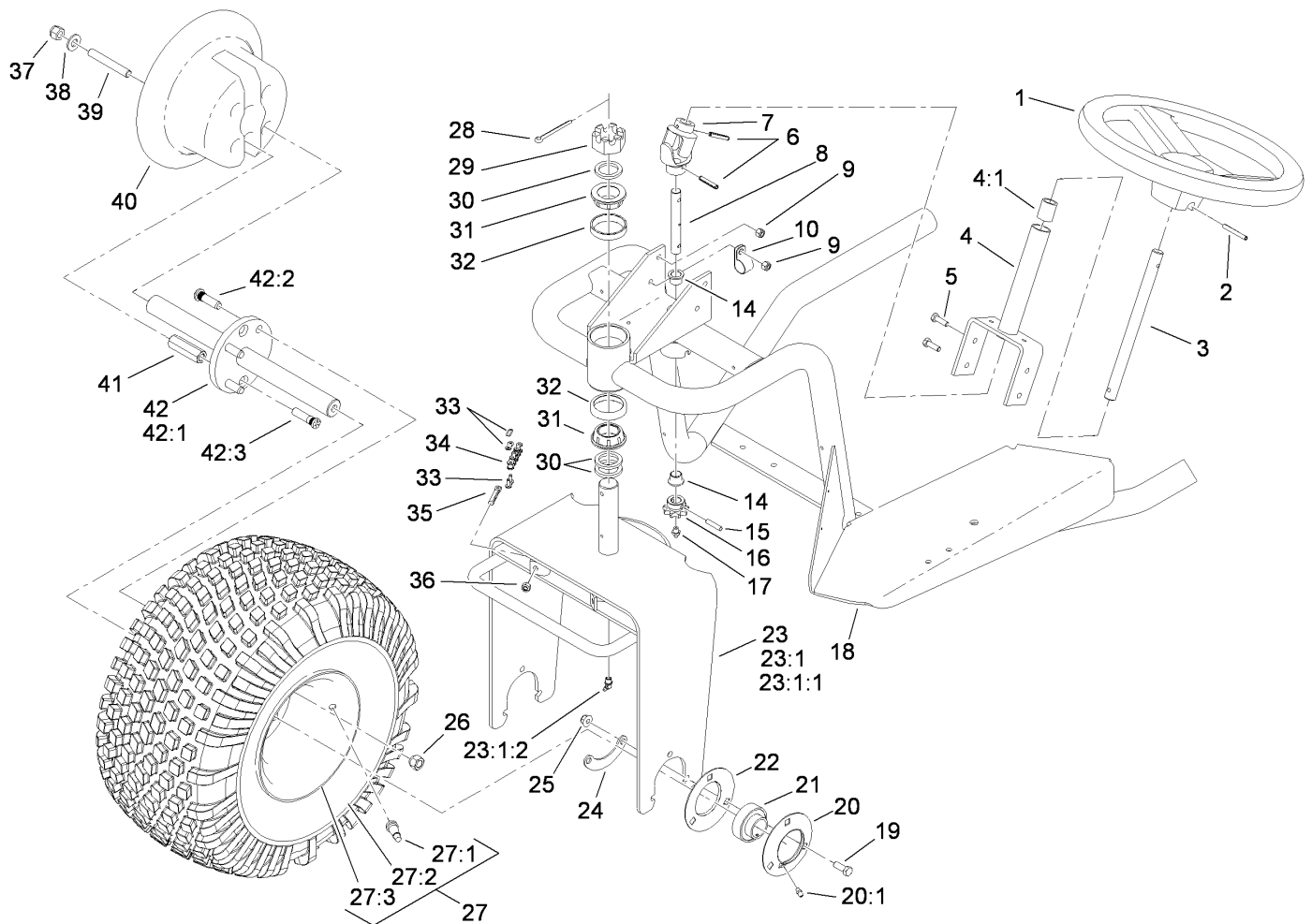
For example, in an illustration, the reference number 2X 37 means that two of the parts identified by reference number 37 are indicated.

List of Abbreviations

AR: as required	HOC: height-of-cut	RRB: rear roller brush
ASM: assembly	HSBH: hex socket button head	SFH: slotted fillister head
BBC: blade brake control	HSFH: hex socket flat head	SHH: slotted hex head
BHTF: button head thread forming	HSH: hex socket head	SHWH: slotted hex washer head
CARR: carriage	HWH: hex washer head	SPH: slotted pan head
CCW: counter clockwise	HWTF: hex washer head thread forming	SQH: square head
CW: clockwise	HYD: hydraulic	SRH: slotted round head
DEG: degrees	LH: left hand	STD: standard
DPA: Dual Point Adjustment	LP: Liquid Propane	TAP: self tapping
ECM: electronic control module	NI: nylon insert	TTH: torx truss head
EXT: external	NPTF: national pipe thread fine	
FH: flat head	PFH: phillips flat head	
GA: gauge	PPH: phillips pan head	
HD: heavy-duty	PPHTF: phillips pan head thread forming	
HF: hex flange	PRH: phillips round head	
HH: hex head	PTH: phillips truss head	
HHF: hex head flange	PTO: power-take-off	
HHFTF: hex head flange thread forming	RH: right hand	
HJ: hex jam	ROPS: roll-over protection system	
HLH: hex lag head		

Contents

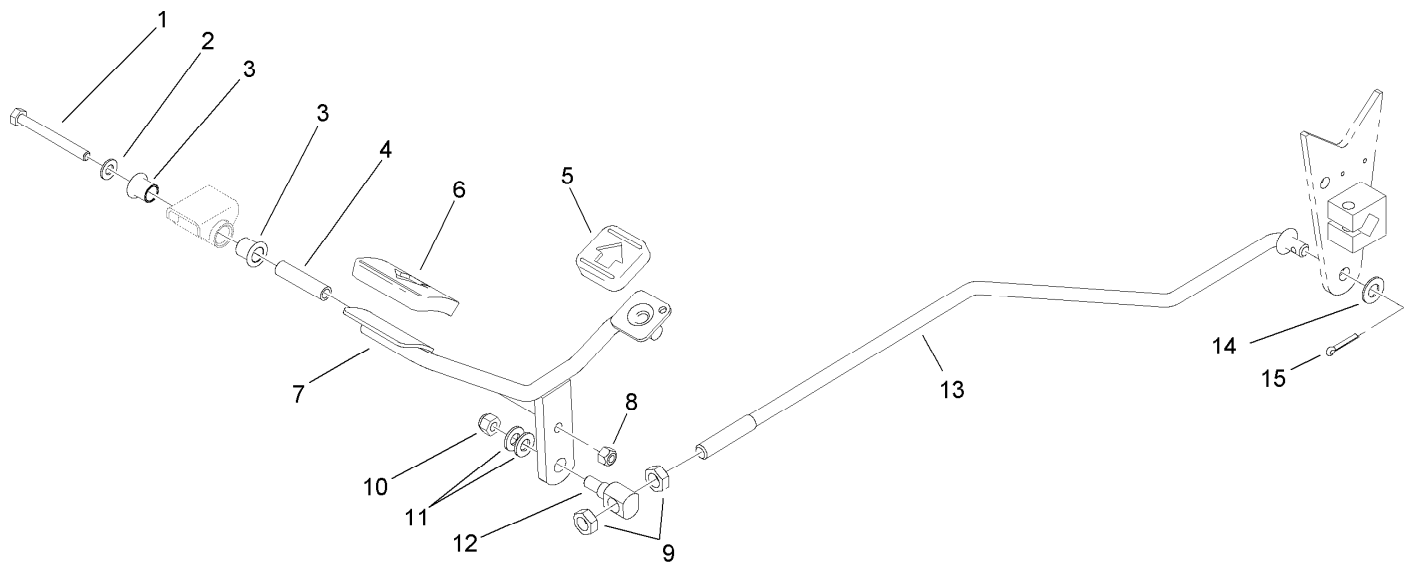
Front Wheel and Steering Assembly	4
Traction Pedal Assembly	5
Pump Control Lever Assembly	6
Hydraulic Pump Installation Assembly	7
Variable Hydraulic Piston Pump Assembly No. 114-0613	8
Rear Wheel Drive Assembly	10
Hydraulic Cylinder Assembly No. 114-0626	11
Hydraulic Motor Assembly No. 75-9831	12
Hydraulic Motor Assembly No. 75-9840	13
Seat Assembly	14
Fuel Tank Assembly	15
Engine Installation Assembly	16
Dash Panel Assembly	17
Shroud, Relay, Air Cleaner and Oil Cooler Assembly	18
Air Cleaner Assembly No. 95-5805	19
Hydraulic Oil Reservoir and Filter Assembly	20
Lift Valve Installation Assembly	21
Valve Assembly No. 43-1710	22
Brake Installation Assembly	23
Brake Assembly No. 104-7705	24
Attachments and Accessories	25



Front Wheel and Steering Assembly

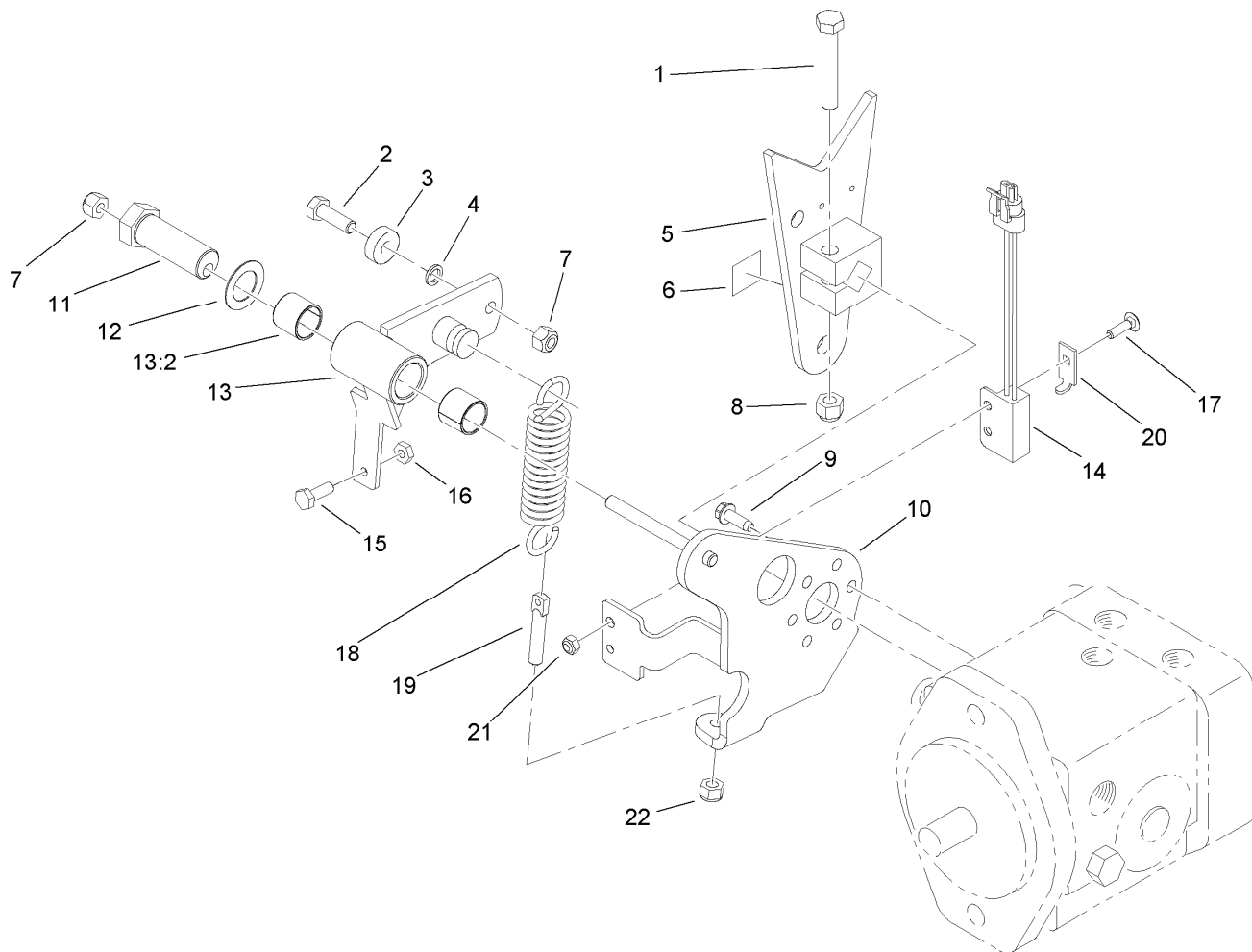
Ref.	Part Number	Qty.	Description	Ref.	Part Number	Qty.	Description
1	76-1420	1	Wheel-Steering	24	112-7671	2	Flange-Keeper
2	32121-111	1	Pin-Roll	25	104-8301	6	Nut-Flange, NI
3	85-6610	1	Shaft-Steering	26	242-50	4	Nut-Lug
4	92-5035	1	Steering Post ASM	27		1	Wheel And Tire ASM ●
4:1	256-185	1	Bushing	27:1	232-35	1	Valve Stem And Cap ASM
5	322-5	4	Screw-HH	27:2	85-8290	1	Tire-2Ply, Knobby
6	32121-15	2	Pin-Roll	27:3	94-6116	1	Wheel-Rear
7	85-9200	1	Knuckle-Steering	28	3272-37	1	Pin-Cotter
8	98-0928	1	Shaft-Steering, Lower	29	32136-9	1	Nut-Hex, Slotted
9	3296-29	4	Nut-Lock, NI	30	18-6320	3	Washer-Steering
10	2412-41	2	Clamp	31	254-70	2	Bearing-Cone
14	65-8770	2	Bushing-Bellcrank	32	254-61	2	Cup-Bearing
15	98-0973	1	Pin-Grooved	33	2710-11	2	Link-Chain
16	85-9180	1	Sprocket-Steering	34	92-5039	1	Chain-Steering
17	302-2	1	Fitting-Grease	35	18-6380	2	Pin-Adjustment, Steering
18	95-0600-01	1	Frame ASM	36	3296-4	2	Nut-Lock
19	323-6	6	Screw-HH	37	3296-19	2	Nut-Hex
20	85-8940	2	Flangette-Relube	38	87-7270	2	Washer-Thrust
20:1	302-5	1	Fitting-Grease	39	112-7659	2	Stud
21	251-352	2	Bearing	40	112-7641-03	1	Weight-Wheel
22	85-8950	2	Flangette-Standard	41	112-7661	2	Nut-Hex
23		1	Fork And Grease Fitting	42		1	Front Axle ASM ●
23:1		1	Fork ASM ●	42:1	112-7673	1	Axle Shaft ASM
23:1:1	112-7670-01	1	Offset Fork ASM	42:2	10-6830	4	Stud-Type, Drive
23:1:2	302-33	1	Fitting-Grease	42:3	108-7662	2	Screw-Lug

● Not serviced separately



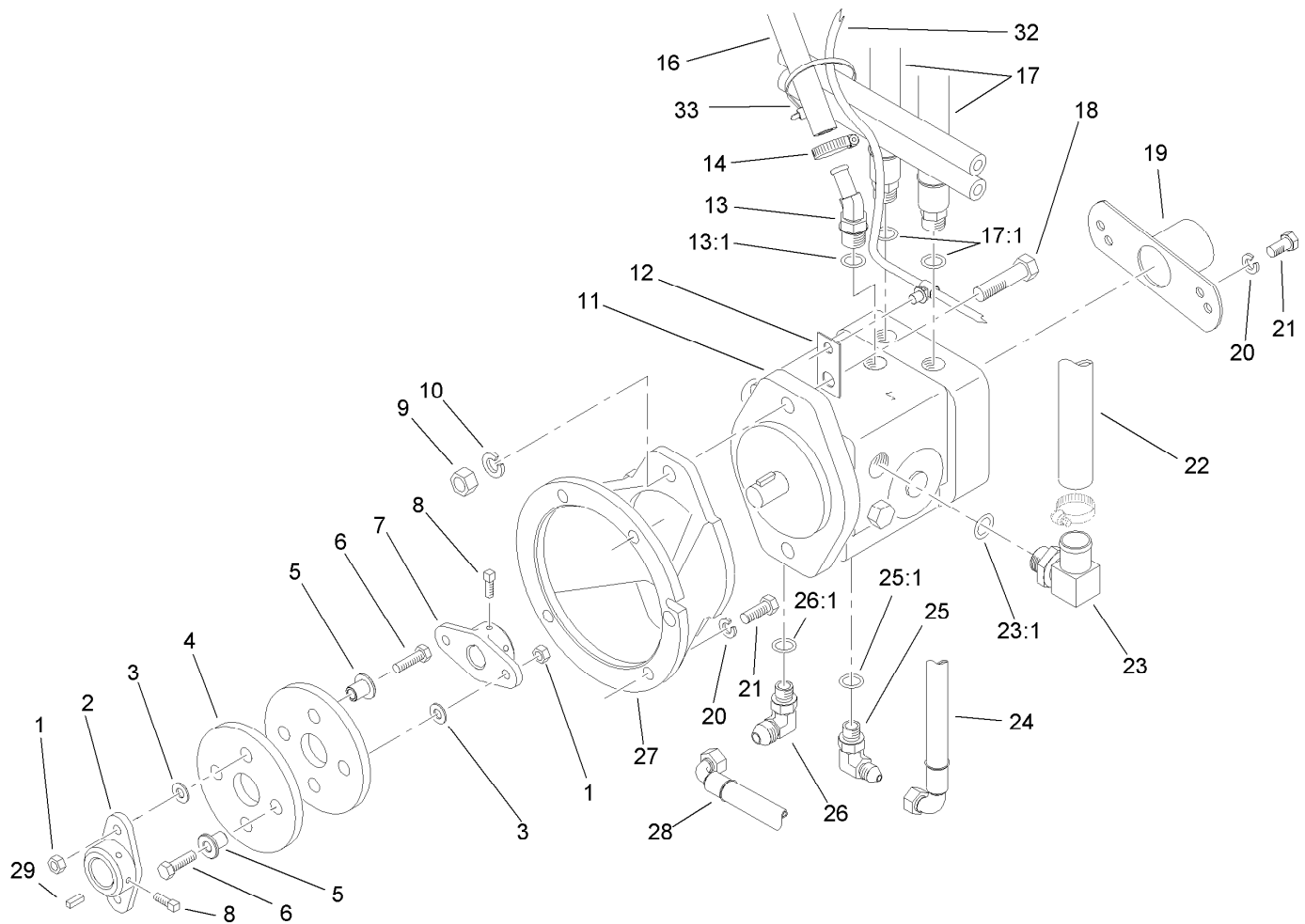
Traction Pedal Assembly

<i>Ref.</i>	<i>Part Number</i>	<i>Qty.</i>	<i>Description</i>
1	322-14	1	Screw-HH
2	3256-23	1	Washer-Flat
3	256-219	2	Bushing
4	85-8960	1	Spacer
5	74-9110	1	Pad-Pedal, Reverse
6	74-9100	1	Pad-Pedal, Forward
7	92-2343-01	1	Pedal ASM
8	3296-29	1	Nut-Lock, NI
9	3218-5	2	Nut-Jam
10	3296-39	1	Nut-Lock, NI
11	3256-24	2	Washer-Flat
12	92-2344	1	Trunion
13	95-0584	1	Rod-Control
14	3256-25	1	Washer-Flat
15	3272-16	1	Pin-Cotter



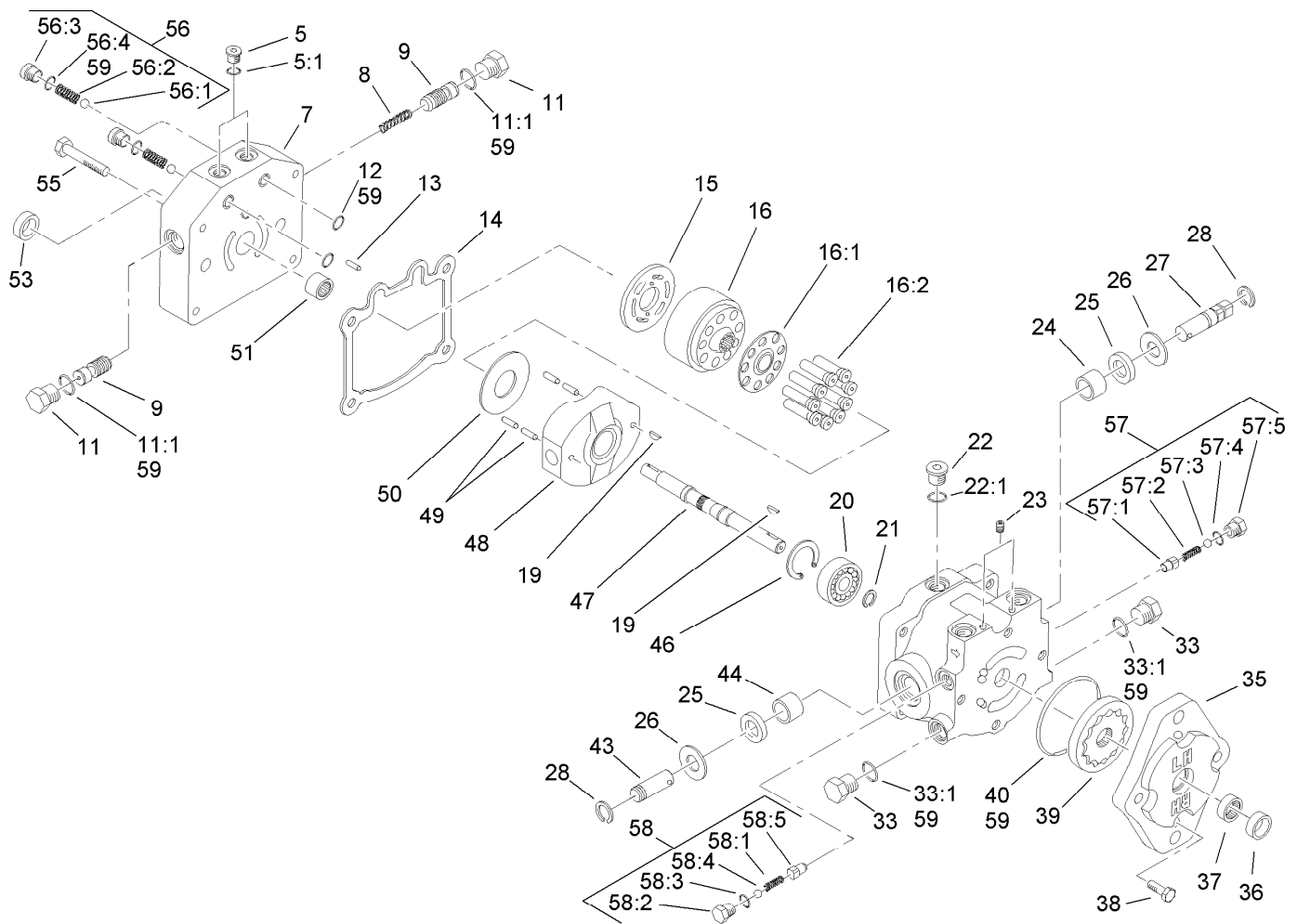
Pump Control Lever Assembly

<i>Ref.</i>	<i>Part Number</i>	<i>Qty.</i>	<i>Description</i>
1	323-11	1	Screw-HH
2	322-5	1	Screw-HH
3	251-307	1	Bearing-Ball
4	75-5470	1	Spacer-Bearing
5	85-8300-03	1	Pump Lever ASM
6	93-9051	1	Decal-Bolt, Eccentric
7	3296-29	2	Nut-Lock, NI
8	3296-39	1	Nut-Lock, NI
9	49-2040	3	Screw-HWHTF
10	108-5490-03	1	Pump Plate ASM
11	76-8640	1	Stud-Traction
12	3-6498	1	Washer-Thrust
13	108-5493	1	Arm ASM
13:2	94-9609	2	Bushing-Straight
14	105-0023	1	Switch-Proximity
15	321-4	1	Screw-HH
16	3218-1	1	Nut-Jam
17	3229-20	1	Screw-CARR
18	85-9030	1	Spring-Extension
19	18-6380	1	Pin-Adjustment, Steering
20	100-4872	1	Plate-Switch, Neutral
21	3296-2	1	Nut-Lock, NI
22	3296-4	1	Nut-Lock



Hydraulic Pump Installation Assembly

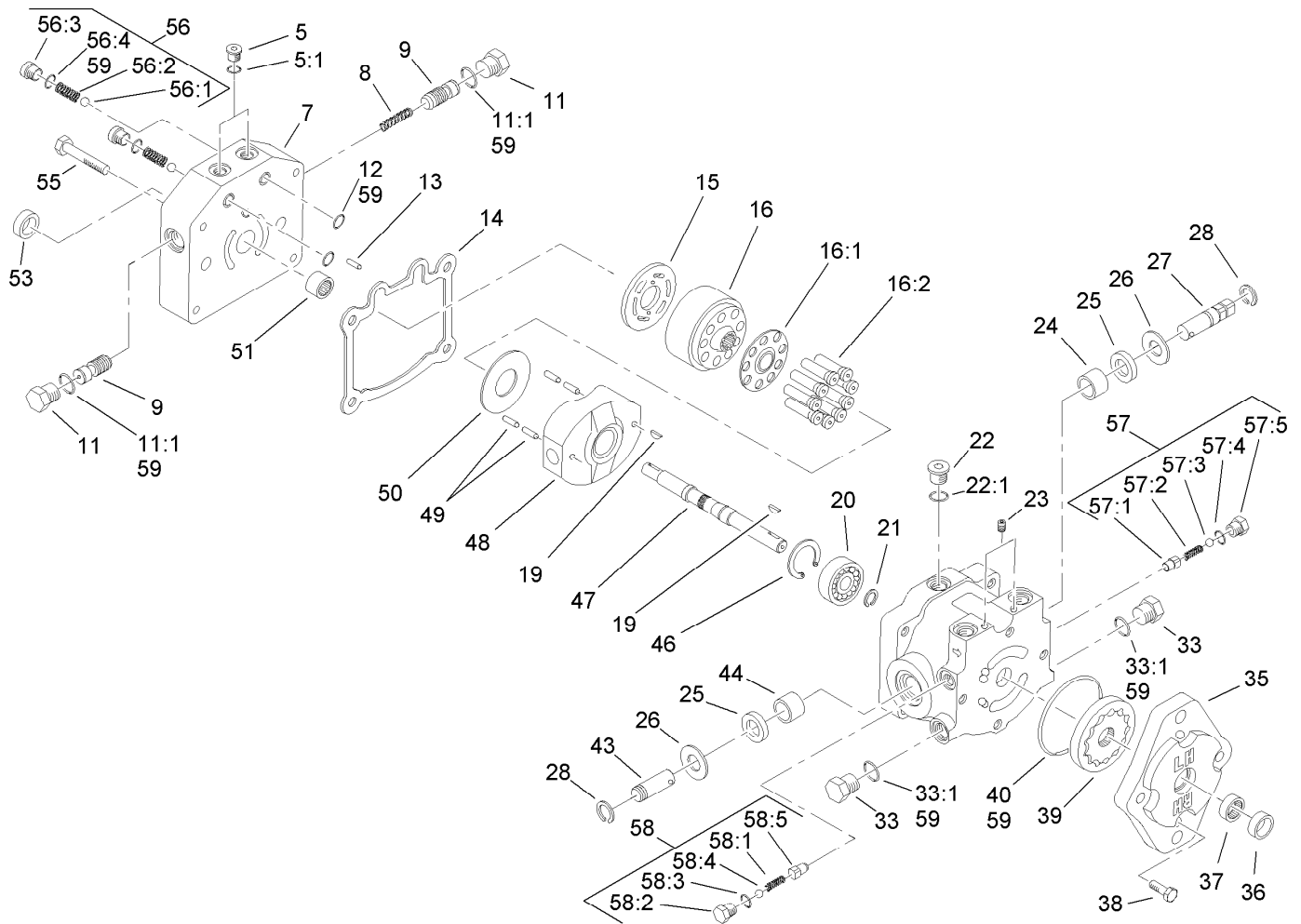
Ref.	Part Number	Qty.	Description	Ref.	Part Number	Qty.	Description
1	3296-29	4	Nut-Lock, NI	18	325-7	2	Screw-HH
2	110-5236	1	Hub-Engine	19	95-0632-03	1	Cover ASM
3	3256-23	4	Washer-Flat	20	3253-5	6	Washer-Lock
4	80-8650	2	Coupling-Drive	21	323-6	6	Screw-HH
5	71-4411	4	Spacer	22	95-0555	1	Hose-Suction
6	322-7	4	Screw-HH	23	87-8170	1	Fitting
7	110-9695	1	Hub-Pump	23:1	237-80	1	O-Ring
8	3241-5	4	Screw-Set	24	95-0592	1	Hose ASM
9	3217-9	2	Nut-HH	25	353-374	1	Elbow-90 DEG
10	3253-7	2	Washer-Lock	25:1	237-42	1	O-Ring
11	114-0613	1	Var HYD Piston Pump ASM	26	353-511	1	Fitting-HYD, 90 DEG
12	112-7639	1	Stand Off-Wire	26:1	237-42	1	O-Ring
13	354-126	1	Fitting-HYD, 45 DEG	27	95-0631-03	1	Mount-Pump
13:1	237-79	1	O-Ring	28	95-0591	1	Hose-HYD
14	2412-36	1	Clamp-Hose	29	13-2840	1	Key-Square
16	98-8153	1	Hose-Return	32	110-7384	1	Harness-Wire
17	95-0595	2	Hose-HYD	33	3290-379	6	Tie-Cable
17:1	237-79	1	O-Ring				



Variable Hydraulic Piston Pump Assembly No. 114-0613

Ref.	Part Number	Qty.	Description	Ref.	Part Number	Qty.	Description
5	92-8776	2	Plug-HSH	28	32151-46	2	Ring-Retaining
5:1	92-8777	1	O-Ring	33	88-8210	2	Plug
7	112-7656	1	Cap-End	33:1	237-80	1	O-Ring
8	25-2610	1	Spring-Valve	35	114-0611	1	Housing-Pump, Charge
9	95-5814	2	Valve-Acceleration	36	67-8060	1	Seal-Lip
11	28-3440	2	Plug-Threaded	37	67-8050	1	Bearing-Needle
11:1	75-0240	1	O-Ring	38	322-4	4	Screw-HH
12	112-7652	2	O-Ring	39	95-5812	1	Gerotor ASM
13	25-2430	1	Pin-Dowel	40	237-95	1	O-Ring
14	25-2400	1	Gasket	43	25-2500	1	Shaft-Trunnion
15	95-5811	1	Plate-Valve	44	252-82	1	Bearing-Needle
16	48-1800	1	Cylinder Block Kit	46	32151-75	1	Ring-Retaining
16:1		1	Retainer-Slipper ●	47	95-5810	1	Shaft
16:2		9	Piston ASM ●	48	25-2450	1	Plate-Swash, Variable
19	3257-32	2	Key-Woodruff	49	32121-91	4	Pin-Spring
20	95-5809	1	Bearing-Ball	50	25-2380	1	Plate-Thrust
21	94-3996	1	Ring-Retaining	51	46-8400	1	Bearing-Shaft
22	353-988	1	Plug-Hex	53	88-8230	1	Seal-Lip
22:1	237-79	1	O-Ring	55	323-45	4	Screw-HH
23	285-17	2	Plug-Pipe	56	99-5689	1	Check Valve Kit
24	88-8190	1	Bearing-Journal	56:1	25-2490	1	Ball
25	25-3210	2	Seal-Lip	56:2	25-2640	1	Spring-Valve
26	25-2510	2	Washer-Flat	56:3	25-2650	1	Plug-Valve, Check
27	88-8180	1	Shaft-Trunnion	56:4	237-86	1	O-Ring

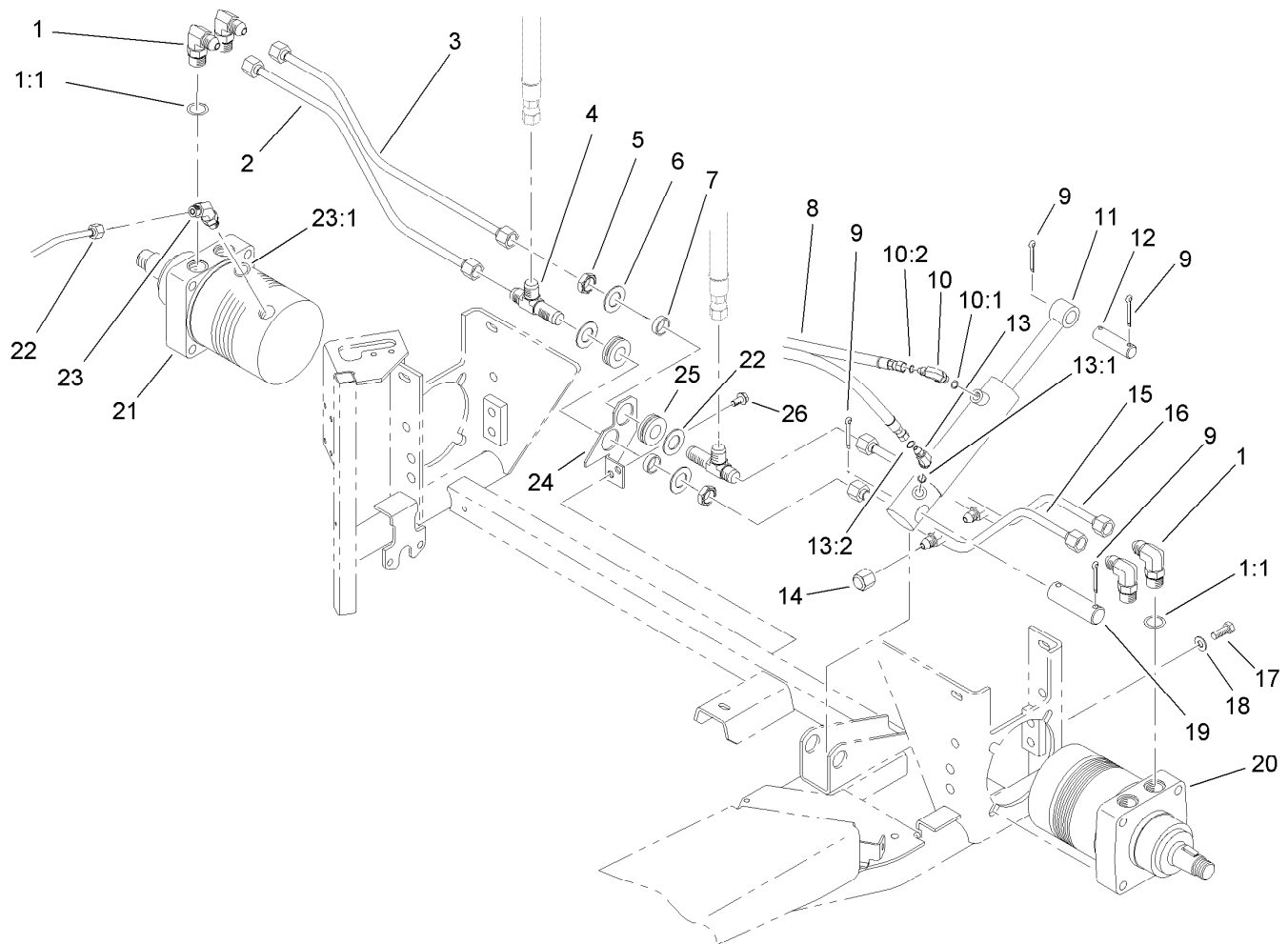
● Not serviced separately



Variable Hydraulic Piston Pump Assembly No. 114-0613 (continued)

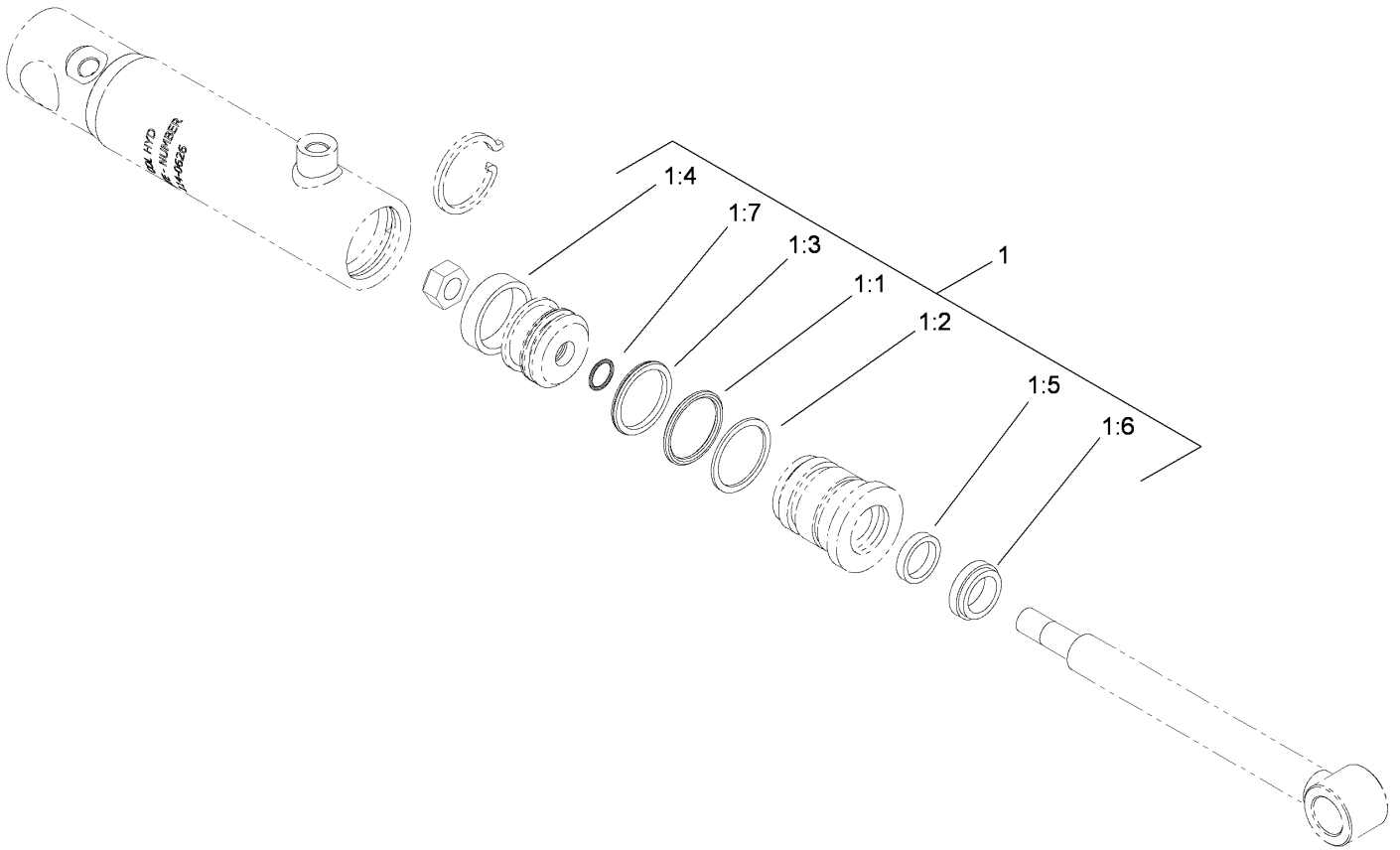
<i>Ref.</i>	<i>Part Number</i>	<i>Qty.</i>	<i>Description</i>	<i>Ref.</i>	<i>Part Number</i>	<i>Qty.</i>	<i>Description</i>
57	49-8520	1	Implement Relief Kit	58:1	25-2480	1	Spring-Valve
57:1	83-7260	1	Cone-Relief, Charge	58:2	25-2460	1	Plug-HH
57:2	25-2570	1	Spring-Valve	58:3	237-86	1	O-Ring
57:3	25-2470	1	Pack-Shim	58:4	25-2470	1	Pack-Shim
57:4	237-86	1	O-Ring	58:5	83-7260	1	Cone-Relief, Charge
57:5	25-2460	1	Plug-HH	59	114-0618	1	Kit-Seal
58	49-8510	1	Valve Kit				

● Not serviced separately



Rear Wheel Drive Assembly

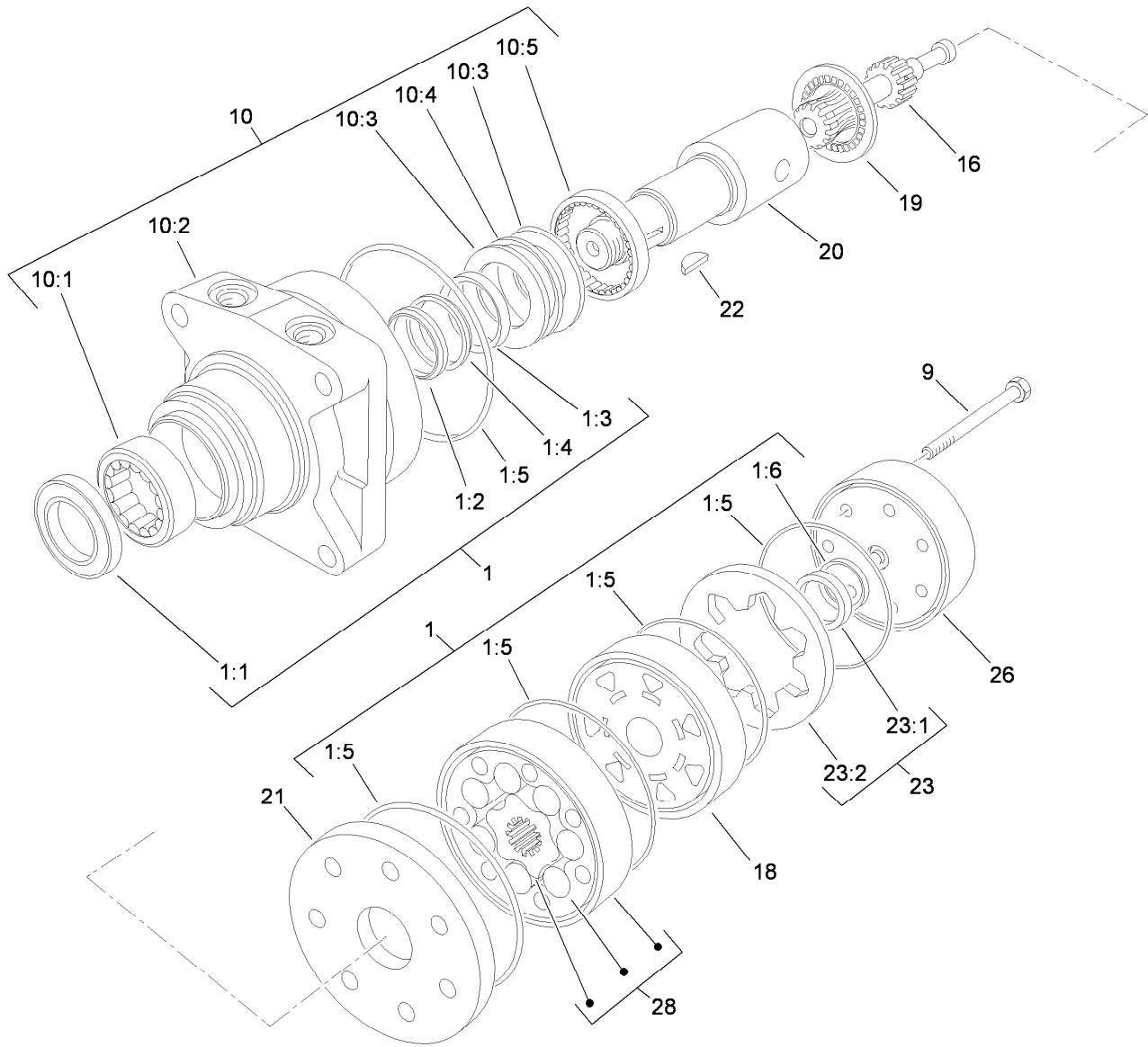
<i>Ref.</i>	<i>Part Number</i>	<i>Qty.</i>	<i>Description</i>	<i>Ref.</i>	<i>Part Number</i>	<i>Qty.</i>	<i>Description</i>
1	353-426	4	Fitting-90 DEG	13:1	237-78	1	O-Ring
1:1	237-80	1	O-Ring	13:2	237-21	1	O-Ring
2	95-0564	1	Tube-RH, Front	14	95-0594	2	Fitting-Cap
3	95-0559	1	Tube-RH, Rear	15	95-0560	1	Tube-LH, Front
4	95-0577	2	Fitting-Bulkhead	16	95-0567	1	Tube-LH, Rear
5	95-0642	2	Locknut-Bulkhead	17	325-5	4	Screw-HH
6	69-8930	4	Washer	18	3256-26	4	Washer-Flat
7	69-8960	2	Spacer	19	18-7160	1	Pin-Cylinder
8	75-6200	2	Hose	20	75-9831	1	HYD Motor ASM
9	3272-23	4	Pin-Cotter	21	75-9840	1	HYD Motor ASM
10	340-132	1	Fitting-HYD, 90 DEG	22	95-0575	1	Tube-Valve, Shuttle
10:1	237-78	1	O-Ring	23	353-212	1	Fitting-HYD, 45 DEG
10:2	237-21	1	O-Ring	23:1	237-42	1	O-Ring
11	114-0626	1	HYD Cylinder ASM	24	95-0568-01	1	Bracket-Bulkhead
12	18-7310	1	Pin-Cylinder	25	240-5	2	Grommet-Rubber
13	340-103	1	Fitting-HYD, 45 DEG	26	32144-14	2	Screw-HWHTF



Hydraulic Cylinder Assembly No. 114-0626

<i>Ref.</i>	<i>Part Number</i>	<i>Qty.</i>	<i>Description</i>
1	115-4129	1	Repair Kit
1:1		1	O-Ring ●
1:2		1	Ring-Backup ●
1:3		1	Seal-Bp ●
1:4		1	Ring-Wear ●
1:5		1	Seal-Bs ●
1:6		1	Seal-Dust ●
1:7		1	O-Ring ●

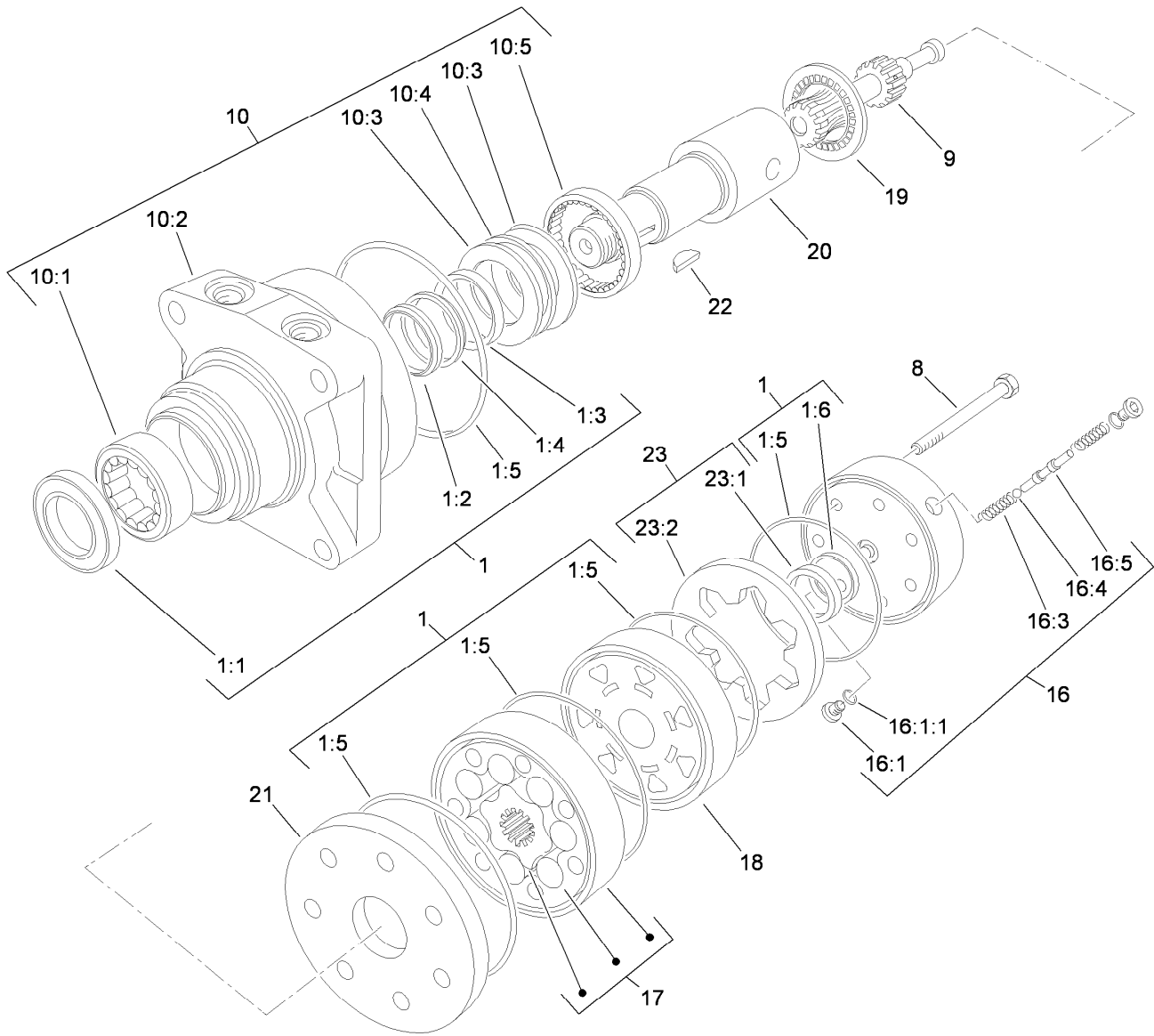
● Not serviced separately



Hydraulic Motor Assembly No. 75-9831

Ref.	Part Number	Qty.	Description	Ref.	Part Number	Qty.	Description
1	94-8178	1	Seal Kit	10:5		1	Bearing ●
1:1		1	Seal-Dirt And Water ●	16	76-0820	1	Line-Drive
1:2		1	Backup-Ring ●	18	76-0840	1	Manifold
1:3		1	Seal-Shaft ●	19	76-0850	1	Bearing-Thrust
1:4		1	Washer-Backup ●	20	76-0860	1	Shaft-Coupling
1:5		5	Seal-Square, Ring (Inner) ●	21	76-0870	1	Plate-Wear
1:6		1	Seal-Commutator ●	22	3257-42	1	Key-Woodruff
9	76-1020	7	Screw-Cap, HH	23	76-0880	1	Commutator ASM
10	76-0810	1	Housing ASM	23:1		1	Commutator ●
10:1		1	Bearing ●	23:2		1	Ring-Commutator ●
10:2		1	Housing ●	26	76-0940	1	End Cover ASM
10:3		2	Washer-Thrust ●	28	76-0830	1	Rotor Set
10:4		1	Bearing-Thrust ●				

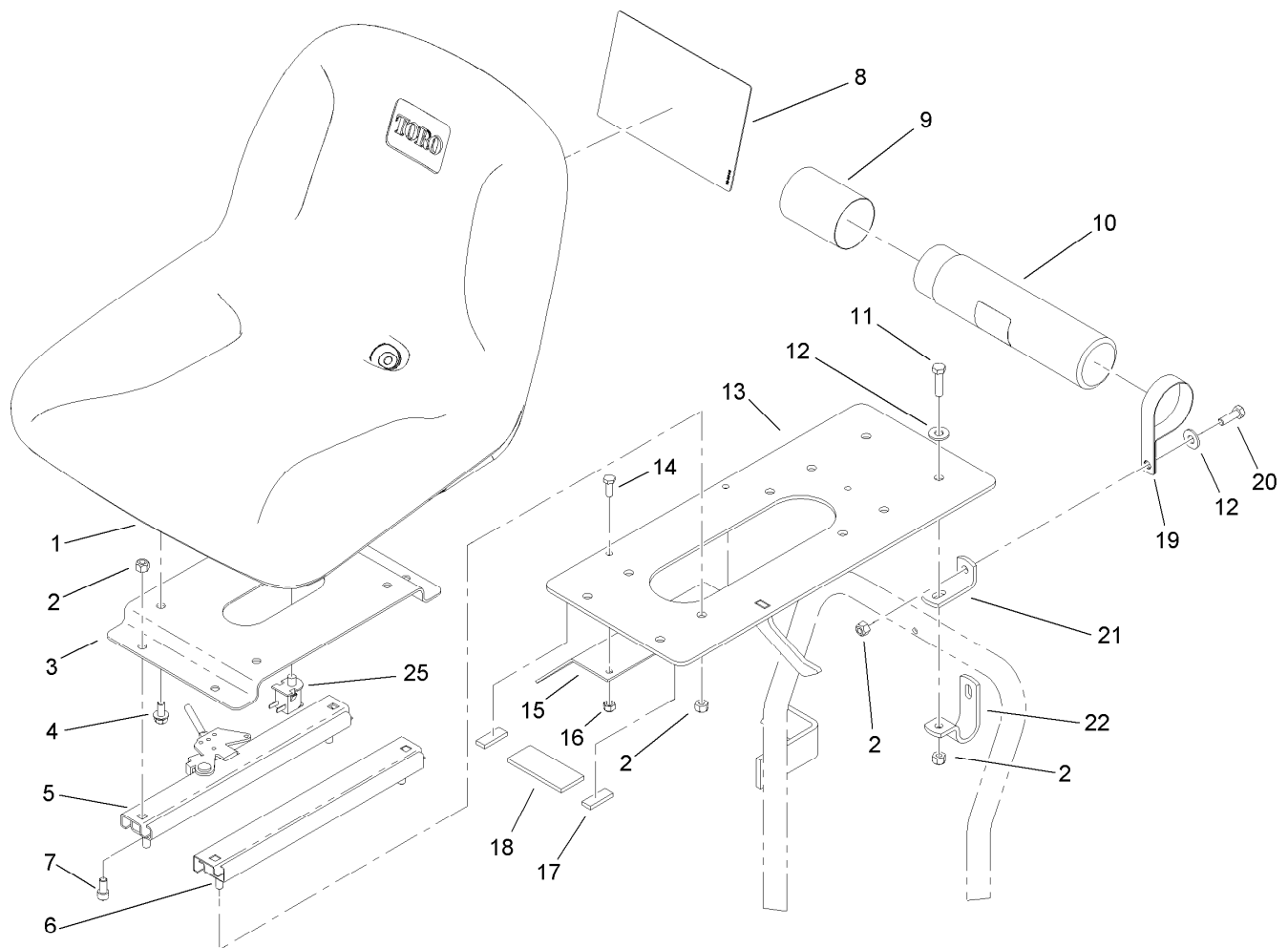
● Not serviced separately



Hydraulic Motor Assembly No. 75-9840

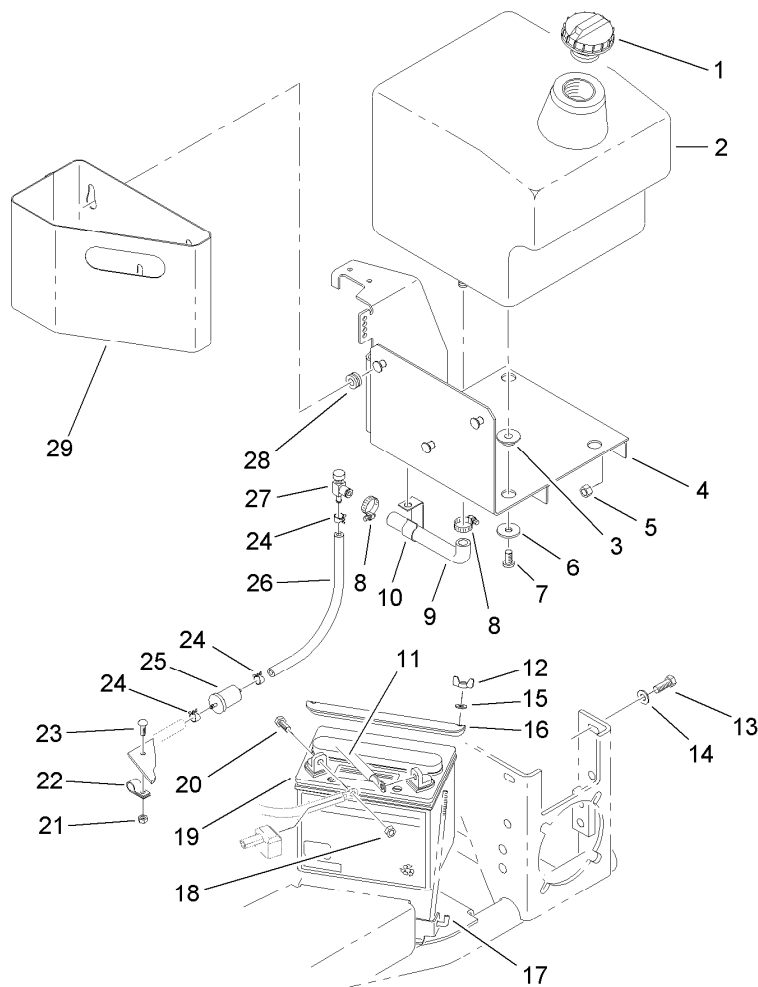
Ref.	Part Number	Qty.	Description	Ref.	Part Number	Qty.	Description
1	94-8178	1	Seal Kit	16	76-0890	1	End Cover ASM
1:1		1	Seal-Dirt And Water ●	16:1	353-990	2	Plug
1:2		1	Backup-Ring ●	16:1:1	237-78	1	O-Ring
1:3		1	Seal-Shaft ●	16:3		2	Spring ●
1:4		1	Washer-Backup ●	16:4		1	Ball ●
1:5		5	Seal-Square, Ring (Inner) ●	16:5		1	Valve-Shuttle ●
1:6		1	Seal-Commutator ●	17	76-0830	1	Rotor Set
8	76-1040	7	Screw-Cap, HH	18	76-0840	1	Manifold
9	76-0820	1	Line-Drive	19	76-0850	1	Bearing-Thrust
10	76-0810	1	Housing ASM	20	76-0860	1	Shaft-Coupling
10:1		1	Bearing ●	21	76-0870	1	Plate-Wear
10:2		1	Housing ●	22	3257-42	1	Key-Woodruff
10:3		2	Washer-Thrust ●	23	76-0880	1	Commutator ASM
10:4		1	Bearing-Thrust ●	23:1		1	Commutator ●
10:5		1	Bearing ●	23:2		1	Ring-Commutator ●

● Not serviced separately



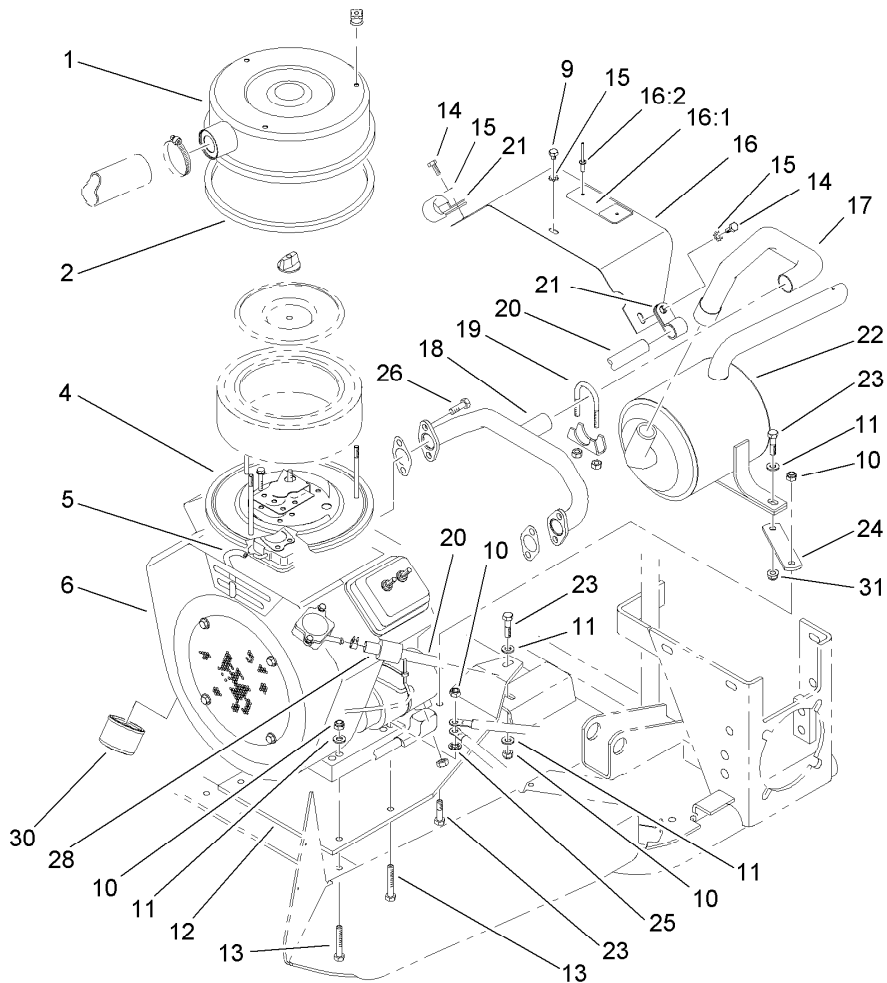
Seat Assembly

<i>Ref.</i>	<i>Part Number</i>	<i>Qty.</i>	<i>Description</i>
1	108-6878	1	Seat
2	3296-29	12	Nut-Lock, NI
3	110-7374-03	1	Mount-Seat
4	3234-14	4	Screw-HHF
5	51-0790	1	Adjuster-Seat, LH
6	51-0780	1	Slider-Seat
7	3274-12	4	Screw-HSH
8	114-4318	1	Decal-Reference, Quick
9	104-7048	1	Cap-Housing
10	104-7050	1	Tube-Manual
11	322-6	2	Screw-HH
12	3256-3	4	Washer-Flat
13	112-7682-03	1	Seat Plate ASM
14	321-4	2	Screw-HH
15	95-5840-03	1	Shield-Base, Seat
16	3296-42	2	Nut-Lock, NI
17	74-0340	2	Cushion-Rubber
18	74-0342	1	Cushion-Rubber
19	2412-133	2	R-Clamp
20	322-5	2	Screw-HH
21	92-8973	2	Angle
22	92-8972	2	Clamp-Seat
25	82-2190	1	Switch-Bail



Fuel Tank Assembly

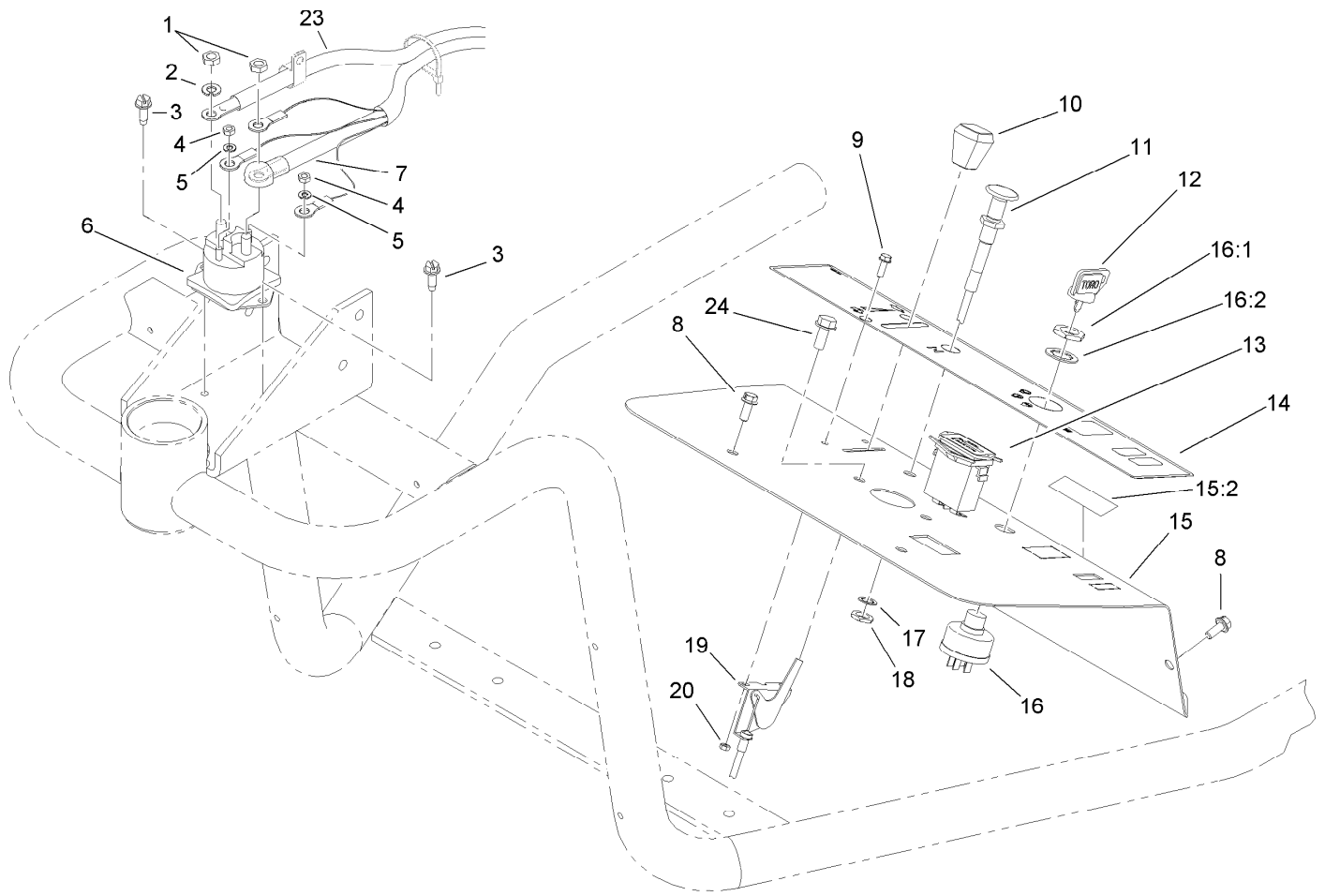
<i>Ref.</i>	<i>Part Number</i>	<i>Qty.</i>	<i>Description</i>	<i>Ref.</i>	<i>Part Number</i>	<i>Qty.</i>	<i>Description</i>
1	115-5304	1	Cap-Fuel	16	92-5018-03	1	Clamp-Battery
2	92-7186	1	Tank-Fuel	17	100-6435	2	Post-Battery
3	240-11	4	Bushing-Flange	18	3296-29	2	Nut-Lock, NI
4	95-0576-03	1	Base-Tank, Fuel	19	104-8162	1	Battery
5	3296-39	3	Nut-Lock, NI	20	322-3	2	Screw-HH
6	63-8410	4	Washer	21	3296-42	1	Nut-Lock, NI
7	3250-36	4	Screw-PPH	22	2412-73	1	Clamp-R
8	2412-36	2	Clamp-Hose	23	3274-69	1	Screw-HSBH
9	110-8151	1	Hose-Fuel, Formed	24	2412-98	4	Clamp
10	92-7160	1	Clip	25	94-2690	1	Filter-Fuel
11	110-8843	1	Cable-Battery, Negative	26	109-0294	1	Hose-Fuel
12	32103-12	2	Nut-Wing	27	83-1390	1	Valve-Shut-Off, Fuel
13	323-7	3	Screw-HH	28	240-9	3	Grommet
14	3256-24	3	Washer-Flat	29	86-7640-01	1	Box-Litter
15	3256-22	2	Washer-Flat				



Engine Installation Assembly

Ref.	Part Number	Qty.	Description
1	114-0607-03	1	Air Cleaner Cover ASM
2	85-8360	1	Gasket-Ring
4	85-8430-03	1	Base-Cleaner, Air
5	75-4705	1	Hose-Fuel
6	117-2730	1	Engine-Briggs & Stratton, 305447-0203-G2
9	33113-008	1	Screw-HH
10	3296-29	6	Nut-Lock, NI
11	3256-23	6	Washer-Flat
12	95-0556-03	1	Base-Engine
13	322-10	4	Screw-HH
14	33113-012	2	Screw-HH
15	3255-7	3	Washer-Lock/EXT
16	105-8523	1	Muffler Shield ASM
16:1	95-0645	1	Plate-Surface, Hot

Ref.	Part Number	Qty.	Description
16:2	3269-32	2	Rivet-Pop
17	95-0551	1	Tube-Exhaust
18	95-0550	1	Manifold-Exhaust
19	95-0586	2	Clamp ASM
20	109-0302	1	Hose-Fuel
21	2412-73	2	Clamp-R
22	95-0552	1	Muffler
23	322-5	3	Screw-HH
24	114-0608	1	Bracket-Muffler
25	3255-8	1	Washer-Lock
26	94-5300	4	Screw-HHF
28	38-3400	1	Guard-Rubber
30	107-7817	1	Filter-Oil
31	104-8300	1	Nut-Flange, NI

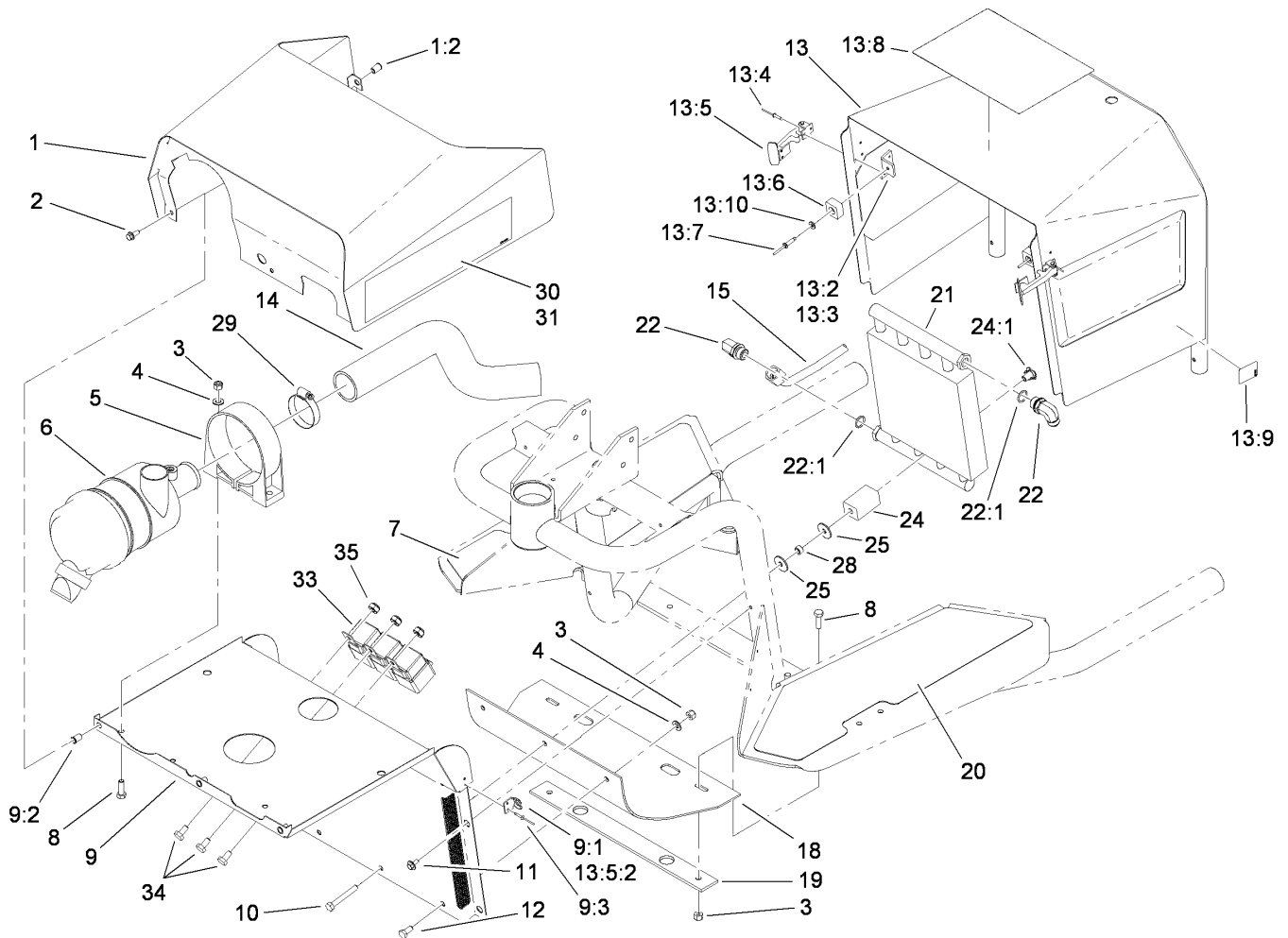


Dash Panel Assembly

Ref.	Part Number	Qty.	Description
1	3218-13	2	Nut-Jam, Brass
2	3253-4	2	Washer-Lock
3	32104-95	2	Screw-HWH
4	3219-14	2	Nut-Hex
5	3253-17	2	Washer-Lock
6	28-4210	1	Solenoid
7	110-8844	1	Cable-Battery, Positive
8	3234-33	4	Screw-HHF
9	32105-2	2	Screw-SHWH
10	66-0120	1	Knob
11	112-7689	1	Control-Choke
12	63-8360	2	Key-Ignition
13	1-513374	1	Meter-Hour

Ref.	Part Number	Qty.	Description
14	112-7629	1	Decal-Dash
15	110-7396	1	Dash Panel ASM
15:2	93-9052	1	Decal-Danger
16	83-0020	1	Switch-Ignition
16:1	218-461	1	Nut-HH
16:2	3254-5	1	Washer-Tooth, Internal
17	3254-6	1	Washer-Lock, Internal
18	3219-3	1	Nut-Hex
19	112-7688	1	Control-Throttle
20	3296-12	2	Nut-Lock, NI
23	95-5825	1	Wire ASM
23:1	83-2430	1	Boot-Terminal ●
24	32144-14	2	Screw-HWHTF

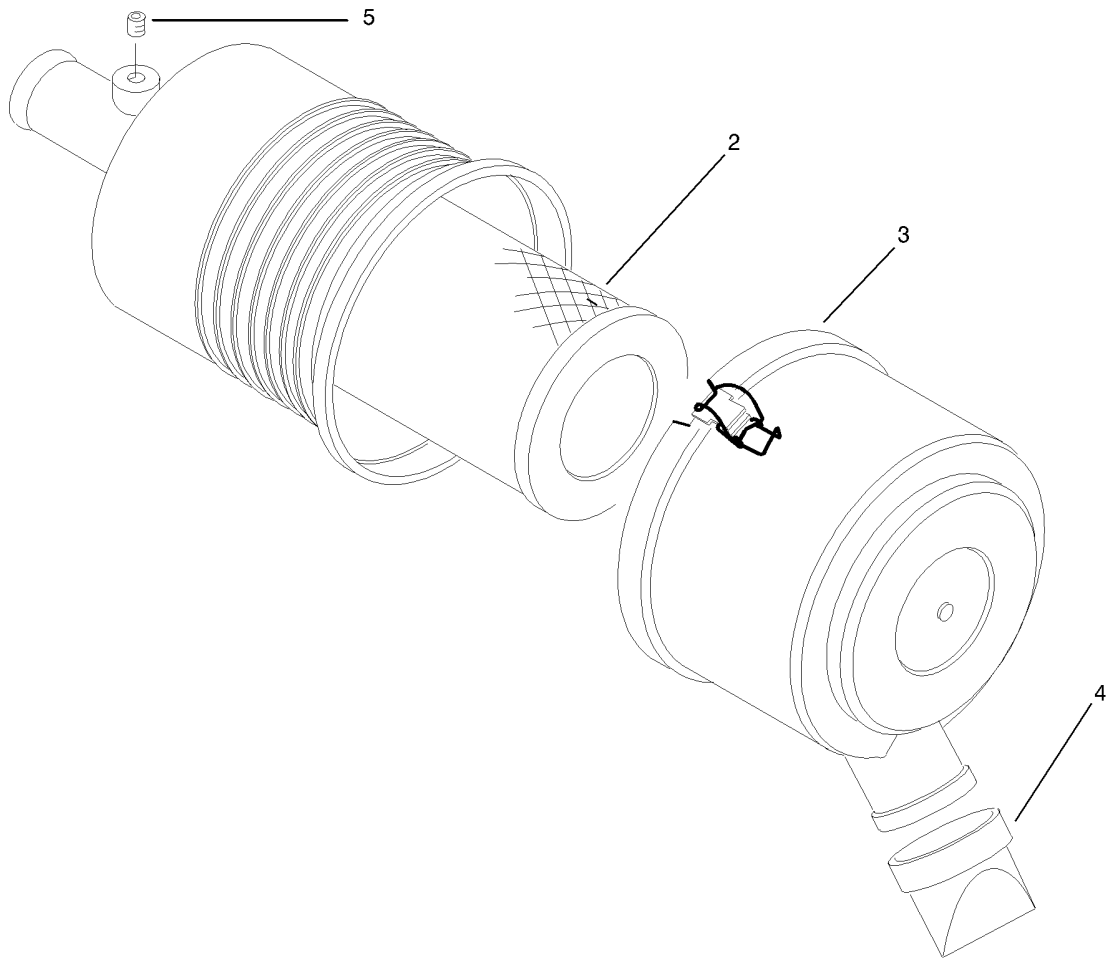
● Not illustrated



Shroud, Relay, Air Cleaner and Oil Cooler Assembly

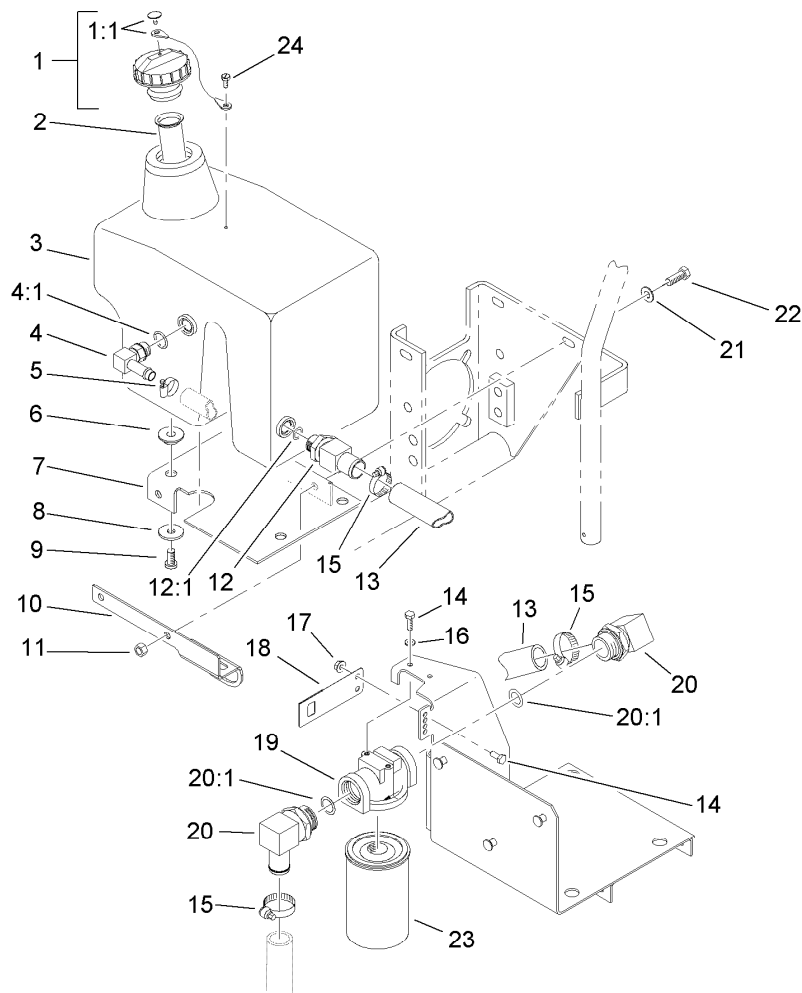
Ref.	Part Number	Qty.	Description
1	99-1644	1	Dash Shroud ASM
1:2	32148-6	4	Insert-Nut
2	3234-33	3	Screw-HHF
3	3296-29	6	Nut-Lock, NI
4	3256-23	4	Washer-Flat
5	95-5806	1	Bracket-Mounting
6	95-5805	1	Air Cleaner ASM
7	92-7158	1	Tread-Floor, RH
8	322-5	4	Screw-HH
9	95-5817	1	Front Shield ASM
9:1	249-40	2	Keeper
9:2	32148-6	3	Insert-Nut
9:3	3269-8	4	Rivet-Blind
10	322-11	2	Screw-HH
11	46-8560	6	Screw-HHFTF
12	322-2	2	Screw-HH
13	95-0610	1	Engine Cover ASM
13:2	95-0611	1	Bracket-RH
13:3	95-0612	1	Bracket-LH
13:4	3269-8	6	Rivet-Blind
13:5	59-9740	2	Flex Draw Latch ASM
13:5:2	249-40	1	Keeper
13:6	94-1392	2	Pad-Rubber

Ref.	Part Number	Qty.	Description
13:7	3269-28	2	Rivet-Pop
13:8	92-8985	1	Decal-Operating
13:9	93-7252	1	Decal-Ce Mark
13:10	3256-14	2	Washer-Flat
14	95-0582	1	Hose-Intake, Air
15	114-0679	1	Tube-HYD
18	95-5826	1	Shield-Rubber
19	95-0620-01	1	Strip-Retainer
20	92-7159	1	Tread-Floor, LH
21	92-8997	1	Cooler-Oil
22	353-371	2	Fitting-Elbow-90
22:1	237-79	1	O-Ring
24	85-9550	2	Rubber Clamp ASM
24:1	85-9670	1	T-Nut
25	3256-82	3	Washer-Flat
28	85-9120	2	Spacer-Pivot, Tilt
29	2412-92	2	Clamp-Hose
30	106-8101	2	Decal
31	106-8102	2	Decal
33	99-7430	3	Relay
34	321-2	3	Screw-HH
35	3296-16	3	Nut-Lock, NI



Air Cleaner Assembly No. 95-5805

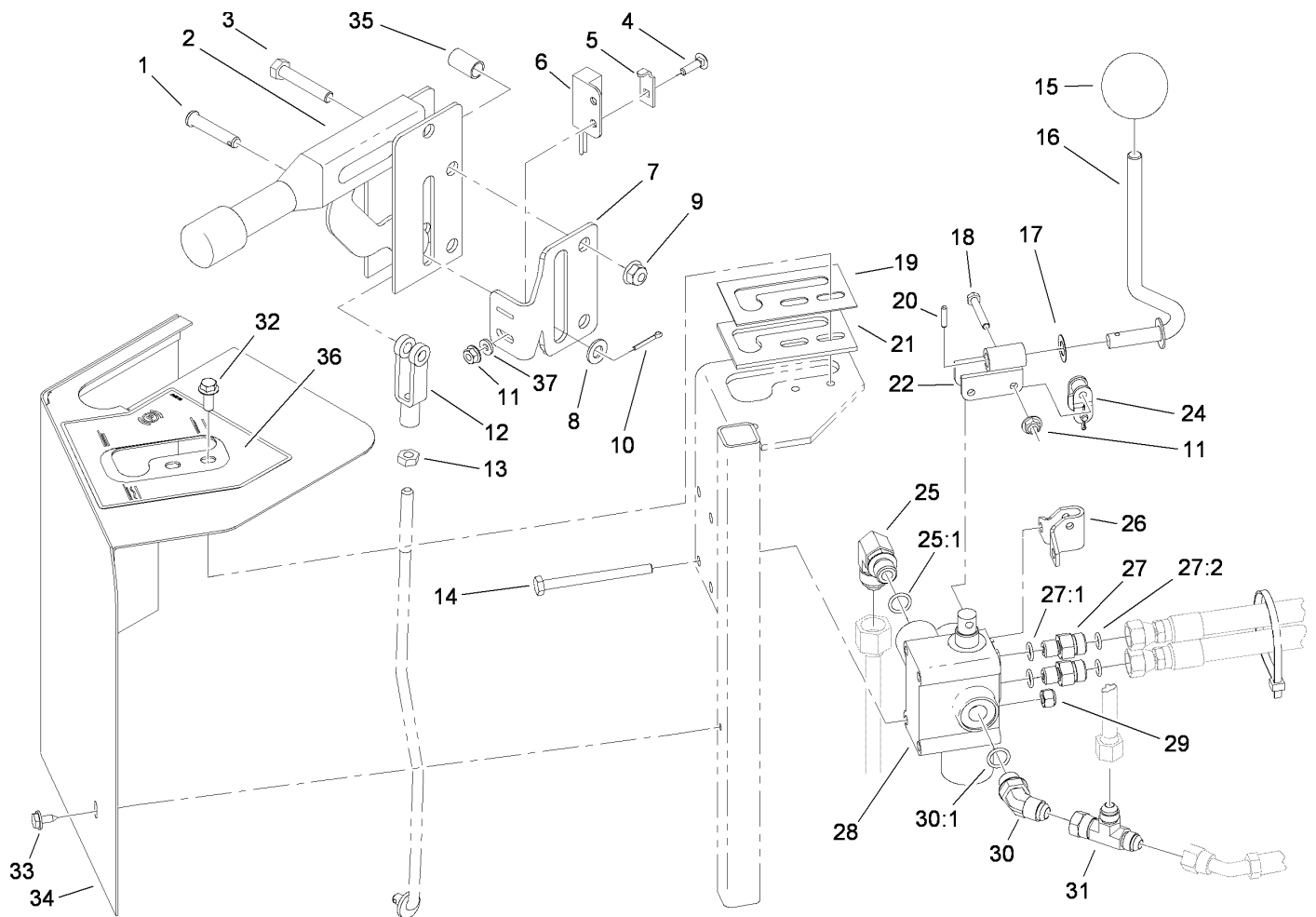
<i>Ref.</i>	<i>Part Number</i>	<i>Qty.</i>	<i>Description</i>
2	108-3811	1	Filter-Air
3	94-3652	1	Cover ASM
4	87-9400	1	Valve-Vacuator
5	285-17	1	Plug-Pipe



Hydraulic Oil Reservoir and Filter Assembly

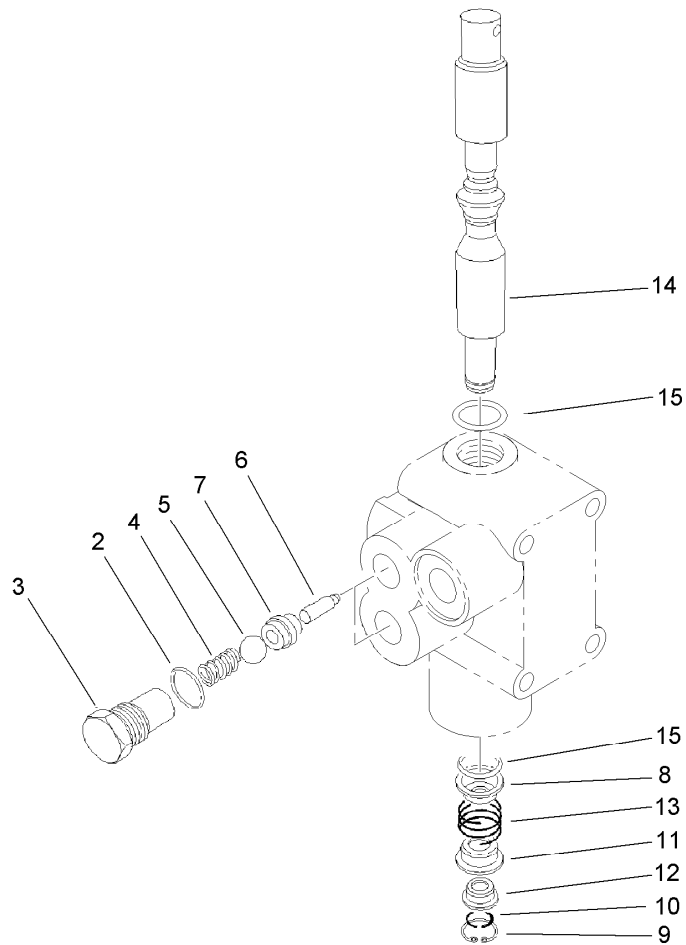
Ref.	Part Number	Qty.	Description
1	93-4365	1	Cap-Oil
1:1	75-0540	1	Tether And Button Kit
2	92-1705	1	Filter-Screen
3	98-0968	1	Tank-HYD
4	354-120	1	Fitting-HYD, 90 DEG
4:1	237-79	1	O-Ring
5	2412-36	1	Clamp-Hose
6	240-11	4	Bushing-Flange
7	95-0590-03	1	Base-Tank, HYD
8	63-8410	3	Washer
9	3250-36	3	Screw-PPH
10	112-7683	1	Shield-Muffler
11	3296-39	3	Nut-Lock, NI
12	354-136	1	Fitting-HYD

Ref.	Part Number	Qty.	Description
12:1	237-80	1	O-Ring
13	107-2152	1	Hose-Suction
14	321-3	4	Screw-HH
15	2412-129	4	Clamp-Hose
16	3253-3	2	Washer-Lock
17	32128-33	2	Nut-HF
18	112-7677	1	Clip-Spring
19	68-8990	1	Filter Head ASM
20	353-987	2	Fitting-HYD, 90
20:1	237-81	1	O-Ring
21	3256-24	3	Washer-Flat
22	323-7	3	Screw-HH
23	23-9740	1	Filter-Oil
24	57-5420	1	Screw-Shoulder



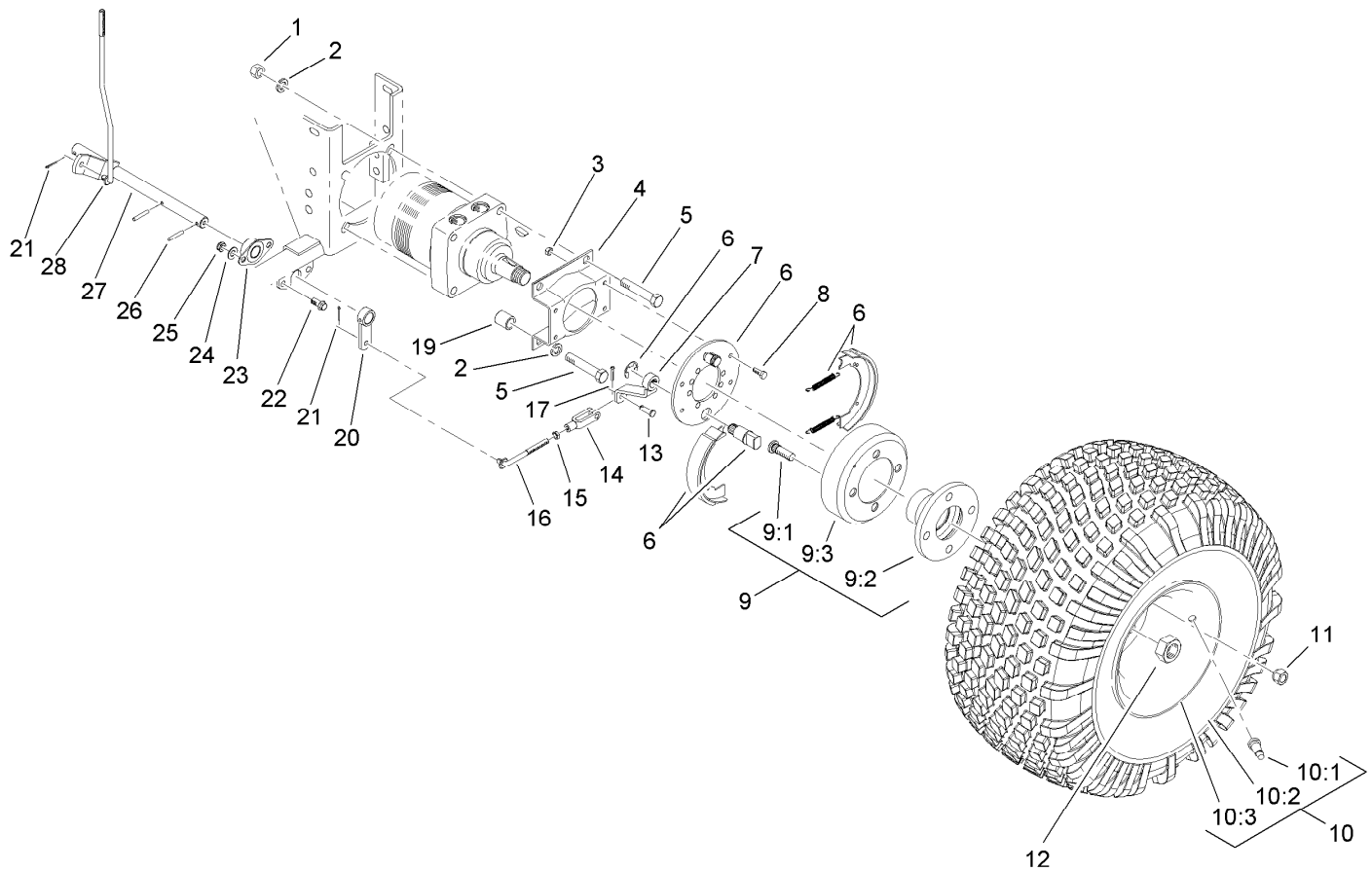
Lift Valve Installation Assembly

Ref.	Part Number	Qty.	Description	Ref.	Part Number	Qty.	Description
1	94-3829	1	Pin-Clevis	21	21-8640	1	Latch-Lever, Valve
2	95-0636	1	Lever-Brake	22	92-8983	1	Pivot
3	322-21	2	Screw-HH	24	2710-20	1	Link-Offset
4	3229-20	1	Screw-CARR	25	353-511	1	Fitting-HYD, 90 DEG
5	100-4872	1	Plate-Switch, Neutral	25:1	237-42	1	O-Ring
6	106-9288	1	Sensor-Proximity, Ferrous	26	88-8480	1	Bracket-Pivot
7	114-4364	1	Bracket-Sensor, Brake	27	340-92	2	Fitting-HYD, Straight
8	3256-23	1	Washer-Flat	27:1	237-78	1	O-Ring
9	104-8300	2	Nut-Flange, NI	27:2	237-21	1	O-Ring
10	3272-6	1	Pin-Cotter	28	43-1710	1	Valve ASM
11	32128-17	3	Nut-Lock, Flange	29	3296-42	4	Nut-Lock, NI
12	282-2	1	Yoke	30	353-212	1	Fitting-HYD, 45 DEG
13	3220-2	1	Nut-Jam	30:1	237-42	1	O-Ring
14	321-23	4	Screw-HH	31	353-877	1	Fitting-HYD, Tee (Swivel)
15	233-21	1	Knob	32	3234-33	2	Screw-HHF
16	92-8981	1	Lift Lever ASM	33	32104-76	1	Screw
17	3290-477	1	Washer-Curved	34	95-0601-01	1	Valve Shroud ASM
18	3290-360	2	Screw-HH	35	85-0290	2	Spacer-Pivot, Seat
19	95-5833	1	Guide-Lever	36	95-0647	1	Decal-Control
20	32121-73	1	Pin-Roll	37	3256-21	1	Washer-Flat



Valve Assembly No. 43-1710

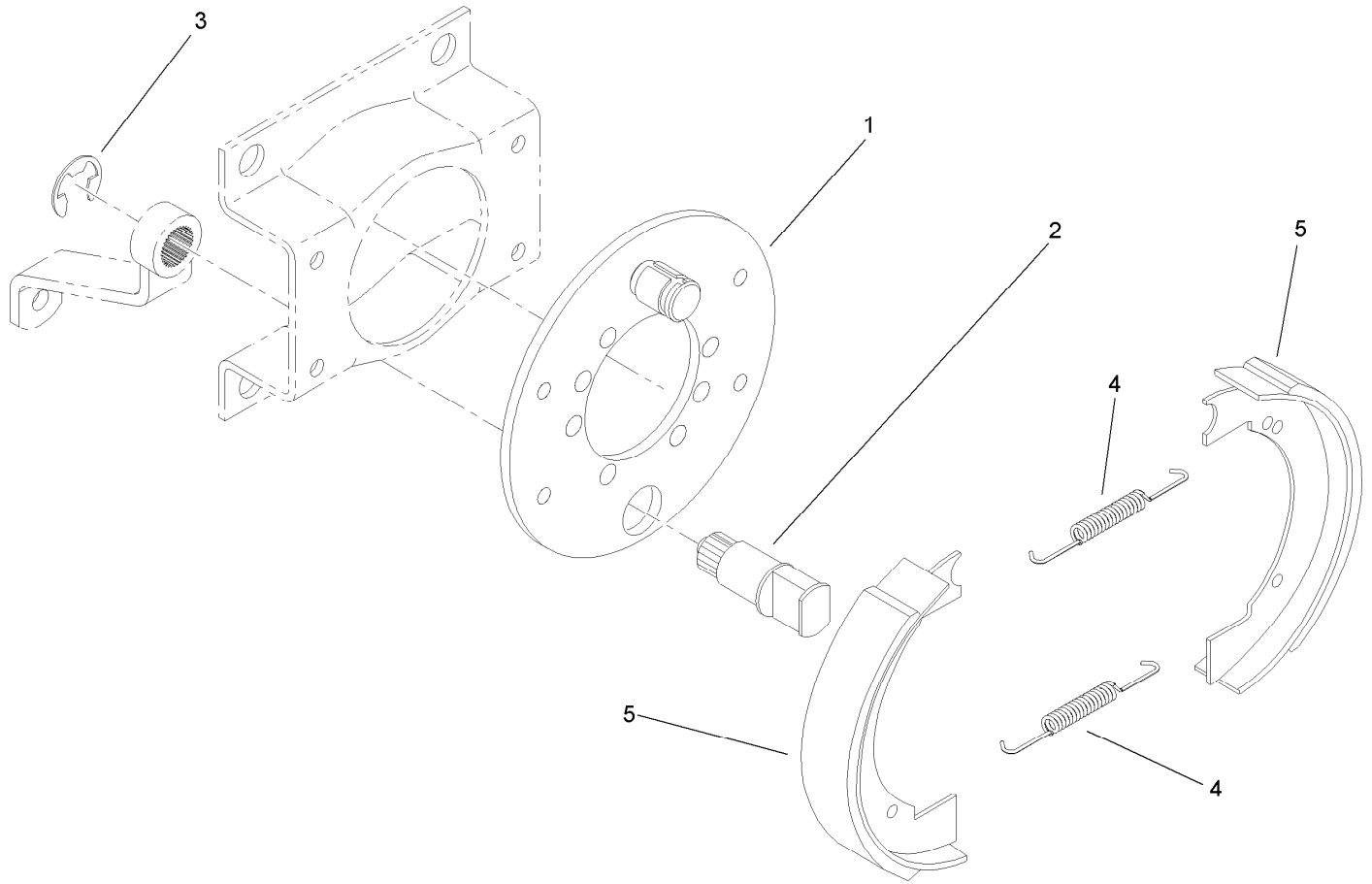
<i>Ref.</i>	<i>Part Number</i>	<i>Qty.</i>	<i>Description</i>
2	237-42	2	O-Ring
3	22-8330	2	Plug
4	22-8340	2	Spring
5	22-8350	2	Ball
6	22-8360	2	Pin
7	22-8370	2	Seat-Valve
8	22-8380	1	Retainer
9	22-8490	1	Ring-Snap
10	22-8480	1	Ring-Snap
11	22-8390	1	Retainer
12	22-8400	1	Spacer
13	22-8410	1	Spring
14	22-8420	1	Spool
15	22-8500	2	O-Ring



Brake Installation Assembly

Ref.	Part Number	Qty.	Description	Ref.	Part Number	Qty.	Description
1	3217-9	4	Nut-HH	12	26-3790	2	Nut-Lock
2	3253-7	8	Washer-Lock	13	283-1	2	Pin-Clevis
3	3296-42	8	Nut-Lock, NI	14	282-2	2	Yoke
4	84-2000-03	2	Bracket-Brake	15	3220-2	2	Nut-Jam
5	325-14	8	Screw-HH	16	84-1990	2	Rod-Adjusting
6	104-7705	2	Brake ASM	17	3272-10	2	Pin-Cotter
7	114-2726	2	Lever-Brake	19	92-1715	8	Spacer
8	321-4	8	Screw-HH	20	83-9310	2	RH Brake Lever ASM
9	17-8149	2	Wheel Hub ASM	21	3272-6	3	Pin-Cotter
9:1	85-6540	4	Stud-Drive	22	3234-1	4	Screw-HHF
9:2	93-6838-03	1	Hub-Wheel	23	27-2320	2	Bearing
9:3	10-6850	1	Drum-Brake	24	3256-24	4	Washer-Flat
10		2	Wheel And Tire ASM ●	25	3296-59	4	Nut-Lock, NI
10:1	232-35	1	Valve Stem And Cap ASM	26	32121-6	4	Pin-Roll, Slotted
10:2	85-8290	1	Tire-2Ply, Knobby	27	95-0625	1	Rod-Traverse
10:3	94-6116	1	Wheel-Rear	28	95-0628	1	Rod-Brake
11	242-50	8	Nut-Lug				

● Not serviced separately



Brake Assembly No. 104-7705

<i>Ref.</i>	<i>Part Number</i>	<i>Qty.</i>	<i>Description</i>
1	70-9870	1	Plate-Backing
2	104-7707	1	Shaft-Cam, Brake
3	104-7706	1	E-Ring, Bowed
4	70-9880	2	Spring-Return
5	70-9840	2	Shoe-Brake

Attachments and Accessories

For 08884 Sand Pro 2020 Traction Unit

Product Name	Model/Part
Rake-Tooth	08812
Rake-Spring.....	08813
Mounting Kit.....	08814
Weeder / Cultivator	08815
Front Blade Kit	08821
Drag Mat Kit.....	08850
Spiker	08856
Cyclone 1000 Debris Blower.....	08857
Debris Blower Installation Kit	08858
Chute-Discharge.....	08860
Finish Grader	08867
Red Gas Cap	107-2173
Yellow Hydraulic Fluid Cap (Tethered)	107-2174
Sand Blade 240	44900
Bar-Draw	92-2330
Screen-Arrestor, Spark.....	95-5819
CE Update Kit.....	95-5832

Notes:

Notes:



Count on it.