



Count on it.

Parts Catalog

11-Blade 27-inch DPA Cutting Unit

Reelmaster® 3100-D Series Traction Unit

Model No. 03183—Serial No. 311000001 and Up

Ordering Replacement Parts

To order replacement parts, please supply the part number, the quantity, and the description of each part desired.

Understanding Reference Numbers

Each identified part in an illustration has a reference number. The reference number for a part also appears in the parts list, along with other information about the part.

This catalog uses two special reference number formats, one to indicate parts in a service assembly and another to indicate the quantity of a given part in an illustration.

Service Assembly Reference Numbers

Parts in service assemblies have reference numbers in the form a:b. The a represents the reference number of the entire service assembly and the b represents a sequential number unique to each part within the service assembly.

For example, a wheel assembly might be identified by reference number 6, the tire by 6:1, the valve by 6:2, and the wheel by 6:3. When you order the assembly identified by reference number 6, you receive all parts identified by reference numbers 6:1, 6:2, and 6:3. However, you may also order any part individually. Reference numbers of this type appear in illustration and in parts lists.

Reference Numbers Indicating Quantity

In an illustration, if a reference number indicates more than one part, the reference number has the form nX y. The n represents the quantity of the part, the X is the multiplication symbol, and the y represents the reference number.

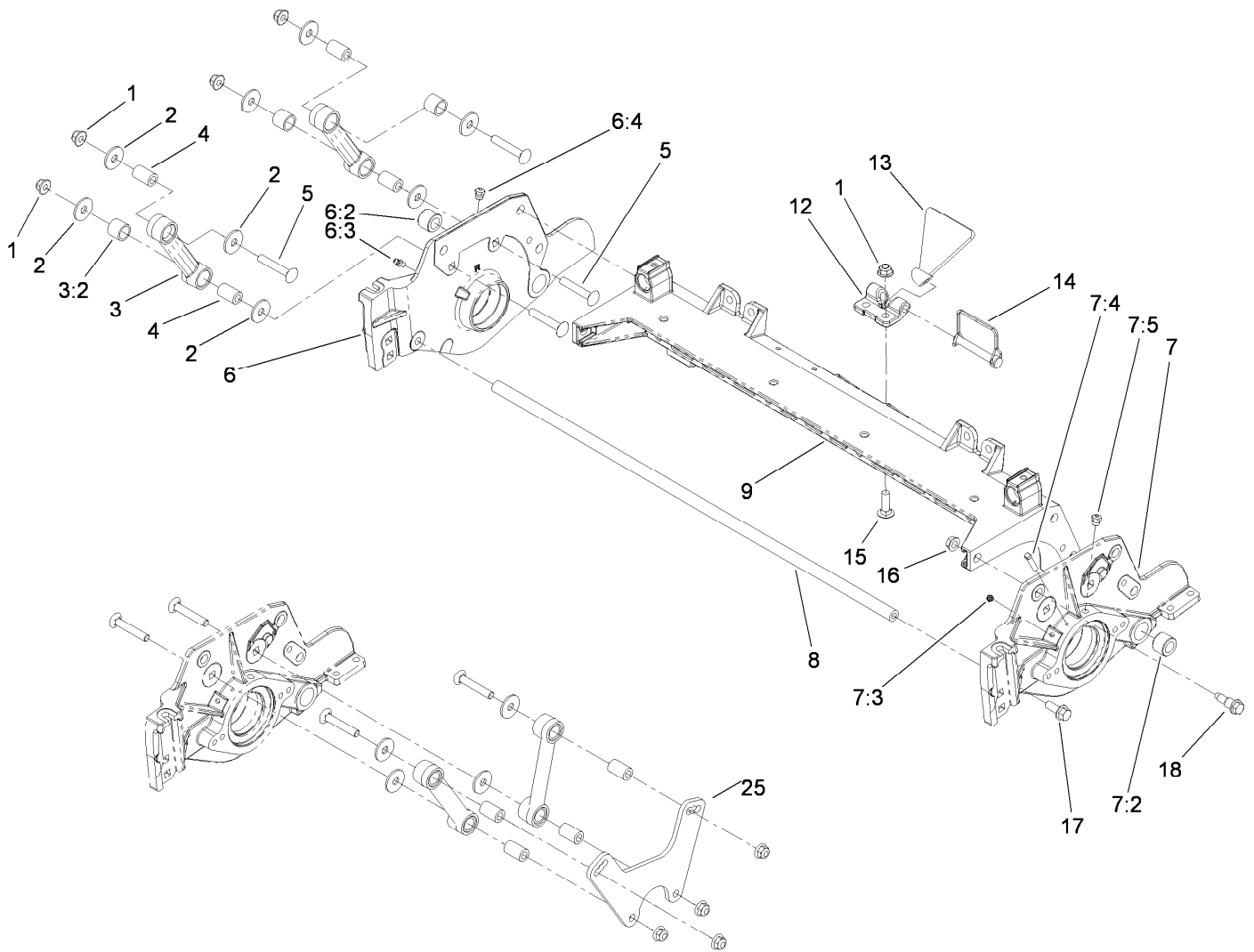
For example, in an illustration, the reference number 2X 37 means that two of the parts identified by reference number 37 are indicated.

List of Abbreviations

AR: as required	HOC: height-of-cut	RRB: rear roller brush
ASM: assembly	HSBH: hex socket button head	SFH: slotted fillister head
BBC: blade brake control	HSFH: hex socket flat head	SHH: slotted hex head
BHTF: button head thread forming	HSH: hex socket head	SHWH: slotted hex washer head
CARR: carriage	HWH: hex washer head	SPH: slotted pan head
CCW: counter clockwise	HWTF: hex washer head thread forming	SQH: square head
CW: clockwise	HYD: hydraulic	SRH: slotted round head
DEG: degrees	LH: left hand	STD: standard
DPA: Dual Point Adjustment	LP: Liquid Propane	TAP: self tapping
ECM: electronic control module	NI: nylon insert	TTH: torx truss head
EXT: external	NPTF: national pipe thread fine	
FH: flat head	PFH: phillips flat head	
GA: gauge	PPH: phillips pan head	
HD: heavy-duty	PPHTF: phillips pan head thread forming	
HF: hex flange	PRH: phillips round head	
HH: hex head	PTH: phillips truss head	
HHF: hex head flange	PTO: power-take-off	
HHFTF: hex head flange thread forming	RH: right hand	
HJ: hex jam	ROPS: roll-over protection system	
HLH: hex lag head		

Contents

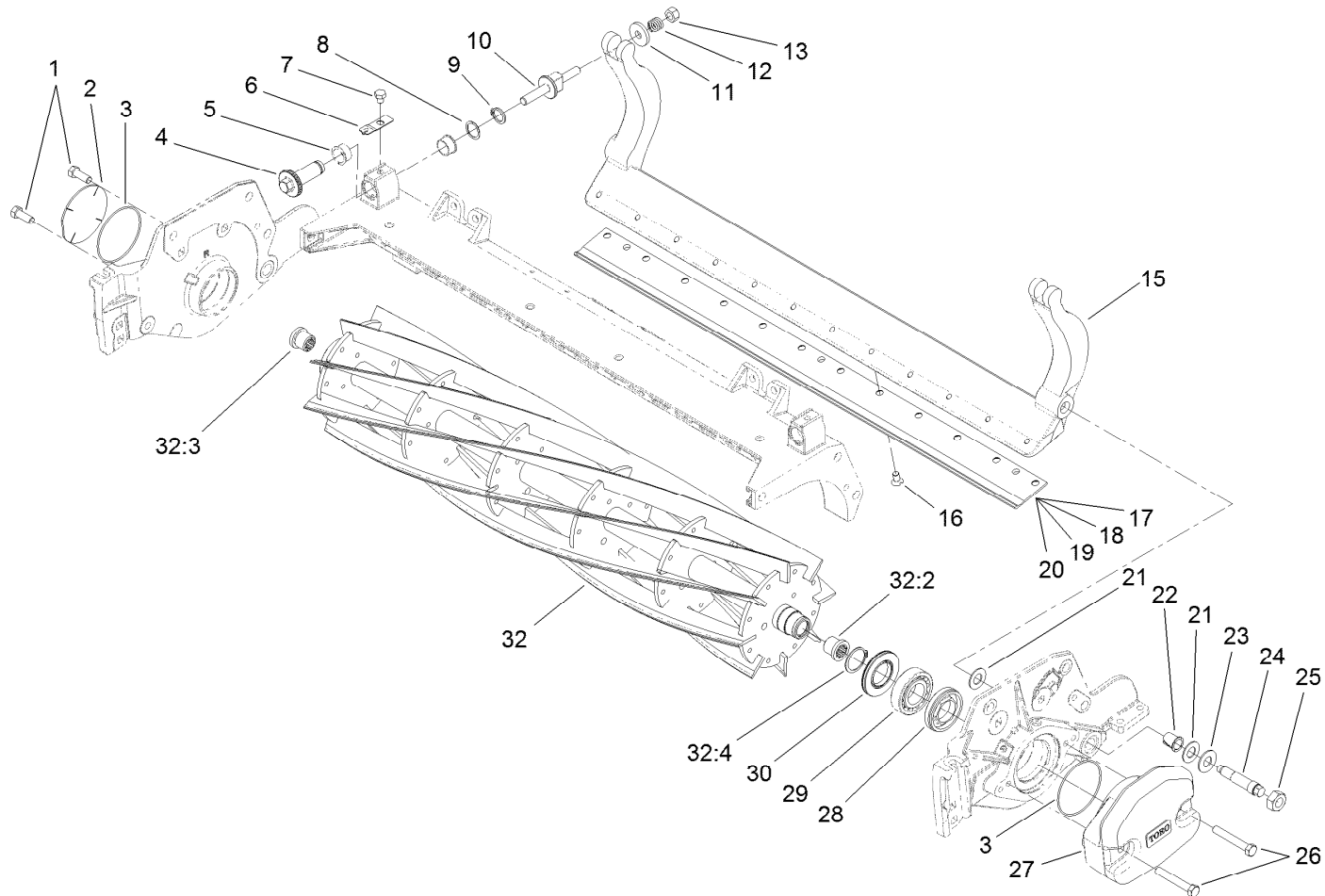
- Frame Assembly..... 4
- Reel and Bedbar Assembly 5
- Front and Rear Roller Assembly 6
- Long Roller Assembly No. 112-8915..... 7
- Optional Full Front Roller Assembly No. 114-9383..... 8
- Wiehle Roller Assembly No. 117-0960..... 9
- Optional Shoulder Roller Assembly No. 119-0630 10
- High Height-of-Cut Assembly No. 110-9600 11
- Shield Assembly..... 12
- Tool Assembly..... 13
- Attachments and Accessories 14



Frame Assembly

Ref.	Part Number	Qty.	Description	Ref.	Part Number	Qty.	Description
1	104-8301	10	Nut-Flange, NI	7:4	107-7447	1	Screw-Set, SQH
2	93-8806	16	Washer-Hardened	7:5	302-39	1	Fitting-Plug
3	16-9759	4	Link ASM	8	112-8936	1	Tube-Support
3:2	94-8945	2	Bushing	9	112-8935	1	Frame-Center
4	93-6981	8	Spacer	12	110-4058	1	Bracket-Chain
5	3231-40	8	Bolt-CARR	13	119-8010-03	1	Kickstand ●
6	115-4263	1	Plate-Side, RH	14	107-7400	1	Pin-Snapper ●
6:2	106-9618	1	Rubber Bushing ASM	15	3231-25	2	Screw-CARR
6:3	302-5	1	Fitting-Grease	16	3290-357	6	Nut-HHF, Whiz
6:4	302-39	1	Fitting-Plug	17	3234-11	2	Screw-HHF
7	115-4260	1	Plate-Side, LH	18	107-2979	6	Bolt-Shoulder
7:2	106-9618	1	Rubber Bushing ASM	25	119-0646-03	2	Plate-Fixed (High HOC) ●
7:3	302-5	1	Fitting-Grease				

● Optional Equipment

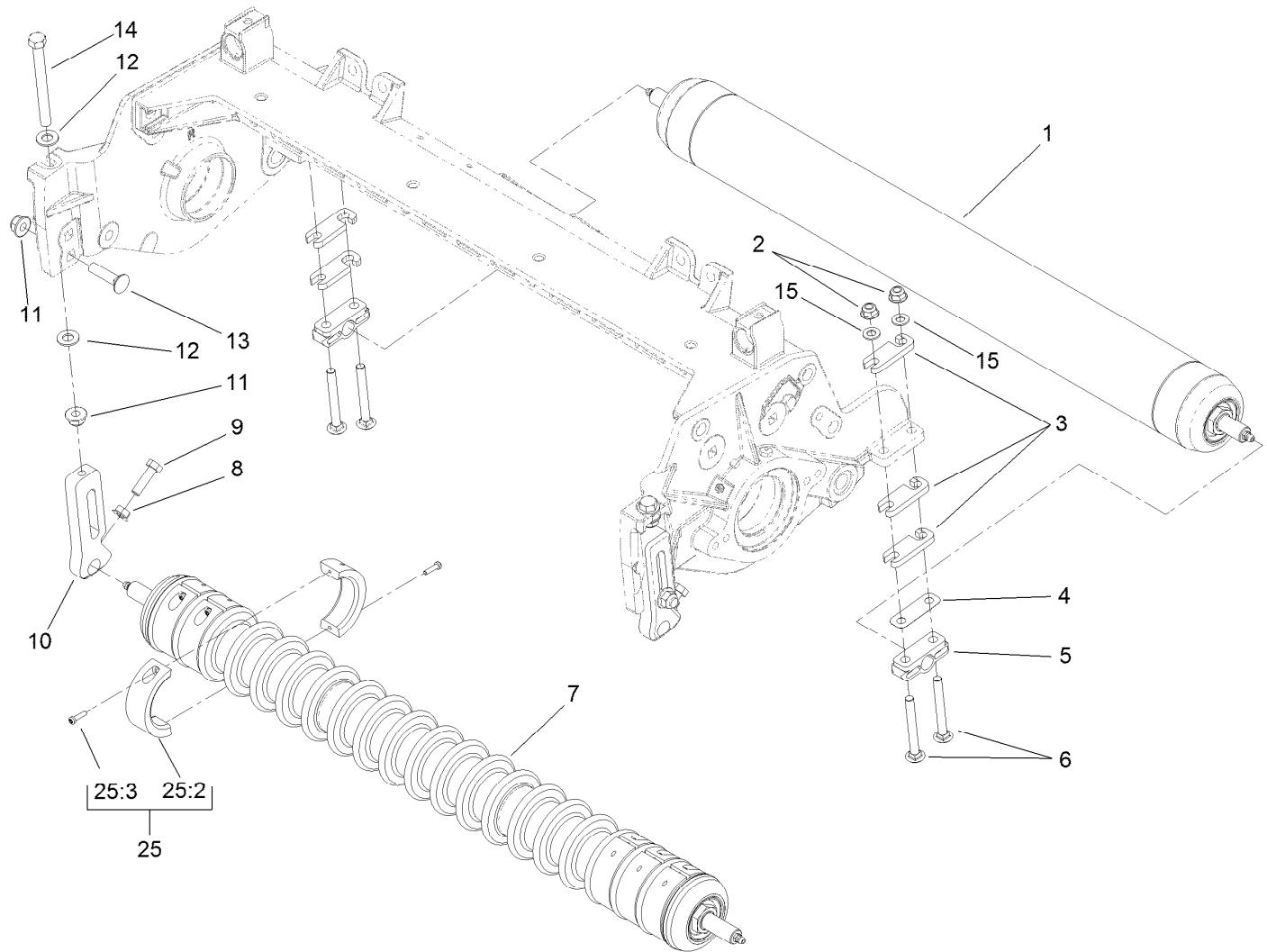


Reel and Bedbar Assembly

Ref.	Part Number	Qty.	Description	Ref.	Part Number	Qty.	Description
1	323-6	2	Screw-HH	19	114-9390	1	Bedknife-HD (Fairway) ●■
2	94-2703	1	Plug	20	120-1641	1	Bedknife-Low HOC EXT ●■
3	112-6967	2	O-Ring	21	61-1950	4	Washer-Plastic
4	106-5363	2	Shaft-Adjuster	22	56-9520	2	Bushing-Flanged
5	106-5344	4	Bushing-Flange, Keyed	23	69-8980	2	Washer
6	99-2097	2	Detent	24	106-9623	2	Bolt-Bedbar
7	114-9396	2	Capscrew-HH	25	3296-33	2	Nut-Lock, NI
8	106-5335	2	Washer-Wave	26	323-12	2	Screw-HH
9	32120-93	2	Ring-Retaining	27	119-0614-01	1	Weight-End
10	99-2096	2	Screw-Adjuster, Bedbar	28	107-2954	1	Nut-Adjuster, Bearing
11	99-2098	2	Washer	29	93-2489	2	Bearing
12	99-3755	2	Spring-Compression	30	107-4028	2	Seal-Grease
13	33025-00	2	Nut-Lock, NI	32	115-8278	1	11 Blade Reel ASM 27" (Service)
15	112-8908-01	1	Bedbar	32:2	107-3276	1	Insert-Threaded, LH
16	57-4910	10	Screw-Special	32:3	107-3275	1	Insert-Threaded, RH
17	114-9388	1	Bedknife-STD (Fairway)	32:4	92-2601	2	Ring-Retaining
18	112-8910	1	Bedknife-Edgemax ●■				

● Not illustrated

■ Optional Equipment

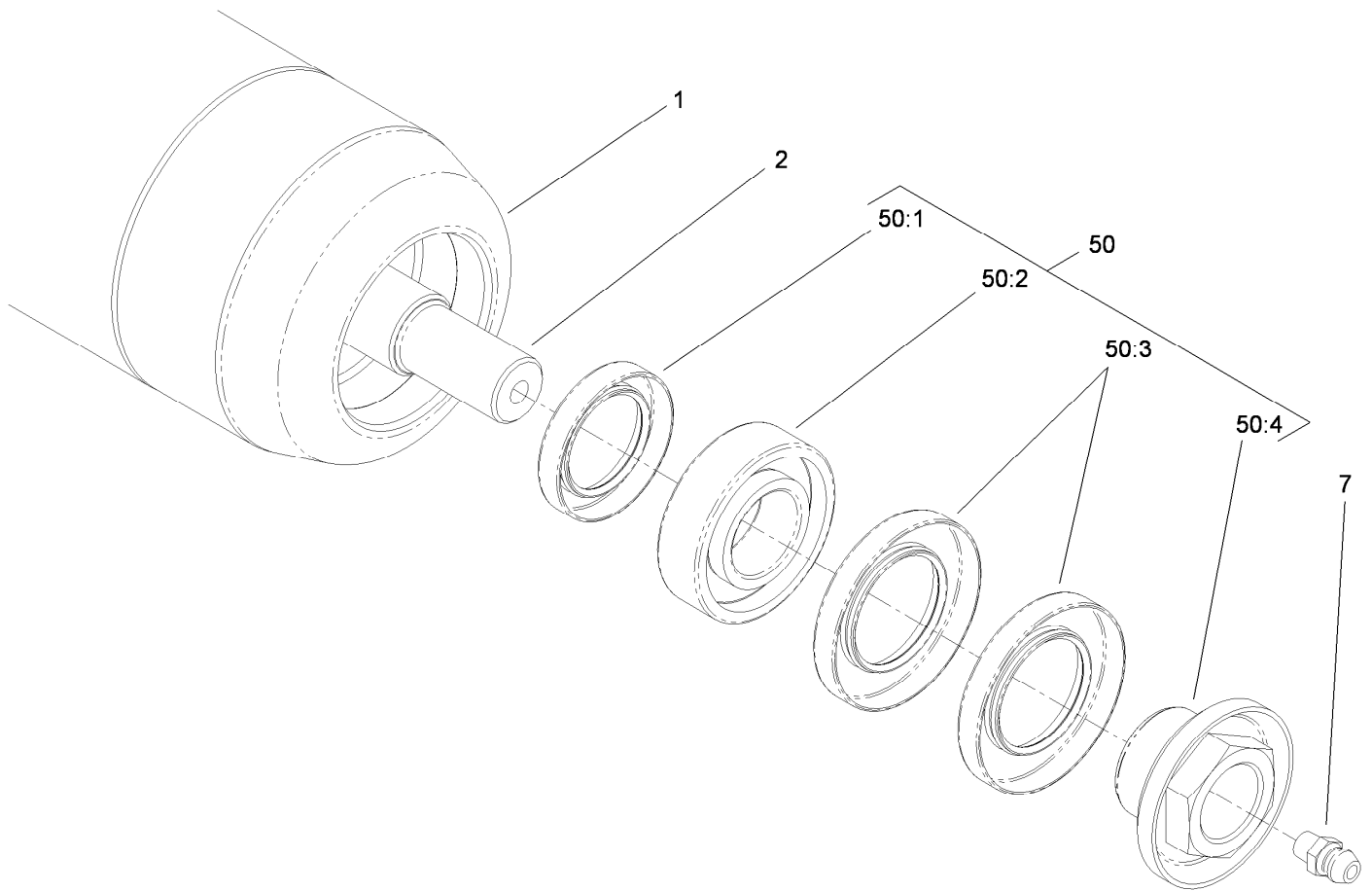


Front and Rear Roller Assembly

Ref.	Part Number	Qty.	Description	Ref.	Part Number	Qty.	Description
1	112-8915	1	Rear Roller ASM (3-Inch Dia)	8	32128-20	2	Nut-HF
2	104-8300	4	Nut-Flange, NI	9	322-16	2	Screw-HH
3	119-0626	6	Shim-Roller	10	107-2952	2	Bracket-HOC, Front
4	107-4001	2	Shim-Roller (0.01) ■	11	104-8301	4	Nut-Flange, NI
5	106-3924	2	Bracket-Roller, Rear	12	48-9220	4	Washer
6	3230-9	4	Screw-CARR	13	3231-4	2	Screw-CARR
7	114-9383	1	Full Front Roller ASM (3-Inch Dia) ● ■	14	107-4026	2	Screw-HH
7	117-0960	1	Plastic Wiehle Roller ASM	15	94-6936	4	Washer-Hardened
7	119-0630	1	Plastic Shoulder Roller ASM ● ■	25	119-0649	6	Trim/HD Collar Kit ■
				25:2	119-1604	2	Collar-Trim/HD
				25:3	104-1835	2	Screw
				50	110-9600	1	DPA High HOC Kit ● ■

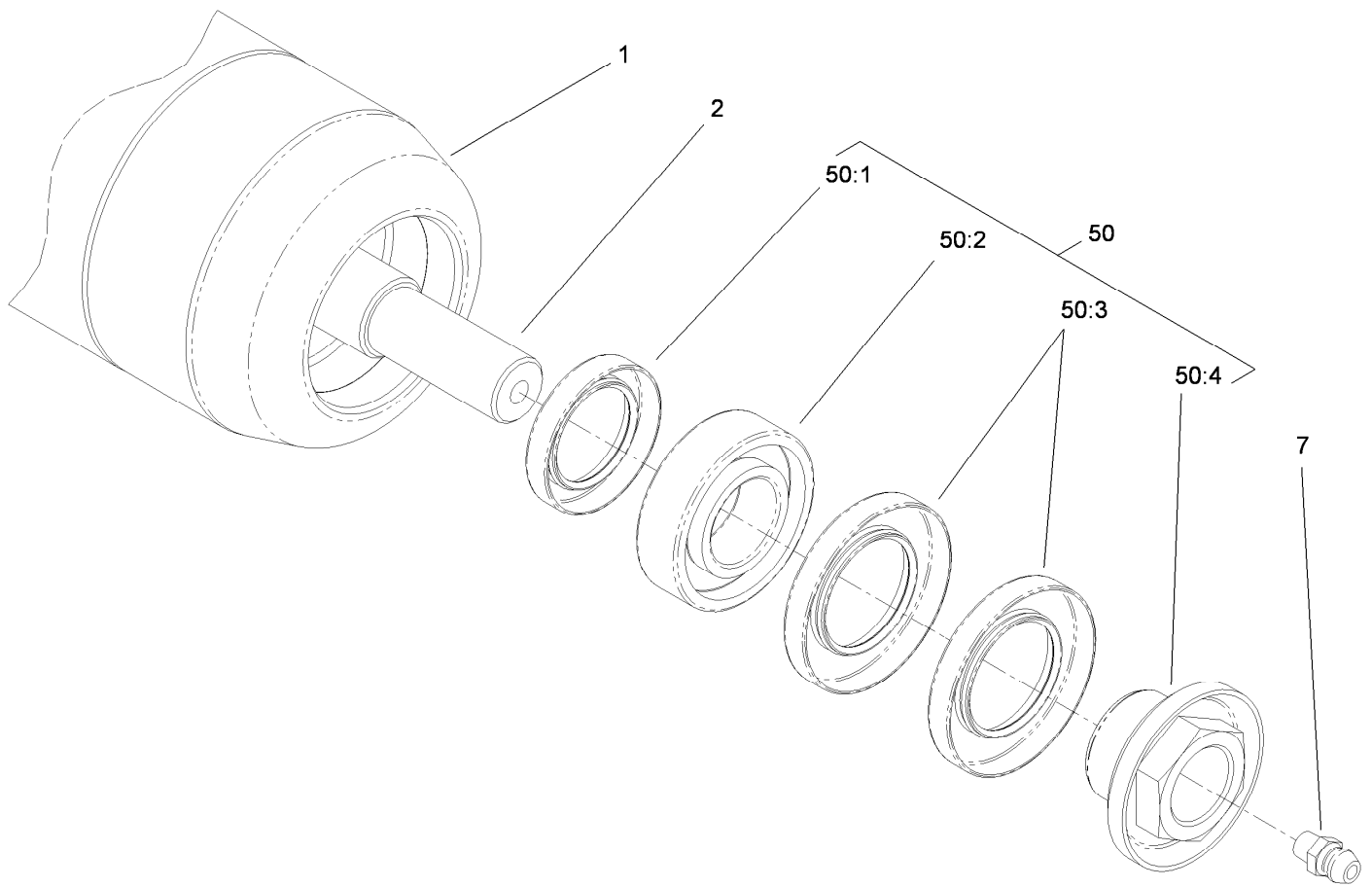
● Not illustrated

■ Optional Equipment



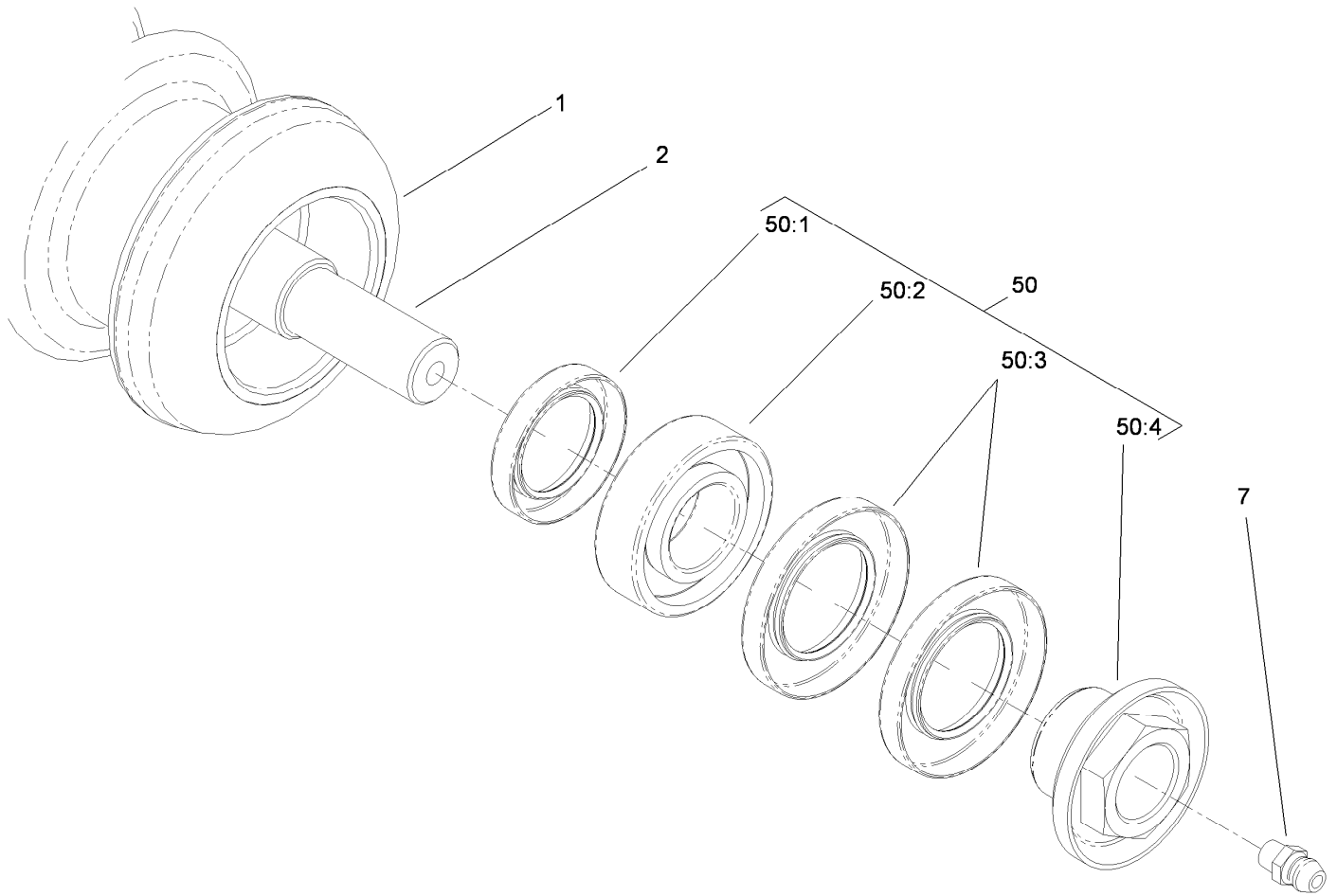
Long Roller Assembly No. 112-8915

<i>Ref.</i>	<i>Part Number</i>	<i>Qty.</i>	<i>Description</i>
1	112-8916-03	1	Long Roller Tube ASM
2	112-8918	1	Shaft-Long, Rear Roller
7	302-5	2	Fitting-Grease
50	114-5430	1	Roller Rebuild Kit
50:1	114-3717	2	Seal-Oil
50:2	112-5290	2	Bearing-Steel, Stainless
50:3	112-7494	4	Seal
50:4	114-5411	2	Nut-Lock, Bearing



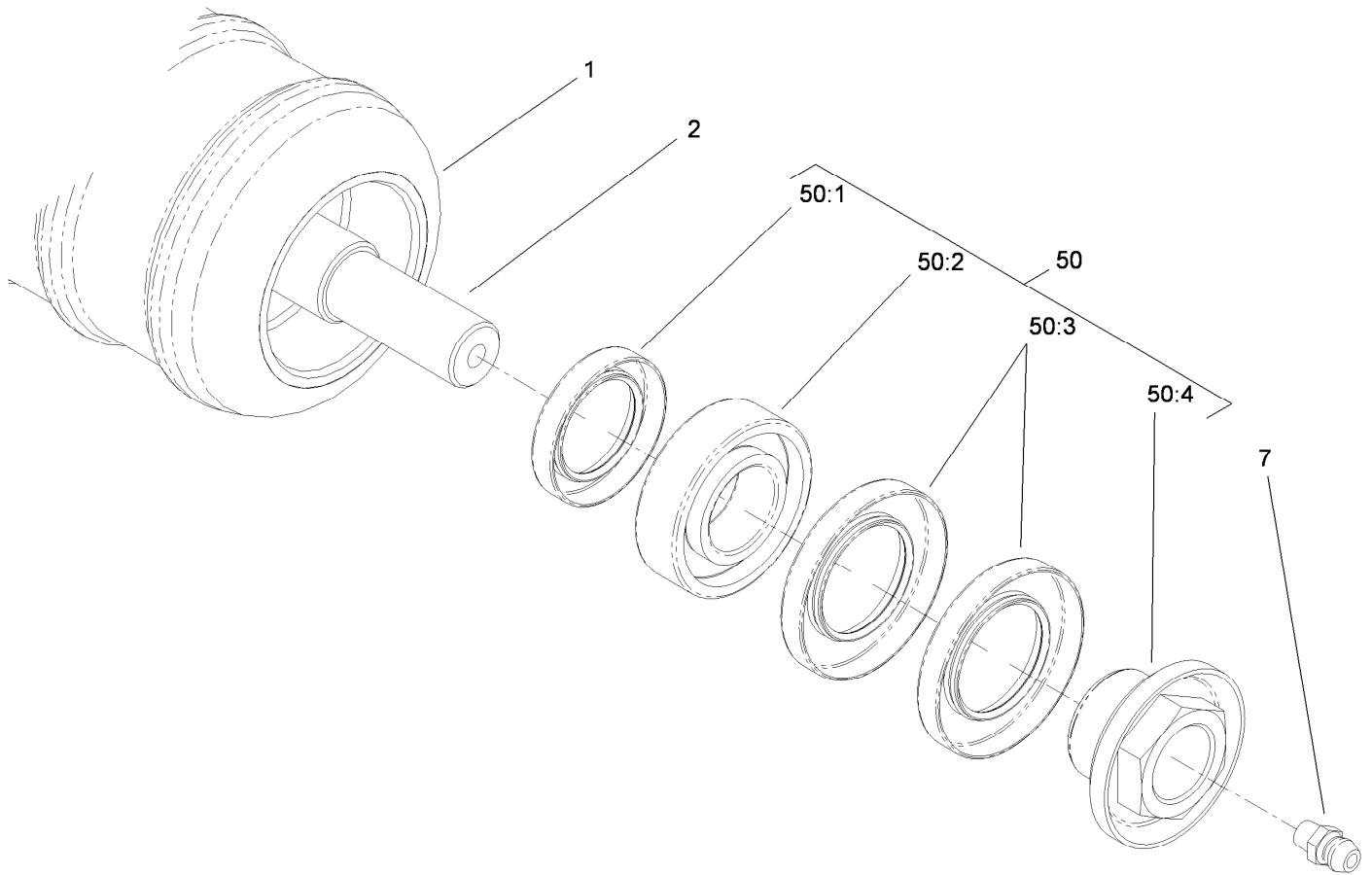
Optional Full Front Roller Assembly No. 114-9383

<i>Ref.</i>	<i>Part Number</i>	<i>Qty.</i>	<i>Description</i>
1	112-8916-03	1	Long Roller Tube ASM
2	117-0957	1	Shaft-Roller, Wiehle
7	302-5	2	Fitting-Grease
50	114-5430	1	Roller Rebuild Kit
50:1	114-3717	2	Seal-Oil
50:2	112-5290	2	Bearing-Steel, Stainless
50:3	112-7494	4	Seal
50:4	114-5411	2	Nut-Lock, Bearing



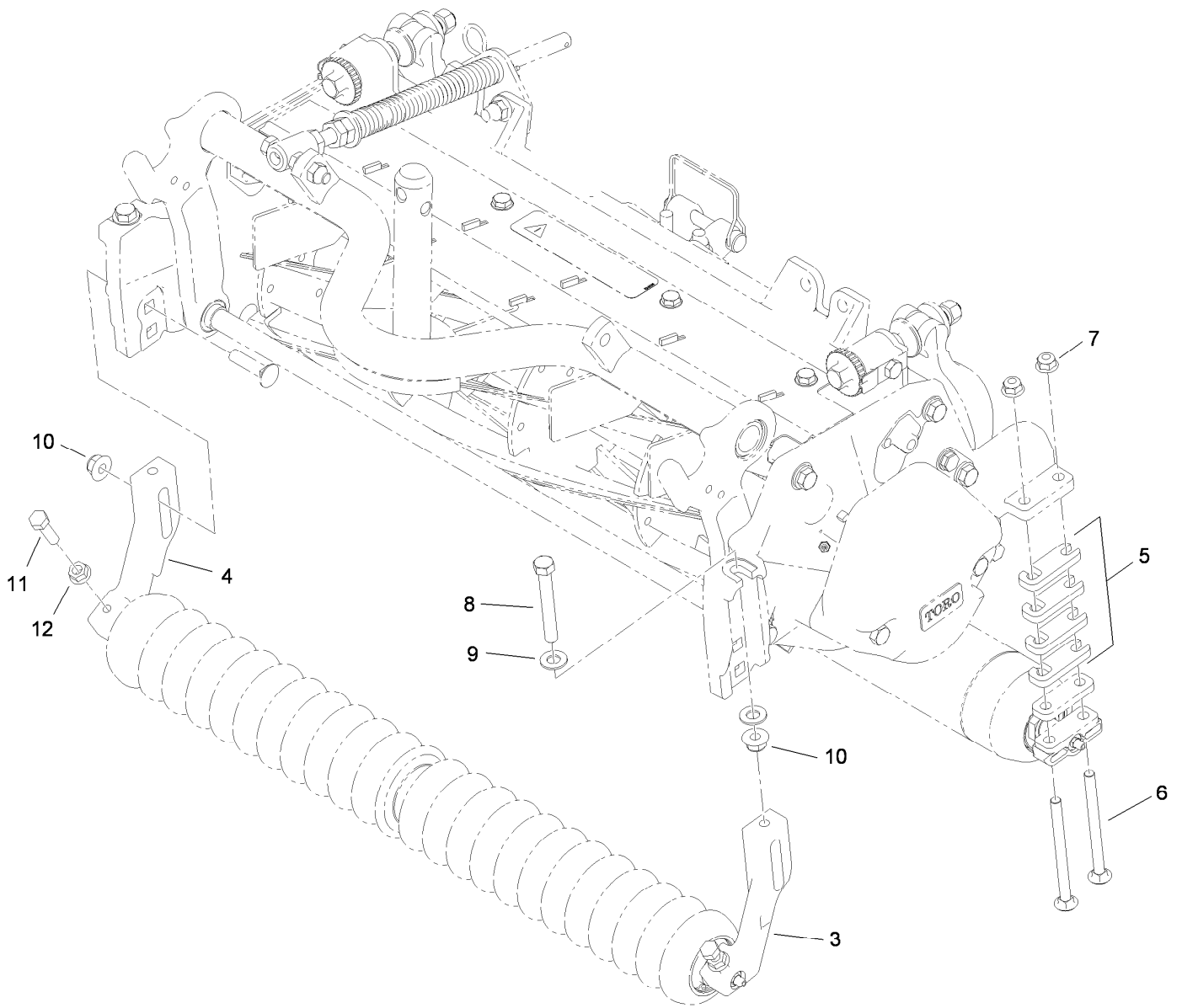
Wiehle Roller Assembly No. 117-0960

<i>Ref.</i>	<i>Part Number</i>	<i>Qty.</i>	<i>Description</i>
1	117-0959	1	Roller-Wiehle, Plastic
2	117-0957	1	Shaft-Roller, Wiehle
7	302-5	2	Fitting-Grease
50	114-5430	1	Roller Rebuild Kit
50:1	114-3717	2	Seal-Oil
50:2	112-5290	2	Bearing-Steel, Stainless
50:3	112-7494	4	Seal
50:4	114-5411	2	Nut-Lock, Bearing



Optional Shoulder Roller Assembly No. 119-0630

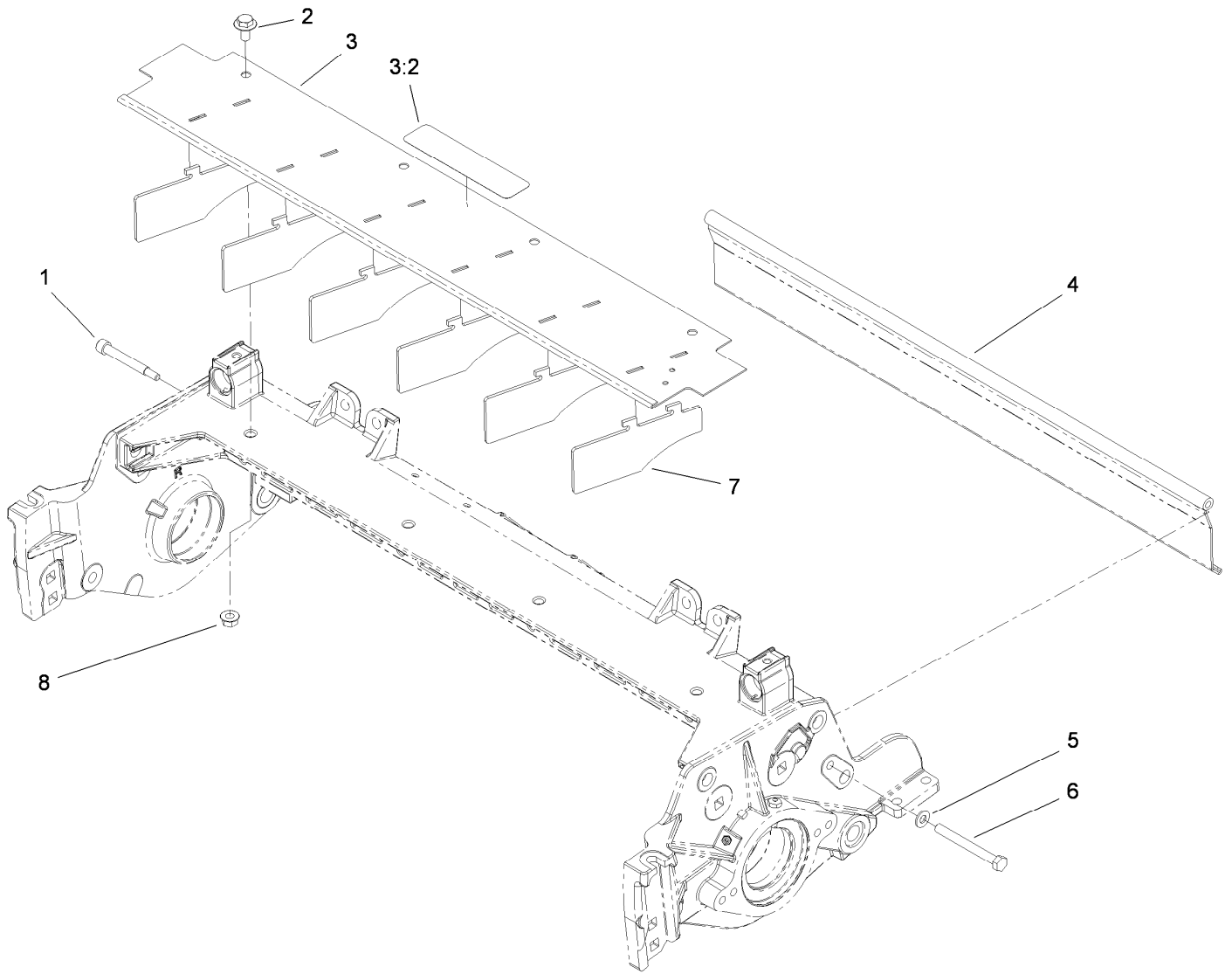
<i>Ref.</i>	<i>Part Number</i>	<i>Qty.</i>	<i>Description</i>
1	119-0631	1	Roller-Shoulder, Plastic
2	117-0957	1	Shaft-Roller, Wiehle
7	302-5	2	Fitting-Grease
50	114-5430	1	Roller Rebuild Kit
50:1	114-3717	2	Seal-Oil
50:2	112-5290	2	Bearing-Steel, Stainless
50:3	112-7494	4	Seal
50:4	114-5411	2	Nut-Lock, Bearing



High Height-of-Cut Assembly No. 110-9600

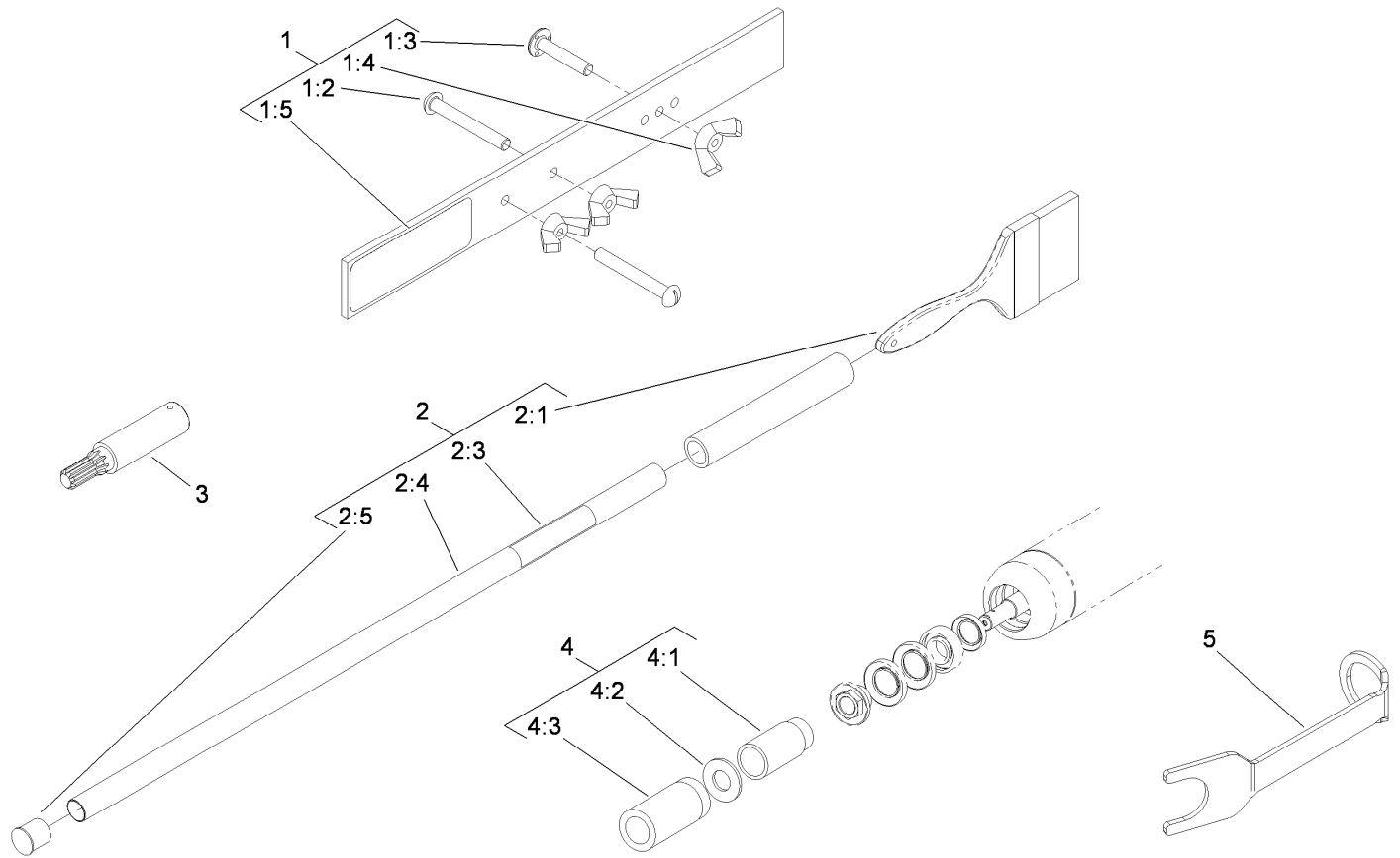
Ref.	Part Number	Qty.	Description
3	120-0404	1	Bracket-High HOC (LH)
4	120-0405	1	Bracket-High HOC (RH)
5	119-0626	8	Shim-Roller
6	106-9758	4	Screw-CARR
6	3230-30	4	Screw-CARR ●
7	104-8300	4	Nut-Flange, NI
8	112-7451	2	Screw-TAP
9	48-9220	4	Washer
10	104-8301	4	Nut-Flange, NI
11	322-16	2	Screw-HH
12	32128-20	2	Nut-HF

● Optional Equipment



Shield Assembly

<i>Ref.</i>	<i>Part Number</i>	<i>Qty.</i>	<i>Description</i>
1	107-7773	1	Screw-HSH
2	3234-7	4	Screw-HHF
3	112-8942	1	Front Grass Shield ASM
3:2	93-6688	1	Decal-Danger
4	112-8944-01	1	Rear Grass Shield ASM
5	3256-74	1	Washer-Flat
6	322-14	1	Screw-HH
7	110-1706	6	Deflector
8	32128-20	4	Nut-HF



Tool Assembly

<i>Ref.</i>	<i>Part Number</i>	<i>Qty.</i>	<i>Description</i>	<i>Ref.</i>	<i>Part Number</i>	<i>Qty.</i>	<i>Description</i>
1	108-6715	1	Gauge Bar ASM	2:5	2410-18	1	Cap-Plastic
1:2	32122-54	2	Screw-Head, Truss	3	TOR4074	1	Adapter-Drive, Reel ●
1:3	108-6714	1	Stud-Weld	4	115-0803	1	Roller Rebuild Tool Kit
1:4	32103-3	3	Nut-Wing	4:1	115-0852	1	Tool-Inner Seal
1:5	108-6712	1	Decal-Gauge, Bar	4:2	107-8133	1	Washer-Flat
2	29-9100	1	Brush And Handle ASM	4:3	115-0853	1	Tool-Bearing/Outer Seals
2:1	36-4310	1	Brush	5	117-0975	1	Tool-Installation, Reel Bearing
2:3	98-3206	1	Decal				
2:4	29-9080	1	Handle				

● Obtain directly from OTC, 2013 4th Street, Owatonna, MN 55060, 1-800-533-0492 (in Minnesota and Canada 1-507-455-7050) Fax: 507-455-7011.

Attachments and Accessories

For 03183 11-Blade 27-inch DPA Cutting Unit Reelmaster 3100-D Series Traction Unit

Product Name	Model/Part
27in Verticutter.....	03184
Basket Kit	03185
27 inch Rear Roller Brush Kit.....	03186
Turf Evaluator	04399
Gauge Bar Assembly.....	108-6715
Groomer/RRB Bearing and Seal Kit.....	110-4086
High Height-of-Cut Kit.....	110-9600
27 inch Bedknife-Edgemax.....	112-8910
Roller Rebuild Kit.....	114-5430
Rear Roller Scraper Kit.....	114-9368
Wiehle Scraper ASM	114-9372-03
Comb/Scraper Kit	114-9376
Shoulder Scraper ASM.....	114-9381-03
Full Front Roller ASM (3-inch dia).....	114-9383
Full Front Roller Scraper ASM (3-inch dia).....	114-9386-03
Bedknife-HD	114-9390
Roller Rebuild Tool Kit.....	115-0803
Brush-Roller (High HOC)	115-0838
Reel Bearing Installation Tool	117-0975
Plastic Shoulder Roller ASM.....	119-0630
Roller Tipper Kit.....	119-0635
Fixed Plate (High HOC)	119-0646-03
Trim/Heavy-Duty Collar Kit	119-0649
Cutting Unit Kickstand	119-8010-03
Low HOC Extended Bedknife	120-1641
Brush and Handle Kit.....	29-9100
Reel Drive Adapter	TOR4074

Notes:



Count on it.