



Count on it.

Parts Catalog

**TITAN ZX4800 Zero-Turn-Radius
Riding Mower**

Model No. 74912—Serial No. 31000001 and Up

Ordering Replacement Parts

To order replacement parts, please supply the part number, the quantity, and the description of each part desired.

Understanding Reference Numbers

Each identified part in an illustration has a reference number. The reference number for a part also appears in the parts list, along with other information about the part.

This catalog uses two special reference number formats, one to indicate parts in a service assembly and another to indicate the quantity of a given part in an illustration.

Service Assembly Reference Numbers

Parts in service assemblies have reference numbers in the form a:b. The a represents the reference number of the entire service assembly and the b represents a sequential number unique to each part within the service assembly.

For example, a wheel assembly might be identified by reference number 6, the tire by 6:1, the valve by 6:2, and the wheel by 6:3. When you order the assembly identified by reference number 6, you receive all parts identified by reference numbers 6:1, 6:2, and 6:3. However, you may also order any part individually. Reference numbers of this type appear in illustration and in parts lists.

Reference Numbers Indicating Quantity

In an illustration, if a reference number indicates more than one part, the reference number has the form nX y. The n represents the quantity of the part, the X is the multiplication symbol, and the y represents the reference number.

For example, in an illustration, the reference number 2X 37 means that two of the parts identified by reference number 37 are indicated.

List of Abbreviations

AR: as required

ASM: assembly

BBC: blade brake control

BHTF: button head thread forming

CARR: carriage

CCW: counter clockwise

CW: clockwise

DEG: degrees

DPA: Dual Point Adjustment

ECM: electronic control module

EXT: external

FH: flat head

GA: gauge

HD: heavy-duty

HF: hex flange

HH: hex head

HHF: hex head flange

HHFTF: hex head flange thread forming

HJ: hex jam

HLH: hex lag head

HOC: height-of-cut

HSBH: hex socket button head

HSFH: hex socket flat head

HSH: hex socket head

HWH: hex washer head

HWTF: hex washer head thread forming

HYD: hydraulic

LH: left hand

LP: Liquid Propane

NI: nylon insert

NPTF: national pipe thread fine

PFH: phillips flat head

PPH: phillips pan head

PPHTF: phillips pan head thread forming

PRH: phillips round head

PTH: phillips truss head

PTO: power-take-off

RH: right hand

ROPS: roll-over protection system

RRB: rear roller brush

SFH: slotted fillister head

SHH: slotted hex head

SHWH: slotted hex washer head

SPH: slotted pan head

SQH: square head

SRH: slotted round head

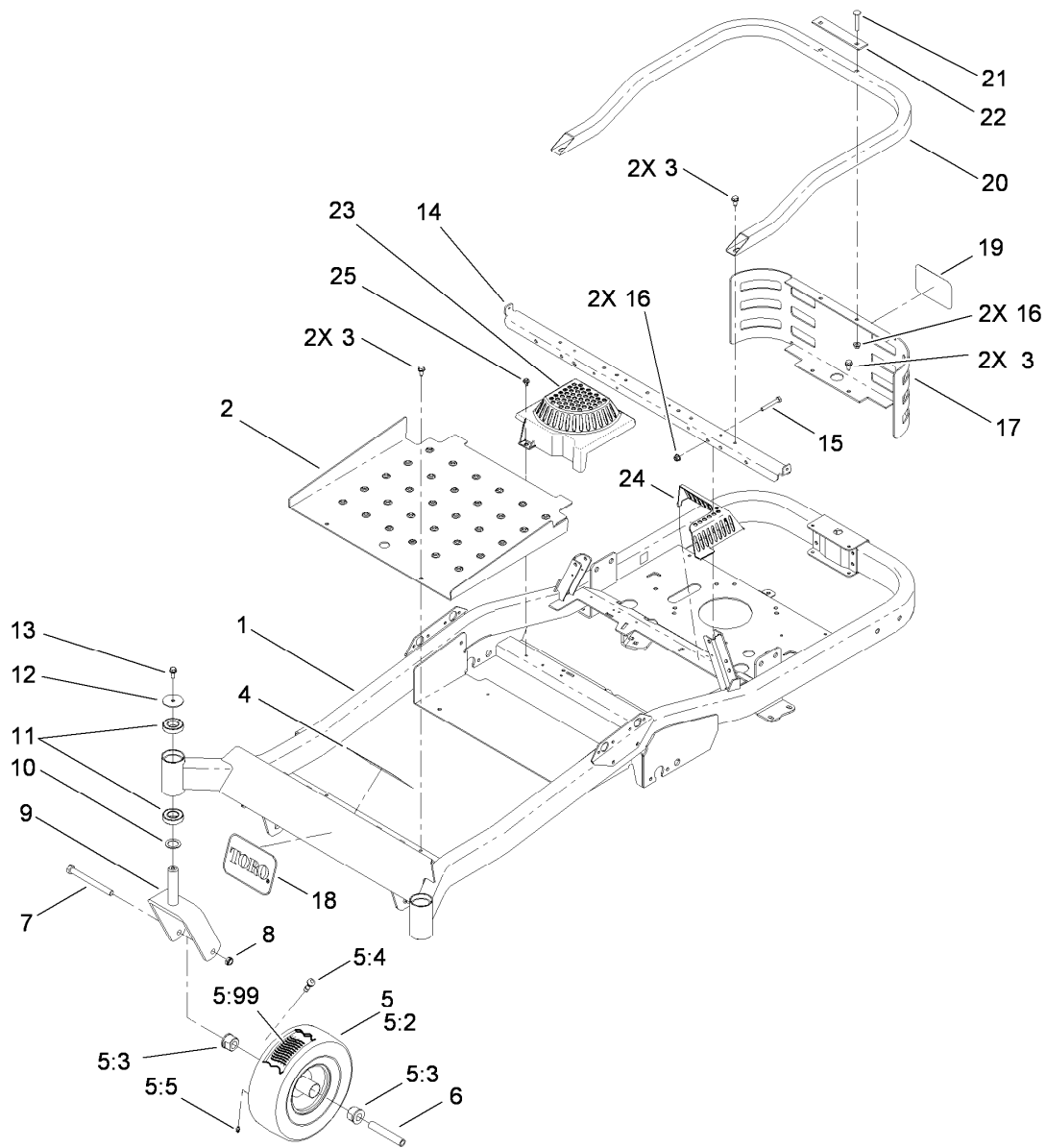
STD: standard

TAP: self tapping

TTH: torx truss head

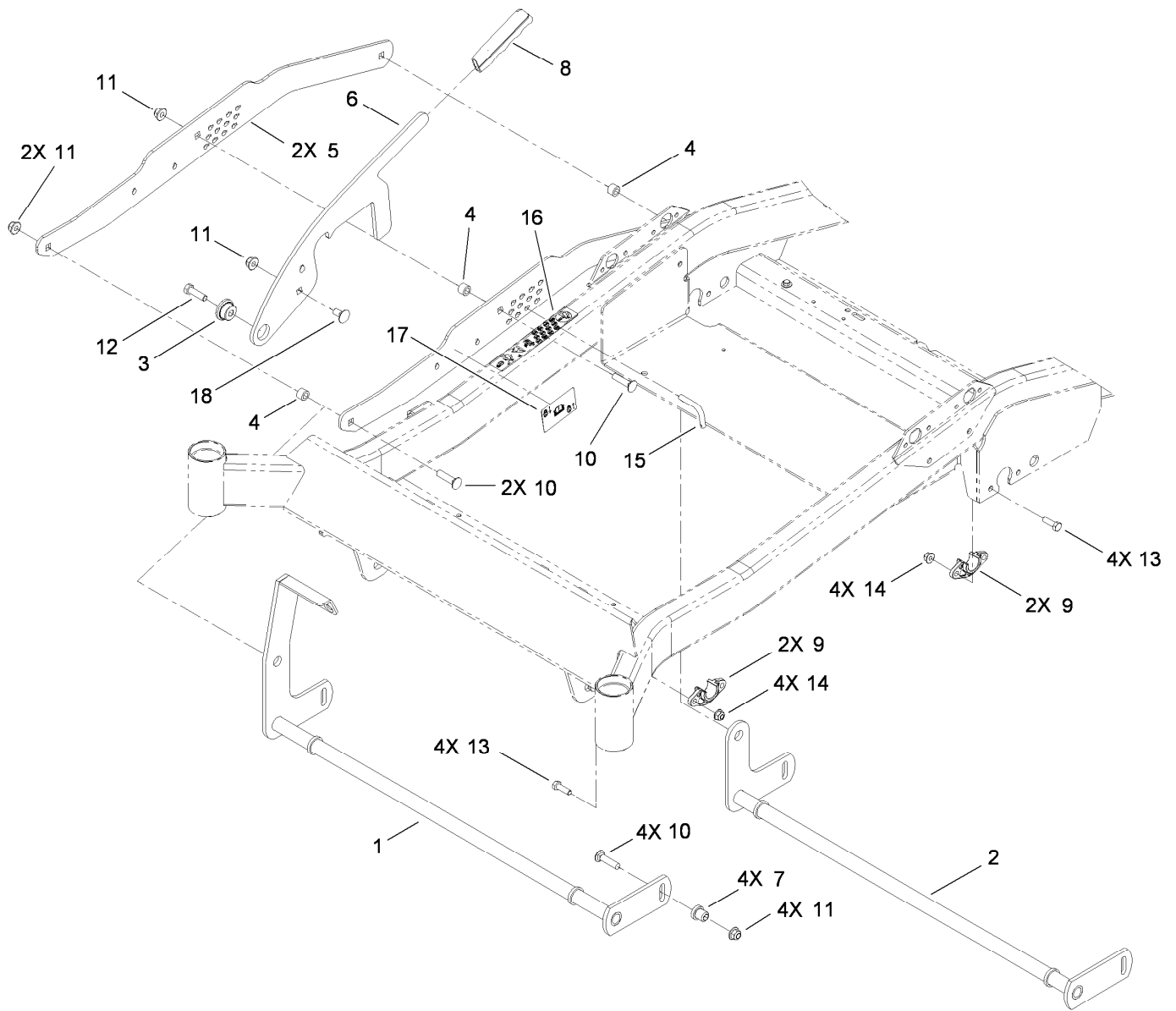
Contents

Main Frame and Front Caster Wheel Assembly	4
Deck Lift Assembly	5
Motion Control Assembly	6
Parking Brake Assembly	7
Handle Control Assembly	8
Seat Assembly	9
Engine and Blade Assembly	10
Traction Drive Assembly	11
RH Hydro Assembly No. 115-2550	12
LH Hydro Assembly No. 115-2551	14
Fuel Delivery System	16
Body and Styling Assembly	17
Electrical Assembly	18
48 Inch Deck Assembly	19
48 Inch Deck Decal Assembly No. 119-3383	20
48 Inch Baffle Assembly	21
48 Inch Deck Belt and Spindle Assembly	22
Attachments and Accessories	23



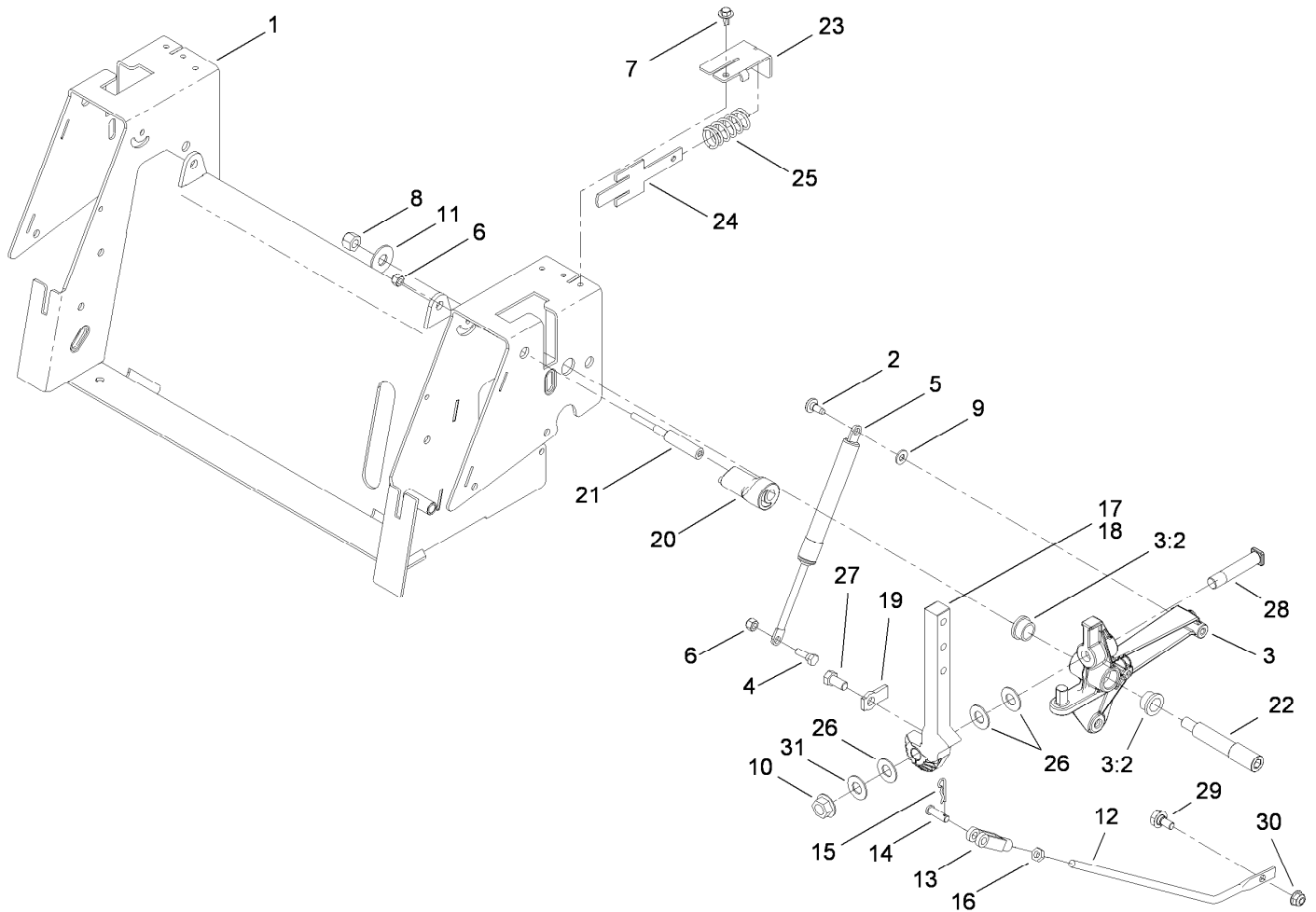
Main Frame and Front Caster Wheel Assembly

Ref.	Part Number	Qty.	Description	Ref.	Part Number	Qty.	Description
1	117-7356-01	1	Frame ASM	11	109-3678	4	Bearing-Ball
2	115-2531-05	1	Pan-Floor	12	109-3724	2	Washer
3	32144-70	6	Screw-HWHTF	13	3234-47	2	Screw-HHF
4	109-8965	1	Decal-Safety	14	115-2566-03	1	Support-Seat
5	115-2554	2	Wheel And Tire ASM	15	322-11	2	Screw-HH
5:2	115-2557	1	Tire-Smooth	16	104-8300	4	Nut-Flange, NI
5:3	114-1640	2	Bushing-Flange	17	115-2632-03	1	Guard-Rear, Shield
5:4	232-27	1	Stem-Valve	18	62-5550	1	Decal
5:5	302-5	1	Fitting-Grease	19	105-8278	1	Decal
5:99	117-1234	1	Tube-Inner	20	115-2565-01	1	Guard-Rear, Tube
6	104-3667	2	Spanner-Wheel	21	3230-6	2	Screw-CARR
7	325-22	2	Screw-HH	22	115-5061-01	1	Plate-Spacer
8	3296-45	2	Nut-Lock, NI	23	117-1241	1	Cover-Fan, RH
9	110-6634-01	2	Caster Fork ASM	24	117-1242	1	Cover-Fan, LH
10	10-8110	2	Washer-Thrust	25	46-8560	2	Screw-HHFTF



Deck Lift Assembly

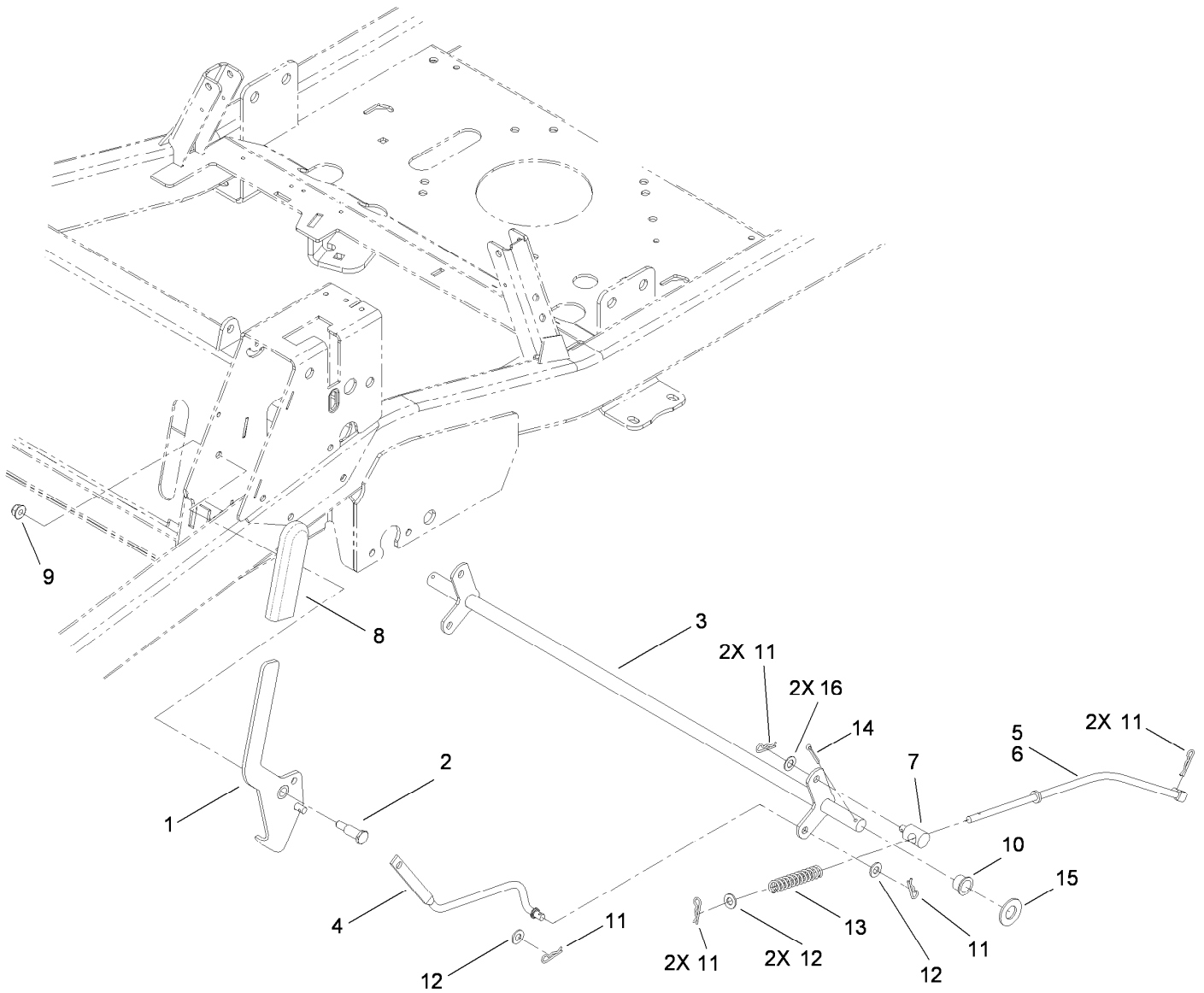
<i>Ref.</i>	<i>Part Number</i>	<i>Qty.</i>	<i>Description</i>	<i>Ref.</i>	<i>Part Number</i>	<i>Qty.</i>	<i>Description</i>
1	115-2495-03	1	Pivot-Front	10	3231-4	7	Screw-CARR
2	115-2498-03	1	Pivot-Rear	11	104-8301	8	Nut-Flange, NI
3	117-1281	1	Bushing-Mount, HOC	12	323-7	1	Screw-HH
4	115-4986	3	Spacer	13	322-5	8	Screw-HH
5	115-2503-03	2	Plate-Lift, Foot	14	104-8300	8	Nut-Flange, NI
6	115-2504	1	Plate-Stop, HOC	15	117-1280	1	Pin-Keyed
7	65-5950	4	Bushing-Pulley	16	115-9644	1	Decal-HOC
8	115-5033	1	Grip	17	117-5344	1	Decal-Lock, Deck
9	115-5065	4	Bushing-Flange	18	3231-1	1	Screw-CARR



Motion Control Assembly

Ref.	Part Number	Qty.	Description	Ref.	Part Number	Qty.	Description
1	115-2546-03	1	Box-Control	16	3220-2	2	Nut-Jam
2	112-4004	2	Screw-Shoulder	17	110-6783-05	1	Arm-Actuator, LH
3	110-6828	2	Activator Arm ASM	18	110-6782-05	1	Arm-Actuator, RH ●
3:2	105-3455	2	Bushing	19	115-5023	2	Tab-Stop
4	106-2214	2	Bolt-Shoulder	20	110-6873	2	Eccentric
5	103-2913	2	Damper-Control, Motion	21	110-6874	2	Screw-Eccentric
6	3296-42	4	Nut-Lock, NI	22	110-6875	2	Bolt-Shoulder
7	46-8560	2	Screw-HHFTF	23	110-6751	2	Bracket-Return
8	3296-48	2	Nut-Lock, NI	24	110-6750	2	Plate-Return
9	3256-22	2	Washer-Flat	25	110-6752	2	Spring-Compression
10	32128-23	2	Nut-HF	26	110-6894	6	Washer-Pivot
11	3256-5	2	Washer-Flat	27	323-4	2	Screw-HH
12	115-2529	2	Link-Bent, Hydro	28	110-6784	2	Bolt-Shoulder
13	1-303105	2	Yoke-Adjustable	29	37-8771	2	Bolt-Shoulder
14	1-808280	2	Pin-Clevis	30	104-8300	2	Nut-Flange, NI
15	1-806003	2	Pin-Cotter, Hair	31	112-9771	2	Washer-Teflon

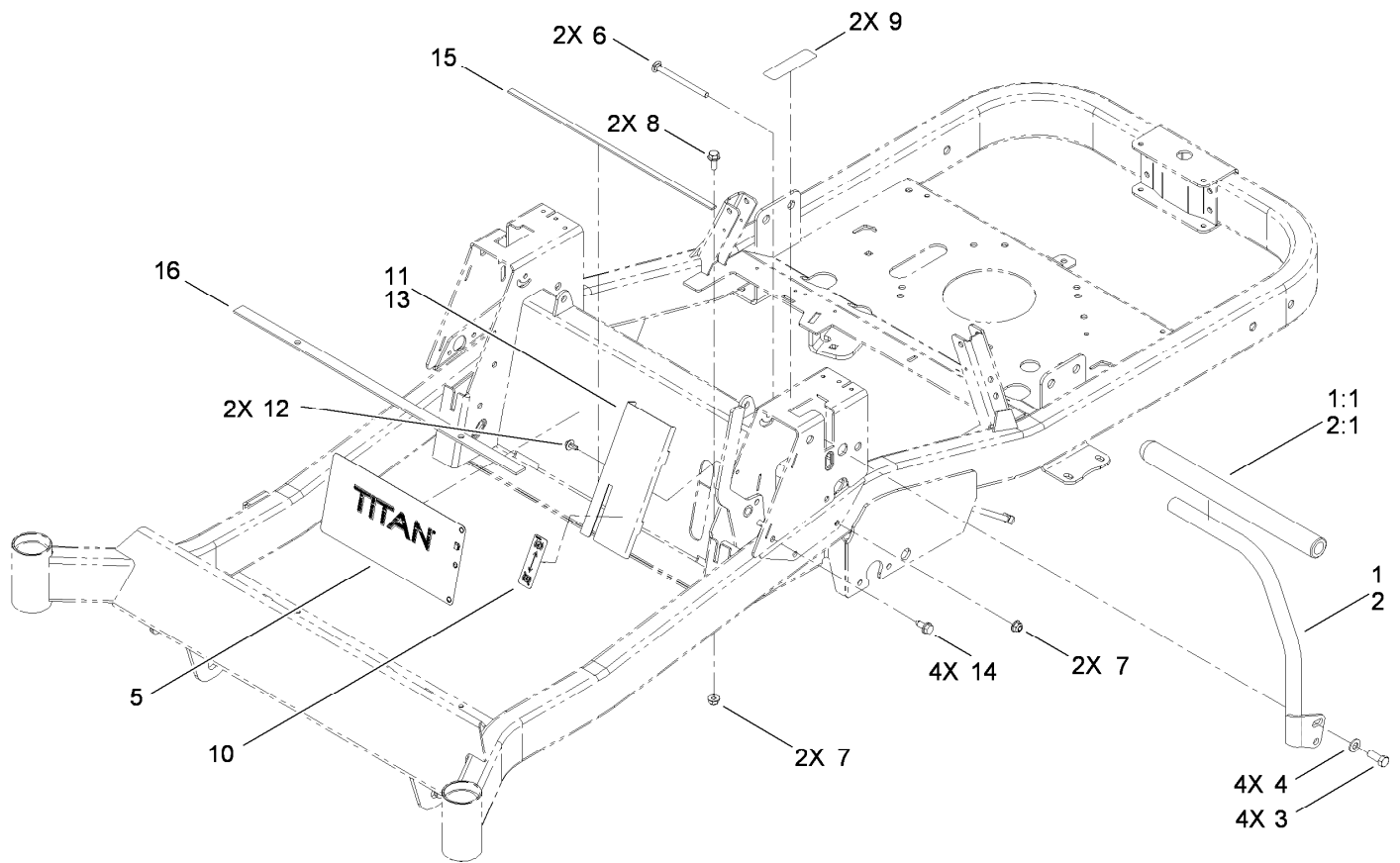
● Not illustrated



Parking Brake Assembly

Ref.	Part Number	Qty.	Description	Ref.	Part Number	Qty.	Description
1	119-3460	1	Handle-Brake	9	104-8300	1	Nut-Flange, NI
2	63-2650	1	Screw-Shoulder	10	256-292	2	Bushing-Flange, NI
3	115-5071-03	1	Brake-Bellcrank	11	1-806003	8	Pin-Cotter, Hair
4	115-5074	1	Link-Brake	12	3256-23	4	Washer-Flat
5	117-7322	1	Rod-Brake, LH	13	1-603807	2	Spring-Return, Neutral
6	117-7323	1	Rod-Brake, RH ●	14	3272-11	2	Pin-Cotter
7	115-9681	2	Fitting-Rod	15	3256-27	2	Washer-Flat
8	1-633268	1	Grip-Lever	16	40-1940	2	Washer

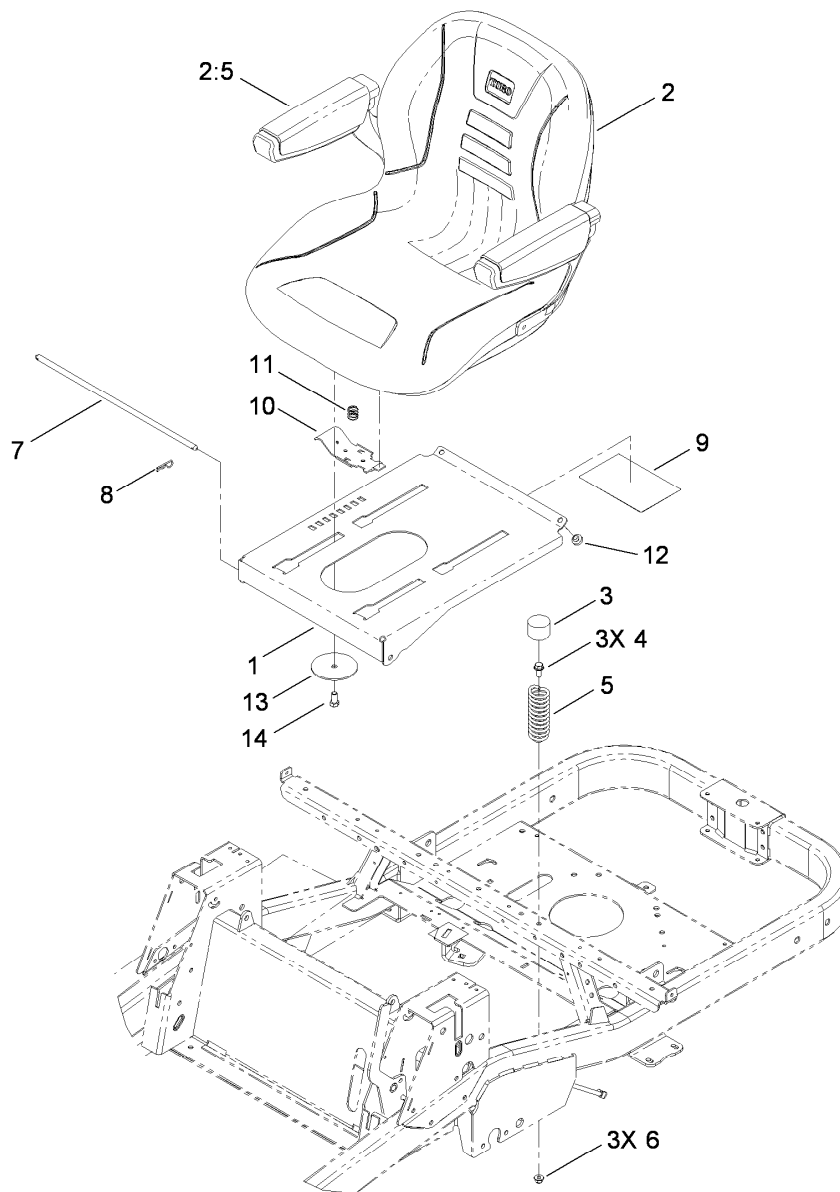
● Not illustrated



Handle Control Assembly

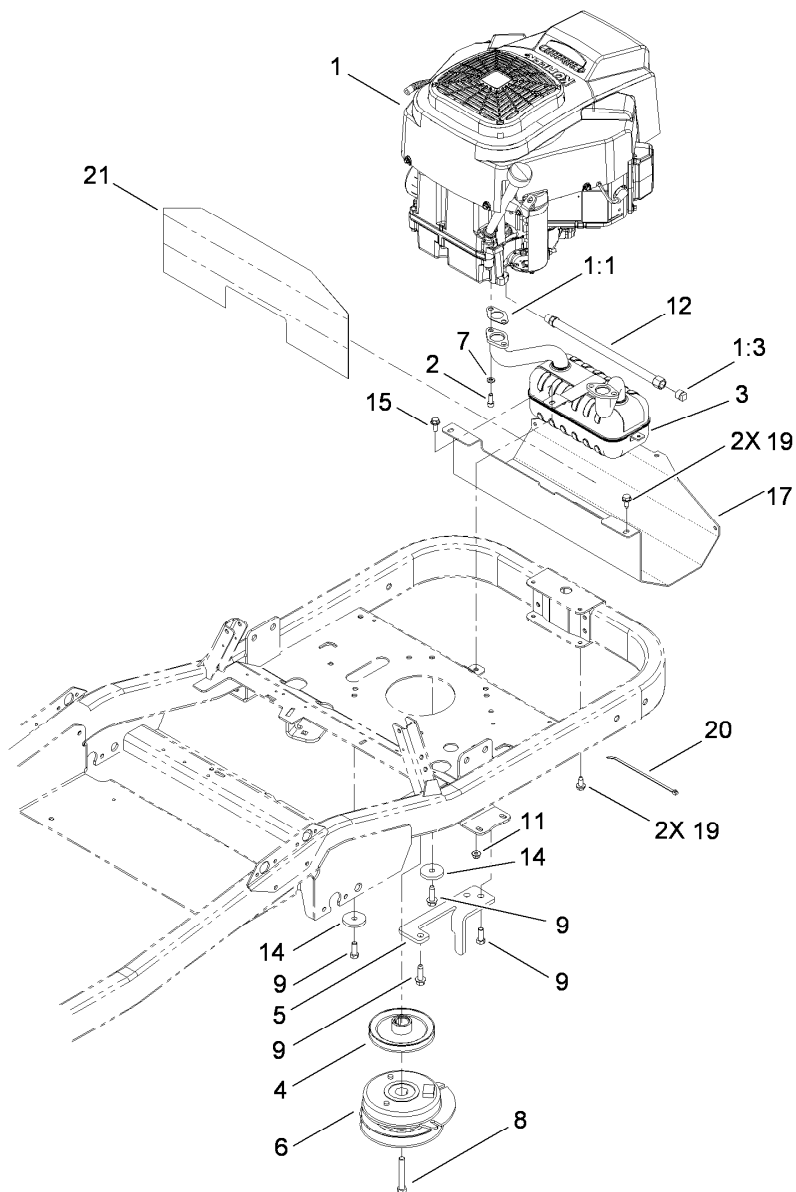
Ref.	Part Number	Qty.	Description	Ref.	Part Number	Qty.	Description
1	117-5338	1	LH Control Handle ASM	8	3234-47	2	Screw-HHF
1:1	108-6187	1	Grip ●	9	99-8936	2	Decal-Control, Motion
2	117-5339	1	RH Control Handle ASM ●	10	115-9625	1	Decal
2:1	108-6187	1	Grip	11	115-2561-03	1	Cover-Control, LH
3	323-6	4	Screw-HH	12	46-8560	2	Screw-HHFTF
4	3256-24	4	Washer-Flat	13	117-1255-03	1	Cover-Control, RH ●
5	117-7490	1	Decal-Titan	14	32144-70	4	Screw-HWHTF
6	106-9758	2	Screw-CARR	15	117-7237	1	Strip-Vibration, Anti
7	104-8300	4	Nut-Flange, NI	16	117-7238	1	Strip-Vibration, Anti

● Not illustrated



Seat Assembly

Ref.	Part Number	Qty.	Description
1	117-5320-03	1	Pan-Seat
2	115-5053	1	18 Inch Seat ASM
2:5	119-3307	1	Armrest Kit
3	701178	3	Cap-Protector
4	3234-47	3	Screw-HHF
5	92-7054	3	Spring-Compression
6	104-8300	3	Nut-Flange, NI
7	115-4966	1	Rod-Stop
8	3290-250	2	Pin-Hair
9	115-9630	1	Decal-Maintenance
10	115-9623	1	Latch-Seat
11	115-9624	1	Spring-Compression
12	1-513658	2	Bumper
13	117-5307	1	Washer-Seat
14	323-4	1	Screw-HH



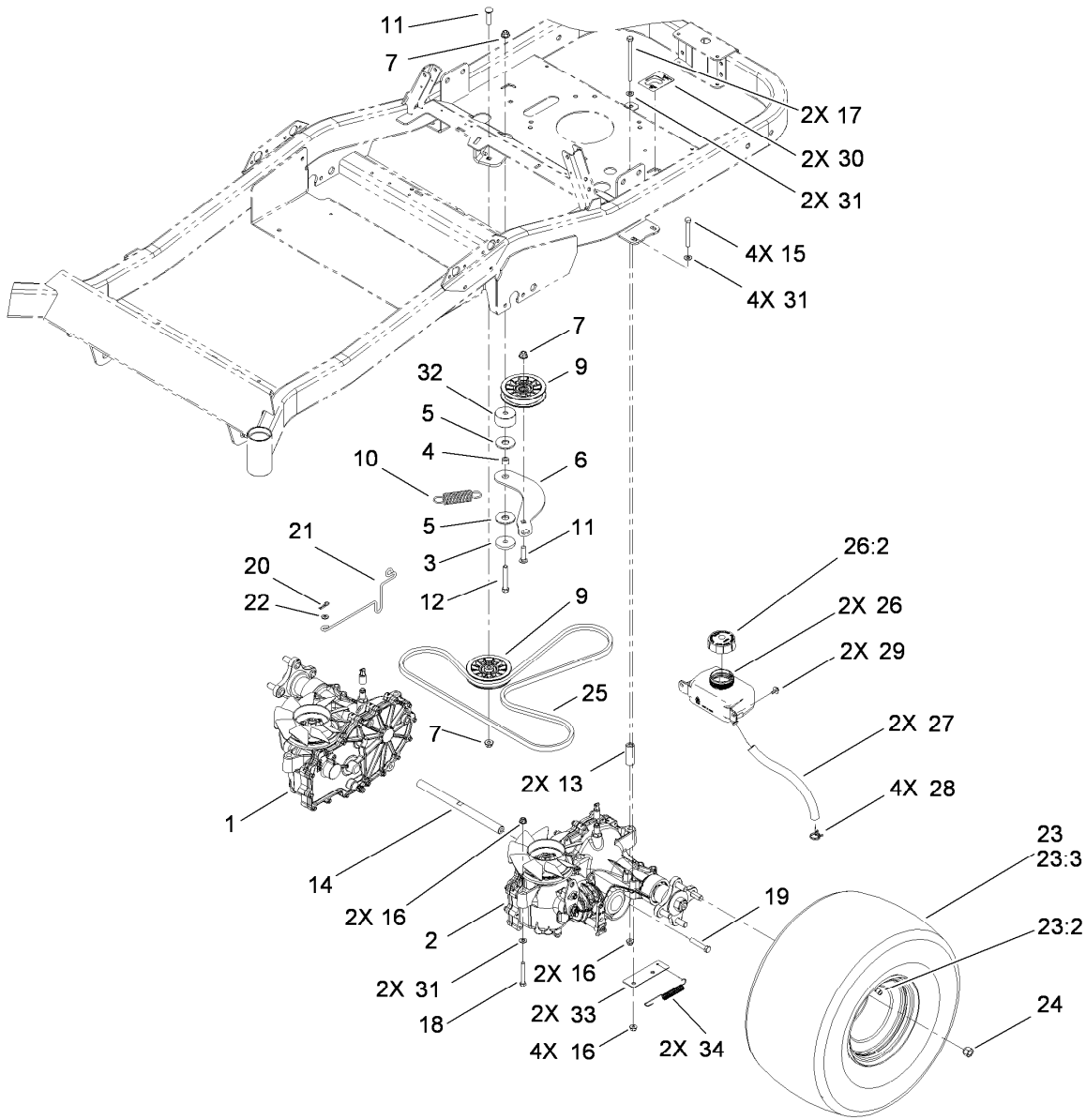
Engine and Blade Assembly

Ref.	Part Number	Qty.	Description
1		1	Engine-Kohler, Sv820-0016 ● ■
1:1	110-6697	2	Gasket-Exhaust
1:3	281-2	1	Plug-Pipe, SQH
2	3274-10	4	Screw-HSH
3	117-7463	1	Muffler-Twin, Kohler
4	115-2568	1	Pulley-Engine
5	117-1269-03	1	Bracket-Stop, PTO
6	117-1252	1	Clutch-PTO
7	3253-4	4	Washer-Lock

Ref.	Part Number	Qty.	Description
8	3212-11	1	Screw-HH
9	32144-109	4	Screw
11	104-8300	1	Nut-Flange, NI
12	117-1261	1	Oil Drain Hose ASM
14	110-9981	2	Washer-Plain
15	3234-47	1	Screw-HHF
17	117-5330-03	1	Shield-Heat
19	32144-70	4	Screw-HWHTF
20	614249	1	Strap-Tie
21	117-7220	1	Foil-Heat Shield

● Not serviced separately

■ Obtain parts from www.kohlerplus.com

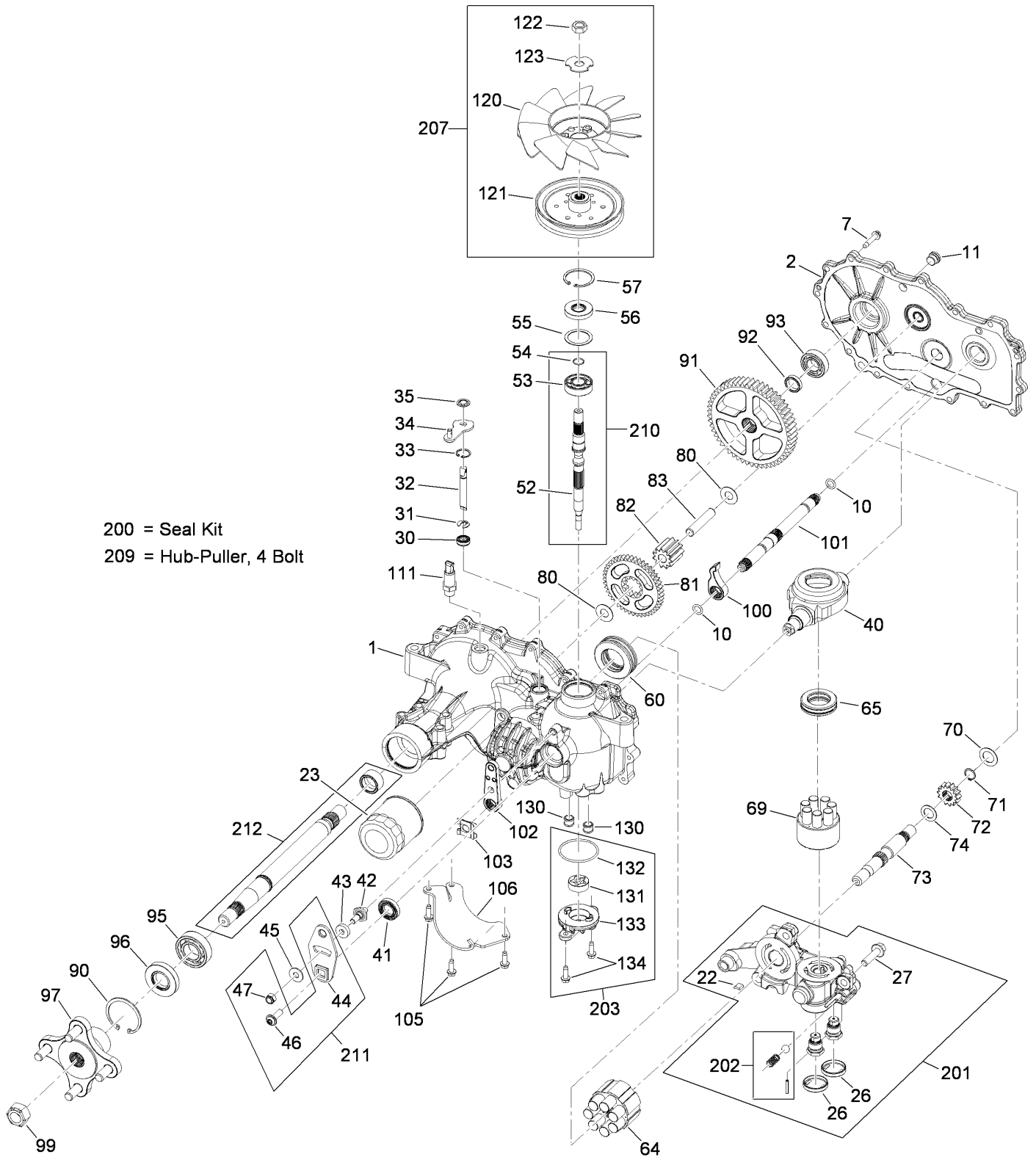


Traction Drive Assembly

Ref.	Part Number	Qty.	Description
1	115-2550	1	Hydro-RH
2	115-2551	1	Hydro-LH
3	110-9981	1	Washer-Plain
4	115-4986	1	Spacer
5	114-0463	2	Washer-Friction, Composite
6	117-5350	1	Arm-Idler
7	104-8301	3	Nut-Flange, NI
9	109-3397	2	Pulley-Idler, Flat
10	1-603402	1	Spring-Extension
11	3231-4	2	Screw-CARR
12	323-12	1	Screw-HH
13	109-3652	2	Spacer-Hydro
14	115-2559	1	Shaft-Cross, Hydro
15	322-13	4	Screw-HH
16	104-8300	8	Nut-Flange, NI
17	322-38	2	Screw-HH
18	322-11	2	Screw-HH
19	323-10	2	Screw-HH

Ref.	Part Number	Qty.	Description
20	1-806003	2	Pin-Cotter, Hair
21	115-4990	2	Rod-Bypass
22	3256-22	2	Washer-Flat
23	115-2594	2	Tire And Rim ASM
23:2	232-27	1	Stem-Valve
23:3	115-2590	1	Tire
24	242-50	8	Nut-Lug
25	115-9613	1	V-Belt
26	115-9618	1	HYD Reservoir ASM
26:2	109-3320	1	Cap-Reservoir, HYD
27	115-4969	2	Hose-Overflow
28	117-1193	4	Clamp-Hose
29	46-8560	2	Screw-HHFTF
30	117-1158	2	Decal-Bypass
31	3256-23	8	Washer-Flat
32	117-5351	1	Spacer
33	117-7248-03	2	Plate-Spring
34	110769	2	Spring-Extension

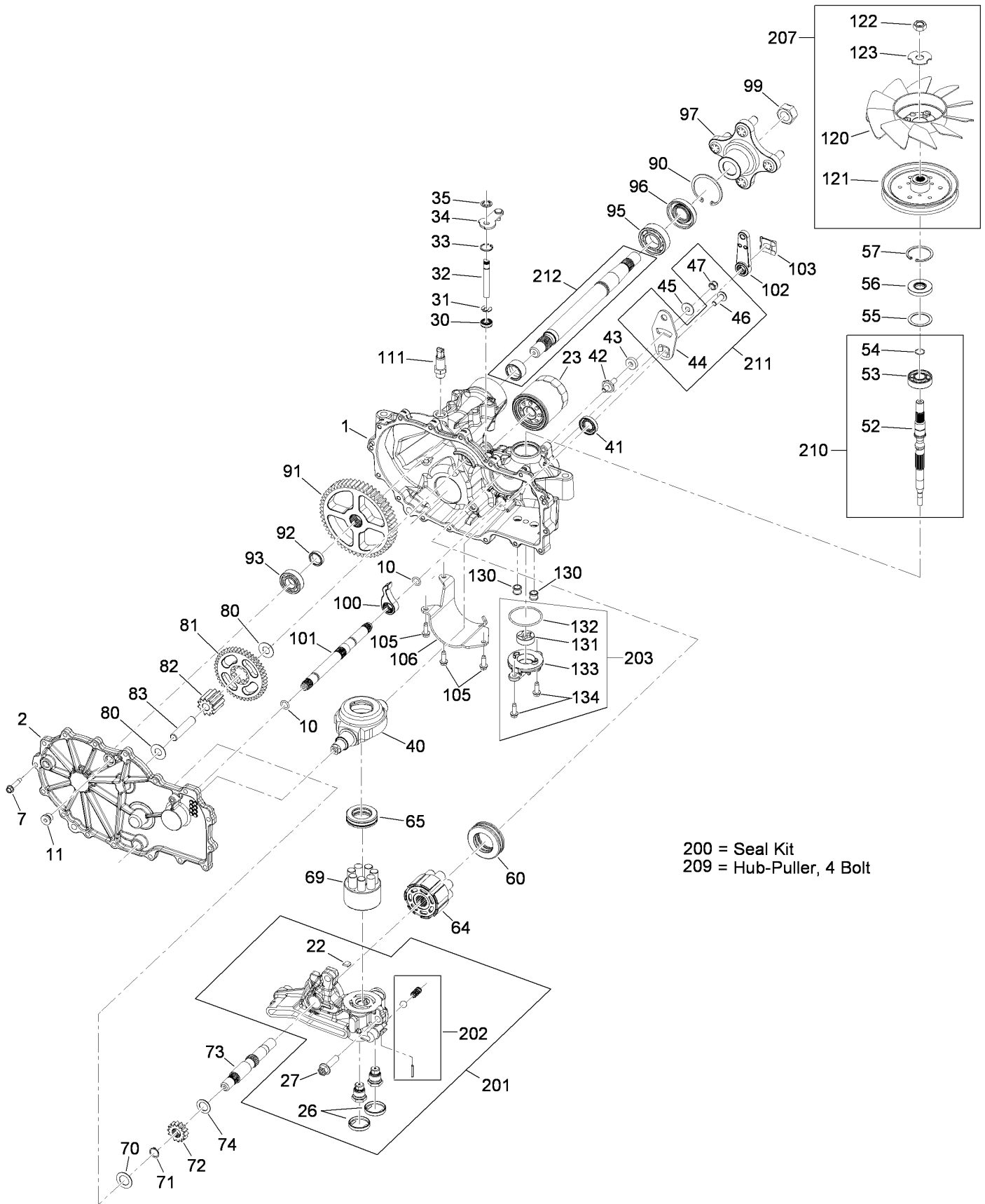
RH Hydro Assembly No. 115-2550



RH Hydro Assembly No. 115-2550 (continued)

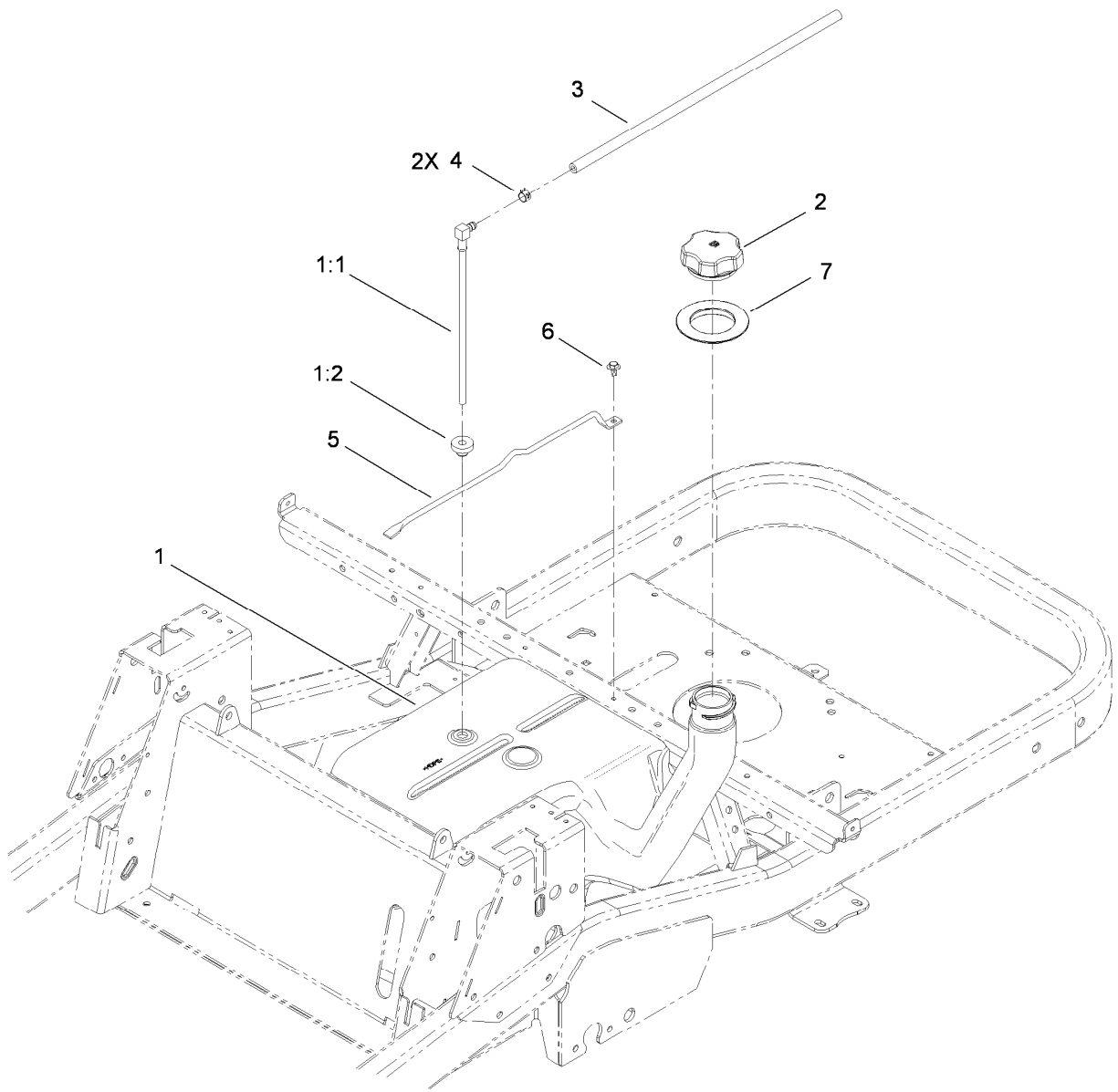
<i>Ref.</i>	<i>Part Number</i>	<i>Qty.</i>	<i>Description</i>	<i>Ref.</i>	<i>Part Number</i>	<i>Qty.</i>	<i>Description</i>
1	117-5357	1	RH Main Housing Kit	80	94-1933	1	Washer
2	117-5358	1	RH Housing Side Kit	81	114-1692	1	Gear-45T
7	117-5359	16	Screw-Hfhcs	82	114-1693	1	Gear-11T
10	114-1678	2	O-Ring	83	104-5329	1	Pin-Jackshaft
11	104-2189	1	Plug-Thread, Straight	90	104-2169	1	Ring-Retaining
22	114-1680	1	Plate-Bypass	91	114-1694	1	Gear-54T
23	109-3321	1	Element-Oil Filter, HYD	92	114-1695	1	Spacer
26	114-1683	2	Seal-Plug	93	114-1696	1	Bearing-Ball
27	114-1684	3	Screw-Hfhc	95	104-2143	1	Bearing-Ball
30	106-8676	1	Seal-Lip	96	104-2144	1	Seal
31	106-8677	1	Ring-Retaining, EXT	97	109-5939	1	Hub Kit
32	114-1685	1	Rod-Bypass	99	105-1895	1	Nut
33	106-8679	1	Ring-Retaining, Int	100	114-1697	1	Pawl-Brake
34	107-2490	1	Arm-Bypass	101	117-5360	1	Shaft-Brake
35	106-8681	1	Ring-Retaining, EXT	102	114-1699	1	Handle-Brake
40	104-5304	1	Swashplate-Trunnion	103	114-8450	1	Clip-Retaining
41	104-5313	1	Seal-Lip	105	104-2120	3	Screw
42	104-2116	1	Stud	106	114-8473	1	Guard-Filter, LH
43	112-9853	1	Puck-Friction	111	109-3278	1	Adapter-Straight
44	106-8747	1	Arm-Control	120	114-8453	1	Fan-7.0
45	114-8491	1	Washer	121	114-8454	1	Pulley-5.0 Inch
46	107-2488	1	Screw	122	104-2168	1	Nut-Hex
47	105-1872	1	Nut	123	107-9122	1	Washer-Slotted
52	114-1687	1	Shaft-Input	130	114-8455	2	Tube-Connecting
53	104-5311	1	Bearing-Ball	131	104-2122	1	Gerotor ASM
54	104-5307	1	Ring-Retaining	132	109-3540	1	O-Ring-Seal
55	104-5308	1	Spacer	133	114-8457	1	Cover-Charge Pump
56	104-5310	1	Seal-Lip	134	104-2120	2	Screw
57	104-5309	1	Ring-Retaining	200	109-3537	1	Complete Seal Kit
60	112-4154	1	Bearing-Thrust	201	114-8463	1	RH Center Section Kit
64	114-1689	1	Motor Cylinder Block Kit	202	114-8464	1	Charge Relief Kit
65	94-6922	1	Bearing-Thrust	203	114-8465	1	Charge Kit
69	110-8561	1	Pump Block ASM	207	109-5938	1	Fan And Pulley Kit
70	104-5339	1	Washer-Flat	209	114-8467	1	Hub-Puller, 4 Bolt
71	104-5340	1	Ring-Retaining	210	117-5361	1	Shaft Input Kit
72	114-1690	1	Gear-14T	211	117-5362	1	Arm Control Kit
73	114-1691	1	Shaft-Motor	212	114-8470	1	Axle Shaft Kit
74	104-5360	1	Washer-Shaft, Motor				

LH Hydro Assembly No. 115-2551



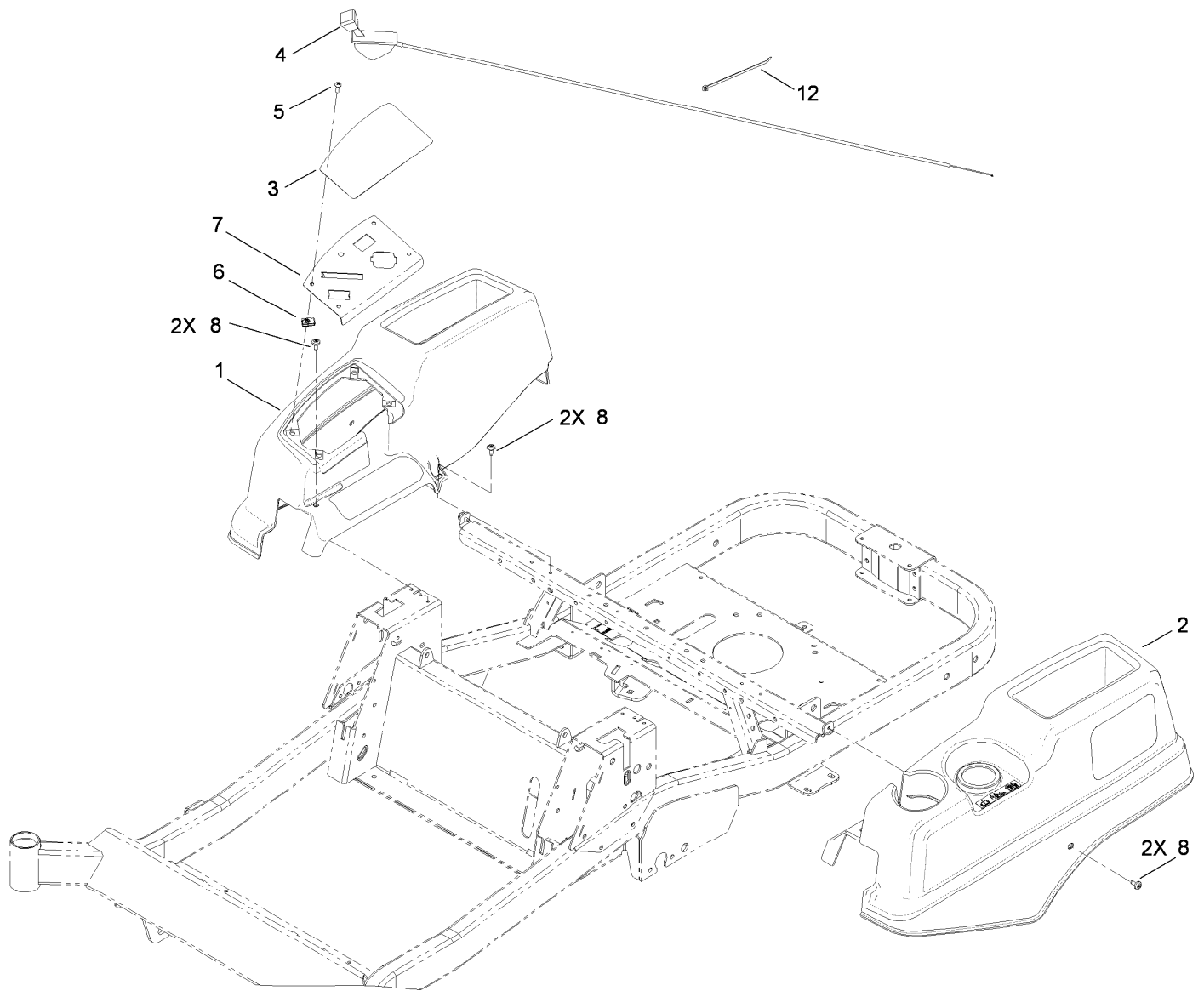
LH Hydro Assembly No. 115-2551 (continued)

<i>Ref.</i>	<i>Part Number</i>	<i>Qty.</i>	<i>Description</i>	<i>Ref.</i>	<i>Part Number</i>	<i>Qty.</i>	<i>Description</i>
1	114-8471	1	LH Main Housing Kit	80	94-1933	2	Washer
2	114-8472	1	LH Side Cover Kit	81	114-1692	1	Gear-45T
7	117-5359	16	Screw-Hfhcs	82	114-1693	1	Gear-11T
10	114-1678	2	O-Ring	83	104-5329	1	Pin-Jackshaft
11	104-2189	1	Plug-Thread, Straight	90	104-2169	1	Ring-Retaining
22	114-1680	1	Plate-Bypass	91	114-1694	1	Gear-54T
23	109-3321	1	Element-Oil Filter, HYD	92	114-1695	1	Spacer
26	114-1683	2	Seal-Plug	93	114-1696	1	Bearing-Ball
27	114-1684	3	Screw-Hfhc	95	104-2143	1	Bearing-Ball
30	106-8676	1	Seal-Lip	96	104-2144	1	Seal
31	106-8677	1	Ring-Retaining, EXT	97	109-5939	1	Hub Kit
32	114-1685	1	Rod-Bypass	99	109-3536	1	Nut-Hub
33	106-8679	1	Ring-Retaining, Int	100	114-1697	1	Pawl-Brake
34	107-2490	1	Arm-Bypass	101	117-5360	1	Shaft-Brake
35	106-8681	1	Ring-Retaining, EXT	102	114-1699	1	Handle-Brake
40	104-5304	1	Swashplate-Trunnion	103	114-8450	1	Clip-Retaining
41	104-5313	1	Seal-Lip	105	104-2120	3	Screw
42	104-2116	1	Stud	106	114-8473	1	Guard-Filter, LH
43	112-9853	1	Puck-Friction	111	109-3278	1	Adapter-Straight
44	106-8747	1	Arm-Control	120	114-8453	1	Fan-7.0
45	114-8491	1	Washer	121	114-8454	1	Pulley-5.0 Inch
46	107-2488	1	Screw	122	104-2168	1	Nut-Hex
47	105-1872	1	Nut	123	107-9122	1	Washer-Slotted
52	114-1687	1	Shaft-Input	130	114-8455	2	Tube-Connecting
53	104-5311	1	Bearing-Ball	131	104-2122	1	Gerotor ASM
54	104-5307	1	Ring-Retaining	132	109-3540	1	O-Ring-Seal
55	104-5308	1	Spacer	133	114-8457	1	Cover-Charge Pump
56	104-5310	1	Seal-Lip	134	104-2120	2	Screw
57	104-5309	1	Ring-Retaining	200	109-3537	1	Complete Seal Kit
60	114-1688	1	Bearing-Thrust	201	114-8476	1	LH Center Section Kit
64	114-1689	1	Motor Cylinder Block Kit	202	114-8464	1	Charge Relief Kit
65	94-6922	1	Bearing-Thrust	203	114-8465	1	Charge Kit
69	110-8561	1	Pump Block ASM	207	109-5938	1	Fan And Pulley Kit
70	104-5339	1	Washer-Flat	209	114-8467	1	Hub-Puller, 4 Bolt
71	104-5340	1	Ring-Retaining	210	117-5361	1	Shaft Input Kit
72	114-1690	1	Gear-14T	211	117-5362	1	Arm Control Kit
73	114-1691	1	Shaft-Motor	212	114-8470	1	Axle Shaft Kit
74	104-5360	1	Washer-Shaft, Motor				



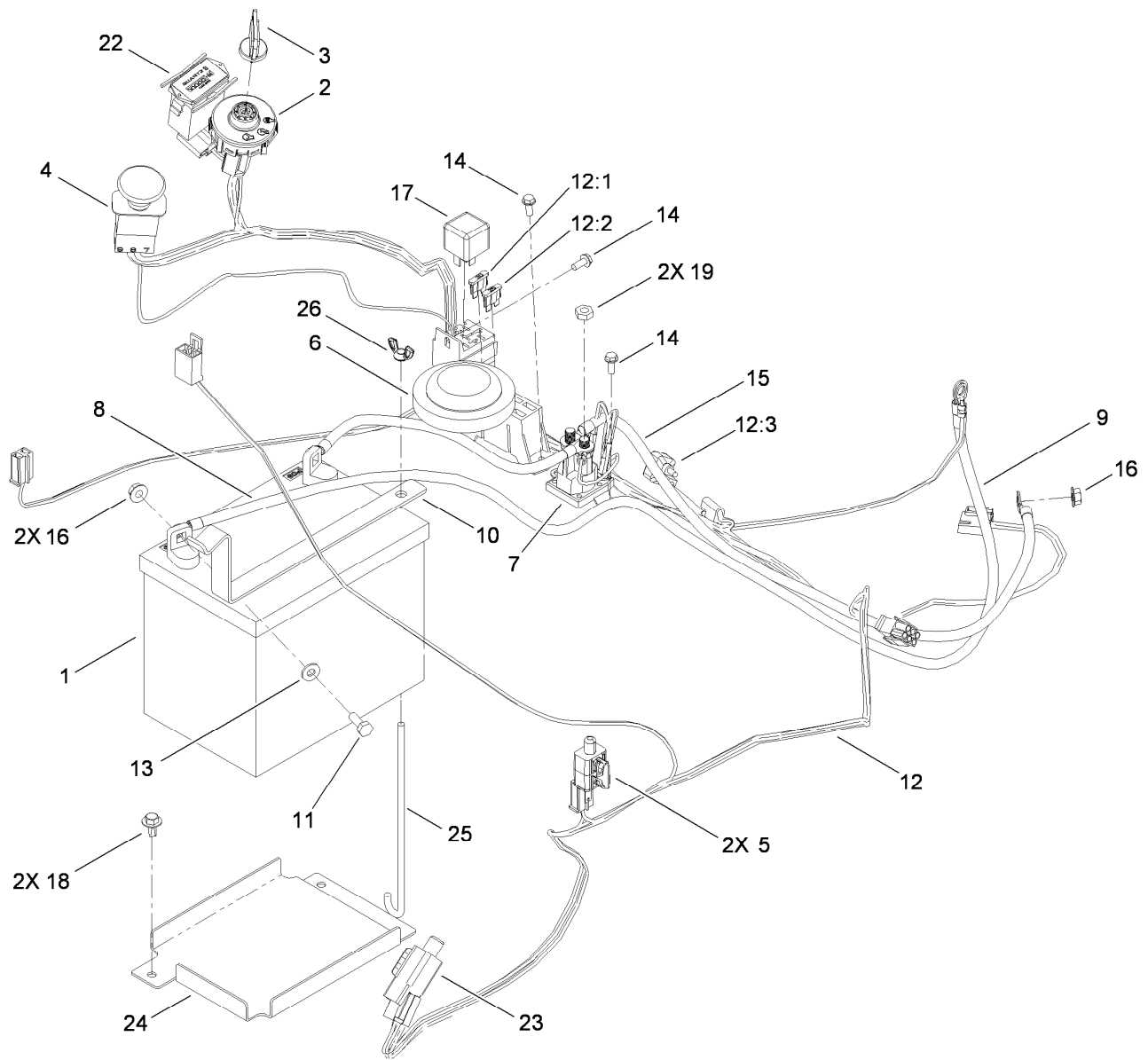
Fuel Delivery System

<i>Ref.</i>	<i>Part Number</i>	<i>Qty.</i>	<i>Description</i>
1	115-9620	1	5 Gallon Fuel Tank ASM
1:1	115-2564	1	Tube-Drop
1:2	46-6560	1	Bushing
2	115-9601	1	Cap-Fuel, Vented
3	109-0299	1	Hose-Fuel
4	2412-98	2	Clamp
5	115-2620	1	Rod-Tank, Gas
6	46-8560	1	Screw-HHFTF
7	117-1298	1	Seal-Tank



Body and Styling Assembly

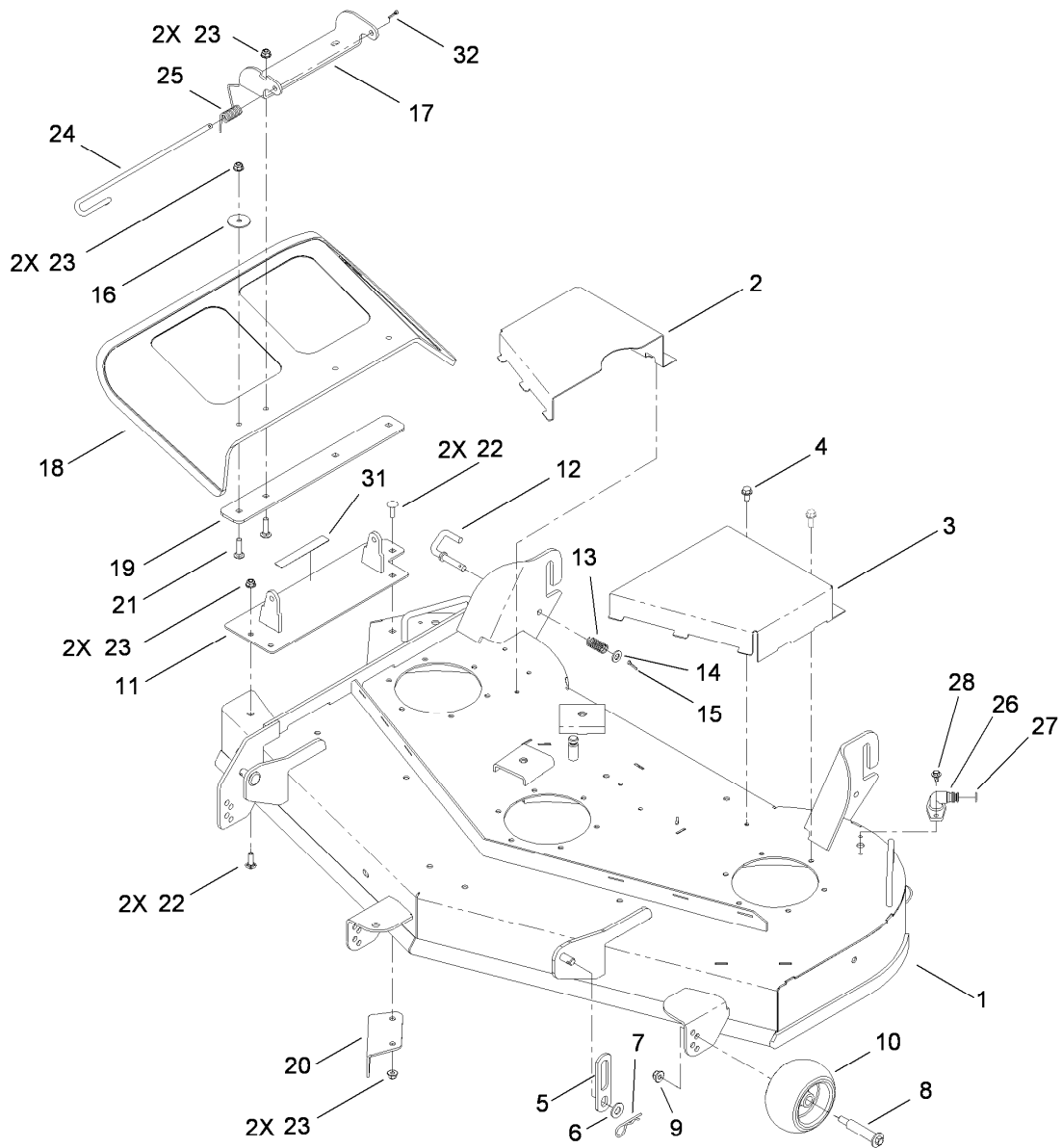
<i>Ref.</i>	<i>Part Number</i>	<i>Qty.</i>	<i>Description</i>
1	115-2581	1	Pod-RH
2	115-2582	1	Pod-LH
3	115-9631	1	Decal-Panel, Control
4	117-1196	1	Cable-Throttle
5	3258-166	4	Screw-PRH
6	107069	4	Clip
7	115-2591-03	1	Panel-Control
8	112-4004	6	Screw-Shoulder
12	614249	1	Strap-Tie



Electrical Assembly

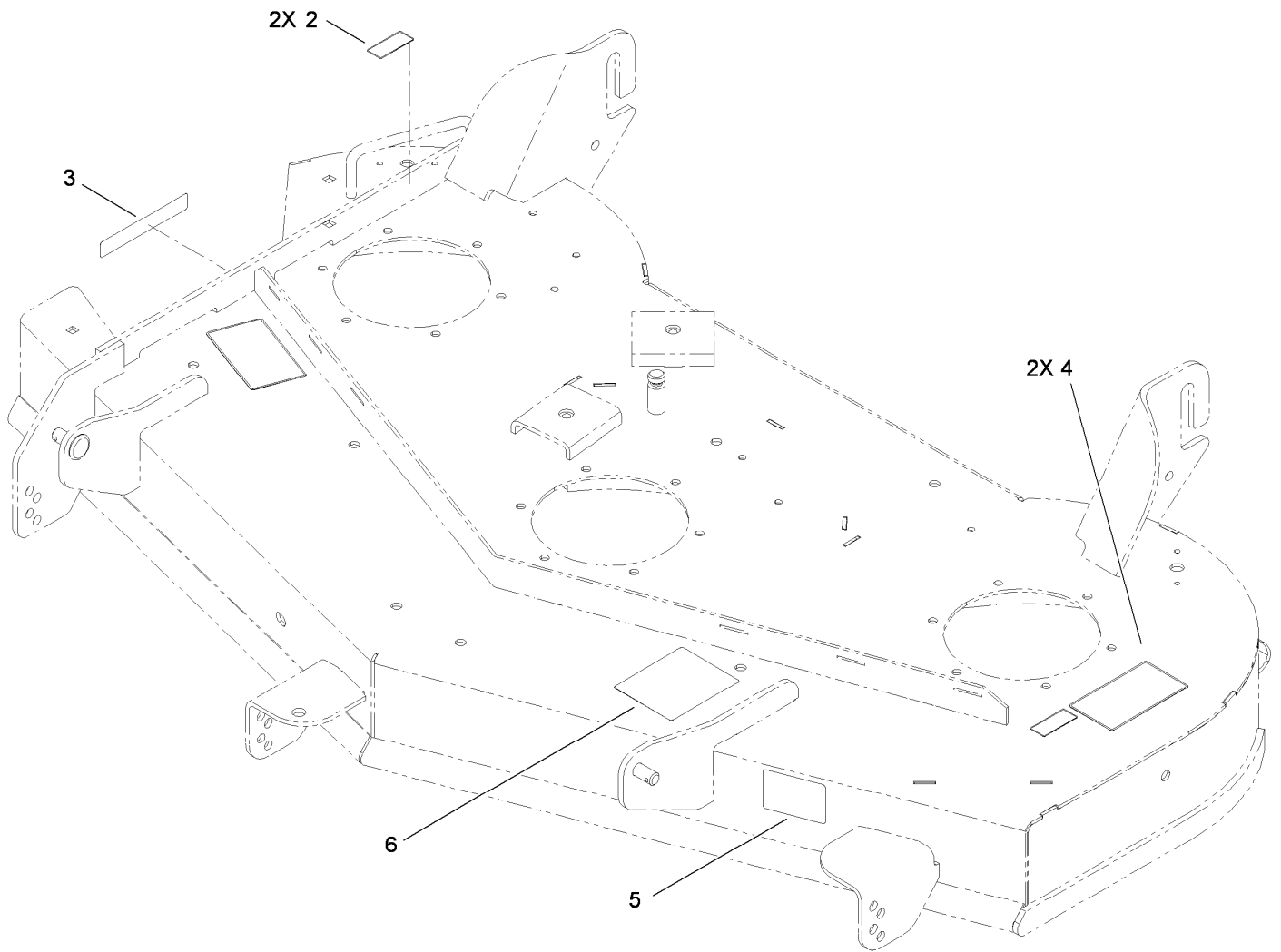
<i>Ref.</i>	<i>Part Number</i>	<i>Qty.</i>	<i>Description</i>
1	104-2493	1	Battery
2	117-2221	1	Switch-Ignition
3	63-8360	1	Key-Ignition
4	93-9998	1	Switch-PTO
5	110-6765	2	Switch-Single Pole No
6	100-3524	1	Switch-Seat
7	117-1197	1	Solenoid
8	117-5342	1	Cable-Battery, Positive
9	117-7240	1	Cable-Battery, Negative
10	117-7313-01	1	Strap-Battery
11	321-4	2	Screw-HH
12	117-7243	1	Harness-Wire
12:1	109103	1	Fuse-Blade, 30 Amp
12:2	109102	1	Fuse-Blade, 25 Amp

<i>Ref.</i>	<i>Part Number</i>	<i>Qty.</i>	<i>Description</i>
12:3	100-4918	1	Diode
13	3256-22	2	Washer-Flat
14	32144-1	5	Screw-Taptite
15	92-6989	1	Wire-21 Inch
16	32128-33	3	Nut-HF
17	98-7249	1	Relay
18	46-8560	2	Screw-HHFTF
19	3220-2	2	Nut-Jam
22	1-513374	1	Meter-Hour
23	99-7408	1	Switch-Reverse
24	117-1283-03	1	Tray-Battery
25	1-633651	1	Bolt-Holddown
26	1-543792	1	Wingnut



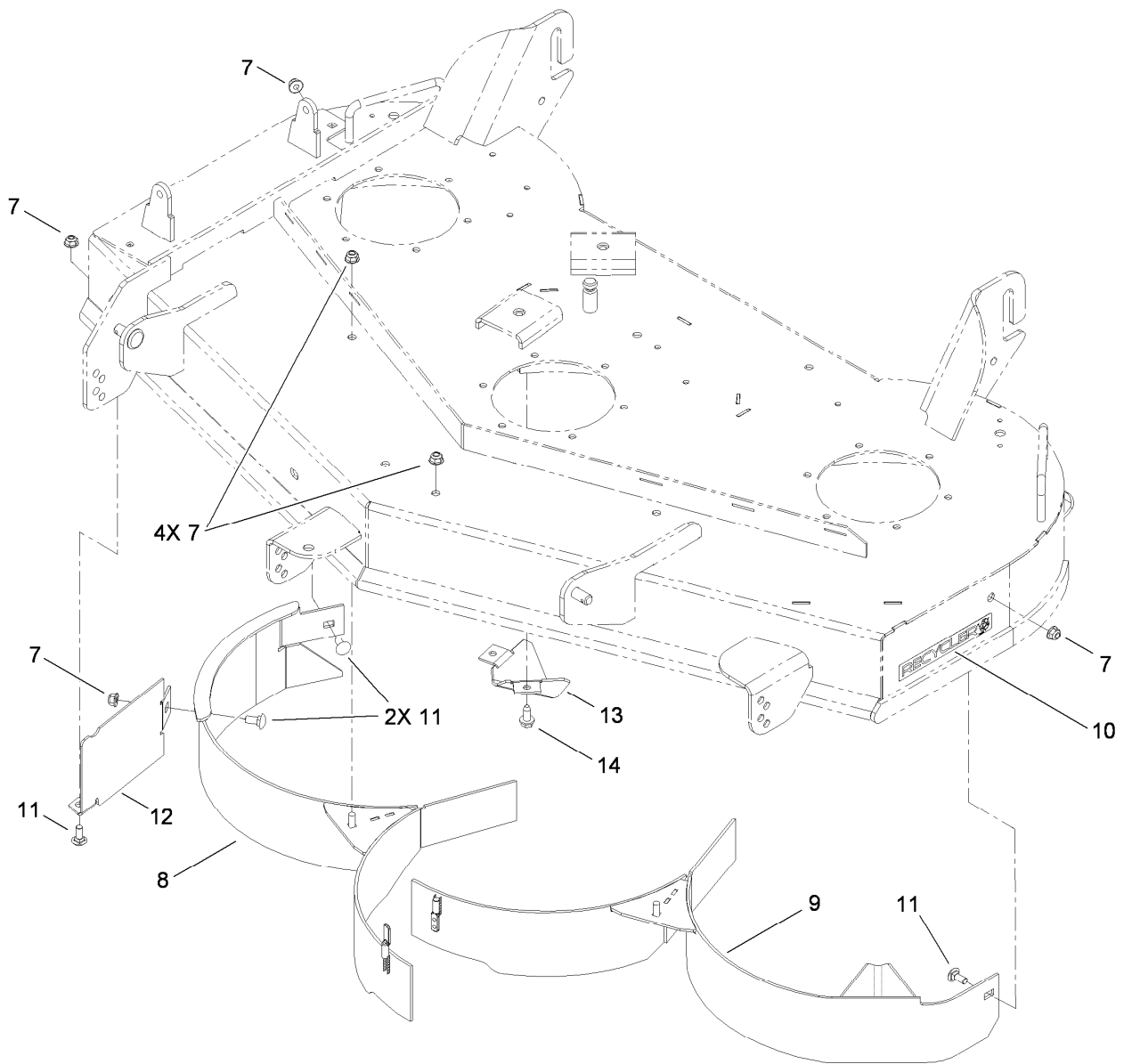
48 Inch Deck Assembly

Ref.	Part Number	Qty.	Description	Ref.	Part Number	Qty.	Description
1	119-3383	1	48 Inch Deck And Decal ASM	16	3256-68	2	Washer-Flat
2	117-7396-03	1	Cover-Belt, 48 Inch (RH)	17	114-1648-03	1	Bracket-Deflector, Upper
3	117-7397-03	1	Cover-Belt, 48 Inch (LH)	18	117-1270	1	Deflector-Molded
4	32144-70	2	Screw-HWHTF	19	115-5048-03	1	Plate-Deflector
5	115-2622	2	Link-Lift	20	117-7418-03	1	Baffle-Cutoff
6	3256-26	2	Washer-Flat	21	3230-3	4	Screw-CARR
7	1-806005	2	Pin-Hair	22	3230-22	4	Screw-CARR
8	112-3977	3	Bolt-Shoulder	23	104-8300	8	Nut-Flange, NI
9	104-8301	3	Nut-Flange, NI	24	109-8854	1	Pin-Chute
10	1-603299	3	Roller-Scalp, Anti	25	115-9641	1	Spring-Torsion
11	117-7367-03	1	Plate ASM	26	95-2747	2	Fitting-Washout
12	115-2470	2	Pin-Latch	27	46-6290	2	O-Ring, Seal
13	101853	2	Spring-Compression	28	46-8560	4	Screw-HHFTF
14	3256-24	2	Washer-Flat	31	93-7009	1	Decal-Danger, Deflector
15	3272-10	2	Pin-Cotter	32	3272-10	1	Pin-Cotter



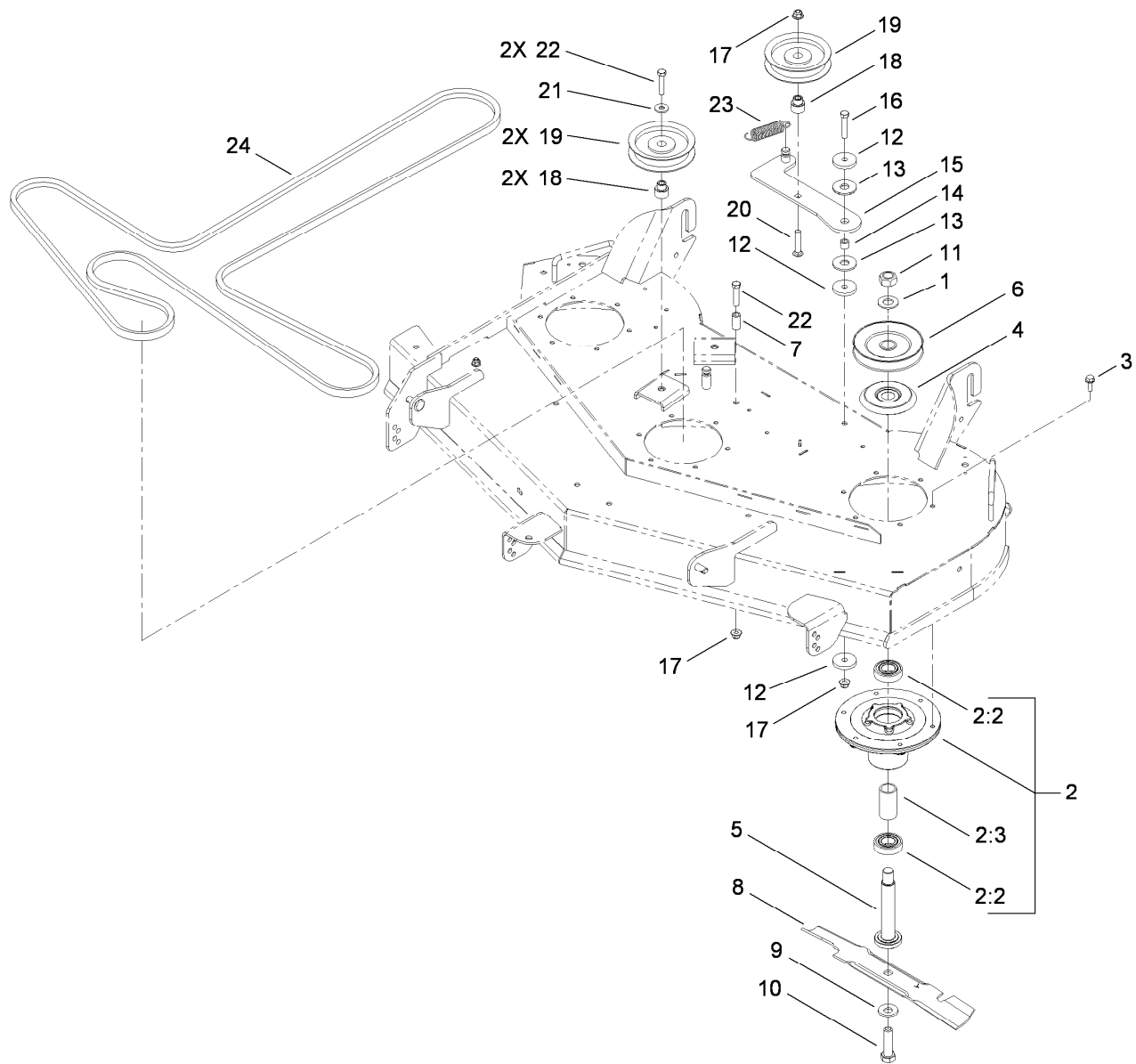
48 Inch Deck Decal Assembly No. 119-3383

<i>Ref.</i>	<i>Part Number</i>	<i>Qty.</i>	<i>Description</i>
2	114-1606	2	Decal-Danger, Pulley
3	93-7009	1	Decal-Danger, Deflector
4	110-6691	2	Decal-Danger
5	112-9840	1	Decal-Scalp, Anti
6	117-1194	1	Decal-Routing, Belt



48 Inch Baffle Assembly

Ref.	Part Number	Qty.	Description
7	104-8300	8	Nut-Flange, NI
8	117-7379-03	1	RH Baffle ASM
9	117-7380-03	1	LH Baffle ASM
10	119-2368	1	Decal-Recycler
11	3230-1	4	Bolt-CARR
12	119-3352-03	1	Guard-Baffle, 48 Inch
13	119-3389-03	2	Kicker-Flanged
14	32144-70	4	Screw-HWHTF



48 Inch Deck Belt and Spindle Assembly

Ref.	Part Number	Qty.	Description	Ref.	Part Number	Qty.	Description
1	7-4150	3	Washer	12	110-9981	3	Washer-Plain
2	117-1250	3	Spindle ASM	13	114-0463	2	Washer-Friction, Composite
2:2	104-6325	2	Bearing-Ball	14	1-413088	1	Bushing-Lever, Lift
2:3	115-2641	1	Spacer-Bearing	15	115-5054	1	Idler Arm ASM
3	32144-41	18	Screw-Taptite	16	323-10	1	Screw-HH
4	117-7210	3	Shield-Bearing	17	104-8301	3	Nut-Flange, NI
5	115-2642	3	Shaft-Spindle	18	115-2577	3	Bushing-Idler
6	117-7326	3	Pulley	19	1-603843	3	Pulley-Idler
7	1-603401	1	Spacer-Fender	20	3231-6	1	Screw-CARR
8	117-7278-03	3	Blade-Mulch, 16.50 Inch	21	80-6990	2	Washer-Hardened
9	22-8520	3	Washer-Belleville	22	323-9	3	Screw-HH
10	51-4060	3	Screw-Blade	23	108-4056	1	Spring-Extension
11	3219-7	3	Nut-Hex	24	117-7325	1	V-Belt

Attachments and Accessories

For 74912 TITAN ZX4800 Zero-Turn-Radius Riding Mower

Product Name	Model/Part
Hitch Kit	117-5315
Step Kit	117-5316
Light Kit	117-5317
Sunshade	117-5318
Transport Seat Hold Down Kit	117-7251
48in Bagger Finishing Kit	119-3319
48in Striping Kit	119-3380
Leaf Bagging Enhancement Kit	119-3381
Bagger	79326



Count on it.