



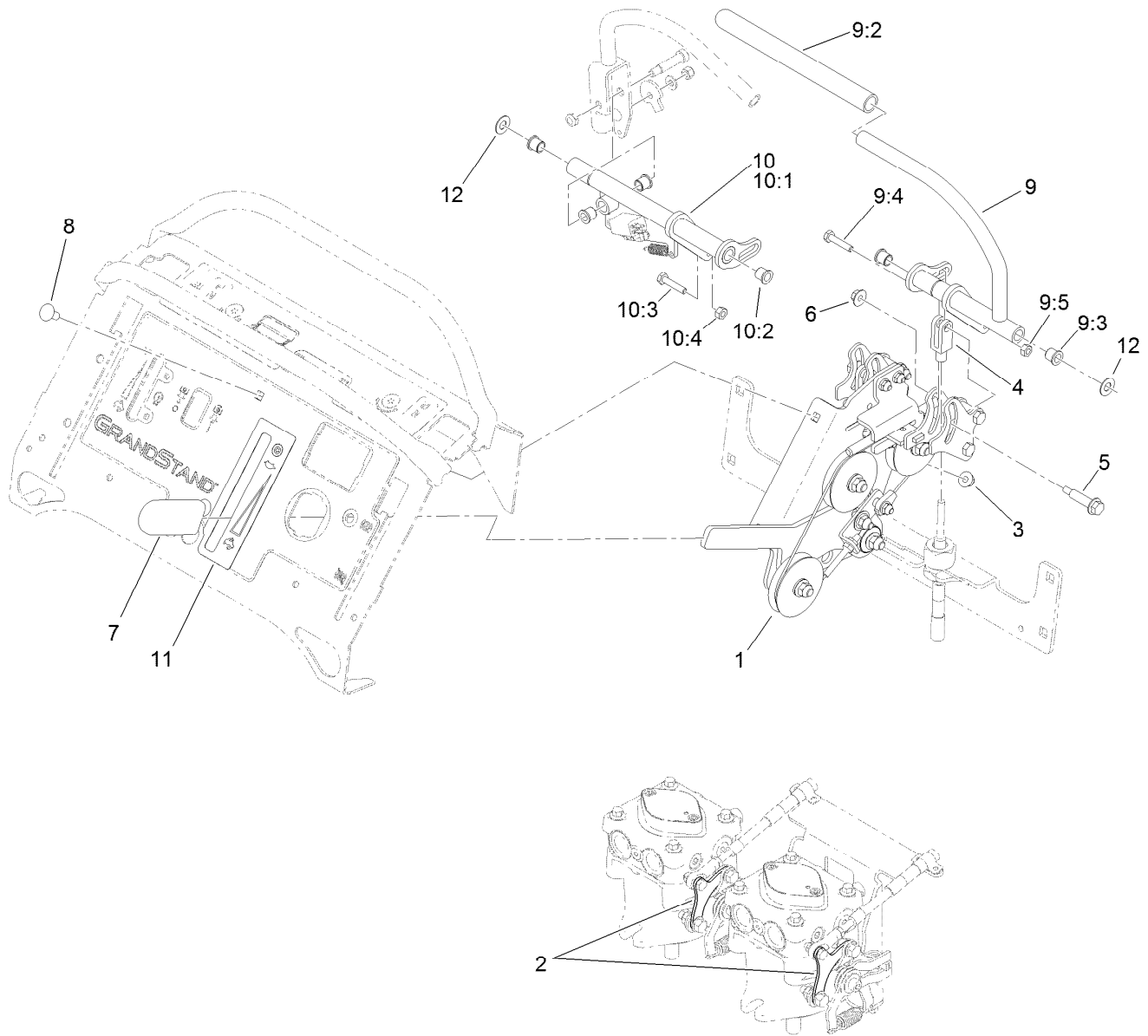
Count on it.

Parts Catalog

Speed Control Kit

2011 and After GrandStand® Mower

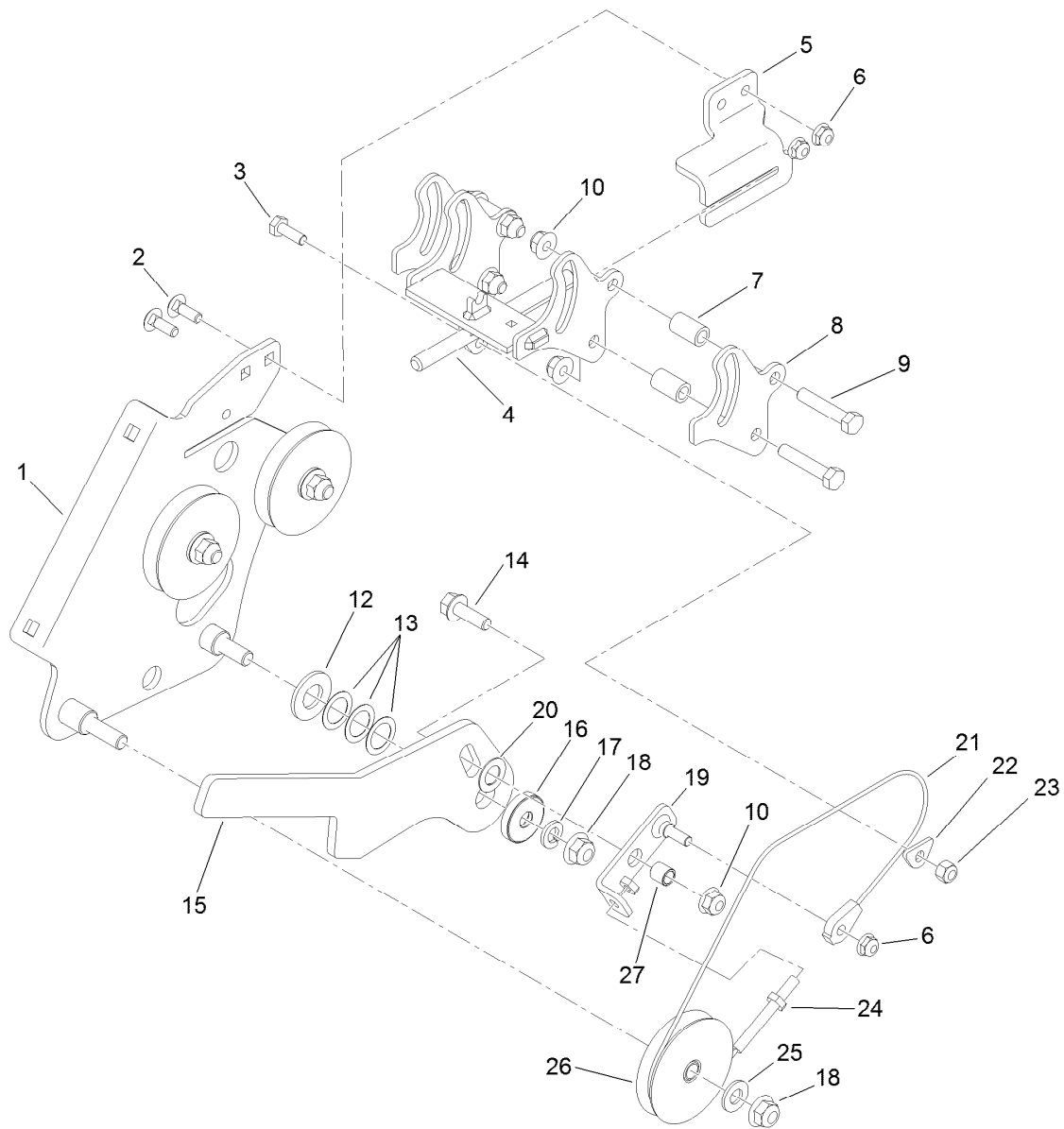
Model No. 119-7390



Speed Control Kit Assembly No. 119-7390

<i>Ref.</i>	<i>Part Number</i>	<i>Qty.</i>	<i>Description</i>	<i>Ref.</i>	<i>Part Number</i>	<i>Qty.</i>	<i>Description</i>
1		1	Speed Control ASM ●	9:3	103-9928	2	Bearing
2	120-7875-03	2	Arm-Control, Pump	9:4	114-0282	1	Screw-HH
3	104-8300	2	Nut-Flange, NI	9:5	3217-5	1	Nut-Hex
4	119-8574	2	Yoke-Female	10	120-7864	1	RH Motion Tube ASM
5	119-1857	2	Screw-Shoulder, HHF	10:1	119-8569	1	Tube ASM
6	114-3778	2	Nut-Lock, NI	10:2	103-9928	4	Bearing
7	119-1846	1	Grip	10:3	114-0282	1	Screw-HH
8	3230-1	2	Bolt-CARR	10:4	3217-5	1	Nut-Hex
9	119-8572	1	LH Motion Lever ASM	11	119-8581	1	Decal-Speed
9:2	119-0222	1	Grip	12	65-5380	2	Washer-Plain

● Not serviced separately



Speed Control Assembly

<i>Ref.</i>	<i>Part Number</i>	<i>Qty.</i>	<i>Description</i>	<i>Ref.</i>	<i>Part Number</i>	<i>Qty.</i>	<i>Description</i>
1	119-8695	1	Speed Control Base ASM	15	119-8573	1	Handle-Control, Speed
2	3229-1	2	Screw-CARR	16	119-1884	1	Retainer
3	321-4	1	Screw-HH	17	3253-21	1	Washer-Lock
4	119-8575	1	Slider ASM	18	104-8301	4	Nut-Flange, NI
5	119-1833	1	Bracket-Slider	19	119-1853	1	Link ASM
6	104-7201	3	Nut-HF	20	36-4780	1	Washer-Plain
7	115-0826	4	Spacer-Idler	21	119-8580	1	Cable-Tension
8	119-8577	2	Plate-Cable Adjust, Outer	22	119-1832	1	Washer-Clamp, Cable
9	322-8	4	Screw-HH	23	3296-42	1	Nut-Lock, NI
10	104-8300	5	Nut-Flange, NI	24	3218-1	2	Nut-Jam
12	119-1868	1	Washer	25	3256-24	3	Washer-Flat
13	108-2100	3	Washer-Spring, Curved	26	5-2653	3	Pulley ASM
14	3234-29	1	Screw-HHF	27	119-1867	1	Spacer



Count on it.