



Count on it.

Parts Catalog

55cm Recycler® Lawn Mower

Model No. 20955—Serial No. 311000001 and Up

Ordering Replacement Parts

To order replacement parts, please supply the part number, the quantity, and the description of each part desired.

Understanding Reference Numbers

Each identified part in an illustration has a reference number. The reference number for a part also appears in the parts list, along with other information about the part.

This catalog uses two special reference number formats, one to indicate parts in a service assembly and another to indicate the quantity of a given part in an illustration.

Service Assembly Reference Numbers

Parts in service assemblies have reference numbers in the form a:b. The a represents the reference number of the entire service assembly and the b represents a sequential number unique to each part within the service assembly.

For example, a wheel assembly might be identified by reference number 6, the tire by 6:1, the valve by 6:2, and the wheel by 6:3. When you order the assembly identified by reference number 6, you receive all parts identified by reference numbers 6:1, 6:2, and 6:3. However, you may also order any part individually. Reference numbers of this type appear in illustration and in parts lists.

Reference Numbers Indicating Quantity

In an illustration, if a reference number indicates more than one part, the reference number has the form nX y. The n represents the quantity of the part, the X is the multiplication symbol, and the y represents the reference number.

For example, in an illustration, the reference number 2X 37 means that two of the parts identified by reference number 37 are indicated.

List of Abbreviations

AR: as required

ASM: assembly

BBC: blade brake control

BHTF: button head thread forming

CARR: carriage

CCW: counter clockwise

CW: clockwise

DEG: degrees

DPA: Dual Point Adjustment

ECM: electronic control module

EXT: external

FH: flat head

GA: gauge

HD: heavy-duty

HF: hex flange

HH: hex head

HHF: hex head flange

HHFTF: hex head flange thread forming

HJ: hex jam

HLH: hex lag head

HOC: height-of-cut

HSBH: hex socket button head

HSFH: hex socket flat head

HSH: hex socket head

HWH: hex washer head

HWTF: hex washer head thread forming

HYD: hydraulic

LH: left hand

LP: Liquid Propane

NI: nylon insert

NPTF: national pipe thread fine

PFH: phillips flat head

PPH: phillips pan head

PPHTF: phillips pan head thread forming

PRH: phillips round head

PTH: phillips truss head

PTO: power-take-off

RH: right hand

ROPS: roll-over protection system

RRB: rear roller brush

SFH: slotted fillister head

SHH: slotted hex head

SHWH: slotted hex washer head

SPH: slotted pan head

SQH: square head

SRH: slotted round head

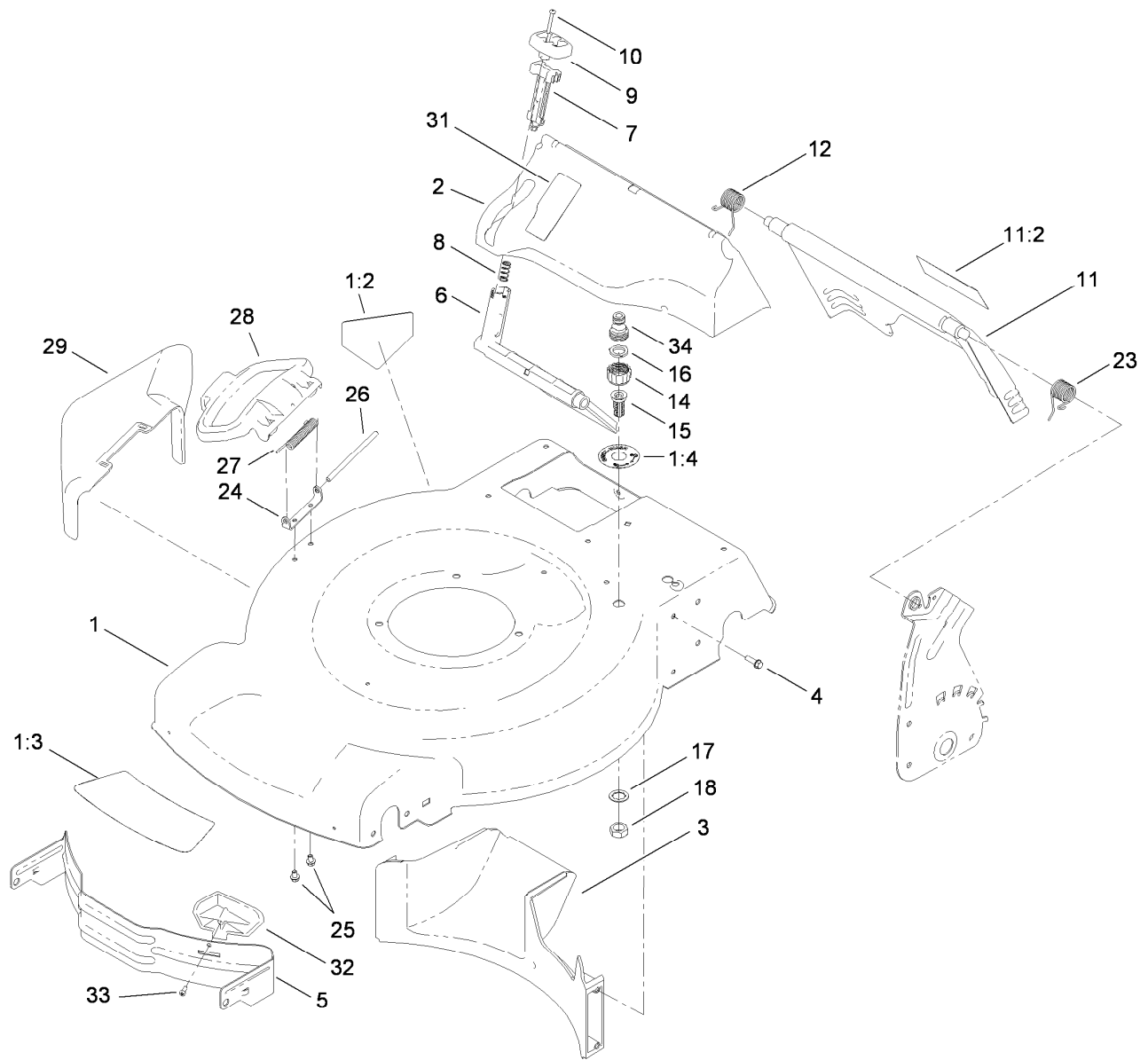
STD: standard

TAP: self tapping

TTH: torx truss head

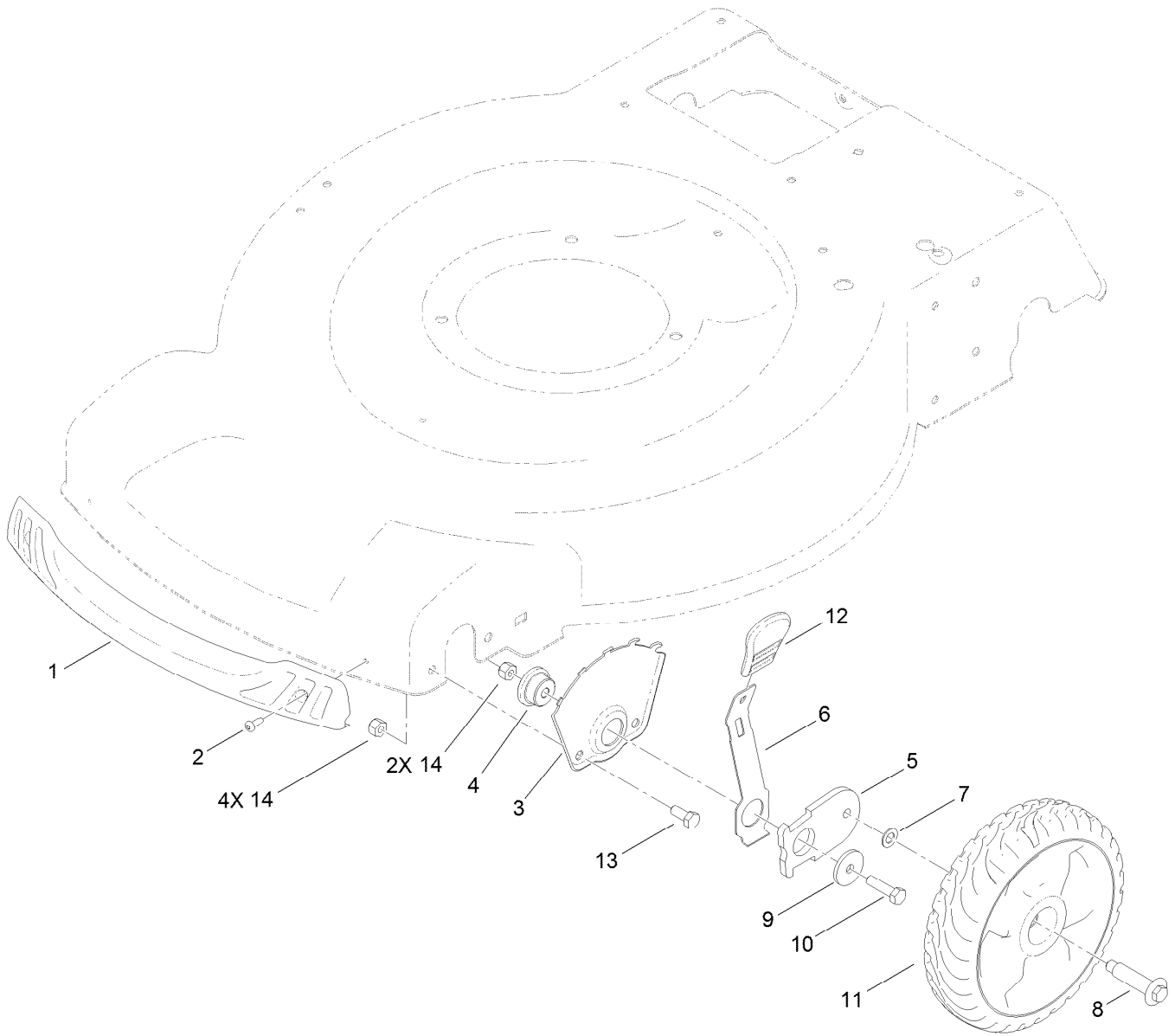
Contents

- Housing and Rear Door Assembly 4
- Front Wheel and Height-of-Cut Assembly 5
- Transmission and Rear Wheel Drive Assembly 6
- Engine and Blade Assembly 7
- Upper Handle Assembly 8
- Rear Bag Assembly 9
- Attachments and Accessories 10



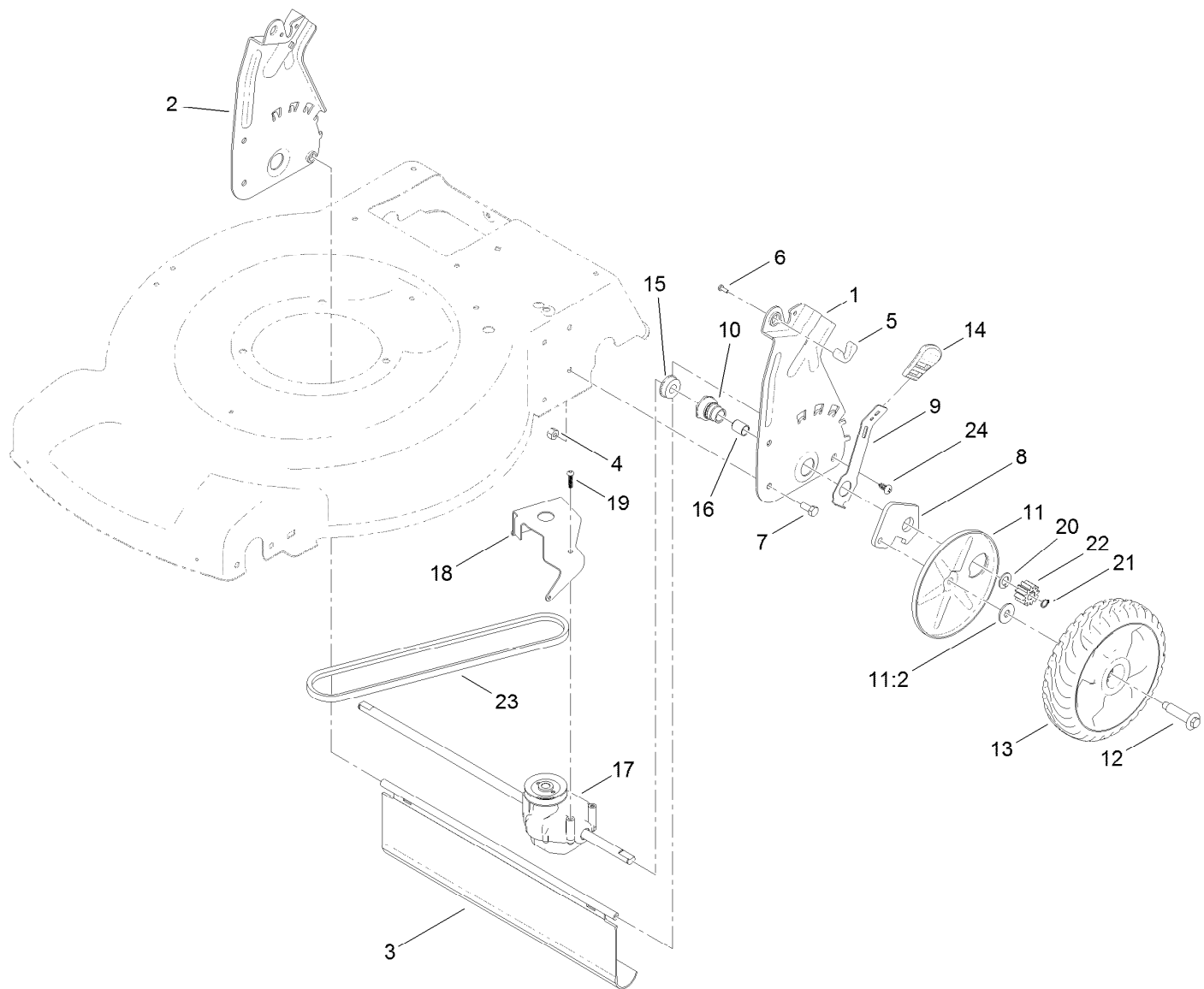
Housing and Rear Door Assembly

Ref.	Part Number	Qty.	Description	Ref.	Part Number	Qty.	Description
1	119-0282	1	Housing ASM	15	112-6400	1	Port-Washout
1:2	112-8760	1	Decal-Danger	16	112-6438	1	Washer-Seal, Washout Port
1:3	119-0283	1	Decal-Recycler	17	3254-5	1	Washer-Tooth, Internal
1:4	112-8867	1	Decal-Port, Washout	18	3218-6	1	Nut-Jam
2	115-4677	1	Chute-Recycle	23	115-2859	1	Spring-Torsion
3	114-7961	1	Baffle-Rear	24	112-6416	1	Bracket-Cover
4	46-8091	9	Screw-HWH	25	99-8445	2	Screw-HWH
5	115-4667-01	1	Baffle-Front	26	99-5291	1	Rod-Cover
6	114-7960	1	Deflector-Recycle	27	99-5293	1	Spring-Torsion
7	114-7959	1	Latch-Recycle	28	115-8449	1	Deflector-Side
8	117-1031	1	Spring-Compression	29	115-8447	1	Chute-Discharge, Side
9	114-7958	1	Knob-Recycle	31	119-0305	1	Decal-Bag On Demand
10	32104-120	2	Screw-PPH	32	115-4672	1	Kicker-Front
11	114-7992	1	Rear Door ASM	33	32144-111	1	Screw-PPH
11:2	114-7982	1	Decal-Warning	34	112-6437	1	Adapter-Connect, Quick
12	114-7924	1	Spring-Torsion				
14	112-6401	1	Coupling-Hose, Washout Port				



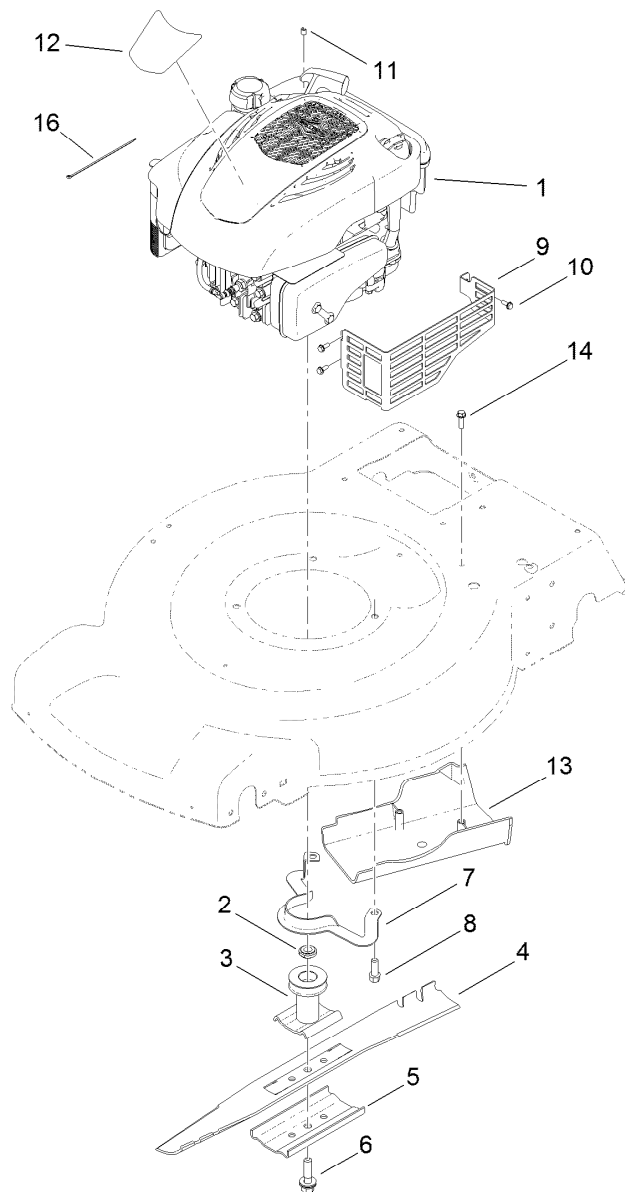
Front Wheel and Height-of-Cut Assembly

<i>Ref.</i>	<i>Part Number</i>	<i>Qty.</i>	<i>Description</i>
1	114-7987	1	Bumper
2	105-6849	2	Screw-Thread Forming
3	115-1956-03	2	Plate-HOC, Front
4	105-1818	2	Bushing-Mount, HOC
5	105-1807	2	Arm-Pivot, Front
6	105-1809	2	Arm-Spring
7	40-1940	2	Washer
8	614650	2	Bolt-Shoulder
9	105-3048	2	Washer-Flat
10	322-6	2	Screw-HH
11	115-2894	2	8 Inch Wheel ASM
12	110-0549	2	Knob-HOC
13	322-3	4	Screw-HH
14	3296-29	6	Nut-Lock, NI



Transmission and Rear Wheel Drive Assembly

<i>Ref.</i>	<i>Part Number</i>	<i>Qty.</i>	<i>Description</i>	<i>Ref.</i>	<i>Part Number</i>	<i>Qty.</i>	<i>Description</i>
1	114-7955-03	1	Plate-Rear, LH (HOC)	13	115-4695	2	8 Inch Wheel Gear ASM
2	114-7956-03	1	Plate-Rear, RH (HOC)	14	110-0549	2	Knob-HOC
3	115-2893	1	Shield-Trailing	15	104-8699	2	Bearing-Ball
4	3296-29	4	Nut-Lock, NI	16	108-9782	2	Bushing-Sleeve
5	115-8406	2	Anchor-Bag	17	115-4652	1	Transmission
6	105-9437	2	Screw-PPH	18	114-7977-03	1	Bracket-Transmission
7	322-3	4	Screw-HH	19	120-0185	3	Screw-Pan Head, T20
8	108-9781	2	Arm-Pivot, Rear	20	110-7191	2	Washer-Thrust
9	108-9780	2	Arm-Spring	21	32151-61	2	Ring-Retaining
10	108-9779	2	Retainer-Bushing, HOC	22	115-4668	2	Gear-Pinion, 12T
11	110-1792	2	Wheel Cover ASM	23	115-4669	1	Belt-V
11:2	614426	1	Washer-Stepped	24	117-1092	2	Screw-PTH
12	614650	2	Bolt-Shoulder				

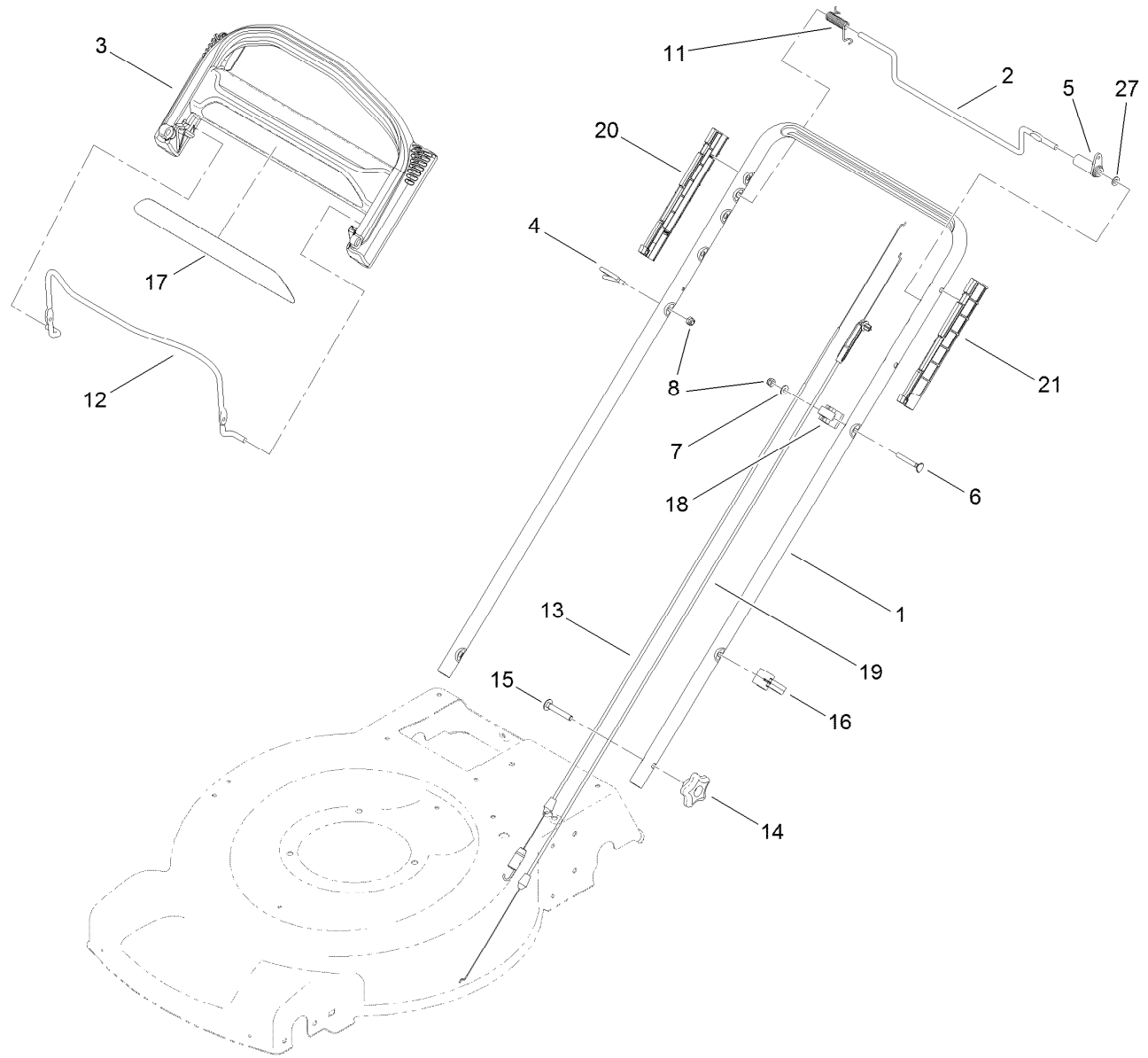


Engine and Blade Assembly

Ref.	Part Number	Qty.	Description
1		1	Engine-Briggs, 126T02-0325-B1 ●■
2	106-3999	1	Spacer-Driver
3	106-3987	1	Blade Driver ASM
4	108-9783-03	1	Blade
5	105-6848-03	1	Accelerator-Blade
6	105-8579	1	Bolt-Blade
7	105-3030-03	1	Guide-Belt
8	95-1726	3	Screw-Taptite
9	104-7577-03	1	Shield-Muffler
10	32144-1	3	Screw-Taptite
11	2210-316	1	Stop-Rope
12	120-1935	1	Decal-Shroud
13	114-7937	1	Cover-Belt
14	46-8091	2	Screw-HWH
16	110-7409	1	Tie-Cable, Motor

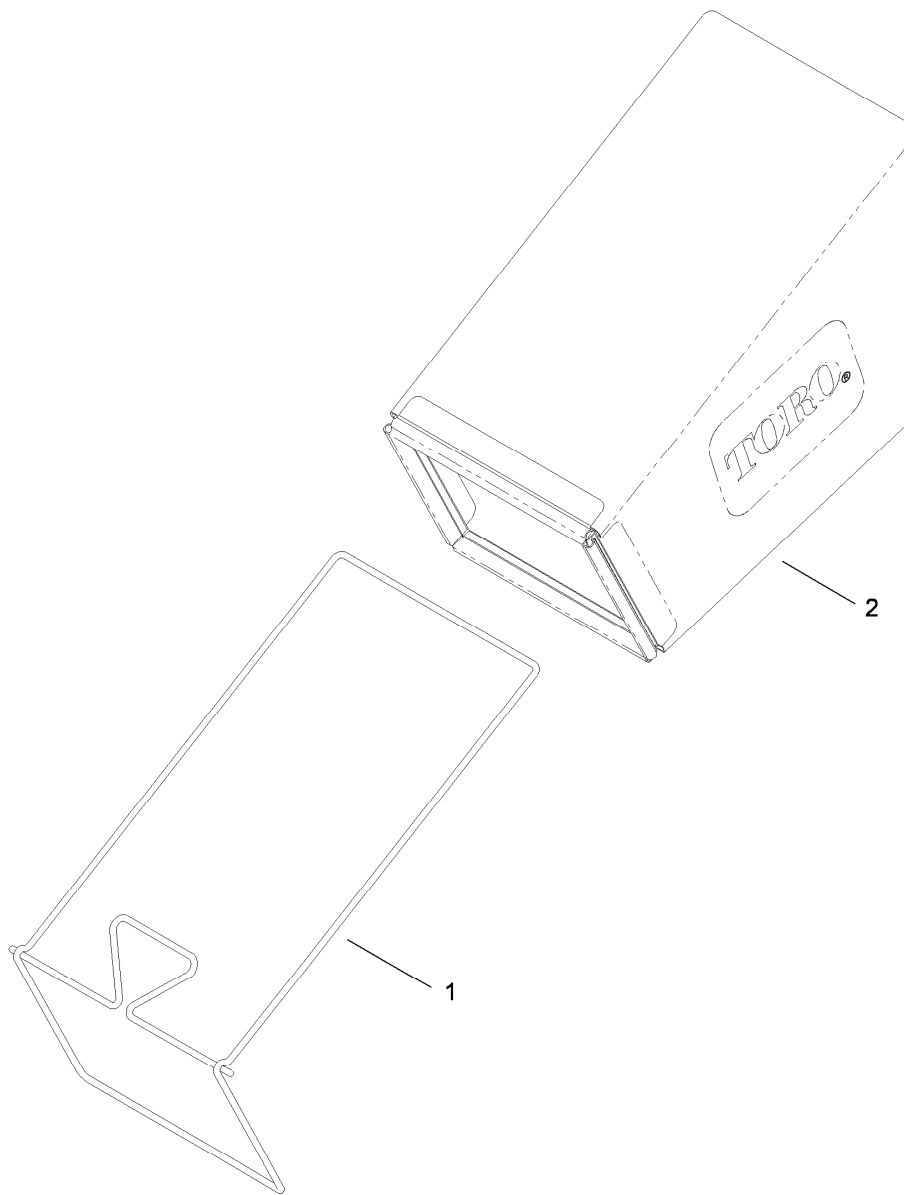
● Not serviced separately

■ Obtain parts from www.briggsandstratton.com



Upper Handle Assembly

<i>Ref.</i>	<i>Part Number</i>	<i>Qty.</i>	<i>Description</i>	<i>Ref.</i>	<i>Part Number</i>	<i>Qty.</i>	<i>Description</i>
1	119-3810-05	1	Handle	13	115-8435	1	Cable-Traction
2	99-1588	1	Bar-Control, Traction	14	117-5976	2	Knob-Handle, Locking
3	104-8678	1	Handle-Control	15	3230-6	2	Screw-CARR
4	86-9671	1	Guide-Rope	16	114-7988	1	Guide-Cable
5	99-1589	1	Lever-Traction	17	120-3911	1	Decal-Ads, Handle
6	95-4453	1	Screw	18	99-5239	1	Anchor-Cable
7	3256-1	1	Washer-Flat	19	115-8437	1	Cable-Brake
8	3296-73	2	Nut-Lock, NI	20	105-6841	1	Guide-RH
11	104-8690	1	Spring-Torsion	21	105-6842	1	Guide-LH
12	104-8679-03	1	Bail-Brake	27	3256-23	1	Washer-Flat



Rear Bag Assembly

<i>Ref.</i>	<i>Part Number</i>	<i>Qty.</i>	<i>Description</i>
1	114-2679-03	1	Frame-Bag
2	115-4673	1	Grass Bag ASM

Attachments and Accessories

For 20955 55cm Recycler Lawn Mower

Product Name

Model/Part

Traction Assist Handle Kit.....	108-8120
22 inch Blade Kit.....	59534

Notes:



Count on it.