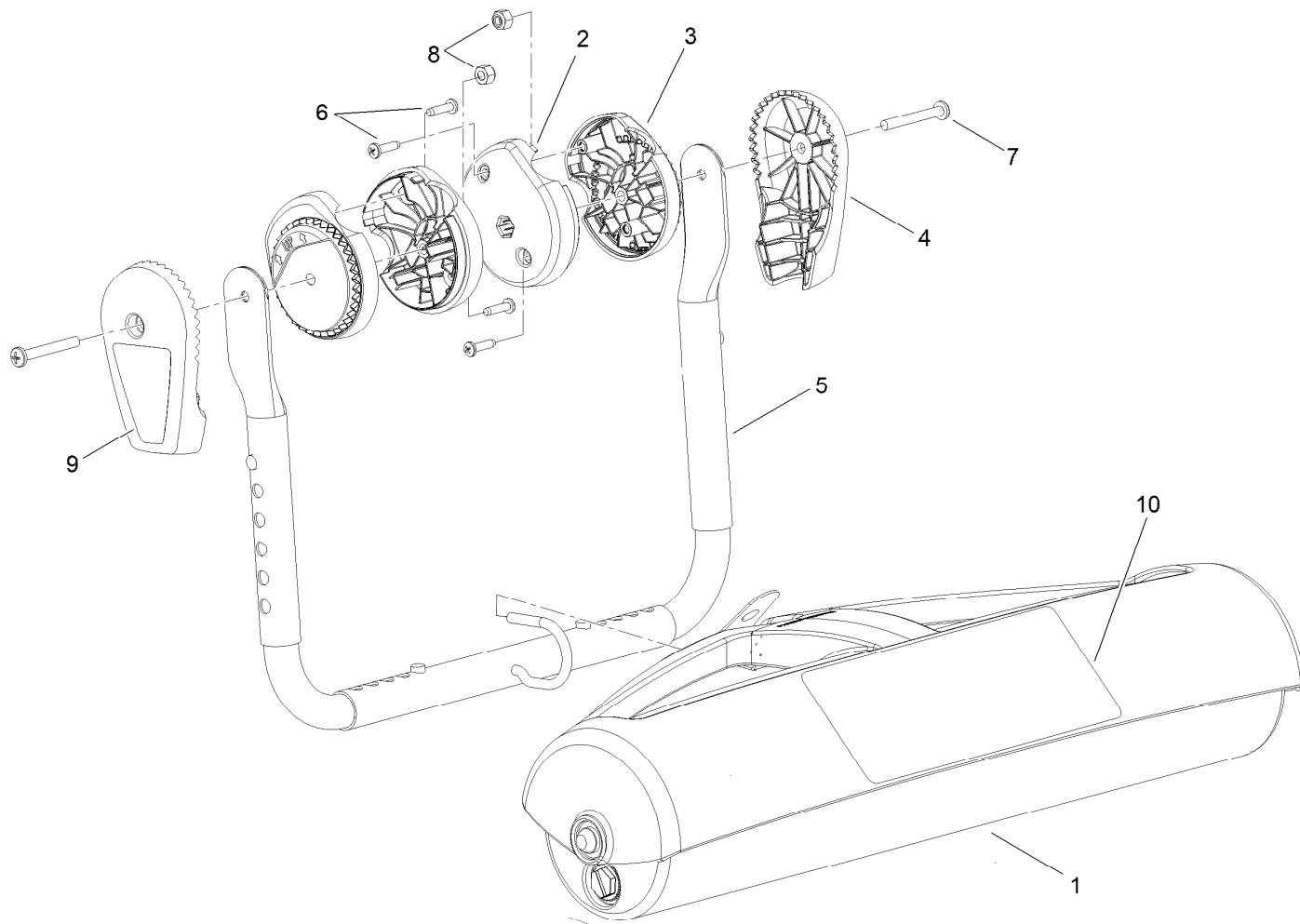




Count on it.

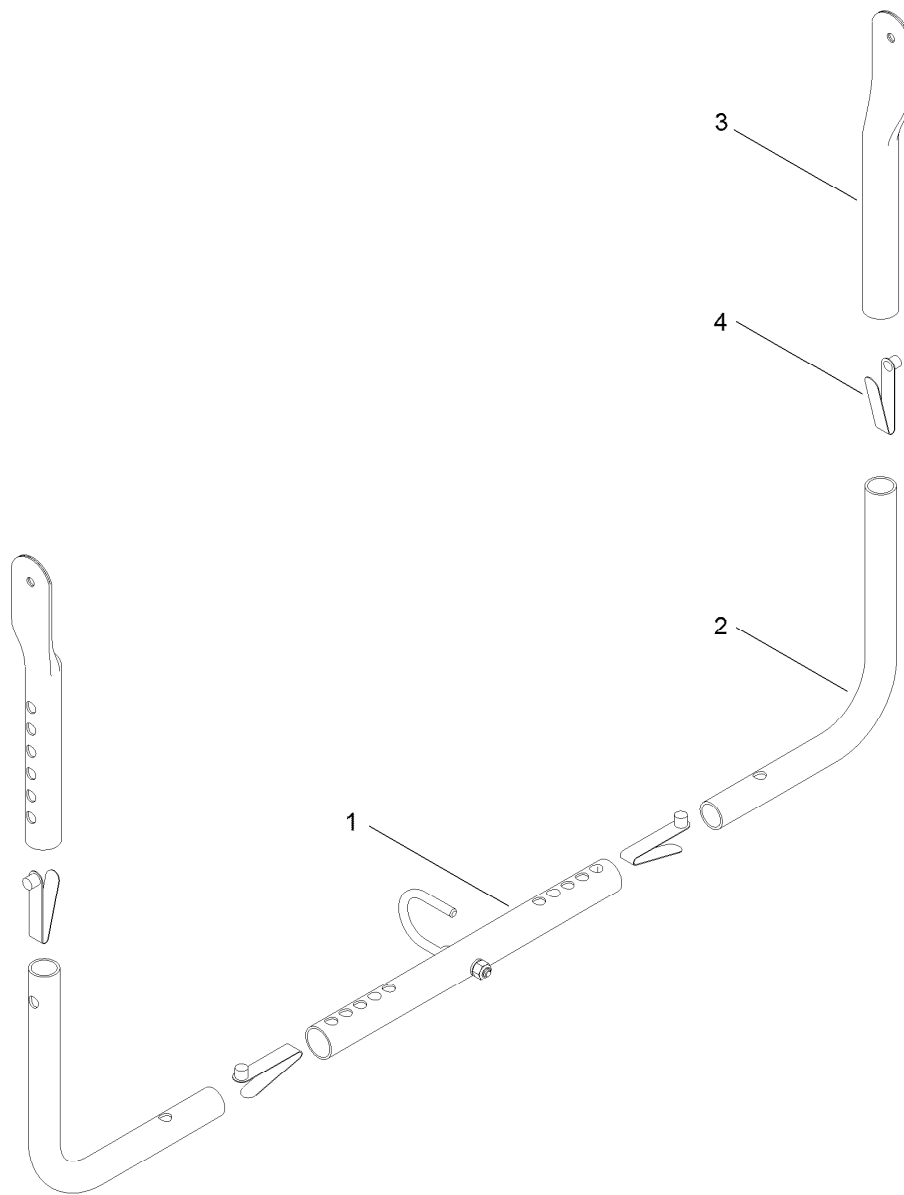
Parts Catalog

Lawn Striping Kit
Walk-Behind Lawn Mowers
Model No. 20601



Lawn Striping Kit Assembly

<i>Ref.</i>	<i>Part Number</i>	<i>Qty.</i>	<i>Description</i>
1	120-7051	1	Roller ASM
2	120-7052	2	Clamp-Handle, Inner
3	120-7053	2	Clamp-Handle, Outer
4	120-7054	2	Clamp-Adjuster, Angle
5	120-7055	1	Tube ASM
6	32144-124	4	Screw-PPH
7	1-801063	2	Screw
8	363-8633	2	Nut-HH, NI
9	120-7065	1	Decal-Attachment
10	120-7070	1	Decal-Cover



Tube Assembly

<i>Ref.</i>	<i>Part Number</i>	<i>Qty.</i>	<i>Description</i>
1	120-7056	1	Hitch Tube ASM
2	120-7057	2	Tube-Corner
3	120-7058	2	Tube-Down
4	120-7059	4	Button-Snap, A Style



Count on it.