

Hour Meter Kit for Zero-Turn-Radius Riding Mower

Model No. 112-9763

Installation Instructions

Note: Determine the left and right sides of the machine from the normal operating position.

Installation

Loose Parts

Use the chart below to verify that all parts have been shipped.

Procedure	Description	Qty.	Use
2	Hour meter	1	Assemble the hour meter.
	Mounting clip (some kits only)	1	
3	Self tapping screws	2	Install the hour meter.
4	Hour meter wiring harness	1	Connect the hour meter.


1

Preparing the Machine

No Parts Required

Procedure


1. Park the machine on a level surface and disengage the blade control switch.
2. Move the motion control levers outward to the park position, stop the engine, remove the key, and wait for all moving parts to stop before leaving the operating position.
3. Lift the seat forward and lower it to the floor board to access the battery, frame and wiring harness.
4. Locate the battery and negative terminal.



Servicing a machine with a live electrical system can result in electric shock.

Always *disconnect* the negative (black) battery cable before performing any service on the machine.

5. Disconnect the negative (black) ground cable from the battery post. Retain all fasteners.



Incorrect battery cable routing could damage the machine and cables causing sparks. Sparks can cause the battery gasses to explode, resulting in personal injury.

- Always *disconnect* the negative (black) battery cable before disconnecting the positive (red) cable.
- Always *connect* the positive (red) battery cable before connecting the negative (black) cable.

2

Assembling the Hour Meter

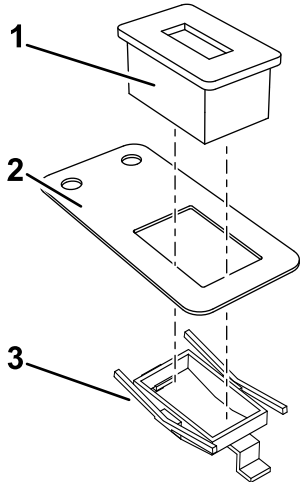
Parts needed for this procedure:

1	Hour meter
1	Mounting clip (some kits only)

Procedure

Locate and inspect the hourmeter in loose parts.

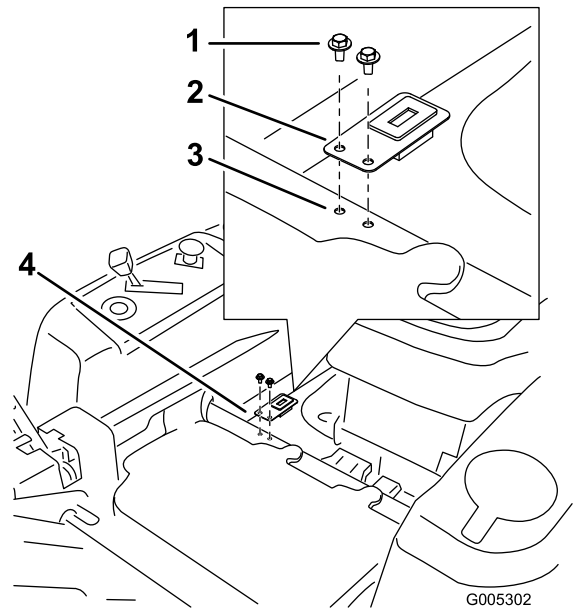
- For hourmeters with a separate mounting clip:
Install the hour meter to the bracket with a mounting clip as shown in Figure 1



G005542

Figure 1

- 1. Hour meter
- 2. Bracket
- 3. Mounting clip

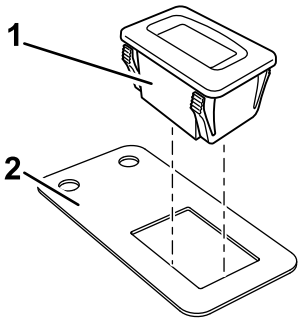


G005302

Figure 3

- 1. Self tapping screw
- 2. Hour meter
- 3. Holes in frame
- 4.

- For hourmeters with integrated mounting clips:
Install the hour meter to the bracket as shown in Figure 2.



G015643

Figure 2

- 1. Hour meter
- 2. Bracket

3

Installing the Hour Meter

Parts needed for this procedure:

2	Self tapping screws
---	---------------------

Procedure

1. Locate the two holes in the frame support shown in Figure 3. Install the hour meter assembly to the location as shown.

2. Use the self tapping screws to install the bracket onto the seat support in the orientation shown in Figure 3.

4

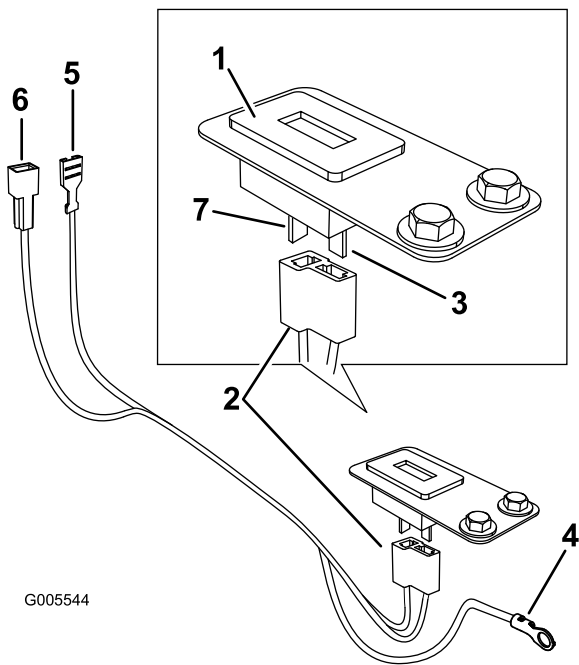
Connecting the Hour Meter

Parts needed for this procedure:

1	Hour meter wiring harness
---	---------------------------

Procedure

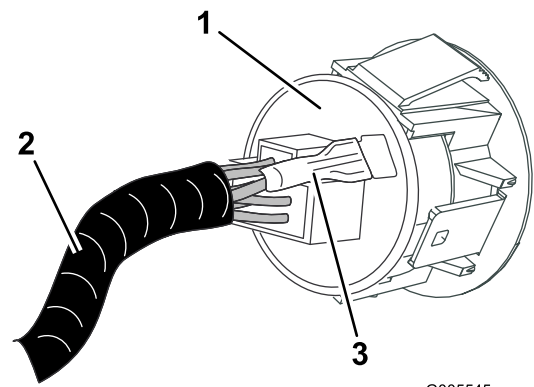
1. Locate the hour meter wiring harness in loose parts.
2. Locate the female box connector at the end of the wiring harness. It has two offset slots to mate with the hour meter.
3. Install the positive female box connector to the male plugs on the underside of the hour meter as shown in Figure 4.



G005544

Figure 4

- | | |
|--|--|
| 1. Hour meter | 5. Single female terminal, wiring harness |
| 2. Female box connector | 6. Enclosed male terminal, wiring harness |
| 3. Positive male plug | 7. Negative male plug, hour meter |
| 4. Ring connector to negative battery terminal, wiring harness | 8. Negative connector (black) wiring harness |



G005545

Figure 5

- | | |
|-------------------------|-----------------------------------|
| 1. Ignition switch base | 3. Single wire and outer terminal |
| 2. Wiring harness | |

-
6. Remove the single wire from the outer terminal at the base of the ignition switch (Figure 5).

-
4. Locate the single female and the enclosed male terminals at the opposite end of the wiring harness (Figure 4).
 5. Route these terminals to the under side of the control panel and locate the ignition switch base (Figure 5).

Note: Depending on the machine, it may be necessary to remove the four screws securing the control panel to the console to access the ignition switch base.

7. Install the single female terminal at the end of the hour meter wiring harness to the open terminal on the base of the ignition switch (Figure 6).

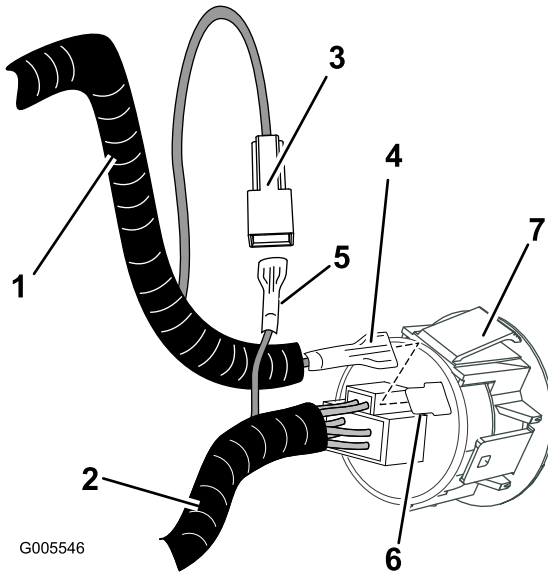


Figure 6

- | | |
|---|-----------------------------------|
| 1. Hour meter wiring harness | 5. Single wire removed previously |
| 2. Wiring harness | 6. Open terminal, ignition switch |
| 3. Enclosed male terminal, wiring harness | 7. Ignition switch base |
| 4. Single female terminal, wiring harness | |

-
8. Install the single wire from the wiring harness removed previously to the enclosed male terminal on the hour meter wiring harness to complete the circuit (Figure 6).
 9. Route the remaining ring terminal on the hour meter harness to the negative battery post. Secure the hour meter ring terminal and negative battery cable to the negative terminal using the existing fasteners.
 10. Verify the display has power by turning the ignition key to run. The hour meter will run when the ignition key is in the Run position. An hourglass symbol flashes on the meter display when it is running.