



Count on it.

Parts Catalog

Commercial 53cm

Lawn Mower

Model No. 22186TE—Serial No. 311000001 and Up

Ordering Replacement Parts

To order replacement parts, please supply the part number, the quantity, and the description of each part desired.

Understanding Reference Numbers

Each identified part in an illustration has a reference number. The reference number for a part also appears in the parts list, along with other information about the part.

This catalog uses two special reference number formats, one to indicate parts in a service assembly and another to indicate the quantity of a given part in an illustration.

Service Assembly Reference Numbers

Parts in service assemblies have reference numbers in the form a:b. The a represents the reference number of the entire service assembly and the b represents a sequential number unique to each part within the service assembly.

For example, a wheel assembly might be identified by reference number 6, the tire by 6:1, the valve by 6:2, and the wheel by 6:3. When you order the assembly identified by reference number 6, you receive all parts identified by reference numbers 6:1, 6:2, and 6:3. However, you may also order any part individually. Reference numbers of this type appear in illustration and in parts lists.

Reference Numbers Indicating Quantity

In an illustration, if a reference number indicates more than one part, the reference number has the form nX y. The n represents the quantity of the part, the X is the multiplication symbol, and the y represents the reference number.

For example, in an illustration, the reference number 2X 37 means that two of the parts identified by reference number 37 are indicated.

List of Abbreviations

AR: as required

ASM: assembly

BBC: blade brake control

BHTF: button head thread forming

CARR: carriage

CCW: counter clockwise

CW: clockwise

DEG: degrees

DPA: Dual Point Adjustment

ECM: electronic control module

EXT: external

FH: flat head

GA: gauge

HD: heavy-duty

HF: hex flange

HH: hex head

HHF: hex head flange

HHFTF: hex head flange thread forming

HJ: hex jam

HLH: hex lag head

HOC: height-of-cut

HSBH: hex socket button head

HSFH: hex socket flat head

HSH: hex socket head

HWH: hex washer head

HWTF: hex washer head thread forming

HYD: hydraulic

LH: left hand

LP: Liquid Propane

NI: nylon insert

NPTF: national pipe thread fine

PFH: phillips flat head

PPH: phillips pan head

PPHTF: phillips pan head thread forming

PRH: phillips round head

PTH: phillips truss head

PTO: power-take-off

RH: right hand

ROPS: roll-over protection system

RRB: rear roller brush

SFH: slotted fillister head

SHH: slotted hex head

SHWH: slotted hex washer head

SPH: slotted pan head

SQH: square head

SRH: slotted round head

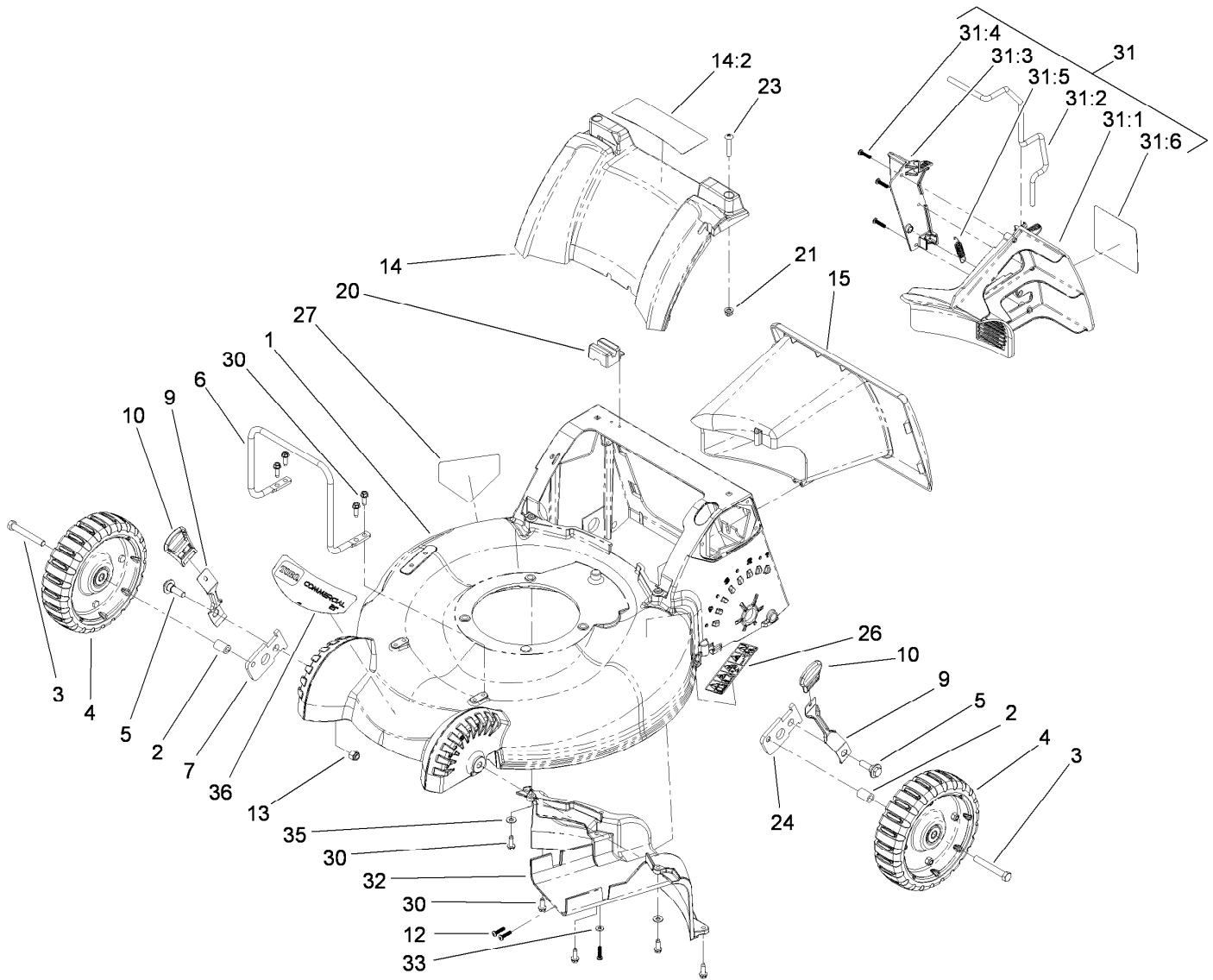
STD: standard

TAP: self tapping

TTH: torx truss head

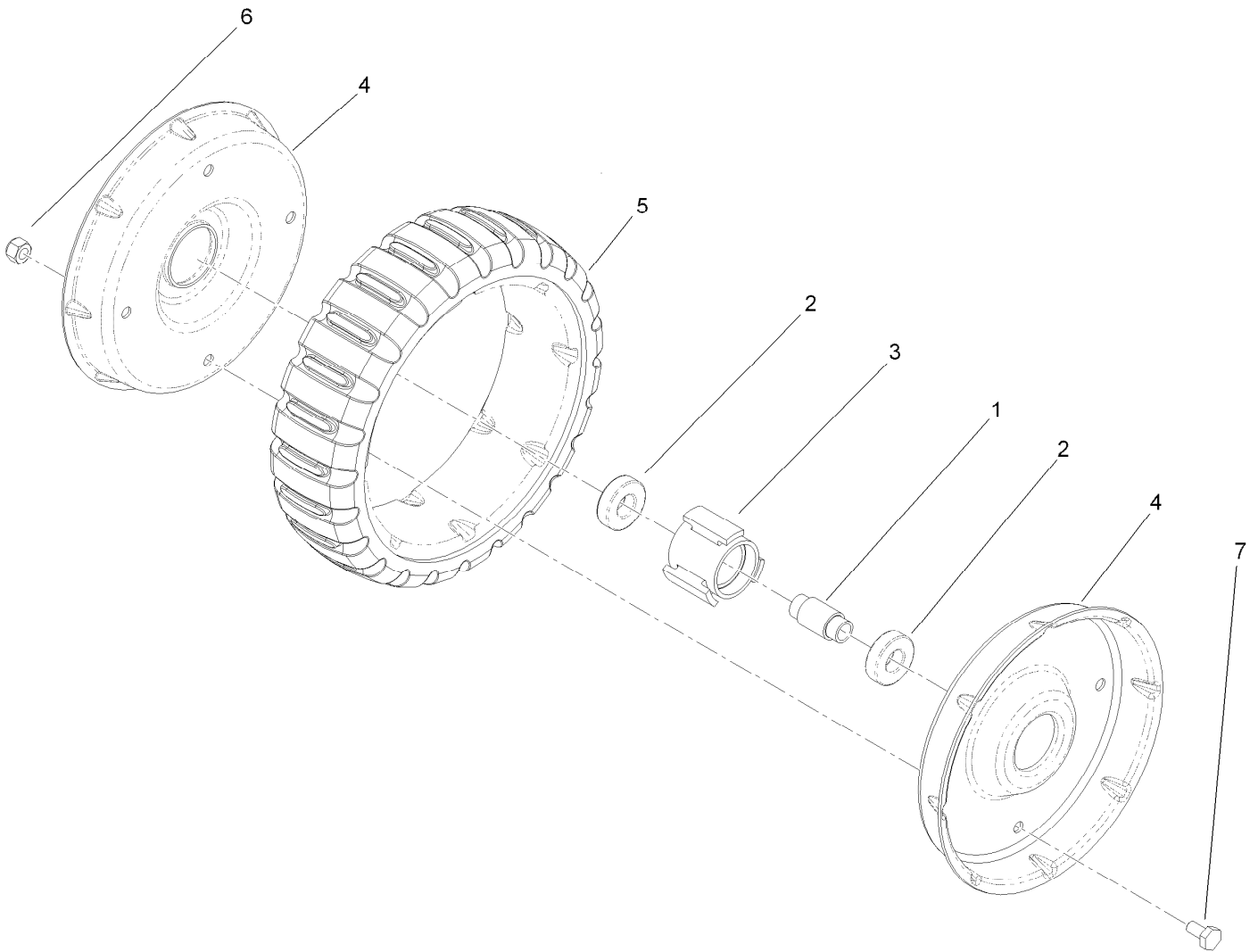
Contents

- Housing and Tunnel Assembly..... 4
- Wheel Assembly No. 117-5252..... 5
- Discharge Door and Rear Wheel Assembly..... 6
- Wheel Assembly No. 117-5253..... 7
- Engine and Blade Assembly..... 8
- Handle Assembly..... 9
- Rear Bag Assembly..... 10



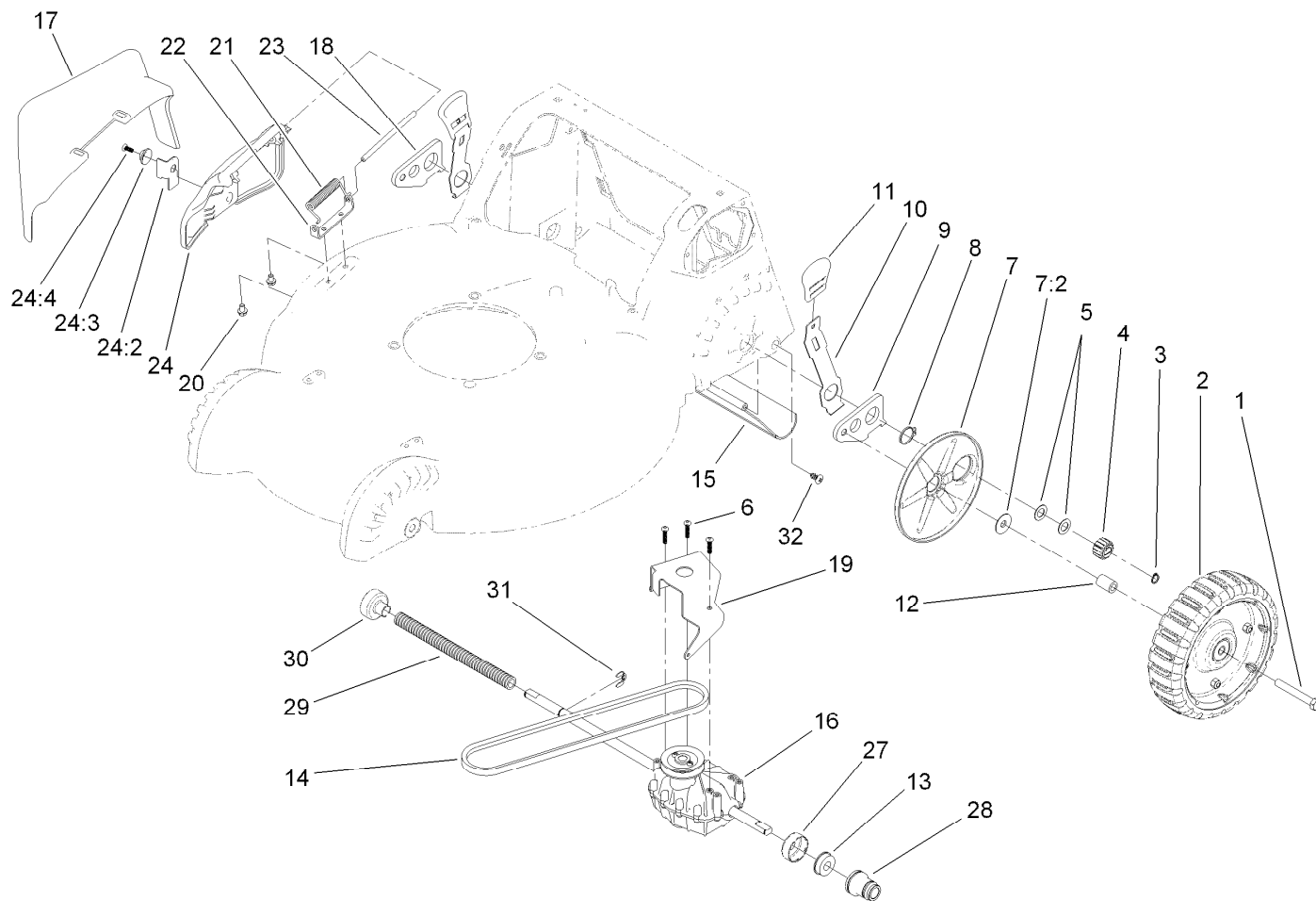
Housing and Tunnel Assembly

Ref.	Part Number	Qty.	Description	Ref.	Part Number	Qty.	Description
1	117-5296	1	Housing ASM	23	108-0965	2	Screw-PTH
2	114-2754	2	Spacer	24	110-9420	1	Arm-Pivot, LH
3	323-13	2	Screw-HH	26	110-4978	1	Decal-Danger
4	117-5252	2	8-Inch Wheel ASM	27	112-8760	1	Decal-Danger
5	614672	2	Bolt-Shoulder	30	49-2040	9	Screw-HWHTF
6	110-9475-03	1	Guard-Engine	31	110-9468	1	Mulch Plug ASM
7	110-9421	1	Arm-Pivot, RH	31:1	110-9446	1	Plug-Mulch, LH
9	110-9434	2	Arm-Spring, Front	31:2	110-9448	1	Latch-Plug, Mulch
10	110-0549	2	Knob-HOC	31:3	110-9447	1	Plug-Mulch, RH
12	108-7476	6	Screw-Plastite	31:4	108-7476	3	Screw-Plastite
13	3296-39	2	Nut-Lock, NI	31:5	110-9458	1	Spring-Extension
14	115-3177	1	Cover-Rear	31:6	110-9457	1	Decal-Plug, Mulch
14:2	114-2820	1	Decal-Warning	32	110-9413	1	Baffle-Rear
15	110-9455	1	Tunnel	33	3256-14	1	Washer-Flat
20	110-1786	1	Module-Switch	35	3256-22	2	Washer-Flat
21	94-1610	2	Nut-Clip	36	119-2339	1	Decal-Housing, Front



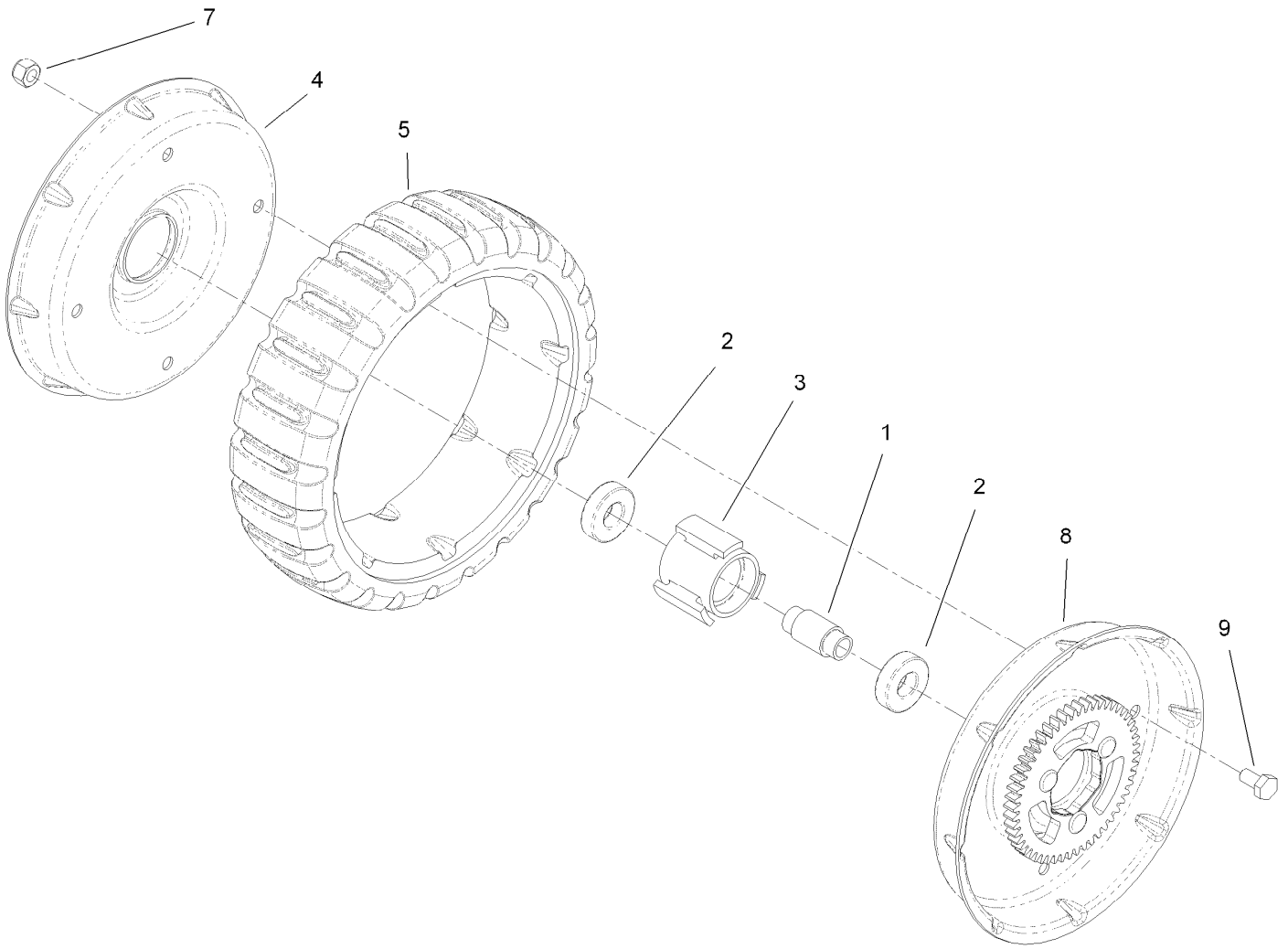
Wheel Assembly No. 117-5252

<i>Ref.</i>	<i>Part Number</i>	<i>Qty.</i>	<i>Description</i>
1	52-2440	1	Spacer-Bearing
2	52-2450	2	Bearing-Wheel
3	52-2410	1	Hub-Bearing
4	117-5250	2	Wheel-Half
5	110-9499	1	Tire-8 Inch
6	3296-42	4	Nut-Lock, NI
7	321-2	4	Screw-HH



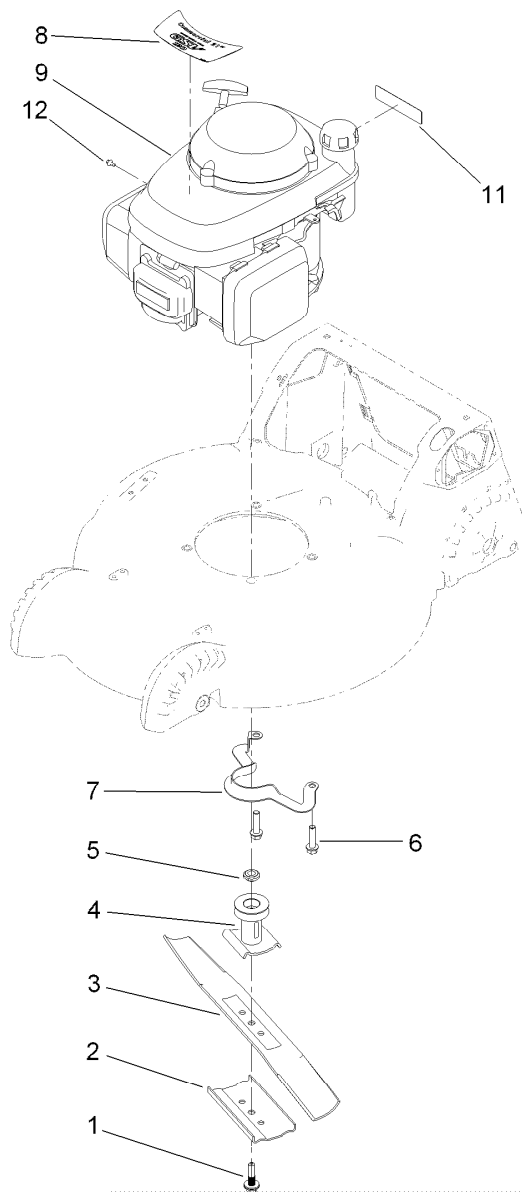
Discharge Door and Rear Wheel Assembly

Ref.	Part Number	Qty.	Description	Ref.	Part Number	Qty.	Description
1	323-13	2	Screw-HH	17	105-3028	1	Chute-Discharge, Side
2	117-5253	2	8-Inch Wheel ASM	18	108-9343	1	Arm-Rear Pivot, RH
3	32151-61	2	Ring-Retaining	19	114-7977-03	1	Bracket-Transmission
4	110-9417	2	Gear-Pinion, 15T	20	99-8445	2	Screw-HWH
5	36-4780	2	Washer-Plain	21	99-5293	1	Spring-Torsion
6	108-7476	3	Screw-Plastite	22	112-6416	1	Bracket-Cover
7	110-1792	2	Wheel Cover ASM	23	99-5291	1	Rod-Cover
7:2	614426	1	Washer-Stepped	24	106-8376	1	Discharge Door ASM
8	32151-36	2	Ring-Retaining	24:2	107-0795	1	Latch-Door
9	108-9344	1	Arm-Rear Pivot, LH	24:3	107-7456	1	Cap-Door
10	110-9445	2	Arm-Spring, Rear	24:4	107-7461	1	Screw-Plastite
11	110-0549	2	Knob-HOC	27	117-5268	1	Cover-Bearing
12	114-2754	2	Spacer	28	110-9422	2	Retainer-Bearing
13	104-8699	2	Bearing-Ball	29	117-5260	1	Cover-Shaft, Drive
14	110-9429	1	V-Belt	30	114-2755	1	Cap-Bearing
15	112-8768	1	Shield-Trailing	31	65-2720	1	Ring-Clip, Locking
16	114-2819	1	Transmission	32	117-1092	2	Screw-PTH



Wheel Assembly No. 117-5253

<i>Ref.</i>	<i>Part Number</i>	<i>Qty.</i>	<i>Description</i>
1	52-2440	1	Spacer-Bearing
2	52-2450	2	Bearing-Wheel
3	52-2410	1	Hub-Bearing
4	117-5250	1	Wheel-Half
5	110-9499	1	Tire-8 Inch
7	3296-42	4	Nut-Lock, NI
8	117-5251	1	Hub Gear ASM
9	321-2	4	Screw-HH

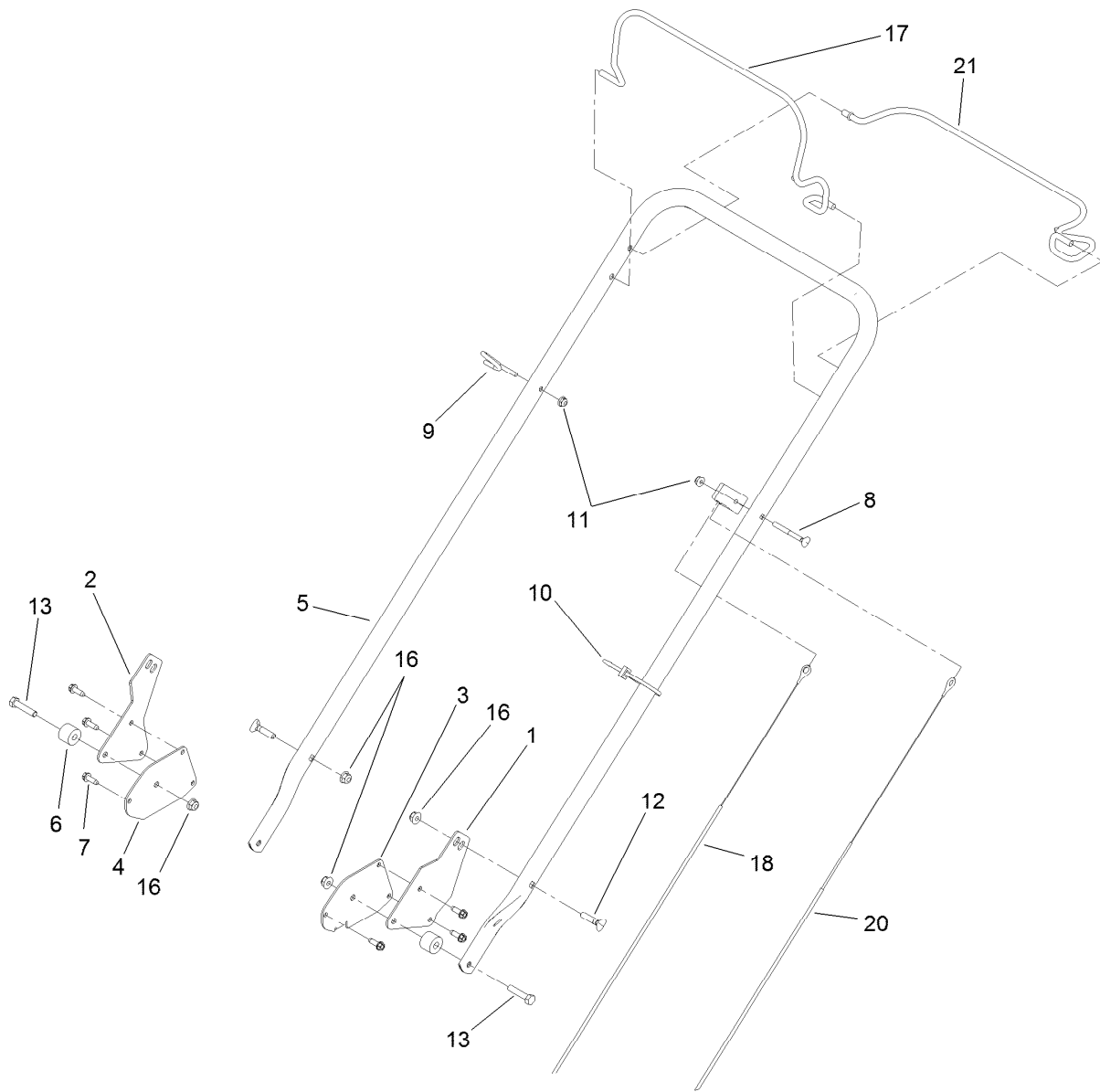


Engine and Blade Assembly

Ref.	Part Number	Qty.	Description
1	117-5270	1	Bolt-Blade
2	108-3766-03	1	Support-Blade
3	108-3759-03	1	Blade-Bagging
4	114-2774	1	Driver-Blade
5	106-3999	1	Spacer-Driver
6	32144-102	3	Screw-HWH
7	108-8110-03	1	Guide-Belt
8	117-5245	1	Decal-Engine
9		1	Engine-Honda, Gsv190 ●■
11	117-2718	1	Decal-Arrester, Spark
12	98-1394	1	Screw-HWH

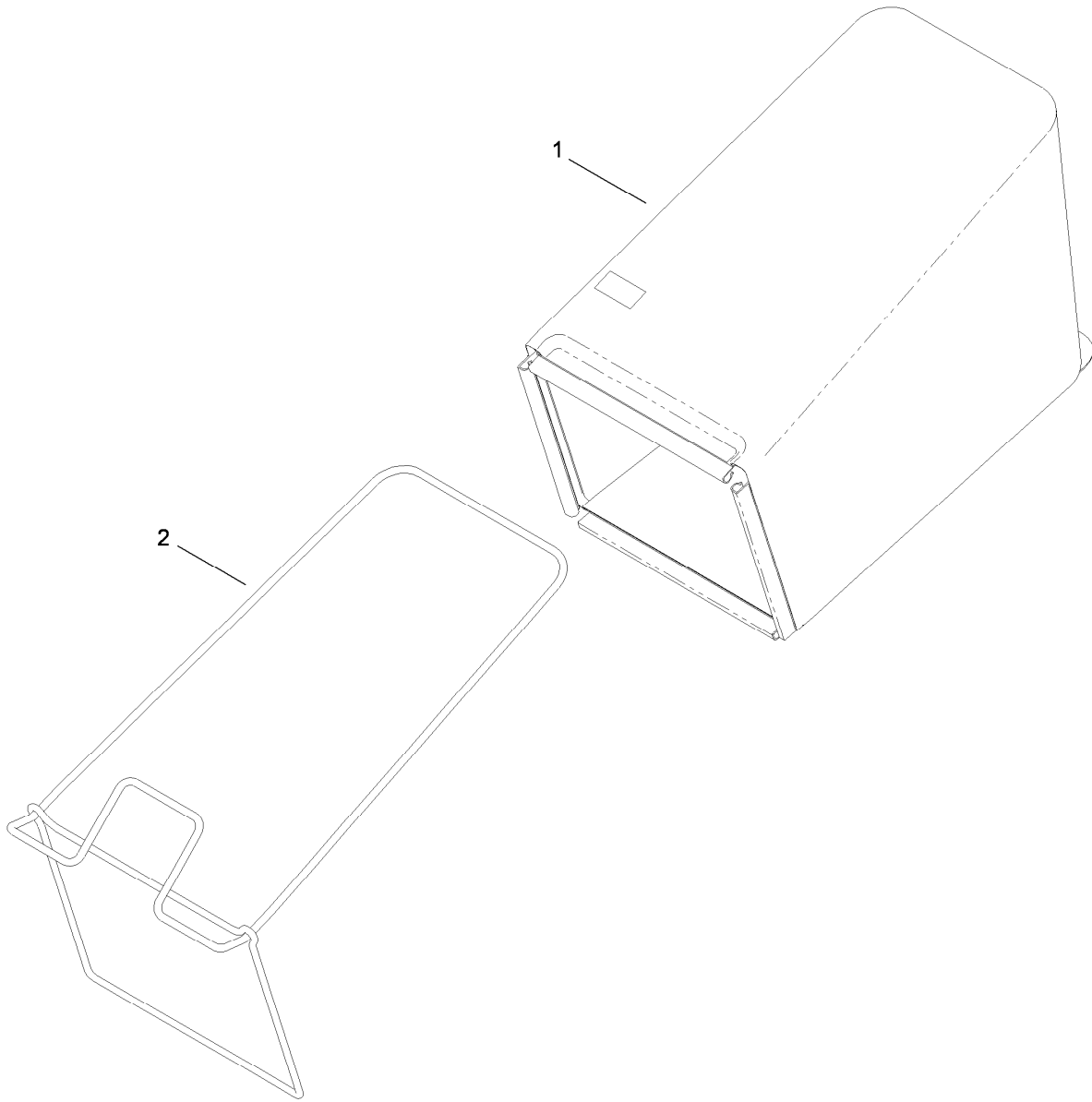
● Not serviced separately

■ Obtain parts from www.honda-engines.com



Handle Assembly

<i>Ref.</i>	<i>Part Number</i>	<i>Qty.</i>	<i>Description</i>	<i>Ref.</i>	<i>Part Number</i>	<i>Qty.</i>	<i>Description</i>
1	110-9494-03	1	Support-Strut, LH	10	3290-378	1	Tie-Cable
2	110-9495-03	1	Support-Strut, RH	11	104-7201	2	Nut-HF
3	114-2760-03	1	Plate-Handle, Traction	12	92-4095	2	Screw-Handle
4	110-9471-03	1	Plate-Handle	13	322-7	2	Screw-HH
5	119-2372-03	1	Handle	16	104-8300	4	Nut-Flange, NI
6	112-8797-03	2	Spacer	17	119-2388-03	1	Bail-Brake
7	49-2040	6	Screw-HWHTF	18	119-2352	1	Cable-Brake
8	92-2270	1	Screw-Handle	20	119-2353	1	Cable-Traction
9	114-2775	1	Guide-Rope	21	119-2387-03	1	Bail-Traction



Rear Bag Assembly

<i>Ref.</i>	<i>Part Number</i>	<i>Qty.</i>	<i>Description</i>
1	117-4191	1	Grass Bag ASM
2	112-8750-03	1	Frame-Bag

Notes:



Count on it.