



**Count on it.**

**Parts Catalog**

**Z580-D Z Master®**

**With 132cm TURBO FORCE® Side Discharge  
Mower**

**Model No. 74264TE—Serial No. 290000001 and Up**

# Ordering Replacement Parts

To order replacement parts, please supply the part number, the quantity, and the description of each part desired.

## Understanding Reference Numbers

Each identified part in an illustration has a reference number. The reference number for a part also appears in the parts list, along with other information about the part.

This catalog uses two special reference number formats, one to indicate parts in a service assembly and another to indicate the quantity of a given part in an illustration.

## Service Assembly Reference Numbers

Parts in service assemblies have reference numbers in the form a:b. The a represents the reference number of the entire service assembly and the b represents a sequential number unique to each part within the service assembly.

For example, a wheel assembly might be identified by reference number 6, the tire by 6:1, the valve by 6:2, and the wheel by 6:3. When you order the assembly identified by reference number 6, you receive all parts identified by reference numbers 6:1, 6:2, and 6:3. However, you may also order any part individually. Reference numbers of this type appear in illustration and in parts lists.

## Reference Numbers Indicating Quantity

In an illustration, if a reference number indicates more than one part, the reference number has the form nX y. The n represents the quantity of the part, the X is the multiplication symbol, and the y represents the reference number.

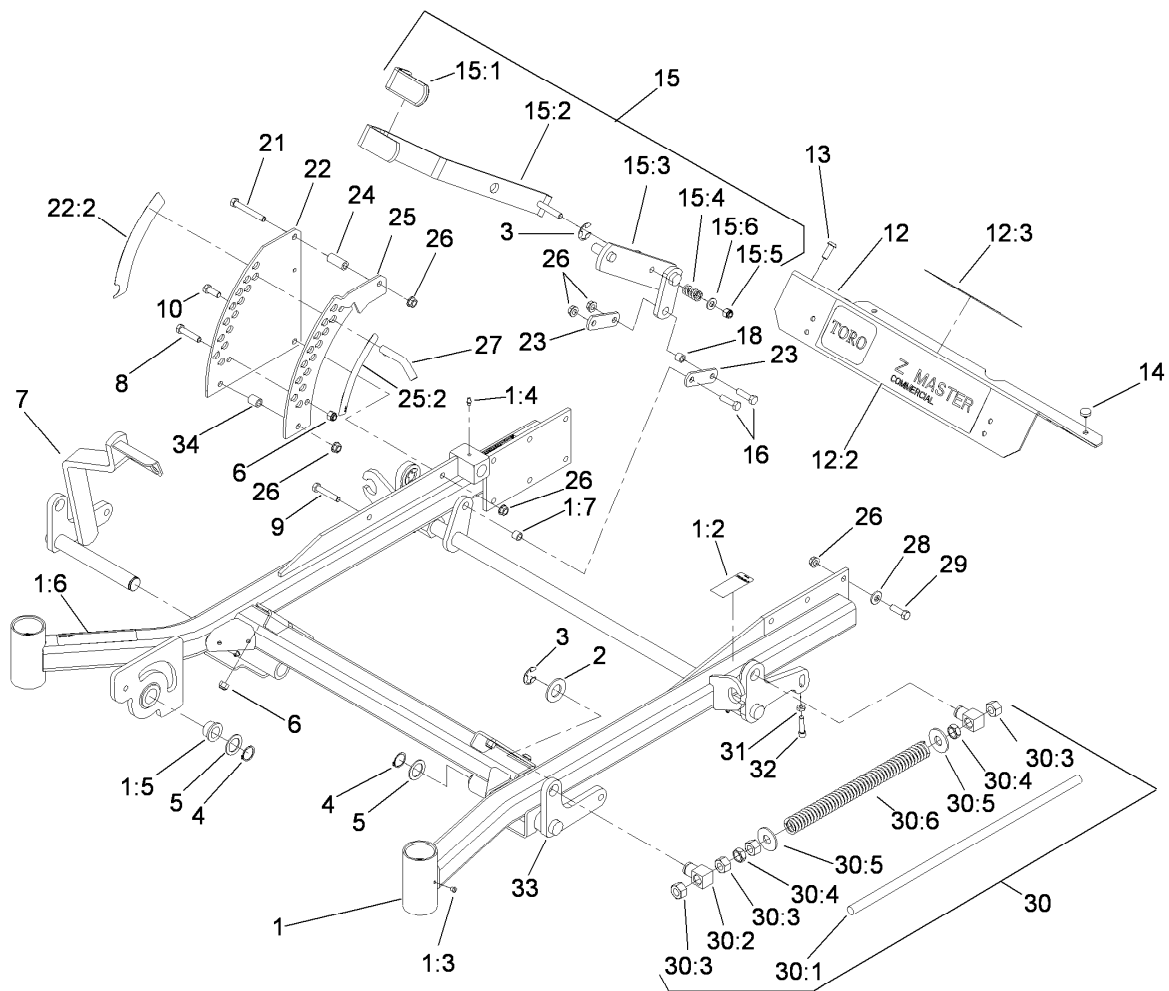
For example, in an illustration, the reference number 2X 37 means that two of the parts identified by reference number 37 are indicated.

# List of Abbreviations

<b>AR:</b> as required	<b>HOC:</b> height-of-cut	<b>RRB:</b> rear roller brush
<b>ASM:</b> assembly	<b>HSBH:</b> hex socket button head	<b>SFH:</b> slotted fillister head
<b>BBC:</b> blade brake control	<b>HSFH:</b> hex socket flat head	<b>SHH:</b> slotted hex head
<b>BHTF:</b> button head thread forming	<b>HSH:</b> hex socket head	<b>SHWH:</b> slotted hex washer head
<b>CARR:</b> carriage	<b>HWH:</b> hex washer head	<b>SPH:</b> slotted pan head
<b>CCW:</b> counter clockwise	<b>HWTF:</b> hex washer head thread forming	<b>SQH:</b> square head
<b>CW:</b> clockwise	<b>HYD:</b> hydraulic	<b>SRH:</b> slotted round head
<b>DEG:</b> degrees	<b>LH:</b> left hand	<b>STD:</b> standard
<b>DPA:</b> Dual Point Adjustment	<b>LP:</b> Liquid Propane	<b>TAP:</b> self tapping
<b>ECM:</b> electronic control module	<b>NI:</b> nylon insert	<b>TTH:</b> torx truss head
<b>EXT:</b> external	<b>NPTF:</b> national pipe thread fine	
<b>FH:</b> flat head	<b>PFH:</b> phillips flat head	
<b>GA:</b> gauge	<b>PPH:</b> phillips pan head	
<b>HD:</b> heavy-duty	<b>PPHTF:</b> phillips pan head thread forming	
<b>HF:</b> hex flange	<b>PRH:</b> phillips round head	
<b>HH:</b> hex head	<b>PTH:</b> phillips truss head	
<b>HHF:</b> hex head flange	<b>PTO:</b> power-take-off	
<b>HHFTF:</b> hex head flange thread forming	<b>RH:</b> right hand	
<b>HJ:</b> hex jam	<b>ROPS:</b> roll-over protection system	
<b>HLH:</b> hex lag head		

# Contents

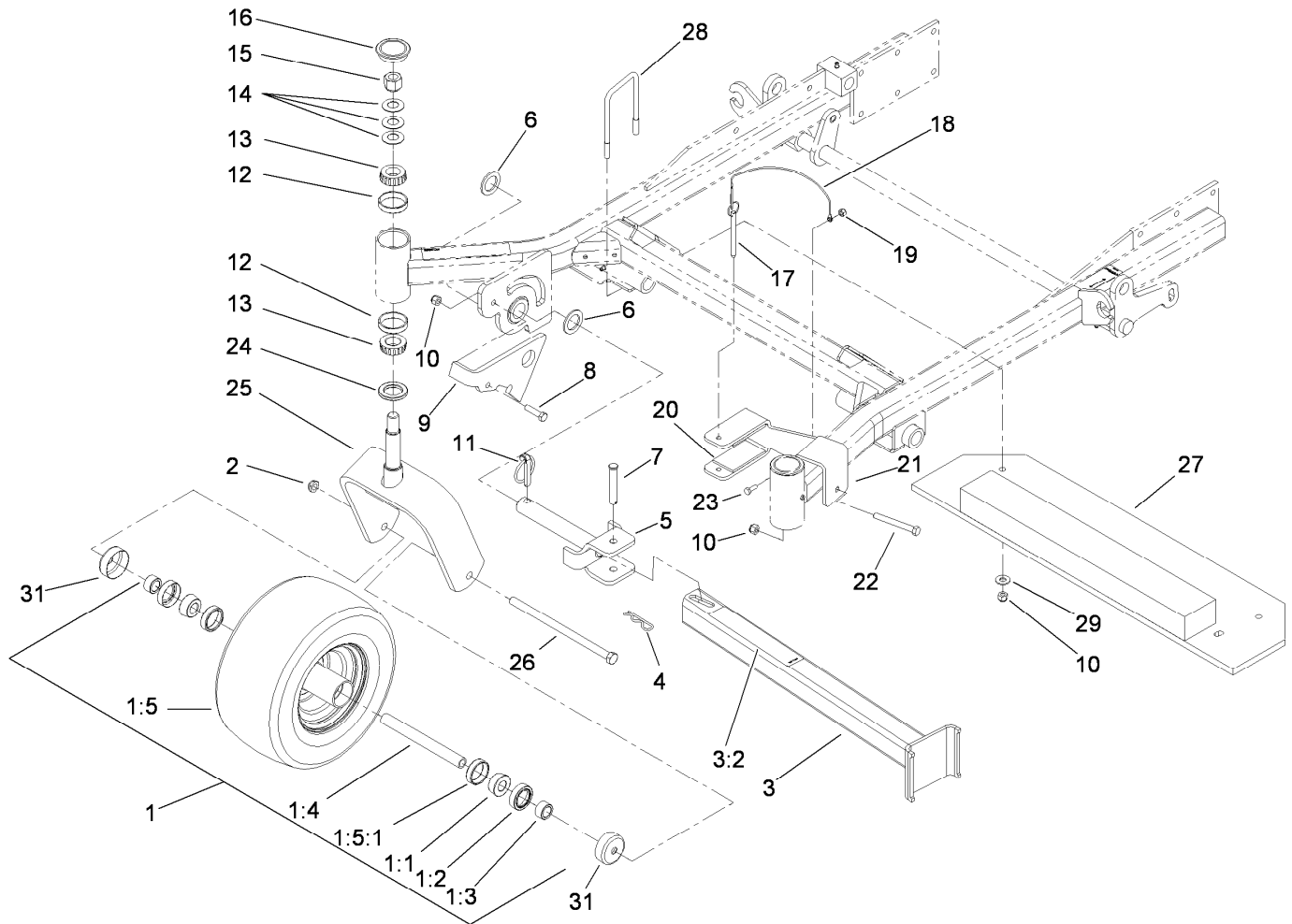
Front Frame Assembly	4
Fork, Caster Wheel and Z Stand Assembly	5
Traction Frame and Floor Pan Assembly	6
Seat and Roll-Over Protection System Assembly	7
Deluxe Seat Assembly No. 110-0838	8
Roll-Over Protection System Assembly No. 110-0877	9
Main Frame and Rear Wheel Assembly	10
Hydro Control Assembly	11
Engine, Exhaust and Air Intake Assembly	12
Air Cleaner Assembly No. 93-2190	13
Hydro and Gearbox Assembly	14
Gearbox Assembly No. 107-9887	15
Hydraulic Tank, Pump and Motor Assembly	16
Tandem Pump Assembly No. 107-9885	18
Hydraulic Motor Assembly No. 112-8357 (CCW)	19
Hydraulic Motor Assembly No. 112-8358 (CW)	20
Hydraulic Hose System Assembly	21
Fuel System and Throttle Control Assembly	22
Fuel Line Assembly	23
Engine Housing Assembly	24
Cooling System Assembly	25
Hood Assembly	26
Deck Connection Assembly	27
Deck Assembly	28
Spindle Assembly No. 108-7713	29
Deck Decal Assembly No. 114-4487	30
Rubber Deflector Assembly No. 108-2792	31
Lever Assembly No. 107-1664	32
Electrical Assembly	33
Crankcase Assembly	34
Oil Pan Assembly	35
Cylinder Head Assembly	36
Gear Case and Oil Filter Cartridge Assembly	37
Cylinder Head Cover Assembly	38
Dipstick, Guide and Oil Pump Assembly	39
Main Bearing Case Assembly	40
Cam Shaft and Idle Gear Assembly	41
Piston and Crankshaft Assembly	42
Flywheel and Fuel Camshaft Assembly	43
Idle Apparatus and Stop Solenoid Assembly	44
Injection Pump and Governor Assembly	45
Speed Control Plate Assembly	46
Nozzle Holder and Glow Plug Assembly	47
Nozzle Holder Assembly	48
Alternator Components Assembly	50
Alternator, Pulley and Fuel Pump Cover Assembly	51
Starter Assembly	52
Starter Components Assembly	53
Water Flange and Thermostat Assembly	54
Valve and Rocker Arm Assembly	55
Inlet and Exhaust Manifold Assembly	56
Upper and Lower Gasket Kits	57
Attachments and Accessories	58



## Front Frame Assembly

Ref.	Part Number	Qty.	Description	Ref.	Part Number	Qty.	Description
1	110-0800	1	Frame ASM	15:5	3296-39	1	Nut-Lock, NI
1:2	107-3968	1	Decal-Brake, Parking	15:6	3256-24	1	Washer-Flat
1:3	1-811010	2	Plug	16	323-29	2	Screw-HH
1:4	302-19	5	Fitting-Grease	18	103-1918	1	Bushing
1:5	94-1291	2	Bushing	21	323-11	1	Screw-HH
1:6	107-3969	1	Decal-Warning	22	117-0367	1	Plate-HOC, Outer
1:7	103-1918	1	Bushing	22:2	107-3961	1	Decal-Height, Deck
2	3256-29	4	Washer-Flat	23	1-633068	2	Arm-Lift, Deck
3	32151-103	5	Ring-Retaining, EXT	24	1-633082	1	Bushing-Lever, Lift
4	32151-29	2	Ring-Retaining	25	117-0370	1	Plate-HOC, Inner
5	1-523157	2	Washer-Spacer	25:2	107-3962	1	Decal-Height, Deck
6	3296-39	5	Nut-Lock, NI	26	3290-357	17	Nut-HHF, Whiz
7	108-7786-01	1	RH Front Deck Lift ASM	27	109-8757	1	Pin-HOC
8	323-9	1	Screw-HH	28	98-5975	12	Washer-Belleville
9	323-10	1	Screw-HH	29	323-7	12	Screw-HH
10	323-6	1	Screw-HH	30		2	Front Frame Spring ASM ●
12	107-3976	1	Footrest	30:1	1-633096	1	Rod-Lift, Deck
12:2	106-7451	1	Decal	30:2	1-633441	2	Swivel-Deck Mount, Rear
12:3	107-1866	1	Decal-Danger, Slope	30:3	3217-11	4	Nut-Hex
13	3274-94	4	Screw-HSBH	30:4	3218-6	2	Nut-Jam
14	1-513658	2	Bumper	30:5	3256-7	2	Washer-Flat
15	110-5860	1	Deck Lift Handle ASM	30:6	1-633064	1	Spring-Support, Deck
15:1	1-633295	1	Grip-Lever, Lift	31	3218-2	2	Nut-Jam
15:2	103-2083	1	Lever-Lift	32	3274-18	2	Screw-HSH
15:3	103-2064	1	Arm-Lift, Deck	33	106-8984-01	1	LH Deck Lift ASM
15:4	1-633325	1	Spring-Compression	34	1-633080	1	Bushing-Lever, Lift

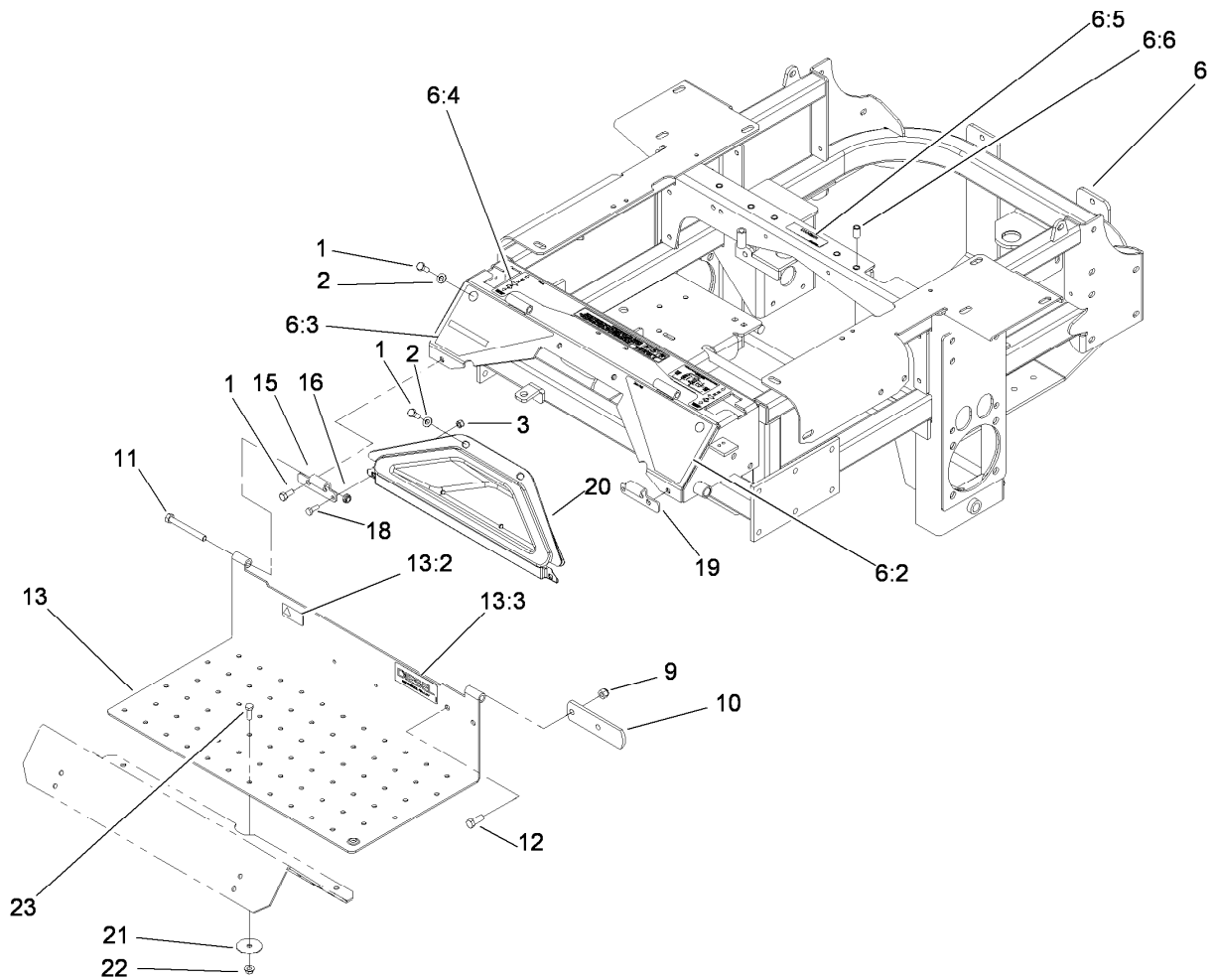
● Not serviced separately



## Fork, Caster Wheel and Z Stand Assembly

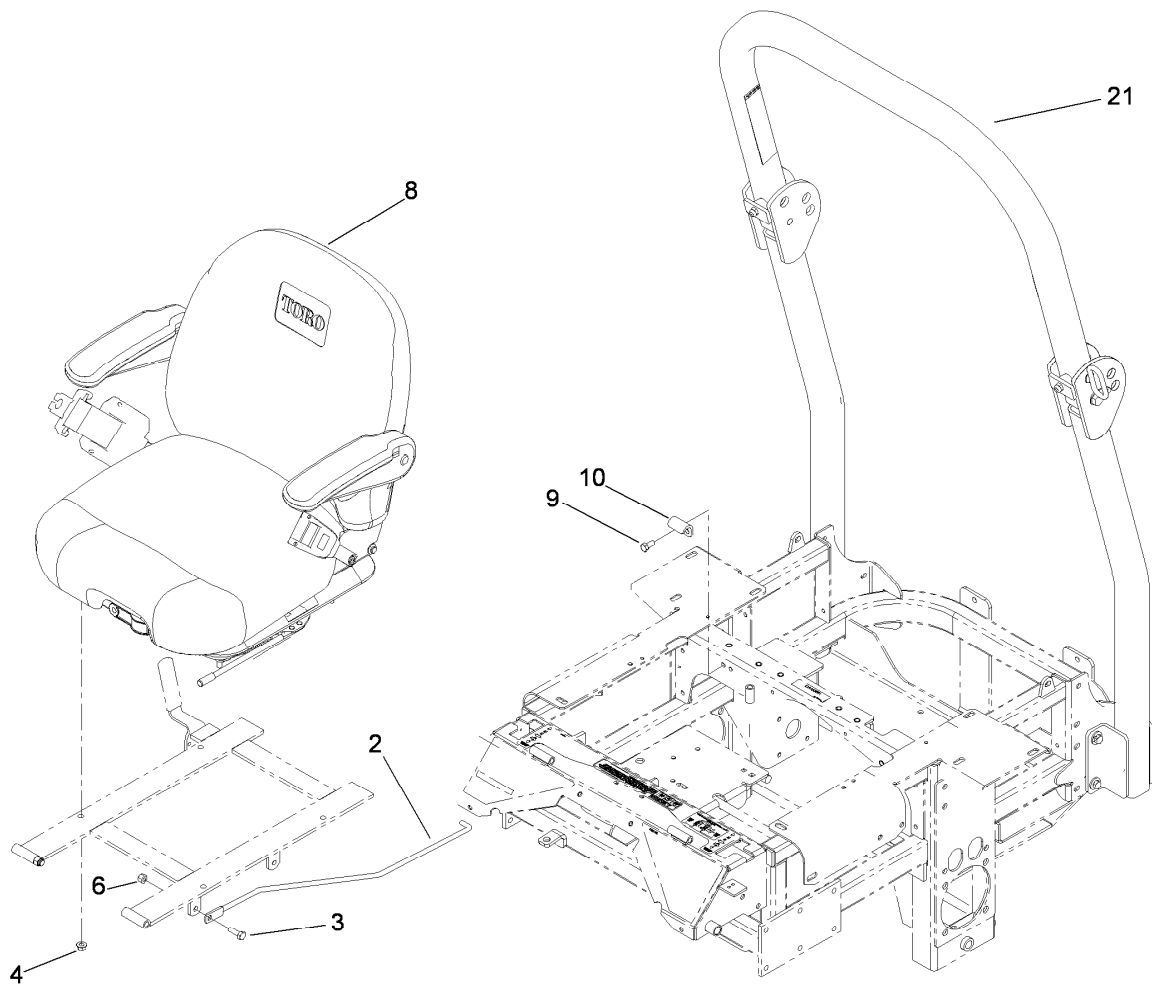
Ref.	Part Number	Qty.	Description	Ref.	Part Number	Qty.	Description
1	109-9125	2	Wheel And Tire ASM	13	254-94	4	Bearing-Cone, Tapered
1:1	1-633585	2	Bearing-Cone, Taper	14	1-633508	6	Washer-Bellville
1:2	103-0063	2	Seal-Caster	15	3296-51	2	Nut-Lock, NI
1:3	103-3051	2	Spacer-Nut	16	103-4882	2	Cap-Grease
1:4	103-5156	1	Axle-Caster	17	105-1647	1	Pin-Hitch, Cotterless
1:5		1	Wheel And Tire ASM ●	18	100-9385	1	Lanyard-Nylon
1:5:1	1-633584	1	Bearing-Cup	19	3296-42	1	Nut-Lock, NI
2	3296-23	2	Nut-Lock, NI	20	100-6547	2	Cushion-Rubber
3	107-1874	1	Leg ASM	21	100-6542-01	1	Bracket-Cradle
3:2	106-7464	1	Decal-Z Stand	22	323-20	1	Screw-HH
4	3290-355	1	Pin-Hair	23	321-4	1	Screw-HH
5	100-9692-01	1	Pivot Pin ASM	24	1-543511	2	Seal-Grease
6	3-6781	2	Washer-Thrust	25	1-642111-01	2	Caster
7	283-55	1	Pin-Clevis	26	325-24	2	Screw-HH
8	323-8	1	Screw-HH	27	107-9874-01	1	Weight ASM
9	100-9686-01	1	Bracket-Latch	28	110-0817	2	U-Bolt, 3 Inch
10	3296-39	6	Nut-Lock, NI	29	3256-4	4	Washer-Flat
11	283-71	1	Pin-Lynch	31	103-2768	4	Guard-Seal
12	254-72	4	Bearing-Cup, Tapered				

● Not serviced separately



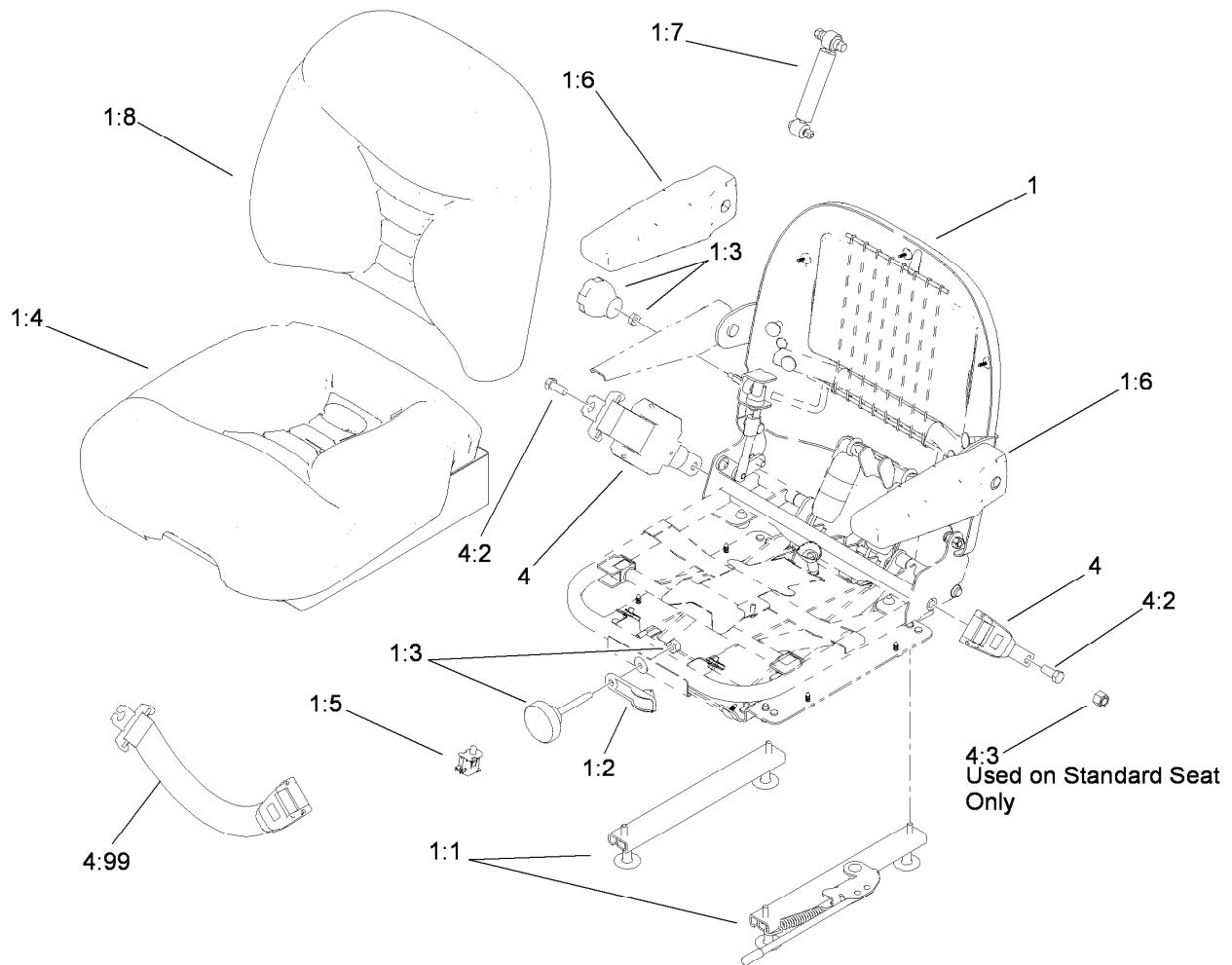
## Traction Frame and Floor Pan Assembly

<i>Ref.</i>	<i>Part Number</i>	<i>Qty.</i>	<i>Description</i>
1	322-43	6	Screw-HH
2	3256-70	4	Washer-Flat
3	3296-42	2	Nut-Lock, NI
6	115-2757	1	Traction Frame ASM
6:2	107-3963	1	Decal-Danger, Left
6:3	107-3964	1	Decal-Warning, Right
6:4	110-0820	1	Decal-Console, Top (Ce)
6:5	98-1977	1	Decal-Warning
6:6	32148-11	5	Insert-Threaded
9	3296-39	2	Nut-Lock, NI
10	1-633964-03	1	Stop-Brake, Park
11	323-20	2	Screw-HH
12	323-6	2	Screw-HH
13	115-3851	1	Floor Pan ASM
13:2	98-4387	1	Decal-Protection, Ear
13:3	114-5879	1	Decal-Diesel, Bio-Ready
15	106-7488-03	1	Hinge-Floorpan, LH
16	3296-59	2	Nut-Lock, NI
18	321-4	2	Screw-HH
19	106-7489-03	1	Hinge-Floorpan, RH
20	106-7498	1	Pocket
21	1-653036	1	Washer
22	32128-25	1	Nut-HF
23	322-4	1	Screw-HH



## Seat and Roll-Over Protection System Assembly

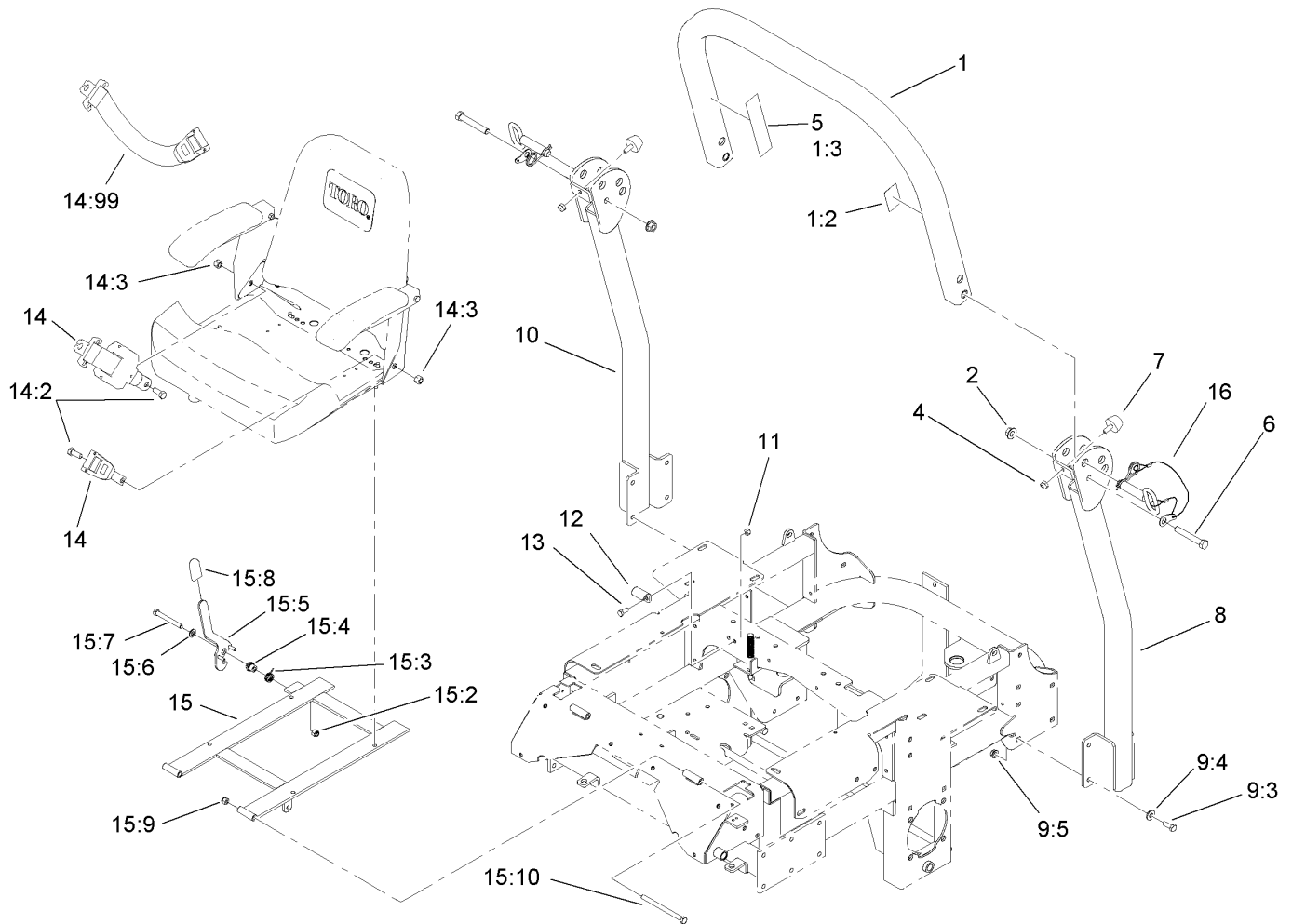
<i>Ref.</i>	<i>Part Number</i>	<i>Qty.</i>	<i>Description</i>
2	108-5341	1	Rod-Prop, Seat
3	322-5	1	Screw-HH
4	32128-20	4	Nut-HF
6	3296-29	3	Nut-Lock, NI
8	110-0838	1	Deluxe Seat ASM
9	322-3	2	Screw-HH
10	107-3058	1	Catch-Latch, Seat
21	110-0877	1	ROPS Kit



## Deluxe Seat Assembly No. 110-0838

<i>Ref.</i>	<i>Part Number</i>	<i>Qty.</i>	<i>Description</i>
1	112-8355	1	Seat-Suspension
1:1	107-1880	1	Seat Track Kit
1:2	107-1885	1	Weight Indicator Kit
1:3	107-1881	1	Knob Kit
1:4	107-1883	1	Bottom Cushion Kit
1:5	82-2190	1	Switch-Bail
1:6	107-1887	1	Armrest Kit
1:7	107-1884	1	Shock Absorber Kit
1:8	112-8356	1	Cushion-Back
4	110-0883	1	Retractable Seatbelt Kit
4:2	3212-4	2	Screw-HH
4:3	3296-7	2	Nut-Lock
4:99	109-6226	1	Seat Belt Extension Kit



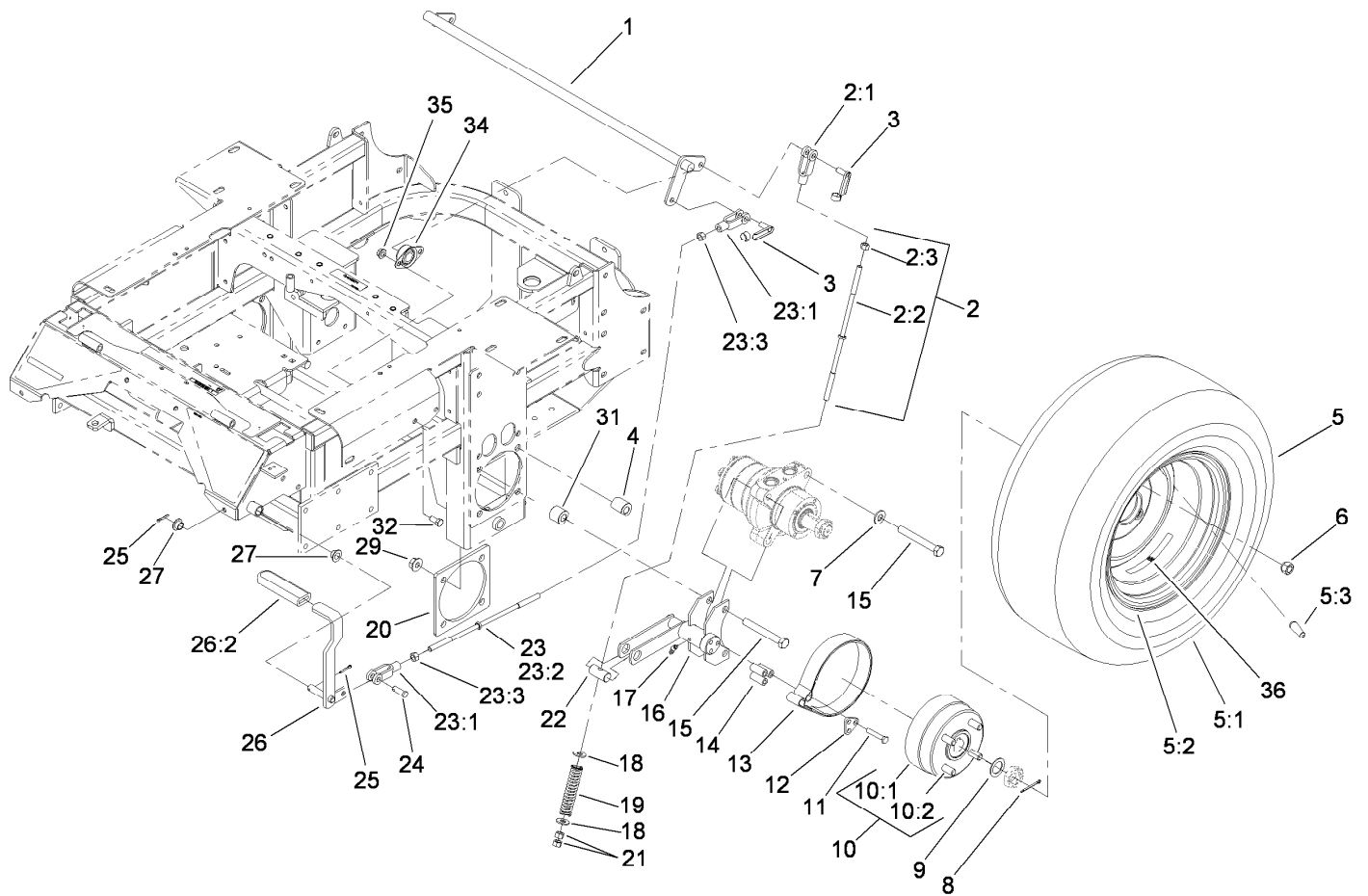


## Roll-Over Protection System Assembly No. 110-0877

Ref.	Part Number	Qty.	Description	Ref.	Part Number	Qty.	Description
1		1	Upper Tube ASM ■	12	107-3058	1	Catch-Latch, Seat
1:2	107-2101	1	Decal-ROPS	13	322-3	2	Screw-HH
1:3	107-2102	1	Decal-Warning, Folding ROPS	14	110-0883	1	Retractable Seatbelt Kit
2	32128-23	2	Nut-HF	14:2	3212-4	2	Screw-HH
4	3296-73	2	Nut-Lock, NI	14:3	3296-7	2	Nut-Lock
5	107-3069	1	Decal-Warning, Folding ROPS	14:99	109-6226	1	Seat Belt Extension Kit
6	325-13	2	Screw-HH	15	110-0874	1	Seatframe ASM
7	109-2365	2	Rubber Bumper ASM (W/Stud)	15:2	3296-39	1	Nut-Lock, NI
8		1	Tube-Support, LH ■	15:3	107-0076	1	Spring-Torsion
9		1	Bag-Bolt, ROPS ● ■	15:4	107-0075	1	Bushing-Latch, Seat
9:3	323-6	8	Screw-HH	15:5	107-3083	1	Latch ASM
9:4	98-5975	8	Washer-Belleville	15:6	3256-24	1	Washer-Flat
9:5	3290-357	8	Nut-HHF, Whiz	15:7	323-20	1	Screw-HH
10		1	Tube-Support, RH ■	15:8	103-4434	1	Grip-Lever
11	3296-29	2	Nut-Lock, NI	15:9	3296-39	2	Nut-Lock, NI
				15:10	323-39	2	Screw-HH
				16	103-4553	2	ROPS Fold Pin ASM

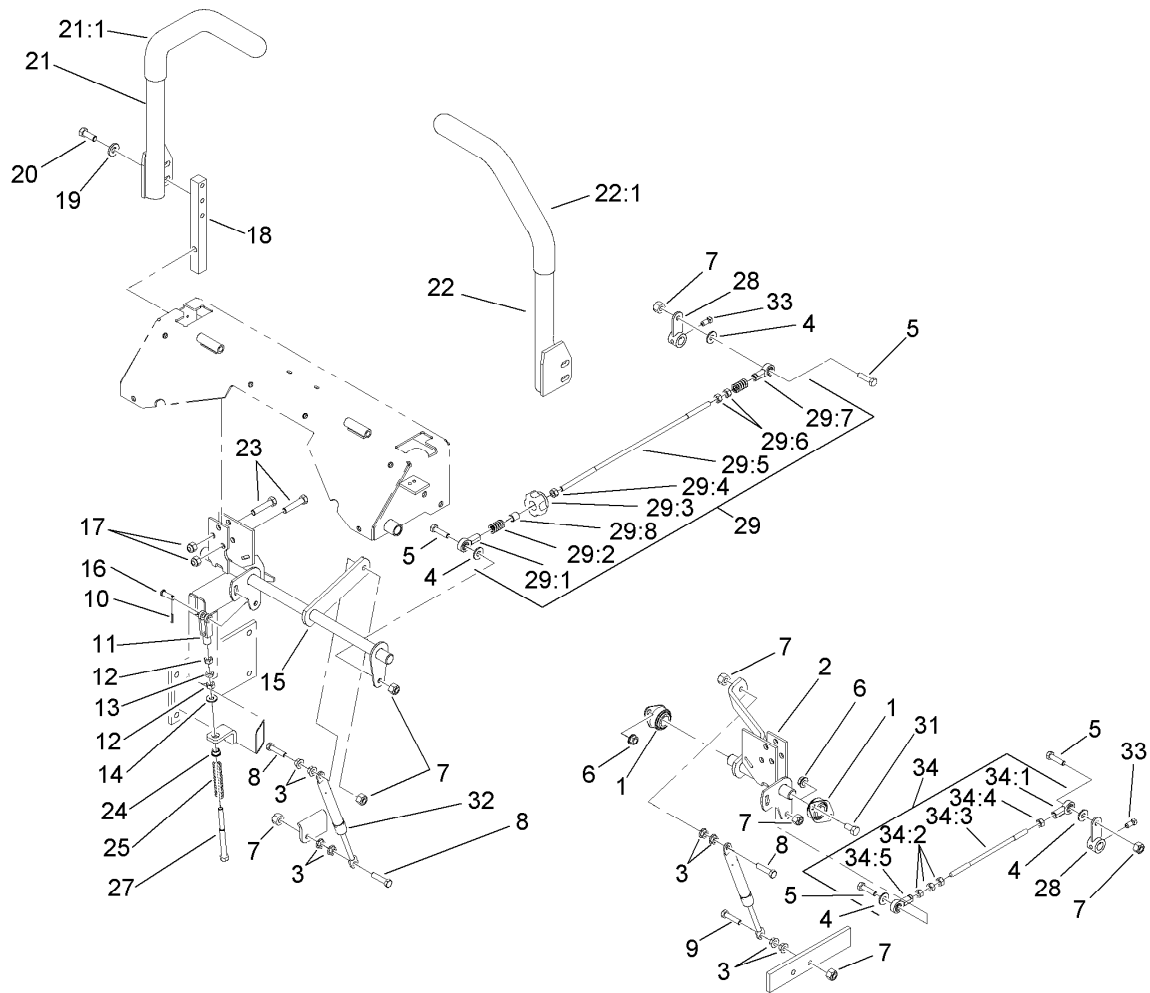
● Not illustrated

■ Not serviced separately



## Main Frame and Rear Wheel Assembly

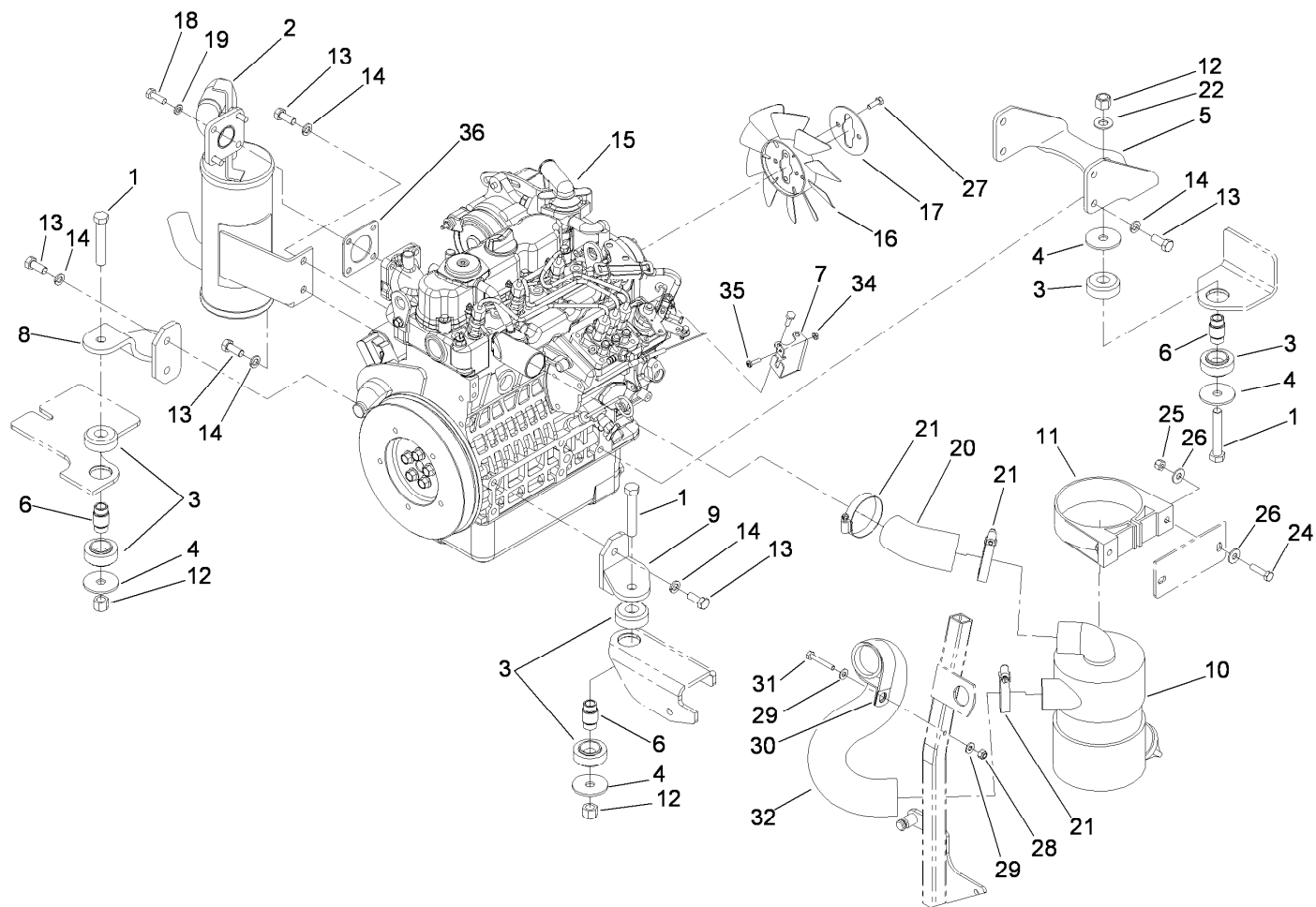
Ref.	Part Number	Qty.	Description	Ref.	Part Number	Qty.	Description
1	1-632217-03	1	Shaft-Brake	16	103-0352-03	2	Bracket-Brake
2	108-5963	2	Brake Rod ASM	17	1481	2	Fitting-Grease
2:1	1-633131	1	Yoke-Linkage, Brake	18	3256-4	4	Washer-Flat
2:2	108-5980	1	Rod-Brake	19	1-633454	2	Spring-Brake
2:3	3219-3	1	Nut-Hex	20	103-3271-03	2	Plate-Reinforcement
3	103-2399	3	Pin-Spring, Clevis	21	3219-3	4	Nut-Hex
4	114-1185	4	Spacer-Wheel, Long	22	1-633144	2	Pin-Trunion
5	1-653010	2	Wheel And Tire ASM	23	108-5962	1	Brake Rod ASM
5:1	1-653160	1	Tire	23:1	1-633131	2	Yoke-Linkage, Brake
5:2	1-653158	1	Wheel	23:2	1-633477	1	Rod-Brake
5:3	232-27	1	Stem-Valve	23:3	3219-3	2	Nut-Hex
6	242-50	8	Nut-Lug	24	1-808285	1	Pin-Clevis
7	87-7270	4	Washer-Thrust	25	3272-10	2	Pin-Cotter
8	1-806800	2	Pin-Cotter	26	1-634500	1	Brake Lever ASM
9	1-523157	2	Washer-Spacer	26:2	1-633268	1	Grip-Lever
10	103-0590	2	Hub And Wheel ASM	27	1-513140	2	Bearing-Control
10:1	103-0589	1	Wheel Hub ASM	29	32128-49	8	Nut-HHF
10:2	1-633926	4	Stud-Wheel	31	114-1184	4	Spacer-Wheel, Short
11	322-9	6	Screw-HH	32	323-4	4	Screw-HH
12	103-0374	2	Retainer-Band, Brake	34	1-633102	2	Bearing-Flange, Side
13	103-0355	2	Band-Brake	35	3290-357	4	Nut-HHF, Whiz
14	103-0384	6	Spacer	36	109-7949	2	Decal
15	325-18	8	Screw-HH				



## Hydro Control Assembly

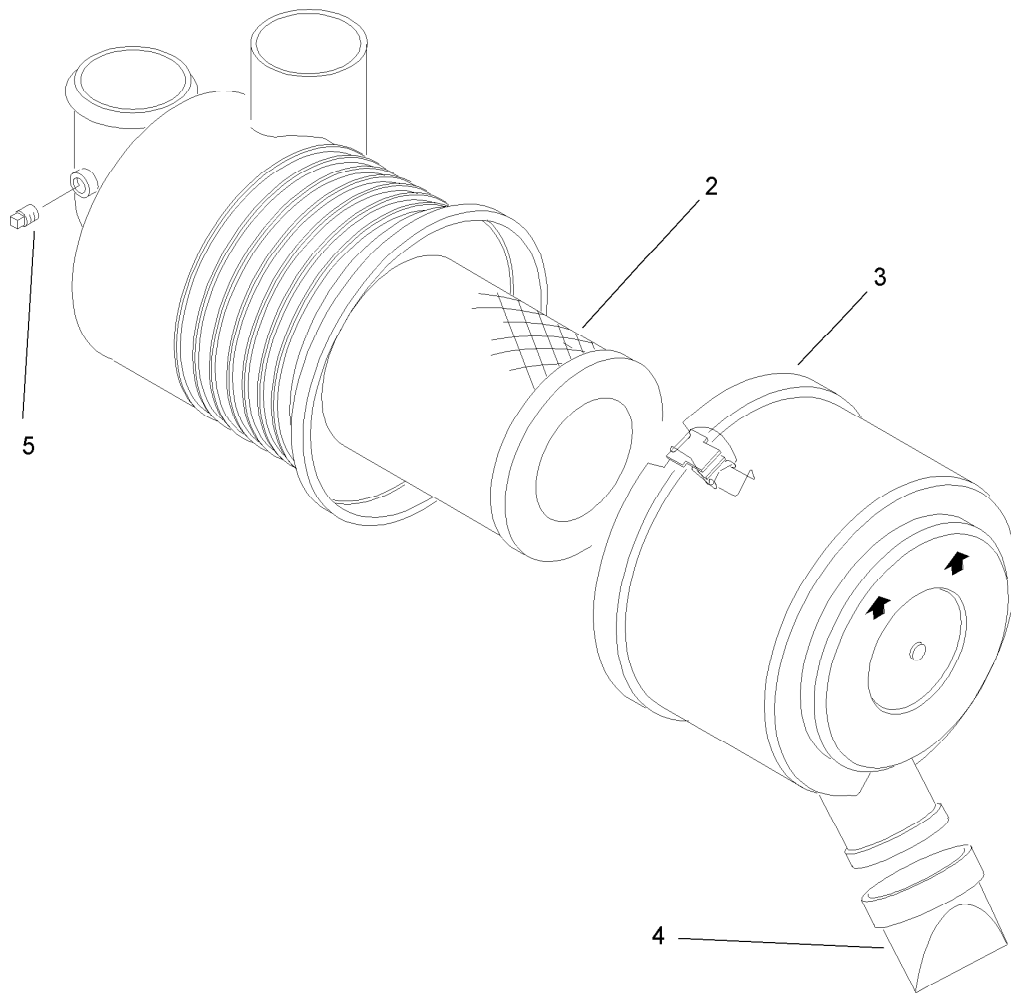
Ref.	Part Number	Qty.	Description
1	1-633102	4	Bearing-Flange, Side
2	107-3480	1	LH Motion Control ASM
3	32128-20	10	Nut-HF
4	3256-3	4	Washer-Flat
5	322-6	4	Screw-HH
6	3290-357	6	Nut-HHF, Whiz
7	3296-29	8	Nut-Lock, NI
8	1-403180	3	Screw-HH
9	322-41	1	Screw-HH
10	3272-5	2	Pin-Cotter
11	1-303105	2	Yoke-Adjustable
12	3219-2	4	Nut-Hex
13	3220-2	2	Nut-Jam
14	3256-2	2	Washer-Flat
15	107-3481	1	RH Motion Control ASM
16	1-808280	2	Pin-Clevis
17	3296-39	6	Nut-Lock, NI
18	103-0407	2	Arm-Shaft, Control
19	98-5975	4	Washer-Belleville
20	323-6	4	Screw-HH
21	108-7237	1	RH Lever ASM
21:1	106-9987	1	Grip-Control, Motion
22	108-7238	1	LH Lever ASM
22:1	106-9987	1	Grip-Control, Motion

Ref.	Part Number	Qty.	Description
23	323-9	6	Screw-HH
24	1-603735	2	Bushing-Flanged
25	1-603807	2	Spring-Return, Neutral
27	1-603737	2	Bolt-Return, Neutral
28	107-3470-03	2	Hydraulic Control Arm ASM
29	107-3474	1	RH Control Rod ASM
29:1	1-543017	1	Balljoint-RH
29:2	1-323245	2	Spring-Compression
29:3	103-3060	1	Knob-Tracking
29:4	3219-2	1	Nut-Hex
29:5	107-3472	1	Rod-Control, RH
29:6	1-804524	2	Nut
29:7	1-633152	1	Balljoint-LH
29:8	103-1166	1	Spacer-Tube, Pump Link
31	323-4	6	Screw-HH
32	109-2339	2	Damper-Control, Motion
33	1-803022	2	Screw-Set
34	107-3475	1	LH Control Rod ASM
34:1	1-543017	1	Balljoint-RH
34:2	3219-2	3	Nut-Hex
34:3	107-3473	1	Rod-Control, LH
34:4	1-804524	1	Nut
34:5	1-633152	1	Balljoint-LH



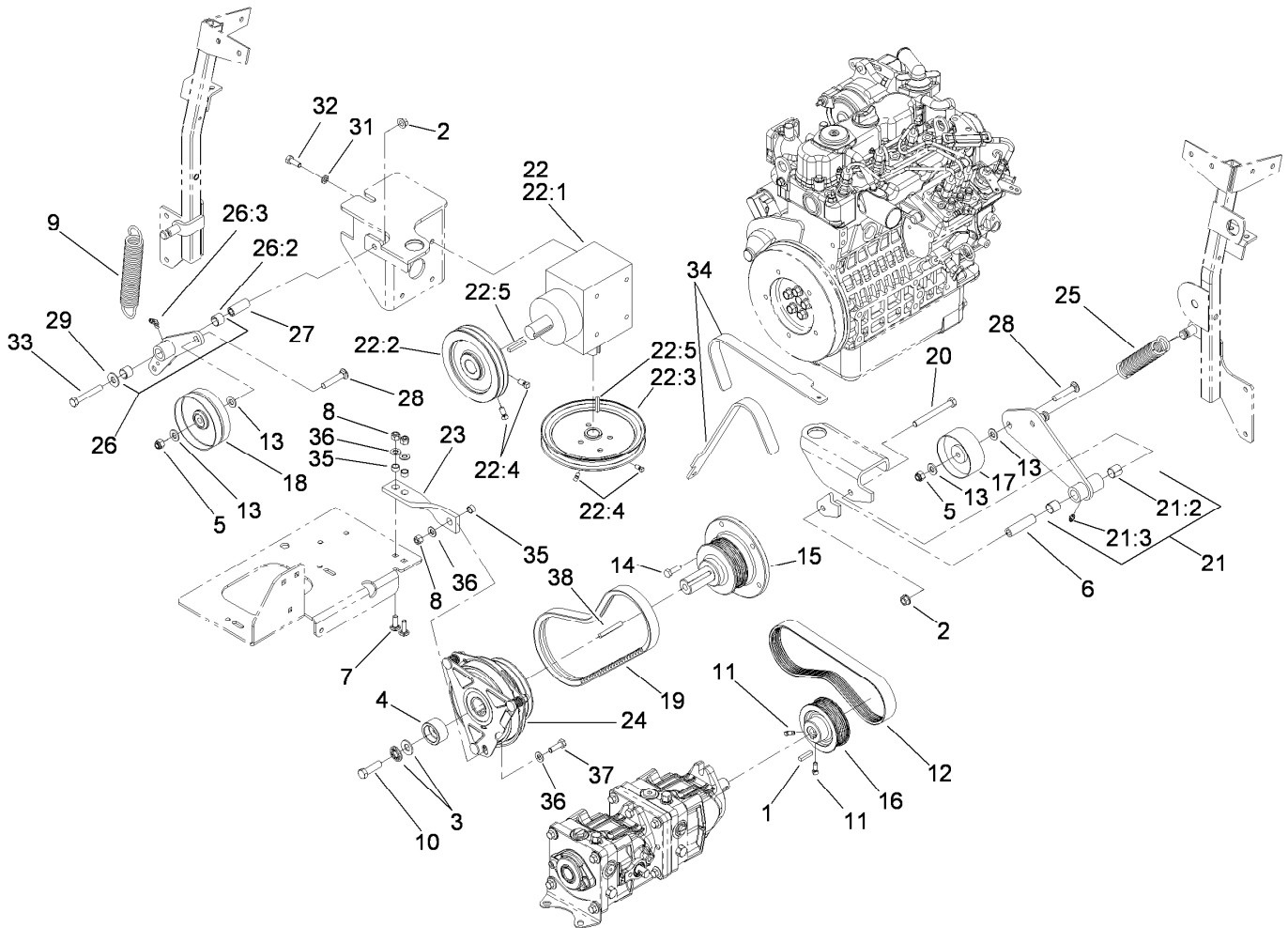
## Engine, Exhaust and Air Intake Assembly

Ref.	Part Number	Qty.	Description	Ref.	Part Number	Qty.	Description
1	325-12	3	Screw-HH	18	33114-025	4	Screw-HH
2	107-9909	1	Muffer	19	3253-4	4	Washer-Lock
3	107-9914	3	Mount-Isolation	20	108-5371	1	Hose-Intake, Air Cleaner
4	55-7960	4	Washer-Large	21	1-643009	3	Clamp-Hose
5	107-9917-03	1	Bracket-Engine Mount, Rear	22	3256-26	1	Washer-Flat
6	110-0300	3	Spacer	24	322-6	2	Screw-HH
7	108-5922	1	Bracket-Support, Throttle	25	3296-29	2	Nut-Lock, NI
8	107-9920-03	1	RH Engine Support ASM	26	3256-23	4	Washer-Flat
9	107-9930-03	1	LH Engine Support ASM	27	33113-020	2	Screw-HH
10	93-2190	1	Air Cleaner ASM	28	3296-42	1	Nut-Lock, NI
11	95-5806	1	Bracket-Mounting	29	3256-22	2	Washer-Flat
12	3296-23	3	Nut-Lock, NI	30	1-643241	1	Clip-Loom
13	43-0090	10	Screw-HH	31	321-10	1	Screw-HH
14	42-9600	10	Washer-Lock, Spring	32	108-5370	1	Hose-Intake, Engine
15	114-8220	1	Engine-Kubota	34	3217-26	1	Nut-Hex
16	110-0814	1	Fan	35	110-0863	1	Screw-Torx
17	110-0816	1	Plate-Retainer, Fan	36	99-8343	1	Gasket-Muffer



## Air Cleaner Assembly No. 93-2190

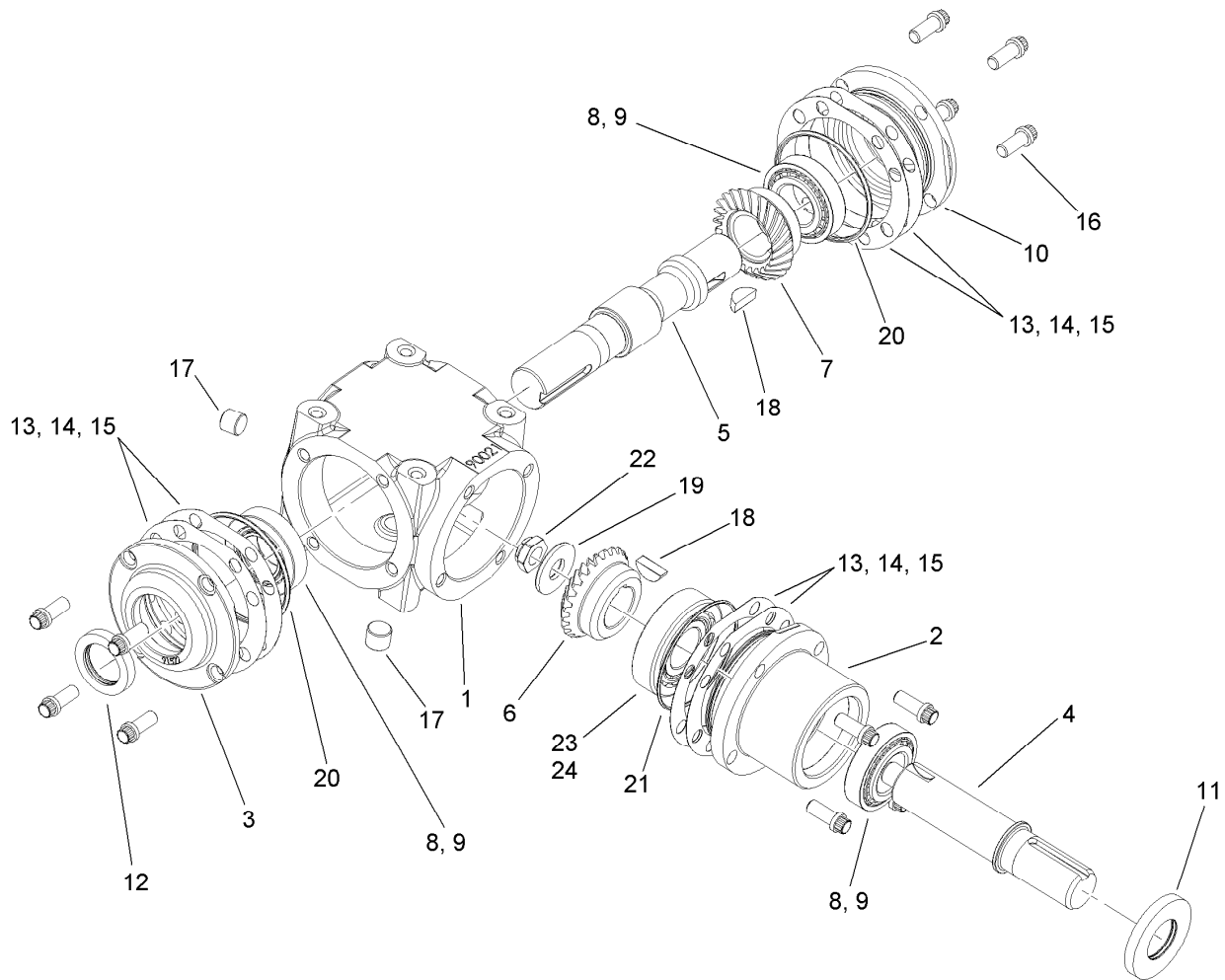
<i>Ref.</i>	<i>Part Number</i>	<i>Qty.</i>	<i>Description</i>
2	108-3811	1	Filter-Air
3	94-3652	1	Cover ASM
4	87-9400	1	Valve-Vacuator
5	285-17	1	Plug-Pipe



## Hydro and Gearbox Assembly

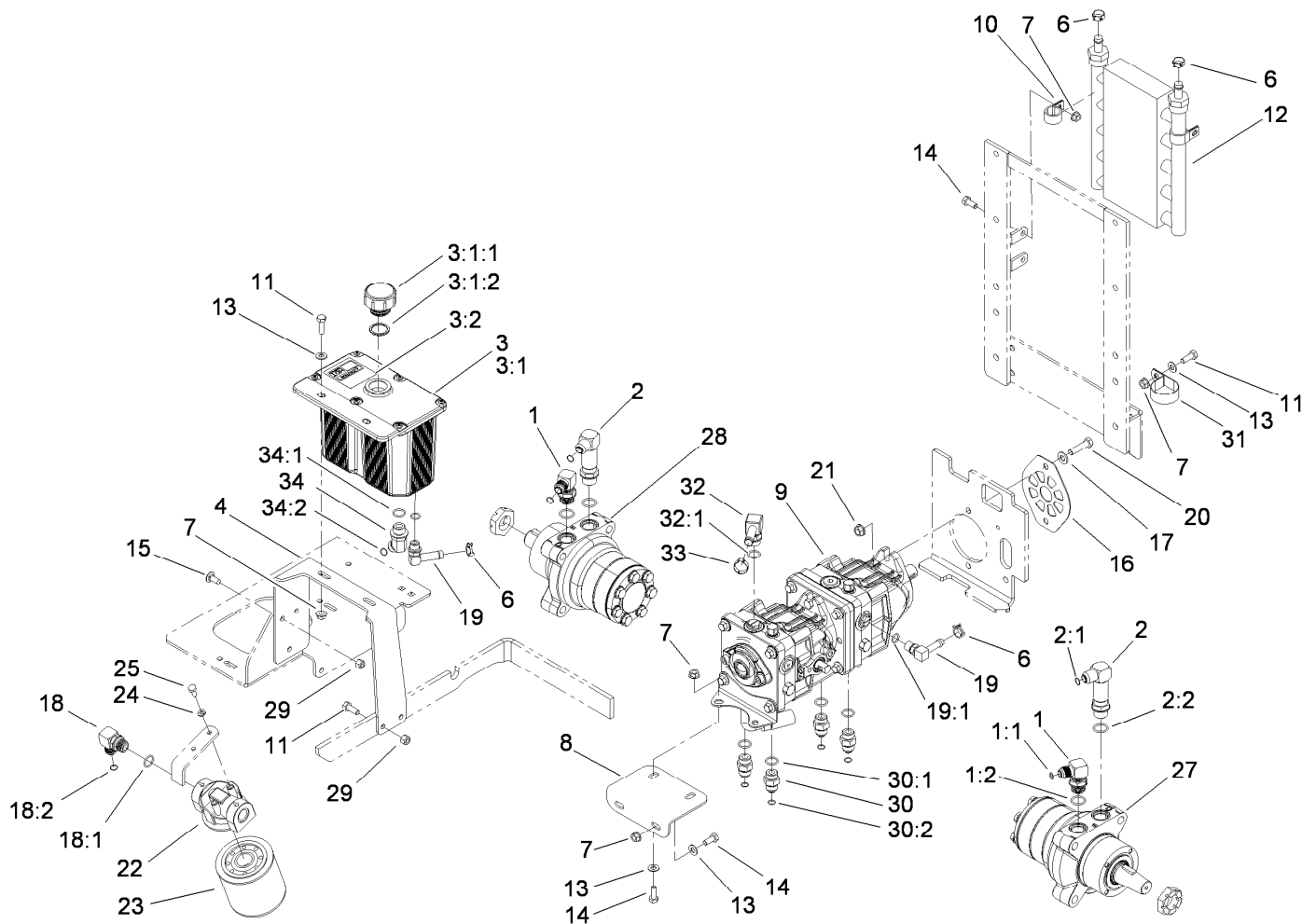
Ref.	Part Number	Qty.	Description	Ref.	Part Number	Qty.	Description
1	5-0698	1	Key	22:1	107-9887	1	Gearbox-90 DEG
2	3290-357	2	Nut-HHF, Whiz	22:2	108-5912	1	Pulley
3	1-603610	2	Washer-Spring	22:3	110-0893	1	Pulley
4	114-8152	1	Retainer-Clutch	22:4	1-803022	4	Screw-Set
5	3296-39	2	Nut-Lock, NI	22:5	67-7490	2	Key-Square
6	1-603384	1	Bushing-Pivot, Idler	23	112-1781	1	Strap-Stop, Clutch
7	3230-22	2	Screw-CARR	24	112-2320	1	Clutch-Magnetic
8	3296-29	3	Nut-Lock, NI	25	108-5985	1	Spring-Extension
9	110-0818	1	Spring-Extension	26	112-2354	1	Gearbox Idler ASM (W/Bearings)
10	3212-6	1	Screw-HH	26:2	103-4681	2	Sleeve-Bearing
11	1-803022	2	Screw-Set	26:3	1481	1	Fitting-Grease
12	107-9910	1	Belt-V	27	1-603044	1	Bushing
13	3256-24	5	Washer-Flat	28	3231-6	2	Screw-CARR
14	33114-025	5	Screw-HH	29	3256-4	1	Washer-Flat
15	112-2335	1	Stub Shaft	31	3253-4	4	Washer-Lock
16	108-5976	1	Pulley	32	322-4	4	Screw-HH
17	108-5910	1	Pulley-Flat	33	323-12	1	Screw-HH
18	110-0803	1	Pulley-Flat	34	110-0876	1	Tool-Alignment, Pulley
19	110-0805	1	Belt-V	35	65-9820	3	Spacer
20	323-15	1	Screw-HH	36	3256-23	4	Washer-Flat
21	108-5939	1	Pump Idler Arm ASM	37	322-5	1	Screw-HH
21:2	1-513034	2	Sleeve-Bearing	38	5-1336	1	Key-Square
21:3	302-5	1	Fitting-Grease				
22		1	Gearbox ●				

● Not serviced separately



## Gearbox Assembly No. 107-9887

<i>Ref.</i>	<i>Part Number</i>	<i>Qty.</i>	<i>Description</i>
1	110-0843	1	Case
2	110-0853	1	Housing-Pinion
3	100-4566	1	Cap-End, Open
4	110-0844	1	Shaft-Pinion
5	110-0845	1	Shaft-Cross
6	110-0847	1	Gear-Shaft, Cross
7	110-0846	1	Gear-Pinion
8	110-0848	3	Bearing-Cup
9	110-0849	3	Bearing-Cone
10	100-4574	1	Cap-End, Closed
11	100-4575	1	Seal
12	110-0850	1	Seal-Shaft, Cross
13	100-4591	1	Shim-Brown, .010In
14	100-4592	1	Shim-Blue, .005In
15	100-4593	1	Shim-Green, .003In
16	100-4578	12	Screw
17	100-4579	2	Plug
18	3257-33	2	Key-Woodruff
19	100-4581	1	Washer
20	100-4582	2	O-Ring
21	110-0851	1	O-Ring
22	110-0852	1	Nut Lock
23	100-5817	1	Bearing-Cup
24	100-5816	1	Bearing-Cone

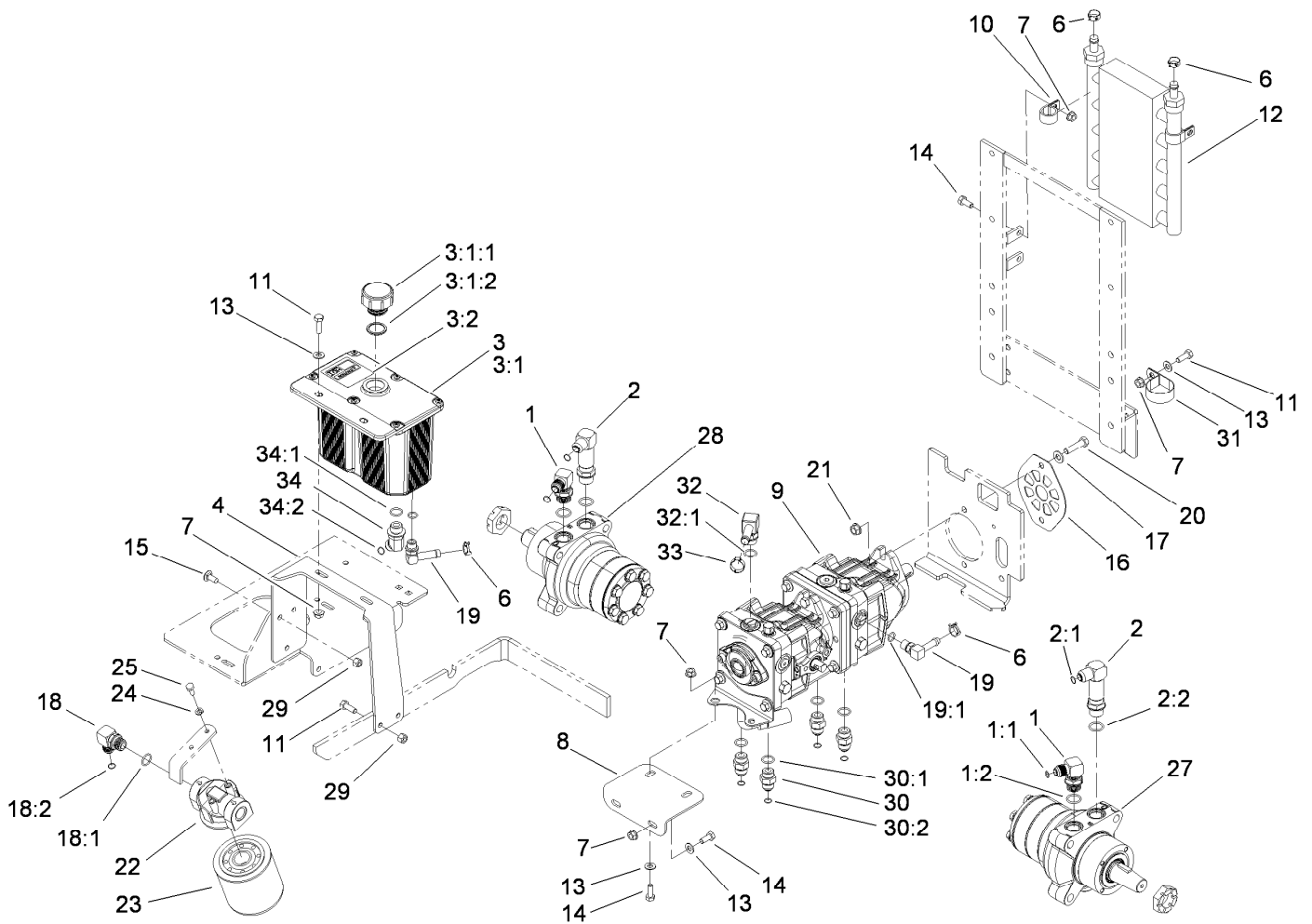


## Hydraulic Tank, Pump and Motor Assembly

Ref.	Part Number	Qty.	Description	Ref.	Part Number	Qty.	Description
1	1-633605	2	Fitting-HYD, 90 DEG	13	3256-23	7	Washer-Flat
1:1	1-603992	1	O-Ring	14	322-3	8	Screw-HH
1:2	237-80	1	O-Ring	15	3230-23	3	Screw-CARR
2	108-5323	2	Fitting-Elbow-90	16	108-5367-03	1	Plate-Shield, Pump
2:1	1-603992	1	O-Ring	17	3256-24	2	Washer-Flat
2:2	237-80	1	O-Ring	18	103-2153	1	Fitting-90 DEG
3	108-5320	1	Hydraulic Tank ASM	18:1	1-603920	1	O-Ring
3:1		1	Tank-Hydraulic ●	18:2	1-603992	1	O-Ring
3:1:1	103-1948	1	Cap-Reservoir, HYD	19	109-6449	2	Fitting-Elbow, 90
3:1:2	103-1949	1	Gasket-Cap	19:1	237-42	1	O-Ring
3:2	107-2131	1	Decal-Surface, Hot (Ce)	20	323-8	2	Screw-HH
4	108-5352-03	1	Bracket-Tank, Hydraulic	21	3290-357	2	Nut-HHF, Whiz
6	110-6242	4	Clamp-Hose	22	86-9080	1	Head-Filter
7	32128-20	11	Nut-HF	23	67-8110	1	Cartridge-Filter, Oil
8	107-3462-03	1	Bracket-Pump, Front	24	1-805004	2	Washer-Lock
9	107-9885	1	Tandem Pump ASM	25	321-3	2	Screw-HH
10	110-0824	4	R-Clamp	27	112-8357	1	HYD Motor ASM (CCW)
11	322-5	4	Screw-HH	28	112-8358	1	HYD Motor ASM (CW)
12	114-8168	1	Cooler-Oil, Hydro	29	3296-29	4	Nut-Lock, NI

● Not serviced separately

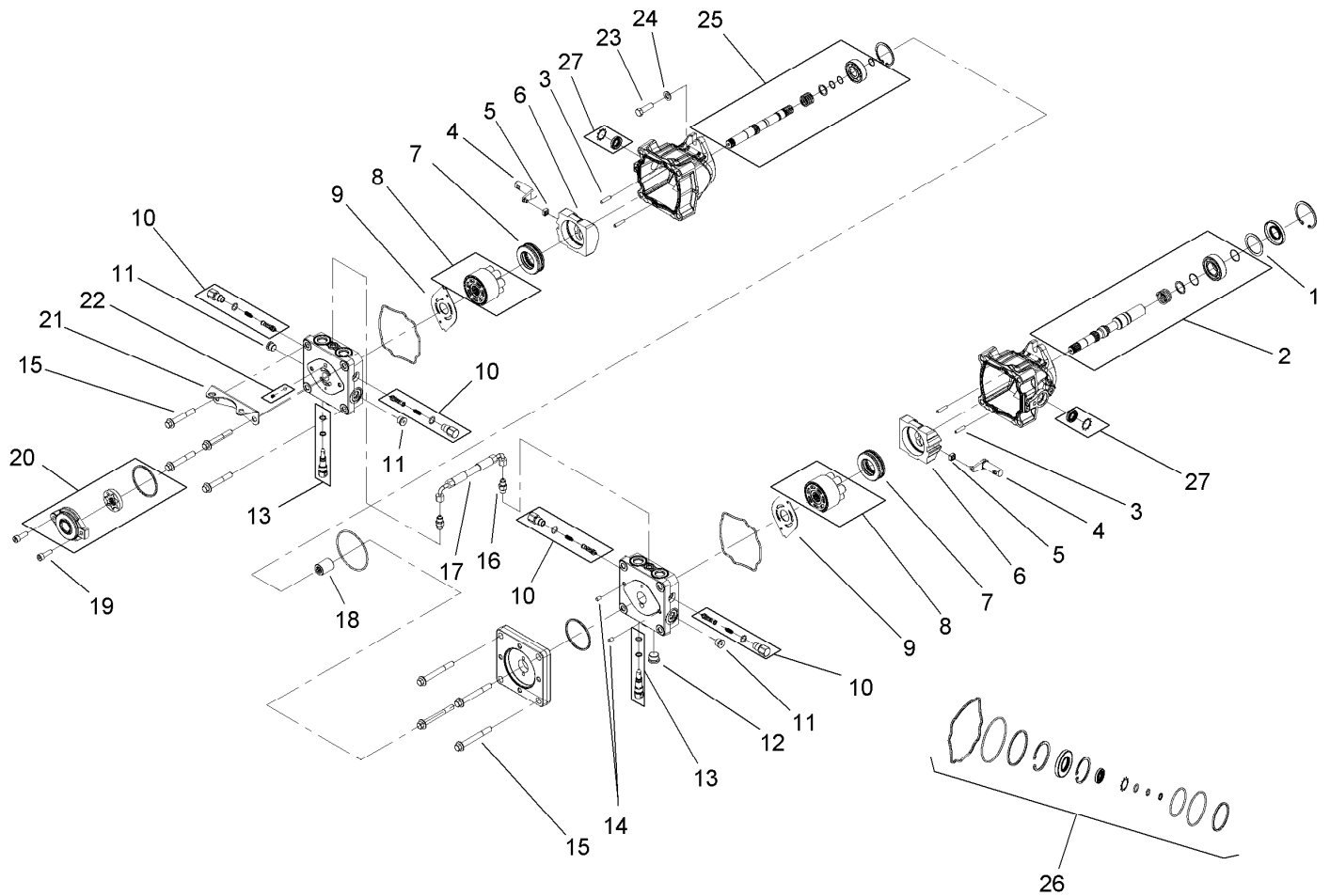




## Hydraulic Tank, Pump and Motor Assembly (continued)

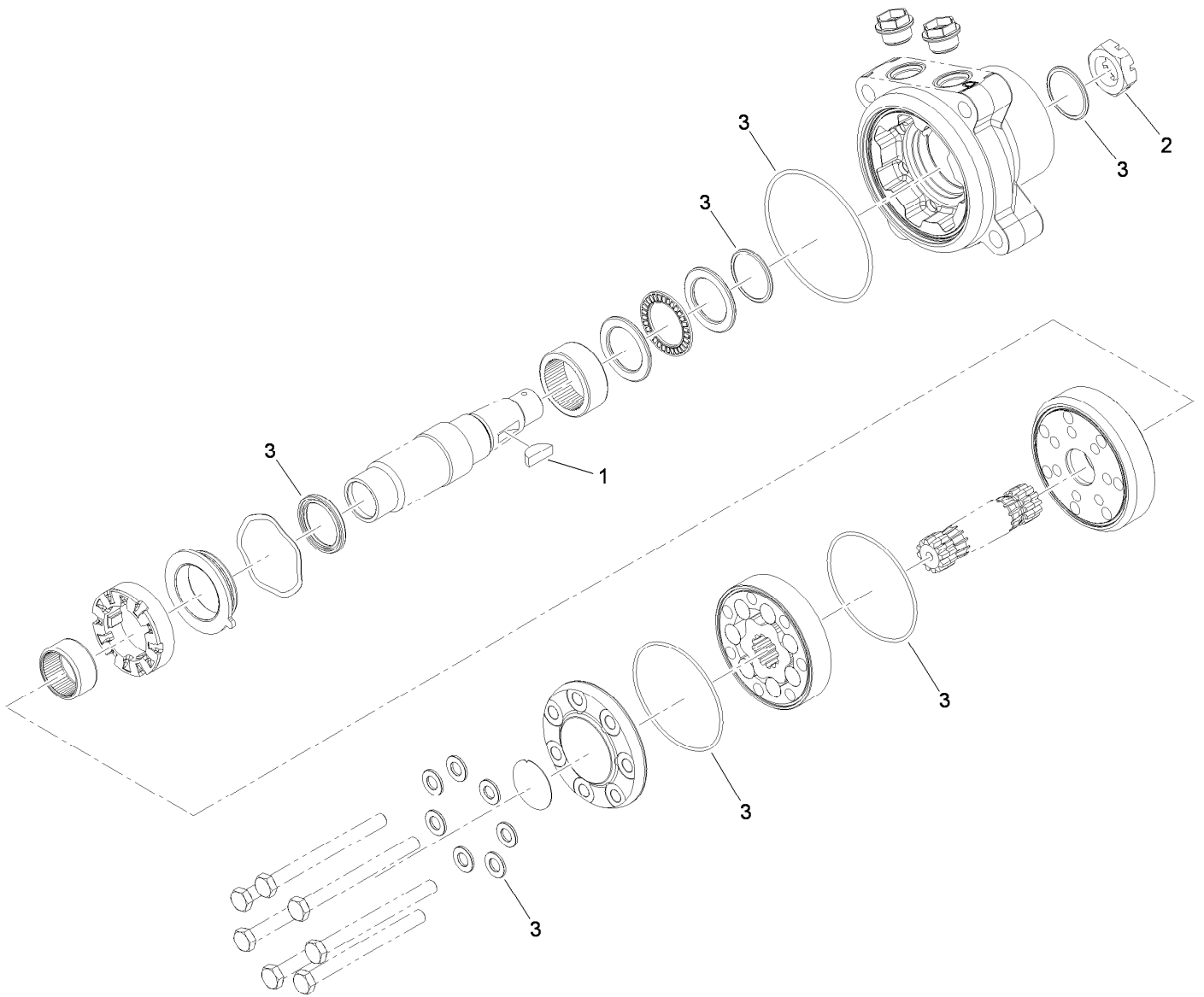
Ref.	Part Number	Qty.	Description	Ref.	Part Number	Qty.	Description
30	1-603990	4	Fitting-Straight	32:1	237-79	1	O-Ring
30:1	1-603920	1	O-Ring	33	103-2104	1	Clamp-Hose
30:2	1-603992	1	O-Ring	34	1-523221	1	Fitting-HYD, 45 DEG
31	2412-147	1	Clamp	34:1	1-603920	1	O-Ring
32	108-5316	1	Fitting-Elbow, 90 DEG	34:2	1-603992	1	O-Ring

● Not serviced separately



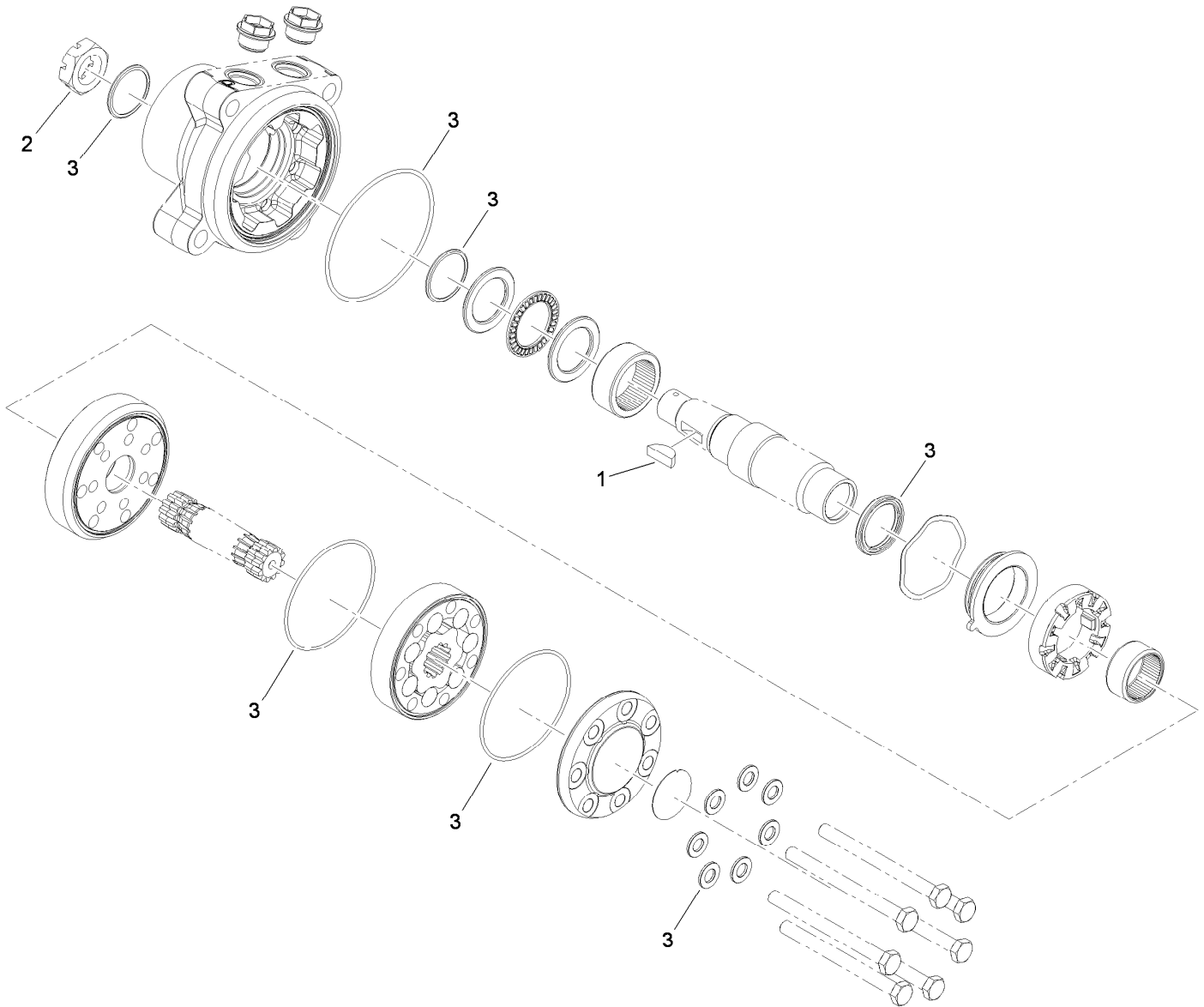
## Tandem Pump Assembly No. 107-9885

Ref.	Part Number	Qty.	Description	Ref.	Part Number	Qty.	Description
1	112-4168	1	Spacer	15	112-4157	8	Bolt
2	112-4151	1	Input Pump Shaft Kit	16	112-4158	2	Fitting-Straight
3	106-8753	4	Pin-Headless, Straight	17	112-4159	1	Hose ASM
4	112-4152	2	Arm-Trunnion	18	112-4160	1	Coupling
5	94-1910	2	Guide-Slot	19	112-4161	2	Bolt
6	112-4153	2	Swashplate	20	112-4162	1	Charge Pump Kit
7	112-4154	2	Bearing-Thrust	21	112-4163	1	Bracket-Support, Pump
8	108-2112	2	Cylinder Block Kit	22	112-4164	1	Charge Relief Kit
9	108-6801	2	Plate-Valve	23	112-4165	2	Bolt-HSH
10	112-4155	4	Shock Valve Kit	24	112-4166	2	Washer
11	104-2189	3	Plug-Thread, Straight	25	112-4167	1	Second Pump Shaft Kit
12	112-4156	1	Plug-Steel	26	112-4150	1	Overhaul Seal Kit
13	106-8759	2	Bypass Valve Kit	27	114-8155	1	Trunnion Seal Kit
14	104-2170	2	Pin				



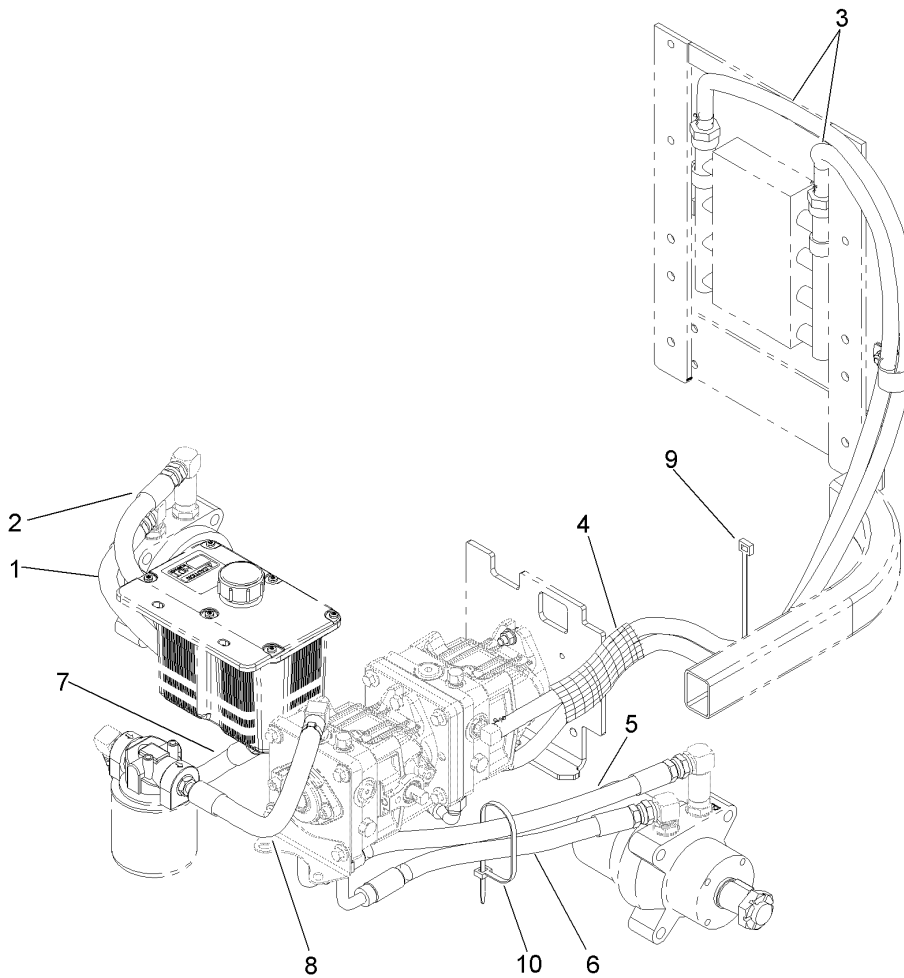
## Hydraulic Motor Assembly No. 112-8357 (CCW)

<i>Ref.</i>	<i>Part Number</i>	<i>Qty.</i>	<i>Description</i>
1	3257-42	1	Key-Woodruff
2	1-809036	1	Nut-HH
3	109-5966	1	Wheel Motor Seal Kit



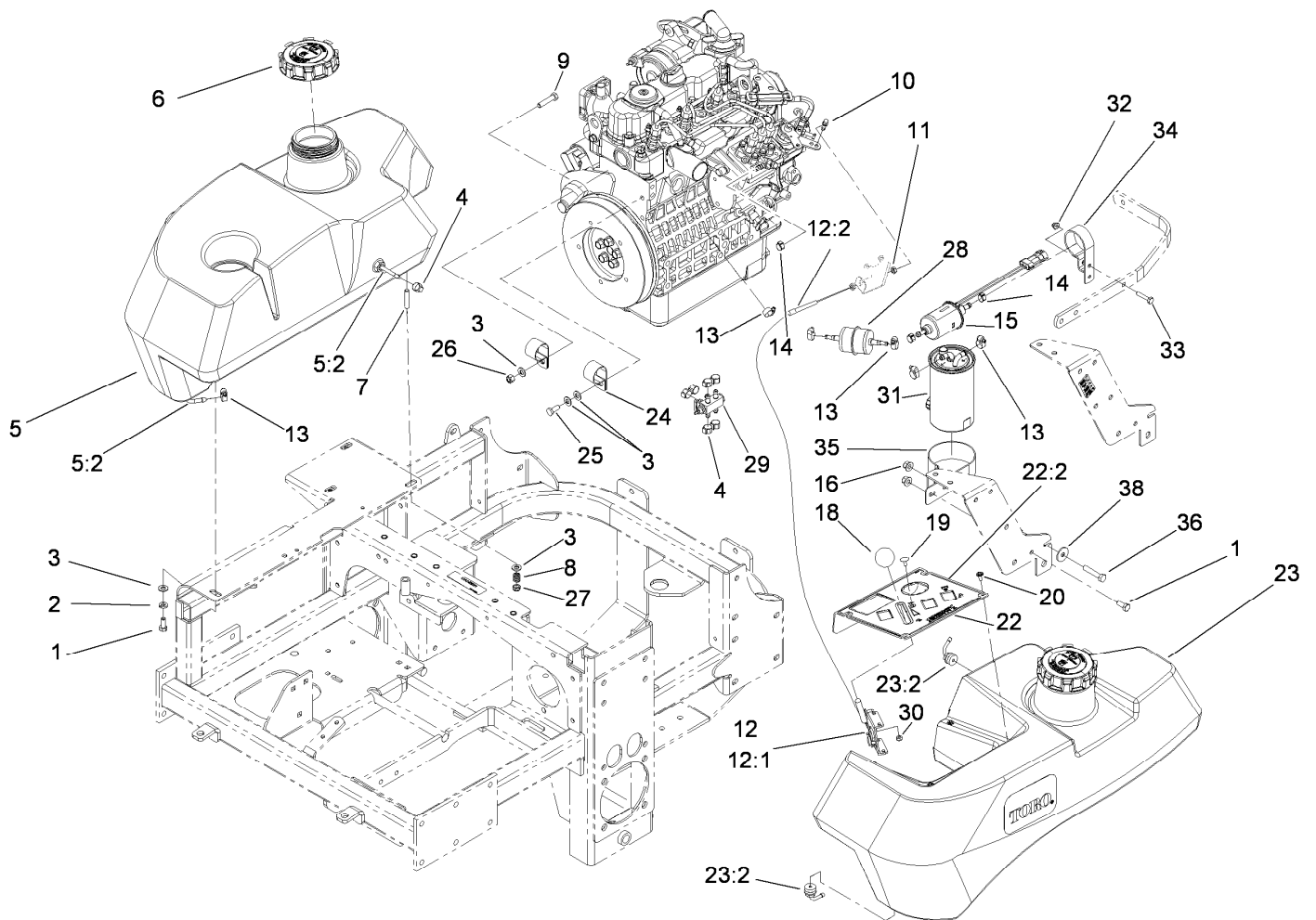
## Hydraulic Motor Assembly No. 112-8358 (CW)

<i>Ref.</i>	<i>Part Number</i>	<i>Qty.</i>	<i>Description</i>
1	3257-42	1	Key-Woodruff
2	1-809036	1	Nut-HH
3	109-5966	1	Wheel Motor Seal Kit



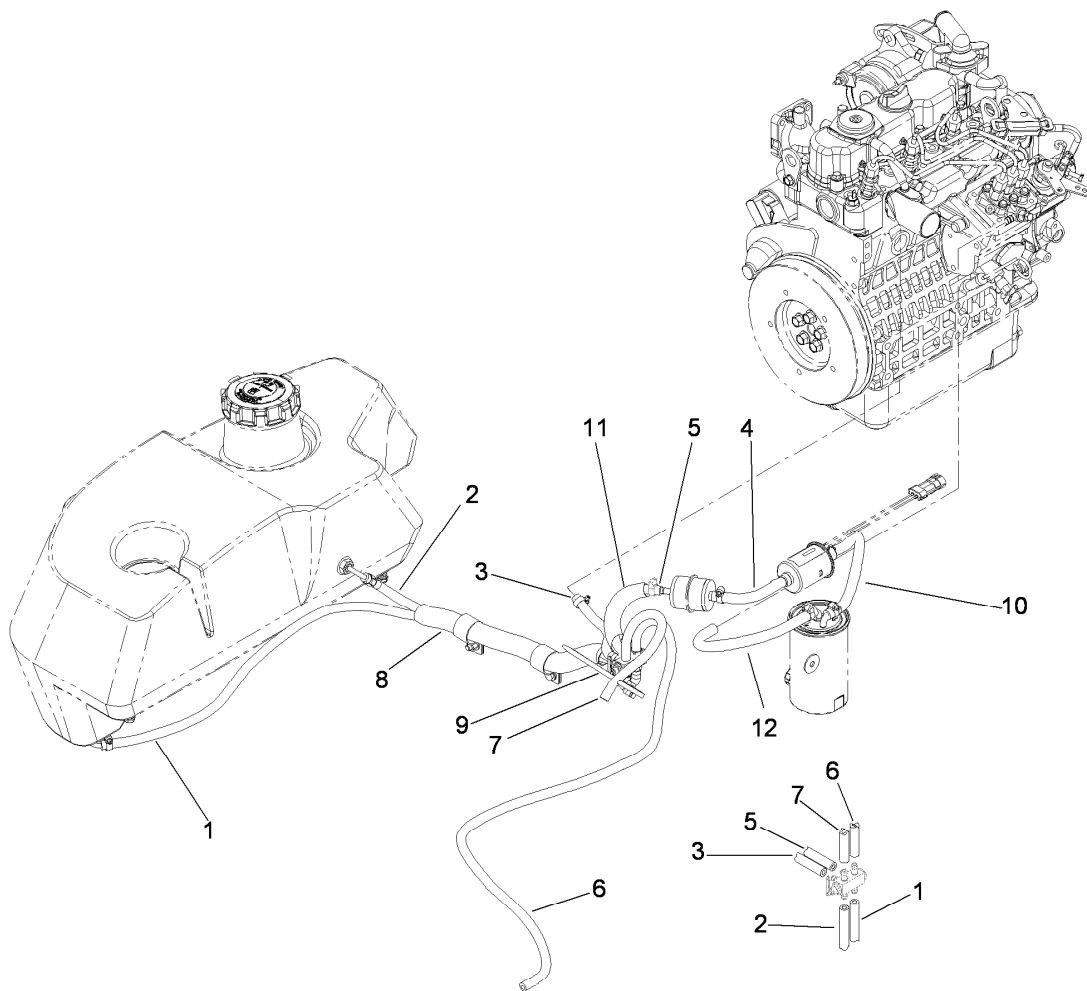
## Hydraulic Hose System Assembly

<i>Ref.</i>	<i>Part Number</i>	<i>Qty.</i>	<i>Description</i>
1	107-3495	1	Hydraulic Hose ASM
2	107-3490	1	Hydraulic Hose ASM
3	114-8169	2	Hose-Hydraulic
4	114-8201	1	Sleeve-Fabric
5	108-5318	1	Hydraulic Hose ASM
6	107-3491	1	Hydraulic Hose ASM
7	110-3854	1	Hydraulic Hose ASM
8	108-5374	1	Hydraulic Hose ASM
9	1-303335	1	Tie-Plastic
10	1-809066	1	Tie-Plastic



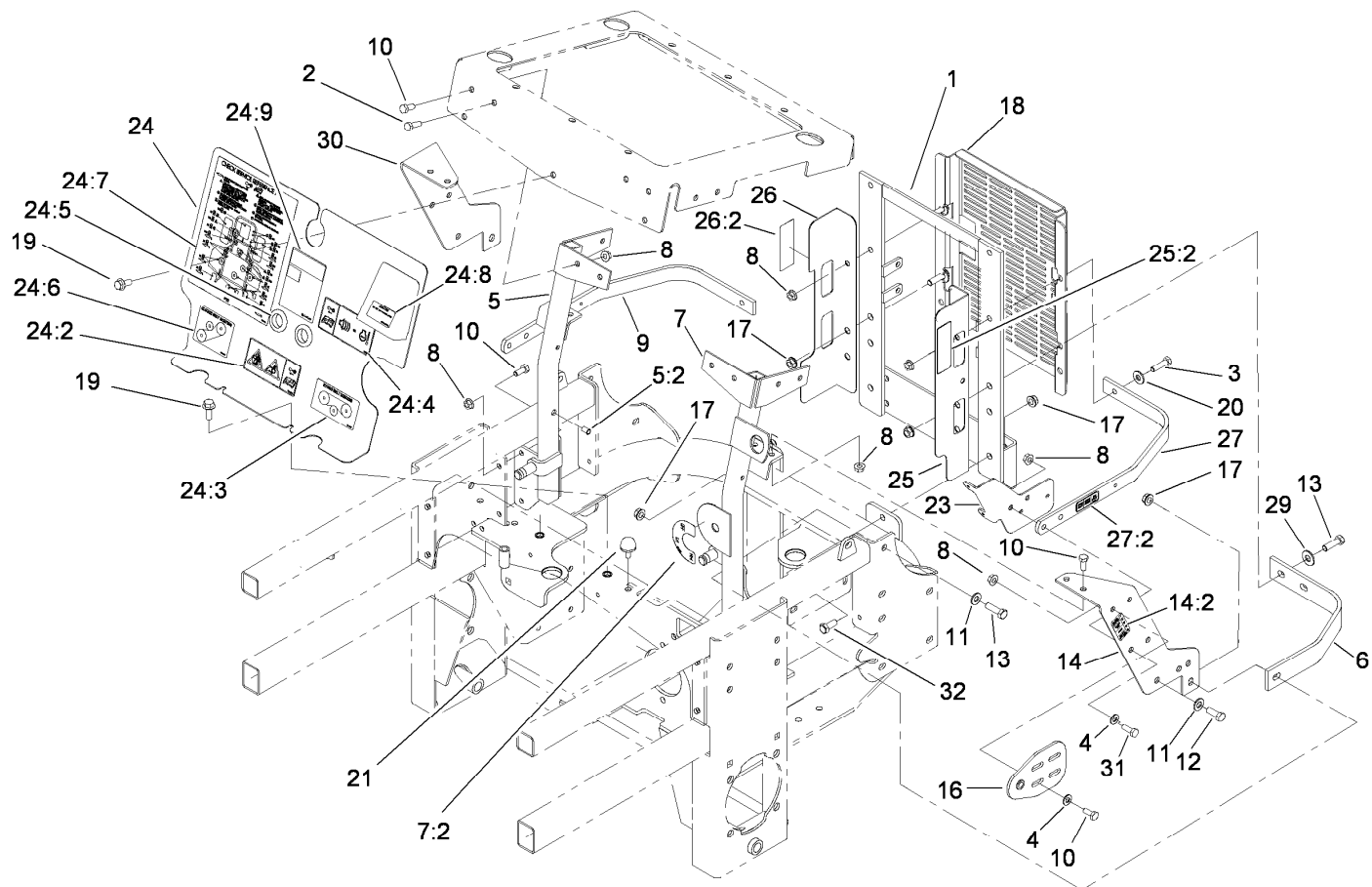
## Fuel System and Throttle Control Assembly

Ref.	Part Number	Qty.	Description	Ref.	Part Number	Qty.	Description
1	322-3	3	Screw-HH	19	1-807513	2	Bolt-CARR
2	1-805005	2	Washer-Lock	20	109-2661	4	Screw-PPH
3	3256-23	11	Washer-Flat	22	117-0913	1	Control Panel ASM
4	1-643293	8	Clamp-Hose, Fuel	22:2	117-0912	1	Decal-Panel, Control
5	114-8221	1	RH Fuel Tank ASM	23	114-8222	1	LH Fuel Tank ASM
5:2	103-2615	2	Fitting-Fuel, Bulkhead	23:2	103-2615	2	Fitting-Fuel, Bulkhead
6	114-5062	2	Cap-Biodiesel	24	1-643312	2	Clip-Loom
7	1-633023	6	Stud	25	33114-020	1	Screw-HH
8	1-633349	6	Spring-Tank, Fuel	26	3296-29	1	Nut-Lock, NI
9	322-7	1	Screw-HH	27	3296-47	6	Nut-Lock, NI
10	108-5928	1	Swivel-Stop, Cable	28	112-7836	1	Filter-Inline
11	3220-1	2	Nut-Jam	29	1-643234	1	Valve-Fuel, Dual Flow
12	108-5927	1	Cable-Control, Throttle	30	3296-2	2	Nut-Lock, NI
12:1	112-2333	1	Lever-Cable, Throttle	31	112-9188	1	Element-Filter, Fuel/Water
12:2	108-6337	1	Cable-Throttle	32	104-7201	1	Nut-HF
13	2412-108	7	Clamp-Worm	33	321-8	1	Screw-HH
14	1-643277	3	Clamp-Hose, Fuel	34	110-8817	1	Bracket-Pump, Fuel
15	110-8806	1	Pump-Fuel	35	110-8807	1	Bracket-Filter, Fuel
16	3296-58	2	Nut-Lock, NI	36	322-9	1	Screw-HH
18	1-603175	1	Knob-Ball	38	3256-82	1	Washer-Flat



## Fuel Line Assembly

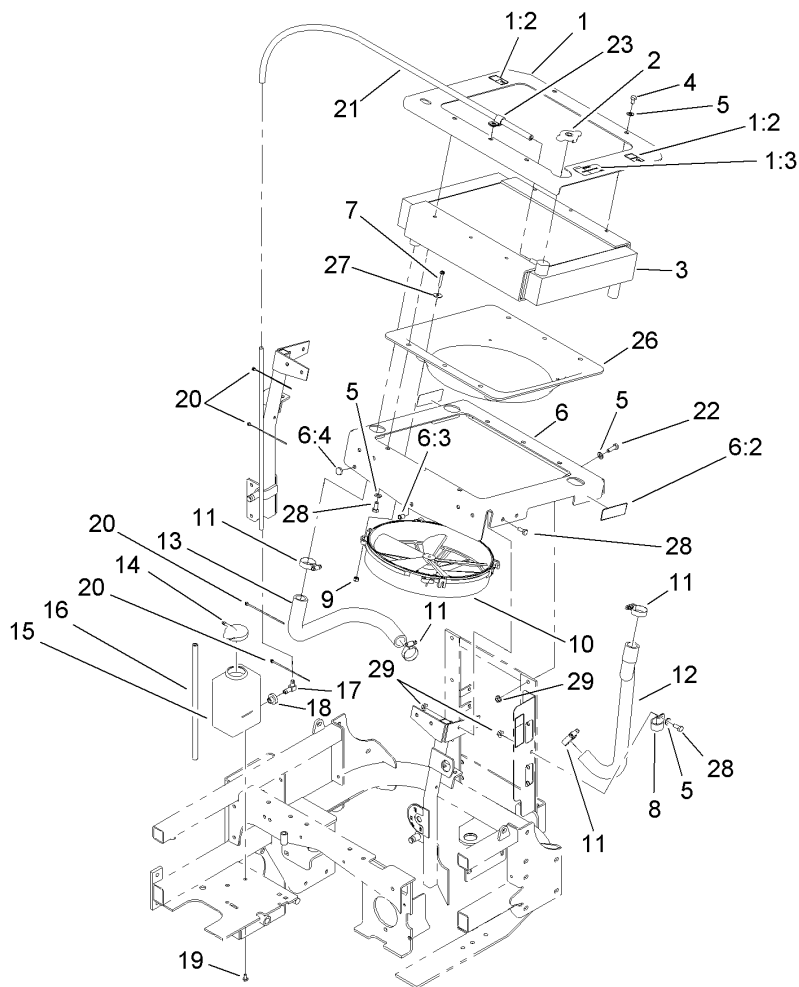
<i>Ref.</i>	<i>Part Number</i>	<i>Qty.</i>	<i>Description</i>
1	108-5376	1	Hose-Fuel
2	109-0301	1	Hose-Fuel
3	110-1876	1	Hose-Fuel
4	108-3283	1	Hose-Fuel
5	109-0303	1	Hose-Fuel
6	109-0275	1	Hose-Fuel
7	109-0297	1	Hose-Fuel
8	108-5377	1	Sleeve-Fabric
9	1-303335	1	Tie-Plastic
10	110-4124	1	Hose-Fuel
11	114-8224	1	Conduit-Fuel Line
12	110-4105	1	Hose-Fuel



## Engine Housing Assembly

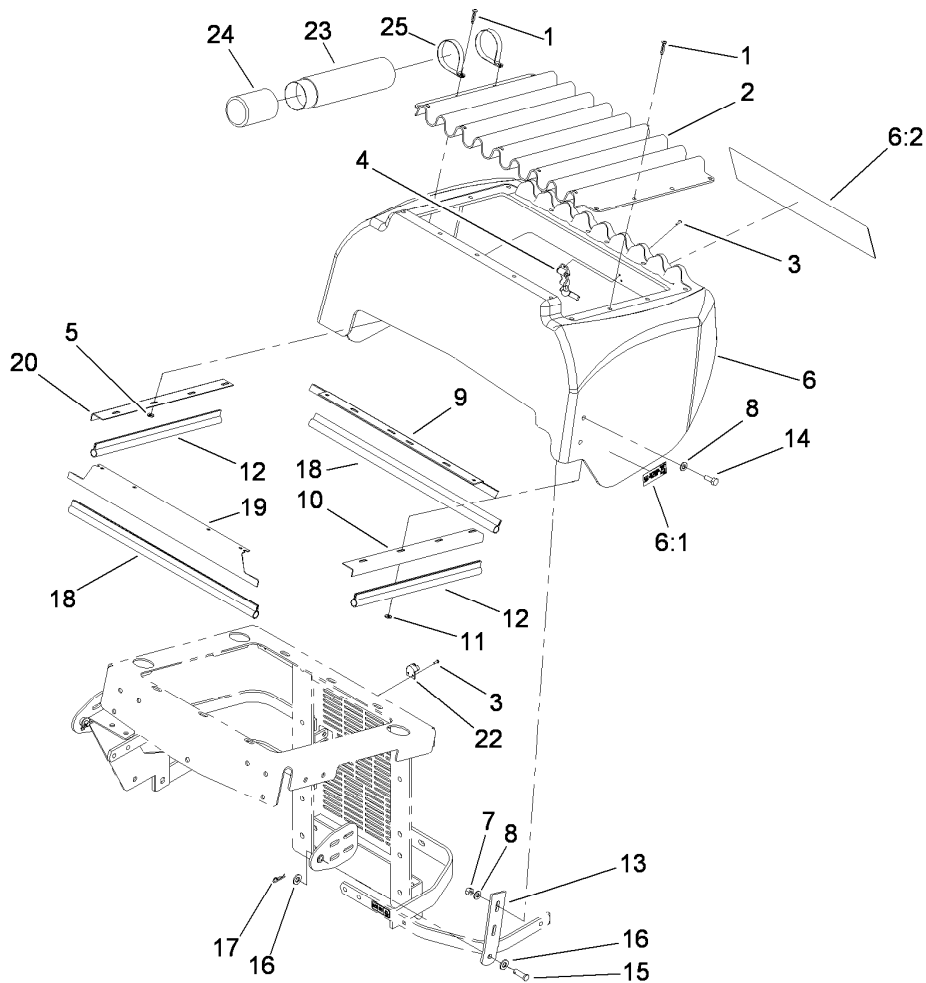
<i>Ref.</i>	<i>Part Number</i>	<i>Qty.</i>	<i>Description</i>	<i>Ref.</i>	<i>Part Number</i>	<i>Qty.</i>	<i>Description</i>
1	107-9934-03	1	Support-Radiator, Rear	23	107-8081-03	1	Bracket-Relay/Fuse
2	322-5	2	Screw-HH	24	108-5936	1	Front Engine Shield ASM
3	322-6	2	Screw-HH	24:2	110-3853	1	Decal-Danger, Rotating Devices
4	3256-23	8	Washer-Flat	24:3	108-5955	1	Decal-Routing, Hydro Belt
5	114-1170	1	RH Radiator Brace ASM	24:4	110-3852	1	Decal- Warning, Buzzer
5:2	32148-11	1	Insert-Threaded	24:5	100-3815	2	Grommet-Rubber
6	103-7623-03	2	Strap-Guard	24:6	108-5957	1	Decal-Routing, Clutch Belt
7	110-3870	1	LH Radiator Brace ASM	24:7	110-3851	1	Decal-Check, Service
7:2	107-2114	1	Decal-Valve, Fuel	24:8	110-0806	1	Decal-Caution
8	32128-20	22	Nut-HF	24:9	104-2449	1	Decal-Coolant
9	114-8223-03	1	Top-Rib	25	110-0879	1	Guard-Fan, LH (Ce)
10	322-3	14	Screw-HH	25:2	107-7719	1	Decal-Danger
11	3256-24	3	Washer-Flat	26	110-0888	1	Guard-Fan, RH (Ce)
12	323-6	1	Screw-HH	26:2	107-7719	1	Decal-Danger
13	323-7	4	Screw-HH	27	110-0890	1	Strap-Top
14	112-8318	1	LH Support Bracket ASM	27:2	110-0305	1	Decal-Relay
14:2	117-3865	1	Decal-Fuses	29	3256-4	2	Washer-Flat
16	108-5345-03	2	Plate-Pivot, Hood	30	108-5339-03	1	Bracket-Support, RH
17	3290-357	7	Nut-HHF, Whiz	31	322-4	4	Screw-HH
18	112-8302-03	1	Shield-Cooler	32	323-5	2	Screw-HH
19	3234-33	3	Screw-HHF				
20	3256-3	2	Washer-Flat				
21	109-2365	2	Rubber Bumper ASM (W/Stud)				





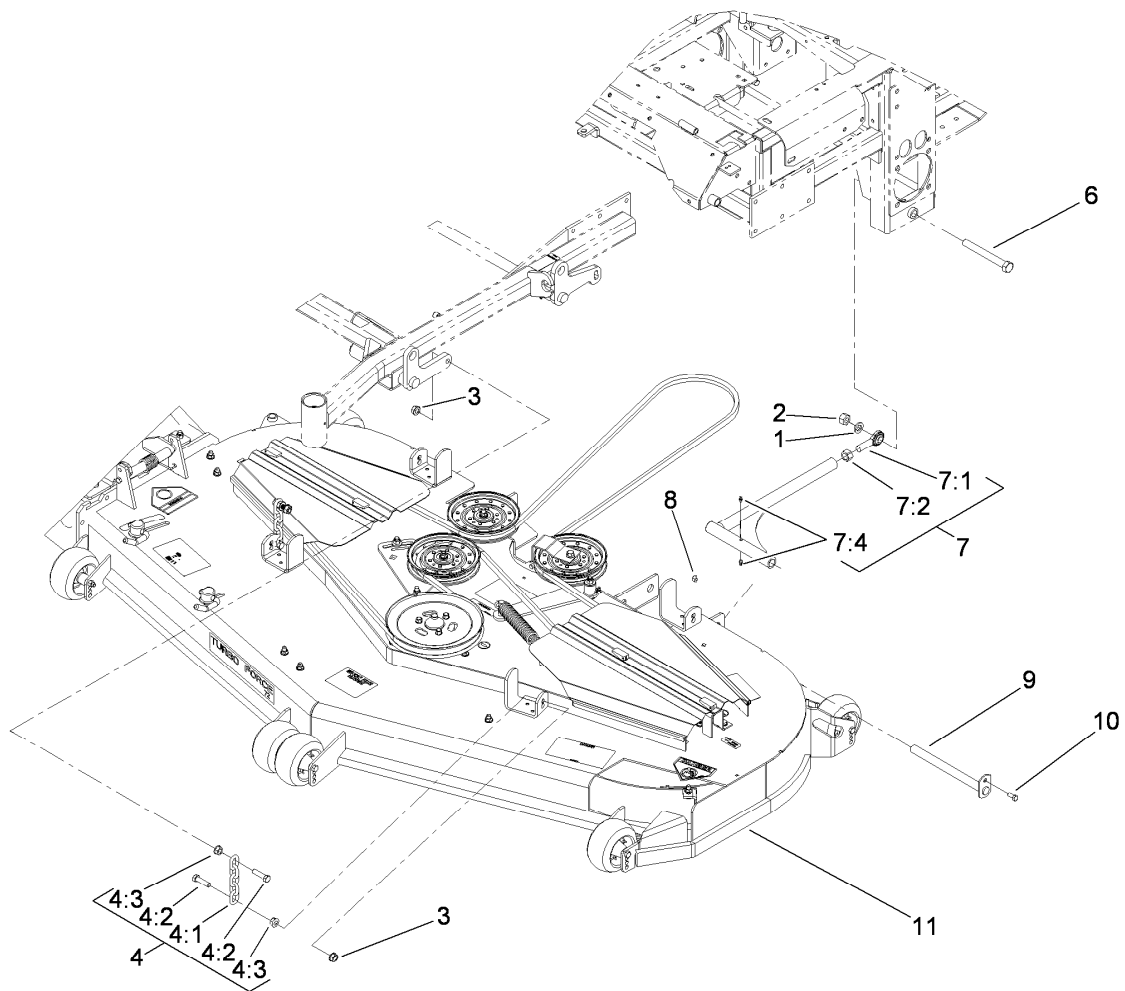
## Cooling System Assembly

<i>Ref.</i>	<i>Part Number</i>	<i>Qty.</i>	<i>Description</i>	<i>Ref.</i>	<i>Part Number</i>	<i>Qty.</i>	<i>Description</i>
1	110-3845	1	Top Radiator Plate ASM	12	108-5372	1	Hose-Radiator, LH
1:2	93-8069	2	Decal-Surface, Hot	13	108-5904	1	Hose-Outlet, Engine
1:3	110-3842	1	Decal-Antifreeze	14	1-643164	1	Cap-Tank, Overflow
2	1-643161	1	Cap-Radiator	15	1-643163	1	Tank-Overflow
3	107-9932	1	Radiator	16	1-603954	1	Hose-Line, Fuel
4	322-1	6	Screw-HH	17	1-643259	1	Fitting-Elbow
5	3256-23	16	Washer-Flat	18	1-513645	1	Bushing-Valve, Fuel
6	110-0880	1	Bottom Radiator Plate ASM	19	321-2	2	Screw-HH
6:2	107-7719	2	Decal-Danger	20	1-303287	5	Tie-Cable
6:3	32148-6	1	Insert-Nut	21	103-1428	1	Hose-Overflow
6:4	1-513658	2	Bumper	22	322-5	3	Screw-HH
7	1-803067	4	Screw	23	1-603727	1	Clip-Loom
8	1-643312	1	Clip-Loom	26	108-5971	1	Shroud-Cooling, Engine
9	1-804254	4	Nut-Lock, HH	27	3256-67	4	Washer-Flat
10	1-633831	1	Fan	28	322-3	10	Screw-HH
11	1-633989	4	Clamp-Hose	29	32128-20	3	Nut-HF



## Hood Assembly

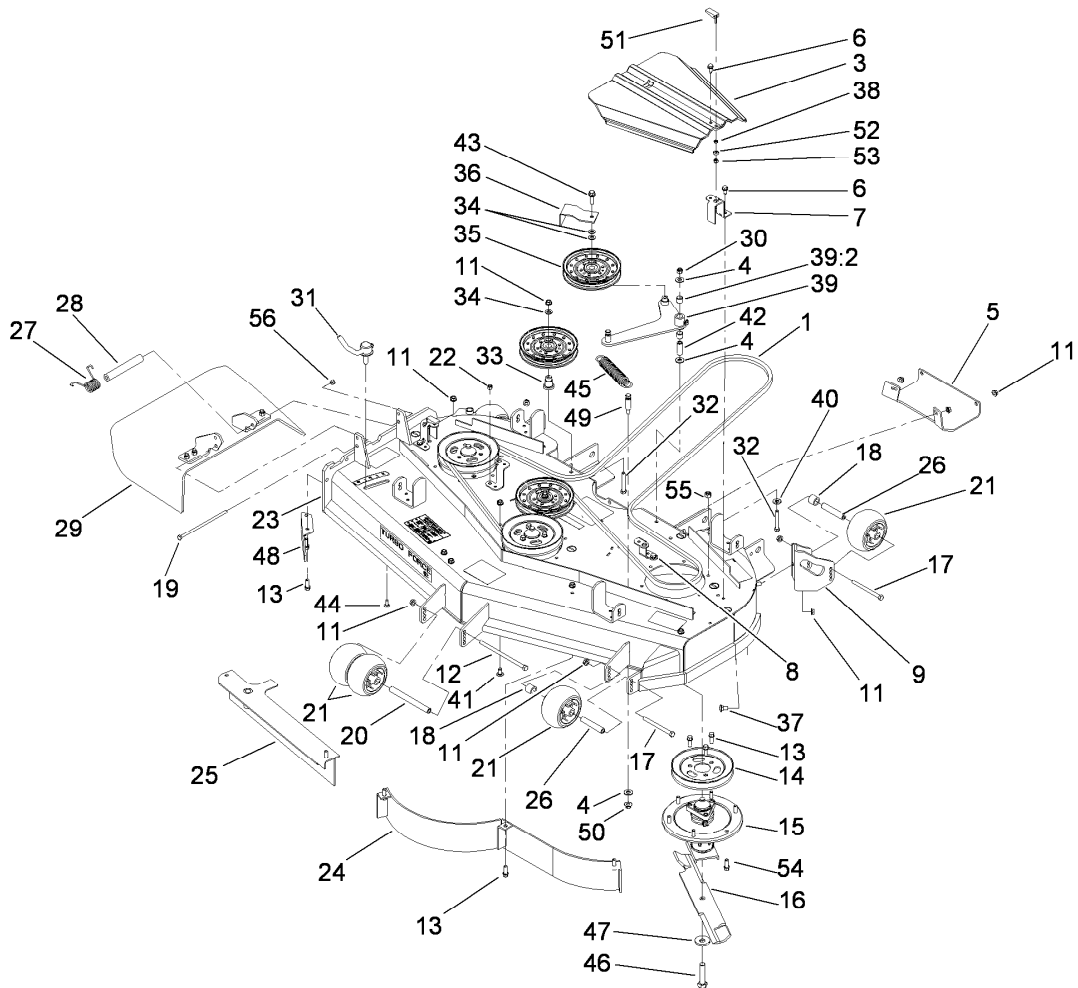
<i>Ref.</i>	<i>Part Number</i>	<i>Qty.</i>	<i>Description</i>	<i>Ref.</i>	<i>Part Number</i>	<i>Qty.</i>	<i>Description</i>
1	1-803072	17	Rivet	12	1-643186	2	Seal-Trim
2	1-633864-03	1	Screen-Radiator	13	108-5337-03	2	Plate-Hinge, Hood
3	923786	4	Rivet	14	322-4	4	Screw-HH
4	1-643188	1	Latch-Rubber	15	1-808285	2	Pin-Clevis
5	1-303435	4	Washer-Spring	16	3256-24	4	Washer-Flat
6	114-8225	1	Hood ASM	17	1-806003	2	Pin-Cotter, Hair
6:1	114-9600	2	Decal-Low Sulfur	18	1-643187	2	Seal-Trim
6:2	107-7674	1	Decal	19	1-643107-03	1	Angle-Radiator, Top
7	3296-29	4	Nut-Lock, NI	20	1-643106-03	1	Angle-Radiator, RH
8	3256-23	8	Washer-Flat	22	1-643189	1	Keeper-Latch, Rubber
9	1-643108-03	1	Angle-Radiator, Bottom	23	104-7050	1	Tube-Manual
10	1-643105-03	1	Angle-Radiator, LH	24	104-7048	1	Cap-Housing
11	3256-14	12	Washer-Flat	25	2412-120	2	R-Clamp



## Deck Connection Assembly

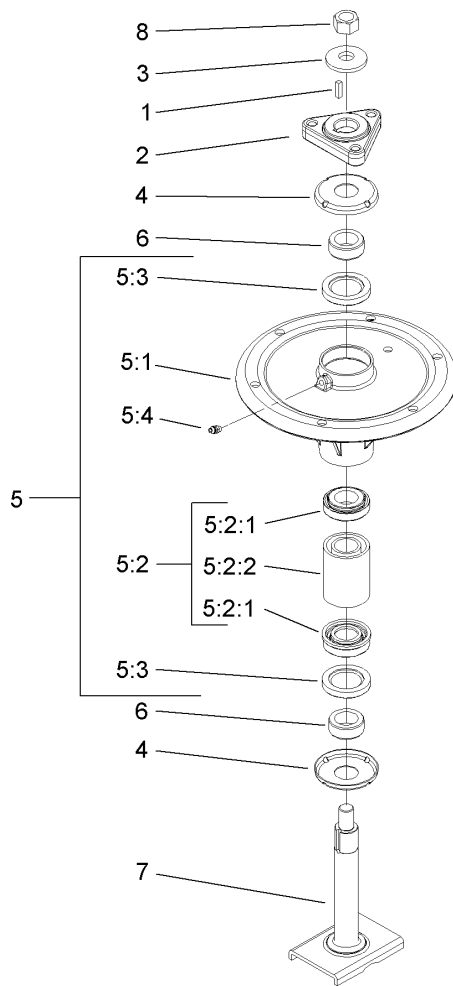
Ref.	Part Number	Qty.	Description
1	3253-8	2	Washer-Lock
2	3217-11	2	Nut-Hex
3	32128-37	8	Nut-HF
4	103-9792	4	Deck Chain ASM
4:1	1-633447	1	Chain-Lift, Deck
4:2	103-1898	2	Screw-HH
4:3	32128-37	2	Nut-HF
6	327-28	2	Screw-HH
7	108-5969	2	Strut ASM
7:1	1-633029	1	Balljoint-Spherical
7:2	3219-6	1	Nut-Hex
7:4	109-1380	1	Fitting-Grease
8	3296-29	2	Nut-Lock, NI
9	1-632199-01	2	Pin-Strut
10	322-3	2	Screw-HH
11		1	Deck ASM ●

● Not serviced separately



## Deck Assembly

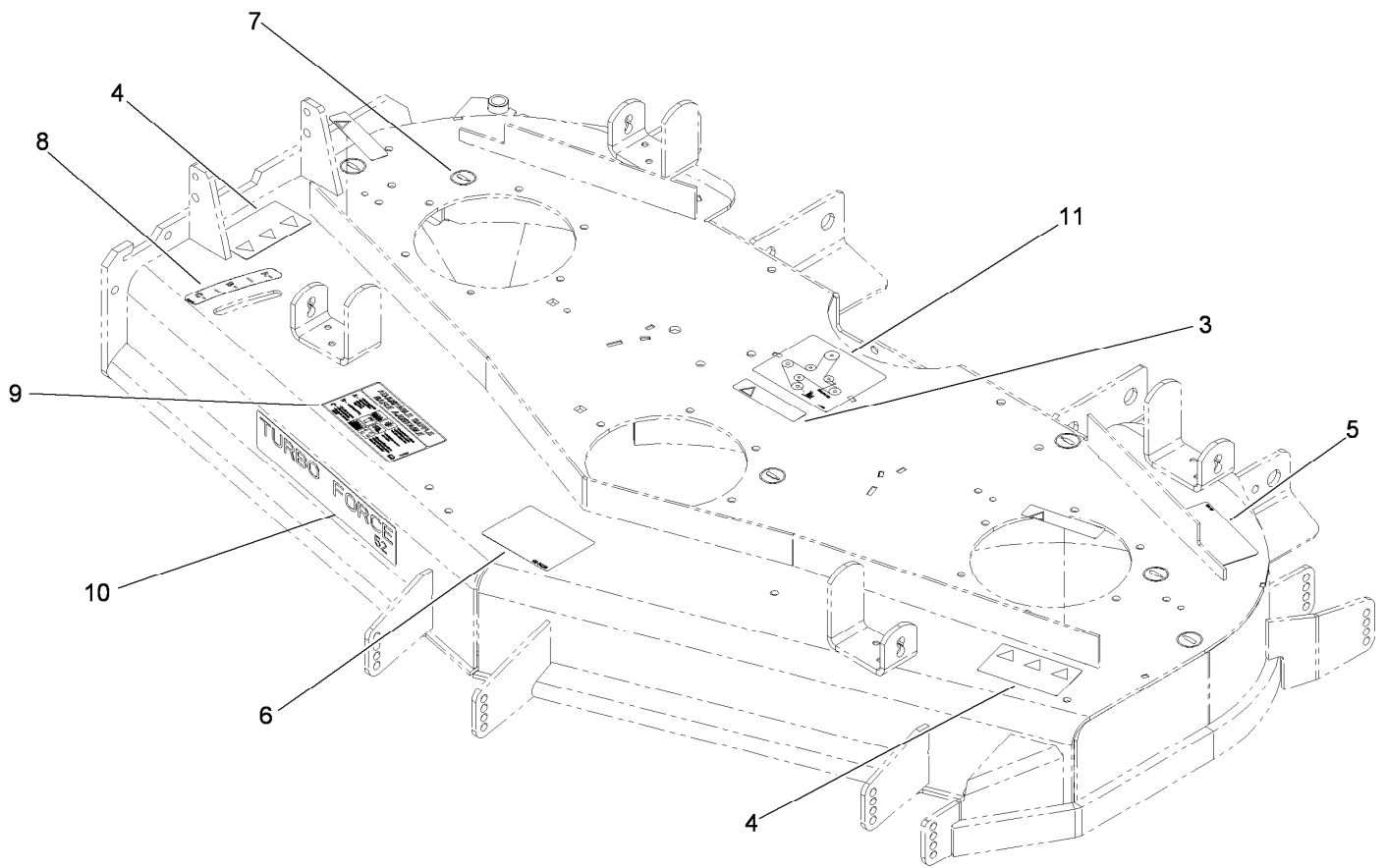
Ref.	Part Number	Qty.	Description	Ref.	Part Number	Qty.	Description
1	108-5951	1	Belt-V	31	107-1664	1	Lever ASM
3	107-8536	2	Cover-Belt	32	323-12	3	Screw-HH
4	3256-4	3	Washer-Flat	33	106-3214	2	Mount-Pulley
5	106-7358-01	1	Plate-Skid	34	3256-24	4	Washer-Flat
6	32144-70	5	Screw-HWHTF	35	1-633109	3	Idler-Flat
7	108-4121-01	2	Bracket-Cover	36	108-7220-01	1	Guide-Belt
8	108-2177-01	2	Bracket-Cover, Tall	37	3231-1	11	Screw-CARR
9	106-7354-01	1	Mount-Wheel, LH	38	99-3058	2	Washer
11	3290-357	24	Nut-HHF, Whiz	39	108-5949	1	Deck Idler Arm ASM
12	108-5388	1	Screw-HH	39:2	103-4681	2	Sleeve-Bearing
13	92-1624	15	Screw-HWH	40	98-5975	1	Washer-Belleville
14	108-5979	3	Pulley-B Section	41	3231-21	1	Screw-CARR
15	108-7713	3	Spindle ASM	42	1-603044	1	Bushing
16	105-7781-03	3	Blade-18 Inch (Hi Flow)	43	3234-24	1	Screw-HHF
17	323-23	3	Screw-HH	44	3230-23	1	Screw-CARR
18	98-7913	3	Tube-Spacer	45	110-0822	1	Spring-Extension
19	322-50	1	Screw-HH	46	103-0862	3	Screw-Cap
20	98-5967	1	Spacer-Wheel	47	103-0865	3	Washer-Blade Bolt, Heavy
21	1-603299	5	Roller-Scalp, Anti	48	106-3216-01	1	Baffle-Discharge
22	3296-29	1	Nut-Lock, NI	49	110-0801	1	Pin-Threaded, Spring Anchor
23	114-4487	1	Deck Decal ASM	50	32128-19	1	Nut-HF
24	105-7754-01	1	Baffle ASM	51	106-6777	2	Handle-Latch, Swell
25	105-7755-01	1	Baffle ASM	52	106-6778	2	Bushing-Latch, Swell
26	98-7912	3	Tube-Spanner	53	1-804254	2	Nut-Lock, HH
27	108-4052	1	Spring-Torsion	54	33115-025	18	Screw-HH
28	105-4622	1	Spacer	55	33025-00	18	Nut-Lock, NI
29	108-2792	1	Rubber Deflector ASM	56	3296-47	1	Nut-Lock, NI
30	3296-39	1	Nut-Lock, NI				



## Spindle Assembly No. 108-7713

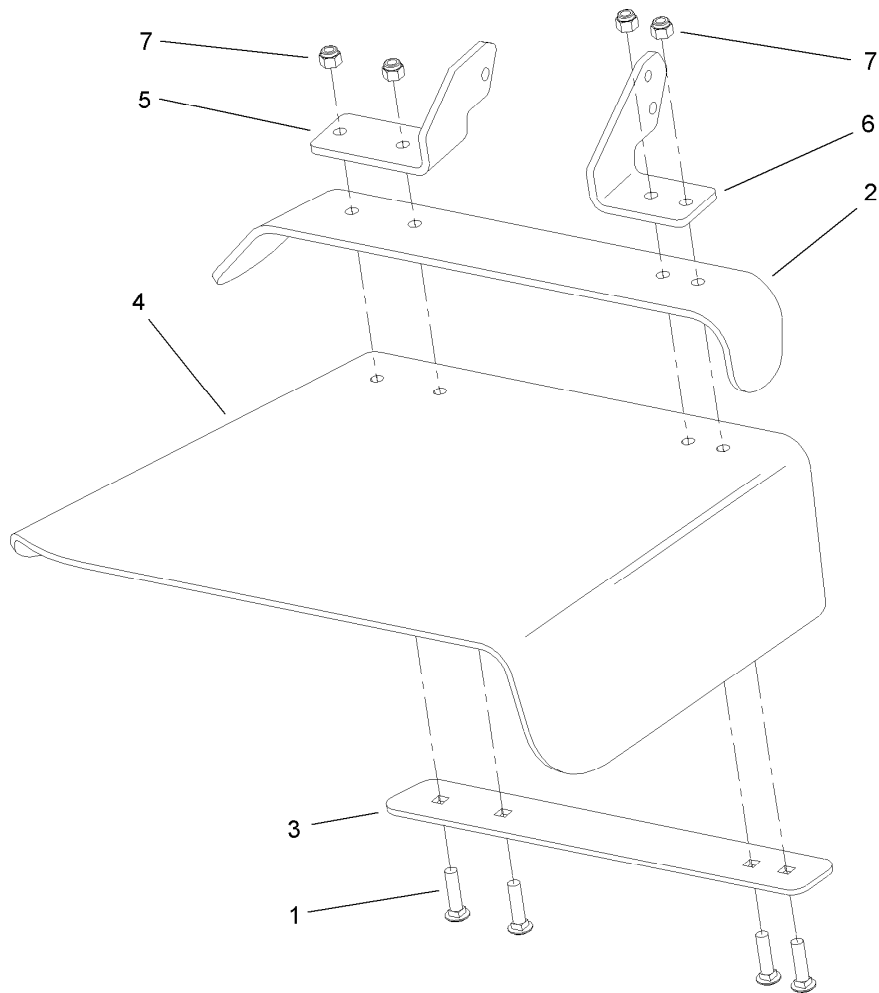
<i>Ref.</i>	<i>Part Number</i>	<i>Qty.</i>	<i>Description</i>
1	10-8040	1	Key-Square
2	106-3277	1	Hub-Pulley
3	103-0865	1	Washer-Blade Bolt, Heavy
4	106-3204	2	Shield-Bearing
5		1	Spindle Bearing ASM ●
5:1	106-3211	1	Housing-Spindle
5:2	108-7711	1	Bearing ASM
5:2:1	108-7710	1	Bearing ASM
5:2:2	106-3206	1	Spacer (Matched Set)
5:3	253-133	2	Seal-Oil
5:4	302-5	1	Fitting-Grease
6	106-3218	2	Spacer-Seal
7	106-3233	1	Spindle Shaft ASM
8	3219-6	1	Nut-Hex

● Not serviced separately



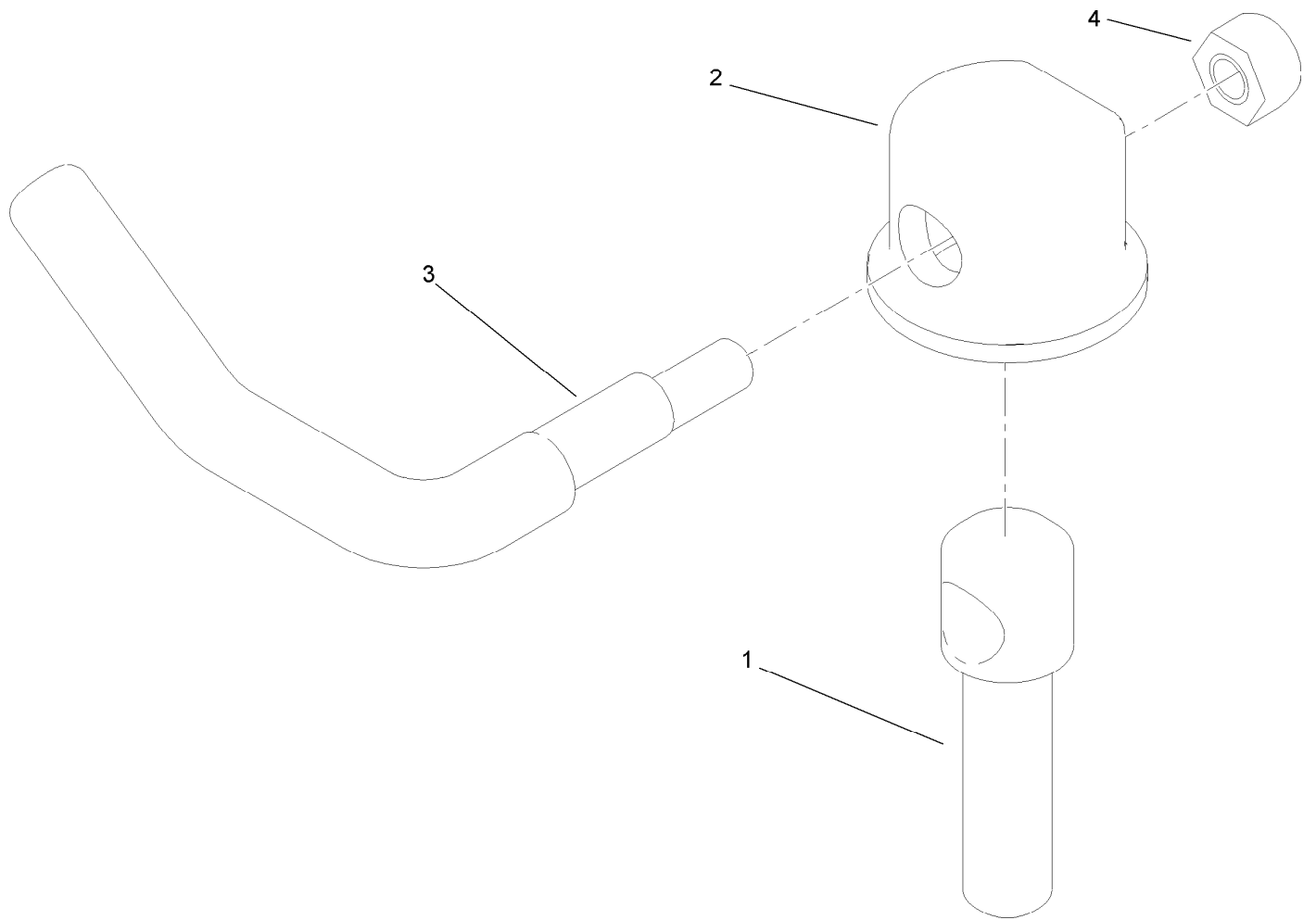
## Deck Decal Assembly No. 114-4487

<i>Ref.</i>	<i>Part Number</i>	<i>Qty.</i>	<i>Description</i>
3	98-1977	3	Decal-Warning
4	93-7010	2	Decal-Danger
5	93-7818	1	Decal-Torque, Blade Bolt
6	99-8939	1	Decal-Anti Scalp
7	58-6520	6	Decal-Grease
8	110-2067	1	Decal-Setting, Baffle
9	110-2068	1	Decal-Adjustment, Baffle
10	107-1618	1	Decal
11	108-5981	1	Decal-Routing, Belt



## Rubber Deflector Assembly No. 108-2792

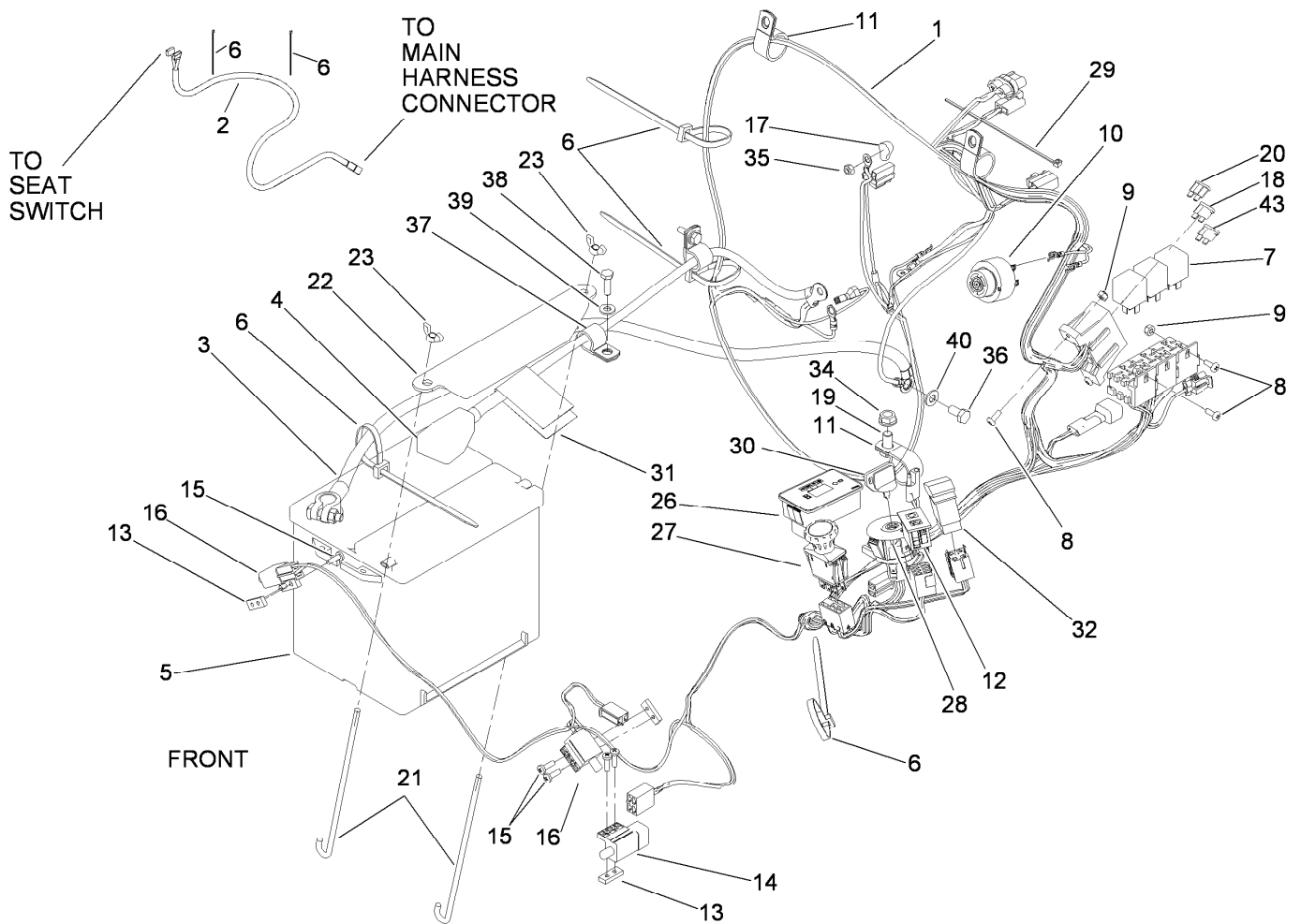
<i>Ref.</i>	<i>Part Number</i>	<i>Qty.</i>	<i>Description</i>
1	3231-4	4	Screw-CARR
2	106-3246-01	1	Deflector
3	106-3248-03	1	Strap-Discharge
4	108-5029	1	Deflector-Rubber
5	108-4059-01	1	Plate-Hinge, Rear
6	106-3253-01	1	Plate-Hinge, Front
7	3296-39	4	Nut-Lock, NI



## Lever Assembly No. 107-1664

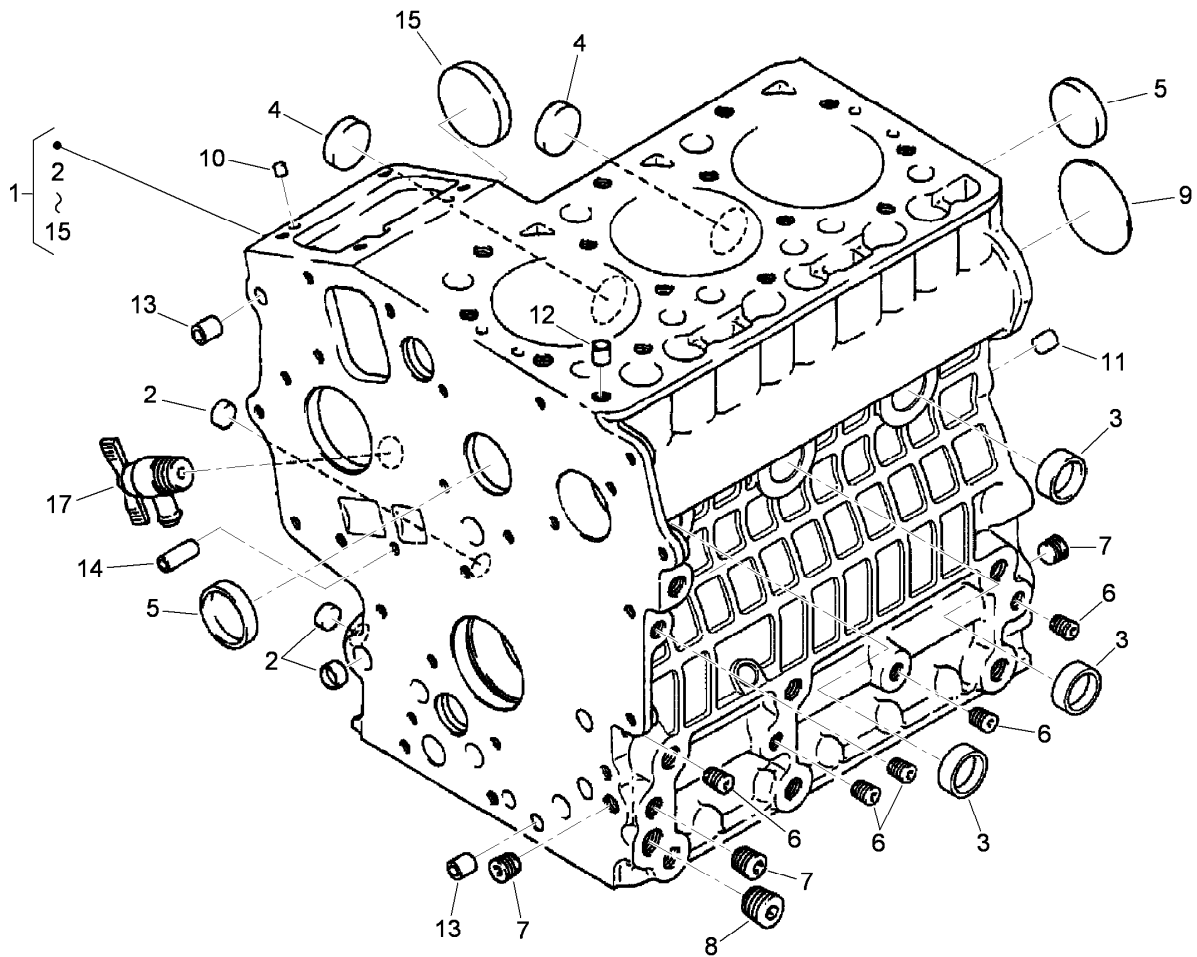
<i>Ref.</i>	<i>Part Number</i>	<i>Qty.</i>	<i>Description</i>
1	106-3239	1	Screw-Lock
2	107-1644	1	Cap-Lock
3	106-3241	1	Lever-Lock
4	3296-29	1	Nut-Lock, NI





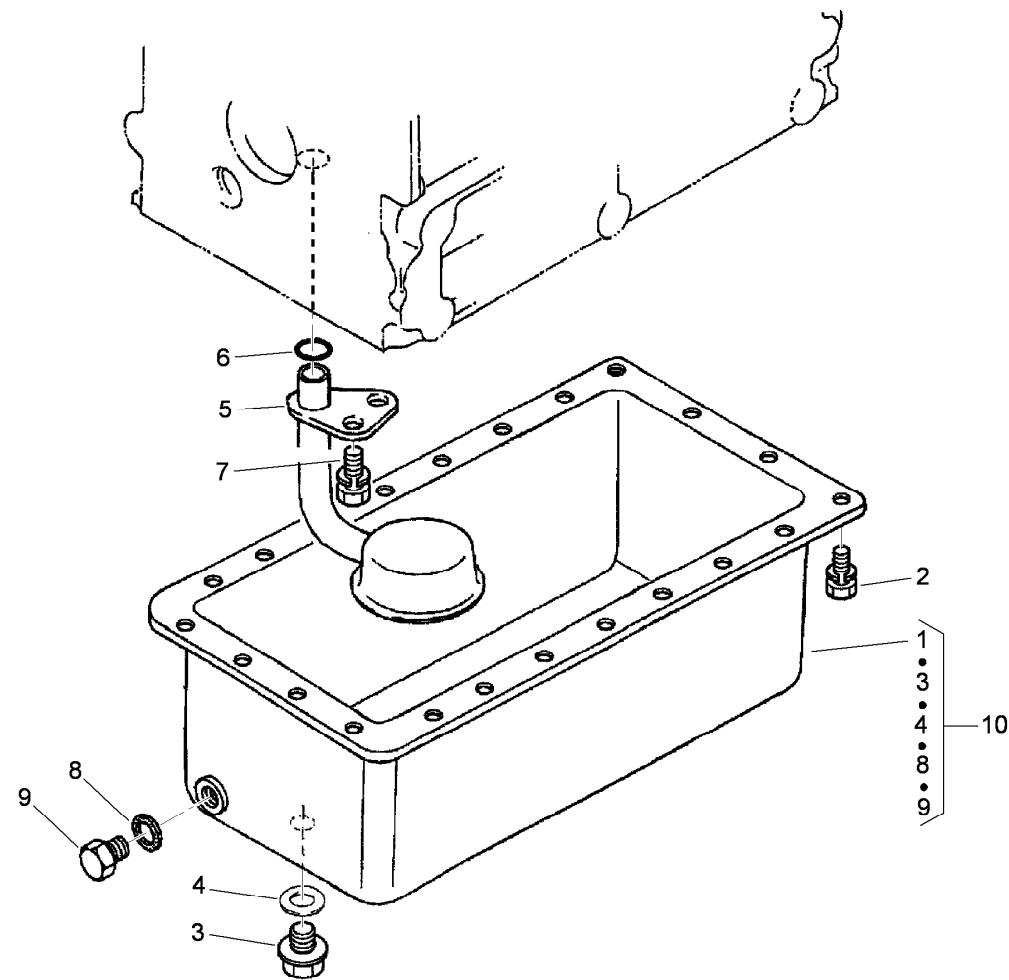
## Electrical Assembly

Ref.	Part Number	Qty.	Description	Ref.	Part Number	Qty.	Description
1	117-3802	1	Harness-Wire	21	103-1312	2	Bolt-Holddown
2	103-1227	1	Harness-Wiring, Seat	22	103-1311-03	1	Holddown-Battery
3	110-0303	1	Cable-Battery, Negative	23	1-543792	2	Wingnut
4	110-0304	1	Cable-Battery, Positive	26	112-8650	1	Hour Meter ASM
5	106-5187	1	Battery	27	116-0124	1	Switch-PTO, 10A
6	1-303335	7	Tie-Plastic	28	116-0050	1	Switch-Ignition
7	1-643275	3	Relay	29	1-303287	1	Tie-Cable
8	1-803071	4	Screw	30	63-8360	2	Key-Ignition
9	3296-2	4	Nut-Lock, NI	31	107-9309	1	Decal-Instructions, Charging
10	103-0205	1	Alarm-Tone, Dual	32	110-0811	1	Switch-Rocker
11	1-643312	3	Clip-Loom	34	3290-357	1	Nut-HHF, Whiz
12	100-8071	1	Lamp-Warning	35	33023-00	1	Nut-Lock
13	1-633181	3	Plate-Tapped	36	33114-016	1	Screw-HH
14	1-633111	1	Switch	37	1-633396	2	Clip-Loom
15	3290-500	6	Screw-PPH	38	321-5	2	Screw-HH
16	1-513051	2	Switch-Open, Normally	39	3256-22	2	Washer-Flat
17	1-643178	1	Cap-Insulator, Red	40	3256-23	1	Washer-Flat
18	103-1368	1	Fuse-40 Amp	43	218-578	1	Fuse-Blade, 10 Amp
19	323-4	1	Screw-HH				
20	109103	1	Fuse-Blade, 30 Amp				



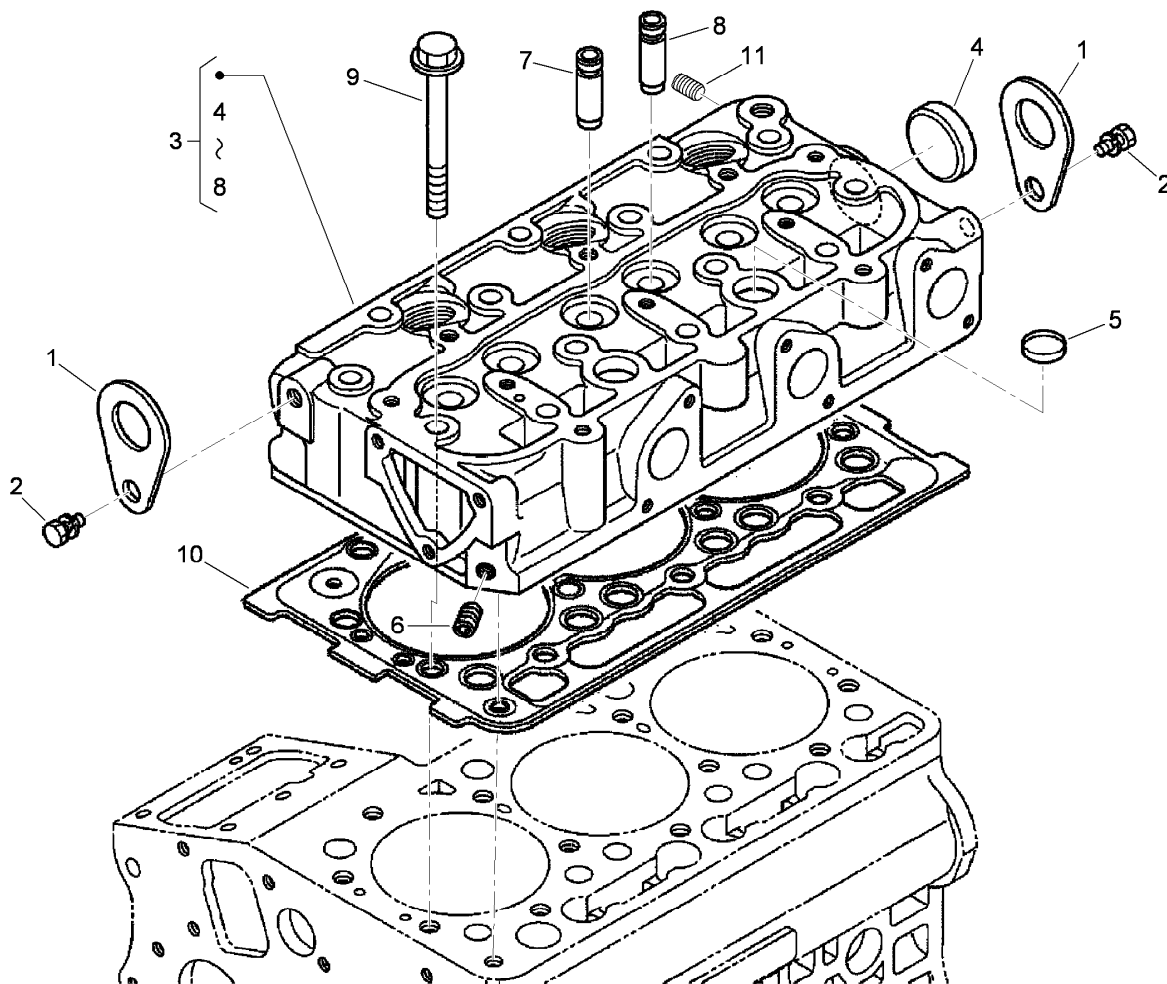
## Crankcase Assembly

<i>Ref.</i>	<i>Part Number</i>	<i>Qty.</i>	<i>Description</i>
1	117-0301	1	Crankcase ASM
2	100-2019	3	Cap-Sealing
3	100-2020	3	Cap-Sealing
4	110-3702	2	Cap-Sealing
5	98-9398	2	Cap-Sealing
6	98-9687	5	Plug
7	98-7487	3	Plug
8	98-7488	1	Plug
9	100-1851	1	Plug-Expansion
10	98-9375	2	Pin-Straight
11	98-9377	2	Pin-Straight
12	98-7506	1	Pin-Pipe
13	98-9387	2	Pin-Pipe
14	100-2051	2	Pin-Pipe
15	100-1991	1	Cover-Fuel, Camshaft
17	98-9436	1	Drain Cock ASM



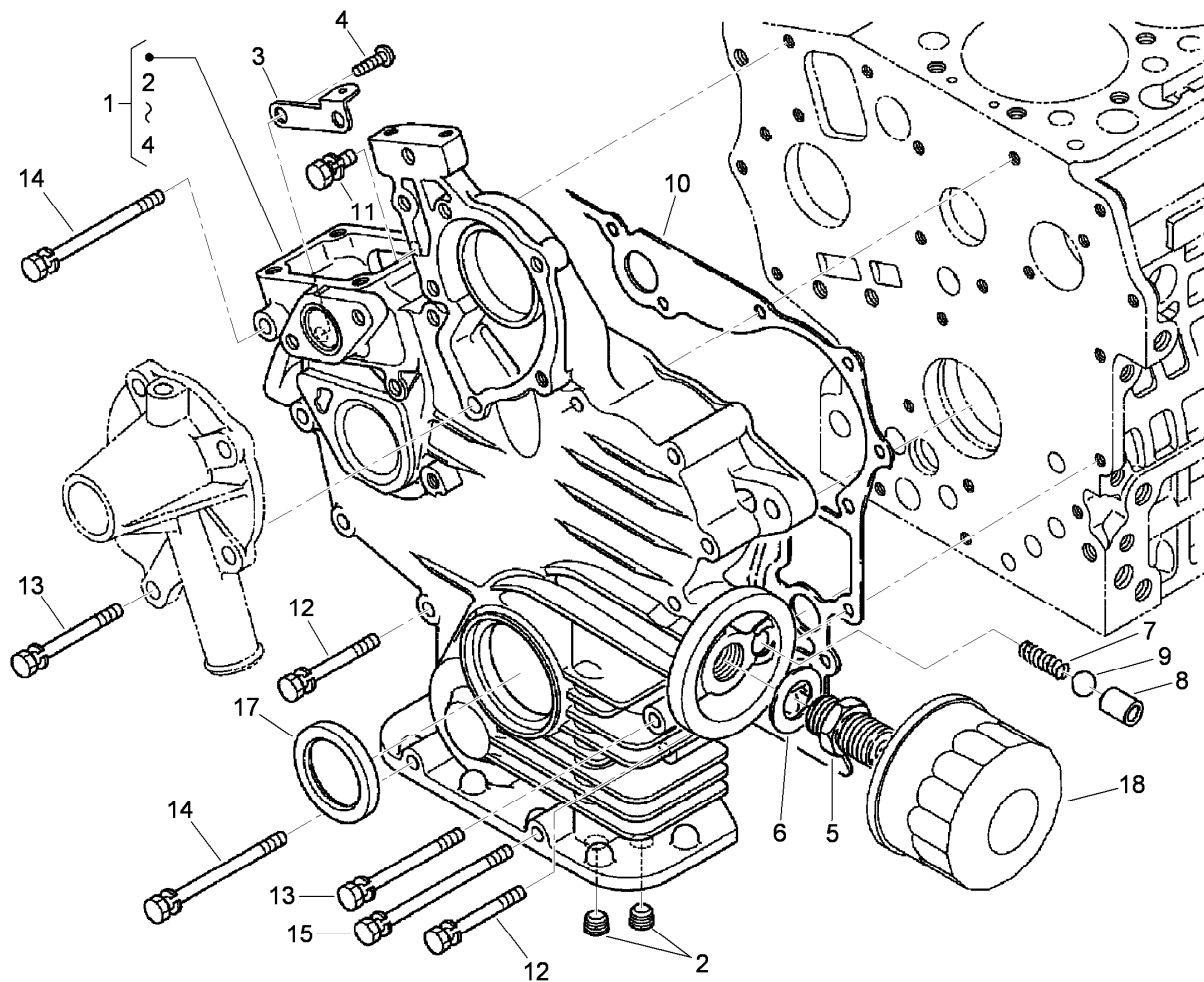
## Oil Pan Assembly

<i>Ref.</i>	<i>Part Number</i>	<i>Qty.</i>	<i>Description</i>
1	112-8328	1	*obs* Pan-Oil
2	117-0302	22	Bolt
3	98-9686	1	Plug-Drain
4	110-9715	1	Gasket-Pan, Oil
5	100-2001	1	Strainer-Pickup, Oil
6	105-3776	1	O-Ring
7	100-9195	1	Bolt
8	98-7524	1	Gasket
9	114-8151	1	Plug-Drain
10	112-8327	1	Oil Pan Kit



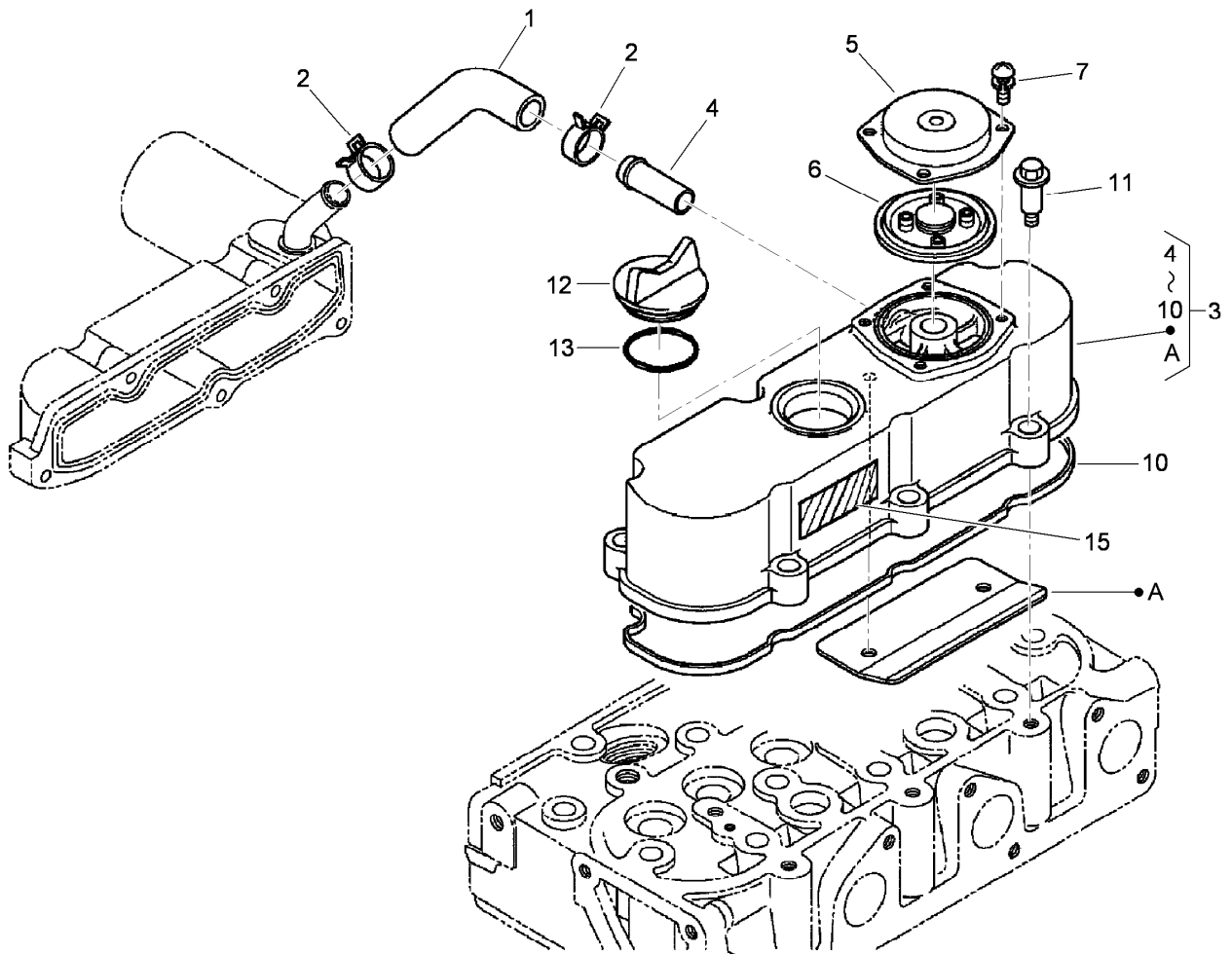
## Cylinder Head Assembly

<i>Ref.</i>	<i>Part Number</i>	<i>Qty.</i>	<i>Description</i>
1	98-7531	2	Hook-Engine
2	98-7526	2	Bolt
3	112-8329	1	Head-Cylinder
4	105-3705	1	Cap-Sealing
5	98-9389	2	Cap-Sealing
6	98-9687	1	Plug
7	100-1882	3	Guide-Valve, Inlet
8	100-1883	3	Guide-Valve, Exhaust
9	100-1820	14	Bolt-Head, Cylinder
10	112-2520	1	Gasket-Head, Cylinder
11	98-9444	1	Plug



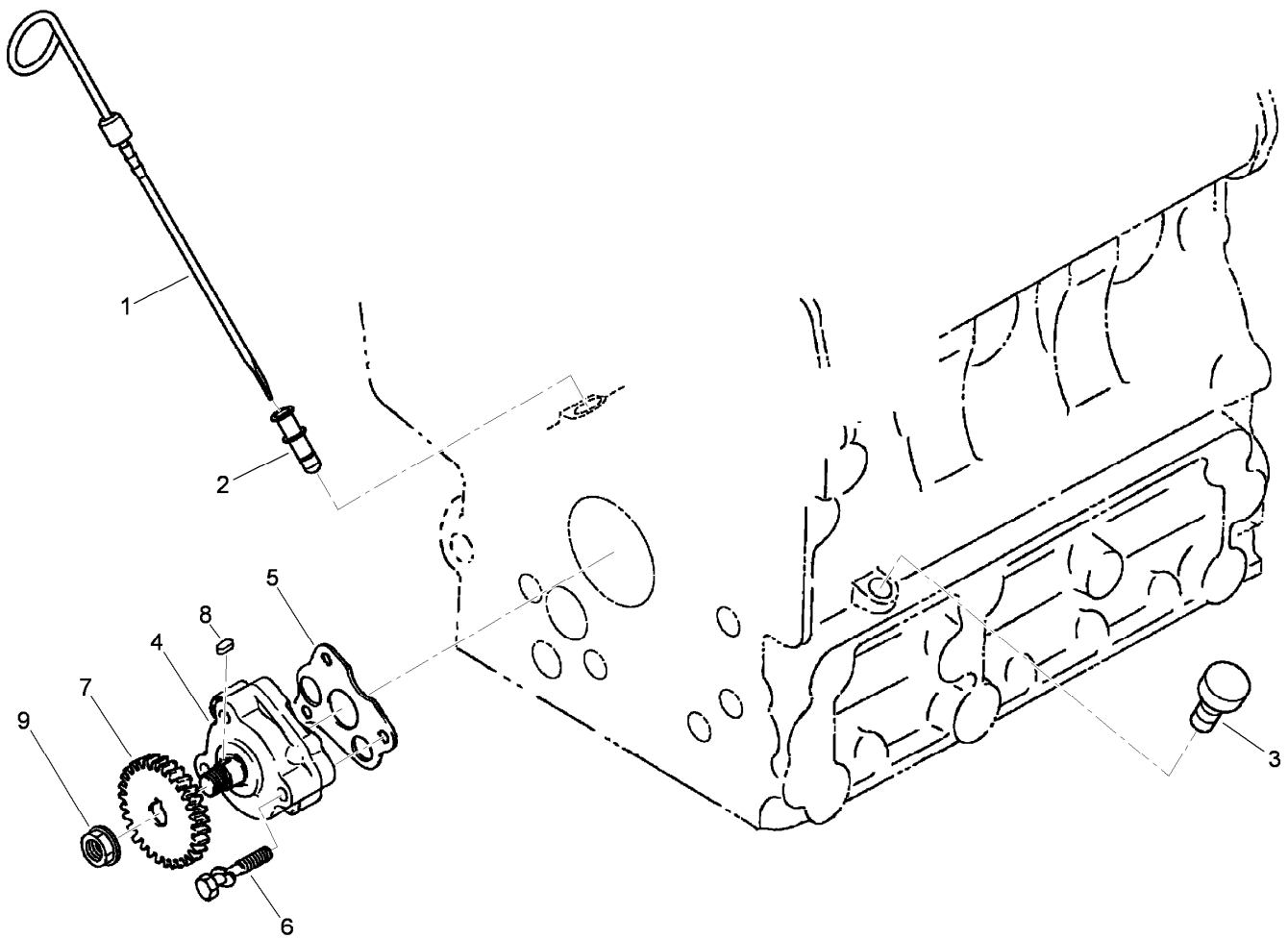
## Gear Case and Oil Filter Cartridge Assembly

<i>Ref.</i>	<i>Part Number</i>	<i>Qty.</i>	<i>Description</i>
1	112-8331	1	Case-Gear
2	98-7488	2	Plug
3	110-3708	1	Stay-Spring, Start
4	100-2040	2	Screw
5	98-9388	1	Joint-Pipe
6	100-1926	1	Washer-Plain
7	100-2004	1	Spring
8	100-1894	1	Seat-Valve
9	100-1792	1	Ball
10	117-0327	1	Gasket-Case, Gear
11	98-7605	1	Bolt
12	105-3797	9	Bolt
13	100-1922	2	Bolt
14	98-9357	2	Bolt
15	110-3710	1	Bolt
17	100-1971	1	Seal-Oil
18	100-1892	1	Cartridge-Filter, Oil



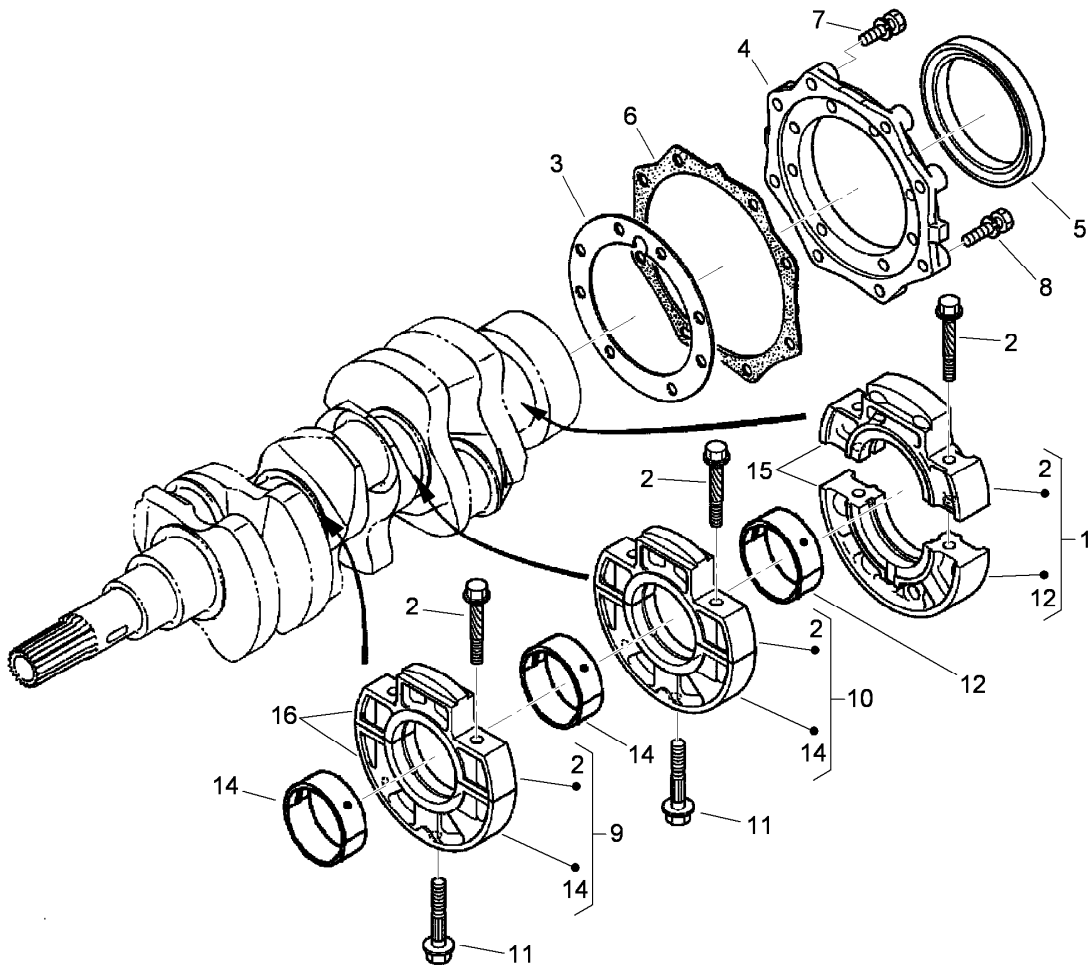
## Cylinder Head Cover Assembly

<i>Ref.</i>	<i>Part Number</i>	<i>Qty.</i>	<i>Description</i>
1	110-3711	1	Tube-Breather
2	110-3712	2	Clamp-Hose
3	112-8332	1	Cylinder Head Cover ASM
4	98-9580	1	Pipe-Return, Water
5	110-3714	1	Cover-Breather
6	110-3715	1	Valve-Breather
7	98-9364	4	Screw (With Washer)
10	112-2521	1	Gasket-Cover, Head
11	108-7063	6	Bolt
12	107-9075	1	Plug-Filler, Oil
13	99-3446	1	O-Ring
15	110-3843	1	Label-Instruction



## Dipstick, Guide and Oil Pump Assembly

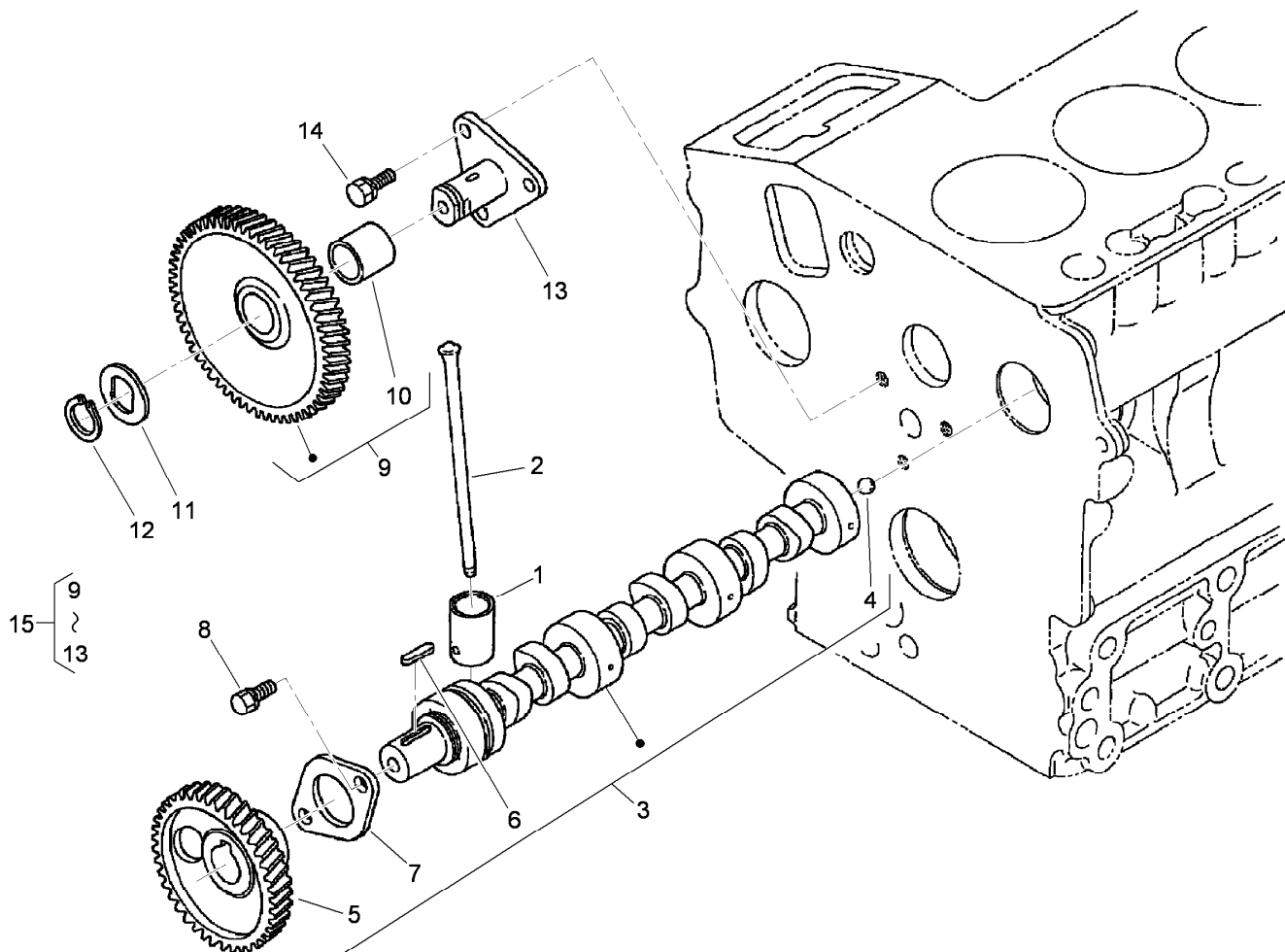
<i>Ref.</i>	<i>Part Number</i>	<i>Qty.</i>	<i>Description</i>
1	110-3719	1	Gauge-Oil
2	105-4580	1	Guide-Gauge, Oil
3	110-3720	1	Plug-Gauge, Oil
4	100-2002	1	Oil Pump ASM
5	100-2003	1	Gasket-Pump, Oil
6	100-1923	3	Bolt
7	100-1893	1	Gear-Drive, Oil Pump
8	98-7658	1	Key-Feather
9	100-1779	1	Nut-Flange



## Main Bearing Case Assembly

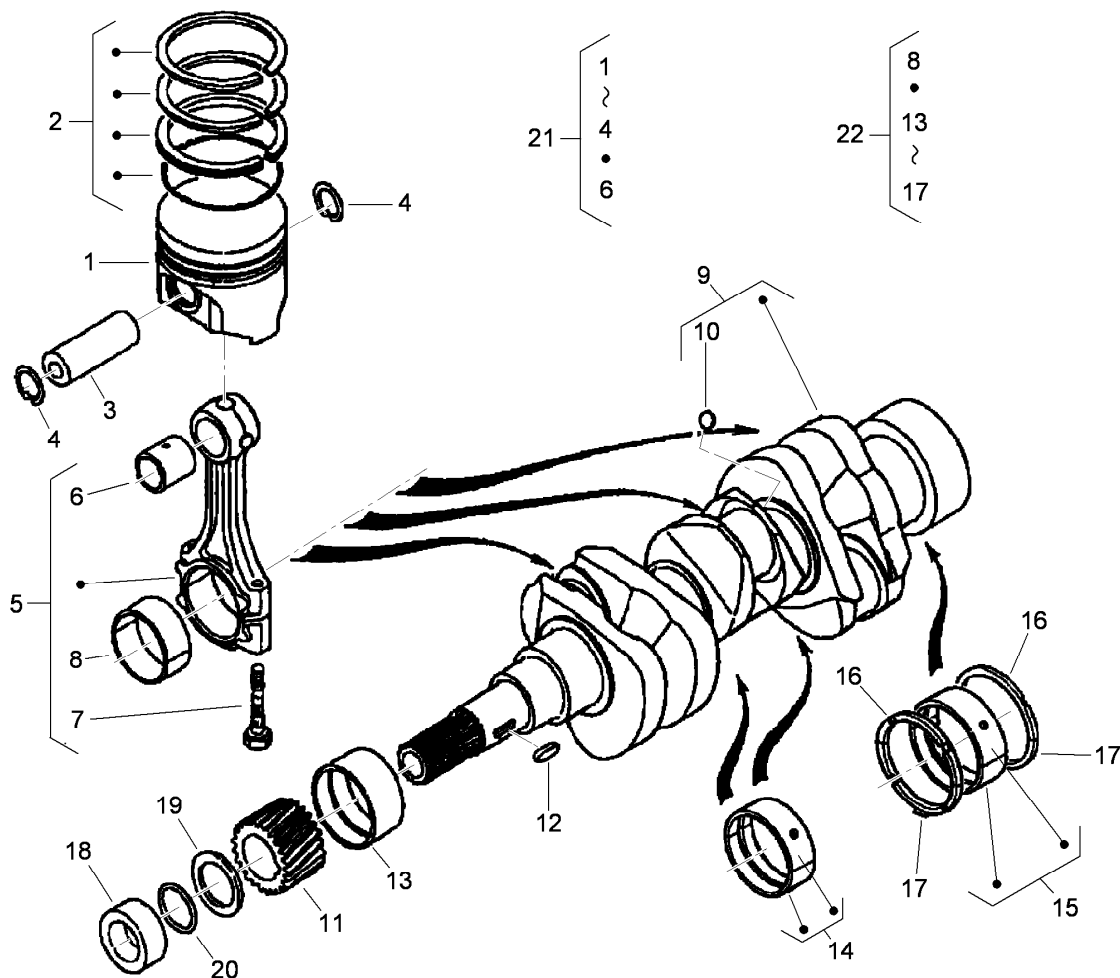
<i>Ref.</i>	<i>Part Number</i>	<i>Qty.</i>	<i>Description</i>
1	112-2494	1	Wheel Case Bearing ASM
2	110-3723	6	Bolt-Case, Bearing
3	117-0304	1	Gasket-Case, Bearing
4	112-8334	1	Cover-Case, Bearing
5	110-3724	1	Seal-Oil
6	100-1876	1	Gasket-Case, Bearing
7	98-7568	8	Bolt
8	100-1750	8	Bolt
9	112-2495	1	Main Case Bearing ASM
10	112-2496	1	Main Case Bearing ASM
11	100-1874	2	Bolt-Case, Bearing
12	110-3744	1	Crankshaft Metal ASM (STD)
12	110-3745	1	Crankshaft Metal ASM
12	110-3746	1	Crankshaft Metal ASM
14	110-3741	2	Crankshaft Metal ASM (STD)
14	110-3742	2	Crankshaft Metal ASM
14	110-3743	2	Crankshaft Metal ASM
15	110-3722	1	Main Bearing Case ASM
16	110-3725	1	Main Bearing Case ASM





## Cam Shaft and Idle Gear Assembly

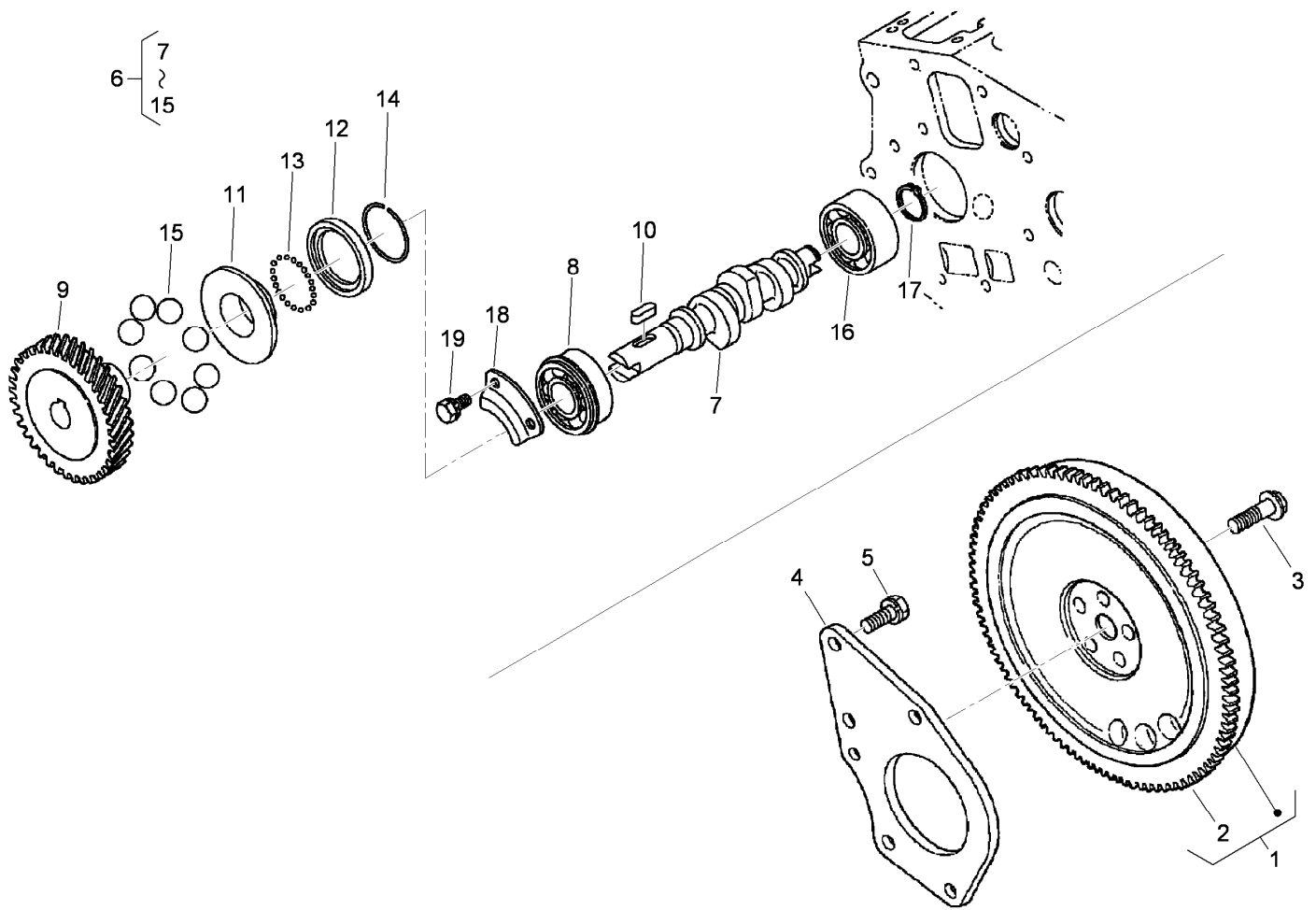
<i>Ref.</i>	<i>Part Number</i>	<i>Qty.</i>	<i>Description</i>
1	110-3727	6	Tappet
2	100-1989	6	Rod-Push
3	117-0305	1	Camshaft ASM
4	110-3729	1	Ball
5	100-2163	1	Gear-Cam
6	98-9378	1	Key-Feather
7	100-1887	1	Camshaft-Stopper
8	98-9350	2	Bolt
9	100-1966	1	Gear-Idle
10	100-1968	1	Bushing
11	100-1970	1	Collar-Gear, Idle
12	100-1969	1	Ring-Snap
13	100-1967	1	Shaft-Gear, Idle
14	98-9351	1	Bolt
15	100-2240	1	Idle Gear ASM



## Piston and Crankshaft Assembly

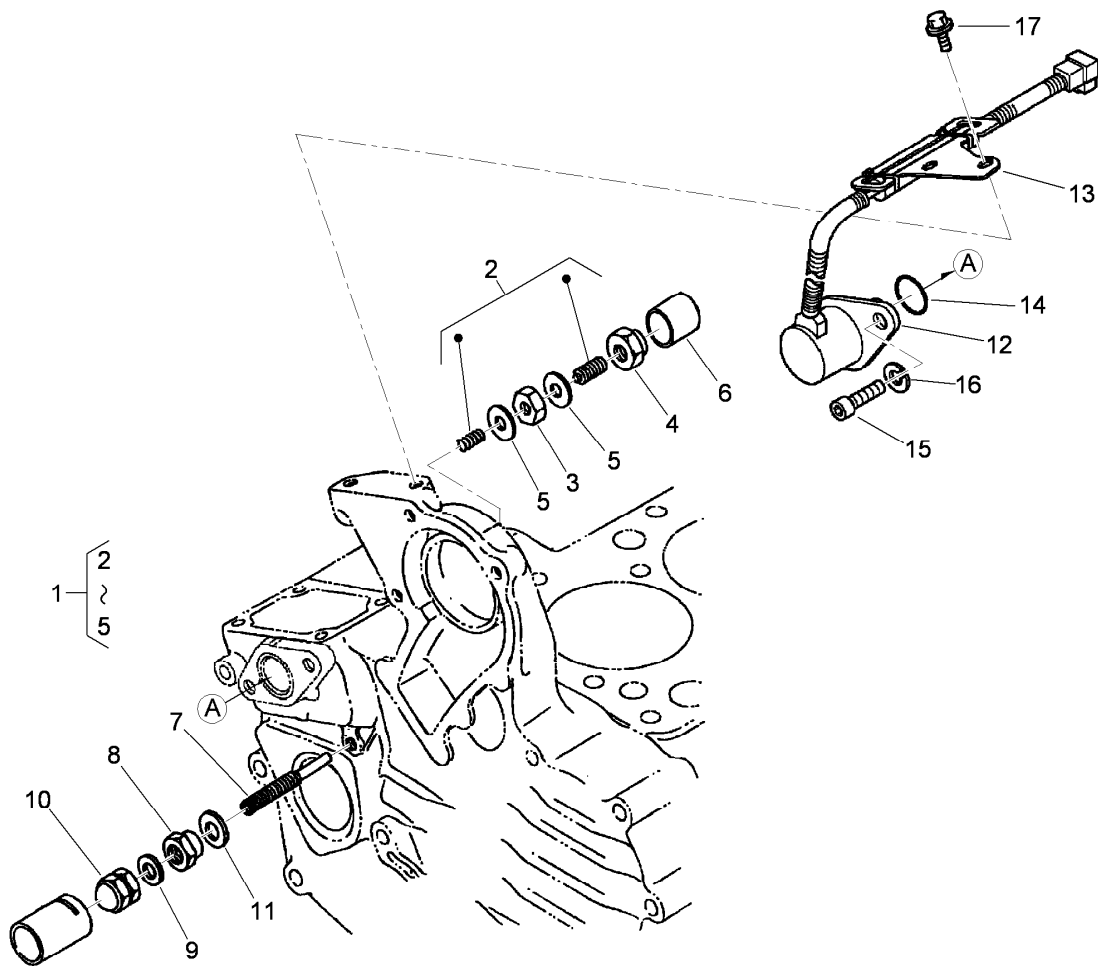
<i>Ref.</i>	<i>Part Number</i>	<i>Qty.</i>	<i>Description</i>
1	117-0306	3	Piston
1	117-0307	3	Piston
2	112-2501	3	Piston Ring ASM
2	112-2502	3	Piston Ring ASM
3	110-3734	3	Pin-Piston
4	100-1835	6	Clip-Pin, Piston
5	110-3735	3	Connecting Rod ASM
6	110-3736	3	Bushing-Pin, Piston
7	100-1999	6	Bolt-Rod, Connecting
8	100-1942	3	Crankpin-Metal
8	100-1943	3	Crankpin-Metal
8	100-2000	3	Metal-Crankpin
9	117-0308	1	Crankshaft
10	100-1791	3	Ball
11	100-1891	1	Gear-Crankshaft
12	100-1752	1	Key-Feather
13	110-3738	1	Metal-Crankshaft
13	110-3739	1	Metal-Crankshaft
13	110-3740	1	Metal-Crankshaft
14	110-3741	1	Crankshaft Metal ASM (STD)

<i>Ref.</i>	<i>Part Number</i>	<i>Qty.</i>	<i>Description</i>
14	110-3742	1	Crankshaft Metal ASM
14	110-3743	1	Crankshaft Metal ASM
15	110-3744	1	Crankshaft Metal ASM (STD)
15	110-3745	1	Crankshaft Metal ASM
15	110-3746	1	Crankshaft Metal ASM
16	100-1836	2	Metal-Side
16	100-1838	2	Metal-Side
16	100-1839	2	Metal-Side
17	117-0309	2	Metal, Side
17	117-0310	2	Metal, Side
17	117-0311	2	Metal, Side
18	100-1890	1	Collar-Crankshaft
19	100-1974	1	Slinger-Oil
20	100-2209	1	O-Ring
21	117-0328	3	Piston Kit
21	117-0329	3	Piston Kit
22	110-3749	1	Engine Metal Kit
22	110-3750	1	Engine Metal Kit
22	110-3751	1	Engine Metal Kit



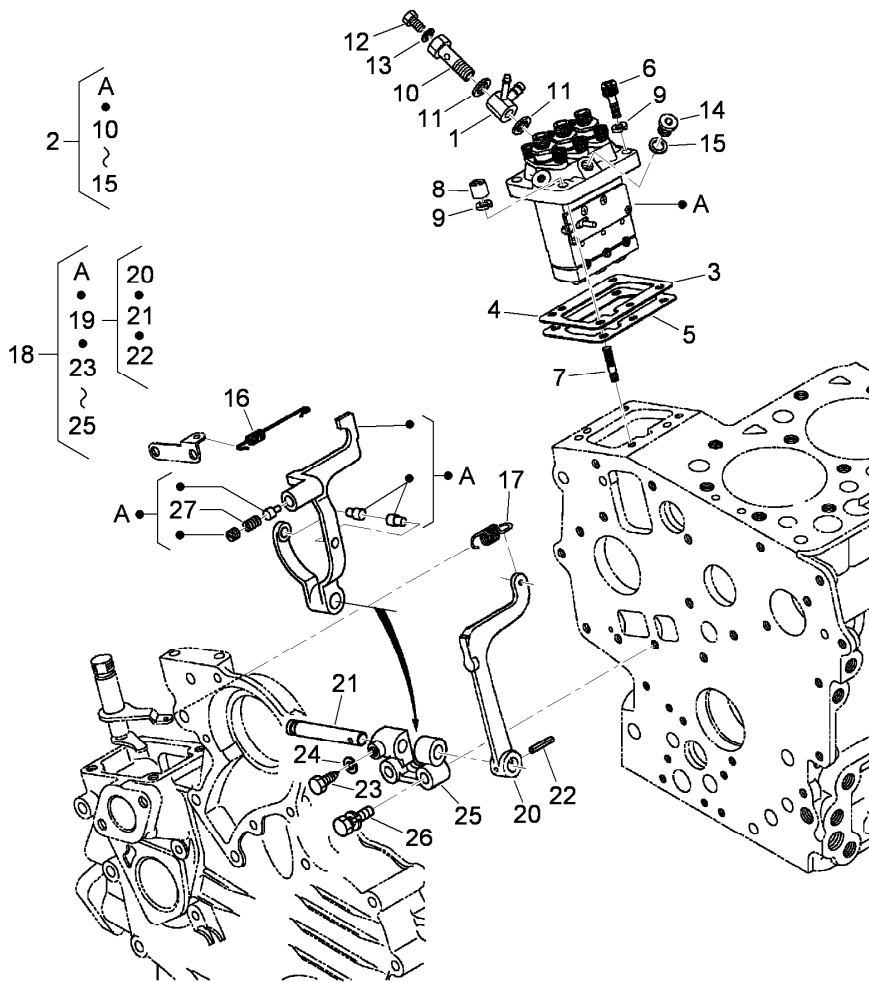
## Flywheel and Fuel Camshaft Assembly

Ref.	Part Number	Qty.	Description
1	110-3752	1	Flywheel
2	112-2816	1	Gear-Ring
3	100-1930	5	Bolt-Flywheel
4	117-0323	1	Plate-End, Rear
5	110-3754	3	Bolt
6	112-8335	1	Fuel Camshaft ASM
7	110-3756	1	Camshaft-Fuel
8	100-1795	1	Bearing-Ball
9	100-2006	1	Gear-Pump, Injection
10	100-1752	1	Key-Feather
11	112-8336	1	Sleeve-Governor
12	100-1904	1	Case-Ball, Governor
13	100-1790	32	Ball
14	100-1843	1	Clip-Sleeve, Governor
15	100-1793	8	Ball
16	110-3757	1	Bearing-Ball
17	100-1784	1	Clip-External
18	100-1888	1	Stopper-Fuel, Camshaft
19	98-9350	2	Bolt



## Idle Apparatus and Stop Solenoid Assembly

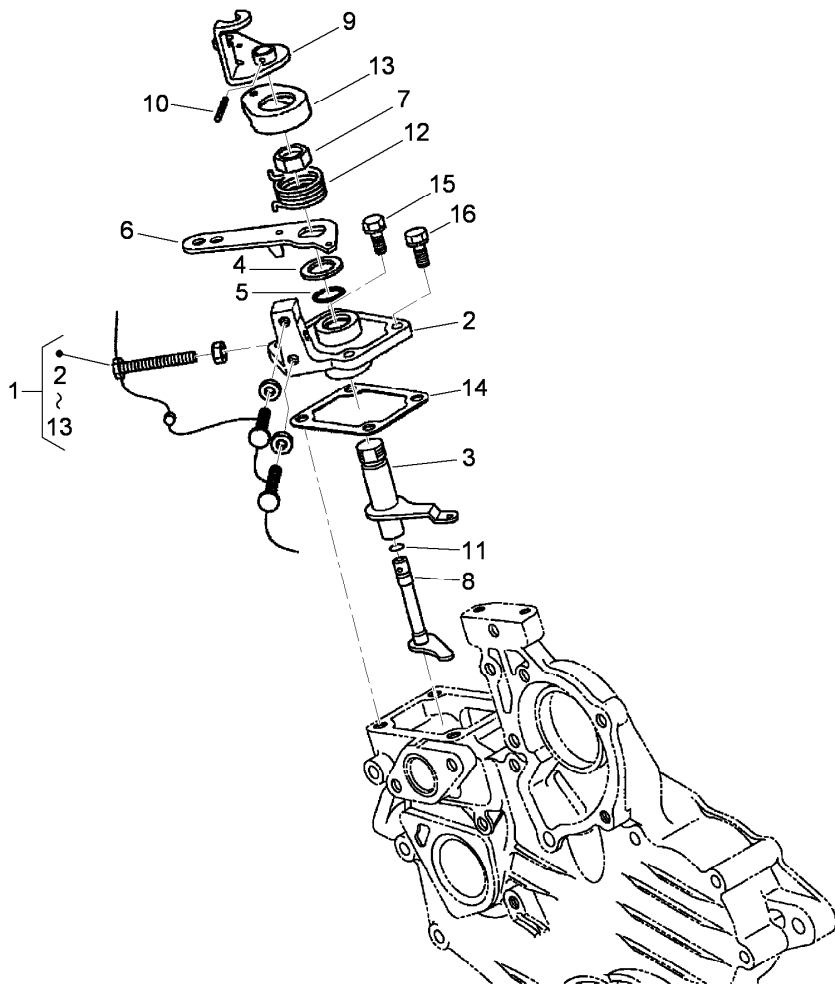
Ref.	Part Number	Qty.	Description
1	100-1898	1	Idle Apparatus ASM
2	100-1899	1	Adjusting Bolt ASM
3	100-1846	1	Nut
4	100-1901	1	Nut-Cap
5	98-7428	2	Gasket
6	100-1902	1	Cap
7	110-3758	1	Bolt-Adjusting
8	100-2175	1	Nut-Lock
9	98-7654	1	Gasket
10	99-8387	1	Nut-Cap
11	107-9081	1	Gasket
12	110-3760	1	Solenoid-Stop
13	110-3761	1	Stay-Commander, Coil
14	110-3762	1	O-Ring
15	110-3763	2	Bolt-HSH
16	98-7699	2	Washer-Spring
17	100-1774	2	Bolt-Flange



## Injection Pump and Governor Assembly

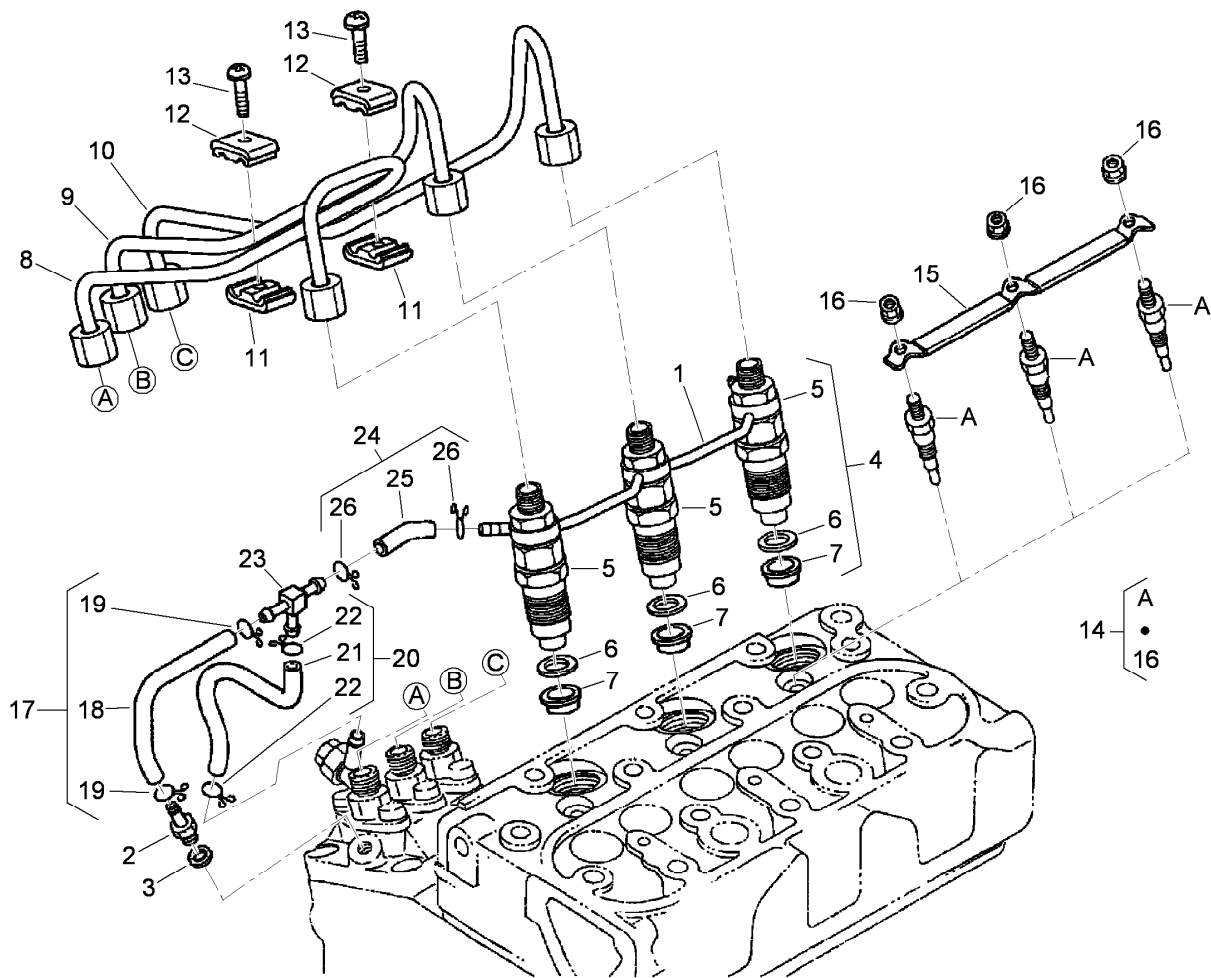
<i>Ref.</i>	<i>Part Number</i>	<i>Qty.</i>	<i>Description</i>
1	110-3764	1	Joint
2	110-3765	1	Injection Pump ASM
3	98-9456	1	Shim-Injection (0.20Mm)
4	115-3045	1	Shim-Injection (0.175Mm)
5	115-3046	1	Shim-Injection (0.35Mm)
6	98-9361	2	Bolt-HSH
7	98-9438	2	Stud
8	98-9440	2	Nut-Cap
9	98-7699	4	Washer-Spring
10	100-1896	1	Screw-Hollow
11	98-9445	2	Gasket
12	98-9430	1	Screw
13	98-9446	1	Gasket
14	98-9466	1	Plug

<i>Ref.</i>	<i>Part Number</i>	<i>Qty.</i>	<i>Description</i>
15	98-9451	1	Gasket
16	110-3766	1	Spring-Start
17	110-3767	1	Spring-Governor
18	112-8337	1	Fork Lever ASM
19	100-1905	1	Fork Lever ASM
20	100-1907	1	Lever-Fork
21	100-1908	1	Shaft-Lever, Fork
22	100-1751	1	Pin-Spring
23	100-1845	1	Bolt
24	100-2204	1	Washer-Spring
25	100-1909	1	Holder-Lever, Fork
26	100-1763	2	Bolt
27	117-0313	1	Spring



## Speed Control Plate Assembly

<i>Ref.</i>	<i>Part Number</i>	<i>Qty.</i>	<i>Description</i>
1	110-3769	1	Speed Control Plate ASM
2	110-3770	1	Plate-Control, Speed
3	110-3771	1	Lever-Governor
4	110-3772	1	Collar
5	100-2208	1	O-Ring
6	110-3773	1	Lever-Control, Speed
7	110-3774	1	Nut-Control, Speed
8	110-3775	1	Shaft-Lever
9	110-3776	1	Lever-Stop, Engine
10	110-3777	1	Pin-Spring
11	100-2207	1	O-Ring
12	110-3778	1	Spring-Return
13	110-3779	1	Cap
14	100-1962	1	Gasket-Plate, Control
15	98-7605	2	Bolt
16	112-2507	2	Bolt

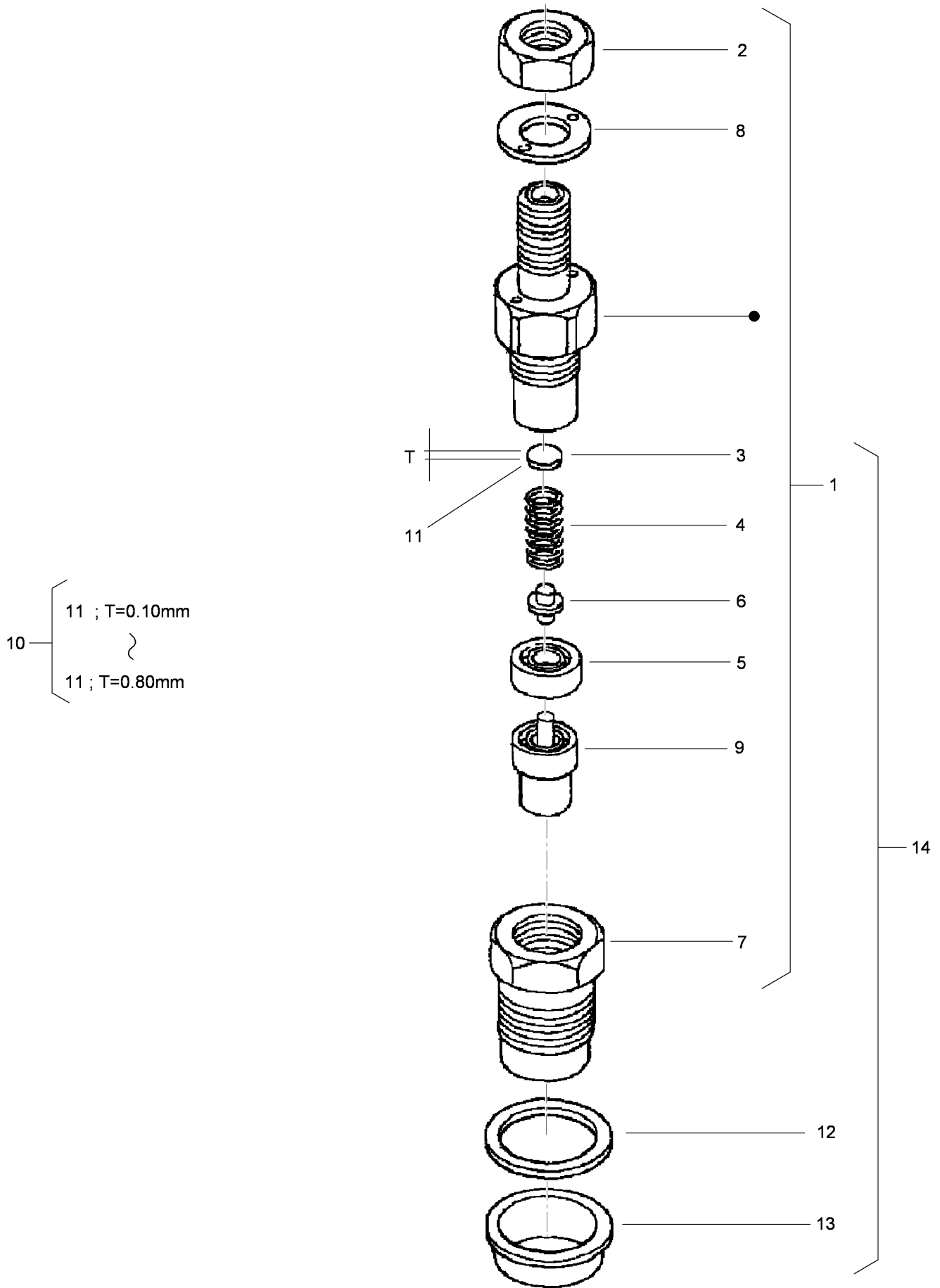


## Nozzle Holder and Glow Plug Assembly

Ref.	Part Number	Qty.	Description
1	110-3780	1	Over Flow Pipe ASM
2	98-9431	1	Screw-Bleeder, Air
3	98-7654	1	Gasket
4	100-1982	3	Nozzle Holder Kit
5	100-1758	3	Nozzle Holder ASM
6	98-7676	3	Gasket
7	98-7677	3	Seal-Heat
8	110-3781	1	Pipe-Injection
9	110-3782	1	Pipe-Injection
10	110-3783	1	Pipe-Injection
11	98-7682	2	Clamp-Pipe
12	98-7683	2	Clamp-Pipe
13	98-7684	2	Screw (W/Washer)

Ref.	Part Number	Qty.	Description
14	98-7685	3	Plug-Glow
15	110-3784	1	Cord-Plug, Glow
16	99-8377	3	Nut-Flange
17	110-3785	1	Fuel Tube ASM
18	110-3786	1	Tube-Fuel
19	98-7671	4	Clip-Pipe
20	110-3787	1	Fuel Tube ASM
21	110-3788	1	Tube-Fuel
22	98-7671	2	Clip-Pipe
23	112-8338	1	Pipe-Joint, T
24	110-3790	1	Fuel Tube ASM
25	110-3791	1	Tube-Fuel
26	100-2217	2	Clip-Pipe

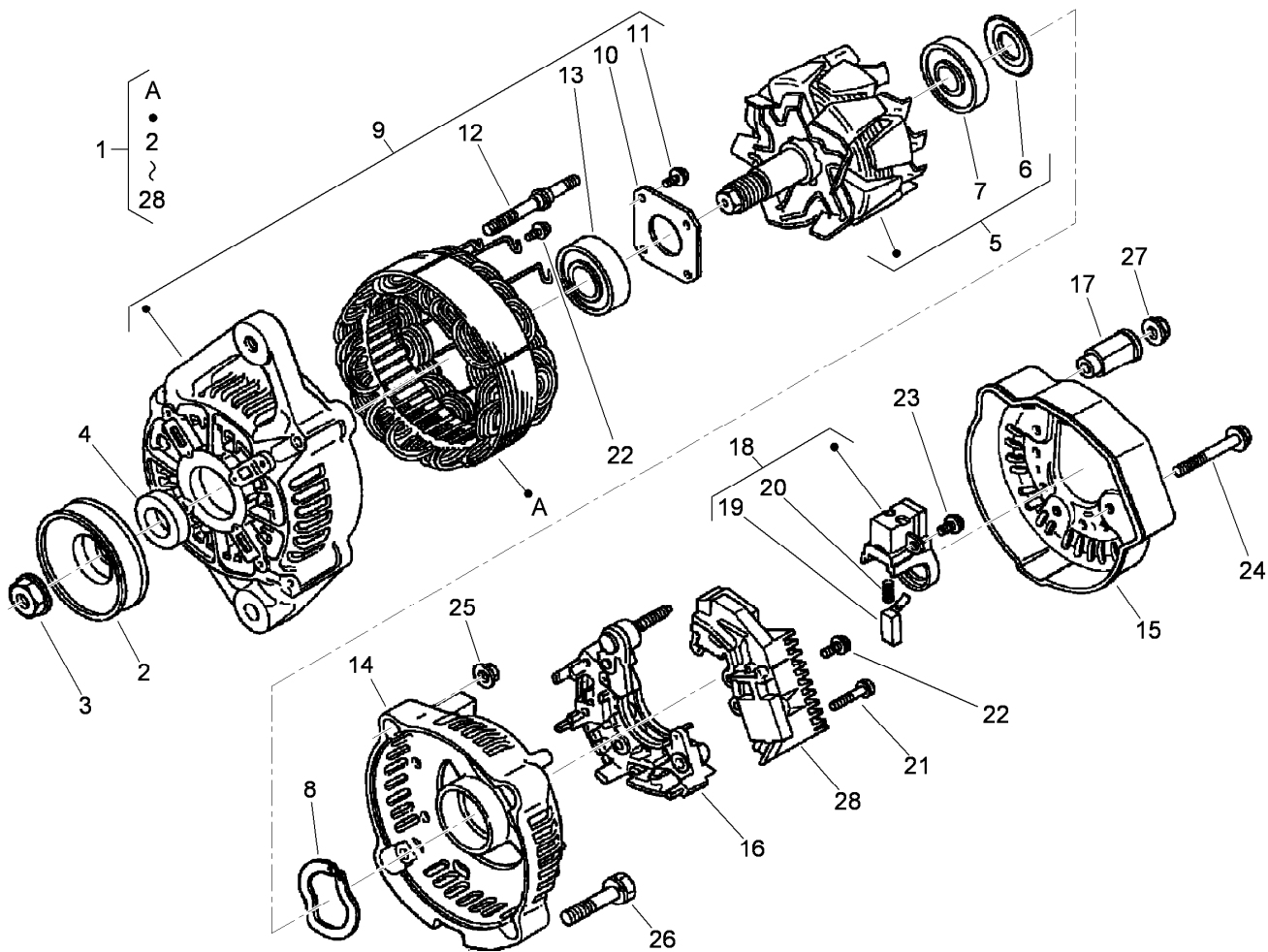
# Nozzle Holder Assembly





## Nozzle Holder Assembly (continued)

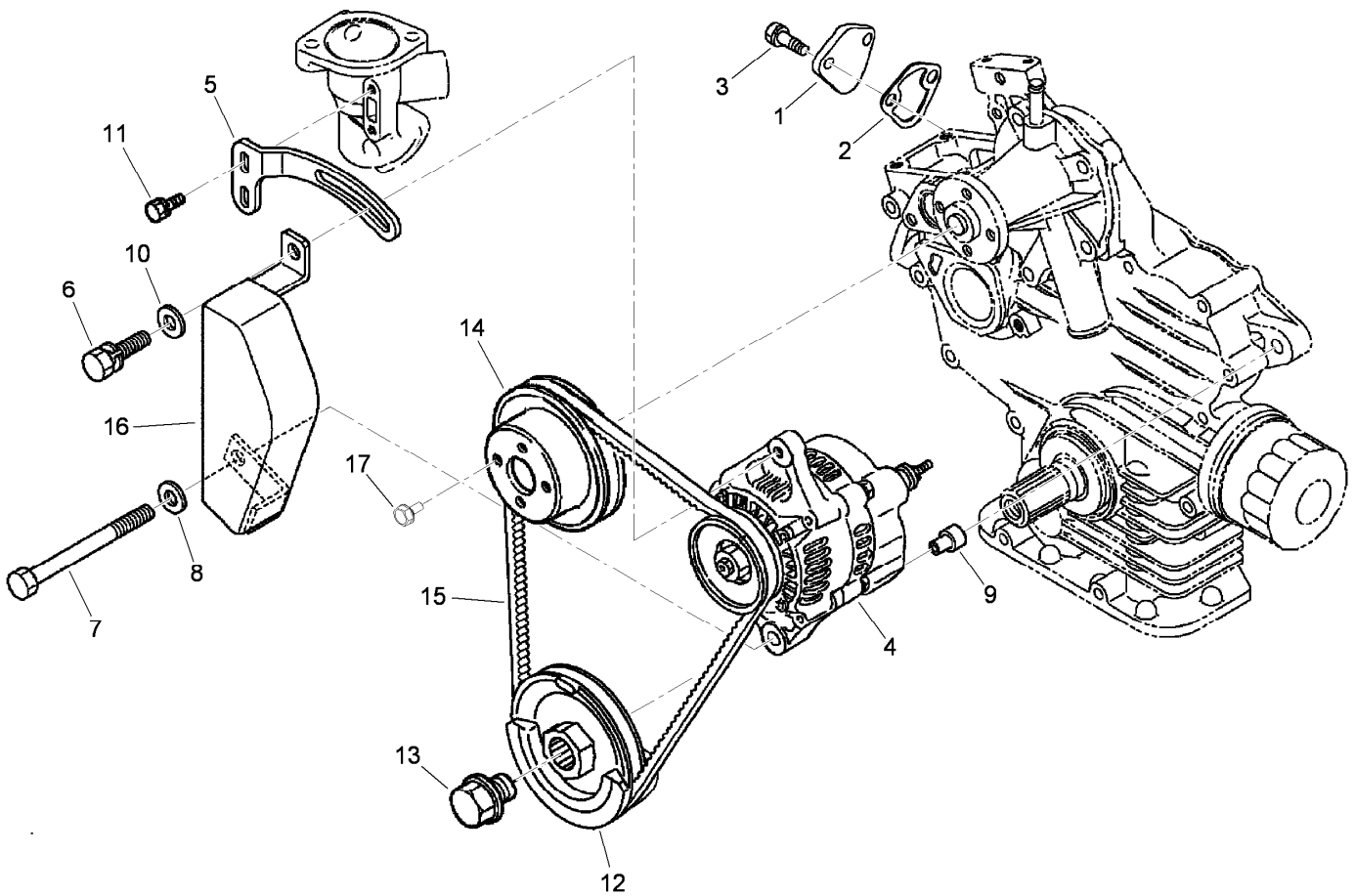
<i>Ref.</i>	<i>Part Number</i>	<i>Qty.</i>	<i>Description</i>	<i>Ref.</i>	<i>Part Number</i>	<i>Qty.</i>	<i>Description</i>
1	100-1758	3	Nozzle Holder ASM	11	98-7858	3	Washer-Adjusting
2	98-7613	3	Nut	11	98-7859	3	Washer-Adjusting
3	98-7642	3	Washer-Adjusting	11	98-7860	3	Washer-Adjusting
4	98-7647	3	Spring-Nozzle	11	98-7861	3	Washer-Adjusting
5	98-7665	3	Spacer-Distance	11	98-7862	3	Washer-Adjusting
6	98-7666	3	Rod-Push	11	98-7863	3	Washer-Adjusting
7	100-2008	3	Nut-Nozzle	11	98-7864	3	Washer-Adjusting
8	98-7668	3	Washer	11	98-7865	3	Washer-Adjusting
9	100-2009	3	Piece-Nozzle	11	98-7866	3	Washer-Adjusting
10	98-9448	3	Adjusting Washer ASM	11	98-7867	3	Washer-Adjusting
11	98-7642	3	Washer-Adjusting	11	98-7868	3	Washer-Adjusting
11	98-7841	3	Washer-Adjusting	11	98-7869	3	Washer-Adjusting
11	98-7842	3	Washer-Adjusting	11	98-7870	3	Washer-Adjusting
11	98-7843	3	Washer-Adjusting	11	98-7871	3	Washer-Adjusting
11	98-7844	3	Washer-Adjusting	11	98-7872	3	Washer-Adjusting
11	98-7845	3	Washer-Adjusting	11	98-7873	3	Washer-Adjusting
11	98-7846	3	Washer-Adjusting	11	98-7874	3	Washer-Adjusting
11	98-7847	3	Washer-Adjusting	11	98-7875	3	Washer-Adjusting
11	98-7848	3	Washer-Adjusting	11	98-7876	3	Washer-Adjusting
11	98-7849	3	Washer-Adjusting	11	98-7877	3	Washer-Adjusting
11	98-7850	3	Washer-Adjusting	11	98-7878	3	Washer-Adjusting
11	98-7851	3	Washer-Adjusting	11	98-7879	3	Washer-Adjusting
11	98-7852	3	Washer-Adjusting	11	98-7880	3	Washer-Adjusting
11	98-7853	3	Washer-Adjusting	11	98-7881	3	Washer-Adjusting
11	98-7854	3	Washer-Adjusting	11	98-7882	3	Washer-Adjusting
11	98-7855	3	Washer-Adjusting	12	98-7676	3	Gasket
11	98-7856	3	Washer-Adjusting	13	98-7677	3	Seal-Heat
11	98-7857	3	Washer-Adjusting	14	100-1982	3	Nozzle Holder Kit



## Alternator Components Assembly

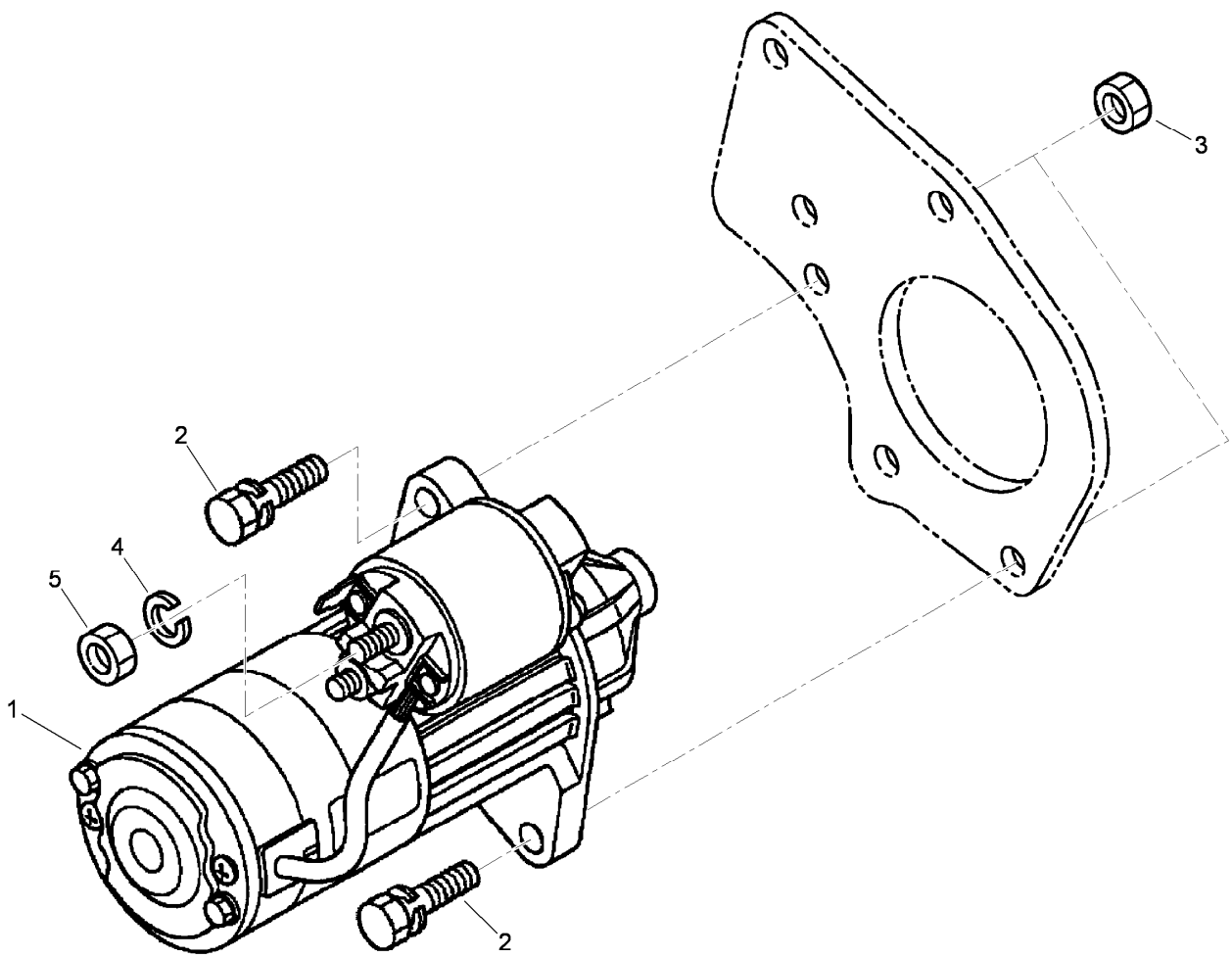
Ref.	Part Number	Qty.	Description
1	98-9474	1	Alternator ASM
2	98-9453	1	Pulley-Dynamo
3	98-7708	1	Nut
4	98-7709	1	Collar
5	107-0136	1	Rotor ASM
6	98-7711	1	Cover-Bearing
7	107-0138	1	Bearing-Ball
8	98-7713	1	Washer-Thrust
9	107-0139	1	Drive End Frame ASM
10	98-7715	1	Plate-Retainer
11	98-7716	4	Screw-Head, Round
12	98-7717	2	Bolt-Through
13	107-0137	1	Bearing-Ball
14	107-9087	1	Frame-End

Ref.	Part Number	Qty.	Description
15	107-0140	1	Cover-End
16	98-7721	1	Rectifier ASM
17	98-7722	1	Bushing-Insulation
18	107-0141	1	Brush Holder ASM
19	98-7724	2	Brush
20	98-7725	2	Spring-Brush
21	98-7726	2	Screw-Head, Round
22	98-7727	6	Screw-Head, Round
23	98-7728	1	Screw-Head, Round
24	98-7729	3	Bolt
25	98-7730	2	Nut
26	98-7731	2	Bolt
27	98-7732	1	Nut
28	110-3799	1	Regulator ASM



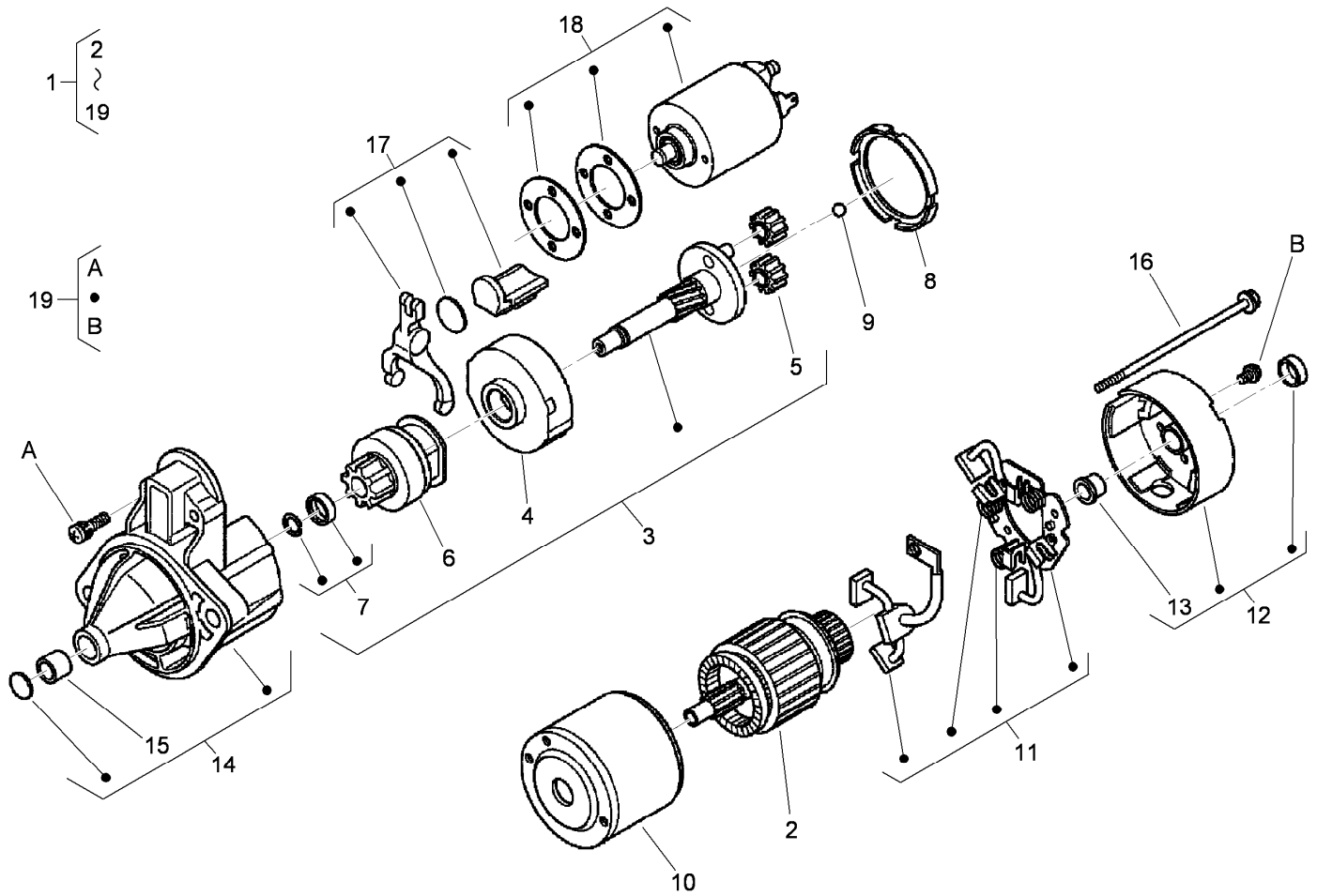
## Alternator, Pulley and Fuel Pump Cover Assembly

Ref.	Part Number	Qty.	Description
1	99-3514	1	Cover
2	98-9636	1	Gasket-Pump, Fuel
3	98-7692	2	Bolt
4	98-9474	1	Alternator ASM
5	110-3792	1	Stay-Alternator
6	98-7697	1	Bolt
7	110-3793	1	Bolt
8	98-7660	1	Washer-Plain
9	110-3794	1	Collar
10	100-9233	1	Washer-Plain
11	98-7605	2	Bolt
12	110-3795	1	Pulley-Drive, Fan
13	100-1978	1	Bolt
14	100-1921	1	Pulley-Fan
15	110-3796	1	Belt-V
16	110-3797	1	Cover
17	99-8363	4	Bolt-Flange



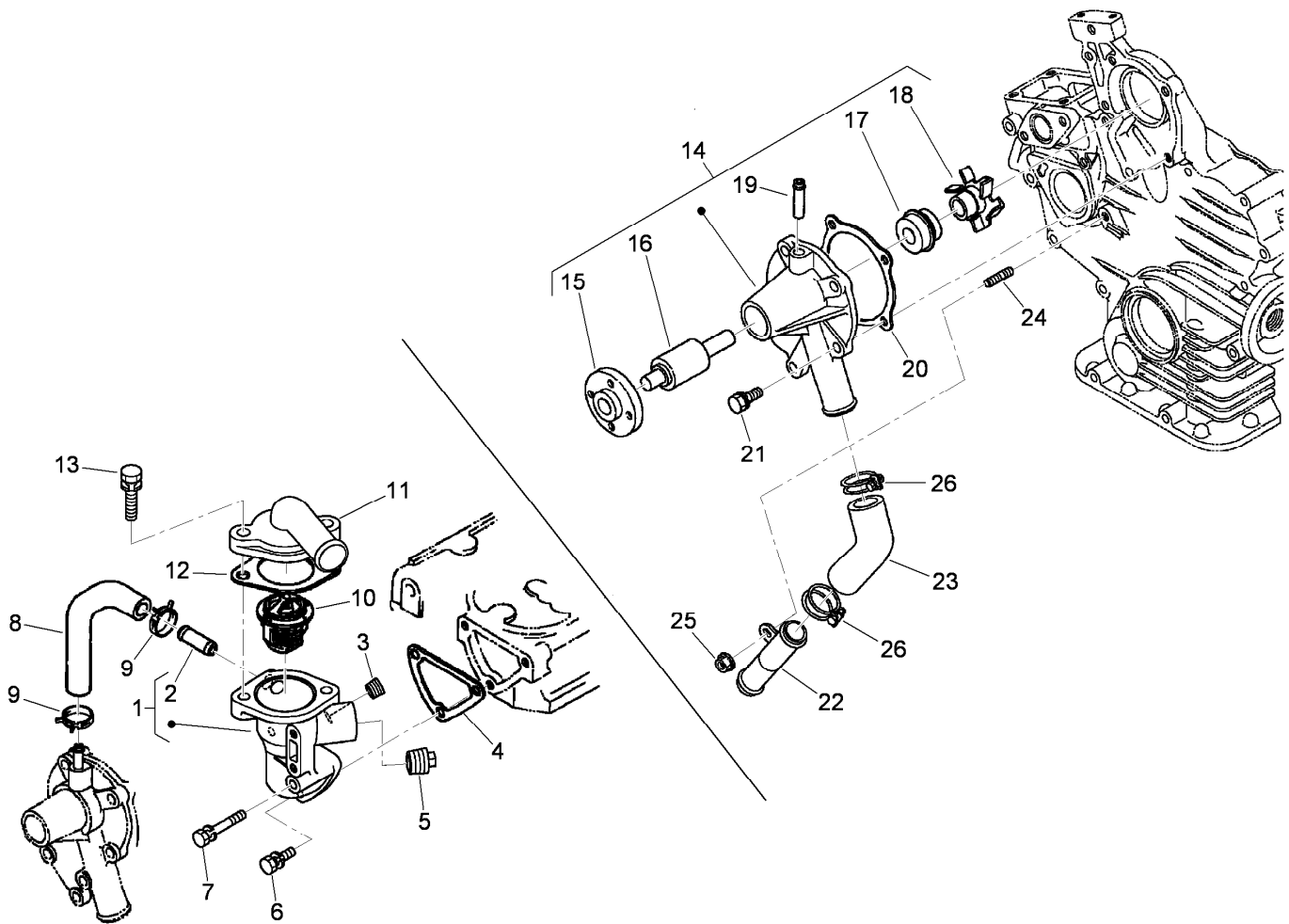
## Starter Assembly

<i>Ref.</i>	<i>Part Number</i>	<i>Qty.</i>	<i>Description</i>
1	110-3800	1	Starter ASM
2	100-1770	2	Bolt
3	98-7661	2	Nut
4	98-7535	1	Washer-Spring
5	98-7534	1	Nut



## Starter Components Assembly

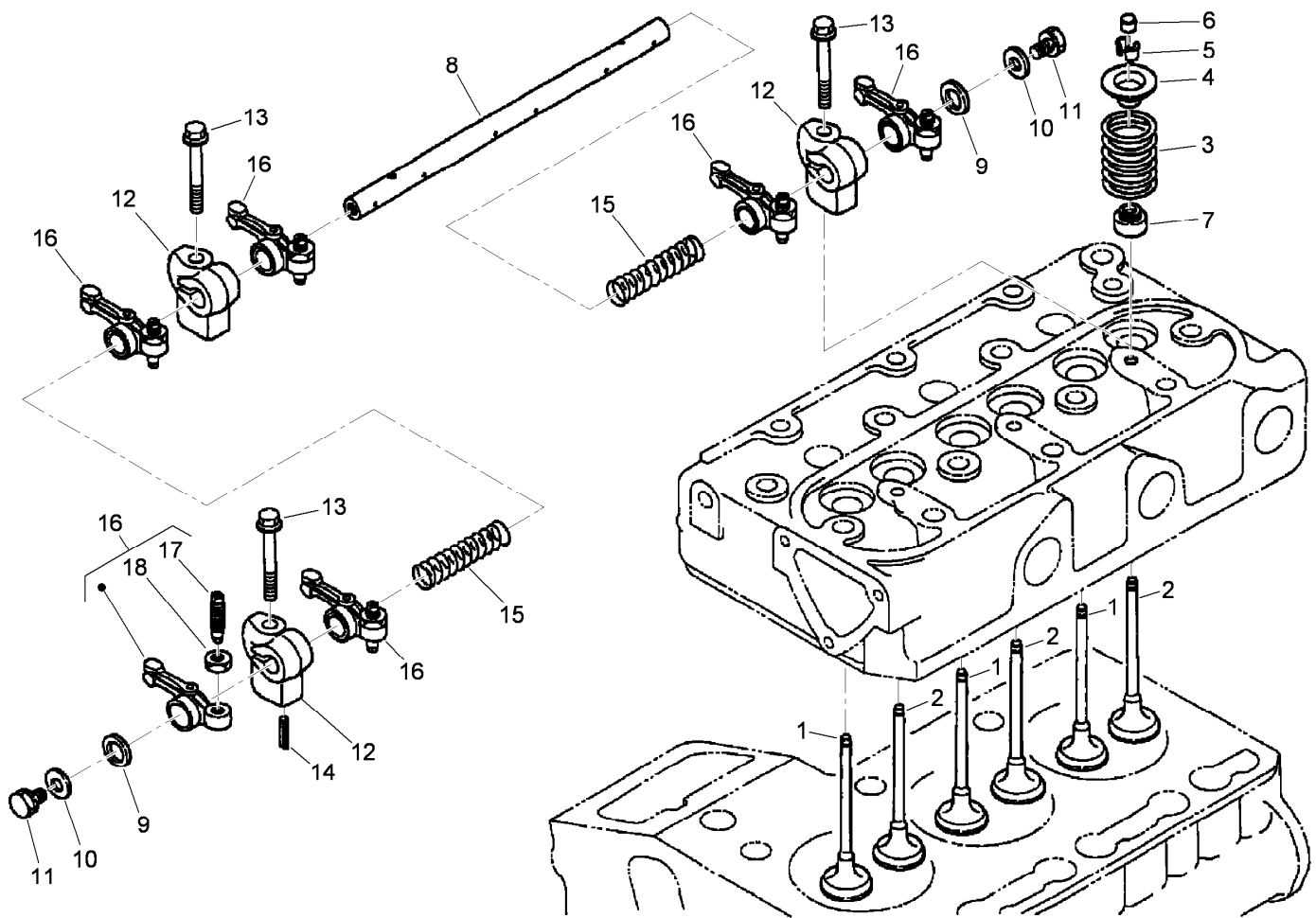
<i>Ref.</i>	<i>Part Number</i>	<i>Qty.</i>	<i>Description</i>
1	110-3800	1	Starter ASM
2	110-3801	1	Armature
3	110-3802	1	Shaft ASM
4	110-3803	1	Gear-Internal
5	110-3804	3	Gear-Planetary
6	110-3805	1	Clutch-Running, Over
7	110-3806	1	Stopper
8	110-3807	1	Gasket
9	110-3808	1	Ball
10	110-3809	1	Yoke
11	110-3810	1	Brush Holder ASM
12	110-3811	1	Rear Bracket ASM
13	110-3812	1	Bushing
14	110-3813	1	Front Bracket ASM
15	110-3814	1	Bushing
16	110-3815	2	Bolt
17	110-3816	1	Fork Lever ASM
18	110-3817	1	Magnetic Switch ASM
19	110-3818	1	Screws (Set Of 4)



## Water Flange and Thermostat Assembly

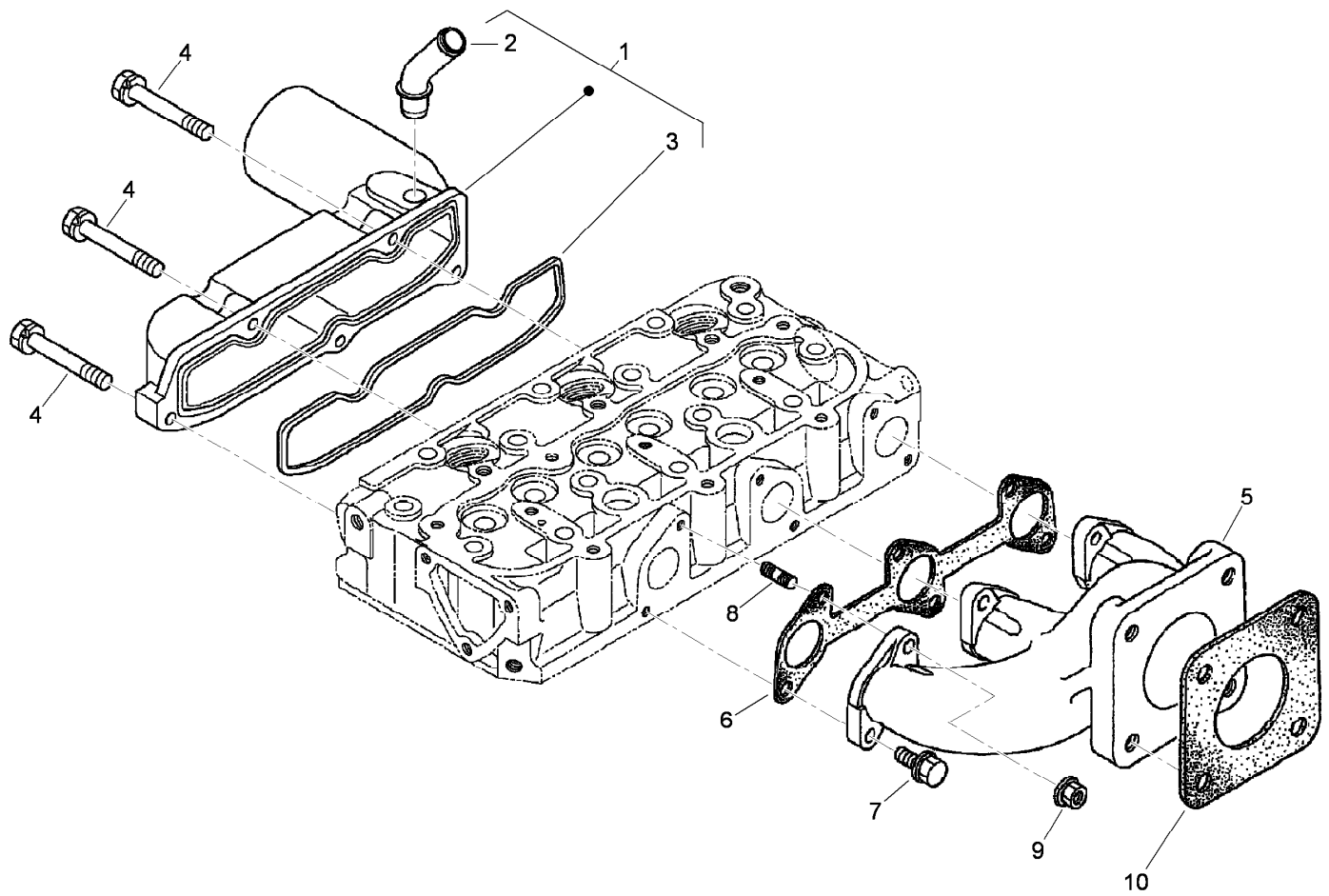
<i>Ref.</i>	<i>Part Number</i>	<i>Qty.</i>	<i>Description</i>
1	110-3819	1	Flange-Water
2	98-9580	1	Pipe-Return, Water
3	98-9444	1	Plug
4	110-3820	1	Gasket-Flange, Water
5	110-3821	1	Plug
6	98-7692	2	Bolt
7	105-3797	1	Bolt
8	110-3822	1	Pipe-Return, Water
9	98-9579	2	Band-Pipe
10	98-7778	1	Thermostat ASM
11	110-3823	1	Cover-Thermostat
12	105-3748	1	Gasket-Thermostat
13	98-7777	2	Bolt

<i>Ref.</i>	<i>Part Number</i>	<i>Qty.</i>	<i>Description</i>
14	110-3824	1	Water Pump ASM
15	100-1933	1	Flange-Pump, Water
16	100-1934	1	Bearing-Ball
17	99-3518	1	Water Pump Seal ASM
18	110-3825	1	Impeller-Pump, Water
19	100-1932	1	Pipe-Return, Water
20	117-0330	1	Gasket-Pump, Water
21	100-1750	4	Bolt
22	100-1918	1	Pipe-Water
23	110-3827	1	Pipe-Water
24	100-1924	1	Stud
25	100-2203	1	Nut-Flange
26	110-3828	2	Band-Pipe



## Valve and Rocker Arm Assembly

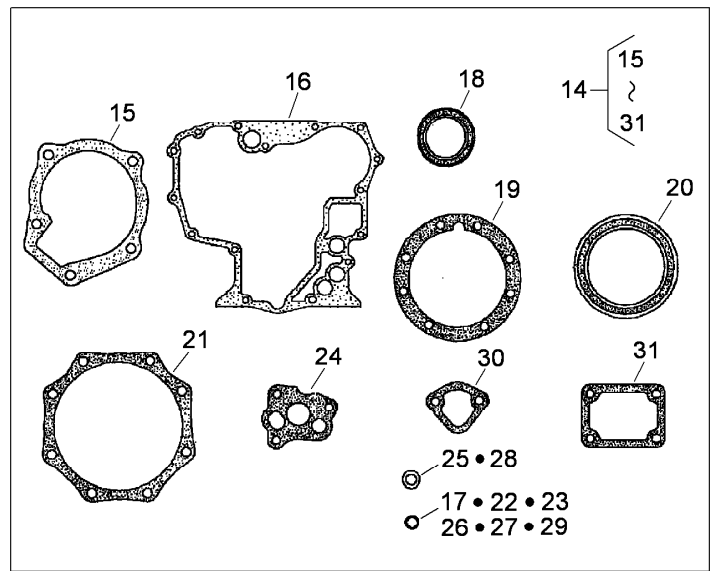
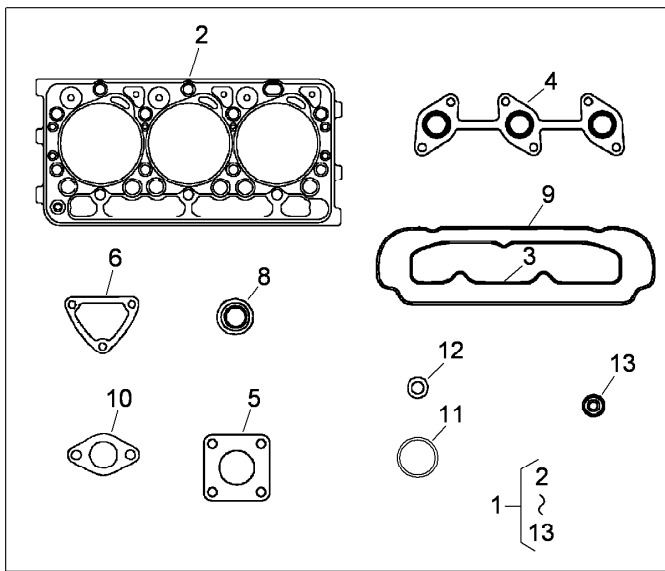
Ref.	Part Number	Qty.	Description
1	112-2514	3	Valve-Inlet
2	112-2515	3	Valve-Exhaust
3	100-1823	6	Spring-Valve
4	100-1825	6	Retainer-Spring, Valve
5	100-1826	6	Collet-Spring, Valve
6	100-2155	6	Cap-Valve
7	100-1797	6	Seal-Stem, Valve
8	112-8341	1	Shaft-Arm, Rocker
9	100-2044	2	Washer
10	110-3832	2	Washer-Plain
11	100-1762	2	Bolt
12	110-3833	3	Bracket-Arm, Rocker
13	110-3834	3	Bolt-Flange
14	98-7602	1	Pin-Spring
15	112-8342	2	Spring
16	100-1884	6	Rocker Arm ASM
17	100-1885	6	Screw-Adjusting
18	100-1827	6	Nut



## Inlet and Exhaust Manifold Assembly

<i>Ref.</i>	<i>Part Number</i>	<i>Qty.</i>	<i>Description</i>
1	110-3836	1	Inlet Manifold ASM
2	110-3837	1	Pipe-Breather
3	110-3838	1	Gasket-Manifold, Intake
4	98-9352	5	Bolt
5	110-3839	1	Manifold-Exhaust
6	110-3840	1	Gasket-Manifold, Exhaust
7	100-1775	3	Bolt
8	100-2202	3	Stud
9	100-1778	3	Nut
10	99-8343	1	Gasket-Muffler





## Upper and Lower Gasket Kits

Ref.	Part Number	Qty.	Description
1	112-2518	1	Upper Gasket Kit
2	112-2520	1	Gasket-Head, Cylinder
3	110-3838	1	Gasket-Manifold, Intake
4	110-3840	1	Gasket-Manifold, Exhaust
5	99-8343	1	Gasket-Muffler
6	110-3820	1	Gasket-Flange, Water
8	100-1797	6	Seal-Stem, Valve
9	112-2521	1	Gasket-Cover, Head
10	105-3748	1	Gasket-Thermostat
11	99-3446	1	O-Ring
12	98-7676	3	Gasket
13	98-7677	3	Seal-Heat
14	117-0331	1	Lower Gasket Kit
15	117-0330	1	Gasket-Pump, Water
16	117-0327	1	Gasket-Case, Gear

Ref.	Part Number	Qty.	Description
17	110-3762	1	O-Ring
18	100-1971	1	Seal-Oil
19	100-1873	1	Gasket-Case, Bearing
20	110-3724	1	Seal-Oil
21	100-1876	1	Gasket-Case, Bearing
22	100-2206	3	O-Ring
23	100-2209	1	O-Ring
24	100-2003	3	Gasket-Pump, Oil
25	98-7654	3	Gasket
26	100-2208	1	O-Ring
27	100-2207	1	O-Ring
28	110-9715	3	Gasket-Pan, Oil
29	105-3776	1	O-Ring
30	98-9636	1	Gasket-Pump, Fuel
31	100-1962	1	Gasket-Plate, Control

# Attachments and Accessories

## For 74264TE Z580-D Z Master With 132cm TURBO FORCE Side Discharge Mower

<b>Product Name</b>	<b>Model/Part</b>
Blade-Recycler, 18 inch .....	105-7779-03
Blade-Hi Flow, 18 Inch .....	105-7781-03
Blade-Med Flow, 18 inch.....	105-7794-03
Blade-Low Flow, 18 inch .....	105-7795-03
Blade-Atomic, 18 inch.....	105-7796-03
Recycler Kit .....	107-1610
Striping Kit .....	107-1630
Turbo Baffle Kit .....	107-1634
Light Kit.....	107-9880
Blade-Hi Flow, 18 inch (6 Pack) .....	108-1117
Blade-Atomic, 18 inch (6 Pack).....	108-1118
Roller Striping Kit .....	108-2162
Blade-Lo Flow, 18 inch (6 Pack) .....	110-0406
Blade-Recycler, 18 inch (6 Pack).....	110-0408
Blade-Med Flow, 18 inch (6 Pack) .....	110-0409
DFS Vac Collection System Mounting Kit .....	110-0891
DFS Pulley Kit.....	110-3944
DFS Bagger Gusset Kit.....	110-3946
Bimini Folding Shade Assembly .....	115-4510
Vac Collection System .....	78514
Chute Gate Kit .....	78521
Filter Minder Gauge .....	99-4664
Hitch Kit .....	99-8925

**Notes:**



**Count on it.**