



**Count on it.**

**Parts Catalog**

**Groundsmaster® 328-D**

**Traction Unit**

**Model No. 30626—Serial No. 31000301 and Up**

# Ordering Replacement Parts

To order replacement parts, please supply the part number, the quantity, and the description of each part desired.

## Understanding Reference Numbers

Each identified part in an illustration has a reference number. The reference number for a part also appears in the parts list, along with other information about the part.

This catalog uses two special reference number formats, one to indicate parts in a service assembly and another to indicate the quantity of a given part in an illustration.

## Service Assembly Reference Numbers

Parts in service assemblies have reference numbers in the form a:b. The a represents the reference number of the entire service assembly and the b represents a sequential number unique to each part within the service assembly.

For example, a wheel assembly might be identified by reference number 6, the tire by 6:1, the valve by 6:2, and the wheel by 6:3. When you order the assembly identified by reference number 6, you receive all parts identified by reference numbers 6:1, 6:2, and 6:3. However, you may also order any part individually. Reference numbers of this type appear in illustration and in parts lists.

## Reference Numbers Indicating Quantity

In an illustration, if a reference number indicates more than one part, the reference number has the form nX y. The n represents the quantity of the part, the X is the multiplication symbol, and the y represents the reference number.

For example, in an illustration, the reference number 2X 37 means that two of the parts identified by reference number 37 are indicated.

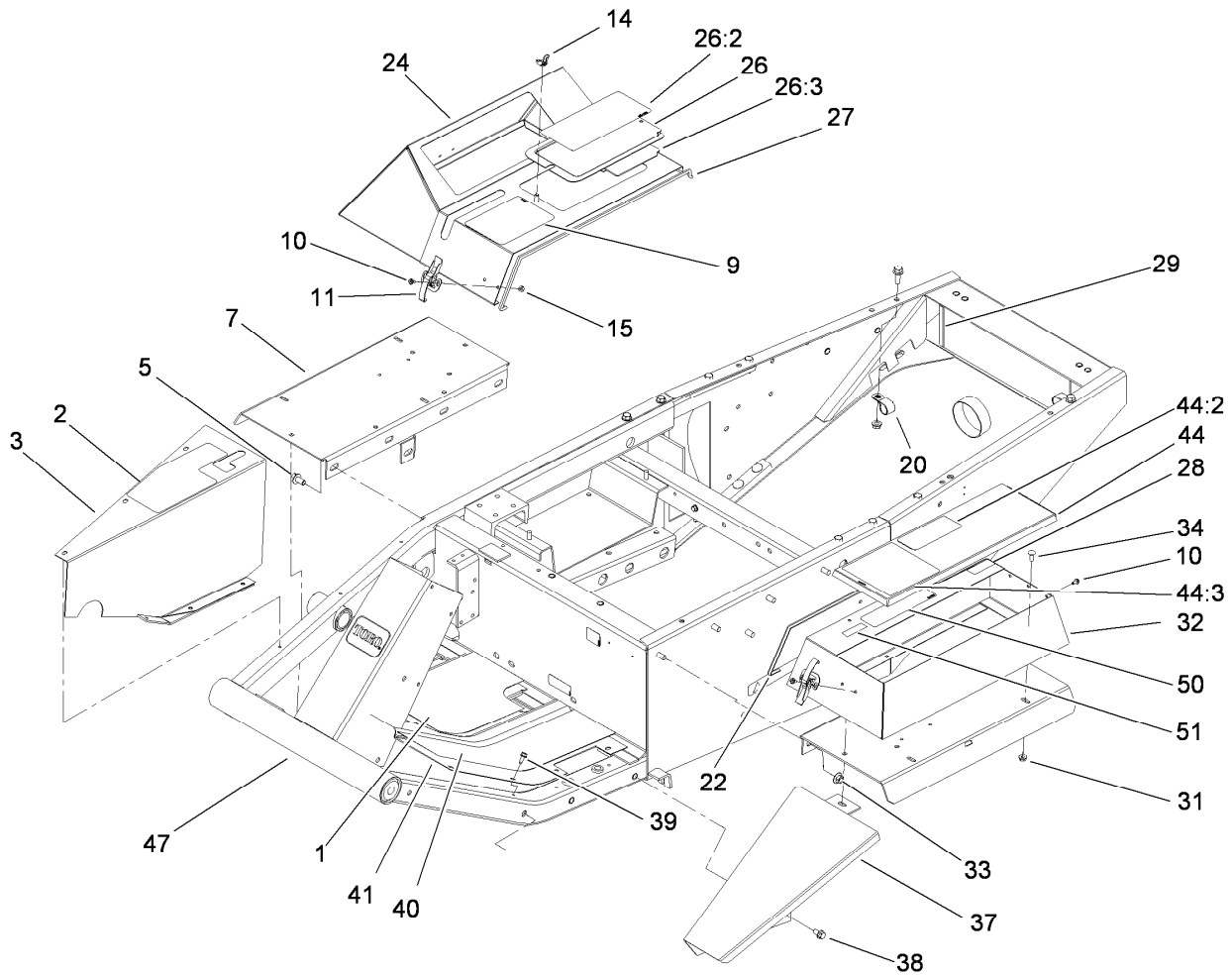
# List of Abbreviations

<b>AR:</b> as required	<b>HOC:</b> height-of-cut	<b>RRB:</b> rear roller brush
<b>ASM:</b> assembly	<b>HSBH:</b> hex socket button head	<b>SFH:</b> slotted fillister head
<b>BBC:</b> blade brake control	<b>HSFH:</b> hex socket flat head	<b>SHH:</b> slotted hex head
<b>BHTF:</b> button head thread forming	<b>HSH:</b> hex socket head	<b>SHWH:</b> slotted hex washer head
<b>CARR:</b> carriage	<b>HWH:</b> hex washer head	<b>SPH:</b> slotted pan head
<b>CCW:</b> counter clockwise	<b>HWTF:</b> hex washer head thread forming	<b>SQH:</b> square head
<b>CW:</b> clockwise	<b>HYD:</b> hydraulic	<b>SRH:</b> slotted round head
<b>DEG:</b> degrees	<b>LH:</b> left hand	<b>STD:</b> standard
<b>DPA:</b> Dual Point Adjustment	<b>LP:</b> Liquid Propane	<b>TAP:</b> self tapping
<b>ECM:</b> electronic control module	<b>NI:</b> nylon insert	<b>TTH:</b> torx truss head
<b>EXT:</b> external	<b>NPTF:</b> national pipe thread fine	
<b>FH:</b> flat head	<b>PFH:</b> phillips flat head	
<b>GA:</b> gauge	<b>PPH:</b> phillips pan head	
<b>HD:</b> heavy-duty	<b>PPHTF:</b> phillips pan head thread forming	
<b>HF:</b> hex flange	<b>PRH:</b> phillips round head	
<b>HH:</b> hex head	<b>PTH:</b> phillips truss head	
<b>HHF:</b> hex head flange	<b>PTO:</b> power-take-off	
<b>HHFTF:</b> hex head flange thread forming	<b>RH:</b> right hand	
<b>HJ:</b> hex jam	<b>ROPS:</b> roll-over protection system	
<b>HLH:</b> hex lag head		

# Contents

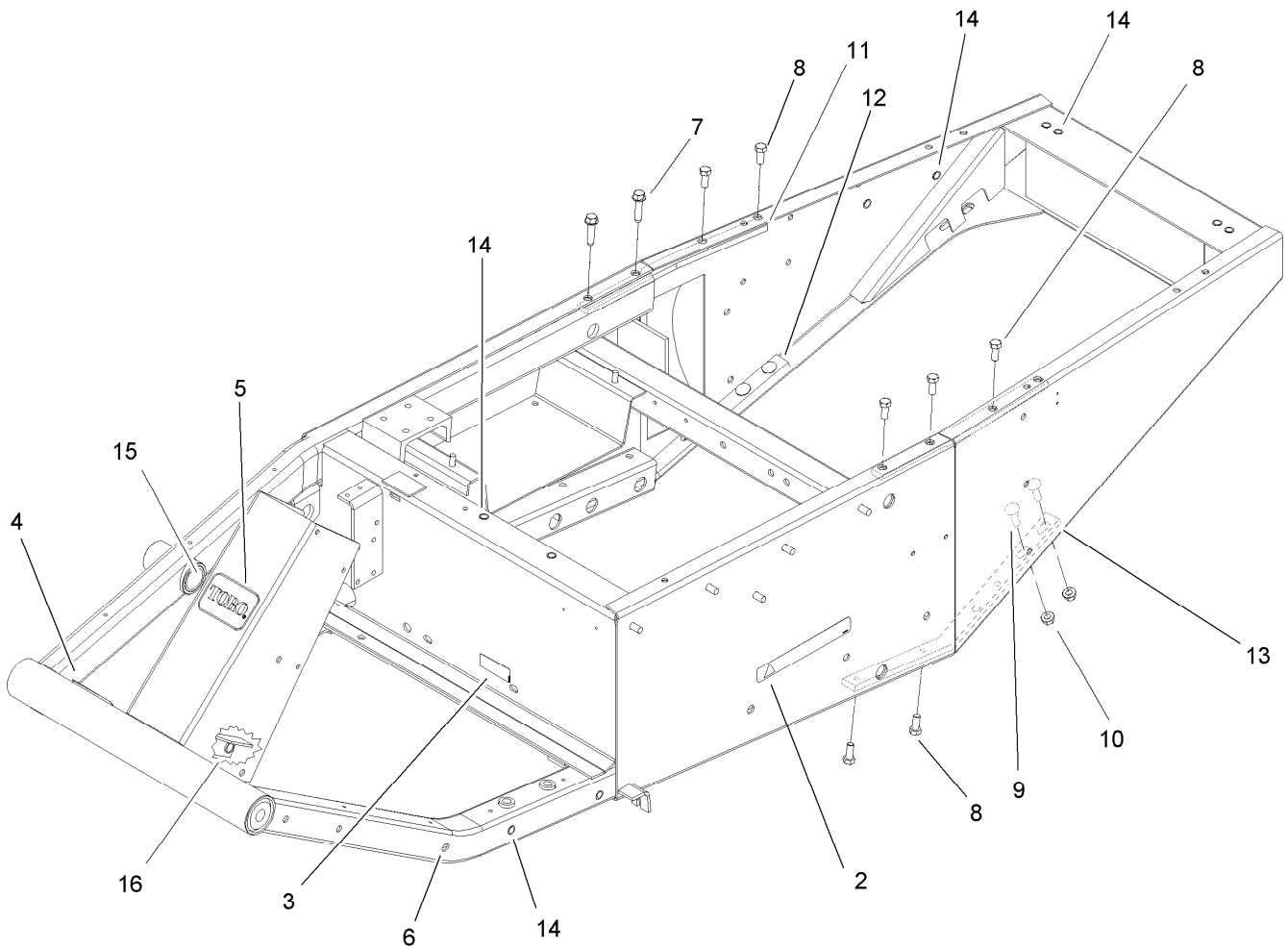
Frame Assembly.....	5
Frame Assembly No. 98-3879.....	6
Control Panel and Battery Assembly.....	7
Brake Pedal Assembly.....	9
Traction Pedal Assembly.....	10
Power Steering Assembly.....	11
Steer Valve and Column Assembly No. 108-6557.....	12
Engine Installation Assembly.....	13
Engine Mounting and Component Assembly.....	14
Engine Pulley System Assembly.....	16
Fan Support Assembly No. 106-4399.....	17
Power-Take-Off and Shaft Assembly.....	18
Power-Take-Off Assembly.....	19
Valve and Cylinder Assembly.....	20
Hydraulic Cylinder Assembly No. 100-6586 (2-1/2in Bore).....	21
Hydraulic Cylinder Assembly No. 100-6591 (3in Bore) (Optional).....	22
Valve Assembly No. 106-8071-01.....	23
Radiator and Hood Assembly.....	24
Hydrostatic Transmission Assembly.....	26
Transmission Pump Assembly.....	27
Transmission Motor Assembly.....	29
Neutral Centering Device Assembly.....	30
Push Arm and Roll-Over Protection System Assembly.....	31
Fuel Filter Assembly.....	33
Fuel Tank and Front Axle Assembly.....	34
Front Axle Assembly No. 86-9600-03.....	36
Differential Case Assembly No. 110-4136.....	38
Front Axle Brake Assembly.....	39
Rear Axle Assembly.....	40
Hydraulic Cylinder Assembly No. 115-4524.....	42
Crankcase Assembly.....	43
Oil Pan Assembly.....	44
Cylinder Head Assembly.....	45
Gear Case Assembly.....	46
Cylinder Head Cover Assembly.....	47
Dipstick and Guide Assembly.....	48
Main Bearing Case Assembly.....	49
Cam Shaft and Idle Gear Assembly.....	50
Piston and Crankshaft Assembly.....	51
Flywheel Assembly.....	52
Fuel Camshaft and Governor Shaft Assembly.....	53
Idle Apparatus and Stop Solenoid Assembly.....	54
Injection Pump Assembly.....	55
Governor Assembly.....	56
Speed Control Plate Assembly.....	57
Nozzle Holder and Glow Plug Assembly.....	58
Nozzle Holder Assembly.....	59
Alternator and Pulley Assembly.....	60
Alternator Components Assembly.....	61
Starter Assembly.....	62
Starter (Component Part) Assembly.....	63
Water Flange and Thermostat Assembly.....	64
Water Pump Assembly.....	65
Valve and Rocker Arm Assembly.....	66

Inlet and Exhaust Manifold Assembly ..... 67  
Muffler Gasket and Operator Manual ..... 68  
Upper and Lower Gasket Kits ..... 69  
Attachments and Accessories ..... 70



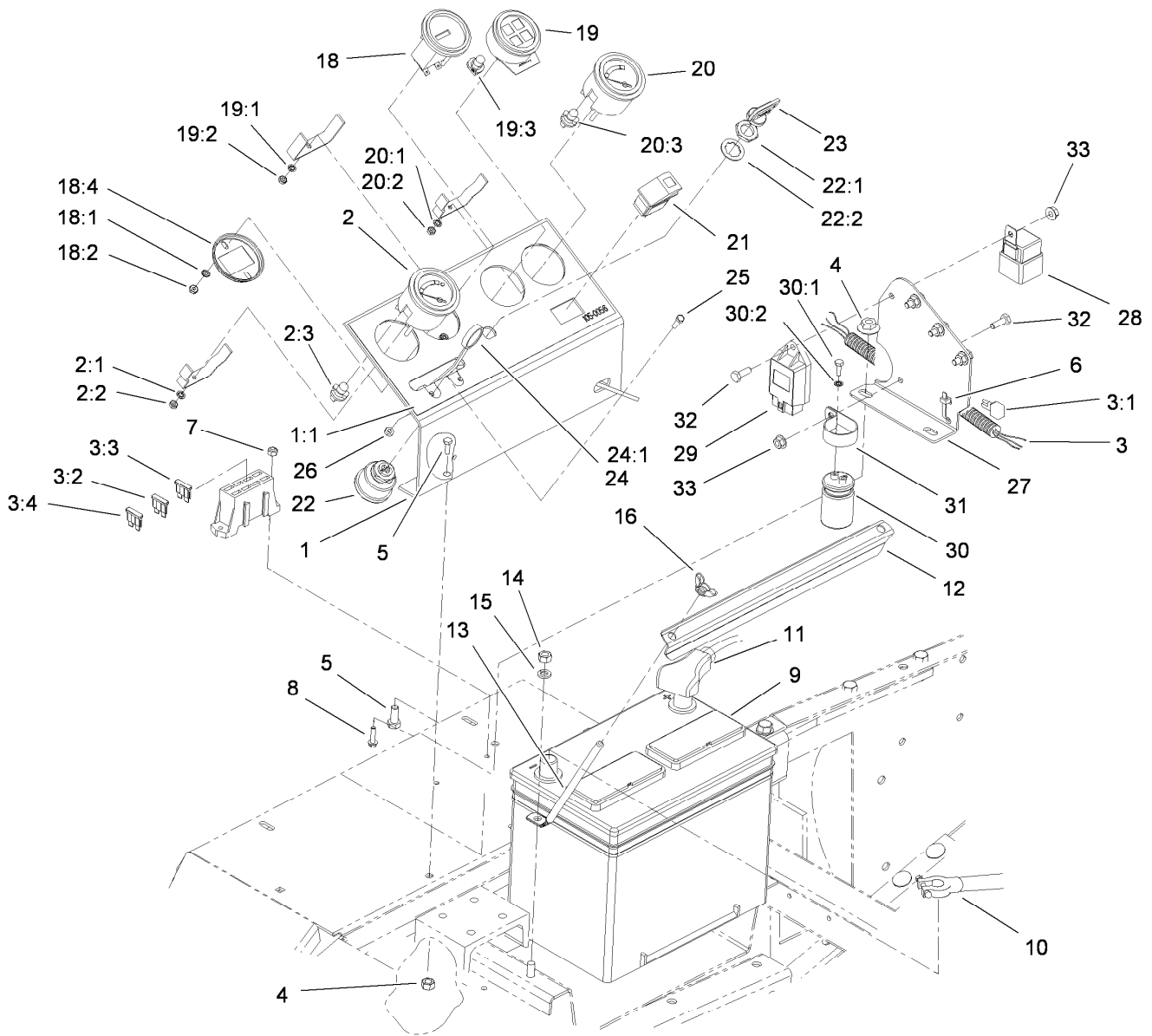
## Frame Assembly

<i>Ref.</i>	<i>Part Number</i>	<i>Qty.</i>	<i>Description</i>	<i>Ref.</i>	<i>Part Number</i>	<i>Qty.</i>	<i>Description</i>
1	21-2770	1	Pad-Floor Plate, RH	28	114-9600	1	Decal-Low Sulfur
2	105-7822	1	Decal-Caution	29	43-4300	2	Trim-Frame, Rear
3	21-2660-01	1	Plate-Side	31	32128-33	5	Nut-HF
5	3234-12	4	Screw-HHF	32	93-3182-03	1	Box-Tool
7	105-2596-01	2	Fender ASM	33	3290-357	6	Nut-HHF, Whiz
9	27-7290	1	Decal-PTO	34	3229-1	5	Screw-CARR
10	3290-144	9	Screw-SHWH	37	68-8610-01	1	Extension-Fender
11	249-21	3	Clamp-Slotted	38	3234-14	2	Screw-HHF
14	32103-2	1	Nut-Wing	39	9266714	11	Screw-HWH
15	3296-2	9	Nut-Lock, NI	40	21-2760	1	Pad-Plate Floor, LH
20	2412-39	2	R-Clamp	41	88-0070-01	1	Plate-Floor
22	37-9650	1	Trim-Box, Tool	44	93-3185	1	Cover ASM
24	38-4550-03	1	Cover-Instruments	44:2	27-7310	1	Decal-Refueling
26	105-2564	1	Battery Cover ASM	44:3	72-3700	1	Decal-Danger
26:2	105-2531	1	Decal-Instructions, Starting	47	98-3879	1	Frame ASM
26:3	92-7801	1	Shield-Cover, Battery	50	67-1710	1	Decal-Warning
27	39-8020	1	Trim-Cover, Instrument	51	117-2718	1	Decal-Arrester, Spark



## Frame Assembly No. 98-3879

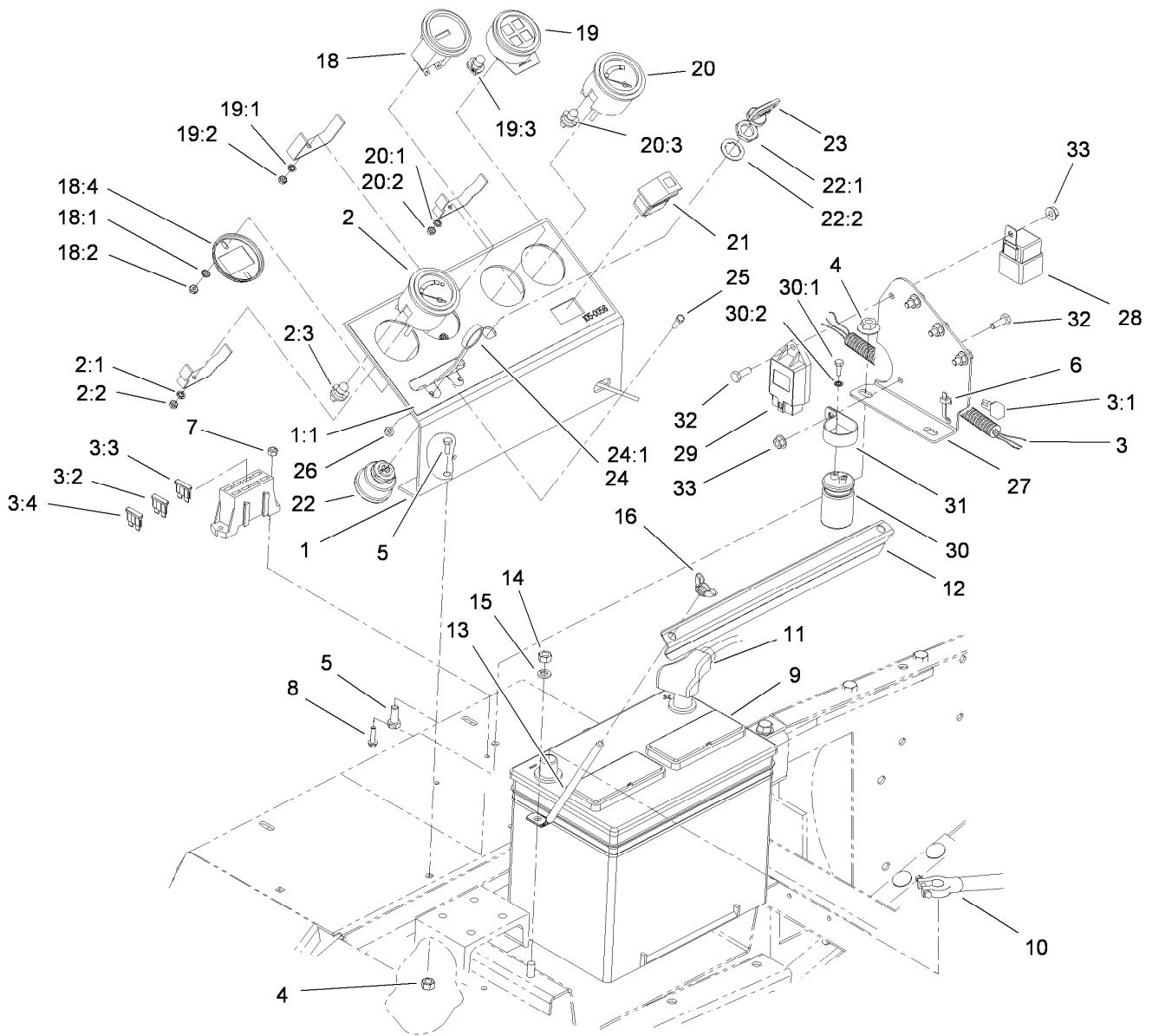
<i>Ref.</i>	<i>Part Number</i>	<i>Qty.</i>	<i>Description</i>
2	93-7830	2	Decal-Torque
3	93-6686	1	Decal-Oil, HYD
4	93-7836	1	Decal-Pedal, Traction
5	70-2200	1	Decal
6	32148-9	1	Insert-Nut
7	11-0590	2	Screw-HWHTF
8	3234-25	9	Screw-HHF
9	3231-25	4	Screw-CARR
10	32128-21	4	Nut-HF
11	98-3866-01	2	Brace-Upper
12	98-3865-01	1	Brace-Right, Lower
13	98-3864-01	1	Brace-Left, Lower
14	3290-472	10	Insert-Threaded
15	256-126	2	Bushing
16	256-156	1	Bushing-Flange



## Control Panel and Battery Assembly

Ref.	Part Number	Qty.	Description
1	105-2917	1	Instrument Panel ASM
1:1	105-0056	1	Decal-Panel, Instrument
2	98-9339	1	Gauge-Fuel
2:1	3254-1	3	Washer-Lock, Int
2:2	3217-27	3	Nut-Hex
2:3	105-9265	1	Bulb And Lamp ASM
3	114-9722	1	Harness-Wire
3:1	100-4918	2	Diode
3:2	114241	1	Fuse-Blade, 7.5 Amp
3:3	109355	1	Fuse-Blade, 15 Amp
3:4	218-578	1	Fuse-Blade, 10 Amp
4	32128-44	4	Nut
5	322-3	4	Screw-HH
6	3290-379	2	Tie-Cable
7	3296-2	2	Nut-Lock, NI
8	32105-13	2	Screw-HWH
9	106-5190	1	Battery
10	104-9497	1	Cable-Battery, Negative
11	95-8853	1	Cable-Battery, Positive
12	24-6420-03	1	Holddown-Battery
13	24-6390	2	Stud-Holddown, Battery

Ref.	Part Number	Qty.	Description
14	3217-6	2	Nut-Hex
15	3253-4	2	Washer-Lock
16	32103-2	2	Nut-Wing
18	66-2950	1	Gauge-Hourmeter
18:1	3255-20	2	Washer-Lock
18:2	3217-25	2	Nut-Hex
18:4	105-0039	1	Bracket-Gauge
19	112-6561	1	Warning Light ASM
19:1	3254-1	1	Washer-Lock, Int
19:2	3217-27	1	Nut-Hex
19:3	105-9264	4	Bulb And Lamp ASM
20	98-9308	1	Gauge-Temperature
20:1	3254-1	3	Washer-Lock, Int
20:2	3217-27	3	Nut-Hex
20:3	105-9265	1	Bulb And Lamp ASM
21	100-8072	1	Switch
22	104-2541	1	Switch ASM
22:1	218-461	1	Nut-HH
22:2	3254-5	1	Washer-Tooth, Internal
23	63-8360	2	Key-Ignition
24	43-3990	1	Control-Throttle

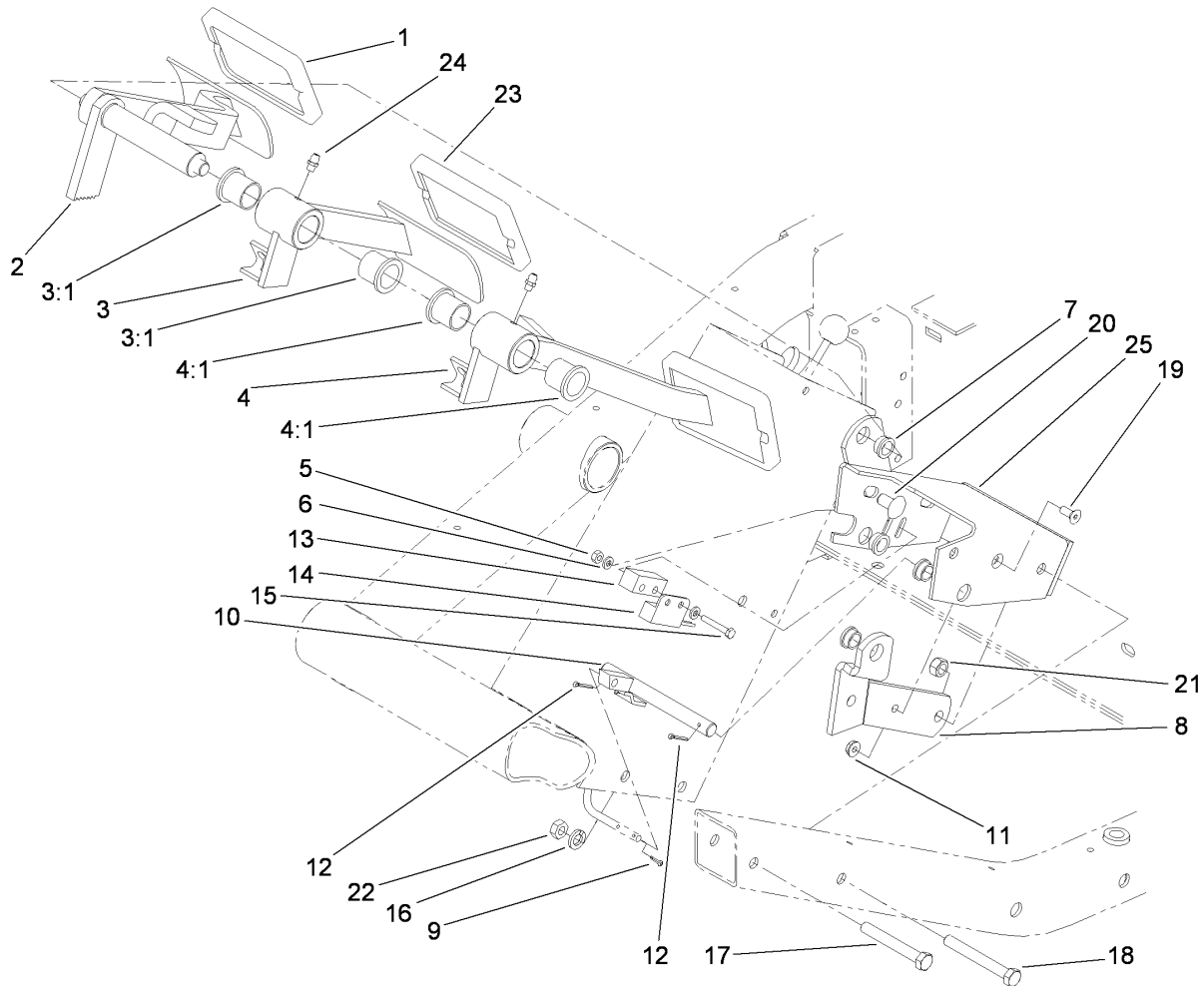


## Control Panel and Battery Assembly (continued)

<i>Ref.</i>	<i>Part Number</i>	<i>Qty.</i>	<i>Description</i>
24:1	233-35	1	Knob
25	3290-134	2	Screw
26	3296-12	2	Nut-Lock, NI
27	105-0002-01	1	Bracket-Relay
28	99-7430	4	Relay
29	98-7611	1	Controller-Glow

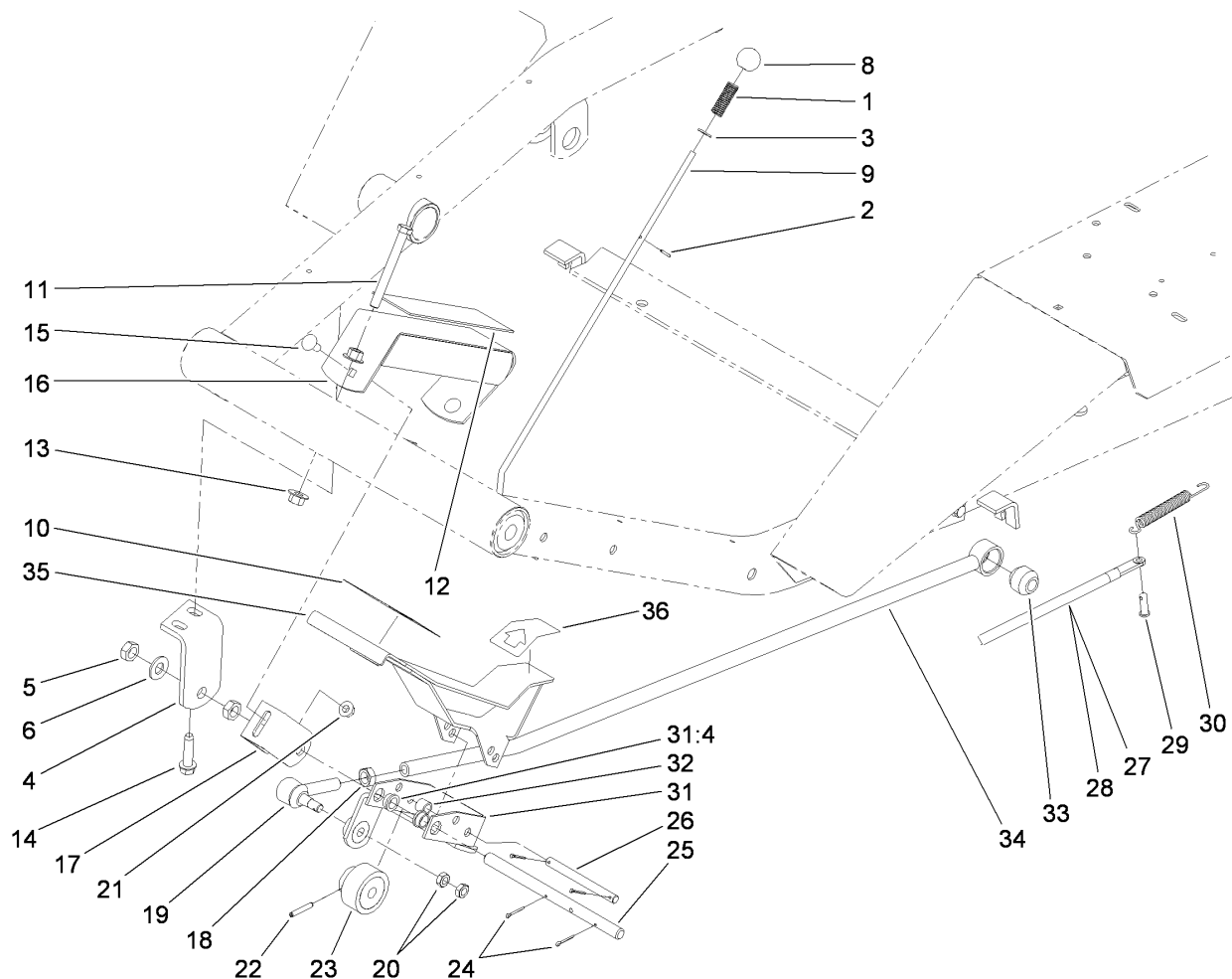
<i>Ref.</i>	<i>Part Number</i>	<i>Qty.</i>	<i>Description</i>
30	37-2690	1	Capacitor
30:1	3252-18	2	Screw
30:2	3254-1	2	Washer-Lock, Int
31	2412-74	1	R-Clamp
32	321-4	5	Screw-HH
33	32128-33	5	Nut-HF





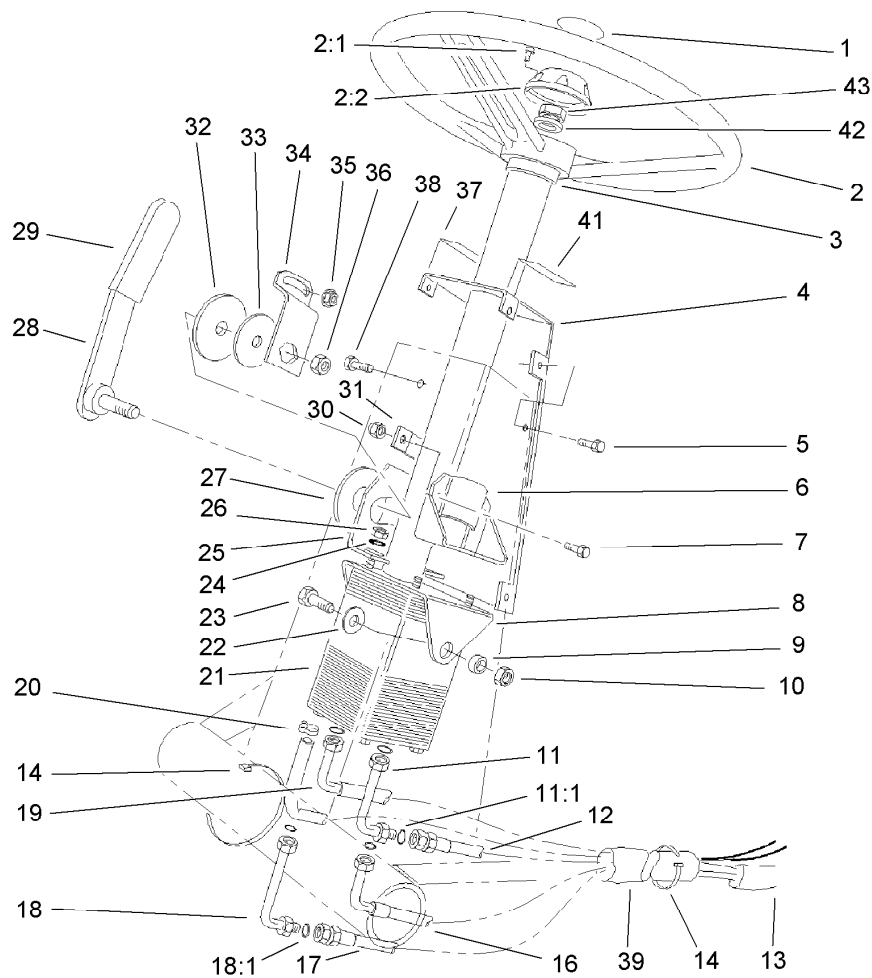
## Brake Pedal Assembly

<i>Ref.</i>	<i>Part Number</i>	<i>Qty.</i>	<i>Description</i>	<i>Ref.</i>	<i>Part Number</i>	<i>Qty.</i>	<i>Description</i>
1	93-8742	1	Footpad-Brake	13	105-0064	1	Spacer-Switch
2	27-8550-01	1	Parking Brake Pedal ASM	14	100-1270	1	Switch-Proximity
3	27-7510	1	RH Brake Pedal ASM	15	3290-360	2	Screw-HH
3:1	256-10	2	Bushing-Flange	16	3253-21	2	Washer-Lock
4	27-7490	1	LH Brake Pedal ASM	17	323-13	1	Screw-HH
4:1	256-10	2	Bushing-Flange	18	323-14	1	Screw-HH
5	3296-2	2	Nut-Lock, NI	19	3274-47	1	Screw-HSFH
6	3256-51	4	Washer-Flat	20	3231-21	2	Screw-CARR
7	256-156	4	Bushing-Flange	21	32153-2	2	Nut-Lock, Side
8	27-9270-01	1	Pivot Shaft Mount ASM	22	3217-7	2	Nut-Hex
9	3272-5	2	Pin-Cotter	23	93-8743	2	Footpad-Turn
10	105-0065	1	Parking Brake Shaft ASM	24	302-5	2	Fitting-Grease
11	32149-2	1	Nut-Keps	25	105-0066-01	1	Brake Pedal Mount ASM
12	3272-6	2	Pin-Cotter				



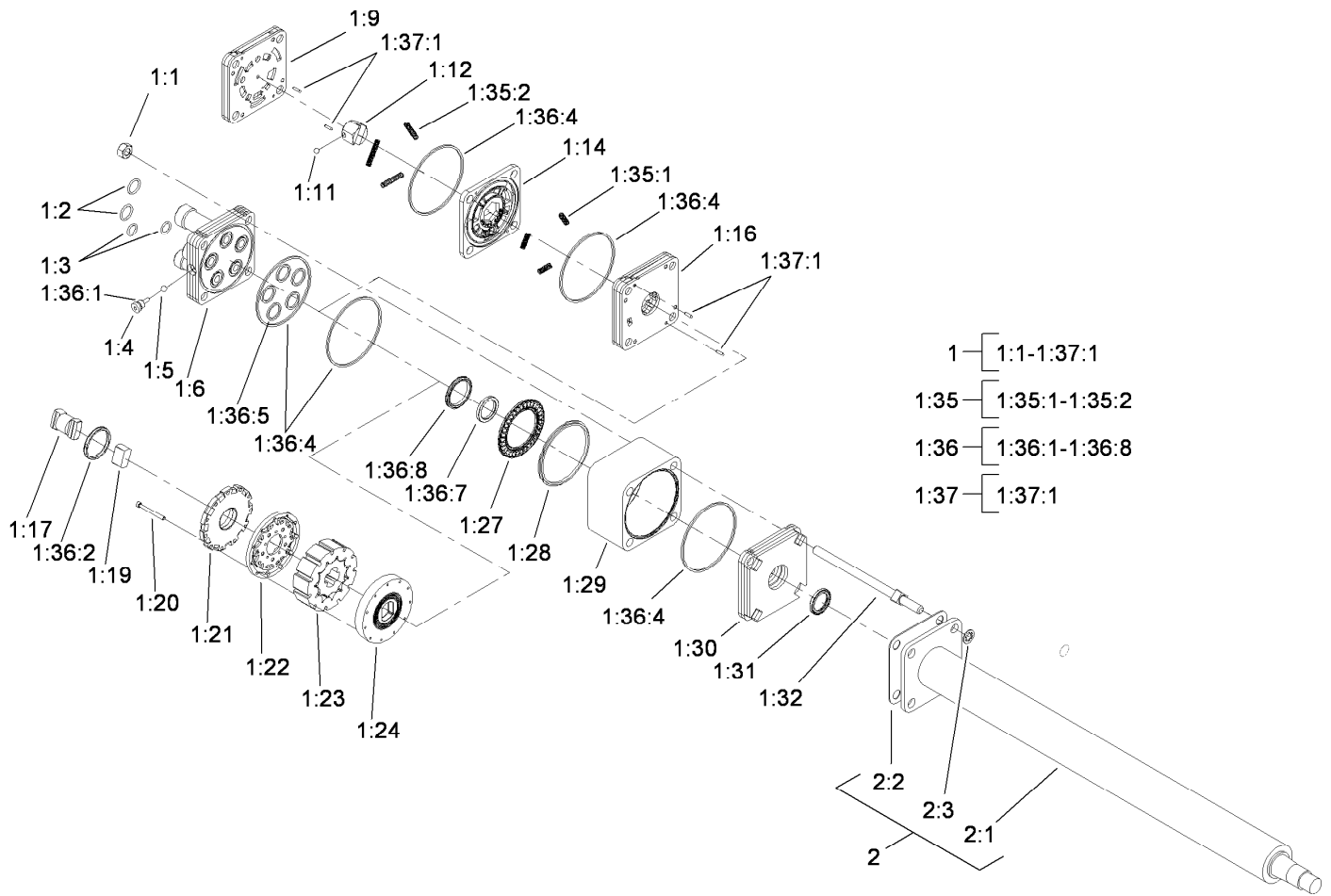
## Traction Pedal Assembly

<i>Ref.</i>	<i>Part Number</i>	<i>Qty.</i>	<i>Description</i>	<i>Ref.</i>	<i>Part Number</i>	<i>Qty.</i>	<i>Description</i>
1	95-1821	1	Spring-Compression	20	3220-3	2	Nut-HJ
2	3272-5	1	Pin-Cotter	21	32128-20	2	Nut-HF
3	3256-22	1	Washer-Flat	22	32121-6	1	Pin-Roll, Slotted
4	21-2850-01	1	Mount-Pedal, RH	23	28-5220	1	Friction Wheel ASM
5	3218-5	2	Nut-Jam	24	3272-6	4	Pin-Cotter
6	3256-26	1	Washer-Flat	25	88-1650	1	Shaft-Pedal, Traction
8	233-17	1	Knob	26	88-1640	1	Pin-Pedal, Traction
9	82-8670	1	Rod-Latch, Brake	27	108-1380	1	LH Brake Cable ASM
10	94-3307	1	Pad-Pedal, Traction	28	108-1379	1	RH Brake Cable ASM
11	323-15	1	Screw-HH	29	283-58	2	Pin-Clevis
12	88-1720	1	Pad-Footrest	30	3-7243	2	Spring-Extension
13	32128-43	2	Nut-Flange	31	88-1670	1	Pivot Bracket ASM
14	11-0590	2	Screw-HWHTF	31:4	256-156	2	Bushing-Flange
15	3230-1	2	Bolt-CARR	32	88-0470	1	Tube-Spacer, Pedal
16	88-1710-01	1	Footrest ASM	33	23-2270	1	Bushing-Rubber
17	88-1680-01	1	Bracket-Footrest	34	23-2240-03	1	Pump Control Tube ASM
18	3220-5	1	Nut-Jam	35	94-3304-01	1	Support-Pedal
19	21-0141-03	1	RH Ball Joint ASM	36	94-3308	1	Pad-Pedal, Traction



## Power Steering Assembly

Ref.	Part Number	Qty.	Description	Ref.	Part Number	Qty.	Description
1	68-5370	1	Decal	21	108-6557	1	Steer Valve And Column ASM
2	75-0560	1	Wheel-Steering	22	3256-46	2	Washer-Flat
2:1	32144-21	1	Screw	23	323-6	2	Screw-HH
2:2	68-5140	1	Cap-Wheel, Steering	24	3256-3	4	Washer-Flat
3	21-9260	1	Cover-Dust	25	80-2940-03	1	Plate-Pivot
4	82-8660-01	1	Cover-Tower	26	3296-20	4	Nut-Lock, NI
5	32144-10	6	Screw-HWH	27	31-0390	1	Disc-Friction
6	67-8690-03	1	Support-Column	28	108-6092	1	Lever-Steering, Tilt
7	322-5	2	Screw-HH	29	21-1880	1	Grip-Handle
8	77-3120-01	1	Bracket-Mounting, Column	30	3296-29	2	Nut-Lock, NI
9	80-2960	2	Spacer-Tower	31	82-8650	1	Clamp-Column
10	3296-39	2	Nut-Lock, NI	32	82-9010	1	Disc-Friction
11	82-8760	1	Elbow-HYD	33	80-2930	1	Washer-Flat
11:1	237-30	1	O-Ring	34	80-2880	1	Bracket-Tilt
12	63-8970	1	Hose-HYD	35	32128-20	1	Nut-HF
13	70-1390	1	Sleeve-Protective	36	3218-7	1	Nut-Jam
14	3290-379	4	Tie-Cable	37	82-8940	1	Decal-Steering, Tilt
16	68-9730	1	Hose-Steering, HYD	38	322-4	1	Screw-HH
17	68-9720	1	Hose-Steering, HYD	39	70-1380	1	Sleeve-Protective
18	82-8770	1	Elbow-HYD	41	82-8930	1	Decal-Brake, Parking
18:1	237-22	1	O-Ring	42	3256-27	1	Washer-Flat
19	63-8980	1	Hose-HYD	43	3296-33	1	Nut-Lock, NI
20	2412-36	1	Clamp-Hose				

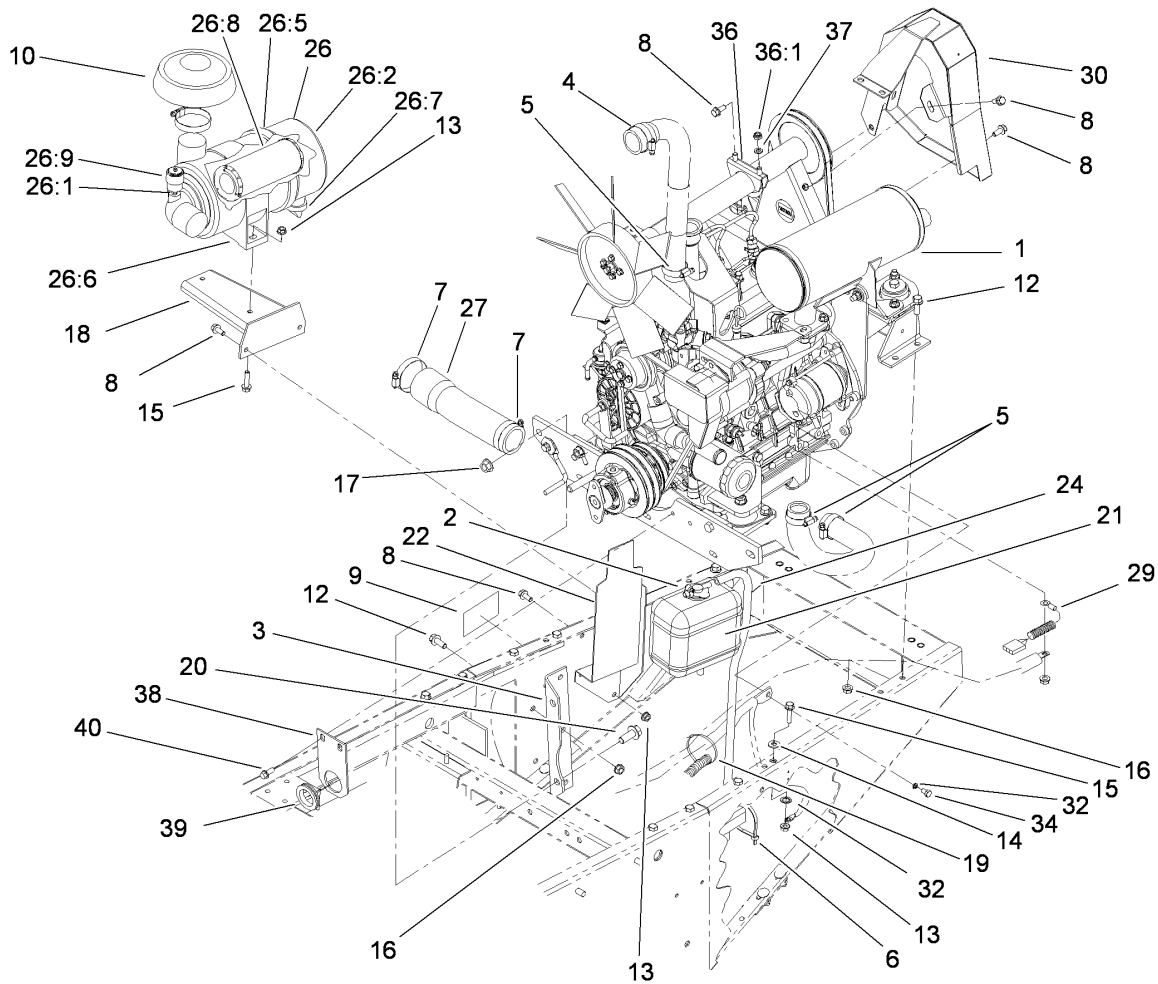


## Steer Valve and Column Assembly No. 108-6557

Ref.	Part Number	Qty.	Description	Ref.	Part Number	Qty.	Description
1		1	Power Steering Unit ASM ■	1:28		1	Spacer-Bearing ■
1:1		4	Nut-Hex ■	1:29		1	Ring-Metering ■
1:2	237-30	2	O-Ring	1:30		1	Cover-Upper ■
1:3	237-22	2	O-Ring	1:31	114-2879	1	Seal-Lip
1:4		1	Plug And O-Ring ASM ■	1:32	92-7310	4	Bolt-Special
1:5		1	Ball-Steel ■	1:35	66-9970	1	Spring Kit ●
1:6		1	Port-Cover ■	1:35:1		3	Gv-Spring ■
1:9		1	Manifold-Port ■	1:35:2		3	Spring ■
1:11		1	Ball-Nylon ■	1:36	66-9980	1	Seal Kit ●
1:12		1	Hex Drive ASM ■	1:36:1		1	O-Ring ■
1:14		1	Valve And Ring ASM ■	1:36:2		1	Seal ■
1:16		1	Manifold-Isolation ■	1:36:4		5	Seal Ring ■
1:17		1	Link-Drive ■	1:36:5		5	O-Ring ■
1:19		1	Spacer-Link, Drive ■	1:36:7		1	Seal Spacer ■
1:20		11	Screw-HSH ■	1:36:8		1	Seal Face ■
1:21		1	Cover-Commutator ■	1:37	66-9990	1	Needle Roller Kit ●
1:22		1	Commutator And Ring ASM ■	1:37:1		9	Needle-Roller ■
1:23		1	Gerotor ASM ■	2	108-6560	1	Column ASM
1:24		1	Plate-Drive ■	2:1		1	Column ASM ■
1:27		1	Bearing ■	2:2	114-2881	1	Upper Cover Gasket
				2:3	92-7316	4	Nut-Push On

● Not illustrated

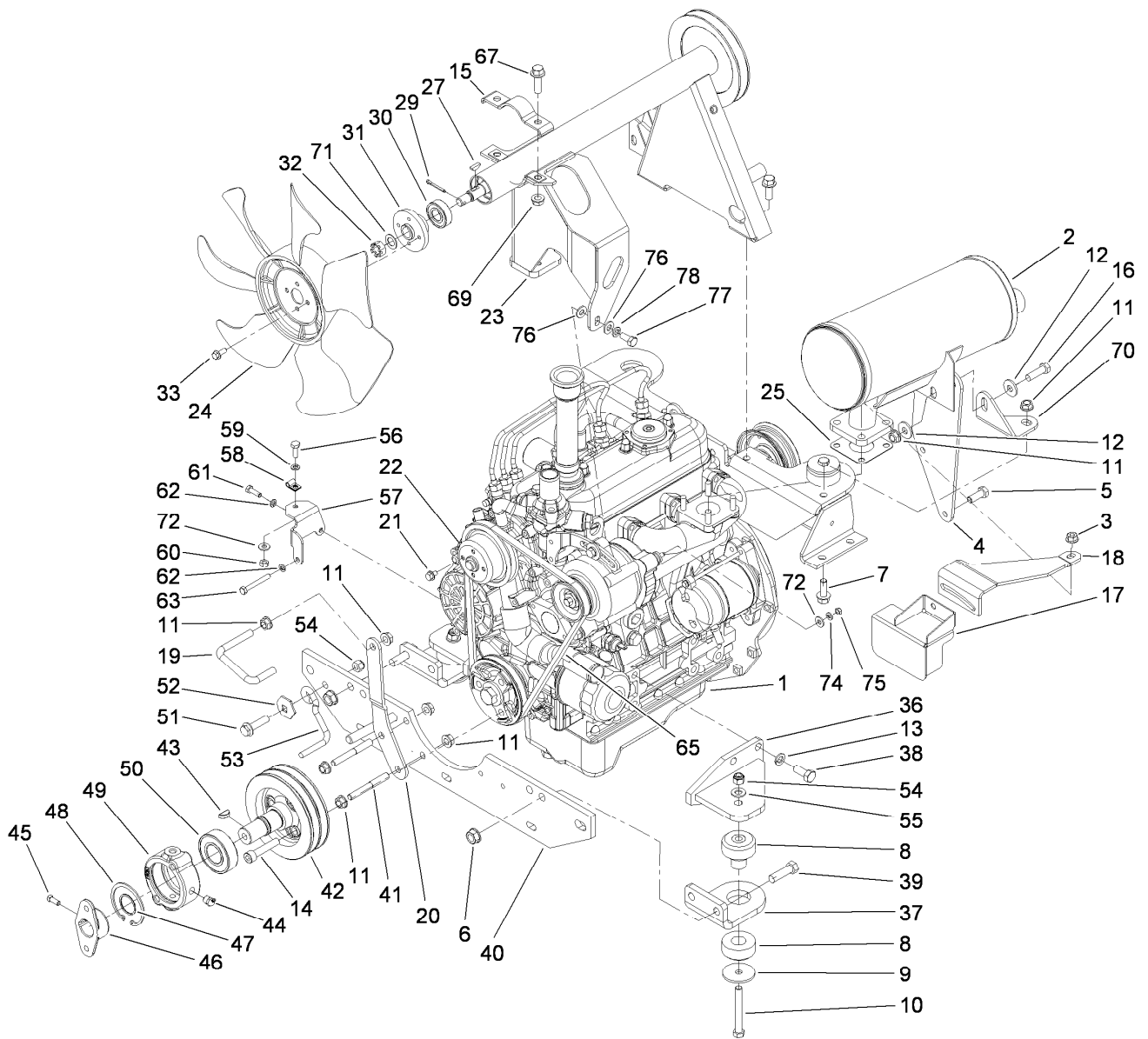
■ Not serviced separately



## Engine Installation Assembly

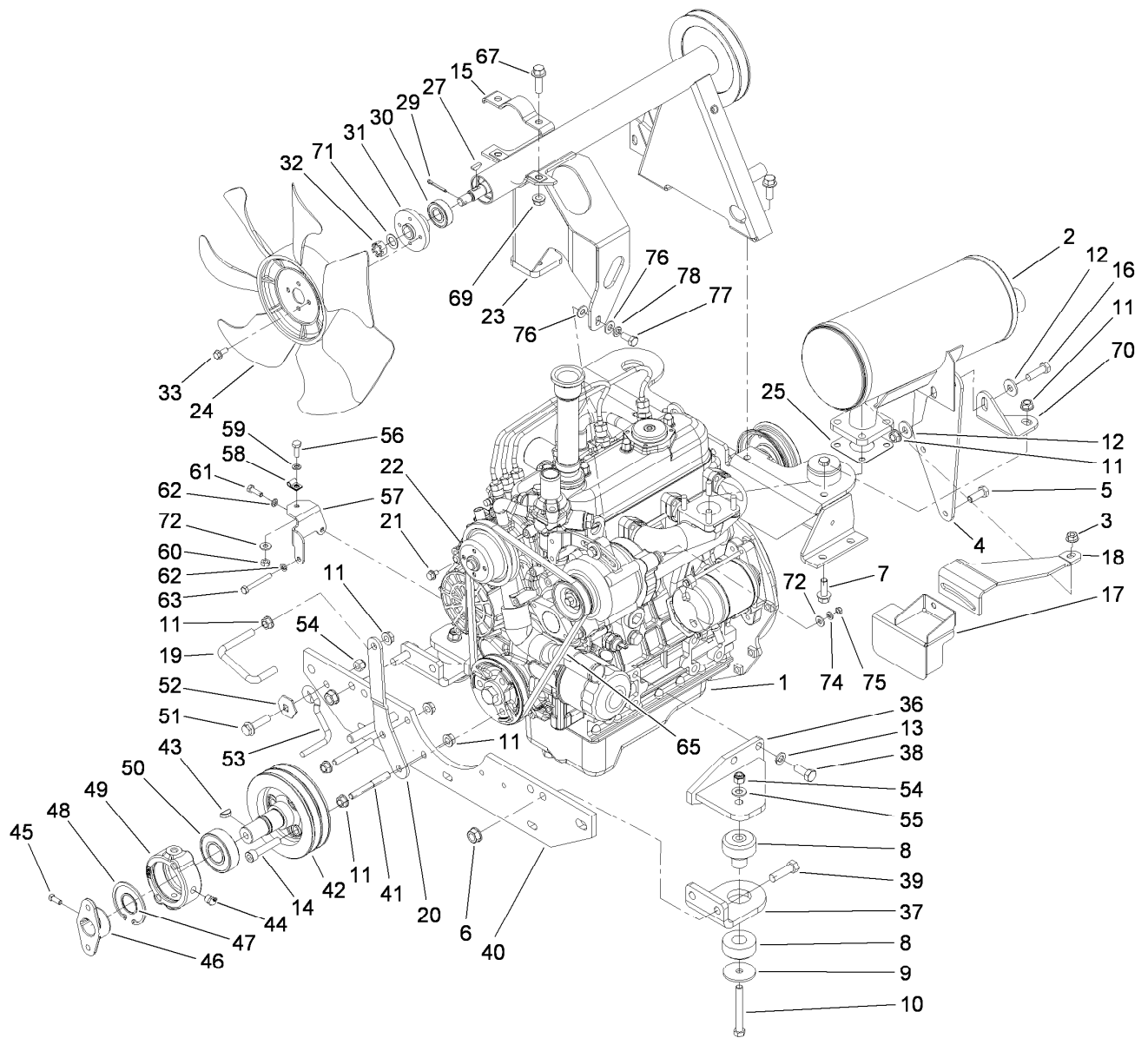
Ref.	Part Number	Qty.	Description	Ref.	Part Number	Qty.	Description
1		1	Engine ASM ●	24	110-3257	1	Hose-Fuel
2	2412-108	2	Clamp-Worm	26	104-3428	1	Air Cleaner ASM
3	67-8190-01	2	Bracket-Support, Engine	26:1	105-4292	1	Nipple-Pipe
4	2412-3	1	Clamp-Hose	26:2	104-0497	1	Cover ASM
5	2412-111	3	Clamp	26:5	104-4897	1	Gasket
6	3334-945	1	Tie-Cable	26:6	98-4525	1	Bracket-Cleaner, Air
7	2412-130	2	Clamp-Hose	26:7	104-0498	1	Valve-Vacuator
8	3234-5	9	Screw-HHF	26:8	108-3810	1	Filter-Air
9	83-9150	1	Decal-Fluid, Starting	26:9	93-9164	1	Indicator-Mini
10	105-2539	1	Cap ASM	27	104-3434	1	Hose-Inlet, Air
12	3234-11	10	Screw-HHF	29	99-3441	1	Harness-Wire, Fusible Link
13	32128-20	6	Nut-HF	30	105-7807-03	1	Guard-Belt, Fan
14	3256-3	1	Washer-Flat	32	3254-6	2	Washer-Lock, Internal
15	3234-36	3	Screw-HHF	34	70-8470	1	Screw-HH
16	3290-357	10	Nut-HHF, Whiz	36	2112-6	1	Clamp-Muffler
17	32128-23	2	Nut-HF	36:1	3218-2	2	Nut-Jam
18	98-4518-03	1	Bracket-Cleaner, Air	37	3253-4	2	Washer-Lock
19	3290-378	1	Tie-Cable	38	104-3774-03	1	Bracket-Bulkhead
20	3234-32	2	Screw-HHF	39	240-7	1	Grommet-Rubber
21	104-9318	1	Overflow Bottle ASM	40	32144-11	2	Screw-HWHTF
22	105-0050-03	1	Reservoir Bracket ASM				

● Not serviced separately



## Engine Mounting and Component Assembly

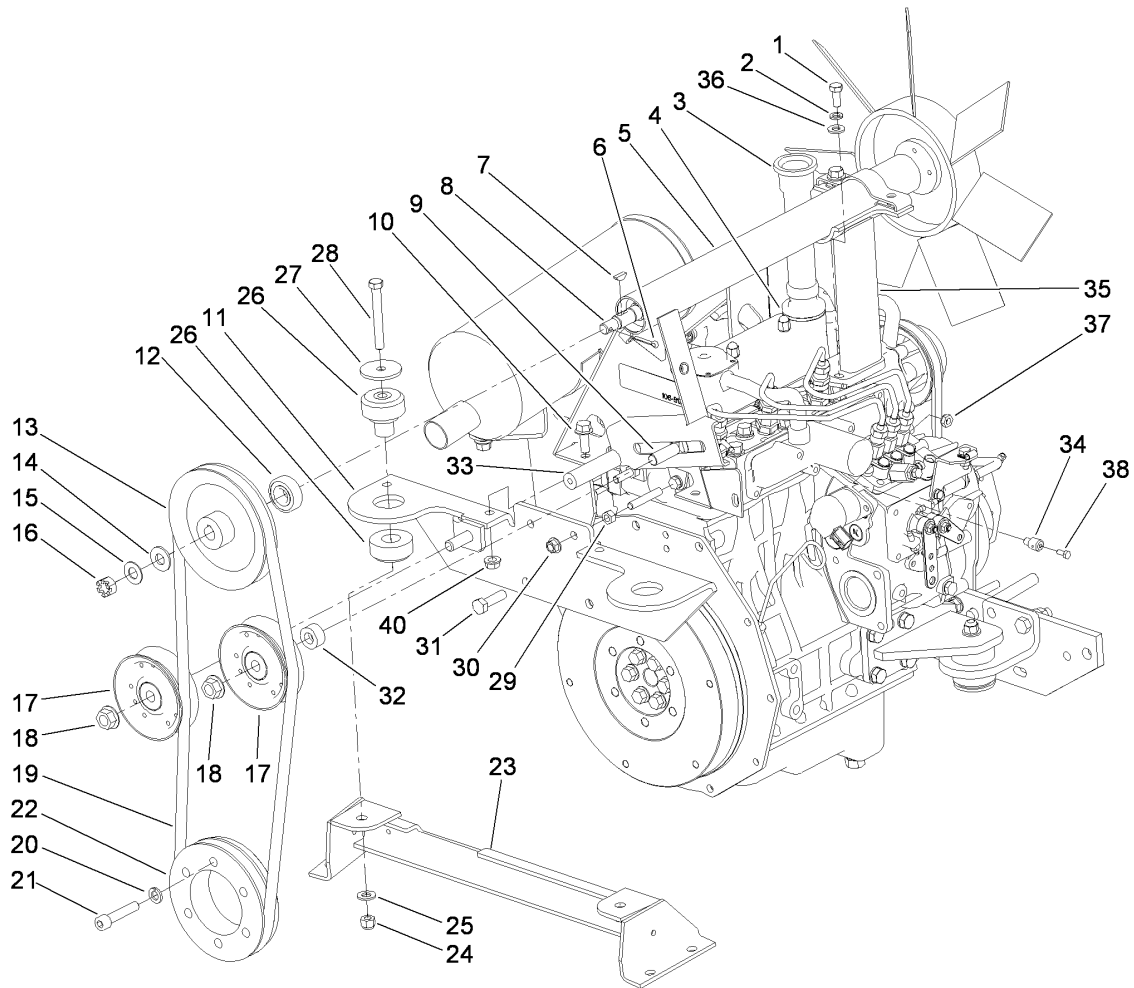
Ref.	Part Number	Qty.	Description	Ref.	Part Number	Qty.	Description
1	114-2890	1	Engine ASM	22	98-9584	1	Pulley-Fan
2	106-8069	1	Muffler-Exhaust	23	98-9346	1	Sender-Temperature
3	33004-00	4	Nut-HF	24	107-9096	1	Fan-Cooling
4	105-2523-03	1	Bracket-Muffler	25	98-9611	1	Gasket
5	33114-016	2	Screw-HH	27	3257-30	1	Key-Woodruff
6	3296-48	4	Nut-Lock, NI	29	3272-16	1	Pin-Cotter
7	3234-11	1	Screw-HHF	30	38-7820	1	Bearing-Ball
8	115-4507	2	Mount-Engine	31	104-3408-03	1	Hub-Fan
9	63-7400	2	Washer-Rebound	32	32136-3	1	Nut-SHH
10	323-14	2	Screw-HH	33	3234-33	4	Screw-HHF
11	3290-357	9	Nut-HHF, Whiz	36	104-3463-03	2	Front Mount ASM
12	80-6990	4	Washer-Hardened	37	115-4508-03	2	Bracket-Engine Mount, Front
13	42-9600	8	Washer-Lock, Spring	38	43-0090	8	Screw-HH
14	3274-106	3	Screw-HSH	39	324-6	4	Screw-HH
15	105-2519-03	1	Clamp-Cradle	40	115-4528-01	1	Engine Support ASM
16	323-44	2	Screw-HH	41	105-0057	2	Stud-Retainer, Belt
17	110-9679-03	1	Guard-Alternator	42	104-3406	1	Pulley-Engine, Machining
18	105-2556-03	1	Brace-Alternator, Upper	43	3257-33	1	Key-Woodruff
19	105-4276	1	Guide-Belt, PTO	44	302-10	1	Fitting-Grease
20	105-0052-03	1	Bracket-Guide, Belt	45	3241-5	2	Screw-Set
21	81-1280	4	Screw-HHF				



## Engine Mounting and Component Assembly (continued)

Ref.	Part Number	Qty.	Description
46	110-5236	1	Hub-Engine
47	32120-69	1	Ring-Snap
48	32120-22	1	Ring-Snap, Internal
49	43-3720	1	Collar-Bearing
50	251-252	1	Bearing
51	3234-18	1	Screw-HHF
52	3290-224	1	Lockwasher-Pyramid
53	63-1400	1	Rod-Belt
54	3296-39	3	Nut-Lock, NI
55	3256-24	2	Washer-Flat
56	321-4	1	Screw-HH
57	104-3421-03	1	Bracket-Throttle
58	2412-31	1	Clamp-Boden
59	3253-3	1	Washer-Lock
60	3217-5	1	Nut-Hex

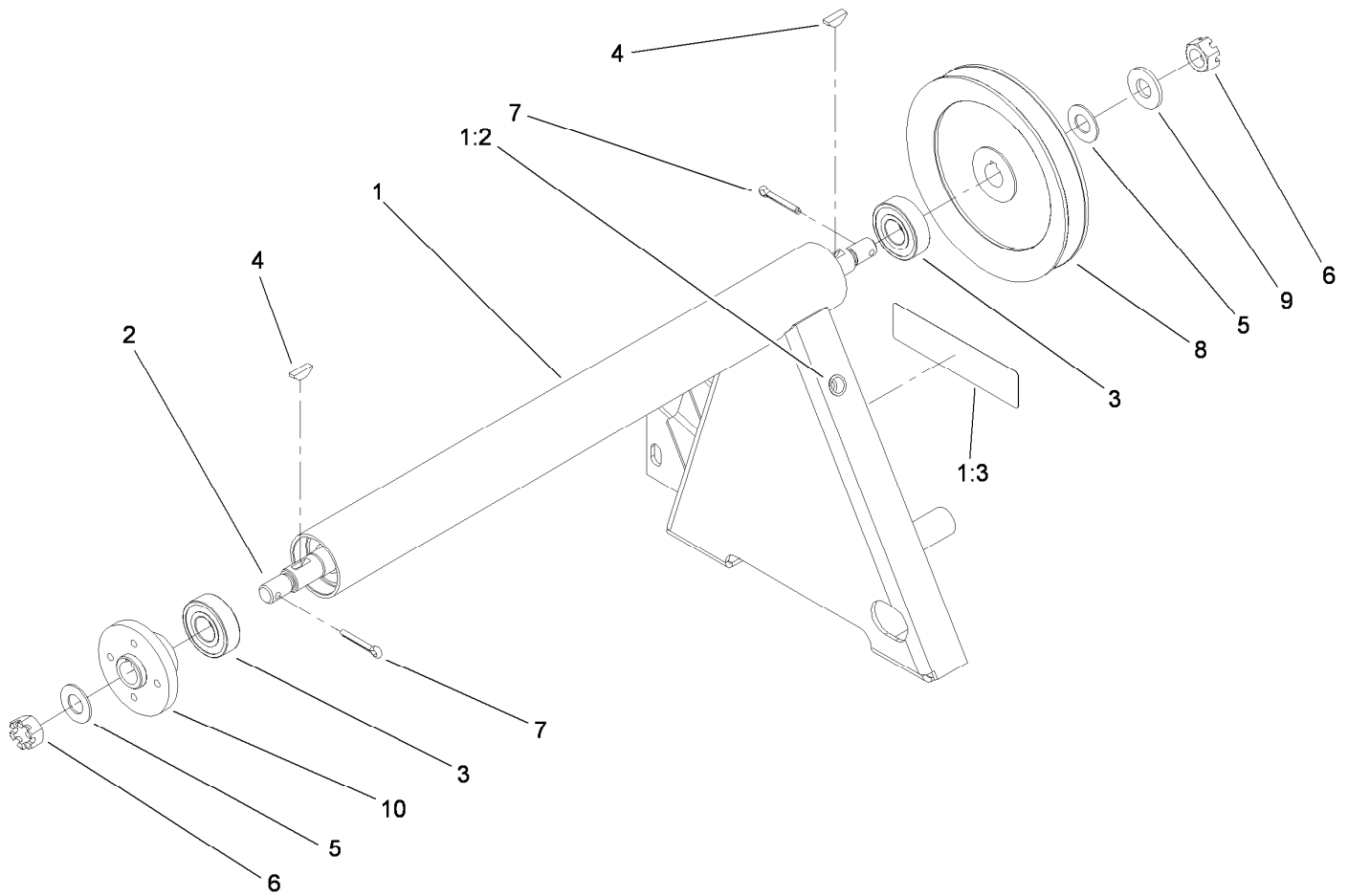
Ref.	Part Number	Qty.	Description
61	33113-050	1	Screw-HH
62	48-8020	2	Washer-Spring
63	48-7630	1	Screw
65	98-9676	1	V-Belt
67	3234-24	2	Screw-HHF
69	3296-39	2	Nut-Lock, NI
70	115-4513-03	1	Bracket-Muffler
71	18-9810	1	Washer-Thrust
72	3256-22	2	Washer-Flat
74	43-5930	1	Washer-Lock, Spring
75	33013-00	1	Nut-Hex
76	33094-00	2	Washer-Plain
77	92-1374	1	Screw-HH
78	3253-4	1	Washer-Lock



## Engine Pulley System Assembly

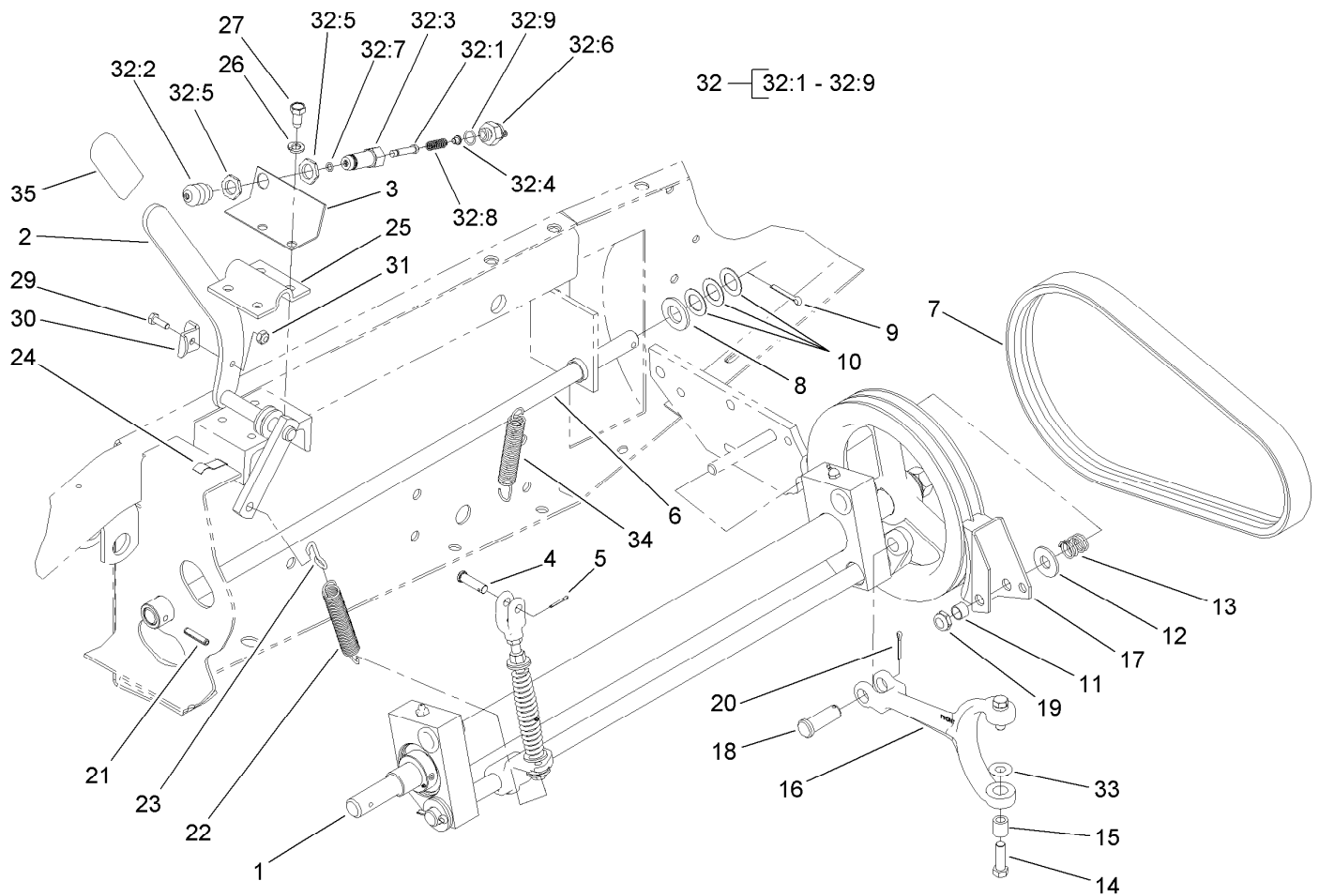
<i>Ref.</i>	<i>Part Number</i>	<i>Qty.</i>	<i>Description</i>	<i>Ref.</i>	<i>Part Number</i>	<i>Qty.</i>	<i>Description</i>
1	93-7773	2	Screw-HHF	21	3274-106	6	Screw-HSH
2	3253-4	2	Washer-Lock	22	104-3407	1	Pulley-Engine, Rear
3	105-0087	1	Flange-Filler, Oil	23	105-2520-03	1	Engine Mount ASM
4	98-7430	1	O-Ring	24	3296-39	2	Nut-Lock, NI
5	106-4399	1	Fan-Support ASM	25	3256-24	2	Washer-Flat
6	3272-16	1	Pin-Cotter	26	115-4506	2	Mount-Engine
7	3257-30	1	Key-Woodruff	27	63-7400	2	Washer-Rebound
8	43-3690	1	Shaft-Fan	28	323-14	2	Screw-HH
9	3233-14	1	Screw-CARR	29	33014-00	2	Nut-Hex
10	3234-11	2	Screw-HHF	30	33004-00	2	Nut-HF
11	115-4509-03	1	Rear Engine Mount ASM	31	56-2140	2	Screw-HH
12	38-7820	1	Bearing-Ball	32	105-0058	1	Spacer-Idler, Fan
13	105-2524	1	Pulley	33	105-2502	2	Stud
14	18-9810	2	Washer-Thrust	34	105-4263	1	Swivel-Cable, Throttle
15	29-8910	1	Washer	35	105-2507-03	1	Cradle-Support, Tube
16	32136-3	1	Nut-SHH	36	68-0020	2	Spacer-Pivot, Idler
17	105-3699	2	Pulley-Idler, Flat	37	3296-20	1	Nut-Lock, NI
18	32128-23	2	Nut-HF	38	25-8640	1	Screw-HH
19	105-3693	1	Belt-Fan	40	32128-21	2	Nut-HF
20	42-9600	6	Washer-Lock, Spring				





## Fan Support Assembly No. 106-4399

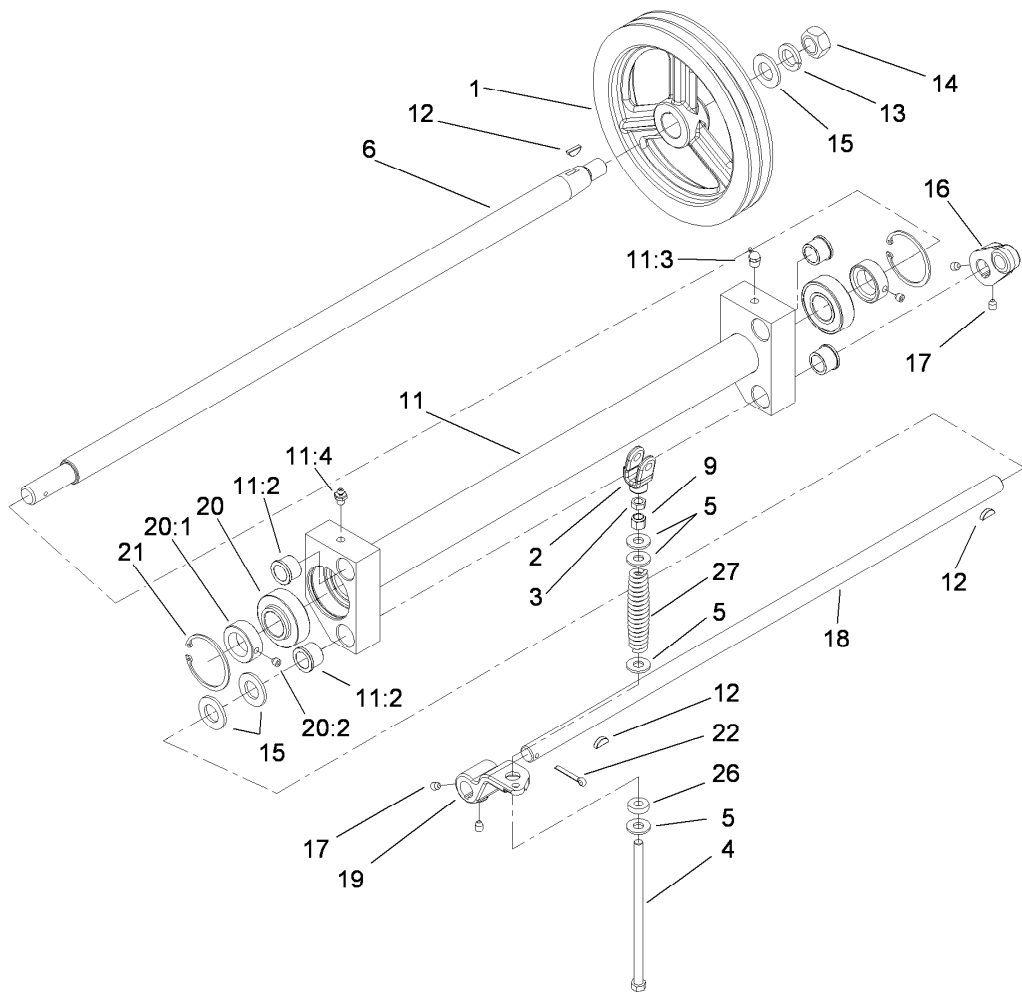
<i>Ref.</i>	<i>Part Number</i>	<i>Qty.</i>	<i>Description</i>
1	105-2592	1	Tube Support ASM
1:2	3290-472	2	Insert-Threaded
1:3	106-8120	1	Decal-Danger, Ce
2	43-3690	1	Shaft-Fan
3	38-7820	2	Bearing-Ball
4	3257-30	2	Key-Woodruff
5	18-9810	2	Washer-Thrust
6	32136-3	2	Nut-SHH
7	3272-16	2	Pin-Cotter
8	105-2524	1	Pulley
9	29-8910	1	Washer
10	104-3408-03	1	Hub-Fan



## Power-Take-Off and Shaft Assembly

Ref.	Part Number	Qty.	Description	Ref.	Part Number	Qty.	Description
1		1	PTO ASM ●	23	5-0701	1	Anchor
2	84-8500-01	1	Lever-PTO	24	212-93	3	Clamp-Casing
3	84-8520-01	1	Bracket-Switch, PTO	25	21-1600	1	Clamp-Lever, PTO
4	283-42	1	Pin-Clevis	26	3253-21	4	Washer-Lock
5	3272-6	1	Pin-Cotter	27	32104-6	4	Screw-HH, Thd Cut
6	43-3860	1	Shaft-Pivot, PTO	29	321-4	1	Screw-HH
7	106-4383	1	Belt-V, Banded	30	86-7050	1	Bracket-Switch, Actuator
8	3256-28	1	Washer-Flat	31	3296-16	1	Nut-Lock, NI
9	3272-22	1	Pin-Cotter	32	43-9071	1	Limit Switch ASM
10	3-6498	3	Washer-Thrust	32:1	43-8860	1	Plunger-Switch
11	3-8812	1	Spacer-Spring, Anchor	32:2	43-8870	1	Boot-Switch
12	3256-6	1	Washer-Flat	32:3	43-8620	1	Pin-Guide, Switch
13	5-1747	1	Spring-Adjustment	32:4	43-8610	1	Guide
14	92-5727	2	Screw-Lock, Patch	32:5	218-461	2	Nut-HH
15	92-5723	2	Bushing-Fork, PTO	32:6	72-4320	1	Switch-Ball
16	110-9681-03	1	Fork-PTO	32:7	237-7	1	O-Ring
17	27-7370	1	PTO Brake ASM	32:8	43-8600	1	Spring-Compression
18	93-3769	1	Pin-Clevis	32:9	237-30	1	O-Ring
19	3296-28	1	Nut-Lock, NI	33	75-9890	2	Washer-Shim
20	3272-11	1	Pin-Cotter	34	108-1368	1	Spring-Extension
21	32121-9	1	Pin-Roll, Slotted	35	21-1880	1	Grip-Handle
22	21-1830	1	Spring-Extension				

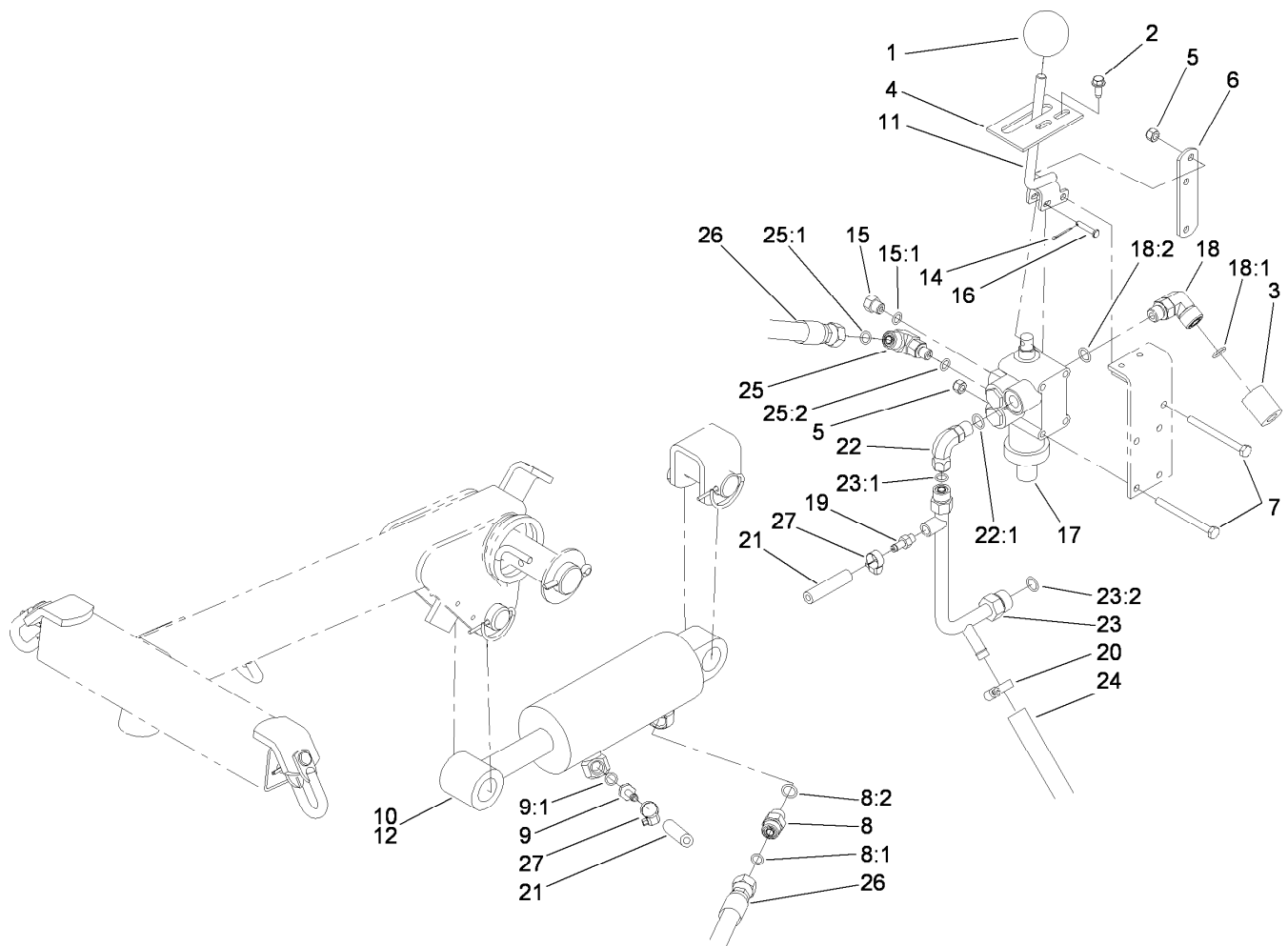
● Not serviced separately



## Power-Take-Off Assembly

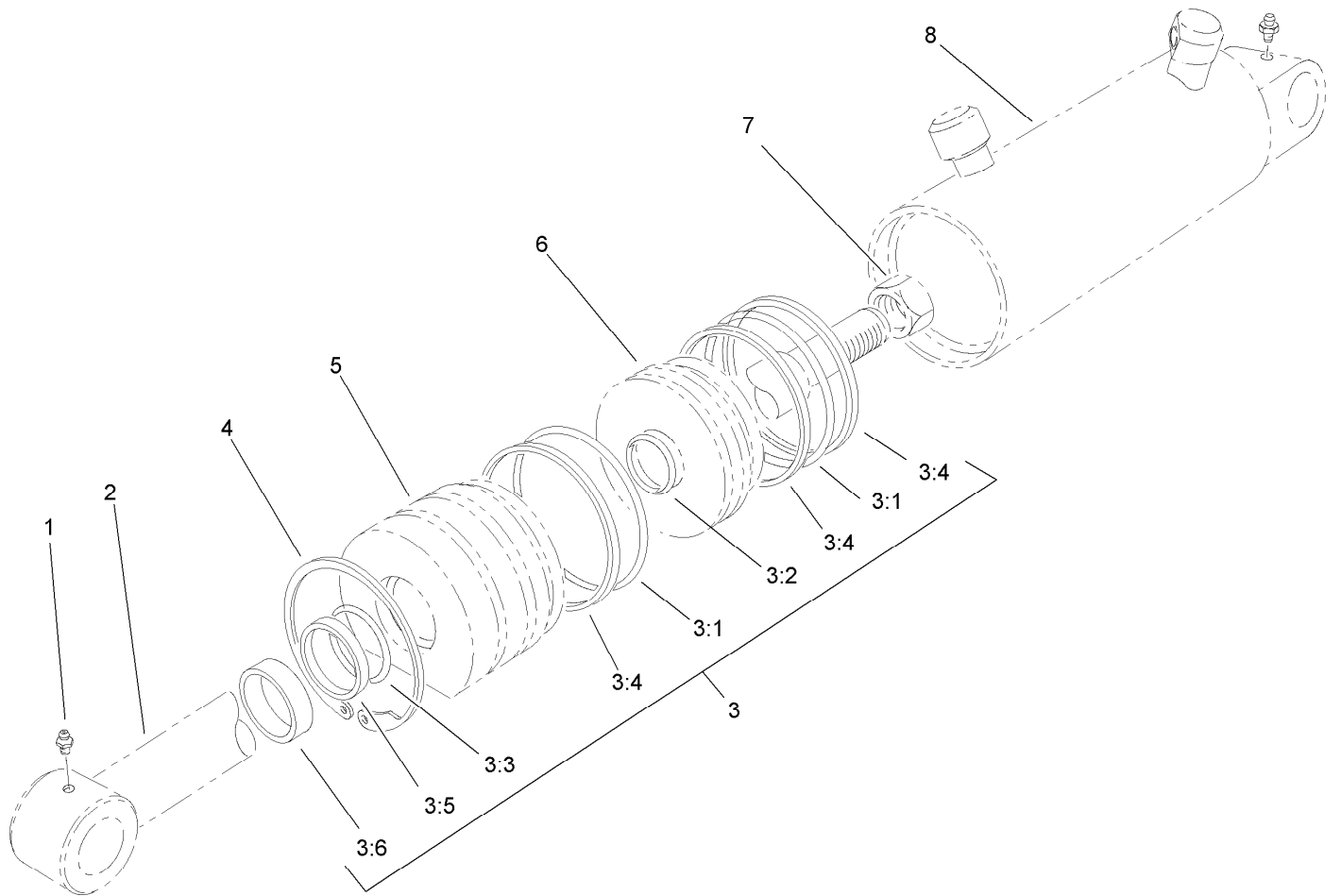
Ref.	Part Number	Qty.	Description
1	21-0230	1	Pulley-PTO
2	43-5630	1	Yoke-PTO
3	3219-3	1	Nut-Hex
4	27-7900	1	Screw-Adjusting
5	3256-41	4	Washer
6	43-5540	1	Shaft-PTO
9	3296-6	1	Nut-Lock
11	100-6599	1	PTO Pivot ASM
11:2	117-0826	4	Bushing-Flange
11:3	302-10	1	Fitting-Grease
11:4	302-2	1	Fitting-Grease
12	3257-5	3	Key-Woodruff
13	3254-7	1	Washer-Lock, Int

Ref.	Part Number	Qty.	Description
14	3219-7	1	Nut-Hex
15	3256-28	3	Washer-Flat
16	92-4058	1	Arm-PTO
17	3246-3	4	Screw-HSH
18	43-5550	1	Shaft-Actuator, PTO
19	43-5570	1	Arm-Actuator
20	251-252	2	Bearing
20:1	251-234	1	Collar-Locking
20:2	106-9662	1	Screw-Set, HSH
21	32120-22	2	Ring-Snap, Internal
22	3272-22	1	Pin-Cotter
26	5-0652	1	Spacer
27	21-0400-01	1	Spring-Compression



## Valve and Cylinder Assembly

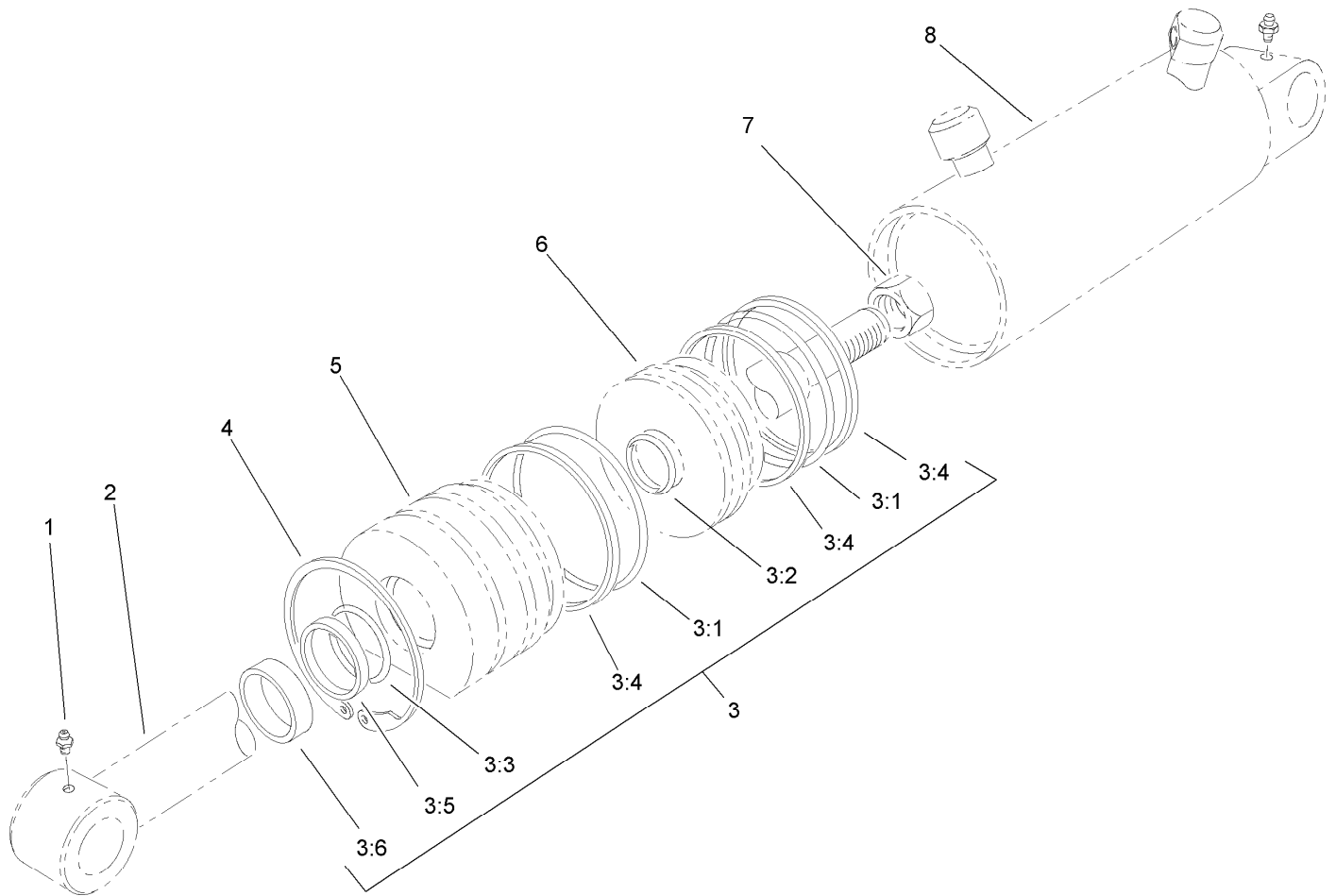
<i>Ref.</i>	<i>Part Number</i>	<i>Qty.</i>	<i>Description</i>	<i>Ref.</i>	<i>Part Number</i>	<i>Qty.</i>	<i>Description</i>
1	233-21	1	Knob	17	106-8071-01	1	Valve ASM
2	32144-10	2	Screw-HWH	18	340-99	1	Fitting-HYD, 90 DEG
3	38-3400	1	Guard-Rubber	18:1	237-30	1	O-Ring
4	105-7806	1	Latch-Lever, Valve	18:2	237-42	1	O-Ring
5	3296-42	5	Nut-Lock, NI	19	304-73	1	Connector-Hose
6	21-9010	1	Lever-Valve, Pivot Mount	20	2412-36	1	Clamp-Hose
7	321-23	5	Screw-HH	21	92-7834	1	Hose-HYD
8	340-2	1	Fitting-HYD, Straight	22	340-110	1	Fitting-Swivel, 90 DEG
8:1	237-22	1	O-Ring	22:1	237-42	1	O-Ring
8:2	237-42	1	O-Ring	23	63-9260	1	Manifold Valve ASM
9	92-5512	1	Fitting-Hose, Barbed	23:1	237-22	1	O-Ring
9:1	237-78	1	O-Ring	23:2	237-30	1	O-Ring
10	100-6586	1	Cylinder-HYD, 2.5 Inch	24	63-8990	1	Hose-HYD
11	105-7839-03	1	Valve Lever ASM	25	340-97	1	Fitting-HYD, 90 DEG
12	100-6591	1	Cylinder-HYD, 3 Inch	25:1	237-22	1	O-Ring
14	3272-2	1	Pin-Cotter	25:2	237-78	1	O-Ring
15	353-512	1	Plug	26	92-7833	1	Hose ASM
15:1	237-78	1	O-Ring	27	2412-108	2	Clamp-Worm
16	283-17	1	Pin-Clevis				



## Hydraulic Cylinder Assembly No. 100-6586 (2-1/2in Bore)

<i>Ref.</i>	<i>Part Number</i>	<i>Qty.</i>	<i>Description</i>
1	302-55	2	Fitting-Grease
2		1	Shaft ●
3	61-4960	1	Seal Kit
3:1		2	O-Ring ●
3:2		1	O-Ring ●
3:3		1	O-Ring ●
3:4		3	Backup ●
3:5		1	Backup ●
3:6		1	Seal-Dust ●
4	61-4990	1	Ring-Retaining
5		1	Head ●
6		1	Piston ●
7		1	Nut ●
8		1	Barrel ●

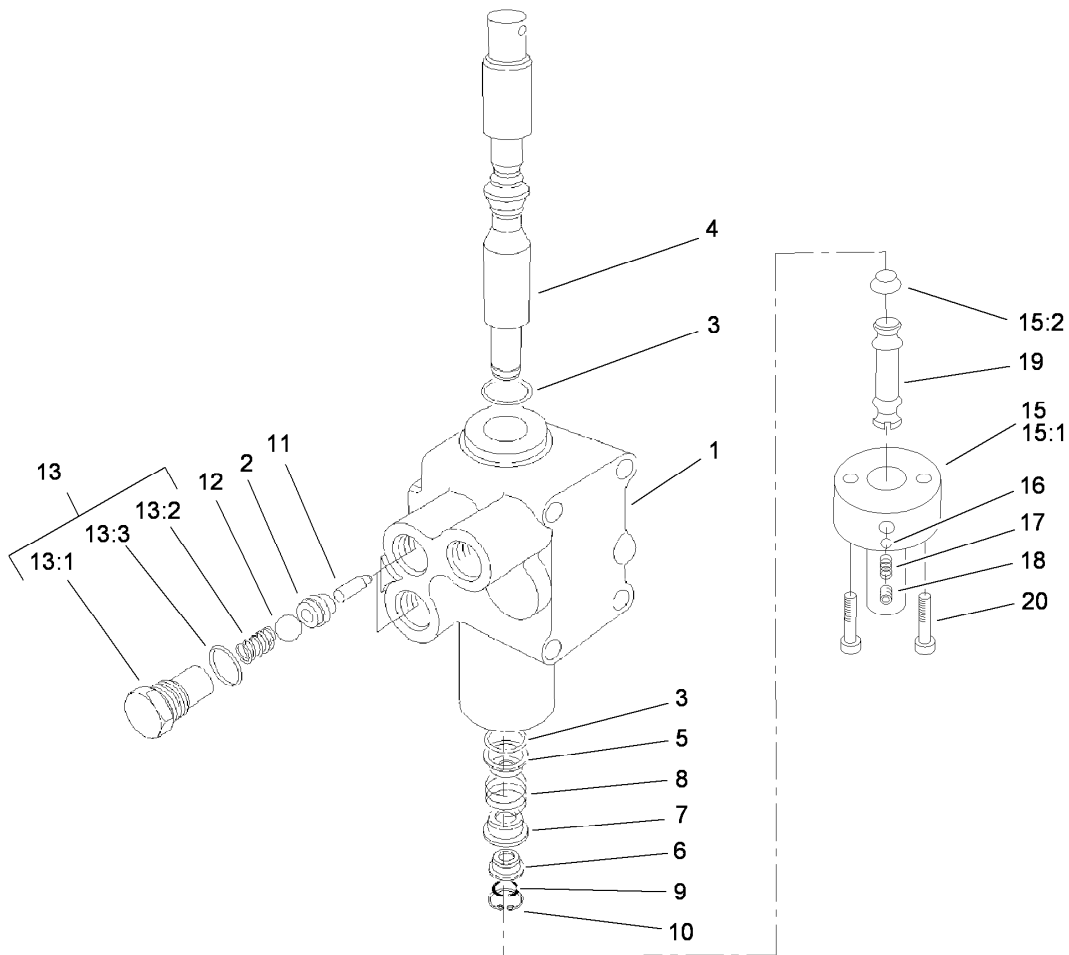
● Not serviced separately



## Hydraulic Cylinder Assembly No. 100-6591 (3in Bore) (Optional)

Ref.	Part Number	Qty.	Description
1	302-55	2	Fitting-Grease
2		1	Shaft ●
3	67-5500	1	Seal Kit
3:1		2	O-Ring ●
3:2		1	O-Ring ●
3:3		1	O-Ring ●
3:4		3	Backup ●
3:5		1	Backup ●
3:6		1	Seal-Dust ●
4	67-5470	1	Ring-Snap
5		1	Head ●
6		1	Piston ●
7		1	Nut ●
8		1	Barrel ●

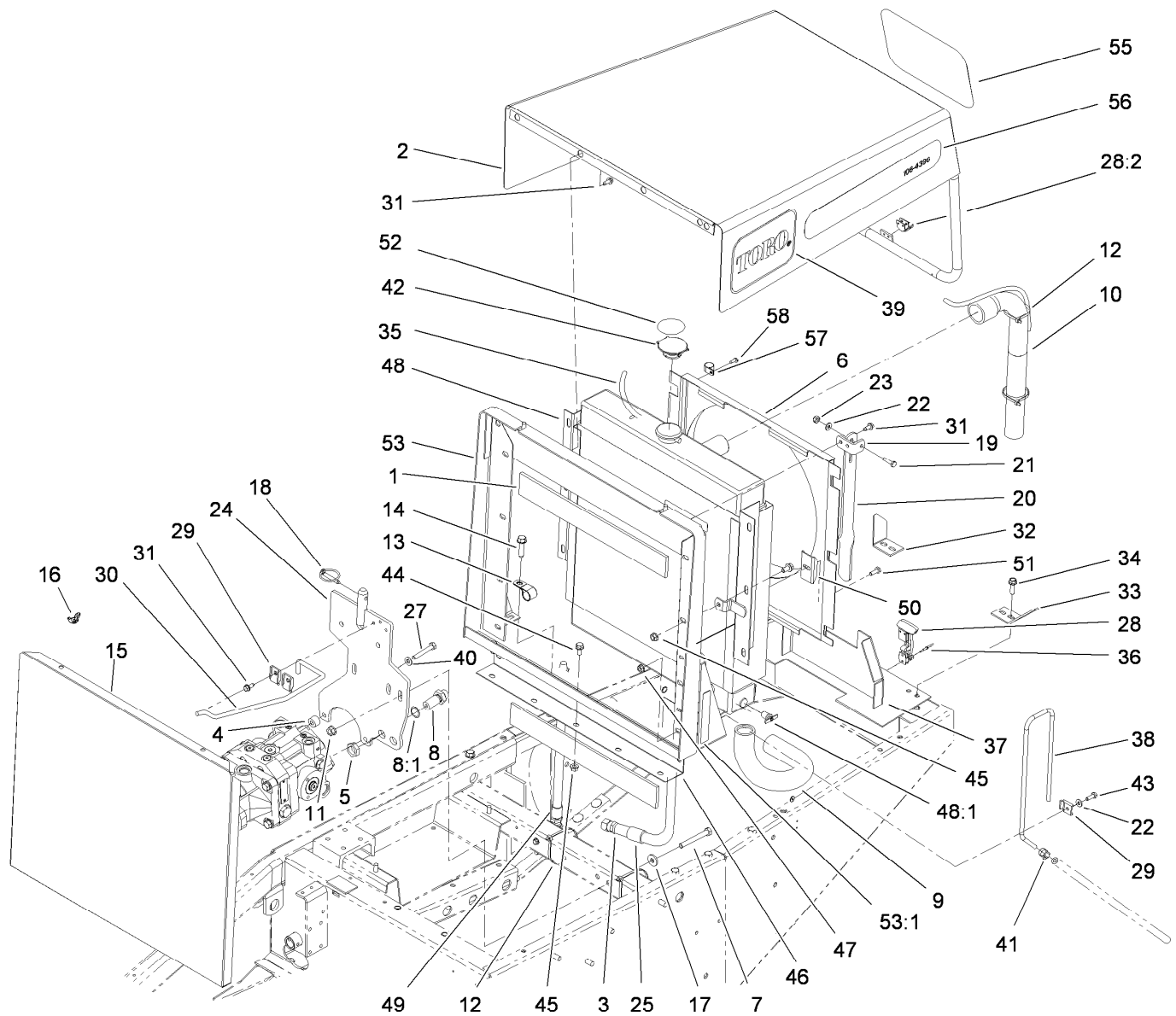
● Not serviced separately



## Valve Assembly No. 106-8071-01

Ref.	Part Number	Qty.	Description
1		1	Body ●
2	22-8370	2	Seat-Valve
3	22-8500	2	O-Ring
4	105-7826	1	Spool
5	22-8380	1	Retainer
6	22-8400	1	Spacer
7	22-8390	1	Retainer
8	22-8410	1	Spring
9	22-8480	1	Ring-Snap
10	22-8490	1	Ring-Snap
11	22-8360	2	Pin
12	22-8350	2	Ball
13	105-7827	2	Plug ASM
13:1	22-8330	1	Plug
13:2	22-8340	1	Spring
13:3	237-42	1	O-Ring
15	106-8070	1	Detent Barrel ASM
15:1		1	Barrel-Detent ●
15:2	106-8068	1	Plug-Dust
16	105-7829	2	Ball-Steel
17	105-7830	2	Spring
18	105-7831	2	Screw-Set
19	105-7832	1	Stud-Detent
20	105-7833	2	Screw-HSH

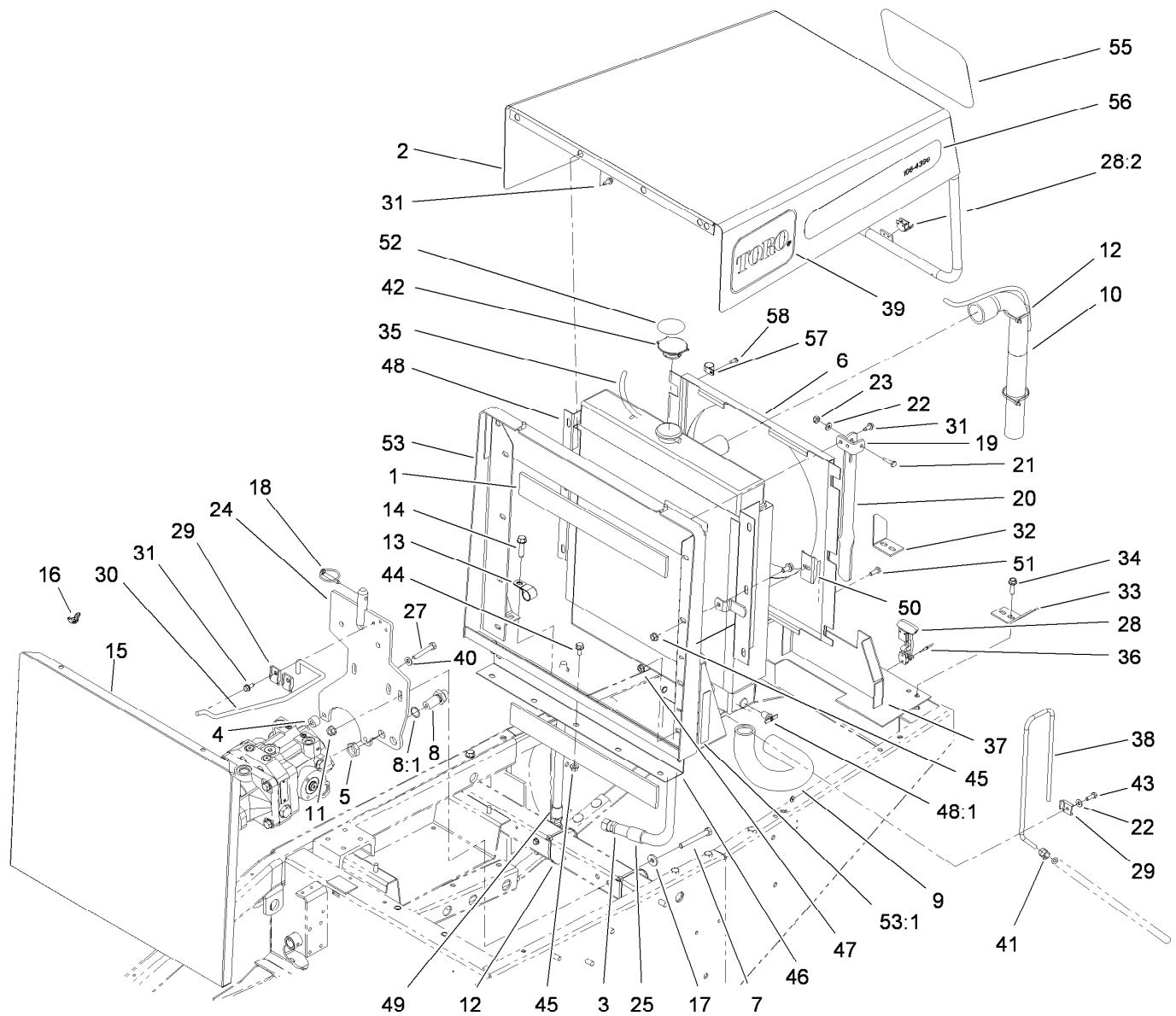
● Not serviced separately



## Radiator and Hood Assembly

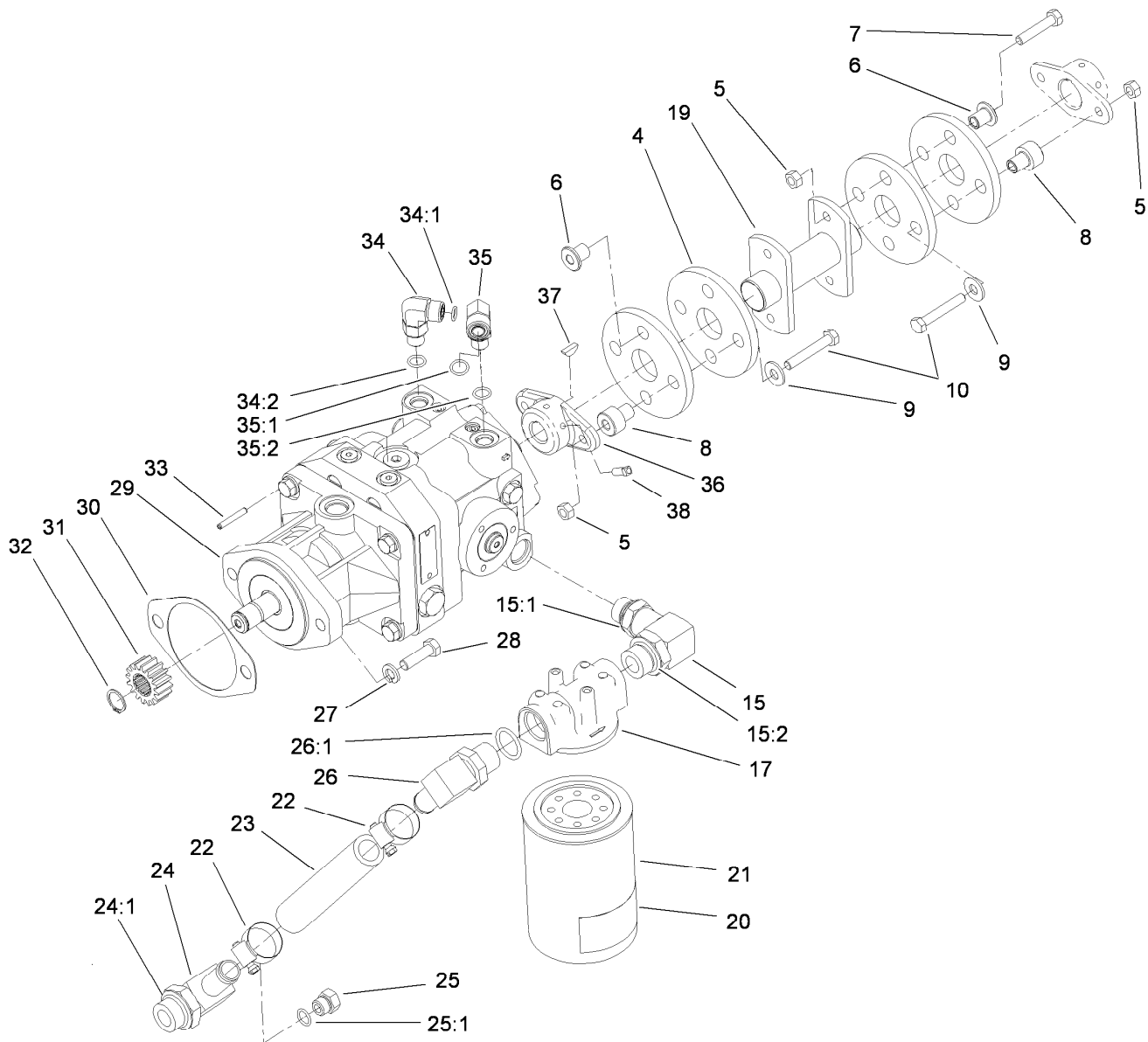
Ref.	Part Number	Qty.	Description	Ref.	Part Number	Qty.	Description
1	43-3320	2	Foam-Radiator	21	321-6	1	Screw-HH
2	105-2919	1	Hood ASM	22	3256-22	3	Washer-Flat
3	119-4791	1	Hose ASM	23	3296-16	1	Nut-Lock, NI
4	119-4799	2	Spacer	24	119-4782-01	1	Support Bracket ASM
5	340-70	2	Nut-Lock	25	38-3400	1	Guard-Rubber
6	105-0007-03	1	Fan Shroud ASM	27	322-11	2	Screw-HH
7	323-14	3	Screw-HH	28	59-9740	1	Flex Draw Latch ASM
8	340-71	2	Fitting-Straight, Bulkhead	28:2	249-40	1	Keeper
8:1	237-22	2	O-Ring	29	3-6657	4	Clip-Skid
9	104-3432	1	Hose-Radiator, Bottom	30	86-7040	1	Rod-Prop, Seat
10	104-3433	1	Hose-Radiator, Top	31	32144-10	7	Screw-HWH
11	32128-21	3	Nut-HF	32	62-3010-01	1	Bracket-RH
12	3290-379	4	Tie-Cable	33	62-3020-01	1	Bracket-LH
13	2412-4	1	Clamp	34	3234-17	4	Screw-HHF
14	11-0590	1	Screw-HWHTF	35	110-4109	1	Hose-Fuel
15	67-9030-03	1	Grille ASM	36	3290-55	4	Rivet-Pop
16	32103-2	2	Nut-Wing	37	105-4255-01	1	Pulley Guard ASM
17	5-0838	3	Washer	38	105-4265	1	Tube-Vent
18	283-76	1	Pin-Lynch	39	62-7400	2	Decal
19	84-5330	1	Bracket-Prop, Hood	40	3256-23	2	Washer-Flat
20	84-5380	1	Strap-Prop, Hood	41	2412-108	1	Clamp-Worm





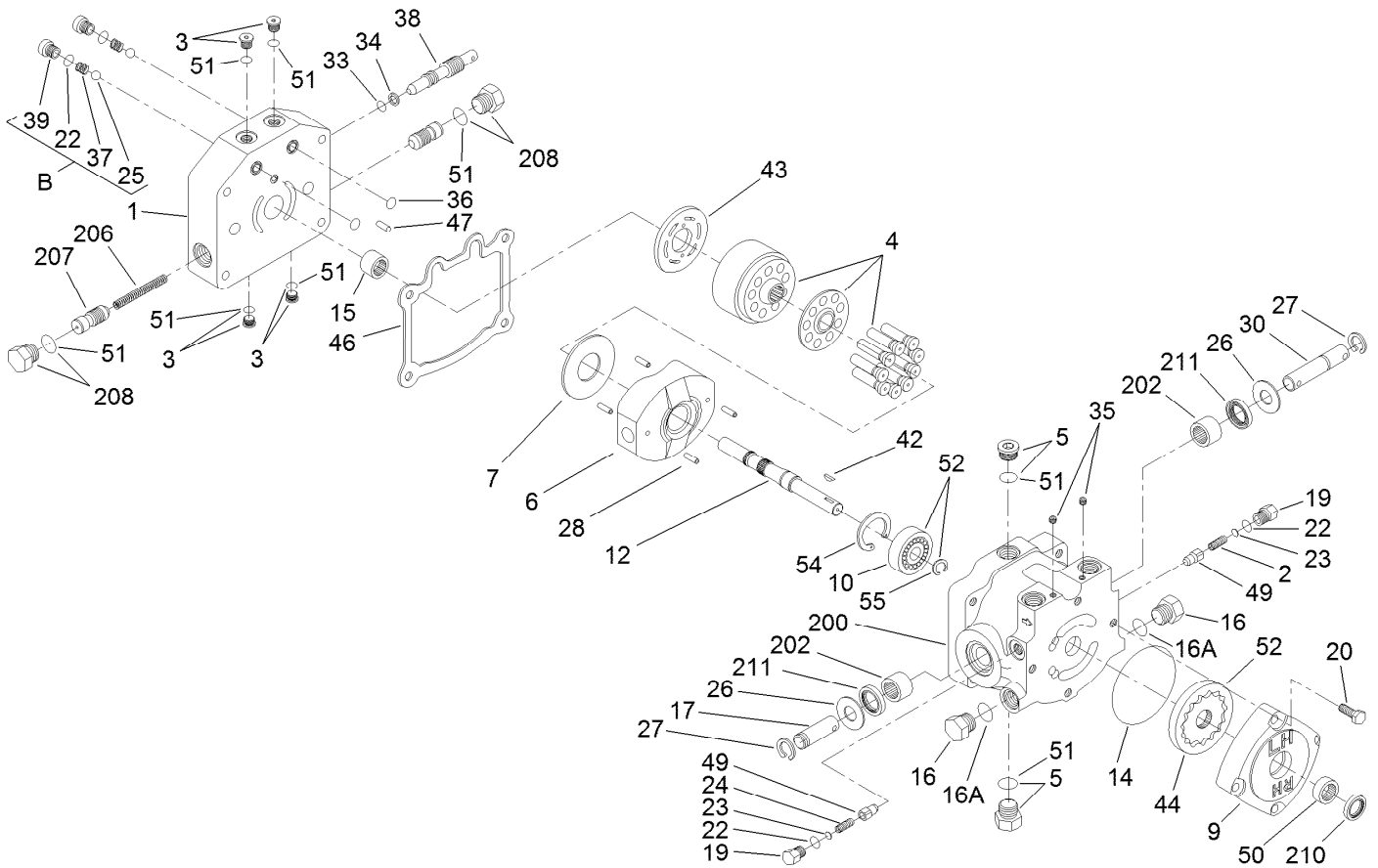
## Radiator and Hood Assembly (continued)

<i>Ref.</i>	<i>Part Number</i>	<i>Qty.</i>	<i>Description</i>	<i>Ref.</i>	<i>Part Number</i>	<i>Qty.</i>	<i>Description</i>
42	66-3240	1	Cap-Radiator	50	105-0012-03	6	Clip-Mounting, Fan Shroud
43	321-4	2	Screw-HH	51	3234-33	6	Screw-HHF
44	3234-14	13	Screw-HHF	52	106-5976	1	Decal-Warning
45	32128-20	13	Nut-HF	53	105-2918	1	Radiator Support ASM
46	105-4264-03	1	Grill-Plate, Sealing	53:1	77-3100	3	Decal-Warning
47	32128-33	2	Nut-HF	55	66-6140	1	Decal
48	108-8699	1	Radiator ASM	56	106-4396	2	Decal
48:1	304-46	1	Draincock	57	2412-83	1	Clamp-Cable
49	63-8960	1	Hose	58	32144-1	1	Screw-Taptite



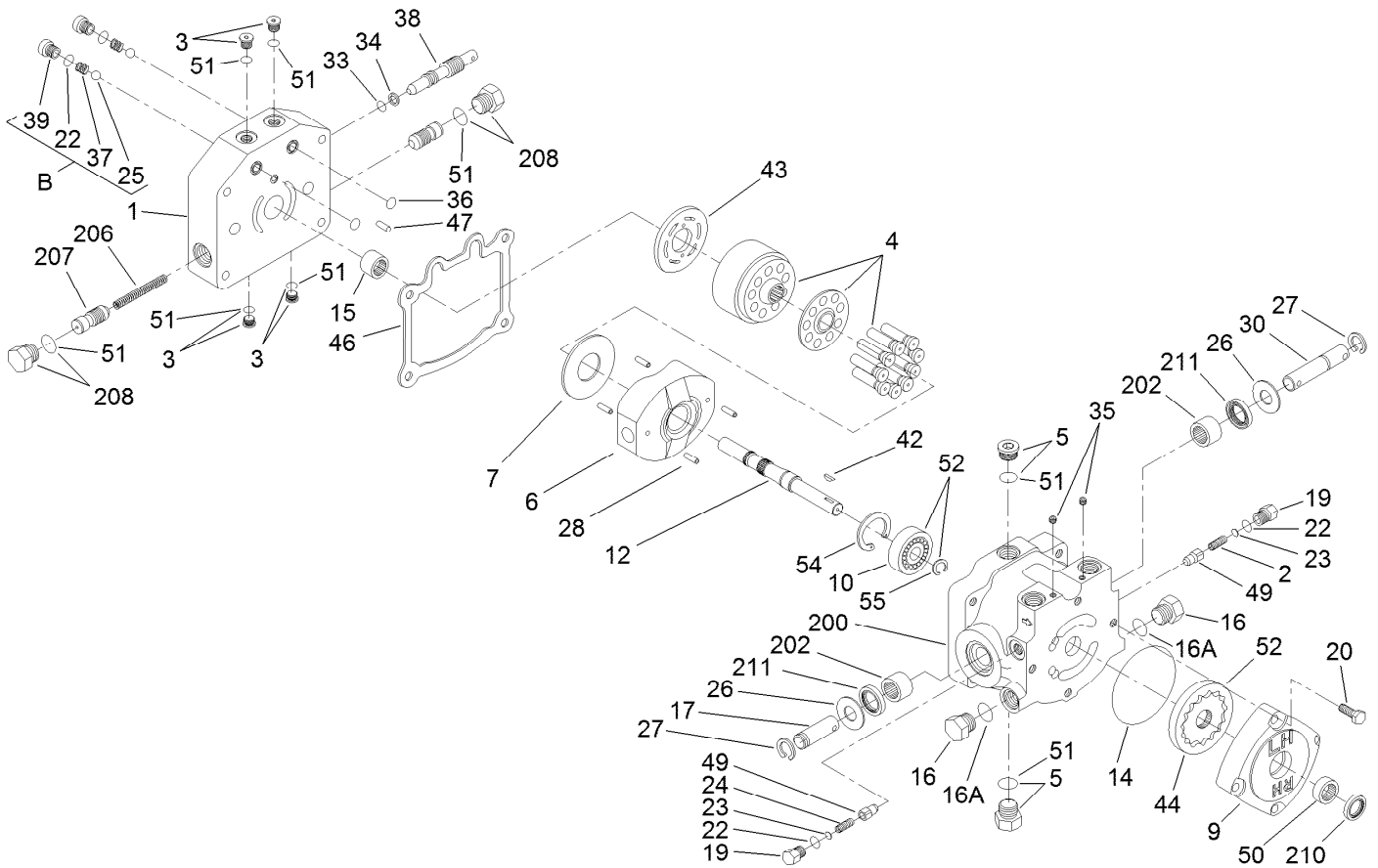
## Hydrostatic Transmission Assembly

Ref.	Part Number	Qty.	Description	Ref.	Part Number	Qty.	Description
4	115-4523	4	Coupling-Rubber	26	353-987	1	Fitting-HYD, 90 DEG (Barbed)
5	32152-1	8	Nut-Lock, Cone	26:1	237-81	1	O-Ring
6	71-4411	4	Spacer	27	3253-21	2	Washer-Lock
7	322-8	4	Screw-HH	28	323-29	2	Screw-HH
8	71-4410	4	Spacer	29	119-2880	1	Transmission ASM
9	3256-3	4	Washer-Flat	30	41-8760	1	Gasket
10	322-10	4	Screw-HH	31	86-7220	1	Gear-Pinion
15	68-8660	1	Fitting-HYD, 90 DEG	32	32120-72	1	Ring-Snap
15:1	237-80	1	O-Ring	33	32121-6	1	Pin-Roll, Slotted
15:2	237-81	1	O-Ring	34	340-77	1	Fitting-HYD, 90 DEG
17	68-8990	1	Filter Head ASM	34:1	237-22	1	O-Ring
19	105-0033-03	1	Drive Shaft ASM	34:2	237-42	1	O-Ring
20	93-7816	1	Decal-Filter	35	340-99	1	Fitting-HYD, 90 DEG
21	23-9740	1	Filter-Oil	35:1	237-30	1	O-Ring
22	2412-129	2	Clamp-Hose	35:2	237-42	1	O-Ring
23	68-9650	1	Hose-Axle	36	110-9695	1	Hub-Pump
24	70-2620	1	Fitting-HYD, 90 DEG	37	3257-32	1	Key-Woodruff
24:1	237-81	1	O-Ring	38	3241-5	2	Screw-Set
25	353-508	1	Plug-HH				
25:1	237-42	1	O-Ring				



## Transmission Pump Assembly

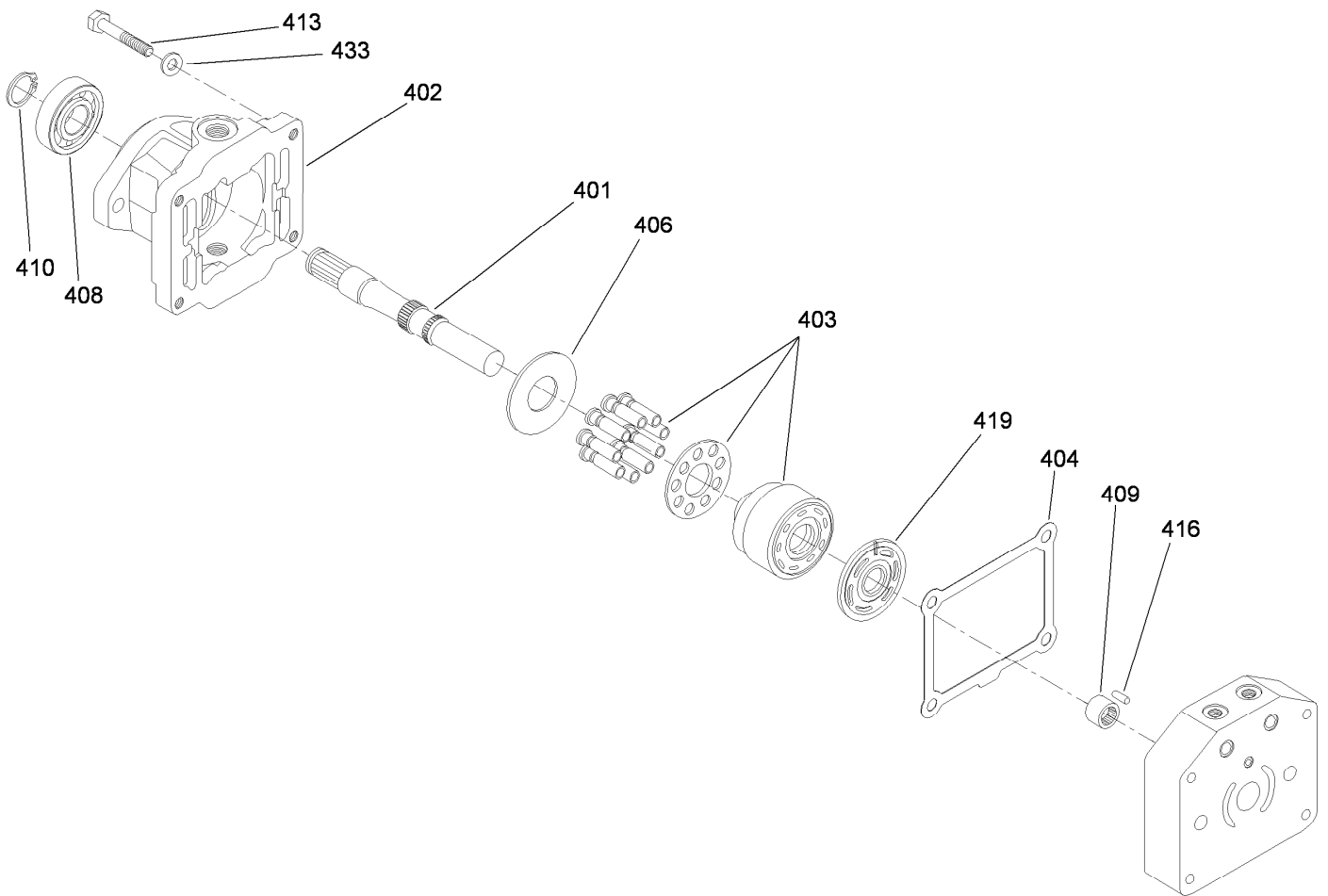
Ref.	Part Number	Qty.	Description	Ref.	Part Number	Qty.	Description
B	99-5689	1	Check Valve Kit	25	25-2490	2	Ball
1	92-8918	1	Section-Center	26	25-2510	2	Washer-Flat
2	25-2570	1	Spring-Valve	27	32151-46	2	Ring-Retaining
3	75-0170	4	Plug-Thread, Straight	28	32121-91	4	Pin-Spring
4	48-1800	1	Cylinder Block Kit	30	25-2580	1	Shaft-Trunnion
5	67-9090	2	Plug ASM	33	237-22	1	O-Ring
6	25-2450	1	Plate-Swash, Variable	34	25-2630	1	Ring-Back Up
7	25-2380	1	Plate-Thrust	35	285-17	4	Plug-Pipe
9	119-2874	1	Housing-Charge Pump	36	112-7652	2	O-Ring
10	95-5809	1	Bearing-Ball	37	25-2640	2	Spring-Valve
12	117-6999	1	Shaft-Pump	38	88-8220	1	Valve-By Pass
14	237-95	1	O-Ring	39	25-2650	2	Plug-Valve, Check
15	46-8400	1	Bearing-Shaft	42	3257-32	1	Key-Woodruff
16	353-551	2	Plug-HH	43	25-2440	1	Plate-Valve, Pump
16A	237-80	2	O-Ring	44	95-5812	1	Gerotor ASM
17	25-2500	1	Shaft-Trunnion	46	25-2400	1	Gasket
19	25-2460	2	Plug-HH	47	25-2430	1	Pin-Dowel
20	322-4	4	Screw-HH	49	83-7260	2	Cone-Relief, Charge
22	237-86	4	O-Ring	50	67-8050	1	Bearing-Needle
23	25-2470	2	Pack-Shim	51	117-6992	1	Overhaul Seal Kit
24	25-2480	1	Spring-Valve	52	119-2873	1	Charge Pump Kit



## Transmission Pump Assembly (continued)

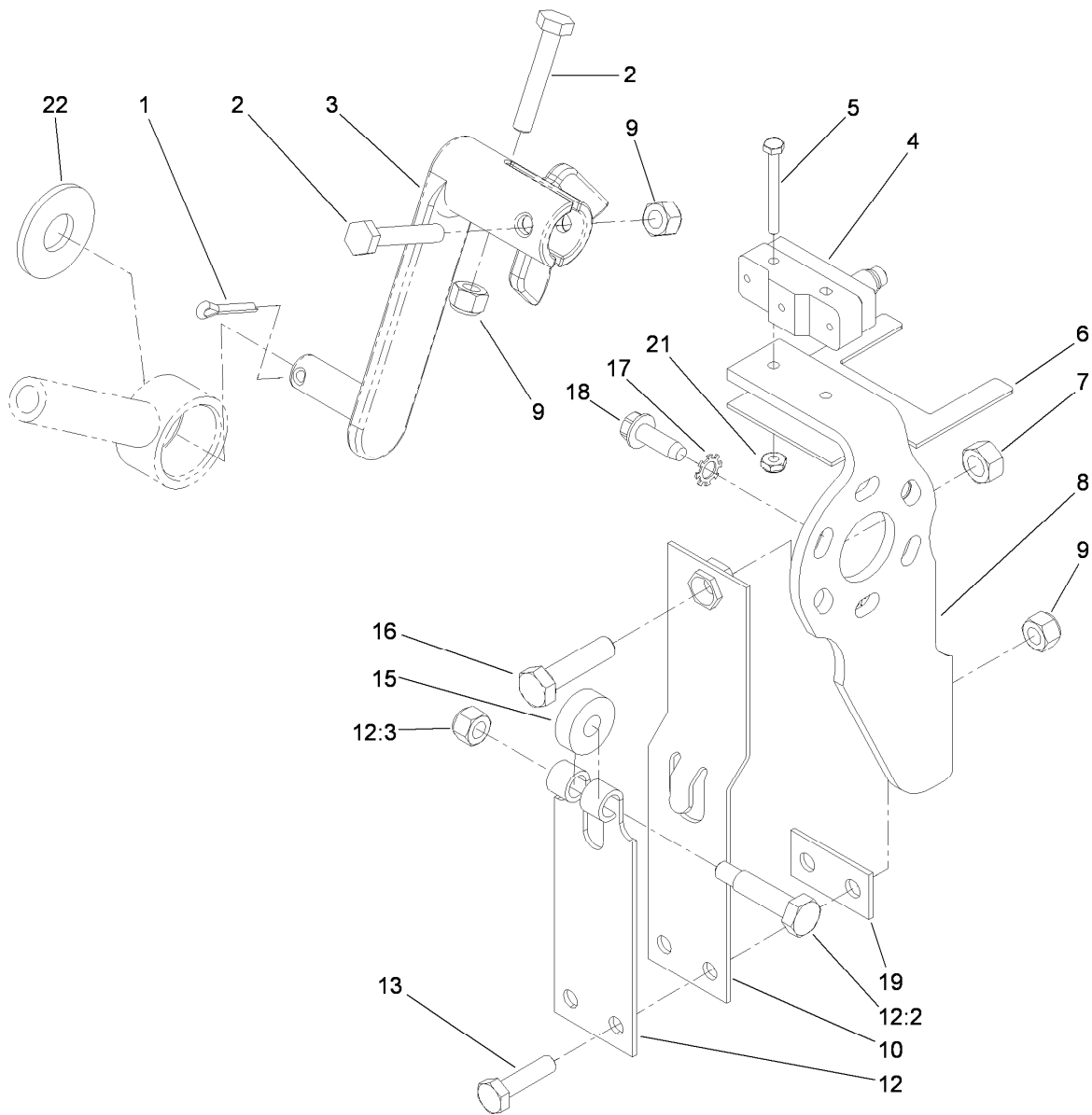
<i>Ref.</i>	<i>Part Number</i>	<i>Qty.</i>	<i>Description</i>
54	32151-75	1	Ring-Retaining
55	32151-83	1	Ring-Snap
200	117-2701	1	Housing
202	252-82	2	Bearing-Needle
206	25-2610	1	Spring-Valve

<i>Ref.</i>	<i>Part Number</i>	<i>Qty.</i>	<i>Description</i>
207	25-2410	2	Valve ASM
208	353-550	2	Plug-HYD, HH
210	93-4133	1	Seal-Lip
211	25-3210	2	Seal-Lip



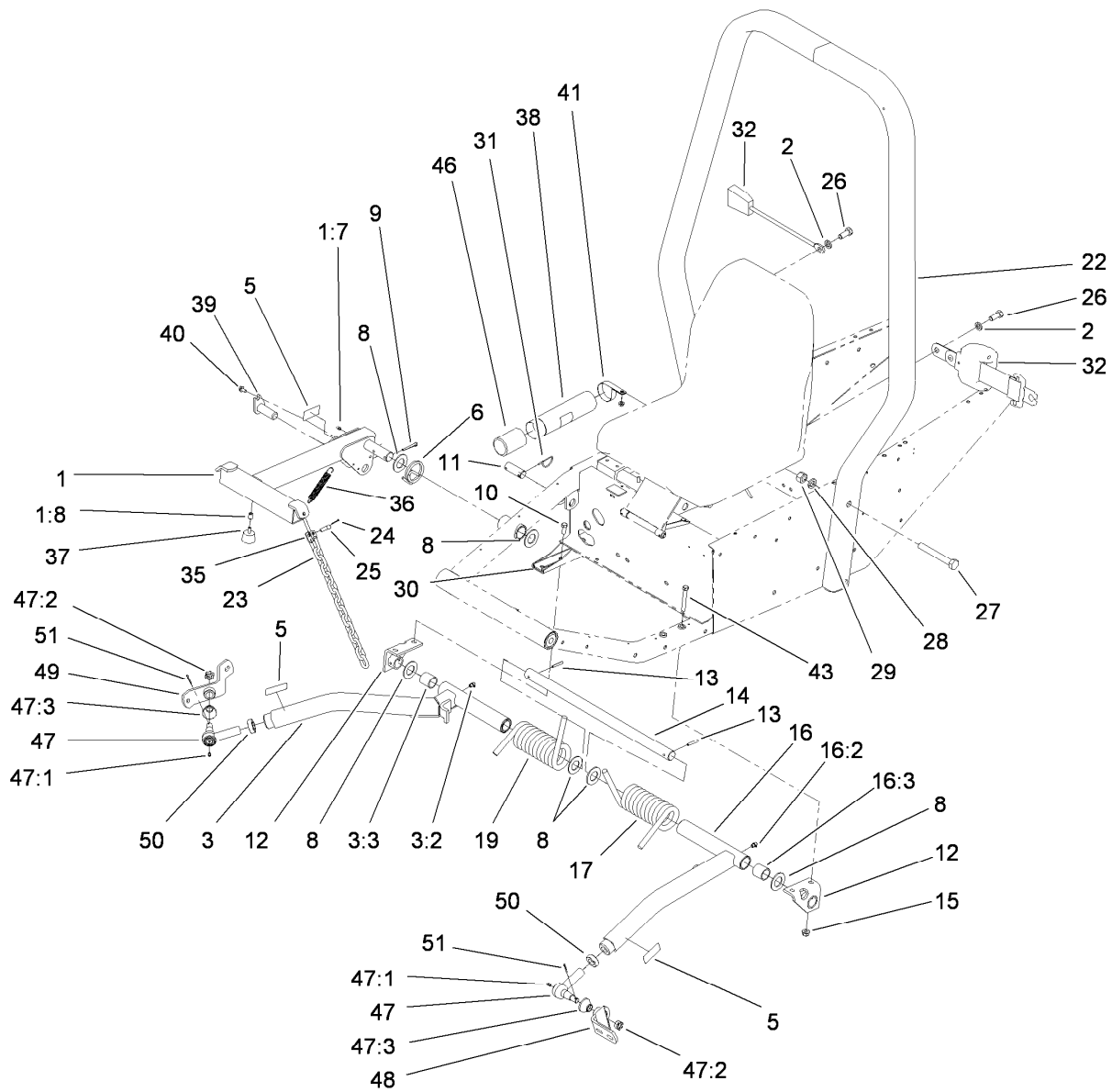
## Transmission Motor Assembly

<i>Ref.</i>	<i>Part Number</i>	<i>Qty.</i>	<i>Description</i>
401	46-8410	1	Shaft-Motor
402	67-9080	1	Housing-Motor
403	48-1800	1	Cylinder Block Kit
404	67-9100	1	Gasket
406	25-2380	1	Plate-Thrust
408	72-3750	1	Bearing-Roller
409	46-8400	1	Bearing-Shaft
410	32120-8	1	Ring-Snap
413	323-56	4	Screw-HH
416	25-2430	1	Pin-Dowel
419	25-2390	1	Plate-Valve, Motor
433	93-0312	4	Washer-Hardened



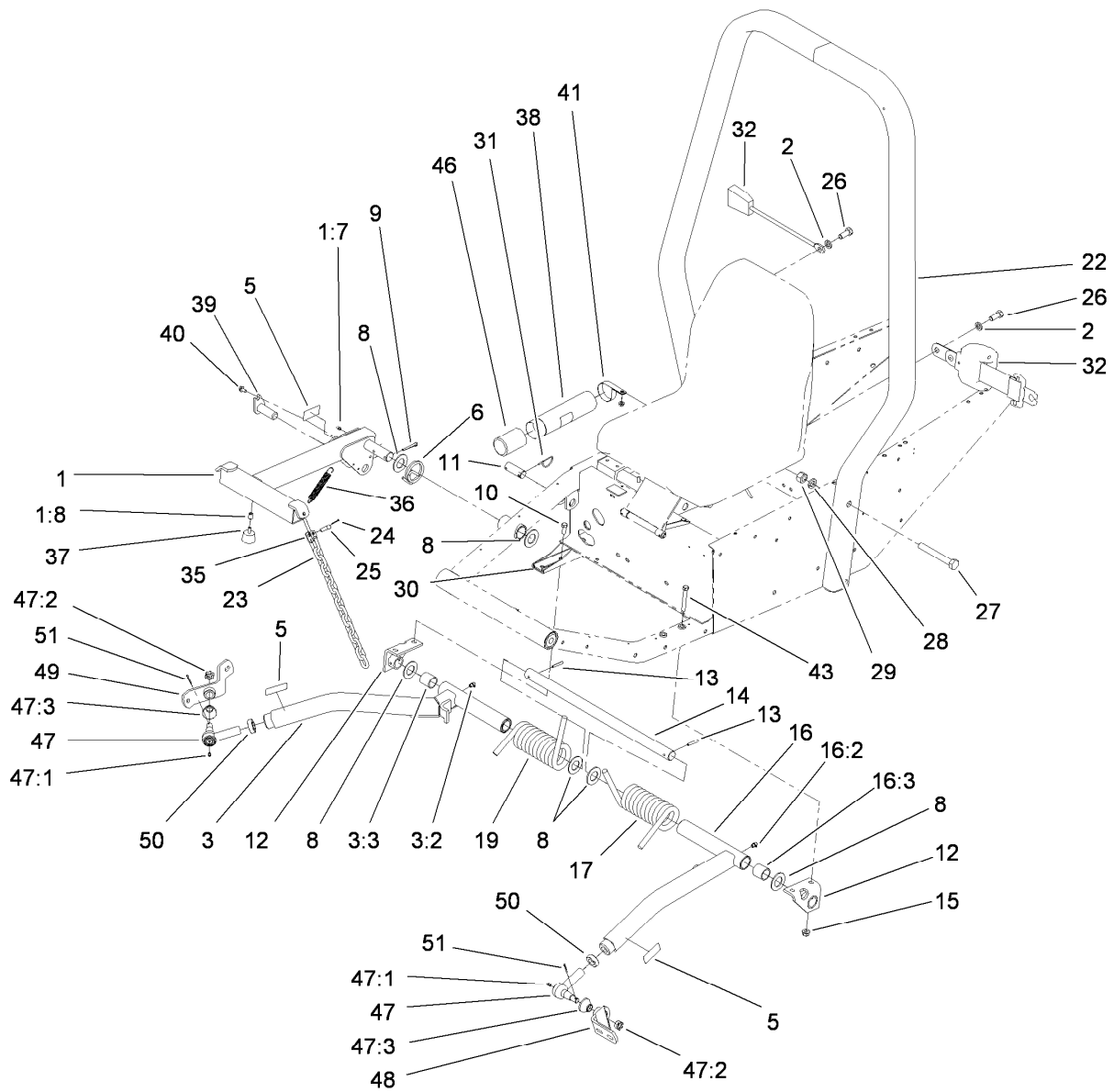
## Neutral Centering Device Assembly

<i>Ref.</i>	<i>Part Number</i>	<i>Qty.</i>	<i>Description</i>	<i>Ref.</i>	<i>Part Number</i>	<i>Qty.</i>	<i>Description</i>
1	3272-10	1	Pin-Cotter	12:2	36-2250	1	Bolt-Shoulder
2	321-9	2	Screw-HH	12:3	3296-42	1	Nut-Lock, NI
3	115-6668	1	Lever-Pump	13	321-6	2	Screw-HH
4	29-6163	1	Switch-Micro	15	251-259	1	Bearing-Ball
5	32105-21	2	Screw-HH	16	3210-7	1	Screw-HH
6	46-8810	1	Stop-Spring, Leaf	17	3255-7	3	Washer-Lock/EXT
7	3219-2	1	Nut-Hex	18	49-2040	3	Screw-HWHTF
8	29-6120-03	1	Pump Plate ASM	19	51-3150	1	Shim-Arm, Spring
9	3296-42	4	Nut-Lock, NI	21	3296-9	2	Nut-Lock
10	29-6170	1	Extended Leaf Spring ASM	22	3256-6	1	Washer-Flat
12	110-9650	1	Leaf Spring ASM				



## Push Arm and Roll-Over Protection System Assembly

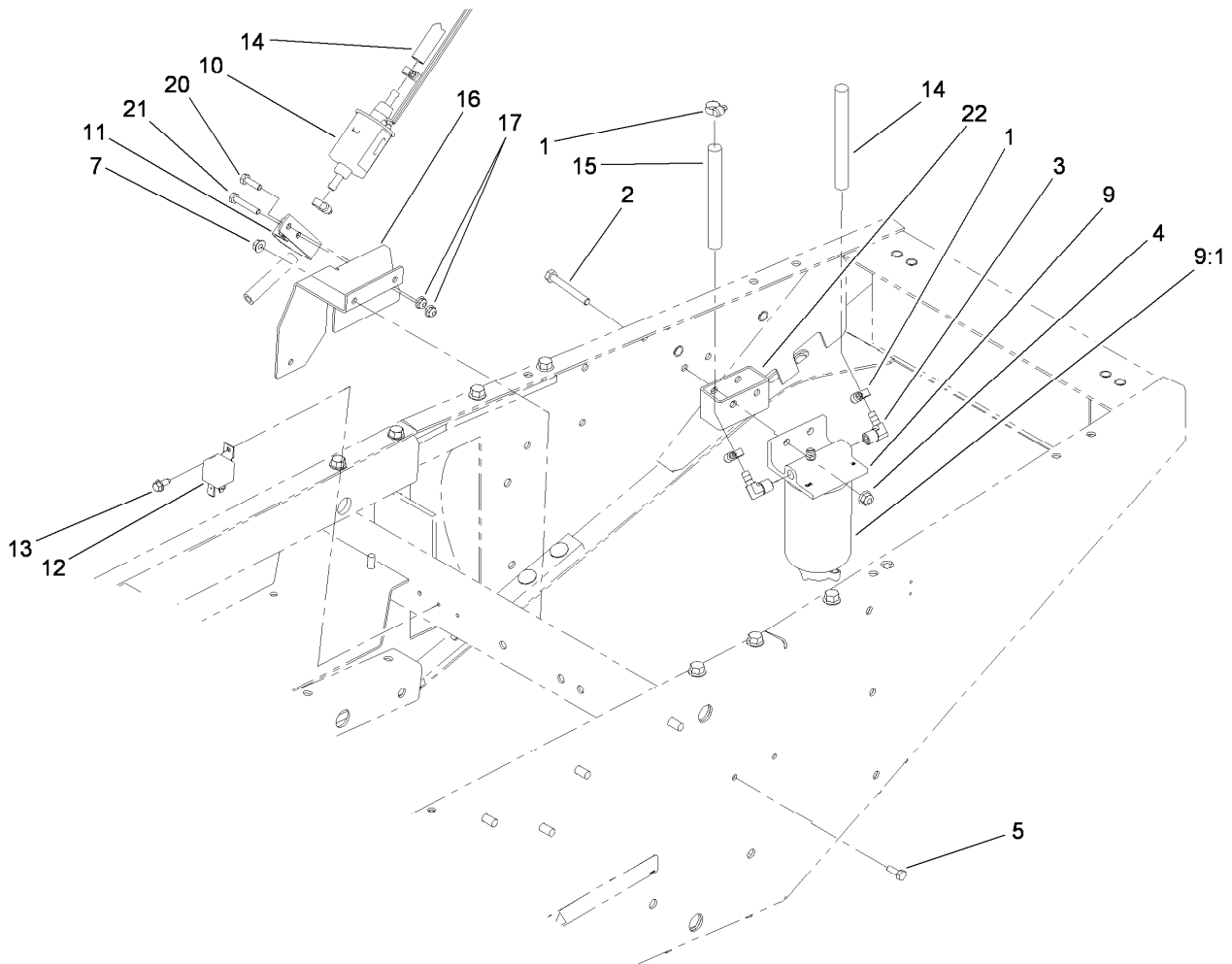
Ref.	Part Number	Qty.	Description	Ref.	Part Number	Qty.	Description
1	66-6370	1	Lift Arm ASM	16:3	256-126	2	Bushing
1:7	302-5	1	Fitting-Grease	17	105-9550-01	1	Spring-Torsion, LH (Light)
1:8	3290-472	1	Insert-Threaded	17	21-2900-01	1	Spring-Torsion, LH
2	3253-6	2	Washer-Lock	19	21-2890-01	1	Spring-Torsion, RH
3	66-7150	1	Arm-Push, RH	22	99-1299-03	1	ROPS-2 Post
3:2	302-33	1	Fitting-Grease	23	3-1365	3	Chain
3:3	256-126	2	Bushing	24	3272-10	6	Pin-Cotter
5	55-4300	3	Decal-Warning	25	283-10	6	Pin-Clevis
6	46-8840-01	1	Spring-Lift Arm	26	3212-4	2	Screw-HH
8	5-1754	6	Washer-Flat	27	328-12	4	Screw-HH
9	3272-33	1	Pin-Cotter	28	3253-9	4	Washer-Lock
10	110-9672	2	Screw-HH	29	3217-12	4	Nut-Hex
11	3-7292	1	Pin-Clevis	30	23-1950-01	1	Support-Reinforcement
12	21-2860-01	2	Push Arm Bracket ASM	31	5-3126	1	Pin-Lynch
13	32121-84	2	Pin-Spiral	32	100-4928	1	Belt-Seat
14	21-2990	1	Shaft-Pivot	35	5-2942	6	Shackle
15	117-6998	4	Nut-HF	36	21-1830	1	Spring-Extension
16	21-2960	1	Arm-Push, LH	37	68-3270	1	Bumper-Rubber
16:2	302-33	1	Fitting-Grease	38	104-7050	1	Tube-Manual



## Push Arm and Roll-Over Protection System Assembly (continued)

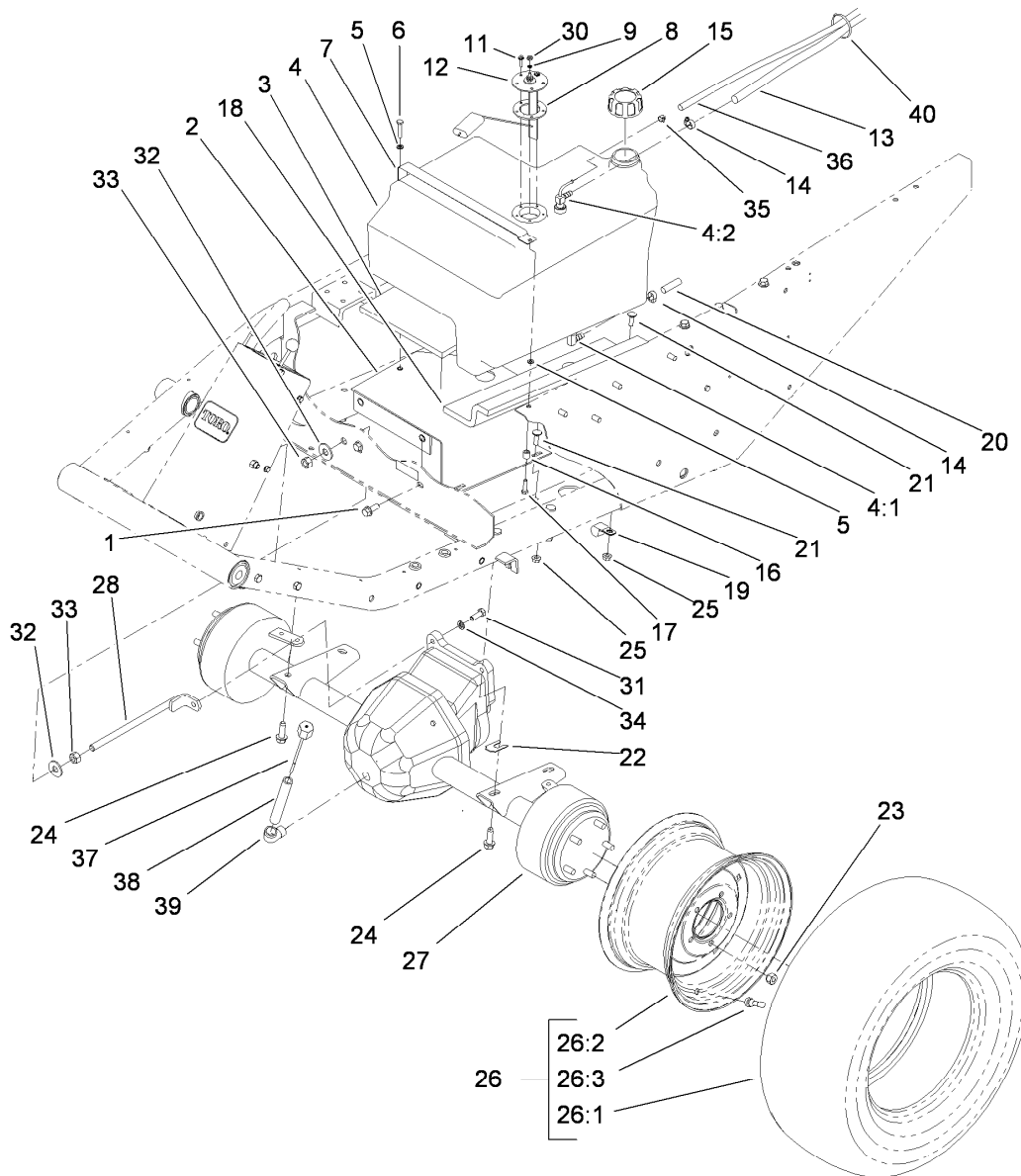
<i>Ref.</i>	<i>Part Number</i>	<i>Qty.</i>	<i>Description</i>	<i>Ref.</i>	<i>Part Number</i>	<i>Qty.</i>	<i>Description</i>
39	115-4549	1	Flag Pin ASM	47:2	32136-2	1	Nut-SHH
40	32144-14	1	Screw-HWHTF	47:3	114-2874	1	Seal-Ball Joint
41	2412-133	2	R-Clamp	48	21-3050-01	1	LH Ball Jount Mount ASM
43	110-9673	2	Screw-HH	49	21-3020-01	1	Mount-Balljoint, RH
46	104-7048	1	Cap-Housing	50	21-3000	2	Nut-HJ
47	86-8100	2	Joint-Ball	51	3272-11	2	Pin-Cotter
47:1	302-5	1	Fitting-Grease				





## Fuel Filter Assembly

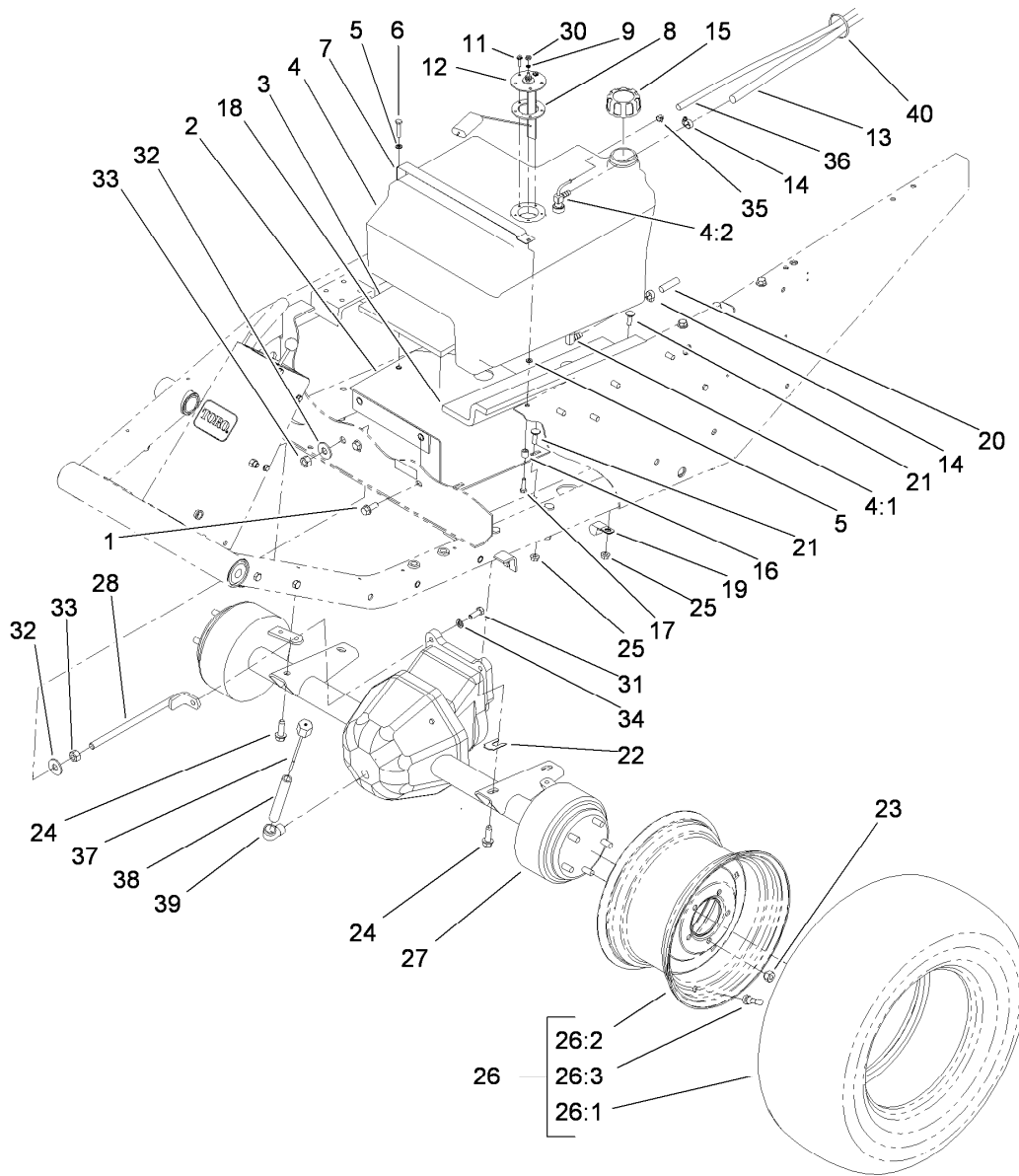
<i>Ref.</i>	<i>Part Number</i>	<i>Qty.</i>	<i>Description</i>
1	2412-108	5	Clamp-Worm
2	322-12	2	Screw-HH
3	353-781	2	Fitting-Elbow
4	104-8300	2	Nut-Flange, NI
5	321-4	2	Screw-HH
7	32128-33	2	Nut-HF
9	110-9044	1	Filter-Seperator
9:1	110-9049	1	Filter-Spin On
10	110-8806	1	Pump-Fuel
11	110-8817	1	Bracket-Pump, Fuel
12	99-7435	1	Relay-Power
13	32144-1	1	Screw-Taptite
14	110-7503	1	Hose-Fuel
15	110-4124	1	Hose-Fuel
16	115-0608-03	1	Bracket-Pump, Fuel
17	104-7201	2	Nut-HF
20	321-5	1	Screw-HH
21	321-9	1	Screw-HH
22	115-0607-03	1	Bracket-Pump, Fuel



## Fuel Tank and Front Axle Assembly

Ref.	Part Number	Qty.	Description	Ref.	Part Number	Qty.	Description
1	3234-11	2	Screw-HHF	19	2412-4	1	Clamp
2	68-9760	1	Fuel Tank Base ASM	20	109-0274	1	Hose-Fuel
3	21-3600	1	Foam-Support, Tank	21	3230-2	3	Bolt-CARR
4	115-4519	1	Fuel Tank ASM	22	42-6080	1	Shim-Axle
4:1	115-4518	1	Pipe-Stand	23	23-7270	10	Nut-Wheel
4:2	43-4160	1	Fitting-Return And Vent	24	3234-15	4	Screw-HHF
5	3253-3	2	Washer-Lock	25	32128-20	3	Nut-HF
6	32104-96	1	Screw-HH	26		2	Wheel And Tire ASM ●
7	37-9550	1	Strap-Tank, Fuel	26:1	95-3348	1	Tire
8	62-7650	1	Gasket	26:2	217-117	1	Wheel
9	3253-17	1	Washer-Lock	26:3	232-27	1	Stem-Valve
11	32144-53	5	Screw-SHWH, Thd Form	27	86-9600-03	1	Axle ASM
12	105-2563	1	Sender-Fuel	28	24-9830-01	1	Axle Support ASM
13	110-4109	1	Hose-Fuel	30	3219-14	1	Nut-Hex
14	2412-108	2	Clamp-Worm	31	323-6	1	Screw-HH
15	55-3572	1	Fuel Cap ASM	32	3256-6	2	Washer-Flat
16	22-7810	1	Spacer	33	3217-9	2	Nut-HH
17	321-6	1	Screw-HH	34	3253-21	1	Washer-Lock
18	21-3610	1	Foam-Support, Tank	35	2412-80	2	Clamp-Line, Fuel

● Not serviced separately

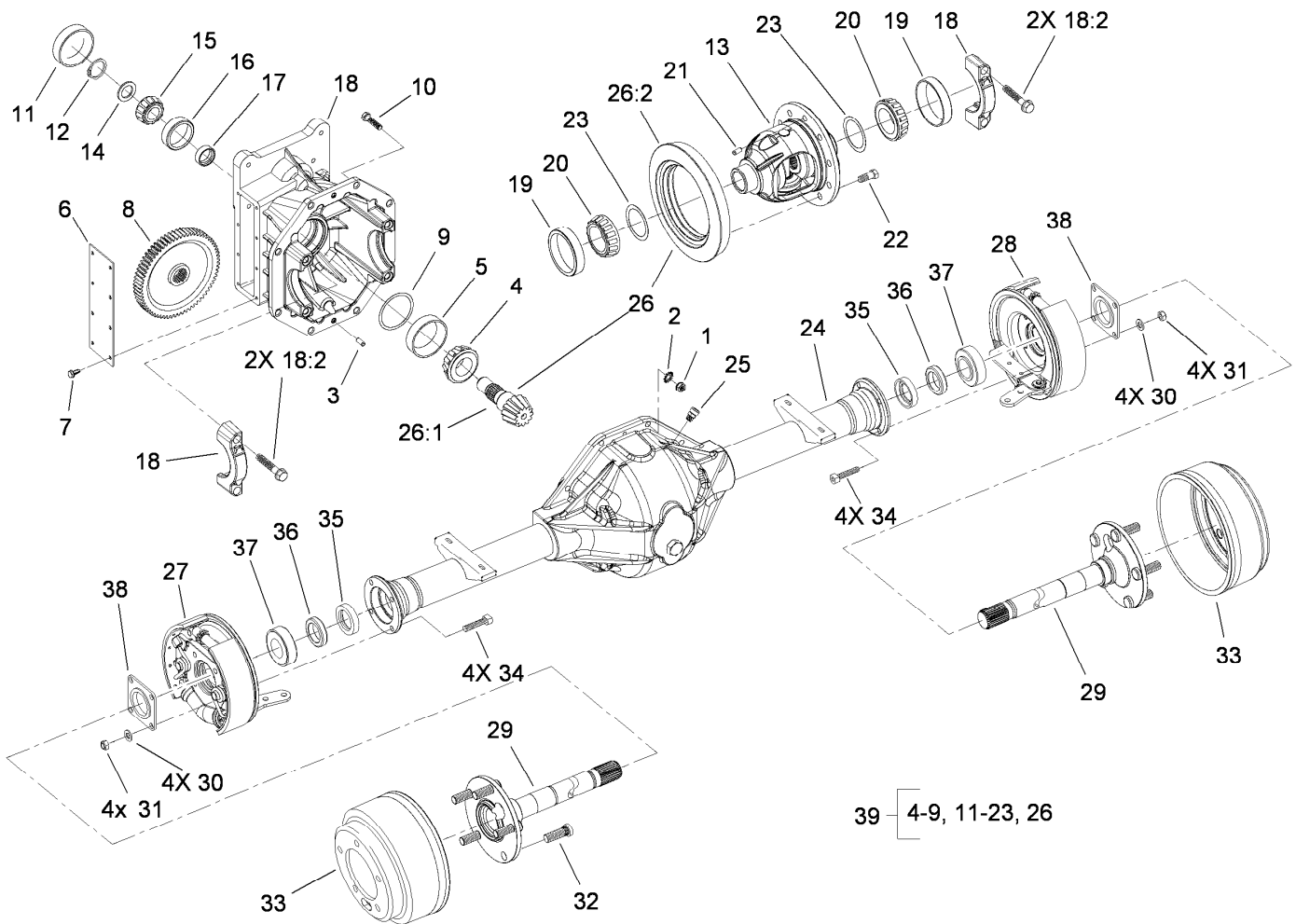


## Fuel Tank and Front Axle Assembly (continued)

Ref.	Part Number	Qty.	Description
36	110-5688	1	Hose-Fuel
37	23-5180	1	Dipstick ASM
38	289-37	1	Nipple-Pipe

Ref.	Part Number	Qty.	Description
39	2811-9	1	Fitting-Elbow, Street
40	3290-379	1	Tie-Cable

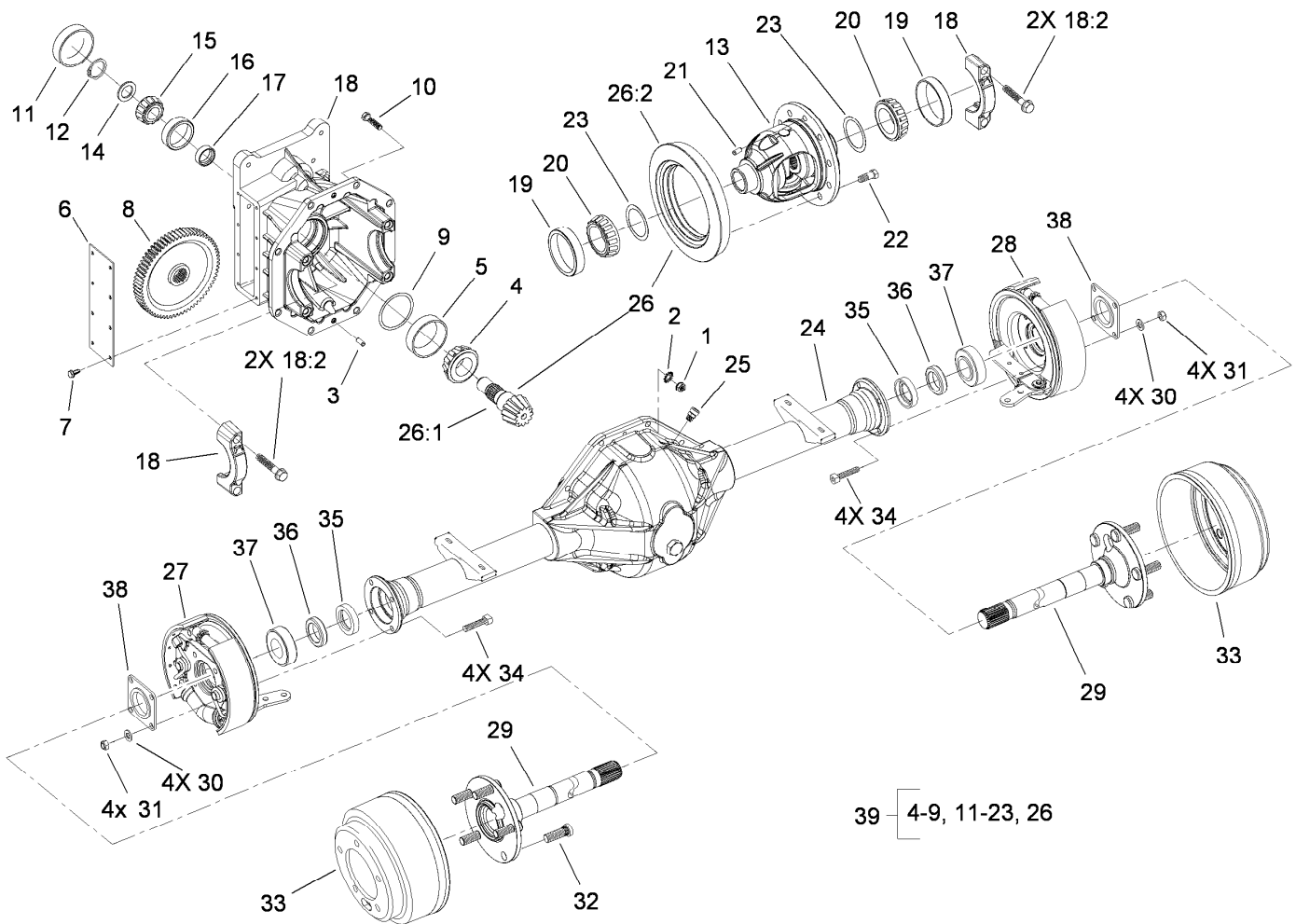
● Not serviced separately



## Front Axle Assembly No. 86-9600-03

Ref.	Part Number	Qty.	Description	Ref.	Part Number	Qty.	Description
1	3219-2	8	Nut-Hex	14	46-2223	1	Shim-Front Bearing, .051
2	3255-8	8	Washer-Lock	14	46-2224	1	Shim-Front Bearing, .053
3	21-8270	2	Pin-Dowel	14	46-2225	1	Shim-Front Bearing, .055
4	43-6760	1	Bearing-Roller, Cone Taper	14	46-2226	1	Shim-Front Bearing, .057
5	43-6750	1	Bearing-Taper, Cup	15	254-91	1	Cone-Bearing
6	21-7830	1	Cover-Gear	16	254-90	1	Bearing-Cup
7	32144-112	8	Screw-HWH	17	21-8020	1	Spacer-Bearing
8	86-7230	1	Gear-Input, Transmission	18	86-9580	1	Upper Housing Sub ASM
9	43-6710	1	Shim-Pinion (.003)	18:2	92-1773	4	Screw-HHF
9	43-6711	1	Shim-Pinion (.005)	19	254-66	2	Cup-Bearing, Roller
9	43-6712	1	Shim-Pinion (.010)	20	254-65	2	Bearing-Roller, Cone
9	43-6713	1	Shim-Pinion (.030)	21	32121-15	1	Pin-Roll
10	3210-7	8	Screw-HH	22	21-7770	5	Screw-Gear, Drive
11	21-7850	1	Plug-Cup	23	21-8090	1	Shim-Bearing, Differential (.003)
12	43-6550	1	Ring-Snap	23	21-8100	1	Shim-Bearing, Differential (.005)
13	110-4136	1	Differential Case ASM	23	21-8110	1	Shim-Bearing, Differential (.010)
14	46-2210	1	Shim-Bearing, Front	23	21-8120	1	Shim-Bearing, Differential (.030)
14	46-2211	1	Shim-Front Bearing, .033	24	43-6840	1	Housing-Lower
14	46-2212	1	Shim-Front Bearing, .035	25	72-9420	1	Vent
14	46-2213	1	Shim-Front Bearing, .037	26	92-4848	1	Gear And Pinion ASM
14	46-2214	1	Shim-Front Bearing, .039	26:1		1	Pinion-Drive ●
14	46-2215	1	Shim-Front Bearing, .041	26:2		1	Gear-Ring ●
14	46-2216	1	Shim-Front Bearing, .043				
14	46-2220	1	Shim-Front Bearing, .045				
14	46-2221	1	Shim-Front Bearing, .047				
14	46-2222	1	Shim-Front Bearing, .049				

● Not serviced separately

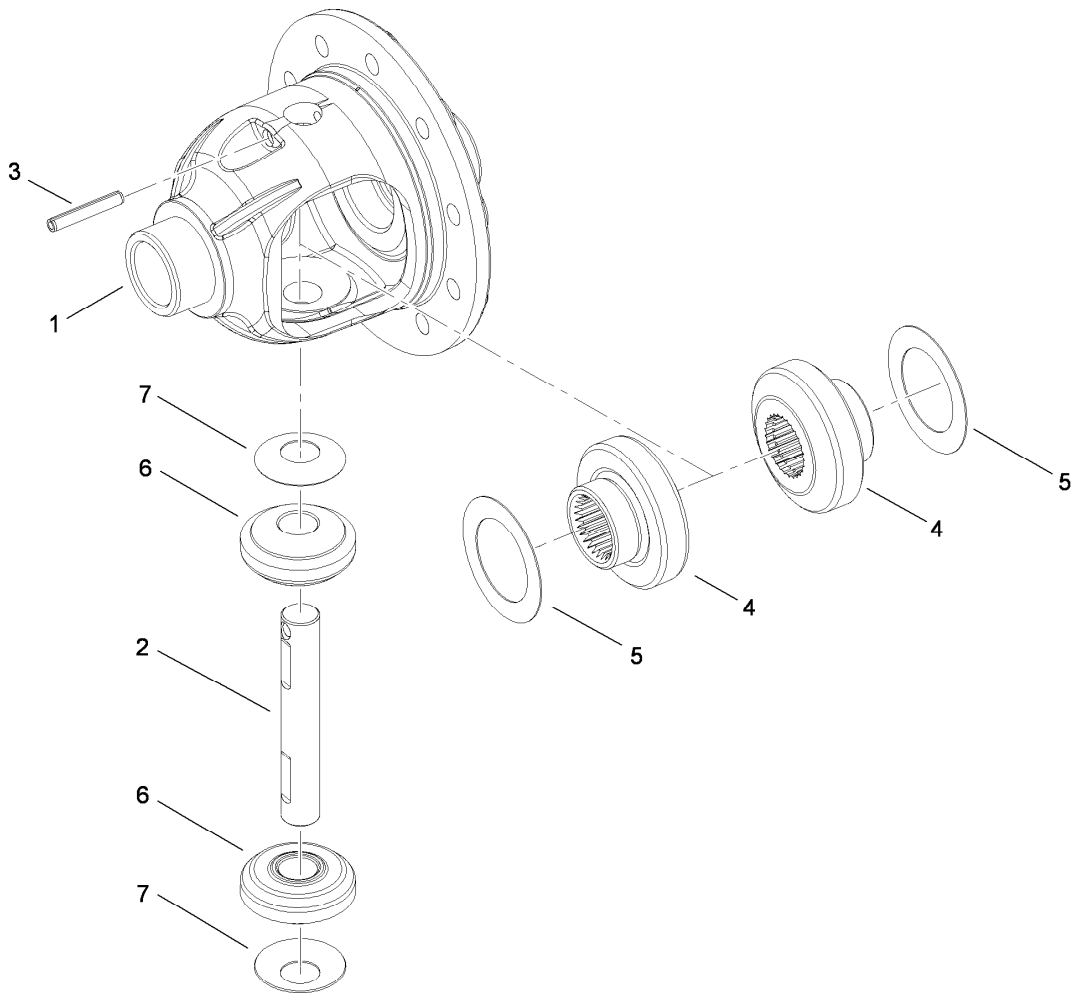


## Front Axle Assembly No. 86-9600-03 (continued)

Ref.	Part Number	Qty.	Description
27	84-8570	1	RH Brake ASM
28	84-8580	1	LH Brake ASM
29	28-0650	1	Shaft-Axle, Flanged
30	94-6936	8	Washer-Hardened
31	94-6935	8	Locknut
32	242-34	10	Stud-Drive
33	28-0680	2	Drum-Brake

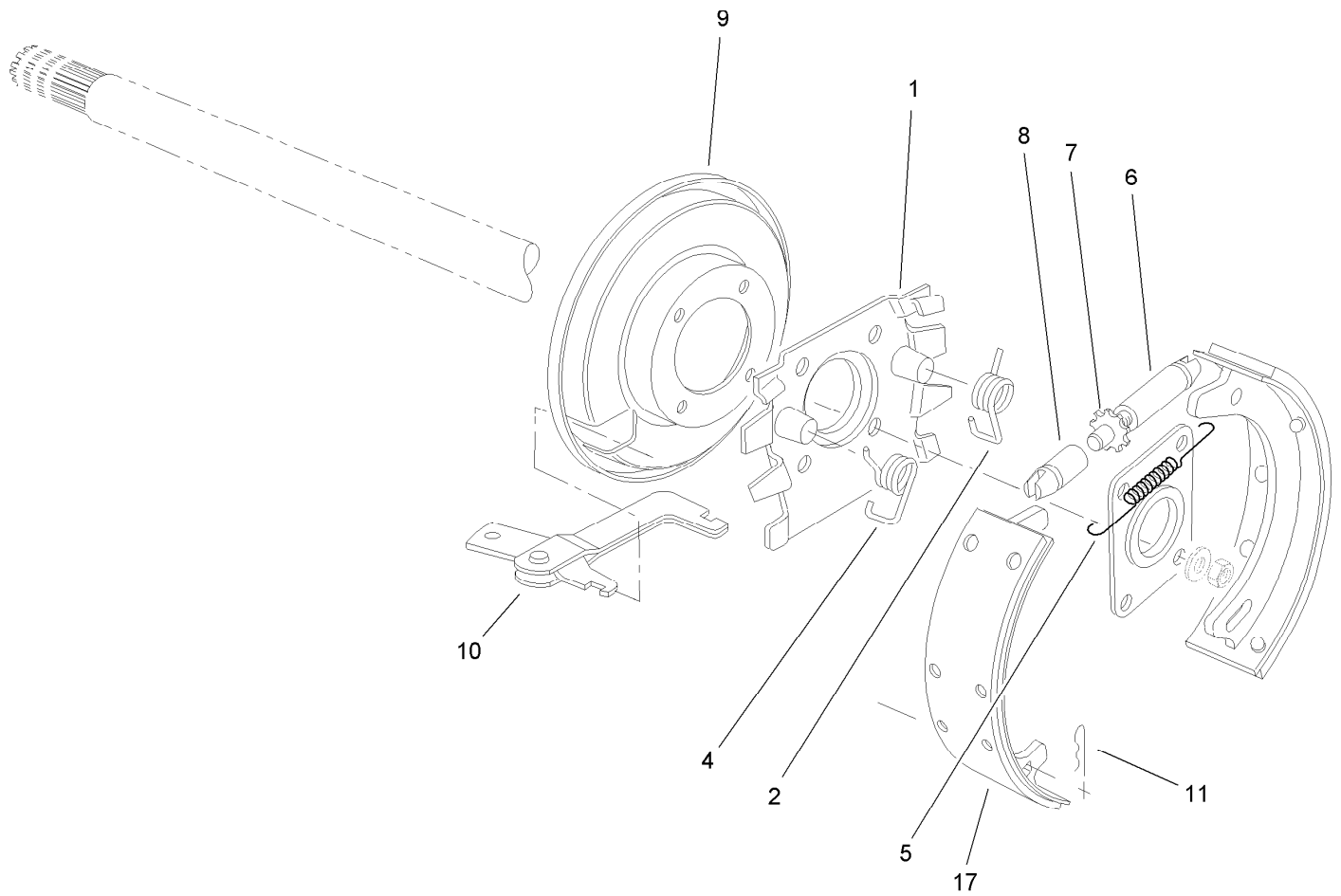
Ref.	Part Number	Qty.	Description
34	94-6934	8	Screw-HH
35	24-8840	2	Ring-Retaining, Wheel Bearing
36	99-6969	2	Seal-Oil, Wheel End
37	21-8180	2	Bearing ASM
38	28-0670	2	Seal-Grease
39	92-4903	1	Differential Carrier ASM

● Not serviced separately



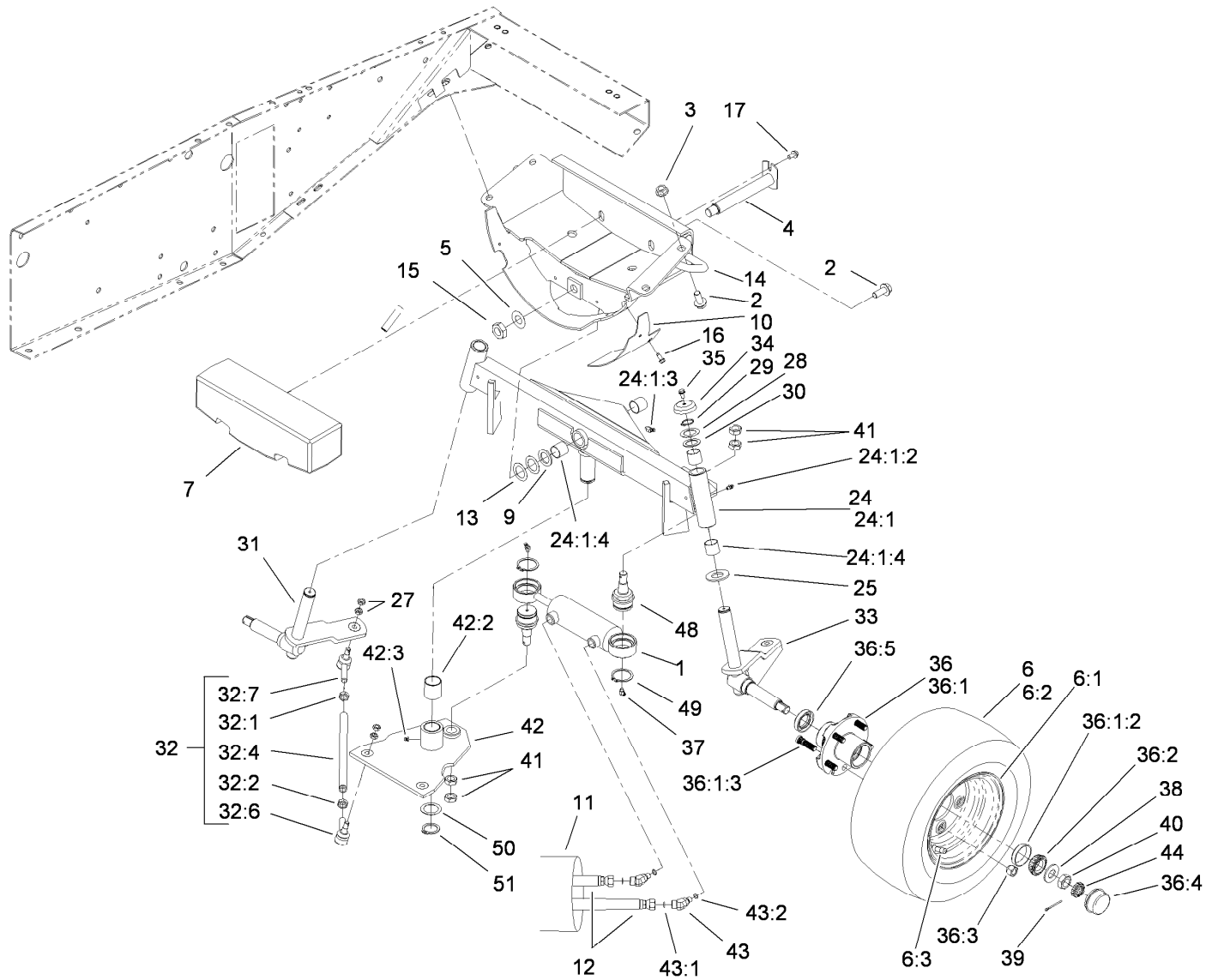
## Differential Case Assembly No. 110-4136

<i>Ref.</i>	<i>Part Number</i>	<i>Qty.</i>	<i>Description</i>
1	21-7670	1	Case-Differential
2	21-7700	1	Shaft-Mate, Pinion
3	42150	1	Pin-Lock, Pinion
4	110-3078	2	Gear-Differential
5	110-3077	2	Washer-Thrust
6	110-3079	2	Pinion-Differential
7	21-7730	2	Washer-Thrust, Pinion



## Front Axle Brake Assembly

<i>Ref.</i>	<i>Part Number</i>	<i>Qty.</i>	<i>Description</i>
1	43-6810	1	Spider-Torque
2	21-9420	1	Spring-Return, LH
4	21-9430	1	Spring-Return, RH
5	21-9440	1	Spring-Screw, Adjusting
6	21-9380	1	Nut-Pivot
7	21-9370	1	Screw-Adjusting
8	21-9390	1	Socket-Screw, Adjusting
9	21-9450	1	Shield-Dust
10	24-9180	1	Strut And Lever ASM
11	21-9460	2	Retainer-Lever, Brake
17	84-8600	1	Set-Shoes, Lined

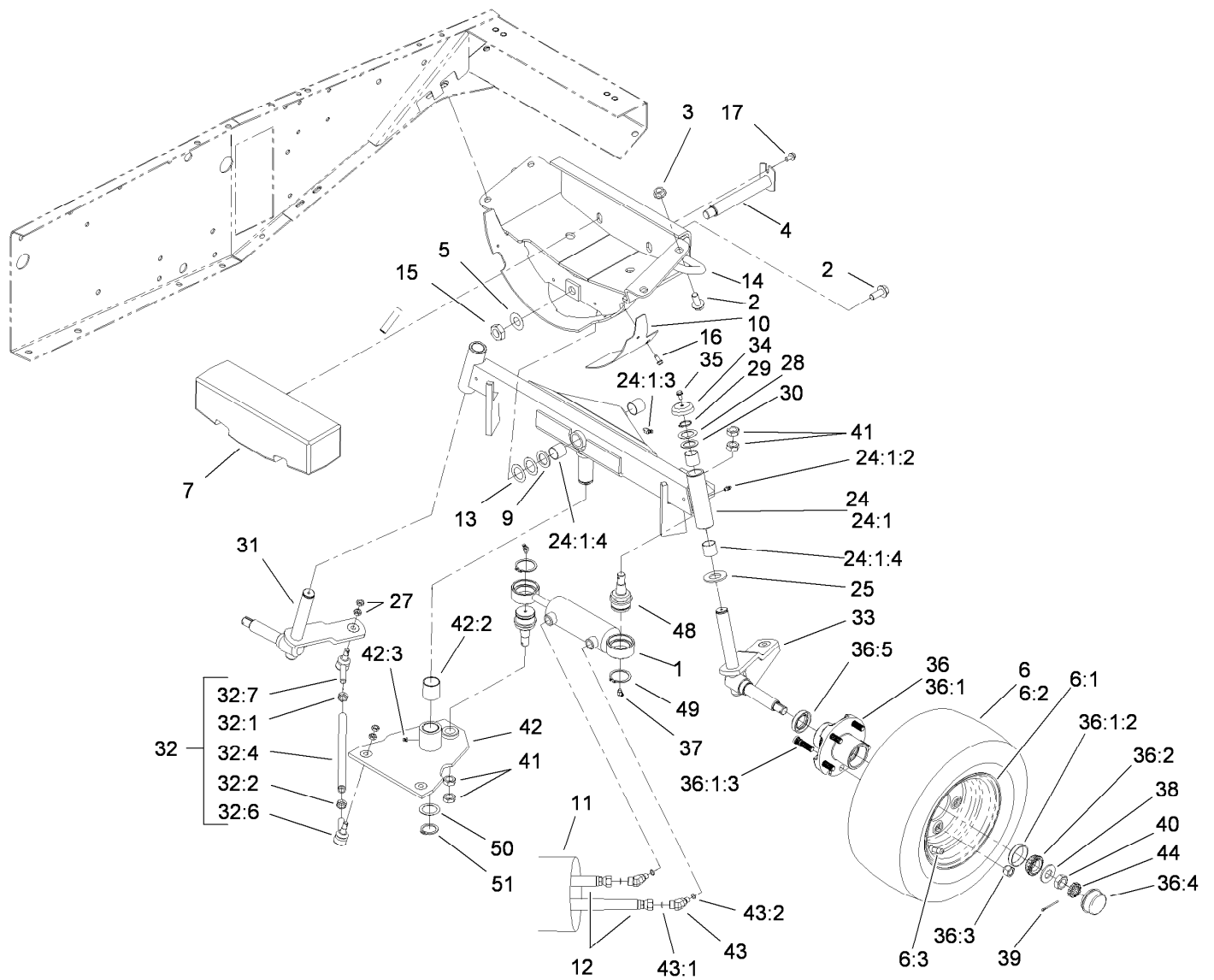


## Rear Axle Assembly

Ref.	Part Number	Qty.	Description	Ref.	Part Number	Qty.	Description
1	115-4524	1	Cylinder-Hydraulic	24	106-8050-03	1	Rear Axle ASM
2	3234-32	6	Screw-HHF	24:1		1	Axle-Rear ●
3	32128-23	4	Nut-HF	24:1:2	302-5	2	Fitting-Grease
4	92-7807-01	1	Rear Axle Pin ASM	24:1:3	302-11	1	Fitting-Lube, 45 DEG
5	71-4540	1	Washer-Thrust	24:1:4	67-1750	6	Bushing
6		2	Wheel And Tire ASM ●	25	256-121	2	Washer-Thrust
6:1	217-106	1	Wheel-8 Inch	27	3220-3	8	Nut-HJ
6:2	231-105	1	Tire-Ribbed	28	5-1226	4	Washer
6:3	232-31	1	Stem-Valve	29	32151-36	2	Ring-Retaining
7	98-3869-01	1	Weight-Rear	30	10-8110	2	Washer-Thrust
9	92-7845	1	Spacer-Hardened	31	93-3199-03	1	RH Spindle ASM
10	99-2413-01	1	Cover-Guard, Flywheel	32		2	Steering Tie Rod ASM ●
11	56-7980	1	Sleeve-Protective	32:1	3220-12	1	Nut-HJ (LH Thread)
12	119-4817	2	HYD Hose ASM	32:2	3220-5-01	1	Nut-HJ
13	56-2460	2	Washer-Flat	32:4	21-2000	1	Tie Rod-Steering
14	92-7803-01	1	Axle Support ASM	32:6	110-9686-03	1	LH Ball Joint ASM
15	32146-20	1	Nut-Jam	32:7	110-9685-03	1	RH Ball Joint ASM
16	32144-10	2	Screw-HWH	33	99-1292-03	1	LH Spindle ASM
17	32144-14	1	Screw-HWHTF	34	66-2990	2	Cap-Spindle

● Not serviced separately

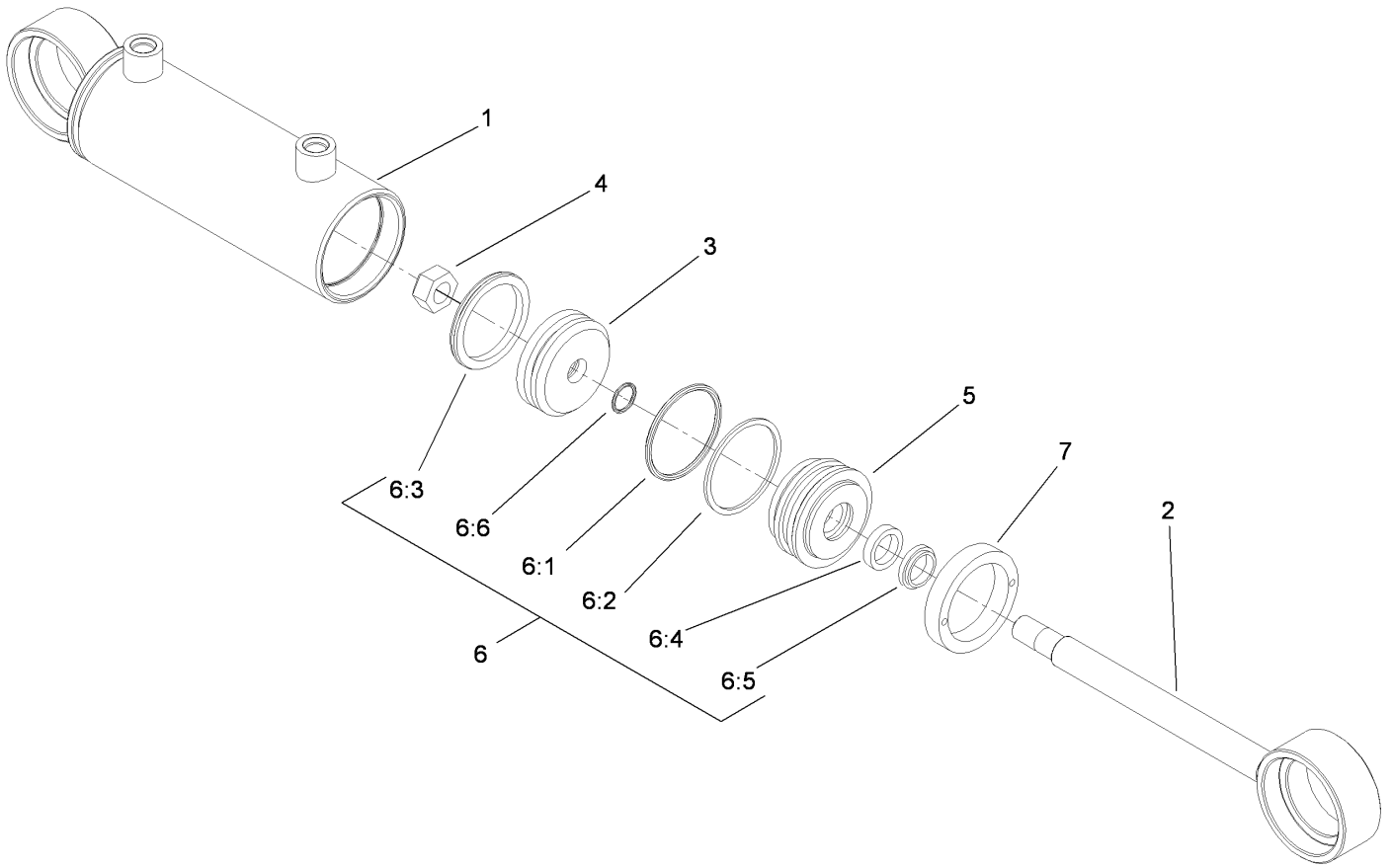




## Rear Axle Assembly (continued)

Ref.	Part Number	Qty.	Description	Ref.	Part Number	Qty.	Description
35	3234-13	2	Screw-HHF	41	3220-6	4	Nut-Jam
36		2	Hub ASM ●	42	106-8052	1	Steering Pivot ASM
36:1	117-8963	1	Hub ASM	42:2	76-2970	2	Bushing-Straight
36:1:2	254-72	2	Bearing-Cup, Tapered	42:3	302-5	1	Fitting-Grease
36:1:3	114-3918	5	Stud-Wheel	43	340-54	2	Elbow-45 DEG
36:2	254-94	2	Bearing-Cone, Tapered	43:1	237-22	1	O-Ring
36:3	242-50	5	Nut-Lug	43:2	237-78	1	O-Ring
36:4	241-119	1	Cap-Dust	44	93-0307	2	Nut-Lock, Retainer
36:5	112-1690	1	Seal-Oil	48	106-6774	2	Joint-Ball
37	302-11	2	Fitting-Lube, 45 DEG	49	32151-104	2	Ring-Retaining, External
38	93-0309	2	Washer-Tab	50	76-2980	1	Washer-Thrust
39	3272-13	2	Pin-Cotter	51	32151-77	1	Ring-Retaining, EXT
40	3220-7	2	Nut-Jam				

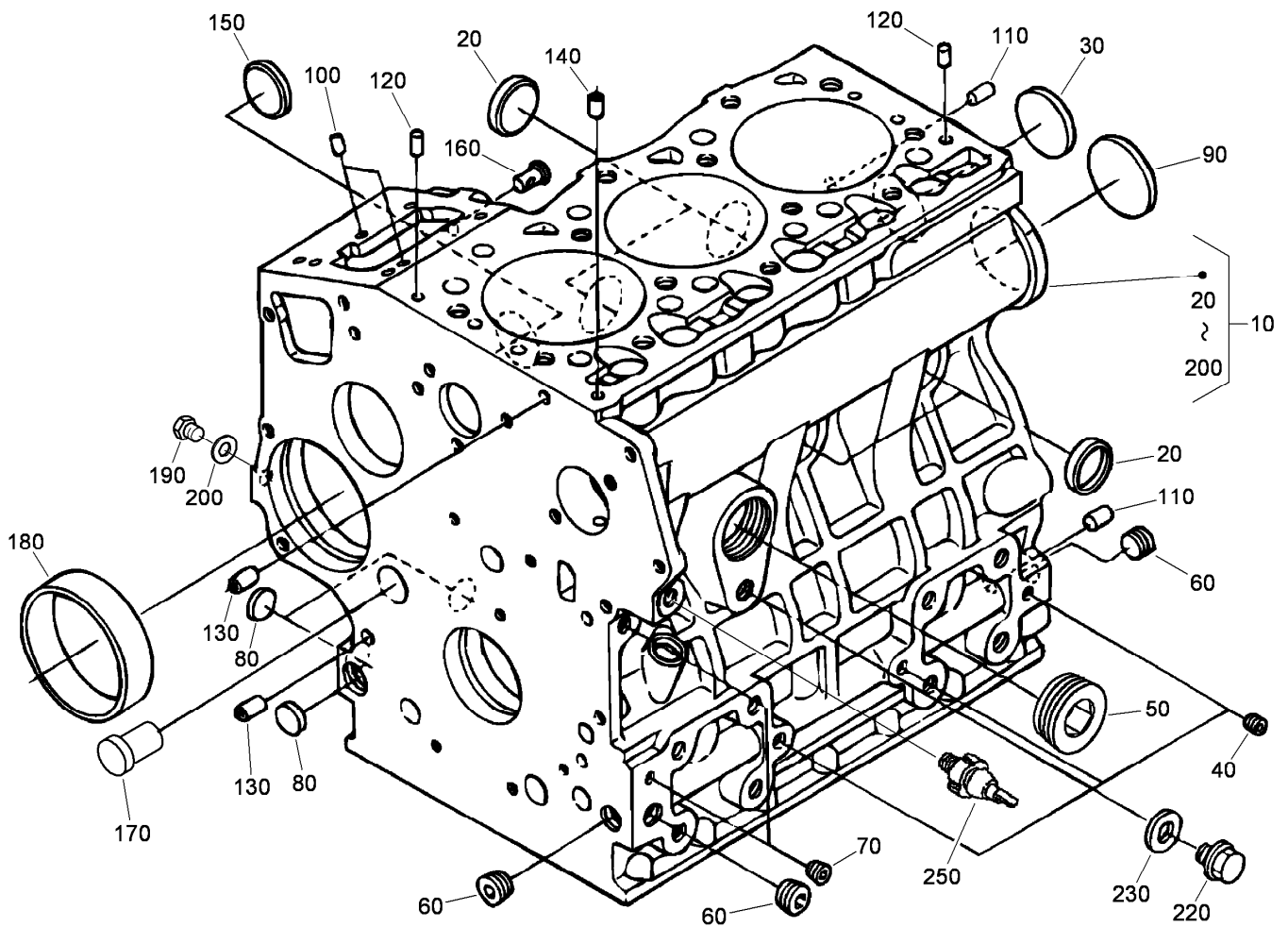
● Not serviced separately



## Hydraulic Cylinder Assembly No. 115-4524

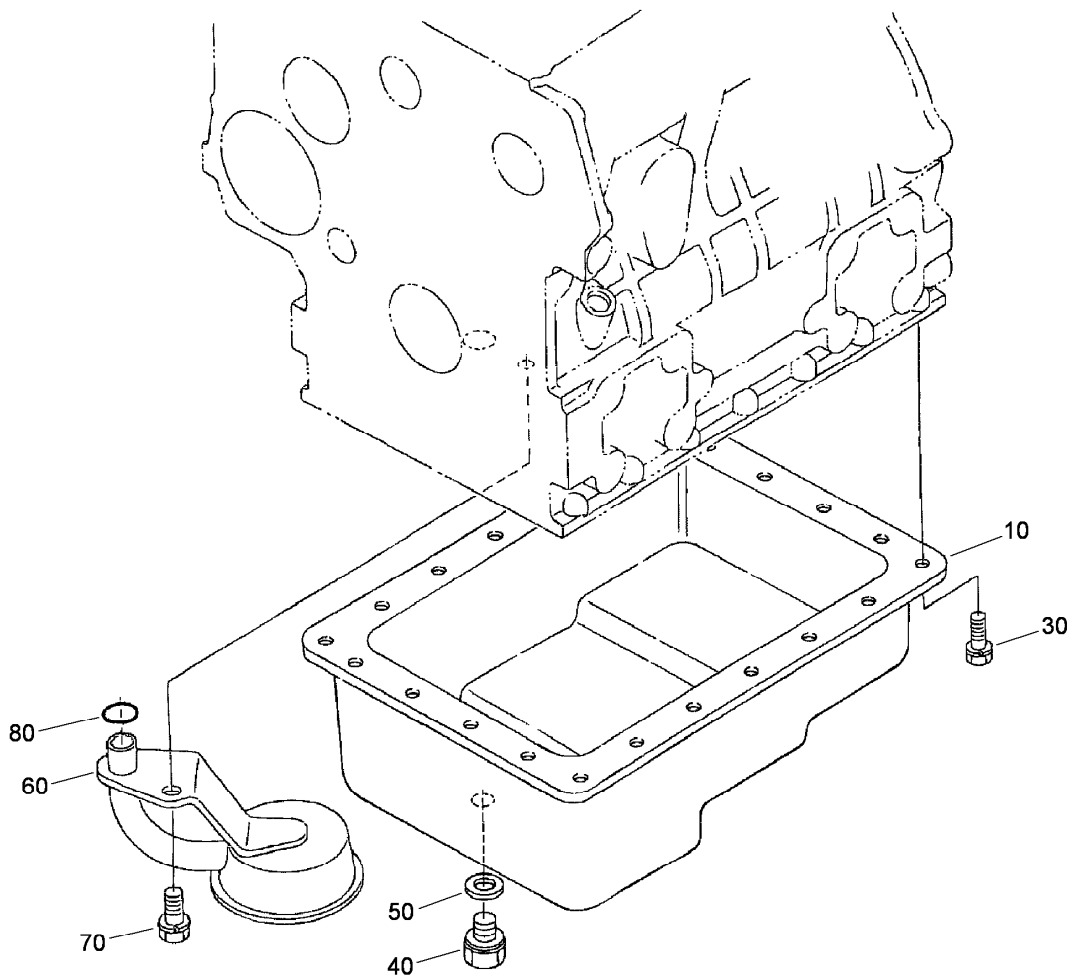
<i>Ref.</i>	<i>Part Number</i>	<i>Qty.</i>	<i>Description</i>
1		1	Barrel Assembly ●
2		1	Shaft Assembly ●
3		1	Piston ●
4		1	Nut-Lock ●
5		1	Head ●
6	115-4526	1	Seal Kit
6:1		1	O-Ring ●
6:2		1	Backup ●
6:3		1	Bp Seal ●
6:4		1	Bs-Seal ●
6:5		1	Dust Seal - Dt ●
6:6		1	O-Ring ●
7		1	Collar-Internal ●

● Not serviced separately



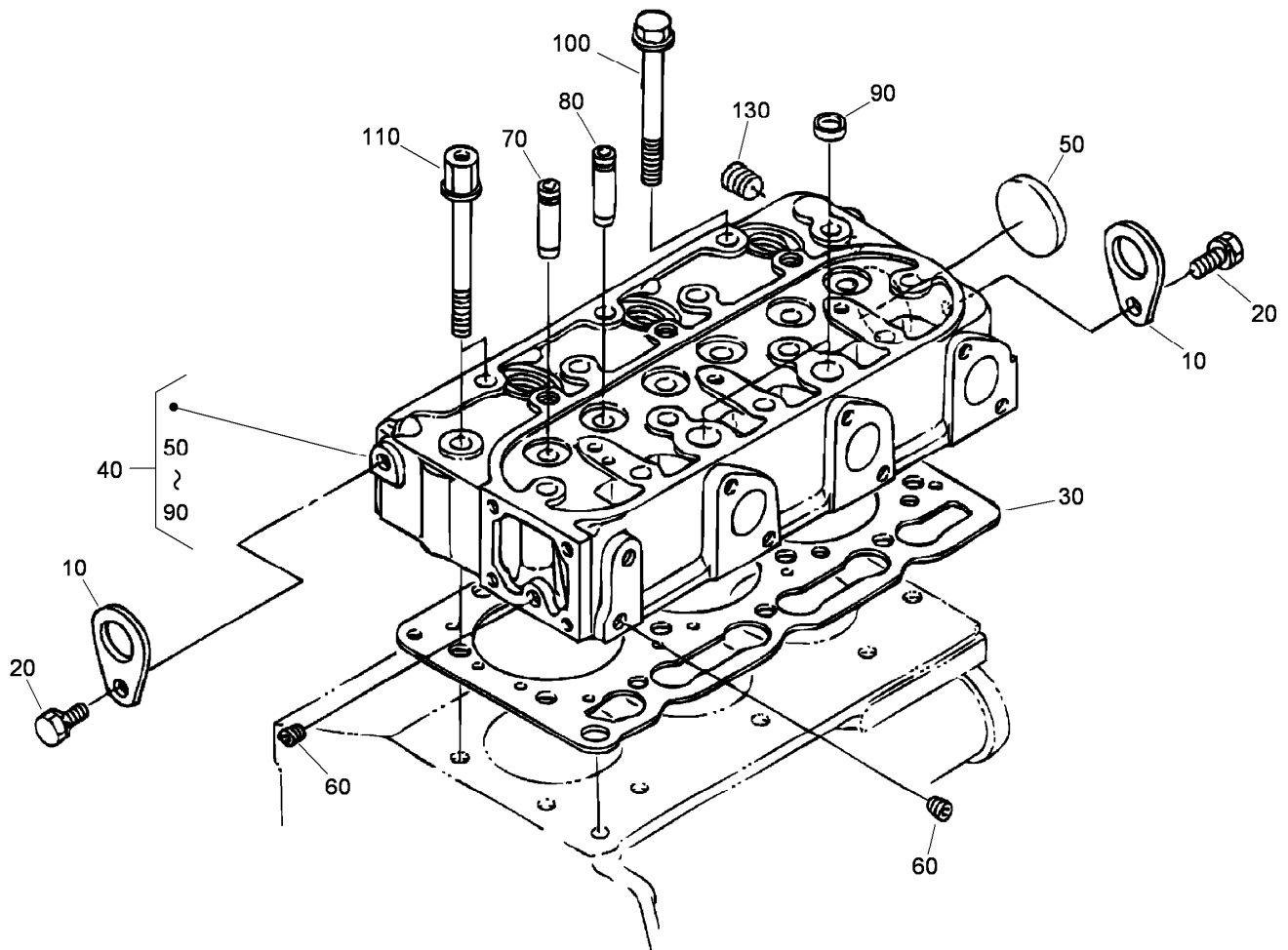
## Crankcase Assembly

<i>Ref.</i>	<i>Part Number</i>	<i>Qty.</i>	<i>Description</i>
10	108-6571	1	Crankcase ASM
20	98-9398	4	Cap-Sealing
30	98-7539	1	Cap-Sealing
40	98-9687	3	Plug
50	105-3779	1	Plug
60	98-9597	3	Plug
70	98-7487	2	Plug
80	98-9379	3	Plug-Expansion
90	98-9668	1	Plug-Expansion
100	98-9375	2	Pin-Straight
110	98-9377	2	Pin-Straight
120	98-7504	2	Pin-Straight
130	98-9387	2	Pin-Pipe
140	98-9539	1	Pin-Pipe
150	98-9599	1	Plug
160	98-9630	1	Pin-Spring, Start
170	98-9675	1	Plug
180	98-9656	1	Bushing-Governor, Gear
190	98-7507	1	Plug
200	98-7428	1	Gasket
220	99-3447	1	Plug
230	106-7056	1	Gasket
250	98-9416	1	Switch-Oil



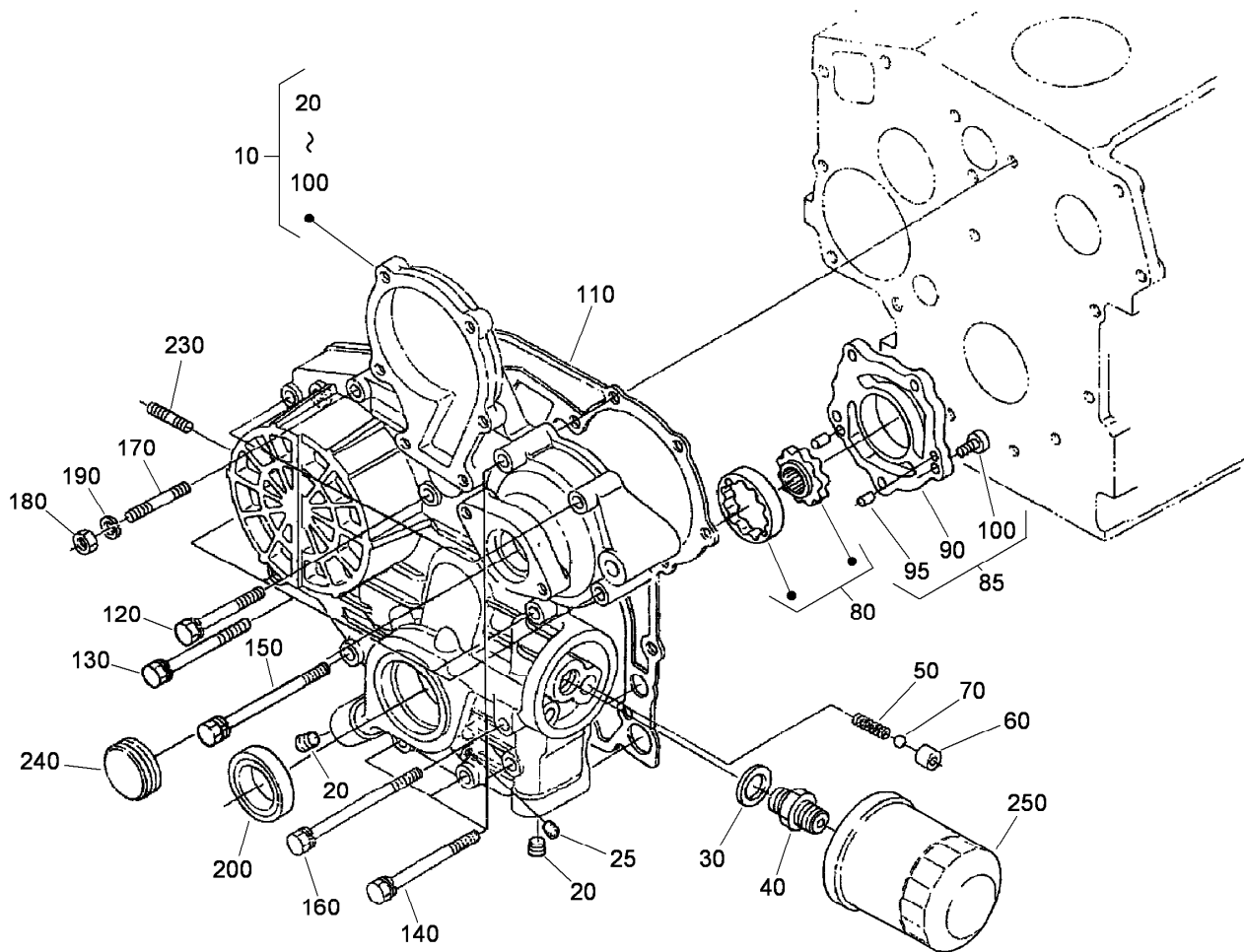
## Oil Pan Assembly

<i>Ref.</i>	<i>Part Number</i>	<i>Qty.</i>	<i>Description</i>
10	104-3495	1	Pan-Oil
30	107-9065	22	Bolt
40	114-8151	1	Plug-Drain
50	98-7524	1	Gasket
60	104-3496	1	Filter-Pickup, Oil
70	98-7526	1	Bolt
80	105-3776	1	O-Ring



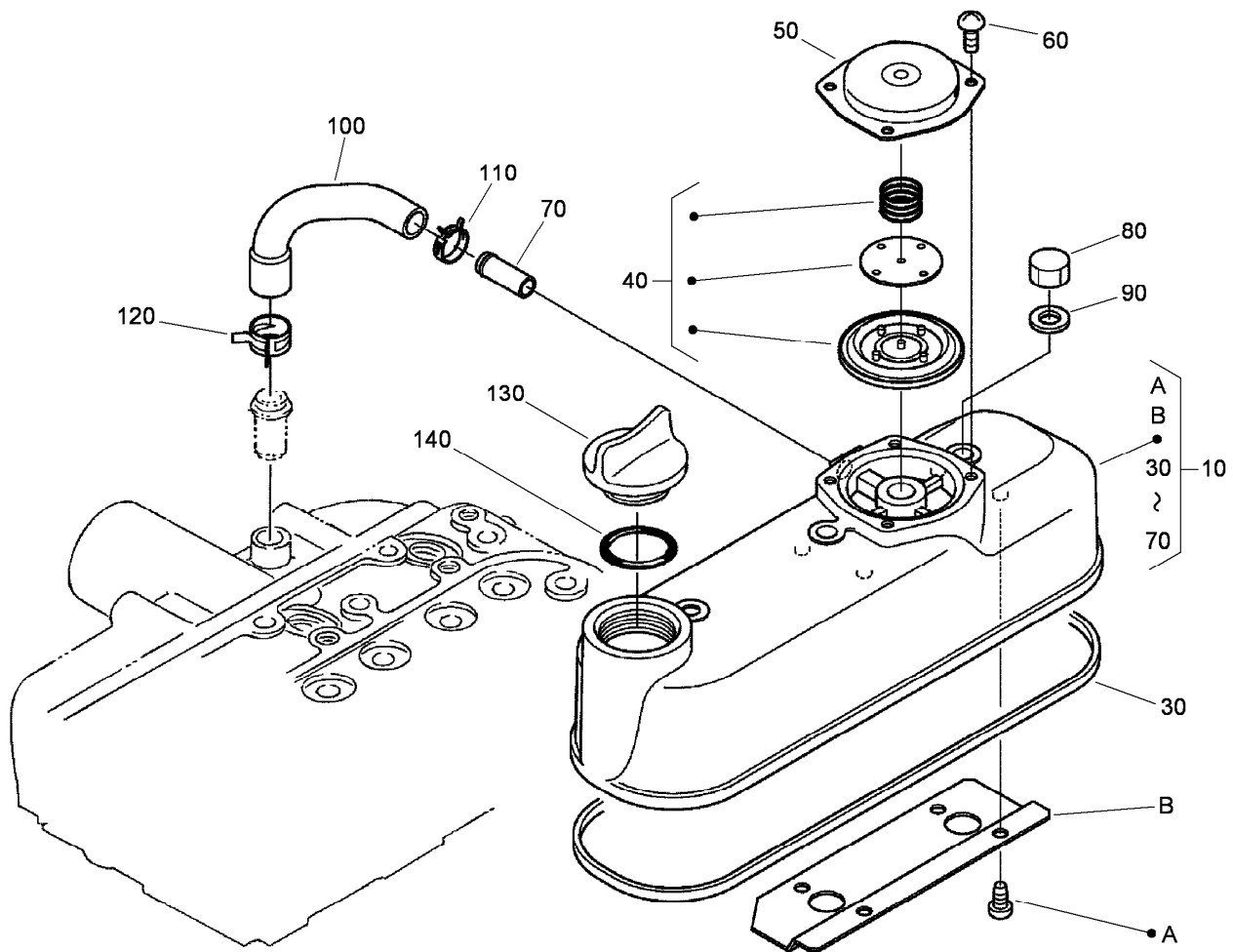
## Cylinder Head Assembly

<i>Ref.</i>	<i>Part Number</i>	<i>Qty.</i>	<i>Description</i>
10	98-7531	2	Hook-Engine
20	100-9195	2	Bolt
30	108-6573	1	Gasket-Head, Cylinder
40	108-6574	1	*obs* Cylinder Head ASM
50	105-3705	1	Cap-Sealing
60	98-9687	2	Plug
70	107-9066	3	Guide-Valve, Inlet
80	107-9067	3	Guide-Valve, Exhaust
90	98-9389	2	Cap-Sealing
100	98-9479	1	Bolt-Head, Cylinder
110	98-9647	2	Bolt-Head, Cylinder
130	98-9444	1	Plug



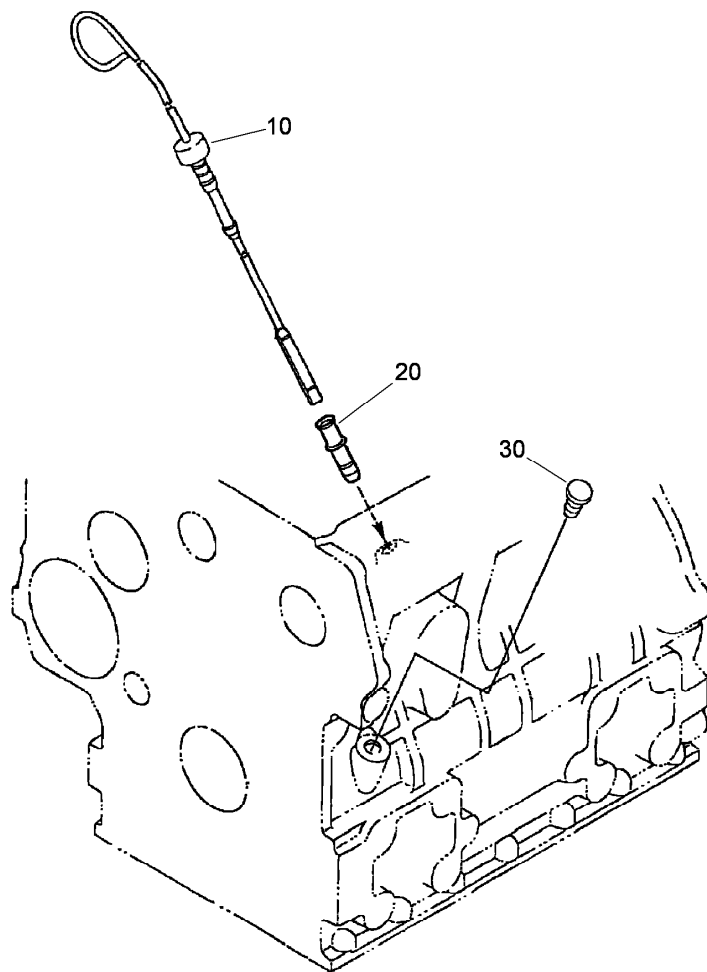
## Gear Case Assembly

<i>Ref.</i>	<i>Part Number</i>	<i>Qty.</i>	<i>Description</i>	<i>Ref.</i>	<i>Part Number</i>	<i>Qty.</i>	<i>Description</i>
10	115-4105	1	Gear Case ASM	110	98-9633	1	Gasket-Case, Gear
20	98-9598	2	Plug	120	107-9073	3	Bolt
25	98-7487	1	Plug	130	105-3797	4	Bolt
30	98-7562	1	Washer-Plain	140	98-9356	4	Bolt
40	98-9388	1	Joint-Pipe	150	107-9074	1	Bolt
50	98-9544	1	Spring	160	98-9586	1	Bolt
60	98-9543	1	Seat-Valve	170	105-3709	1	Stud
70	98-9380	1	Ball	180	98-7572	1	Nut
80	98-9540	1	Oil Pump Rotor ASM	190	98-7699	1	Washer-Spring
85	115-4501	1	Pump Cover ASM	200	98-9482	1	Seal-Oil
90	107-9069	1	Cover-Pump, Oil	230	105-3710	2	Stud
95	107-9072	2	Pin-Straight	240	98-9641	1	Cover-Case, Gear
100	107-9071	5	Screw	250	108-3841	1	Filter-Oil



## Cylinder Head Cover Assembly

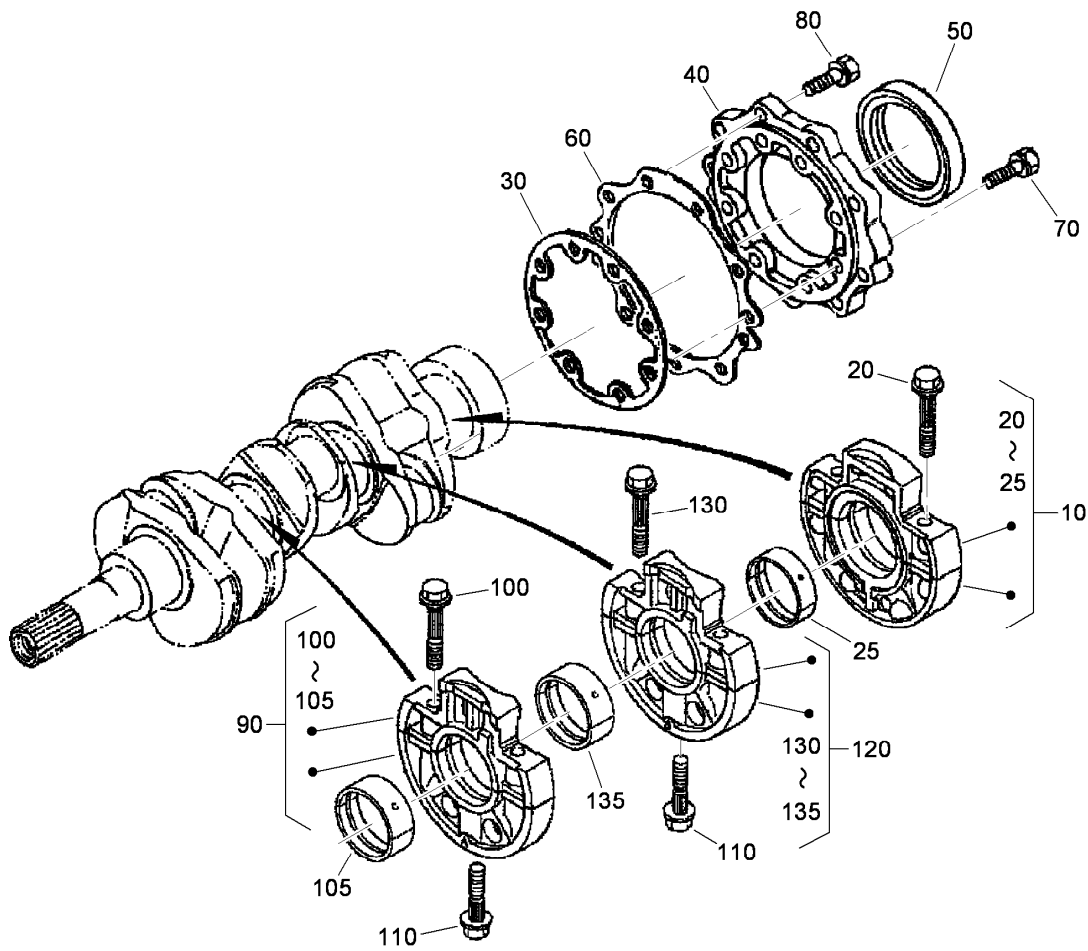
<i>Ref.</i>	<i>Part Number</i>	<i>Qty.</i>	<i>Description</i>
10	108-6575	1	Cylinder Head Cover ASM
30	98-9615	1	Gasket-Cover, Head
40	108-2861	1	Breather Valve ASM
50	110-3714	1	Cover-Breather
60	98-9364	4	Screw (With Washer)
70	98-7766	1	Pipe-Return, Water
80	98-9455	3	Nut-Cap
90	98-9454	3	Gasket
100	108-2858	1	Tube-Breather
110	108-2859	1	Clamp-Hose
120	108-2860	1	Clamp-Hose
130	107-9075	1	Plug-Filler, Oil
140	99-3446	1	O-Ring



## Dipstick and Guide Assembly

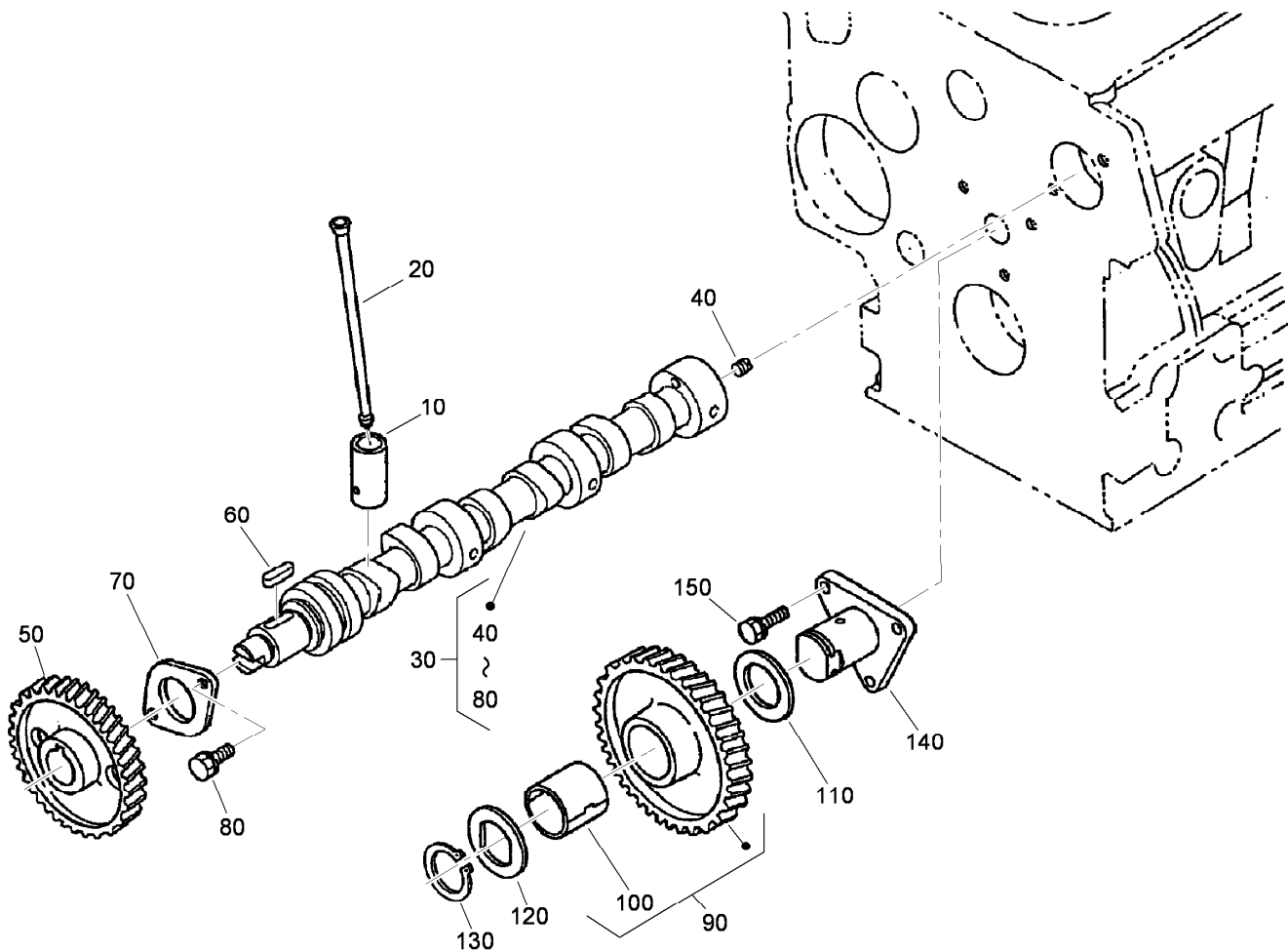
<i>Ref.</i>	<i>Part Number</i>	<i>Qty.</i>	<i>Description</i>
10	107-9076	1	Gauge-Oil
20	105-4580	1	Guide-Gauge, Oil
30	110-3720	1	Plug-Gauge, Oil





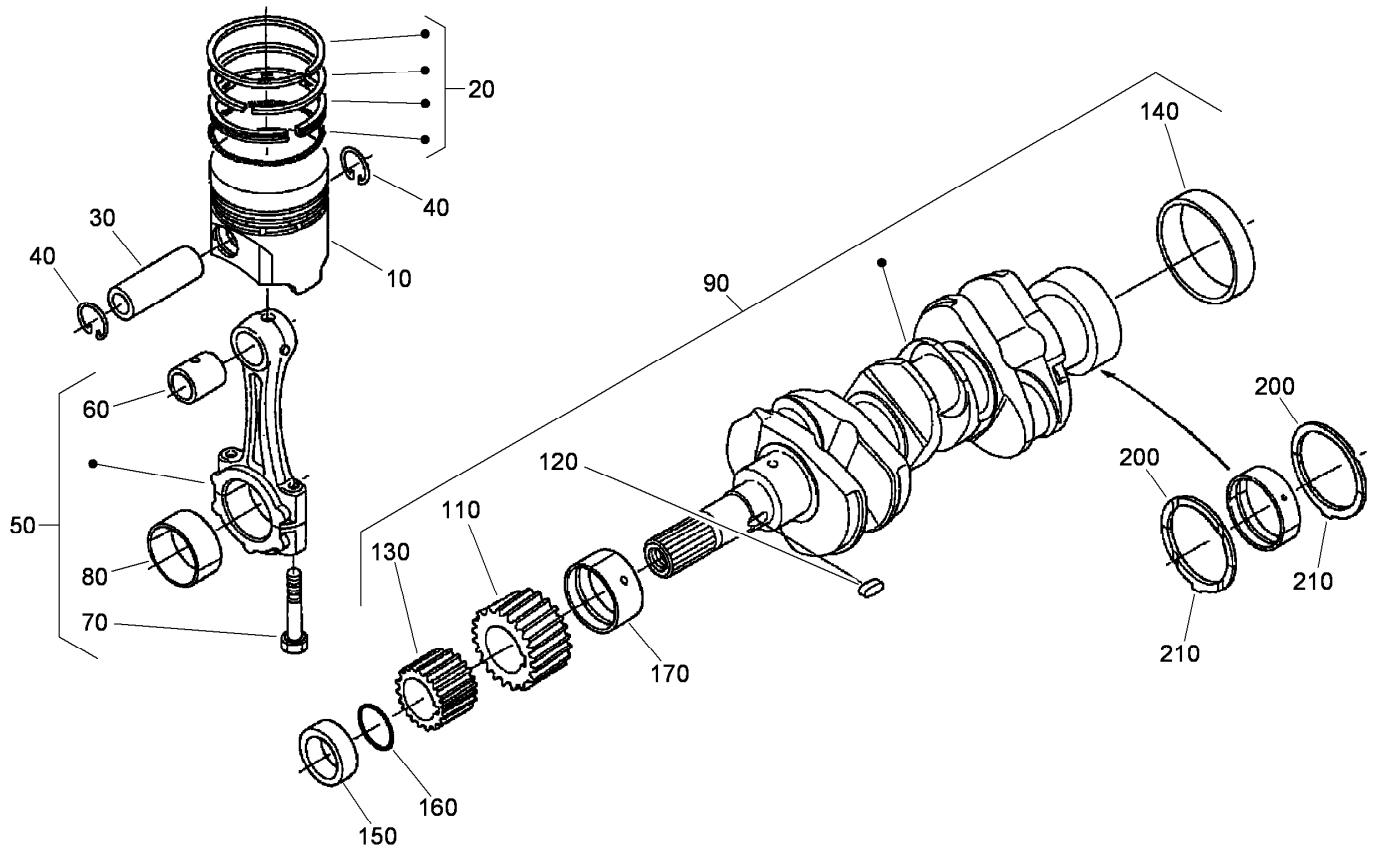
## Main Bearing Case Assembly

<i>Ref.</i>	<i>Part Number</i>	<i>Qty.</i>	<i>Description</i>
10	112-7026	1	Wheel Bearing Case ASM
20	98-9484	6	Bolt-Case, Bearing
25	112-7006	1	Bearing-Main (STD)
25	112-7007	1	Metal-Crankshaft (.2Mm)
25	112-7008	1	Metal-Crankshaft (.4Mm)
30	98-9634	1	Gasket-Case, Bearing
40	98-9487	1	Cover-Case, Bearing
50	112-0180	1	Seal-Oil
60	98-9635	1	Gasket-Cover, Bearing Case
70	98-9352	8	Bolt
80	98-7568	9	Bolt
90	115-4106	1	Main Bearing Case ASM
100	98-9484	2	Bolt-Case, Bearing
105	98-9524	1	Metal-Crankshaft (STD Set)
105	98-9530	1	Bearing-Main (0.2Mm)
105	98-9531	1	Bearing-Main (0.4Mm)
110	98-9485	2	Bolt-Case, Bearing
120	115-4107	1	Main Bearing Case ASM
130	98-9484	2	Bolt-Case, Bearing
135	98-9524	1	Metal-Crankshaft (STD Set)
135	98-9530	1	Bearing-Main (0.2Mm)
135	98-9531	1	Bearing-Main (0.4Mm)



## Cam Shaft and Idle Gear Assembly

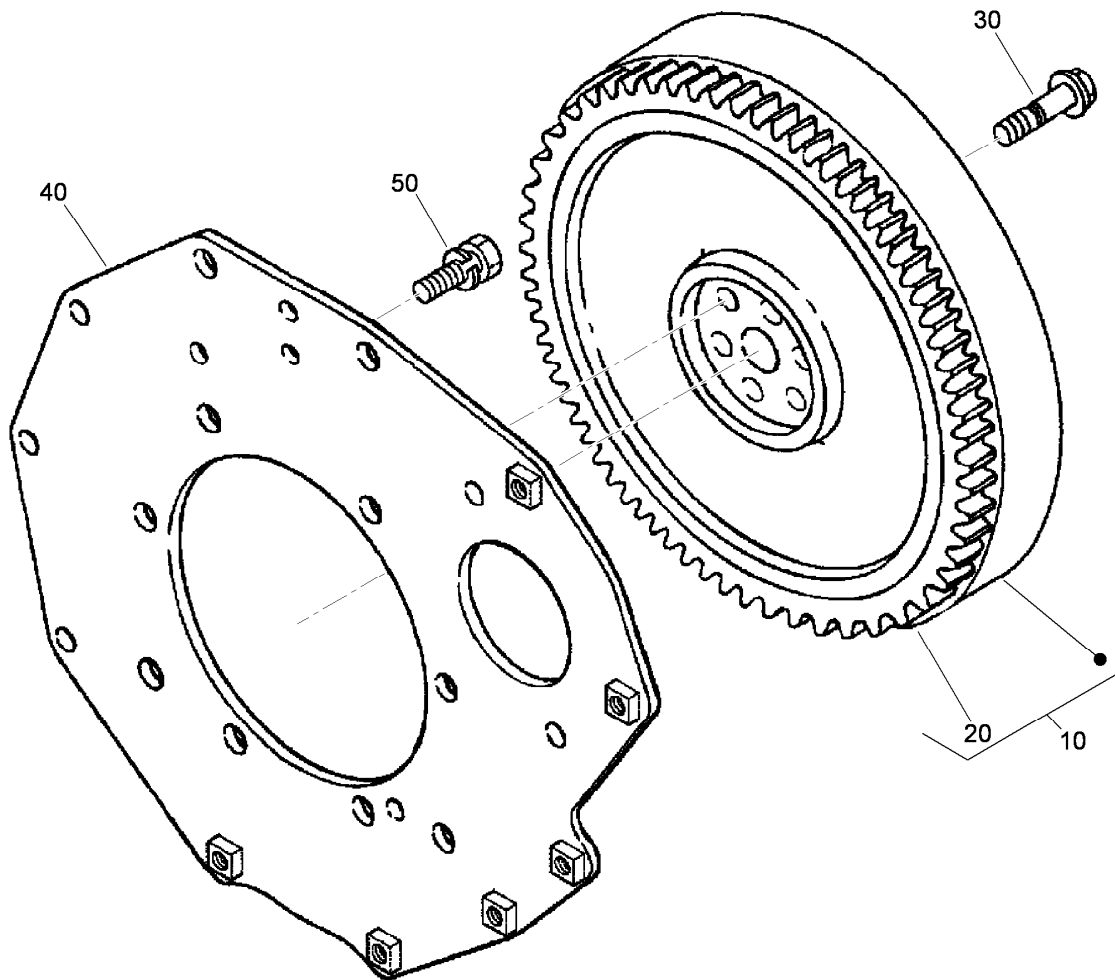
<i>Ref.</i>	<i>Part Number</i>	<i>Qty.</i>	<i>Description</i>
10	112-0185	6	Tappet
20	98-9509	6	Rod-Push
30	108-6576	1	Camshaft ASM
40	98-7449	1	Screw-Set
50	98-9512	1	Gear-Cam
60	98-9378	1	Key-Feather
70	98-9510	1	Stopper-Camshaft
80	98-9351	2	Bolt
90	98-9649	1	Idle Gear ASM
100	98-9650	1	Bushing-Gear, Idle
110	98-9535	1	Collar-Gear, Idle
120	98-9536	1	Collar-Gear, Idle
130	98-9534	1	Circlip-Gear, Idle
140	98-9533	1	Shaft-Gear, Idle
150	98-7692	3	Bolt



## Piston and Crankshaft Assembly

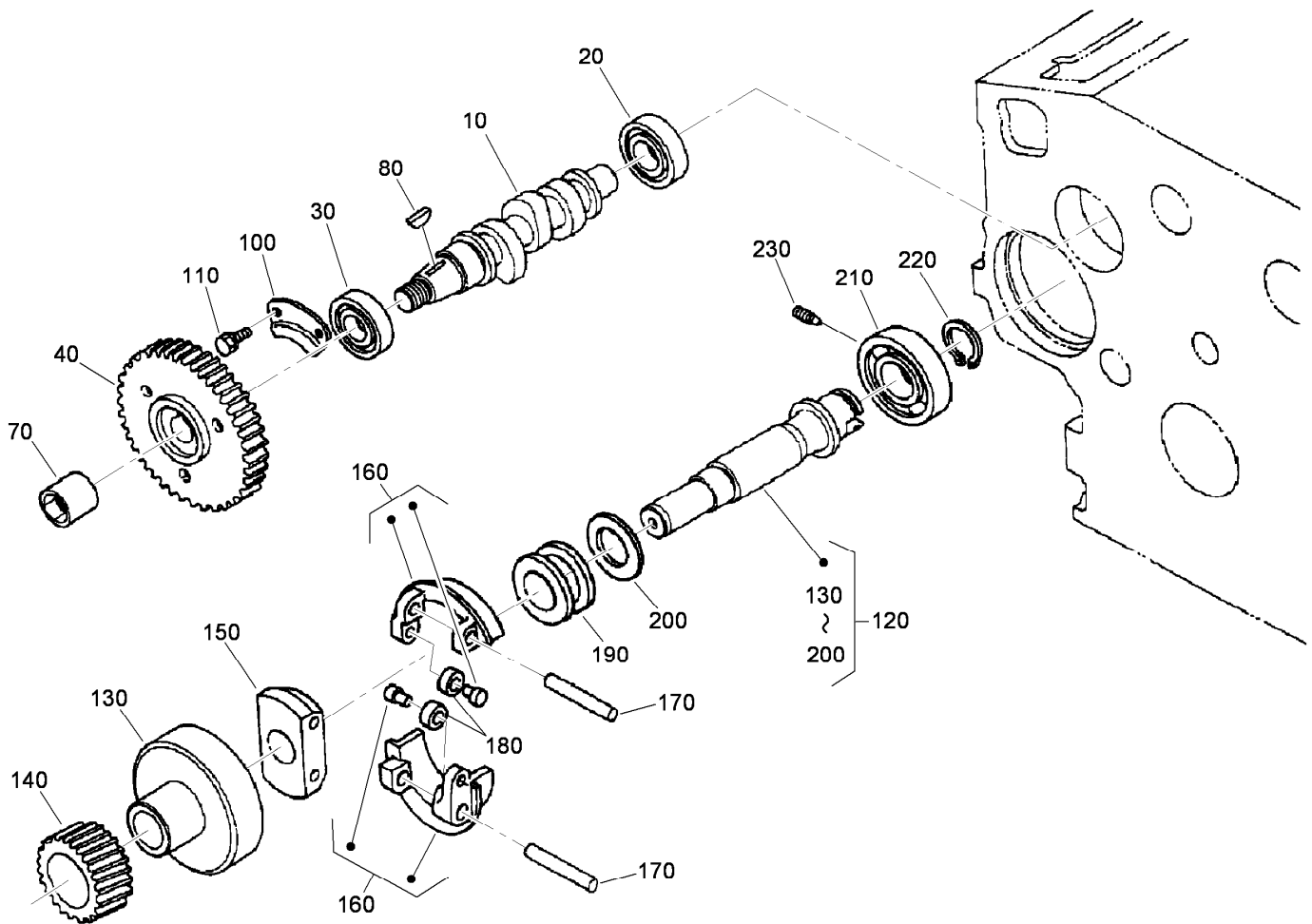
<i>Ref.</i>	<i>Part Number</i>	<i>Qty.</i>	<i>Description</i>
10	112-8415	3	Piston ASM
10	112-8404	3	Piston (STD)
20	98-9619	3	Piston Ring ASM (0.5Mm)
20	98-9618	3	Piston Ring ASM (STD)
30	98-9513	3	Pin-Piston
40	98-9514	6	Circlip-Pin, Piston
50	115-3013	3	Connecting Rod ASM
60	115-3014	3	Bushing-Pin, Piston
70	98-9517	6	Bolt-Rod, Connecting
80	98-9520	3	Bearing-Rod (0.4Mm)
80	98-9519	3	Bearing-Rod (0.2Mm)
80	98-9518	3	Metal-Crankpin (STD)
90	98-9642	1	Crankshaft ASM
110	98-9532	1	Gear-Crankshaft

<i>Ref.</i>	<i>Part Number</i>	<i>Qty.</i>	<i>Description</i>
120	98-9666	1	Key
130	98-9542	1	Gear-Drive, Oil Pump
140	98-9522	1	Sleeve-Crankshaft
150	98-9521	1	Collar-Crankshaft
160	105-3783	1	O-Ring
170	98-9523	1	Metal Crankshaft (STD)
170	98-9528	1	Bearing-Main (0.2Mm)
170	98-9529	1	Bearing-Main (0.4Mm)
200	98-9413	2	Bearing-Thrust (STD)
200	98-9414	2	Bearing-Thrust (0.2Mm)
200	98-9415	2	Bearing-Thrust (0.4Mm)
210	98-9688	2	Bearing-Thrust (STD)
210	98-9689	2	Bearing-Thrust (0.2Mm)
210	98-9690	2	Bearing-Thrust (0.4Mm)



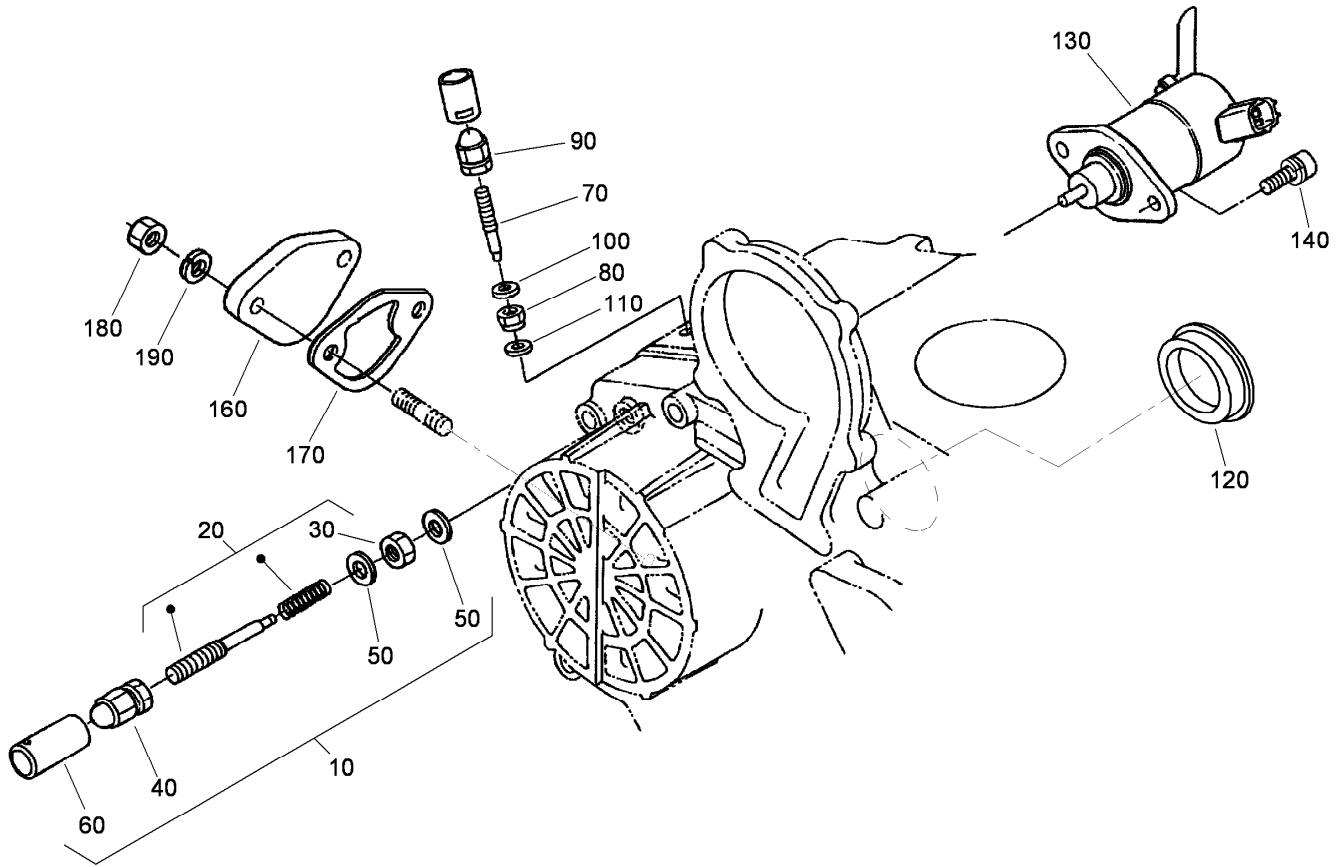
## Flywheel Assembly

<i>Ref.</i>	<i>Part Number</i>	<i>Qty.</i>	<i>Description</i>
10	105-3784	1	Flywheel ASM
20	115-3015	1	Gear-Ring
30	98-9537	6	Bolt-Flywheel
40	98-9486	1	Plate-End, Rear
50	98-9392	8	Bolt



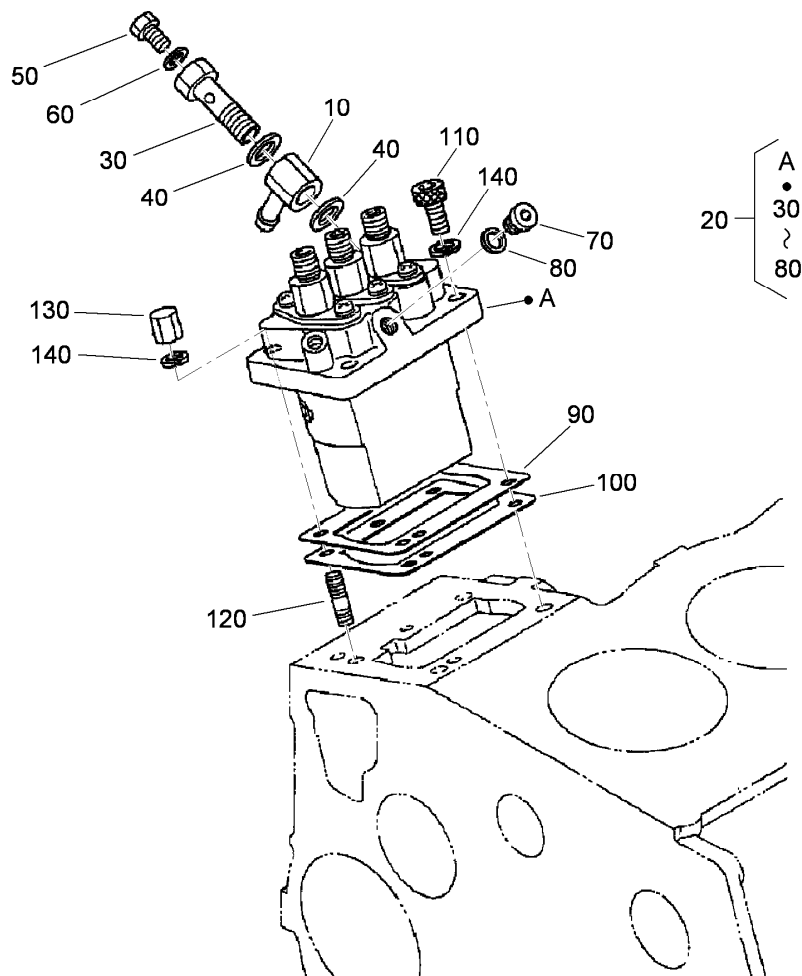
## Fuel Camshaft and Governor Shaft Assembly

<i>Ref.</i>	<i>Part Number</i>	<i>Qty.</i>	<i>Description</i>
10	98-9459	1	Camshaft-Fuel
20	107-9077	1	Bearing-Ball
30	107-9078	1	Bearing-Ball
40	98-9669	1	Gear-Pump, Injection
70	98-9590	1	Nut-Cap
80	98-9595	1	Key-Woodruff
100	98-9511	1	Stopper-Fuel, Camshaft
110	98-9350	2	Bolt
120	98-9644	1	Governor Shaft ASM
130	98-9562	1	Holder-Gear, Governor
140	98-9673	1	Gear-Governor
150	98-9561	1	Holder-Weight, Governor
160	98-9559	2	Governor Weight ASM
170	98-9560	2	Shaft-Weight, Governor
180	98-9692	2	Roller
190	98-9563	1	Sleeve-Governor
200	98-9564	1	Washer-Thrust
210	107-9079	1	Bearing-Ball
220	98-9657	1	Circlip-Shaft, Governor
230	98-9565	1	Screw-Set



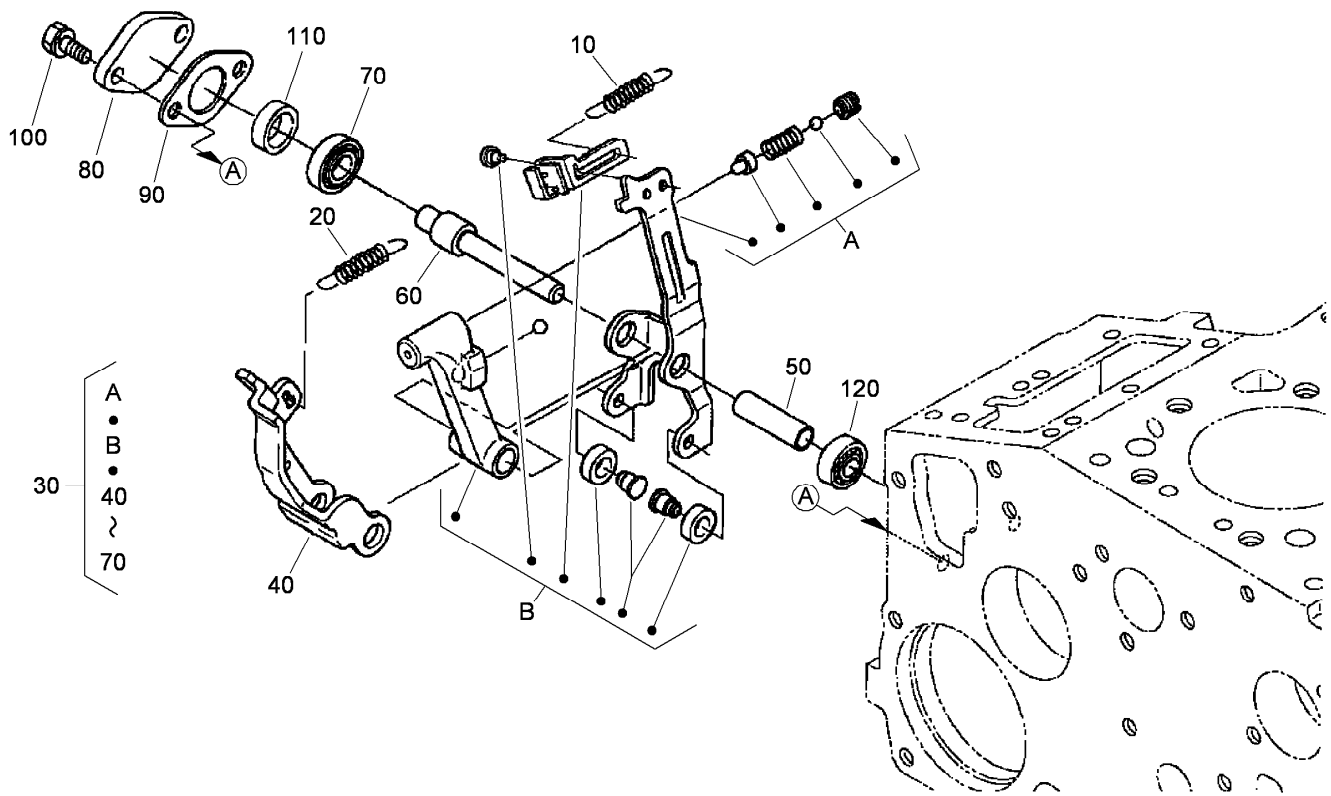
## Idle Apparatus and Stop Solenoid Assembly

Ref.	Part Number	Qty.	Description
10	98-9678	1	Idle Apparatus ASM
20	112-7014	1	Adjusting Bolt ASM
30	98-9439	1	Nut
40	112-0181	1	Nut
50	98-7654	2	Gasket
60	98-7656	1	Cap
70	112-7015	1	Bolt-Adjusting
80	99-3512	1	Nut
90	112-0181	1	Nut
100	98-7654	1	Gasket
110	107-9081	1	Gasket
120	112-7016	1	Cover-Pump
130	104-5155	1	Solenoid-Stop
140	115-3039	2	Bolt-HSH
160	99-3514	1	Cover
170	98-9636	1	Gasket-Pump, Fuel
180	98-7572	2	Nut
190	98-7699	2	Washer-Spring



## Injection Pump Assembly

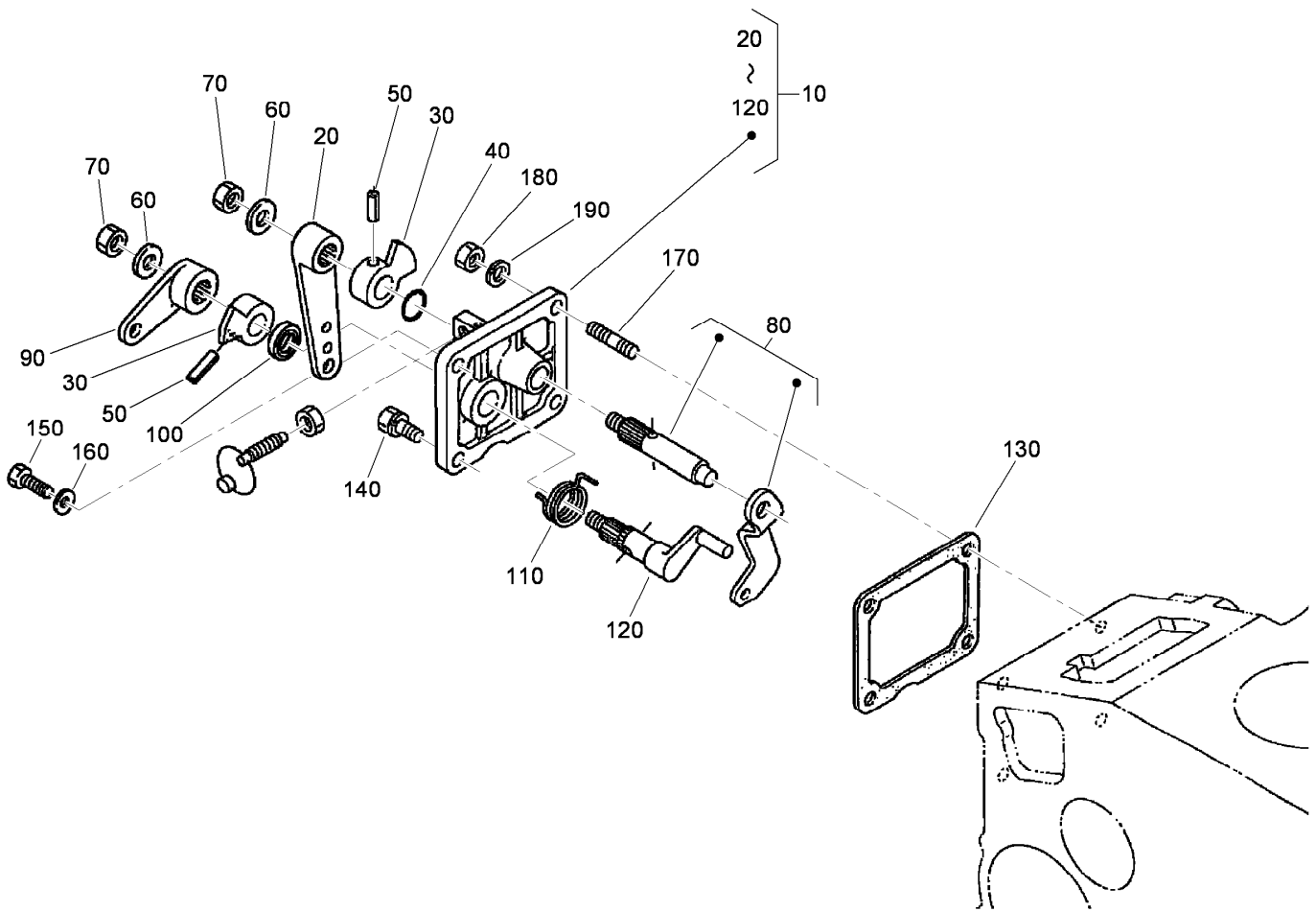
<i>Ref.</i>	<i>Part Number</i>	<i>Qty.</i>	<i>Description</i>
10	98-9596	1	Joint-Eye
20	98-9643	1	Injection Pump ASM
30	98-9464	1	Bolt-Joint
40	98-9445	2	Gasket
50	98-9430	1	Screw
60	98-9446	1	Gasket
70	98-9466	1	Plug
80	98-9451	1	Gasket
90	98-9456	1	Shim-Injection (0.20Mm)
90	98-9457	1	Shim-Injection (0.25Mm)
90	115-3045	1	Shim-Injection (0.175Mm)
100	98-9458	1	Shim-Injection (0.30Mm)
100	115-3046	1	Shim-Injection (0.35Mm)
110	98-9361	2	Bolt-HSH
120	98-9438	2	Stud
130	98-9440	2	Nut-Cap
140	98-7699	4	Washer-Spring



## Governor Assembly

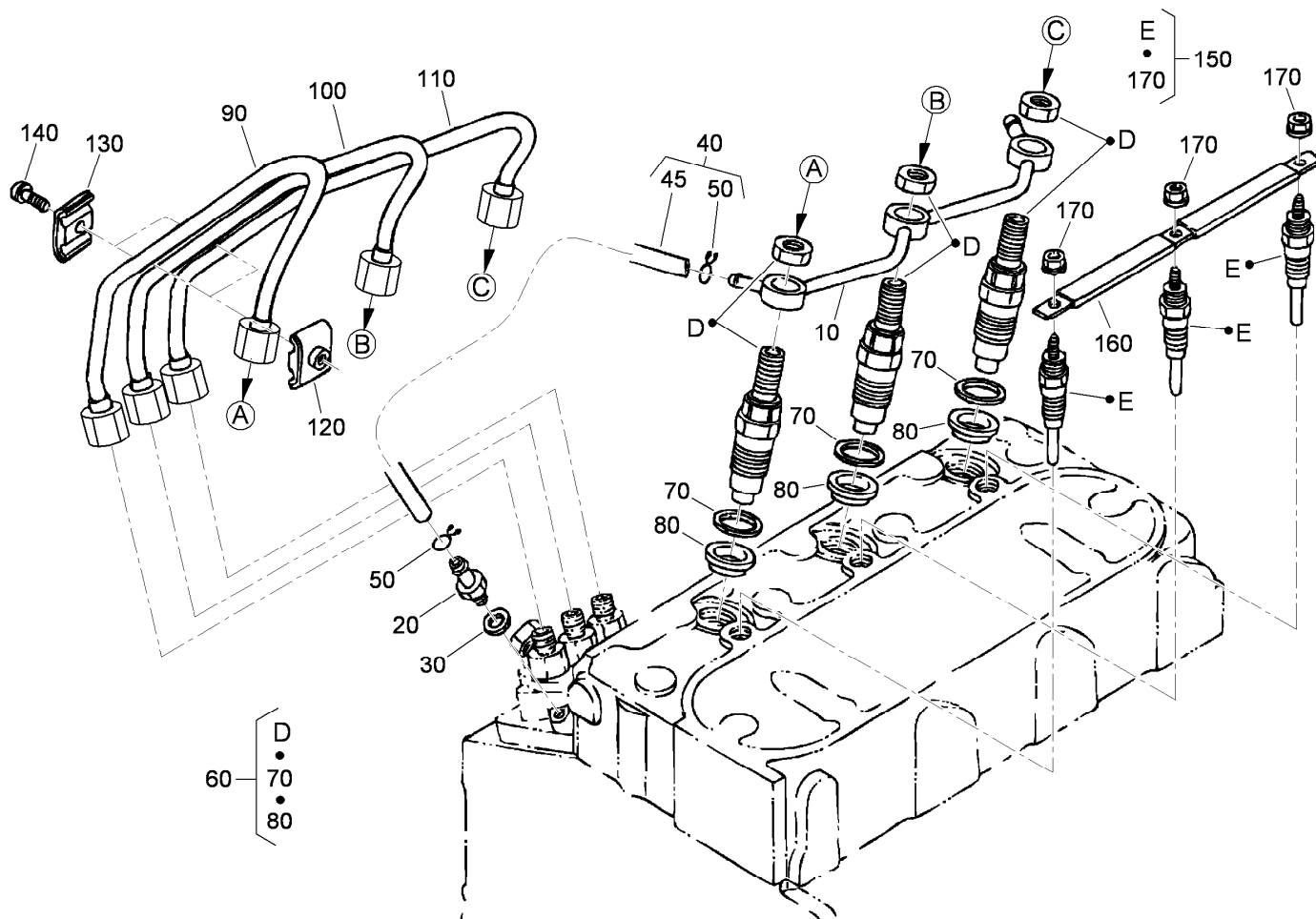
<i>Ref.</i>	<i>Part Number</i>	<i>Qty.</i>	<i>Description</i>
10	105-3786	1	Spring-Start
20	98-9681	1	Spring-Governor
30	115-4502	1	Fork Lever ASM
40	107-9084	1	Lever-Fork
50	107-9085	1	Shaft-Lever, Fork
60	107-9086	1	Shaft-Lever, Fork
70	98-9570	1	Bearing-Miniaturize
80	98-9569	1	Cover-Shaft, Fork Lever
90	98-9682	1	Gasket
100	98-9351	2	Bolt
110	98-9567	1	Collar
120	98-9571	1	Bearing-Miniaturize





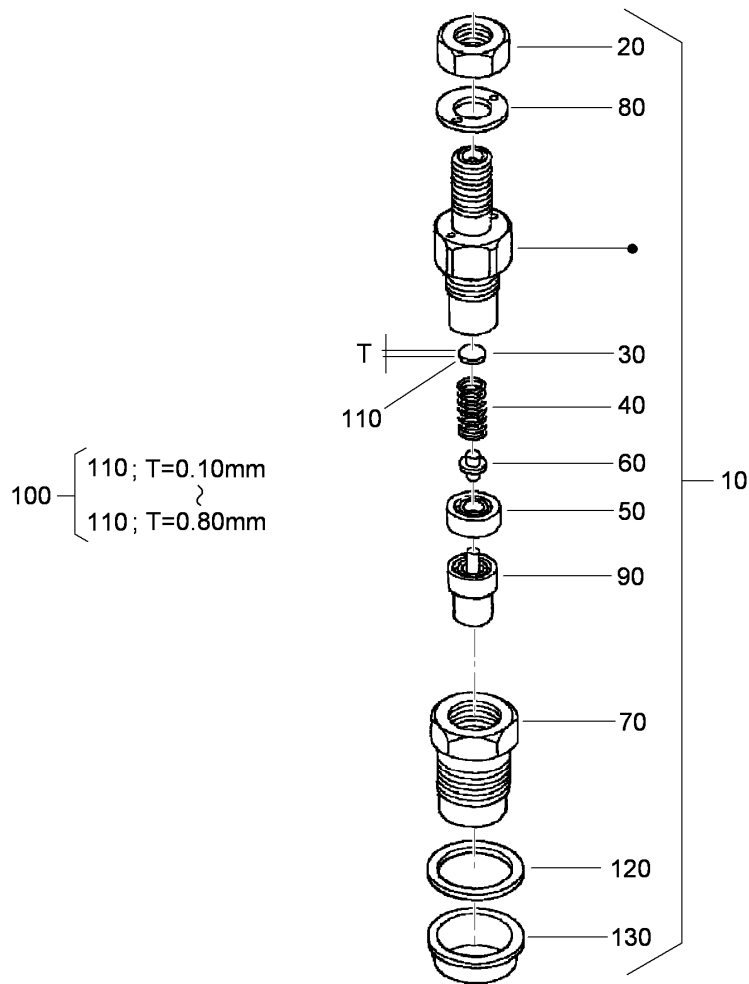
## Speed Control Plate Assembly

<i>Ref.</i>	<i>Part Number</i>	<i>Qty.</i>	<i>Description</i>
10	105-3735	1	Control Plate ASM
20	98-9662	1	Lever-Control, Speed
30	98-9572	2	Lever-Control, Speed
40	105-3788	1	O-Ring
50	98-7602	2	Pin-Spring
60	98-9594	2	Washer-Plain
70	98-9589	2	Nut
80	98-9658	1	Governor Lever ASM
90	98-9663	1	Lever-Stop, Engine
100	98-7601	1	Seal-Oil
110	98-9472	1	Spring-Return
120	98-9664	1	Shaft-Lever, Stop
130	98-9637	1	Gasket
140	98-7692	1	Bolt
150	99-8348	1	Bolt
160	98-7654	2	Gasket
170	105-3710	2	Stud
180	98-7572	2	Nut
190	98-7699	2	Washer-Spring



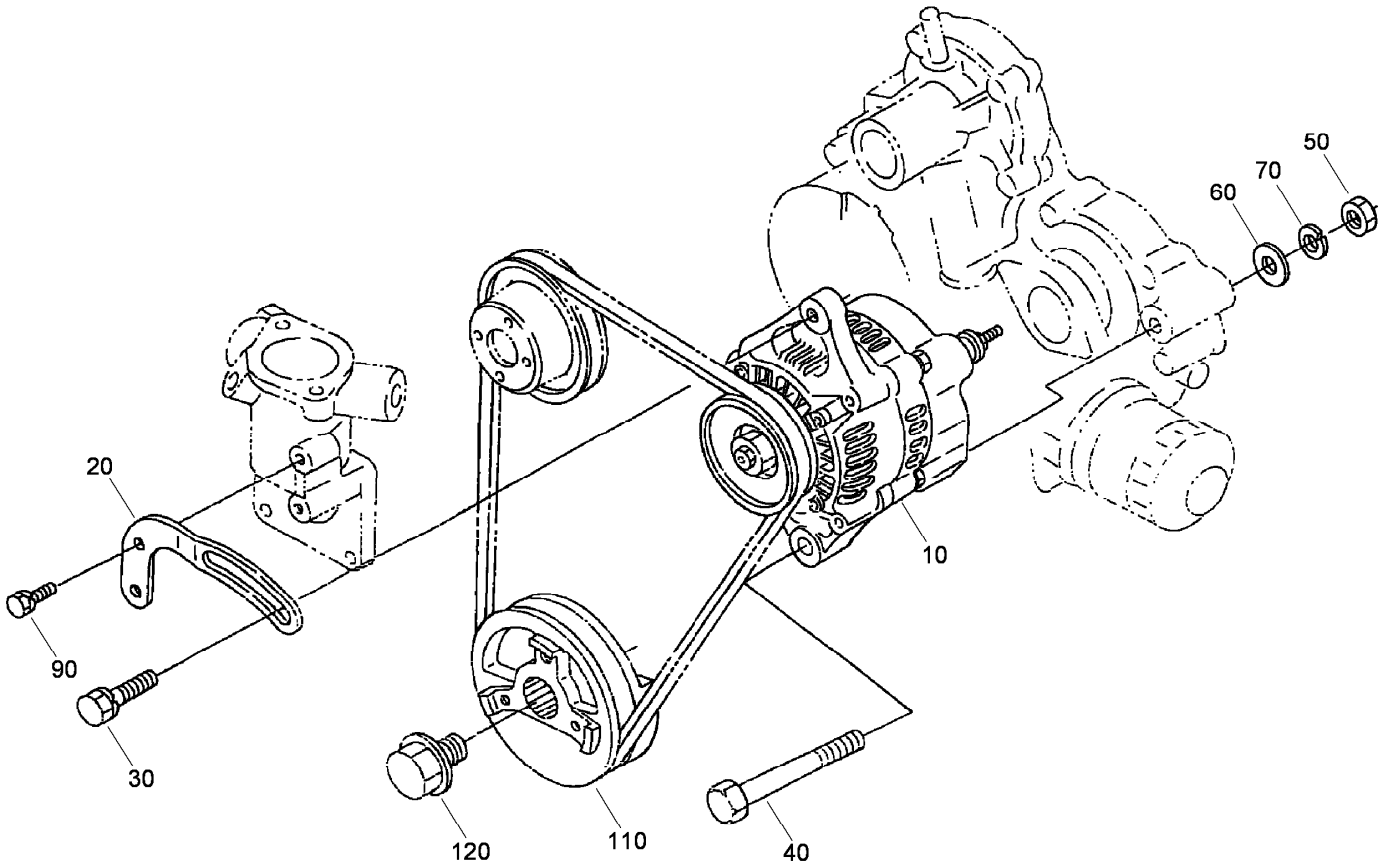
## Nozzle Holder and Glow Plug Assembly

Ref.	Part Number	Qty.	Description
10	98-9620	1	Overflow Pipe ASM
20	98-9431	1	Screw-Bleeder, Air
30	98-7654	1	Gasket
40	98-9420	1	Overflow Pipe ASM
45	112-0182	1	Pipe-Overflow
50	98-7671	2	Clip-Pipe
60	108-2866	3	Nozzle Holder Kit
70	98-7676	3	Gasket
80	98-7677	3	Seal-Heat
90	98-9653	1	Pipe-Injection
100	98-9654	1	Pipe-Injection
110	98-9655	1	Pipe-Injection
120	98-7682	2	Clamp-Pipe
130	98-7683	2	Clamp-Pipe
140	98-7684	2	Screw (W/Washer)
150	115-3019	3	Plug-Glow
160	98-9631	1	Cord-Plug, Glow
170	99-8377	3	Nut-Flange



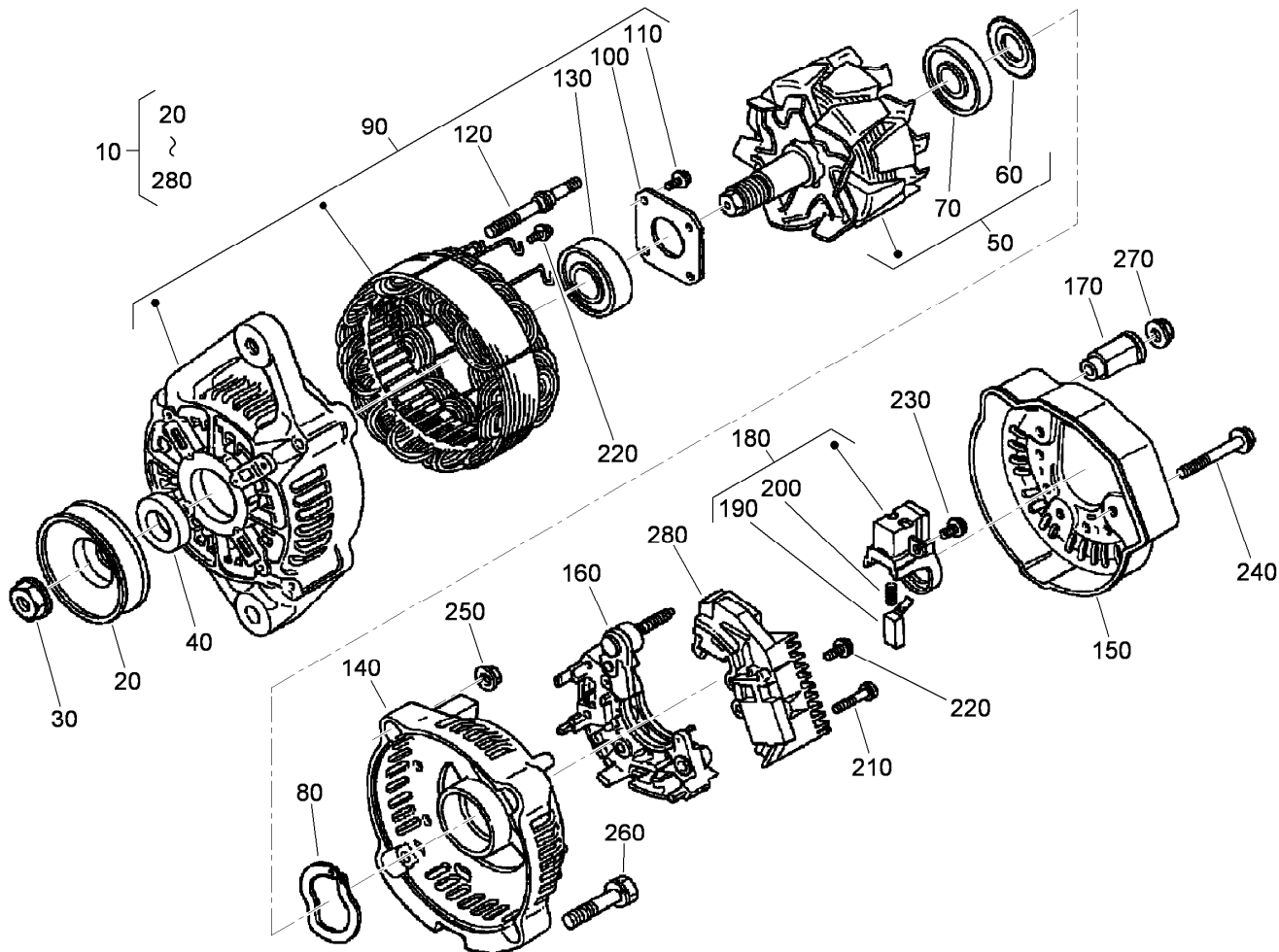
## Nozzle Holder Assembly

Ref.	Part Number	Qty.	Description
10	108-2866	3	Nozzle Holder Kit
20	99-8301	3	Nut
30	99-8302	3	Washer-Adjusting
40	99-8303	3	Spring-Nozzle
50	99-8304	3	Spacer-Distance
60	99-8305	3	Rod-Push
70	99-8306	3	Nut-Nozzle
80	99-8307	3	Washer-Plain
90	107-7826	3	Piece-Nozzle
100	99-8309	3	Adjusting Washer ASM
110	99-8310	3	Washer-Adjust (0.10Mm)
110	99-8311	3	Washer-Adjust (0.20Mm)
110	99-8312	3	Washer-Adjust (0.30Mm)
110	99-8313	3	Washer-Adjust (0.40Mm)
110	99-8314	3	Washer-Adjust (0.50Mm)
110	99-8315	3	Washer-Adjust (0.52Mm)
110	99-8316	3	Washer-Adjust (0.54Mm)
110	99-8317	3	Washer-Adjust (0.56Mm)
110	99-8318	3	Washer-Adjust (0.58Mm)
110	99-8319	3	Washer-Adjust (0.80Mm)
120	98-7676	3	Gasket
130	98-7677	3	Seal-Heat



## Alternator and Pulley Assembly

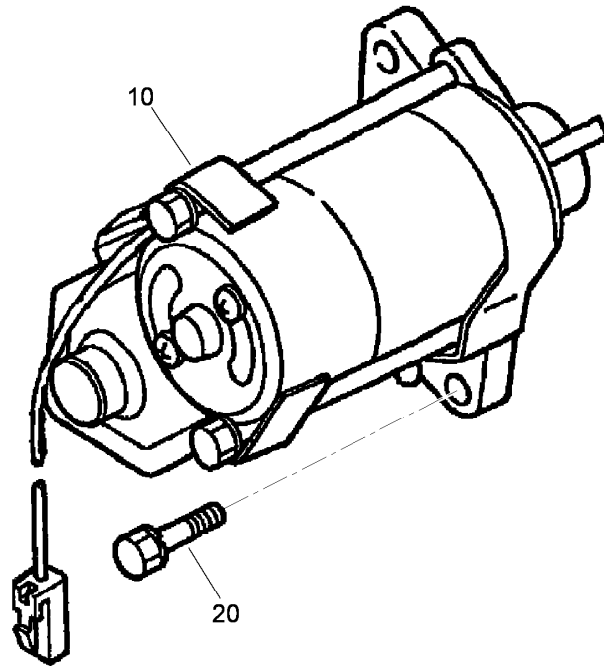
<i>Ref.</i>	<i>Part Number</i>	<i>Qty.</i>	<i>Description</i>
10	98-9474	1	Alternator ASM
20	98-9573	1	Stay-Dynamo
30	108-7088	1	Bolt
40	98-9360	1	Bolt
50	98-7737	1	Nut
60	3256-24	1	Washer-Flat
70	98-7738	1	Washer-Spring
90	98-7692	1	Bolt
110	98-9473	1	Pulley-Drive, Fan
120	98-9585	1	Bolt



## Alternator Components Assembly

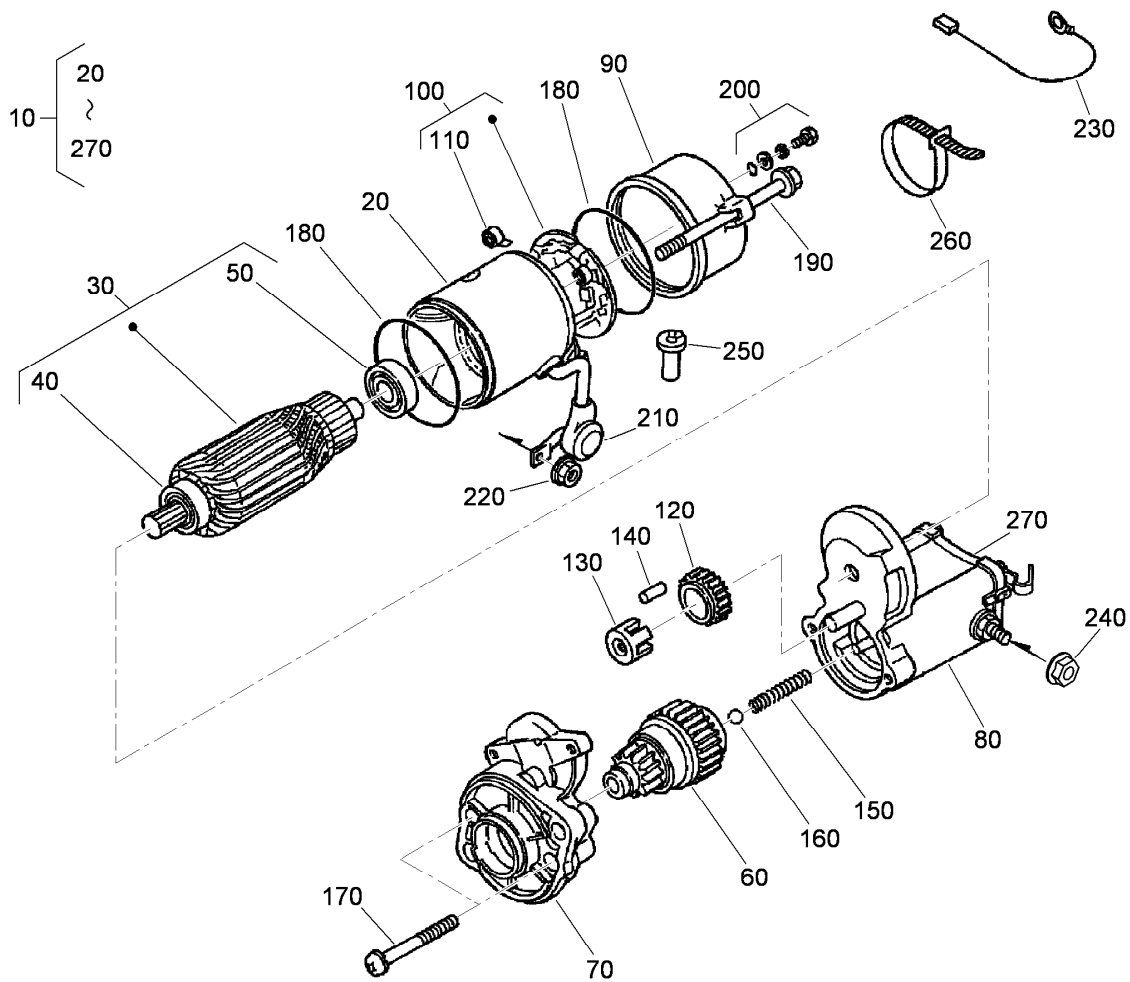
<i>Ref.</i>	<i>Part Number</i>	<i>Qty.</i>	<i>Description</i>
10	98-9474	1	Alternator ASM
20	98-9453	1	Pulley-Dynamo
30	98-7708	1	Nut
40	98-7709	1	Collar
50	107-0136	1	Rotor ASM
60	98-7711	1	Cover-Bearing
70	107-0138	1	Bearing-Ball
80	98-7713	1	Washer-Thrust
90	107-0139	1	Drive End Frame ASM
100	98-7715	1	Plate-Retainer
110	98-7716	4	Screw-Head, Round
120	98-7717	2	Bolt-Through
130	107-0137	1	Bearing-Ball
140	107-9087	1	Frame-End

<i>Ref.</i>	<i>Part Number</i>	<i>Qty.</i>	<i>Description</i>
150	107-0140	1	Cover-End
160	98-7721	1	Rectifier ASM
170	98-7722	1	Bushing-Insulation
180	107-0141	1	Brush Holder ASM
190	98-7724	2	Brush
200	98-7725	2	Spring-Brush
210	98-7726	2	Screw-Head, Round
220	98-7727	6	Screw-Head, Round
230	98-7728	1	Screw-Head, Round
240	98-7729	3	Bolt
250	98-7730	2	Nut
260	98-7731	2	Bolt
270	98-7732	1	Nut
280	110-3799	1	Regulator ASM



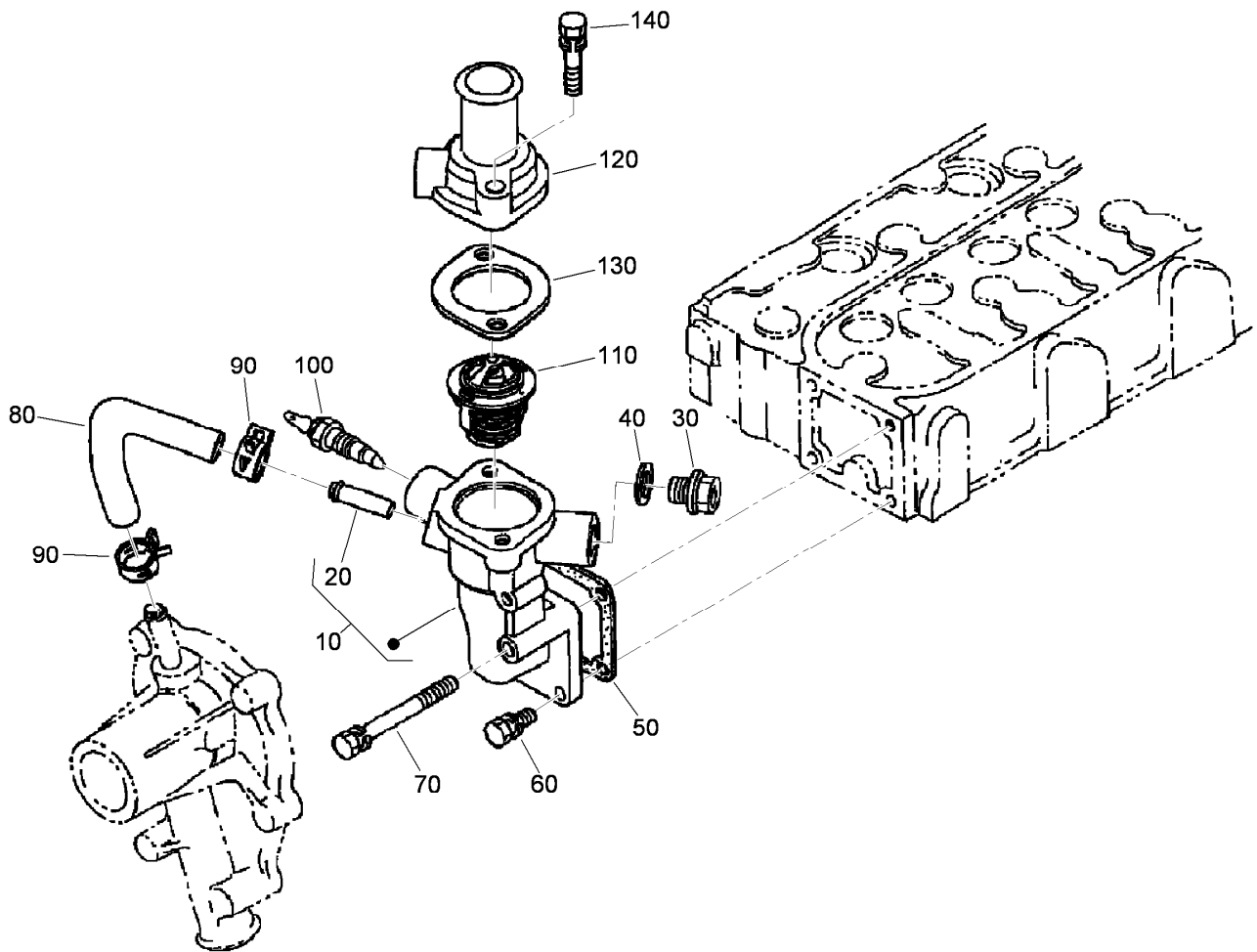
## Starter Assembly

<i>Ref.</i>	<i>Part Number</i>	<i>Qty.</i>	<i>Description</i>
10	98-9705	1	Starter ASM
20	98-7697	2	Bolt



## Starter (Component Part) Assembly

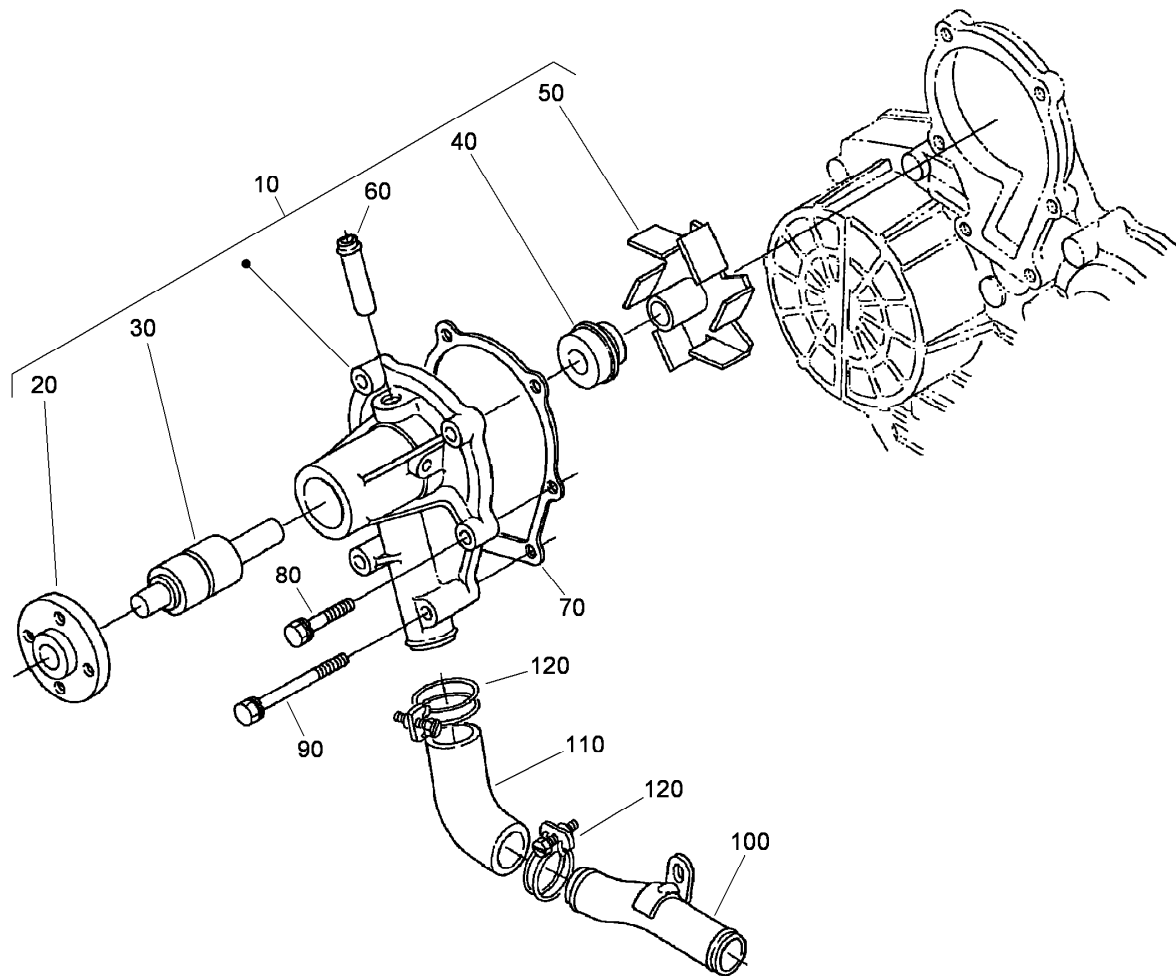
<i>Ref.</i>	<i>Part Number</i>	<i>Qty.</i>	<i>Description</i>	<i>Ref.</i>	<i>Part Number</i>	<i>Qty.</i>	<i>Description</i>
10	98-9705	1	Starter ASM	150	98-7754	1	Spring
20	104-8608	1	Yoke ASM	160	98-7755	1	Ball
30	98-7742	1	Armature ASM	170	98-7756	2	Bolt
40	98-7744	1	Bearing	180	98-7757	2	O-Ring
50	98-7743	1	Bearing	190	100-9240	2	Bolt
60	99-8373	1	Clutch-Running, Over	200	98-7758	2	Bolt ASM
70	99-8374	1	Frame-End, Drive	210	99-8375	1	Cover
80	105-3746	1	Magnetic Switch ASM	220	99-8371	1	Nut-Hex
90	98-7748	1	Frame-End	230	98-9711	1	Cord-Solenoid, Stop
100	98-7749	1	Brush Holder ASM	240	99-8376	1	Nut-Hex
110	98-7750	4	Spring-Brush	250	98-7759	1	Pipe-Drain
120	98-7751	1	Gear	260	98-9712	1	Band-Cover
130	98-7752	1	Retainer	270	105-2886	1	Cover ASM
140	98-7753	5	Roller				



## Water Flange and Thermostat Assembly

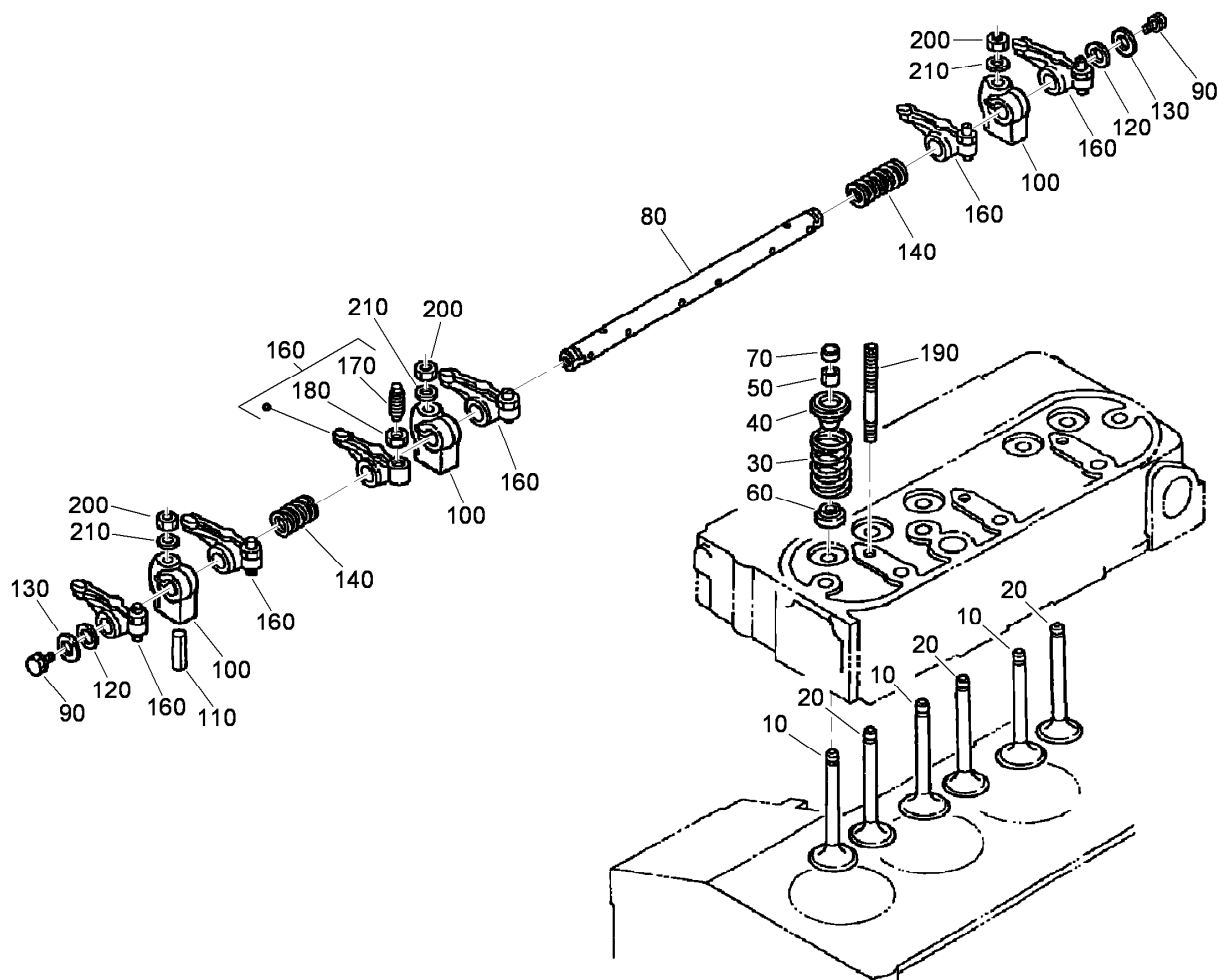
<i>Ref.</i>	<i>Part Number</i>	<i>Qty.</i>	<i>Description</i>
10	98-9713	1	Water Flange ASM
20	98-9580	1	Pipe-Return, Water
30	105-3747	1	Plug
40	99-3583	1	Gasket
50	98-9638	1	Gasket-Flange, Water
60	98-7692	3	Bolt
70	98-9356	1	Bolt
80	98-9578	1	Pipe-Return, Water
90	98-9579	2	Band-Pipe
100	98-9719	1	Thermoswitch
110	98-7778	1	Thermostat ASM
120	98-9471	1	Cover-Thermostat
130	105-3748	1	Gasket-Thermostat
140	98-7777	2	Bolt





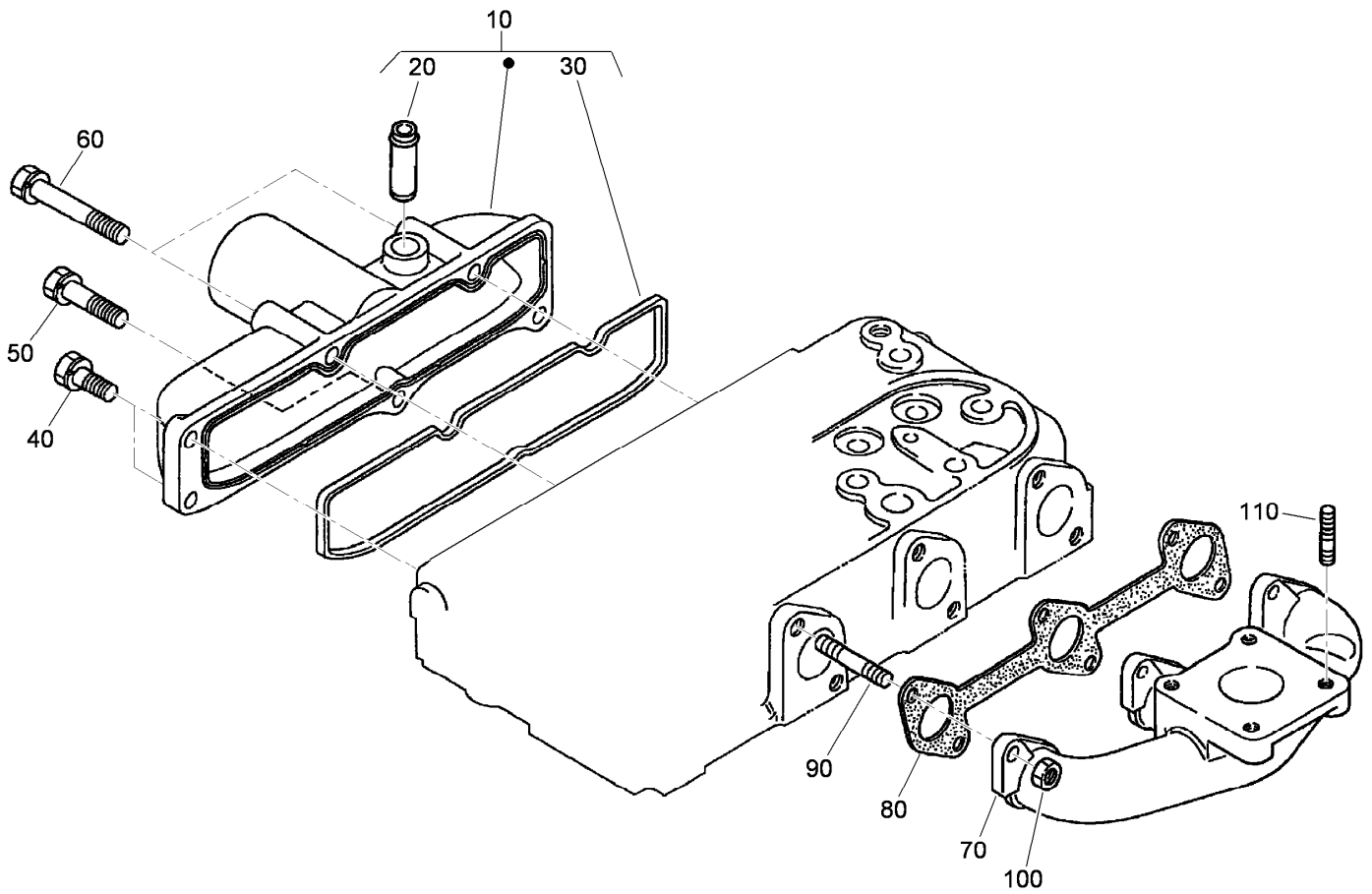
## Water Pump Assembly

<i>Ref.</i>	<i>Part Number</i>	<i>Qty.</i>	<i>Description</i>
10	107-9089	1	Water Pump ASM
20	99-3516	4	Flange-Pump, Water
30	99-3517	1	Bearing-Pump, Water
40	105-3750	1	Mechanical Seal ASM
50	112-8403	1	Impeller ASM
60	100-1932	1	Pipe-Return, Water
70	99-3454	1	Gasket-Pump, Water
80	98-9353	4	Bolt
90	107-9090	2	Bolt
100	98-9716	1	Pipe-Water
110	107-9091	1	Pipe-Water
120	98-9717	2	Clamp



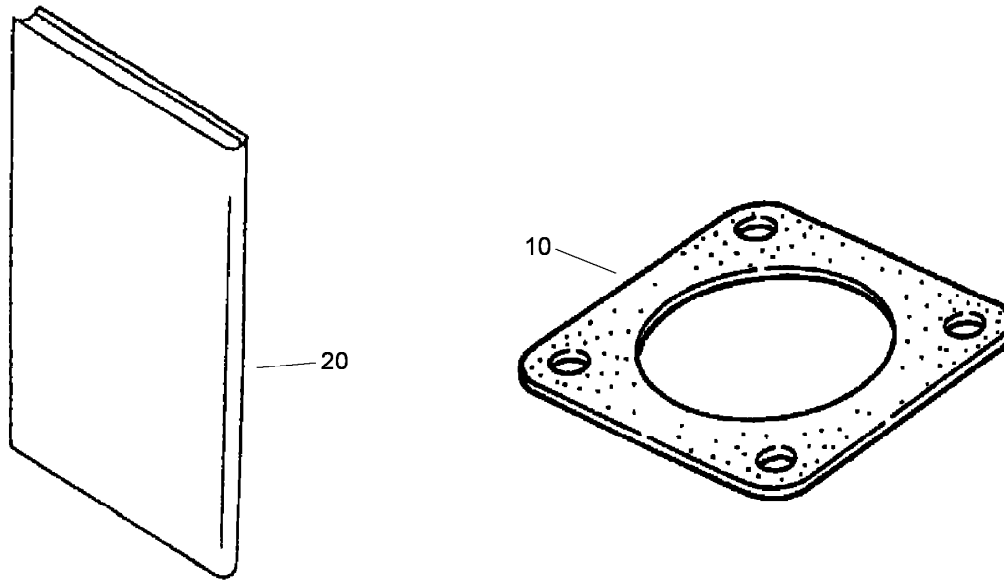
## Valve and Rocker Arm Assembly

<i>Ref.</i>	<i>Part Number</i>	<i>Qty.</i>	<i>Description</i>
10	112-7018	3	Valve-Inlet
20	98-9495	3	Valve-Exhaust
30	98-9648	6	Spring-Valve
40	107-9092	6	Retainer-Spring
50	98-9390	6	Collet-Spring, Valve
60	99-8385	6	Seal-Stem, Valve
70	98-9497	6	Cap-Valve
80	105-3790	1	R-Arm Shaft ASM
90	100-9265	2	Bolt
100	98-9505	3	Bracket-Arm, Rocker
110	105-3758	1	Pin-Spring
120	98-9507	2	Washer-Shaft, R-Arm
130	3256-1	2	Washer-Flat
140	98-9504	2	Spring-Arm, Rocker
160	98-9501	6	Rocker Arm ASM
170	98-9502	6	Screw-Adjusting
180	98-9503	6	Nut
190	98-9506	3	Stud
200	98-9393	3	Nut
210	98-9385	3	Washer-Flat



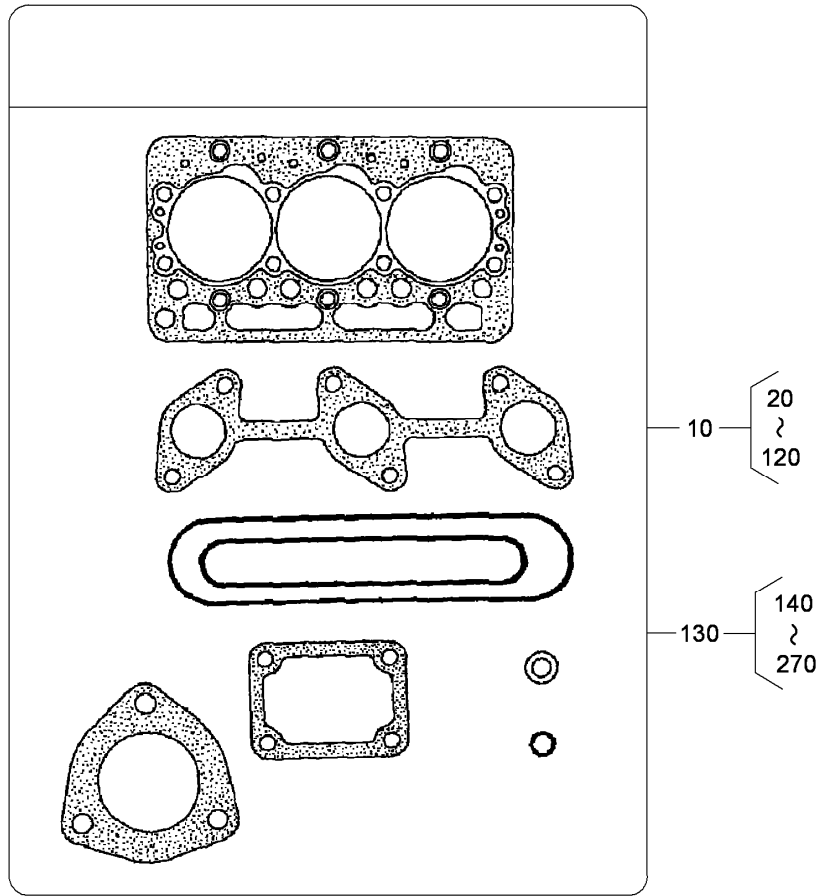
## Inlet and Exhaust Manifold Assembly

<i>Ref.</i>	<i>Part Number</i>	<i>Qty.</i>	<i>Description</i>
10	108-6577	1	Inlet Manifold ASM
20	98-9492	1	Joint-Pipe, Breather
30	98-9609	1	Gasket-Manifold, Inlet
40	98-7605	3	Bolt
50	98-9353	1	Bolt
60	105-3797	2	Bolt
70	107-9093	1	Manifold-Exhaust
80	99-8327	1	Gasket-Manifold, Exhaust
90	98-9588	6	Stud
100	98-9665	6	Nut
110	98-7769	4	Stud



## Muffler Gasket and Operator Manual

<i>Ref.</i>	<i>Part Number</i>	<i>Qty.</i>	<i>Description</i>
10	99-8343	1	Gasket-Muffler
20	99-8954	1	Manual-Kubota



## Upper and Lower Gasket Kits

<i>Ref.</i>	<i>Part Number</i>	<i>Qty.</i>	<i>Description</i>
10	107-7848	1	Upper Gasket Kit
130	107-9095	1	Lower Gasket Kit

# Attachments and Accessories

## For 30626 Groundsmaster 328-D Traction Unit

<b>Product Name</b>	<b>Model/Part</b>
Jack Pad Kit.....	106-4386
2-Wheel Drive Rear Axle Kit .....	106-8060
Premium Engine Oil, 10w30 (Drum) .....	108-1179
Premium Engine Oil, 10w30 (Pail) .....	108-1180
Premium Engine Oil, 15w40 (Drum) .....	108-1181
Premium Engine Oil, 15w40 (Pail) .....	108-1182
Premium Transmission/Hydraulic Tractor Fluid (Drum) .....	108-1183
Premium Transmission/Hydraulic Tractor Fluid (Pail) .....	108-1184
Premium All Purpose Grease (Tube) .....	108-1190
Tire Chains (23 x 8.50-12) .....	11-0390
Wheel Weight Kit .....	11-0440
5 Inch Air Cleaner Safety Element .....	114-4057
Tube-Inner (23 x 8.50-12) .....	231-90
Rear Weight Kit.....	24-5780
Weight-Rear .....	24-5790-01
400-hour Filter Maintenance Kit.....	30059
Bimini Sunshade for 2-Post Roll-Over Protection System .....	30358
Hardtop Sunshade.....	30359
Standard Seat Kit.....	30623
Deluxe Seat Kit.....	30625
Seat Adapter Kit.....	30628
Cruise Control Kit.....	30677
Arm Rest Kit.....	30707
72in Rear Discharge Mower .....	30710
72in Guardian Recycler Mower.....	30716
72in Side Discharge Mower .....	30722
Rotary Broom .....	30743
48in V-Plow.....	30750
48in V-Plow Mounting Kit.....	30757
Debris Blower .....	30855
Wide Wheel and 4-Ply Tire ASM.....	62-7020
Wheel and 6-Ply Tire ASM.....	69-9870
Spark Arrestor Screen .....	75-6880
Auxiliary Valve Kit .....	93-3169

**Notes:**



**Count on it.**