



Count on it.

Parts Catalog

Z590-D Z Master®

**With 72in TURBO FORCE® Side Discharge
Mower**

Model No. 74269—Serial No. 290000001 and Up

Ordering Replacement Parts

To order replacement parts, please supply the part number, the quantity, and the description of each part desired.

Understanding Reference Numbers

Each identified part in an illustration has a reference number. The reference number for a part also appears in the parts list, along with other information about the part.

This catalog uses two special reference number formats, one to indicate parts in a service assembly and another to indicate the quantity of a given part in an illustration.

Service Assembly Reference Numbers

Parts in service assemblies have reference numbers in the form a:b. The a represents the reference number of the entire service assembly and the b represents a sequential number unique to each part within the service assembly.

For example, a wheel assembly might be identified by reference number 6, the tire by 6:1, the valve by 6:2, and the wheel by 6:3. When you order the assembly identified by reference number 6, you receive all parts identified by reference numbers 6:1, 6:2, and 6:3. However, you may also order any part individually. Reference numbers of this type appear in illustration and in parts lists.

Reference Numbers Indicating Quantity

In an illustration, if a reference number indicates more than one part, the reference number has the form nX y. The n represents the quantity of the part, the X is the multiplication symbol, and the y represents the reference number.

For example, in an illustration, the reference number 2X 37 means that two of the parts identified by reference number 37 are indicated.

List of Abbreviations

AR: as required

ASM: assembly

BBC: blade brake control

BHTF: button head thread forming

CARR: carriage

CCW: counter clockwise

CW: clockwise

DEG: degrees

DPA: Dual Point Adjustment

ECM: electronic control module

EXT: external

FH: flat head

GA: gauge

HD: heavy-duty

HF: hex flange

HH: hex head

HHF: hex head flange

HHFTF: hex head flange thread forming

HJ: hex jam

HLH: hex lag head

HOC: height-of-cut

HSBH: hex socket button head

HSFH: hex socket flat head

HSH: hex socket head

HWH: hex washer head

HWTF: hex washer head thread forming

HYD: hydraulic

LH: left hand

LP: Liquid Propane

NI: nylon insert

NPTF: national pipe thread fine

PFH: phillips flat head

PPH: phillips pan head

PPHTF: phillips pan head thread forming

PRH: phillips round head

PTH: phillips truss head

PTO: power-take-off

RH: right hand

ROPS: roll-over protection system

RRB: rear roller brush

SFH: slotted fillister head

SHH: slotted hex head

SHWH: slotted hex washer head

SPH: slotted pan head

SQH: square head

SRH: slotted round head

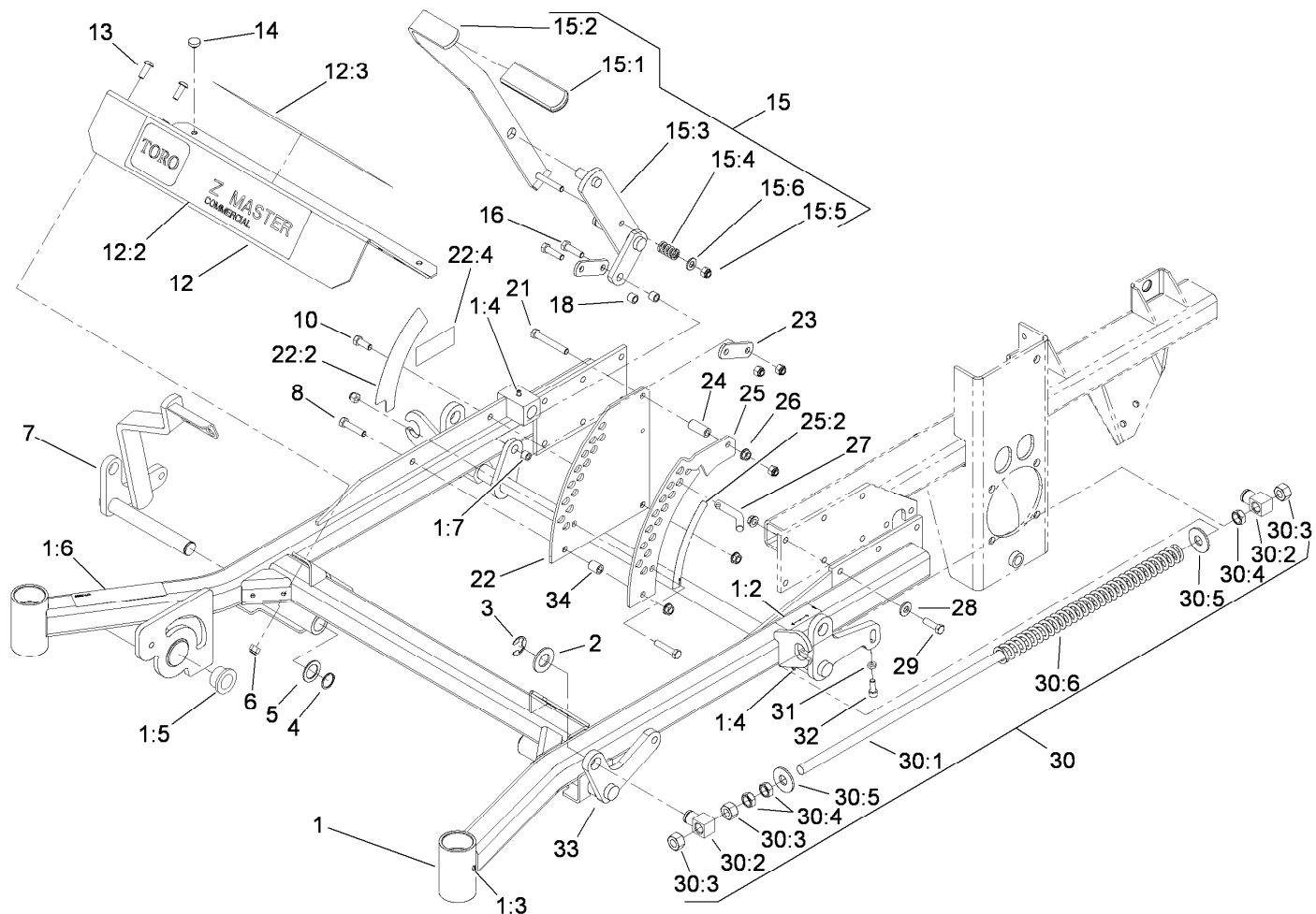
STD: standard

TAP: self tapping

TTH: torx truss head

Contents

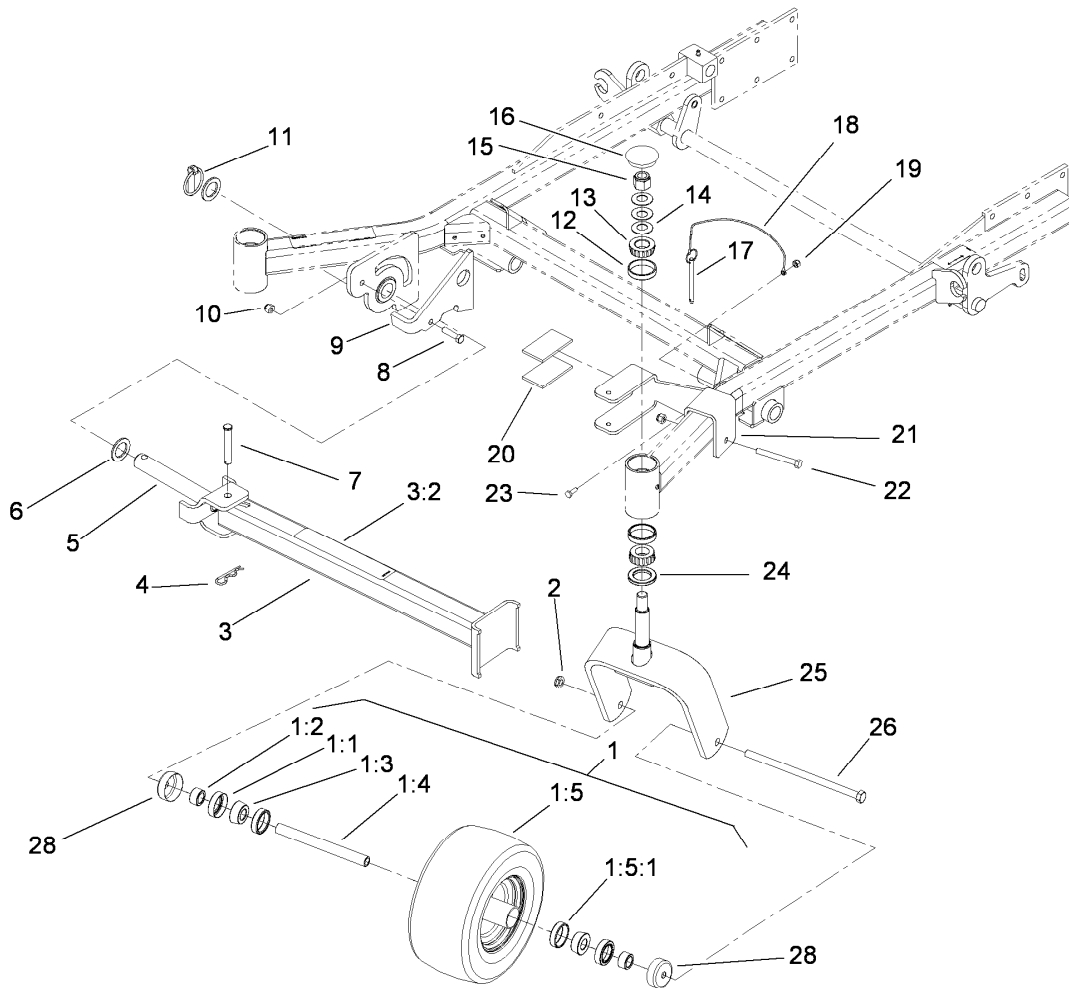
Front Frame Assembly	4
Caster Wheel and Z Stand Assembly	5
Engine Frame, Console and Floor Pan Assembly	6
Seat and Roll-Over Protection System Assembly	7
Deluxe Seat Assembly No. 110-0838	8
Roll-Over Protection System Assembly No. 106-7437	9
Wheel and Brake Assembly	10
Motion Control Assembly	11
RH Motion Control Assembly No. 109-3978	12
LH Motion Control Assembly No. 109-3979	13
Engine Mount Assembly	14
Wheel Pump Drive Assembly	15
Deck Belt Drive Assembly	16
Cooling Pump Drive Assembly	17
Hydraulic System Assembly	18
Tank and Fuel Line Assembly	20
Front and Rear Engine Cover Assembly	22
Cooling System Assembly	24
Hood Assembly	25
Deck Connection Assembly	26
Deck Assembly	27
Pulley and Bearing Assembly No. 114-0210	29
Deck Decal Assembly No. 117-3859	30
Spindle Assembly No. 110-3933	31
Lever Assembly No. 107-1664	32
Rubber Deflector Assembly No. 108-2792	33
Electrical Assembly	34
Cylinder Assembly	35
Crankshaft Assembly	36
Cylinder Head Assembly	37
Injection Pump Assembly	38
Camshaft Assembly	39
Oil Pan Assembly	40
Gear Cover Assembly	41
Gear Housing Assembly	42
Water Pump Assembly	43
Manifold Assembly	44
Starter Motor and Alternator Assembly	45
Alternator Assembly No. 99-9209	46
Gasket Assembly	47
Attachments and Accessories	48



Front Frame Assembly

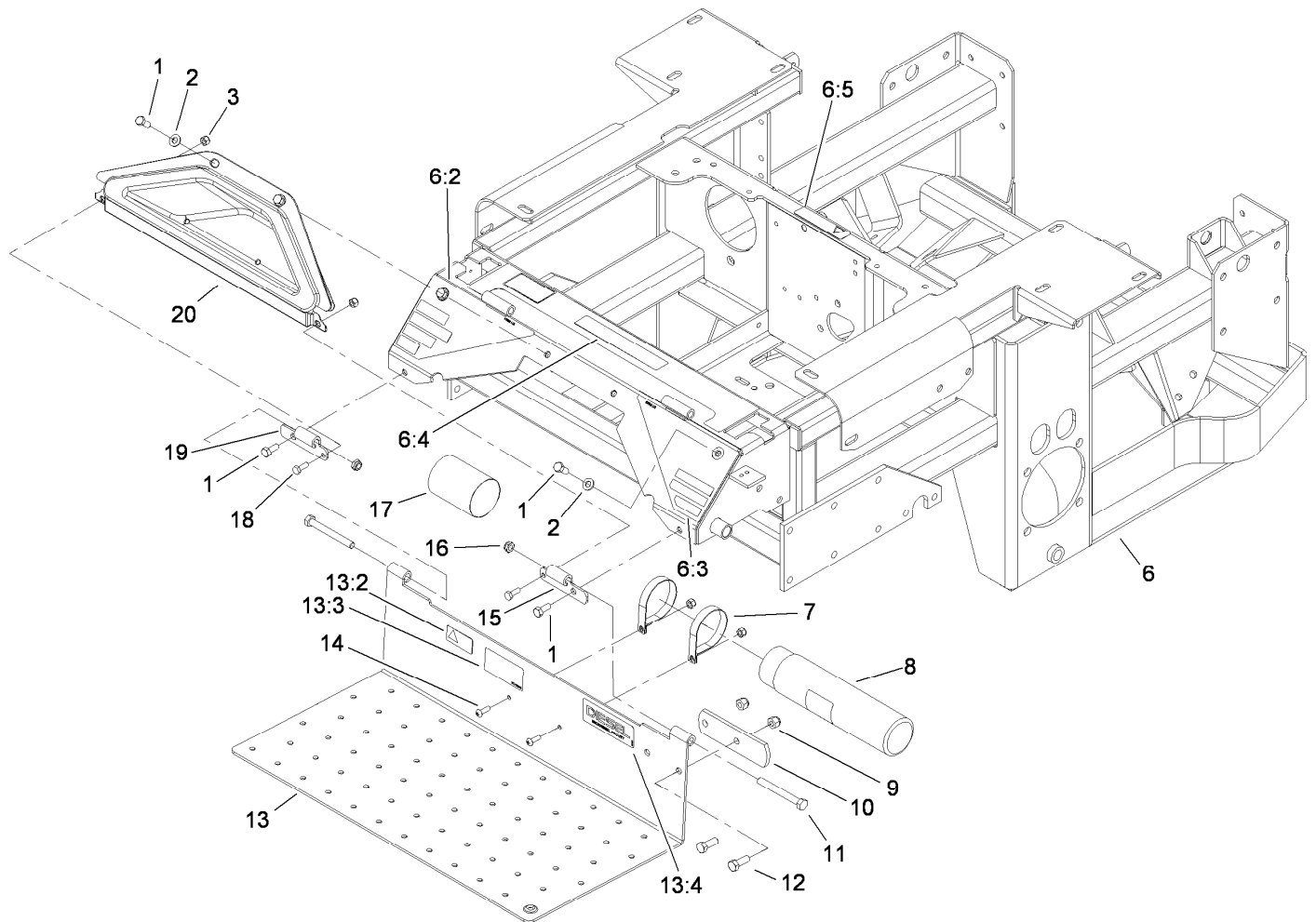
Ref.	Part Number	Qty.	Description	Ref.	Part Number	Qty.	Description
1	110-8724	1	Frame ASM	15:6	3256-24	1	Washer-Flat
1:2	107-1857	1	Decal-Brake, Parking	16	323-29	2	Screw-HH
1:3	1-811010	2	Plug	18	103-1918	2	Bushing
1:4	302-19	5	Fitting-Grease	21	323-11	1	Screw-HH
1:5	94-1291	2	Bushing	22	117-0366	1	Plate-HOC, Outer
1:6	104-7759	1	Decal-Warning	22:2	107-1860	1	Decal-Height, Deck
1:7	103-1918	1	Bushing	22:4	117-2718	1	Decal-Arrester, Spark
2	3256-29	4	Washer-Flat	23	1-633068	2	Arm-Lift, Deck
3	32151-103	5	Ring-Retaining, EXT	24	1-633082	1	Bushing-Lever, Lift
4	32151-29	2	Ring-Retaining	25	117-0369	1	Plate-HOC, Inner
5	1-523157	2	Washer-Spacer	25:2	107-1861	1	Decal-Height, Deck
6	3296-39	8	Nut-Lock, NI	26	3290-357	15	Nut-HHF, Whiz
7	108-7786-01	1	RH Front Deck Lift ASM	27	109-8757	1	Pin-HOC
8	323-9	2	Screw-HH	28	98-5975	12	Washer-Belleville
10	323-6	1	Screw-HH	29	323-7	12	Screw-HH
12	106-9981	1	Footrest	30		2	Front Frame Spring ASM ●
12:2	106-7451	1	Decal	30:1	1-633096	1	Rod-Lift, Deck
12:3	107-2112	1	Decal-Warning	30:2	1-633441	2	Swivel-Deck Mount, Rear
13	3274-94	4	Screw-HSBH	30:3	3217-11	3	Nut-Hex
14	1-513658	2	Bumper	30:4	3218-6	3	Nut-Jam
15	110-5860	1	Deck Lift Handle ASM	30:5	3256-7	2	Washer-Flat
15:1	1-633295	1	Grip-Lever, Lift	30:6	1-643015	1	Spring-Support, Deck
15:2	103-2083	1	Lever-Lift	31	3218-2	2	Nut-Jam
15:3	103-2064	1	Arm-Lift, Deck	32	3274-18	2	Screw-HSH
15:4	1-633325	1	Spring-Compression	33	106-8984-01	1	LH Deck Lift ASM
15:5	3296-39	1	Nut-Lock, NI	34	1-633080	1	Bushing-Lever, Lift

● Not serviced separately



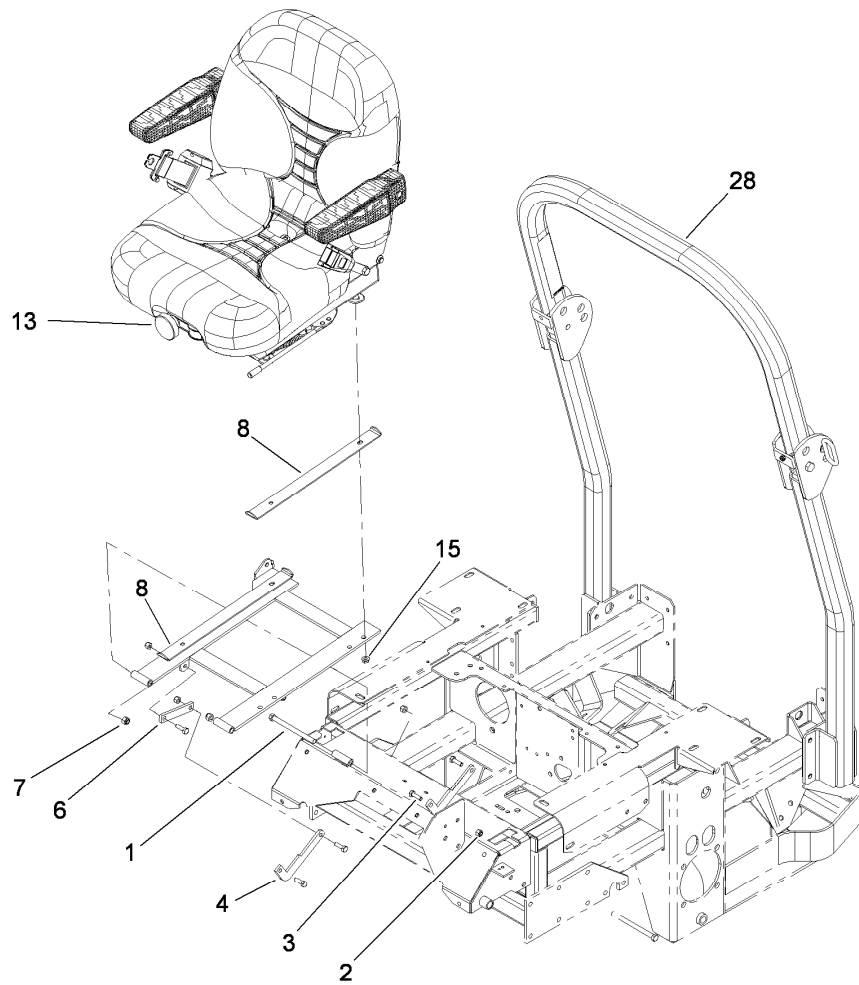
Caster Wheel and Z Stand Assembly

Ref.	Part Number	Qty.	Description	Ref.	Part Number	Qty.	Description
1	109-9127	2	Wheel And Tire ASM	11	283-71	1	Pin-Lynch
1:1	1-633585	2	Bearing-Cone, Taper	12	254-72	4	Bearing-Cup, Tapered
1:2	103-0063	2	Seal-Caster	13	254-94	4	Bearing-Cone, Tapered
1:3	103-3051	2	Spacer-Nut	14	1-633508	6	Washer-Bellville
1:4	103-5156	1	Axle-Caster	15	3296-51	2	Nut-Lock, NI
1:5	109-9124	1	Wheel And Tire ASM	16	103-4882	2	Cap-Grease
1:5:1	1-633584	1	Bearing-Cup	17	105-1647	1	Pin-Hitch, Cotterless
2	3296-23	2	Nut-Lock, NI	18	100-9385	1	Lanyard-Nylon
3	107-1874	1	Leg ASM	19	3296-42	1	Nut-Lock, NI
3:2	106-7464	1	Decal-Z Stand	20	100-6547	2	Cushion-Rubber
4	3290-355	1	Pin-Hair	21	108-4136-01	1	Bracket-Cradle
5	100-9692-01	1	Pivot Pin ASM	22	323-20	1	Screw-HH
6	3-6781	2	Washer-Thrust	23	321-4	1	Screw-HH
7	283-55	1	Pin-Clevis	24	1-543511	2	Seal-Grease
8	323-8	1	Screw-HH	25	103-1474-01	2	Caster-Fork
9	100-9686-01	1	Bracket-Latch	26	325-39	2	Screw-HH
10	3296-39	2	Nut-Lock, NI	28	103-2768	2	Guard-Seal



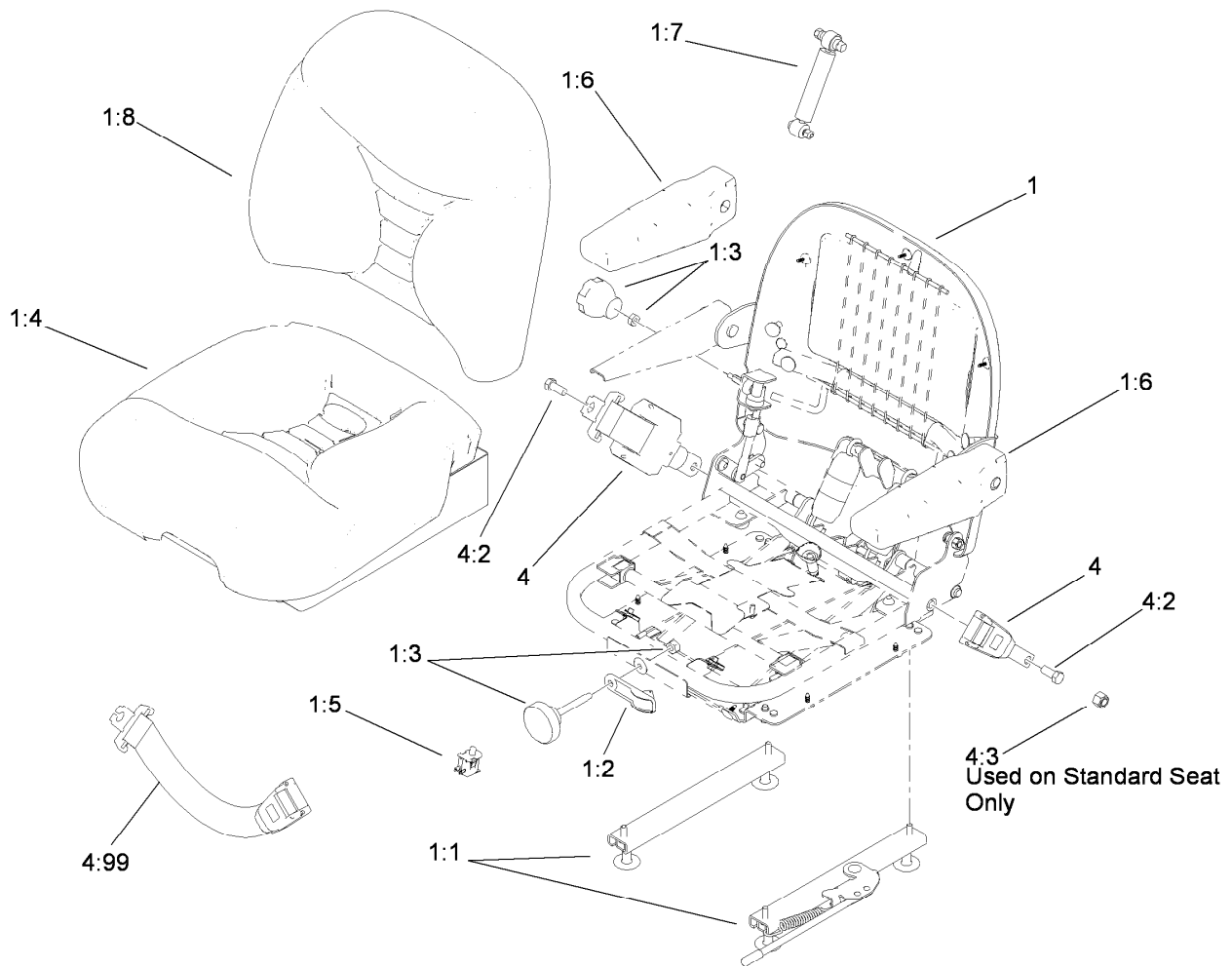
Engine Frame, Console and Floor Pan Assembly

<i>Ref.</i>	<i>Part Number</i>	<i>Qty.</i>	<i>Description</i>	<i>Ref.</i>	<i>Part Number</i>	<i>Qty.</i>	<i>Description</i>
1	322-43	6	Screw-HH	12	323-6	2	Screw-HH
2	3256-70	4	Washer-Flat	13	115-3852	1	Floor Pan ASM
3	3296-42	4	Nut-Lock, NI	13:2	98-4387	1	Decal-Protection, Ear
6	115-3551	1	Engine Frame ASM	13:3	107-1864	1	Decal-Location, Manual
6:2	106-9989	1	Decal-Warning	13:4	114-5879	1	Decal-Diesel, Bio-Ready
6:3	106-7492	1	Decal-Danger	14	3258-166	2	Screw-PRH
6:4	107-9866	1	Decal-Console, Top	15	106-7488-03	1	Hinge-Floorpan, LH
6:5	98-5954	2	Decal-Cover, Missing	16	3296-59	2	Nut-Lock, NI
7	107-1865	2	R-Clamp	17	104-7048	1	Cap-Housing
8	104-7050	1	Tube-Manual	18	321-4	2	Screw-HH
9	3296-39	2	Nut-Lock, NI	19	106-7489-03	1	Hinge-Floorpan, RH
10	1-633964-03	1	Stop-Brake, Park	20	106-7498	1	Pocket
11	323-20	2	Screw-HH				



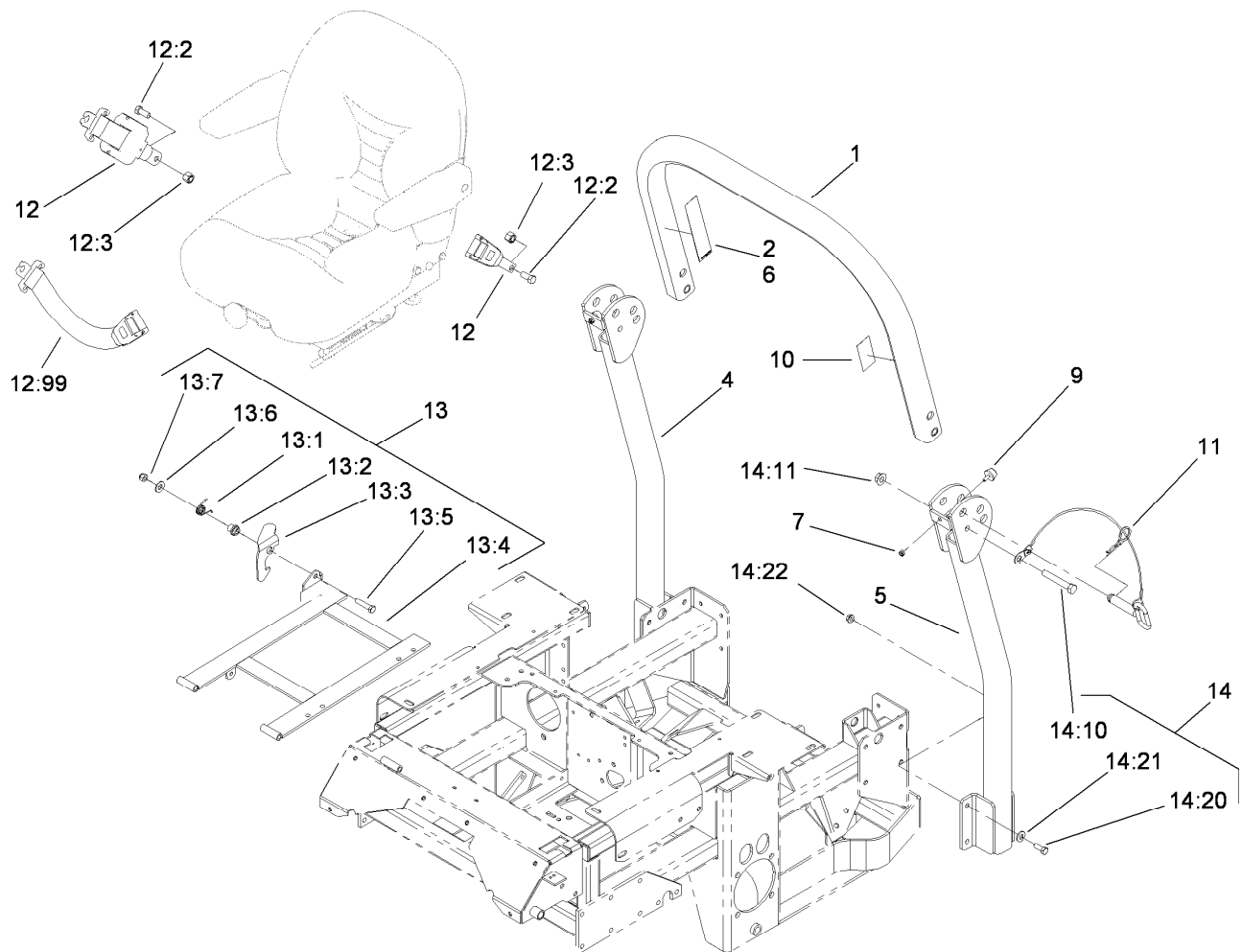
Seat and Roll-Over Protection System Assembly

<i>Ref.</i>	<i>Part Number</i>	<i>Qty.</i>	<i>Description</i>
1	323-39	2	Screw-HH
2	3296-29	4	Nut-Lock, NI
3	322-5	5	Screw-HH
4	109-2759	2	Link-Stop, Seat
6	103-5161	2	Link-Stop, Seat
7	3296-39	2	Nut-Lock, NI
8	1-633872-03	2	Stop-Seat
13	110-0838	1	Deluxe Seat ASM
15	32128-20	4	Nut-HF
28	106-7437	1	ROPS ASM



Deluxe Seat Assembly No. 110-0838

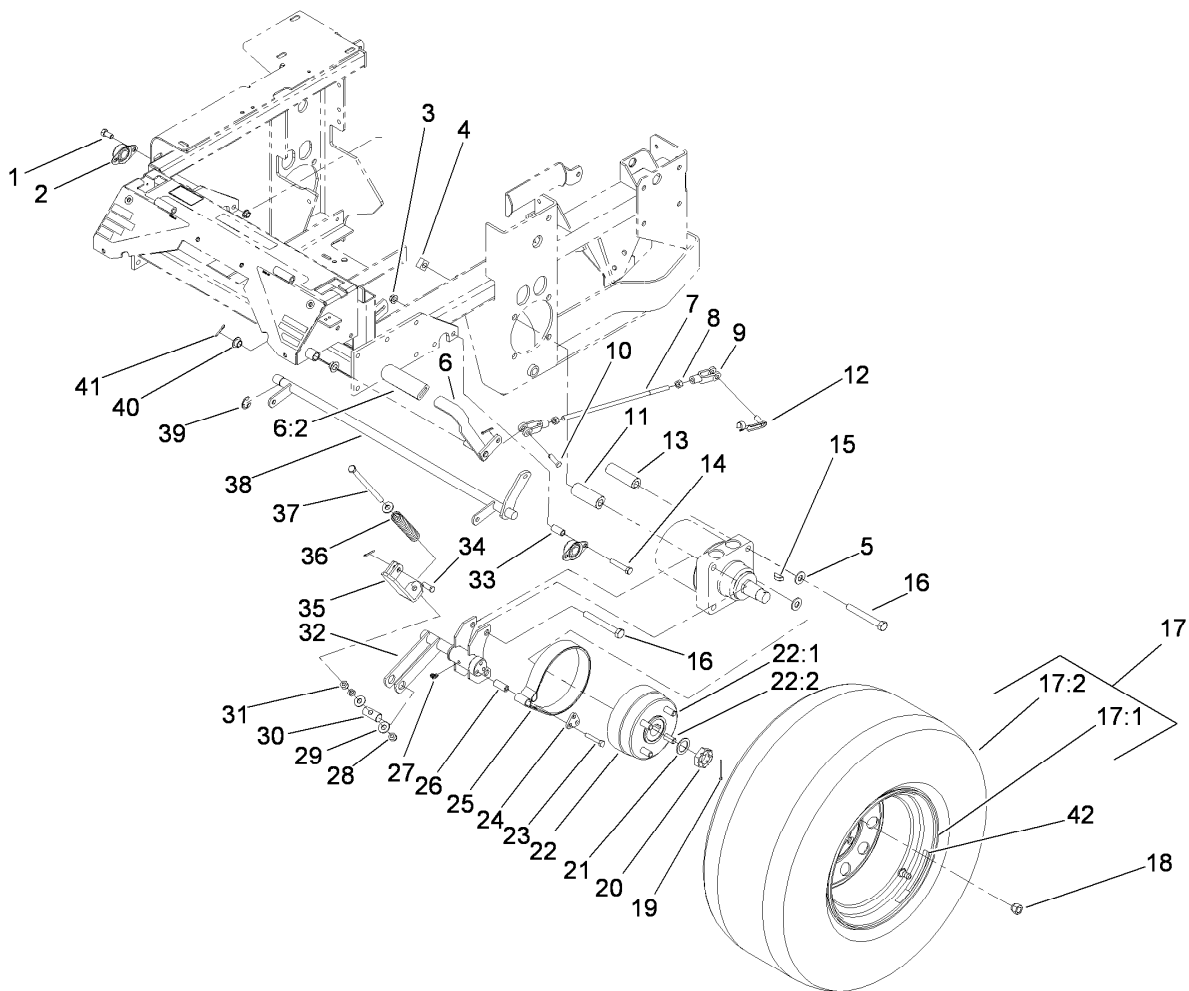
<i>Ref.</i>	<i>Part Number</i>	<i>Qty.</i>	<i>Description</i>
1	112-8355	1	Seat-Suspension
1:1	107-1880	1	Seat Track Kit
1:2	107-1885	1	Weight Indicator Kit
1:3	107-1881	1	Knob Kit
1:4	107-1883	1	Bottom Cushion Kit
1:5	82-2190	1	Switch-Bail
1:6	107-1887	1	Armrest Kit
1:7	107-1884	1	Shock Absorber Kit
1:8	112-8356	1	Cushion-Back
4	110-0883	1	Retractable Seatbelt Kit
4:2	3212-4	2	Screw-HH
4:3	3296-7	2	Nut-Lock
4:99	109-6226	1	Seat Belt Extension Kit



Roll-Over Protection System Assembly No. 106-7437

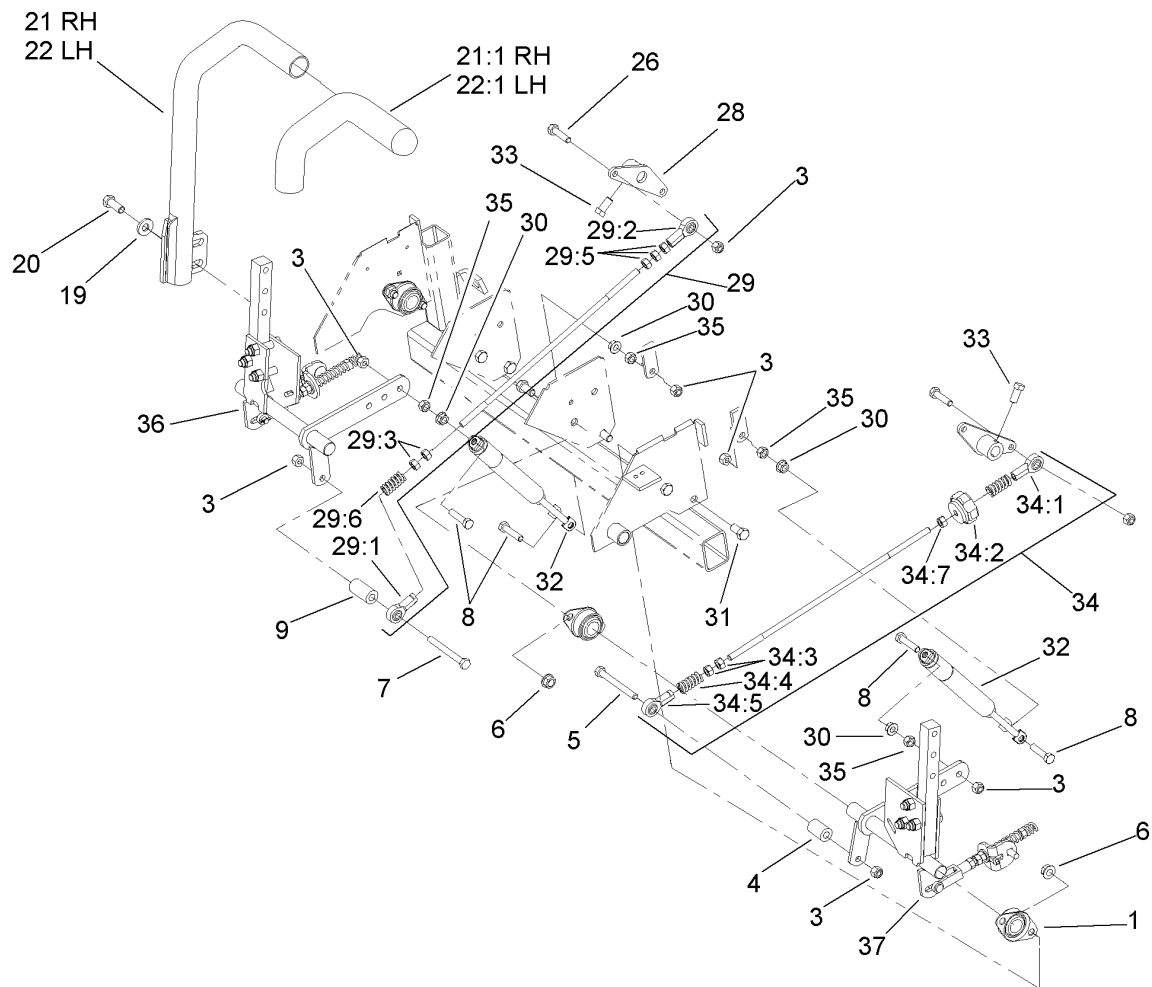
Ref.	Part Number	Qty.	Description	Ref.	Part Number	Qty.	Description
1		1	Upper Tube ASM ●	13	109-1813	1	Seat Frame Single Latch ASM
2	107-2102	1	Decal-Warning, Folding ROPS	13:1	103-5520	1	Catch-Latch, Single
4		1	Tube-Support, RH ●	13:2	103-5519	1	Spring-Torsion, Latch
5		1	Tube-Support, LH ●	13:3	107-0075	1	Bushing-Latch, Seat
6	107-3069	1	Decal-Warning, Folding ROPS	13:4	109-9222-03	1	Frame-Seat
7	3296-73	2	Nut-Lock, NI	13:5	3256-4	1	Washer-Flat
9	109-2365	2	Rubber Bumper ASM (W/Stud)	13:6	3296-39	1	Nut-Lock, NI
10	107-2101	1	Decal-ROPS	13:7	323-9	1	Screw-HH
11	103-4553	2	ROPS Fold Pin ASM	14		1	Bag-Bolt ●
12	110-0883	1	Retractable Seatbelt Kit	14:10	325-13	2	Screw-HH
12:2	3212-4	2	Screw-HH	14:11	32128-23	2	Nut-HF
12:3	3296-7	2	Nut-Lock	14:20	323-8	8	Screw-HH
12:99	109-6226	1	Seat Belt Extension Kit	14:21	98-5975	8	Washer-Belleville
				14:22	3290-357	8	Nut-HHF, Whiz

● Not serviced separately



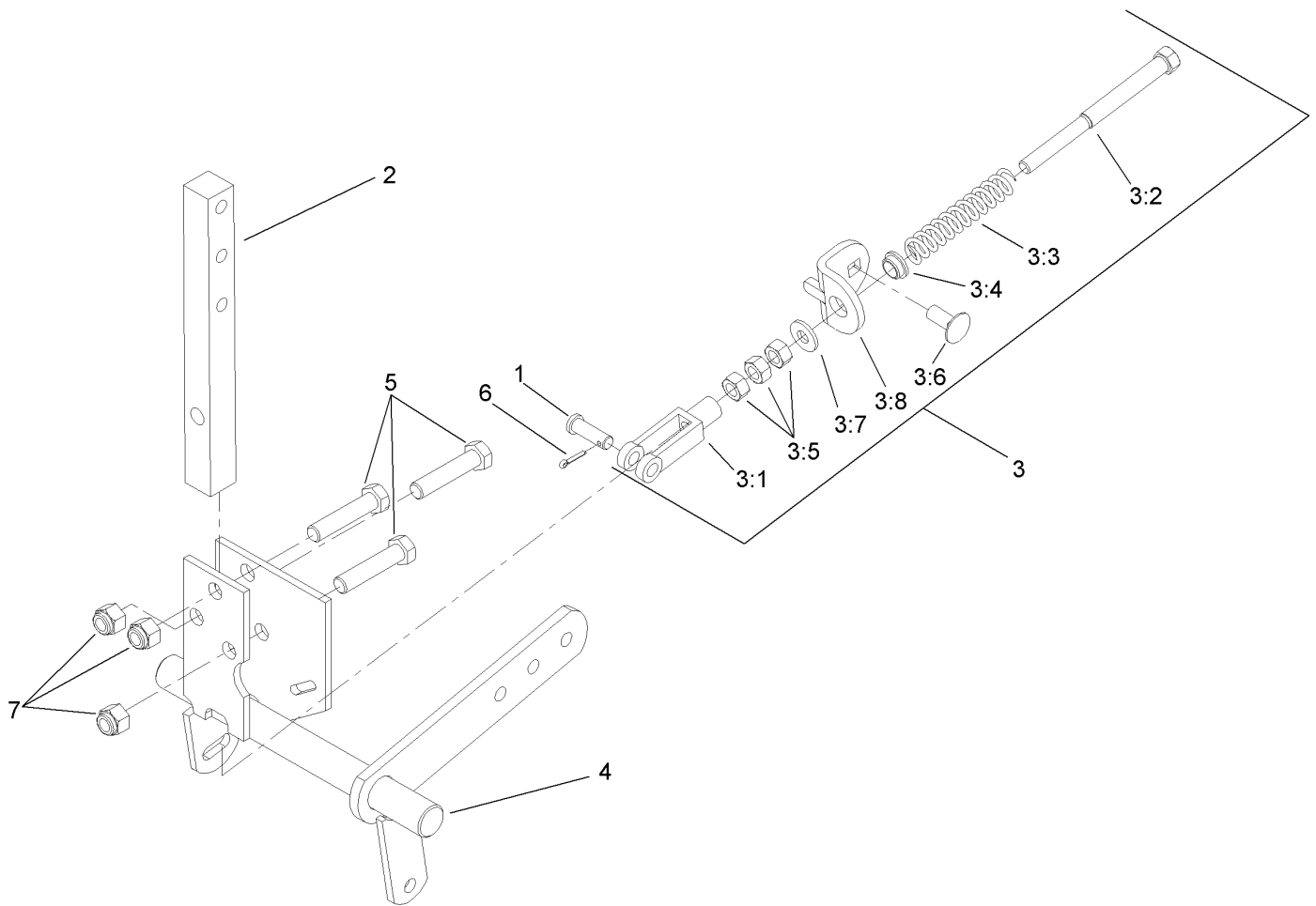
Wheel and Brake Assembly

Ref.	Part Number	Qty.	Description	Ref.	Part Number	Qty.	Description
1	323-4	2	Screw-HH	22	103-0590	2	Hub And Wheel ASM
2	1-633102	2	Bearing-Flange, Side	22:1	103-0589	1	Wheel Hub ASM
3	3290-357	4	Nut-HHF, Whiz	22:2	1-633926	4	Stud-Wheel
4	109-5618	8	Nut-Square, Special	23	322-9	6	Screw-HH
5	87-7270	4	Washer-Thrust	24	103-0374	2	Retainer-Band, Brake
6	103-0197	1	Brake Lever And Grip ASM	25	103-0355	2	Band-Brake
6:2	1-633268	1	Grip-Lever	26	103-0384	6	Spacer
7	103-1708	1	Rod-Brake	27	302-19	2	Fitting-Grease
8	3219-3	2	Nut-Hex	28	3296-39	4	Nut-Lock, NI
9	1-633131	2	Yoke-Linkage, Brake	29	3256-4	6	Washer-Flat
10	1-808285	1	Pin-Clevis	30	1-633144	2	Pin-Trunion
11	109-5011	4	Spacer-Wheel, Short	31	3218-3	2	Nut-Jam
12	103-2399	1	Pin-Spring, Clevis	32	103-0810-03	2	Brake-Wide
13	109-5012	4	Spacer-Wheel, Long	33	103-0051	2	Spacer-Retainer, Brake
14	323-10	2	Screw-HH	34	1-808284	2	Pin-Clevis
15	3257-42	2	Key-Woodruff	35	103-1117-03	2	Linkage-Brake, Lower
16	325-20	8	Screw-HH	36	1-633454	2	Spring-Brake
17	109-3157	2	Wheel And Tire ASM	37	323-58	2	Bolt-TAP, HH
17:1	109-3156	1	Rim ASM	38	103-5243-03	1	Shaft-Brake
17:2	103-4963	1	Tire	39	32151-48	1	E-Ring
18	242-50	8	Nut-Lug	40	1-513140	2	Bearing-Control
19	1-806800	2	Pin-Cotter	41	3272-10	4	Pin-Cotter
20	1-809036	2	Nut-HH	42	109-7949	2	Decal
21	1-523157	2	Washer-Spacer				



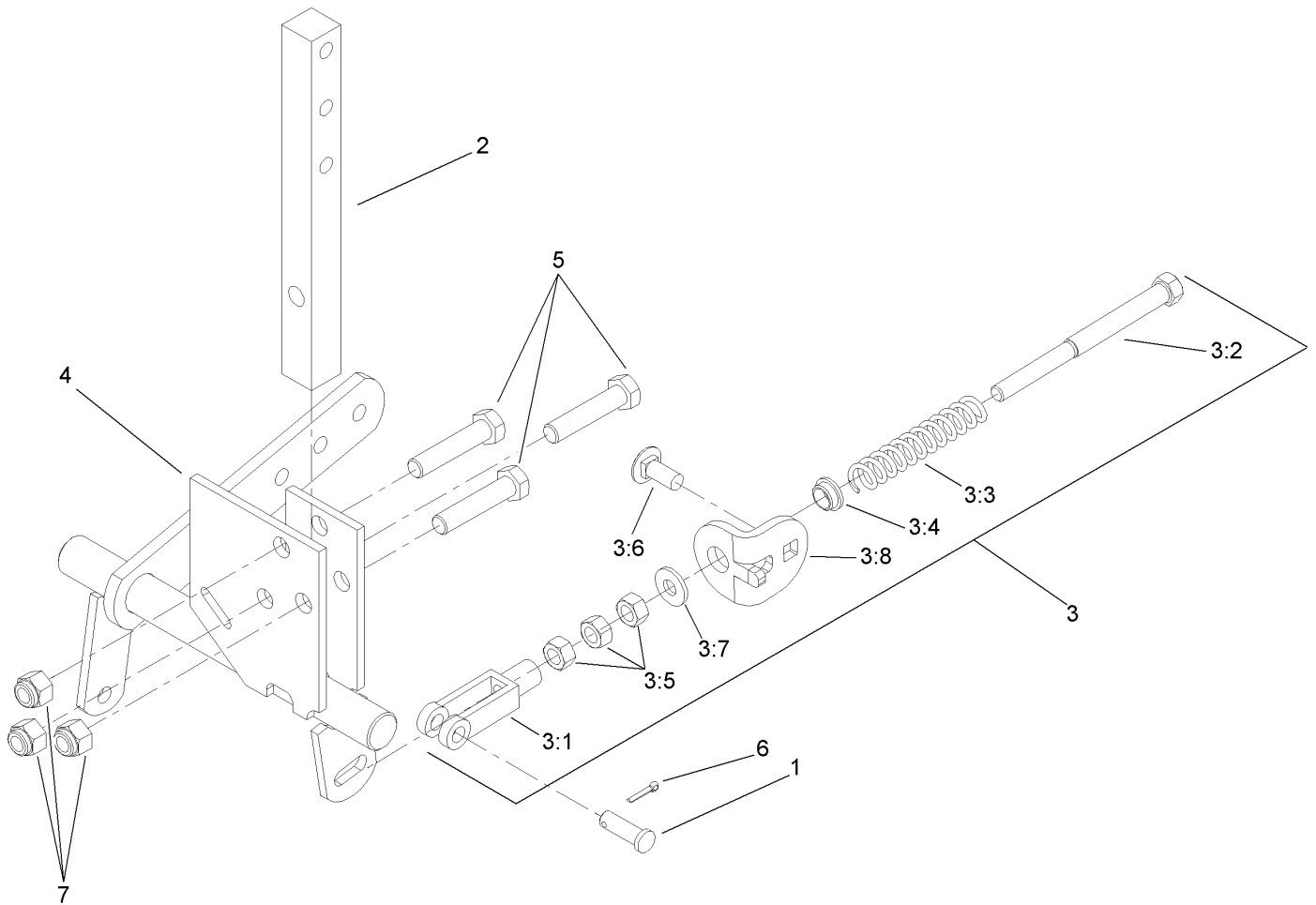
Motion Control Assembly

<i>Ref.</i>	<i>Part Number</i>	<i>Qty.</i>	<i>Description</i>	<i>Ref.</i>	<i>Part Number</i>	<i>Qty.</i>	<i>Description</i>
1	1-633102	4	Bearing-Flange, Side	29:2	1-633152	1	Balljoint-LH
3	3296-29	8	Nut-Lock, NI	29:3	1-804524	2	Nut
4	103-1361	1	Spacer-Hydro Control, LH	29:5	3219-2	3	Nut-Hex
5	322-12	1	Screw-HH	29:6	1-323245	1	Spring-Compression
6	3290-357	8	Nut-HHF, Whiz	30	32128-20	6	Nut-HF
7	322-14	1	Screw-HH	31	323-4	8	Screw-HH
8	1-403180	4	Screw-HH	32	109-2339	2	Damper-Control, Motion
9	103-5192	1	Spacer-Control, HYD	33	1-803022	2	Screw-Set
19	98-5975	4	Washer-Belleville	34	103-3062	1	Tracking Rod ASM
20	323-6	4	Screw-HH	34:1	1-543017	1	Balljoint-RH
21	108-7237	1	RH Lever ASM	34:2	103-3060	1	Knob-Tracking
21:1	106-9987	1	Grip-Control, Motion	34:3	1-804524	2	Nut
22	108-7238	1	LH Lever ASM	34:4	1-323245	2	Spring-Compression
22:1	106-9987	1	Grip-Control, Motion	34:5	1-633152	1	Balljoint-LH
26	322-6	4	Screw-HH	34:7	3219-2	1	Nut-Hex
28	103-0194-03	2	Arm-Control, Hydro	35	3217-6	4	Nut-Hex
29	103-5190	1	RH HYD Connect Link ASM	36	109-3978	1	RH Motion Control ASM
29:1	1-543017	1	Balljoint-RH	37	109-3979	1	LH Motion Control ASM



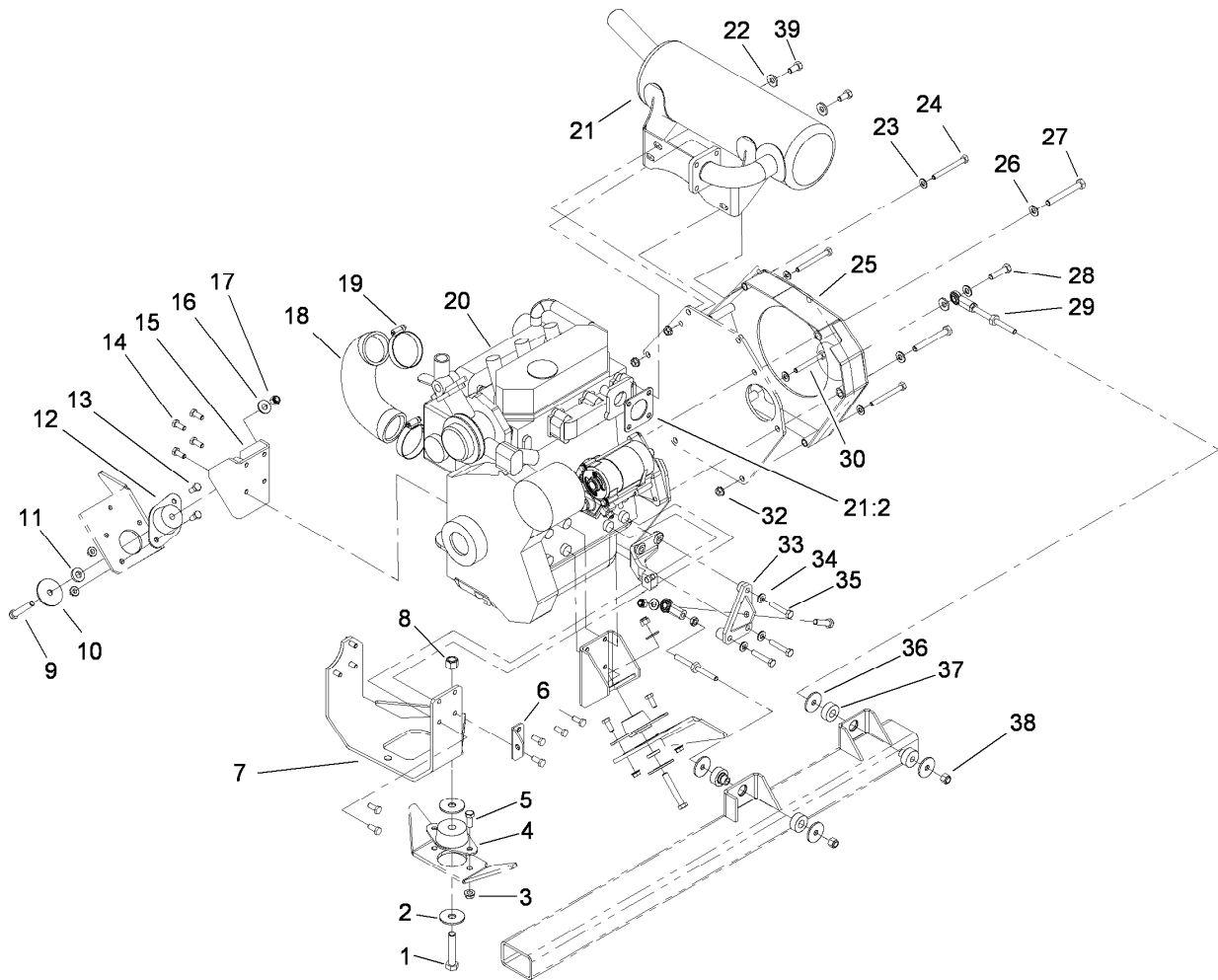
RH Motion Control Assembly No. 109-3978

<i>Ref.</i>	<i>Part Number</i>	<i>Qty.</i>	<i>Description</i>
1	1-808280	1	Pin-Clevis
2	103-0407	1	Arm-Shaft, Control
3	109-3903	1	Neutral Return ASM
3:1	1-303105	1	Yoke-Adjustable
3:2	1-603737	1	Bolt-Return, Neutral
3:3	1-603807	1	Spring-Return, Neutral
3:4	109-3769	1	Bushing-Nylon, Flanged
3:5	3219-2	3	Nut-Hex
3:6	3230-23	1	Screw-CARR
3:7	3256-2	1	Washer-Flat
3:8	109-3908	1	Tab-Adjustment
4	109-3980	1	Control-Motion, RH
5	323-9	3	Screw-HH
6	3272-5	1	Pin-Cotter
7	3296-39	3	Nut-Lock, NI



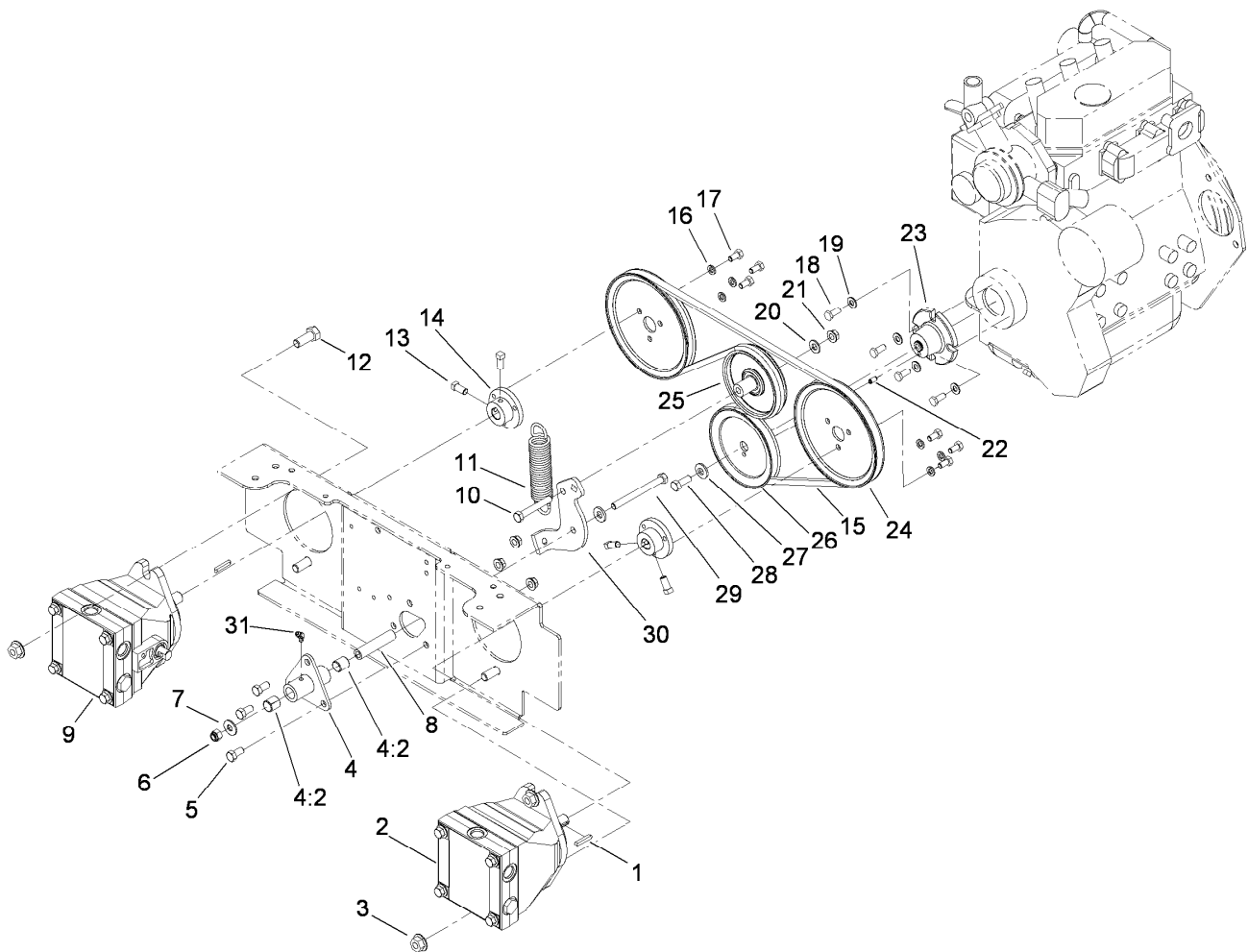
LH Motion Control Assembly No. 109-3979

<i>Ref.</i>	<i>Part Number</i>	<i>Qty.</i>	<i>Description</i>
1	1-808280	1	Pin-Clevis
2	103-0407	1	Arm-Shaft, Control
3	109-3903	1	Neutral Return ASM
3:1	1-303105	1	Yoke-Adjustable
3:2	1-603737	1	Bolt-Return, Neutral
3:3	1-603807	1	Spring-Return, Neutral
3:4	109-3769	1	Bushing-Nylon, Flanged
3:5	3219-2	3	Nut-Hex
3:6	3230-23	1	Screw-CARR
3:7	3256-2	1	Washer-Flat
3:8	109-3908	1	Tab-Adjustment
4	109-3983	1	Control-Motion, LH
5	323-9	3	Screw-HH
6	3272-5	1	Pin-Cotter
7	3296-39	3	Nut-Lock, NI



Engine Mount Assembly

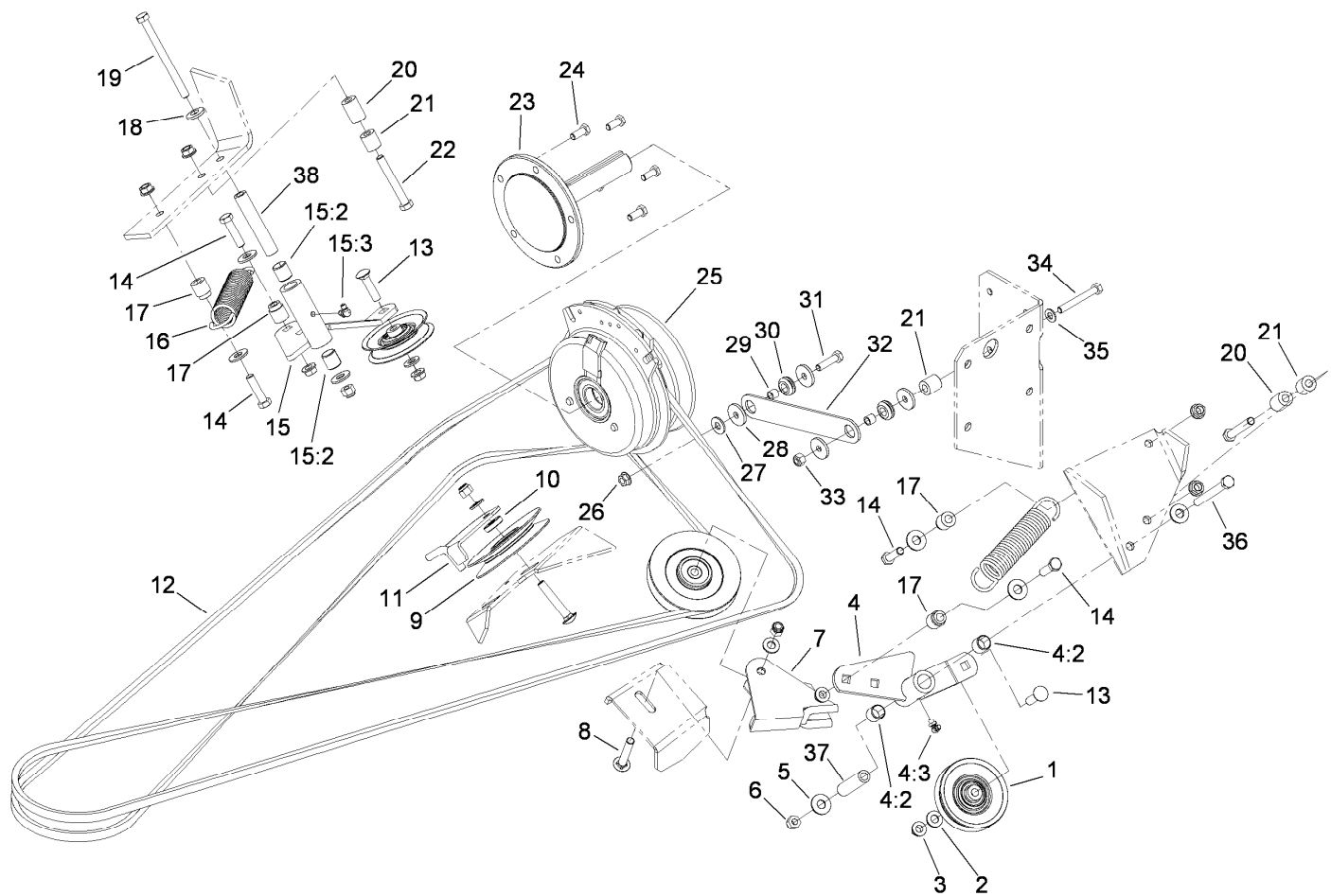
<i>Ref.</i>	<i>Part Number</i>	<i>Qty.</i>	<i>Description</i>	<i>Ref.</i>	<i>Part Number</i>	<i>Qty.</i>	<i>Description</i>
1	325-10	1	Screw-HH	20	103-0888	1	Engine-Daihatsu
2	86-1990	2	Washer	21	103-2592	1	Muffler Kit
3	3290-357	2	Nut-HHF, Whiz	21:2	103-1385	1	Gasket-Muffler
4	103-1022	1	Isolator-Rear	22	98-5975	3	Washer-Belleville
5	323-5	2	Screw-HH	23	3256-23	4	Washer-Flat
6	103-3908	1	Bracket-Ground	24	322-14	3	Screw-HH
7	103-0870-03	1	Rear Engine Mount ASM	25	103-3573-03	1	Cover-Flywheel
8	3296-23	1	Nut-Lock, NI	26	3256-24	4	Washer-Flat
9	323-12	2	Screw-HH	27	56-2150	2	Screw-HH
10	83-1040	2	Washer-Flat	28	323-8	2	Screw-HH
11	66-6480	2	Washer	29	103-3745	2	Ball Joint Link ASM
12	103-2613	2	Isolator-Side	30	322-12	1	Screw-HH
13	322-3	4	Screw-HH	32	32128-20	7	Nut-HF
14	33114-020	15	Screw-HH	33	103-3556-03	1	Bracket-Engine, Front
15	103-0839-03	2	LH And RH Engine Mount ASM	34	1-303334	3	Washer-Spring
16	3256-4	2	Washer-Flat	35	33114-045	3	Screw-HH
17	3296-39	3	Nut-Lock, NI	36	93-6099	4	Washer
18	103-0921	1	Hose	37	103-3568	2	Isolator-Link
19	2412-42	2	Clamp-Hose	38	3296-6	2	Nut-Lock
				39	63-7790	2	Screw-Cap



Wheel Pump Drive Assembly

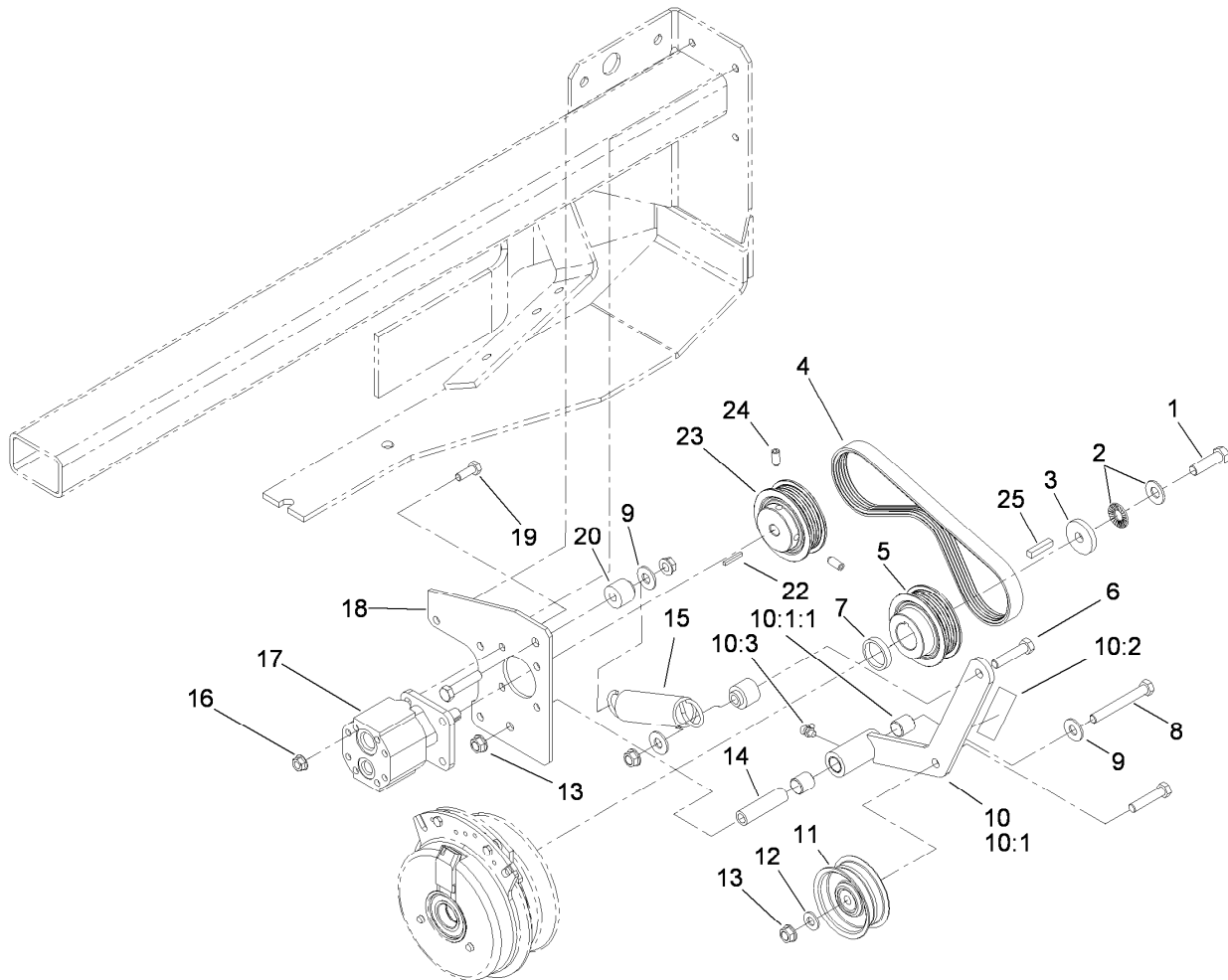
Ref.	Part Number	Qty.	Description	Ref.	Part Number	Qty.	Description
1	103-2739	2	Key	15	107-7724	1	Belt-V
2	103-2978	1	Pump-Hydro, LH	16	1-805005	6	Washer-Lock
2:1	100-6110	1	Overhaul Seal Kit ●	17	322-2	6	Screw-HH
3	32128-49	4	Nut-HHF	18	33114-020	4	Screw-HH
4	103-4467	1	Pump Idler ASM	19	3256-23	4	Washer-Flat
4:2	1-513034	2	Sleeve-Bearing	20	3256-24	1	Washer-Flat
5	323-4	3	Screw-HH	21	3290-357	4	Nut-HHF, Whiz
6	3296-39	1	Nut-Lock, NI	22	103-1459	1	Pin-Roll
7	3256-4	1	Washer-Flat	23	103-1421	1	Hub-Drive, Pump
8	103-0919	1	Bushing-Tightener, Pivot	24	103-1472	2	Sheave-Pump
9	103-2979	1	Pump-Hydro, RH	25	103-4464	1	Idler-Pump
9:1	100-6110	1	Overhaul Seal Kit ●	26	103-5164	1	Sheave-Engine
10	323-12	1	Screw-HH	27	98-5975	2	Washer-Belleville
11	1-603413	1	Spring-Extension	28	323-6	1	Screw-HH
12	325-5	4	Screw-HH	29	323-16	1	Screw-HH
13	1-803050	4	Screw-Set	30	103-4463-03	1	Arm-Tightener, Pump
14	103-1471	2	Hub-Pump	31	302-11	1	Fitting-Lube, 45 DEG

● Not illustrated



Deck Belt Drive Assembly

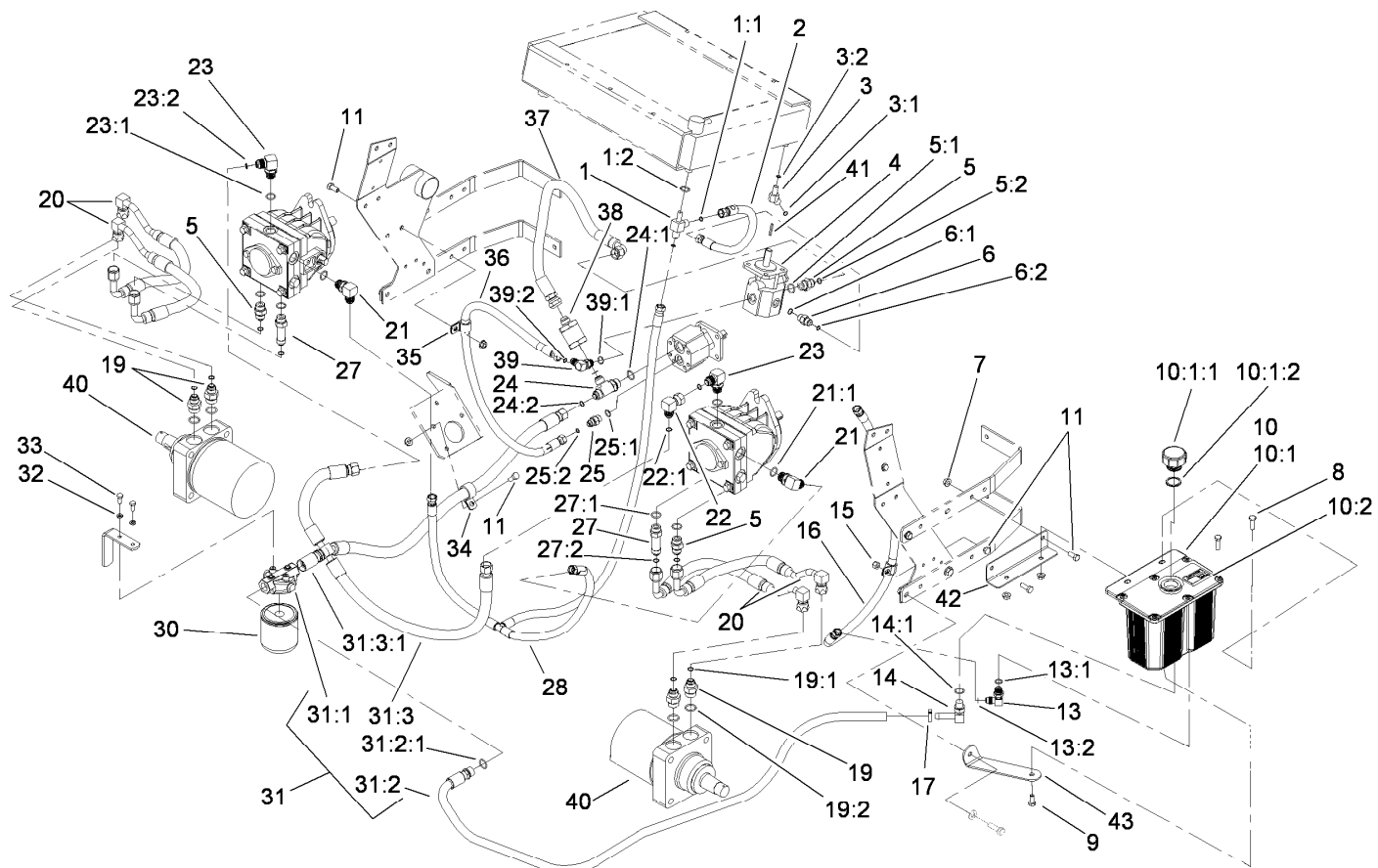
<i>Ref.</i>	<i>Part Number</i>	<i>Qty.</i>	<i>Description</i>	<i>Ref.</i>	<i>Part Number</i>	<i>Qty.</i>	<i>Description</i>
1	103-0983	2	Sheave	18	98-5975	2	Washer-Belleville
2	3256-24	4	Washer-Flat	19	323-23	1	Screw-HH
3	3290-357	7	Nut-HHF, Whiz	20	103-1361	2	Spacer-Hydro Control, LH
4	107-9851	1	LH Idler ASM	21	103-0193	3	Spacer-Strap, Clutch
4:2	1-513034	2	Sleeve-Bearing	22	323-13	2	Screw-HH
4:3	302-40	1	Fitting-Grease	23	103-0286	1	Shaft-Stub
5	3256-4	6	Washer-Flat	24	33114-020	5	Screw-HH
6	3296-39	4	Nut-Lock, NI	25	109-6627	1	Clutch Kit
7	103-4011-03	1	Guard-Belt Sheave, LH	26	32128-20	1	Nut-HF
8	3231-40	2	Bolt-CARR	27	3256-3	1	Washer-Flat
9	103-0984	2	Sheave	28	1-613235	4	Washer
10	103-3186	1	Spacer-Bracket, Guide	29	1-633545	2	Spacer
11	103-4039-03	1	Guard-Belt Sheave, RH	30	1-633630	2	Grommet
12	107-7738	2	Belt-V	31	322-6	1	Screw-HH
13	3231-4	2	Screw-CARR	32	103-0192-03	1	Strap-Clutch / Brake
14	323-9	4	Screw-HH	33	3296-29	1	Nut-Lock, NI
15	107-9861	1	RH Idler ASM	34	322-12	1	Screw-HH
15:2	1-513034	2	Sleeve-Bearing	35	3256-23	1	Washer-Flat
15:3	302-40	1	Fitting-Grease	36	323-16	1	Screw-HH
16	103-1767	2	Spring-Extension	37	103-0919	1	Bushing-Tightener, Pivot
17	103-1503	4	Spacer-Tightener, Belt	38	103-0040	1	Bushing-Tightener, Pivot



Cooling Pump Drive Assembly

Ref.	Part Number	Qty.	Description	Ref.	Part Number	Qty.	Description
1	3212-6	1	Screw-HH	11	1-633167	1	Sheave-Idler
2	1-603610	2	Washer-Spring	12	3256-24	1	Washer-Flat
3	1-543610	1	Washer-Clutch	13	3290-357	4	Nut-HHF, Whiz
4	107-7739	1	Belt-Poly V	14	1-603384	1	Bushing-Pivot, Idler
5	103-1339	1	Sheave-5 Rib	15	1-603414	1	Spring-Extension
6	323-9	3	Screw-HH	16	3296-29	4	Nut-Lock, NI
7	103-1422	1	Spacer-Pump Drive, Fan	17	103-7431	1	Pump-Fan, Cooling
8	323-14	1	Screw-HH	18	103-1299-03	1	Plate-Mating, Fan Pump
9	3256-4	3	Washer-Flat	19	322-4	4	Screw-HH
10	107-9879	1	Wheel Pump Tension ASM	20	103-1575	2	Spacer-Spring, Fan Pump
10:1		1	Tensioner ASM ●	22	32150-1	1	Key-Square
10:1:1	1-513034	2	Sleeve-Bearing	23	103-1338	1	Sheave-5 Rib
10:2	98-5954	1	Decal-Cover, Missing	24	3246-6	2	Screw-Set, HSH
10:3	302-40	1	Fitting-Grease	25	13-2840	1	Key-Square

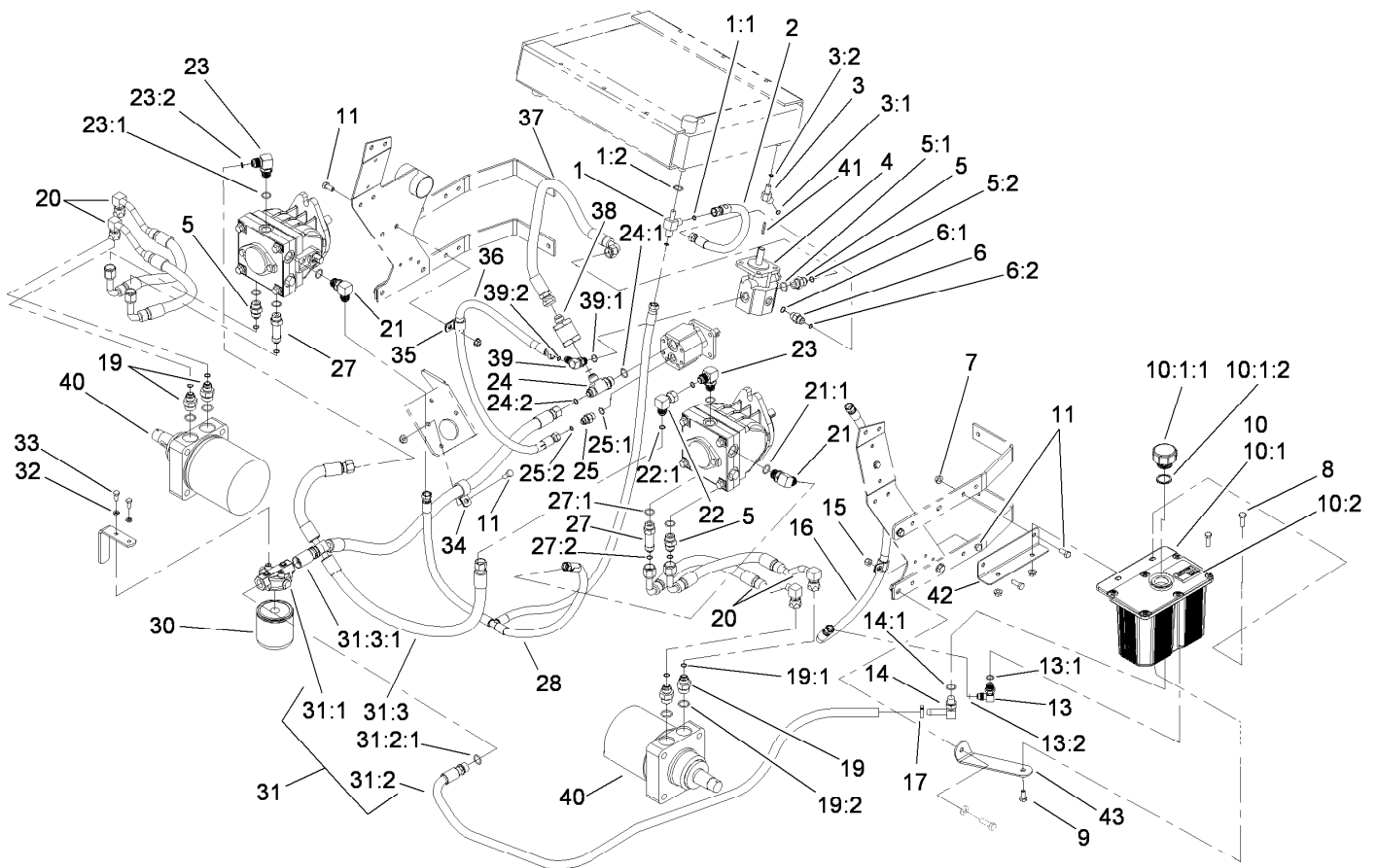
● Not serviced separately



Hydraulic System Assembly

Ref.	Part Number	Qty.	Description	Ref.	Part Number	Qty.	Description
1	108-5998	1	Fitting-HYD, Straight Tee	14	108-5316	1	Fitting-Elbow, 90 DEG
1:1	237-21	2	O-Ring	14:1	237-79	1	O-Ring
1:2	237-42	1	O-Ring	15	3296-29	1	Nut-Lock, NI
2	103-2173	1	Fan Case Drain Hose ASM	16	103-2174	1	Tank Return Hose ASM
3	108-5999	1	Fitting-HYD, 45 Elbow	17	103-2104	1	Clamp-Hose
3:1	237-21	1	O-Ring	19	1-603991	4	Fitting-Straight
3:2	237-42	1	O-Ring	19:1	237-80	1	O-Ring
4	103-7430	1	Motor-Fan, Cooling	19:2	1-603992	1	O-Ring
5	1-603990	3	Fitting-Straight	20	103-4679	4	HYD Hose ASM
5:1	1-603920	1	O-Ring	21	103-1014	2	Fitting-Elbow, 90 DEG
5:2	1-603992	1	O-Ring	21:1	1-603920	1	O-Ring
6	103-2157	1	Fitting-Straight	22	103-2315	1	Fitting-90 DEG
6:1	1-603923	1	O-Ring	22:1	1-603992	1	O-Ring
6:2	103-1020	1	O-Ring	23	103-2153	2	Fitting-90 DEG
7	32128-20	7	Nut-HF	23:1	1-603920	1	O-Ring
8	322-5	4	Screw-HH	23:2	1-603992	1	O-Ring
9	322-3	2	Screw-HH	24	103-2159	1	Fitting-Tee
10	109-0582	1	Hydraulic Tank ASM	24:1	1-603920	1	O-Ring
10:1		1	Tank-Hydraulic ●	24:2	1-603992	2	O-Ring
10:1:1	103-1948	1	Cap-Reservoir, HYD	25	103-2156	1	Fitting-Straight
10:1:2	103-1949	1	Gasket-Cap	25:1	1-603921	1	O-Ring
10:2	1-523552	1	Decal-Tank, HYD	25:2	103-1020	1	O-Ring
11	322-4	5	Screw-HH	27	103-1940	2	Adapter-HYD, Straight
13	103-2155	1	Fitting-90 DEG	27:1	237-79	1	O-Ring
13:1	1-603921	1	O-Ring	27:2	1-603992	1	O-Ring
13:2	103-1020	1	O-Ring				

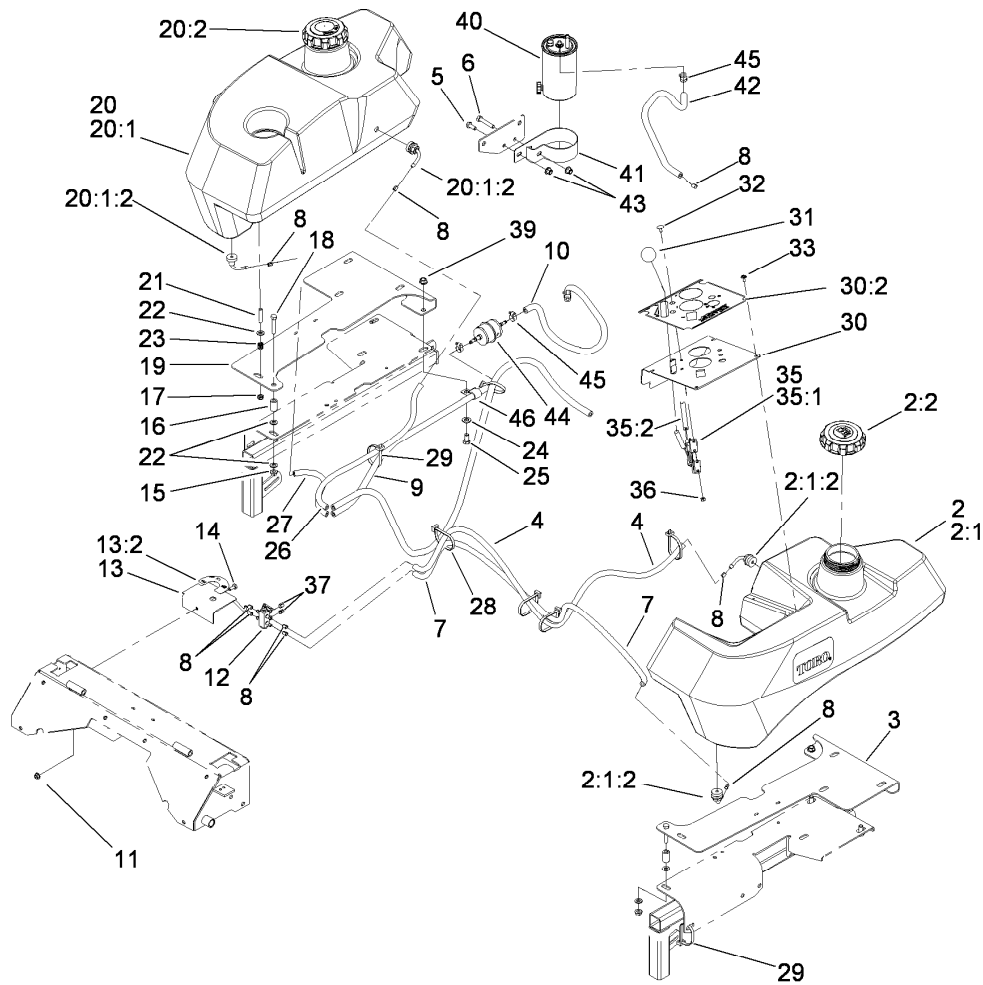
● Not serviced separately



Hydraulic System Assembly (continued)

Ref.	Part Number	Qty.	Description	Ref.	Part Number	Qty.	Description
28	103-2172	1	Case Drain Hose ASM	35	1-633396	2	Clip-Loom
30	23-9740	1	Filter-Oil	36	103-2148	1	Auxillary Pump Hose ASM
31	103-5120	1	Charge Hose ASM	37	1-323241	1	Hose-Pressure, High
31:1	103-2259	1	Head-Filter	38	103-3110	1	Filter-In Line, 50 Micron
31:2	103-5121	1	Filter Inlet Hose ASM	39	103-2155	1	Fitting-90 DEG
31:2:1	1-603920	1	O-Ring	39:1	1-603921	1	O-Ring
31:3	103-2269	1	Pump Inlet Hose ASM	39:2	103-1020	1	O-Ring
31:3:1	1-603920	1	O-Ring	40	103-2489	2	Motor-Wheel, HYD
32	1-805004	2	Washer-Lock	41	32150-1	1	Key-Square
33	321-3	2	Screw-HH	42	112-1768-03	1	Bracket-Tank Mount, Upper
34	1-643312	1	Clip-Loom	43	112-1778-03	1	Bracket-Tank Mount, Lower

● Not serviced separately

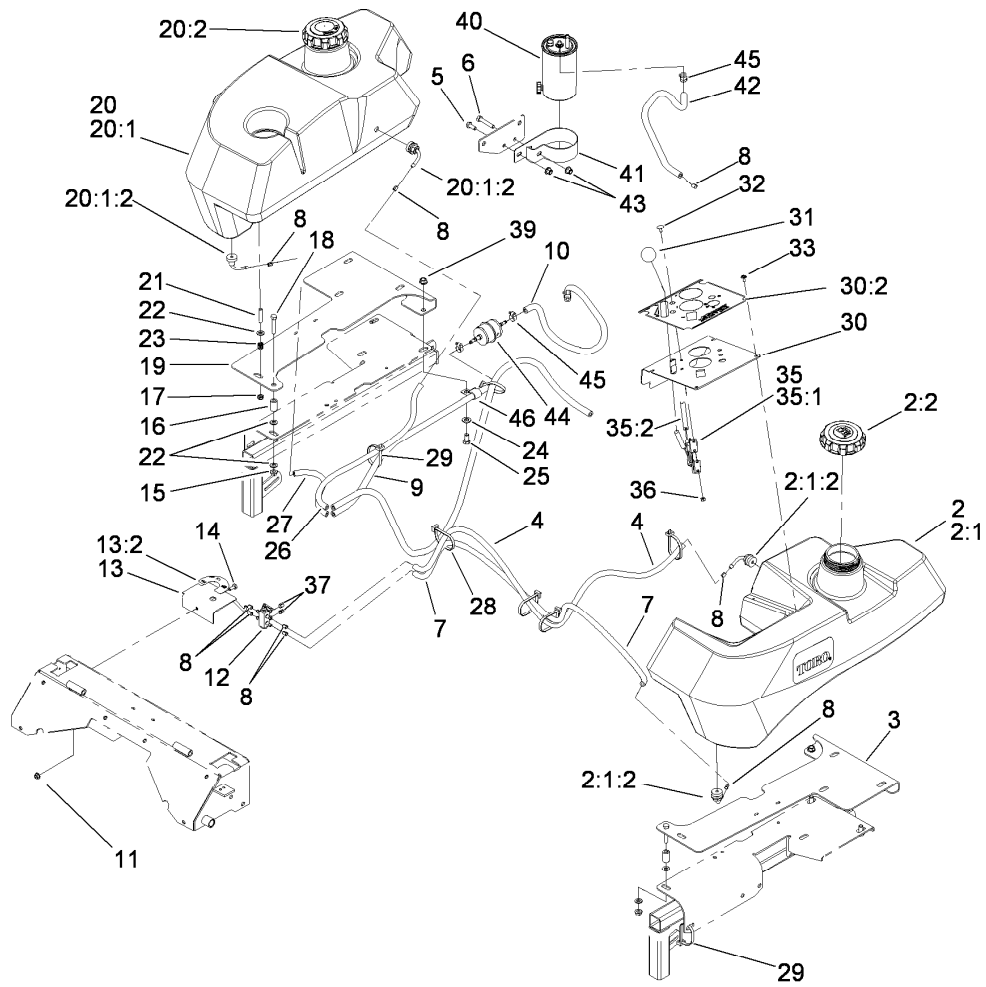


Tank and Fuel Line Assembly

Ref.	Part Number	Qty.	Description
2	115-3556	1	LH Fuel Tank Kit
2:1		1	Tank-Fuel, LH ●
2:1:2	103-2615	2	Fitting-Fuel, Bulkhead
2:2	114-8214	1	Biodiesel Cap ASM
3	107-7672-03	1	Bracket-Fuel Tank, LH
4	109-0273	1	Hose-Fuel
5	322-3	1	Screw-HH
6	322-9	1	Screw-HH
7	109-0289	1	Hose-Fuel
8	1-643293	6	Clamp-Hose, Fuel
9	114-8206	1	Hose-Fuel
10	110-4113	1	Hose-Fuel
11	32128-33	1	Nut-HF
12	1-643234	1	Valve-Fuel, Dual Flow
13	107-9878	1	Bracket-Valve, Fuel
13:2	107-2114	1	Decal-Valve, Fuel
14	321-3	1	Screw-HH
15	3296-47	2	Nut-Lock, NI
16	94-7564	2	Spacer
17	3296-47	6	Nut-Lock, NI
18	322-9	2	Screw-HH
19	107-7671-03	1	Bracket-Fuel Tank, RH
20	115-3555	1	RH Fuel Tank Kit
20:1		1	Tank-Fuel, RH ●
20:1:2	103-2615	2	Fitting-Fuel, Bulkhead
20:2	114-8214	1	Biodiesel Cap ASM

Ref.	Part Number	Qty.	Description
21	1-633023	6	Stud
22	3256-23	10	Washer-Flat
23	1-633349	6	Spring-Tank, Fuel
24	3256-24	4	Washer-Flat
25	323-4	4	Screw-HH
26	110-5701	1	Hose-Fuel
27	109-0294	1	Hose-Fuel
28	110-4100	1	Hose-Fuel
29	1-303335	7	Tie-Plastic
30	117-0918	1	Control Panel ASM
30:2	117-0916	1	Decal-Panel, Control
31	1-603175	1	Knob-Ball
32	1-807513	2	Bolt-CARR
33	109-2661	4	Screw-PPH
35	110-5729	1	Throttle Control Cable ASM
35:1	112-2334	1	Lever-Throttle
35:2	110-5730	1	Cable-Throttle
36	3296-2	2	Nut-Lock, NI
37	1-643277	3	Clamp-Hose, Fuel
39	3290-357	4	Nut-HHF, Whiz
40	112-9188	1	Element-Filter, Fuel/Water
41	110-8807	1	Bracket-Filter, Fuel
42	114-8207	1	Hose-Fuel
43	3296-58	2	Nut-Lock, NI
44	112-7836	1	Filter-Inline

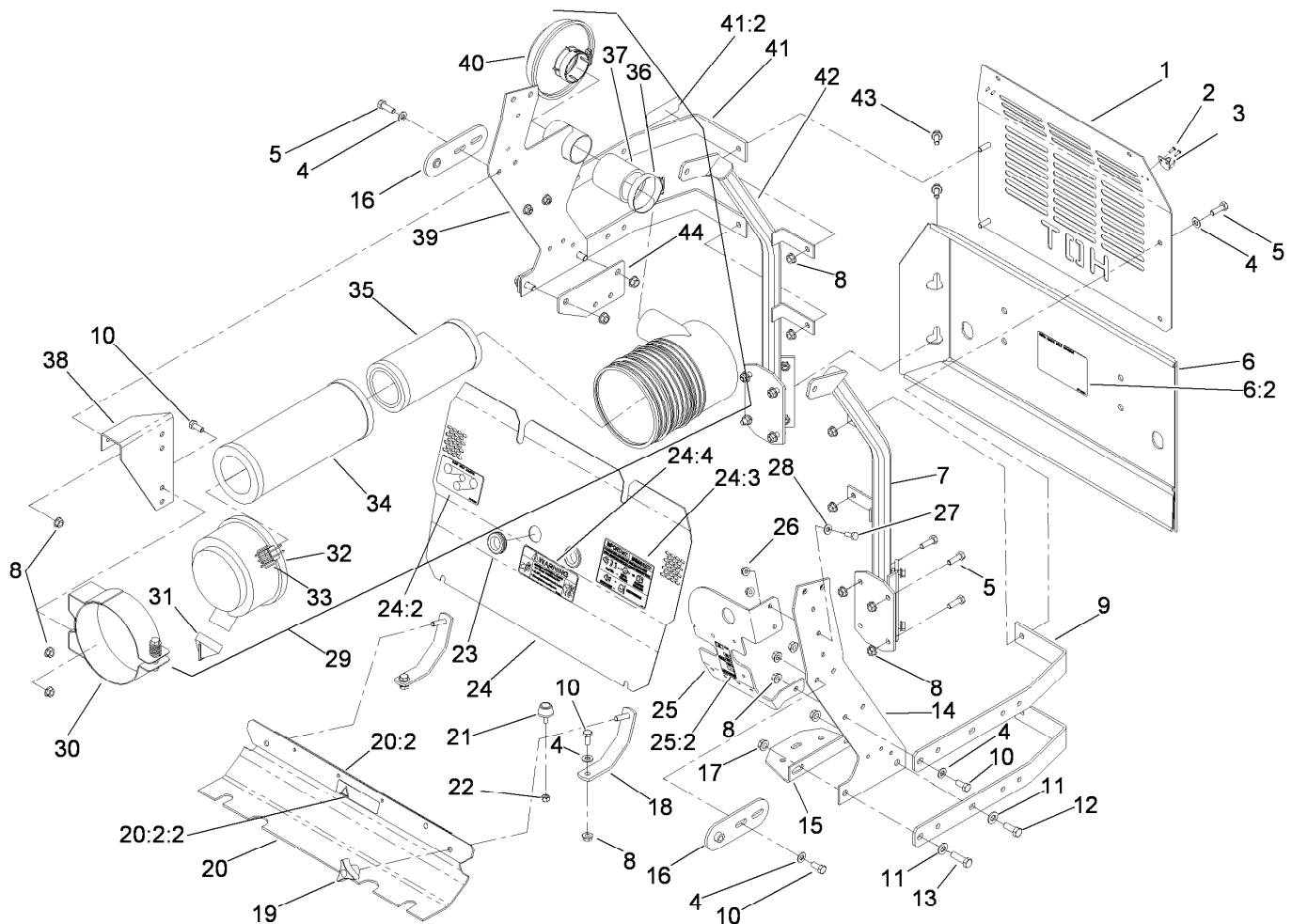
● Not serviced separately



Tank and Fuel Line Assembly (continued)

Ref.	Part Number	Qty.	Description
45	2412-108	7	Clamp-Worm
46	115-3559	1	Clamp-J

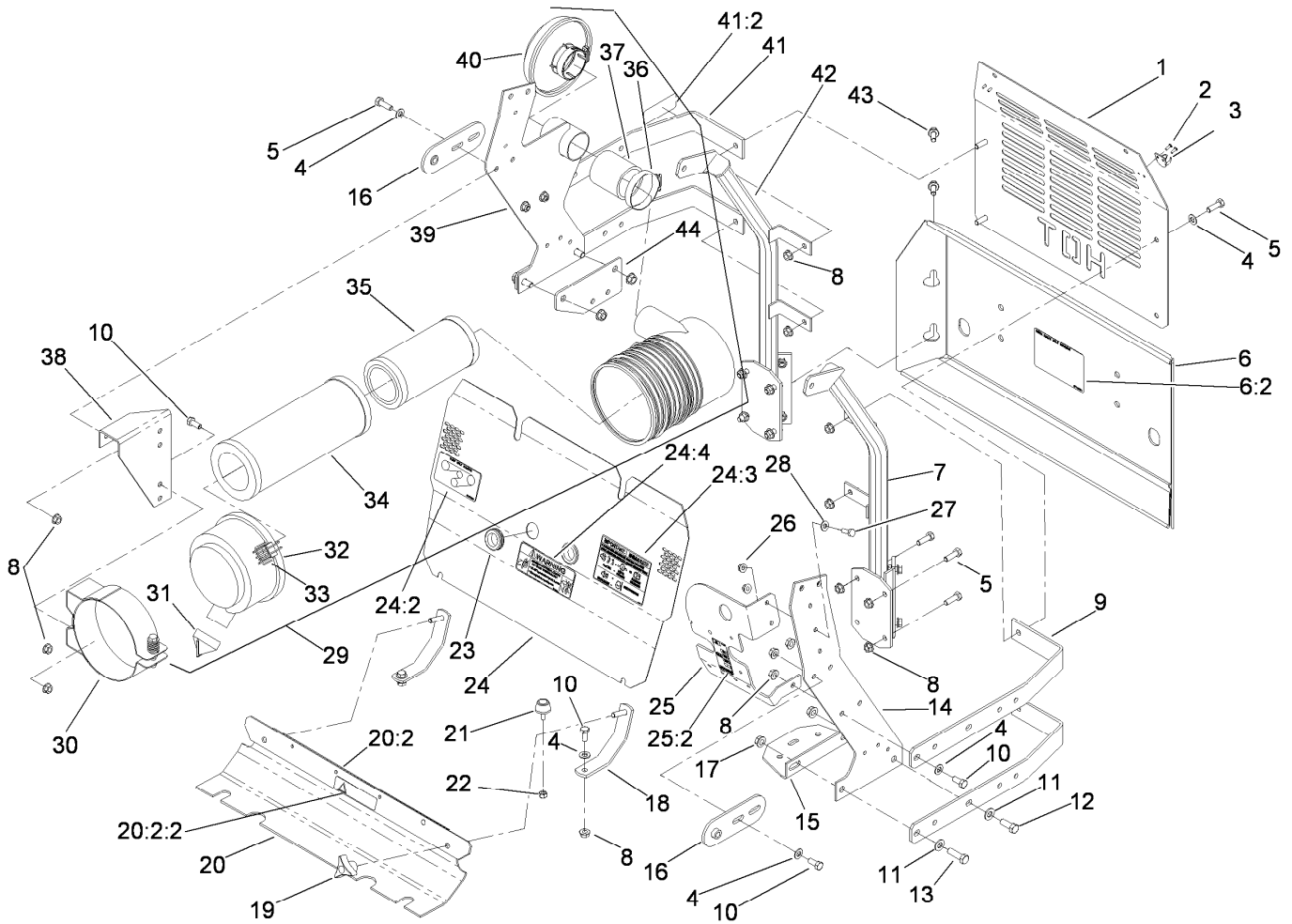
● Not serviced separately



Front and Rear Engine Cover Assembly

Ref.	Part Number	Qty.	Description	Ref.	Part Number	Qty.	Description
1	103-4855-03	1	Guard-Muffler	22	3296-42	2	Nut-Lock, NI
2	923786	4	Rivet	23	100-3815	2	Grommet-Rubber
3	1-643189	2	Keeper-Latch, Rubber	24	107-7707	1	Engine Access Panel ASM
4	3256-23	13	Washer-Flat	24:2	107-7705	1	Decal-Belt Routing, Pump
5	322-5	14	Screw-HH	24:3	103-3276	1	Decal-Buzzer, Warning
6	107-9865	1	Rear Bumper ASM	24:4	103-5881	1	Decal-Devices, Rotating
6:2	107-9864	1	Decal-Belt Routing, Deck Drive	25	117-3862	1	Fuse/Relay Bracket ASM
7	103-5157-03	1	Frame-Upper, LH Rear	25:2	117-7818	1	Decal-Fuse
8	32128-20	23	Nut-HF	26	32128-33	2	Nut-HF
9	103-4906-03	3	Bar-Mount Frame, Radiator	27	321-4	2	Screw-HH
10	322-3	9	Screw-HH	28	3256-22	2	Washer-Flat
11	3256-24	4	Washer-Flat	29	103-5178	1	Filter-Air
12	323-6	2	Screw-HH	30	103-1058	1	Bracket-Filter, Air
13	323-7	2	Screw-HH	31	99-3175	1	Valve-Ejector, Dust
14	103-5169-03	1	Mount-Side, LH	32	103-1060	1	Cover-Filter, Air
15	103-2603-03	1	Bracket-Bottle	33	1-643283	2	Latch-Cleaner, Air
16	1-632986-03	2	Shackle-Hinge	34	103-1327	1	Filter-Air
17	3290-357	4	Nut-HHF, Whiz	35	103-1326	1	Filter-Air, Safety
18	103-5163-03	2	Mount-Belt Shield, Engine	36	2412-42	1	Clamp-Hose
19	1-323385	2	Knob-3 Prong	37	103-5198	1	Hose-Intake
20	107-7709	1	Engine Belt Shield ASM	38	103-0953-03	1	Mount-Cleaner, Air
20:2		1	Strip-Shield, Belt ●	39	103-5123-03	1	RH Radiator And Ac Support ASM
20:2:2	98-5954	1	Decal-Cover, Missing	40	100-2436	1	Hood
21	109-2365	2	Rubber Bumper ASM (W/Stud)	41	107-7715	1	Bar-Radiator
				41:2	65-2690	1	Decal-Surface, Hot

● Not serviced separately

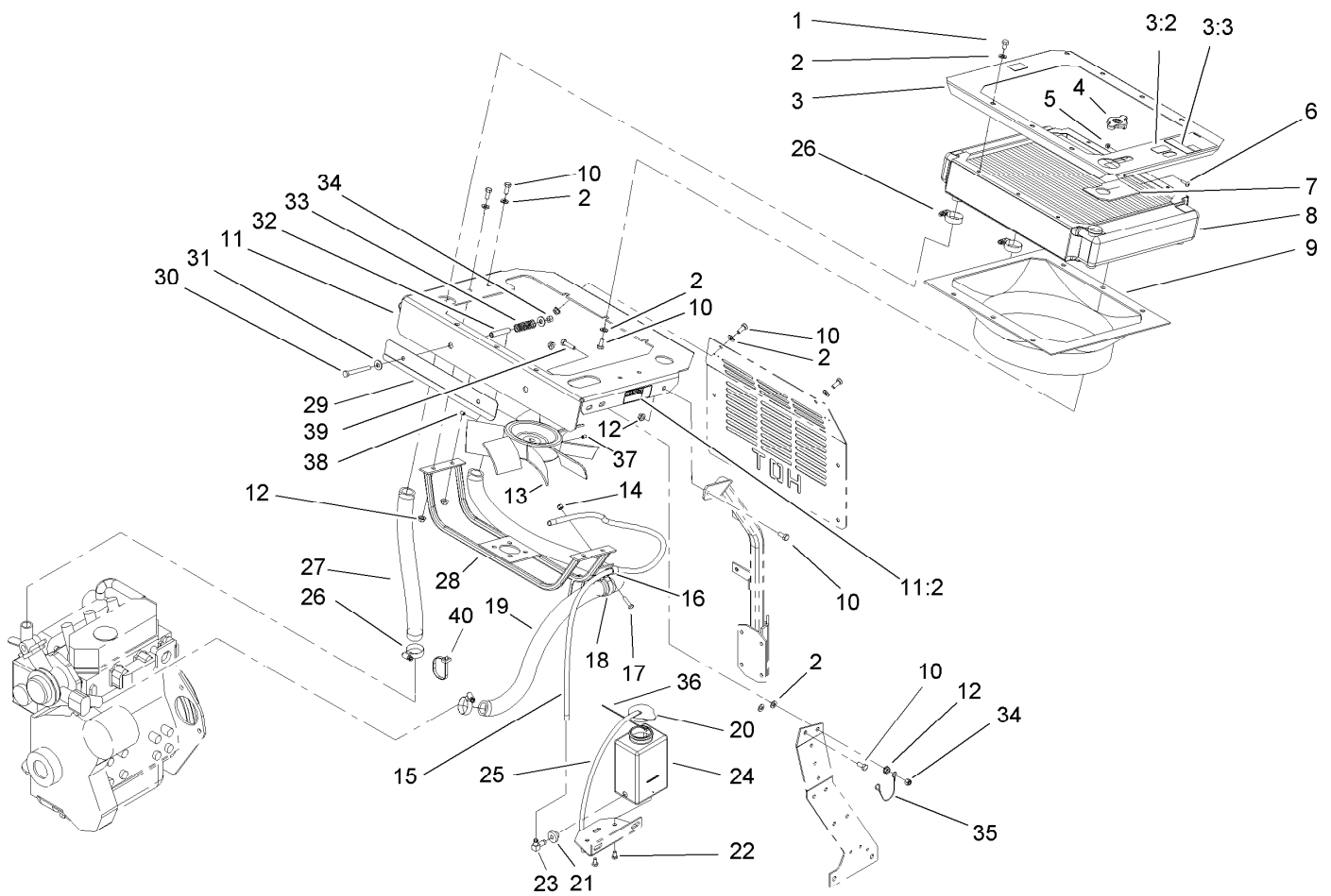


Front and Rear Engine Cover Assembly (continued)

Ref.	Part Number	Qty.	Description
42	103-5158-03	1	Frame-Upper, RH Rear

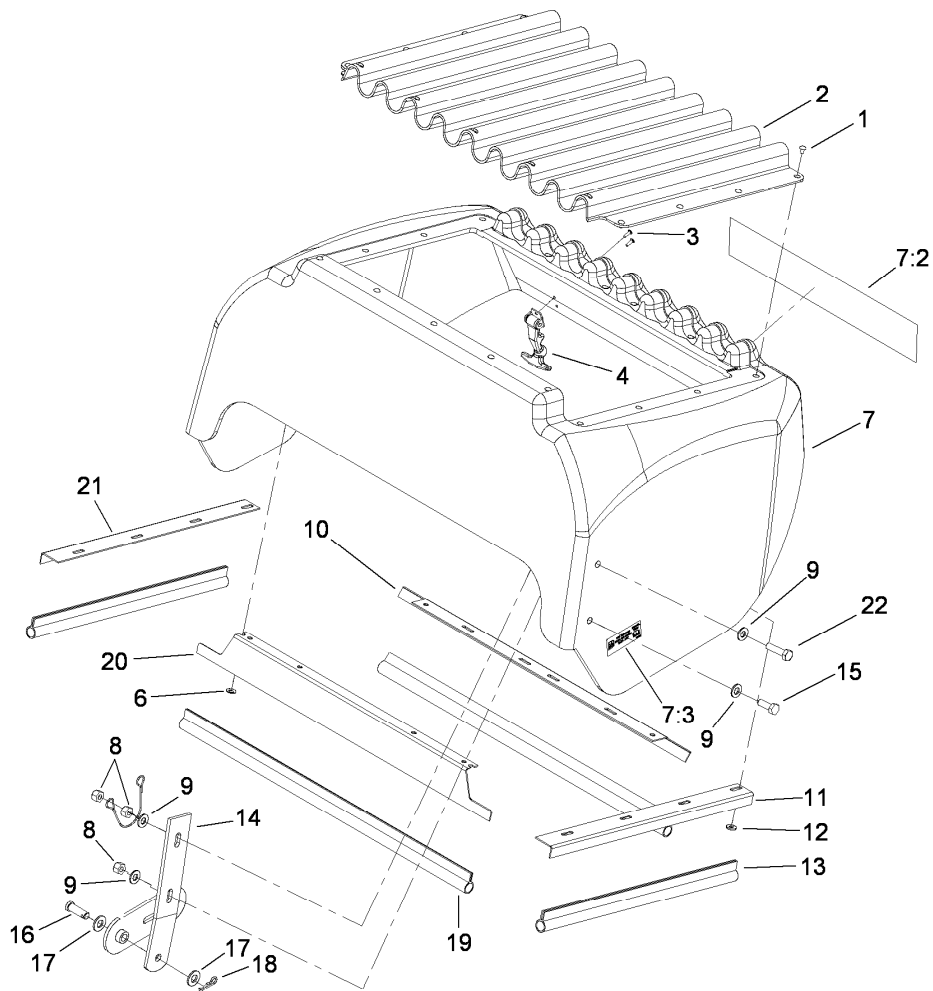
Ref.	Part Number	Qty.	Description
43	3234-47	4	Screw-HHF
44	114-8205-03	1	Plate-Fuel Filter Mount

● Not serviced separately



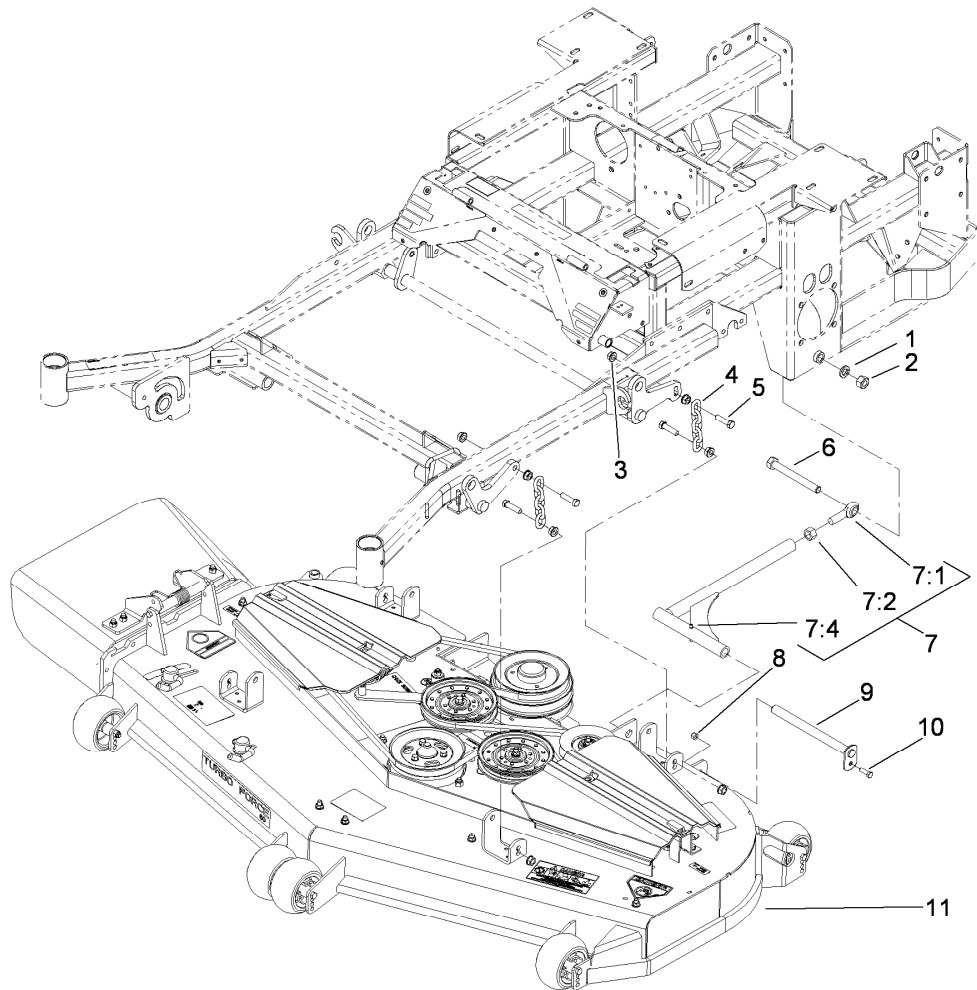
Cooling System Assembly

Ref.	Part Number	Qty.	Description	Ref.	Part Number	Qty.	Description
1	322-1	6	Screw-HH	20	1-643164	1	Cap-Tank, Overflow
2	3256-23	22	Washer-Flat	21	1-513645	1	Bushing-Valve, Fuel
3	107-7658	1	Plate-Trim, Radiator	22	321-2	2	Screw-HH
3:2	65-2690	2	Decal-Surface, Hot	23	1-643259	1	Fitting-Elbow
3:3	104-2449	1	Decal-Coolant	24	1-643163	1	Tank-Overflow
4	1-643161	1	Cap-Radiator	25	109-2669	1	Hose
5	3296-2	1	Nut-Lock, NI	26	1-633989	4	Clamp-Hose
6	1-803075	1	Screw-Head, Truss	27	103-2505	1	Hose-Outlet, Engine
7	103-1352	1	Shield-Fill Neck, Radiator	28	103-0086-03	1	Mount-Motor, Fan
8	107-9889	1	Radiator	29	103-4986	1	Bracket-Deflector, Air
9	103-0898	1	Shroud-Cooling, Engine	30	322-14	2	Screw-HH
10	322-3	16	Screw-HH	31	3256-3	4	Washer-Flat
11	107-7717	1	Fan Mounting Plate ASM	32	103-5223	2	Spacer
11:2	1-643253	2	Decal-Fan, Radiator	33	1-513296	2	Spring-Indicator, Reverse
12	32128-20	10	Nut-HF	34	3296-29	4	Nut-Lock, NI
13	103-0892	1	Fan	35	107-9853	2	Lanyard
14	3296-42	1	Nut-Lock, NI	36	1-303287	3	Tie-Cable
15	109-2670	1	Hose	37	3245-44	1	Screw-Set
16	1-513762	1	Clip-Loom	38	909848	1	Screw-Set
17	321-6	1	Screw-HH	39	322-6	2	Screw-HH
18	103-0113	1	Clip-Loom	40	1-303335	2	Tie-Plastic
19	103-0922	1	Hose-Inlet, Engine				



Hood Assembly

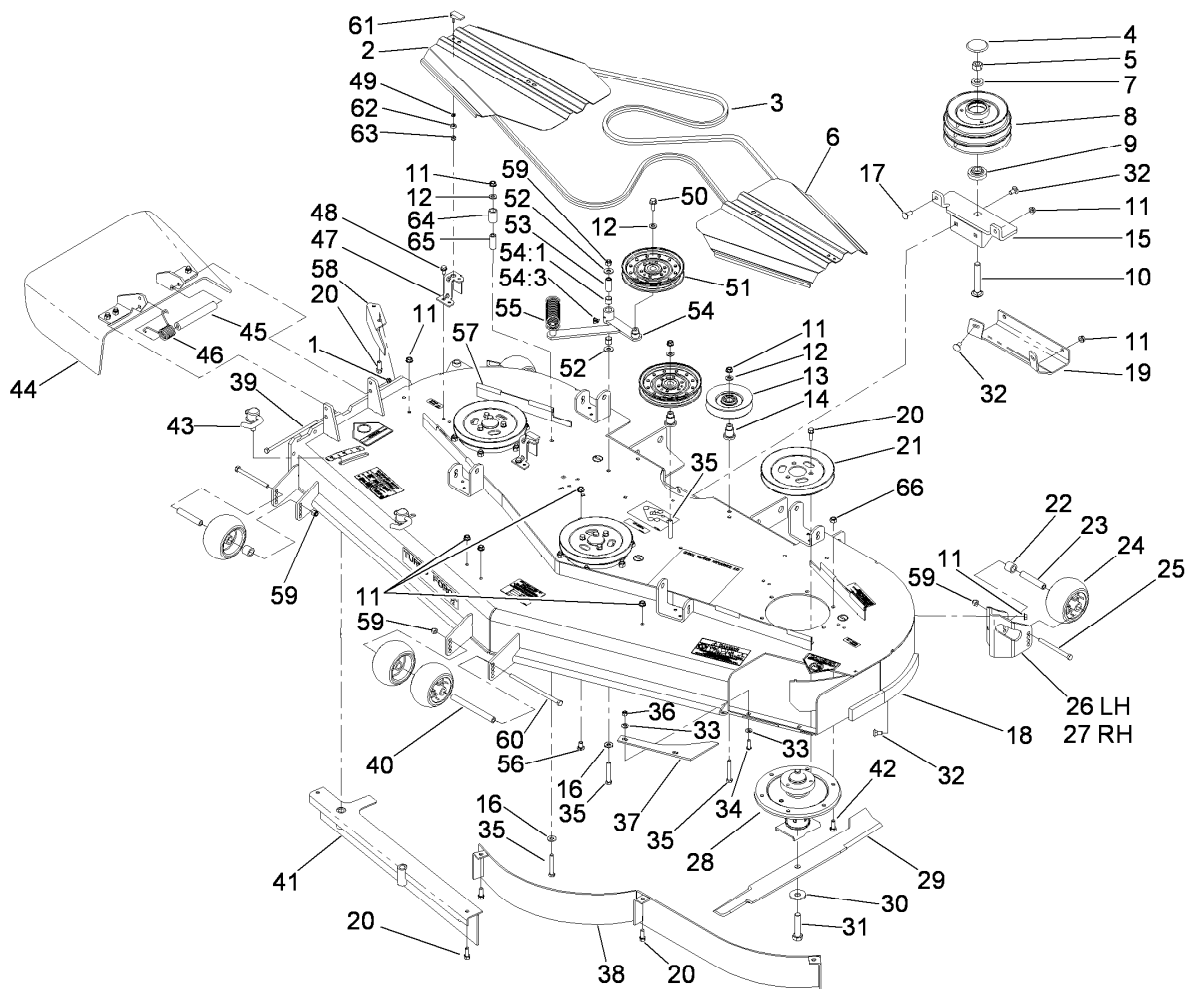
Ref.	Part Number	Qty.	Description
1	1-803072	17	Rivet
2	1-633864-03	1	Screen-Radiator
3	923786	4	Rivet
4	1-643188	2	Latch-Rubber
6	1-303435	5	Washer-Spring
7	115-3560	1	Hood ASM
7:2	107-7674	1	Decal
7:3	114-9600	2	Decal-Low Sulfur
8	3296-29	6	Nut-Lock, NI
9	3256-23	8	Washer-Flat
10	1-643108-03	1	Angle-Radiator, Bottom
11	1-643105-03	1	Angle-Radiator, LH
12	3256-14	12	Washer-Flat
13	1-643186	2	Seal-Trim
14	1-633885-03	2	Plate-Hinge, Hood
15	322-4	2	Screw-HH
16	1-808285	2	Pin-Clevis
17	3256-24	4	Washer-Flat
18	1-806003	2	Pin-Cotter, Hair
19	1-643187	2	Seal-Trim
20	1-643107-03	1	Angle-Radiator, Top
21	1-643106-03	1	Angle-Radiator, RH
22	322-6	2	Screw-HH



Deck Connection Assembly

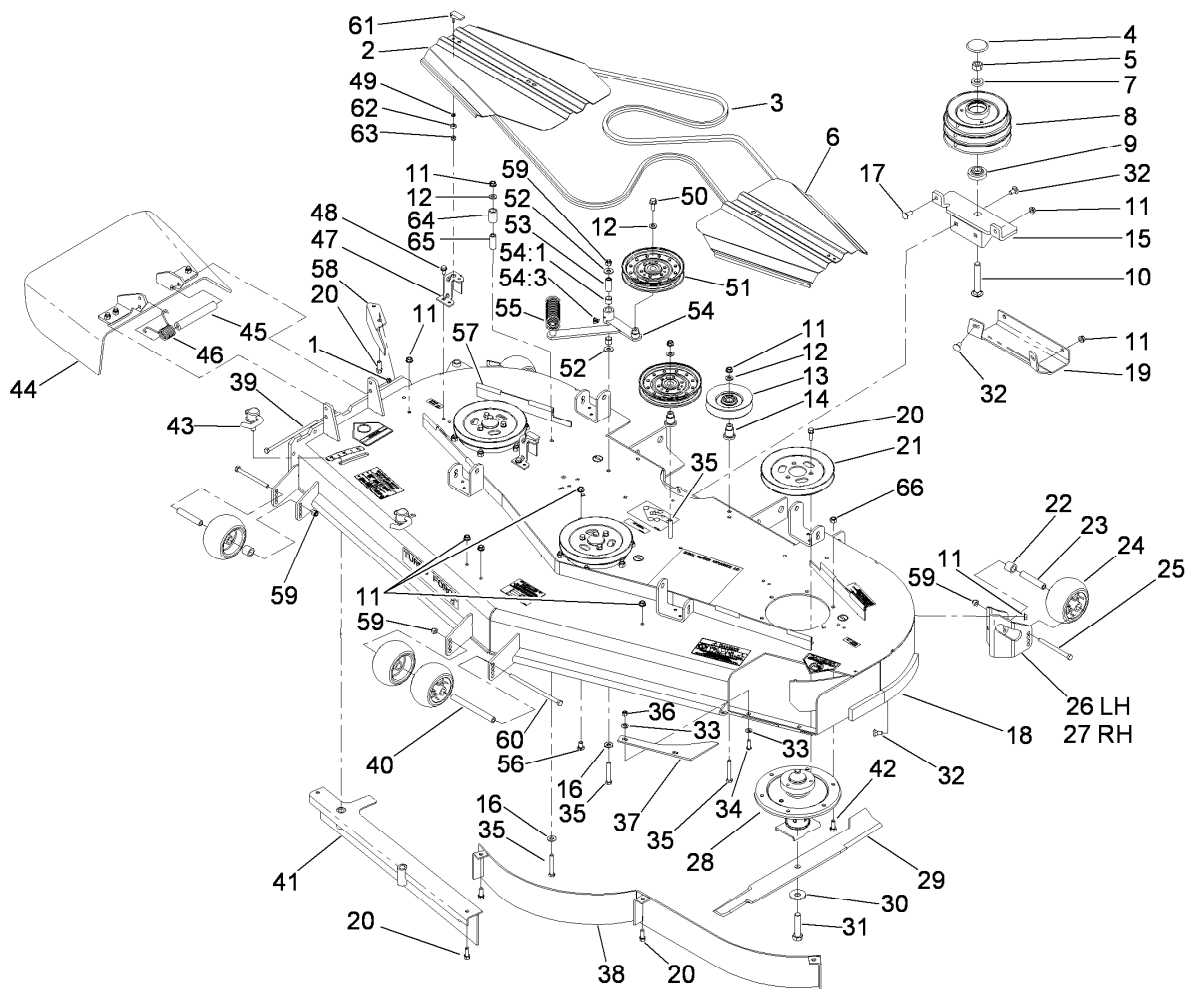
<i>Ref.</i>	<i>Part Number</i>	<i>Qty.</i>	<i>Description</i>
1	3253-8	2	Washer-Lock
2	3217-11	2	Nut-Hex
3	32128-37	16	Nut-HF
4	1-633447	4	Chain-Lift, Deck
5	103-1898	8	Screw-HH
6	327-28	2	Screw-HH
7	103-1356	2	Strut ASM
7:1	1-633029	1	Balljoint-Spherical
7:2	3219-6	1	Nut-Hex
7:4	109-1380	2	Fitting-Grease
8	3296-29	2	Nut-Lock, NI
9	1-632199-01	2	Pin-Strut
10	322-3	2	Screw-HH
11		1	Deck ASM ●

● Not serviced separately



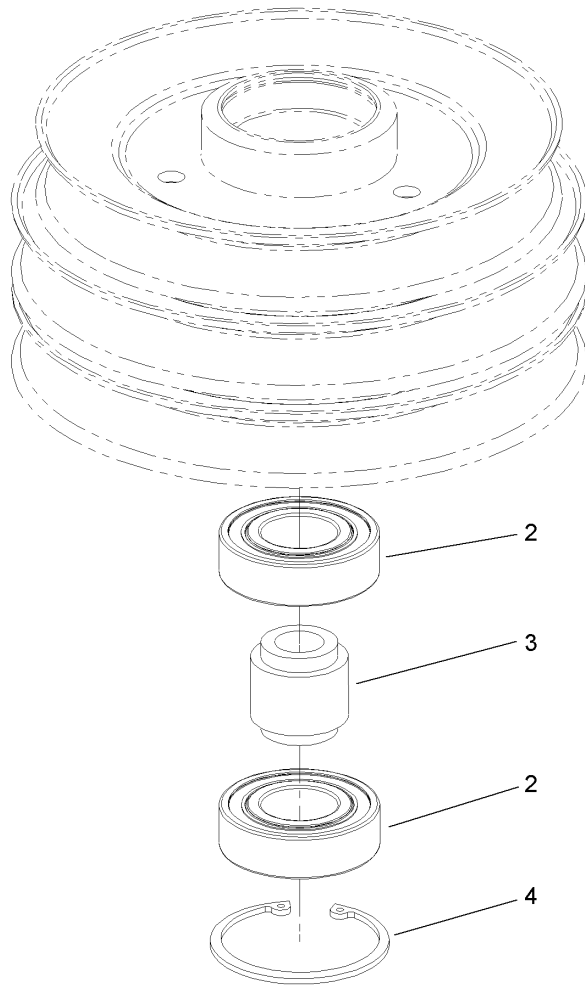
Deck Assembly

Ref.	Part Number	Qty.	Description	Ref.	Part Number	Qty.	Description
1	3296-47	1	Nut-Lock, NI	29	105-7784-03	3	Blade-Hi Flow, 24.5 Inch
2	106-3275-03	1	Cover-Belt	30	103-0865	3	Washer-Blade Bolt, Heavy
3	107-7723	1	Belt-V	31	103-0862	3	Screw-Cap
4	112-8049	1	Cap-Plastic	32	3231-1	7	Screw-CARR
5	3217-11	1	Nut-Hex	33	1-303334	4	Washer-Spring
6	105-8786-03	1	Cover-Belt	34	3274-104	2	Screw-HSBH
7	105-0842	1	Spacer	35	323-12	4	Screw-HH
8	114-0210	1	Pulley And Bearing ASM	36	3296-29	2	Nut-Lock, NI
9	112-8048	1	Spacer-Flanged	37	107-3138	1	Plate-Turbo
10	112-8046	1	Bolt-Carriage	38	105-7730-01	1	Baffle ASM
11	3290-357	24	Nut-HHF, Whiz	39	322-50	1	Screw-HH
12	3256-24	4	Washer-Flat	40	98-5967	1	Spacer-Wheel
13	1-603805	1	Pulley-Idler	41	105-7669-01	1	Baffle ASM
14	106-3214	2	Mount-Pulley	42	33115-025	18	Screw-HH
15	110-5893-01	1	Mounting Bracket ASM	43	107-1664	2	Lever ASM
16	98-5975	2	Washer-Belleville	44	108-2792	1	Rubber Deflector ASM
17	3231-2	2	Screw-CARR	45	105-4622	1	Spacer
18	117-3859	1	Deck Decal ASM	46	108-4052	1	Spring-Torsion
19	106-3279-01	1	Plate-Skid	47	108-4121-01	4	Bracket-Cover
20	92-1624	15	Screw-HWH	48	32144-70	4	Screw-HWHTF
21	107-7678	3	Pulley	49	99-3058	4	Washer
22	98-7913	4	Tube-Spacer	50	3234-11	1	Screw-HHF
23	98-7912	4	Tube-Spanner	51	1-633109	2	Idler-Flat
24	1-603299	6	Roller-Scalp, Anti	52	3256-4	2	Washer-Flat
25	323-23	4	Screw-HH	53	1-603044	1	Bushing
26	106-7354-01	1	Mount-Wheel, LH	54	107-9868	1	Idler Arm ASM
27	106-7355-01	1	Mount-Wheel, RH	54:1	103-4681	2	Sleeve-Bearing
28	110-3933	3	Spindle ASM	54:3	302-40	1	Fitting-Grease



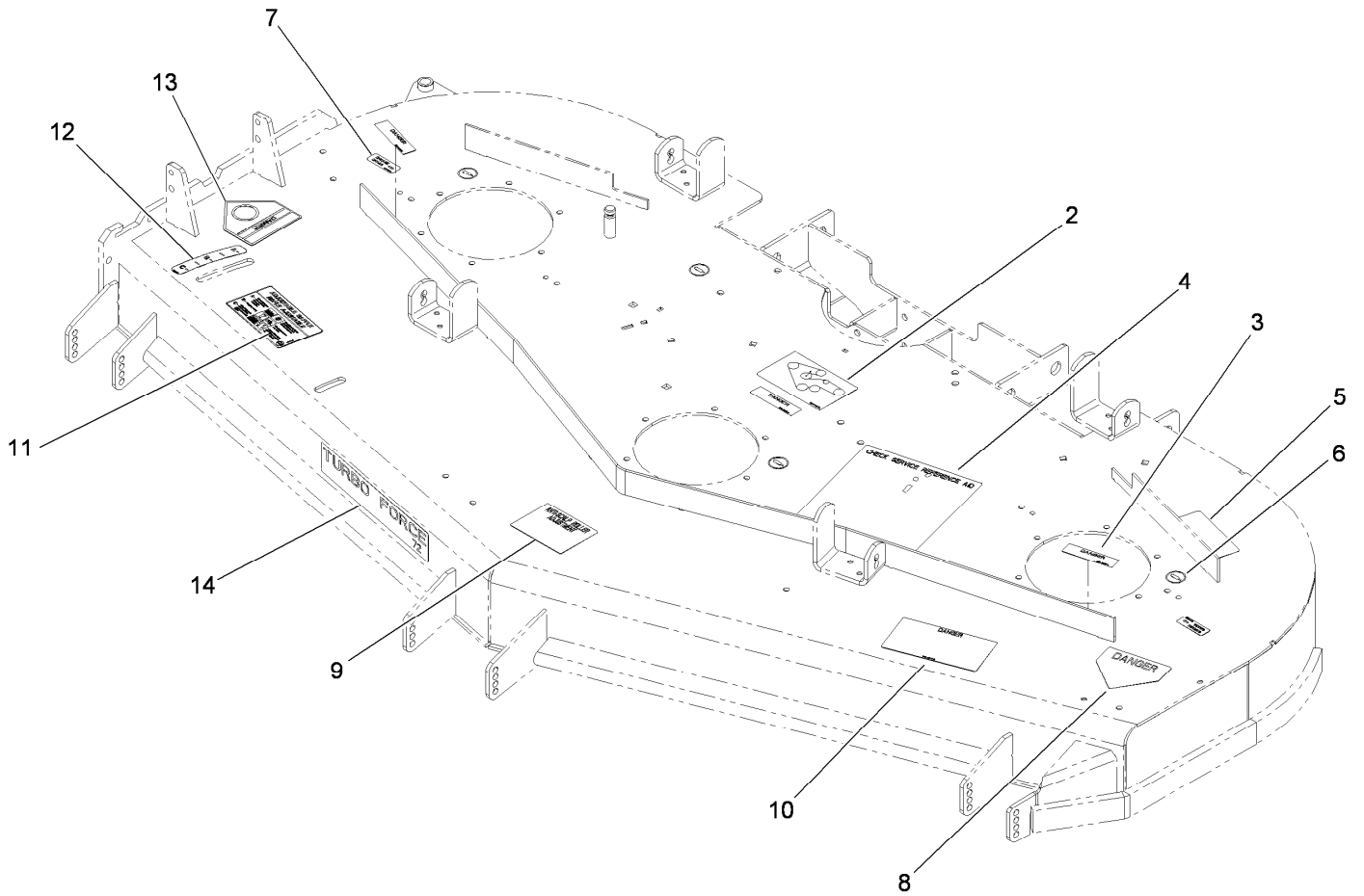
Deck Assembly (continued)

<i>Ref.</i>	<i>Part Number</i>	<i>Qty.</i>	<i>Description</i>	<i>Ref.</i>	<i>Part Number</i>	<i>Qty.</i>	<i>Description</i>
55	105-6992	1	Spring-Extension	61	106-6777	4	Handle-Latch, Swell
56	3231-21	1	Screw-CARR	62	106-6778	4	Bushing-Latch, Swell
57	105-7699	8	Strip-Seal	63	1-804254	4	Nut-Lock, HH
58	106-3216-01	1	Baffle-Discharge	64	112-8051	1	Spacer-Rubber
59	3296-39	6	Nut-Lock, NI	65	80-7710	1	Spacer-Pivot, Idler
60	108-5388	1	Screw-HH	66	33025-00	18	Nut-Lock, NI



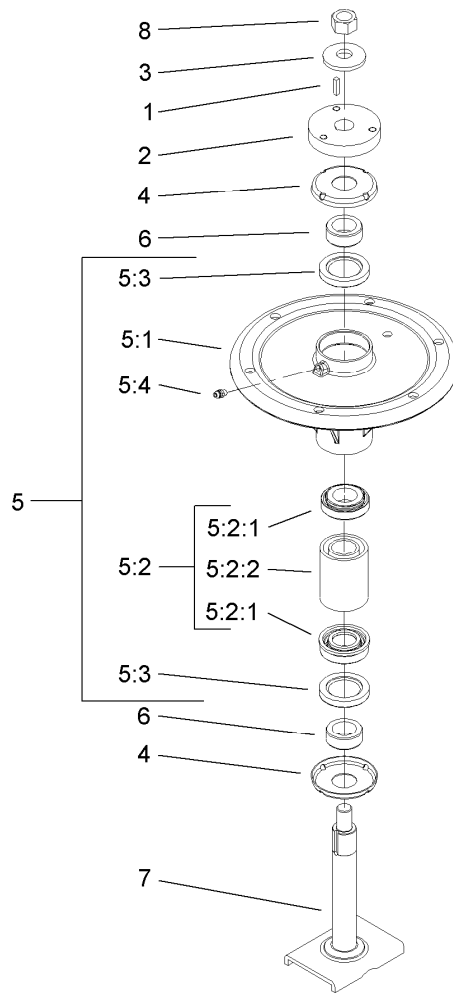
Pulley and Bearing Assembly No. 114-0210

<i>Ref.</i>	<i>Part Number</i>	<i>Qty.</i>	<i>Description</i>
2	104-6325	2	Bearing-Ball
3	112-8047	1	Spacer-Bearing
4	32120-8	1	Ring-Snap



Deck Decal Assembly No. 117-3859

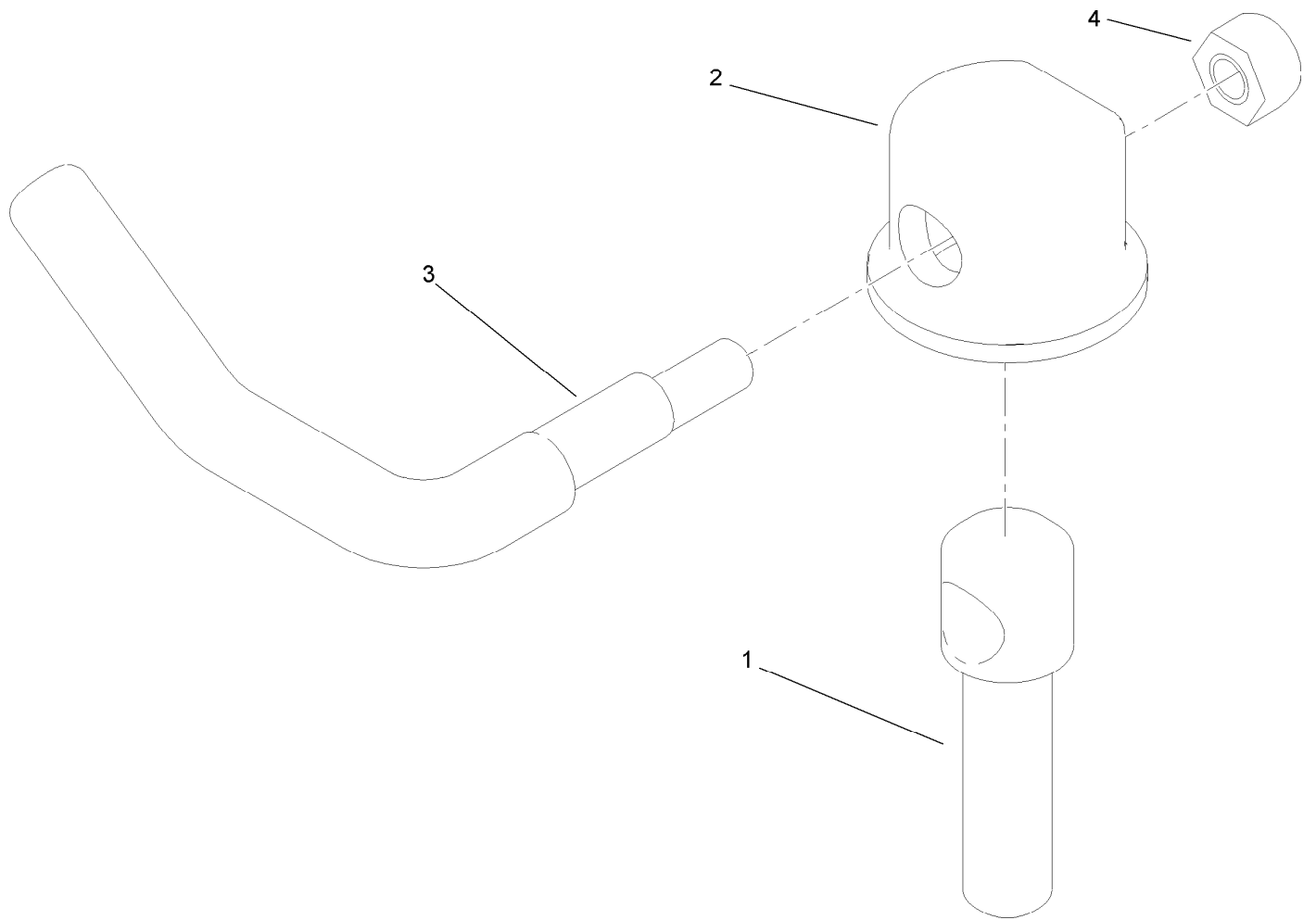
<i>Ref.</i>	<i>Part Number</i>	<i>Qty.</i>	<i>Description</i>
2	107-7673	1	Decal-Routing, Belt
3	98-5954	3	Decal-Cover, Missing
4	107-9863	1	Decal-Check, Service
5	68-8340	1	Decal-Torque
6	58-6520	4	Decal-Grease
7	107-1613	2	Decal-Grease
8	1-403005	1	Decal-Danger
9	105-7798	1	Decal-Scalp, Anti
10	66-1340	1	Decal-Danger, Thrown Object
11	110-2068	1	Decal-Adjustment, Baffle
12	110-2067	1	Decal-Setting, Baffle
13	54-9220	1	Decal-Danger
14	107-1620	1	Decal



Spindle Assembly No. 110-3933

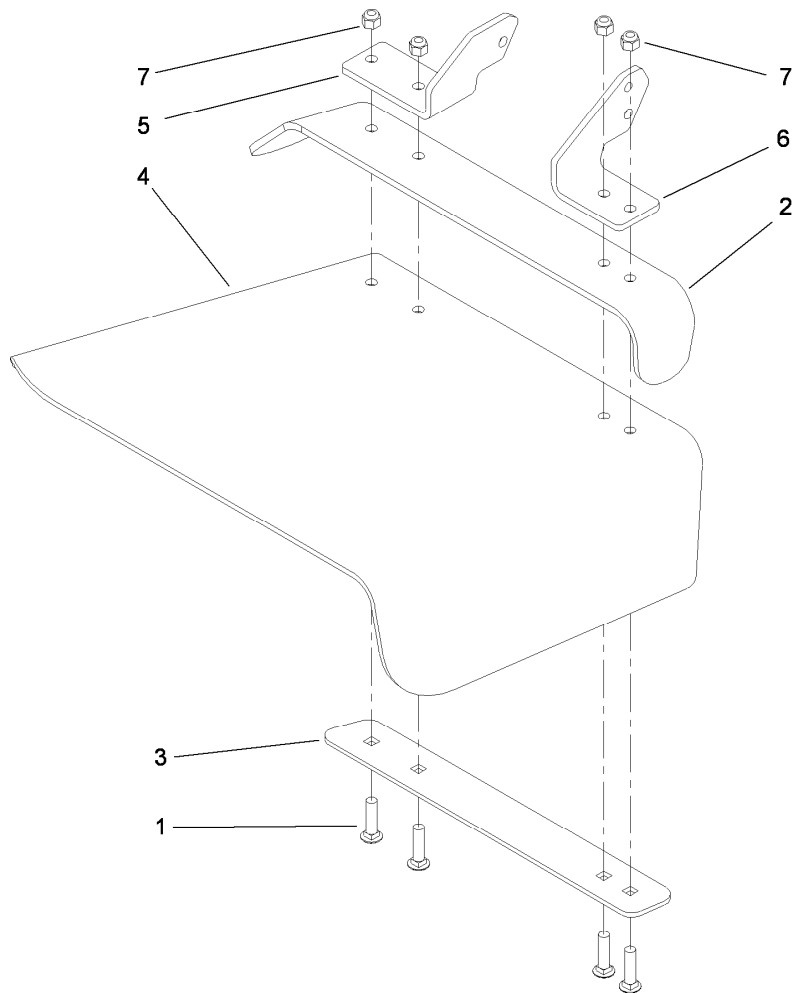
<i>Ref.</i>	<i>Part Number</i>	<i>Qty.</i>	<i>Description</i>
1	10-8040	1	Key-Square
2	108-7793	1	Hub-Pulley
3	103-0865	1	Washer-Blade Bolt, Heavy
4	106-3204	2	Shield-Bearing
5		1	Spindle Bearing ASM ●
5:1	106-3211	1	Housing-Spindle
5:2	108-7711	1	Bearing ASM
5:2:1	108-7710	1	Bearing ASM
5:2:2	106-3206	1	Spacer (Matched Set)
5:3	253-133	2	Seal-Oil
5:4	302-5	1	Fitting-Grease
6	106-3218	2	Spacer-Seal
7	106-3233	1	Spindle Shaft ASM
8	3219-6	1	Nut-Hex

● Not serviced separately



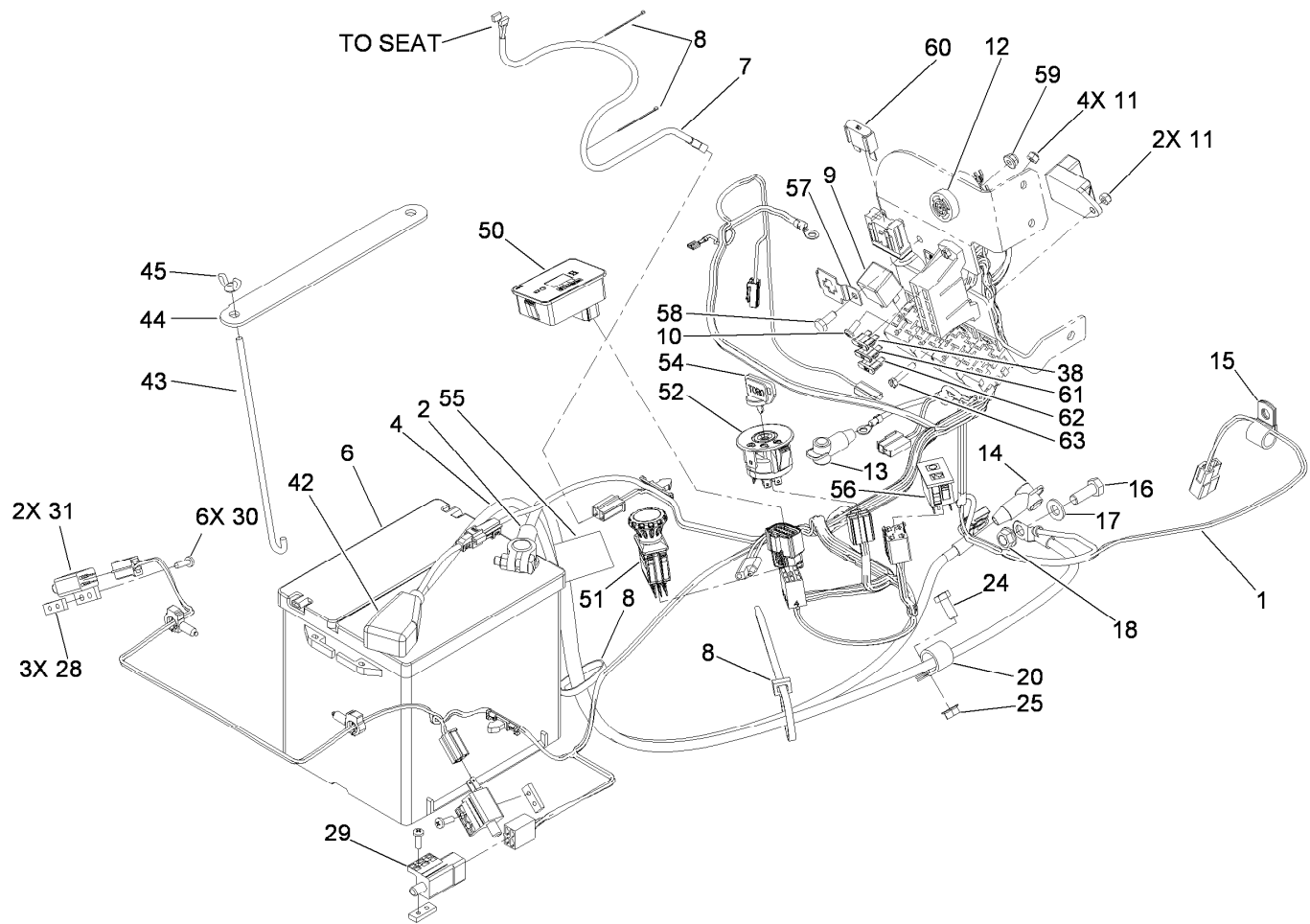
Lever Assembly No. 107-1664

<i>Ref.</i>	<i>Part Number</i>	<i>Qty.</i>	<i>Description</i>
1	106-3239	1	Screw-Lock
2	107-1644	1	Cap-Lock
3	106-3241	1	Lever-Lock
4	3296-29	1	Nut-Lock, NI



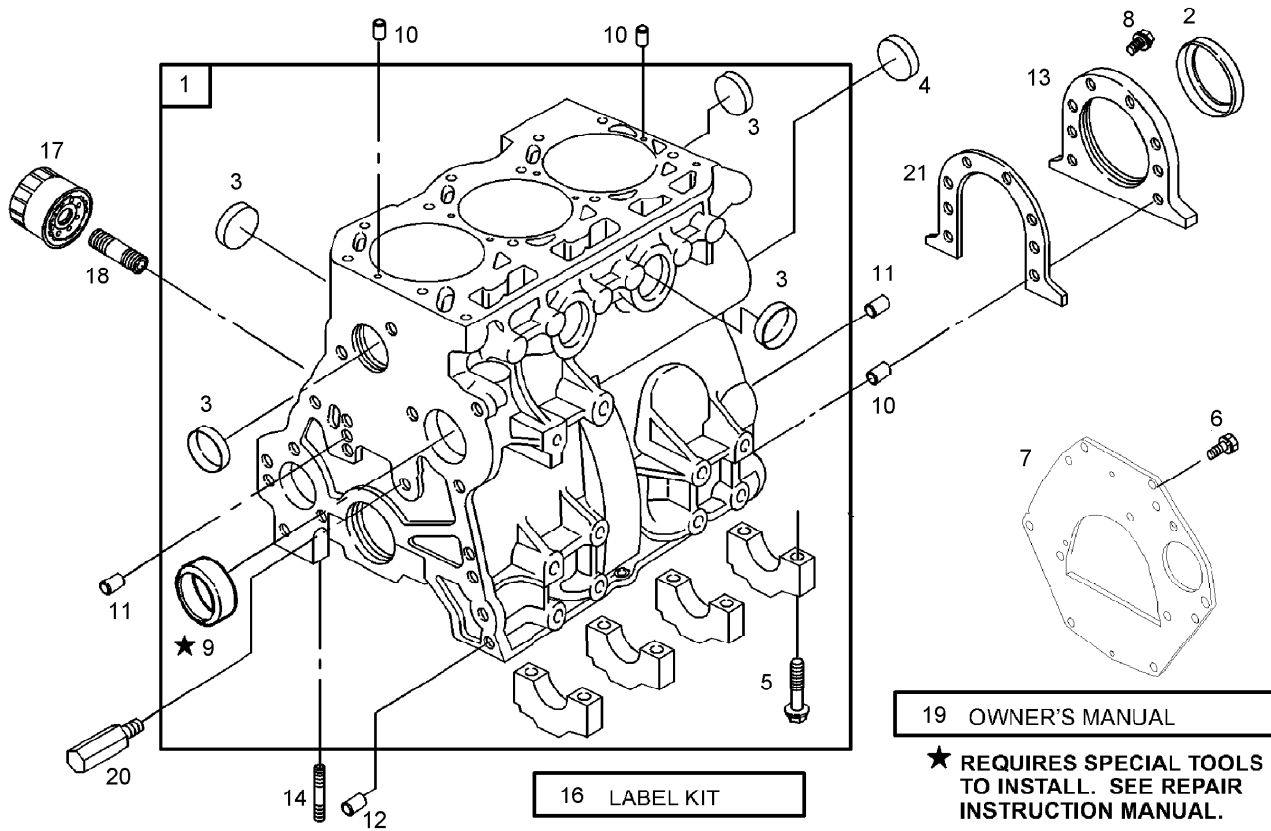
Rubber Deflector Assembly No. 108-2792

<i>Ref.</i>	<i>Part Number</i>	<i>Qty.</i>	<i>Description</i>
1	3231-4	4	Screw-CARR
2	106-3246-01	1	Deflector
3	106-3248-03	1	Strap-Discharge
4	108-5029	1	Deflector-Rubber
5	108-4059-01	1	Plate-Hinge, Rear
6	106-3253-01	1	Plate-Hinge, Front
7	3296-39	4	Nut-Lock, NI



Electrical Assembly

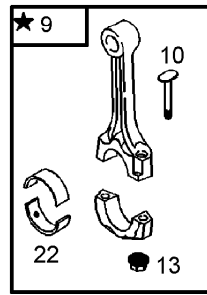
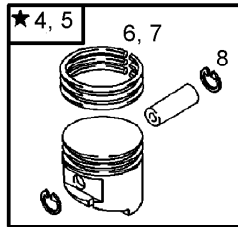
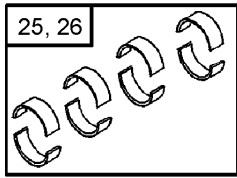
<i>Ref.</i>	<i>Part Number</i>	<i>Qty.</i>	<i>Description</i>	<i>Ref.</i>	<i>Part Number</i>	<i>Qty.</i>	<i>Description</i>
1	117-3817	1	Harness-Electrical	30	3290-500	6	Screw-PPH
2	117-3851	1	Cable-Battery, Negative	31	1-513051	2	Switch-Open, Normally
4	103-1160	1	Cable-Starter	38	1-816001	1	Fuse-Blade Type, 20 Amp
6	106-5187	1	Battery	42	103-1340	1	Insulator-Terminal, Battery
7	103-1227	1	Harness-Wiring, Seat	43	103-1312	2	Bolt-Holddown
8	1-303335	4	Tie-Plastic	44	103-1311-03	1	Holddown-Battery
9	1-643275	4	Relay	45	1-543792	2	Wingnut
10	1-803071	4	Screw	50	112-8650	1	Hour Meter ASM
11	3296-2	6	Nut-Lock, NI	51	116-0124	1	Switch-PTO, 10A
12	103-0205	1	Alarm-Tone, Dual	52	116-0050	1	Switch-Ignition
13	1-643178	1	Cap-Insulator, Red	54	63-8360	2	Key-Ignition
14	103-1420	1	Insulator-Starter	55	107-9309	1	Decal-Instructions, Charging
15	1-603727	1	Clip-Loom	56	100-8071	1	Lamp-Warning
16	323-6	1	Screw-HH	57	114-5502	1	Clip-Fuse
17	3256-24	1	Washer-Flat	58	321-3	1	Screw-HH
18	3290-357	1	Nut-HHF, Whiz	59	104-7201	1	Nut-HF
20	1-633396	1	Clip-Loom	60	94-8002	1	Fuse-Blade, 50 Amp
24	322-3	1	Screw-HH	61	218-578	1	Fuse-Blade, 10 Amp
25	32128-20	1	Nut-HF	62	109103	1	Fuse-Blade, 30 Amp
28	1-633181	3	Plate-Tapped	63	32105-12	2	Screw
29	1-633111	1	Switch				



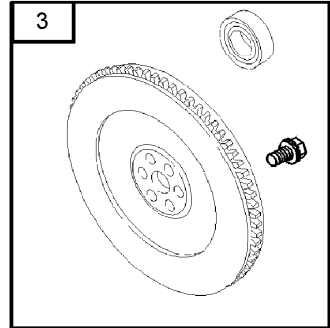
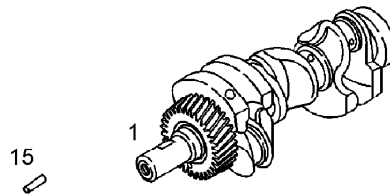
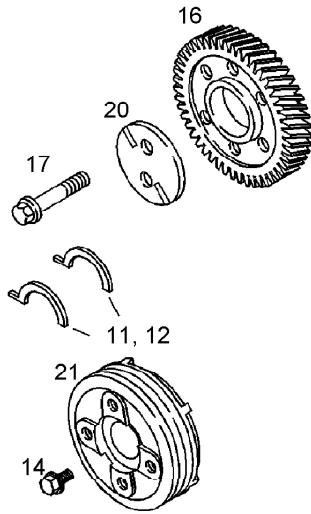
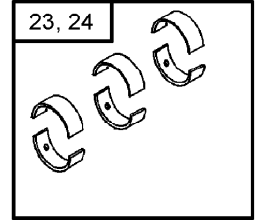
Assemblies include all parts shown in frames.

Cylinder Assembly

Ref.	Part Number	Qty.	Description
1	107-9891	1	Cylinder ASM
2	99-9003	1	Seal-Oil
3	99-9008	1	Plug-Welch
4	107-9892	1	Plug-Welch (Cam)
5	99-9006	1	Screw-Hex
6	99-9005	1	Screw-Hex
7	107-9893	1	Plate-End, Rear
8	99-9004	1	Screw-Hex
9	99-9002	1	Bushing
10	99-9012	1	Pin-Locating
11	99-9013	1	Pin-Locating
12	99-9014	1	Pin-Locating
13	99-9022	1	Retainer-Seal
14	99-9007	1	Stud-Metric
16	107-9894	1	Kit-Label
17	99-9017	1	Filter-Oil
18	105-9337	1	Adapter-Filter, Oil
19	103-1384	1	Manual-Engine
20	99-9020	1	Nozzle-Oil
21	99-9021	1	Gasket-Retainer



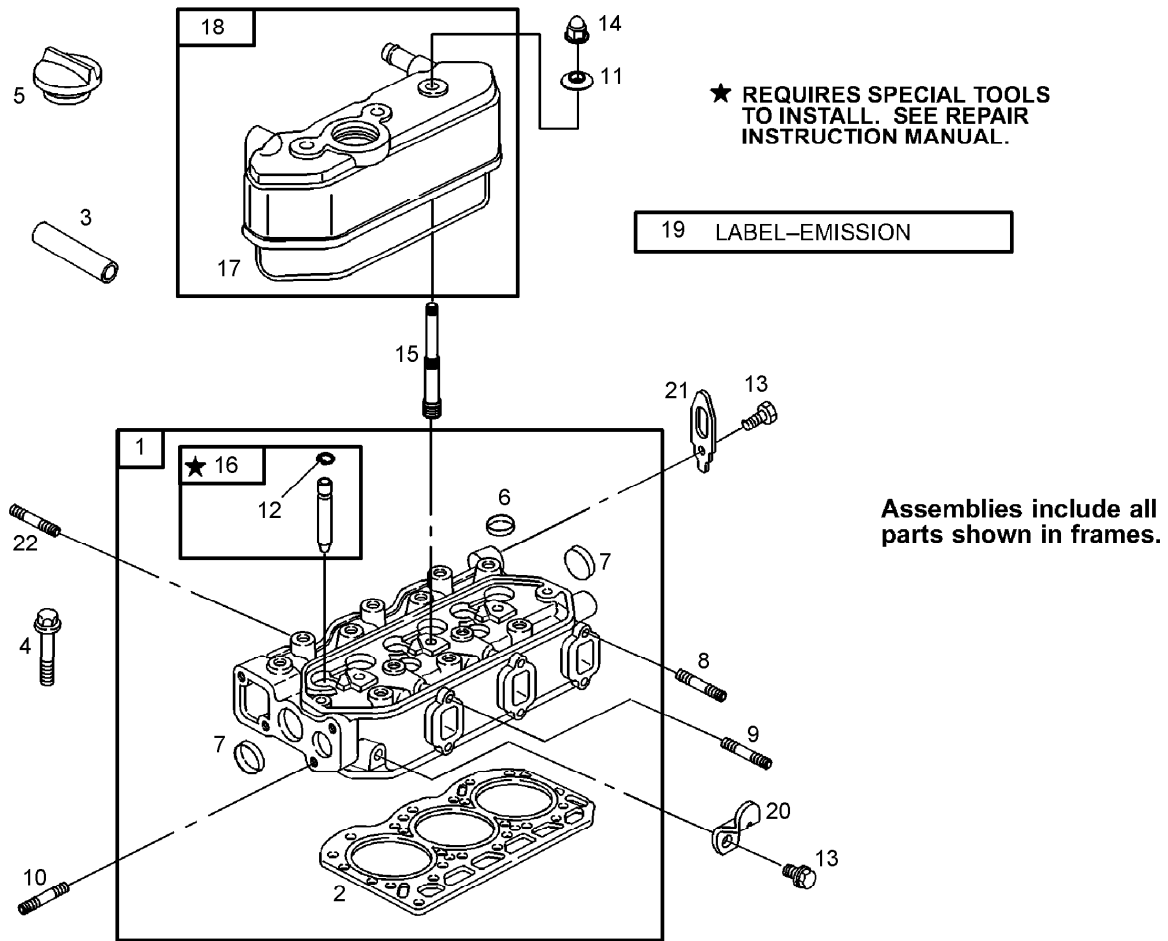
★ REQUIRES SPECIAL TOOLS TO INSTALL. SEE REPAIR INSTRUCTION MANUAL.



Assemblies include all parts shown in frames.

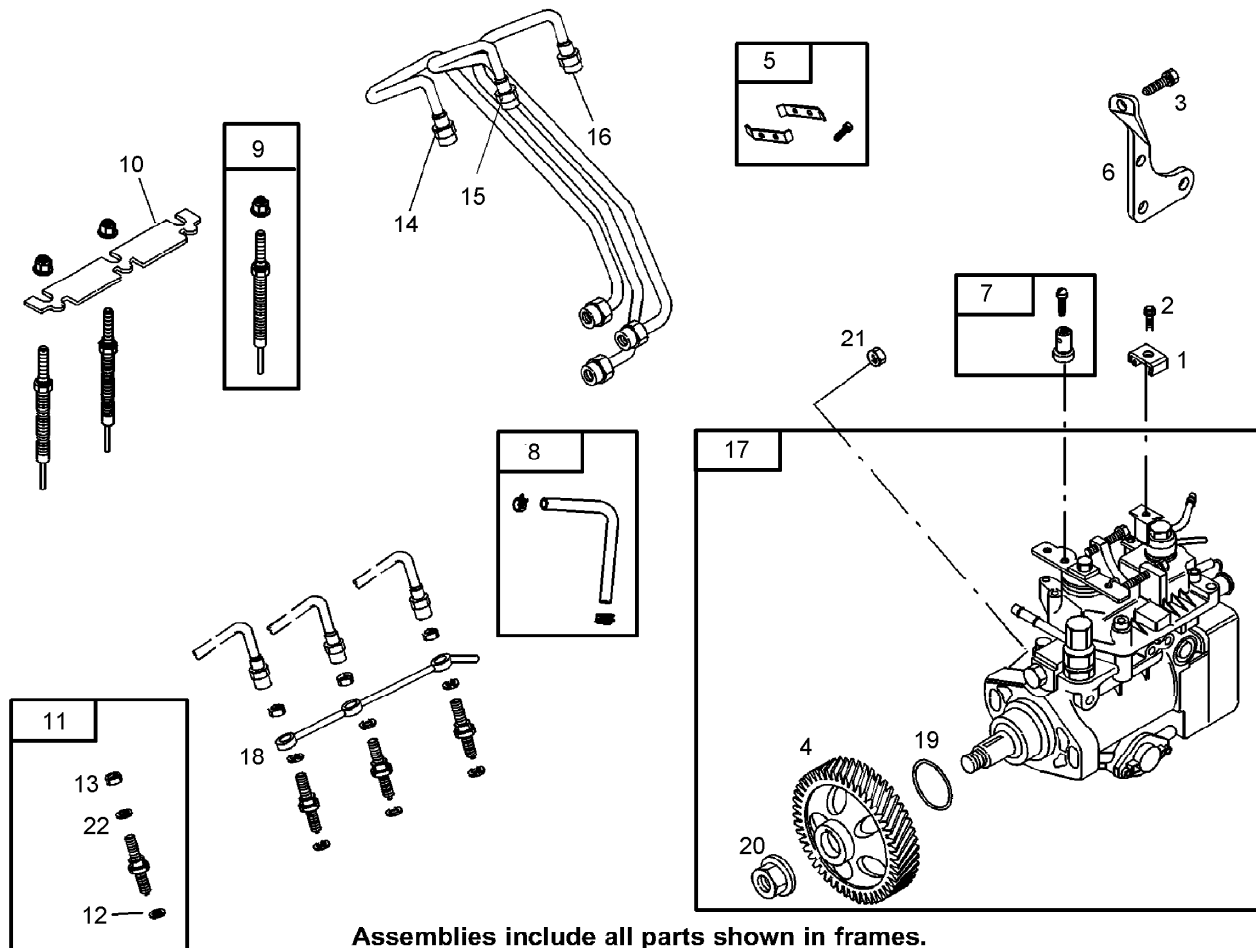
Crankshaft Assembly

Ref.	Part Number	Qty.	Description
1	105-9339	1	Crankshaft
3	99-9024	1	Flywheel
4	107-9895	1	Piston ASM
5	107-9896	1	Piston ASM (Oversize)
6	105-9340	1	Ring Set
7	99-9269	1	Ring Set (.010 Oversized)
8	99-9607	1	Lock-Pin, Piston
9	99-9608	1	Rod-Connecting
10	99-9030	1	Screw
11	99-9035	1	Shim-Endplay
12	99-9036	1	Shim-Endplay (.005 Oversized)
13	99-9034	1	Nut-Hex
14	107-9897	1	Screw-Hex
15	99-9037	1	Pin-Locating
16	99-9609	1	Gear-Drive
17	99-9032	1	Screw-Hex
20	99-9040	1	Plate-Gear, Idler
21	99-9041	1	Pulley-Crankshaft
22	99-9042	1	Bearing-Rod
23	99-9043	1	Rod Bearing Set
24	99-9044	1	Rod Bearing Set (.010 Undersized)
25	99-9045	1	Main Bearing Set (Set Of 8)
26	99-9046	1	Main Bearing Set (.010 Undersized)



Cylinder Head Assembly

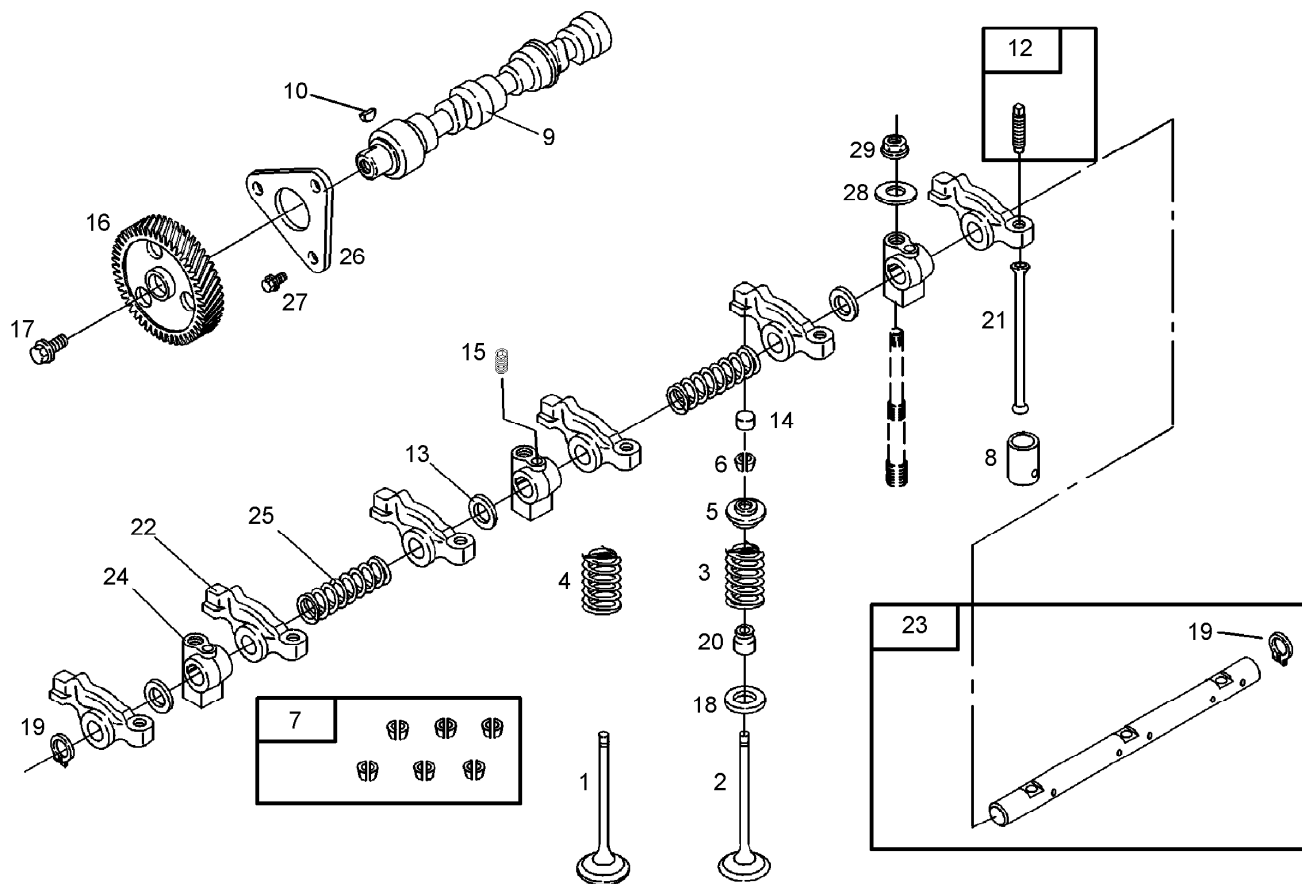
Ref.	Part Number	Qty.	Description
1	105-9341	1	Head-Cylinder
2	107-9898	1	Gasket-Head, Cylinder
3	105-9342	1	Tube-Breather
4	99-9614	1	Screw-Metric
5	99-9052	1	Cap-Fill, Oil
6	99-9060	1	Plug-Welch
7	99-9008	1	Plug-Welch
8	99-9058	1	Stud-Metric
9	99-9059	1	Stud-Metric
10	99-9057	1	Stud-Metric
11	99-9063	1	Washer-Seal
12	99-9067	1	Retainer
13	99-9054	1	Screw-Hex
14	99-9061	1	Nut-Hex, Metric
15	99-9101	1	Stud-Arm, Rocker
16	99-9070	1	Bushing-Guide
17	99-9073	1	Gasket-Cover, Rocker
18	100-6402	1	Cover-Rocker
19	107-9899	1	Emmision Label Kit
20	99-9076	1	Bracket-Lifting
21	99-9077	1	Bracket-Lifting
22	99-9055	1	Stud-Metric



Assemblies include all parts shown in frames.

Injection Pump Assembly

Ref.	Part Number	Qty.	Description
1	99-9622	1	Clamp-Casing
2	99-9056	1	Screw-Hex
3	99-9616	1	Screw-Hex
4	99-9689	1	Gear-Drive
5	99-9625	1	Clamp
6	99-9626	1	Bracket-Support
7	99-9628	1	Clamp-Swivel
8	99-9629	1	Hose / Clamp ASM
9	99-9630	1	Plug-Glow
10	99-9631	1	Strap-Plug, Glow
11	99-9632	1	Nozzle-Injector
12	99-9633	1	Seat-Injector
13	105-9345	1	Nut
14	99-9690	1	Pipe-Injector, No. 1
15	99-9634	1	Pipe-Injector, No. 2
16	99-9635	1	Pipe-Injector, No. 3
17	105-9334	1	Pump-Injection
18	99-9637	1	Pipe-Return, Fuel
19	99-9618	1	O-Ring
20	99-9620	1	Nut-Hex, Metric
21	99-9619	1	Nut-Hex, Metric
22	105-9343	1	Seat-Injector

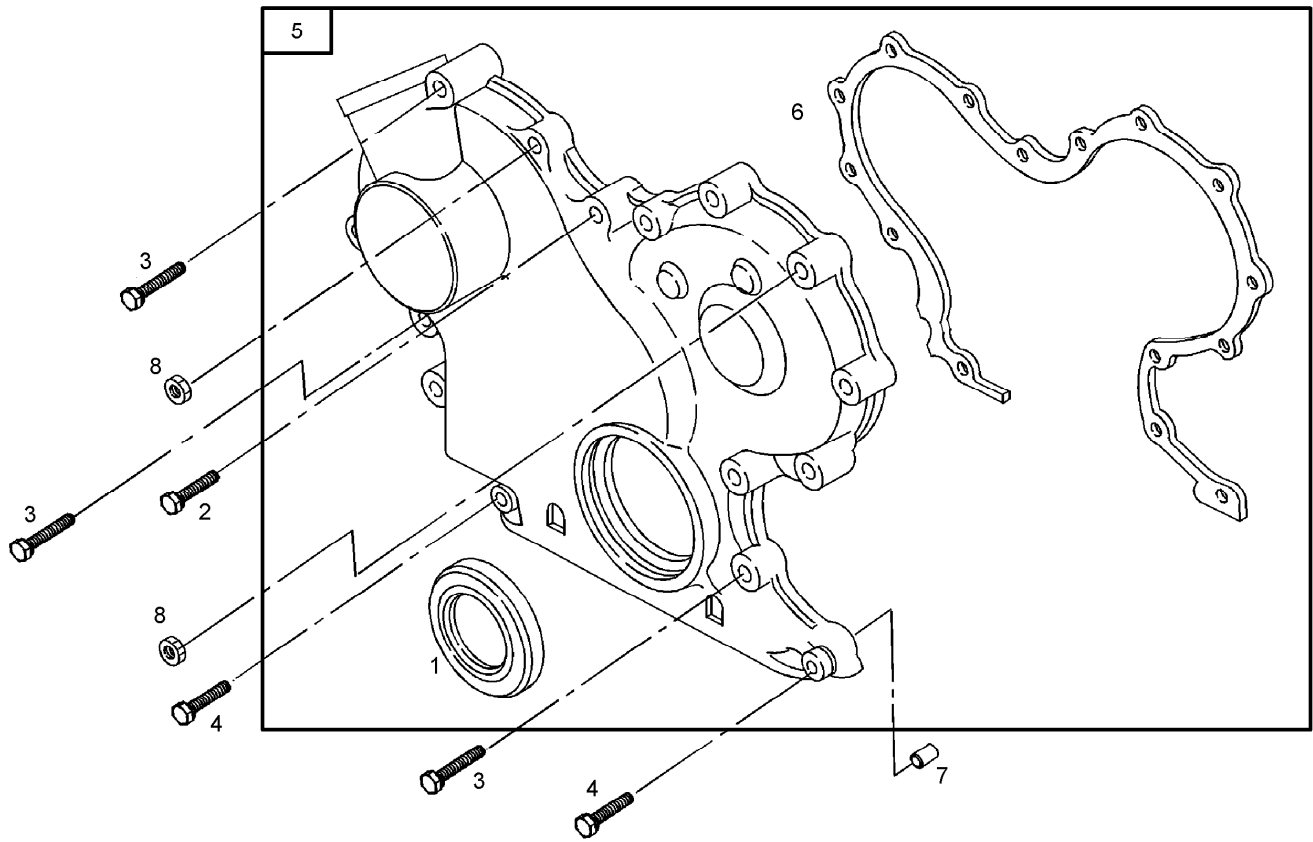


Assemblies include all parts shown in frames.

Camshaft Assembly

Ref.	Part Number	Qty.	Description
1	99-9638	1	Valve-Exhaust
2	99-9639	1	Valve-Intake
3	99-9640	1	Spring-Valve
4	99-9640	1	Spring-Valve
5	99-9084	1	Retainer-Valve
6	99-9086	1	Keeper-Valve (Set)
7	99-9087	1	*obs* Keeper-Valve (Set Of 6)
8	99-9088	1	Tappet-Valve
9	99-9097	1	Shaft-Cam
10	99-9675	1	Key-Timing
12	99-9092	1	Adjuster-Arm, Rocker
13	99-9093	1	Washer-Spacer
14	99-9094	1	Cap-Valve
15	99-9090	1	Screw-Metric

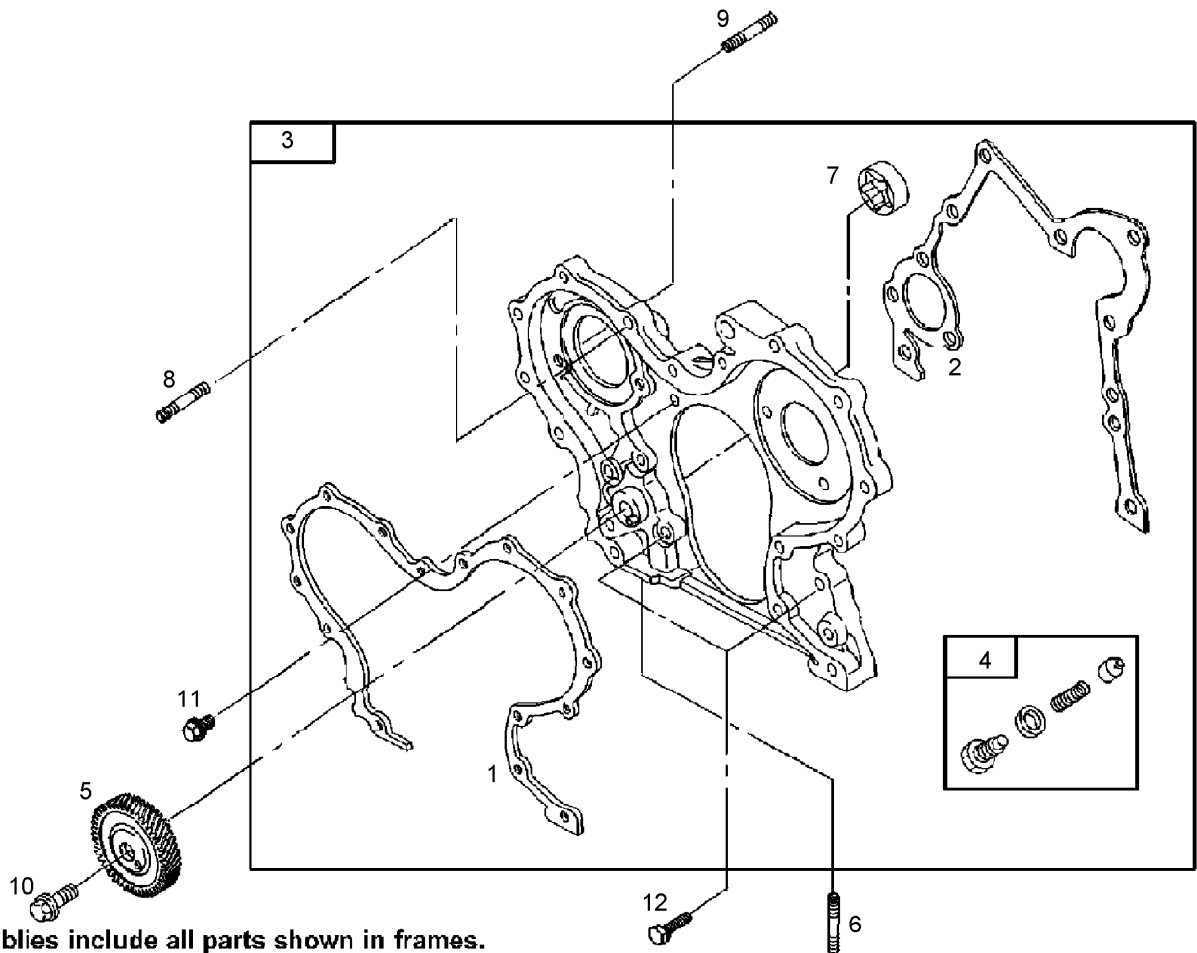
Ref.	Part Number	Qty.	Description
16	99-9641	1	Gear-Cam
17	99-9085	1	Screw-Metric
18	99-9096	1	Seat-Spring, Valve
19	99-9099	1	Retainer
20	99-9643	1	Seal-Valve
21	99-9103	1	Rod-Push
22	99-9104	1	Arm-Rocker
23	99-9106	1	Shaft-Arm, Rocker
24	99-9107	1	Support-Arm, Rocker
25	99-9108	1	Spring-Shaft, Rocker
26	99-9109	1	Retainer-Camshaft
27	99-9083	1	Screw-Hex
28	99-9079	1	Washer-Flat
29	99-9091	1	Nut-Hex, Metric



Assemblies include all parts shown in frames.

Gear Cover Assembly

<i>Ref.</i>	<i>Part Number</i>	<i>Qty.</i>	<i>Description</i>
1	115-2318	1	Gasket Kit
2	99-9651	1	Screw-Hex
3	99-9128	1	Screw-Hex
4	99-9129	1	Screw-Hex
5	99-9652	1	Gear Cover ASM
6	99-9653	1	Gasket-Cover, Gear
7	99-9014	1	Pin-Locating
8	99-9114	1	Nut-Hex, Metric

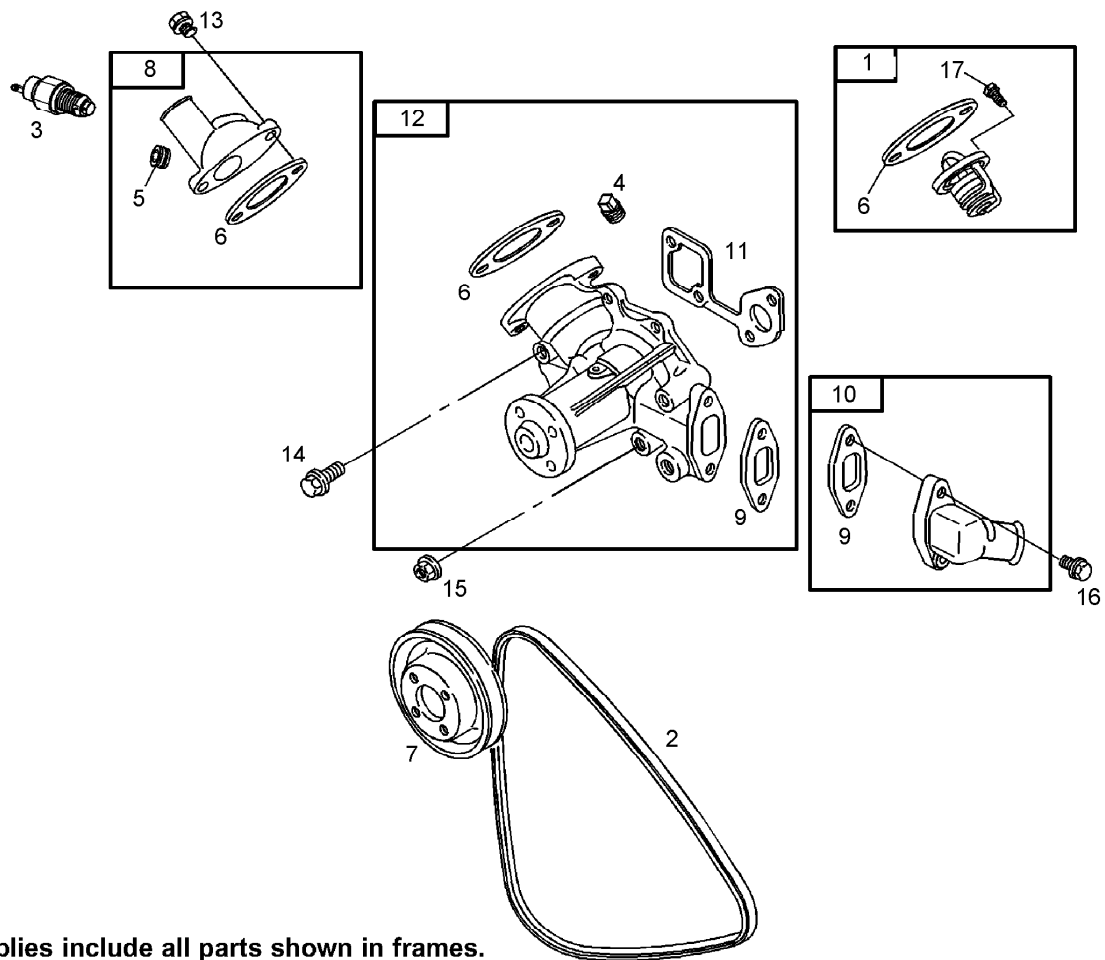


Assemblies include all parts shown in frames.

Gear Housing Assembly

<i>Ref.</i>	<i>Part Number</i>	<i>Qty.</i>	<i>Description</i>
1	99-9653	1	Gasket-Cover, Gear
2	99-9136	1	Gasket-Cover, Gear Reduction
3	99-9655	1	Housing-Gear
4	99-9142	1	Valve-Relief, Oil
5	99-9656	1	Gear-Drive
6	99-9007	1	Stud-Metric
7		1	Gerotor ●
8	99-9137	1	Stud-Metric
9	99-9654	1	Stud-Metric
10	99-9135	1	Screw-Hex
11	99-9134	1	Screw-Hex
12	99-9133	1	Screw-Hex

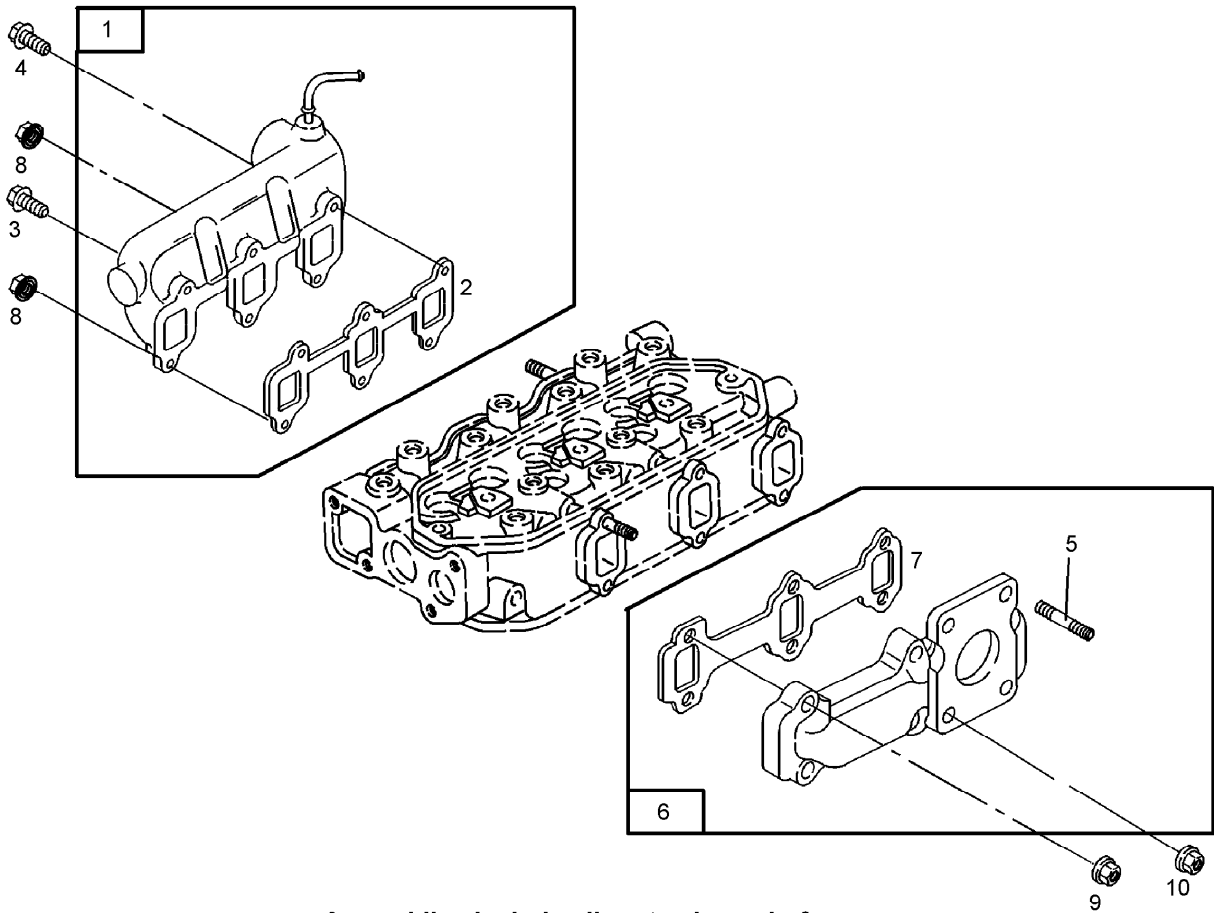
● Not serviced separately



Assemblies include all parts shown in frames.

Water Pump Assembly

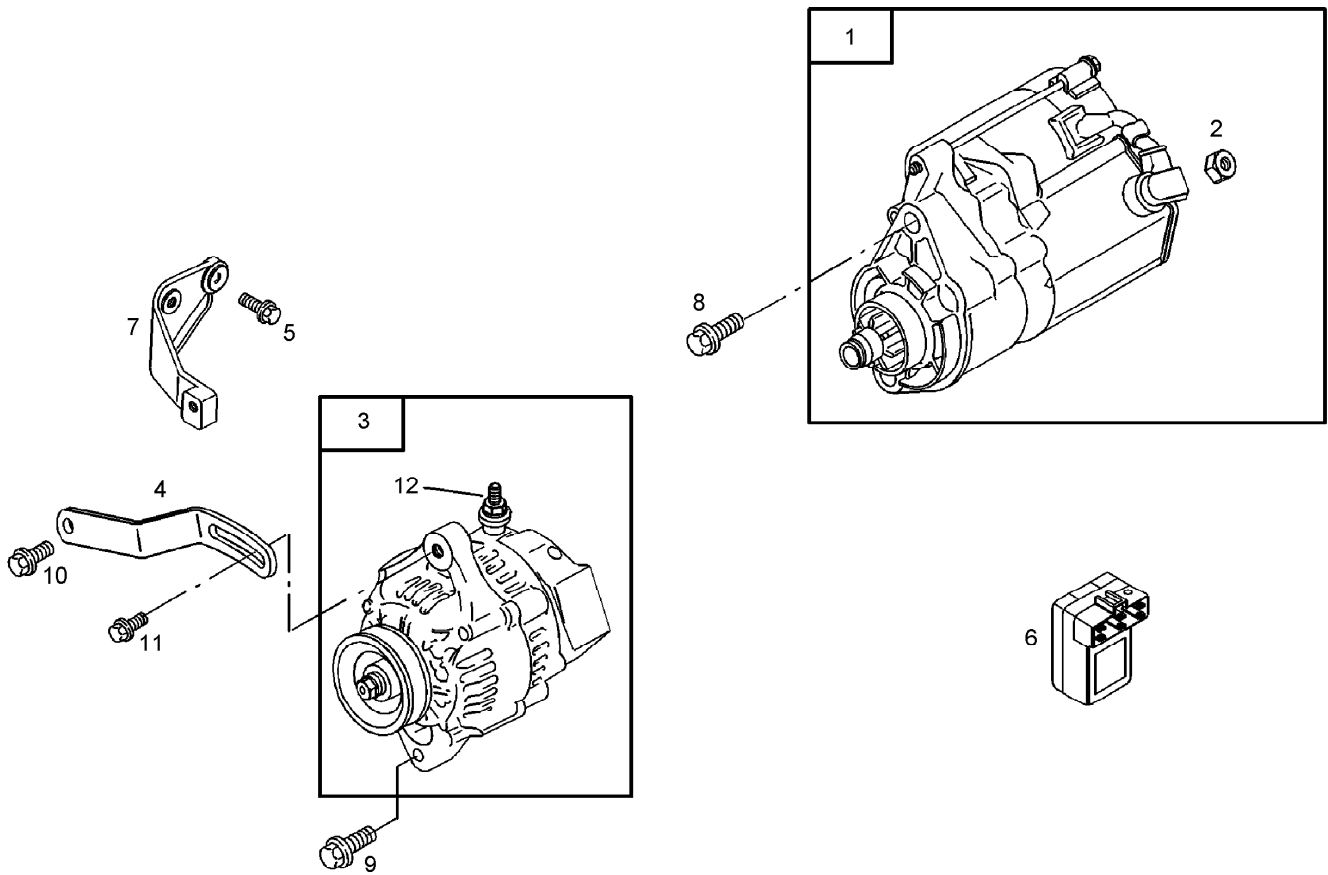
<i>Ref.</i>	<i>Part Number</i>	<i>Qty.</i>	<i>Description</i>
1	99-9155	1	Thermostat
2	99-9156	1	Belt-V
3	107-9902	1	Switch-Temperature, Water
4	99-9159	1	Plug
5	99-9158	1	Plug
6	99-9163	1	Gasket-Housing, Outlet
7	99-9164	1	Pulley-Pump
8	99-9165	1	Housing-Outlet
9	99-9166	1	Gasket-Housing, Inlet
10	99-9167	1	Housing-Inlet
11	99-9168	1	Gasket-Pump, Water
12	99-9659	1	Pump-Water
13	99-9004	1	Screw-Hex
14	99-9151	1	Screw-Hex
15	99-9153	1	Nut-Hex, Metric
16	99-9004	1	Screw-Hex
17	99-9152	1	Screw-Metric



Assemblies include all parts shown in frames.

Manifold Assembly

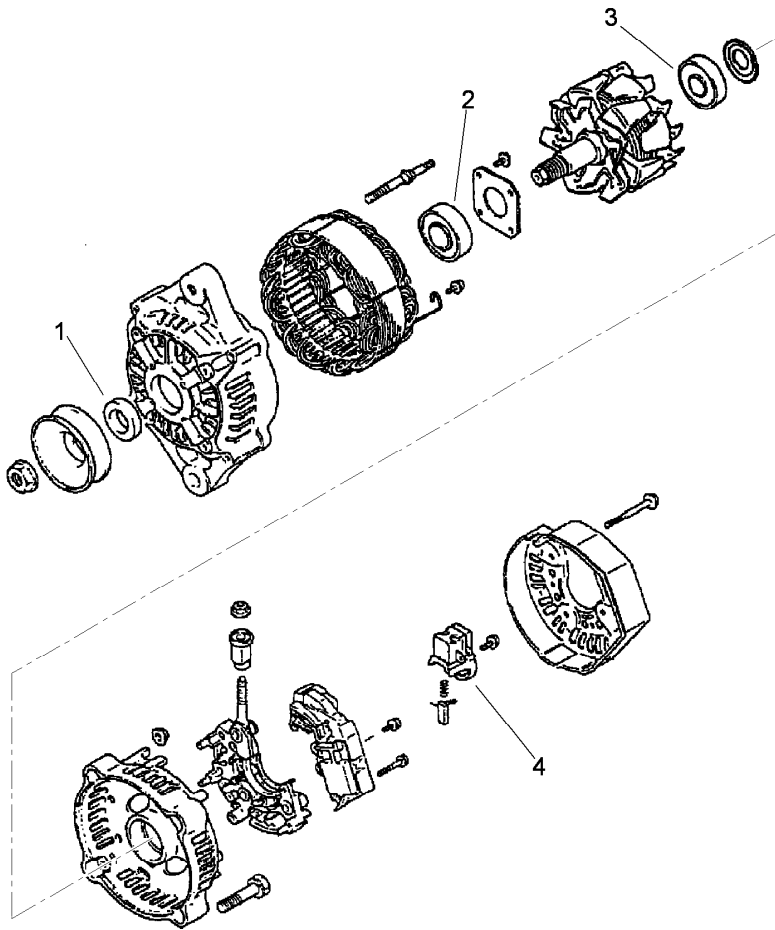
<i>Ref.</i>	<i>Part Number</i>	<i>Qty.</i>	<i>Description</i>
1	99-9661	1	Manifold-Intake
2	99-9662	1	Gasket-Intake
3	99-9004	1	Screw-Hex
4	99-9660	1	Screw-Hex
5	99-9174	1	Stud-Manifold, Exhaust
6	99-9177	1	Manifold-Exhaust
7	106-1855	1	Gasket-Exhaust
8	99-9114	1	Nut-Hex, Metric
9	99-9175	1	Nut-Hex, Metric
10	99-9176	1	Nut-Hex



Assemblies include all parts shown in frames.

Starter Motor and Alternator Assembly

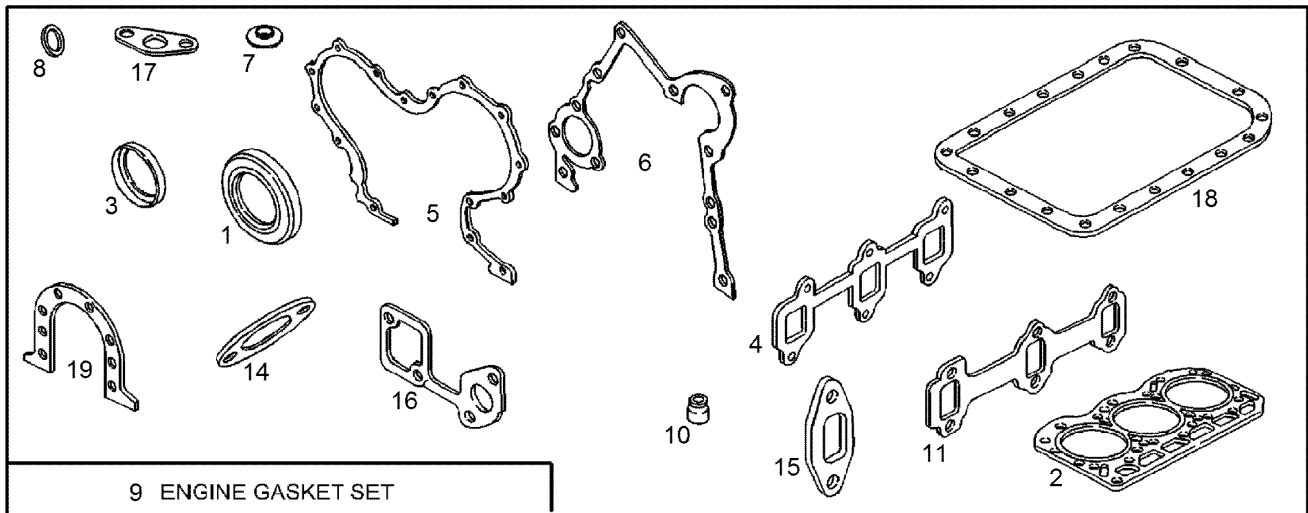
<i>Ref.</i>	<i>Part Number</i>	<i>Qty.</i>	<i>Description</i>
1	99-9207	1	Motor-Starter
2	99-9206	1	Nut-Hex, Metric
3	99-9209	1	Alternator
4	106-1952	1	Strap-Adjusting
5	99-9203	1	Screw-Hex
6	99-9666	1	Module
7	99-9211	1	Bracket-Support
8	99-9201	1	Screw-Hex
9	99-9205	1	Screw-Hex, Metric
10	99-9202	1	Screw-Hex
11	107-9903	1	Screw-Hex, Metric
12	99-9114	1	Nut-Hex, Metric



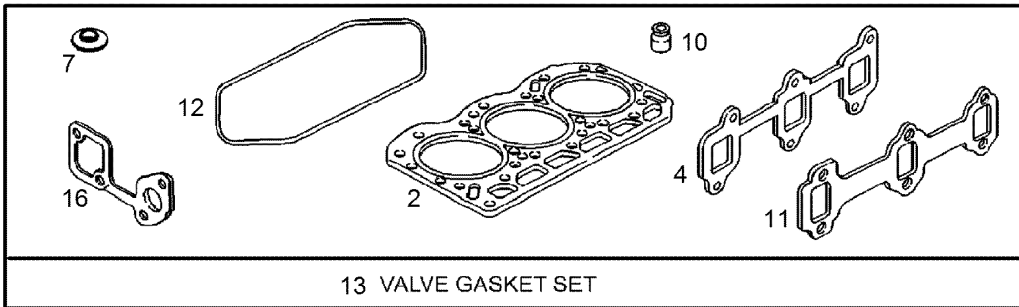
Parts not listed in parts list are not serviced separately

Alternator Assembly No. 99-9209

<i>Ref.</i>	<i>Part Number</i>	<i>Qty.</i>	<i>Description</i>
1	100-5315	1	Collar
2	100-5316	1	Bearing
3	100-5317	1	Bearing
4	100-5318	1	Brush Holder ASM



9 ENGINE GASKET SET



13 VALVE GASKET SET

Assemblies include all parts shown in frames

Gasket Assembly

<i>Ref.</i>	<i>Part Number</i>	<i>Qty.</i>	<i>Description</i>	<i>Ref.</i>	<i>Part Number</i>	<i>Qty.</i>	<i>Description</i>
1	99-9003	1	Seal-Oil	10	99-9643	1	Seal-Valve
2	107-9898	1	Gasket-Head, Cylinder	11	106-1855	1	Gasket-Exhaust
3	115-2318	1	Gasket Kit	12	99-9073	1	Gasket-Cover, Rocker
4	99-9662	1	Gasket-Intake	13	107-9907	1	Valve Overhaul Kit
5	99-9653	1	Gasket-Cover, Gear	14	99-9163	1	Gasket-Housing, Outlet
6	99-9136	1	Gasket-Cover, Gear Reduction	15	99-9166	1	Gasket-Housing, Inlet
7	99-9063	1	Washer-Seal	16	99-9168	1	Gasket-Pump, Water
8	99-9249	1	Washer-Seal	17	99-9120	1	Gasket-Strainer, Oil
9	107-9906	1	Gasket Set	18	99-9121	1	Gasket-Pan, Oil
				19	99-9021	1	Gasket-Retainer

Attachments and Accessories

For 74269 Z590-D Z Master With 72in TURBO FORCE Side Discharge Mower

Product Name	Model/Part
Blade-Mid Flow, 24.5 inch.....	105-7711-03
Blade-Lo Flow, 24.5 inch.....	105-7712-03
Blade-Atomic, 24.5 inch.....	105-7719-03
Blade-Recycler, 24.5 inch.....	105-7778-03
Blade-Hi Flow, 24.5 inch.....	105-7784-03
Recycler Kit.....	107-1612
Striping Kit.....	107-1630
Turbo Baffle Kit.....	107-1634
Light Kit.....	107-9880
6 Pack Blade, 24.5 inch Hi-Flow.....	108-1120
6 Pack Blade, 24.5 inch Atomic.....	108-1126
Roller Striping Kit.....	108-2162
6 Pack-Blade, 24.5 inch Mid-Flow.....	110-0404
6 Pack-Blade, 24.5 inch Lo-Flow.....	110-0410
6 Pack-Blade, 24.5 inch Recycler.....	110-0411
Hitch Kit.....	110-0444
Cool Top ROPS Mounted Fan.....	110-1996
Bimini Folding Shade Assembly.....	115-4510
Chute Gate Kit.....	78522
Deck Triple Bag Assembly.....	78535
Blower and Drive Kit.....	78539
DFS E-Z Vac Bagger.....	78545
Filter Minder Gauge.....	99-4664

Notes:

Notes:

Notes:



Count on it.