



**Count on it.**

**Parts Catalog**

**Z590-D Z Master®**

**With 72in TURBO FORCE® Side Discharge  
Mower**

**Model No. 74269—Serial No. 310000001 and Up**

# Ordering Replacement Parts

To order replacement parts, please supply the part number, the quantity, and the description of each part desired.

## Understanding Reference Numbers

Each identified part in an illustration has a reference number. The reference number for a part also appears in the parts list, along with other information about the part.

This catalog uses two special reference number formats, one to indicate parts in a service assembly and another to indicate the quantity of a given part in an illustration.

## Service Assembly Reference Numbers

Parts in service assemblies have reference numbers in the form a:b. The a represents the reference number of the entire service assembly and the b represents a sequential number unique to each part within the service assembly.

For example, a wheel assembly might be identified by reference number 6, the tire by 6:1, the valve by 6:2, and the wheel by 6:3. When you order the assembly identified by reference number 6, you receive all parts identified by reference numbers 6:1, 6:2, and 6:3. However, you may also order any part individually. Reference numbers of this type appear in illustration and in parts lists.

## Reference Numbers Indicating Quantity

In an illustration, if a reference number indicates more than one part, the reference number has the form nX y. The n represents the quantity of the part, the X is the multiplication symbol, and the y represents the reference number.

For example, in an illustration, the reference number 2X 37 means that two of the parts identified by reference number 37 are indicated.

# List of Abbreviations

**AR:** as required

**ASM:** assembly

**BBC:** blade brake control

**BHTF:** button head thread forming

**CARR:** carriage

**CCW:** counter clockwise

**CW:** clockwise

**DEG:** degrees

**DPA:** Dual Point Adjustment

**ECM:** electronic control module

**EXT:** external

**FH:** flat head

**GA:** gauge

**HD:** heavy-duty

**HF:** hex flange

**HH:** hex head

**HHF:** hex head flange

**HHFTF:** hex head flange thread forming

**HJ:** hex jam

**HLH:** hex lag head

**HOC:** height-of-cut

**HSBH:** hex socket button head

**HSFH:** hex socket flat head

**HSH:** hex socket head

**HWH:** hex washer head

**HWTF:** hex washer head thread forming

**HYD:** hydraulic

**LH:** left hand

**LP:** Liquid Propane

**NI:** nylon insert

**NPTF:** national pipe thread fine

**PFH:** phillips flat head

**PPH:** phillips pan head

**PPHTF:** phillips pan head thread forming

**PRH:** phillips round head

**PTH:** phillips truss head

**PTO:** power-take-off

**RH:** right hand

**ROPS:** roll-over protection system

**RRB:** rear roller brush

**SFH:** slotted fillister head

**SHH:** slotted hex head

**SHWH:** slotted hex washer head

**SPH:** slotted pan head

**SQH:** square head

**SRH:** slotted round head

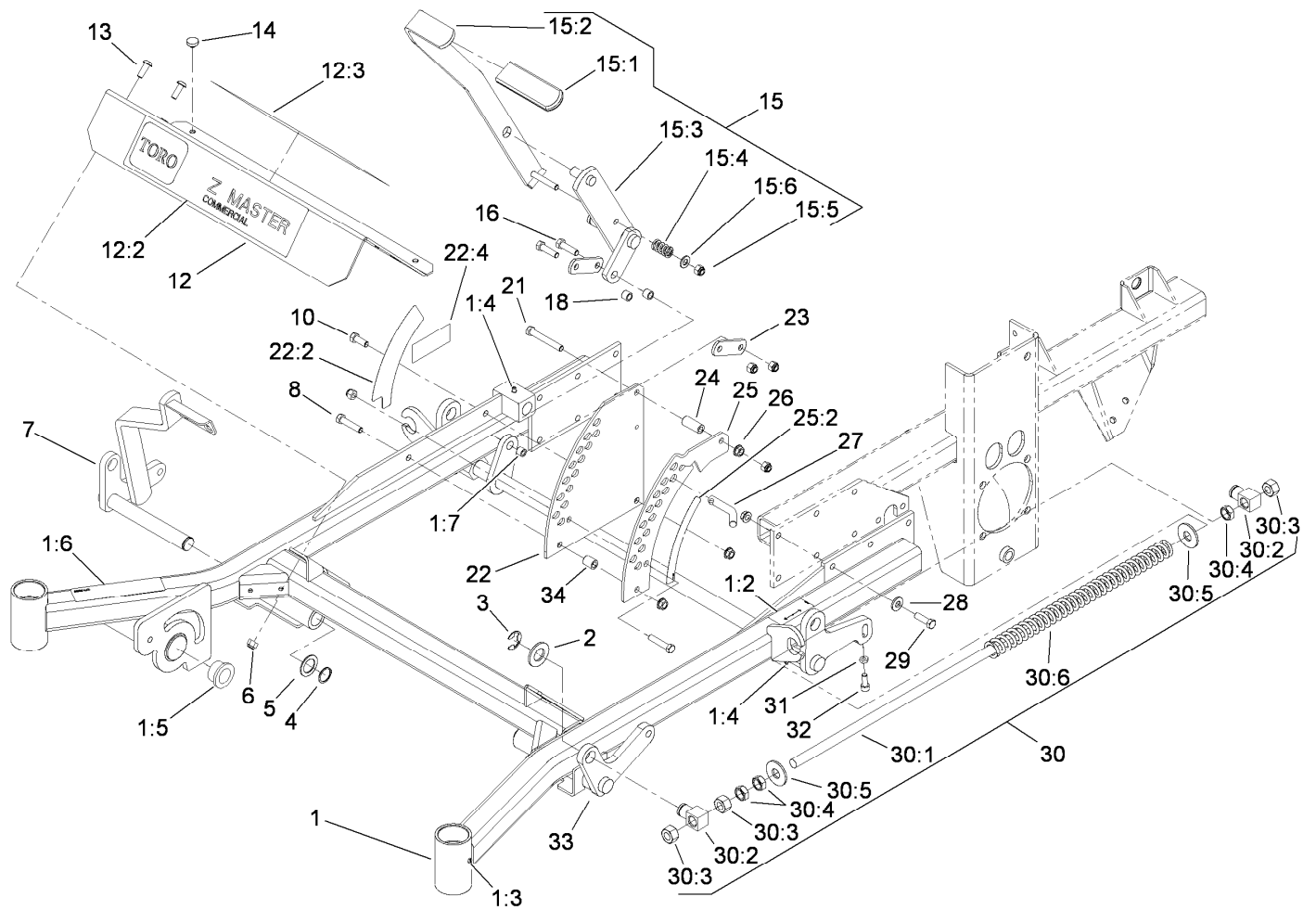
**STD:** standard

**TAP:** self tapping

**TTH:** torx truss head

# Contents

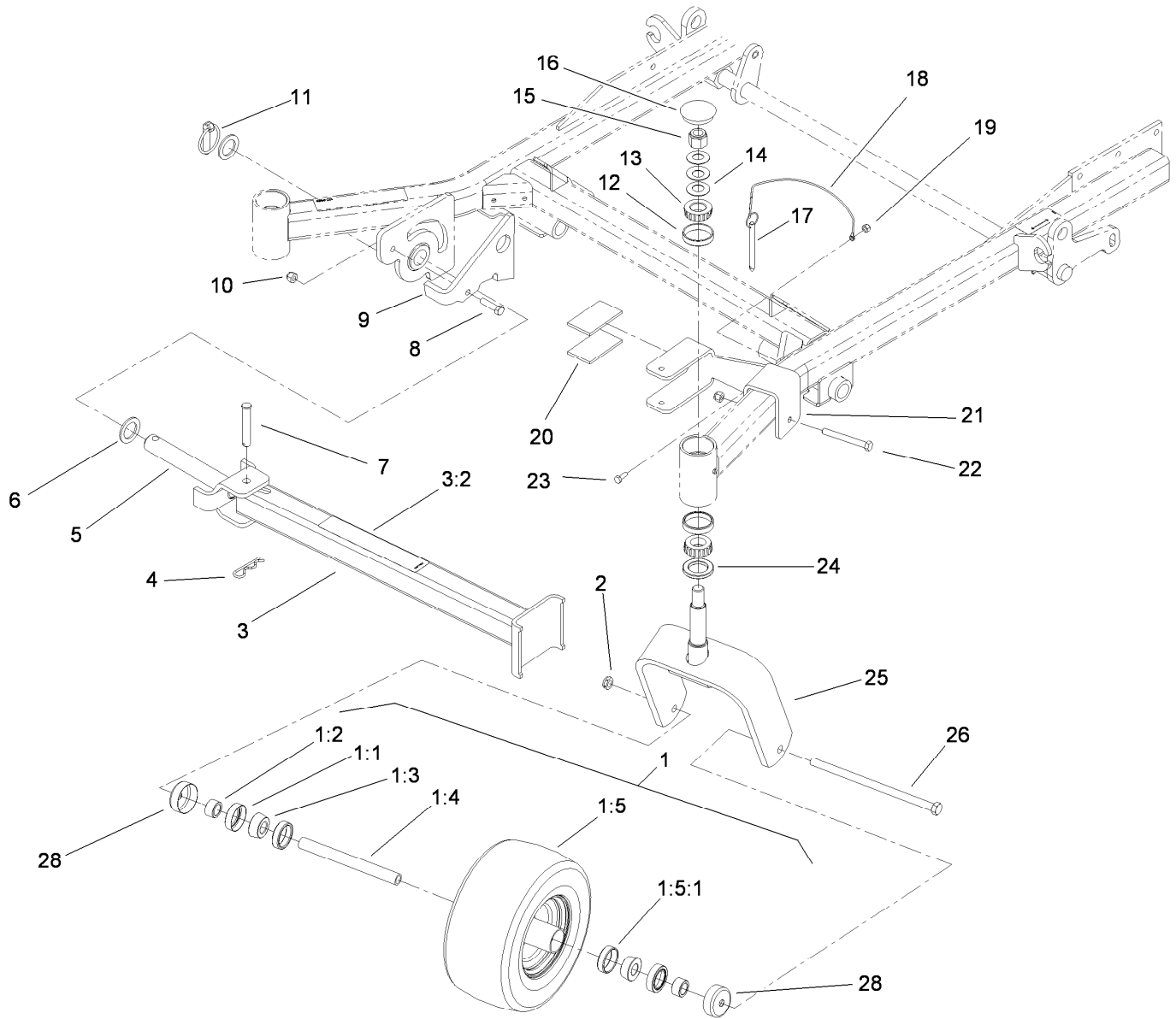
|   |    |
|---|----|
| Front Frame Assembly                              | 4  |
| Caster Wheel and Z Stand Assembly                 | 5  |
| Engine Frame, Console and Floor Pan Assembly      | 6  |
| Seat and Roll-Over Protection System Assembly     | 7  |
| Deluxe Seat Assembly No. 110-0838                 | 8  |
| Roll-Over Protection System Assembly No. 106-7437 | 9  |
| Wheel and Brake Assembly                          | 10 |
| Motion Control Assembly                           | 11 |
| RH Motion Control Assembly No. 109-3978           | 12 |
| LH Motion Control Assembly No. 109-3979           | 13 |
| Engine Mount Assembly                             | 14 |
| Wheel Pump Drive Assembly                         | 15 |
| Deck Belt Drive Assembly                          | 16 |
| Cooling Pump Drive Assembly                       | 17 |
| Hydraulic System Assembly                         | 18 |
| Tank and Fuel Line Assembly                       | 20 |
| Front and Rear Engine Cover Assembly              | 22 |
| Cooling System Assembly                           | 24 |
| Hood Assembly                                     | 26 |
| Deck Connection Assembly                          | 27 |
| Deck Assembly                                     | 28 |
| Pulley and Bearing Assembly No. 114-0210          | 30 |
| Deck Decal Assembly No. 117-3859                  | 31 |
| Spindle Assembly No. 117-6159                     | 32 |
| Lever Assembly No. 107-1664                       | 33 |
| Rubber Deflector Assembly No. 108-2792            | 34 |
| Electrical Assembly                               | 35 |
| Cylinder Assembly                                 | 36 |
| Crankshaft Assembly                               | 37 |
| Cylinder Head Assembly                            | 38 |
| Injection Pump Assembly                           | 39 |
| Camshaft Assembly                                 | 40 |
| Oil Pan Assembly                                  | 41 |
| Gear Cover Assembly                               | 42 |
| Gear Housing Assembly                             | 43 |
| Water Pump Assembly                               | 44 |
| Manifold Assembly                                 | 45 |
| Starter Motor and Alternator Assembly             | 46 |
| Alternator Assembly No. 99-9209                   | 47 |
| Gasket Assembly                                   | 48 |
| Attachments and Accessories                       | 49 |



## Front Frame Assembly

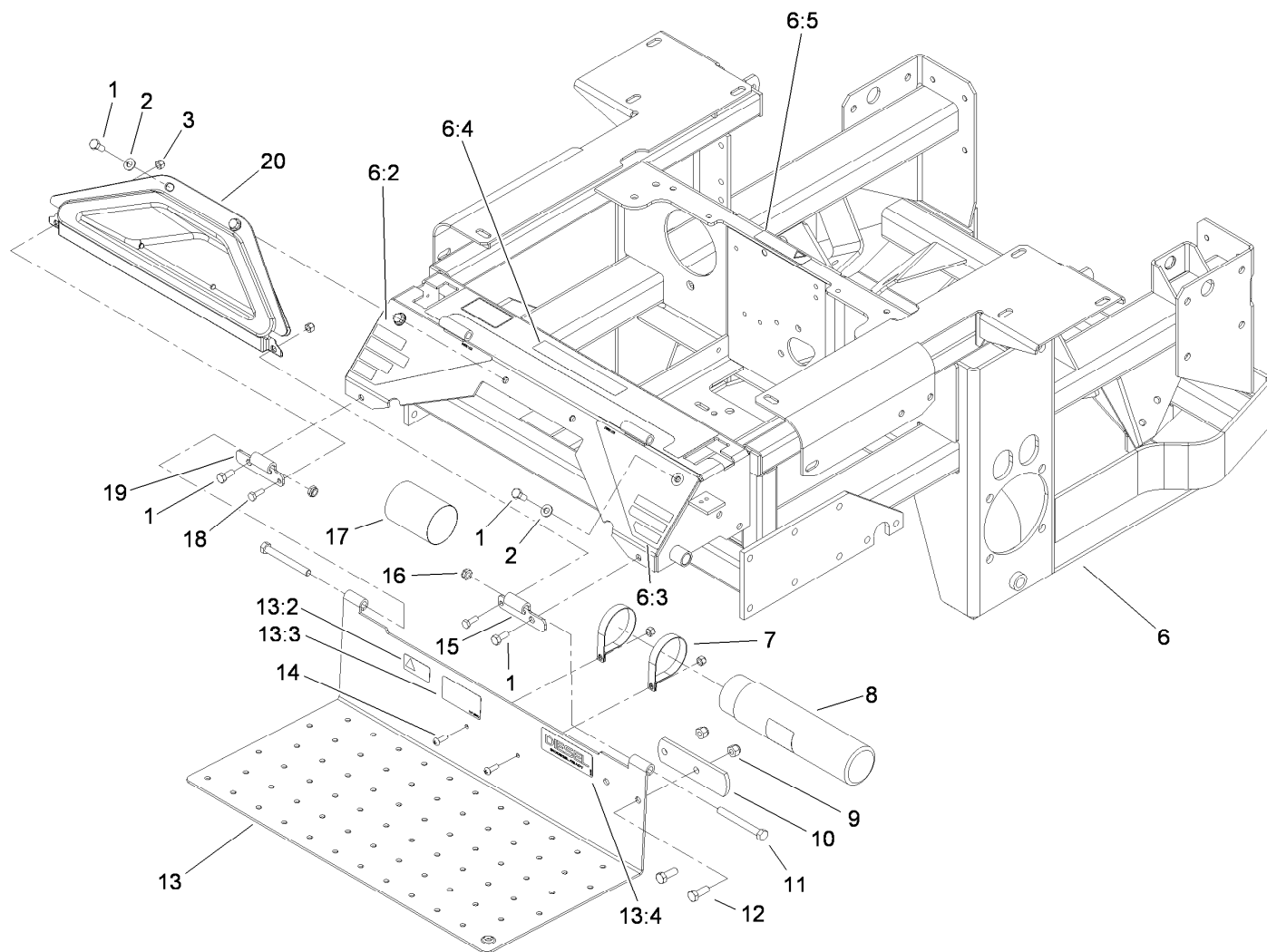
| Ref. | Part Number | Qty. | Description            | Ref. | Part Number | Qty. | Description              |
|------|-------------|------|------------------------|------|-------------|------|--------------------------|
| 1    | 110-8724    | 1    | Frame ASM              | 15:6 | 3256-24     | 1    | Washer-Flat              |
| 1:2  | 107-1857    | 1    | Decal-Brake, Parking   | 16   | 323-29      | 2    | Screw-HH                 |
| 1:3  | 1-811010    | 2    | Plug                   | 18   | 103-1918    | 2    | Bushing                  |
| 1:4  | 302-19      | 5    | Fitting-Grease         | 21   | 323-11      | 1    | Screw-HH                 |
| 1:5  | 94-1291     | 2    | Bushing                | 22   | 117-0366    | 1    | Plate-HOC, Outer         |
| 1:6  | 104-7759    | 1    | Decal-Warning          | 22:2 | 107-1860    | 1    | Decal-Height, Deck       |
| 1:7  | 103-1918    | 1    | Bushing                | 22:4 | 117-2718    | 1    | Decal-Arrester, Spark    |
| 2    | 3256-29     | 4    | Washer-Flat            | 23   | 1-633068    | 2    | Arm-Lift, Deck           |
| 3    | 32151-103   | 5    | Ring-Retaining, EXT    | 24   | 1-633082    | 1    | Bushing-Lever, Lift      |
| 4    | 32151-29    | 2    | Ring-Retaining         | 25   | 117-0369    | 1    | Plate-HOC, Inner         |
| 5    | 1-523157    | 2    | Washer-Spacer          | 25:2 | 107-1861    | 1    | Decal-Height, Deck       |
| 6    | 3296-39     | 8    | Nut-Lock, NI           | 26   | 3290-357    | 15   | Nut-HHF, Whiz            |
| 7    | 108-7786-01 | 1    | RH Front Deck Lift ASM | 27   | 109-8757    | 1    | Pin-HOC                  |
| 8    | 323-9       | 2    | Screw-HH               | 28   | 98-5975     | 12   | Washer-Belleville        |
| 10   | 323-6       | 1    | Screw-HH               | 29   | 323-7       | 12   | Screw-HH                 |
| 12   | 106-9981    | 1    | Footrest               | 30   |             | 2    | Front Frame Spring ASM ● |
| 12:2 | 106-7451    | 1    | Decal                  | 30:1 | 1-633096    | 1    | Rod-Lift, Deck           |
| 12:3 | 107-2112    | 1    | Decal-Warning          | 30:2 | 1-633441    | 2    | Swivel-Deck Mount, Rear  |
| 13   | 3274-94     | 4    | Screw-HSBH             | 30:3 | 3217-11     | 3    | Nut-Hex                  |
| 14   | 1-513658    | 2    | Bumper                 | 30:4 | 3218-6      | 3    | Nut-Jam                  |
| 15   | 110-5860    | 1    | Deck Lift Handle ASM   | 30:5 | 3256-7      | 2    | Washer-Flat              |
| 15:1 | 1-633295    | 1    | Grip-Lever, Lift       | 30:6 | 1-643015    | 1    | Spring-Support, Deck     |
| 15:2 | 103-2083    | 1    | Lever-Lift             | 31   | 3218-2      | 2    | Nut-Jam                  |
| 15:3 | 103-2064    | 1    | Arm-Lift, Deck         | 32   | 3274-18     | 2    | Screw-HSH                |
| 15:4 | 1-633325    | 1    | Spring-Compression     | 33   | 106-8984-01 | 1    | LH Deck Lift ASM         |
| 15:5 | 3296-39     | 1    | Nut-Lock, NI           | 34   | 1-633080    | 1    | Bushing-Lever, Lift      |

● Not serviced separately



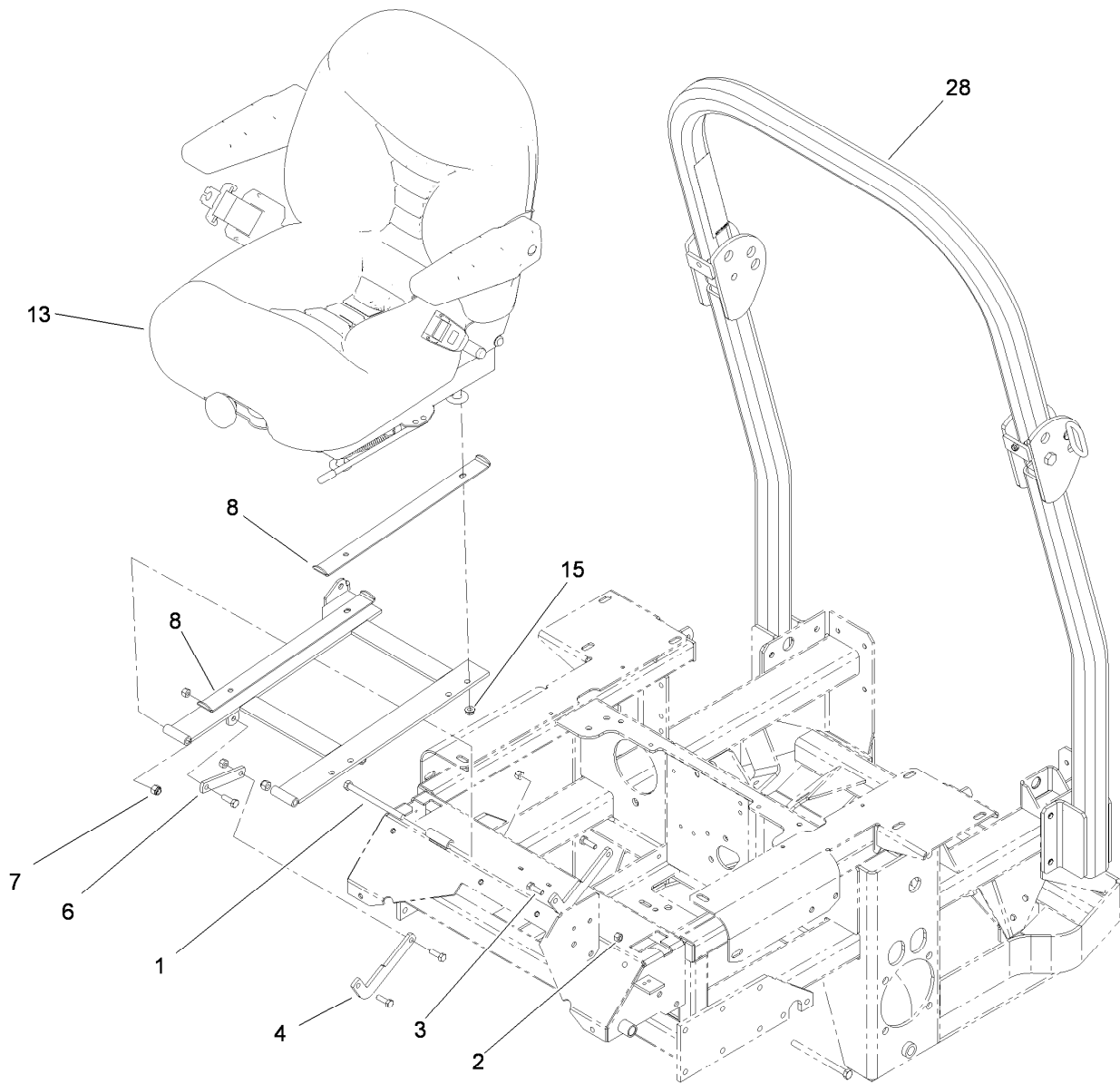
## Caster Wheel and Z Stand Assembly

| Ref.  | Part Number | Qty. | Description         | Ref. | Part Number | Qty. | Description           |
|-------|-------------|------|---------------------|------|-------------|------|-----------------------|
| 1     | 109-9125    | 2    | Wheel And Tire ASM  | 11   | 283-71      | 1    | Pin-Lynch             |
| 1:1   | 1-633585    | 2    | Bearing-Cone, Taper | 12   | 254-72      | 4    | Bearing-Cup, Tapered  |
| 1:2   | 103-0063    | 2    | Seal-Caster         | 13   | 254-94      | 4    | Bearing-Cone, Tapered |
| 1:3   | 103-3051    | 2    | Spacer-Nut          | 14   | 1-633508    | 6    | Washer-Bellville      |
| 1:4   | 103-5156    | 1    | Axle-Caster         | 15   | 3296-51     | 2    | Nut-Lock, NI          |
| 1:5   | 109-9124    | 1    | Wheel And Tire ASM  | 16   | 103-4882    | 2    | Cap-Grease            |
| 1:5:1 | 1-633584    | 1    | Bearing-Cup         | 17   | 105-1647    | 1    | Pin-Hitch, Cotterless |
| 2     | 3296-23     | 2    | Nut-Lock, NI        | 18   | 100-9385    | 1    | Lanyard-Nylon         |
| 3     | 107-1874    | 1    | Leg ASM             | 19   | 3296-42     | 1    | Nut-Lock, NI          |
| 3:2   | 106-7464    | 1    | Decal-Z Stand       | 20   | 100-6547    | 2    | Cushion-Rubber        |
| 4     | 3290-355    | 1    | Pin-Hair            | 21   | 108-4136-01 | 1    | Bracket-Cradle        |
| 5     | 100-9692-01 | 1    | Pivot Pin ASM       | 22   | 323-20      | 1    | Screw-HH              |
| 6     | 3-6781      | 2    | Washer-Thrust       | 23   | 321-4       | 1    | Screw-HH              |
| 7     | 283-55      | 1    | Pin-Clevis          | 24   | 1-543511    | 2    | Seal-Grease           |
| 8     | 323-8       | 1    | Screw-HH            | 25   | 103-1474-01 | 2    | Caster-Fork           |
| 9     | 100-9686-01 | 1    | Bracket-Latch       | 26   | 325-39      | 2    | Screw-HH              |
| 10    | 3296-39     | 2    | Nut-Lock, NI        | 28   | 103-2768    | 2    | Guard-Seal            |



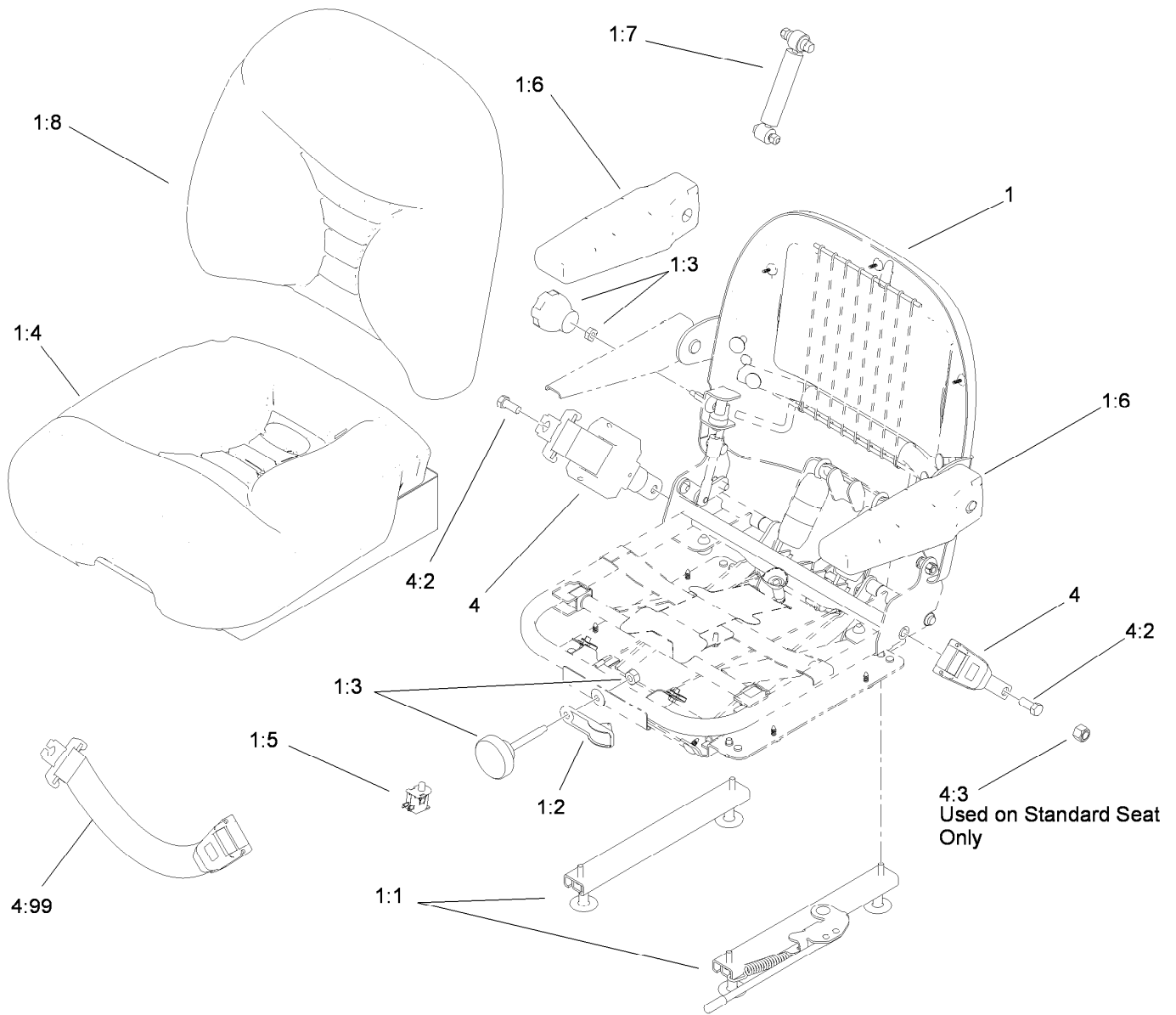
## Engine Frame, Console and Floor Pan Assembly

| <i>Ref.</i> | <i>Part Number</i> | <i>Qty.</i> | <i>Description</i>   | <i>Ref.</i> | <i>Part Number</i> | <i>Qty.</i> | <i>Description</i>      |
|-------------|--------------------|-------------|----------------------|-------------|--------------------|-------------|-------------------------|
| 1           | 322-43             | 6           | Screw-HH             | 12          | 323-6              | 2           | Screw-HH                |
| 2           | 3256-70            | 4           | Washer-Flat          | 13          | 115-3852           | 1           | Floor Pan ASM           |
| 3           | 3296-42            | 4           | Nut-Lock, NI         | 13:2        | 98-4387            | 1           | Decal-Protection, Ear   |
| 6           | 115-3551           | 1           | Engine Frame ASM     | 13:3        | 107-1864           | 1           | Decal-Location, Manual  |
| 6:2         | 106-9989           | 1           | Decal-Warning        | 13:4        | 114-5879           | 1           | Decal-Diesel, Bio-Ready |
| 6:3         | 106-7492           | 1           | Decal-Danger         | 14          | 3258-166           | 2           | Screw-PRH               |
| 6:4         | 107-9866           | 1           | Decal-Console, Top   | 15          | 106-7488-03        | 1           | Hinge-Floorpan, LH      |
| 6:5         | 98-5954            | 2           | Decal-Cover, Missing | 16          | 3296-59            | 2           | Nut-Lock, NI            |
| 7           | 107-1865           | 2           | R-Clamp              | 17          | 104-7048           | 1           | Cap-Housing             |
| 8           | 104-7050           | 1           | Tube-Manual          | 18          | 321-4              | 2           | Screw-HH                |
| 9           | 3296-39            | 2           | Nut-Lock, NI         | 19          | 106-7489-03        | 1           | Hinge-Floorpan, RH      |
| 10          | 1-633964-03        | 1           | Stop-Brake, Park     | 20          | 106-7498           | 1           | Pocket                  |
| 11          | 323-20             | 2           | Screw-HH             |             |                    |             |                         |



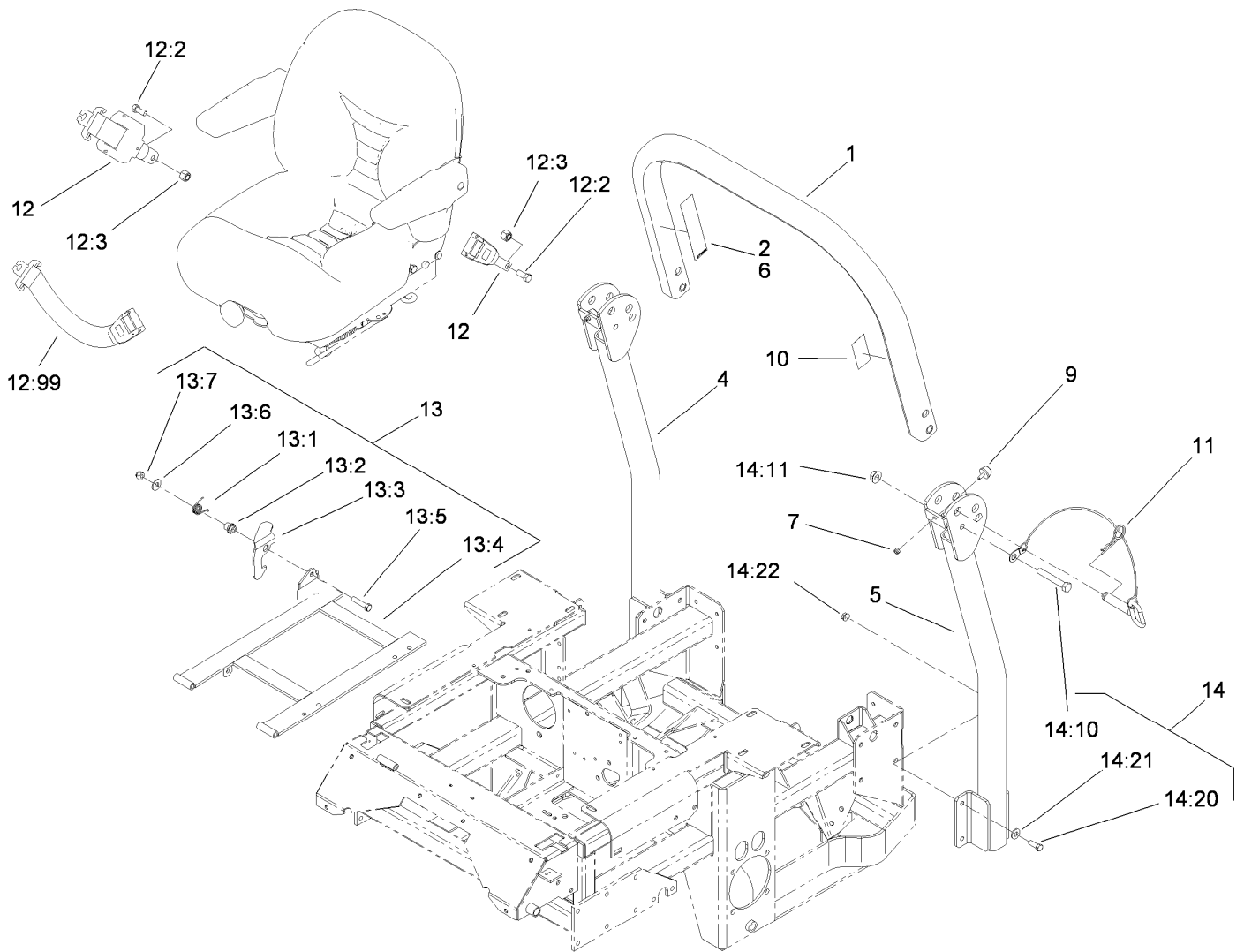
## Seat and Roll-Over Protection System Assembly

| <i>Ref.</i> | <i>Part Number</i> | <i>Qty.</i> | <i>Description</i> |
|-------------|--------------------|-------------|--------------------|
| 1           | 323-39             | 2           | Screw-HH           |
| 2           | 3296-29            | 4           | Nut-Lock, NI       |
| 3           | 322-5              | 5           | Screw-HH           |
| 4           | 109-2759           | 2           | Link-Stop, Seat    |
| 6           | 103-5161           | 2           | Link-Stop, Seat    |
| 7           | 3296-39            | 2           | Nut-Lock, NI       |
| 8           | 1-633872-03        | 2           | Stop-Seat          |
| 13          | 110-0838           | 1           | Deluxe Seat ASM    |
| 15          | 32128-20           | 4           | Nut-HF             |
| 28          | 106-7437           | 1           | ROPS ASM           |



## Deluxe Seat Assembly No. 110-0838

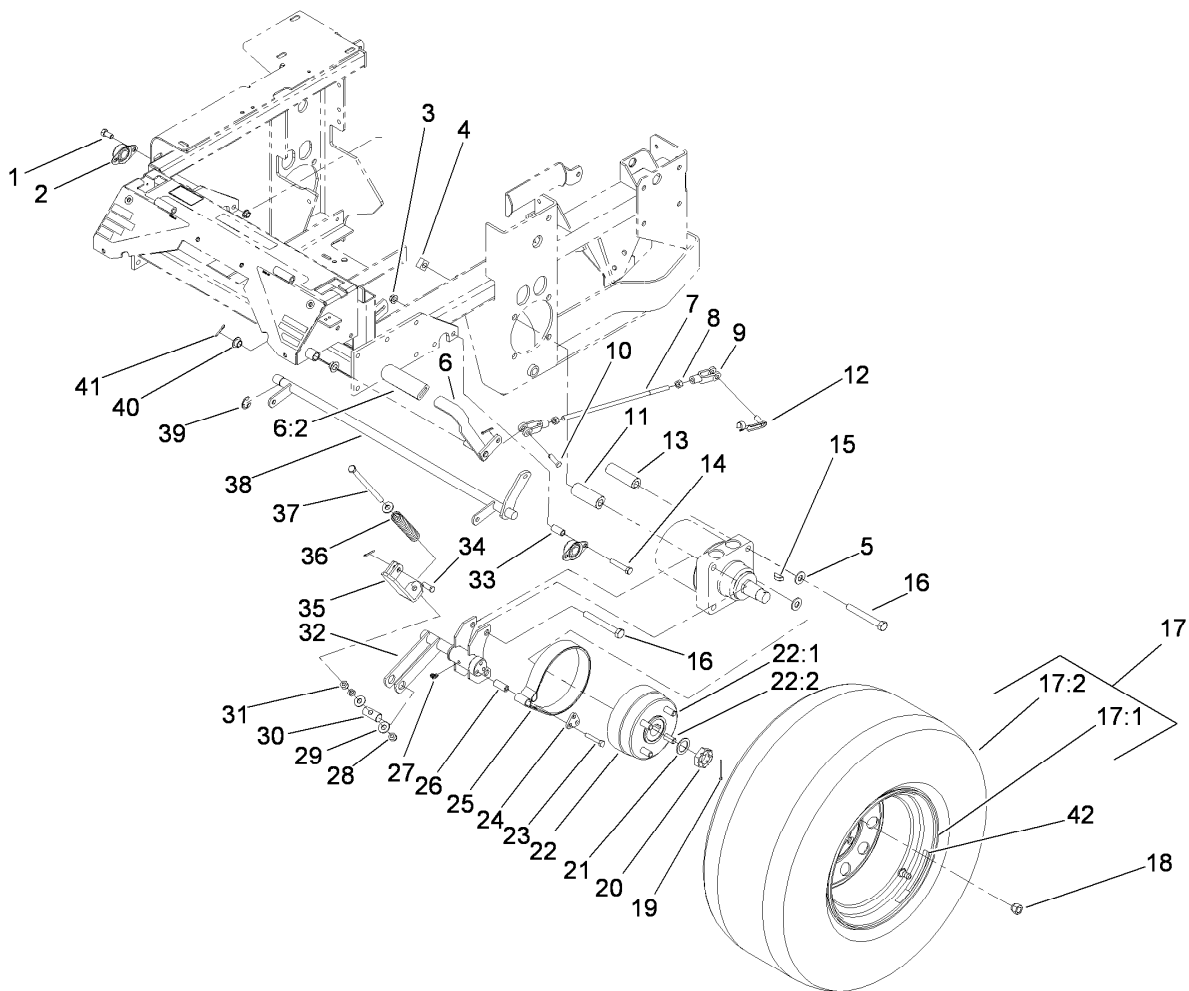
| Ref. | Part Number | Qty. | Description              |
|------|-------------|------|--------------------------|
| 1    | 112-8355    | 1    | Seat-Suspension          |
| 1:1  | 107-1880    | 1    | Seat Track Kit           |
| 1:2  | 107-1885    | 1    | Weight Indicator Kit     |
| 1:3  | 107-1881    | 1    | Knob Kit                 |
| 1:4  | 107-1883    | 1    | Bottom Cushion Kit       |
| 1:5  | 82-2190     | 1    | Switch-Bail              |
| 1:6  | 107-1887    | 1    | Armrest Kit              |
| 1:7  | 107-1884    | 1    | Shock Absorber Kit       |
| 1:8  | 112-8356    | 1    | Cushion-Back             |
| 4    | 110-0883    | 1    | Retractable Seatbelt Kit |
| 4:2  | 3212-4      | 2    | Screw-HH                 |
| 4:3  | 3296-7      | 2    | Nut-Lock                 |
| 4:99 | 109-6226    | 1    | Seat Belt Extension Kit  |



## Roll-Over Protection System Assembly No. 106-7437

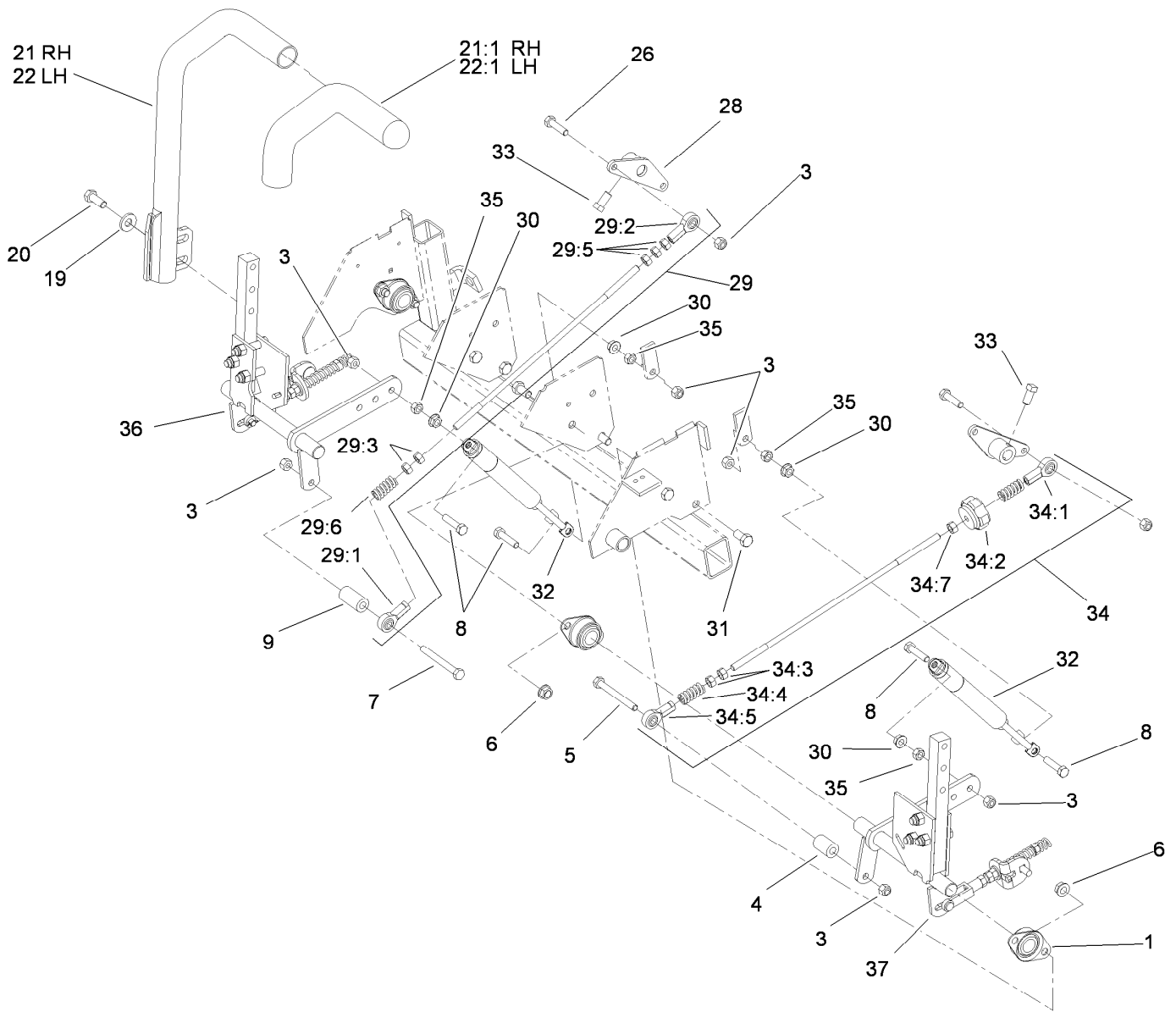
| Ref.  | Part Number | Qty. | Description                 | Ref.  | Part Number | Qty. | Description                 |
|-------|-------------|------|-----------------------------|-------|-------------|------|-----------------------------|
| 1     |             | 1    | Upper Tube ASM ●            | 13    | 109-1813    | 1    | Seat Frame Single Latch ASM |
| 2     | 107-2102    | 1    | Decal-Warning, Folding ROPS | 13:1  | 103-5520    | 1    | Catch-Latch, Single         |
| 4     |             | 1    | Tube-Support, RH ●          | 13:2  | 103-5519    | 1    | Spring-Torsion, Latch       |
| 5     |             | 1    | Tube-Support, LH ●          | 13:3  | 107-0075    | 1    | Bushing-Latch, Seat         |
| 6     | 107-3069    | 1    | Decal-Warning, Folding ROPS | 13:4  | 109-9222-03 | 1    | Frame-Seat                  |
| 7     | 3296-73     | 2    | Nut-Lock, NI                | 13:5  | 3256-4      | 1    | Washer-Flat                 |
| 9     | 109-2365    | 2    | Rubber Bumper ASM (W/Stud)  | 13:6  | 3296-39     | 1    | Nut-Lock, NI                |
| 10    | 107-2101    | 1    | Decal-ROPS                  | 13:7  | 323-9       | 1    | Screw-HH                    |
| 11    | 103-4553    | 2    | ROPS Fold Pin ASM           | 14    |             | 1    | Bag-Bolt ●                  |
| 12    | 110-0883    | 1    | Retractable Seatbelt Kit    | 14:10 | 325-13      | 2    | Screw-HH                    |
| 12:2  | 3212-4      | 2    | Screw-HH                    | 14:11 | 32128-23    | 2    | Nut-HF                      |
| 12:3  | 3296-7      | 2    | Nut-Lock                    | 14:20 | 323-8       | 8    | Screw-HH                    |
| 12:99 | 109-6226    | 1    | Seat Belt Extension Kit     | 14:21 | 98-5975     | 8    | Washer-Belleville           |
|       |             |      |                             | 14:22 | 3290-357    | 8    | Nut-HHF, Whiz               |

● Not serviced separately



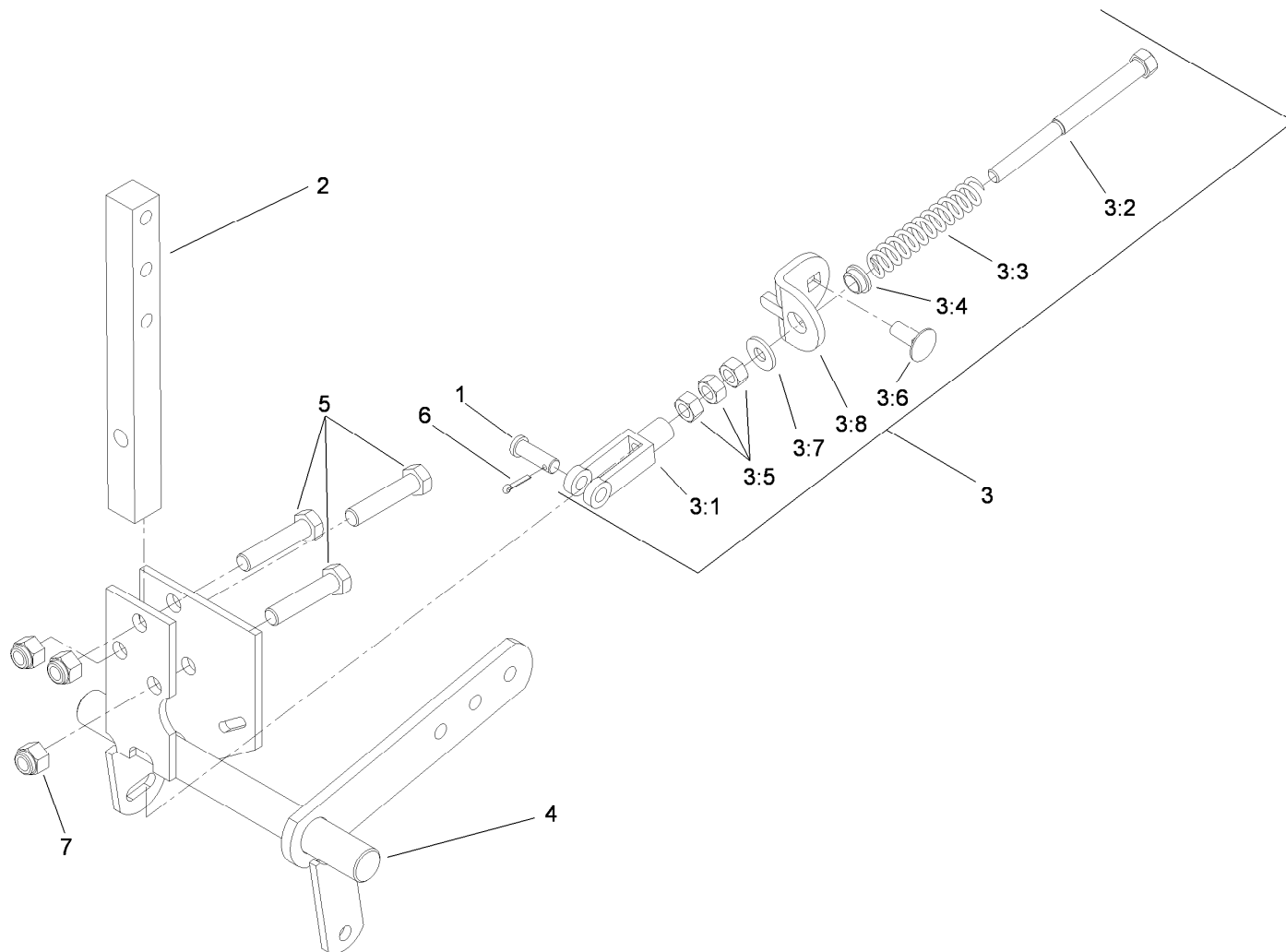
## Wheel and Brake Assembly

| Ref. | Part Number | Qty. | Description              | Ref. | Part Number | Qty. | Description            |
|------|-------------|------|--------------------------|------|-------------|------|------------------------|
| 1    | 323-4       | 2    | Screw-HH                 | 22   | 103-0590    | 2    | Hub And Wheel ASM      |
| 2    | 1-633102    | 2    | Bearing-Flange, Side     | 22:1 | 103-0589    | 1    | Wheel Hub ASM          |
| 3    | 3290-357    | 4    | Nut-HHF, Whiz            | 22:2 | 1-633926    | 4    | Stud-Wheel             |
| 4    | 109-5618    | 8    | Nut-Square, Special      | 23   | 322-9       | 6    | Screw-HH               |
| 5    | 87-7270     | 4    | Washer-Thrust            | 24   | 103-0374    | 2    | Retainer-Band, Brake   |
| 6    | 103-0197    | 1    | Brake Lever And Grip ASM | 25   | 103-0355    | 2    | Band-Brake             |
| 6:2  | 1-633268    | 1    | Grip-Lever               | 26   | 103-0384    | 6    | Spacer                 |
| 7    | 103-1708    | 1    | Rod-Brake                | 27   | 302-19      | 2    | Fitting-Grease         |
| 8    | 3219-3      | 2    | Nut-Hex                  | 28   | 3296-39     | 4    | Nut-Lock, NI           |
| 9    | 1-633131    | 2    | Yoke-Linkage, Brake      | 29   | 3256-4      | 6    | Washer-Flat            |
| 10   | 1-808285    | 1    | Pin-Clevis               | 30   | 1-633144    | 2    | Pin-Trunion            |
| 11   | 109-5011    | 4    | Spacer-Wheel, Short      | 31   | 3218-3      | 2    | Nut-Jam                |
| 12   | 103-2399    | 1    | Pin-Spring, Clevis       | 32   | 103-0810-03 | 2    | Brake-Wide             |
| 13   | 109-5012    | 4    | Spacer-Wheel, Long       | 33   | 103-0051    | 2    | Spacer-Retainer, Brake |
| 14   | 323-10      | 2    | Screw-HH                 | 34   | 1-808284    | 2    | Pin-Clevis             |
| 15   | 3257-42     | 2    | Key-Woodruff             | 35   | 103-1117-03 | 2    | Linkage-Brake, Lower   |
| 16   | 325-20      | 8    | Screw-HH                 | 36   | 1-633454    | 2    | Spring-Brake           |
| 17   | 109-3157    | 2    | Wheel And Tire ASM       | 37   | 323-58      | 2    | Bolt-TAP, HH           |
| 17:1 | 109-3156    | 1    | Rim ASM                  | 38   | 103-5243-03 | 1    | Shaft-Brake            |
| 17:2 | 103-4963    | 1    | Tire                     | 39   | 32151-48    | 1    | E-Ring                 |
| 18   | 242-50      | 8    | Nut-Lug                  | 40   | 1-513140    | 2    | Bearing-Control        |
| 19   | 1-806800    | 2    | Pin-Cotter               | 41   | 3272-10     | 4    | Pin-Cotter             |
| 20   | 1-809036    | 2    | Nut-HH                   | 42   | 109-7949    | 2    | Decal                  |
| 21   | 1-523157    | 2    | Washer-Spacer            |      |             |      |                        |



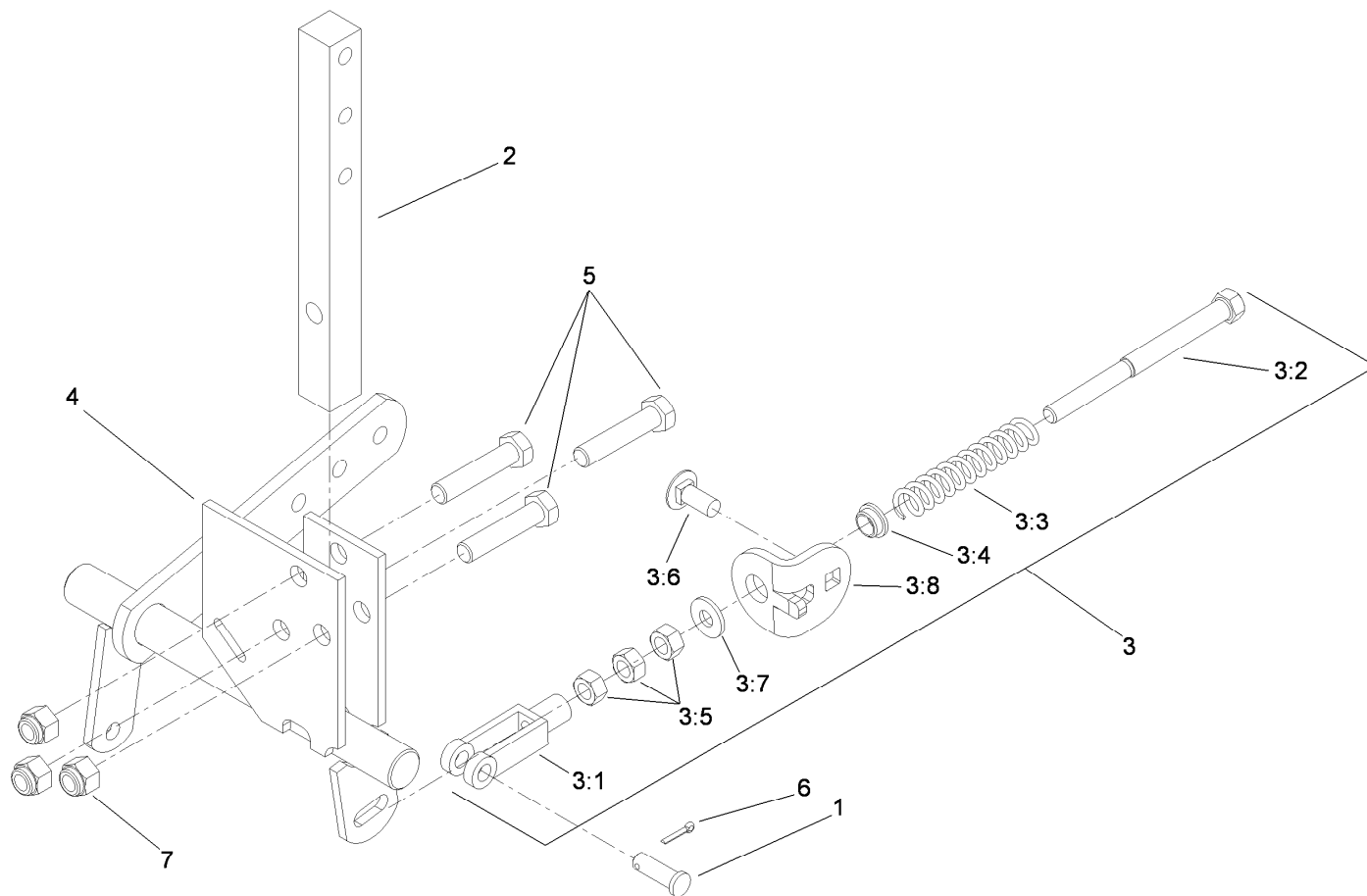
## Motion Control Assembly

| Ref. | Part Number | Qty. | Description              | Ref. | Part Number | Qty. | Description            |
|------|-------------|------|--------------------------|------|-------------|------|------------------------|
| 1    | 1-633102    | 4    | Bearing-Flange, Side     | 29:2 | 1-633152    | 1    | Balljoint-LH           |
| 3    | 3296-29     | 8    | Nut-Lock, NI             | 29:3 | 1-804524    | 2    | Nut                    |
| 4    | 103-1361    | 1    | Spacer-Hydro Control, LH | 29:5 | 3219-2      | 3    | Nut-Hex                |
| 5    | 322-12      | 1    | Screw-HH                 | 29:6 | 1-323245    | 1    | Spring-Compression     |
| 6    | 3290-357    | 8    | Nut-HHF, Whiz            | 30   | 32128-20    | 6    | Nut-HF                 |
| 7    | 322-14      | 1    | Screw-HH                 | 31   | 323-4       | 8    | Screw-HH               |
| 8    | 1-403180    | 4    | Screw-HH                 | 32   | 109-2339    | 2    | Damper-Control, Motion |
| 9    | 103-5192    | 1    | Spacer-Control, HYD      | 33   | 1-803022    | 2    | Screw-Set              |
| 19   | 98-5975     | 4    | Washer-Belleville        | 34   | 103-3062    | 1    | Tracking Rod ASM       |
| 20   | 323-6       | 4    | Screw-HH                 | 34:1 | 1-543017    | 1    | Balljoint-RH           |
| 21   | 108-7237    | 1    | RH Lever ASM             | 34:2 | 103-3060    | 1    | Knob-Tracking          |
| 21:1 | 106-9987    | 1    | Grip-Control, Motion     | 34:3 | 1-804524    | 2    | Nut                    |
| 22   | 108-7238    | 1    | LH Lever ASM             | 34:4 | 1-323245    | 2    | Spring-Compression     |
| 22:1 | 106-9987    | 1    | Grip-Control, Motion     | 34:5 | 1-633152    | 1    | Balljoint-LH           |
| 26   | 322-6       | 4    | Screw-HH                 | 34:7 | 3219-2      | 1    | Nut-Hex                |
| 28   | 103-0194-03 | 2    | Arm-Control, Hydro       | 35   | 3217-6      | 4    | Nut-Hex                |
| 29   | 103-5190    | 1    | RH HYD Connect Link ASM  | 36   | 109-3978    | 1    | RH Motion Control ASM  |
| 29:1 | 1-543017    | 1    | Balljoint-RH             | 37   | 109-3979    | 1    | LH Motion Control ASM  |



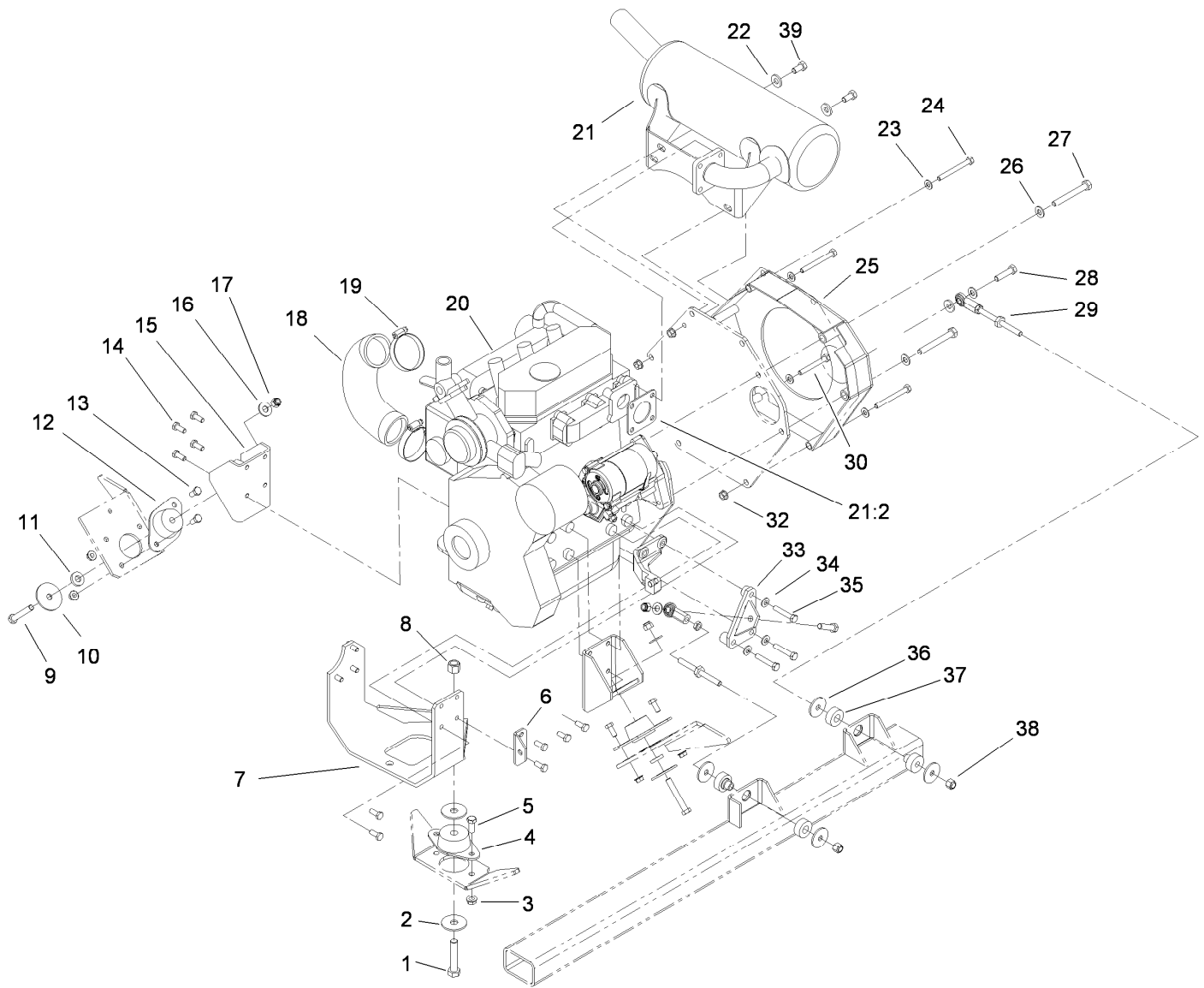
## RH Motion Control Assembly No. 109-3978

| <i>Ref.</i> | <i>Part Number</i> | <i>Qty.</i> | <i>Description</i>     |
|-------------|--------------------|-------------|------------------------|
| 1           | 1-808280           | 1           | Pin-Clevis             |
| 2           | 103-0407           | 1           | Arm-Shaft, Control     |
| 3           | 109-3903           | 1           | Neutral Return ASM     |
| 3:1         | 1-303105           | 1           | Yoke-Adjustable        |
| 3:2         | 1-603737           | 1           | Bolt-Return, Neutral   |
| 3:3         | 1-603807           | 1           | Spring-Return, Neutral |
| 3:4         | 109-3769           | 1           | Bushing-Nylon, Flanged |
| 3:5         | 3219-2             | 3           | Nut-Hex                |
| 3:6         | 3230-23            | 1           | Screw-CARR             |
| 3:7         | 3256-2             | 1           | Washer-Flat            |
| 3:8         | 109-3908           | 1           | Tab-Adjustment         |
| 4           | 109-3980           | 1           | Control-Motion, RH     |
| 5           | 323-9              | 3           | Screw-HH               |
| 6           | 3272-5             | 1           | Pin-Cotter             |
| 7           | 3296-39            | 3           | Nut-Lock, NI           |



## LH Motion Control Assembly No. 109-3979

| <i>Ref.</i> | <i>Part Number</i> | <i>Qty.</i> | <i>Description</i>     |
|-------------|--------------------|-------------|------------------------|
| 1           | 1-808280           | 1           | Pin-Clevis             |
| 2           | 103-0407           | 1           | Arm-Shaft, Control     |
| 3           | 109-3903           | 1           | Neutral Return ASM     |
| 3:1         | 1-303105           | 1           | Yoke-Adjustable        |
| 3:2         | 1-603737           | 1           | Bolt-Return, Neutral   |
| 3:3         | 1-603807           | 1           | Spring-Return, Neutral |
| 3:4         | 109-3769           | 1           | Bushing-Nylon, Flanged |
| 3:5         | 3219-2             | 3           | Nut-Hex                |
| 3:6         | 3230-23            | 1           | Screw-CARR             |
| 3:7         | 3256-2             | 1           | Washer-Flat            |
| 3:8         | 109-3908           | 1           | Tab-Adjustment         |
| 4           | 109-3983           | 1           | Control-Motion, LH     |
| 5           | 323-9              | 3           | Screw-HH               |
| 6           | 3272-5             | 1           | Pin-Cotter             |
| 7           | 3296-39            | 3           | Nut-Lock, NI           |



## Engine Mount Assembly

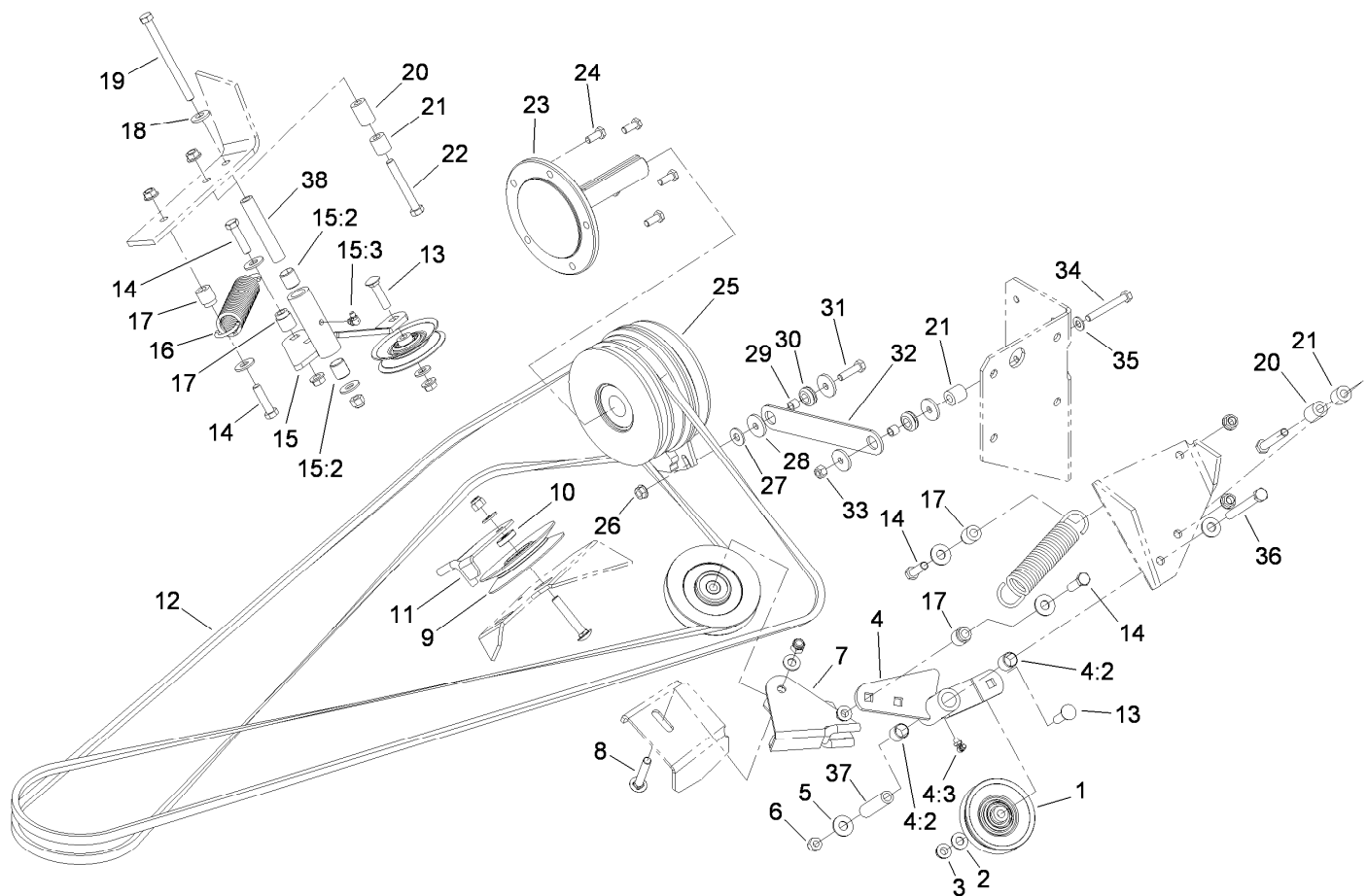
| Ref. | Part Number | Qty. | Description                | Ref. | Part Number | Qty. | Description           |
|------|-------------|------|----------------------------|------|-------------|------|-----------------------|
| 1    | 325-10      | 1    | Screw-HH                   | 20   | 103-0888    | 1    | Engine-Daihatsu       |
| 2    | 86-1990     | 2    | Washer                     | 21   | 103-2592    | 1    | Muffler Kit           |
| 3    | 3290-357    | 2    | Nut-HHF, Whiz              | 21:2 | 103-1385    | 1    | Gasket-Muffler        |
| 4    | 103-1022    | 1    | Isolator-Rear              | 22   | 98-5975     | 3    | Washer-Belleville     |
| 5    | 323-5       | 2    | Screw-HH                   | 23   | 3256-23     | 4    | Washer-Flat           |
| 6    | 103-3908    | 1    | Bracket-Ground             | 24   | 322-14      | 3    | Screw-HH              |
| 7    | 103-0870-03 | 1    | Rear Engine Mount ASM      | 25   | 103-3573-03 | 1    | Cover-Flywheel        |
| 8    | 3296-23     | 1    | Nut-Lock, NI               | 26   | 3256-24     | 4    | Washer-Flat           |
| 9    | 323-12      | 2    | Screw-HH                   | 27   | 56-2150     | 2    | Screw-HH              |
| 10   | 83-1040     | 2    | Washer-Flat                | 28   | 323-8       | 2    | Screw-HH              |
| 11   | 66-6480     | 2    | Washer                     | 29   | 103-3745    | 2    | Ball Joint Link ASM   |
| 12   | 103-2613    | 2    | Isolator-Side              | 30   | 322-12      | 1    | Screw-HH              |
| 13   | 322-3       | 4    | Screw-HH                   | 32   | 32128-20    | 7    | Nut-HF                |
| 14   | 33114-020   | 15   | Screw-HH                   | 33   | 103-3556-03 | 1    | Bracket-Engine, Front |
| 15   | 103-0839-03 | 2    | LH And RH Engine Mount ASM | 34   | 1-303334    | 3    | Washer-Spring         |
| 16   | 3256-4      | 2    | Washer-Flat                | 35   | 33114-045   | 3    | Screw-HH              |
| 17   | 3296-39     | 3    | Nut-Lock, NI               | 36   | 93-6099     | 4    | Washer                |
| 18   | 103-0921    | 1    | Hose                       | 37   | 103-3568    | 2    | Isolator-Link         |
| 19   | 2412-42     | 2    | Clamp-Hose                 | 38   | 3296-6      | 2    | Nut-Lock              |
|      |             |      |                            | 39   | 63-7790     | 2    | Screw-Cap             |



## Wheel Pump Drive Assembly

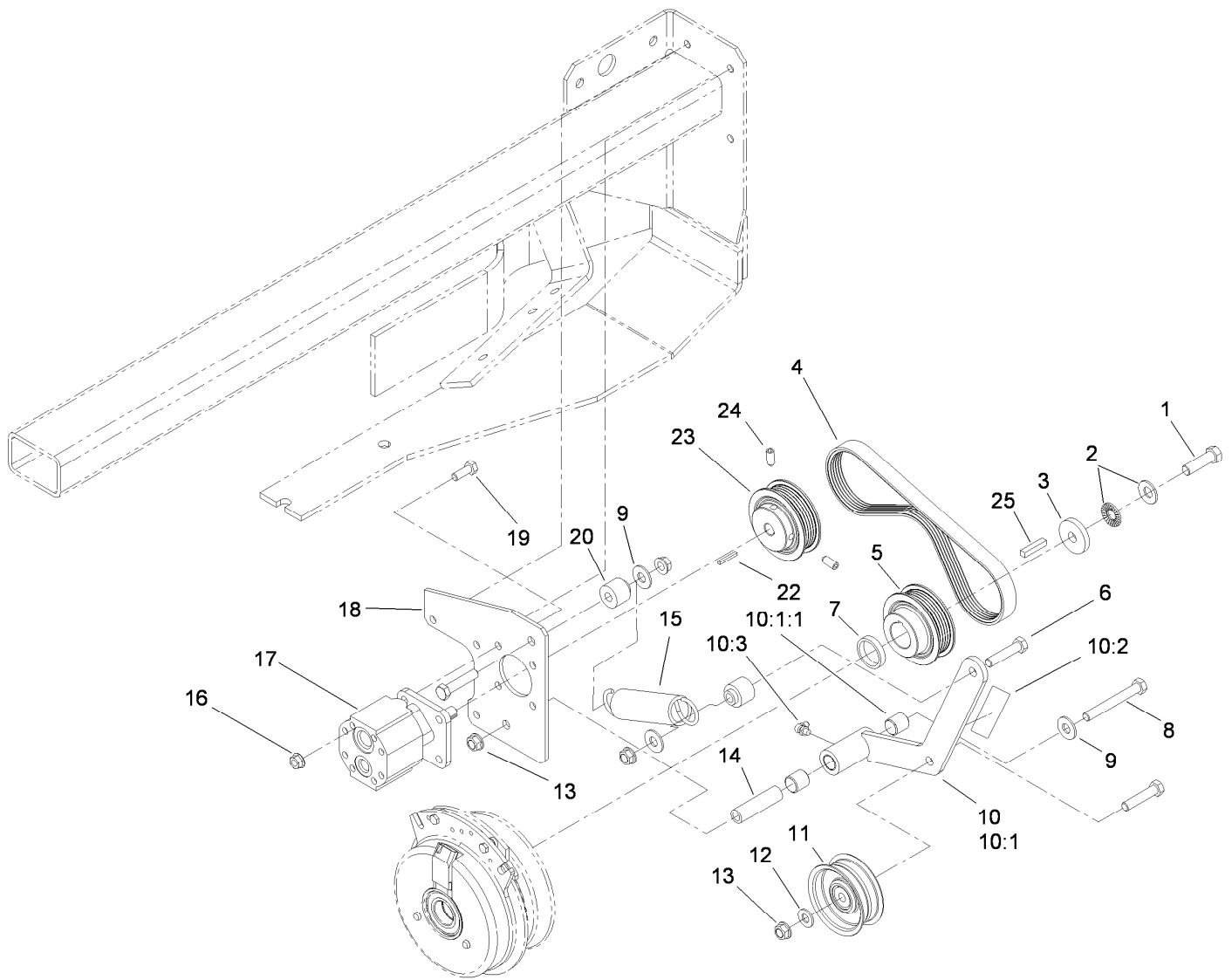
| Ref. | Part Number | Qty. | Description              | Ref. | Part Number | Qty. | Description          |
|------|-------------|------|--------------------------|------|-------------|------|----------------------|
| 1    | 103-2739    | 2    | Key                      | 15   | 107-7724    | 1    | Belt-V               |
| 2    | 103-2978    | 1    | Pump-Hydro, LH           | 16   | 1-805005    | 6    | Washer-Lock          |
| 2:1  | 100-6110    | 1    | Overhaul Seal Kit ●      | 17   | 322-2       | 6    | Screw-HH             |
| 3    | 32128-49    | 4    | Nut-HHF                  | 18   | 33114-020   | 4    | Screw-HH             |
| 4    | 103-4467    | 1    | Pump Idler ASM           | 19   | 3256-23     | 4    | Washer-Flat          |
| 4:2  | 1-513034    | 2    | Sleeve-Bearing           | 20   | 3256-24     | 1    | Washer-Flat          |
| 5    | 323-4       | 3    | Screw-HH                 | 21   | 3290-357    | 4    | Nut-HHF, Whiz        |
| 6    | 3296-39     | 1    | Nut-Lock, NI             | 22   | 103-1459    | 1    | Pin-Roll             |
| 7    | 3256-4      | 1    | Washer-Flat              | 23   | 103-1421    | 1    | Hub-Drive, Pump      |
| 8    | 103-0919    | 1    | Bushing-Tightener, Pivot | 24   | 103-1472    | 2    | Sheave-Pump          |
| 9    | 103-2979    | 1    | Pump-Hydro, RH           | 25   | 103-4464    | 1    | Idler-Pump           |
| 9:1  | 100-6110    | 1    | Overhaul Seal Kit ●      | 26   | 103-5164    | 1    | Sheave-Engine        |
| 10   | 323-12      | 1    | Screw-HH                 | 27   | 98-5975     | 2    | Washer-Belleville    |
| 11   | 1-603413    | 1    | Spring-Extension         | 28   | 323-6       | 1    | Screw-HH             |
| 12   | 325-5       | 4    | Screw-HH                 | 29   | 323-16      | 1    | Screw-HH             |
| 13   | 1-803050    | 4    | Screw-Set                | 30   | 103-4463-03 | 1    | Arm-Tightener, Pump  |
| 14   | 103-1471    | 2    | Hub-Pump                 | 31   | 302-11      | 1    | Fitting-Lube, 45 DEG |

● Not illustrated



## Deck Belt Drive Assembly

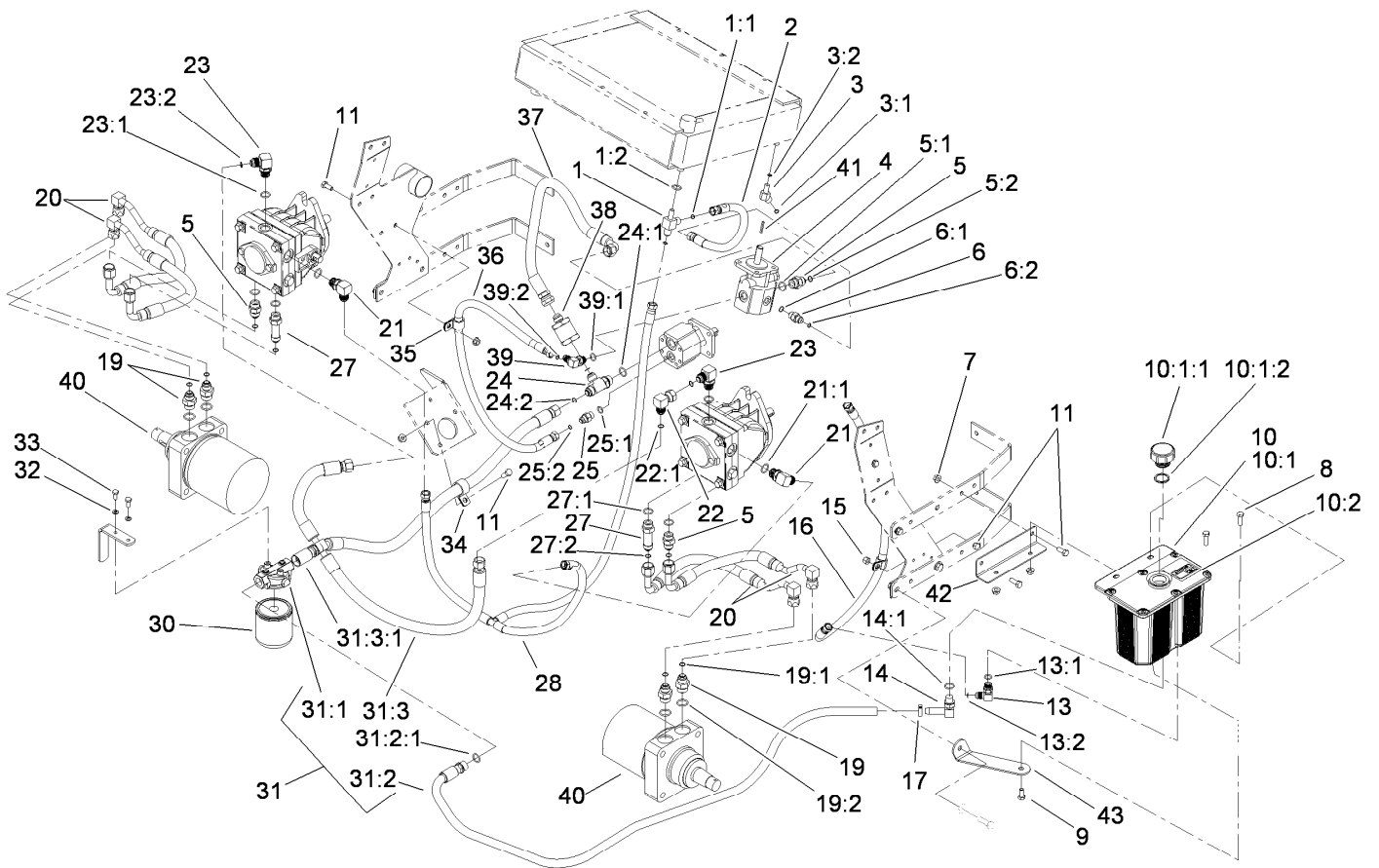
| <i>Ref.</i> | <i>Part Number</i> | <i>Qty.</i> | <i>Description</i>     | <i>Ref.</i> | <i>Part Number</i> | <i>Qty.</i> | <i>Description</i>       |
|-------------|--------------------|-------------|------------------------|-------------|--------------------|-------------|--------------------------|
| 1           | 103-0983           | 2           | Sheave                 | 18          | 98-5975            | 2           | Washer-Belleville        |
| 2           | 3256-24            | 4           | Washer-Flat            | 19          | 323-23             | 1           | Screw-HH                 |
| 3           | 3290-357           | 7           | Nut-HHF, Whiz          | 20          | 103-1361           | 2           | Spacer-Hydro Control, LH |
| 4           | 107-9851           | 1           | LH Idler ASM           | 21          | 103-0193           | 3           | Spacer-Strap, Clutch     |
| 4:2         | 1-513034           | 2           | Sleeve-Bearing         | 22          | 323-13             | 2           | Screw-HH                 |
| 4:3         | 302-40             | 1           | Fitting-Grease         | 23          | 103-0286           | 1           | Shaft-Stub               |
| 5           | 3256-4             | 6           | Washer-Flat            | 24          | 33114-020          | 5           | Screw-HH                 |
| 6           | 3296-39            | 4           | Nut-Lock, NI           | 25          | 109-6627           | 1           | Clutch Kit               |
| 7           | 103-4011-03        | 1           | Guard-Belt Sheave, LH  | 26          | 32128-20           | 1           | Nut-HF                   |
| 8           | 3231-40            | 2           | Bolt-CARR              | 27          | 3256-3             | 1           | Washer-Flat              |
| 9           | 103-0984           | 2           | Sheave                 | 28          | 1-613235           | 4           | Washer                   |
| 10          | 103-3186           | 1           | Spacer-Bracket, Guide  | 29          | 1-633545           | 2           | Spacer                   |
| 11          | 103-4039-03        | 1           | Guard-Belt Sheave, RH  | 30          | 1-633630           | 2           | Grommet                  |
| 12          | 107-7738           | 2           | Belt-V                 | 31          | 322-6              | 1           | Screw-HH                 |
| 13          | 3231-4             | 2           | Screw-CARR             | 32          | 103-0192-03        | 1           | Strap-Clutch / Brake     |
| 14          | 323-9              | 4           | Screw-HH               | 33          | 3296-29            | 1           | Nut-Lock, NI             |
| 15          | 107-9861           | 1           | RH Idler ASM           | 34          | 322-12             | 1           | Screw-HH                 |
| 15:2        | 1-513034           | 2           | Sleeve-Bearing         | 35          | 3256-23            | 1           | Washer-Flat              |
| 15:3        | 302-40             | 1           | Fitting-Grease         | 36          | 323-16             | 1           | Screw-HH                 |
| 16          | 103-1767           | 2           | Spring-Extension       | 37          | 103-0919           | 1           | Bushing-Tightener, Pivot |
| 17          | 103-1503           | 4           | Spacer-Tightener, Belt | 38          | 103-0040           | 1           | Bushing-Tightener, Pivot |



## Cooling Pump Drive Assembly

| Ref.   | Part Number | Qty. | Description            | Ref. | Part Number | Qty. | Description             |
|--------|-------------|------|------------------------|------|-------------|------|-------------------------|
| 1      | 3212-6      | 1    | Screw-HH               | 11   | 1-633167    | 1    | Sheave-Idler            |
| 2      | 1-603610    | 2    | Washer-Spring          | 12   | 3256-24     | 1    | Washer-Flat             |
| 3      | 1-543610    | 1    | Washer-Clutch          | 13   | 3290-357    | 4    | Nut-HHF, Whiz           |
| 4      | 107-7739    | 1    | Belt-Poly V            | 14   | 1-603384    | 1    | Bushing-Pivot, Idler    |
| 5      | 103-1339    | 1    | Sheave-5 Rib           | 15   | 1-603414    | 1    | Spring-Extension        |
| 6      | 323-9       | 3    | Screw-HH               | 16   | 3296-29     | 4    | Nut-Lock, NI            |
| 7      | 103-1422    | 1    | Spacer-Pump Drive, Fan | 17   | 103-7431    | 1    | Pump-Fan, Cooling       |
| 8      | 323-14      | 1    | Screw-HH               | 18   | 103-1299-03 | 1    | Plate-Mating, Fan Pump  |
| 9      | 3256-4      | 3    | Washer-Flat            | 19   | 322-4       | 4    | Screw-HH                |
| 10     | 107-9879    | 1    | Wheel Pump Tension ASM | 20   | 103-1575    | 2    | Spacer-Spring, Fan Pump |
| 10:1   |             | 1    | Tensioner ASM ●        | 22   | 32150-1     | 1    | Key-Square              |
| 10:1:1 | 1-513034    | 2    | Sleeve-Bearing         | 23   | 103-1338    | 1    | Sheave-5 Rib            |
| 10:2   | 98-5954     | 1    | Decal-Cover, Missing   | 24   | 3246-6      | 2    | Screw-Set, HSH          |
| 10:3   | 302-40      | 1    | Fitting-Grease         | 25   | 13-2840     | 1    | Key-Square              |

● Not serviced separately

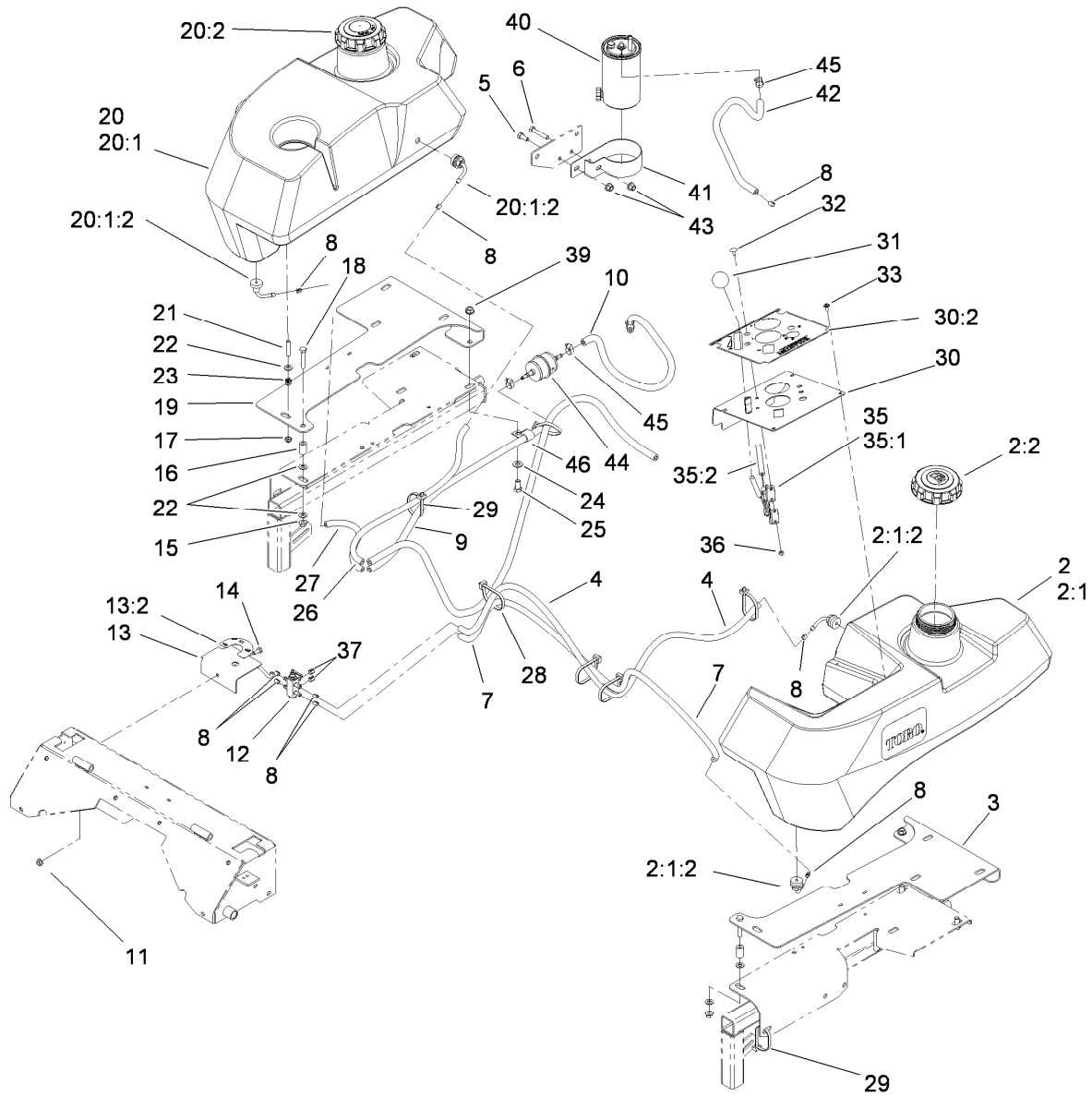


## Hydraulic System Assembly

| Ref. | Part Number | Qty. | Description               | Ref.   | Part Number | Qty. | Description           |
|------|-------------|------|---------------------------|--------|-------------|------|-----------------------|
| 1    | 108-5998    | 1    | Fitting-HYD, Straight Tee | 10:1:1 | 103-1948    | 1    | Cap-Reservoir, HYD    |
| 1:1  | 237-21      | 2    | O-Ring                    | 10:1:2 | 103-1949    | 1    | Gasket-Cap            |
| 1:2  | 237-42      | 1    | O-Ring                    | 10:2   | 1-523552    | 1    | Decal-Tank, HYD       |
| 2    | 103-2173    | 1    | Fan Case Drain Hose ASM   | 11     | 322-4       | 5    | Screw-HH              |
| 3    | 108-5999    | 1    | Fitting-HYD, 45 Elbow     | 13     | 103-2155    | 1    | Fitting-90 DEG        |
| 3:1  | 237-21      | 1    | O-Ring                    | 13:1   | 1-603921    | 1    | O-Ring                |
| 3:2  | 237-42      | 1    | O-Ring                    | 13:2   | 103-1020    | 1    | O-Ring                |
| 4    | 103-7430    | 1    | Motor-Fan, Cooling        | 14     | 108-5316    | 1    | Fitting-Elbow, 90 DEG |
| 5    | 1-603990    | 3    | Fitting-Straight          | 14:1   | 237-79      | 1    | O-Ring                |
| 5:1  | 1-603920    | 1    | O-Ring                    | 15     | 3296-29     | 1    | Nut-Lock, NI          |
| 5:2  | 1-603992    | 1    | O-Ring                    | 16     | 103-2174    | 1    | Tank Return Hose ASM  |
| 6    | 103-2157    | 1    | Fitting-Straight          | 17     | 103-2104    | 1    | Clamp-Hose            |
| 6:1  | 1-603923    | 1    | O-Ring                    | 19     | 1-603991    | 4    | Fitting-Straight      |
| 6:2  | 103-1020    | 1    | O-Ring                    | 19:1   | 237-80      | 1    | O-Ring                |
| 7    | 32128-20    | 7    | Nut-HF                    | 19:2   | 1-603992    | 1    | O-Ring                |
| 8    | 322-5       | 4    | Screw-HH                  | 20     | 103-4679    | 4    | HYD Hose ASM          |
| 9    | 322-3       | 2    | Screw-HH                  | 21     | 103-1014    | 2    | Fitting-Elbow, 90 DEG |
| 10   | 109-0582    | 1    | Hydraulic Tank ASM        | 21:1   | 1-603920    | 1    | O-Ring                |
| 10:1 |             | 1    | Tank-Hydraulic ●          | 22     | 103-2315    | 1    | Fitting-90 DEG        |

● Not serviced separately

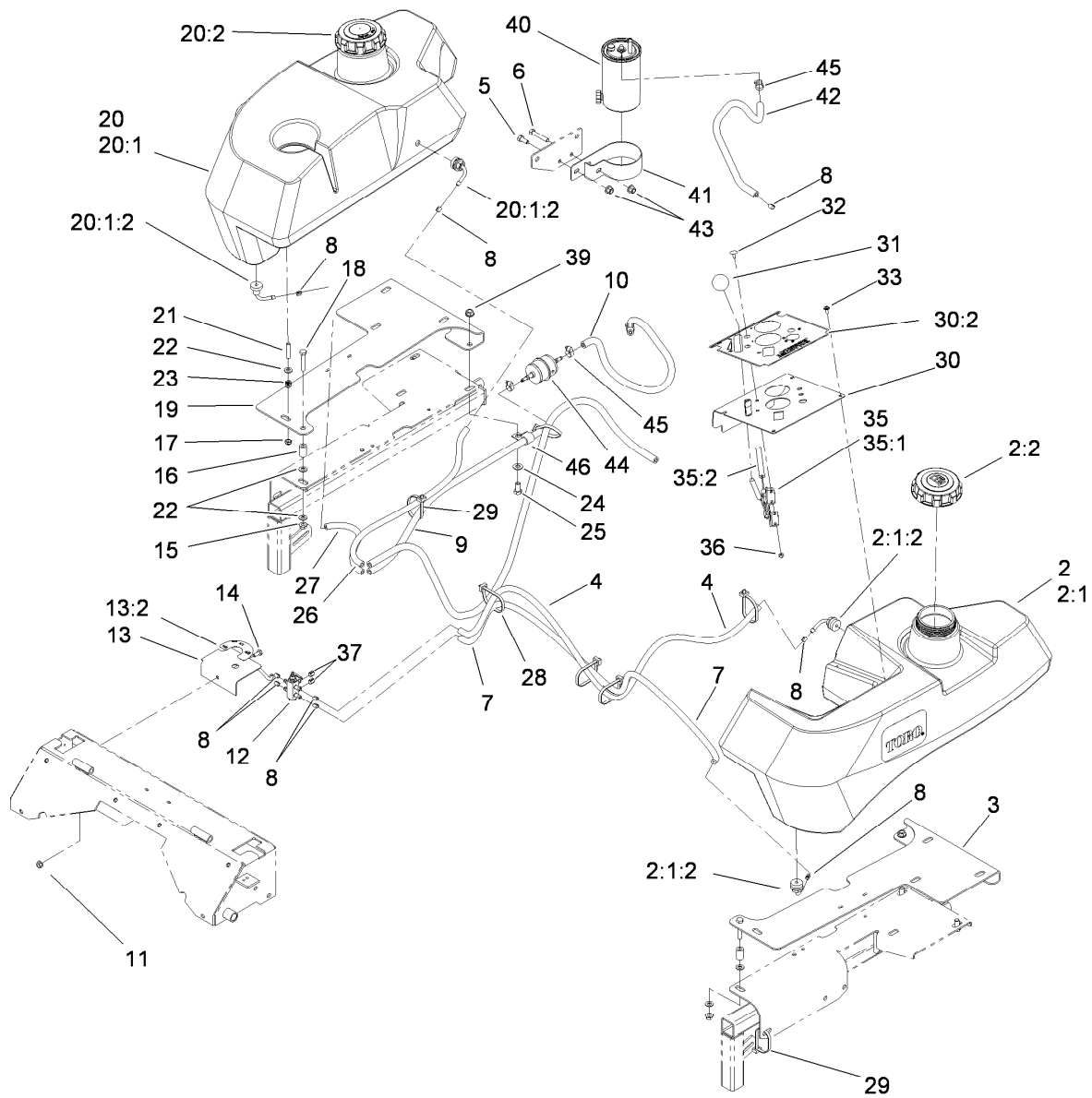




## Tank and Fuel Line Assembly

| Ref.  | Part Number | Qty. | Description            | Ref.   | Part Number | Qty. | Description            |
|-------|-------------|------|------------------------|--------|-------------|------|------------------------|
| 2     | 115-3556    | 1    | LH Fuel Tank Kit       | 17     | 3296-47     | 6    | Nut-Lock, NI           |
| 2:1   |             | 1    | Tank-Fuel, LH ●        | 18     | 322-9       | 2    | Screw-HH               |
| 2:1:2 | 103-2615    | 2    | Fitting-Fuel, Bulkhead | 19     | 107-7671-03 | 1    | Bracket-Fuel Tank, RH  |
| 2:2   | 114-8214    | 1    | Biodiesel Cap ASM      | 20     | 115-3555    | 1    | RH Fuel Tank Kit       |
| 3     | 107-7672-03 | 1    | Bracket-Fuel Tank, LH  | 20:1   |             | 1    | Tank-Fuel, RH ●        |
| 4     | 109-0273    | 1    | Hose-Fuel              | 20:1:2 | 103-2615    | 2    | Fitting-Fuel, Bulkhead |
| 5     | 322-3       | 1    | Screw-HH               | 20:2   | 114-8214    | 1    | Biodiesel Cap ASM      |
| 6     | 322-9       | 1    | Screw-HH               | 21     | 1-633023    | 6    | Stud                   |
| 7     | 109-0289    | 1    | Hose-Fuel              | 22     | 3256-23     | 10   | Washer-Flat            |
| 8     | 1-643293    | 6    | Clamp-Hose, Fuel       | 23     | 1-633349    | 6    | Spring-Tank, Fuel      |
| 9     | 114-8206    | 1    | Hose-Fuel              | 24     | 3256-24     | 4    | Washer-Flat            |
| 10    | 110-4113    | 1    | Hose-Fuel              | 25     | 323-4       | 4    | Screw-HH               |
| 11    | 32128-33    | 1    | Nut-HF                 | 26     | 110-5701    | 1    | Hose-Fuel              |
| 12    | 1-643234    | 1    | Valve-Fuel, Dual Flow  | 27     | 109-0294    | 1    | Hose-Fuel              |
| 13    | 107-9878    | 1    | Bracket-Valve, Fuel    | 28     | 110-4100    | 1    | Hose-Fuel              |
| 13:2  | 107-2114    | 1    | Decal-Valve, Fuel      | 29     | 1-303335    | 7    | Tie-Plastic            |
| 14    | 321-3       | 1    | Screw-HH               | 30     | 117-0918    | 1    | Control Panel ASM      |
| 15    | 3296-47     | 2    | Nut-Lock, NI           | 30:2   | 117-0916    | 1    | Decal-Panel, Control   |
| 16    | 94-7564     | 2    | Spacer                 | 31     | 1-603175    | 1    | Knob-Ball              |

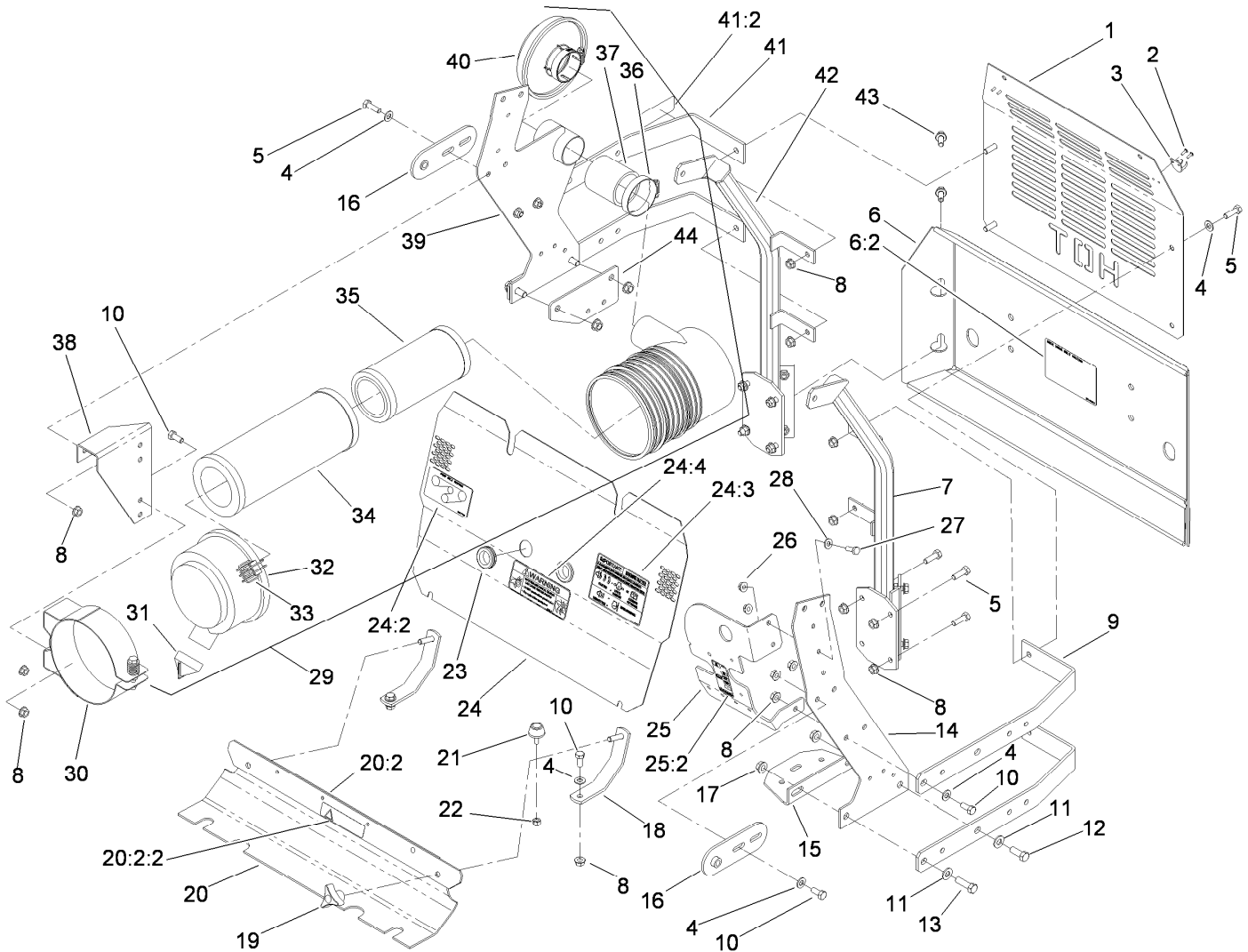
● Not serviced separately



## Tank and Fuel Line Assembly (continued)

| <i>Ref.</i> | <i>Part Number</i> | <i>Qty.</i> | <i>Description</i>         | <i>Ref.</i> | <i>Part Number</i> | <i>Qty.</i> | <i>Description</i>         |
|-------------|--------------------|-------------|----------------------------|-------------|--------------------|-------------|----------------------------|
| 32          | 1-807513           | 2           | Bolt-CARR                  | 40          | 112-9188           | 1           | Element-Filter, Fuel/Water |
| 33          | 109-2661           | 4           | Screw-PPH                  | 41          | 110-8807           | 1           | Bracket-Filter, Fuel       |
| 35          | 110-5729           | 1           | Throttle Control Cable ASM | 42          | 114-8207           | 1           | Hose-Fuel                  |
| 35:1        | 112-2334           | 1           | Lever-Throttle             | 43          | 3296-58            | 2           | Nut-Lock, NI               |
| 35:2        | 110-5730           | 1           | Cable-Throttle             | 44          | 112-7836           | 1           | Filter-Inline              |
| 36          | 3296-2             | 2           | Nut-Lock, NI               | 45          | 2412-108           | 7           | Clamp-Worm                 |
| 37          | 1-643277           | 3           | Clamp-Hose, Fuel           | 46          | 115-3559           | 1           | Clamp-J                    |
| 39          | 3290-357           | 4           | Nut-HHF, Whiz              |             |                    |             |                            |

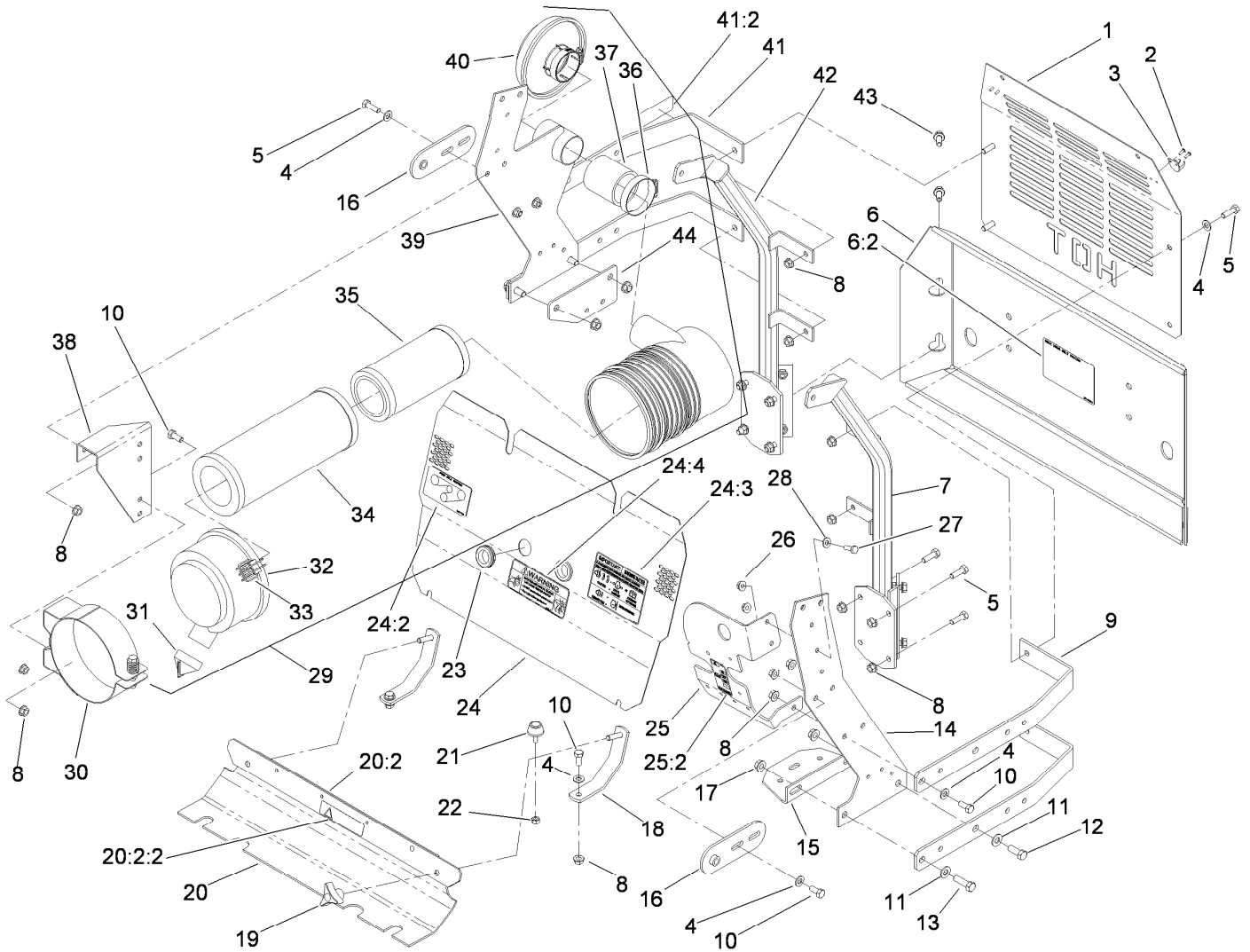
● Not serviced separately



## Front and Rear Engine Cover Assembly

| Ref. | Part Number | Qty. | Description                    | Ref.   | Part Number | Qty. | Description                |
|------|-------------|------|--------------------------------|--------|-------------|------|----------------------------|
| 1    | 103-4855-03 | 1    | Guard-Muffler                  | 18     | 103-5163-03 | 2    | Mount-Belt Shield, Engine  |
| 2    | 923786      | 4    | Rivet                          | 19     | 1-323385    | 2    | Knob-3 Prong               |
| 3    | 1-643189    | 2    | Keeper-Latch, Rubber           | 20     | 107-7709    | 1    | Engine Belt Shield ASM     |
| 4    | 3256-23     | 13   | Washer-Flat                    | 20:2   |             | 1    | Strip-Shield, Belt ●       |
| 5    | 322-5       | 14   | Screw-HH                       | 20:2:2 | 98-5954     | 1    | Decal-Cover, Missing       |
| 6    | 107-9865    | 1    | Rear Bumper ASM                | 21     | 109-2365    | 2    | Rubber Bumper ASM (W/Stud) |
| 6:2  | 107-9864    | 1    | Decal-Belt Routing, Deck Drive | 22     | 3296-42     | 2    | Nut-Lock, NI               |
| 7    | 103-5157-03 | 1    | Frame-Upper, LH Rear           | 23     | 100-3815    | 2    | Grommet-Rubber             |
| 8    | 32128-20    | 23   | Nut-HF                         | 24     | 107-7707    | 1    | Engine Access Panel ASM    |
| 9    | 103-4906-03 | 3    | Bar-Mount Frame, Radiator      | 24:2   | 107-7705    | 1    | Decal-Belt Routing, Pump   |
| 10   | 322-3       | 9    | Screw-HH                       | 24:3   | 103-3276    | 1    | Decal-Buzzer, Warning      |
| 11   | 3256-24     | 4    | Washer-Flat                    | 24:4   | 103-5881    | 1    | Decal-Devices, Rotating    |
| 12   | 323-6       | 2    | Screw-HH                       | 25     | 117-3862    | 1    | Fuse/Relay Bracket ASM     |
| 13   | 323-7       | 2    | Screw-HH                       | 25:2   | 117-7818    | 1    | Decal-Fuse                 |
| 14   | 103-5169-03 | 1    | Mount-Side, LH                 | 26     | 32128-33    | 2    | Nut-HF                     |
| 15   | 103-2603-03 | 1    | Bracket-Bottle                 | 27     | 321-4       | 2    | Screw-HH                   |
| 16   | 1-632986-03 | 2    | Shackle-Hinge                  | 28     | 3256-22     | 2    | Washer-Flat                |
| 17   | 3290-357    | 4    | Nut-HHF, Whiz                  | 29     | 103-5178    | 1    | Filter-Air                 |

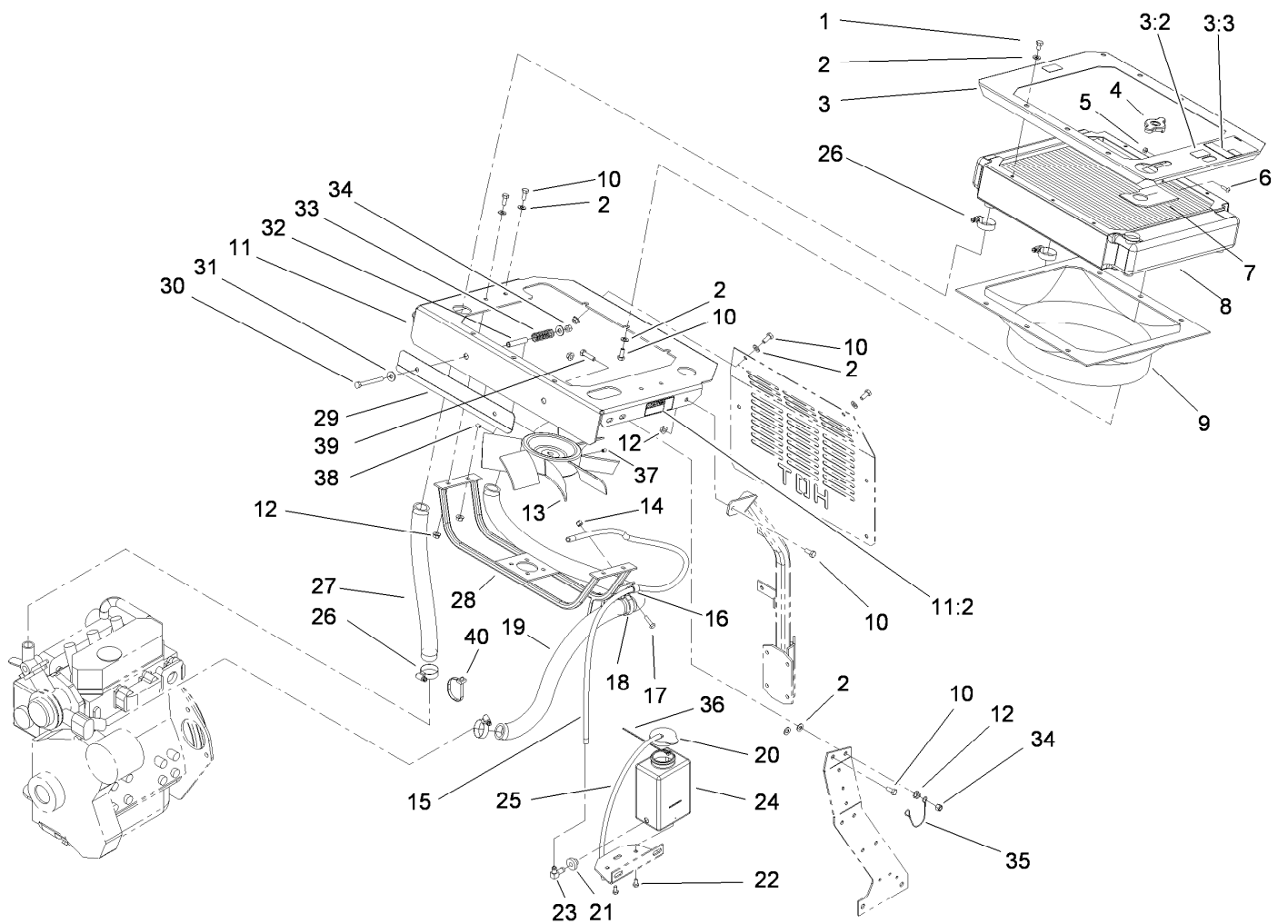
● Not serviced separately



## Front and Rear Engine Cover Assembly (continued)

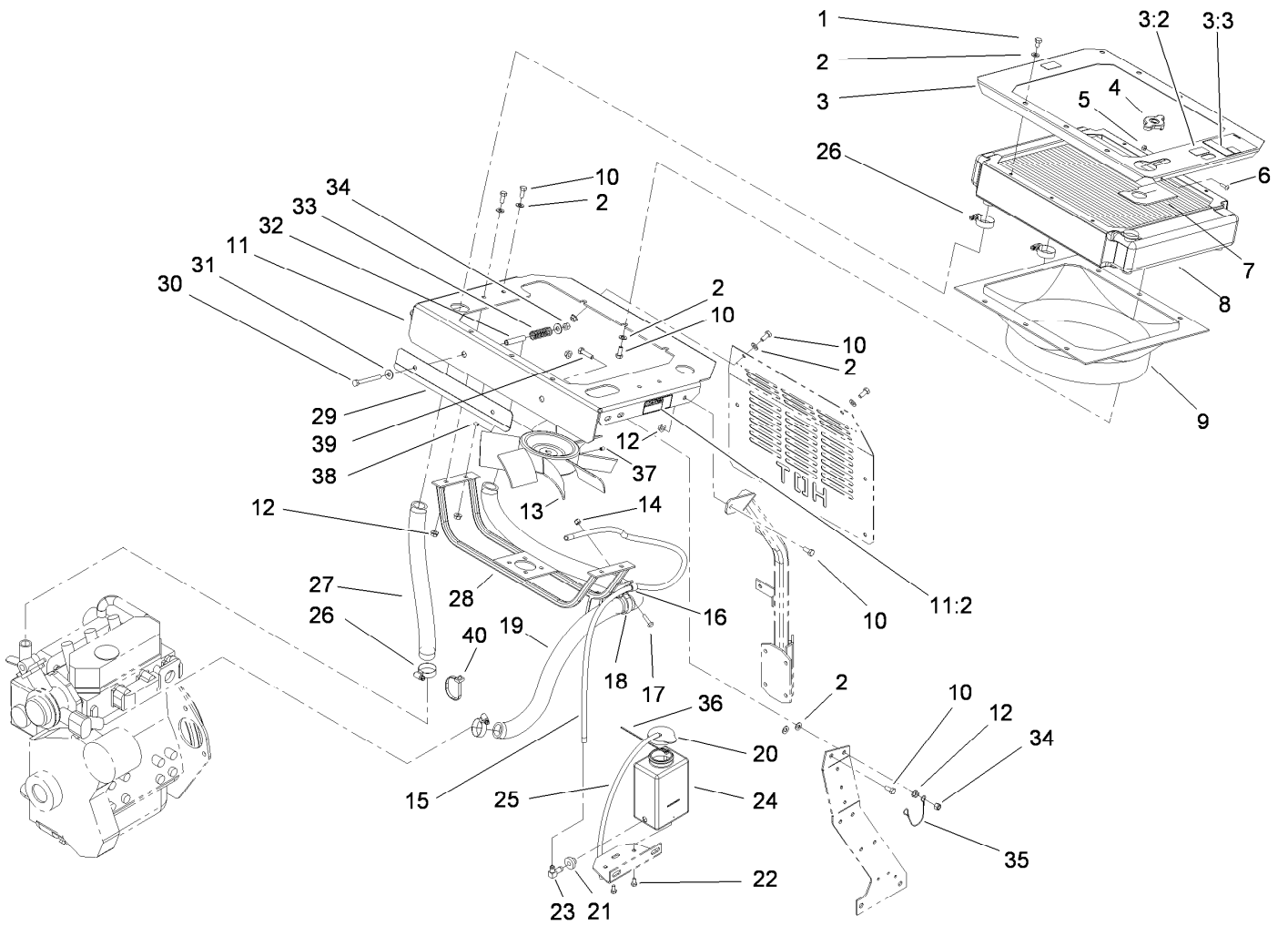
| <i>Ref.</i> | <i>Part Number</i> | <i>Qty.</i> | <i>Description</i>  | <i>Ref.</i> | <i>Part Number</i> | <i>Qty.</i> | <i>Description</i>             |
|-------------|--------------------|-------------|---------------------|-------------|--------------------|-------------|--------------------------------|
| 30          | 103-1058           | 1           | Bracket-Filter, Air | 39          | 103-5123-03        | 1           | RH Radiator And Ac Support ASM |
| 31          | 99-3175            | 1           | Valve-Ejector, Dust | 40          | 100-2436           | 1           | Hood                           |
| 32          | 103-1060           | 1           | Cover-Filter, Air   | 41          | 107-7715           | 1           | Bar-Radiator                   |
| 33          | 1-643283           | 2           | Latch-Cleaner, Air  | 41:2        | 65-2690            | 1           | Decal-Surface, Hot             |
| 34          | 103-1327           | 1           | Filter-Air          | 42          | 103-5158-03        | 1           | Frame-Upper, RH Rear           |
| 35          | 103-1326           | 1           | Filter-Air, Safety  | 43          | 3234-47            | 4           | Screw-HHF                      |
| 36          | 2412-42            | 1           | Clamp-Hose          | 44          | 114-8205-03        | 1           | Plate-Fuel Filter Mount        |
| 37          | 103-5198           | 1           | Hose-Intake         |             |                    |             |                                |
| 38          | 103-0953-03        | 1           | Mount-Cleaner, Air  |             |                    |             |                                |

● Not serviced separately



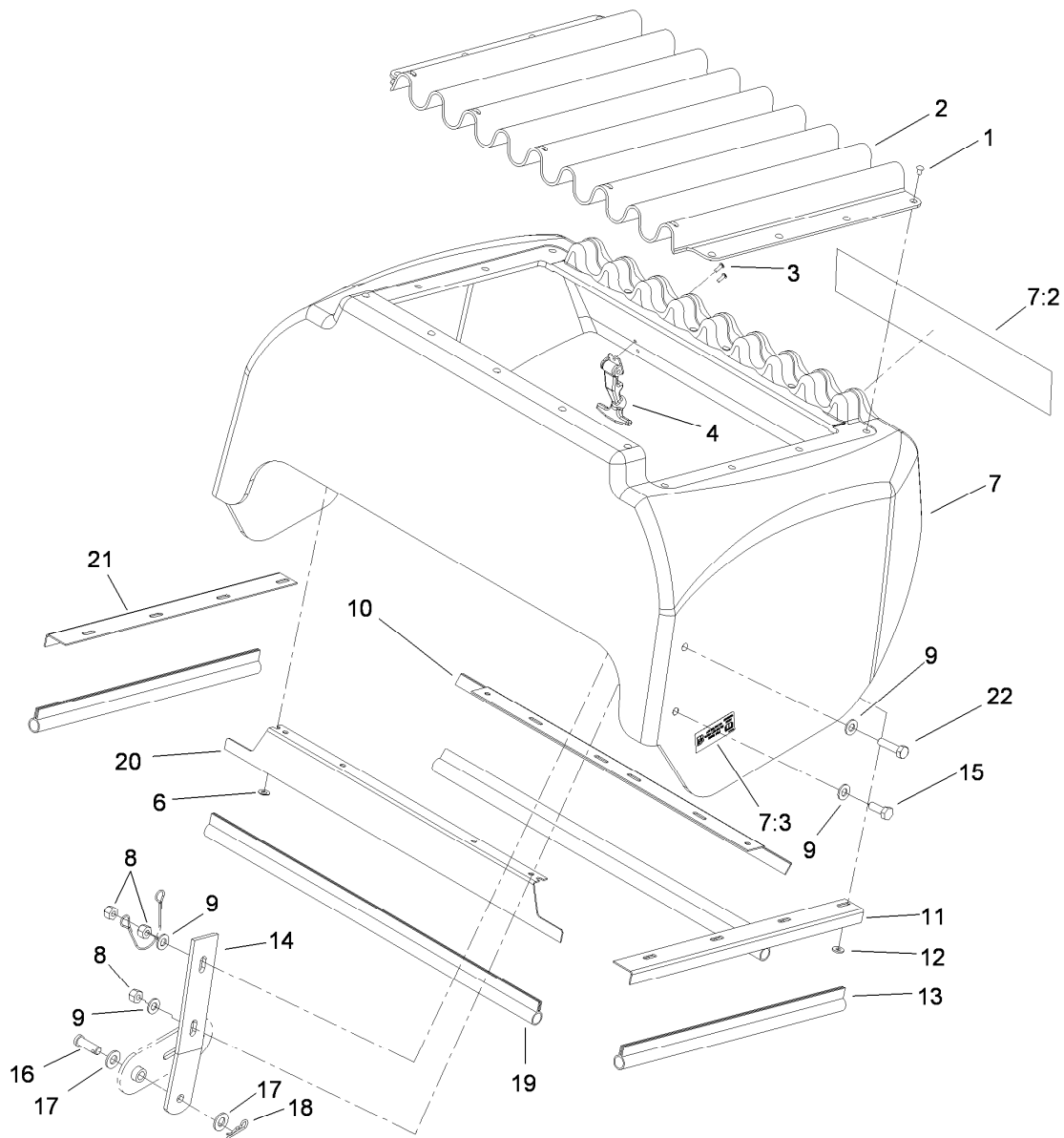
## Cooling System Assembly

| Ref. | Part Number | Qty. | Description                | Ref. | Part Number | Qty. | Description               |
|------|-------------|------|----------------------------|------|-------------|------|---------------------------|
| 1    | 322-1       | 6    | Screw-HH                   | 19   | 103-0922    | 1    | Hose-Inlet, Engine        |
| 2    | 3256-23     | 22   | Washer-Flat                | 20   | 1-643164    | 1    | Cap-Tank, Overflow        |
| 3    | 107-7658    | 1    | Plate-Trim, Radiator       | 21   | 1-513645    | 1    | Bushing-Valve, Fuel       |
| 3:2  | 65-2690     | 2    | Decal-Surface, Hot         | 22   | 321-2       | 2    | Screw-HH                  |
| 3:3  | 104-2449    | 1    | Decal-Coolant              | 23   | 1-643259    | 1    | Fitting-Elbow             |
| 4    | 1-643161    | 1    | Cap-Radiator               | 24   | 1-643163    | 1    | Tank-Overflow             |
| 5    | 3296-2      | 1    | Nut-Lock, NI               | 25   | 109-2669    | 1    | Hose                      |
| 6    | 1-803075    | 1    | Screw-Head, Truss          | 26   | 1-633989    | 4    | Clamp-Hose                |
| 7    | 103-1352    | 1    | Shield-Fill Neck, Radiator | 27   | 103-2505    | 1    | Hose-Outlet, Engine       |
| 8    | 107-9889    | 1    | Radiator                   | 28   | 103-0086-03 | 1    | Mount-Motor, Fan          |
| 9    | 103-0898    | 1    | Shroud-Cooling, Engine     | 29   | 103-4986    | 1    | Bracket-Deflector, Air    |
| 10   | 322-3       | 16   | Screw-HH                   | 30   | 322-14      | 2    | Screw-HH                  |
| 11   | 107-7717    | 1    | Fan Mounting Plate ASM     | 31   | 3256-3      | 4    | Washer-Flat               |
| 11:2 | 1-643253    | 2    | Decal-Fan, Radiator        | 32   | 103-5223    | 2    | Spacer                    |
| 12   | 32128-20    | 10   | Nut-HF                     | 33   | 1-513296    | 2    | Spring-Indicator, Reverse |
| 13   | 103-0892    | 1    | Fan                        | 34   | 3296-29     | 4    | Nut-Lock, NI              |
| 14   | 3296-42     | 1    | Nut-Lock, NI               | 35   | 107-9853    | 2    | Lanyard                   |
| 15   | 109-2670    | 1    | Hose                       | 36   | 1-303287    | 3    | Tie-Cable                 |
| 16   | 1-513762    | 1    | Clip-Loom                  | 37   | 3245-44     | 1    | Screw-Set                 |
| 17   | 321-6       | 1    | Screw-HH                   | 38   | 909848      | 1    | Screw-Set                 |
| 18   | 103-0113    | 1    | Clip-Loom                  |      |             |      |                           |



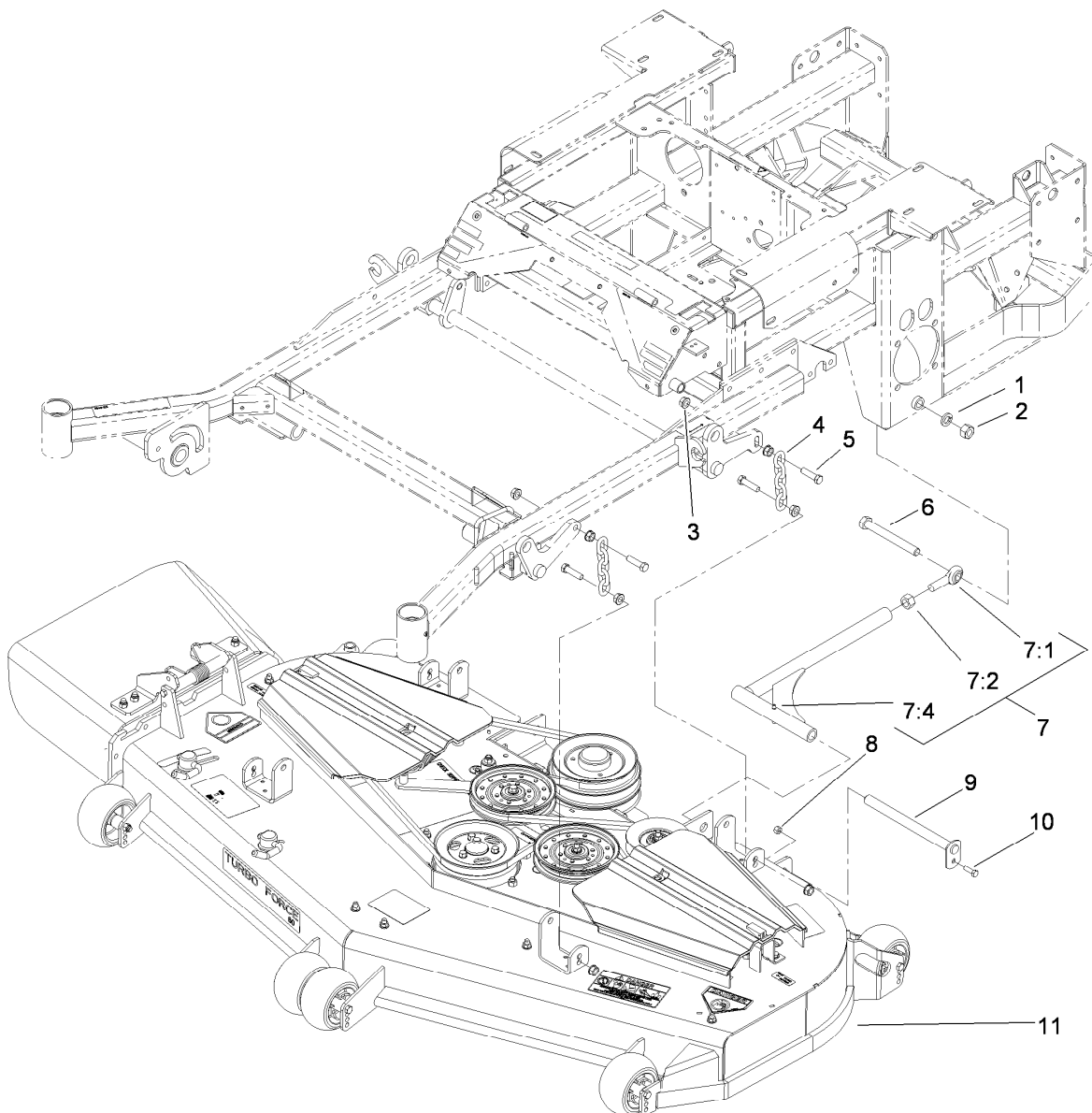
## Cooling System Assembly (continued)

| Ref. | Part Number | Qty. | Description |
|------|-------------|------|-------------|
| 39   | 322-6       | 2    | Screw-HH    |
| 40   | 1-303335    | 2    | Tie-Plastic |



## Hood Assembly

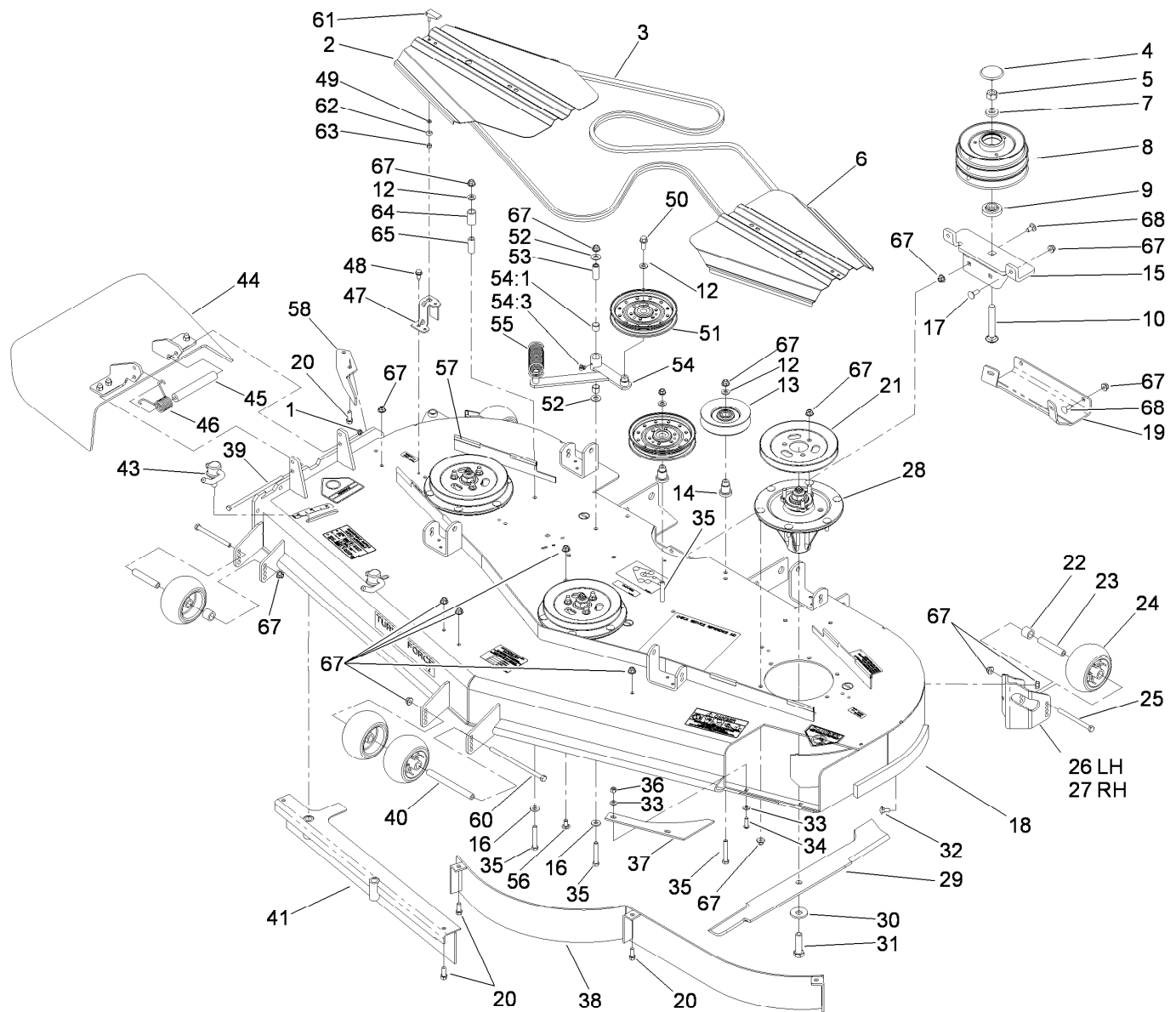
| Ref. | Part Number | Qty. | Description            | Ref. | Part Number | Qty. | Description         |
|------|-------------|------|------------------------|------|-------------|------|---------------------|
| 1    | 1-803072    | 17   | Rivet                  | 12   | 3256-14     | 12   | Washer-Flat         |
| 2    | 1-633864-03 | 1    | Screen-Radiator        | 13   | 1-643186    | 2    | Seal-Trim           |
| 3    | 923786      | 4    | Rivet                  | 14   | 1-633885-03 | 2    | Plate-Hinge, Hood   |
| 4    | 1-643188    | 2    | Latch-Rubber           | 15   | 322-4       | 2    | Screw-HH            |
| 6    | 1-303435    | 5    | Washer-Spring          | 16   | 1-808285    | 2    | Pin-Clevis          |
| 7    | 115-3560    | 1    | Hood ASM               | 17   | 3256-24     | 4    | Washer-Flat         |
| 7:2  | 107-7674    | 1    | Decal                  | 18   | 1-806003    | 2    | Pin-Cotter, Hair    |
| 7:3  | 114-9600    | 2    | Decal-Low Sulfur       | 19   | 1-643187    | 2    | Seal-Trim           |
| 8    | 3296-29     | 6    | Nut-Lock, NI           | 20   | 1-643107-03 | 1    | Angle-Radiator, Top |
| 9    | 3256-23     | 8    | Washer-Flat            | 21   | 1-643106-03 | 1    | Angle-Radiator, RH  |
| 10   | 1-643108-03 | 1    | Angle-Radiator, Bottom | 22   | 322-6       | 2    | Screw-HH            |
| 11   | 1-643105-03 | 1    | Angle-Radiator, LH     |      |             |      |                     |



## Deck Connection Assembly

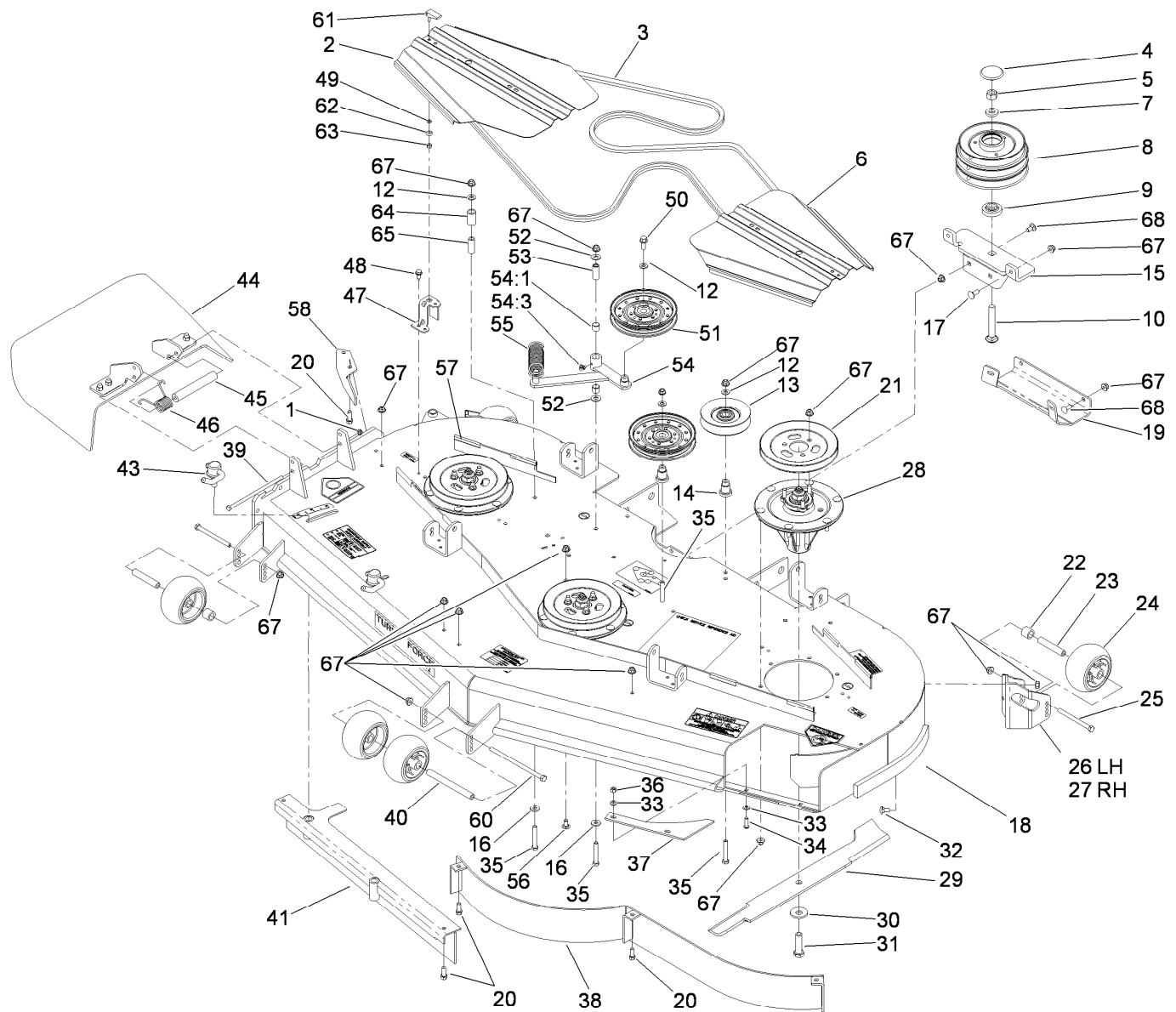
| Ref. | Part Number | Qty. | Description         |
|------|-------------|------|---------------------|
| 1    | 3253-8      | 2    | Washer-Lock         |
| 2    | 3217-11     | 2    | Nut-Hex             |
| 3    | 32128-37    | 16   | Nut-HF              |
| 4    | 1-633447    | 4    | Chain-Lift, Deck    |
| 5    | 103-1898    | 8    | Screw-HH            |
| 6    | 327-28      | 2    | Screw-HH            |
| 7    | 103-1356    | 2    | Strut ASM           |
| 7:1  | 1-633029    | 1    | Balljoint-Spherical |
| 7:2  | 3219-6      | 1    | Nut-Hex             |
| 7:4  | 109-1380    | 2    | Fitting-Grease      |
| 8    | 3296-29     | 2    | Nut-Lock, NI        |
| 9    | 1-632199-01 | 2    | Pin-Strut           |
| 10   | 322-3       | 2    | Screw-HH            |
| 11   |             | 1    | Deck ASM ●          |

● Not serviced separately



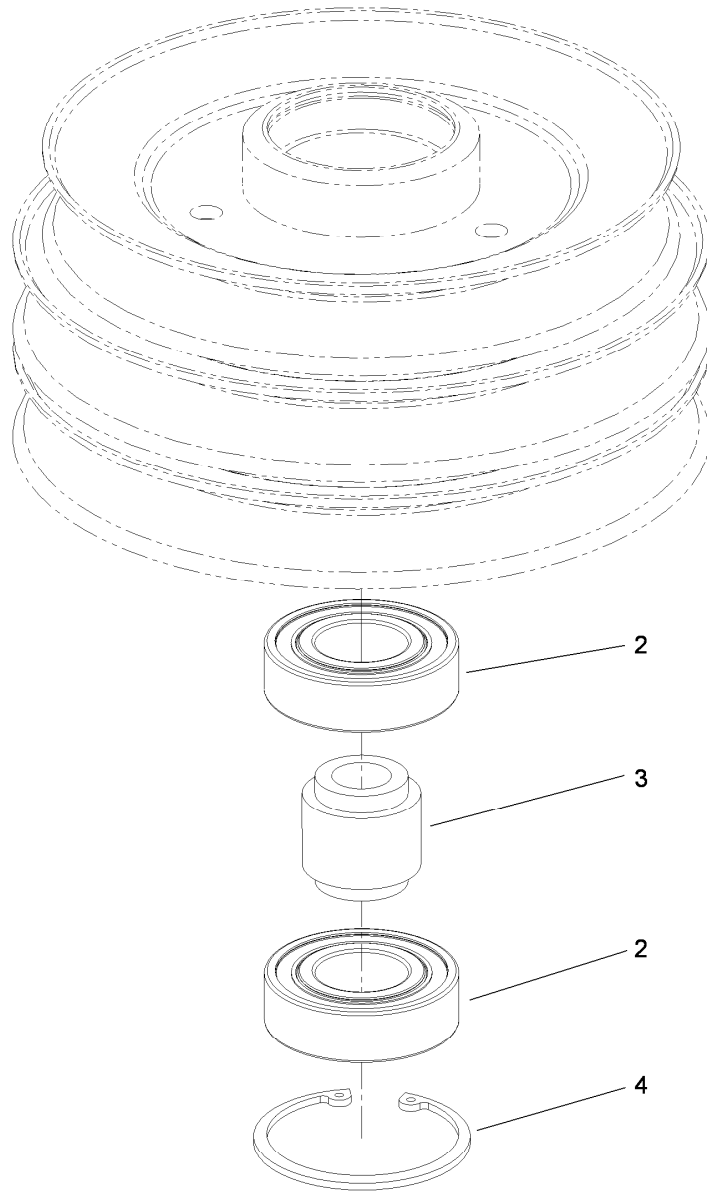
## Deck Assembly

| Ref. | Part Number | Qty. | Description            | Ref. | Part Number | Qty. | Description              |
|------|-------------|------|------------------------|------|-------------|------|--------------------------|
| 1    | 3296-47     | 1    | Nut-Lock, NI           | 23   | 98-7912     | 4    | Tube-Spanner             |
| 2    | 112-8666-03 | 1    | Cover-Belt, LH         | 24   | 1-603299    | 6    | Roller-Scalp, Anti       |
| 3    | 107-7723    | 1    | Belt-V                 | 25   | 323-23      | 4    | Screw-HH                 |
| 4    | 112-8049    | 1    | Cap-Plastic            | 26   | 106-7354-01 | 1    | Mount-Wheel, LH          |
| 5    | 3217-11     | 1    | Nut-Hex                | 27   | 106-7355-01 | 1    | Mount-Wheel, RH          |
| 6    | 112-8667-03 | 1    | Cover-Belt, RH         | 28   | 117-6159    | 3    | Spindle ASM              |
| 7    | 105-0842    | 1    | Spacer                 | 29   | 105-7784-03 | 3    | Blade-Hi Flow, 24.5 Inch |
| 8    | 114-0210    | 1    | Pulley And Bearing ASM | 30   | 103-0865    | 3    | Washer-Blade Bolt, Heavy |
| 9    | 112-8048    | 1    | Spacer-Flanged         | 31   | 51-4060     | 3    | Screw-Blade              |
| 10   | 112-8046    | 1    | Bolt-Carriage          | 32   | 3231-1      | 1    | Screw-CARR               |
| 12   | 3256-24     | 4    | Washer-Flat            | 33   | 1-303334    | 4    | Washer-Spring            |
| 13   | 1-603805    | 1    | Pulley-Idler           | 34   | 3274-104    | 2    | Screw-HSBH               |
| 14   | 106-3214    | 2    | Mount-Pulley           | 35   | 323-12      | 4    | Screw-HH                 |
| 15   | 110-5893-01 | 1    | Mounting Bracket ASM   | 36   | 3296-29     | 2    | Nut-Lock, NI             |
| 16   | 98-5975     | 2    | Washer-Belleville      | 37   | 107-3138    | 1    | Plate-Turbo              |
| 17   | 3231-2      | 2    | Screw-CARR             | 38   | 105-7730-01 | 1    | Baffle ASM               |
| 18   | 117-3859    | 1    | Deck Decal ASM         | 39   | 322-50      | 1    | Screw-HH                 |
| 19   | 106-3279-01 | 1    | Plate-Skid             | 40   | 98-5967     | 1    | Spacer-Wheel             |
| 20   | 92-1624     | 6    | Screw-HWH              | 41   | 105-7669-01 | 1    | Baffle ASM               |
| 21   | 107-7678    | 3    | Pulley                 | 43   | 107-1664    | 2    | Lever ASM                |
| 22   | 98-7913     | 4    | Tube-Spacer            | 44   | 108-2792    | 1    | Rubber Deflector ASM     |



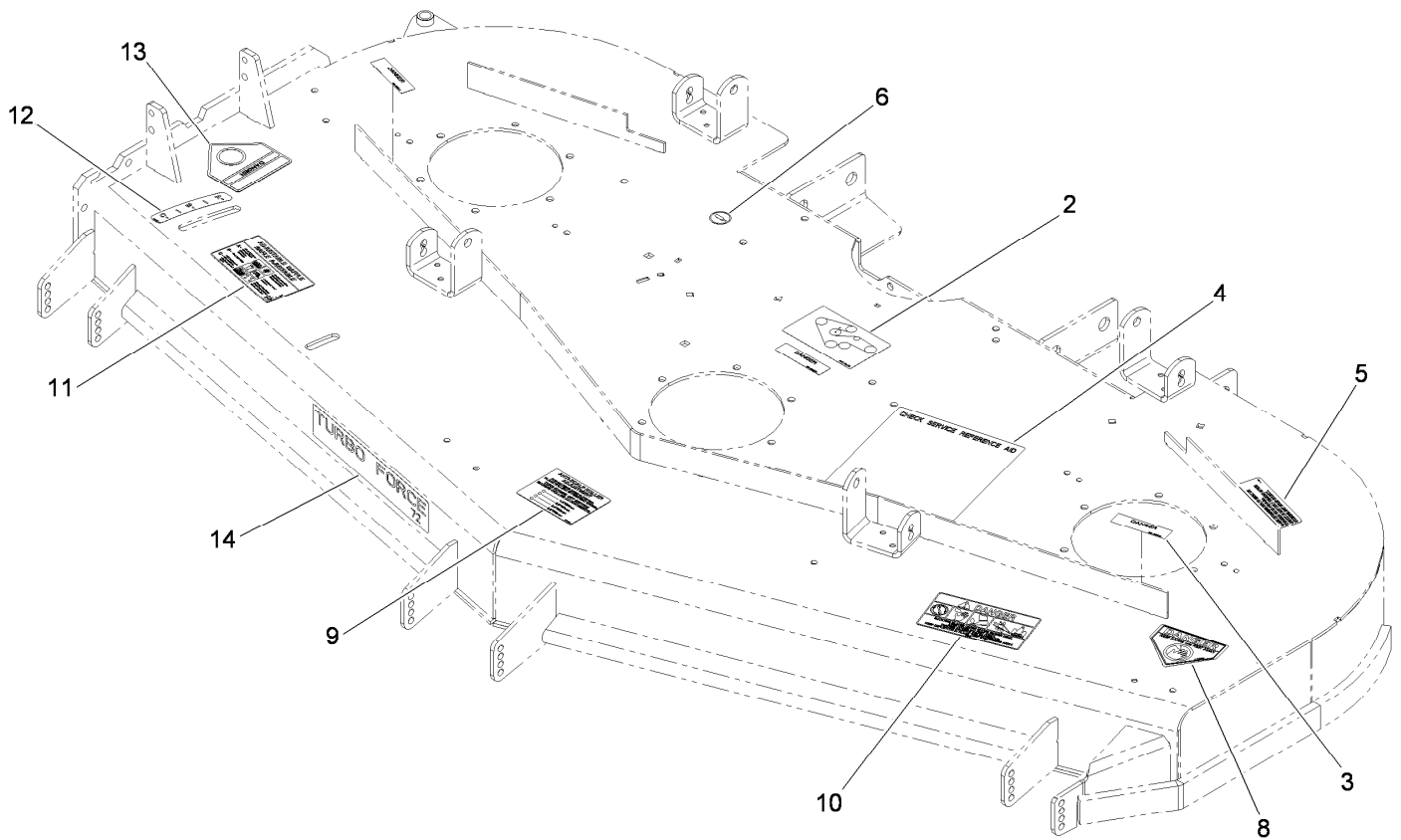
## Deck Assembly (continued)

| <i>Ref.</i> | <i>Part Number</i> | <i>Qty.</i> | <i>Description</i> | <i>Ref.</i> | <i>Part Number</i> | <i>Qty.</i> | <i>Description</i>   |
|-------------|--------------------|-------------|--------------------|-------------|--------------------|-------------|----------------------|
| 45          | 105-4622           | 1           | Spacer             | 55          | 105-6992           | 1           | Spring-Extension     |
| 46          | 108-4052           | 1           | Spring-Torsion     | 56          | 3231-21            | 1           | Screw-CARR           |
| 47          | 119-4220-01        | 4           | Bracket-Cover      | 57          | 105-7699           | 8           | Strip-Seal           |
| 48          | 32144-70           | 4           | Screw-HWHTF        | 58          | 106-3216-01        | 1           | Baffle-Discharge     |
| 49          | 99-3058            | 4           | Washer             | 60          | 108-5388           | 1           | Screw-HH             |
| 50          | 3234-11            | 1           | Screw-HHF          | 61          | 106-6777           | 4           | Handle-Latch, Swell  |
| 51          | 1-633109           | 2           | Idler-Flat         | 62          | 106-6778           | 4           | Bushing-Latch, Swell |
| 52          | 3256-4             | 2           | Washer-Flat        | 63          | 1-804254           | 4           | Nut-Lock, HH         |
| 53          | 1-603044           | 1           | Bushing            | 64          | 112-8051           | 1           | Spacer-Rubber        |
| 54          | 107-9868           | 1           | Idler Arm ASM      | 65          | 80-7710            | 1           | Spacer-Pivot, Idler  |
| 54:1        | 103-4681           | 2           | Sleeve-Bearing     | 67          | 104-8301           | 57          | Nut-Flange, NI       |
| 54:3        | 302-40             | 1           | Fitting-Grease     | 68          | 3231-27            | 6           | Screw-CARR           |



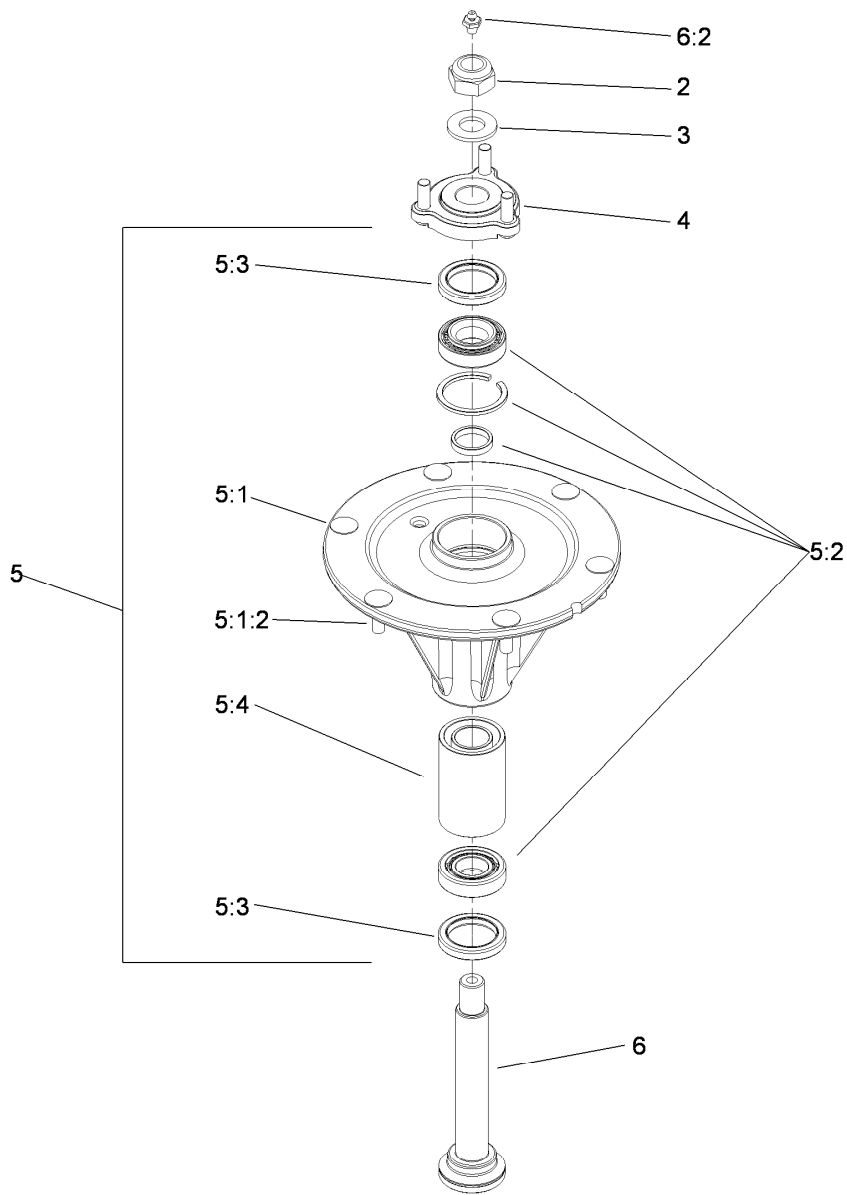
## Pulley and Bearing Assembly No. 114-0210

| <i>Ref.</i> | <i>Part Number</i> | <i>Qty.</i> | <i>Description</i> |
|-------------|--------------------|-------------|--------------------|
| 2           | 104-6325           | 2           | Bearing-Ball       |
| 3           | 112-8047           | 1           | Spacer-Bearing     |
| 4           | 32120-8            | 1           | Ring-Snap          |



## Deck Decal Assembly No. 117-3859

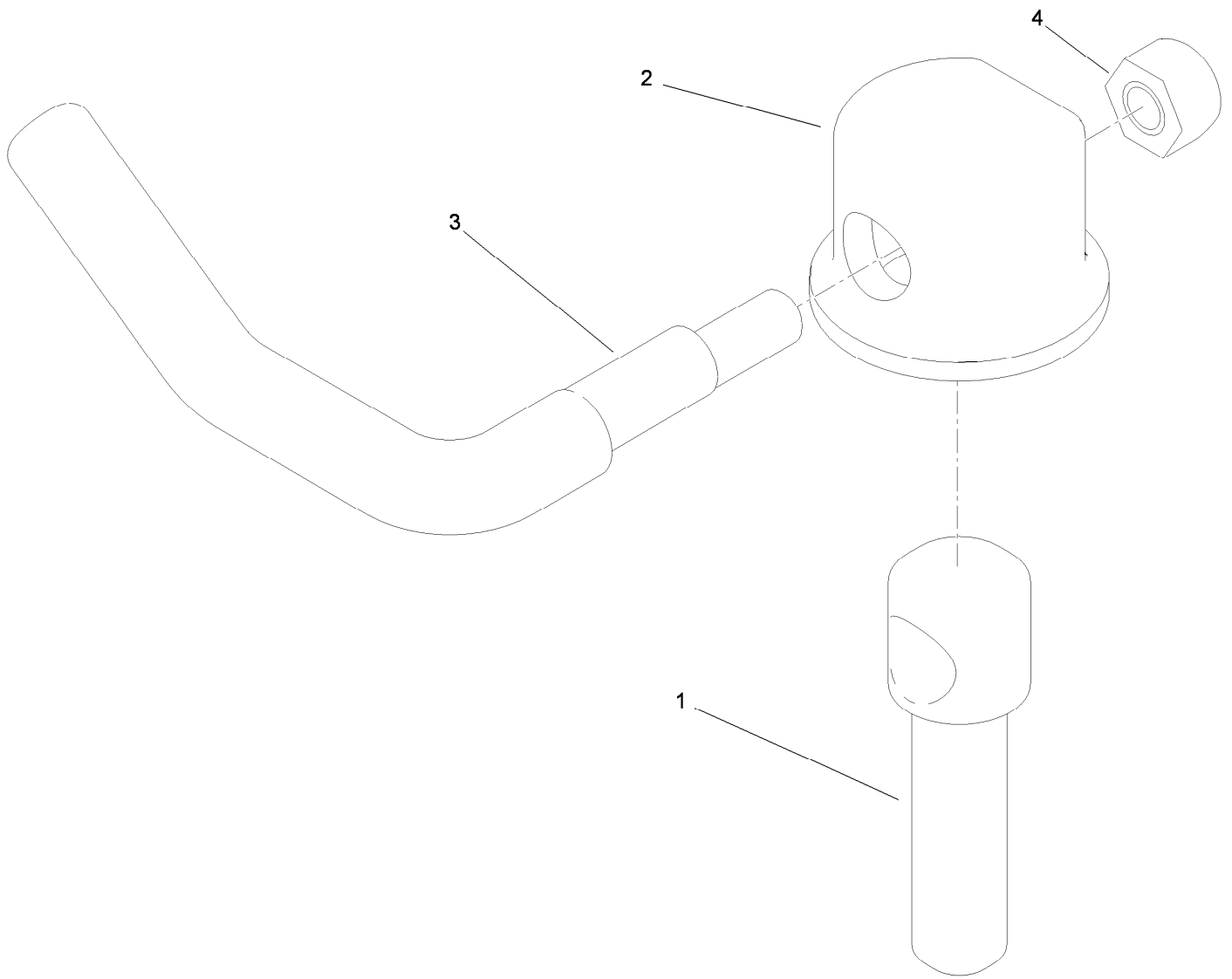
| <i>Ref.</i> | <i>Part Number</i> | <i>Qty.</i> | <i>Description</i>          |
|-------------|--------------------|-------------|-----------------------------|
| 2           | 107-7673           | 1           | Decal-Routing, Belt         |
| 3           | 98-5954            | 3           | Decal-Cover, Missing        |
| 4           | 107-9863           | 1           | Decal-Check, Service        |
| 5           | 68-8340            | 1           | Decal-Torque                |
| 6           | 58-6520            | 4           | Decal-Grease                |
| 8           | 1-403005           | 1           | Decal-Danger                |
| 9           | 105-7798           | 1           | Decal-Scalp, Anti           |
| 10          | 66-1340            | 1           | Decal-Danger, Thrown Object |
| 11          | 110-2068           | 1           | Decal-Adjustment, Baffle    |
| 12          | 110-2067           | 1           | Decal-Setting, Baffle       |
| 13          | 54-9220            | 1           | Decal-Danger                |
| 14          | 107-1620           | 1           | Decal                       |



## Spindle Assembly No. 117-6159

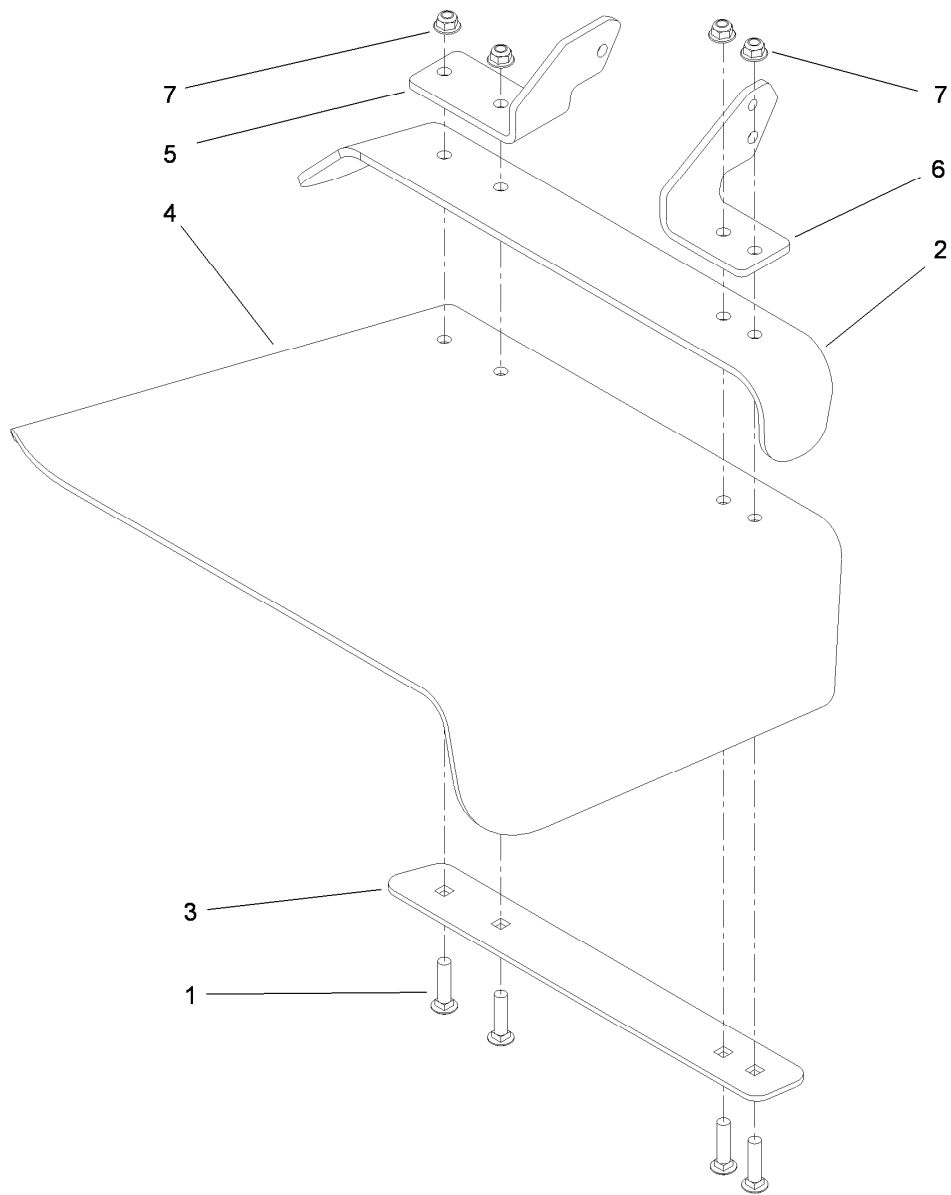
| Ref.  | Part Number | Qty. | Description                                |
|-------|-------------|------|--|
| 2     | 3296-67     | 1    | Nut-Lock, NI                               |
| 3     | 92-5836     | 1    | Washer                                     |
| 4     | 117-6172    | 1    | Spindle Hub ASM                            |
| 5     |             | 1    | Spindle Housing And Tapered Bearings ASM ● |
| 5:1   |             | 1    | Housing-Spindle ●                          |
| 5:1:2 | 114-8195    | 6    | Bolt-Ribbed Neck                           |
| 5:2   | 114-8163    | 1    | Bearing ASM                                |
| 5:3   | 253-133     | 2    | Seal-Oil                                   |
| 5:4   | 117-6185    | 1    | Spacer Set                                 |
| 6     | 119-1851    | 1    | Spindle Shaft And Zerk ASM                 |
| 6:2   | 302-2       | 1    | Fitting-Grease                             |

● Not serviced separately



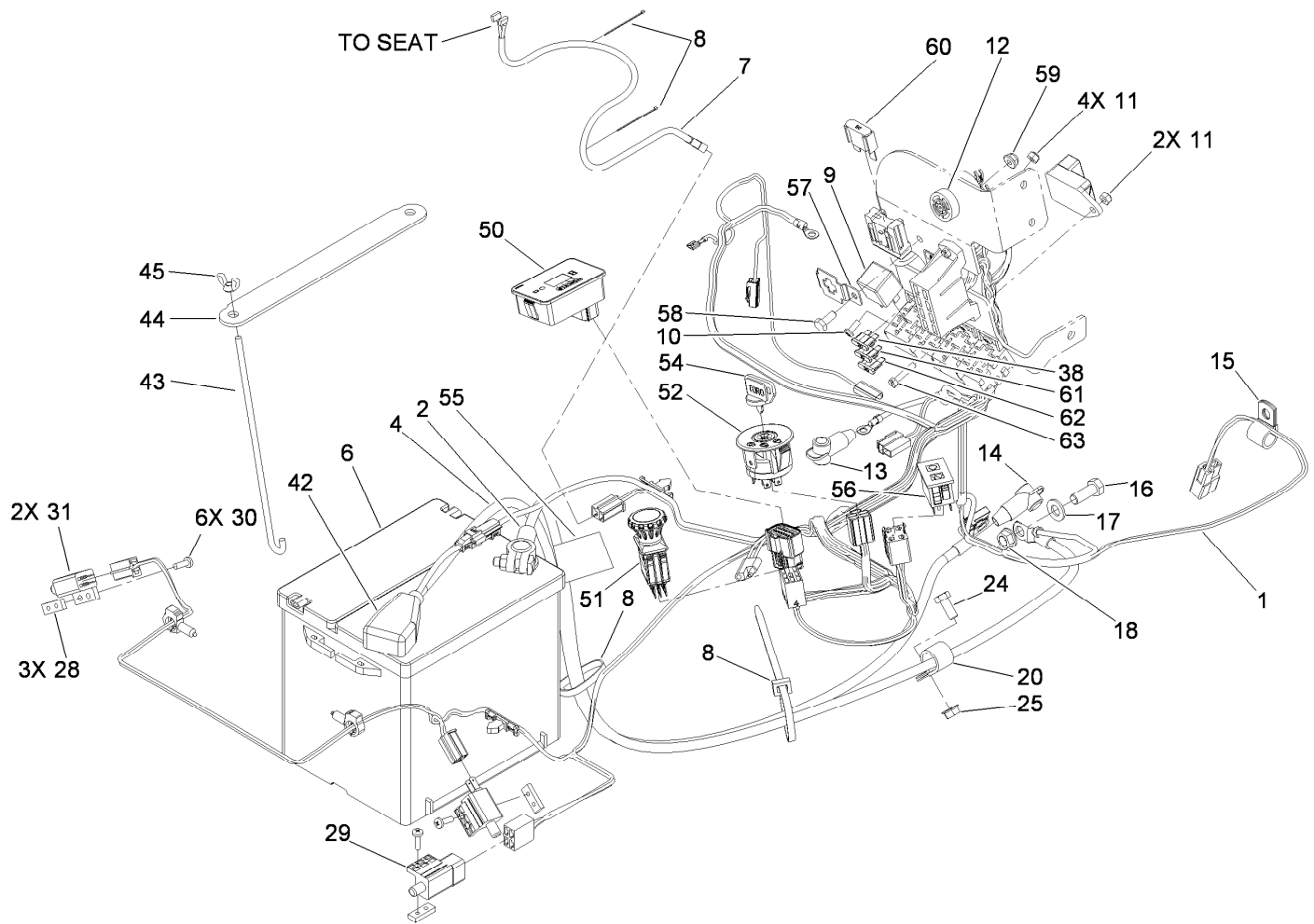
## Lever Assembly No. 107-1664

| <i>Ref.</i> | <i>Part Number</i> | <i>Qty.</i> | <i>Description</i> |
|-------------|--------------------|-------------|--------------------|
| 1           | 106-3239           | 1           | Screw-Lock         |
| 2           | 107-1644           | 1           | Cap-Lock           |
| 3           | 106-3241           | 1           | Lever-Lock         |
| 4           | 3296-29            | 1           | Nut-Lock, NI       |



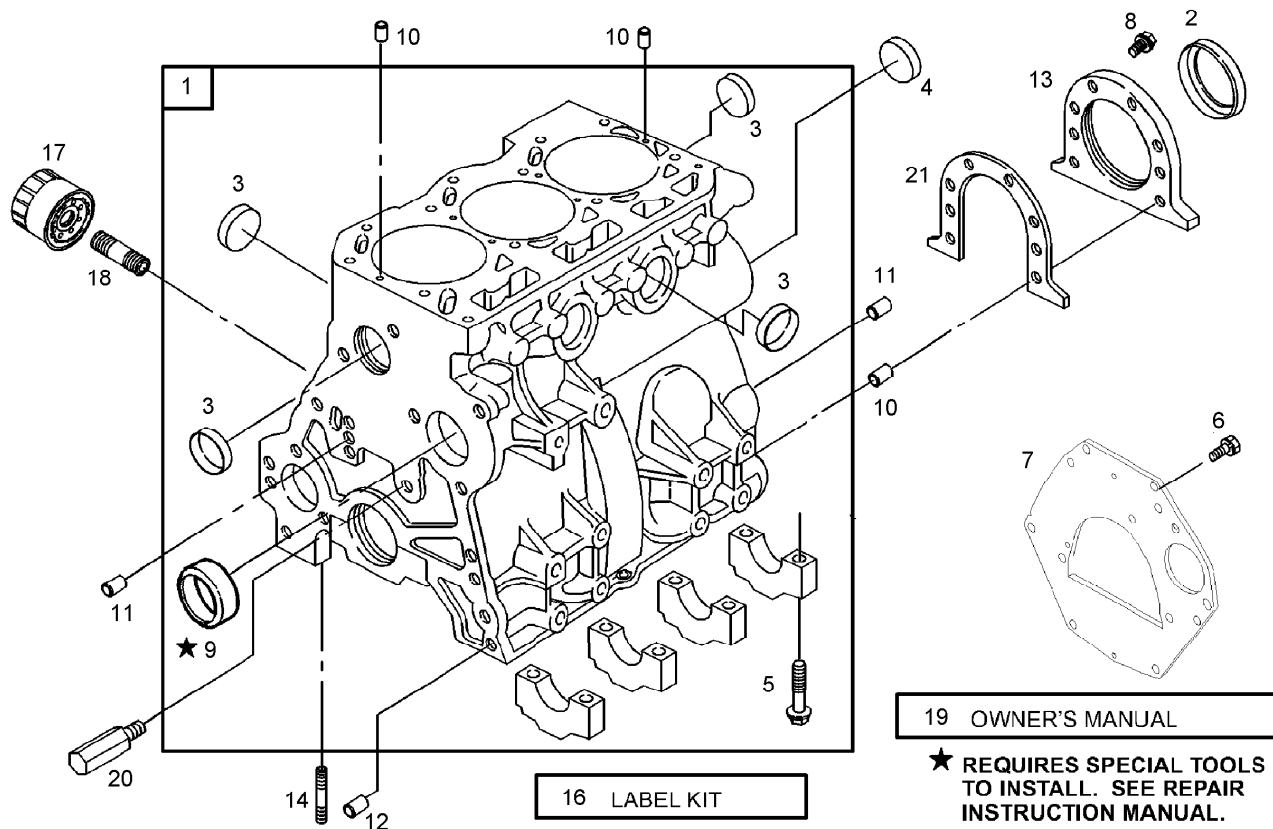
## Rubber Deflector Assembly No. 108-2792

| <i>Ref.</i> | <i>Part Number</i> | <i>Qty.</i> | <i>Description</i> |
|-------------|--------------------|-------------|--------------------|
| 1           | 3231-4             | 4           | Screw-CARR         |
| 2           | 106-3246-01        | 1           | Deflector          |
| 3           | 106-3248-03        | 1           | Strap-Discharge    |
| 4           | 108-5029           | 1           | Deflector-Rubber   |
| 5           | 108-4059-01        | 1           | Plate-Hinge, Rear  |
| 6           | 106-3253-01        | 1           | Plate-Hinge, Front |
| 7           | 3296-39            | 4           | Nut-Lock, NI       |



## Electrical Assembly

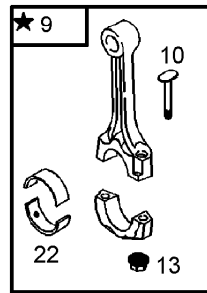
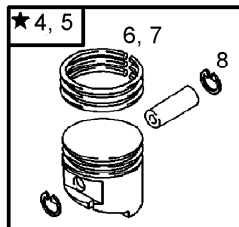
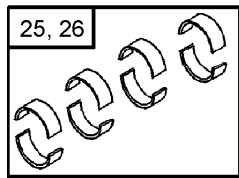
| Ref. | Part Number | Qty. | Description             | Ref. | Part Number | Qty. | Description                  |
|------|-------------|------|-------------------------|------|-------------|------|------------------------------|
| 1    | 117-3817    | 1    | Harness-Electrical      | 30   | 3290-500    | 6    | Screw-PPH                    |
| 2    | 117-3851    | 1    | Cable-Battery, Negative | 31   | 1-513051    | 2    | Switch-Open, Normally        |
| 4    | 103-1160    | 1    | Cable-Starter           | 38   | 1-816001    | 1    | Fuse-Blade Type, 20 Amp      |
| 6    | 106-5187    | 1    | Battery                 | 42   | 103-1340    | 1    | Insulator-Terminal, Battery  |
| 7    | 103-1227    | 1    | Harness-Wiring, Seat    | 43   | 103-1312    | 2    | Bolt-Holddown                |
| 8    | 1-303335    | 4    | Tie-Plastic             | 44   | 103-1311-03 | 1    | Holddown-Battery             |
| 9    | 1-643275    | 4    | Relay                   | 45   | 1-543792    | 2    | Wingnut                      |
| 10   | 1-803071    | 4    | Screw                   | 50   | 112-8650    | 1    | Hour Meter ASM               |
| 11   | 3296-2      | 6    | Nut-Lock, NI            | 51   | 116-0124    | 1    | Switch-PTO, 10A              |
| 12   | 103-0205    | 1    | Alarm-Tone, Dual        | 52   | 116-0050    | 1    | Switch-Ignition              |
| 13   | 1-643178    | 1    | Cap-Insulator, Red      | 54   | 63-8360     | 2    | Key-Ignition                 |
| 14   | 103-1420    | 1    | Insulator-Starter       | 55   | 107-9309    | 1    | Decal-Instructions, Charging |
| 15   | 1-603727    | 1    | Clip-Loom               | 56   | 100-8071    | 1    | Lamp-Warning                 |
| 16   | 323-6       | 1    | Screw-HH                | 57   | 114-5502    | 1    | Clip-Fuse                    |
| 17   | 3256-24     | 1    | Washer-Flat             | 58   | 321-3       | 1    | Screw-HH                     |
| 18   | 3290-357    | 1    | Nut-HHF, Whiz           | 59   | 104-7201    | 1    | Nut-HF                       |
| 20   | 1-633396    | 1    | Clip-Loom               | 60   | 94-8002     | 1    | Fuse-Blade, 50 Amp           |
| 24   | 322-3       | 1    | Screw-HH                | 61   | 218-578     | 1    | Fuse-Blade, 10 Amp           |
| 25   | 32128-20    | 1    | Nut-HF                  | 62   | 109103      | 1    | Fuse-Blade, 30 Amp           |
| 28   | 1-633181    | 3    | Plate-Tapped            | 63   | 32105-12    | 2    | Screw                        |
| 29   | 1-633111    | 1    | Switch                  |      |             |      |                              |



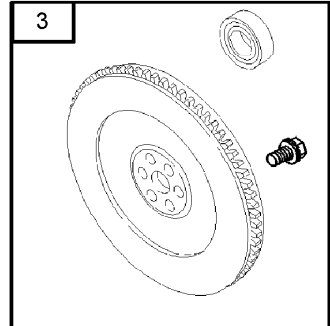
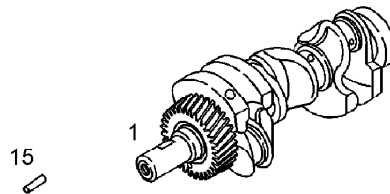
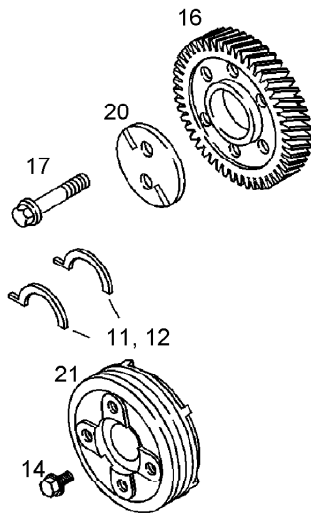
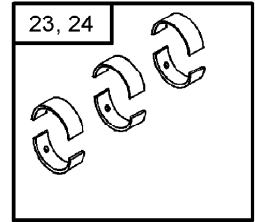
Assemblies include all parts shown in frames.

## Cylinder Assembly

| Ref. | Part Number | Qty. | Description         |
|------|-------------|------|---------------------|
| 1    | 107-9891    | 1    | Cylinder ASM        |
| 2    | 99-9003     | 1    | Seal-Oil            |
| 3    | 99-9008     | 1    | Plug-Welch          |
| 4    | 107-9892    | 1    | Plug-Welch (Cam)    |
| 5    | 99-9006     | 1    | Screw-Hex           |
| 6    | 99-9005     | 1    | Screw-Hex           |
| 7    | 107-9893    | 1    | Plate-End, Rear     |
| 8    | 99-9004     | 1    | Screw-Hex           |
| 9    | 99-9002     | 1    | Bushing             |
| 10   | 99-9012     | 1    | Pin-Locating        |
| 11   | 99-9013     | 1    | Pin-Locating        |
| 12   | 99-9014     | 1    | Pin-Locating        |
| 13   | 99-9022     | 1    | Retainer-Seal       |
| 14   | 99-9007     | 1    | Stud-Metric         |
| 16   | 107-9894    | 1    | Kit-Label           |
| 17   | 99-9017     | 1    | Filter-Oil          |
| 18   | 105-9337    | 1    | Adapter-Filter, Oil |
| 19   | 103-1384    | 1    | Manual-Engine       |
| 20   | 99-9020     | 1    | Nozzle-Oil          |
| 21   | 99-9021     | 1    | Gasket-Retainer     |



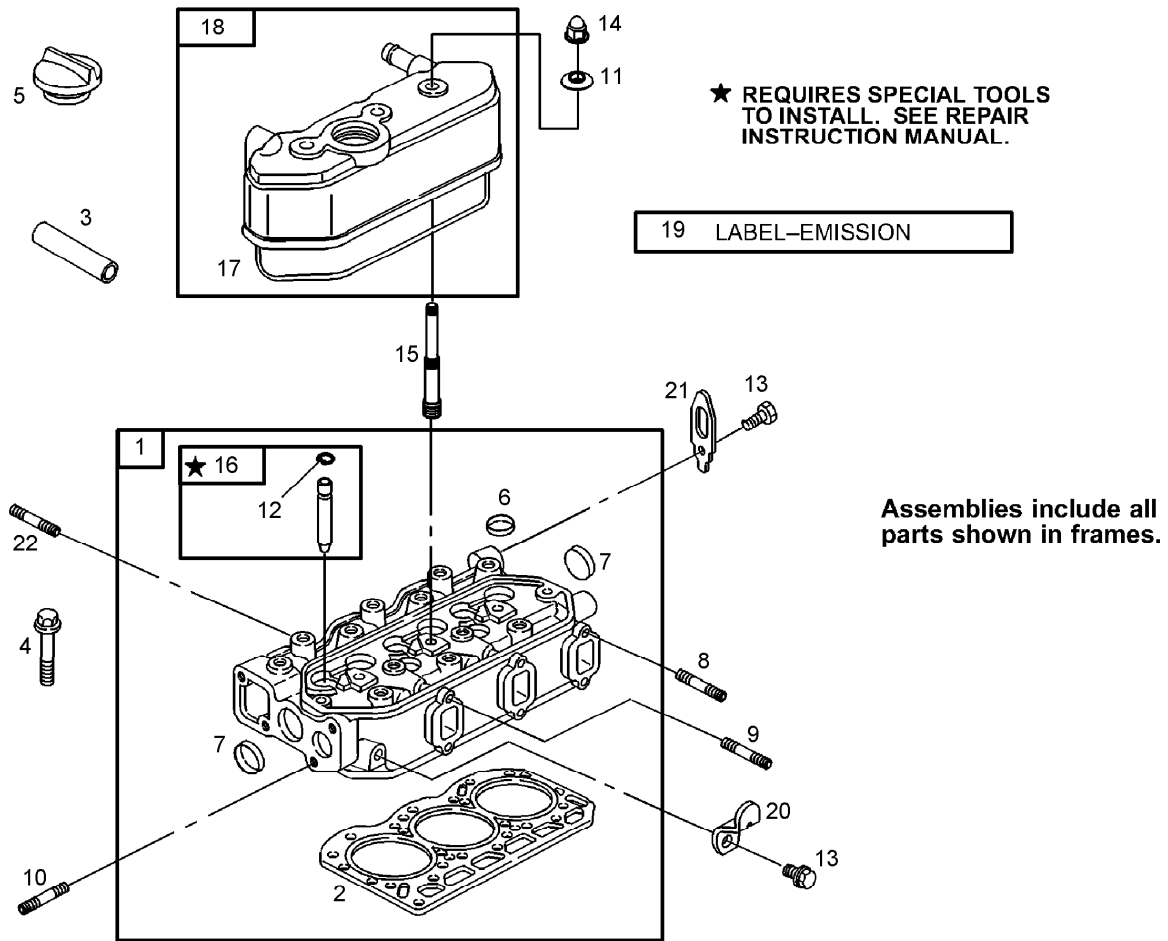
★ REQUIRES SPECIAL TOOLS TO INSTALL. SEE REPAIR INSTRUCTION MANUAL.



Assemblies include all parts shown in frames.

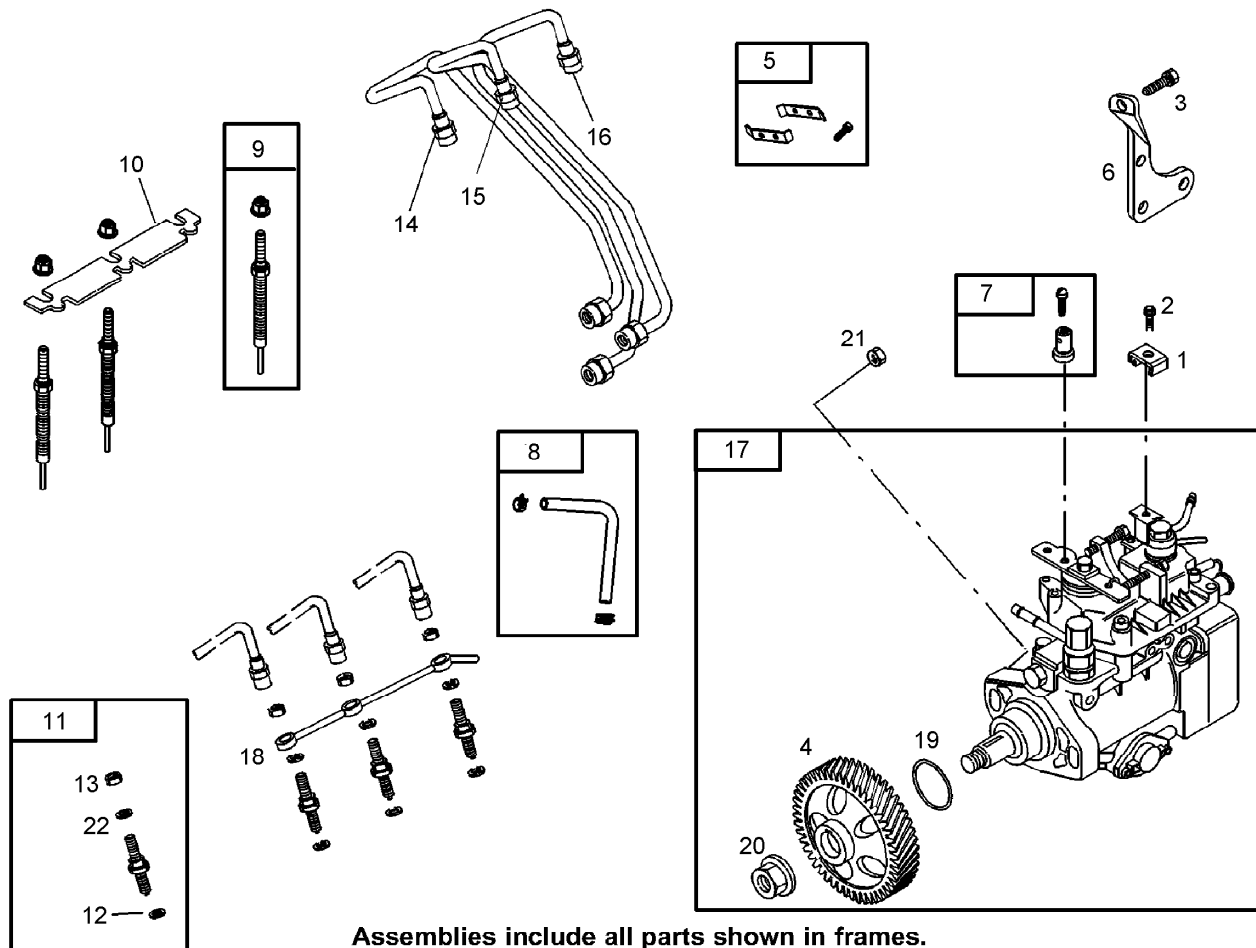
## Crankshaft Assembly

| Ref. | Part Number | Qty. | Description                        |
|------|-------------|------|------------------------------------|
| 1    | 105-9339    | 1    | Crankshaft                         |
| 3    | 99-9024     | 1    | Flywheel                           |
| 4    | 107-9895    | 1    | Piston ASM                         |
| 5    | 107-9896    | 1    | Piston ASM (Oversize)              |
| 6    | 105-9340    | 1    | Ring Set                           |
| 7    | 99-9269     | 1    | Ring Set (.010 Oversized)          |
| 8    | 99-9607     | 1    | Lock-Pin, Piston                   |
| 9    | 99-9608     | 1    | Rod-Connecting                     |
| 10   | 99-9030     | 1    | Screw                              |
| 11   | 99-9035     | 1    | Shim-Endplay                       |
| 12   | 99-9036     | 1    | Shim-Endplay (.005 Oversized)      |
| 13   | 99-9034     | 1    | Nut-Hex                            |
| 14   | 107-9897    | 1    | Screw-Hex                          |
| 15   | 99-9037     | 1    | Pin-Locating                       |
| 16   | 99-9609     | 1    | Gear-Drive                         |
| 17   | 99-9032     | 1    | Screw-Hex                          |
| 20   | 99-9040     | 1    | Plate-Gear, Idler                  |
| 21   | 99-9041     | 1    | Pulley-Crankshaft                  |
| 22   | 99-9042     | 1    | Bearing-Rod                        |
| 23   | 99-9043     | 1    | Rod Bearing Set                    |
| 24   | 99-9044     | 1    | Rod Bearing Set (.010 Undersized)  |
| 25   | 99-9045     | 1    | Main Bearing Set (Set Of 8)        |
| 26   | 99-9046     | 1    | Main Bearing Set (.010 Undersized) |



## Cylinder Head Assembly

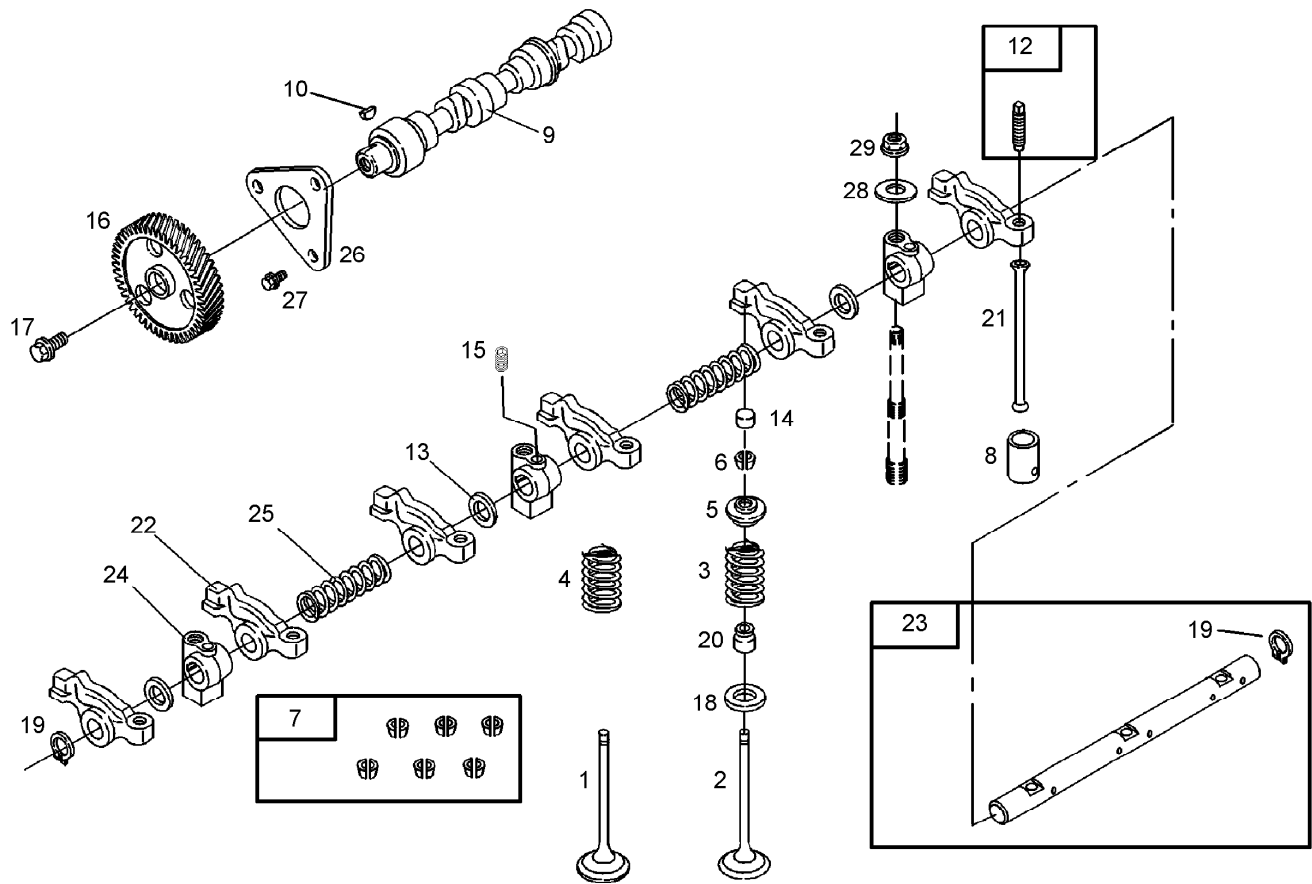
| <i>Ref.</i> | <i>Part Number</i> | <i>Qty.</i> | <i>Description</i>    |
|-------------|--------------------|-------------|-----------------------|
| 1           | 105-9341           | 1           | Head-Cylinder         |
| 2           | 107-9898           | 1           | Gasket-Head, Cylinder |
| 3           | 105-9342           | 1           | Tube-Breather         |
| 4           | 99-9614            | 1           | Screw-Metric          |
| 5           | 99-9052            | 1           | Cap-Fill, Oil         |
| 6           | 99-9060            | 1           | Plug-Welch            |
| 7           | 99-9008            | 1           | Plug-Welch            |
| 8           | 99-9058            | 1           | Stud-Metric           |
| 9           | 99-9059            | 1           | Stud-Metric           |
| 10          | 99-9057            | 1           | Stud-Metric           |
| 11          | 99-9063            | 1           | Washer-Seal           |
| 12          | 99-9067            | 1           | Retainer              |
| 13          | 99-9054            | 1           | Screw-Hex             |
| 14          | 99-9061            | 1           | Nut-Hex, Metric       |
| 15          | 99-9101            | 1           | Stud-Arm, Rocker      |
| 16          | 99-9070            | 1           | Bushing-Guide         |
| 17          | 99-9073            | 1           | Gasket-Cover, Rocker  |
| 18          | 100-6402           | 1           | Cover-Rocker          |
| 19          | 107-9899           | 1           | Emmision Label Kit    |
| 20          | 99-9076            | 1           | Bracket-Lifting       |
| 21          | 99-9077            | 1           | Bracket-Lifting       |
| 22          | 99-9055            | 1           | Stud-Metric           |



Assemblies include all parts shown in frames.

## Injection Pump Assembly

| Ref. | Part Number | Qty. | Description          |
|------|-------------|------|----------------------|
| 1    | 99-9622     | 1    | Clamp-Casing         |
| 2    | 99-9056     | 1    | Screw-Hex            |
| 3    | 99-9616     | 1    | Screw-Hex            |
| 4    | 99-9689     | 1    | Gear-Drive           |
| 5    | 99-9625     | 1    | Clamp                |
| 6    | 99-9626     | 1    | Bracket-Support      |
| 7    | 99-9628     | 1    | Clamp-Swivel         |
| 8    | 99-9629     | 1    | Hose / Clamp ASM     |
| 9    | 99-9630     | 1    | Plug-Glow            |
| 10   | 99-9631     | 1    | Strap-Plug, Glow     |
| 11   | 99-9632     | 1    | Nozzle-Injector      |
| 12   | 99-9633     | 1    | Seat-Injector        |
| 13   | 105-9345    | 1    | Nut                  |
| 14   | 99-9690     | 1    | Pipe-Injector, No. 1 |
| 15   | 99-9634     | 1    | Pipe-Injector, No. 2 |
| 16   | 99-9635     | 1    | Pipe-Injector, No. 3 |
| 17   | 105-9334    | 1    | Pump-Injection       |
| 18   | 99-9637     | 1    | Pipe-Return, Fuel    |
| 19   | 99-9618     | 1    | O-Ring               |
| 20   | 99-9620     | 1    | Nut-Hex, Metric      |
| 21   | 99-9619     | 1    | Nut-Hex, Metric      |
| 22   | 105-9343    | 1    | Seat-Injector        |

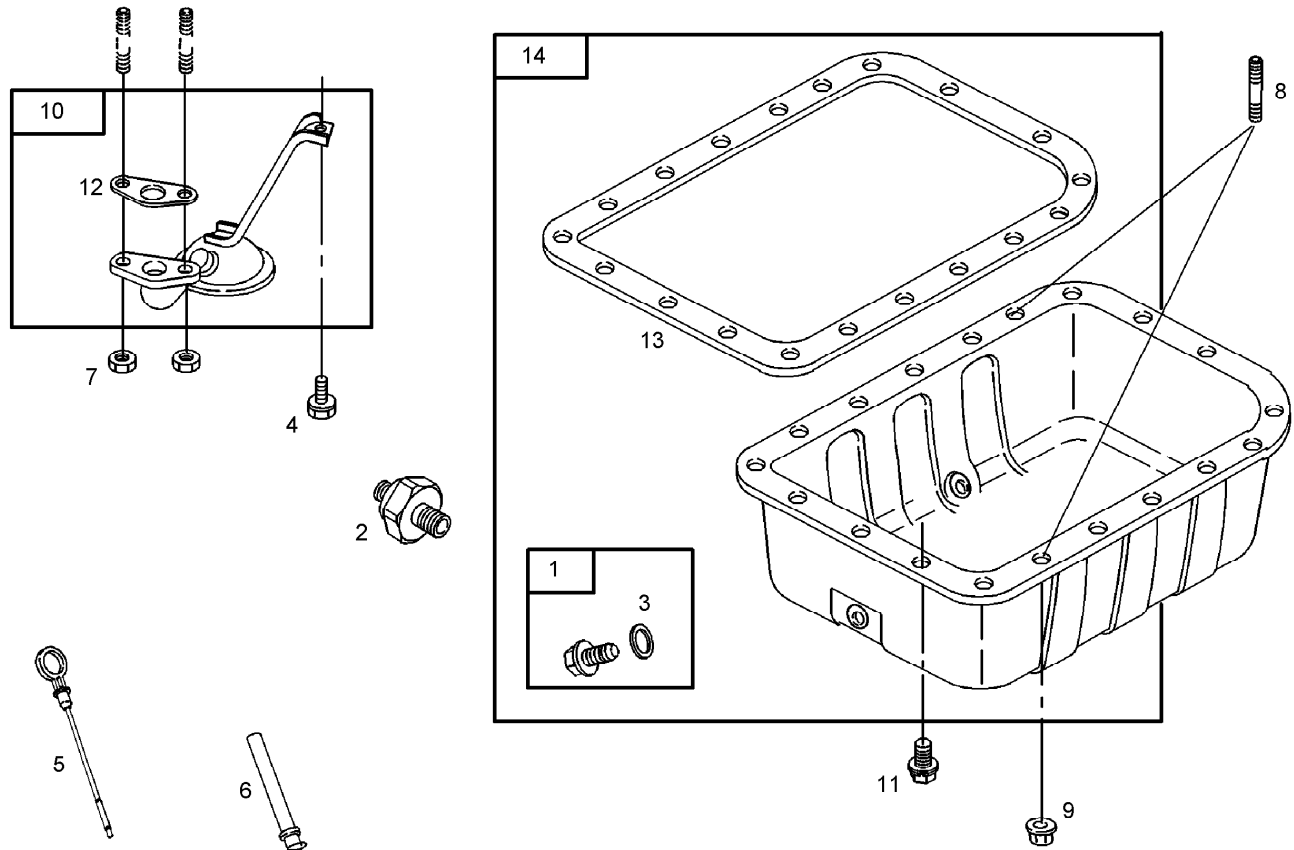


Assemblies include all parts shown in frames.

## Camshaft Assembly

| Ref. | Part Number | Qty. | Description                   |
|------|-------------|------|-------------------------------|
| 1    | 99-9638     | 1    | Valve-Exhaust                 |
| 2    | 99-9639     | 1    | Valve-Intake                  |
| 3    | 99-9640     | 1    | Spring-Valve                  |
| 4    | 99-9640     | 1    | Spring-Valve                  |
| 5    | 99-9084     | 1    | Retainer-Valve                |
| 6    | 99-9086     | 1    | Keeper-Valve (Set)            |
| 7    | 99-9087     | 1    | *obs* Keeper-Valve (Set Of 6) |
| 8    | 99-9088     | 1    | Tappet-Valve                  |
| 9    | 99-9097     | 1    | Shaft-Cam                     |
| 10   | 99-9675     | 1    | Key-Timing                    |
| 12   | 99-9092     | 1    | Adjuster-Arm, Rocker          |
| 13   | 99-9093     | 1    | Washer-Spacer                 |
| 14   | 99-9094     | 1    | Cap-Valve                     |
| 15   | 99-9090     | 1    | Screw-Metric                  |

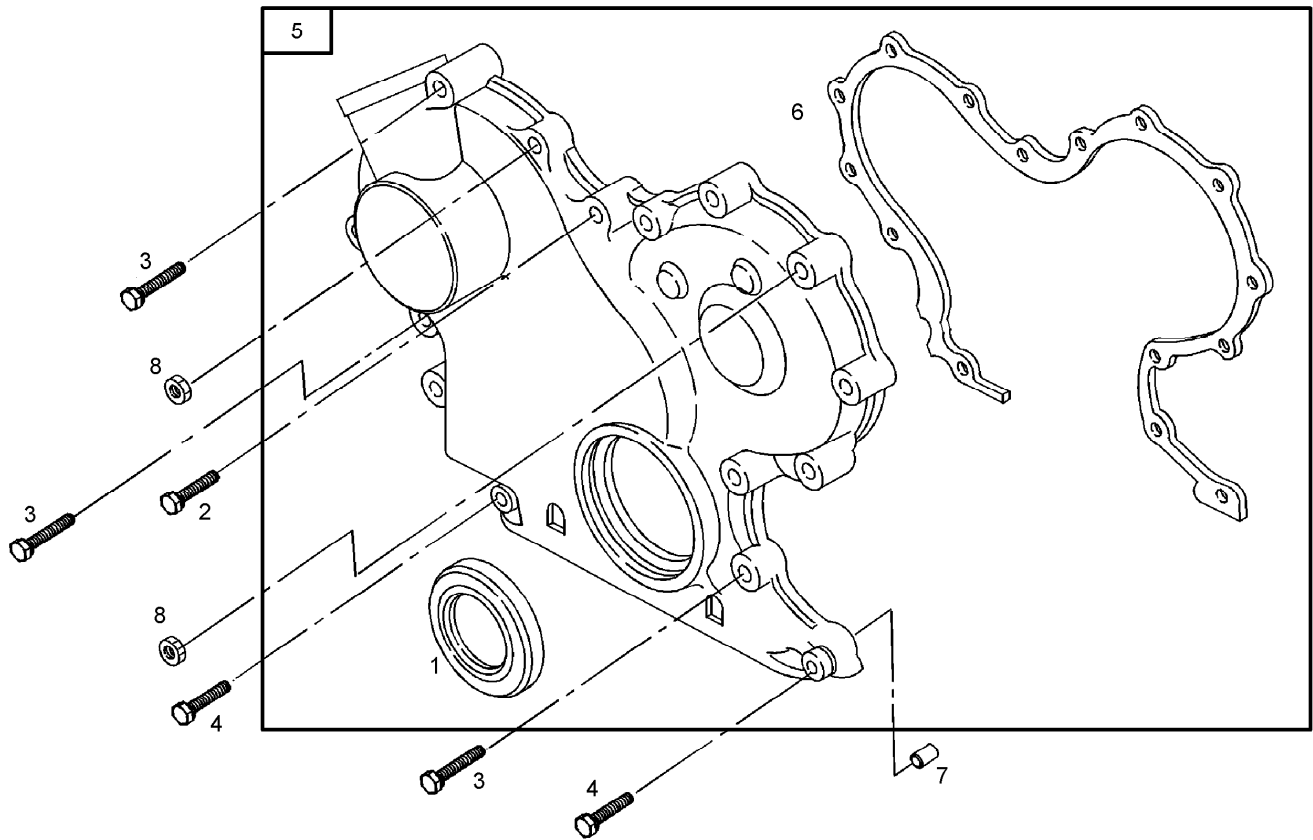
| Ref. | Part Number | Qty. | Description          |
|------|-------------|------|----------------------|
| 16   | 99-9641     | 1    | Gear-Cam             |
| 17   | 99-9085     | 1    | Screw-Metric         |
| 18   | 99-9096     | 1    | Seat-Spring, Valve   |
| 19   | 99-9099     | 1    | Retainer             |
| 20   | 99-9643     | 1    | Seal-Valve           |
| 21   | 99-9103     | 1    | Rod-Push             |
| 22   | 99-9104     | 1    | Arm-Rocker           |
| 23   | 99-9106     | 1    | Shaft-Arm, Rocker    |
| 24   | 99-9107     | 1    | Support-Arm, Rocker  |
| 25   | 99-9108     | 1    | Spring-Shaft, Rocker |
| 26   | 99-9109     | 1    | Retainer-Camshaft    |
| 27   | 99-9083     | 1    | Screw-Hex            |
| 28   | 99-9079     | 1    | Washer-Flat          |
| 29   | 99-9091     | 1    | Nut-Hex, Metric      |



Assemblies include all parts shown in frames.

## Oil Pan Assembly

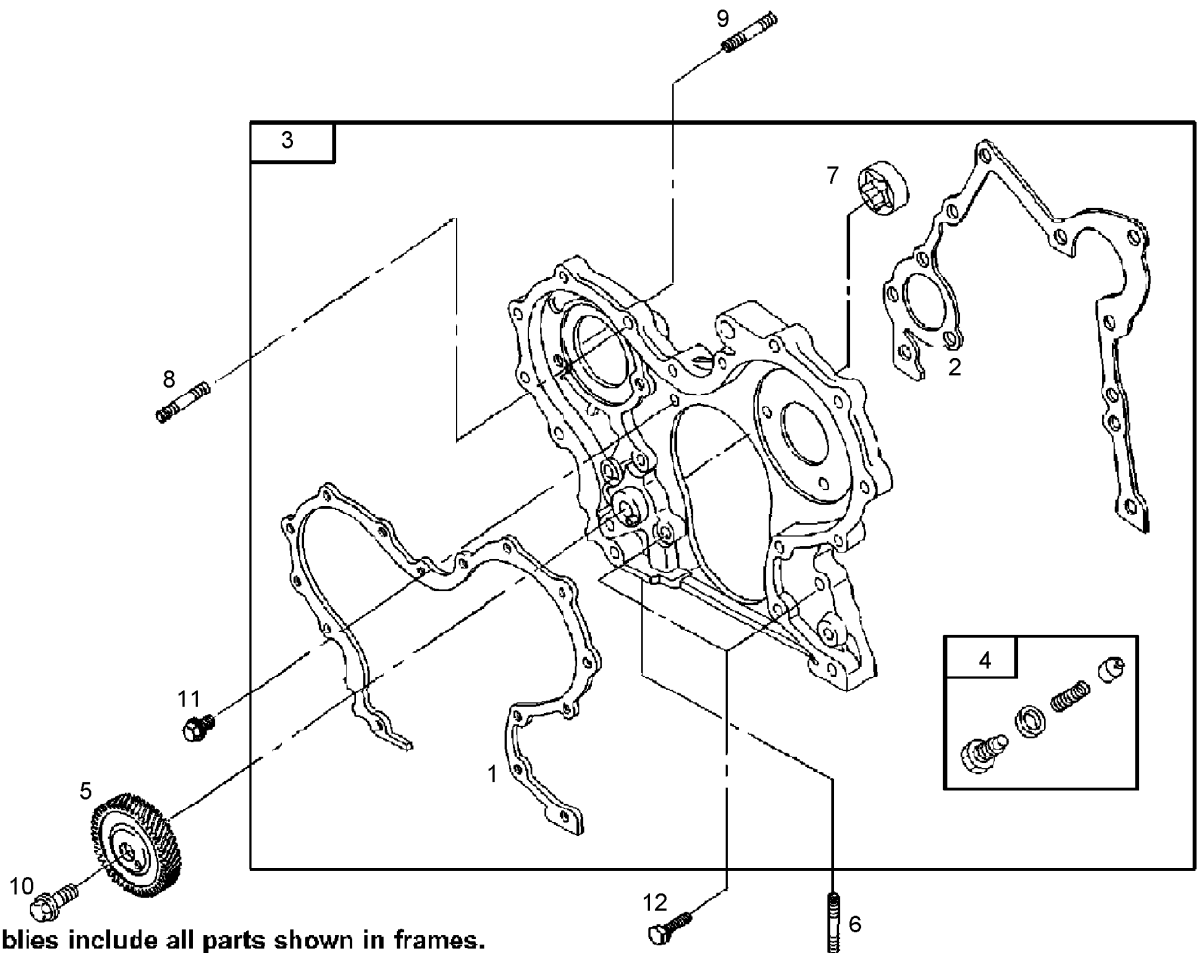
| <i>Ref.</i> | <i>Part Number</i> | <i>Qty.</i> | <i>Description</i>   |
|-------------|--------------------|-------------|----------------------|
| 1           | 99-9247            | 1           | Plug-Drain, Oil      |
| 2           | 107-9908           | 1           | Switch-Pressure, Oil |
| 3           | 99-9249            | 1           | Washer-Seal          |
| 4           | 99-9111            | 1           | Screw-Hex            |
| 5           | 110-2597           | 1           | Dipstick             |
| 6           | 99-9118            | 1           | Tube-Dipstick        |
| 7           | 99-9114            | 1           | Nut-Hex, Metric      |
| 8           | 99-9112            | 1           | Stud-Metric          |
| 9           | 99-9113            | 1           | Nut-Hex, Metric      |
| 10          | 99-9116            | 1           | Screen-Pump, Oil     |
| 11          | 99-9111            | 1           | Screw-Hex            |
| 12          | 99-9120            | 1           | Gasket-Strainer, Oil |
| 13          | 99-9121            | 1           | Gasket-Pan, Oil      |
| 14          | 99-9241            | 1           | Pan-Oil              |



Assemblies include all parts shown in frames.

## Gear Cover Assembly

| <i>Ref.</i> | <i>Part Number</i> | <i>Qty.</i> | <i>Description</i> |
|-------------|--------------------|-------------|--------------------|
| 1           | 115-2318           | 1           | Gasket Kit         |
| 2           | 99-9651            | 1           | Screw-Hex          |
| 3           | 99-9128            | 1           | Screw-Hex          |
| 4           | 99-9129            | 1           | Screw-Hex          |
| 5           | 99-9652            | 1           | Gear Cover ASM     |
| 6           | 99-9653            | 1           | Gasket-Cover, Gear |
| 7           | 99-9014            | 1           | Pin-Locating       |
| 8           | 99-9114            | 1           | Nut-Hex, Metric    |

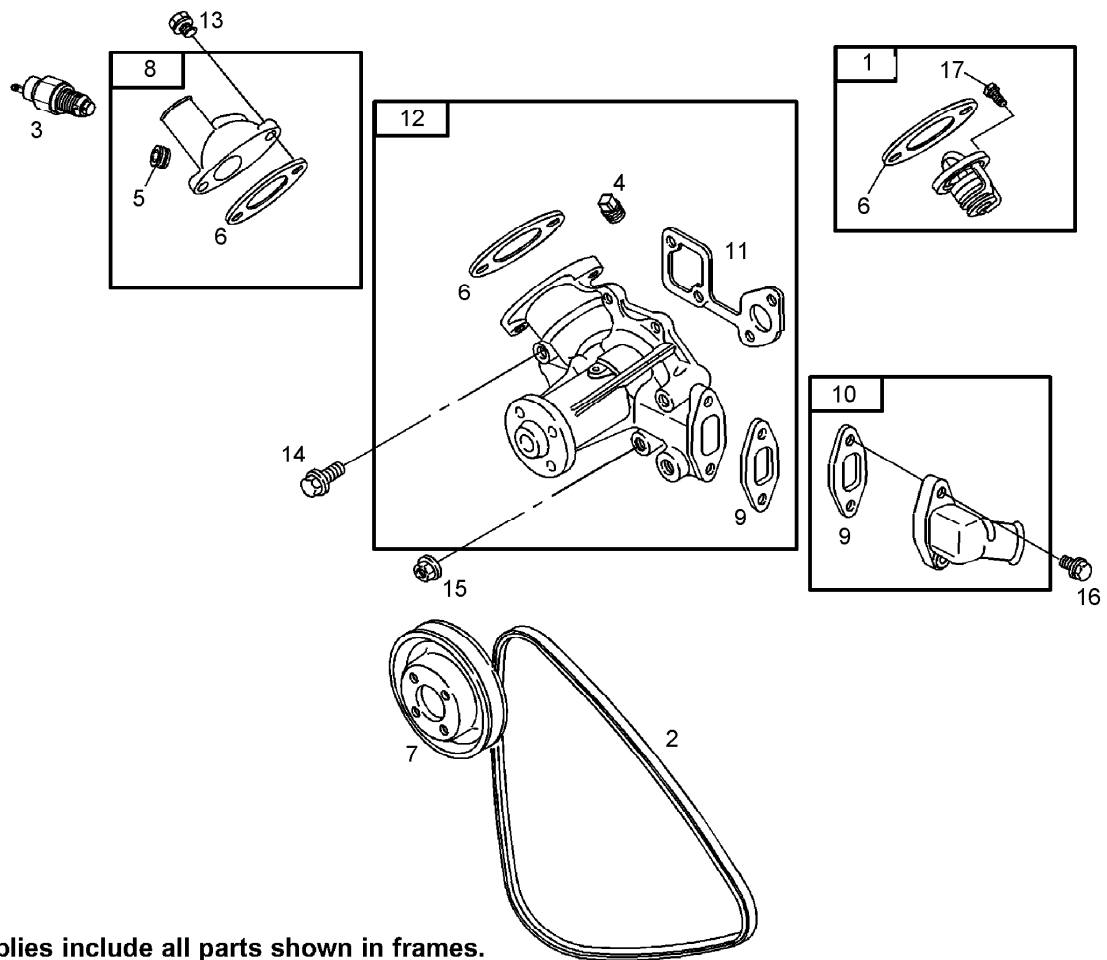


Assemblies include all parts shown in frames.

## Gear Housing Assembly

| <i>Ref.</i> | <i>Part Number</i> | <i>Qty.</i> | <i>Description</i>           |
|-------------|--------------------|-------------|------------------------------|
| 1           | 99-9653            | 1           | Gasket-Cover, Gear           |
| 2           | 99-9136            | 1           | Gasket-Cover, Gear Reduction |
| 3           | 99-9655            | 1           | Housing-Gear                 |
| 4           | 99-9142            | 1           | Valve-Relief, Oil            |
| 5           | 99-9656            | 1           | Gear-Drive                   |
| 6           | 99-9007            | 1           | Stud-Metric                  |
| 7           |                    | 1           | Gerotor ●                    |
| 8           | 99-9137            | 1           | Stud-Metric                  |
| 9           | 99-9654            | 1           | Stud-Metric                  |
| 10          | 99-9135            | 1           | Screw-Hex                    |
| 11          | 99-9134            | 1           | Screw-Hex                    |
| 12          | 99-9133            | 1           | Screw-Hex                    |

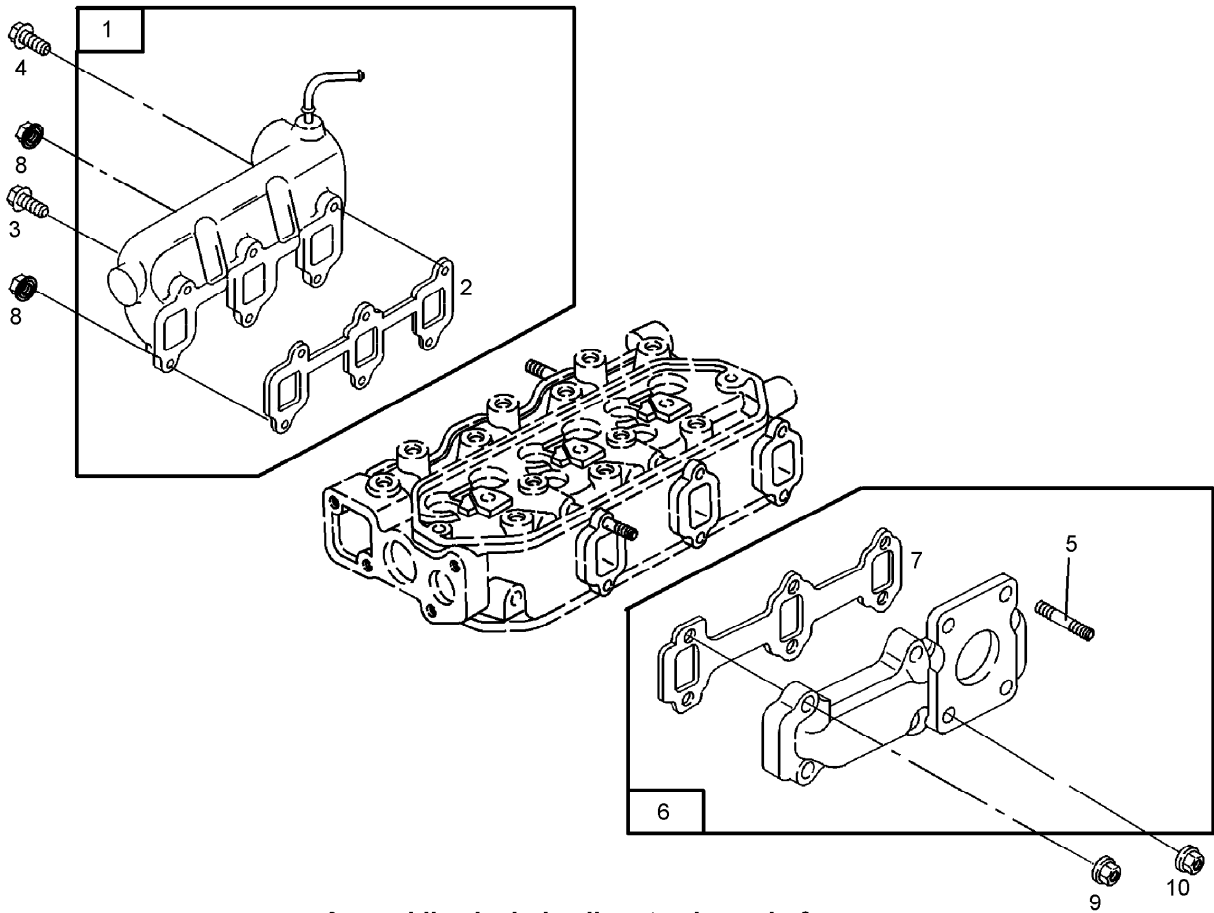
● Not serviced separately



Assemblies include all parts shown in frames.

## Water Pump Assembly

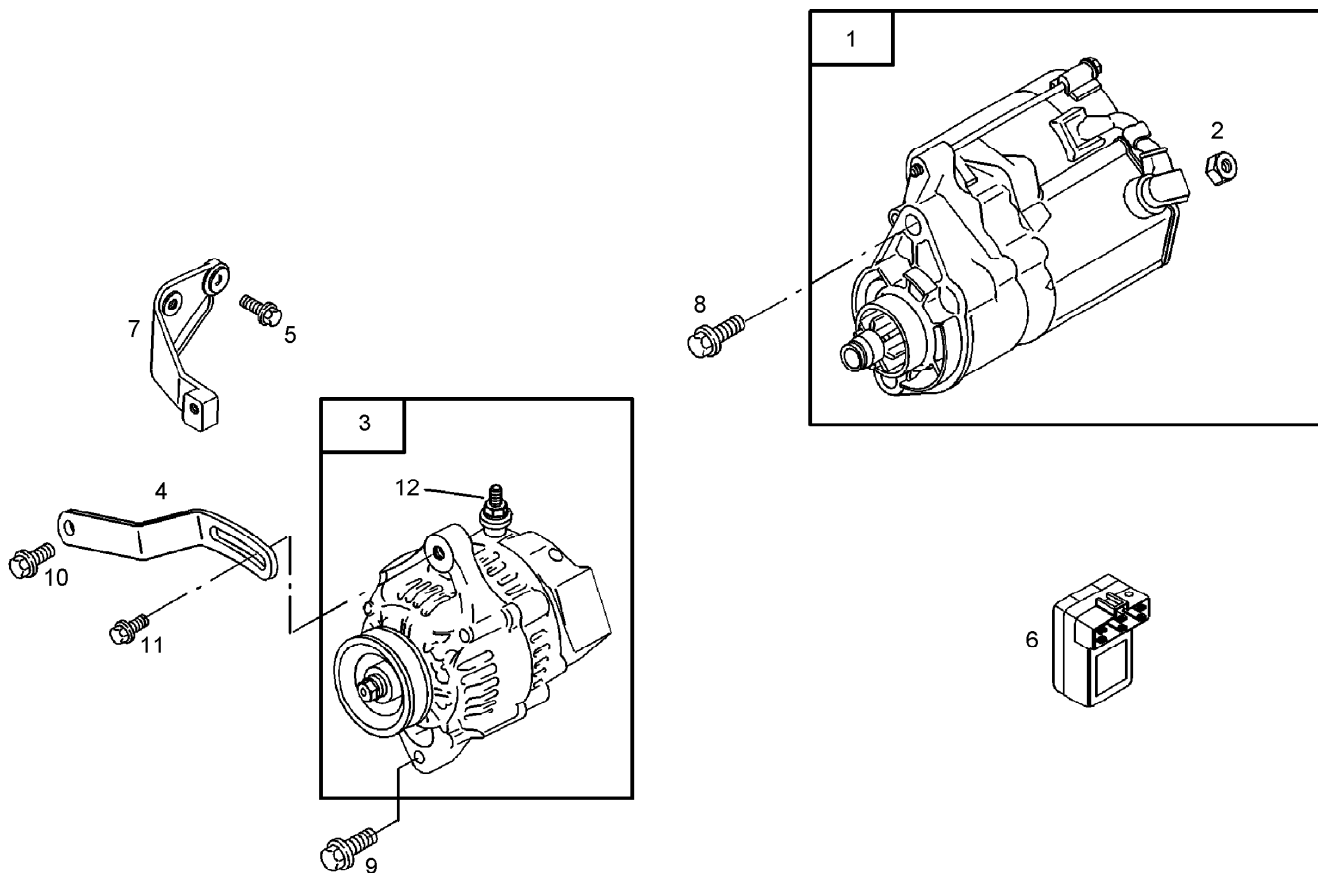
| <i>Ref.</i> | <i>Part Number</i> | <i>Qty.</i> | <i>Description</i>        |
|-------------|--------------------|-------------|---------------------------|
| 1           | 99-9155            | 1           | Thermostat                |
| 2           | 99-9156            | 1           | Belt-V                    |
| 3           | 107-9902           | 1           | Switch-Temperature, Water |
| 4           | 99-9159            | 1           | Plug                      |
| 5           | 99-9158            | 1           | Plug                      |
| 6           | 99-9163            | 1           | Gasket-Housing, Outlet    |
| 7           | 99-9164            | 1           | Pulley-Pump               |
| 8           | 99-9165            | 1           | Housing-Outlet            |
| 9           | 99-9166            | 1           | Gasket-Housing, Inlet     |
| 10          | 99-9167            | 1           | Housing-Inlet             |
| 11          | 99-9168            | 1           | Gasket-Pump, Water        |
| 12          | 99-9659            | 1           | Pump-Water                |
| 13          | 99-9004            | 1           | Screw-Hex                 |
| 14          | 99-9151            | 1           | Screw-Hex                 |
| 15          | 99-9153            | 1           | Nut-Hex, Metric           |
| 16          | 99-9004            | 1           | Screw-Hex                 |
| 17          | 99-9152            | 1           | Screw-Metric              |



Assemblies include all parts shown in frames.

## Manifold Assembly

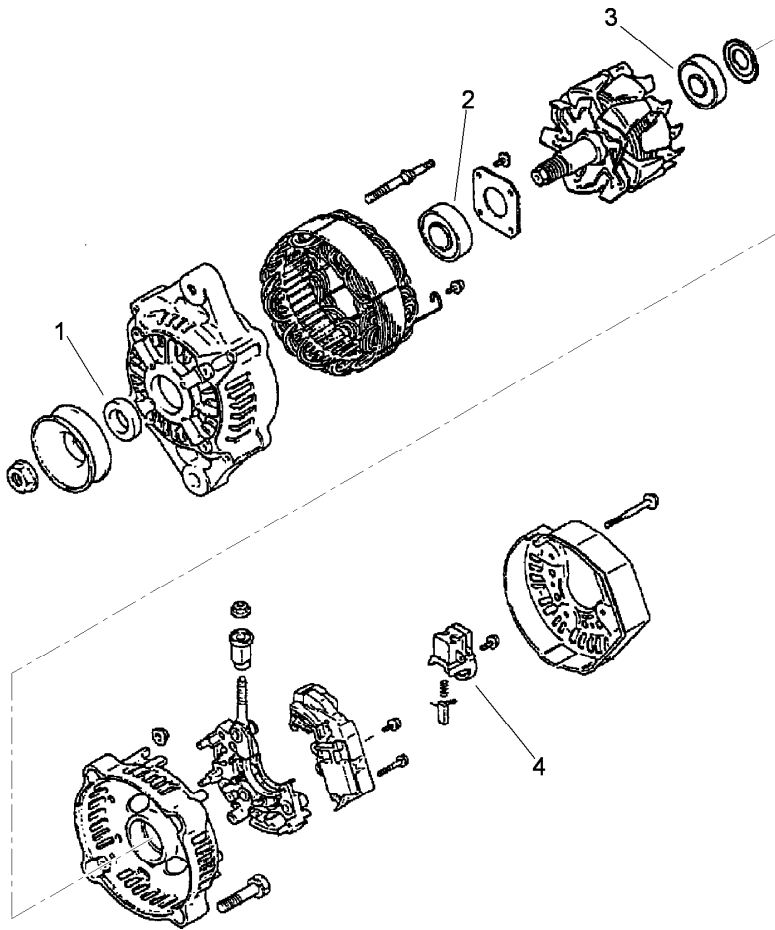
| <i>Ref.</i> | <i>Part Number</i> | <i>Qty.</i> | <i>Description</i>     |
|-------------|--------------------|-------------|------------------------|
| 1           | 99-9661            | 1           | Manifold-Intake        |
| 2           | 99-9662            | 1           | Gasket-Intake          |
| 3           | 99-9004            | 1           | Screw-Hex              |
| 4           | 99-9660            | 1           | Screw-Hex              |
| 5           | 99-9174            | 1           | Stud-Manifold, Exhaust |
| 6           | 99-9177            | 1           | Manifold-Exhaust       |
| 7           | 106-1855           | 1           | Gasket-Exhaust         |
| 8           | 99-9114            | 1           | Nut-Hex, Metric        |
| 9           | 99-9175            | 1           | Nut-Hex, Metric        |
| 10          | 99-9176            | 1           | Nut-Hex                |



Assemblies include all parts shown in frames.

## Starter Motor and Alternator Assembly

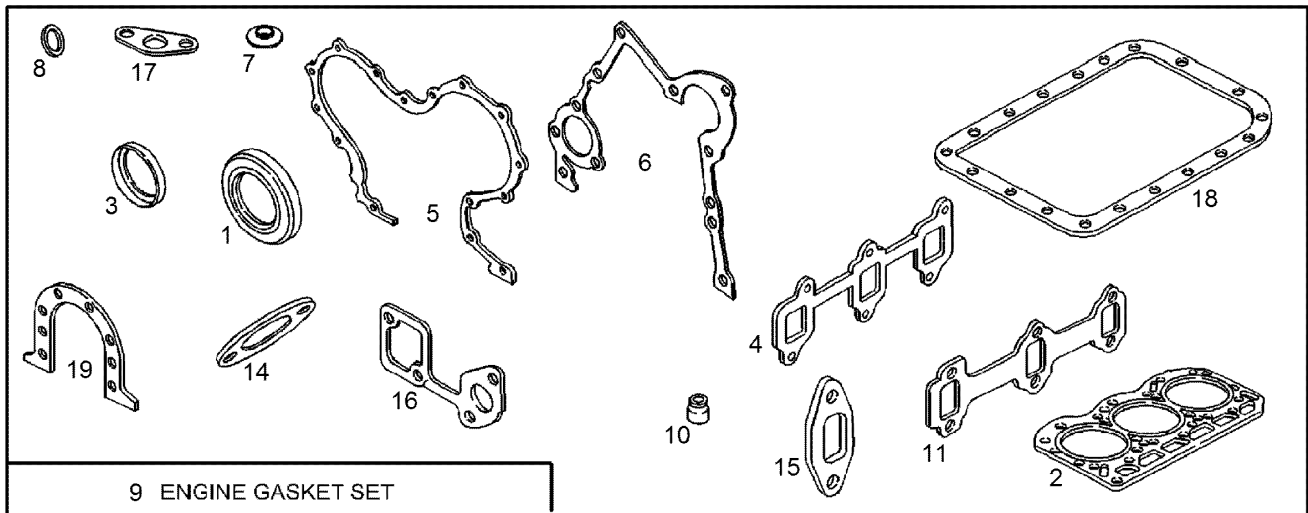
| <i>Ref.</i> | <i>Part Number</i> | <i>Qty.</i> | <i>Description</i> |
|-------------|--------------------|-------------|--------------------|
| 1           | 99-9207            | 1           | Motor-Starter      |
| 2           | 99-9206            | 1           | Nut-Hex, Metric    |
| 3           | 99-9209            | 1           | Alternator         |
| 4           | 106-1952           | 1           | Strap-Adjusting    |
| 5           | 99-9203            | 1           | Screw-Hex          |
| 6           | 99-9666            | 1           | Module             |
| 7           | 99-9211            | 1           | Bracket-Support    |
| 8           | 99-9201            | 1           | Screw-Hex          |
| 9           | 99-9205            | 1           | Screw-Hex, Metric  |
| 10          | 99-9202            | 1           | Screw-Hex          |
| 11          | 107-9903           | 1           | Screw-Hex, Metric  |
| 12          | 99-9114            | 1           | Nut-Hex, Metric    |



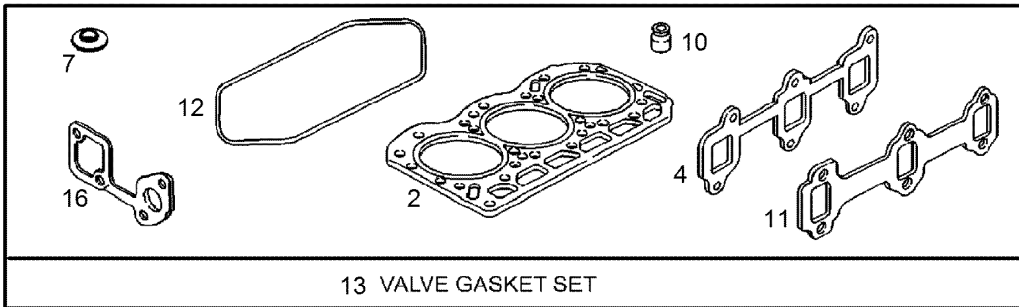
Parts not listed in parts list are not serviced separately

## Alternator Assembly No. 99-9209

| <i>Ref.</i> | <i>Part Number</i> | <i>Qty.</i> | <i>Description</i> |
|-------------|--------------------|-------------|--------------------|
| 1           | 100-5315           | 1           | Collar             |
| 2           | 100-5316           | 1           | Bearing            |
| 3           | 100-5317           | 1           | Bearing            |
| 4           | 100-5318           | 1           | Brush Holder ASM   |



9 ENGINE GASKET SET



13 VALVE GASKET SET

Assemblies include all parts shown in frames

## Gasket Assembly

| <i>Ref.</i> | <i>Part Number</i> | <i>Qty.</i> | <i>Description</i>           | <i>Ref.</i> | <i>Part Number</i> | <i>Qty.</i> | <i>Description</i>     |
|-------------|--------------------|-------------|------------------------------|-------------|--------------------|-------------|------------------------|
| 1           | 99-9003            | 1           | Seal-Oil                     | 10          | 99-9643            | 1           | Seal-Valve             |
| 2           | 107-9898           | 1           | Gasket-Head, Cylinder        | 11          | 106-1855           | 1           | Gasket-Exhaust         |
| 3           | 115-2318           | 1           | Gasket Kit                   | 12          | 99-9073            | 1           | Gasket-Cover, Rocker   |
| 4           | 99-9662            | 1           | Gasket-Intake                | 13          | 107-9907           | 1           | Valve Overhaul Kit     |
| 5           | 99-9653            | 1           | Gasket-Cover, Gear           | 14          | 99-9163            | 1           | Gasket-Housing, Outlet |
| 6           | 99-9136            | 1           | Gasket-Cover, Gear Reduction | 15          | 99-9166            | 1           | Gasket-Housing, Inlet  |
| 7           | 99-9063            | 1           | Washer-Seal                  | 16          | 99-9168            | 1           | Gasket-Pump, Water     |
| 8           | 99-9249            | 1           | Washer-Seal                  | 17          | 99-9120            | 1           | Gasket-Strainer, Oil   |
| 9           | 107-9906           | 1           | Gasket Set                   | 18          | 99-9121            | 1           | Gasket-Pan, Oil        |
|             |                    |             |                              | 19          | 99-9021            | 1           | Gasket-Retainer        |

# Attachments and Accessories

## For 74269 Z590-D Z Master With 72in TURBO FORCE Side Discharge Mower

| <b>Product Name</b>                    | <b>Model/Part</b> |
|--|-------------------|
| Spark Arrester Kit .....               | 105-1673          |
| Blade-Mid Flow, 24.5 inch.....         | 105-7711-03       |
| Blade-Lo Flow, 24.5 inch.....          | 105-7712-03       |
| Blade-Atomic, 24.5 inch.....           | 105-7719-03       |
| Blade-Recycler, 24.5 inch.....         | 105-7778-03       |
| Blade-Hi Flow, 24.5 inch .....         | 105-7784-03       |
| Recycler Kit .....                     | 107-1612          |
| Striping Kit .....                     | 107-1630          |
| Turbo Baffle Kit .....                 | 107-1634          |
| Light Kit.....                         | 107-9880          |
| 6 Pack Blade, 24.5 inch Hi-Flow .....  | 108-1120          |
| 6 Pack Blade, 24.5 inch Atomic .....   | 108-1126          |
| Roller Striping Kit.....               | 108-2162          |
| 6 Pack-Blade, 24.5 inch Mid-Flow.....  | 110-0404          |
| 6 Pack-Blade, 24.5 inch Lo-Flow .....  | 110-0410          |
| 6 Pack-Blade, 24.5 inch Recycler ..... | 110-0411          |
| Hitch Kit .....                        | 110-0444          |
| Cool Top ROPS Mounted Fan.....         | 110-1996          |
| Hypr-Oil 500 (quart) .....             | 114-4713          |
| Hypr-Oil 500 (gallon).....             | 114-4714          |
| Hypr-Oil 500-5 (5 gallon).....         | 114-4715          |
| Bimini Folding Shade Assembly .....    | 115-4510          |
| Chute Gate Kit .....                   | 78522             |
| Deck Triple Bag Assembly .....         | 78535             |
| Blower and Drive Kit .....             | 78539             |
| DFS E-Z Vac Bagger .....               | 78545             |
| Filter Minder Gauge .....              | 99-4664           |

**Notes:**

**Notes:**



**Count on it.**