



Count on it.

Parts Catalog

**Z590-D Z Master[®], With 60in
TURBO FORCE[®] Side Discharge
Mower**

Model No. 74268—Serial No. 311000001 and Up

Ordering Replacement Parts

To order replacement parts, please supply the part number, the quantity, and the description of each part desired.

Understanding Reference Numbers

Each identified part in an illustration has a reference number. The reference number for a part also appears in the parts list, along with other information about the part.

This catalog uses two special reference number formats, one to indicate parts in a service assembly and another to indicate the quantity of a given part in an illustration.

Service Assembly Reference Numbers

Parts in service assemblies have reference numbers in the form a:b. The a represents the reference number of the entire service assembly and the b represents a sequential number unique to each part within the service assembly.

For example, a wheel assembly might be identified by reference number 6, the tire by 6:1, the valve by 6:2, and the wheel by 6:3. When you order the assembly identified by reference number 6, you receive all parts identified by reference numbers 6:1, 6:2, and 6:3. However, you may also order any part individually. Reference numbers of this type appear in illustration and in parts lists.

Reference Numbers Indicating Quantity

In an illustration, if a reference number indicates more than one part, the reference number has the form nX y. The n represents the quantity of the part, the X is the multiplication symbol, and the y represents the reference number.

For example, in an illustration, the reference number 2X 37 means that two of the parts identified by reference number 37 are indicated.

List of Abbreviations

AR: as required

ASM: assembly

BBC: blade brake control

BHTF: button head thread forming

CARR: carriage

CCW: counter clockwise

CW: clockwise

DEG: degrees

DPA: Dual Point Adjustment

ECM: electronic control module

EXT: external

FH: flat head

GA: gauge

HD: heavy-duty

HF: hex flange

HH: hex head

HHF: hex head flange

HHFTF: hex head flange thread forming

HJ: hex jam

HLH: hex lag head

HOC: height-of-cut

HSBH: hex socket button head

HSFH: hex socket flat head

HSH: hex socket head

HWH: hex washer head

HWHTF: hex washer head thread forming

HYD: hydraulic

LH: left hand

LP: Liquid Propane

NI: nylon insert

NPTF: national pipe thread fine

PFH: phillips flat head

PPH: phillips pan head

PPHTF: phillips pan head thread forming

PRH: phillips round head

PTH: phillips truss head

PTO: power-take-off

RH: right hand

ROPS: roll-over protection system

RRB: rear roller brush

SFH: slotted fillister head

SHH: slotted hex head

SHWH: slotted hex washer head

SPH: slotted pan head

SQH: square head

SRH: slotted round head

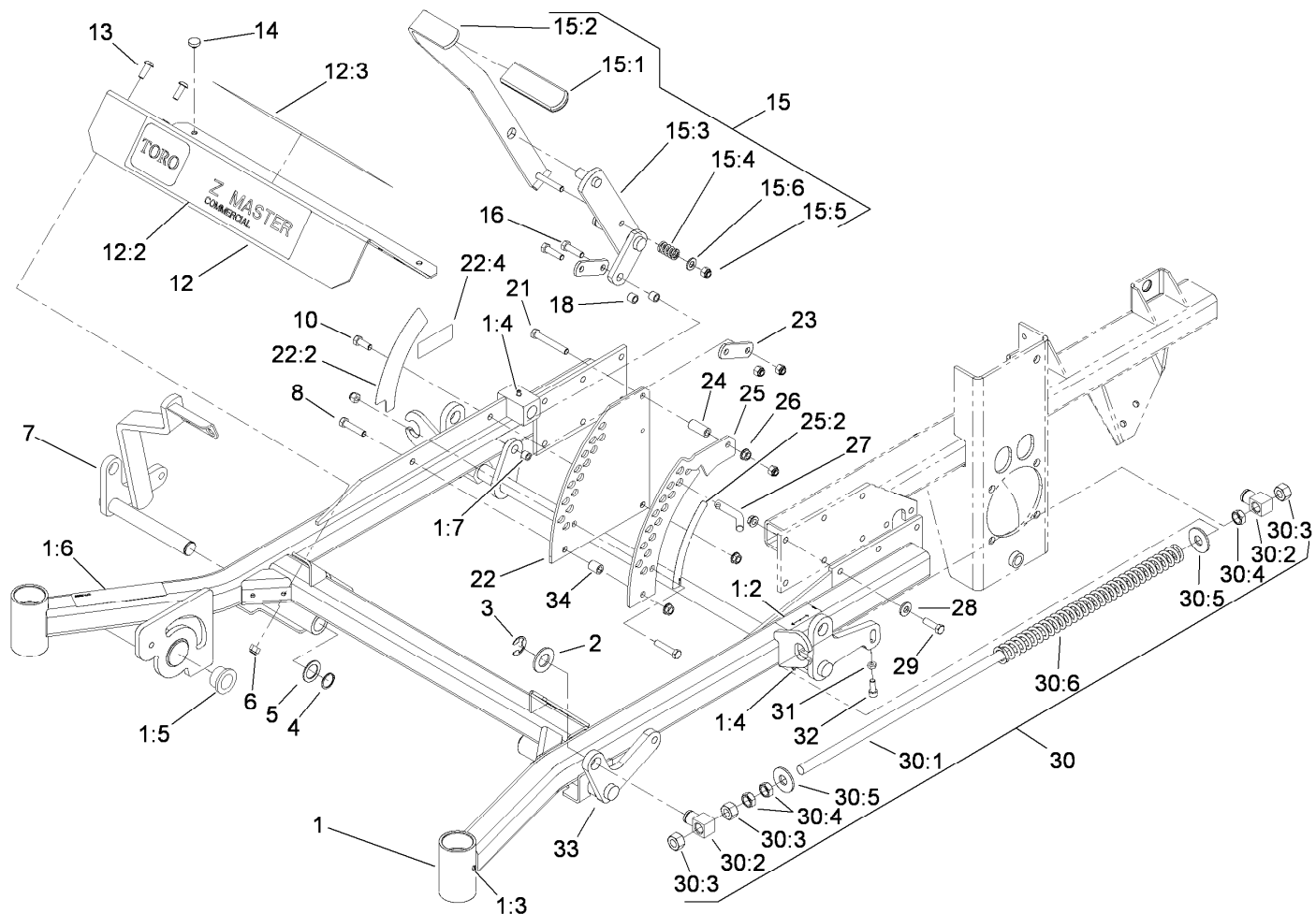
STD: standard

TAP: self tapping

TTH: torx truss head

Contents

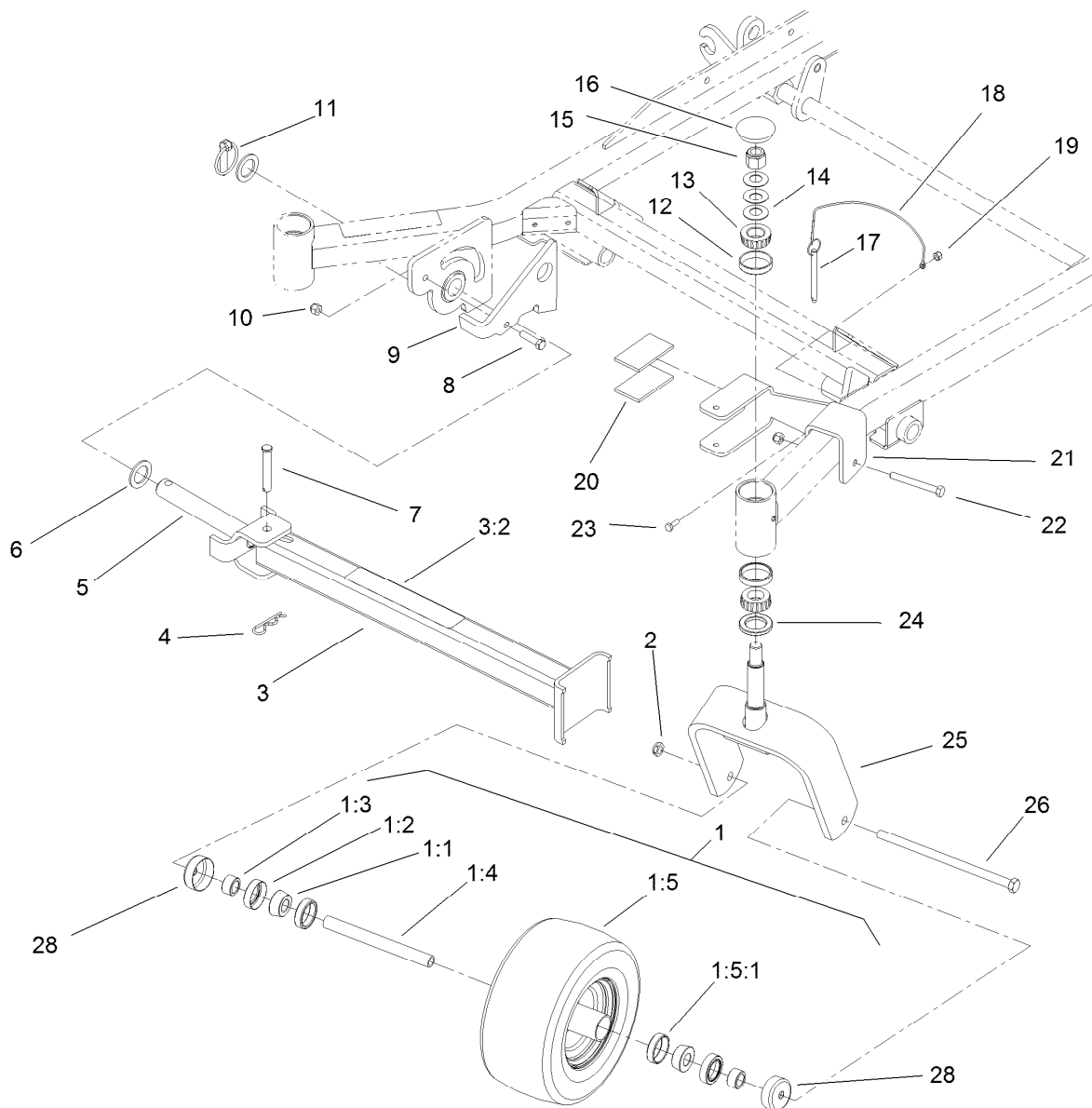
Front Frame Assembly	4
Caster Wheel and Z Stand Assembly	5
Engine Frame, Console and Floor Pan Assembly	6
Seat and Roll-Over Protection System Assembly	7
Deluxe Seat Assembly No. 110-0838	8
Roll-Over Protection System Assembly No. 106-7437	9
Wheel and Brake Assembly	10
Motion Control Assembly	11
RH Motion Control Assembly No. 109-3978	12
LH Motion Control Assembly No. 109-3979	13
Engine Mount Assembly	14
Wheel Pump Drive Assembly	15
Hydraulic Pump Assembly No. 103-2978	16
Hydraulic Pump Assembly No. 103-2979	17
Deck Belt Drive Assembly	18
Cooling Pump Drive Assembly	19
Hydraulic System Assembly	20
Tank and Fuel Line Assembly	22
Front and Rear Engine Cover Assembly	24
Cooling System Assembly	26
Hood Assembly	28
Deck Connection Assembly	29
Deck Assembly	30
Pulley and Bearing Assembly No. 114-0210	32
Spindle Assembly No. 119-8560	33
Lever Assembly No. 107-1664	34
Rubber Deflector Assembly No. 108-2792	35
Deck Decal Assembly No. 117-3857	36
Electrical Assembly	37
Cylinder Assembly	38
Crankshaft Assembly	39
Cylinder Head Assembly	40
Injection Pump Assembly	41
Camshaft Assembly	42
Oil Pan Assembly	43
Gear Cover Assembly	44
Gear Housing Assembly	45
Water Pump Assembly	46
Manifold Assembly	47
Starter Motor and Alternator Assembly	48
Alternator Assembly No. 99-9209	49
Gasket Assembly	50
Attachments and Accessories	51



Front Frame Assembly

Ref.	Part Number	Qty.	Description	Ref.	Part Number	Qty.	Description
1	106-8998	1	Frame ASM	15:6	3256-24	1	Washer-Flat
1:2	107-1857	1	Decal-Brake, Parking	16	323-29	2	Screw-HH
1:3	1-811010	2	Plug	18	103-1918	2	Bushing
1:4	302-19	5	Fitting-Grease	21	323-11	1	Screw-HH
1:5	94-1291	2	Bushing	22	117-0366	1	Plate-HOC, Outer
1:6	104-7759	1	Decal-Warning	22:2	107-1860	1	Decal-Height, Deck
1:7	103-1918	1	Bushing	22:4	117-2718	1	Decal-Arrester, Spark
2	3256-29	4	Washer-Flat	23	1-633068	2	Arm-Lift, Deck
3	32151-103	5	Ring-Retaining, EXT	24	1-633082	1	Bushing-Lever, Lift
4	32151-29	2	Ring-Retaining	25	117-0369	1	Plate-HOC, Inner
5	1-523157	2	Washer-Spacer	25:2	107-1861	1	Decal-Height, Deck
6	3296-39	8	Nut-Lock, NI	26	3290-357	15	Nut-HHF, Whiz
7	108-7786-01	1	RH Front Deck Lift ASM	27	109-8757	1	Pin-HOC
8	323-9	2	Screw-HH	28	98-5975	12	Washer-Belleville
10	323-6	1	Screw-HH	29	323-7	12	Screw-HH
12	106-9981	1	Footrest	30		2	Front Frame Spring ASM ●
12:2	106-7451	1	Decal	30:1	1-633096	1	Rod-Lift, Deck
12:3	107-2112	1	Decal-Warning	30:2	1-633441	2	Swivel-Deck Mount, Rear
13	3274-94	4	Screw-HSBH	30:3	3217-11	3	Nut-Hex
14	1-513658	2	Bumper	30:4	3218-6	3	Nut-Jam
15	110-5860	1	Deck Lift Handle ASM	30:5	3256-7	2	Washer-Flat
15:1	1-633295	1	Grip-Lever, Lift	30:6	1-643015	1	Spring-Support, Deck
15:2	103-2083	1	Lever-Lift	31	3218-2	2	Nut-Jam
15:3	103-2064	1	Arm-Lift, Deck	32	3274-18	2	Screw-HSH
15:4	1-633325	1	Spring-Compression	33	106-8984-01	1	LH Deck Lift ASM
15:5	3296-39	1	Nut-Lock, NI	34	1-633080	1	Bushing-Lever, Lift

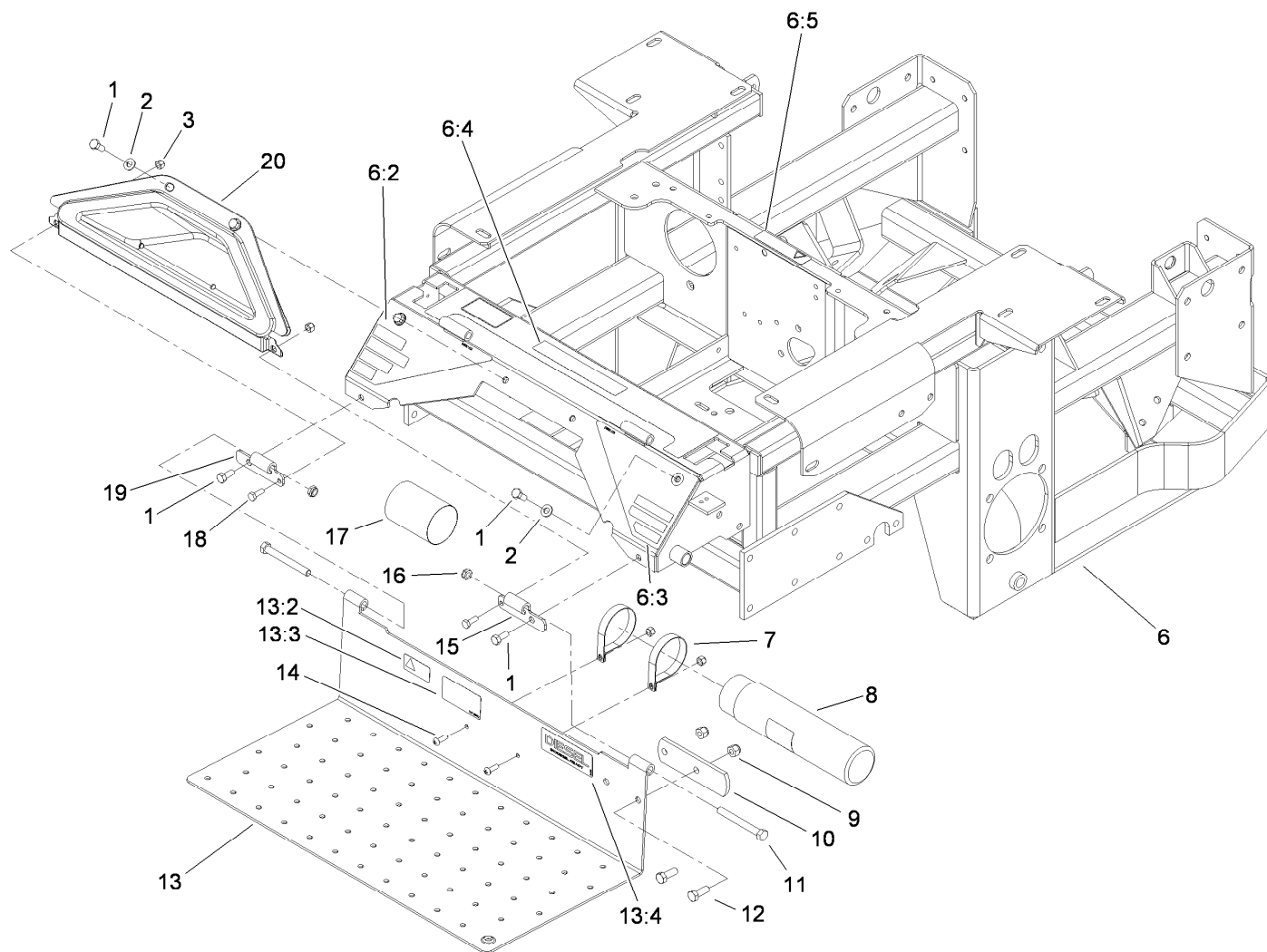
● Not serviced separately



Caster Wheel and Z Stand Assembly

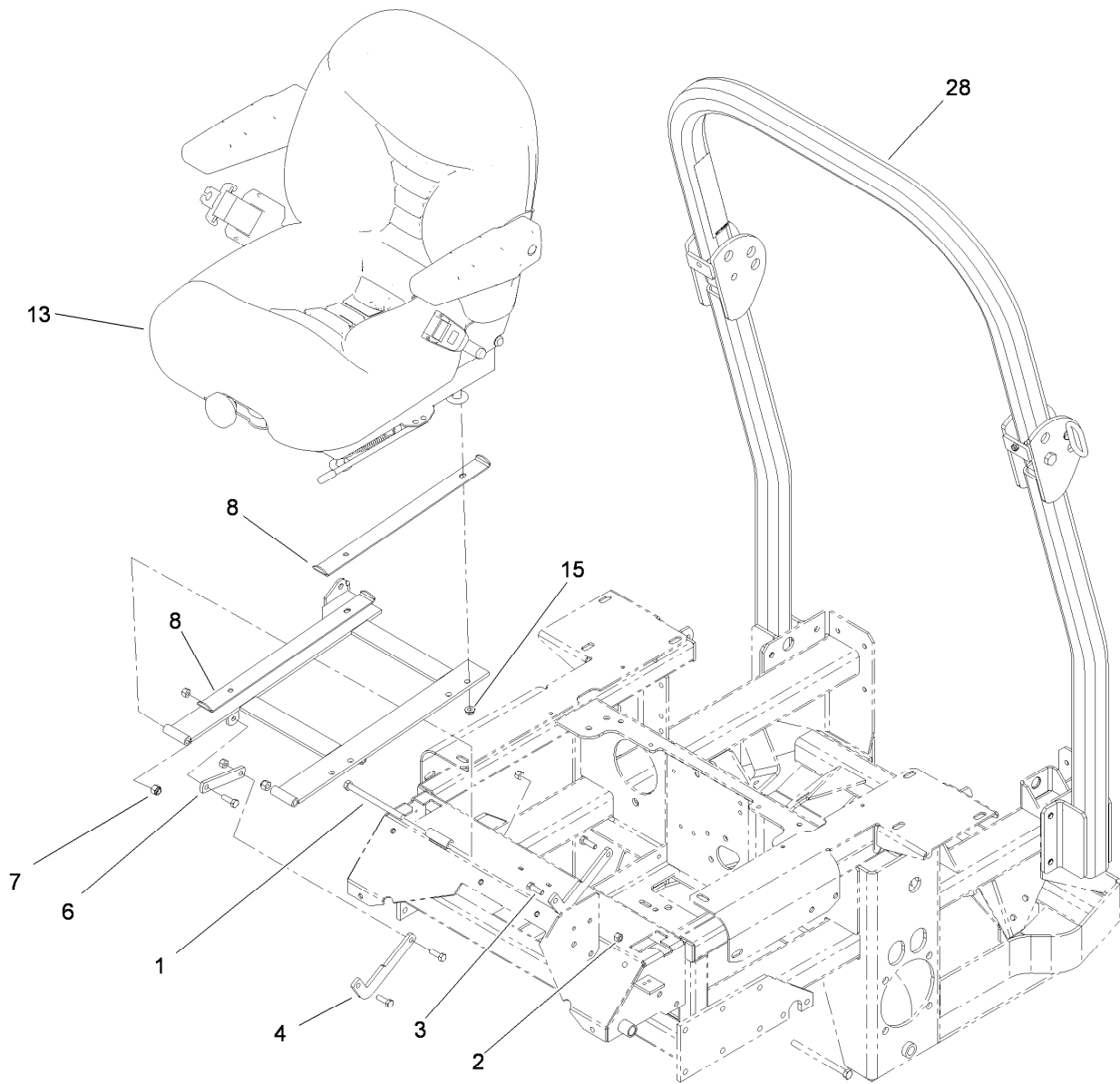
Ref.	Part Number	Qty.	Description
1	109-9125	2	Wheel And Tire ASM
1:1	1-633585	2	Bearing-Cone, Taper
1:2	103-0063	2	Seal-Caster
1:3	103-3051	2	Spacer-Nut
1:4	103-5156	1	Axle-Caster
1:5	109-9124	1	Wheel And Tire ASM
1:5:1	1-633584	1	Bearing-Cup
2	3296-23	2	Nut-Lock, NI
3	107-1874	1	Leg ASM
3:2	106-7464	1	Decal-Z Stand
4	3290-355	1	Pin-Hair
5	100-9692-01	1	Pivot Pin ASM
6	3-6781	2	Washer-Thrust
7	283-55	1	Pin-Clevis
8	323-8	1	Screw-HH
9	100-9686-01	1	Bracket-Latch
10	3296-39	2	Nut-Lock, NI

Ref.	Part Number	Qty.	Description
11	283-71	1	Pin-Lynch
12	254-72	4	Bearing-Cup, Tapered
13	254-94	4	Bearing-Cone, Tapered
14	1-633508	6	Washer-Bellville
15	3296-51	2	Nut-Lock, NI
16	103-4882	2	Cap-Grease
17	105-1647	1	Pin-Hitch, Cotterless
18	100-9385	1	Lanyard-Nylon
19	3296-42	1	Nut-Lock, NI
20	100-6547	2	Cushion-Rubber
21	100-6542-01	1	Bracket-Cradle
22	323-20	1	Screw-HH
23	321-4	1	Screw-HH
24	1-543511	2	Seal-Grease
25	103-1474-01	2	Caster-Fork
26	325-39	2	Screw-HH
28	103-2768	2	Guard-Seal



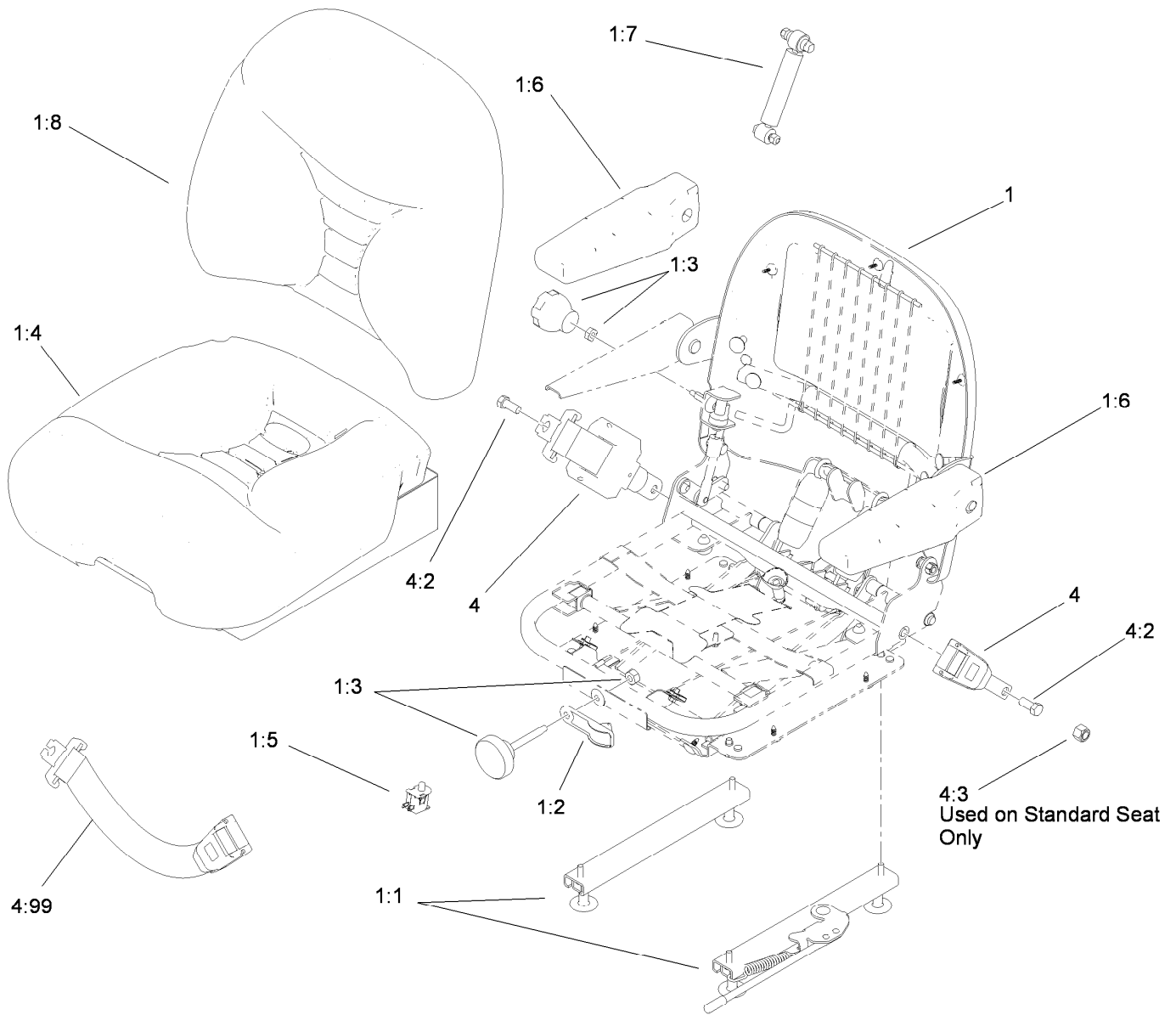
Engine Frame, Console and Floor Pan Assembly

<i>Ref.</i>	<i>Part Number</i>	<i>Qty.</i>	<i>Description</i>	<i>Ref.</i>	<i>Part Number</i>	<i>Qty.</i>	<i>Description</i>
1	322-43	6	Screw-HH	12	323-6	2	Screw-HH
2	3256-70	4	Washer-Flat	13	115-3852	1	Floor Pan ASM
3	3296-42	4	Nut-Lock, NI	13:2	98-4387	1	Decal-Protection, Ear
6	115-3551	1	Engine Frame ASM	13:3	107-1864	1	Decal-Location, Manual
6:2	106-9989	1	Decal-Warning	13:4	114-5879	1	Decal-Diesel, Bio-Ready
6:3	106-7492	1	Decal-Danger	14	3258-166	2	Screw-PRH
6:4	107-9866	1	Decal-Console, Top	15	106-7488-03	1	Hinge-Floorpan, LH
6:5	98-5954	2	Decal-Cover, Missing	16	3296-59	2	Nut-Lock, NI
7	107-1865	2	R-Clamp	17	104-7048	1	Cap-Housing
8	104-7050	1	Tube-Manual	18	321-4	2	Screw-HH
9	3296-39	2	Nut-Lock, NI	19	106-7489-03	1	Hinge-Floorpan, RH
10	1-633964-03	1	Stop-Brake, Park	20	106-7498	1	Pocket
11	323-20	2	Screw-HH				



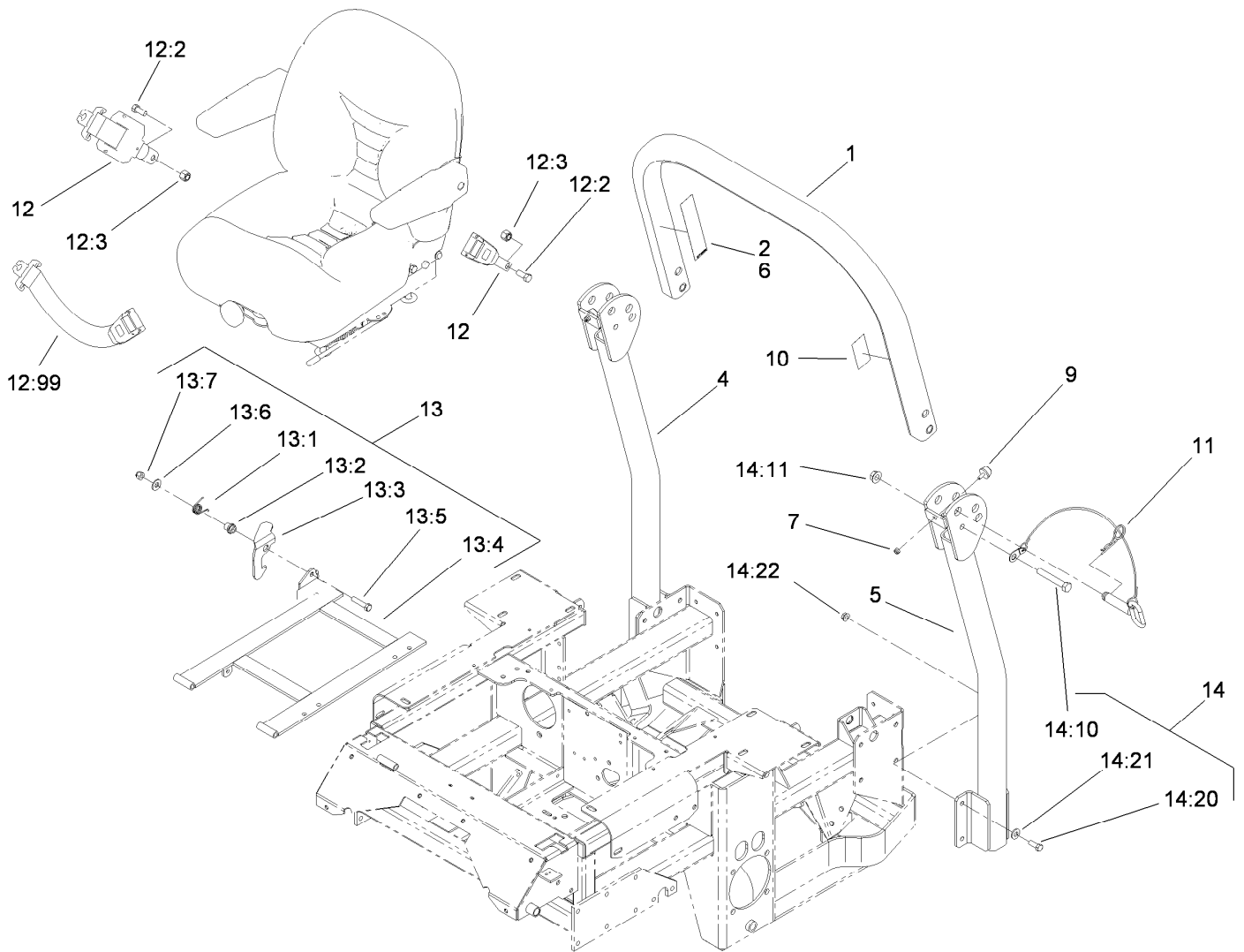
Seat and Roll-Over Protection System Assembly

<i>Ref.</i>	<i>Part Number</i>	<i>Qty.</i>	<i>Description</i>
1	323-39	2	Screw-HH
2	3296-29	4	Nut-Lock, NI
3	322-5	5	Screw-HH
4	109-2759	2	Link-Stop, Seat
6	103-5161	2	Link-Stop, Seat
7	3296-39	2	Nut-Lock, NI
8	1-633872-03	2	Stop-Seat
13	110-0838	1	Deluxe Seat ASM
15	32128-20	4	Nut-HF
28	106-7437	1	ROPS ASM



Deluxe Seat Assembly No. 110-0838

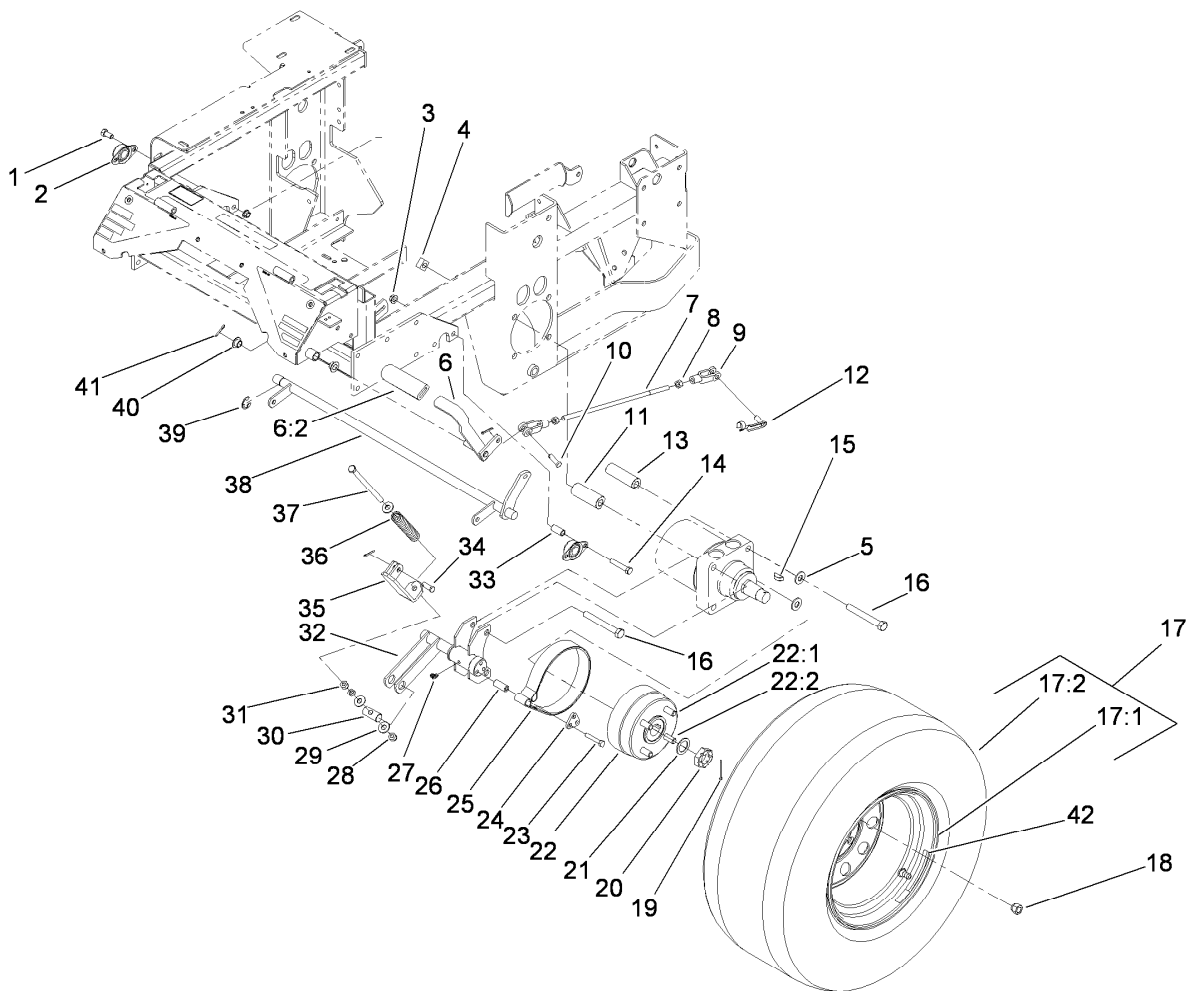
Ref.	Part Number	Qty.	Description
1	112-8355	1	Seat-Suspension
1:1	107-1880	1	Seat Track Kit
1:2	107-1885	1	Weight Indicator Kit
1:3	107-1881	1	Knob Kit
1:4	107-1883	1	Bottom Cushion Kit
1:5	82-2190	1	Switch-Bail
1:6	107-1887	1	Armrest Kit
1:7	107-1884	1	Shock Absorber Kit
1:8	112-8356	1	Cushion-Back
4	110-0883	1	Retractable Seatbelt Kit
4:2	3212-4	2	Screw-HH
4:3	3296-7	2	Nut-Lock
4:99	109-6226	1	Seat Belt Extension Kit



Roll-Over Protection System Assembly No. 106-7437

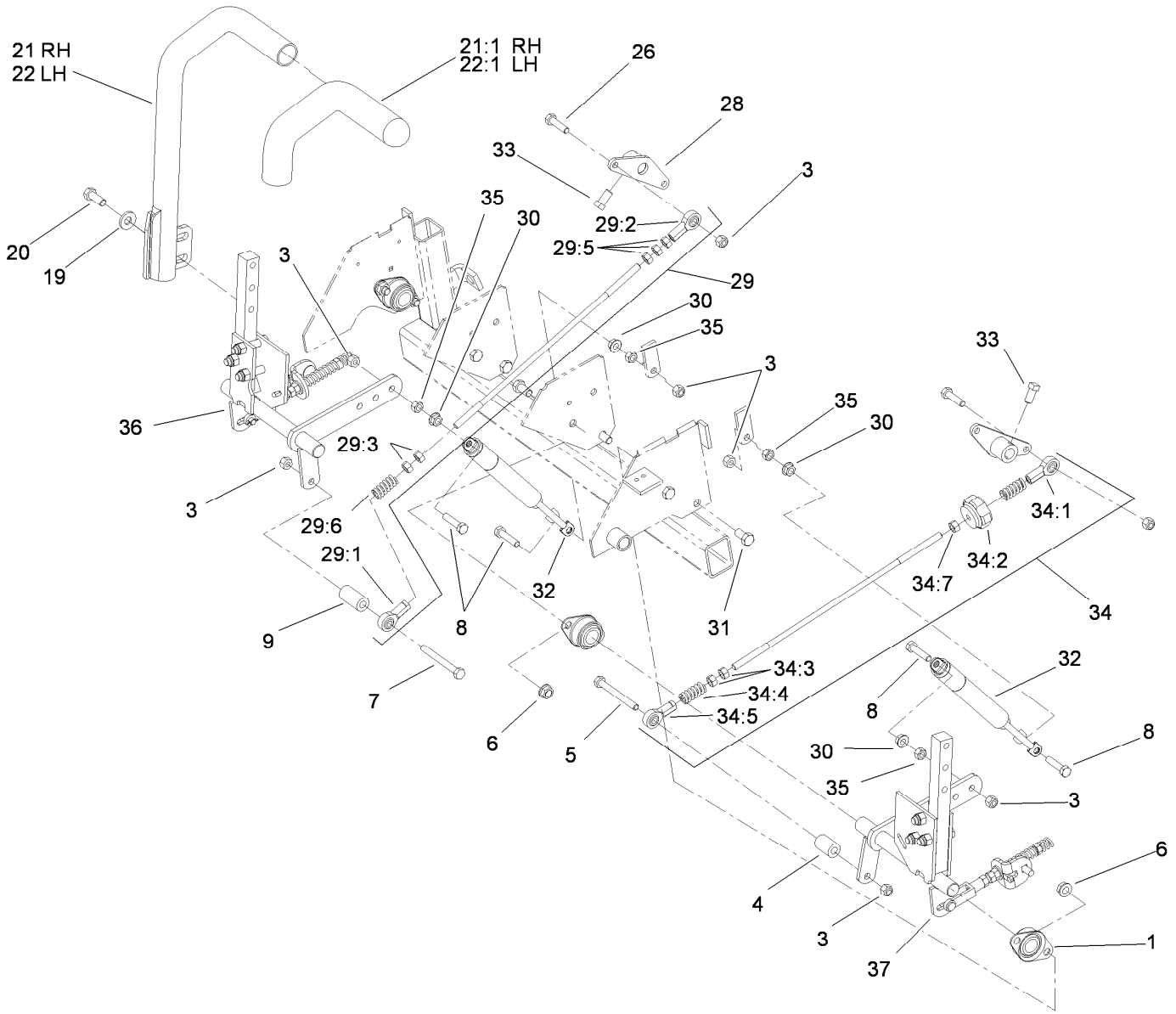
Ref.	Part Number	Qty.	Description	Ref.	Part Number	Qty.	Description
1		1	Upper Tube ASM ●	13	109-1813	1	Seat Frame Single Latch ASM
2	107-2102	1	Decal-Warning, Folding ROPS	13:1	103-5520	1	Catch-Latch, Single
4		1	Tube-Support, RH ●	13:2	103-5519	1	Spring-Torsion, Latch
5		1	Tube-Support, LH ●	13:3	107-0075	1	Bushing-Latch, Seat
6	107-3069	1	Decal-Warning, Folding ROPS	13:4	109-9222-03	1	Frame-Seat
7	3296-73	2	Nut-Lock, NI	13:5	3256-4	1	Washer-Flat
9	109-2365	2	Rubber Bumper ASM (W/Stud)	13:6	3296-39	1	Nut-Lock, NI
10	107-2101	1	Decal-ROPS	13:7	323-9	1	Screw-HH
11	103-4553	2	ROPS Fold Pin ASM	14		1	Bag-Bolt ●
12	110-0883	1	Retractable Seatbelt Kit	14:10	325-13	2	Screw-HH
12:2	3212-4	2	Screw-HH	14:11	32128-23	2	Nut-HF
12:3	3296-7	2	Nut-Lock	14:20	323-8	8	Screw-HH
12:99	109-6226	1	Seat Belt Extension Kit	14:21	98-5975	8	Washer-Belleville
				14:22	3290-357	8	Nut-HHF, Whiz

● Not serviced separately



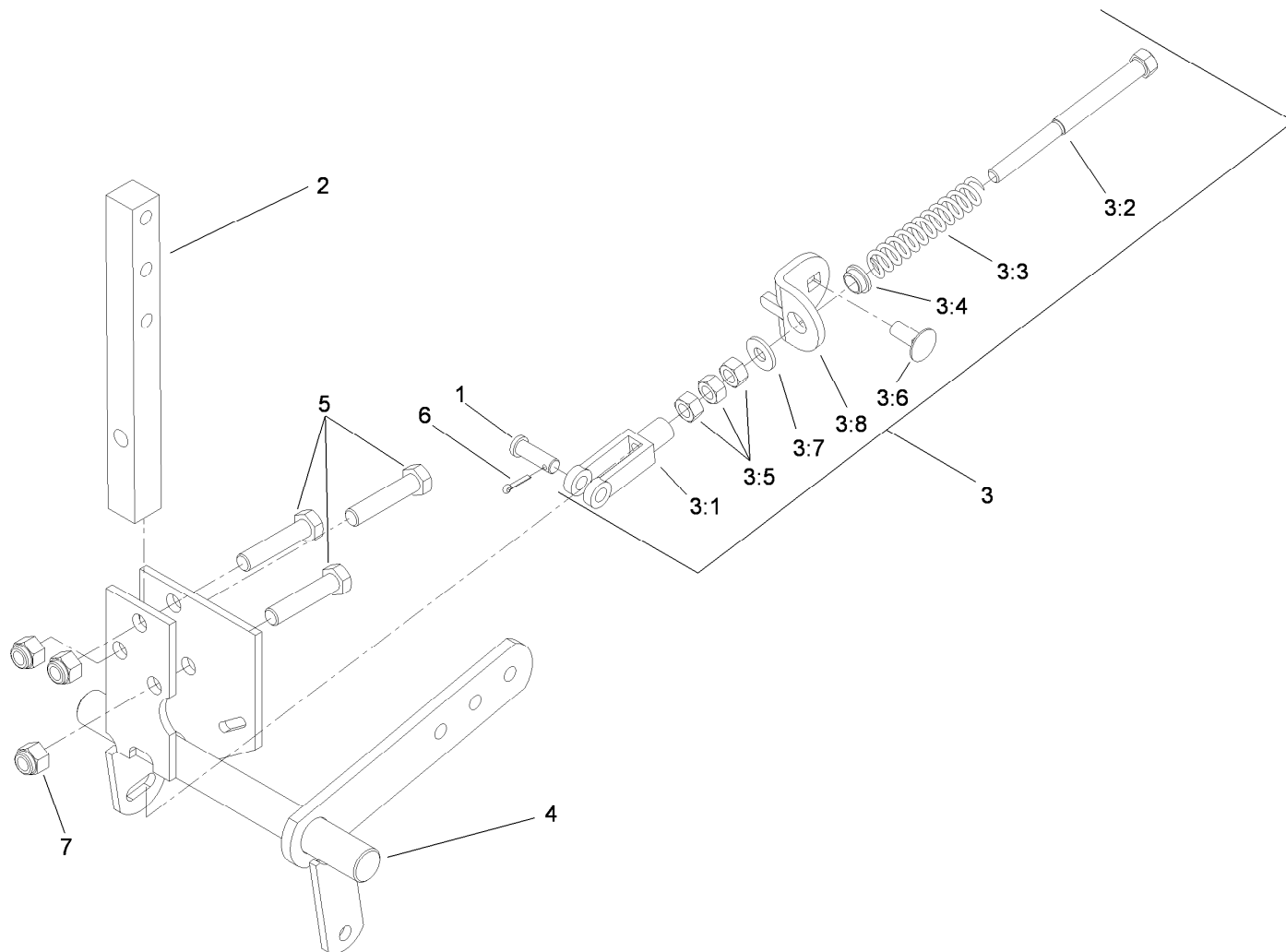
Wheel and Brake Assembly

Ref.	Part Number	Qty.	Description	Ref.	Part Number	Qty.	Description
1	323-4	2	Screw-HH	22	103-0590	2	Hub And Wheel ASM
2	1-633102	2	Bearing-Flange, Side	22:1	103-0589	1	Wheel Hub ASM
3	3290-357	4	Nut-HHF, Whiz	22:2	1-633926	4	Stud-Wheel
4	109-5618	8	Nut-Square, Special	23	322-9	6	Screw-HH
5	87-7270	4	Washer-Thrust	24	103-0374	2	Retainer-Band, Brake
6	103-0197	1	Brake Lever And Grip ASM	25	103-0355	2	Band-Brake
6:2	1-633268	1	Grip-Lever	26	103-0384	6	Spacer
7	103-1708	1	Rod-Brake	27	1481	2	Fitting-Grease
8	3219-3	2	Nut-Hex	28	3296-39	4	Nut-Lock, NI
9	1-633131	2	Yoke-Linkage, Brake	29	3256-4	6	Washer-Flat
10	1-808285	1	Pin-Clevis	30	1-633144	2	Pin-Trunion
11	114-1184	4	Spacer-Wheel, Short	31	3218-3	2	Nut-Jam
12	103-2399	1	Pin-Spring, Clevis	32	103-0844-03	2	Brake-Narrow
13	114-1185	4	Spacer-Wheel, Long	33	103-0051	2	Spacer-Retainer, Brake
14	323-10	2	Screw-HH	34	1-808284	2	Pin-Clevis
15	3257-42	2	Key-Woodruff	35	103-1117-03	2	Linkage-Brake, Lower
16	325-17	8	Screw-HH	36	1-633454	2	Spring-Brake
17	109-3157	2	Wheel And Tire ASM	37	323-58	2	Bolt-TAP, HH
17:1	109-3156	1	Rim ASM	38	103-5243-03	1	Shaft-Brake
17:2	103-4963	1	Tire	39	32151-48	1	E-Ring
18	242-50	8	Nut-Lug	40	1-513140	2	Bearing-Control
19	1-806800	2	Pin-Cotter	41	3272-10	4	Pin-Cotter
20	1-809036	2	Nut-HH	42	109-7949	2	Decal
21	1-523157	2	Washer-Spacer				



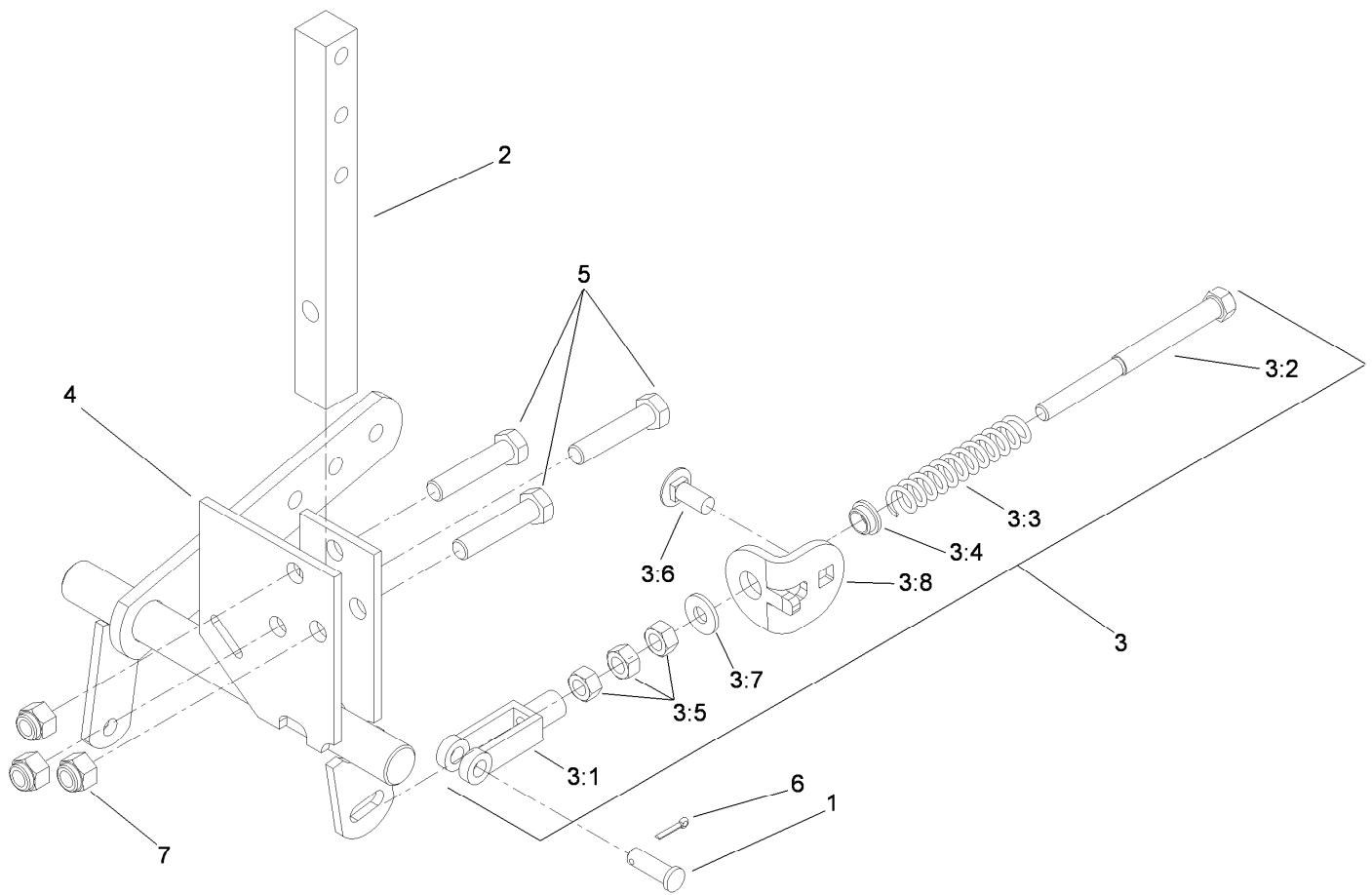
Motion Control Assembly

Ref.	Part Number	Qty.	Description	Ref.	Part Number	Qty.	Description
1	1-633102	4	Bearing-Flange, Side	29:2	1-633152	1	Balljoint-LH
3	3296-29	8	Nut-Lock, NI	29:3	1-804524	2	Nut
4	103-1361	1	Spacer-Hydro Control, LH	29:5	3219-2	3	Nut-Hex
5	322-12	1	Screw-HH	29:6	1-323245	1	Spring-Compression
6	3290-357	8	Nut-HHF, Whiz	30	32128-20	6	Nut-HF
7	322-14	1	Screw-HH	31	323-4	8	Screw-HH
8	1-403180	4	Screw-HH	32	109-2339	2	Damper-Control, Motion
9	103-5192	1	Spacer-Control, HYD	33	1-803022	2	Screw-Set
19	98-5975	4	Washer-Belleville	34	103-3062	1	Tracking Rod ASM
20	323-6	4	Screw-HH	34:1	1-543017	1	Balljoint-RH
21	108-7237	1	RH Lever ASM	34:2	103-3060	1	Knob-Tracking
21:1	106-9987	1	Grip-Control, Motion	34:3	1-804524	2	Nut
22	108-7238	1	LH Lever ASM	34:4	1-323245	2	Spring-Compression
22:1	106-9987	1	Grip-Control, Motion	34:5	1-633152	1	Balljoint-LH
26	322-6	4	Screw-HH	34:7	3219-2	1	Nut-Hex
28	103-0194-03	2	Arm-Control, Hydro	35	3217-6	4	Nut-Hex
29	103-5190	1	RH HYD Connect Link ASM	36	109-3978	1	RH Motion Control ASM
29:1	1-543017	1	Balljoint-RH	37	109-3979	1	LH Motion Control ASM



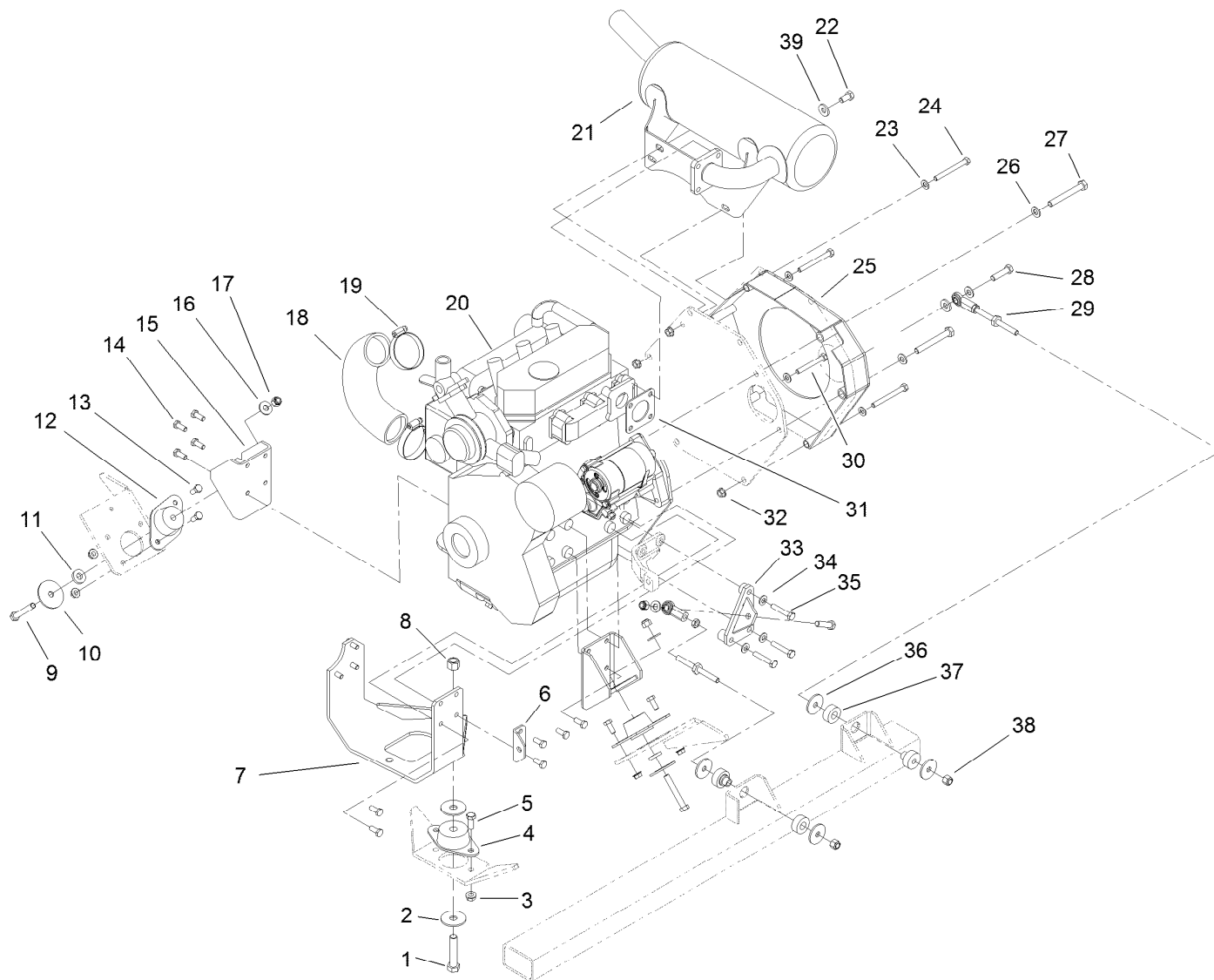
RH Motion Control Assembly No. 109-3978

Ref.	Part Number	Qty.	Description
1	1-808280	1	Pin-Clevis
2	103-0407	1	Arm-Shaft, Control
3	109-3903	1	Neutral Return ASM
3:1	1-303105	1	Yoke-Adjustable
3:2	1-603737	1	Bolt-Return, Neutral
3:3	1-603807	1	Spring-Return, Neutral
3:4	109-3769	1	Bushing-Nylon, Flanged
3:5	3219-2	3	Nut-Hex
3:6	3230-23	1	Screw-CARR
3:7	3256-2	1	Washer-Flat
3:8	109-3908	1	Tab-Adjustment
4	109-3980	1	Control-Motion, RH
5	323-9	3	Screw-HH
6	3272-5	1	Pin-Cotter
7	3296-39	3	Nut-Lock, NI



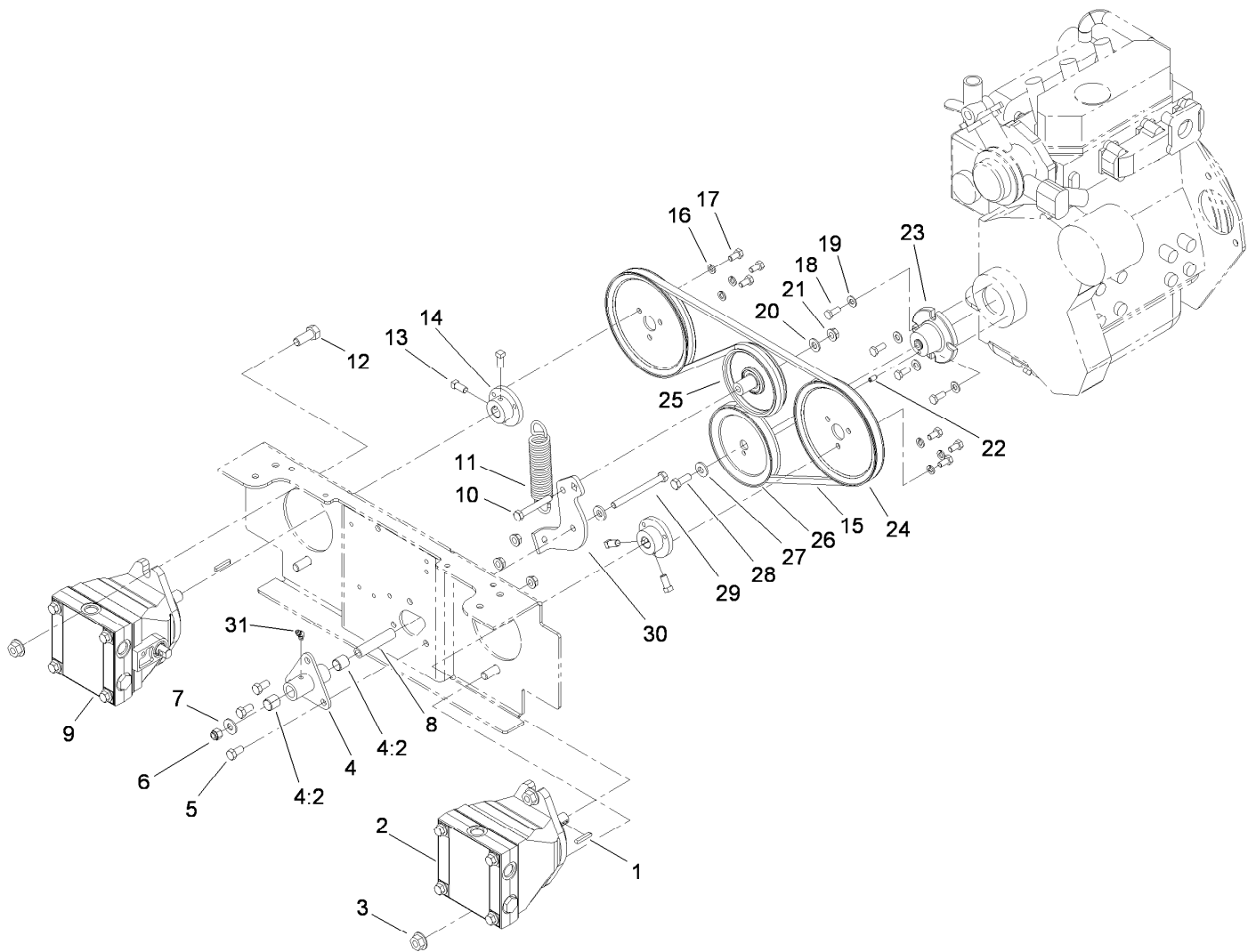
LH Motion Control Assembly No. 109-3979

<i>Ref.</i>	<i>Part Number</i>	<i>Qty.</i>	<i>Description</i>
1	1-808280	1	Pin-Clevis
2	103-0407	1	Arm-Shaft, Control
3	109-3903	1	Neutral Return ASM
3:1	1-303105	1	Yoke-Adjustable
3:2	1-603737	1	Bolt-Return, Neutral
3:3	1-603807	1	Spring-Return, Neutral
3:4	109-3769	1	Bushing-Nylon, Flanged
3:5	3219-2	3	Nut-Hex
3:6	3230-23	1	Screw-CARR
3:7	3256-2	1	Washer-Flat
3:8	109-3908	1	Tab-Adjustment
4	109-3983	1	Control-Motion, LH
5	323-9	3	Screw-HH
6	3272-5	1	Pin-Cotter
7	3296-39	3	Nut-Lock, NI



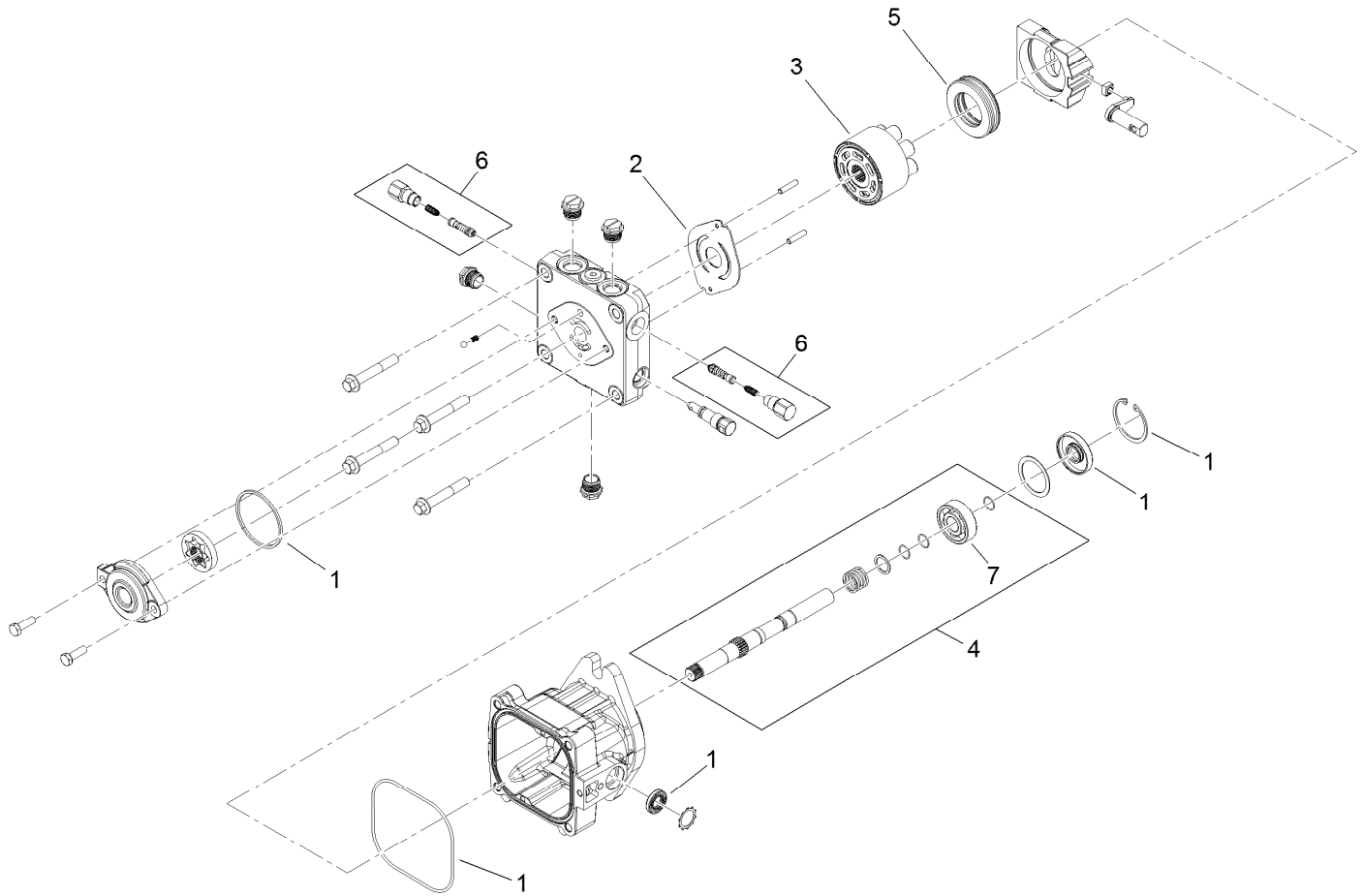
Engine Mount Assembly

Ref.	Part Number	Qty.	Description	Ref.	Part Number	Qty.	Description
1	325-10	1	Screw-HH	20	103-0888	1	Engine-Daihatsu
2	86-1990	2	Washer	21	103-2592	1	Muffler Kit
3	3290-357	2	Nut-HHF, Whiz	22	98-5975	3	Washer-Belleville
4	103-1022	1	Isolator-Rear	23	3256-23	4	Washer-Flat
5	323-5	2	Screw-HH	24	322-14	3	Screw-HH
6	103-3908	1	Bracket-Ground	25	103-3573-03	1	Cover-Flywheel
7	103-0870-03	1	Rear Engine Mount ASM	26	3256-24	4	Washer-Flat
8	3296-23	1	Nut-Lock, NI	27	56-2150	2	Screw-HH
9	323-12	2	Screw-HH	28	323-8	2	Screw-HH
10	83-1040	2	Washer-Flat	29	103-3745	2	Ball Joint Link ASM
11	66-6480	2	Washer	30	322-12	1	Screw-HH
12	103-2613	2	Isolator-Side	31	103-1385	1	Gasket-Muffler
13	322-3	4	Screw-HH	32	32128-20	7	Nut-HF
14	33114-020	15	Screw-HH	33	103-3556-03	1	Bracket-Engine, Front
15	103-0839-03	2	LH And RH Engine Mount ASM	34	1-303334	3	Washer-Spring
16	3256-4	2	Washer-Flat	35	33114-045	3	Screw-HH
17	3296-39	3	Nut-Lock, NI	36	93-6099	4	Washer
18	103-0921	1	Hose	37	103-3568	2	Isolator-Link
19	2412-42	2	Clamp-Hose	38	3296-6	2	Nut-Lock
				39	63-7790	2	Screw-Cap



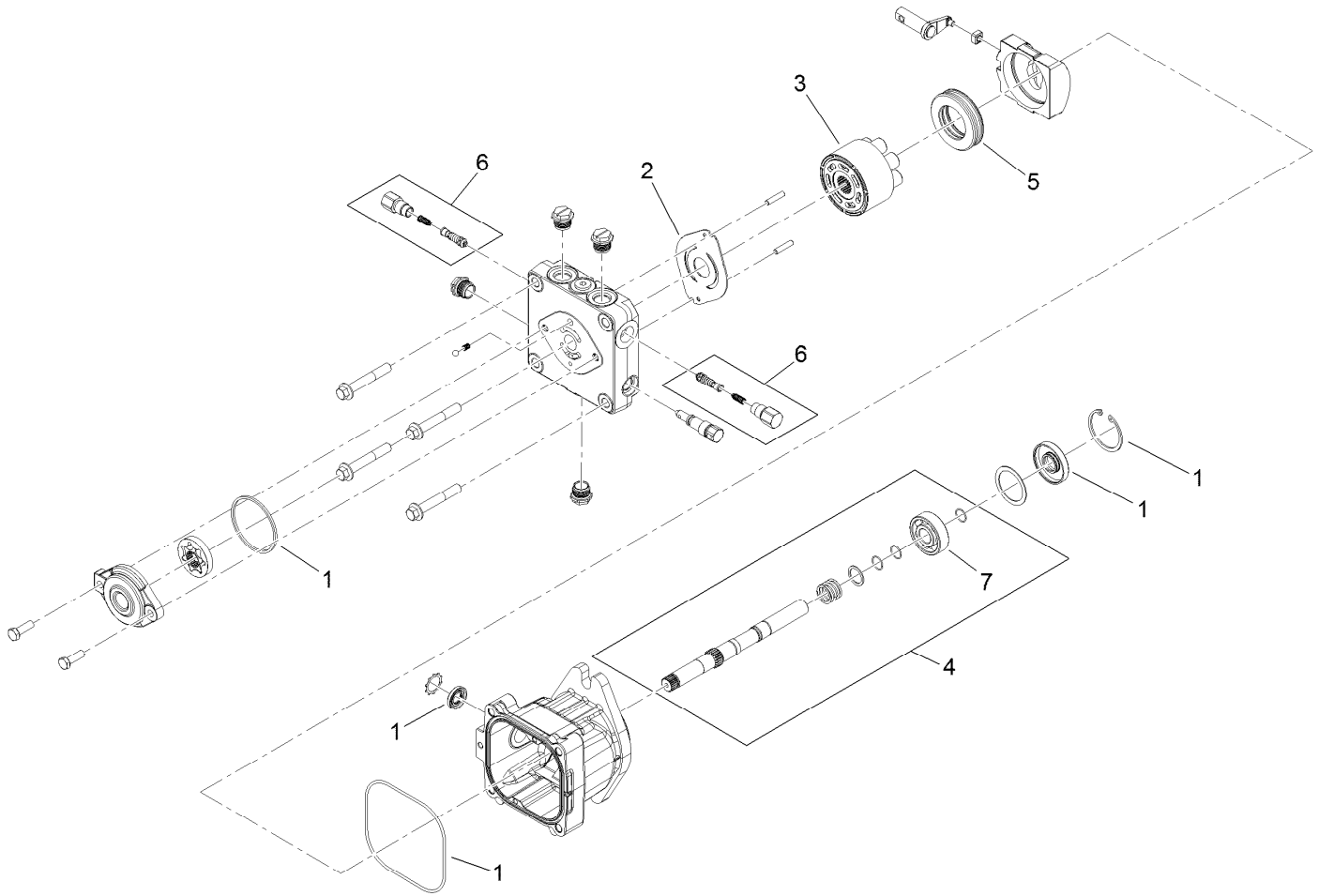
Wheel Pump Drive Assembly

Ref.	Part Number	Qty.	Description	Ref.	Part Number	Qty.	Description
1	103-2739	2	Key	16	1-805005	6	Washer-Lock
2	103-2978	1	Pump-Hydro, LH	17	322-2	6	Screw-HH
3	32128-49	4	Nut-HHF	18	33114-020	4	Screw-HH
4	103-4467	1	Pump Idler ASM	19	3256-23	4	Washer-Flat
4:2	1-513034	2	Sleeve-Bearing	20	3256-24	1	Washer-Flat
5	323-4	3	Screw-HH	21	3290-357	4	Nut-HHF, Whiz
6	3296-39	1	Nut-Lock, NI	22	103-1459	1	Pin-Roll
7	3256-4	1	Washer-Flat	23	103-1421	1	Hub-Drive, Pump
8	103-0919	1	Bushing-Tightener, Pivot	24	103-1472	2	Sheave-Pump
9	103-2979	1	Pump-Hydro, RH	25	103-4464	1	Idler-Pump
10	323-12	1	Screw-HH	26	103-5164	1	Sheave-Engine
11	1-603413	1	Spring-Extension	27	98-5975	2	Washer-Belleville
12	325-5	4	Screw-HH	28	323-6	1	Screw-HH
13	1-803050	4	Screw-Set	29	323-16	1	Screw-HH
14	103-1471	2	Hub-Pump	30	103-4463-03	1	Arm-Tightener, Pump
15	107-7724	1	Belt-V	31	302-11	1	Fitting-Lube, 45 DEG



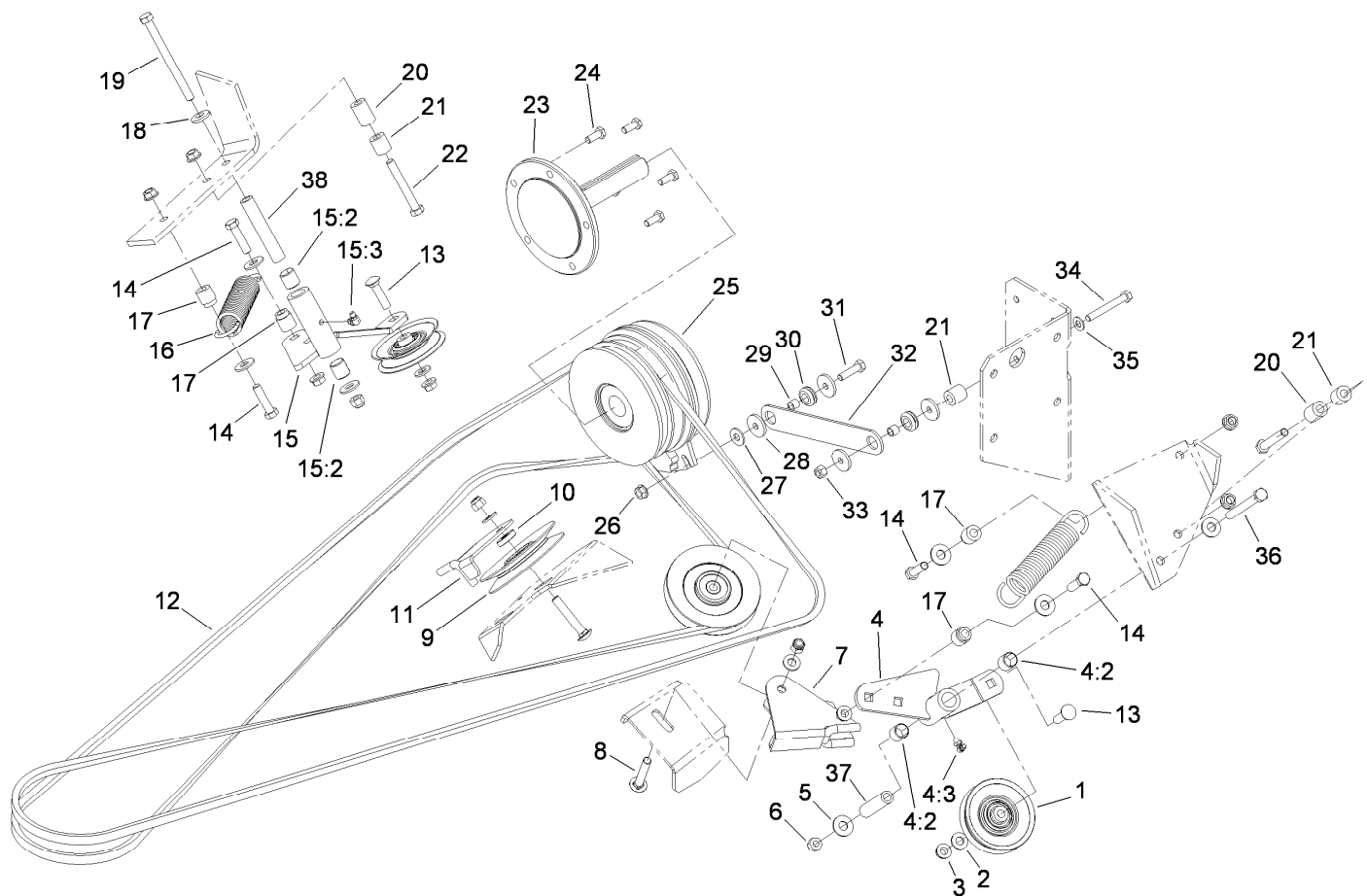
Hydraulic Pump Assembly No. 103-2978

<i>Ref.</i>	<i>Part Number</i>	<i>Qty.</i>	<i>Description</i>
1	100-6110	1	Overhaul Seal Kit
2	100-6112	1	Plate-Valve
3	94-1913	1	Cylinder Block ASM
4	103-2669	1	Input Shaft Kit
5	103-2670	1	Thrust Bearing Kit
6	103-2741	1	Shock Valve Kit
7	103-8439	1	Input Bearing Kit



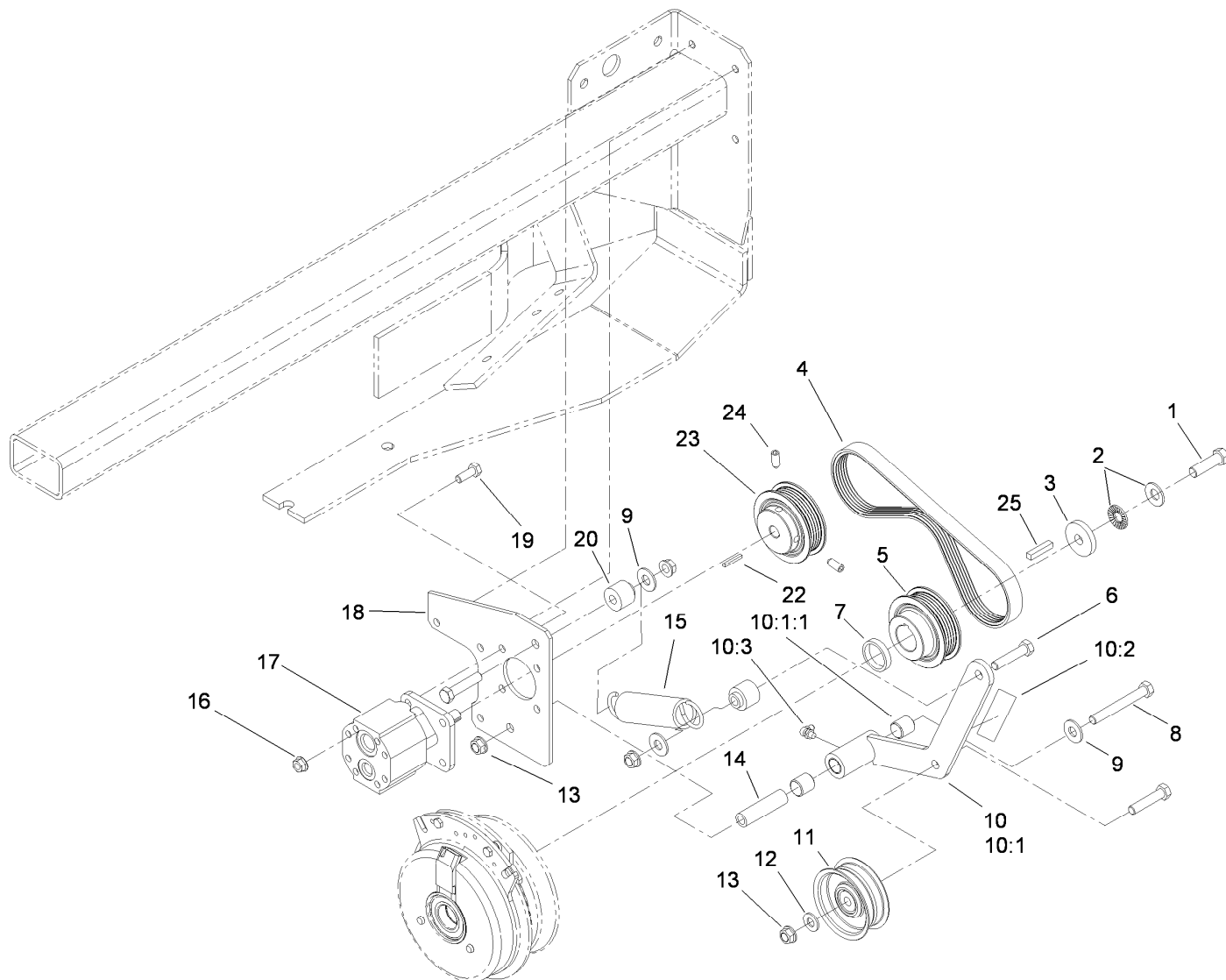
Hydraulic Pump Assembly No. 103-2979

<i>Ref.</i>	<i>Part Number</i>	<i>Qty.</i>	<i>Description</i>
1	100-6110	1	Overhaul Seal Kit
2	100-6112	1	Plate-Valve
3	94-1913	1	Cylinder Block ASM
4	103-2669	1	Input Shaft Kit
5	103-2670	1	Thrust Bearing Kit
6	103-2741	1	Shock Valve Kit
7	103-8439	1	Input Bearing Kit



Deck Belt Drive Assembly

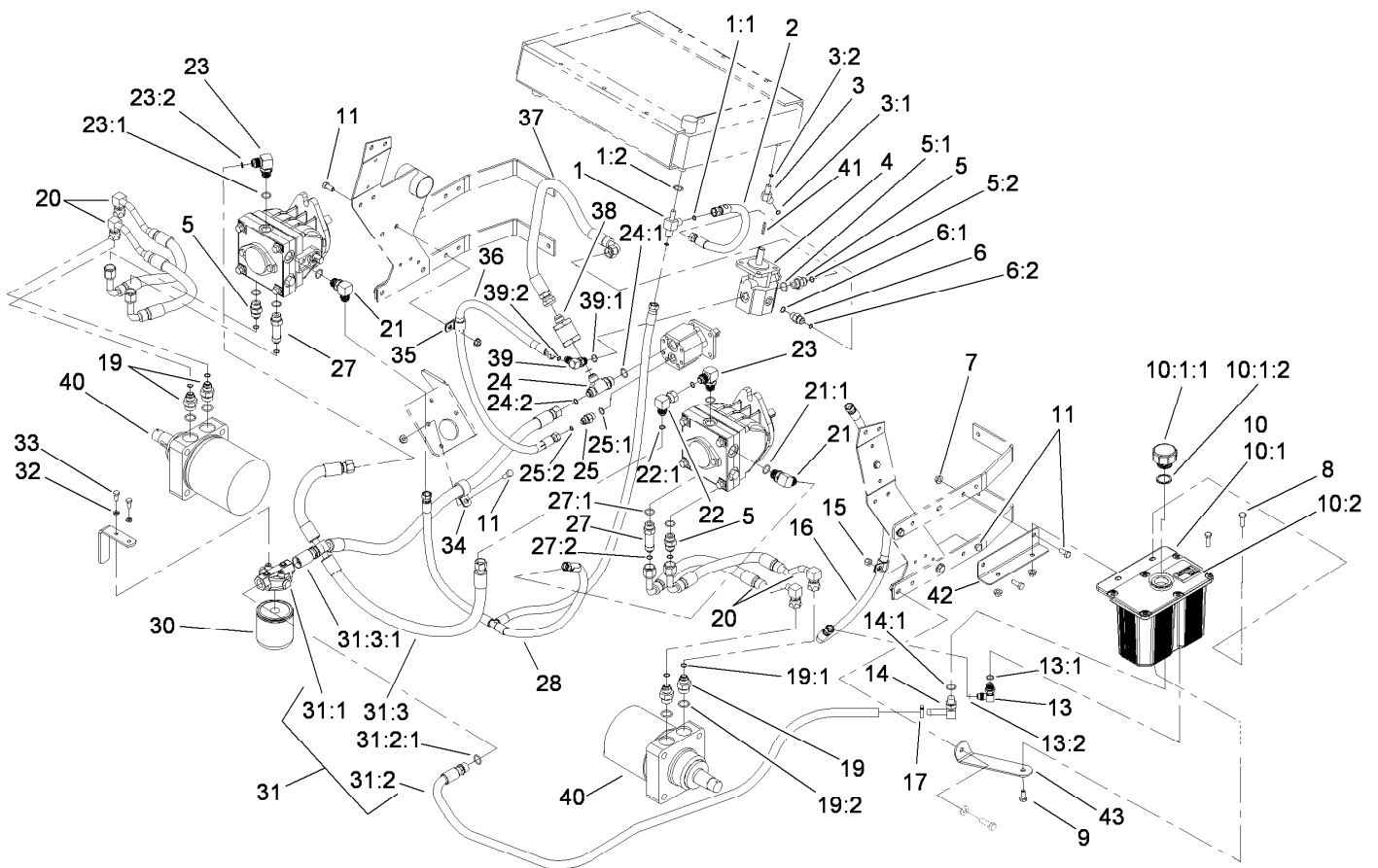
<i>Ref.</i>	<i>Part Number</i>	<i>Qty.</i>	<i>Description</i>	<i>Ref.</i>	<i>Part Number</i>	<i>Qty.</i>	<i>Description</i>
1	103-0983	2	Sheave	18	98-5975	2	Washer-Belleville
2	3256-24	4	Washer-Flat	19	323-23	1	Screw-HH
3	3290-357	7	Nut-HHF, Whiz	20	103-1361	2	Spacer-Hydro Control, LH
4	107-9851	1	LH Idler ASM	21	103-0193	3	Spacer-Strap, Clutch
4:2	1-513034	2	Sleeve-Bearing	22	323-13	2	Screw-HH
4:3	302-40	1	Fitting-Grease	23	103-0286	1	Shaft-Stub
5	3256-4	6	Washer-Flat	24	33114-020	5	Screw-HH
6	3296-39	4	Nut-Lock, NI	25	109-6627	1	Clutch Kit
7	103-4011-03	1	Guard-Belt Sheave, LH	26	32128-20	1	Nut-HF
8	3231-40	2	Bolt-CARR	27	3256-3	1	Washer-Flat
9	103-0984	2	Sheave	28	1-613235	4	Washer
10	103-3186	1	Spacer-Bracket, Guide	29	1-633545	2	Spacer
11	103-4039-03	1	Guard-Belt Sheave, RH	30	1-633630	2	Grommet
12	107-7738	2	Belt-V	31	322-6	1	Screw-HH
13	3231-4	2	Screw-CARR	32	103-0192-03	1	Strap-Clutch / Brake
14	323-9	4	Screw-HH	33	3296-29	1	Nut-Lock, NI
15	107-9861	1	RH Idler ASM	34	322-12	1	Screw-HH
15:2	1-513034	2	Sleeve-Bearing	35	3256-23	1	Washer-Flat
15:3	302-40	1	Fitting-Grease	36	323-16	1	Screw-HH
16	103-1767	2	Spring-Extension	37	103-0919	1	Bushing-Tightener, Pivot
17	103-1503	4	Spacer-Tightener, Belt	38	103-0040	1	Bushing-Tightener, Pivot



Cooling Pump Drive Assembly

Ref.	Part Number	Qty.	Description	Ref.	Part Number	Qty.	Description
1	3212-6	1	Screw-HH	11	1-633167	1	Sheave-Idler
2	1-603610	2	Washer-Spring	12	3256-24	1	Washer-Flat
3	1-543610	1	Washer-Clutch	13	3290-357	4	Nut-HHF, Whiz
4	107-7739	1	Belt-Poly V	14	1-603384	1	Bushing-Pivot, Idler
5	103-1339	1	Sheave-5 Rib	15	1-603414	1	Spring-Extension
6	323-9	3	Screw-HH	16	3296-29	4	Nut-Lock, NI
7	103-1422	1	Spacer-Pump Drive, Fan	17	103-7431	1	Pump-Fan, Cooling
8	323-14	1	Screw-HH	18	103-1299-03	1	Plate-Mating, Fan Pump
9	3256-4	3	Washer-Flat	19	322-4	4	Screw-HH
10	107-9879	1	Wheel Pump Tension ASM	20	103-1575	2	Spacer-Spring, Fan Pump
10:1		1	Tensioner ASM ●	22	32150-1	1	Key-Square
10:1:1	1-513034	2	Sleeve-Bearing	23	103-1338	1	Sheave-5 Rib
10:2	98-5954	1	Decal-Cover, Missing	24	3246-6	2	Screw-Set, HSH
10:3	302-40	1	Fitting-Grease	25	13-2840	1	Key-Square

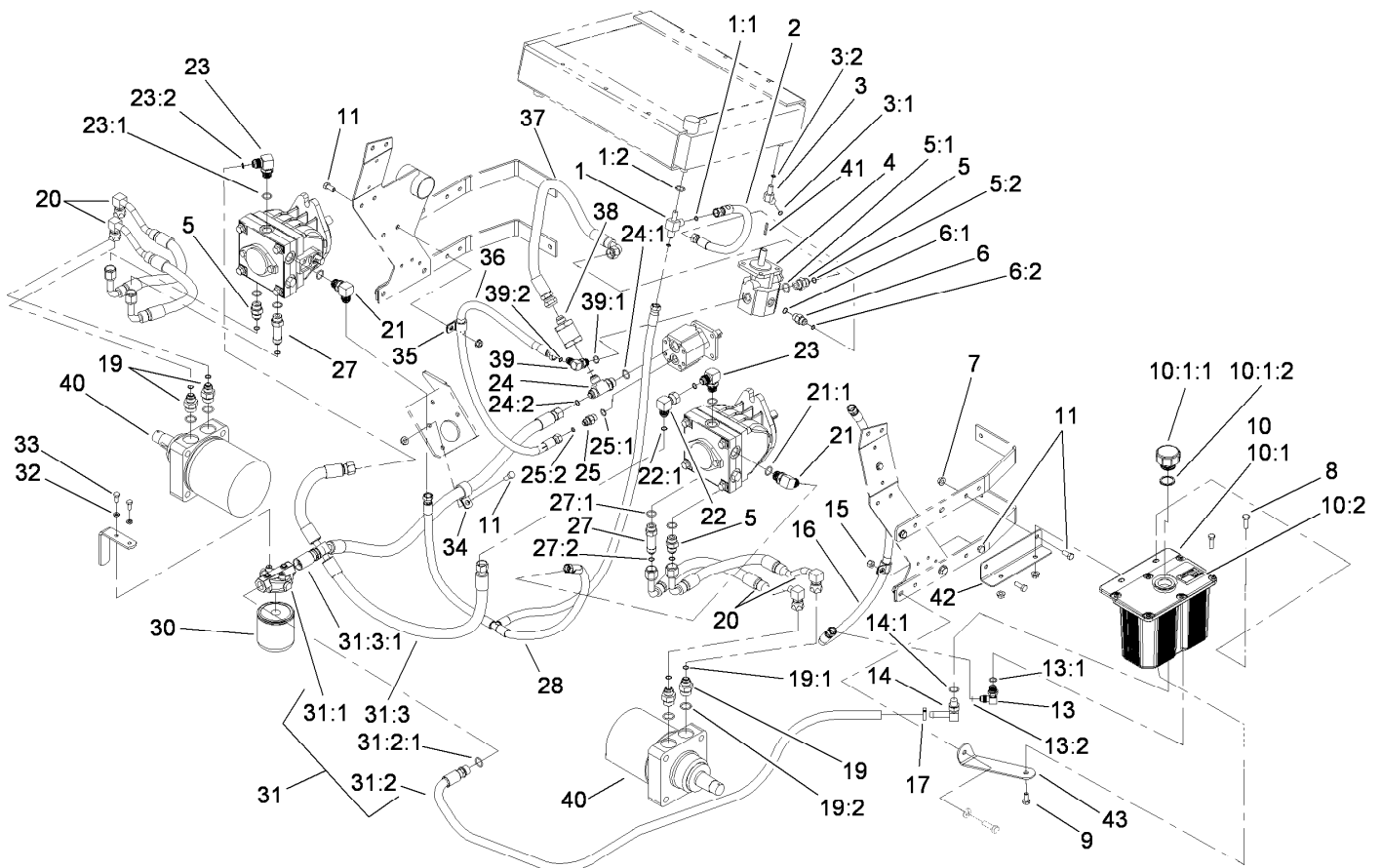
● Not serviced separately



Hydraulic System Assembly

Ref.	Part Number	Qty.	Description	Ref.	Part Number	Qty.	Description
1	108-5998	1	Fitting-HYD, Straight Tee	14	108-5316	1	Fitting-Elbow, 90 DEG
1:1	237-21	2	O-Ring	14:1	237-79	1	O-Ring
1:2	237-42	1	O-Ring	15	3296-29	1	Nut-Lock, NI
2	103-2173	1	Fan Case Drain Hose ASM	16	103-2174	1	Tank Return Hose ASM
3	108-5999	1	Fitting-HYD, 45 Elbow	17	103-2104	1	Clamp-Hose
3:1	237-21	1	O-Ring	19	1-603991	4	Fitting-Straight
3:2	237-42	1	O-Ring	19:1	237-80	1	O-Ring
4	103-7430	1	Motor-Fan, Cooling	19:2	1-603992	1	O-Ring
5	1-603990	3	Fitting-Straight	20	103-4680	4	HYD Hose ASM
5:1	1-603920	1	O-Ring	21	103-1014	2	Fitting-Elbow, 90 DEG
5:2	1-603992	1	O-Ring	21:1	1-603920	1	O-Ring
6	103-2157	1	Fitting-Straight	22	103-2315	1	Fitting-90 DEG
6:1	1-603923	1	O-Ring	22:1	1-603992	1	O-Ring
6:2	103-1020	1	O-Ring	23	103-2153	2	Fitting-90 DEG
7	32128-20	7	Nut-HF	23:1	1-603920	1	O-Ring
8	322-5	4	Screw-HH	23:2	1-603992	1	O-Ring
9	322-3	2	Screw-HH	24	103-2159	1	Fitting-Tee
10	109-0582	1	Hydraulic Tank ASM	24:1	1-603920	1	O-Ring
10:1		1	Tank-Hydraulic ●	24:2	1-603992	2	O-Ring
10:1:1	103-1948	1	Cap-Reservoir, HYD	25	103-2156	1	Fitting-Straight
10:1:2	103-1949	1	Gasket-Cap	25:1	1-603921	1	O-Ring
10:2	1-523552	1	Decal-Tank, HYD	25:2	103-1020	1	O-Ring
11	322-4	5	Screw-HH	27	103-1940	2	Adapter-HYD, Straight
13	103-2155	1	Fitting-90 DEG	27:1	237-79	1	O-Ring
13:1	1-603921	1	O-Ring	27:2	1-603992	1	O-Ring
13:2	103-1020	1	O-Ring				

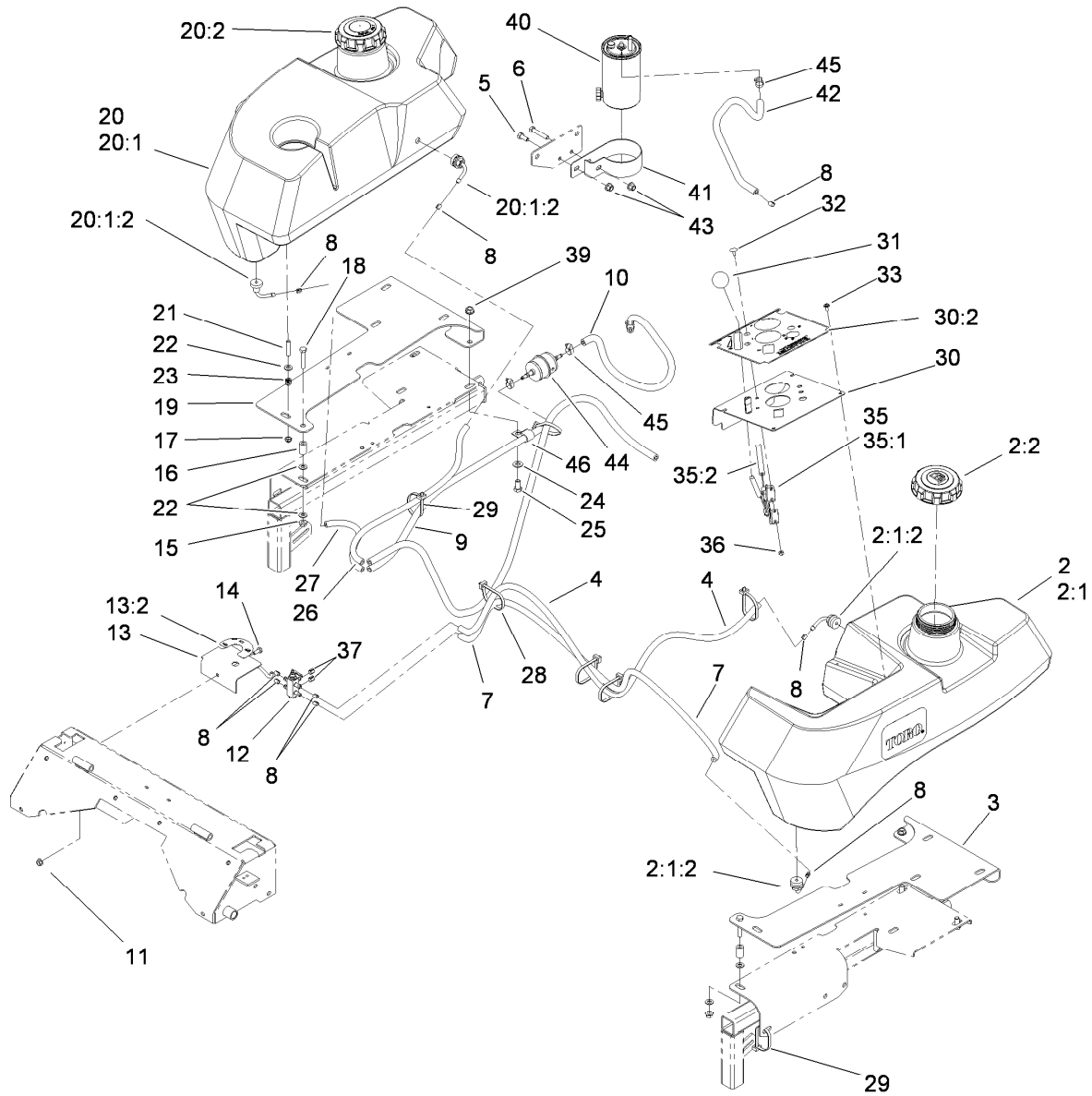
● Not serviced separately



Hydraulic System Assembly (continued)

Ref.	Part Number	Qty.	Description	Ref.	Part Number	Qty.	Description
28	103-2172	1	Case Drain Hose ASM	35	1-633396	2	Clip-Loom
30	23-9740	1	Filter-Oil	36	103-2148	1	Auxillary Pump Hose ASM
31		1	Charge Hose ASM ●	37	1-323241	1	Hose-Pressure, High
31:1	103-2259	1	Head-Filter	38	103-3110	1	Filter-In Line, 50 Micron
31:2	103-5121	1	Filter Inlet Hose ASM	39	103-2155	1	Fitting-90 DEG
31:2:1	1-603920	1	O-Ring	39:1	1-603921	1	O-Ring
31:3	103-2269	1	Pump Inlet Hose ASM	39:2	103-1020	1	O-Ring
31:3:1	1-603920	1	O-Ring	40	103-2489	2	Motor-Wheel, HYD
32	1-805004	2	Washer-Lock	41	32150-1	1	Key-Square
33	321-3	2	Screw-HH	42	112-1768-03	1	Bracket-Tank Mount, Upper
34	1-643312	1	Clip-Loom	43	112-1778-03	1	Bracket-Tank Mount, Lower

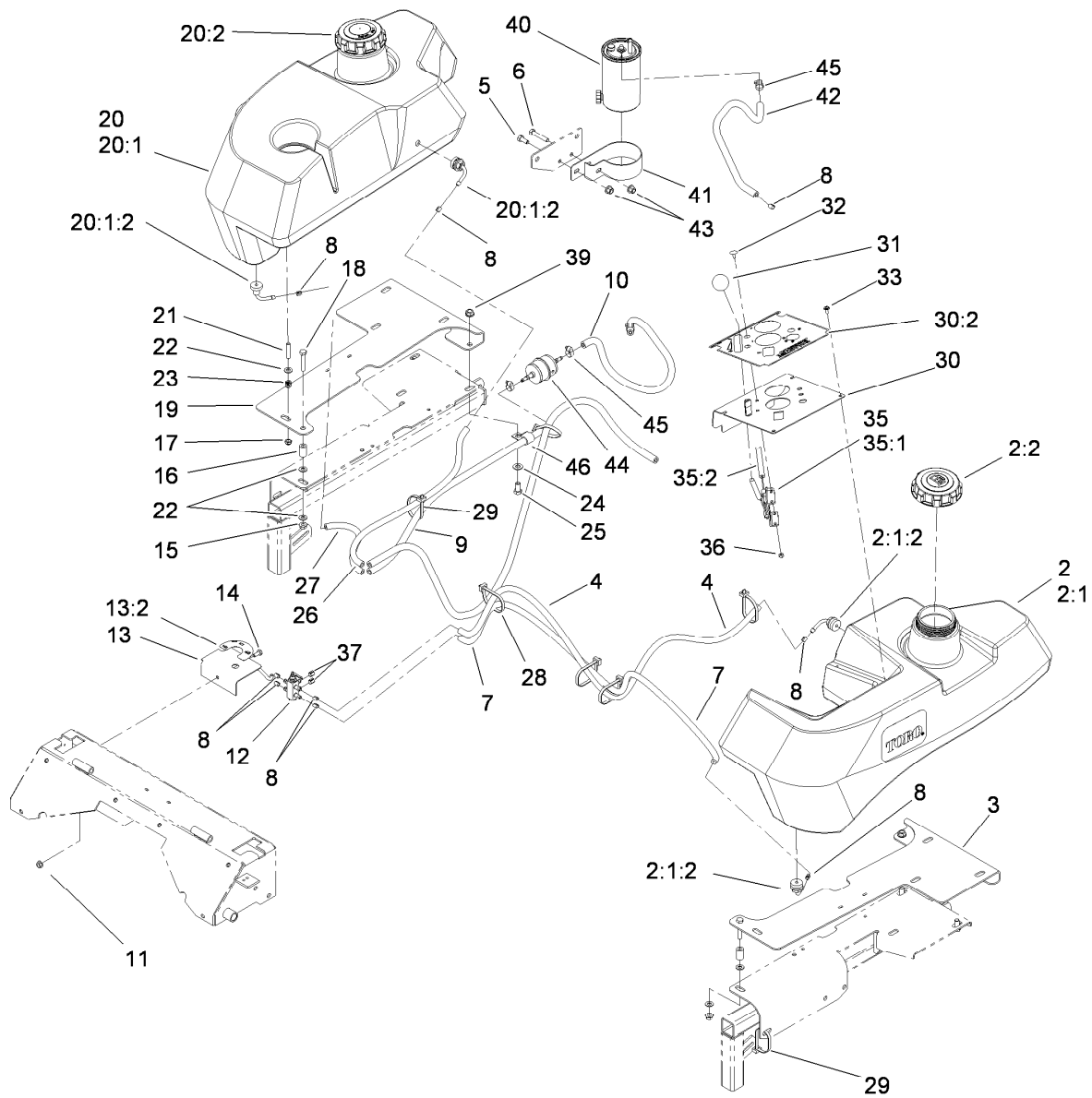
● Not serviced separately



Tank and Fuel Line Assembly

Ref.	Part Number	Qty.	Description	Ref.	Part Number	Qty.	Description
2	115-3556	1	LH Fuel Tank Kit	17	3296-47	6	Nut-Lock, NI
2:1		1	Tank-Fuel, LH ●	18	322-9	2	Screw-HH
2:1:2	103-2615	2	Fitting-Fuel, Bulkhead	19	107-7671-03	1	Bracket-Fuel Tank, RH
2:2	114-8214	1	Biodiesel Cap ASM	20	115-3555	1	RH Fuel Tank Kit
3	107-7672-03	1	Bracket-Fuel Tank, LH	20:1		1	Tank-Fuel, RH ●
4	109-0273	1	Hose-Fuel	20:1:2	103-2615	2	Fitting-Fuel, Bulkhead
5	322-3	1	Screw-HH	20:2	114-8214	1	Biodiesel Cap ASM
6	322-9	1	Screw-HH	21	1-633023	6	Stud
7	109-0289	1	Hose-Fuel	22	3256-23	10	Washer-Flat
8	1-643293	6	Clamp-Hose, Fuel	23	1-633349	6	Spring-Tank, Fuel
9	114-8206	1	Hose-Fuel	24	3256-24	4	Washer-Flat
10	110-4113	1	Hose-Fuel	25	323-4	4	Screw-HH
11	32128-33	1	Nut-HF	26	110-5701	1	Hose-Fuel
12	1-643234	1	Valve-Fuel, Dual Flow	27	109-0294	1	Hose-Fuel
13	107-9878	1	Bracket-Valve, Fuel	28	110-4100	1	Hose-Fuel
13:2	107-2114	1	Decal-Valve, Fuel	29	1-303335	7	Tie-Plastic
14	321-3	1	Screw-HH	30	117-0918	1	Control Panel ASM
15	3296-47	2	Nut-Lock, NI	30:2	117-0916	1	Decal-Panel, Control
16	94-7564	2	Spacer	31	1-603175	1	Knob-Ball

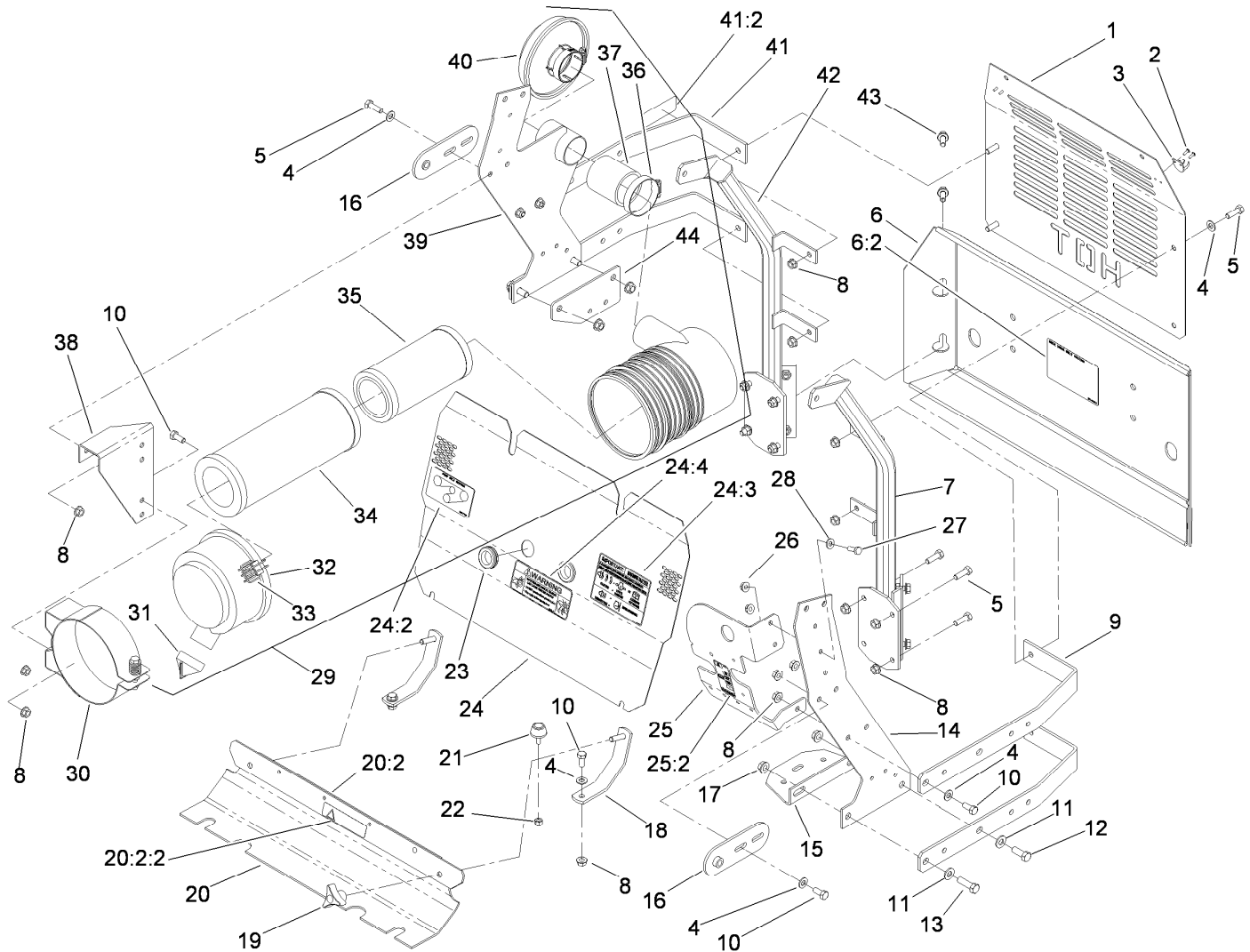
● Not serviced separately



Tank and Fuel Line Assembly (continued)

<i>Ref.</i>	<i>Part Number</i>	<i>Qty.</i>	<i>Description</i>	<i>Ref.</i>	<i>Part Number</i>	<i>Qty.</i>	<i>Description</i>
32	1-807513	2	Bolt-CARR	40	112-9188	1	Element-Filter, Fuel/Water
33	109-2661	4	Screw-PPH	41	110-8807	1	Bracket-Filter, Fuel
35	110-5729	1	Throttle Control Cable ASM	42	114-8207	1	Hose-Fuel
35:1	112-2334	1	Lever-Throttle	43	3296-58	2	Nut-Lock, NI
35:2	110-5730	1	Cable-Throttle	44	112-7836	1	Filter-Inline
36	3296-2	2	Nut-Lock, NI	45	2412-108	7	Clamp-Worm
37	1-643277	3	Clamp-Hose, Fuel	46	115-3559	1	Clamp-J
39	3290-357	4	Nut-HHF, Whiz				

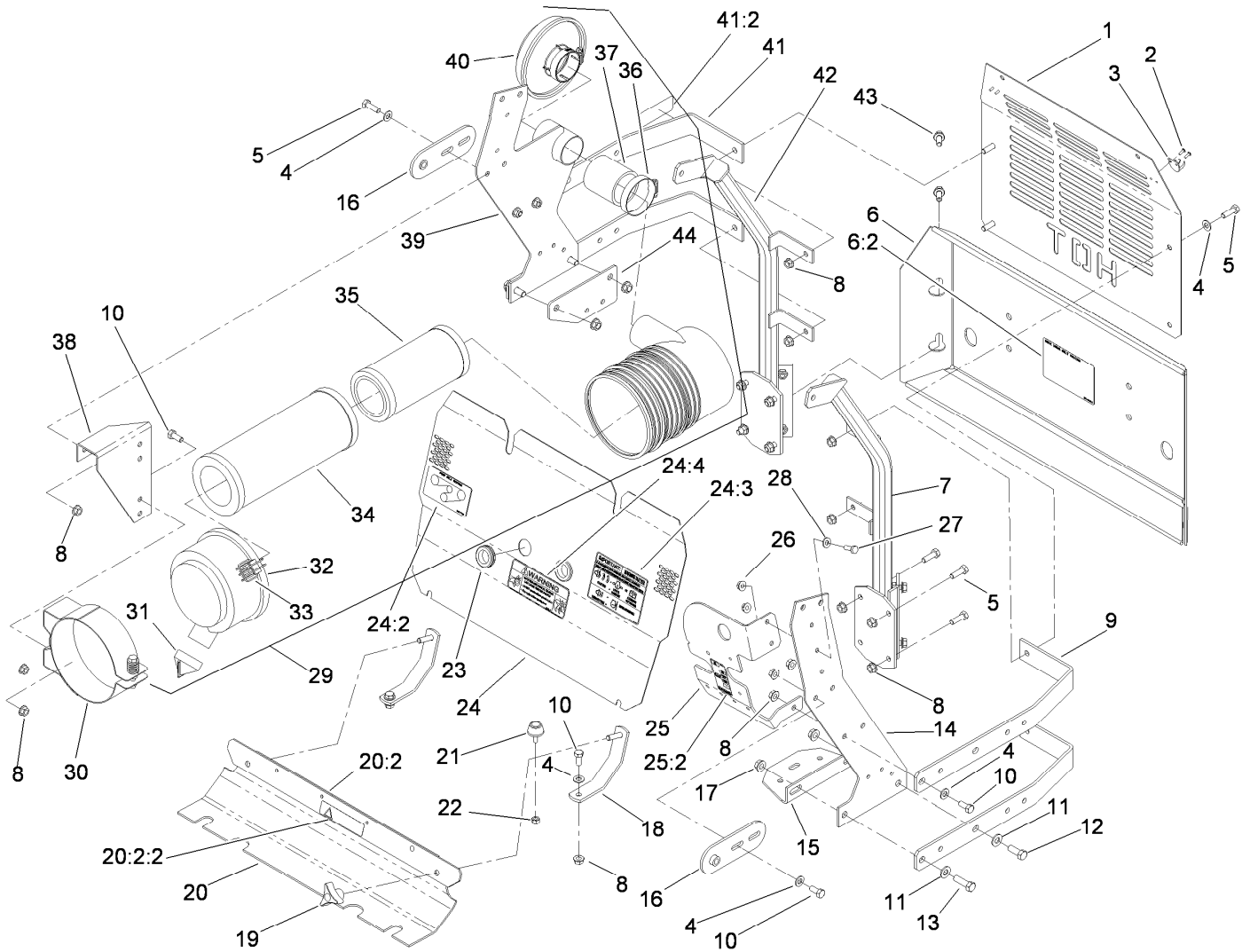
● Not serviced separately



Front and Rear Engine Cover Assembly

Ref.	Part Number	Qty.	Description	Ref.	Part Number	Qty.	Description
1	103-4855-03	1	Guard-Muffler	18	103-5163-03	2	Mount-Belt Shield, Engine
2	923786	4	Rivet	19	1-323385	2	Knob-3 Prong
3	1-643189	2	Keeper-Latch, Rubber	20	107-7709	1	Engine Belt Shield ASM
4	3256-23	13	Washer-Flat	20:2	98-5954	1	Decal-Cover, Missing
5	322-5	14	Screw-HH	21	109-2365	2	Rubber Bumper ASM (W/Stud)
6	107-9865	1	Rear Bumper ASM	22	3296-42	2	Nut-Lock, NI
6:2	107-9864	1	Decal-Belt Routing, Deck Drive	23	100-3815	2	Grommet-Rubber
7	103-5157-03	1	Frame-Upper, LH Rear	24	107-7707	1	Engine Access Panel ASM
8	32128-20	23	Nut-HF	24:2	107-7705	1	Decal-Belt Routing, Pump
9	103-4906-03	3	Bar-Mount Frame, Radiator	24:3	103-3276	1	Decal-Buzzer, Warning
10	322-3	9	Screw-HH	24:4	103-5881	1	Decal-Devices, Rotating
11	3256-24	4	Washer-Flat	25	117-3862	1	Fuse/Relay Bracket ASM
12	323-6	2	Screw-HH	25:2	117-7818	1	Decal-Fuse
13	323-7	2	Screw-HH	26	32128-33	2	Nut-HF
14	103-5169-03	1	Mount-Side, LH	27	321-4	2	Screw-HH
15	103-2603-03	1	Bracket-Bottle	28	3256-22	2	Washer-Flat
16	1-632986-03	2	Shackle-Hinge	29	103-5178	1	Filter-Air
17	3290-357	4	Nut-HHF, Whiz				

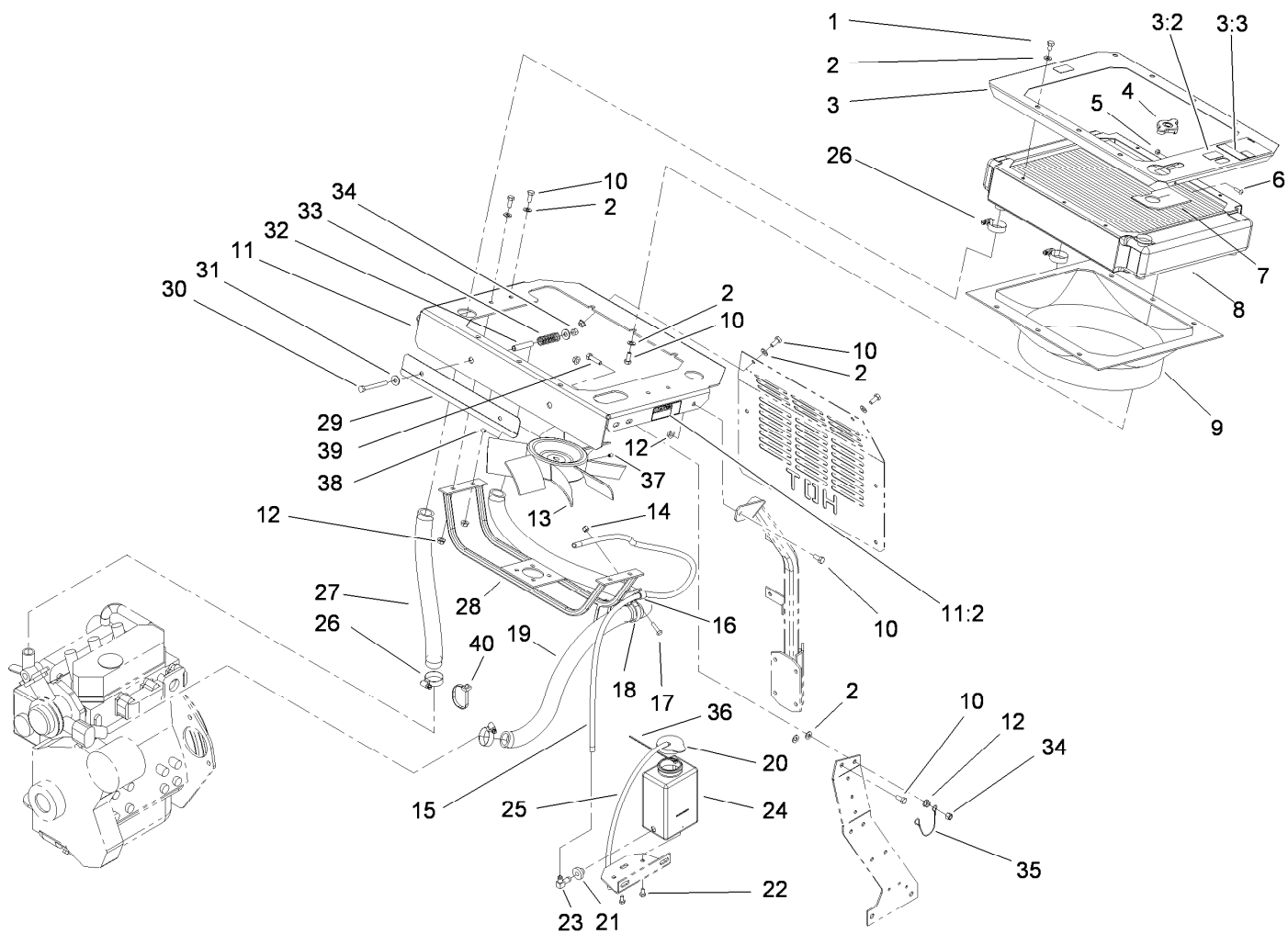
● Not serviced separately



Front and Rear Engine Cover Assembly (continued)

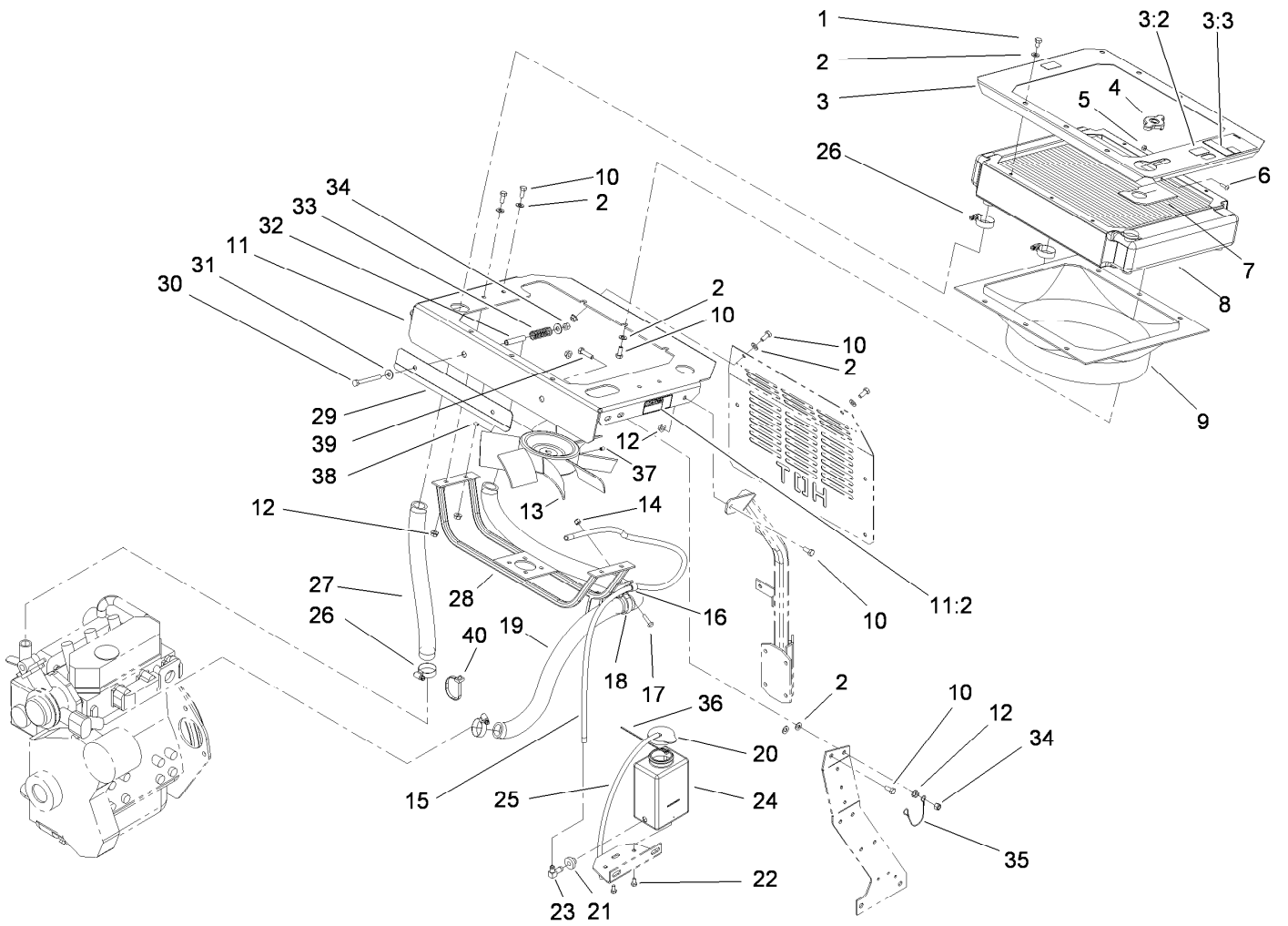
<i>Ref.</i>	<i>Part Number</i>	<i>Qty.</i>	<i>Description</i>	<i>Ref.</i>	<i>Part Number</i>	<i>Qty.</i>	<i>Description</i>
30	103-1058	1	Bracket-Filter, Air	39	103-5123-03	1	RH Radiator And Ac Support ASM
31	99-3175	1	Valve-Ejector, Dust	40	100-2436	1	Hood
32	103-1060	1	Cover-Filter, Air	41	107-7715	1	Bar-Radiator
33	1-643283	2	Latch-Cleaner, Air	41:2	65-2690	1	Decal-Surface, Hot
34	103-1327	1	Filter-Air	42	103-5158-03	1	Frame-Upper, RH Rear
35	103-1326	1	Filter-Air, Safety	43	3234-47	4	Screw-HHF
36	2412-42	1	Clamp-Hose	44	114-8205-03	1	Plate-Fuel Filter Mount
37	103-5198	1	Hose-Intake				
38	103-0953-03	1	Mount-Cleaner, Air				

● Not serviced separately



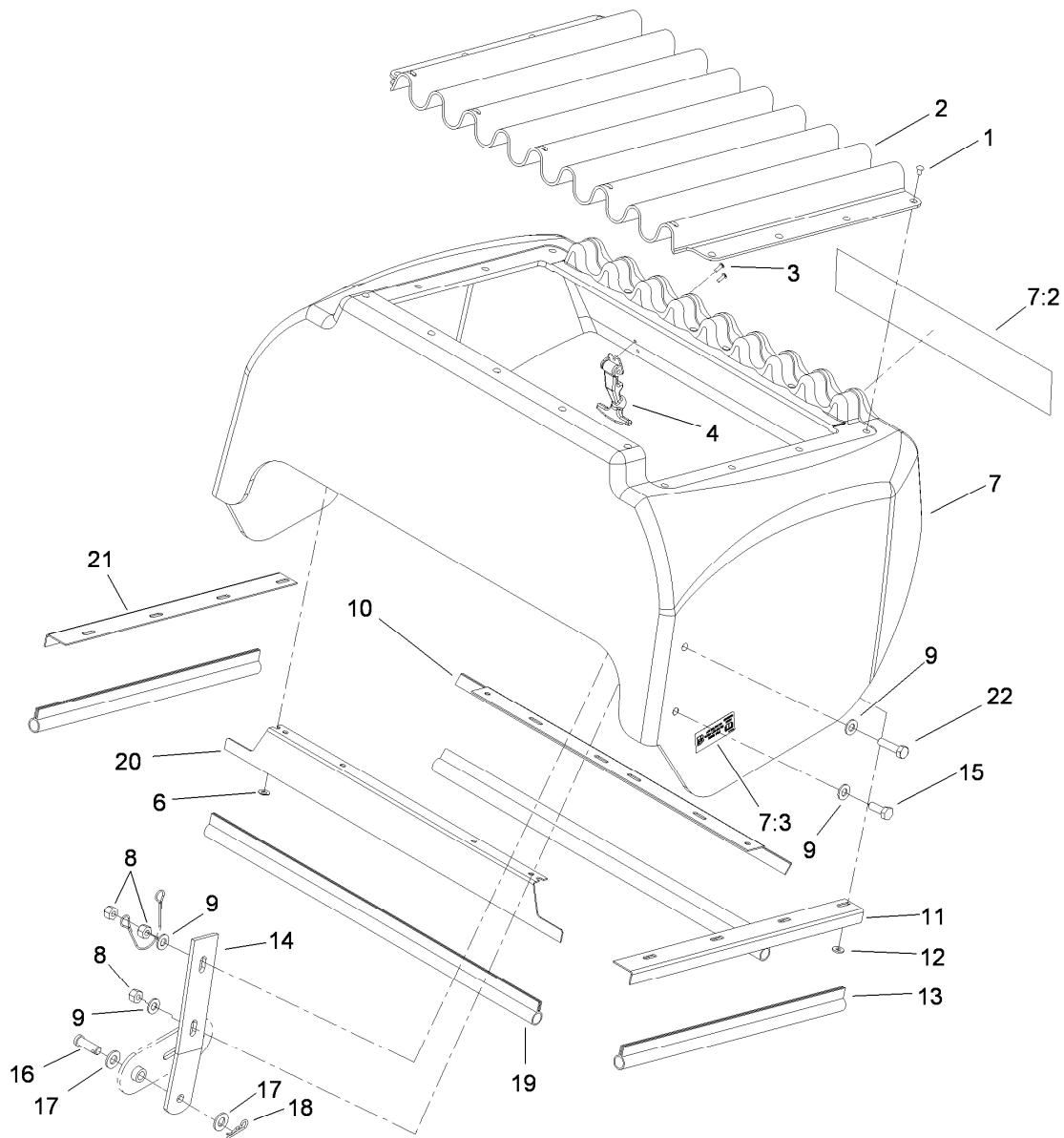
Cooling System Assembly

Ref.	Part Number	Qty.	Description	Ref.	Part Number	Qty.	Description
1	322-1	6	Screw-HH	19	103-0922	1	Hose-Inlet, Engine
2	3256-23	22	Washer-Flat	20	1-643164	1	Cap-Tank, Overflow
3	107-7658	1	Plate-Trim, Radiator	21	1-513645	1	Bushing-Valve, Fuel
3:2	65-2690	2	Decal-Surface, Hot	22	321-2	2	Screw-HH
3:3	104-2449	1	Decal-Coolant	23	1-643259	1	Fitting-Elbow
4	1-643161	1	Cap-Radiator	24	1-643163	1	Tank-Overflow
5	3296-2	1	Nut-Lock, NI	25	109-2669	1	Hose
6	1-803075	1	Screw-Head, Truss	26	1-633989	4	Clamp-Hose
7	103-1352	1	Shield-Fill Neck, Radiator	27	103-2505	1	Hose-Outlet, Engine
8	107-9889	1	Radiator	28	103-0086-03	1	Mount-Motor, Fan
9	103-0898	1	Shroud-Cooling, Engine	29	103-4986	1	Bracket-Deflector, Air
10	322-3	16	Screw-HH	30	322-14	2	Screw-HH
11	107-7717	1	Fan Mounting Plate ASM	31	3256-3	4	Washer-Flat
11:2	1-643253	2	Decal-Fan, Radiator	32	103-5223	2	Spacer
12	32128-20	10	Nut-HF	33	1-513296	2	Spring-Indicator, Reverse
13	103-0892	1	Fan	34	3296-29	4	Nut-Lock, NI
14	3296-42	1	Nut-Lock, NI	35	107-9853	2	Lanyard
15	109-2670	1	Hose	36	1-303287	3	Tie-Cable
16	1-513762	1	Clip-Loom	37	3245-44	1	Screw-Set
17	321-6	1	Screw-HH	38	909848	1	Screw-Set
18	103-0113	1	Clip-Loom				



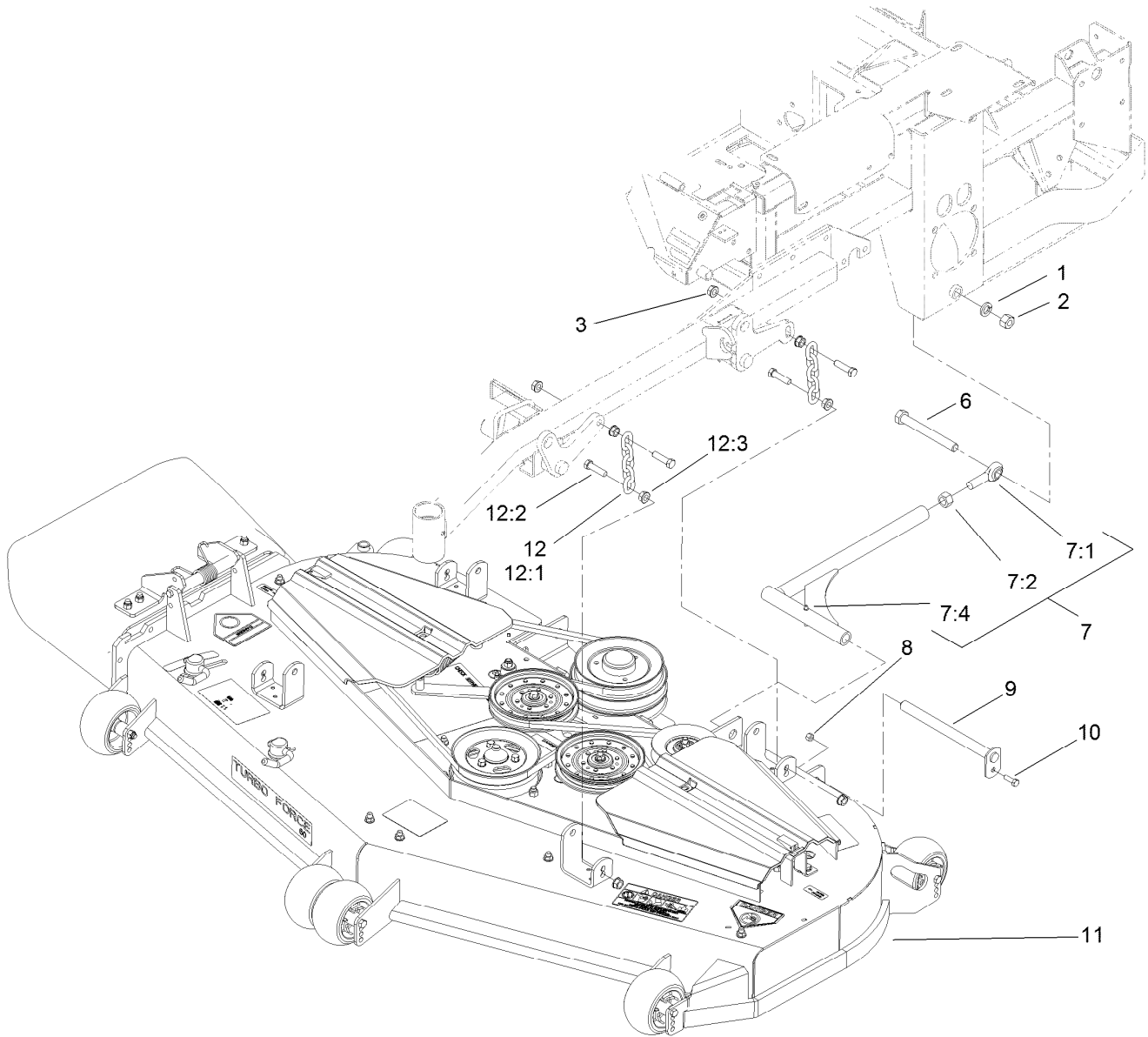
Cooling System Assembly (continued)

Ref.	Part Number	Qty.	Description
39	322-6	2	Screw-HH
40	1-303335	2	Tie-Plastic



Hood Assembly

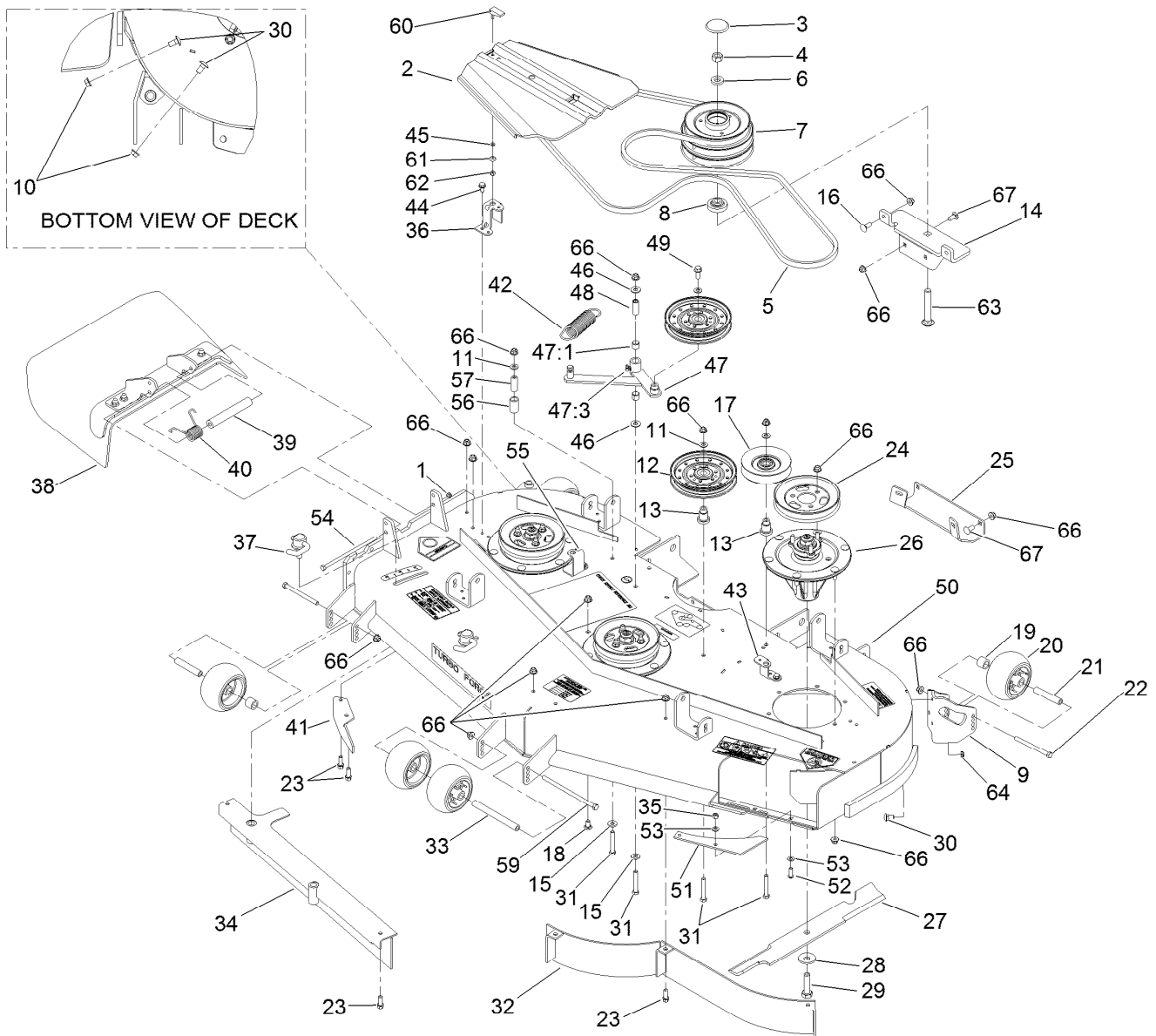
Ref.	Part Number	Qty.	Description	Ref.	Part Number	Qty.	Description
1	1-803072	17	Rivet	12	3256-14	12	Washer-Flat
2	1-633864-03	1	Screen-Radiator	13	1-643186	2	Seal-Trim
3	923786	4	Rivet	14	1-633885-03	2	Plate-Hinge, Hood
4	1-643188	2	Latch-Rubber	15	322-4	2	Screw-HH
6	1-303435	5	Washer-Spring	16	1-808285	2	Pin-Clevis
7	115-3560	1	Hood ASM	17	3256-24	4	Washer-Flat
7:2	107-7674	1	Decal	18	1-806003	2	Pin-Cotter, Hair
7:3	114-9600	2	Decal-Low Sulfur	19	1-643187	2	Seal-Trim
8	3296-29	6	Nut-Lock, NI	20	1-643107-03	1	Angle-Radiator, Top
9	3256-23	8	Washer-Flat	21	1-643106-03	1	Angle-Radiator, RH
10	1-643108-03	1	Angle-Radiator, Bottom	22	322-6	2	Screw-HH
11	1-643105-03	1	Angle-Radiator, LH				



Deck Connection Assembly

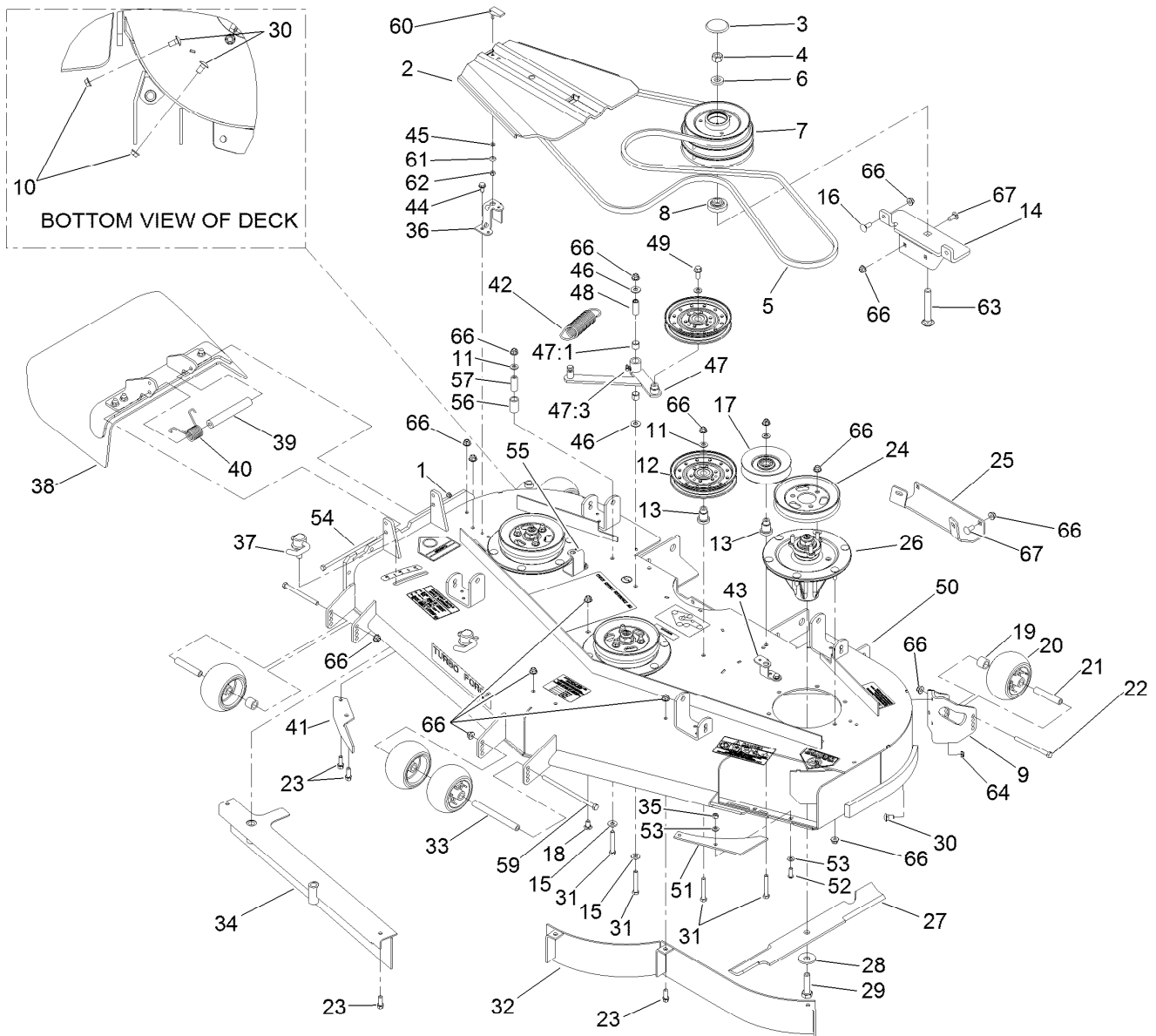
Ref.	Part Number	Qty.	Description	Ref.	Part Number	Qty.	Description
1	3253-8	2	Washer-Lock	8	3296-29	2	Nut-Lock, NI
2	3217-11	2	Nut-Hex	9	1-632199-01	2	Pin-Strut
3	32128-37	8	Nut-HF	10	322-3	2	Screw-HH
6	327-28	2	Screw-HH	11		1	Deck ASM ●
7	103-1356	2	Strut ASM	12	103-9792	4	Deck Chain ASM
7:1	1-633029	1	Balljoint-Spherical	12:1	1-633447	1	Chain-Lift, Deck
7:2	3219-6	1	Nut-Hex	12:2	103-1898	2	Screw-HH
7:4	109-1380	2	Fitting-Grease	12:3	32128-37	2	Nut-HF

● Not serviced separately



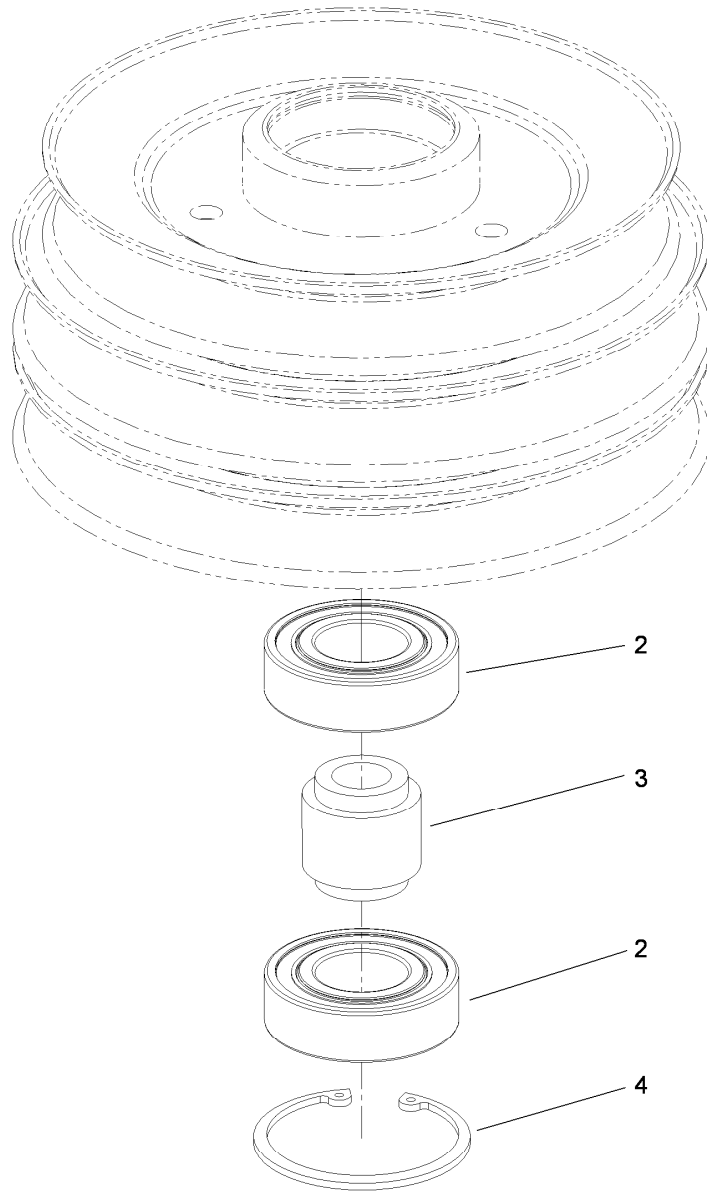
Deck Assembly

Ref.	Part Number	Qty.	Description	Ref.	Part Number	Qty.	Description
1	3296-47	1	Nut-Lock, NI	22	323-23	4	Screw-HH
2	112-8664	2	Cover-Belt	23	92-1624	6	Screw-HWH
3	112-8049	1	Cap-Plastic	24	105-7735	3	Pulley
4	3217-11	1	Nut-Hex	25	105-8792-01	1	Plate-Skid
5	107-7667	1	Belt-V	26	119-8560	3	Spindle ASM
6	105-0842	1	Spacer	27	105-7718-03	3	Blade-Hi Flow
7	114-0210	1	Pulley And Bearing ASM	28	103-0865	3	Washer-Blade Bolt, Heavy
8	112-8048	1	Spacer-Flanged	29	51-4060	3	Screw-Blade
9	106-7354-01	1	Mount-Wheel, LH	30	3231-1	7	Screw-CARR
10	3290-357	4	Nut-HHF, Whiz	31	323-12	4	Screw-HH
11	3256-24	4	Washer-Flat	32	105-7657-01	1	Baffle ASM
12	1-633109	2	Idler-Flat	33	98-5967	1	Spacer-Wheel
13	106-3214	2	Mount-Pulley	34	105-7669-01	1	Baffle ASM
14	110-5893-01	1	Mounting Bracket ASM	35	3296-29	2	Nut-Lock, NI
15	98-5975	2	Washer-Belleville	36	119-4220-01	2	Bracket-Cover
16	3231-2	2	Screw-CARR	37	107-1664	2	Lever ASM
17	1-603805	1	Pulley-Idler	38	108-2792	1	Rubber Deflector ASM
18	3231-21	1	Screw-CARR	39	105-4622	1	Spacer
19	98-7913	4	Tube-Spacer	40	108-4052	1	Spring-Torsion
20	1-603299	6	Roller-Scalp, Anti	41	106-3216-01	1	Baffle-Discharge
21	98-7912	4	Tube-Spanner	42	105-6992	1	Spring-Extension



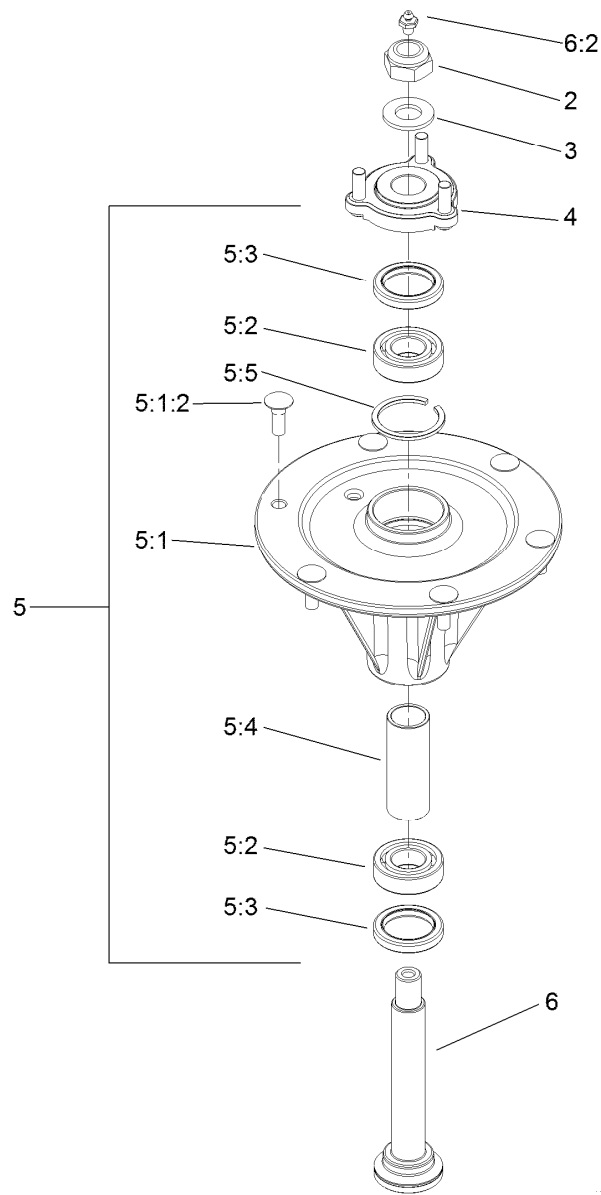
Deck Assembly (continued)

<i>Ref.</i>	<i>Part Number</i>	<i>Qty.</i>	<i>Description</i>	<i>Ref.</i>	<i>Part Number</i>	<i>Qty.</i>	<i>Description</i>
43	108-2177-01	1	Bracket-Cover, Tall	54	322-50	1	Screw-HH
44	32144-70	4	Screw-HWHTF	55	119-4221-01	1	Bracket-Cover
45	99-3058	2	Washer	56	112-8051	1	Spacer-Rubber
46	3256-4	2	Washer-Flat	57	80-7710	1	Spacer-Pivot, Idler
47	107-9868	1	Idler Arm ASM	59	108-5388	1	Screw-HH
47:1	103-4681	2	Sleeve-Bearing	60	106-6777	2	Handle-Latch, Swell
47:3	302-40	1	Fitting-Grease	61	106-6778	2	Bushing-Latch, Swell
48	1-603044	1	Bushing	62	1-804254	2	Nut-Lock, HH
49	3234-11	1	Screw-HHF	63	112-8046	1	Bolt-Carriage
50	117-3857	1	Deck Decal ASM	64	3296-59	3	Nut-Lock, NI
51	107-3137	1	Plate-Turbo	66	104-8301	51	Nut-Flange, NI
52	3274-104	2	Screw-HSBH	67	3231-27	6	Screw-CARR
53	1-303334	4	Washer-Spring				



Pulley and Bearing Assembly No. 114-0210

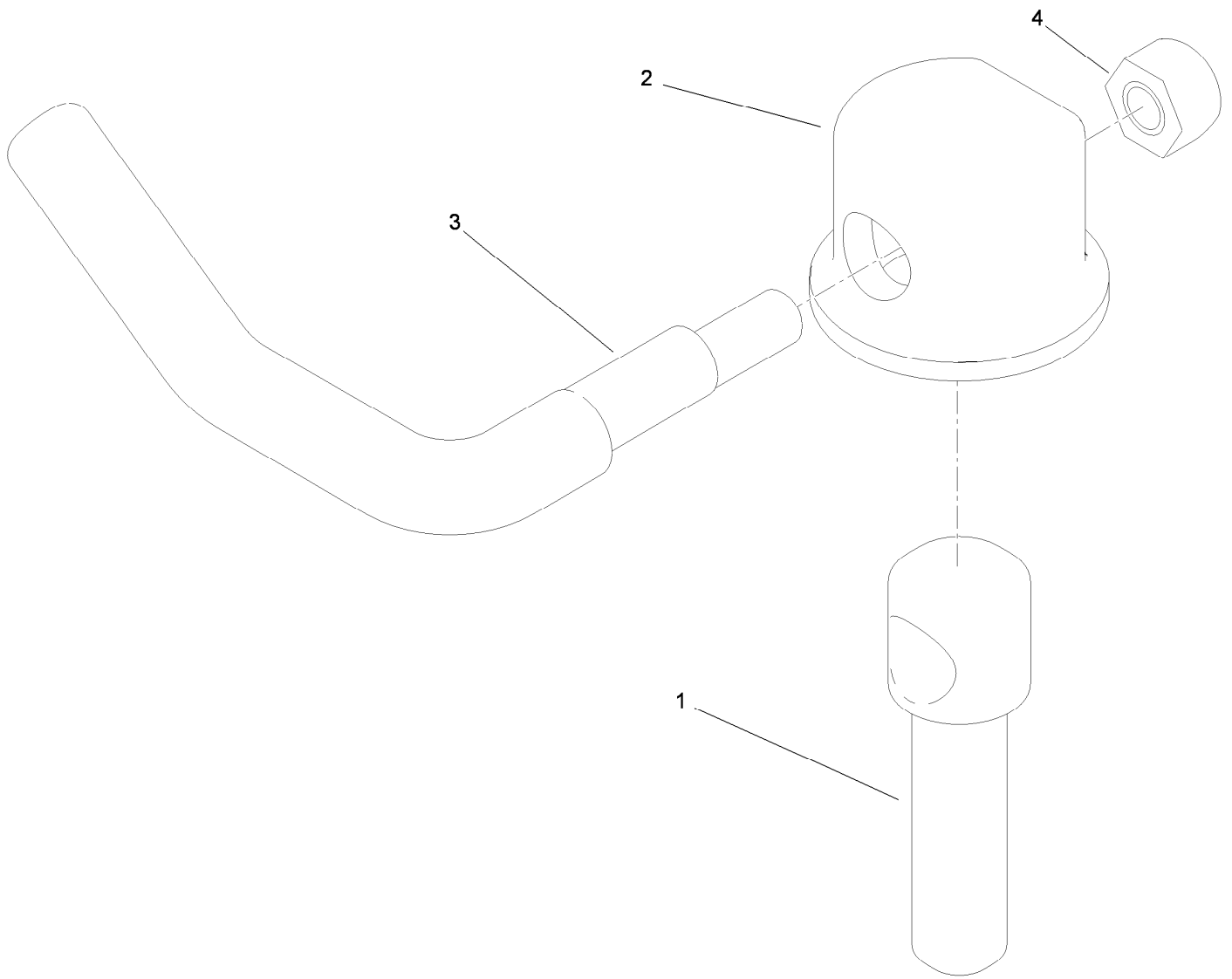
<i>Ref.</i>	<i>Part Number</i>	<i>Qty.</i>	<i>Description</i>
2	104-6325	2	Bearing-Ball
3	112-8047	1	Spacer-Bearing
4	32120-8	1	Ring-Snap



Spindle Assembly No. 119-8560

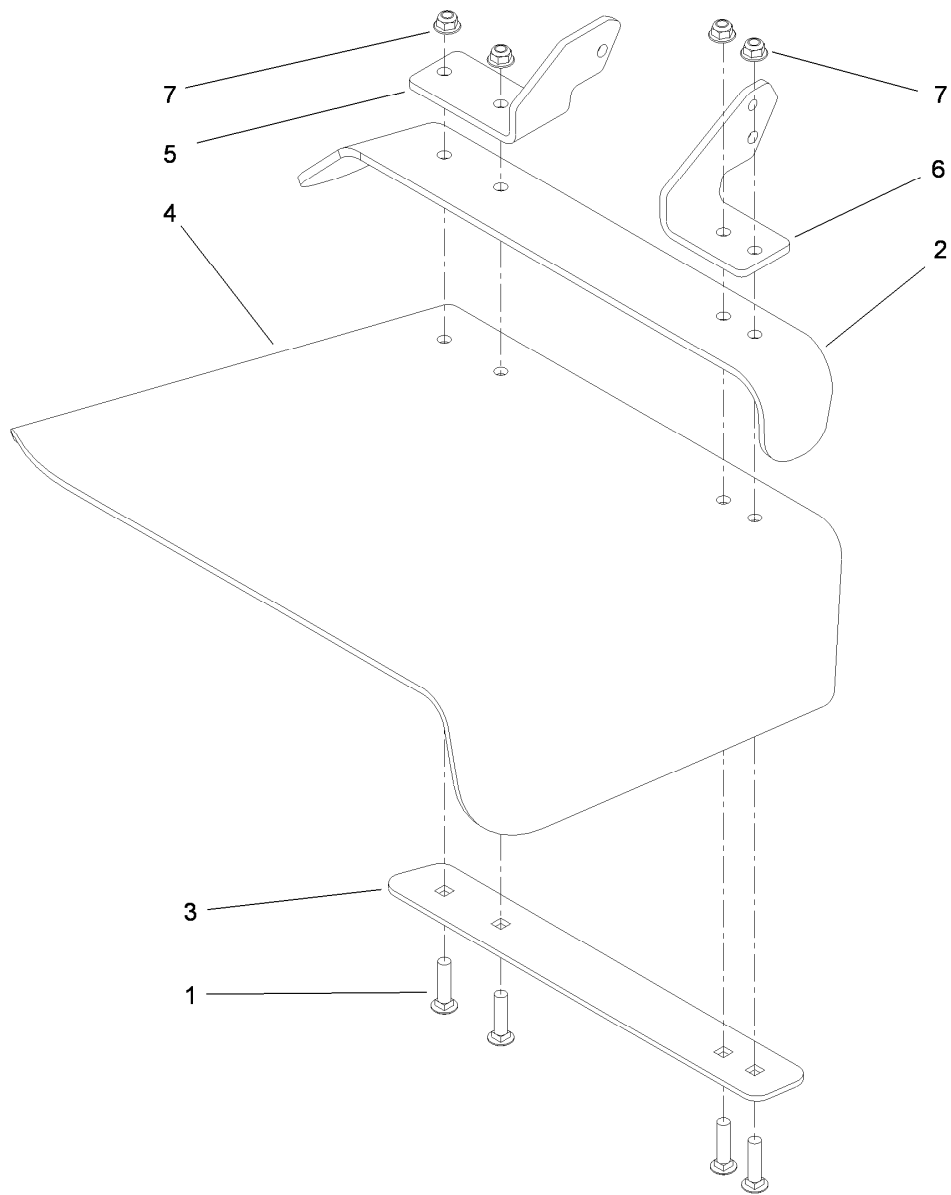
Ref.	Part Number	Qty.	Description
2	3296-67	1	Nut-Lock, NI
3	92-5836	1	Washer
4	117-6172	1	Spindle Hub ASM
5		1	Spindle Housing ASM ●
5:1		1	Spindle Housing And Studs ASM ●
5:1:2	114-8195	6	Bolt-Ribbed Neck
5:2	119-8554	2	Bearing -Noseal
5:3	253-133	2	Seal-Oil
5:4	117-6184	1	Spacer
5:5	114-8161	1	Ring-Snap
6	119-8527	1	Spindle Shaft And Zerk ASM
6:2	302-2	1	Fitting-Grease

● Not serviced separately



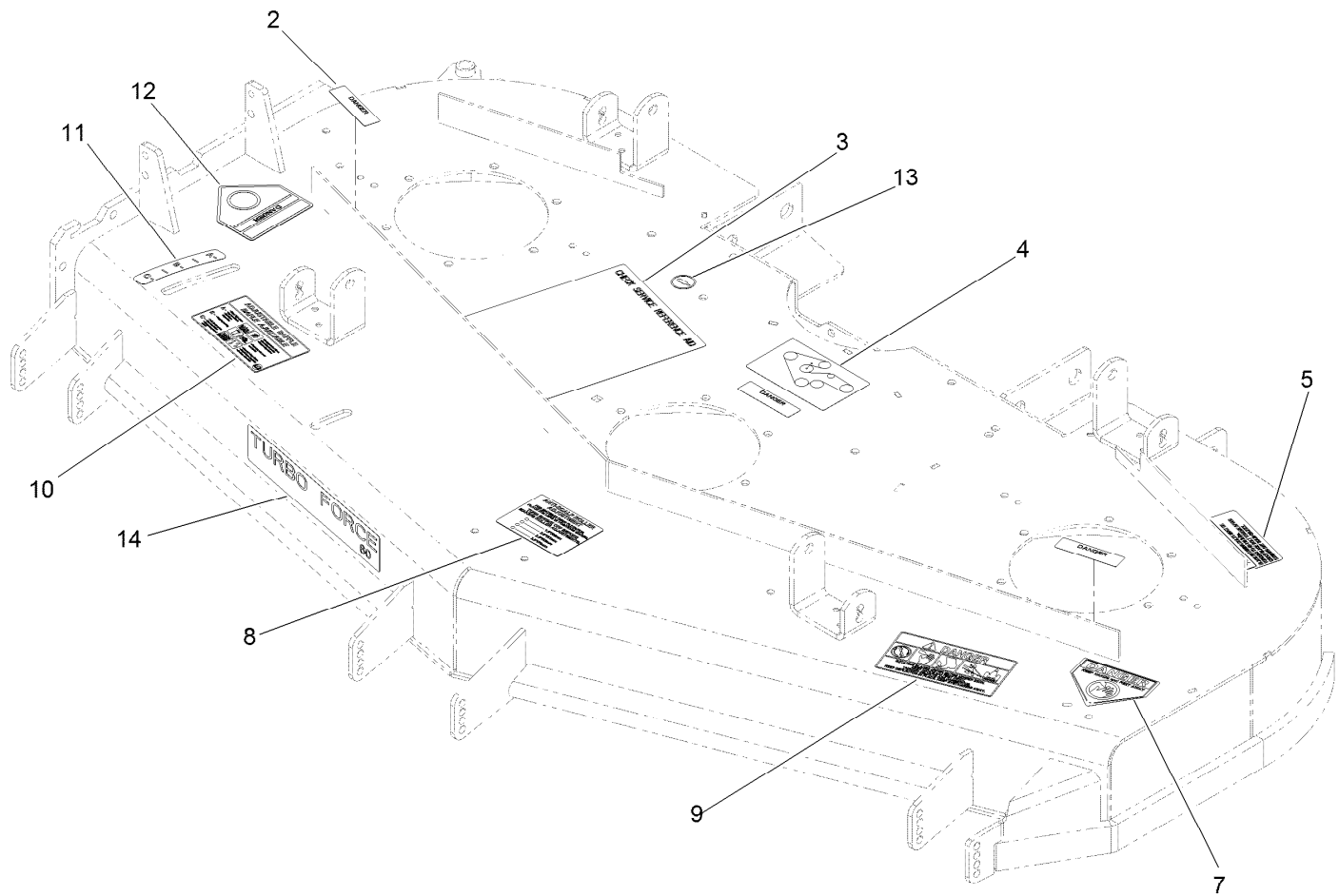
Lever Assembly No. 107-1664

<i>Ref.</i>	<i>Part Number</i>	<i>Qty.</i>	<i>Description</i>
1	106-3239	1	Screw-Lock
2	107-1644	1	Cap-Lock
3	106-3241	1	Lever-Lock
4	3296-29	1	Nut-Lock, NI



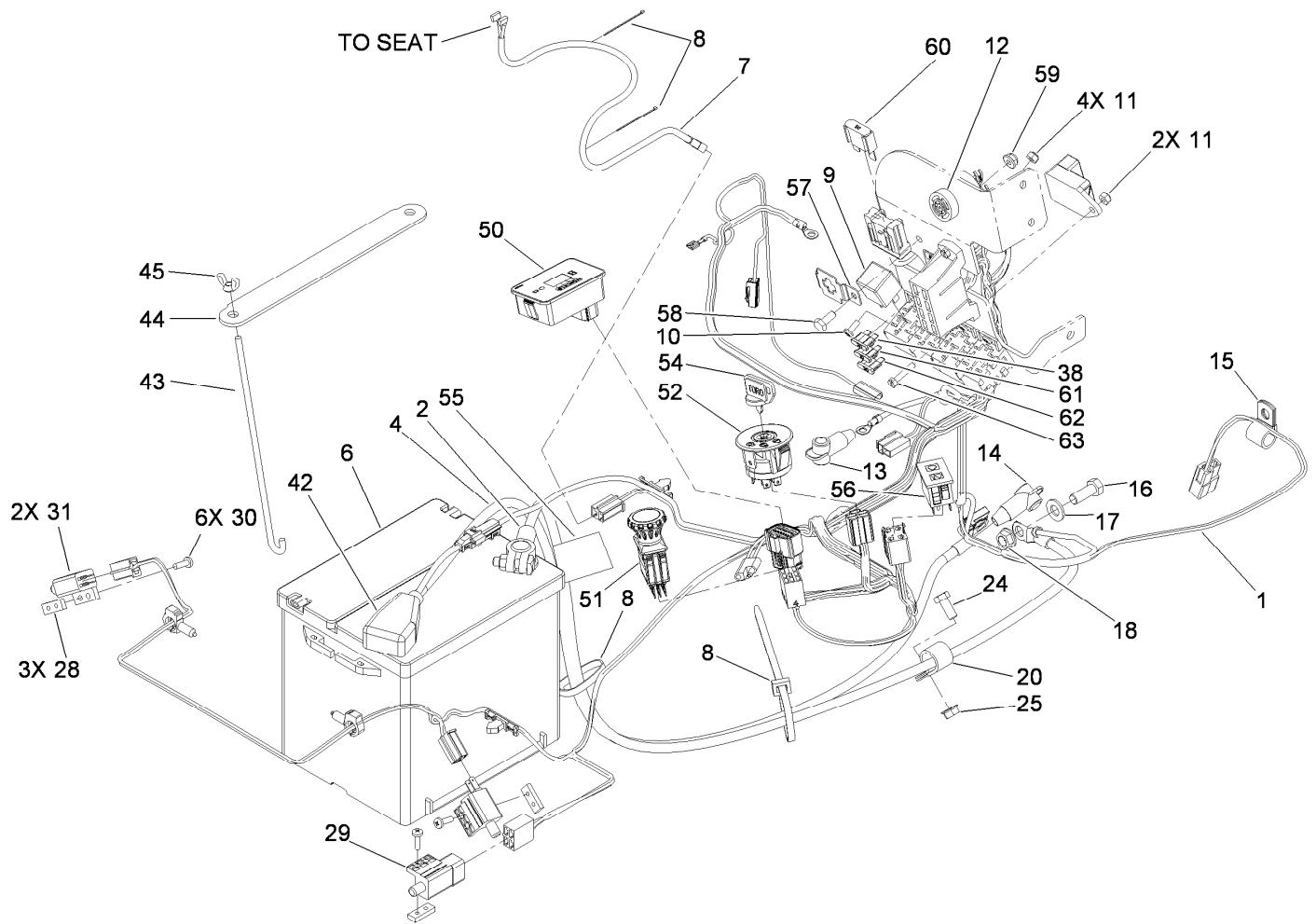
Rubber Deflector Assembly No. 108-2792

<i>Ref.</i>	<i>Part Number</i>	<i>Qty.</i>	<i>Description</i>
1	3231-4	4	Screw-CARR
2	106-3246-01	1	Deflector
3	106-3248-03	1	Strap-Discharge
4	108-5029	1	Deflector-Rubber
5	108-4059-01	1	Plate-Hinge, Rear
6	106-3253-01	1	Plate-Hinge, Front
7	104-8301	4	Nut-Flange, NI



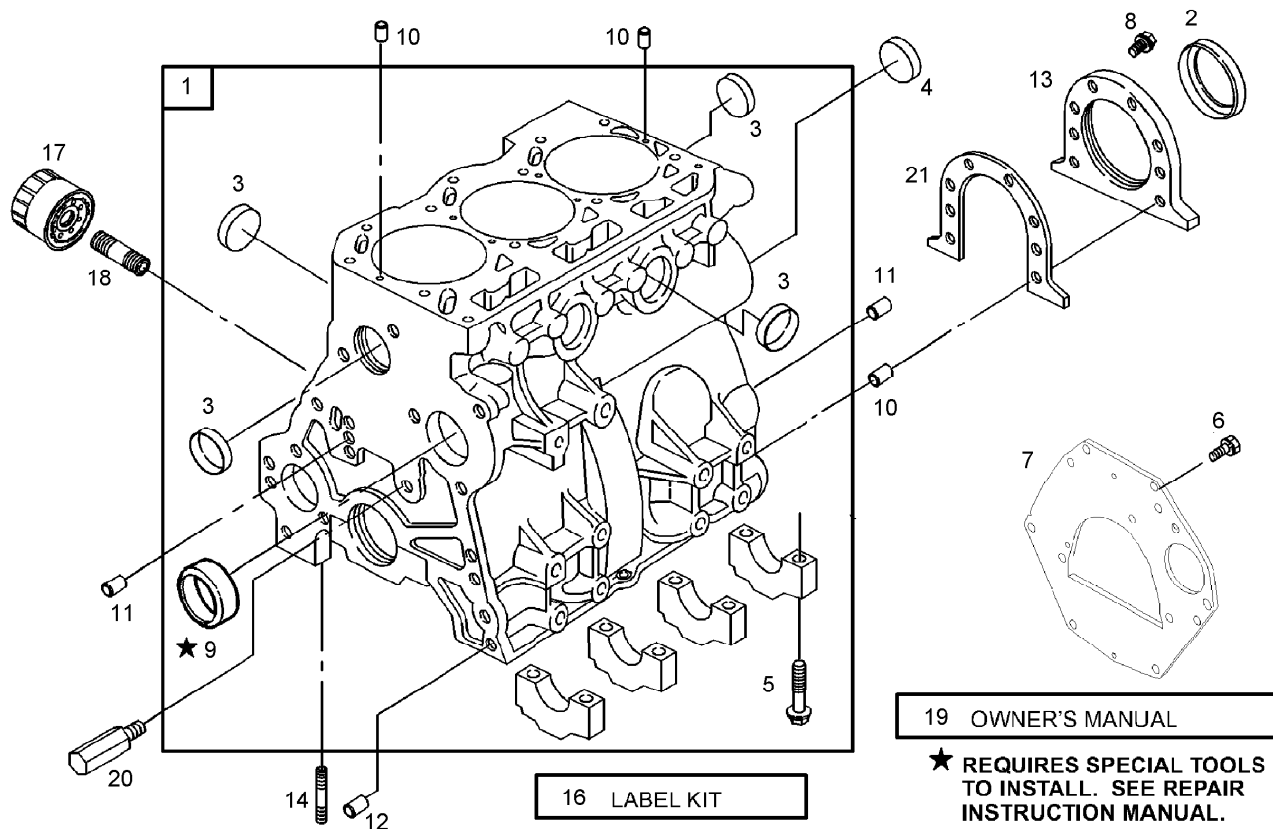
Deck Decal Assembly No. 117-3857

<i>Ref.</i>	<i>Part Number</i>	<i>Qty.</i>	<i>Description</i>
2	98-5954	3	Decal-Cover, Missing
3	107-9863	1	Decal-Check, Service
4	107-7673	1	Decal-Routing, Belt
5	68-8340	1	Decal-Torque
7	1-403005	1	Decal-Danger
8	105-7798	1	Decal-Scalp, Anti
9	66-1340	1	Decal-Danger, Thrown Object
10	110-2068	1	Decal-Adjustment, Baffle
11	110-2067	1	Decal-Setting, Baffle
12	54-9220	1	Decal-Danger
13	58-6520	1	Decal-Grease
14	107-1619	1	Decal



Electrical Assembly

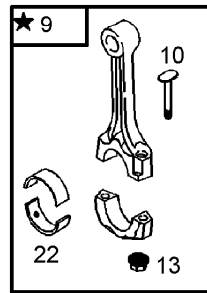
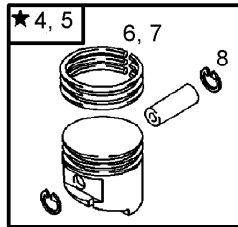
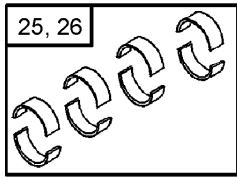
Ref.	Part Number	Qty.	Description	Ref.	Part Number	Qty.	Description
1	117-3817	1	Harness-Electrical	30	3290-500	6	Screw-PPH
2	117-3851	1	Cable-Battery, Negative	31	1-513051	2	Switch-Open, Normally
4	103-1160	1	Cable-Starter	38	1-816001	1	Fuse-Blade Type, 20 Amp
6	106-5187	1	Battery	42	103-1340	1	Insulator-Terminal, Battery
7	103-1227	1	Harness-Wiring, Seat	43	103-1312	2	Bolt-Holddown
8	1-303335	4	Tie-Plastic	44	103-1311-03	1	Holddown-Battery
9	1-643275	4	Relay	45	1-543792	2	Wingnut
10	1-803071	4	Screw	50	112-8650	1	Hour Meter ASM
11	3296-2	6	Nut-Lock, NI	51	116-0124	1	Switch-PTO, 10A
12	103-0205	1	Alarm-Tone, Dual	52	117-2221	1	Switch-Ignition
13	1-643178	1	Cap-Insulator, Red	54	63-8360	2	Key-Ignition
14	103-1420	1	Insulator-Starter	55	107-9309	1	Decal-Instructions, Charging
15	1-603727	1	Clip-Loom	56	100-8071	1	Lamp-Warning
16	323-6	1	Screw-HH	57	114-5502	1	Clip-Fuse
17	3256-24	1	Washer-Flat	58	321-3	1	Screw-HH
18	3290-357	1	Nut-HHF, Whiz	59	104-7201	1	Nut-HF
20	1-633396	1	Clip-Loom	60	94-8002	1	Fuse-Blade, 50 Amp
24	322-3	1	Screw-HH	61	218-578	1	Fuse-Blade, 10 Amp
25	32128-20	1	Nut-HF	62	109103	1	Fuse-Blade, 30 Amp
28	1-633181	3	Plate-Tapped	63	32105-12	2	Screw
29	1-633111	1	Switch				



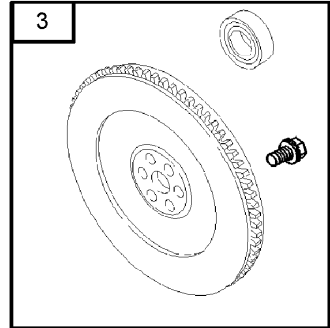
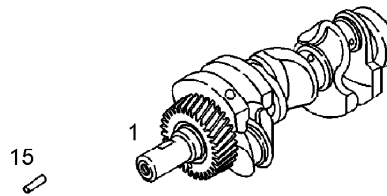
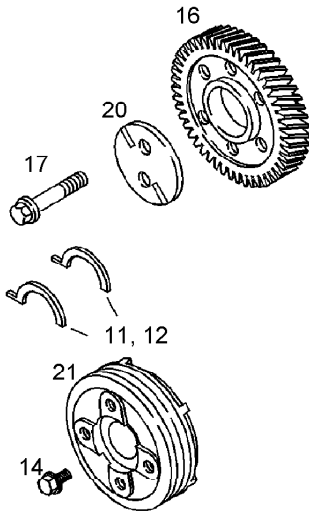
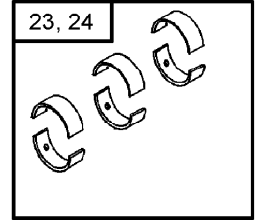
Assemblies include all parts shown in frames.

Cylinder Assembly

Ref.	Part Number	Qty.	Description
1	107-9891	1	Cylinder ASM
2	99-9003	1	Seal-Oil
3	99-9008	1	Plug-Welch
4	107-9892	1	Plug-Welch (Cam)
5	99-9006	1	Screw-Hex
6	99-9005	1	Screw-Hex
7	107-9893	1	Plate-End, Rear
8	99-9004	1	Screw-Hex
9	99-9002	1	Bushing
10	99-9012	1	Pin-Locating
11	99-9013	1	Pin-Locating
12	99-9014	1	Pin-Locating
13	99-9022	1	Retainer-Seal
14	99-9007	1	Stud-Metric
16	107-9894	1	Kit-Label
17	99-9017	1	Filter-Oil
18	105-9337	1	Adapter-Filter, Oil
19	103-1384	1	Manual-Engine
20	99-9020	1	Nozzle-Oil
21	99-9021	1	Gasket-Retainer



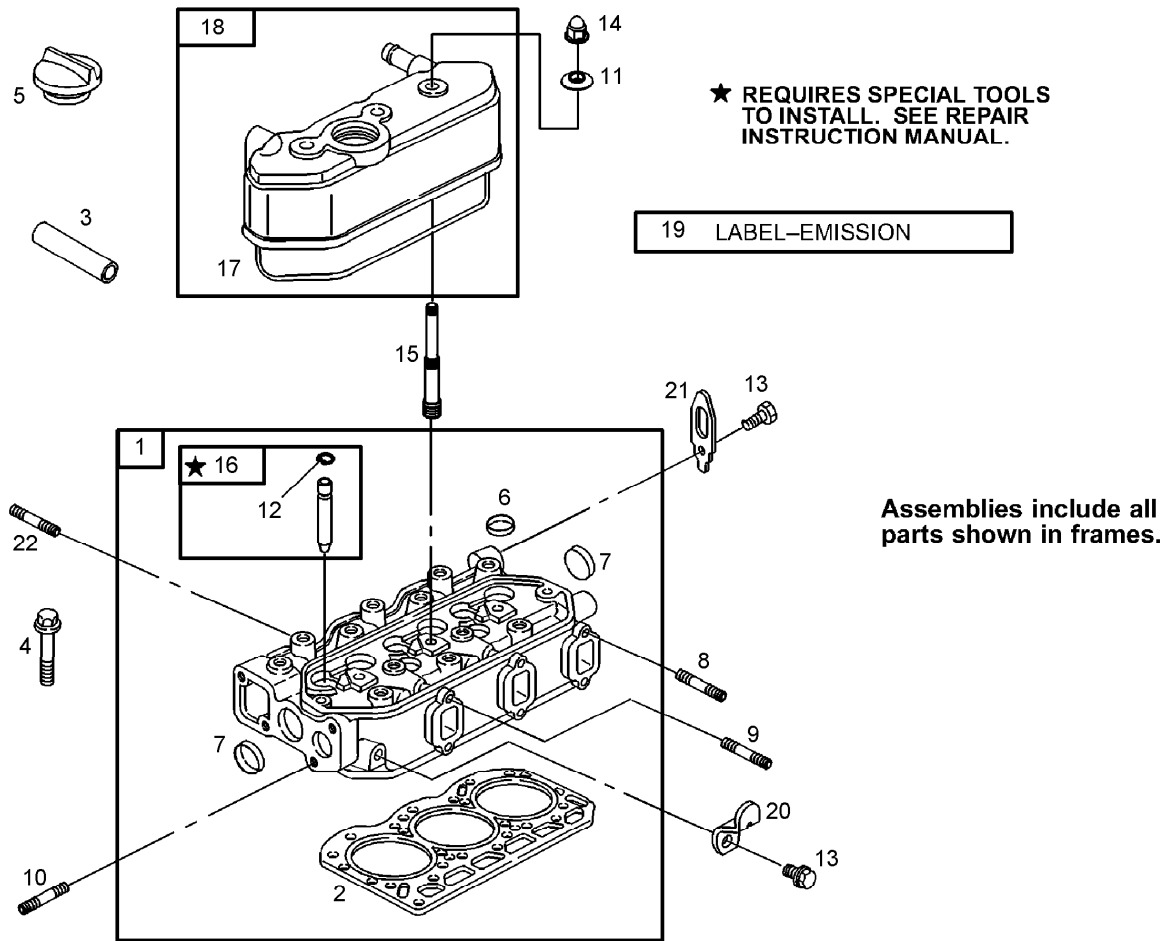
★ REQUIRES SPECIAL TOOLS TO INSTALL. SEE REPAIR INSTRUCTION MANUAL.



Assemblies include all parts shown in frames.

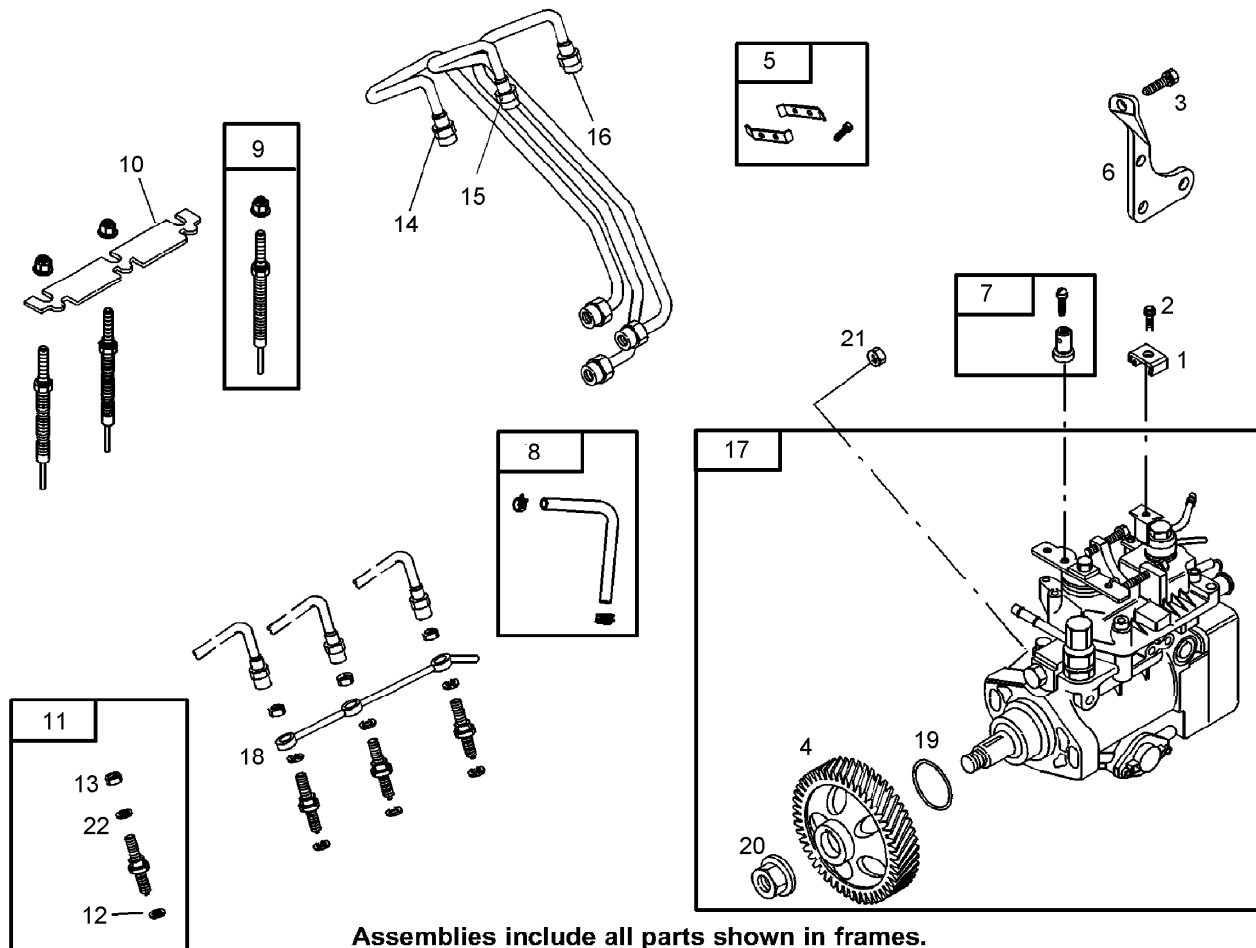
Crankshaft Assembly

Ref.	Part Number	Qty.	Description
1	105-9339	1	Crankshaft
3	99-9024	1	Flywheel
4	107-9895	1	Piston ASM
5	107-9896	1	Piston ASM (Oversize)
6	105-9340	1	Ring Set
7	99-9269	1	Ring Set (.010 Oversized)
8	99-9607	1	Lock-Pin, Piston
9	99-9608	1	Rod-Connecting
10	99-9030	1	Screw
11	99-9035	1	Shim-Endplay
12	99-9036	1	Shim-Endplay (.005 Oversized)
13	99-9034	1	Nut-Hex
14	107-9897	1	Screw-Hex
15	99-9037	1	Pin-Locating
16	99-9609	1	Gear-Drive
17	99-9032	1	Screw-Hex
20	99-9040	1	Plate-Gear, Idler
21	99-9041	1	Pulley-Crankshaft
22	99-9042	1	Bearing-Rod
23	99-9043	1	Rod Bearing Set
24	99-9044	1	Rod Bearing Set (.010 Undersized)
25	99-9045	1	Main Bearing Set (Set Of 8)
26	99-9046	1	Main Bearing Set (.010 Undersized)



Cylinder Head Assembly

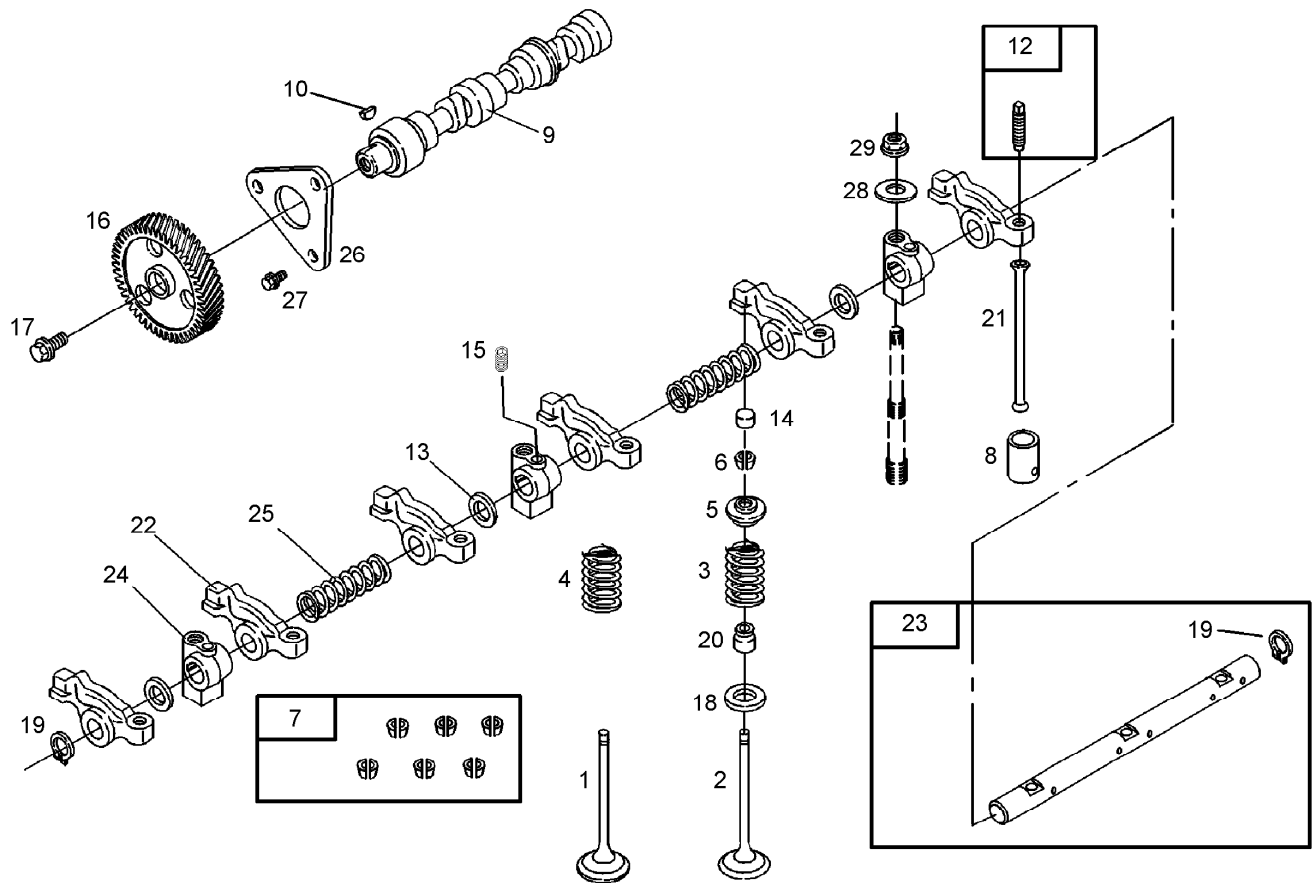
Ref.	Part Number	Qty.	Description
1	105-9341	1	Head-Cylinder
2	107-9898	1	Gasket-Head, Cylinder
3	105-9342	1	Tube-Breather
4	99-9614	1	Screw-Metric
5	99-9052	1	Cap-Fill, Oil
6	99-9060	1	Plug-Welch
7	99-9008	1	Plug-Welch
8	99-9058	1	Stud-Metric
9	99-9059	1	Stud-Metric
10	99-9057	1	Stud-Metric
11	99-9063	1	Washer-Seal
12	99-9067	1	Retainer
13	99-9054	1	Screw-Hex
14	99-9061	1	Nut-Hex, Metric
15	99-9101	1	Stud-Arm, Rocker
16	99-9070	1	Bushing-Guide
17	99-9073	1	Gasket-Cover, Rocker
18	100-6402	1	Cover-Rocker
19	107-9899	1	Emmision Label Kit
20	99-9076	1	Bracket-Lifting
21	99-9077	1	Bracket-Lifting
22	99-9055	1	Stud-Metric



Assemblies include all parts shown in frames.

Injection Pump Assembly

Ref.	Part Number	Qty.	Description
1	99-9622	1	Clamp-Casing
2	99-9056	1	Screw-Hex
3	99-9616	1	Screw-Hex
4	99-9689	1	Gear-Drive
5	99-9625	1	Clamp
6	99-9626	1	Bracket-Support
7	99-9628	1	Clamp-Swivel
8	99-9629	1	Hose / Clamp ASM
9	99-9630	1	Plug-Glow
10	99-9631	1	Strap-Plug, Glow
11	99-9632	1	Nozzle-Injector
12	99-9633	1	Seat-Injector
13	105-9345	1	Nut
14	99-9690	1	Pipe-Injector, No. 1
15	99-9634	1	Pipe-Injector, No. 2
16	99-9635	1	Pipe-Injector, No. 3
17	105-9334	1	Pump-Injection
18	99-9637	1	Pipe-Return, Fuel
19	99-9618	1	O-Ring
20	99-9620	1	Nut-Hex, Metric
21	99-9619	1	Nut-Hex, Metric
22	105-9343	1	Seat-Injector

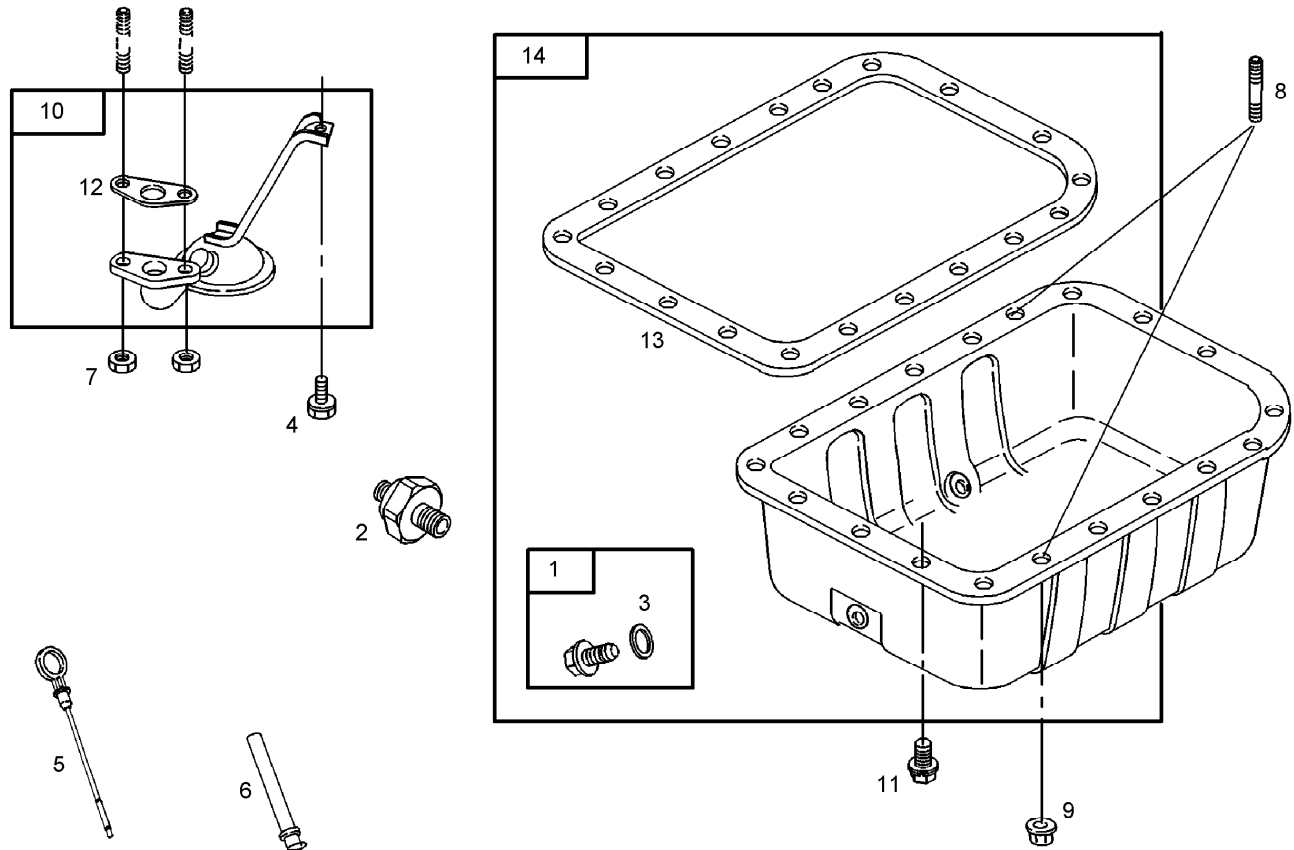


Assemblies include all parts shown in frames.

Camshaft Assembly

Ref.	Part Number	Qty.	Description
1	99-9638	1	Valve-Exhaust
2	99-9639	1	Valve-Intake
3	99-9640	1	Spring-Valve
4	99-9640	1	Spring-Valve
5	99-9084	1	Retainer-Valve
6	99-9086	1	Keeper-Valve (Set)
7	99-9087	1	*obs* Keeper-Valve (Set Of 6)
8	99-9088	1	Tappet-Valve
9	99-9097	1	Shaft-Cam
10	99-9675	1	Key-Timing
12	99-9092	1	Adjuster-Arm, Rocker
13	99-9093	1	Washer-Spacer
14	99-9094	1	Cap-Valve
15	99-9090	1	Screw-Metric

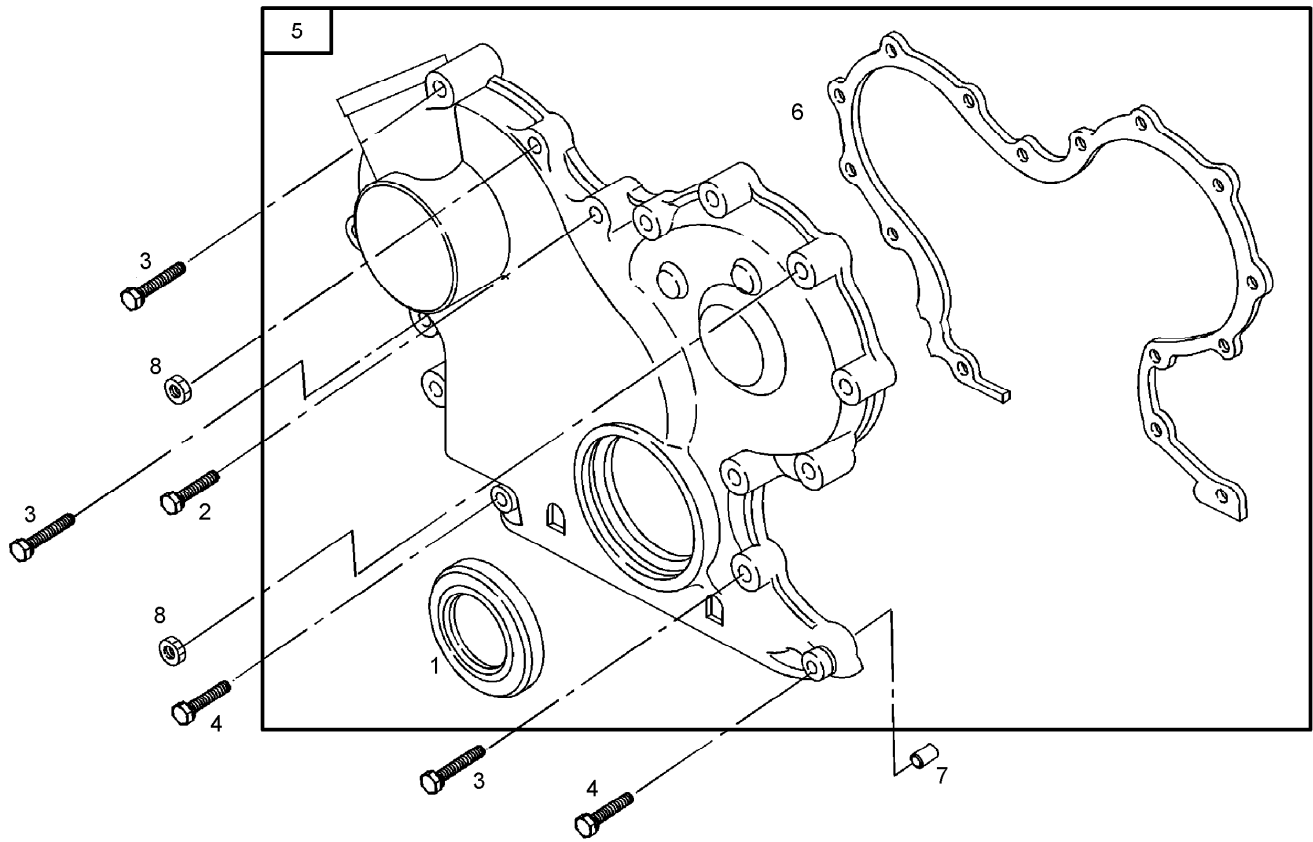
Ref.	Part Number	Qty.	Description
16	99-9641	1	Gear-Cam
17	99-9085	1	Screw-Metric
18	99-9096	1	Seat-Spring, Valve
19	99-9099	1	Retainer
20	99-9643	1	Seal-Valve
21	99-9103	1	Rod-Push
22	99-9104	1	Arm-Rocker
23	99-9106	1	Shaft-Arm, Rocker
24	99-9107	1	Support-Arm, Rocker
25	99-9108	1	Spring-Shaft, Rocker
26	99-9109	1	Retainer-Camshaft
27	99-9083	1	Screw-Hex
28	99-9079	1	Washer-Flat
29	99-9091	1	Nut-Hex, Metric



Assemblies include all parts shown in frames.

Oil Pan Assembly

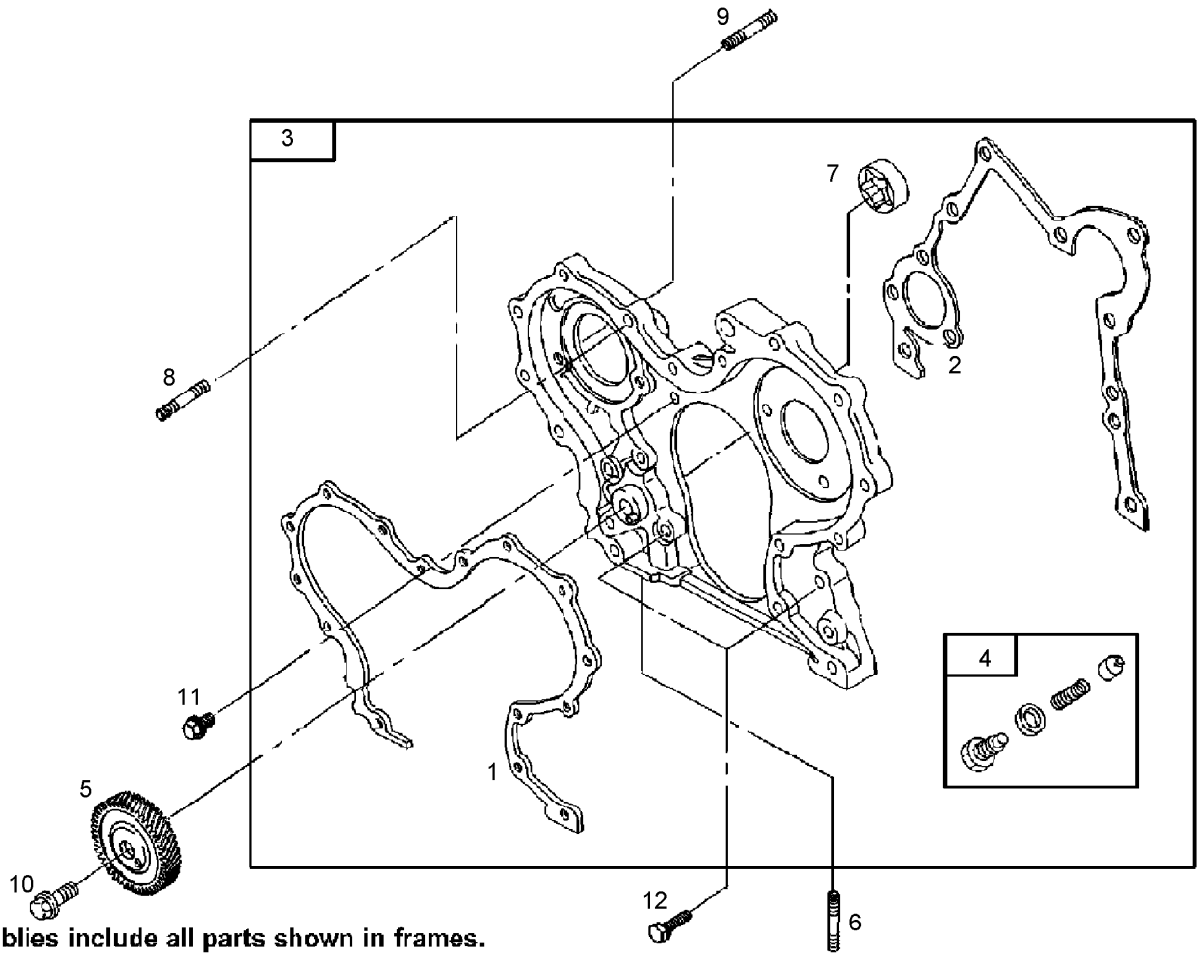
<i>Ref.</i>	<i>Part Number</i>	<i>Qty.</i>	<i>Description</i>
1	99-9247	1	Plug-Drain, Oil
2	107-9908	1	Switch-Pressure, Oil
3	99-9249	1	Washer-Seal
4	99-9111	1	Screw-Hex
5	110-2597	1	Dipstick
6	99-9118	1	Tube-Dipstick
7	99-9114	1	Nut-Hex, Metric
8	99-9112	1	Stud-Metric
9	99-9113	1	Nut-Hex, Metric
10	99-9116	1	Screen-Pump, Oil
11	99-9111	1	Screw-Hex
12	99-9120	1	Gasket-Strainer, Oil
13	99-9121	1	Gasket-Pan, Oil
14	99-9241	1	Pan-Oil



Assemblies include all parts shown in frames.

Gear Cover Assembly

<i>Ref.</i>	<i>Part Number</i>	<i>Qty.</i>	<i>Description</i>
1	115-2318	1	Gasket Kit
2	99-9651	1	Screw-Hex
3	99-9128	1	Screw-Hex
4	99-9129	1	Screw-Hex
5	99-9652	1	Gear Cover ASM
6	99-9653	1	Gasket-Cover, Gear
7	99-9014	1	Pin-Locating
8	99-9114	1	Nut-Hex, Metric

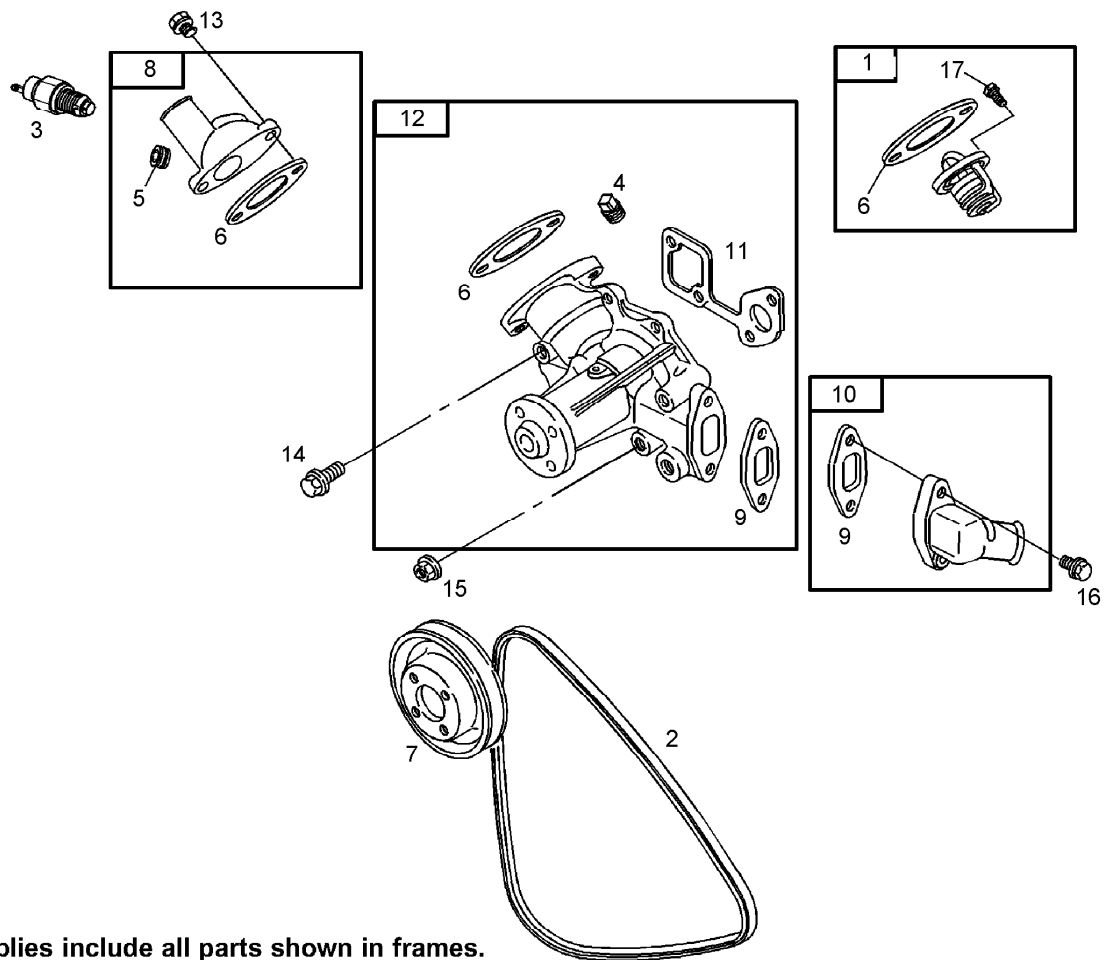


Assemblies include all parts shown in frames.

Gear Housing Assembly

<i>Ref.</i>	<i>Part Number</i>	<i>Qty.</i>	<i>Description</i>
1	99-9653	1	Gasket-Cover, Gear
2	99-9136	1	Gasket-Cover, Gear Reduction
3	99-9655	1	Housing-Gear
4	99-9142	1	Valve-Relief, Oil
5	99-9656	1	Gear-Drive
6	99-9007	1	Stud-Metric
7		1	Gerotor ●
8	99-9137	1	Stud-Metric
9	99-9654	1	Stud-Metric
10	99-9135	1	Screw-Hex
11	99-9134	1	Screw-Hex
12	99-9133	1	Screw-Hex

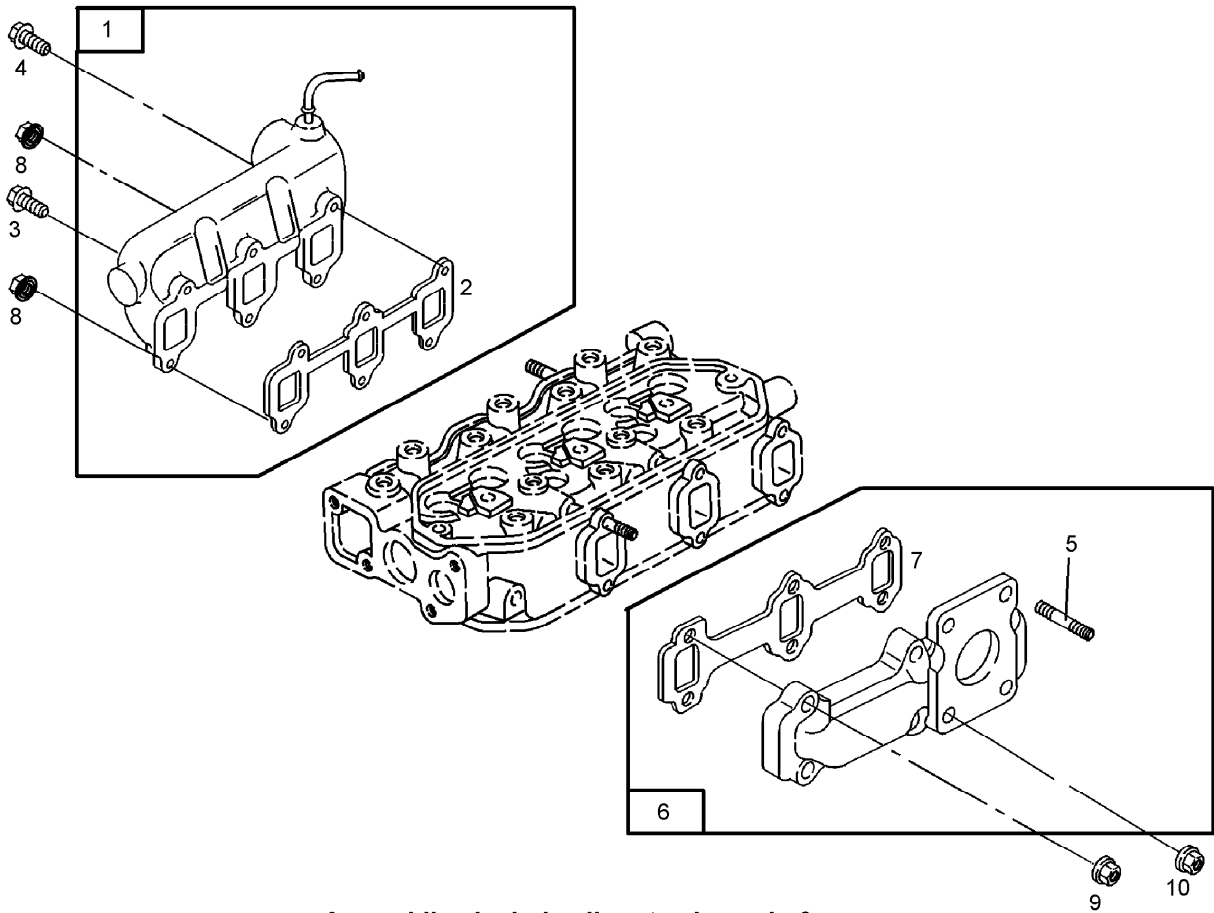
● Not serviced separately



Assemblies include all parts shown in frames.

Water Pump Assembly

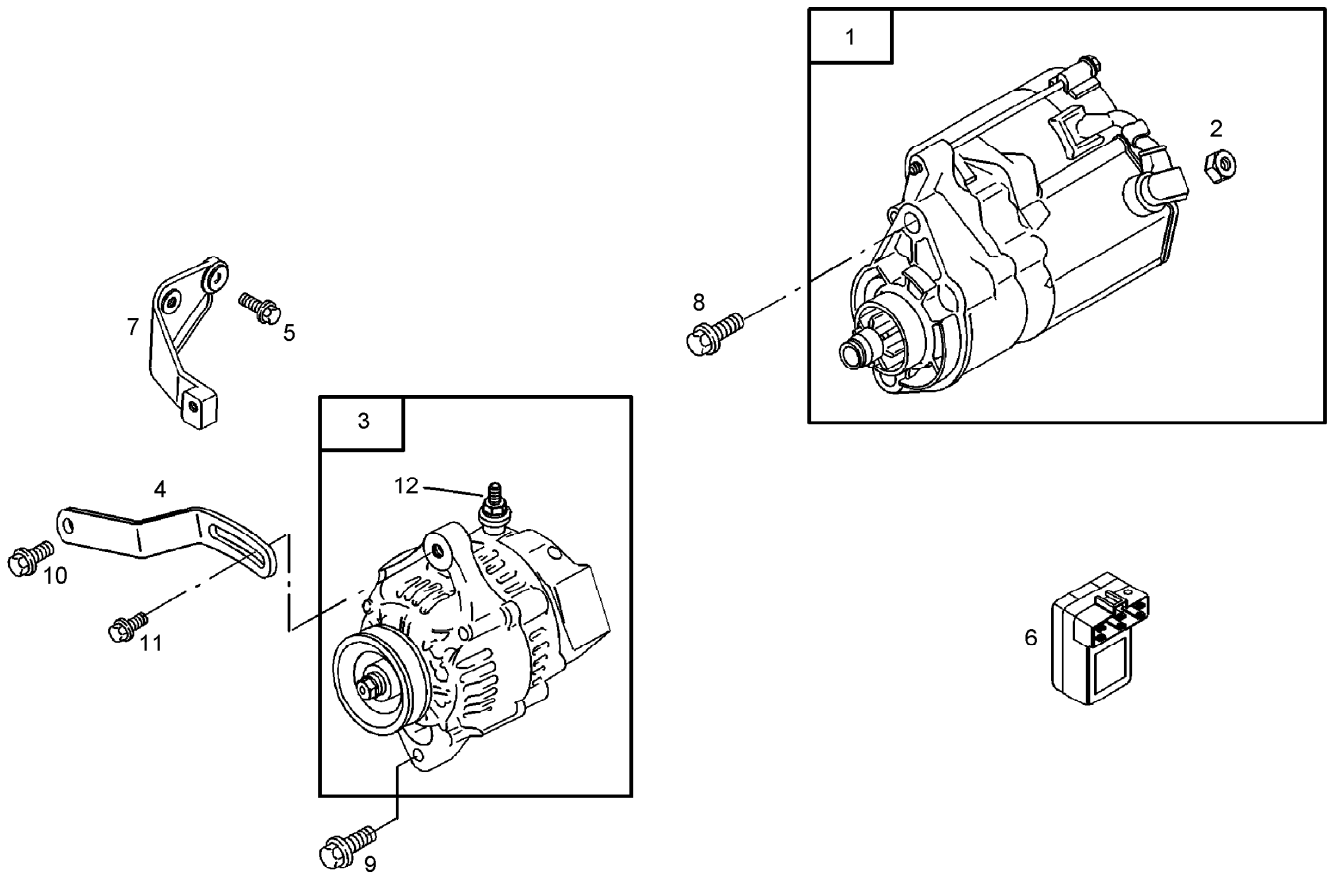
<i>Ref.</i>	<i>Part Number</i>	<i>Qty.</i>	<i>Description</i>
1	99-9155	1	Thermostat
2	99-9156	1	Belt-V
3	107-9902	1	Switch-Temperature, Water
4	99-9159	1	Plug
5	99-9158	1	Plug
6	99-9163	1	Gasket-Housing, Outlet
7	99-9164	1	Pulley-Pump
8	99-9165	1	Housing-Outlet
9	99-9166	1	Gasket-Housing, Inlet
10	99-9167	1	Housing-Inlet
11	99-9168	1	Gasket-Pump, Water
12	99-9659	1	Pump-Water
13	99-9004	1	Screw-Hex
14	99-9151	1	Screw-Hex
15	99-9153	1	Nut-Hex, Metric
16	99-9004	1	Screw-Hex
17	99-9152	1	Screw-Metric



Assemblies include all parts shown in frames.

Manifold Assembly

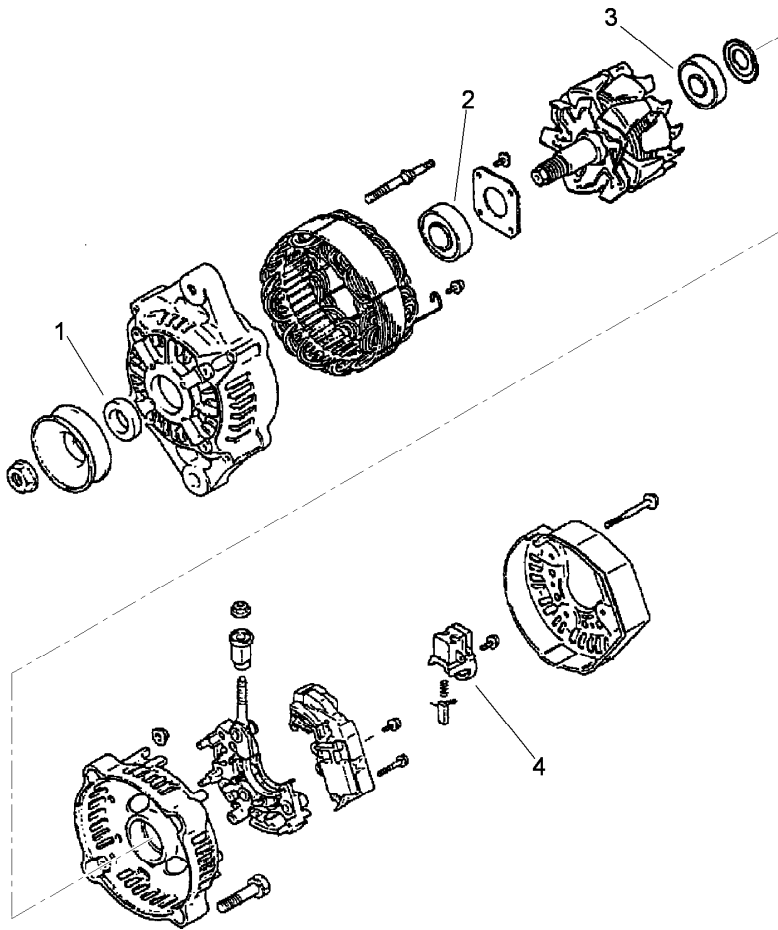
<i>Ref.</i>	<i>Part Number</i>	<i>Qty.</i>	<i>Description</i>
1	99-9661	1	Manifold-Intake
2	99-9662	1	Gasket-Intake
3	99-9004	1	Screw-Hex
4	99-9660	1	Screw-Hex
5	99-9174	1	Stud-Manifold, Exhaust
6	99-9177	1	Manifold-Exhaust
7	106-1855	1	Gasket-Exhaust
8	99-9114	1	Nut-Hex, Metric
9	99-9175	1	Nut-Hex, Metric
10	99-9176	1	Nut-Hex



Assemblies include all parts shown in frames.

Starter Motor and Alternator Assembly

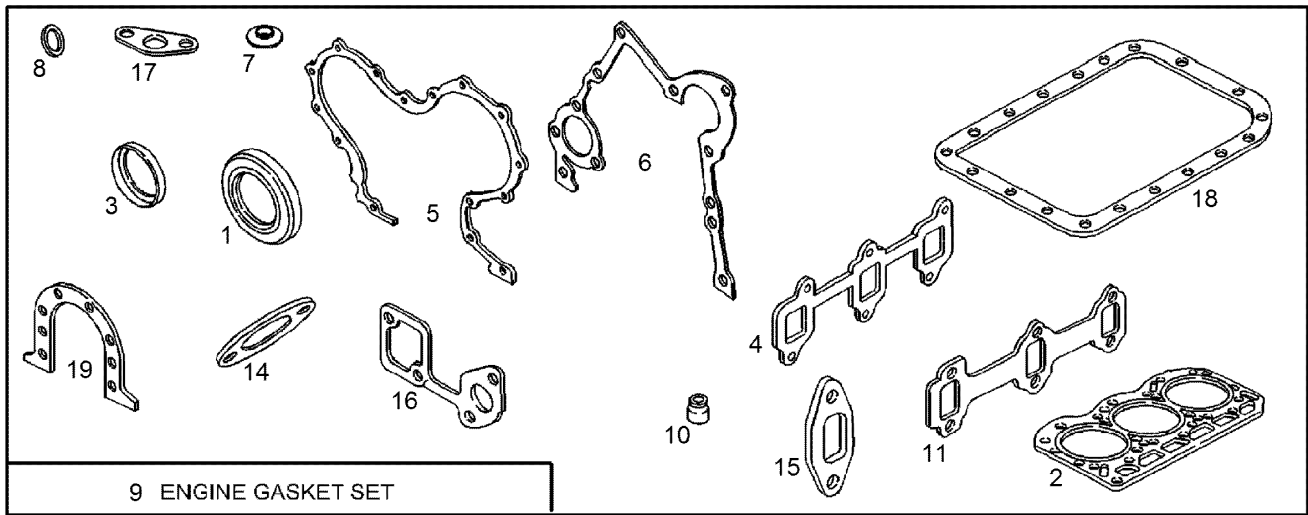
<i>Ref.</i>	<i>Part Number</i>	<i>Qty.</i>	<i>Description</i>
1	99-9207	1	Motor-Starter
2	99-9206	1	Nut-Hex, Metric
3	99-9209	1	Alternator
4	106-1952	1	Strap-Adjusting
5	99-9203	1	Screw-Hex
6	99-9666	1	Module
7	99-9211	1	Bracket-Support
8	99-9201	1	Screw-Hex
9	99-9205	1	Screw-Hex, Metric
10	99-9202	1	Screw-Hex
11	107-9903	1	Screw-Hex, Metric
12	99-9114	1	Nut-Hex, Metric



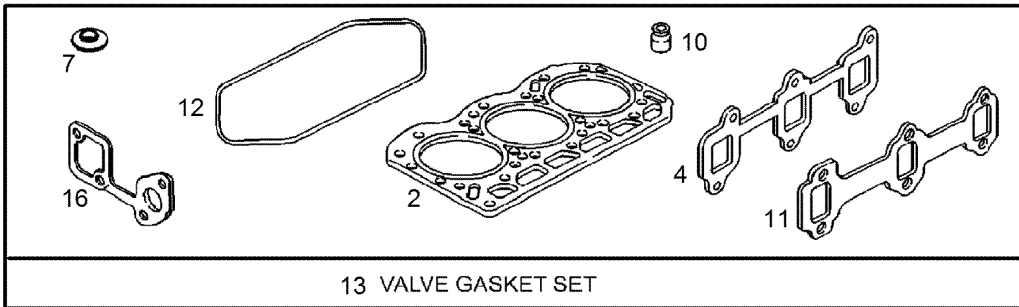
Parts not listed in parts list are not serviced separately

Alternator Assembly No. 99-9209

<i>Ref.</i>	<i>Part Number</i>	<i>Qty.</i>	<i>Description</i>
1	100-5315	1	Collar
2	100-5316	1	Bearing
3	100-5317	1	Bearing
4	100-5318	1	Brush Holder ASM



9 ENGINE GASKET SET



13 VALVE GASKET SET

Assemblies include all parts shown in frames

Gasket Assembly

Ref.	Part Number	Qty.	Description	Ref.	Part Number	Qty.	Description
1	99-9003	1	Seal-Oil	10	99-9643	1	Seal-Valve
2	107-9898	1	Gasket-Head, Cylinder	11	106-1855	1	Gasket-Exhaust
3	115-2318	1	Gasket Kit	12	99-9073	1	Gasket-Cover, Rocker
4	99-9662	1	Gasket-Intake	13	107-9907	1	Valve Overhaul Kit
5	99-9653	1	Gasket-Cover, Gear	14	99-9163	1	Gasket-Housing, Outlet
6	99-9136	1	Gasket-Cover, Gear Reduction	15	99-9166	1	Gasket-Housing, Inlet
7	99-9063	1	Washer-Seal	16	99-9168	1	Gasket-Pump, Water
8	99-9249	1	Washer-Seal	17	99-9120	1	Gasket-Strainer, Oil
9	107-9906	1	Gasket Set	18	99-9121	1	Gasket-Pan, Oil
				19	99-9021	1	Gasket-Retainer

Attachments and Accessories

For 74268 Z590-D Z Master, With 60in TURBO FORCE Side Discharge Mower

Product Name	Model/Part
Spark Arrester Kit	105-1673
Blade-Mid Flow, 20.5 inch.....	105-7715-03
Blade-Lo Flow, 20.5 inch.....	105-7716-03
Blade-Hi Flow, 20.5 inch	105-7718-03
Blade-Recycler, 20.5 inch	105-7777-03
Blade-Atomic, 20.5 inch.....	105-8777-03
Recycler Kit	107-1611
Striping Kit	107-1630
Turbo Baffle Kit	107-1634
Light Kit.....	107-9880
6 Pack Blade, 20.5 inch Hi-Flow	108-1114
6 Pack-Blade, 20.5 inch Atomic	108-1115
6 Pack Blade, 20.5 inch Mid-Flow	108-1123
6 Pack-Blade, 20.5 inch Lo Flow.....	108-1128
Roller Striping Kit.....	108-2162
6 Pack-Blade, 20.5 inch Recycler	110-0405
Hitch Kit	110-0444
Cool Top ROPS Mounted Fan.....	110-1996
Hypr-Oil 500 (quart)	114-4713
Hypr-Oil 500 (gallon).....	114-4714
Hypr-Oil 500-5 (5 gallon).....	114-4715
Bimini Folding Shade Assembly	115-4510
Chute Gate Kit	78521
Triple Bag Assembly	78534
Blower and Drive Kit	78538
DFS E-Z Vac Bagger	78544
Filter Minder Gauge	99-4664



Count on it.