



Count on it.

Parts Catalog

Workman® MD Utility Vehicle

Model No. 07279—Serial No. 311000501 and Up

Ordering Replacement Parts

To order replacement parts, please supply the part number, the quantity, and the description of each part desired.

Understanding Reference Numbers

Each identified part in an illustration has a reference number. The reference number for a part also appears in the parts list, along with other information about the part.

This catalog uses two special reference number formats, one to indicate parts in a service assembly and another to indicate the quantity of a given part in an illustration.

Service Assembly Reference Numbers

Parts in service assemblies have reference numbers in the form a:b. The a represents the reference number of the entire service assembly and the b represents a sequential number unique to each part within the service assembly.

For example, a wheel assembly might be identified by reference number 6, the tire by 6:1, the valve by 6:2, and the wheel by 6:3. When you order the assembly identified by reference number 6, you receive all parts identified by reference numbers 6:1, 6:2, and 6:3. However, you may also order any part individually. Reference numbers of this type appear in illustration and in parts lists.

Reference Numbers Indicating Quantity

In an illustration, if a reference number indicates more than one part, the reference number has the form nX y. The n represents the quantity of the part, the X is the multiplication symbol, and the y represents the reference number.

For example, in an illustration, the reference number 2X 37 means that two of the parts identified by reference number 37 are indicated.

List of Abbreviations

AR: as required

ASM: assembly

BBC: blade brake control

BHTF: button head thread forming

CARR: carriage

CCW: counter clockwise

CW: clockwise

DEG: degrees

DPA: Dual Point Adjustment

ECM: electronic control module

EXT: external

FH: flat head

GA: gauge

HD: heavy-duty

HF: hex flange

HH: hex head

HHF: hex head flange

HHFTF: hex head flange thread forming

HJ: hex jam

HLH: hex lag head

HOC: height-of-cut

HSBH: hex socket button head

HSFH: hex socket flat head

HSH: hex socket head

HWH: hex washer head

HWTF: hex washer head thread forming

HYD: hydraulic

LH: left hand

LP: Liquid Propane

NI: nylon insert

NPTF: national pipe thread fine

PFH: phillips flat head

PPH: phillips pan head

PPHTF: phillips pan head thread forming

PRH: phillips round head

PTH: phillips truss head

PTO: power-take-off

RH: right hand

ROPS: roll-over protection system

RRB: rear roller brush

SFH: slotted fillister head

SHH: slotted hex head

SHWH: slotted hex washer head

SPH: slotted pan head

SQH: square head

SRH: slotted round head

STD: standard

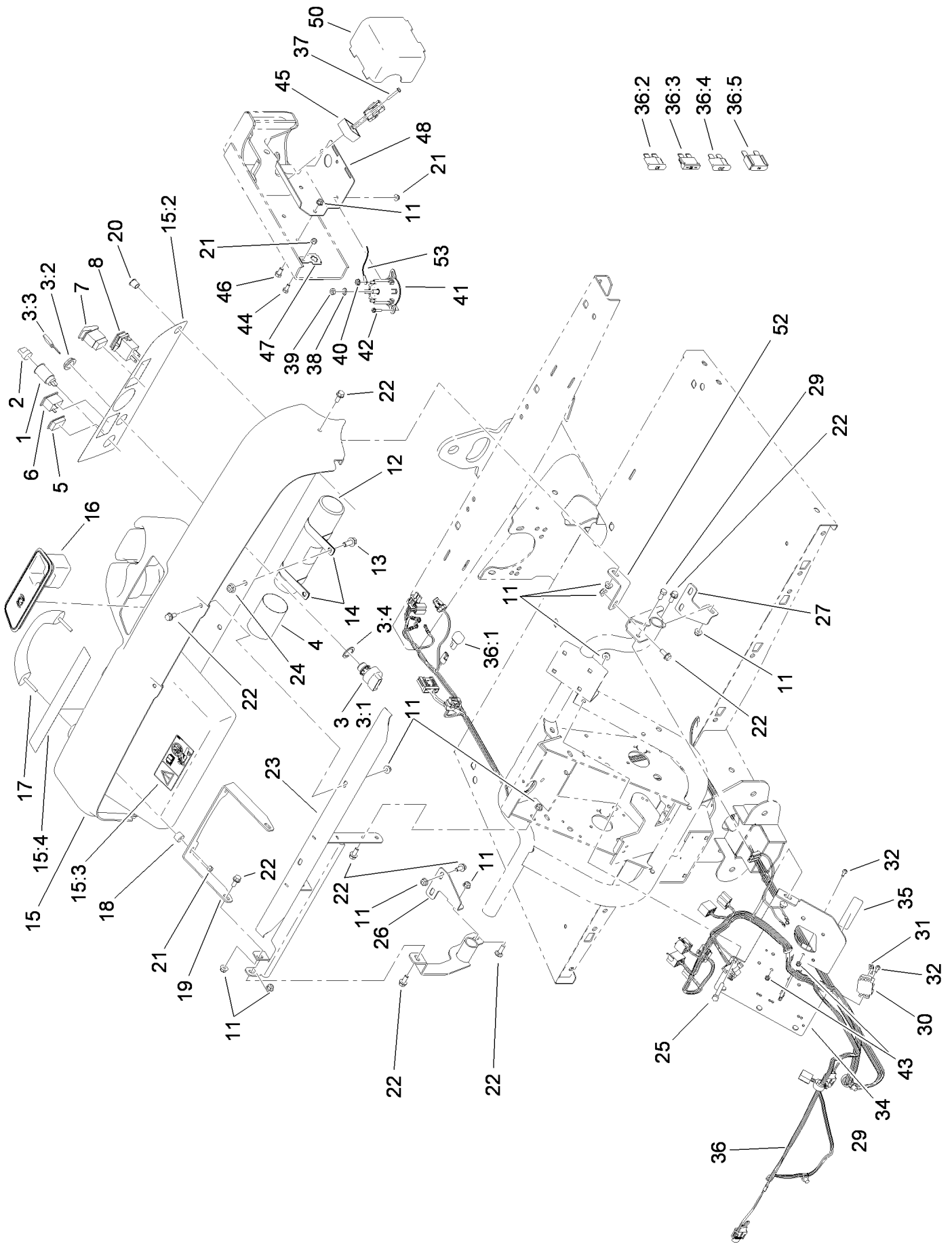
TAP: self tapping

TTH: torx truss head

Contents

| | |
|--|----|
| Dash Assembly | 4 |
| Pedal Box Assembly | 6 |
| Shifter Assembly | 7 |
| Front Frame Assembly | 8 |
| Seat Base Assembly | 9 |
| Front Tire, Spindle and Tie Rod Assembly | 10 |
| Brake Caliper Assembly No. 119-9535 | 12 |
| Rear Tire and Transaxle Assembly | 13 |
| Transaxle Assembly No. 115-2300 | 14 |
| LH Rear Brake Assembly No. 114-8332 | 16 |
| RH Rear Brake Assembly No. 114-8331 | 17 |
| Secondary Clutch Assembly No. 119-0803 | 18 |
| Upper Steering Assembly | 19 |
| Steering Box Assembly No. 112-3130 | 20 |
| Box and Tailgate Installation Assembly | 21 |
| Cargo Bed Service Assembly No. 119-9710 | 22 |
| Hood and Fender Assembly | 23 |
| Frame Assembly | 24 |
| Engine and Clutch Assembly | 25 |
| Primary Clutch Assembly No. 119-0802 | 27 |
| Starter Generator Assembly No. 119-9545 | 28 |
| Air Cleaner Assembly No. 99-7120 | 29 |
| Master Cylinder and Brake Line Assembly | 30 |
| Master Cylinder Assembly No. 104-6782 | 31 |
| Cylinder Head Assembly | 32 |
| Crankshaft and Piston Assembly | 33 |
| Camshaft and Valve Assembly | 34 |
| Starter Air Shroud Assembly | 35 |
| Intake Assembly | 36 |
| Carburetor Assembly | 37 |
| Crankcase Assembly | 38 |
| Fuel Pump Assembly | 39 |
| Magneto Assembly | 40 |
| Engine Gaskets and Fittings | 41 |
| Attachments and Accessories | 42 |

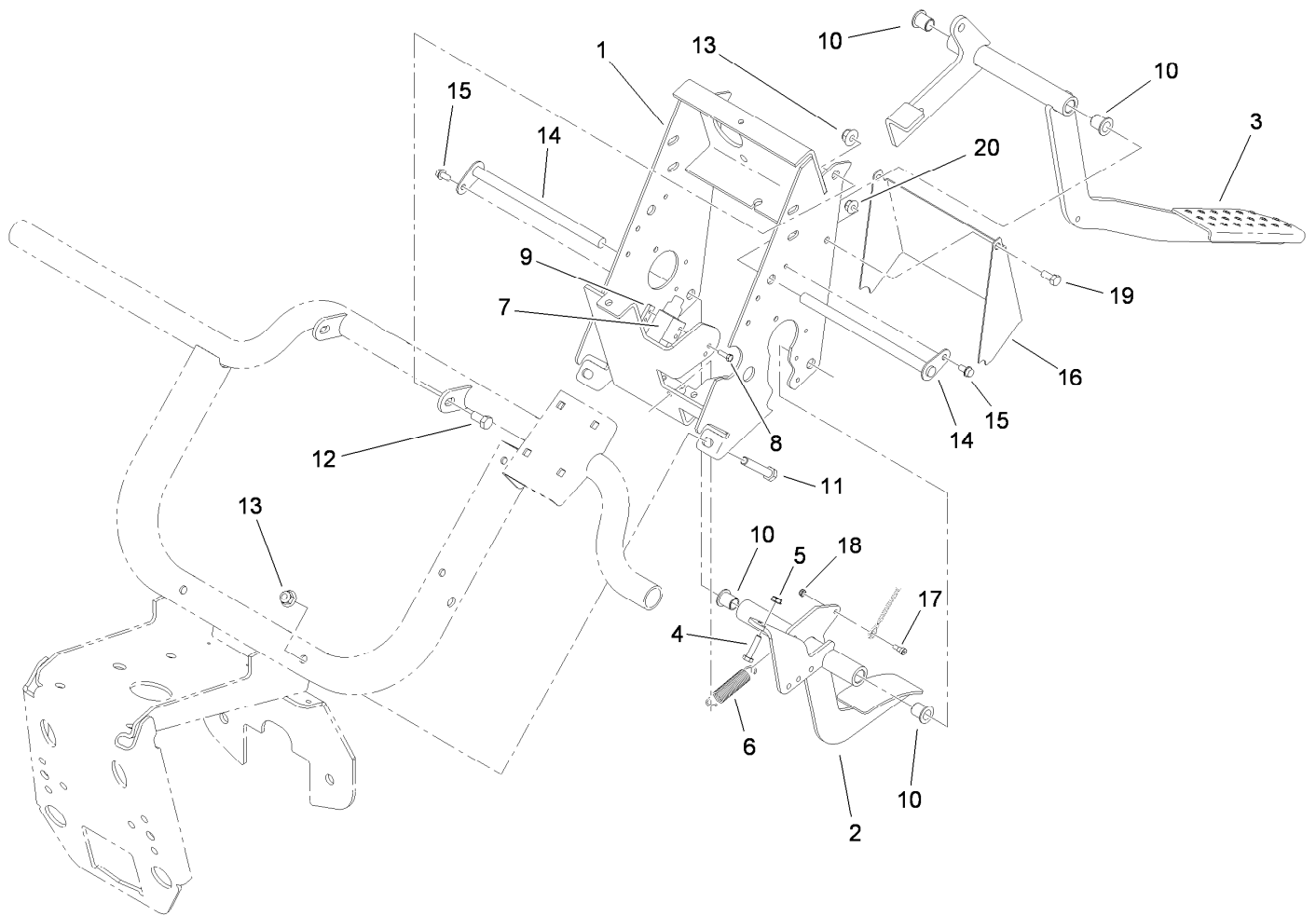
Dash Assembly



Dash Assembly (continued)

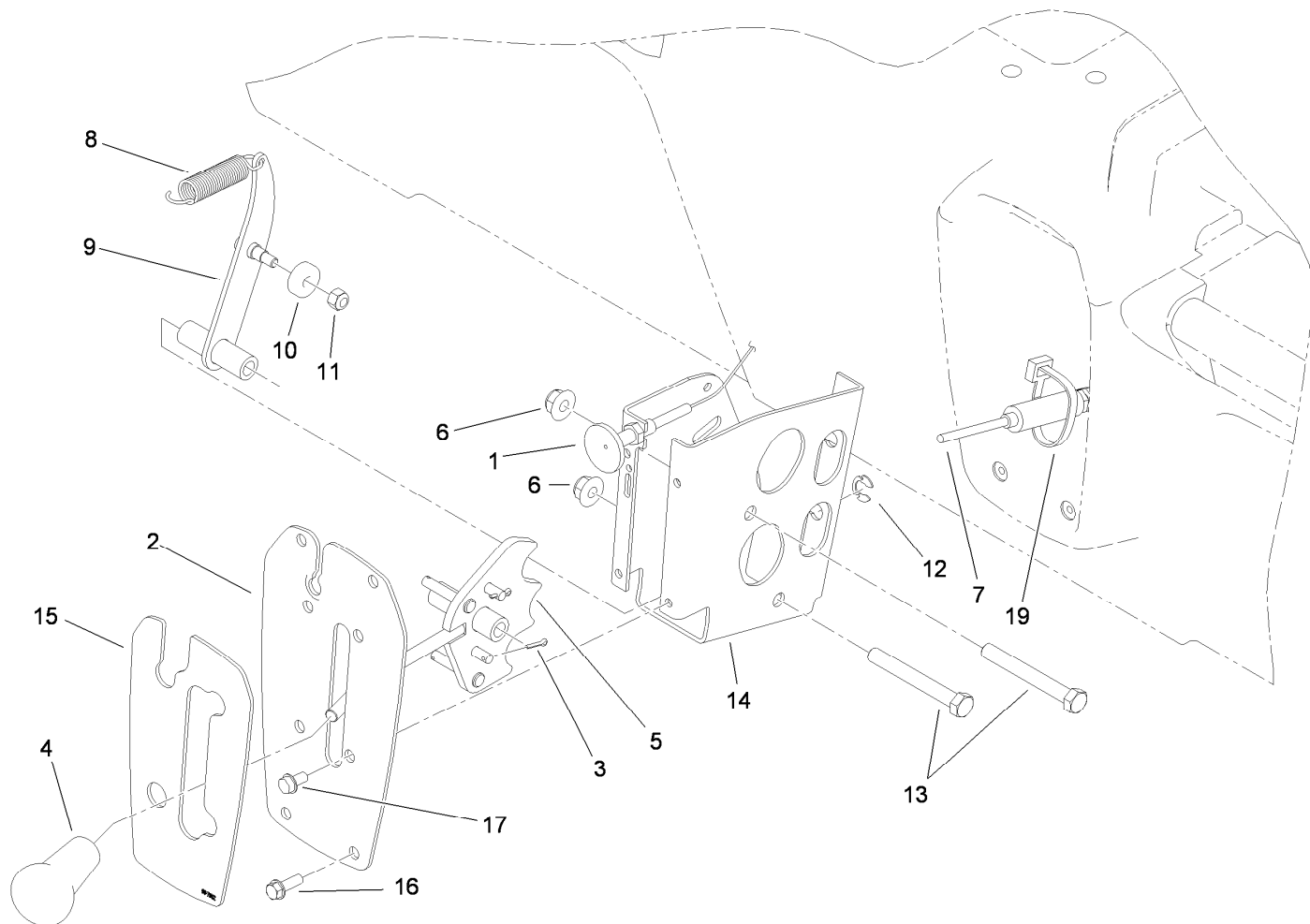
| <i>Ref.</i> | <i>Part Number</i> | <i>Qty.</i> | <i>Description</i> | <i>Ref.</i> | <i>Part Number</i> | <i>Qty.</i> | <i>Description</i> |
|-------------|--------------------|-------------|--------------------------------------|-------------|--------------------|-------------|-------------------------|
| 1 | 99-7411 | 1 | Point-Power | 25 | 322-11 | 2 | Screw-HH |
| 2 | 99-7416 | 1 | Cap | 26 | 114-8304 | 1 | Bracket-Dash Mount, RH |
| 3 | 112-3323 | 1 | Ignition Switch ASM | 27 | 114-8312 | 1 | Bracket-Dash Mount, LH |
| 3:1 | | 1 | Switch-Ignition ● | 29 | 322-3 | 1 | Screw-HH |
| 3:2 | 108-8660 | 1 | Nut-Mounting | 30 | 42862 | 1 | Block-Terminal, Ground |
| 3:3 | 99-7418 | 1 | Key-Ignition | 31 | 42863 | 1 | Strip-Jumper |
| 3:4 | 108-8659 | 1 | Washer-Backup | 32 | 32105-13 | 4 | Screw-HWH |
| 4 | 104-7048 | 1 | Cap-Housing | 34 | 112-3376-03 | 1 | Plate-Mount, Electrical |
| 5 | 99-7420 | 1 | Plug-Hole | 35 | 112-3325 | 1 | Decal-Block, Fuse |
| 6 | 99-7410 | 1 | Indicator-Light, Low-Oil Pressure | 36 | 119-5774 | 1 | Harness-Wire |
| 7 | 95-8999 | 1 | Switch | 36:1 | 100-4918 | 1 | Diode |
| 8 | 94-4208 | 1 | Hourmeter | 36:2 | 218-578 | 1 | Fuse-Blade, 10 Amp |
| 11 | 104-8300 | 20 | Nut-Flange, NI | 36:3 | 109355 | 1 | Fuse-Blade, 15 Amp |
| 12 | 104-7050 | 1 | Tube-Manual | 36:4 | 109101 | 1 | Fuse-Blade, 20 Amp |
| 13 | 3234-11 | 2 | Screw-HHF | 36:5 | 114-3342 | 1 | Fuse-Maxi, 60 Amp |
| 14 | 2412-133 | 2 | R-Clamp | 37 | 100-4352 | 1 | Screw-HWH |
| 15 | 114-8310 | 1 | Dash ASM | 38 | 3255-8 | 2 | Washer-Lock |
| 15:2 | 117-5001 | 1 | Decal-Panel, Control | 39 | 3220-2 | 2 | Nut-Jam |
| 15:3 | 104-6581 | 1 | Decal-Danger | 40 | 32149-8 | 2 | Nut-Keps |
| 15:4 | 115-2412 | 1 | Decal-No Storage | 41 | 114-3315 | 1 | Solenoid-12 Vdc |
| 16 | 104-6930 | 1 | Plug-Rubber | 42 | 3234-33 | 2 | Screw-HHF |
| 17 | 112-3320 | 1 | Handle-Grip | 43 | 3296-2 | 4 | Nut-Lock, NI |
| 18 | 114-8301 | 2 | Spacer | 44 | 321-3 | 1 | Screw-HH |
| 19 | 112-3391-03 | 1 | Bracket-Grip, Handle | 45 | 119-9492 | 1 | Regulator-Voltage |
| 20 | 94-5627 | 1 | Plug | 46 | 322-2 | 2 | Screw-HH |
| 21 | 104-7201 | 5 | Nut-HF | 47 | 114-5502 | 1 | Clip-Fuse |
| 22 | 110-5053 | 15 | Screw-Flange | 48 | 119-0752-03 | 1 | Mount-Component |
| 23 | 115-7651-03 | 1 | Dash Support ASM | 50 | 112-3027 | 1 | Cover-Controller |
| 24 | 104-8301 | 2 | Nut-Flange, NI | 52 | 114-8305 | 1 | Angle-Mount, Dash (LH) |
| | | | | 53 | 112-3537 | 1 | Cable-Battery, Positive |

● Not serviced separately



Pedal Box Assembly

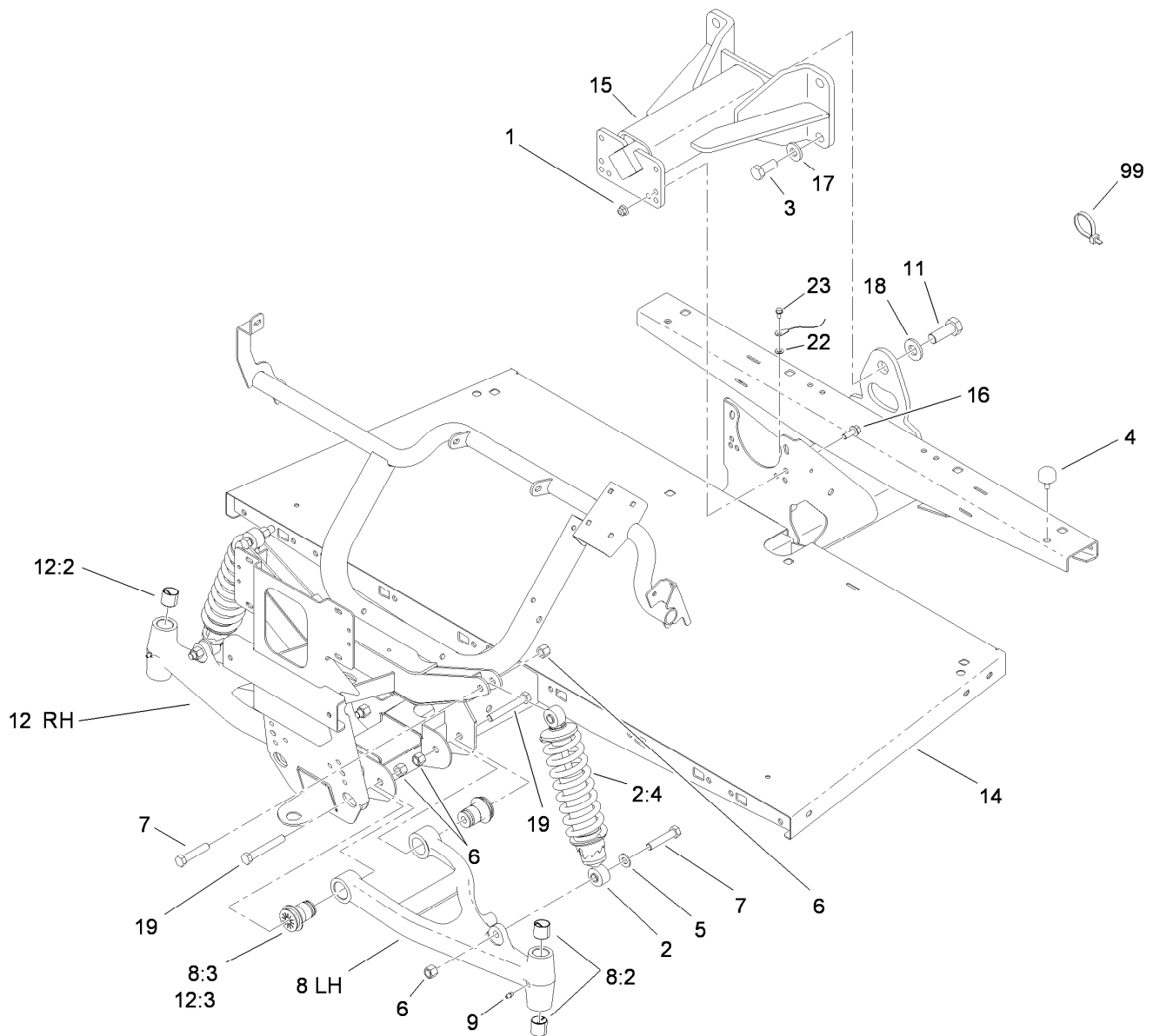
| <i>Ref.</i> | <i>Part Number</i> | <i>Qty.</i> | <i>Description</i> | <i>Ref.</i> | <i>Part Number</i> | <i>Qty.</i> | <i>Description</i> |
|-------------|--------------------|-------------|-------------------------|-------------|--------------------|-------------|--------------------|
| 1 | 119-0748-03 | 1 | Pedal Support Frame ASM | 11 | 323-11 | 2 | Screw-HH |
| 2 | 115-7630-03 | 1 | Throttle Pedal ASM | 12 | 323-4 | 2 | Screw-HH |
| 3 | 112-3314-03 | 1 | Brake Pedal ASM | 13 | 104-8301 | 4 | Nut-Flange, NI |
| 4 | 321-7 | 2 | Screw-HH | 14 | 104-7164 | 2 | Pivot-Pedal |
| 5 | 32149-2 | 2 | Nut-Keps | 15 | 32144-4 | 2 | Screw-HWH |
| 6 | 104-6415 | 1 | Spring-Return, Pedal | 16 | 115-7619-03 | 1 | Cover |
| 7 | 99-7407 | 1 | Switch | 17 | 115-7632 | 1 | Bolt-Shoulder |
| 8 | 3290-134 | 2 | Screw | 18 | 3296-47 | 1 | Nut-Lock, NI |
| 9 | 1-633181 | 1 | Plate-Tapped | 19 | 322-3 | 2 | Screw-HH |
| 10 | 256-155 | 4 | Bushing-Flange | 20 | 104-8300 | 2 | Nut-Flange, NI |



Shifter Assembly

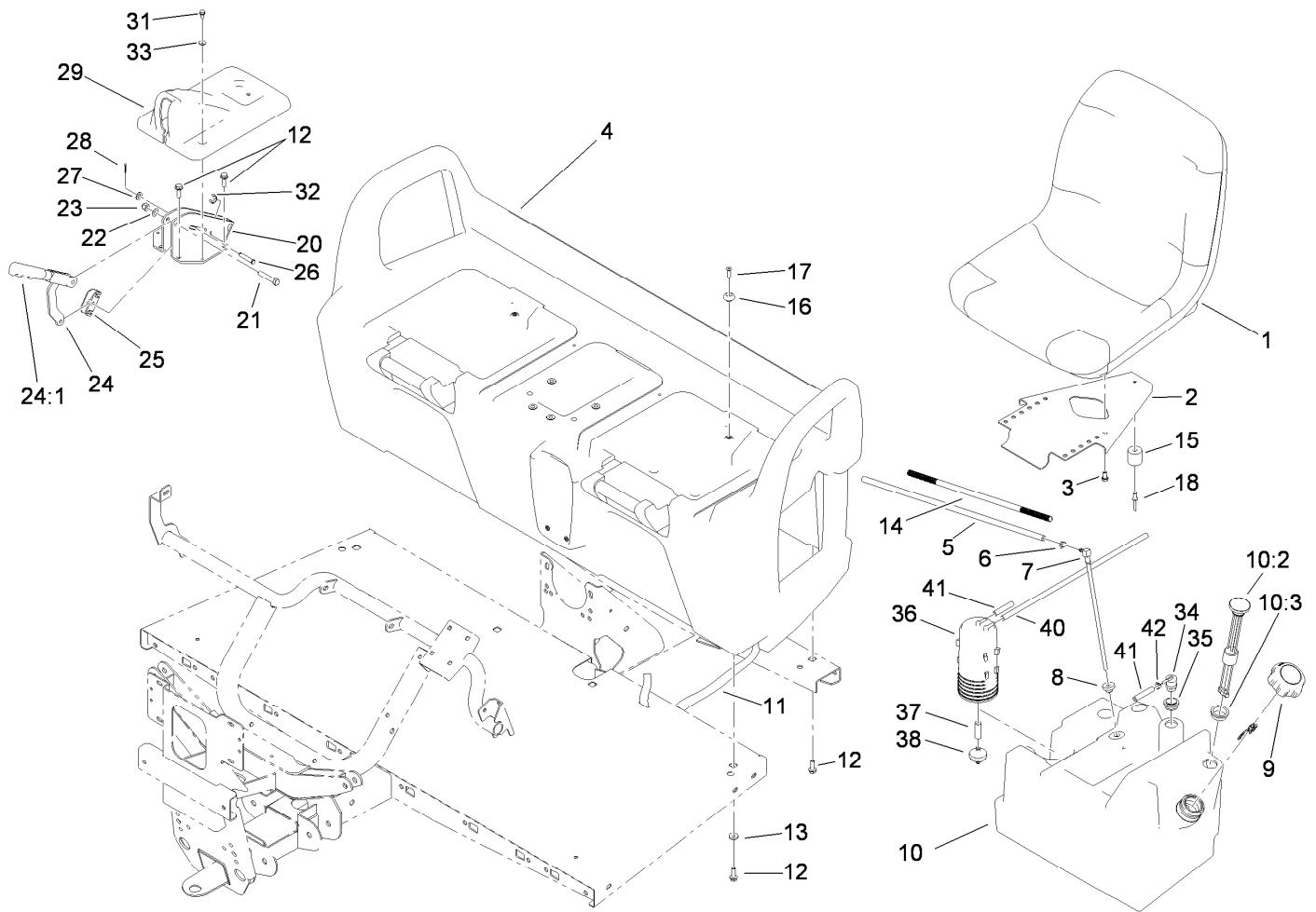
| Ref. | Part Number | Qty. | Description |
|------|-------------|------|---------------------------|
| 1 | 104-6507 | 1 | Cable-Choke |
| 2 | 99-7887-03 | 1 | Plate-Shifter |
| 3 | 3272-5 | 2 | Pin-Cotter |
| 4 | 99-7981 | 1 | Knob-Grip, Soft |
| 5 | 114-2719 | 1 | Plate-Detent |
| 6 | 104-8301 | 2 | Nut-Flange, NI |
| 7 | 115-7679 | 2 | Tension Cable Control ASM |
| 8 | 104-6415 | 1 | Spring-Return, Pedal |
| 9 | 108-3138 | 1 | Arm-Detent |

| Ref. | Part Number | Qty. | Description |
|------|-------------|------|---------------|
| 10 | 251-307 | 1 | Bearing-Ball |
| 11 | 3296-42 | 1 | Nut-Lock, NI |
| 12 | 32151-101 | 2 | E-Ring |
| 13 | 323-14 | 2 | Screw-HH |
| 14 | 108-3141-03 | 1 | Bracket-Shift |
| 15 | 99-7952 | 1 | Decal-Shifter |
| 16 | 32105-15 | 4 | Screw |
| 17 | 32144-4 | 4 | Screw-HWH |
| 19 | 3290-378 | 1 | Tie-Cable |



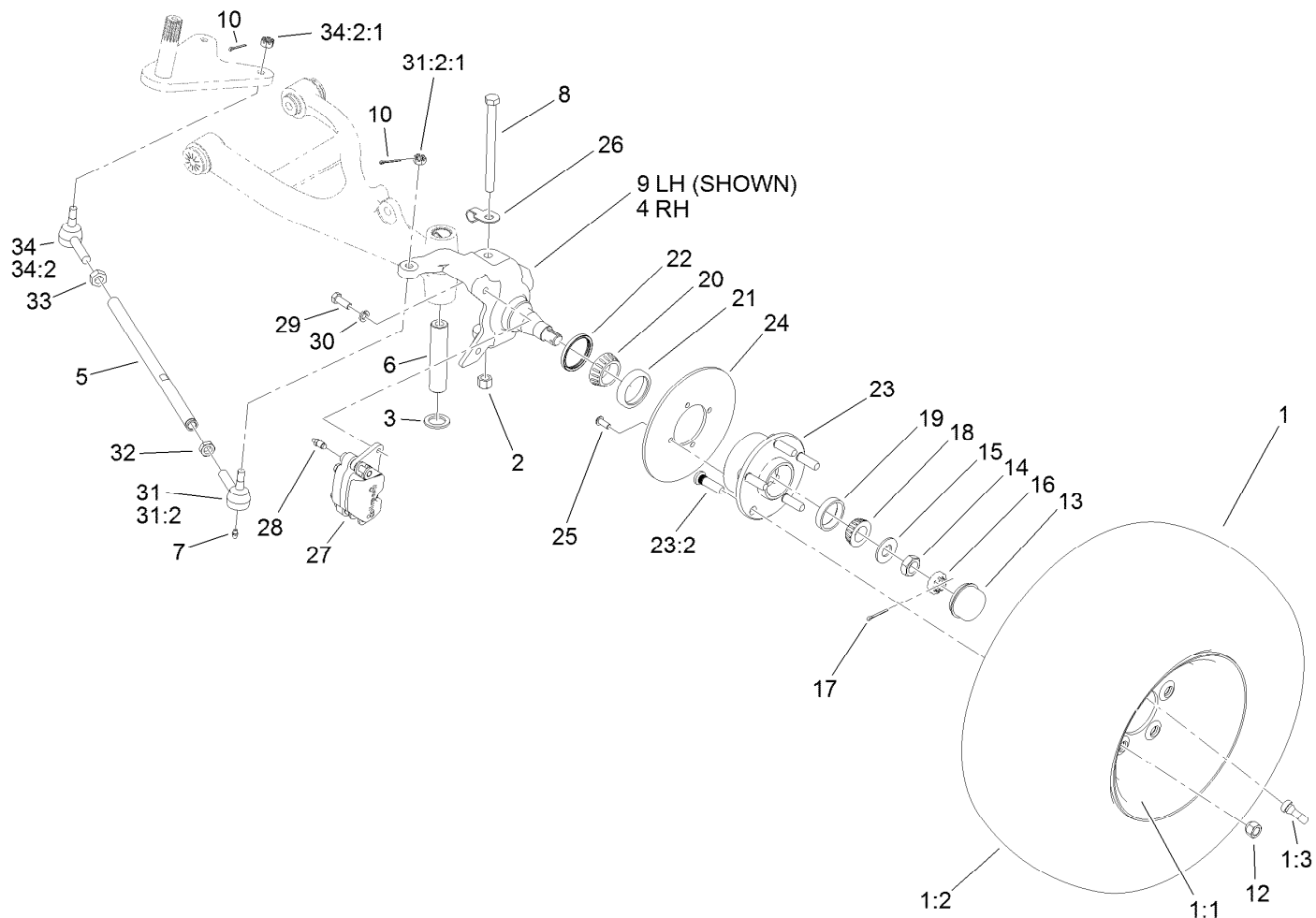
Front Frame Assembly

| <i>Ref.</i> | <i>Part Number</i> | <i>Qty.</i> | <i>Description</i> | <i>Ref.</i> | <i>Part Number</i> | <i>Qty.</i> | <i>Description</i> |
|-------------|--------------------|-------------|--------------------|-------------|--------------------|-------------|--------------------|
| 1 | 104-8301 | 4 | Nut-Flange, NI | 12 | 114-8314 | 1 | RH A-Arm ASM |
| 2 | 112-2975 | 2 | Shock/Spring ASM | 12:2 | 3-0348 | 2 | Bushing |
| 2:4 | 112-3383 | 1 | Spring | 12:3 | 87-1450 | 2 | Bushing-Flange |
| 3 | 327-4 | 4 | Screw-HH | 14 | 112-3340-03 | 1 | Front Frame ASM |
| 4 | 87-2440 | 1 | Bumper-Rubber | 15 | 99-7700 | 1 | Pivot Yoke ASM |
| 5 | 51-3500 | 2 | Washer | 16 | 3234-11 | 4 | Screw-HHF |
| 6 | 3296-23 | 8 | Nut-Lock, NI | 17 | 99-7667 | 4 | Washer-Flat |
| 7 | 325-10 | 4 | Screw-HH | 18 | 87-3060 | 1 | Washer-Hardened |
| 8 | 114-8313 | 1 | LH A-Arm ASM | 19 | 325-14 | 4 | Screw-HH |
| 8:2 | 3-0348 | 2 | Bushing | 22 | 3254-16 | 1 | Washer-Lock/Int |
| 8:3 | 87-1450 | 2 | Bushing-Flange | 23 | 32144-4 | 1 | Screw-HWH |
| 9 | 302-5 | 2 | Fitting-Grease | 99 | 3290-379 | 12 | Tie-Cable |
| 11 | 328-24 | 1 | Screw-HH | | | | |



Seat Base Assembly

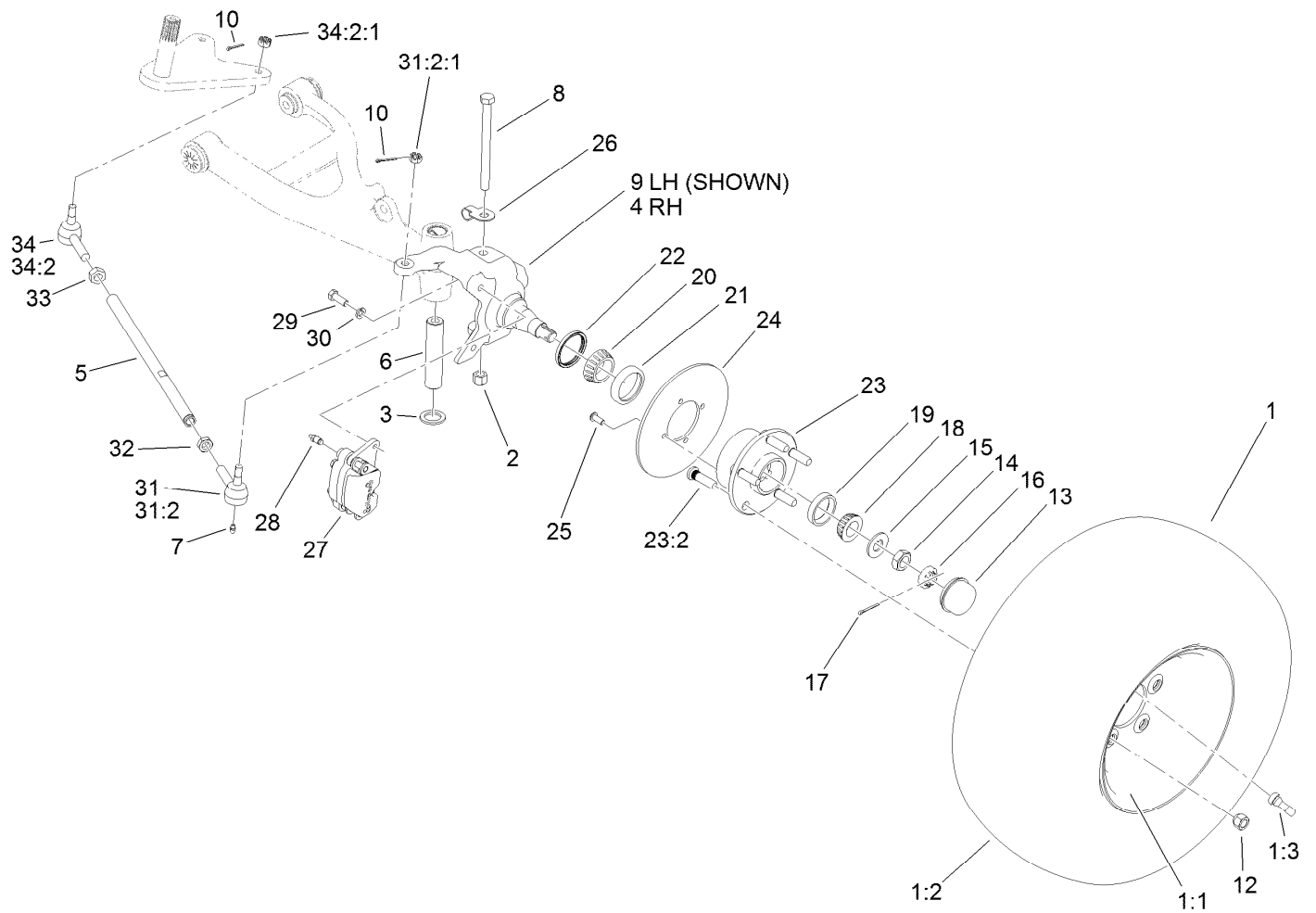
| Ref. | Part Number | Qty. | Description | Ref. | Part Number | Qty. | Description |
|------|-------------|------|------------------------|------|-------------|------|--------------------------|
| 1 | 112-2923 | 2 | Seat ASM | 21 | 323-10 | 1 | Screw-HH |
| 2 | 99-7829 | 2 | Bracket-Seat | 22 | 3290-477 | 1 | Washer-Curved |
| 3 | 33114-016 | 8 | Screw-HH | 23 | 3296-39 | 1 | Nut-Lock, NI |
| 4 | 104-6847 | 1 | Seat Base ASM | 24 | 104-6842 | 1 | Lever-Brake, Park |
| 5 | 110-4103 | 1 | Hose-Fuel | 24:1 | 106-7972 | 1 | Grip-Handle |
| 6 | 2412-98 | 1 | Clamp | 25 | 87-3480 | 1 | Bracket-Equalizer, Cable |
| 7 | 99-7264 | 1 | Pipe-Stand | 26 | 94-3829 | 1 | Pin-Clevis |
| 8 | 46-6560 | 1 | Bushing | 27 | 3256-23 | 1 | Washer-Flat |
| 9 | 115-7788 | 1 | Cap-Fuel | 28 | 3272-6 | 1 | Pin-Cotter |
| 10 | 119-0784 | 1 | Fuel Tank ASM | 29 | 104-7014 | 1 | Cover-Brake, Parking |
| 10:2 | 99-7262 | 1 | Gauge-Fuel | 31 | 32144-4 | 2 | Screw-HWH |
| 10:3 | 95-8972 | 1 | Grommet | 32 | 32120-47 | 2 | Ring-Retaining, External |
| 11 | 3339-175 | 1 | Strapping-Web, 48 Inch | 33 | 3256-1 | 2 | Washer-Flat |
| 12 | 3234-17 | 12 | Screw-HHF | 34 | 114-0285 | 1 | Valve-Rollover |
| 13 | 88-7200 | 8 | Washer-Flat | 35 | 114-0284 | 1 | Grommet |
| 14 | 112-3337 | 1 | Conduit-Line, Fuel | 36 | 117-1221 | 1 | Canister-Carbon, 800Cc |
| 15 | 99-7830 | 2 | Rubber Receptical ASM | 37 | 106-5317 | 1 | Hose-Fuel |
| 16 | 99-7833 | 2 | Post-Holding | 38 | 115-7854 | 1 | Filter-Fuel, Inline |
| 17 | 32108-5 | 2 | Screw-FH | 40 | 109-0273 | 1 | Hose-Fuel |
| 18 | 3290-412 | 2 | Rivet | 41 | 110-8751 | 1 | Hose-Fuel |
| 20 | 104-6844-03 | 1 | Support-Brake, Park | 42 | 2412-146 | 1 | Clamp-Hose |



Front Tire, Spindle and Tie Rod Assembly

| Ref. | Part Number | Qty. | Description | Ref. | Part Number | Qty. | Description |
|------|-------------|------|--------------------|--------|-------------|------|-----------------------|
| 1 | 104-7290 | 2 | Tire And Wheel ASM | 18 | 254-94 | 2 | Bearing-Cone, Tapered |
| 1:1 | 104-7288 | 1 | Wheel | 19 | 254-72 | 2 | Bearing-Cup, Tapered |
| 1:2 | 104-7289 | 1 | Tire | 20 | 254-106 | 2 | Cone-Bearing, Tapered |
| 1:3 | 232-27 | 1 | Stem-Valve | 21 | 254-107 | 2 | Cup-Bearing, Tapered |
| 2 | 3296-23 | 2 | Nut-Lock, NI | 22 | 108-7019 | 2 | Seal-Shaft |
| 3 | 256-115 | 2 | Washer-Thrust | 23 | 117-8071 | 2 | Hub ASM |
| 4 | 119-9522 | 1 | Spindle-RH | 23:2 | 10-6830 | 5 | Stud-Type, Drive |
| 5 | 115-7654 | 2 | Tie Rod | 24 | 119-9520 | 2 | Rotor |
| 6 | 99-7499 | 2 | Sleeve-Kingpin | 25 | 3274-55 | 8 | Screw-HSBH |
| 7 | 302-5 | 4 | Fitting-Grease | 26 | 112-3311 | 2 | Clip-Hose |
| 8 | 325-20 | 2 | Screw-HH | 27 | 119-9535 | 2 | Brake Caliper ASM |
| 9 | 119-9521 | 1 | Spindle-LH | 28 | 119-9509 | 2 | Screw-Bleed |
| 10 | 3272-7 | 4 | Pin-Cotter | 29 | 323-6 | 4 | Screw-HH |
| 12 | 242-50 | 10 | Nut-Lug | 30 | 3253-21 | 4 | Washer-Lock |
| 13 | 241-119 | 2 | Cap-Dust | 31 | 112771-03 | 2 | LH Ball Joint ASM |
| 14 | 3220-7 | 2 | Nut-Jam | 31:2 | | 1 | Joint-Ball, LH ● |
| 15 | 93-0309 | 2 | Washer-Tab | 31:2:1 | 915031 | 1 | Nut |
| 16 | 93-0307 | 2 | Nut-Lock, Retainer | 32 | 3218-21 | 2 | Nut-Jam |
| 17 | 3272-12 | 2 | Pin-Cotter | 33 | 3220-11 | 2 | Nut-Jam |

● Not serviced separately

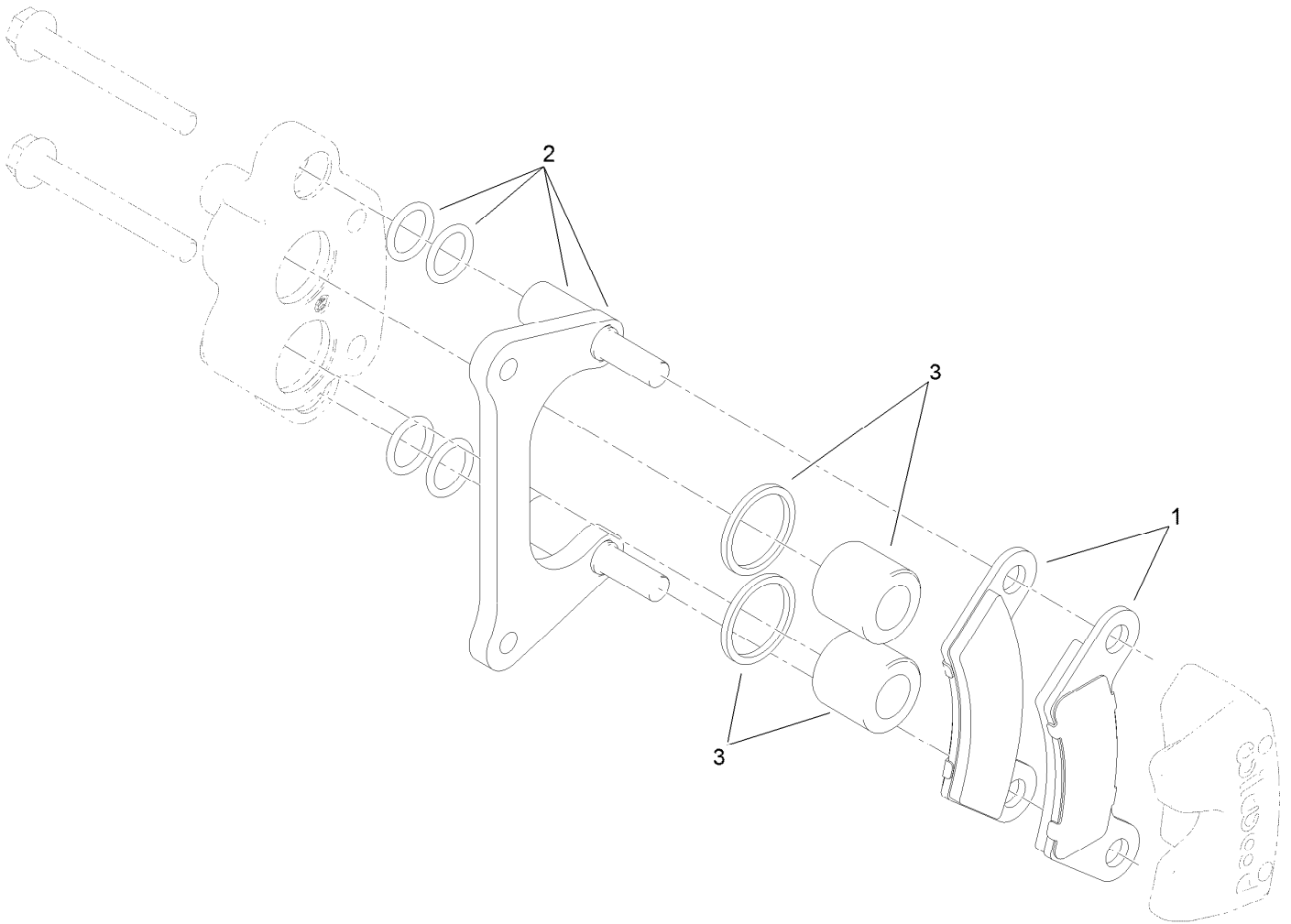


Front Tire, Spindle and Tie Rod Assembly (continued)

| Ref. | Part Number | Qty. | Description |
|------|-------------|------|-------------------|
| 34 | 112772-03 | 2 | RH Ball Joint ASM |

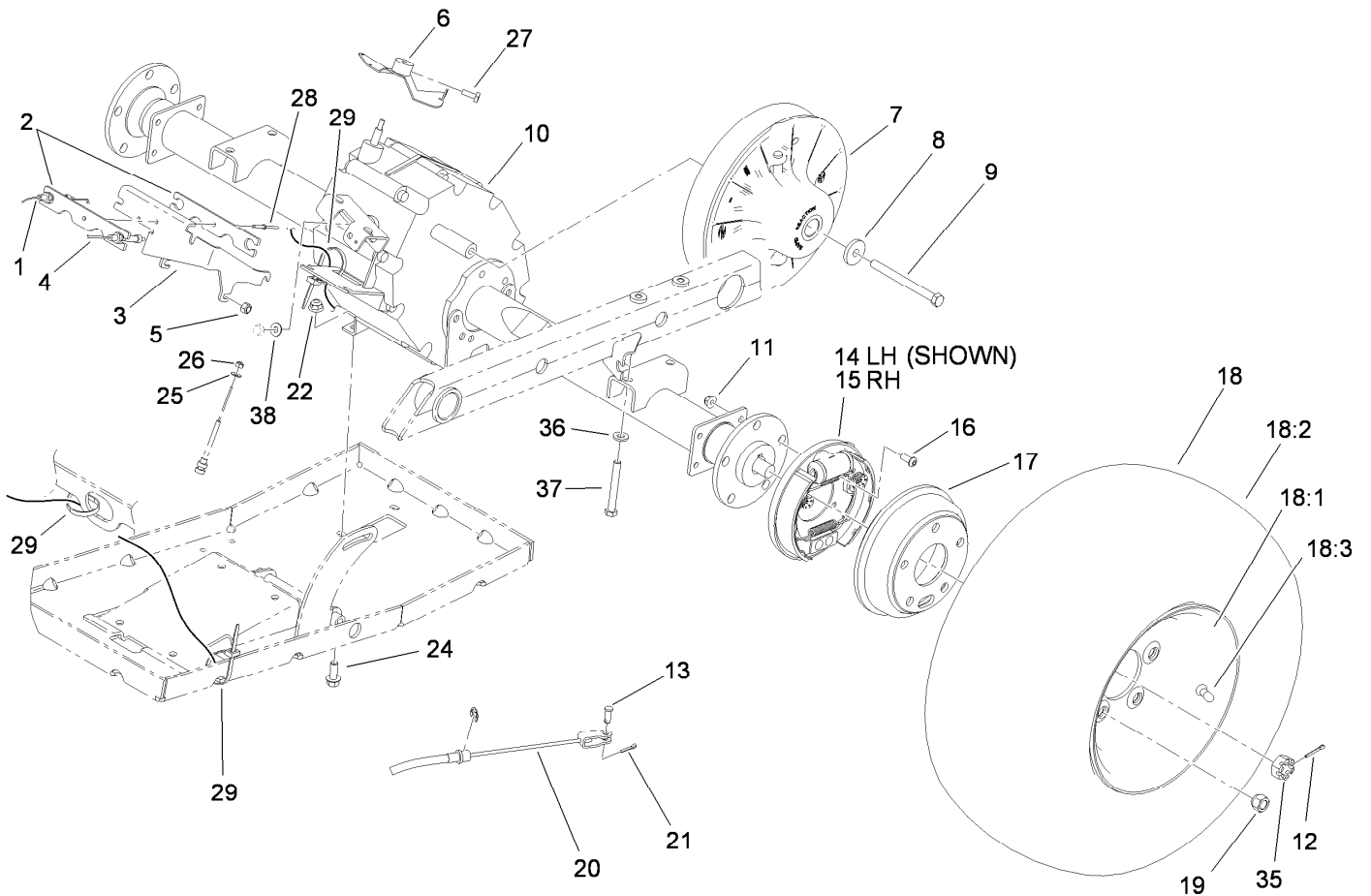
| Ref. | Part Number | Qty. | Description |
|--------|-------------|------|------------------|
| 34:2 | | 1 | Joint-Ball, RH ● |
| 34:2:1 | 915031 | 1 | Nut |

● Not serviced separately



Brake Caliper Assembly No. 119-9535

| <i>Ref.</i> | <i>Part Number</i> | <i>Qty.</i> | <i>Description</i> |
|-------------|--------------------|-------------|--------------------|
| 1 | 119-9510 | 1 | Brake Pad Kit |
| 2 | 119-9511 | 1 | Bracket Kit |
| 3 | 119-9512 | 1 | Piston Kit |

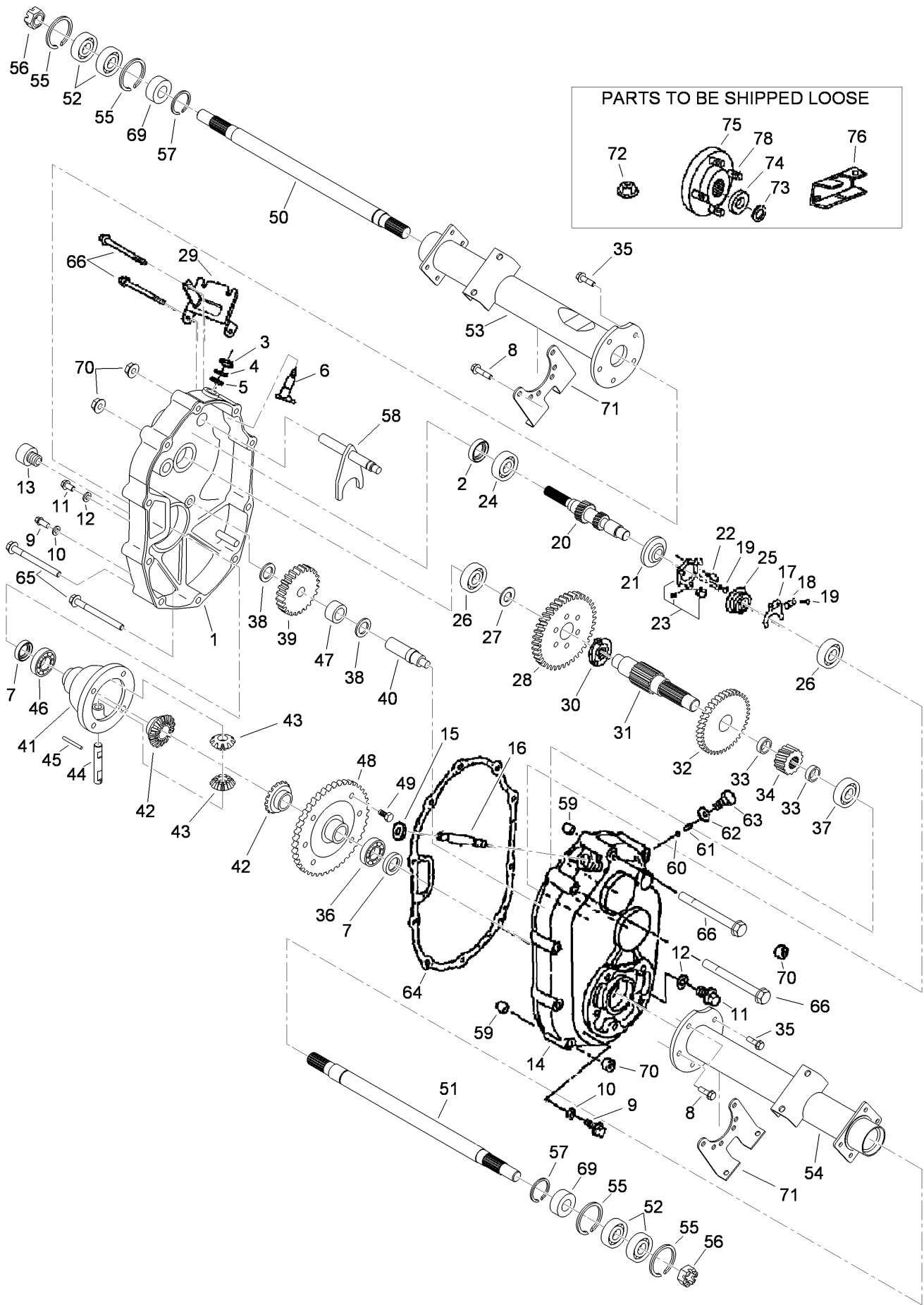


Rear Tire and Transaxle Assembly

| Ref. | Part Number | Qty. | Description | Ref. | Part Number | Qty. | Description |
|------|-------------|------|----------------------|------|-------------|------|-----------------|
| 1 | 104-6474 | 1 | Cable-Governor | 18:1 | 104-7288 | 1 | Wheel |
| 2 | 99-7121 | 2 | Bracket-Tamper | 18:2 | 104-7289 | 1 | Tire |
| 3 | 99-7054 | 1 | Bracket-Cables | 18:3 | 232-27 | 1 | Stem-Valve |
| 4 | 115-7613 | 1 | Cable-Accelerator | 19 | 242-50 | 10 | Nut-Lug |
| 5 | 33024-00 | 3 | Nut-Lock | 20 | 112-3309 | 2 | Cable-Brake |
| 6 | 104-6569 | 1 | Bracket-Governor | 21 | 3272-10 | 2 | Pin-Cotter |
| 7 | 119-0803 | 1 | Clutch-Secondary | 22 | 104-8301 | 4 | Nut-Flange, NI |
| 8 | 104-6563 | 1 | Washer-Stepped | 24 | 3234-11 | 4 | Screw-HHF |
| 9 | 119-0723 | 1 | Screw-HH, Lock | 25 | 3256-49 | 2 | Washer-Flat |
| 10 | 115-2300 | 1 | Transaxle | 26 | 3296-2 | 2 | Nut-Lock, NI |
| 11 | 104-8300 | 8 | Nut-Flange, NI | 27 | 3241-6 | 2 | Screw-SQH |
| 12 | 3272-12 | 2 | Pin-Cotter | 28 | 99-7122 | 1 | Rivet-Annodized |
| 13 | 283-62 | 2 | Pin-Clevis | 29 | 3290-378 | 2 | Tie-Cable |
| 14 | 114-8332 | 1 | LH Brake ASM | 35 | 104-1656 | 2 | Nut-Castle |
| 15 | 114-8331 | 1 | RH Brake ASM | 36 | 100-4852 | 4 | Washer-Hardened |
| 16 | 3274-55 | 8 | Screw-HSBH | 37 | 323-14 | 4 | Screw-HH |
| 17 | 104-6500 | 2 | Drum-Brake | 38 | 87-8640 | 1 | Washer-Flat |
| 18 | | 2 | Tire And Wheel ASM ● | | | | |

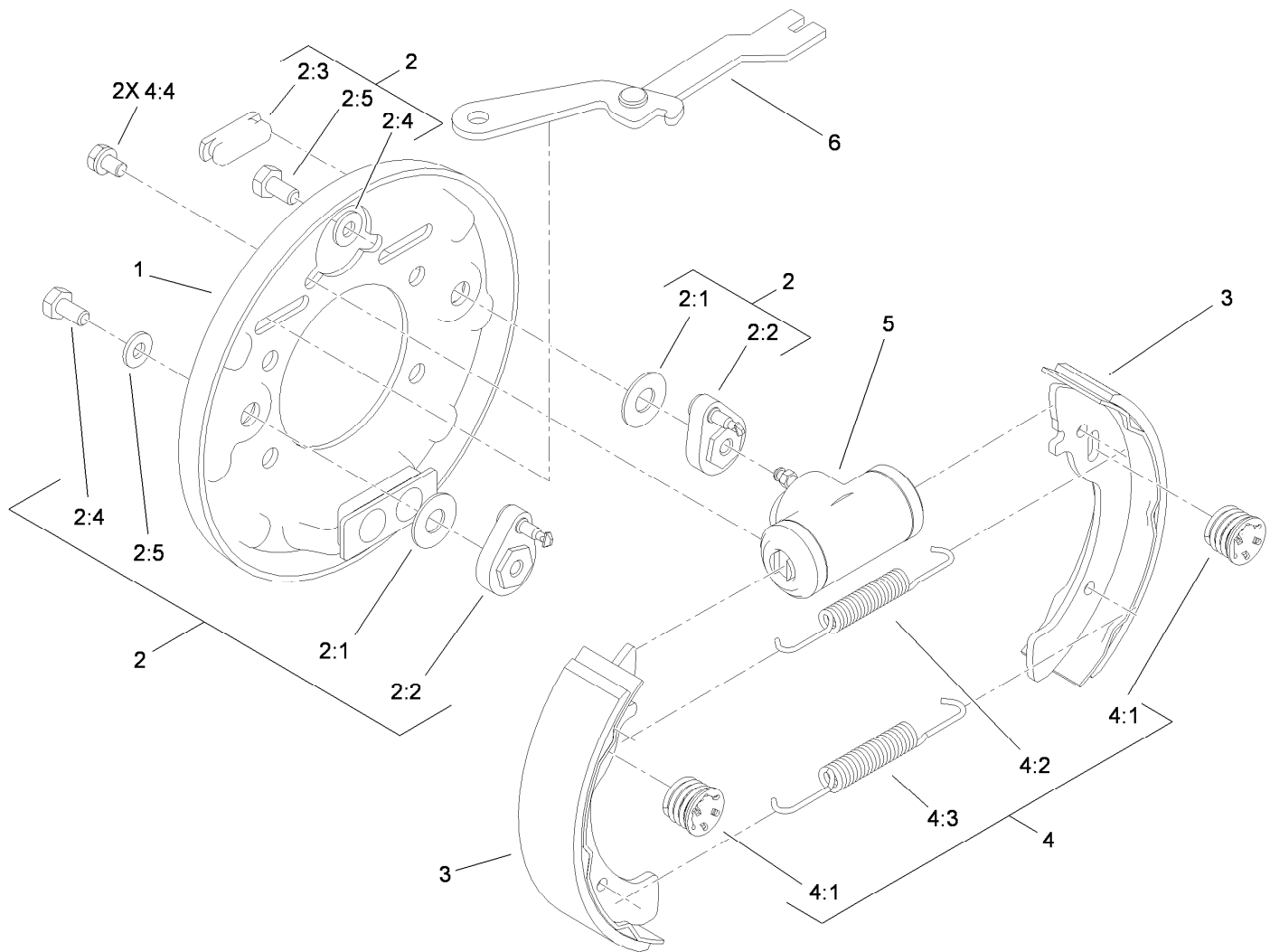
● Not serviced separately

Transaxle Assembly No. 115-2300



Transaxle Assembly No. 115-2300 (continued)

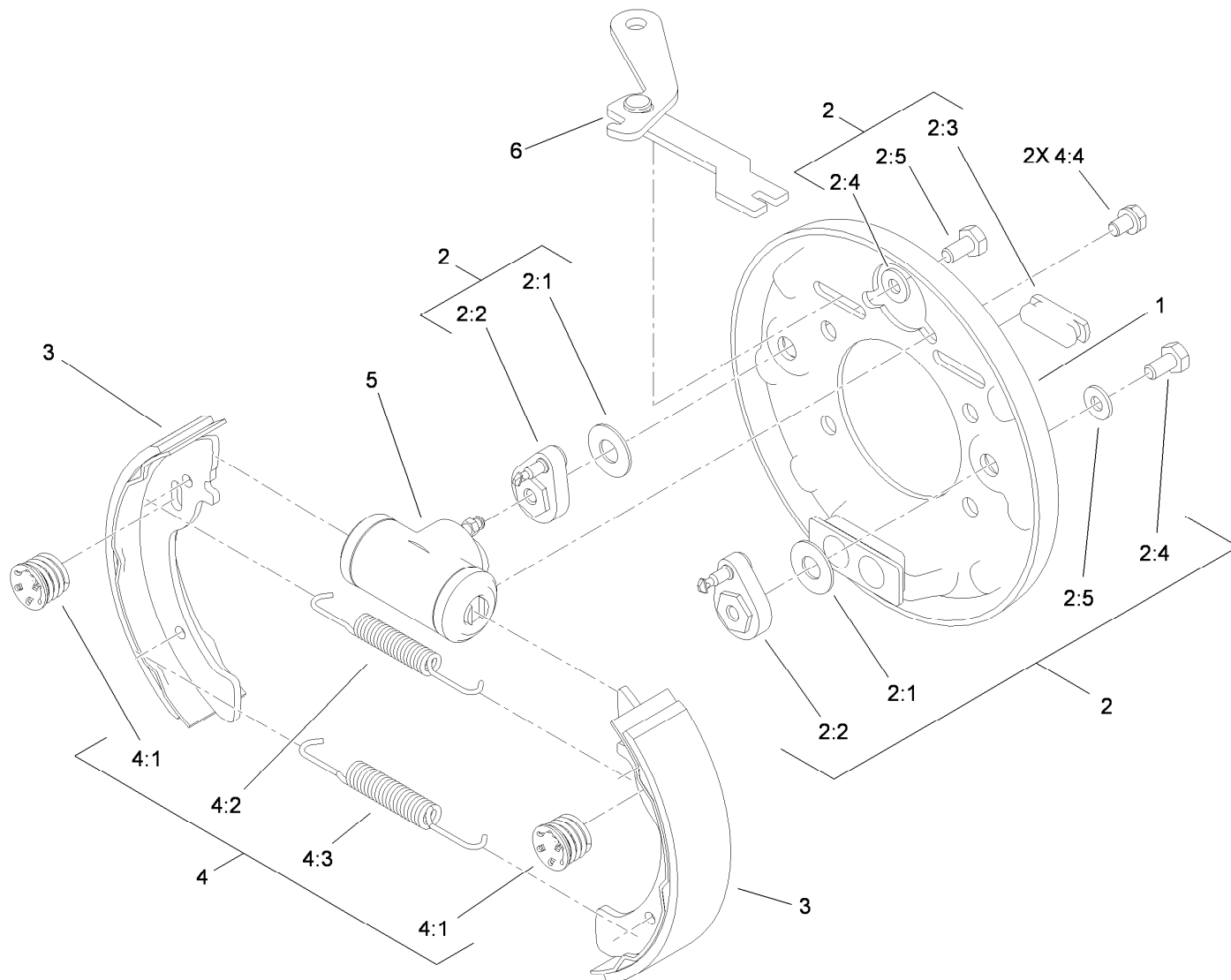
| <i>Ref.</i> | <i>Part Number</i> | <i>Qty.</i> | <i>Description</i> | <i>Ref.</i> | <i>Part Number</i> | <i>Qty.</i> | <i>Description</i> |
|-------------|--------------------|-------------|-----------------------|-------------|--------------------|-------------|-------------------------|
| 1 | 104-1601 | 1 | Case-LH, Complete | 39 | 104-1639 | 1 | Gear |
| 2 | 104-1602 | 1 | Seal-Oil | 40 | 104-1640 | 1 | Shaft-Counter |
| 3 | 104-1603 | 1 | Seal-Oil | 41 | 104-1641 | 1 | Case-Differential |
| 4 | 104-1604 | 1 | Ring-Snap | 42 | 104-1642 | 2 | Gear-Side, Differential |
| 5 | 104-1605 | 1 | Spacer | 43 | 104-1643 | 2 | Pinion-Differential |
| 6 | 104-1606 | 1 | Shaft-Selector | 44 | 104-1644 | 1 | Shaft-Differential |
| 7 | 104-1607 | 2 | Seal-Oil | 45 | 104-1645 | 1 | Pin |
| 8 | 104-1608 | 4 | Bolt-Flange | 46 | 104-1646 | 1 | Bearing-Ball |
| 9 | 104-1609 | 2 | Plug-Check, Oil | 47 | 104-1647 | 1 | Bearing-Needle |
| 10 | 104-1610 | 2 | Gasket | 48 | 104-1648 | 1 | Gear |
| 11 | 104-1611 | 2 | Plug-Drain, Oil | 49 | 104-1649 | 6 | Bolt |
| 12 | 104-1612 | 2 | Gasket | 50 | 104-1650 | 1 | Shaft-Axle, LH |
| 13 | 104-1613 | 1 | Plug-Filler, Oil | 51 | 104-1651 | 1 | Shaft-Axle, RH |
| 14 | 104-1614 | 1 | Case-Complete, RH | 52 | 104-1652 | 4 | Bearing-Ball |
| 15 | 104-1615 | 1 | Seal-Oil | 53 | 104-1653 | 1 | Case-Axle, LH |
| 16 | 104-1616 | 1 | Shaft-Governor | 54 | 104-1654 | 1 | Case-Axle, RH |
| 17 | 104-1617 | 1 | Fork-Governor | 55 | 104-1655 | 4 | Ring-Snap |
| 18 | 104-1618 | 1 | Stopper | 56 | 104-1656 | 2 | Nut-Castle |
| 19 | 104-1619 | 4 | Screw And Washer ASM | 57 | 104-1657 | 2 | Ring-Snap |
| 20 | 104-7002 | 1 | Shaft-Input, Complete | 58 | 104-6870 | 1 | Shaft-Shift, Complete |
| 21 | 104-1621 | 1 | Base-Governor | 59 | 104-1659 | 2 | Knock-Pipe |
| 22 | 104-1622 | 1 | Pin-Lock | 60 | 104-1660 | 1 | Ball-Steel |
| 23 | 104-1623 | 1 | Unit-Plate, Governor | 61 | 104-1661 | 1 | Spring |
| 24 | 104-1624 | 1 | Bearing-Ball | 62 | 104-1662 | 1 | Gasket |
| 25 | 104-1625 | 1 | Sleeve-Governor | 63 | 104-1663 | 1 | Bolt |
| 26 | 104-1626 | 2 | Bearing-Ball | 64 | 104-1664 | 1 | Gasket |
| 27 | 104-1627 | 1 | Spacer | 65 | 104-1665 | 6 | Bolt-Flange |
| 28 | 104-1628 | 1 | Gear | 66 | 104-1666 | 4 | Bolt-Flange |
| 29 | 115-7672 | 1 | Bracket-Wire, Change | 69 | 104-6867 | 2 | Collar |
| 30 | 104-1630 | 1 | Clutch-Pin | 70 | 33004-00 | 11 | Nut-HF |
| 31 | 104-1631 | 1 | Shaft-Center | 71 | 104-1671 | 2 | Bracket-Axle |
| 32 | 104-1632 | 1 | Gear | 72 | 104-1672 | 1 | Nut-Lock |
| 33 | 104-1633 | 2 | Collar | 73 | 104-1673 | 2 | Washer-Spring |
| 34 | 104-1634 | 1 | Gear | 74 | 104-1674 | 2 | Washer |
| 35 | 104-1635 | 6 | Bolt-Flange | 75 | 104-1675 | 2 | Hub |
| 36 | 104-1636 | 1 | Bearing-Ball | 76 | 112-3287 | 1 | Lever-Select |
| 37 | 104-1637 | 1 | Bearing-Ball | 78 | 104-8649 | 10 | Stud |
| 38 | 104-1638 | 2 | Spacer | | | | |



LH Rear Brake Assembly No. 114-8332

| Ref. | Part Number | Qty. | Description |
|------|-------------|------|---------------------------|
| 1 | 100-8586 | 1 | Backing Plate ASM |
| 2 | 104-6820 | 1 | Adjuster Kit |
| 2:1 | 100-8585 | 2 | Washer-Bellville |
| 2:2 | 100-8588 | 2 | Adjuster Lever ASM |
| 2:3 | 100-8584 | 2 | Cover-Dust |
| 2:4 | | 2 | Washer ● |
| 2:5 | | 2 | Bolt ● |
| 3 | 104-6818 | 4 | Shoe And Lining Kit |
| 4 | 104-6819 | 1 | Hardware Kit |
| 4:1 | 100-8583 | 2 | Shoe Hold Down Spring ASM |
| 4:2 | 100-8581 | 2 | Spring-Upper |
| 4:3 | 100-8582 | 2 | Spring-Lower |
| 4:4 | | 2 | Bolt And Washer ● |
| 5 | 114-8333 | 1 | Wheel Cylinder ASM |
| 6 | 104-6825 | 1 | LH Park Brake Lever ASM |

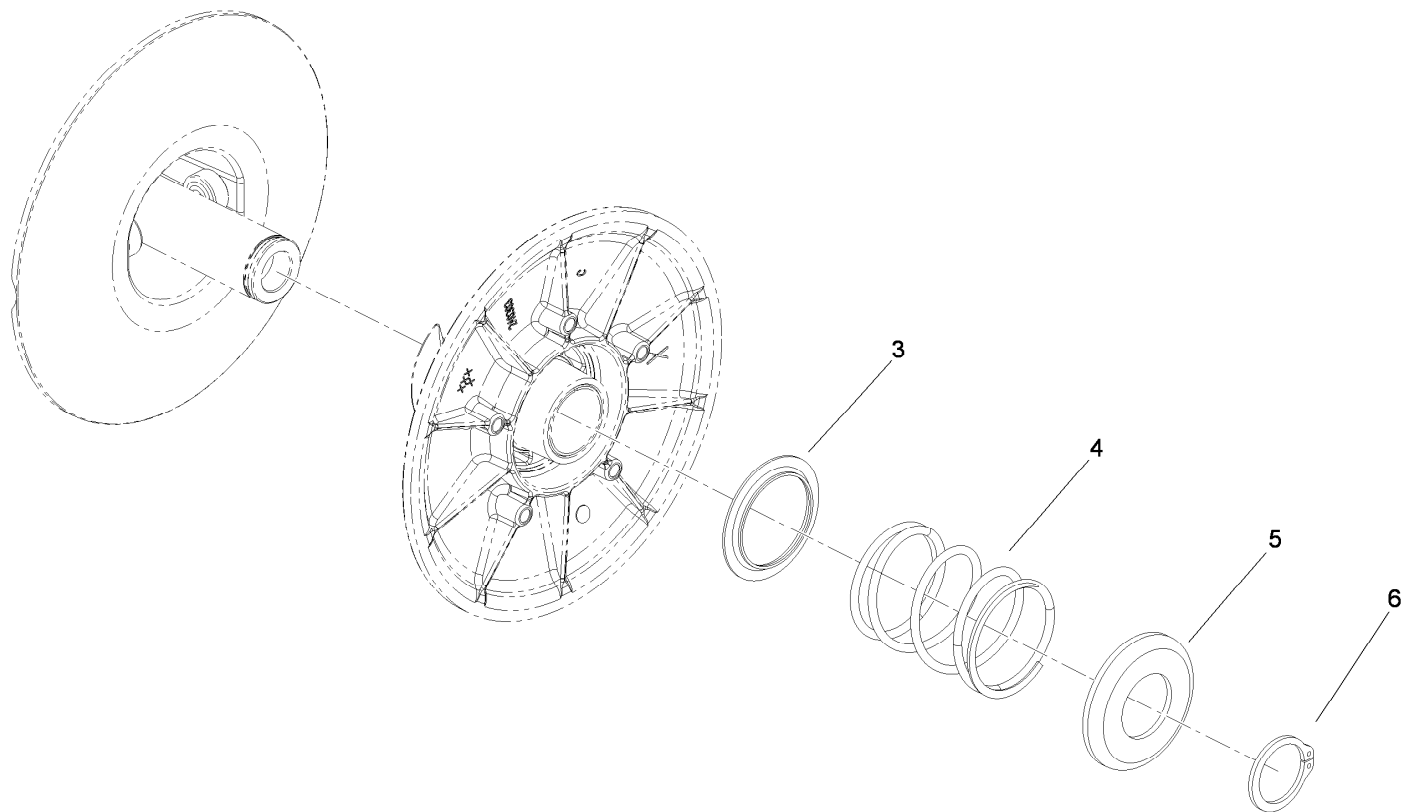
● Not serviced separately



RH Rear Brake Assembly No. 114-8331

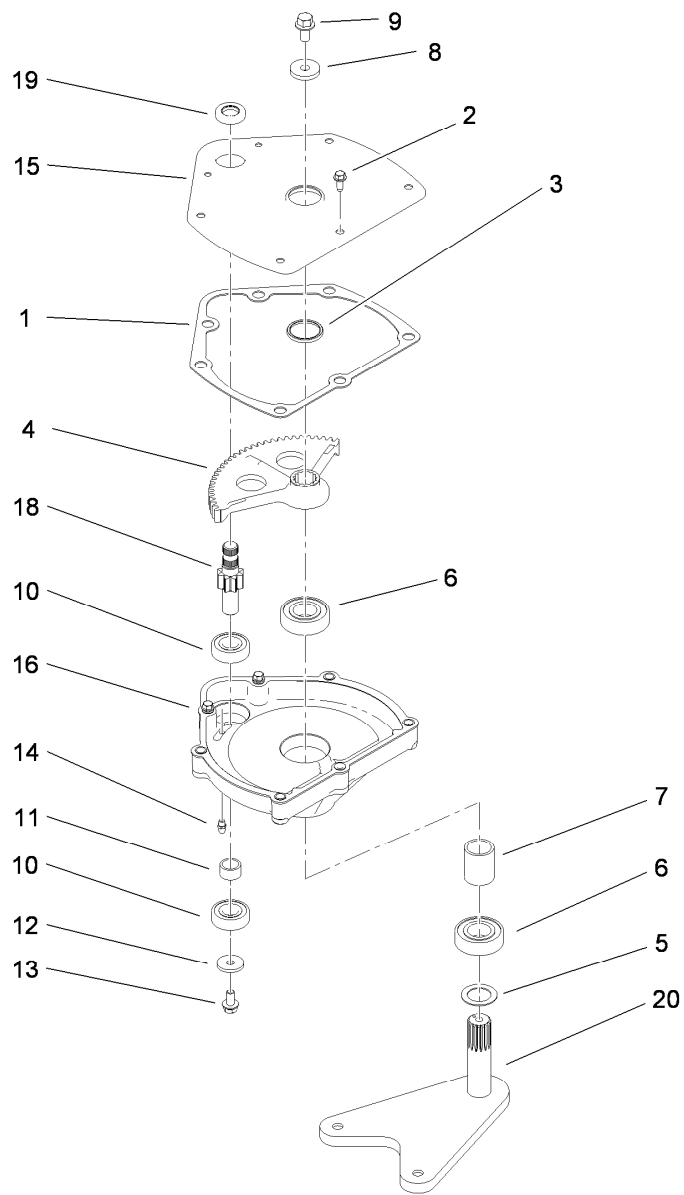
| Ref. | Part Number | Qty. | Description |
|------|-------------|------|---------------------------|
| 1 | 100-8586 | 1 | Backing Plate ASM |
| 2 | 104-6820 | 1 | Adjuster Kit |
| 2:1 | 100-8585 | 2 | Washer-Bellville |
| 2:2 | 100-8588 | 2 | Adjuster Lever ASM |
| 2:3 | 100-8584 | 2 | Cover-Dust |
| 2:4 | | 2 | Washer ● |
| 2:5 | | 2 | Bolt ● |
| 3 | 104-6818 | 4 | Shoe And Lining Kit |
| 4 | 104-6819 | 1 | Hardware Kit |
| 4:1 | 100-8583 | 2 | Shoe Hold Down Spring ASM |
| 4:2 | 100-8581 | 2 | Spring-Upper |
| 4:3 | 100-8582 | 2 | Spring-Lower |
| 4:4 | | 2 | Bolt And Washer ● |
| 5 | 114-8333 | 1 | Wheel Cylinder ASM |
| 6 | 104-6826 | 1 | RH Park Brake Lever ASM |

● Not serviced separately



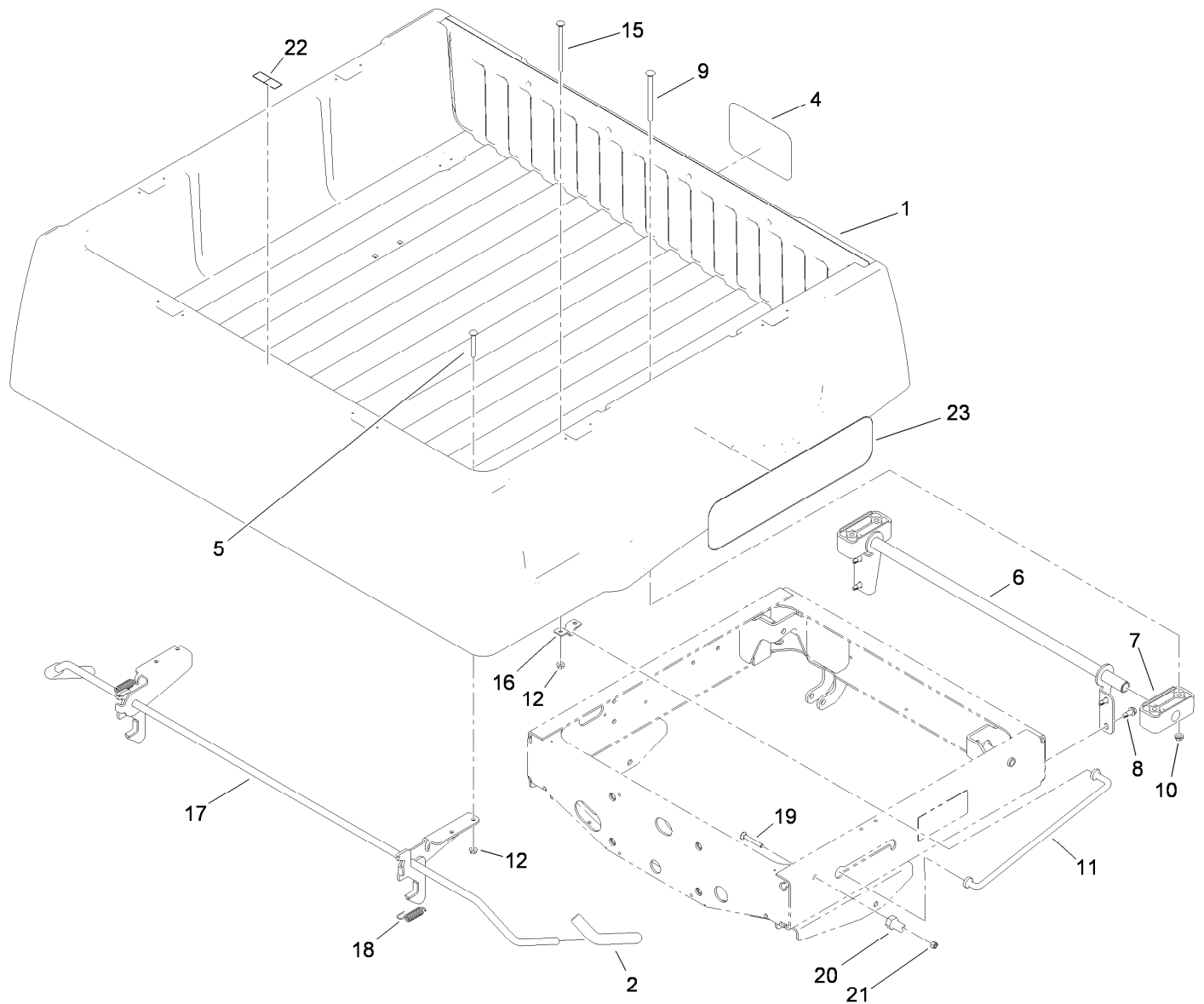
Secondary Clutch Assembly No. 119-0803

| <i>Ref.</i> | <i>Part Number</i> | <i>Qty.</i> | <i>Description</i> |
|-------------|--------------------|-------------|-------------------------------|
| 3 | 119-0809 | 1 | Cup-Spring Retainer, Inner |
| 4 | 119-0808 | 1 | Spring-Secondary (Black/Blue) |
| 5 | 119-0810 | 1 | Cup-Spring Retainer, Outer |
| 6 | 119-0811 | 1 | Ring-Retaining |



Steering Box Assembly No. 112-3130

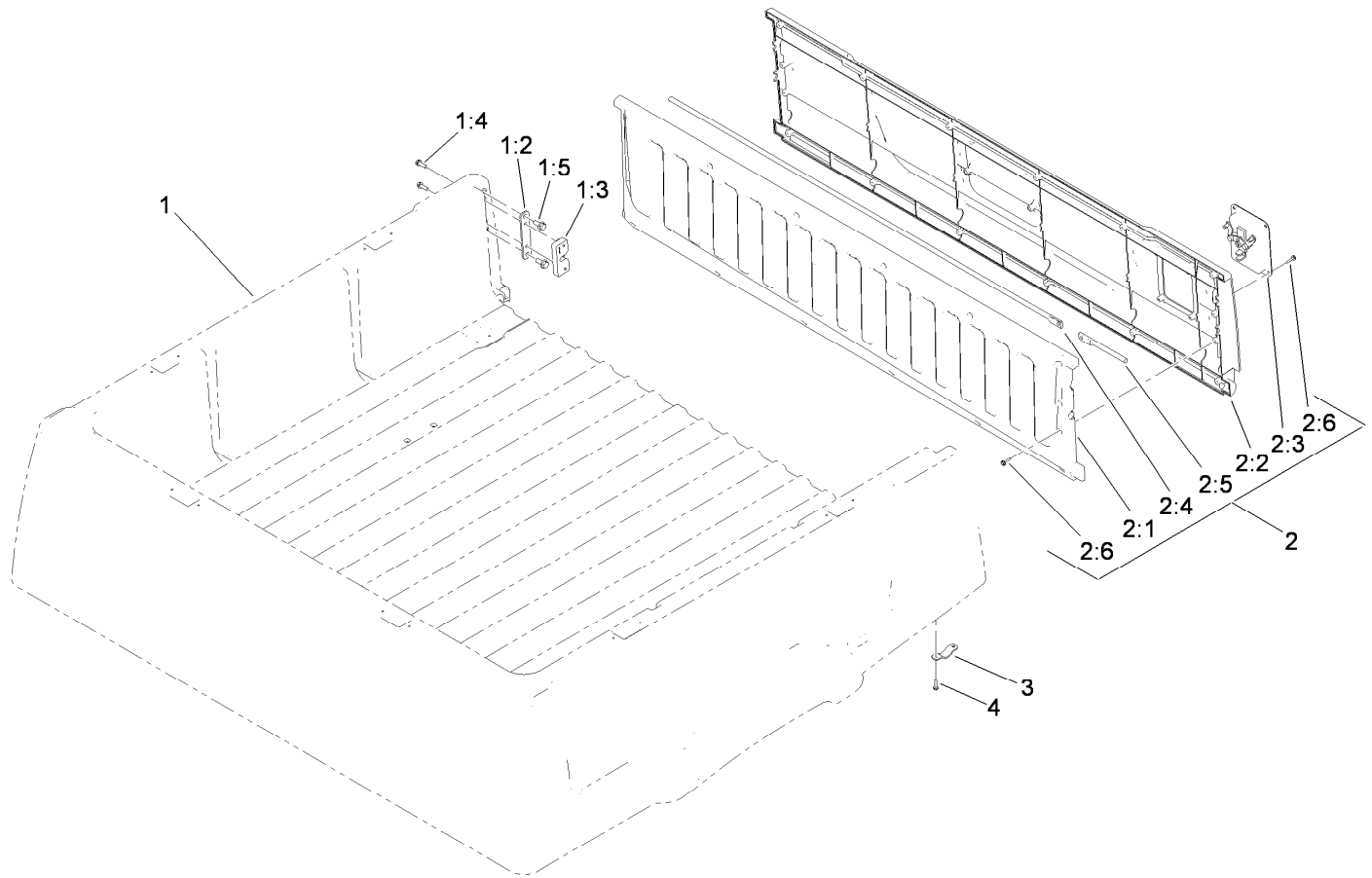
| <i>Ref.</i> | <i>Part Number</i> | <i>Qty.</i> | <i>Description</i> | <i>Ref.</i> | <i>Part Number</i> | <i>Qty.</i> | <i>Description</i> |
|-------------|--------------------|-------------|--------------------|-------------|--------------------|-------------|-------------------------|
| 1 | 94-2135 | 1 | Gasket | 11 | 94-2217 | 1 | Spacer-Shaft, Input |
| 2 | 32144-10 | 3 | Screw-HWH | 12 | 1-613235 | 1 | Washer |
| 3 | 103118 | 1 | Seal | 13 | 98-3498 | 1 | Screw-HH |
| 4 | 99-7843 | 1 | Sector-Gear | 14 | 302-5 | 1 | Fitting-Grease |
| 5 | 3256-42 | 1 | Washer-Flat | 15 | 112-2918-03 | 1 | Cover-Housing, Steering |
| 6 | 251-82 | 2 | Bearing-Ball | 16 | 114-8309 | 1 | Housing-Steering |
| 7 | 112-2917 | 1 | Spacer | 18 | 115-7726 | 1 | Gear-Pinion |
| 8 | 104-6563 | 1 | Washer-Stepped | 19 | 99-7657 | 1 | Seal-Oil |
| 9 | 104-7156 | 1 | Screw-HHF | 20 | 112-3096-03 | 1 | Pitman Arm ASM |
| 10 | 38-7820 | 2 | Bearing-Ball | | | | |



Box and Tailgate Installation Assembly

| Ref. | Part Number | Qty. | Description | Ref. | Part Number | Qty. | Description |
|------|-------------|------|---------------------------------|------|-------------|------|---------------------|
| 1 | | 1 | Cargo Bed And Tailgate ASM ● | 12 | 32128-20 | 6 | Nut-HF |
| 2 | 119-9627 | 2 | Grip-Handle | 15 | 119-0914 | 2 | Bolt-CARR |
| 4 | 104-7213 | 1 | Decal | 16 | 99-7896 | 1 | Bracket-U, Prop Rod |
| 5 | 3230-8 | 4 | Screw-CARR | 17 | 119-0837 | 1 | Latch ASM |
| 6 | 119-0848-03 | 1 | Pivot Bracket ASM | 18 | 5-7290 | 2 | Spring-Tension |
| 7 | 119-0835 | 2 | Bushing-Pivot | 19 | 3230-7 | 2 | Screw-CARR |
| 8 | 105-6245 | 4 | Screw-Tapping | 20 | 104-7248 | 2 | Pin-Latch |
| 9 | 109-6795 | 4 | Bolt-CARR | 21 | 3296-29 | 2 | Nut-Lock, NI |
| 10 | 3290-357 | 4 | Nut-HHF, Whiz | 22 | 115-7739 | 1 | Decal-No Riders |
| 11 | 119-0844 | 1 | Rod-Prop | 23 | 119-0894 | 2 | Decal |

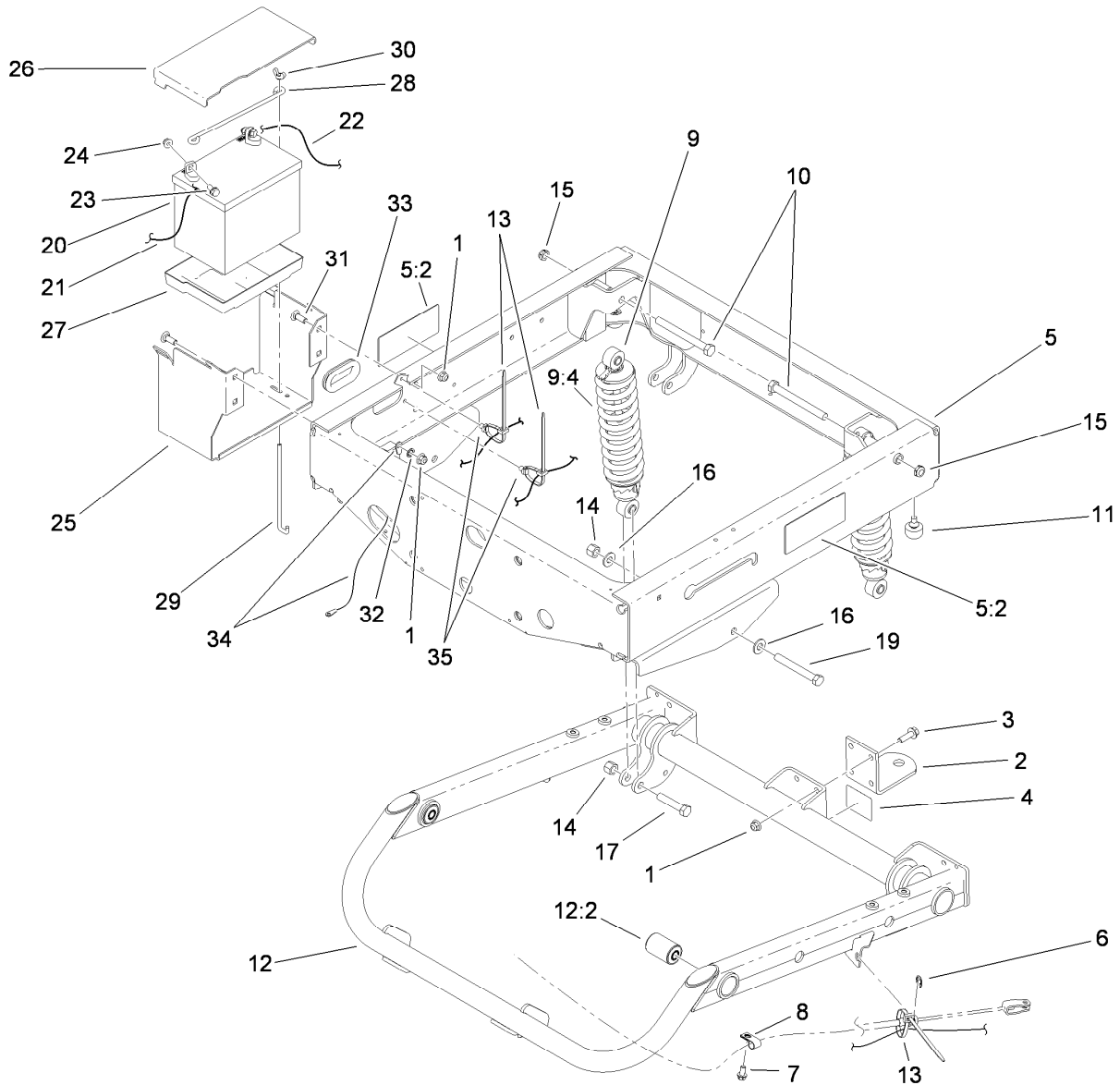
● Not serviced separately



Cargo Bed Service Assembly No. 119-9710

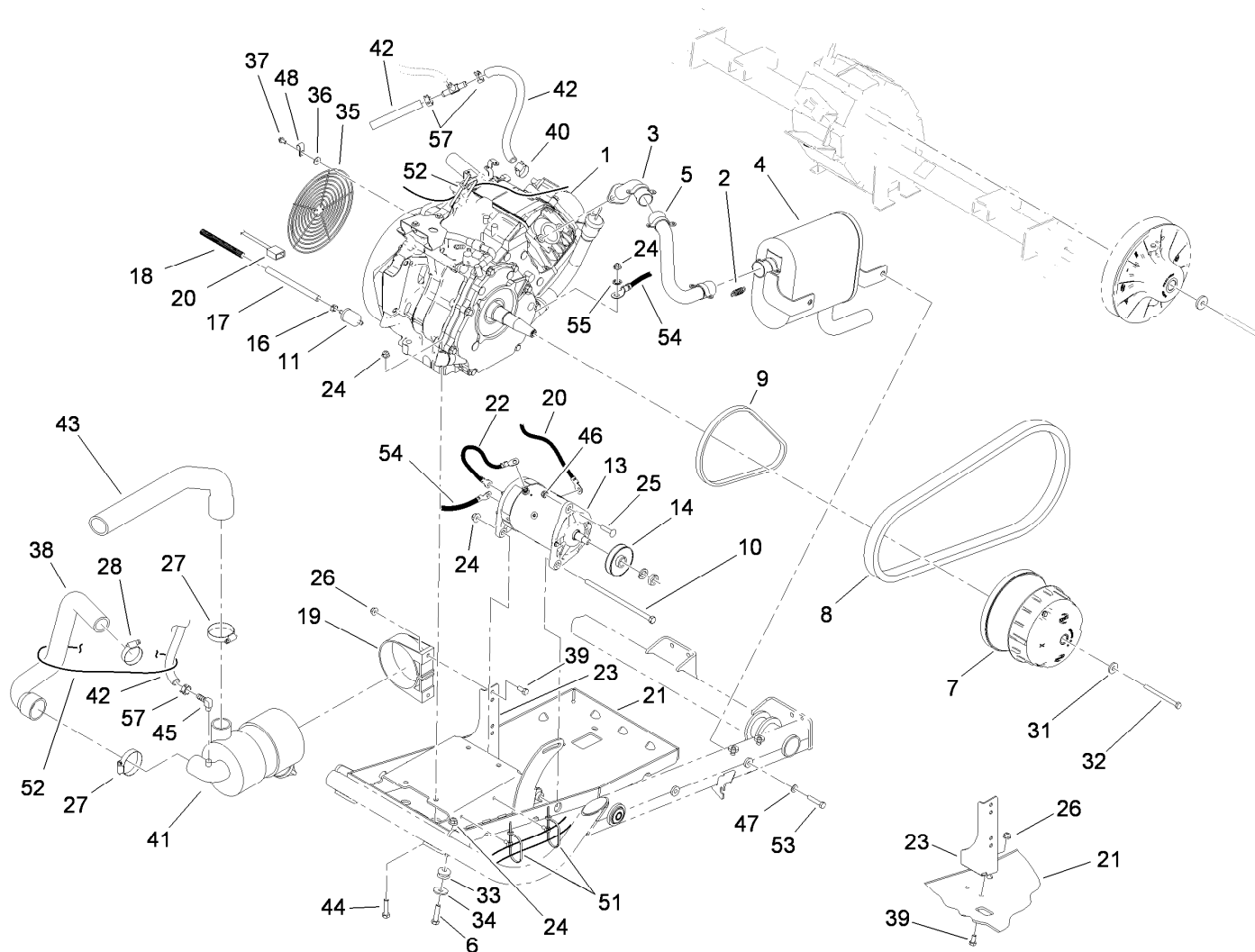
| Ref. | Part Number | Qty. | Description |
|------|-------------|------|------------------------|
| 1 | | 1 | Cargo Bed W/ Strikes ● |
| 1:2 | 119-0838 | 2 | Mount-Striker |
| 1:3 | 119-0892 | 2 | Strike-Latch |
| 1:4 | 3234-47 | 4 | Screw-HHF |
| 1:5 | 32105-15 | 4 | Screw |
| 2 | | 1 | Tailgate ASM ● |
| 2:1 | 119-0839 | 1 | Tailgate Inner |
| 2:2 | 119-0840 | 1 | Tailgate Outer |
| 2:3 | 119-0891 | 1 | Handle-Latch |
| 2:4 | 119-0842 | 1 | Rod-Latch, RH |
| 2:5 | 119-0843 | 1 | Rod-Latch, LH |
| 2:6 | 98-1375 | 20 | Screw-HWH |
| 3 | 119-0849 | 2 | Retainer-Tailgate |
| 4 | 98-1375 | 4 | Screw-HWH |

● Not serviced separately



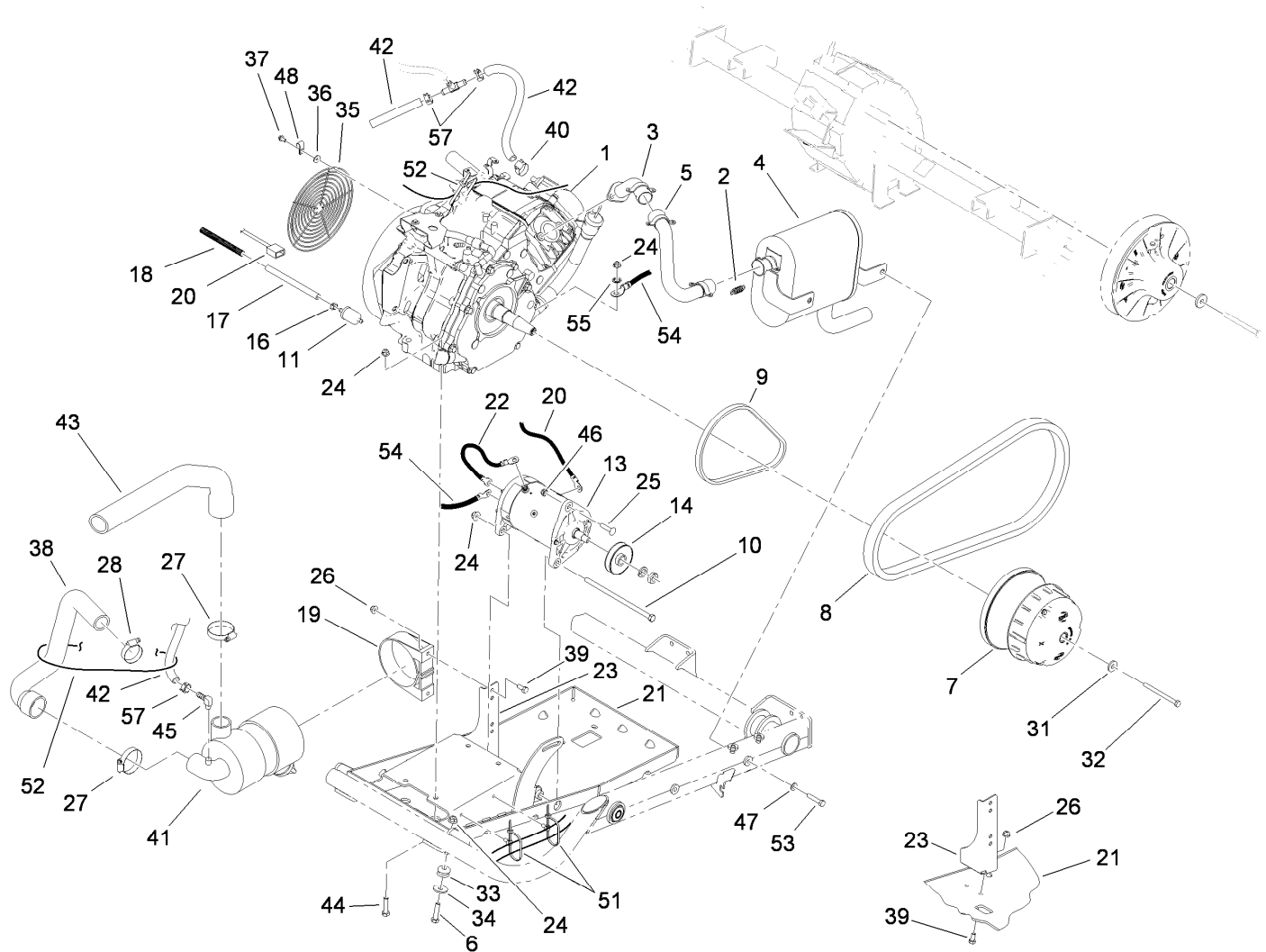
Frame Assembly

| Ref. | Part Number | Qty. | Description | Ref. | Part Number | Qty. | Description |
|------|-------------|------|----------------------------------|------|-------------|------|-------------------------|
| 1 | 104-8301 | 8 | Nut-Flange, NI | 16 | 87-7270 | 4 | Washer-Thrust |
| 2 | 99-7654-03 | 1 | Hitch-Duty, Light | 17 | 325-10 | 2 | Screw-HH |
| 3 | 3234-24 | 4 | Screw-HHF | 19 | 325-17 | 2 | Screw-HH |
| 4 | 99-7350 | 1 | Decal-Rating, Hitch (Light Duty) | 20 | 104-8162 | 1 | Battery |
| 5 | 119-9628 | 1 | Rear Frame Service ASM | 21 | 115-8107 | 1 | Cable-Battery, Negative |
| 5:2 | 99-7345 | 2 | Decal-Warning | 22 | 114-9404 | 1 | Cable-Battery, Positive |
| 6 | 32120-47 | 2 | Ring-Retaining, External | 23 | 3234-5 | 2 | Screw-HHF |
| 7 | 32144-4 | 2 | Screw-HWH | 24 | 104-8300 | 2 | Nut-Flange, NI |
| 8 | 2412-89 | 2 | Clamp-R | 25 | 115-2302-03 | 1 | Base-Battery |
| 9 | 112-3168 | 2 | Rear Shock/Spring ASM | 26 | 115-2394 | 1 | Cover-Battery |
| 9:4 | 112-3386 | 1 | Spring | 27 | 106948 | 1 | Tray-Battery |
| 10 | 325-19 | 2 | Screw-HH | 28 | 100-6434 | 1 | Rod-Hold Down, Battery |
| 11 | 87-2440 | 2 | Bumper-Rubber | 29 | 100-6435 | 2 | Post-Battery |
| 12 | 115-7614 | 1 | Swing Arm ASM | 30 | 32103-22 | 2 | Nut-Wing |
| 12:2 | 112-3377 | 2 | Bushing-Arm, Control | 31 | 3231-22 | 4 | Screw-CARR |
| 13 | 3290-378 | 4 | Tie-Cable | 32 | 3254-6 | 1 | Washer-Lock, Internal |
| 14 | 3296-23 | 4 | Nut-Lock, NI | 33 | 240-12 | 1 | Grommet |
| 15 | 3296-45 | 2 | Nut-Lock, NI | 34 | 115-8108 | 1 | Cable-Battery, Negative |
| | | | | 35 | 32180-030 | 2 | Clip-Harness |



Engine and Clutch Assembly

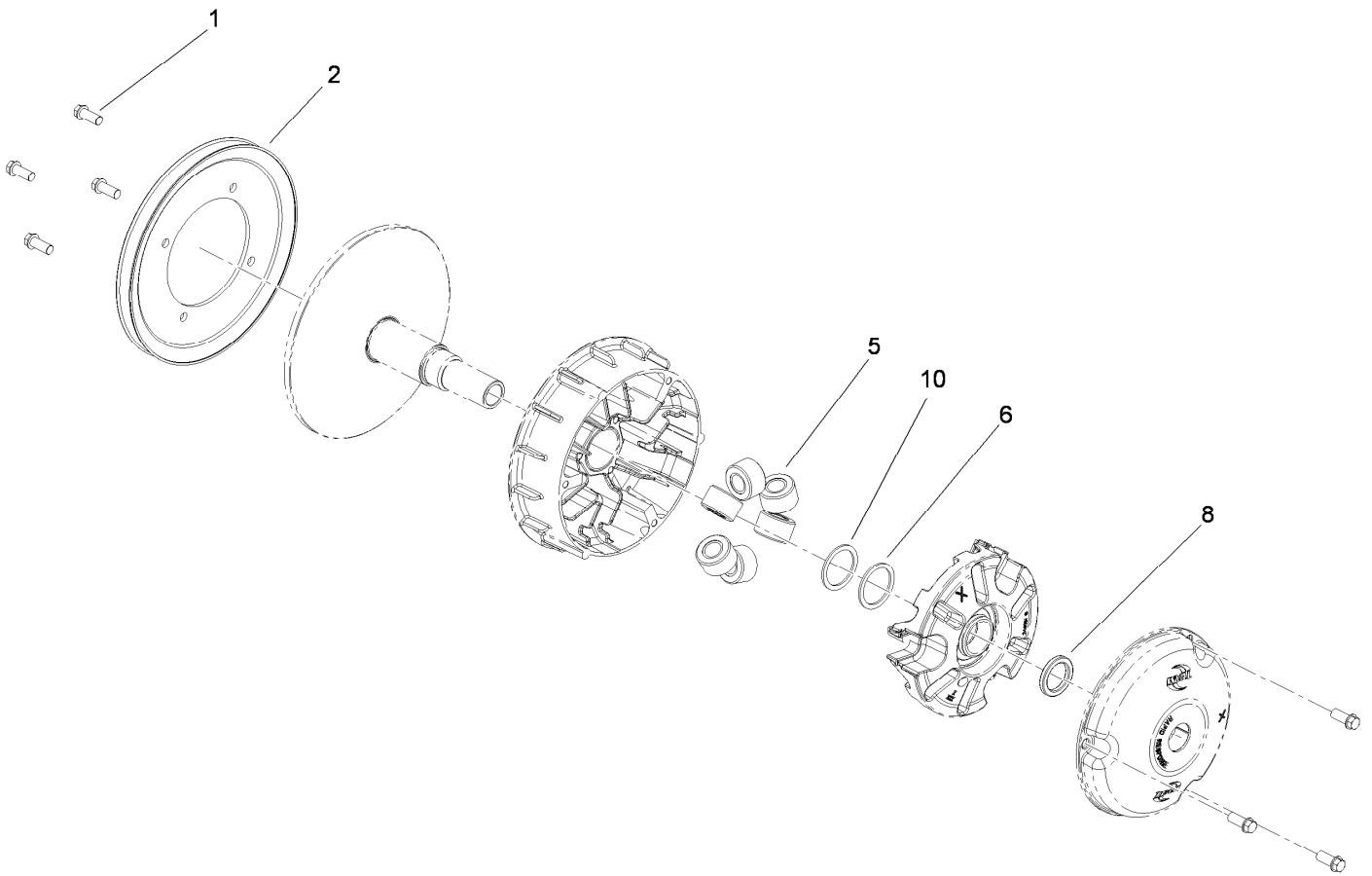
| Ref. | Part Number | Qty. | Description | Ref. | Part Number | Qty. | Description |
|------|-------------|------|-------------------------|------|-------------|------|-------------------------|
| 1 | 119-0816 | 1 | Engine-Yamaha, Mz360 | 24 | 104-8301 | 7 | Nut-Flange, NI |
| 2 | 104-6478 | 4 | Spring-Coupler, Exhaust | 25 | 112-6950 | 1 | Screw-CARR |
| 3 | 104-6511 | 1 | Manifold | 26 | 104-8300 | 4 | Nut-Flange, NI |
| 4 | 119-0746 | 1 | Muffler | 27 | 2412-130 | 2 | Clamp-Hose |
| 5 | 119-0716 | 1 | Pipe-Exhaust, Kohler | 28 | 2412-111 | 1 | Clamp |
| 6 | 323-8 | 2 | Screw-HH | 31 | 119-0724 | 1 | Washer-Flange |
| 7 | 119-0802 | 1 | Clutch-Primary | 32 | 119-0721 | 1 | Screw-HH |
| 8 | 119-0710 | 1 | Belt-Variable | 33 | 63-9750 | 2 | Mount |
| 9 | 112-3131 | 1 | Belt-Starter | 34 | 2844 | 2 | Washer |
| 10 | 323-30 | 1 | Screw-HH | 35 | 119-9502 | 1 | Grill-Engine |
| 11 | 94-2690 | 1 | Filter-Fuel | 36 | 3256-78 | 4 | Washer-Flat |
| 13 | 119-9545 | 1 | Starter Generator ASM | 37 | 33103-012 | 4 | Screw-HHF |
| 14 | 119-9482 | 1 | Pulley-Drive | 38 | 112-3247 | 1 | Hose-Intake |
| 16 | 2412-98 | 3 | Clamp | 39 | 3234-36 | 4 | Screw-HHF |
| 17 | 107-0588 | 1 | Hose-Fuel | 40 | 2412-36 | 1 | Clamp-Hose |
| 18 | 99-7377 | 1 | Conduit-Line, Fuel | 41 | 99-7120 | 1 | Air Cleaner ASM |
| 19 | 95-5806 | 1 | Bracket-Mounting | 42 | 74-9120 | 2 | Hose-Overflow, Radiator |
| 20 | 115-8125 | 1 | Harness-Wire, Engine | 43 | 115-7625 | 1 | Hose-Intake |
| 21 | 119-0707-03 | 1 | Engine Tray ASM | 44 | 323-9 | 4 | Screw-HH |
| 22 | 99-7403 | 1 | Cable-Negative | 45 | 99-7230 | 1 | Fitting-90 DEG |
| 23 | 119-0863-03 | 1 | Bracket-Cleaner, Air | 46 | 3296-69 | 1 | Nut-Lock NI |



Engine and Clutch Assembly (continued)

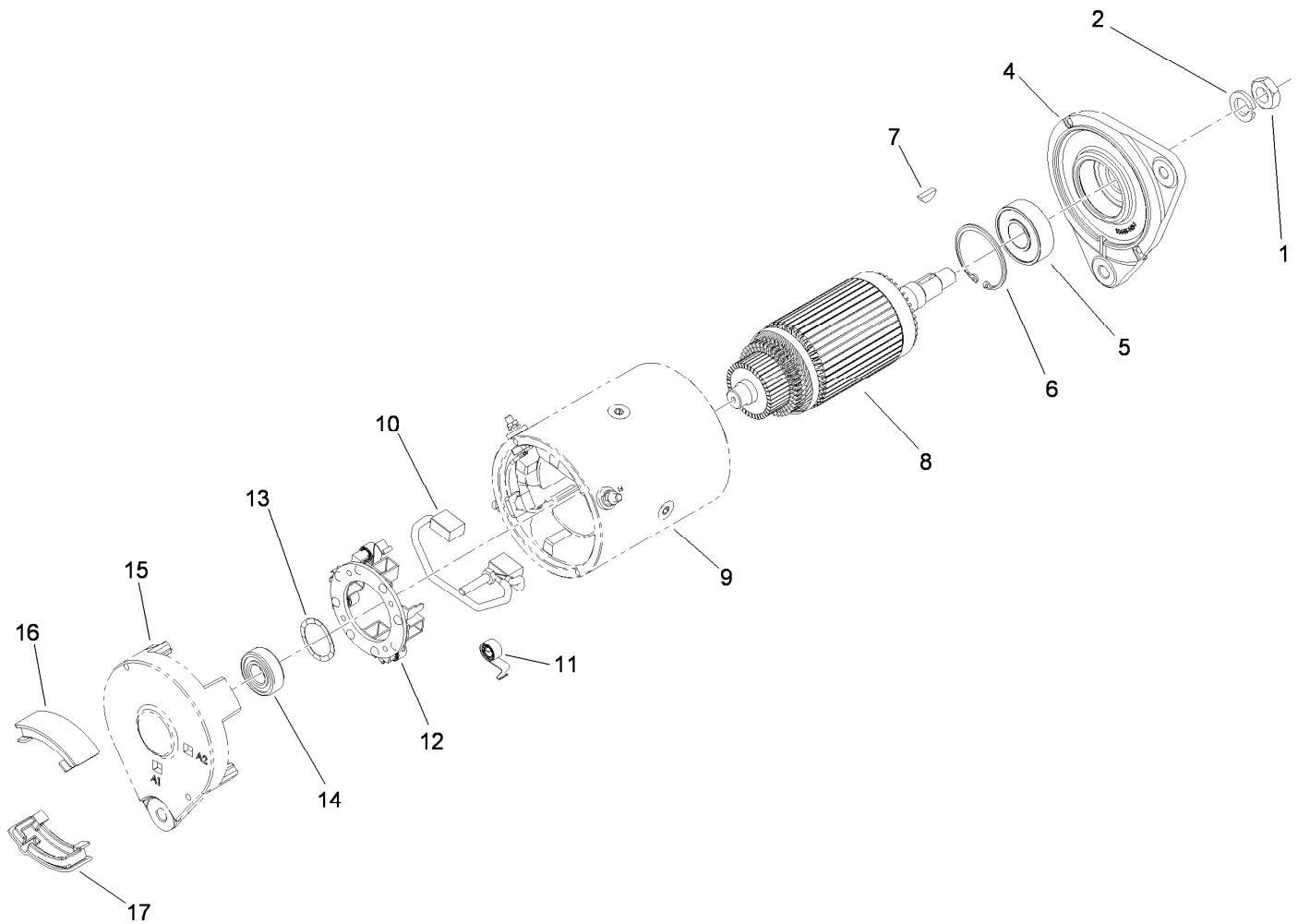
| <i>Ref.</i> | <i>Part Number</i> | <i>Qty.</i> | <i>Description</i> |
|-------------|--------------------|-------------|--------------------|
| 47 | 3253-4 | 2 | Washer-Lock |
| 48 | 2412-89 | 1 | Clamp-R |
| 51 | 32180-030 | 2 | Clip-Harness |
| 52 | 3290-378 | 2 | Tie-Cable |

| <i>Ref.</i> | <i>Part Number</i> | <i>Qty.</i> | <i>Description</i> |
|-------------|--------------------|-------------|-----------------------|
| 53 | 322-11 | 2 | Screw-HH |
| 54 | 100335 | 1 | Wire-Ground |
| 55 | 3254-6 | 1 | Washer-Lock, Internal |
| 57 | 103-1988 | 3 | Clamp-Hose |



Primary Clutch Assembly No. 119-0802

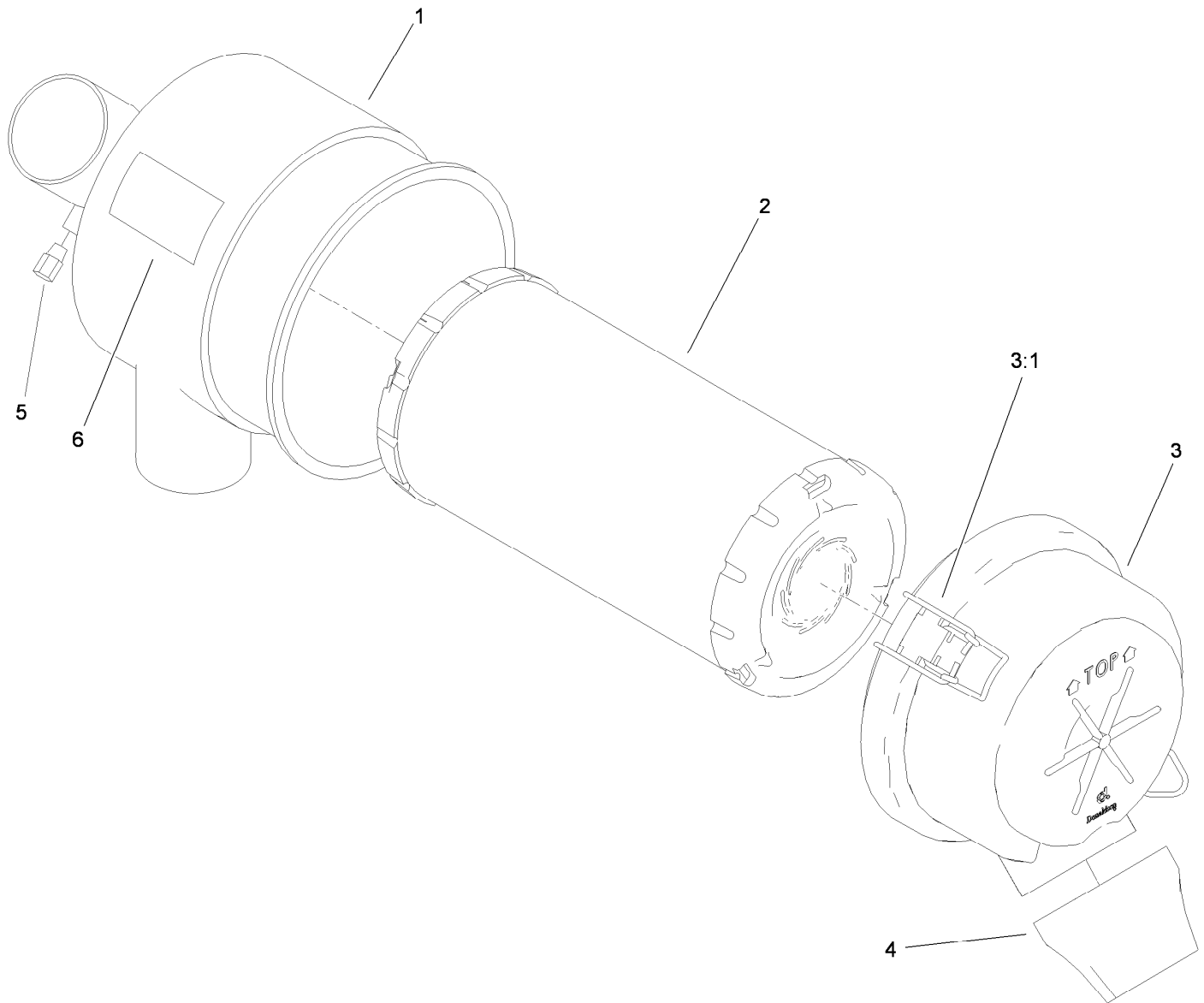
| <i>Ref.</i> | <i>Part Number</i> | <i>Qty.</i> | <i>Description</i> |
|-------------|--------------------|-------------|------------------------|
| 1 | 49-2040 | 7 | Screw-HWHTF |
| 2 | 119-0813 | 1 | Pulley-Primary |
| 5 | 119-0805 | 6 | Weight-Roller (38.3Gm) |
| 6 | 119-0812 | 1 | Shim-Spider |
| 8 | 119-0807 | 1 | Shim-Limiter (.175) |
| 10 | 119-0815 | 1 | Shim-Spider |



Starter Generator Assembly No. 119-9545

| <i>Ref.</i> | <i>Part Number</i> | <i>Qty.</i> | <i>Description</i> | <i>Ref.</i> | <i>Part Number</i> | <i>Qty.</i> | <i>Description</i> |
|-------------|--------------------|-------------|----------------------------|-------------|--------------------|-------------|-------------------------------------|
| 1 | 119-9651 | 1 | Nut | 10 | 119-9659 | 1 | Brush Lead And Terminal Service Kit |
| 2 | 119-9652 | 1 | Washer-Lock | 11 | 119-9660 | 4 | Spring-Brush |
| 4 | 119-9654 | 1 | Head-Drive End | 12 | 119-9661 | 1 | Brush Box ASM |
| 5 | 119-9655 | 1 | Bearing | 13 | 119-9662 | 1 | Washer-Wave |
| 6 | 119-9656 | 1 | Ring-Retaining | 14 | 119-9663 | 1 | Bearing |
| 7 | 119-9657 | 1 | Key-Woodruff | 15 | | 1 | Cummutator End Head ● |
| 8 | 119-9658 | 1 | Armature ASM | 16 | 119-9664 | 3 | Plug-Rubber |
| 9 | | 1 | Frame And Field Assembly ● | 17 | 119-9665 | 1 | Plug-Rubber |

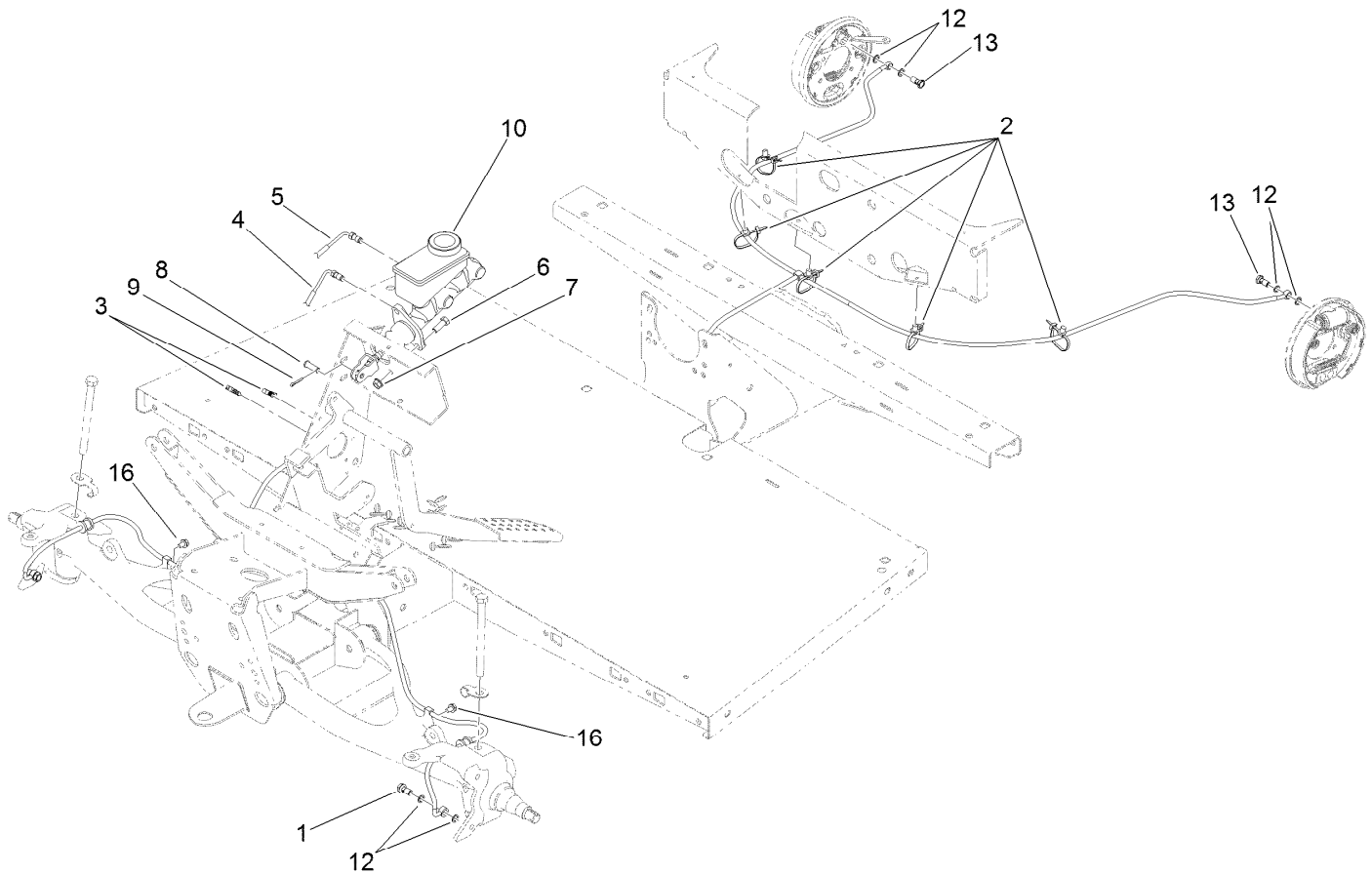
● Not serviced separately



Air Cleaner Assembly No. 99-7120

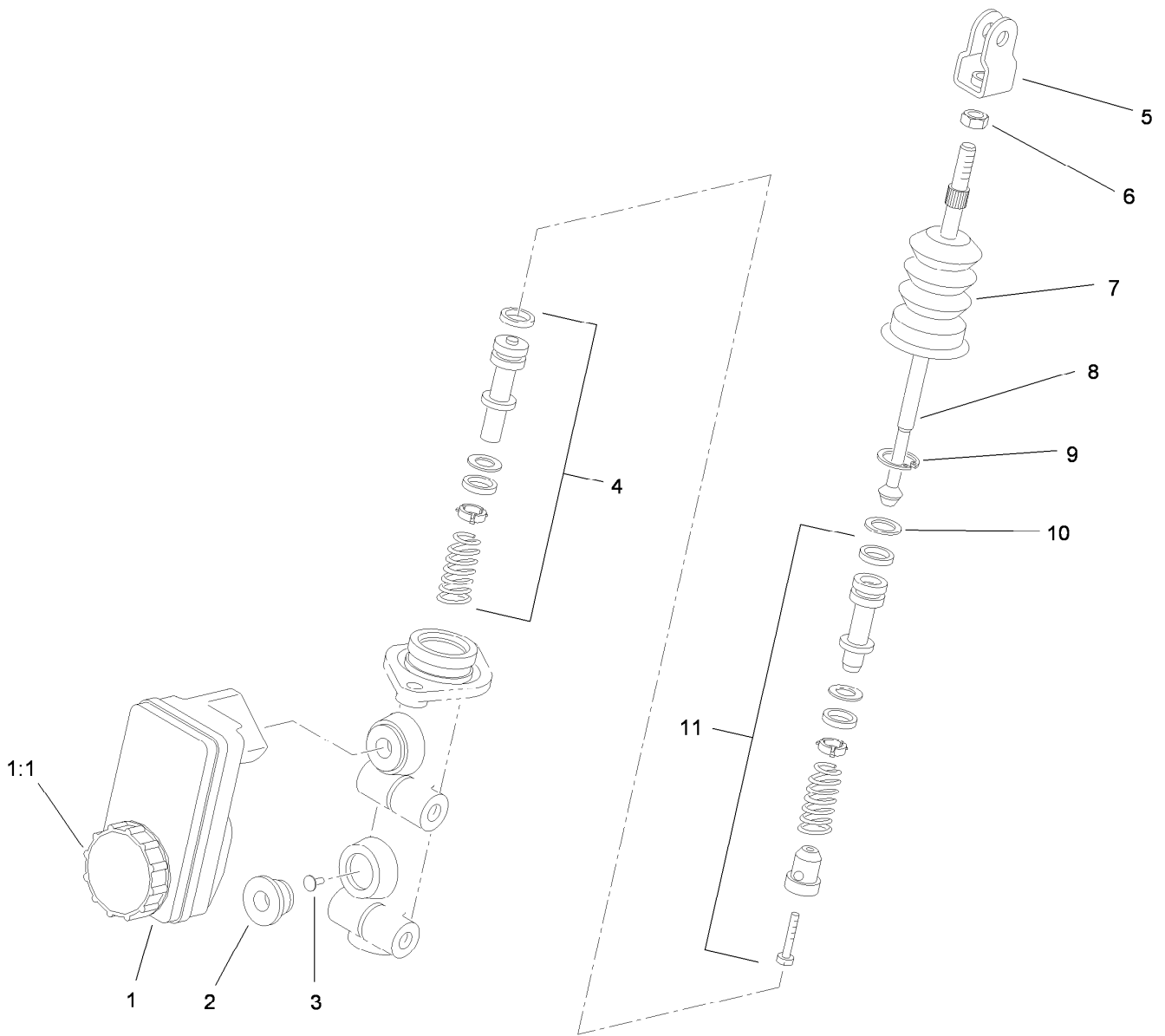
| Ref. | Part Number | Qty. | Description |
|------|-------------|------|--------------------|
| 1 | | 1 | Body ● |
| 2 | 108-3811 | 1 | Filter-Air |
| 3 | 94-3652 | 1 | Cover ASM |
| 3:1 | 1-643283 | 2 | Latch-Cleaner, Air |
| 4 | 87-9400 | 1 | Valve-Vacuator |
| 5 | | 1 | Plug ● |
| 6 | | 1 | Marking ● |

● Not serviced separately



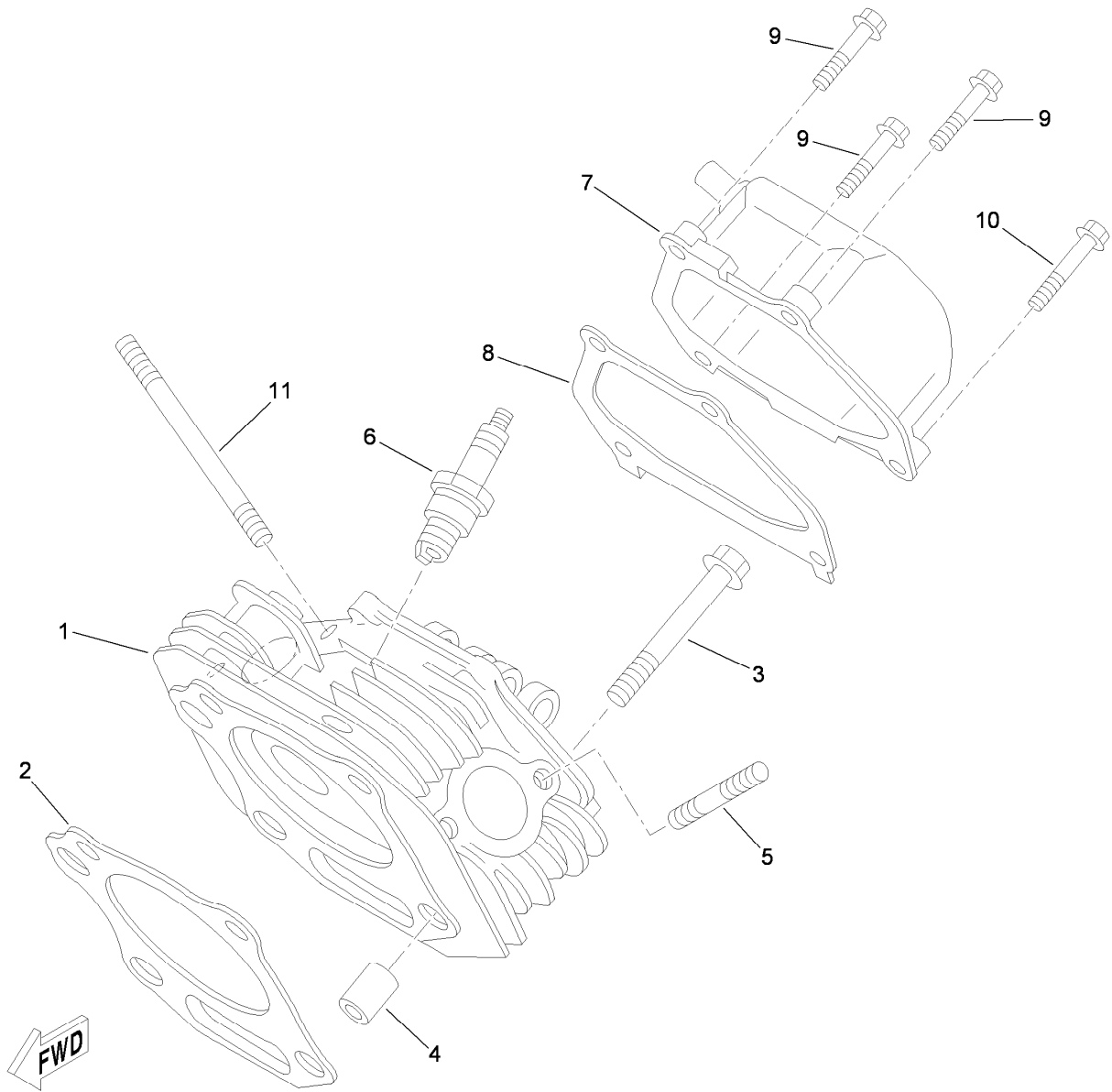
Master Cylinder and Brake Line Assembly

| Ref. | Part Number | Qty. | Description |
|------|-------------|------|---------------------|
| 1 | 120-4875 | 2 | Bolt-Flange, Banjo |
| 2 | 32180-030 | 5 | Clip-Harness |
| 3 | 114-8324 | 4 | Clip-Line, Brake |
| 4 | 119-9683 | 1 | Front Brake Line |
| 5 | 112-2926 | 1 | Rear Brake Line ASM |
| 6 | 323-6 | 2 | Screw-HH |
| 7 | 3290-357 | 2 | Nut-HHF, Whiz |
| 8 | 283-2 | 1 | Pin-Clevis |
| 9 | 3272-10 | 1 | Pin-Cotter |
| 10 | 104-6782 | 1 | Cylinder-Master |
| 12 | 115-2341 | 8 | Washer-Banjo |
| 13 | 115-2340 | 2 | Bolt-Banjo |
| 16 | 32104-82 | 2 | Screw-HHF |



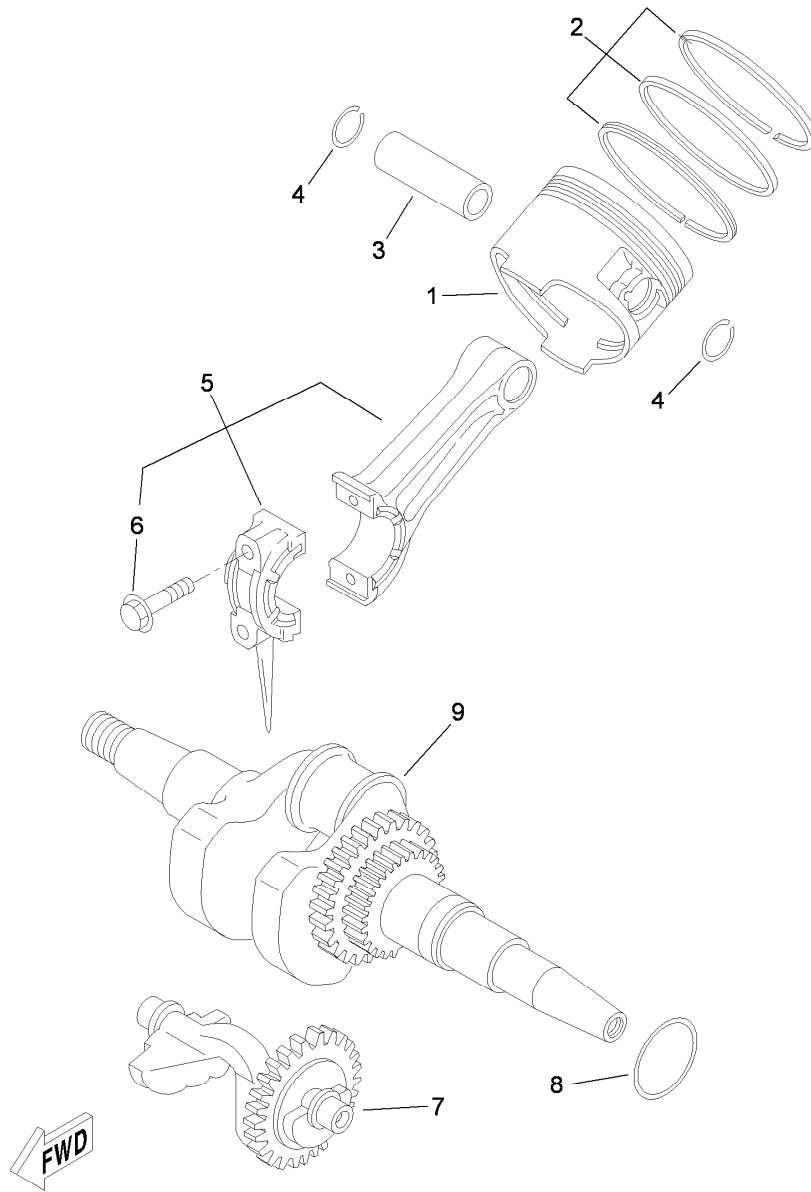
Master Cylinder Assembly No. 104-6782

| Ref. | Part Number | Qty. | Description |
|------|-------------|------|----------------------|
| 1 | 104-6845 | 1 | Reservoir ASM |
| 1:1 | 92-4112 | 1 | Cap ASM |
| 2 | 93-8971 | 2 | Seal-Port, Flange |
| 3 | 92-4103 | 1 | Pin-Stop |
| 4 | 92-4102 | 1 | Secondary Piston ASM |
| 5 | 92-4110 | 1 | Clevis |
| 6 | 21-0360 | 1 | Nut-Hex |
| 7 | 94-5209 | 1 | Cover-Dust |
| 8 | 94-5210 | 1 | Rod-Push |
| 9 | 92-4109 | 1 | Ring-Snap |
| 10 | 92-4108 | 1 | Retainer-Washer |
| 11 | 92-4101 | 1 | Primary Piston ASM |



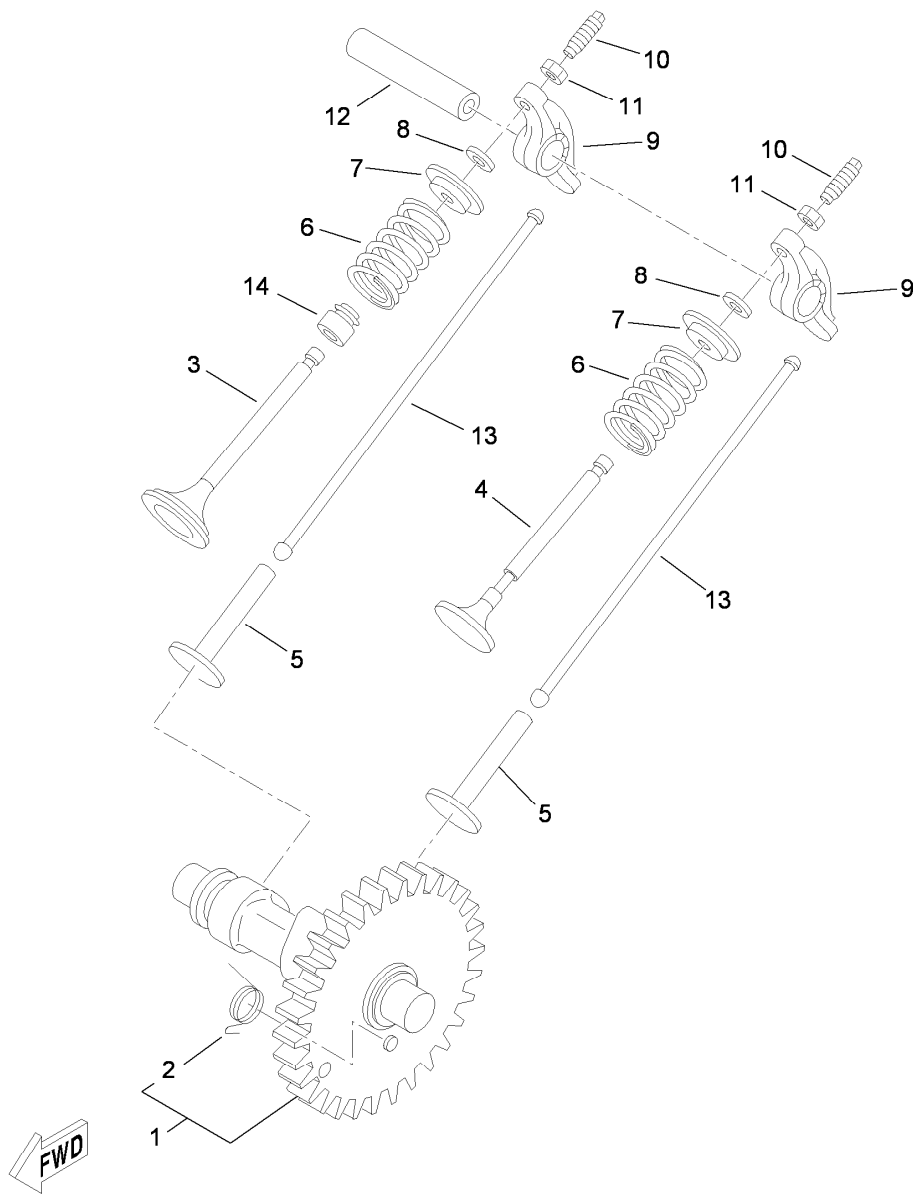
Cylinder Head Assembly

| Ref. | Part Number | Qty. | Description |
|------|-------------|------|------------------------------|
| 1 | 120-5600 | 1 | Head-Cylinder |
| 2 | 120-5601 | 1 | Gasket-Head, Cylinder |
| 3 | 120-5602 | 4 | Bolt-Flange |
| 4 | 120-5603 | 2 | Pin-Dowel |
| 5 | 120-5604 | 2 | Bolt-Stud |
| 6 | 120-5605 | 1 | *obs* Sparkplug (Ngk Bpr4Es) |
| 7 | 120-5606 | 1 | Cover-Head, Cylinder |
| 8 | 120-5607 | 1 | Gasket-Cover, Head |
| 9 | 120-5608 | 3 | Bolt-Flange |
| 10 | 120-5609 | 1 | Bolt-Flange |
| 11 | 120-5610 | 2 | Bolt-Stud |



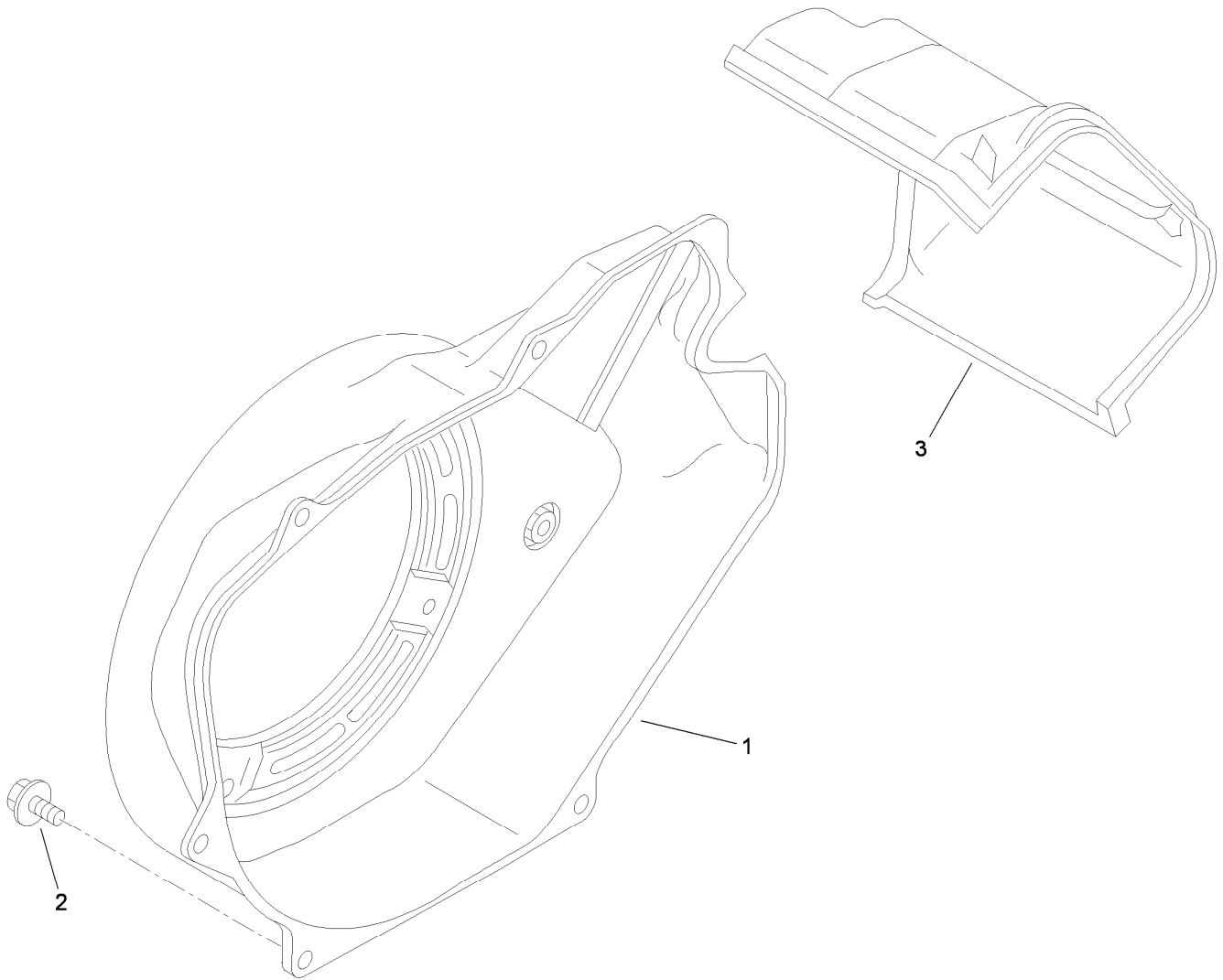
Crankshaft and Piston Assembly

| <i>Ref.</i> | <i>Part Number</i> | <i>Qty.</i> | <i>Description</i> |
|-------------|--------------------|-------------|------------------------------|
| 1 | 120-5614 | 1 | Piston (0.50Mm O/S) |
| 1 | 120-5613 | 1 | Piston (0.25Mm O/S) |
| 1 | 120-5612 | 1 | Piston (STD) |
| 2 | 120-5615 | 1 | Piston Ring Set (STD) |
| 2 | 120-5616 | 1 | Piston Ring Set (0.25Mm O/S) |
| 2 | 120-5617 | 1 | Piston Ring Set (0.50Mm O/S) |
| 3 | 120-5618 | 1 | Pin-Piston |
| 4 | 120-5619 | 2 | Circlip |
| 5 | 120-5620 | 1 | Connecting Rod ASM |
| 6 | 120-5621 | 2 | Bolt- Rod, Connecting |
| 7 | 120-5622 | 1 | Weight |
| 8 | 120-5623 | 1 | Shim-Crank |
| 9 | 120-5611 | 1 | Crankshaft ASM |



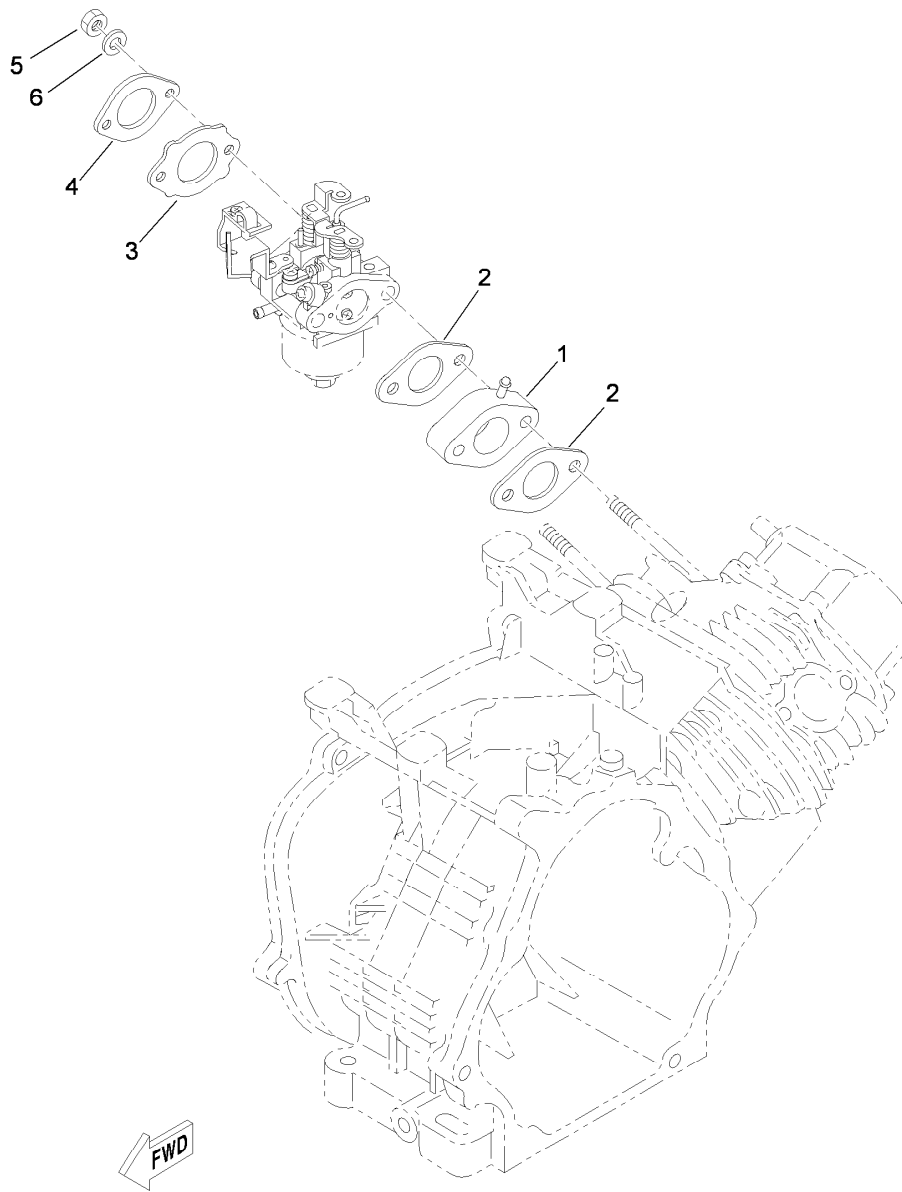
Camshaft and Valve Assembly

| Ref. | Part Number | Qty. | Description |
|------|-------------|------|------------------------|
| 1 | 120-5624 | 1 | Camshaft ASM |
| 2 | 120-5625 | 1 | Spring-Decompression |
| 3 | 120-5626 | 1 | Valve-Intake |
| 4 | 120-5627 | 1 | Valve-Exhaust |
| 5 | 120-5628 | 2 | Lifter-Valve |
| 6 | 120-5629 | 2 | Spring-Compression |
| 7 | 120-5630 | 2 | Retainer-Spring, Valve |
| 8 | 120-5631 | 2 | Cotter-Valve |
| 9 | 120-5632 | 2 | Arm-Rocker, Valve |
| 10 | 120-5633 | 2 | Screw-Adjusting, Valve |
| 11 | 120-5634 | 2 | Nut |
| 12 | 120-5635 | 1 | Shaft-Rocker |
| 13 | 120-5636 | 2 | Rod-Push, Valve |
| 14 | 120-5637 | 1 | Seal-Stem, Valve |



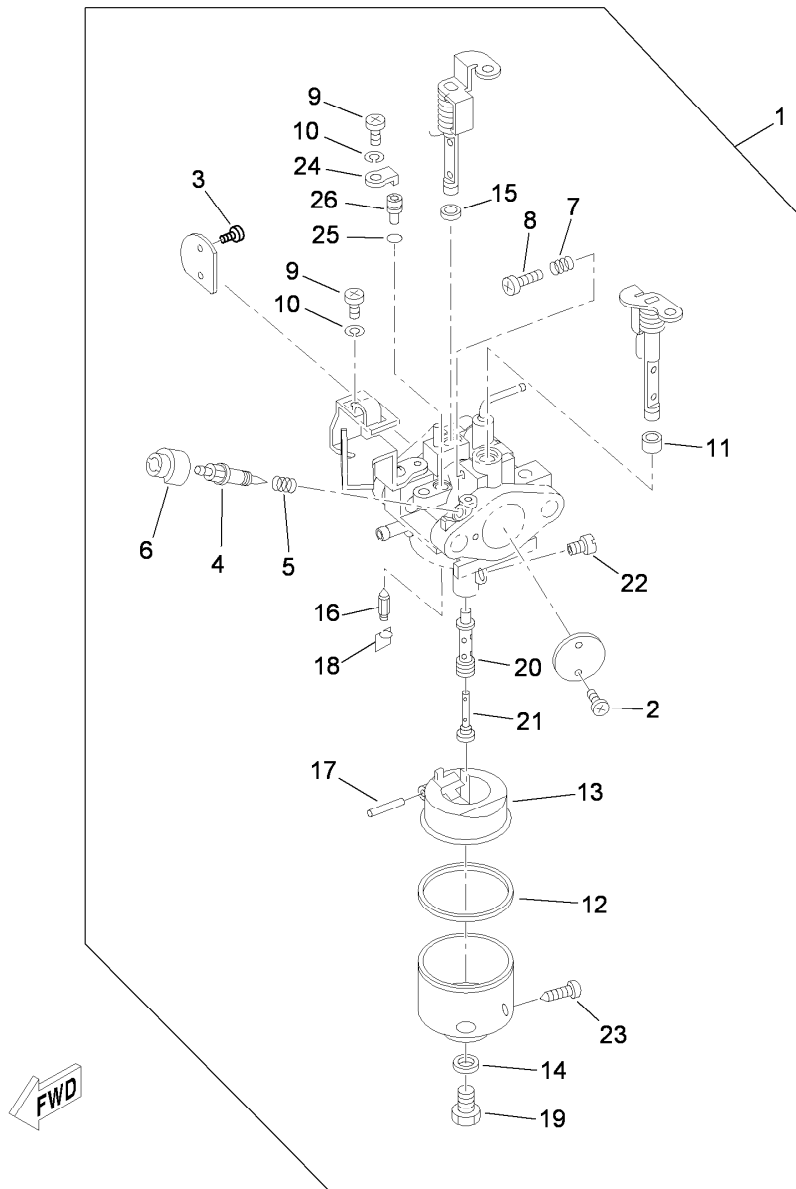
Starter Air Shroud Assembly

| <i>Ref.</i> | <i>Part Number</i> | <i>Qty.</i> | <i>Description</i> |
|-------------|--------------------|-------------|----------------------|
| 1 | 120-5638 | 1 | Case-Fan |
| 2 | 120-5639 | 5 | Bolt-Flange |
| 3 | 120-5640 | 1 | Shroud-Air, Cylinder |



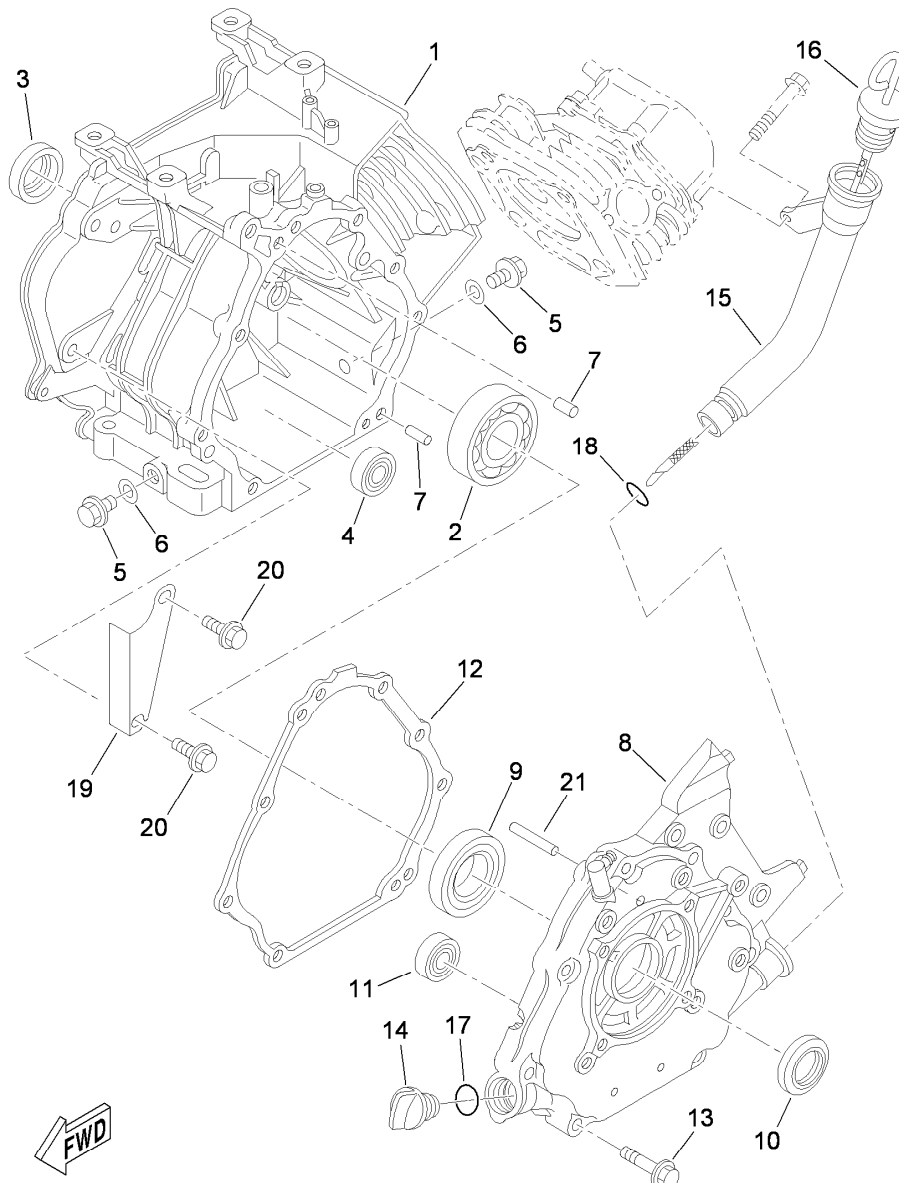
Intake Assembly

| <i>Ref.</i> | <i>Part Number</i> | <i>Qty.</i> | <i>Description</i> |
|-------------|--------------------|-------------|--------------------|
| 1 | 120-5641 | 1 | Joint-Carburetor |
| 2 | 120-5642 | 2 | Gasket |
| 3 | 120-5643 | 1 | Gasket |
| 4 | 120-5644 | 1 | Plate |
| 5 | 120-5645 | 2 | Nut |
| 6 | 120-5646 | 2 | Washer-Spring |



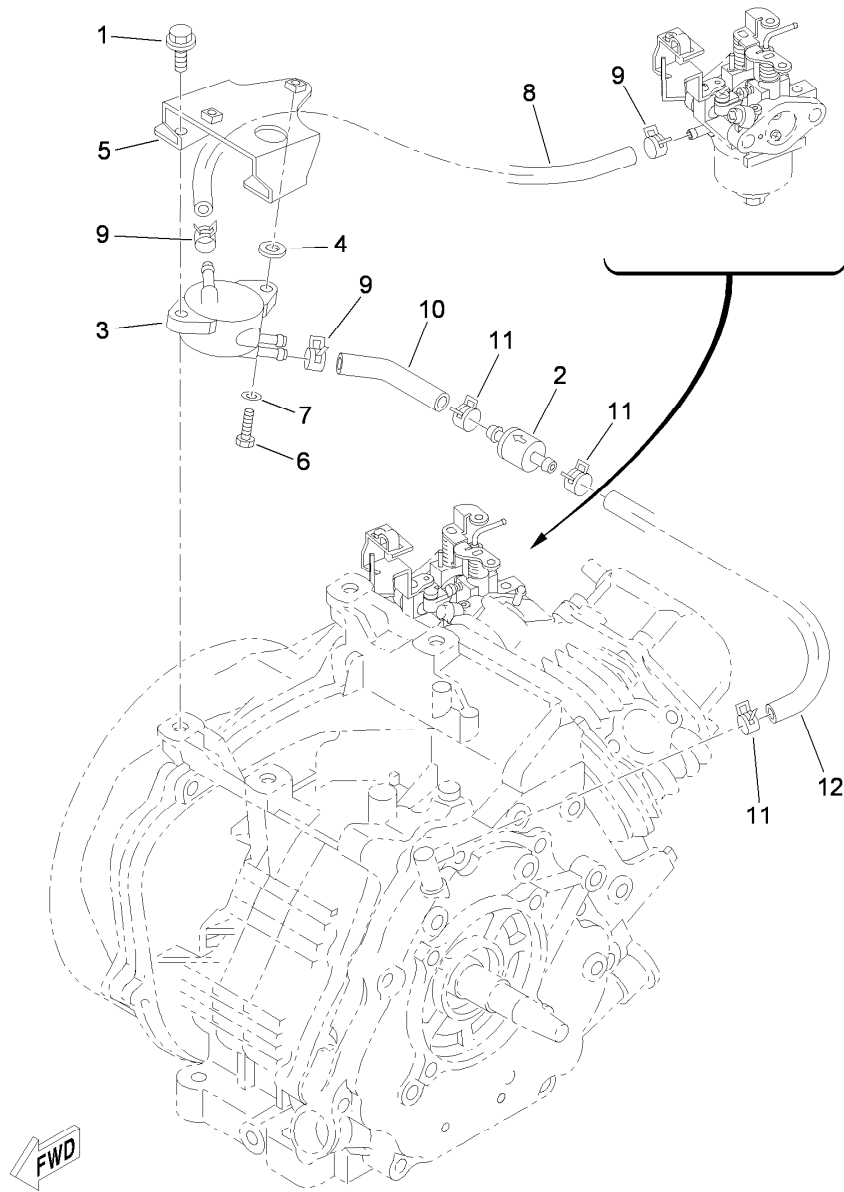
Carburetor Assembly

| <i>Ref.</i> | <i>Part Number</i> | <i>Qty.</i> | <i>Description</i> | <i>Ref.</i> | <i>Part Number</i> | <i>Qty.</i> | <i>Description</i> |
|-------------|--------------------|-------------|------------------------|-------------|--------------------|-------------|--------------------|
| 1 | 120-5647 | 1 | Carburetor ASM | 14 | 120-5660 | 1 | Gasket |
| 2 | 120-5648 | 2 | Screw | 15 | 120-5661 | 1 | Seal |
| 3 | 120-5649 | 2 | Screw-Rod | 16 | 120-5662 | 1 | Needle ASM |
| 4 | 120-5650 | 1 | Screw-Adjusting, Pilot | 17 | 120-5663 | 1 | Pin-Float |
| 5 | 120-5651 | 1 | Spring | 18 | 120-5664 | 1 | Clip |
| 6 | 120-5652 | 1 | Cap | 19 | 120-5665 | 1 | Bolt-Holding |
| 7 | 120-5653 | 1 | Spring | 20 | 120-5666 | 1 | Nozzle-Main |
| 8 | 120-5654 | 1 | Screw-Throttle | 21 | 120-5667 | 1 | Pipe-Bleed, Main |
| 9 | 120-5655 | 2 | Screw-Pan Head | 22 | 120-5668 | 1 | Jet-Main (115) |
| 10 | 120-5656 | 2 | Washer-Spring | 23 | 120-5669 | 1 | Plug-Drain |
| 11 | 120-5657 | 1 | Washer | 24 | 120-5670 | 1 | Plate |
| 12 | 120-5658 | 1 | Gasket-Chamber, Float | 25 | 120-5671 | 1 | O-Ring |
| 13 | 120-5659 | 1 | Float | 26 | 120-5672 | 1 | Jet-Pilot (53.8) |



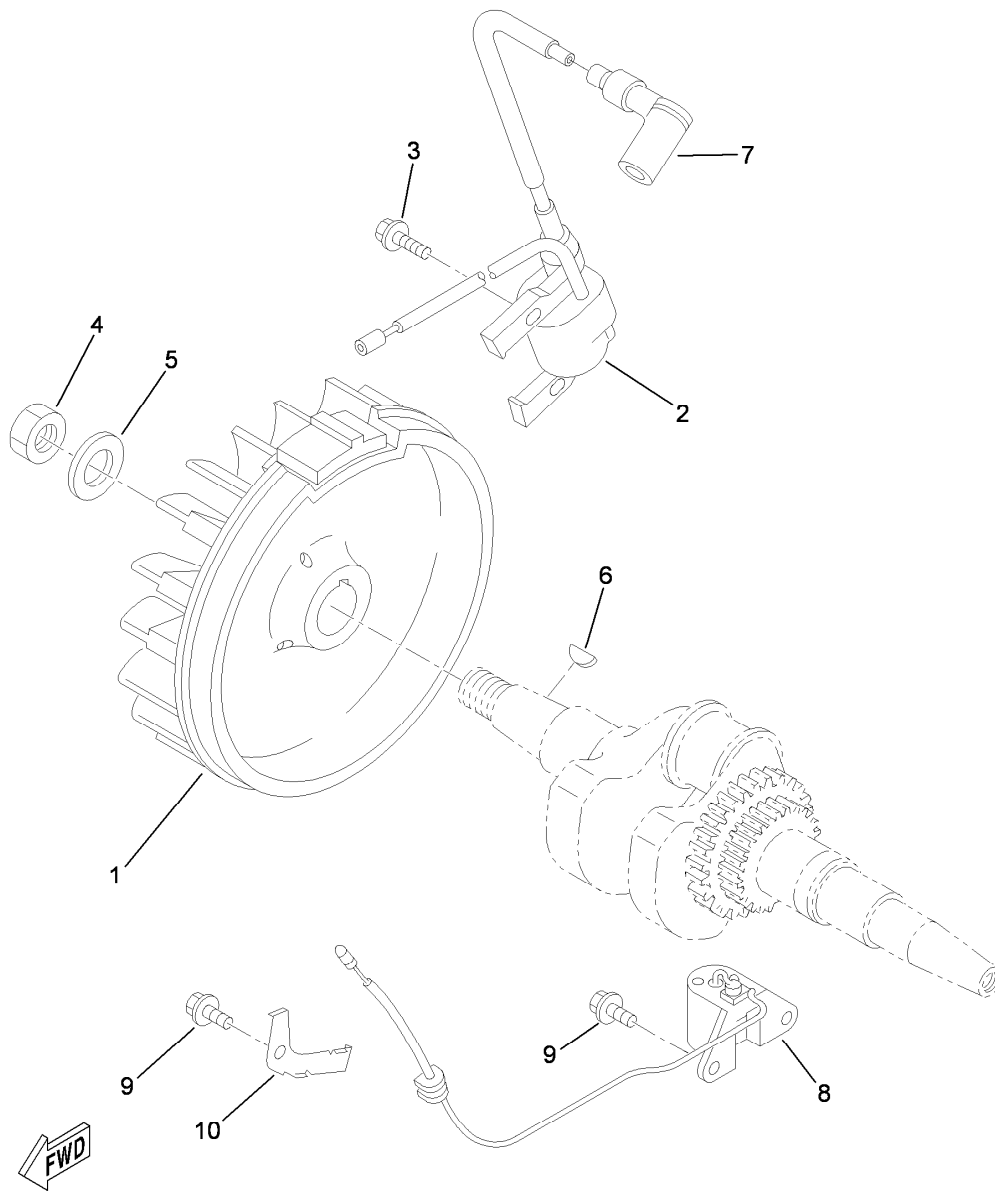
Crankcase Assembly

| <i>Ref.</i> | <i>Part Number</i> | <i>Qty.</i> | <i>Description</i> | <i>Ref.</i> | <i>Part Number</i> | <i>Qty.</i> | <i>Description</i> |
|-------------|--------------------|-------------|----------------------|-------------|--------------------|-------------|-------------------------|
| 1 | 120-5673 | 1 | Crankcase | 11 | 120-5677 | 1 | Shaft-Flyweight |
| 2 | 120-5674 | 1 | Bearing | 12 | 120-5686 | 1 | Gasket-Cover, Crankcase |
| 3 | 120-5675 | 1 | Seal-Oil | 13 | 120-5687 | 6 | Bolt-Flange |
| 4 | 120-5676 | 2 | Bearing | 14 | 120-5688 | 1 | Plug-Oil |
| 5 | 120-5678 | 2 | Plug-Screw, Straight | 15 | 120-5689 | 1 | Pipe-Oil |
| 6 | 120-5679 | 2 | Gasket | 16 | 120-5690 | 1 | Gauge-Level |
| 7 | 120-5680 | 2 | Pin-Dowel | 17 | 120-5691 | 1 | O-Ring |
| 8 | 120-5681 | 1 | Cover-Crankcase | 18 | 120-5692 | 1 | O-Ring |
| 9 | 120-5682 | 1 | Bearing | 19 | 120-5693 | 1 | Plate-Baffle |
| 10 | 120-5675 | 1 | Seal-Oil | 20 | 120-5694 | 2 | Bolt-Flange |
| 11 | 120-5676 | 1 | Bearing | 21 | 120-5677 | 1 | Shaft-Flyweight |



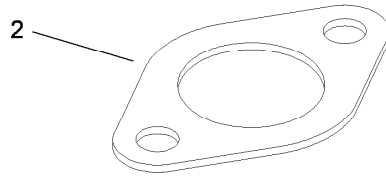
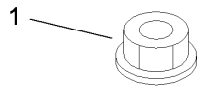
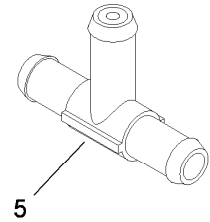
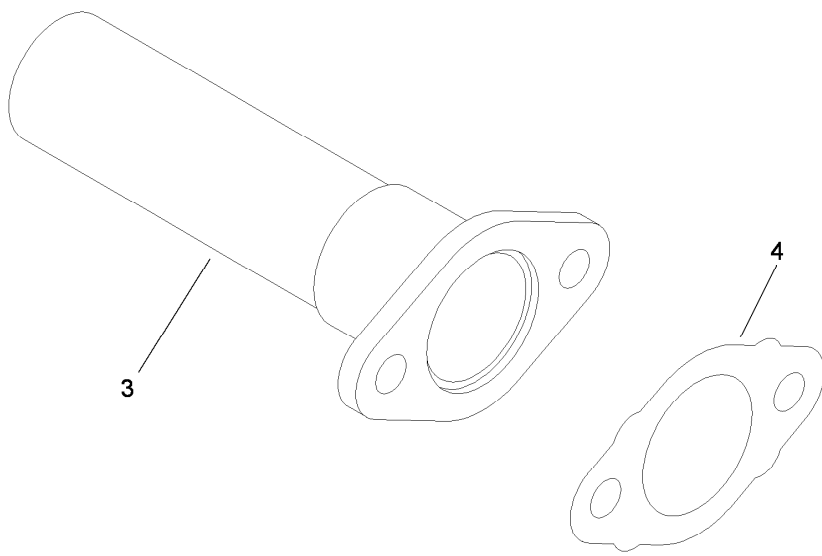
Fuel Pump Assembly

| Ref. | Part Number | Qty. | Description |
|------|-------------|------|--------------------|
| 1 | 120-5695 | 2 | Bolt-Flange |
| 2 | 120-5696 | 1 | Filter ASM |
| 3 | 120-5697 | 1 | Fuel Pump ASM |
| 4 | 120-5698 | 2 | Gasket |
| 5 | 120-5699 | 1 | Bracket-Pump, Fuel |
| 6 | 120-5700 | 2 | Bolt |
| 7 | 120-5701 | 2 | Washer-Plate |
| 8 | 120-5702 | 1 | Pipe-Fuel |
| 9 | 120-5703 | 3 | Clip |
| 10 | 120-5704 | 1 | Pipe-Breather |
| 11 | 120-5705 | 3 | Clip |
| 12 | 120-5706 | 1 | Hose |



Magneto Assembly

| Ref. | Part Number | Qty. | Description |
|------|-------------|------|---------------------|
| 1 | 120-5707 | 1 | Rotor ASM |
| 2 | 120-5708 | 1 | T.C.I. Unit ASM |
| 3 | 120-5709 | 2 | Bolt-Flange |
| 4 | 120-5710 | 1 | Nut |
| 5 | 120-5711 | 1 | Washer-Plate |
| 6 | 120-5712 | 1 | Key-Woodruff |
| 7 | 120-5713 | 1 | Plug Cap ASM |
| 8 | 120-5714 | 1 | Oil Level Gauge ASM |
| 9 | 120-5715 | 3 | Bolt-Flange |
| 10 | 120-5716 | 1 | Clamp |



Engine Gaskets and Fittings

| <i>Ref.</i> | <i>Part Number</i> | <i>Qty.</i> | <i>Description</i> |
|-------------|--------------------|-------------|---------------------------------|
| 1 | 119-9540 | 2 | Nut-Hex, M8 (F/W) |
| 2 | 119-9541 | 2 | Gasket-Exhaust (F/W) |
| 3 | 119-9542 | 1 | Tube-Intake (F/W) |
| 4 | 119-9543 | 1 | Gasket-Intake (F/W) |
| 5 | 119-9544 | 1 | Tee-Emission, Evaporative (F/W) |

Attachments and Accessories

For 07279 Workman MD Utility Vehicle

| Product Name | Model/Part |
|---|-------------------|
| Roll-Over Protection System | 07276 |
| Receiver Hitch Kit | 07278 |
| Canopy Kit | 07324 |
| Solid Windshield Kit | 07325 |
| Folding Windshield Kit | 07326 |
| Snow Plow | 07327 |
| Hard Cab | 07328 |
| Heavy-Duty Bumper Kit | 07329 |
| Heavy-Duty Brush Guard and Bumper Kit | 07338 |
| Sliding Window Door Kit | 07352 |
| Fixed Window Door Kit | 07353 |
| Electric Bed Lift Kit, 2011 and After Workman MD/MDX Utility Vehicle | 07381 |
| Wheel-5 Bolt | 104-6889 |
| Tire-AT 489, 24x10.5-10 | 104-7061 |
| Tire-AT 489, 22x9.5-10 | 104-7062 |
| Lift Wire Harness Kit | 115-7823 |
| Backup Alarm Kit | 115-7824 |
| Horn Kit..... | 115-7825 |
| Replacement Front Spring Kit..... | 117-4847 |
| Tire And Wheel Asm | 119-0751 |
| Side Mirror Kit..... | 119-9546 |
| Lanyard Kit, 2011 and After Workman MD Series Utility Vehicle..... | 119-9590 |
| Brake and Signal Light Kit, 2011 and After Workman MD Series Utility Vehicle..... | 119-9603 |
| Stake Pocket Adapter Kit, 2011 and After Workman MD Series Utility Vehicle..... | 119-9604 |
| Tie-Down Kit, 2011 and After Workman MD Series Utility Vehicle | 119-9605 |
| Bed Retrofit Kit, 2010 and Before Workman MD Series Utility Vehicle..... | 119-9606 |
| Battery Kit, Workman MD/MDX Utility Vehicle..... | 119-9680 |
| Spark Arrestor Screen | 94-8157 |

Notes:



Count on it.