



Count on it.

Parts Catalog

Workman® MDE Utility Vehicle

Model No. 07299TC—Serial No. 311000501 and Up

Ordering Replacement Parts

To order replacement parts, please supply the part number, the quantity, and the description of each part desired.

Understanding Reference Numbers

Each identified part in an illustration has a reference number. The reference number for a part also appears in the parts list, along with other information about the part.

This catalog uses two special reference number formats, one to indicate parts in a service assembly and another to indicate the quantity of a given part in an illustration.

Service Assembly Reference Numbers

Parts in service assemblies have reference numbers in the form a:b. The a represents the reference number of the entire service assembly and the b represents a sequential number unique to each part within the service assembly.

For example, a wheel assembly might be identified by reference number 6, the tire by 6:1, the valve by 6:2, and the wheel by 6:3. When you order the assembly identified by reference number 6, you receive all parts identified by reference numbers 6:1, 6:2, and 6:3. However, you may also order any part individually. Reference numbers of this type appear in illustration and in parts lists.

Reference Numbers Indicating Quantity

In an illustration, if a reference number indicates more than one part, the reference number has the form nX y. The n represents the quantity of the part, the X is the multiplication symbol, and the y represents the reference number.

For example, in an illustration, the reference number 2X 37 means that two of the parts identified by reference number 37 are indicated.

List of Abbreviations

AR: as required

ASM: assembly

BBC: blade brake control

BHTF: button head thread forming

CARR: carriage

CCW: counter clockwise

CW: clockwise

DEG: degrees

DPA: Dual Point Adjustment

ECM: electronic control module

EXT: external

FH: flat head

GA: gauge

HD: heavy-duty

HF: hex flange

HH: hex head

HHF: hex head flange

HHFTF: hex head flange thread forming

HJ: hex jam

HLH: hex lag head

HOC: height-of-cut

HSBH: hex socket button head

HSFH: hex socket flat head

HSH: hex socket head

HWH: hex washer head

HWTF: hex washer head thread forming

HYD: hydraulic

LH: left hand

LP: Liquid Propane

NI: nylon insert

NPTF: national pipe thread fine

PFH: phillips flat head

PPH: phillips pan head

PPHTF: phillips pan head thread forming

PRH: phillips round head

PTH: phillips truss head

PTO: power-take-off

RH: right hand

ROPS: roll-over protection system

RRB: rear roller brush

SFH: slotted fillister head

SHH: slotted hex head

SHWH: slotted hex washer head

SPH: slotted pan head

SQH: square head

SRH: slotted round head

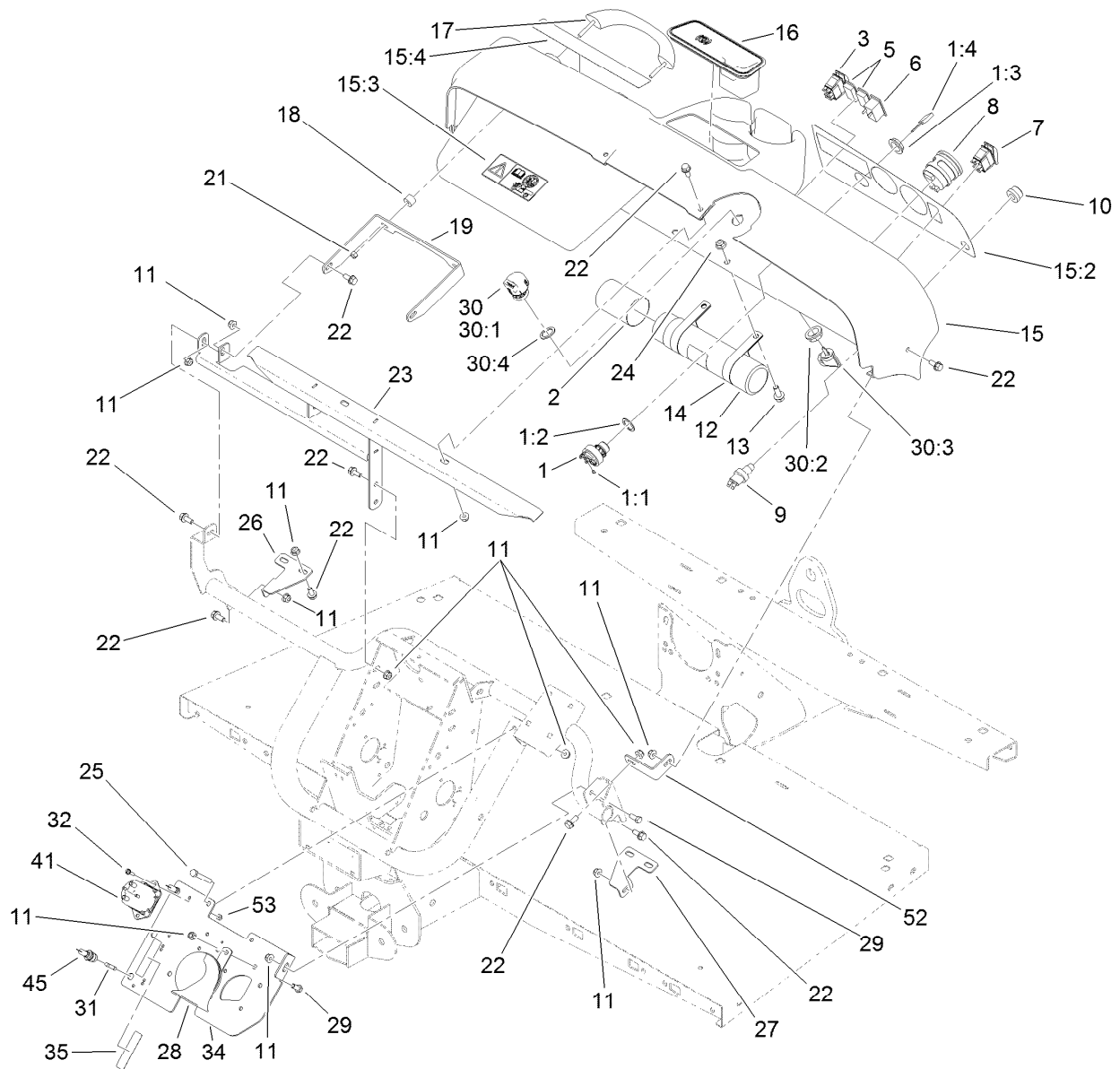
STD: standard

TAP: self tapping

TTH: torx truss head

Contents

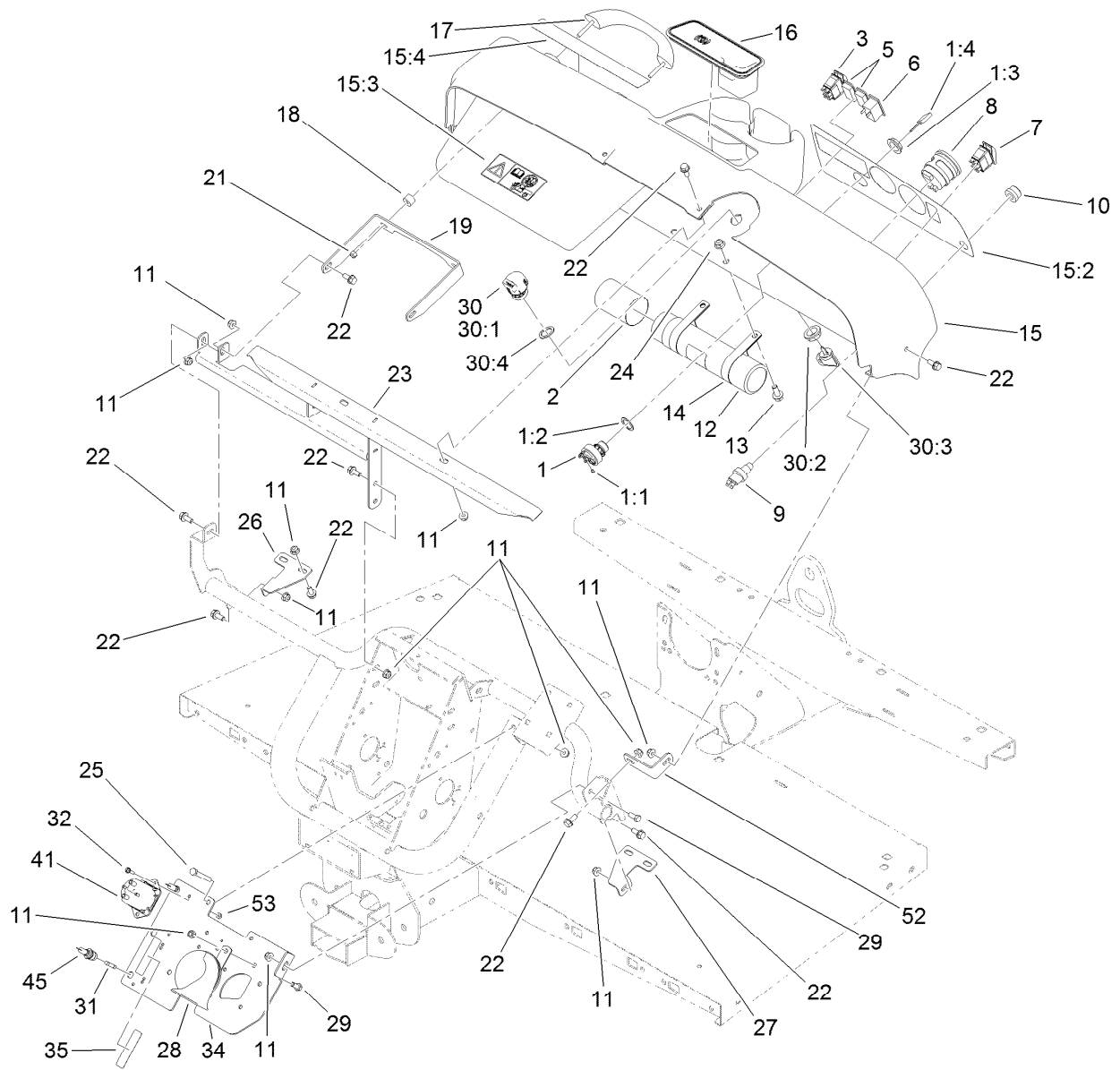
Dash Assembly	4
Solenoid Assembly No. 104-7135	6
Pedal Box Assembly	7
Master Cylinder and Brake Line Assembly	8
Master Cylinder Assembly No. 104-6782	9
Frame Assembly	10
Seat Base Assembly	11
Offboard 48 Volt Charger Assembly No. 112-2914	12
Front Tire, Spindle and Tie Rod Assembly	13
Brake Caliper Assembly No. 119-9535	15
Controller Assembly	16
Battery and Transaxle Assembly	17
Electric Motor Assembly No. 104-7335	18
Electric Transaxle Assembly No. 114-8330	19
LH Rear Brake Assembly No. 114-8332	21
RH Rear Brake Assembly No. 114-8331	22
Upper Steering Assembly	23
Steering Box Assembly No. 112-3130	24
Cargo Bed and Tailgate Installation Assembly	25
Cargo Bed Service Assembly No. 119-9710	26
Cargo Bed and Tailgate Assembly	27
Hood and Fender Assembly	28
Attachments and Accessories	29



Dash Assembly

Ref.	Part Number	Qty.	Description	Ref.	Part Number	Qty.	Description
1	107-0348	1	Switch-Key, 48V	15:2	112-3310	1	Decal-Dash, Ce
1:1	3250-28	3	Screw	15:3	104-7215	1	Decal-Danger
1:2	108-8659	1	Washer-Backup	15:4	115-2412	1	Decal-No Storage
1:3	108-8660	1	Nut-Mounting	16	104-6930	1	Plug-Rubber
1:4	108-6994	1	Key-Ignition	17	112-3320	1	Handle-Grip
2	104-7048	1	Cap-Housing	18	114-8301	2	Spacer
3	107-0255	1	Switch	19	112-3391-03	1	Bracket-Grip, Handle
5	99-7420	2	Plug-Hole	21	104-7201	2	Nut-HF
6	104-7129	1	Light-Indicator	22	110-5053	15	Screw-Flange
7	107-0747	1	Switch-Rocker	23	115-7651-03	1	Dash Support ASM
8	107-0260	1	Guage-Hour/Battery Level, 48 Volt	24	104-8301	2	Nut-Flange, NI
9	112-3324	1	Switch-Horn	25	322-11	2	Screw-HH
10	112-3313	1	Cap And Nut ASM	26	114-8304	1	Bracket-Dash Mount, RH
11	104-8300	19	Nut-Flange, NI	27	114-8312	1	Bracket-Dash Mount, LH
12	104-7050	1	Tube-Manual	28	107-0358	1	Horn
13	3234-11	2	Screw-HHF	29	322-3	2	Screw-HH
14	2412-133	2	R-Clamp	30	110-2580	1	Switch-Key, Supervisor
15	114-8311	1	Dash ASM	30:1		1	Switch-Key ●
				30:2	108-8660	1	Nut-Mounting

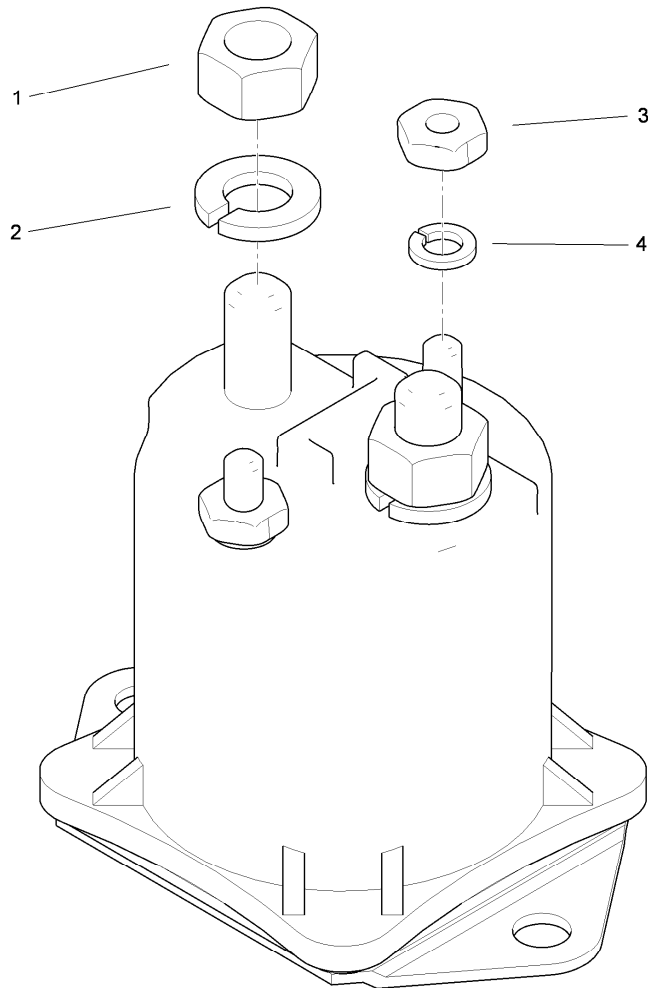
● Not serviced separately



Dash Assembly (continued)

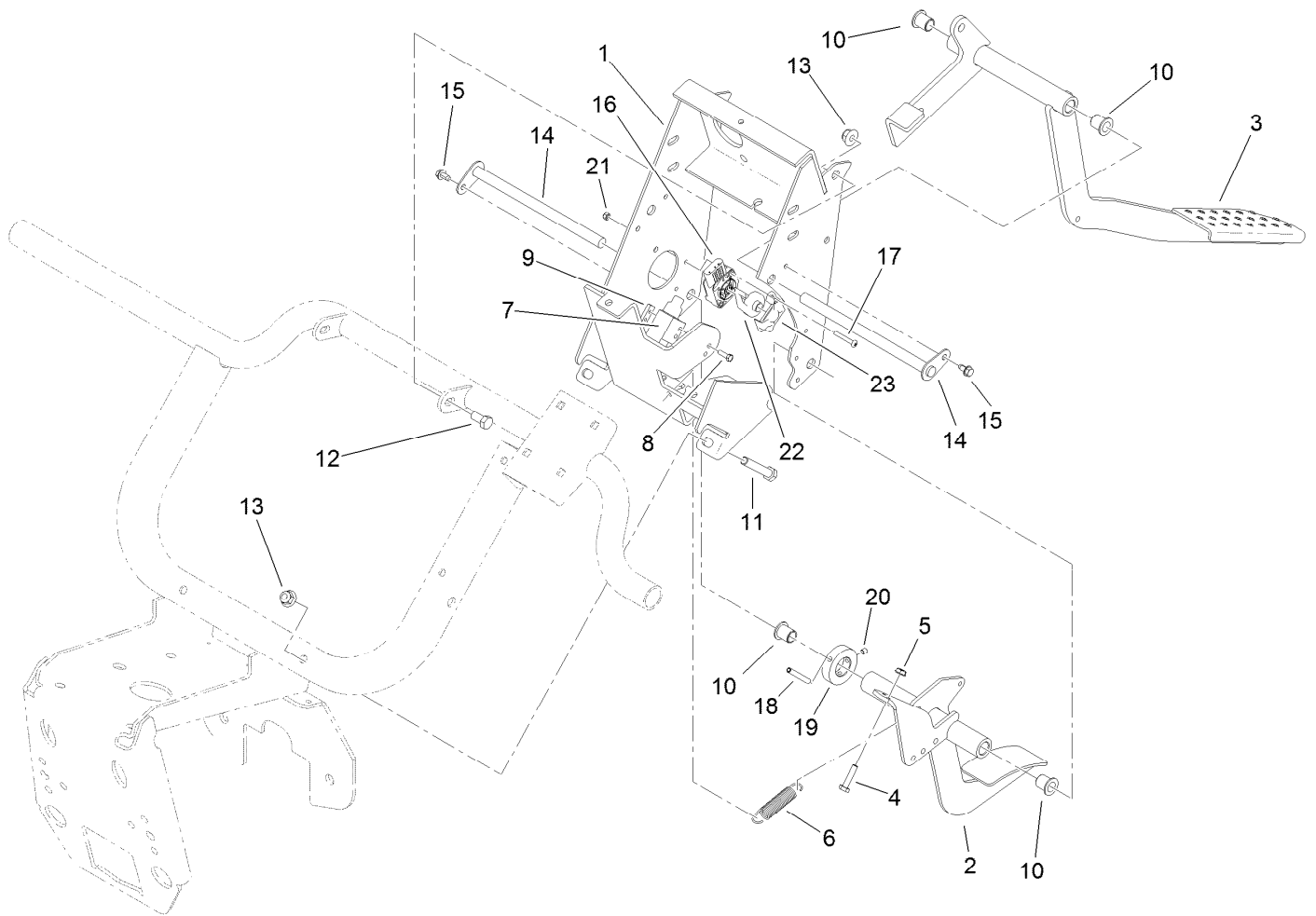
<i>Ref.</i>	<i>Part Number</i>	<i>Qty.</i>	<i>Description</i>	<i>Ref.</i>	<i>Part Number</i>	<i>Qty.</i>	<i>Description</i>
30:3	110-5221	1	Set-Key, Supervisor	35	115-7621	1	Decal-Electrical
30:4	108-8659	1	Washer-Backup	41	104-7135	1	Solenoid
31	98-8876	2	Fuse-10 Amp	45	218-489	2	Holder-Fuse
32	32105-13	2	Screw-HWH	52	114-8305	1	Angle-Mount, Dash (LH)
34	112-3376-03	1	Plate-Mount, Electrical	53	3296-2	2	Nut-Lock, NI

● Not serviced separately



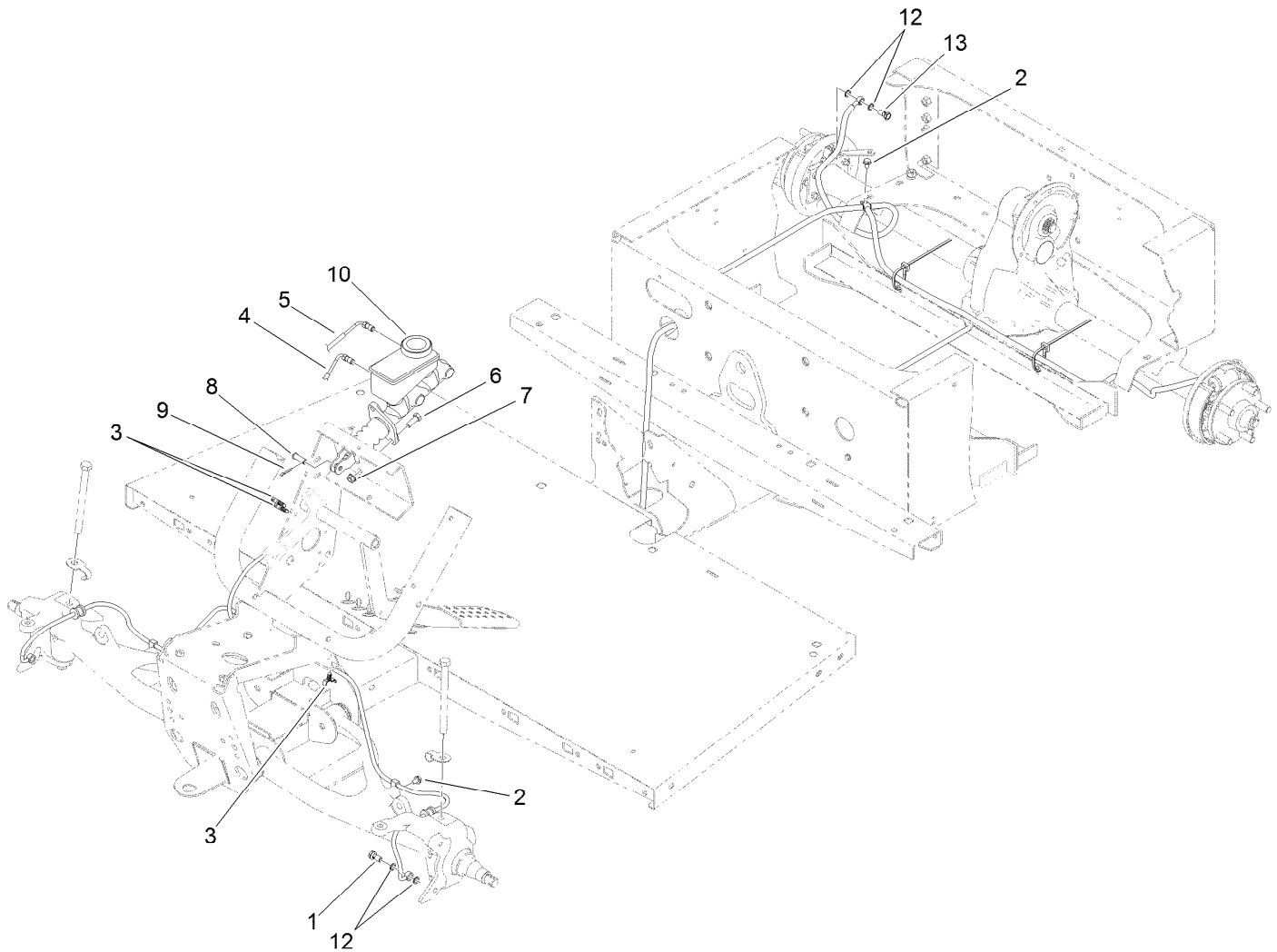
Solenoid Assembly No. 104-7135

<i>Ref.</i>	<i>Part Number</i>	<i>Qty.</i>	<i>Description</i>
1	3217-6	2	Nut-Hex
2	3253-4	2	Washer-Lock
3	3219-14	2	Nut-Hex
4	3253-17	2	Washer-Lock



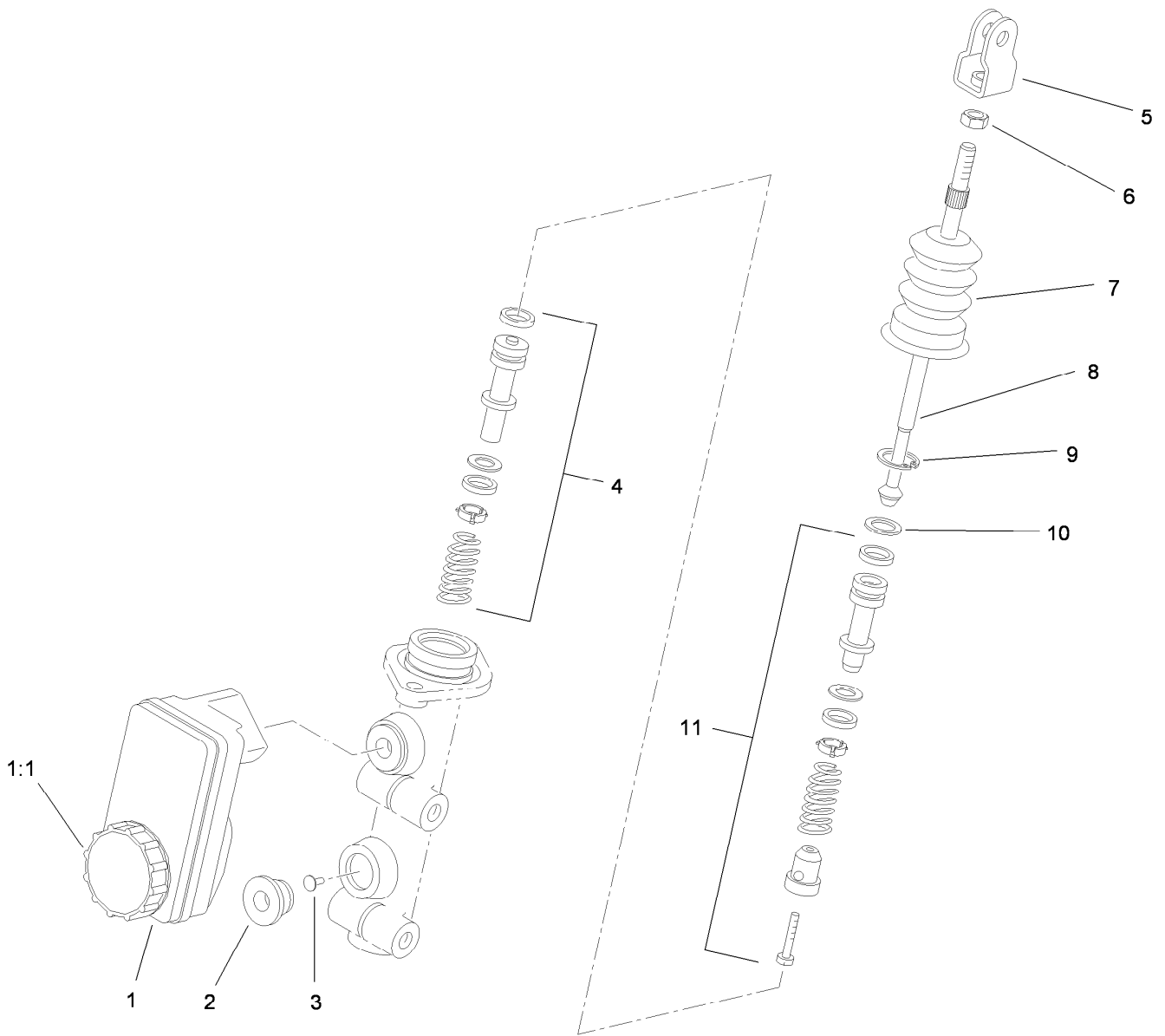
Pedal Box Assembly

<i>Ref.</i>	<i>Part Number</i>	<i>Qty.</i>	<i>Description</i>	<i>Ref.</i>	<i>Part Number</i>	<i>Qty.</i>	<i>Description</i>
1	119-0748-03	1	Pedal Support Frame ASM	13	104-8301	4	Nut-Flange, NI
2	115-7630-03	1	Throttle Pedal ASM	14	104-7164	2	Pivot-Pedal
3	112-3314-03	1	Brake Pedal ASM	15	12-3270	2	Screw
4	321-7	2	Screw-HH	16	119-0737	1	Sensor-Position, 5K Ohm
5	32149-2	2	Nut-Keps	17	104-1452	2	Screw-PPH
6	104-6415	1	Spring-Return, Pedal	18	117-5071	1	Pin-Roll
7	99-7407	1	Switch	19	104-7301	1	Collar
8	3290-134	2	Screw	20	3245-32	2	Screw-HSH
9	1-633181	1	Plate-Tapped	21	3296-1	2	Nut-Lock
10	256-155	4	Bushing-Flange	22	117-5059	1	Pivot-Sensor, Speed
11	323-11	2	Screw-HH	23	117-5061	1	Retainer
12	323-4	2	Screw-HH				



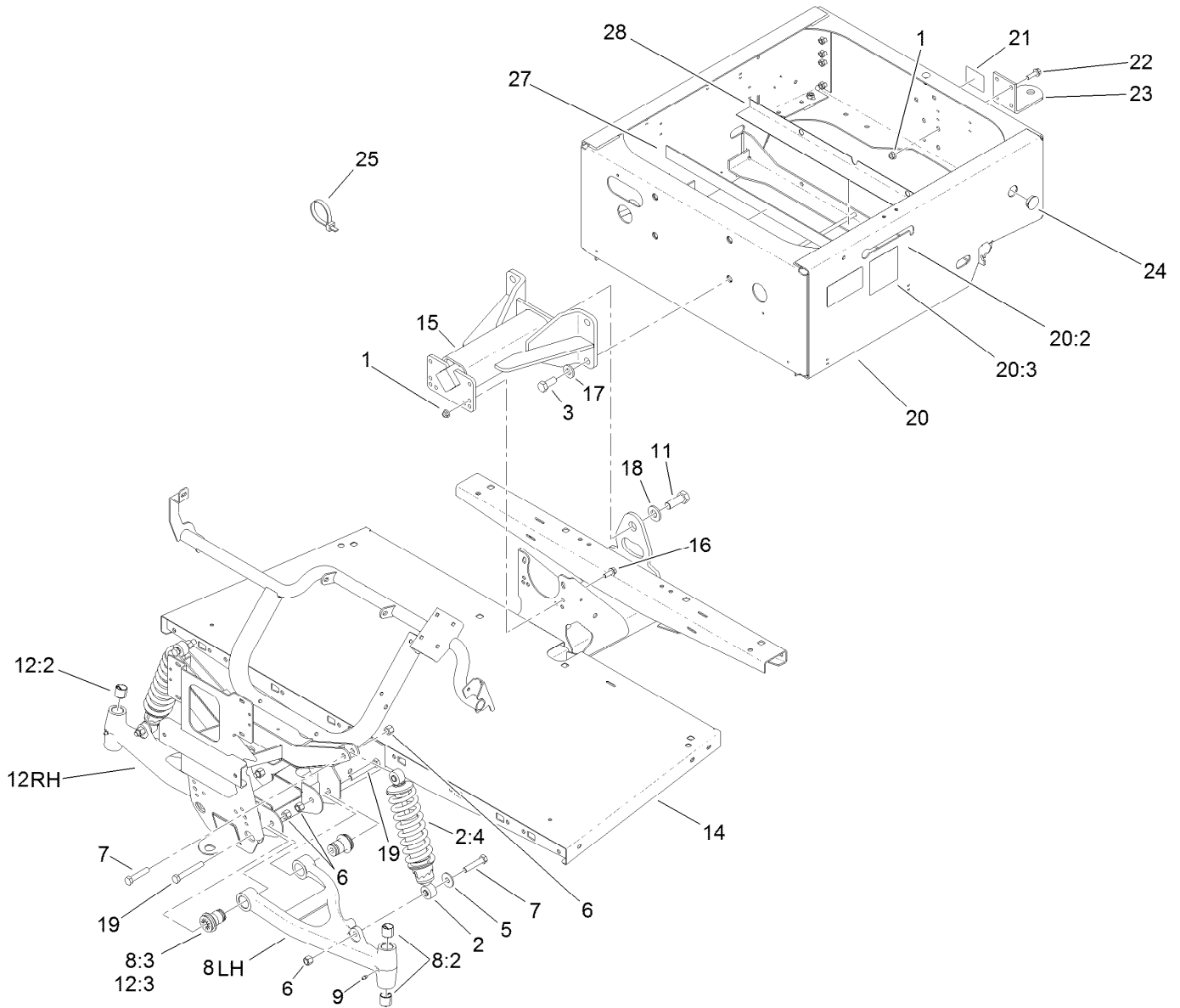
Master Cylinder and Brake Line Assembly

Ref.	Part Number	Qty.	Description
1	120-4875	2	Bolt-Flange, Banjo
2	32104-82	3	Screw-HHF
3	114-8324	4	Clip-Line, Brake
4	119-9683	1	Front Brake Line
5	115-2409	1	Rear Brake Line ASM
6	323-6	2	Screw-HH
7	3290-357	2	Nut-HHF, Whiz
8	283-2	1	Pin-Clevis
9	3272-10	1	Pin-Cotter
10	104-6782	1	Cylinder-Master
12	115-2341	8	Washer-Banjo
13	115-2340	2	Bolt-Banjo



Master Cylinder Assembly No. 104-6782

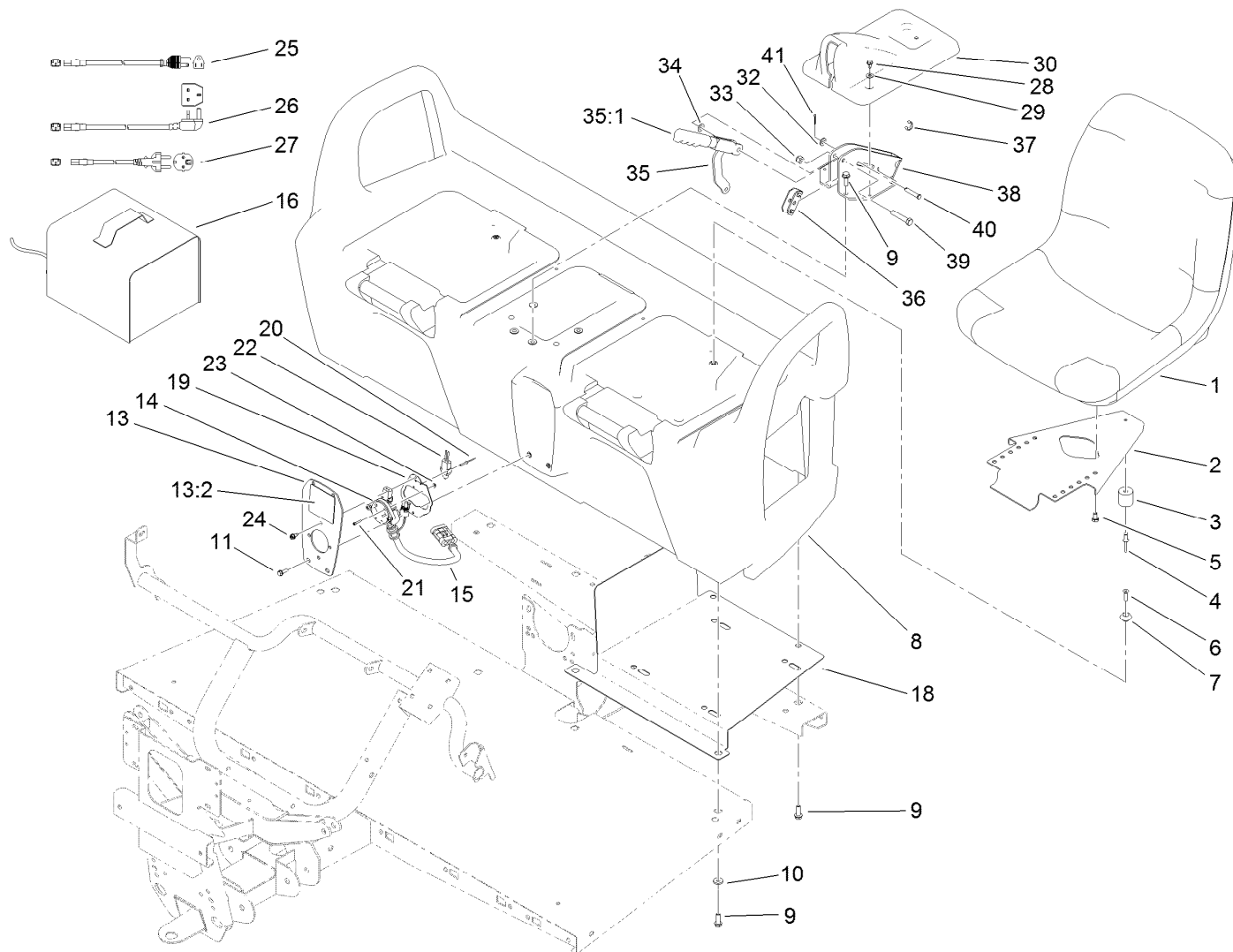
Ref.	Part Number	Qty.	Description
1	104-6845	1	Reservoir ASM
1:1	92-4112	1	Cap ASM
2	93-8971	2	Seal-Port, Flange
3	92-4103	1	Pin-Stop
4	92-4102	1	Secondary Piston ASM
5	92-4110	1	Clevis
6	21-0360	1	Nut-Hex
7	94-5209	1	Cover-Dust
8	94-5210	1	Rod-Push
9	92-4109	1	Ring-Snap
10	92-4108	1	Retainer-Washer
11	92-4101	1	Primary Piston ASM



Frame Assembly

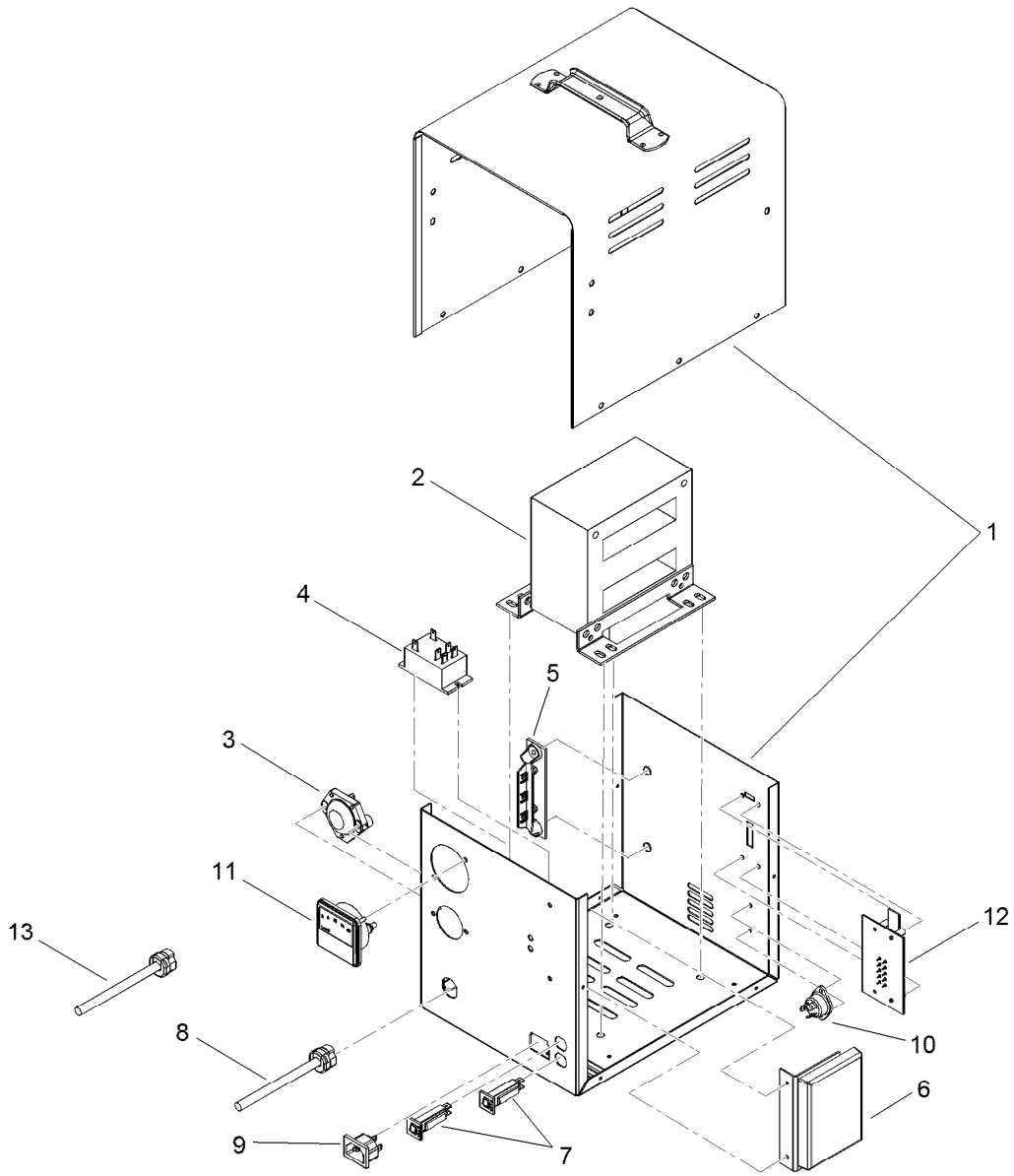
Ref.	Part Number	Qty.	Description
1	104-8301	8	Nut-Flange, NI
2	112-2975	2	Shock/Spring ASM
2:4	112-3383	1	Spring
3	327-4	4	Screw-HH
5	51-3500	2	Washer
6	3296-23	8	Nut-Lock, NI
7	325-10	4	Screw-HH
8	114-8313	1	LH A-Arm ASM
8:2	3-0348	2	Bushing
8:3	87-1450	2	Bushing-Flange
9	302-5	2	Fitting-Grease
11	328-24	1	Screw-HH
12	114-8314	1	RH A-Arm ASM
12:2	3-0348	2	Bushing
12:3	87-1450	2	Bushing-Flange
14	112-3340-03	1	Front Frame ASM

Ref.	Part Number	Qty.	Description
15	99-7700	1	Pivot Yoke ASM
16	3234-11	4	Screw-HHF
17	99-7667	4	Washer-Flat
18	87-3060	1	Washer-Hardened
19	325-14	4	Screw-HH
20	119-9631	1	Rear Frame ASM
20:2	104-7207	2	Decal-Electric
20:3	107-0257	1	Decal-Polarity
21	99-7350	1	Decal-Rating, Hitch (Light Duty)
22	3234-24	4	Screw-HHF
23	99-7654-03	1	Hitch-Duty, Light
24	94-1402	1	Plug-Hole
25	3290-379	15	Tie-Cable
27	107-0252	1	Pad-Battery
28	107-0267	4	Isolator-Battery



Seat Base Assembly

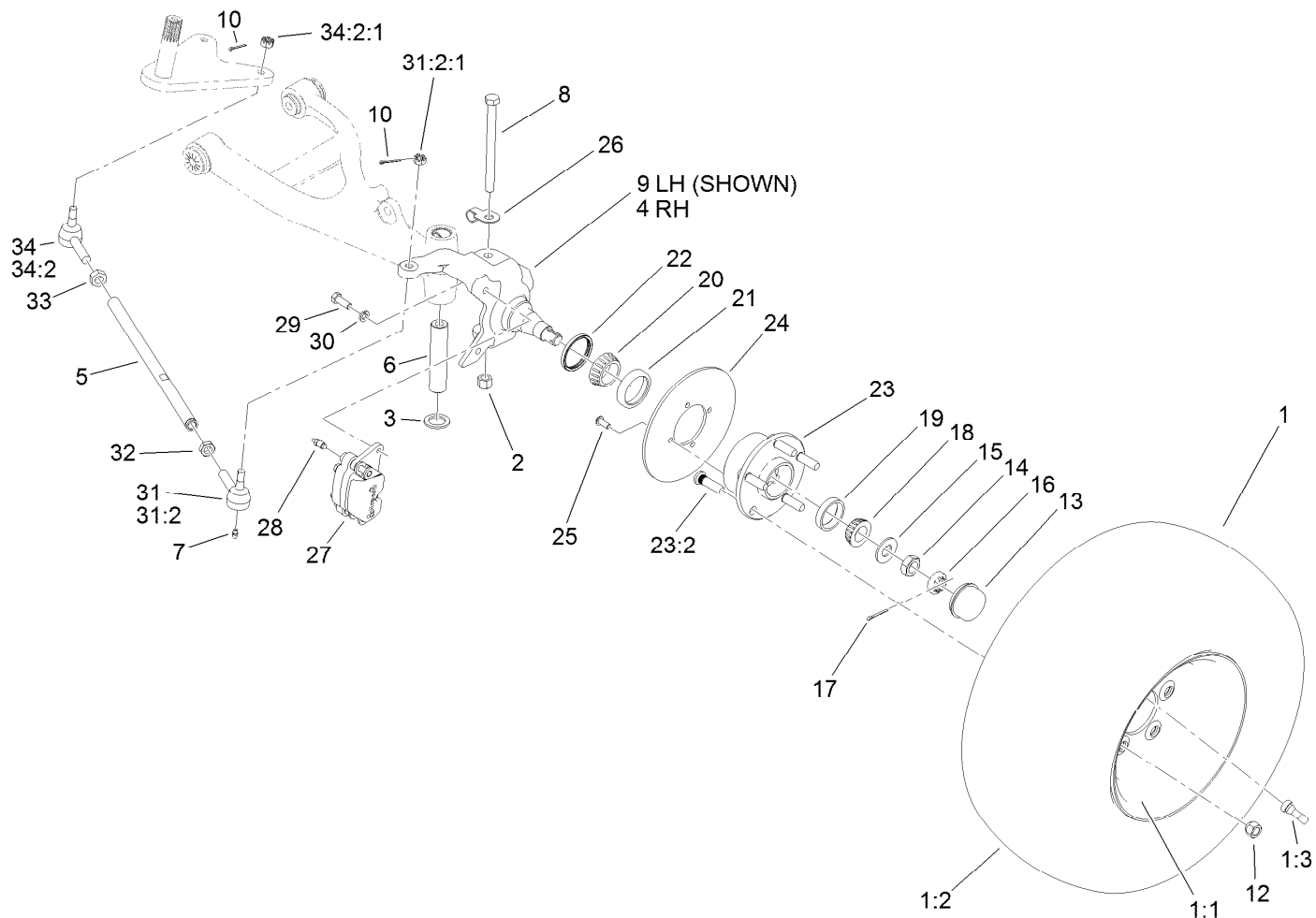
Ref.	Part Number	Qty.	Description	Ref.	Part Number	Qty.	Description
1	112-2923	2	Seat ASM	22	99-3410	1	Switch
2	99-7829	2	Bracket-Seat	23	3296-9	2	Nut-Lock
3	99-7830	2	Rubber Receptical ASM	24	32104-17	4	Screw-HWH
4	3290-412	2	Rivet	25	107-0384	1	Powercord-Ac, Canada
5	33114-016	8	Screw-HH	26	107-0383	1	Powercord-Ac, U.K.
6	32108-5	2	Screw-FH	27	107-0382	1	Powercord-Ac, Europe
7	99-7833	2	Post-Holding	28	12-3270	2	Screw
8	104-6847	1	Seat Base ASM	29	3256-1	2	Washer-Flat
9	3234-17	12	Screw-HHF	30	104-7014	1	Cover-Brake, Parking
10	88-7200	8	Washer-Flat	32	3256-23	1	Washer-Flat
11	32105-15	4	Screw	33	3296-39	1	Nut-Lock, NI
13	107-0370	1	Plate-Receptacle	34	3290-477	1	Washer-Curved
13:2	107-0295	1	Decal-Charger	35	104-6842	1	Lever-Brake, Park
14	107-0288	1	Receptacle-Charger	35:1	106-7972	1	Grip-Handle
15	115-1913	1	Harness-Wire, Charger	36	87-3480	1	Bracket-Equalizer, Cable
16	112-2914	1	Charger-48V, Offboard	37	32120-47	2	Ring-Retaining, External
18	107-0359-03	1	Tray-Seatbase	38	104-6844-03	1	Support-Brake, Park
19	107-0716	1	Bracket-Mount, Socket	39	323-10	1	Screw-HH
20	107-0333	2	Rivet-Pop	40	94-3829	1	Pin-Clevis
21	107-0334	2	Screw-HSH	41	3272-6	1	Pin-Cotter



Offboard 48 Volt Charger Assembly No. 112-2914

Ref.	Part Number	Qty.	Description
1		1	Case ASM ●
2		1	Transformer ASM ●
3	108-1161	1	Fuse ASM
4	108-1170	1	Relay, 48V Dc
5	108-1163	1	Diode ASM
6	112-2913	1	Control Board ASM
7	110-2577	2	Breaker-Circuit
8	108-1173	1	Kit-Cordset
9	108-1174	1	Connector-Inlet
10	108-1168	1	Terminal And Screw ASM
11	108-1175	1	Ammeter
12	110-2578	1	Switch ASM
13	108-3071	1	Kit-Cordset, 20 Foot (Dc)

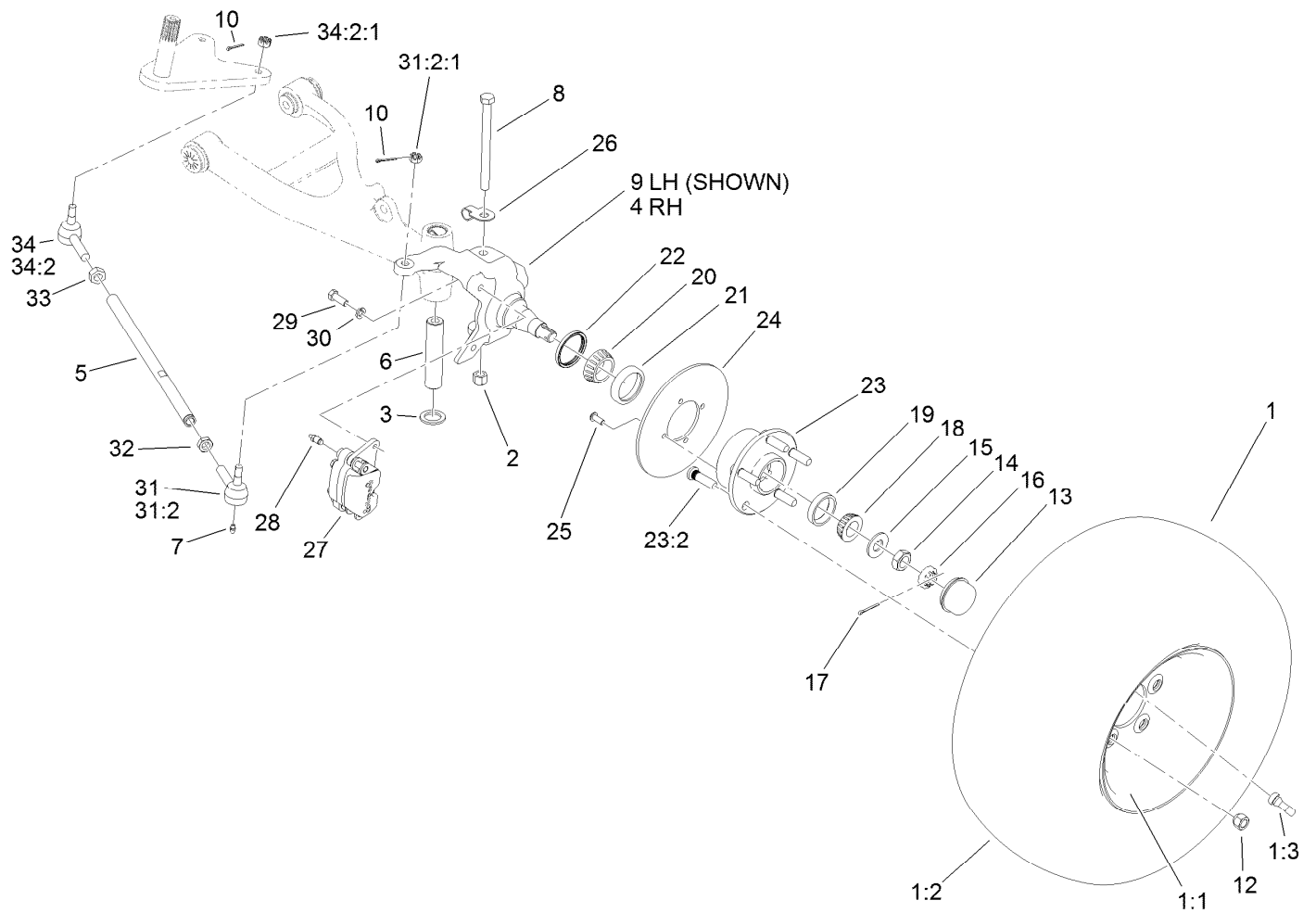
● Not serviced separately



Front Tire, Spindle and Tie Rod Assembly

Ref.	Part Number	Qty.	Description	Ref.	Part Number	Qty.	Description
1	104-7290	2	Tire And Wheel ASM	18	254-94	2	Bearing-Cone, Tapered
1:1	104-7288	1	Wheel	19	254-72	2	Bearing-Cup, Tapered
1:2	104-7289	1	Tire	20	254-106	2	Cone-Bearing, Tapered
1:3	232-27	1	Stem-Valve	21	254-107	2	Cup-Bearing, Tapered
2	3296-23	2	Nut-Lock, NI	22	108-7019	2	Seal-Shaft
3	256-115	2	Washer-Thrust	23	117-8071	2	Hub ASM
4	119-9522	1	Spindle-RH	23:2	10-6830	5	Stud-Type, Drive
5	115-7654	2	Tie Rod	24	119-9520	2	Rotor
6	99-7499	2	Sleeve-Kingpin	25	3274-55	8	Screw-HSBH
7	302-5	4	Fitting-Grease	26	112-3311	2	Clip-Hose
8	325-20	2	Screw-HH	27	119-9535	2	Brake Caliper ASM
9	119-9521	1	Spindle-LH	28	119-9509	2	Screw-Bleed
10	3272-7	4	Pin-Cotter	29	323-6	4	Screw-HH
12	242-50	10	Nut-Lug	30	3253-21	4	Washer-Lock
13	241-119	2	Cap-Dust	31	112771-03	2	LH Ball Joint ASM
14	3220-7	2	Nut-Jam	31:2		1	Joint-Ball, LH ●
15	93-0309	2	Washer-Tab	31:2:1	915031	1	Nut
16	93-0307	2	Nut-Lock, Retainer	32	3218-21	2	Nut-Jam
17	3272-12	2	Pin-Cotter	33	3220-11	2	Nut-Jam

● Not serviced separately

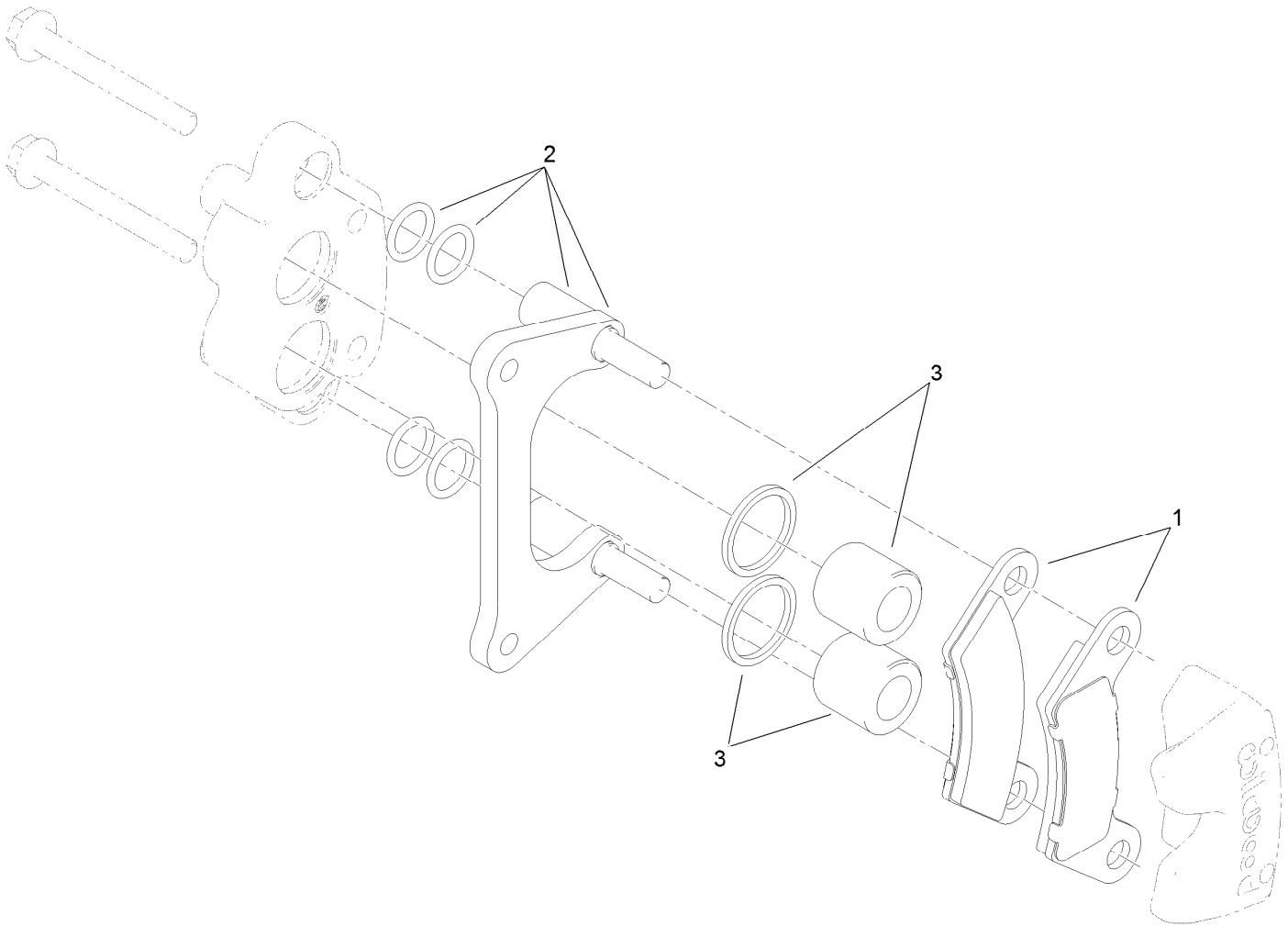


Front Tire, Spindle and Tie Rod Assembly (continued)

Ref.	Part Number	Qty.	Description
34	112772-03	2	RH Ball Joint ASM

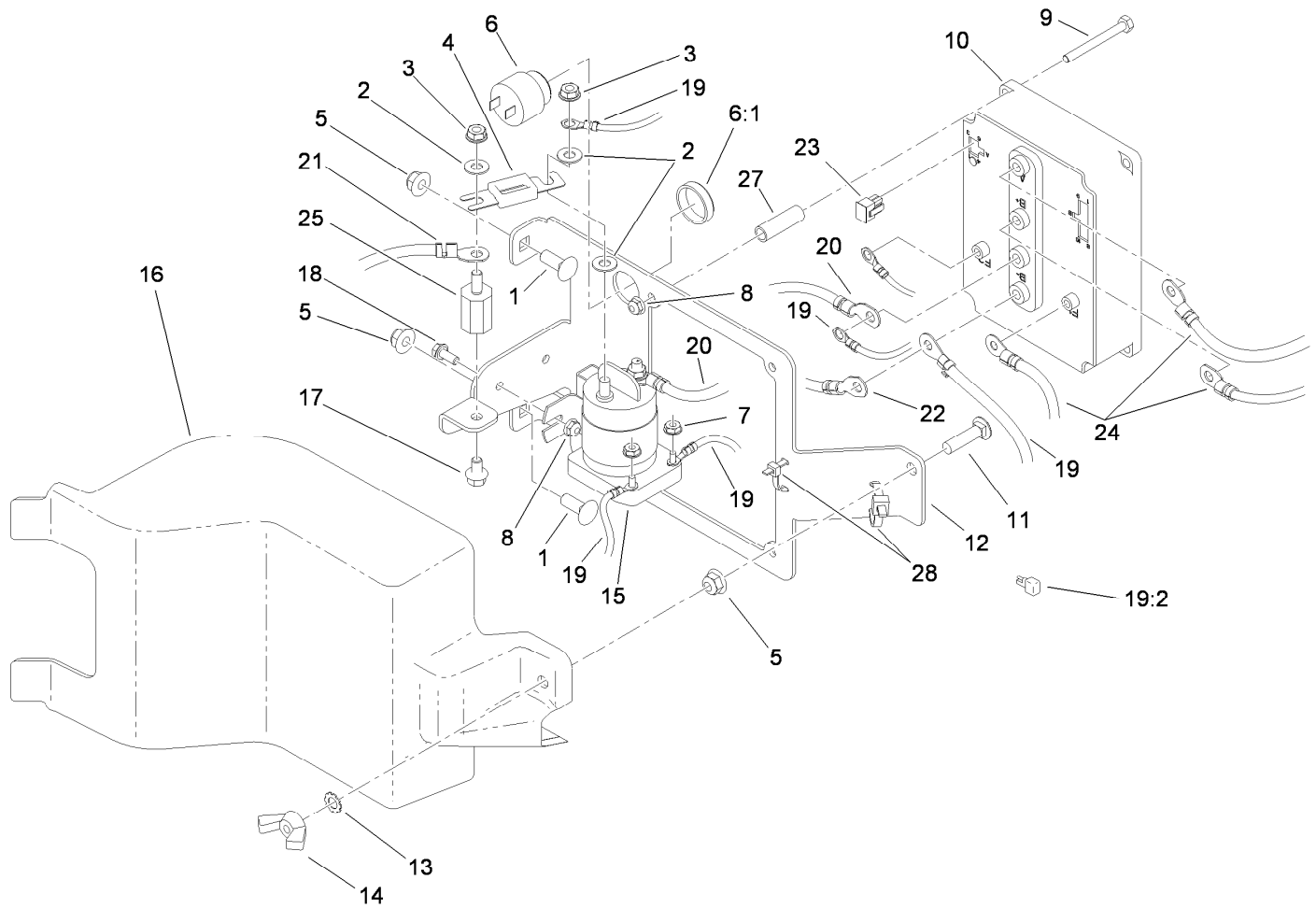
Ref.	Part Number	Qty.	Description
34:2		1	Joint-Ball, RH ●
34:2:1	915031	1	Nut

● Not serviced separately



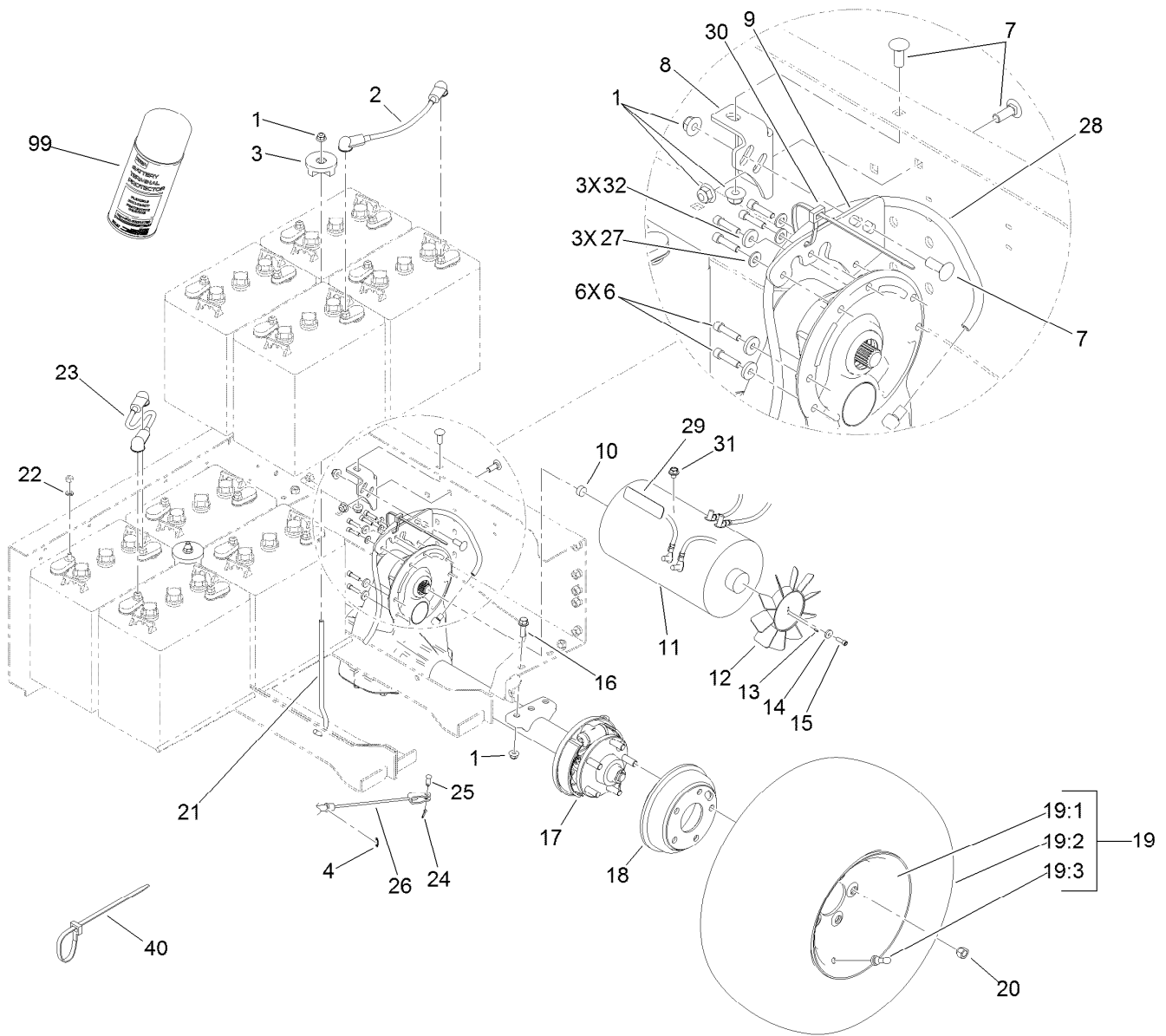
Brake Caliper Assembly No. 119-9535

<i>Ref.</i>	<i>Part Number</i>	<i>Qty.</i>	<i>Description</i>
1	119-9510	1	Brake Pad Kit
2	119-9511	1	Bracket Kit
3	119-9512	1	Piston Kit



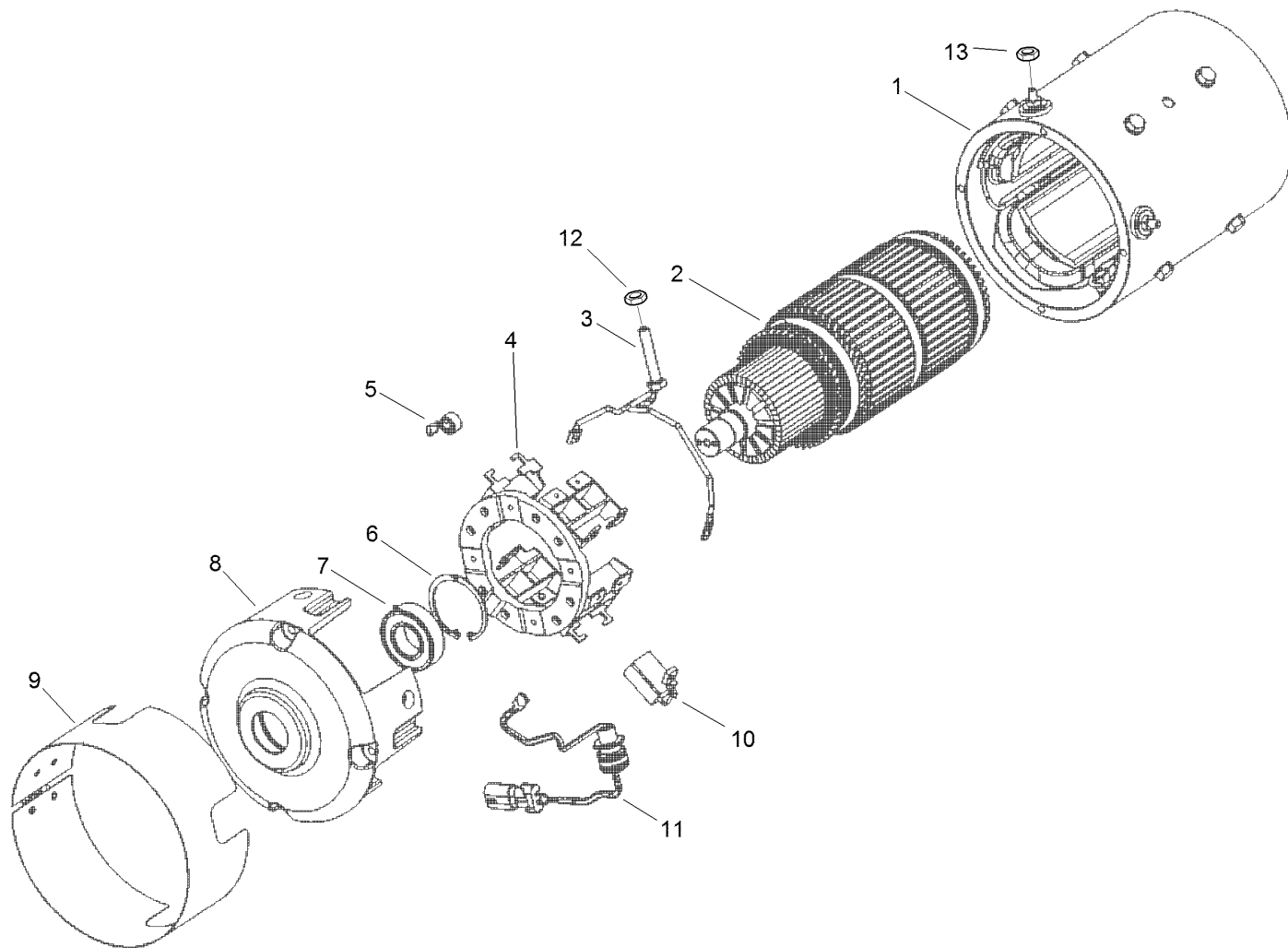
Controller Assembly

<i>Ref.</i>	<i>Part Number</i>	<i>Qty.</i>	<i>Description</i>	<i>Ref.</i>	<i>Part Number</i>	<i>Qty.</i>	<i>Description</i>
1	3231-22	2	Screw-CARR	16	104-7138	1	Cover-Controller
2	107-0394	3	Washer-Flat	17	100-1719	1	Screw-Flange
3	107-0380	3	Nut-HHF	18	3234-33	2	Screw-HHF
4	104-7320	1	Fuse	19	117-4700	1	Harness-Wire, Mid Duty Elect
5	104-8301	3	Nut-Flange, NI	19:2	100-4918	1	Diode
6	94-5582	1	Alarm-Audio	20	107-0740	1	Cable-Battery, Positive
6:1	104-5107	1	Nut-Plastic, Knurled	21	107-0741	1	Cable-Battery, Positive
7	32149-8	2	Nut-Keps	22	107-0742	1	Cable-Battery, Negative
8	104-7201	6	Nut-HF	23	32160-130	1	Connector
9	321-15	4	Screw-HH	24	107-0737	1	Harness-Wire, Battery Cable
10	110-2569	1	Controller-Sevcon	25	107-0286	1	Isolator
11	3231-4	1	Screw-CARR	27	107-0285	4	Spacer
12	104-7137-03	1	Mount-Controller	28	3290-379	2	Tie-Cable
13	3255-9	1	Washer-Lock				
14	32103-3	1	Nut-Wing				
15	104-7136	1	Contactora-48V				



Battery and Transaxle Assembly

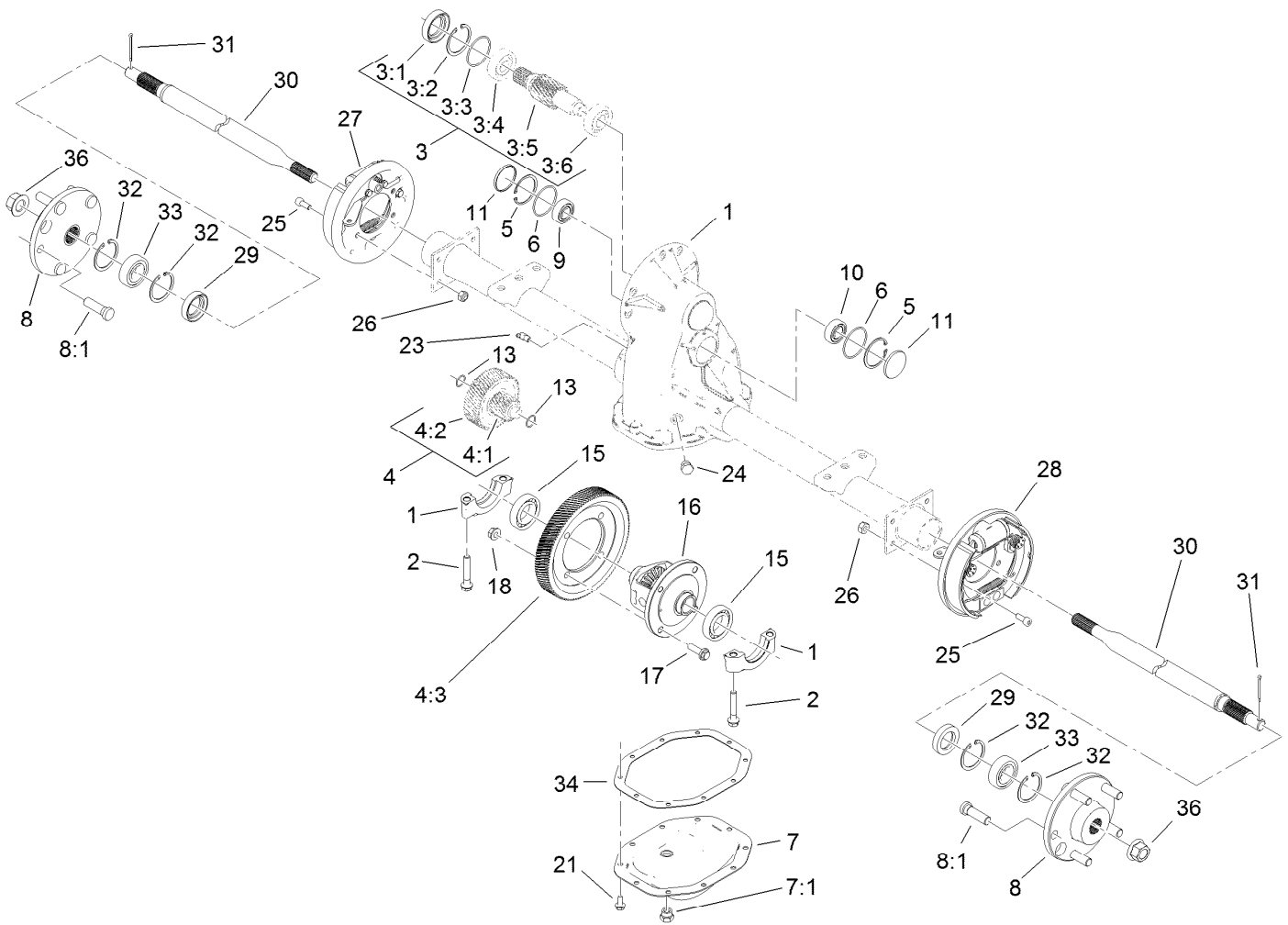
Ref.	Part Number	Qty.	Description	Ref.	Part Number	Qty.	Description
1	104-8301	11	Nut-Flange, NI	19:2	104-7289	1	Tire
2	107-0739	1	Cable-Battery, Positive	19:3	232-27	1	Stem-Valve
3	104-7149	2	Hold Down ASM	20	242-50	10	Nut-Lug
4	32120-47	2	Ring-Retaining, External	21	104-7339	2	Rod-Battery
6	3274-26	6	Screw-HSH	22	107-0280	16	Washer-Lock
7	3231-22	5	Screw-CARR	23	107-0738	6	Cable-Battery, Positive
8	104-7249-03	1	Bracket-Support	24	3272-10	2	Pin-Cotter
9	104-7305-03	1	Plate-Mount, Transaxle	25	283-62	2	Pin-Clevis
10	112-3399	1	Damper-Rubber	26	110-2647	2	Cable-Brake, Park
11	104-7335	1	Motor-Electric	27	3256-22	3	Washer-Flat
12	107-0259	1	Fan-10 Blade, Clockwise	28	110-1872	1	Hose-Fuel
13	32121-68	2	Pin-Roll	29	107-0356	1	Decal-Motor
14	73-3580	1	Washer	30	3290-379	12	Tie-Cable
15	3274-8	1	Screw-HSH	31	107-0376	1	Screw-HHF
16	3234-24	4	Screw-HHF	32	73-3580	3	Washer
17	114-8330	1	Transaxle-Electric	40	3290-378	2	Tie-Cable
18	104-6500	2	Drum-Brake	99	107-0392	1	Protection-Terminal, Aerosol
19	104-7290	2	Tire And Wheel ASM				
19:1	104-7288	1	Wheel				



Electric Motor Assembly No. 104-7335

<i>Ref.</i>	<i>Part Number</i>	<i>Qty.</i>	<i>Description</i>
1		1	Frame And Field ASM ●
2		1	Armature ASM ●
3	108-1151	2	Brush Lead ASM
4	108-1152	1	Brush Box ASM
5	108-1153	8	Spring-Brush
6	108-1154	1	Ring-Retaining
7	108-1155	1	Bearing
8	108-1156	1	Head-Commutator
9	108-1157	1	Headband ASM
10	108-1158	8	Brush
11	108-1159	1	Thermal Sensor ASM
12	3218-13	2	Nut-Jam, Brass
13	3218-14	2	Nut-Jam, Brass

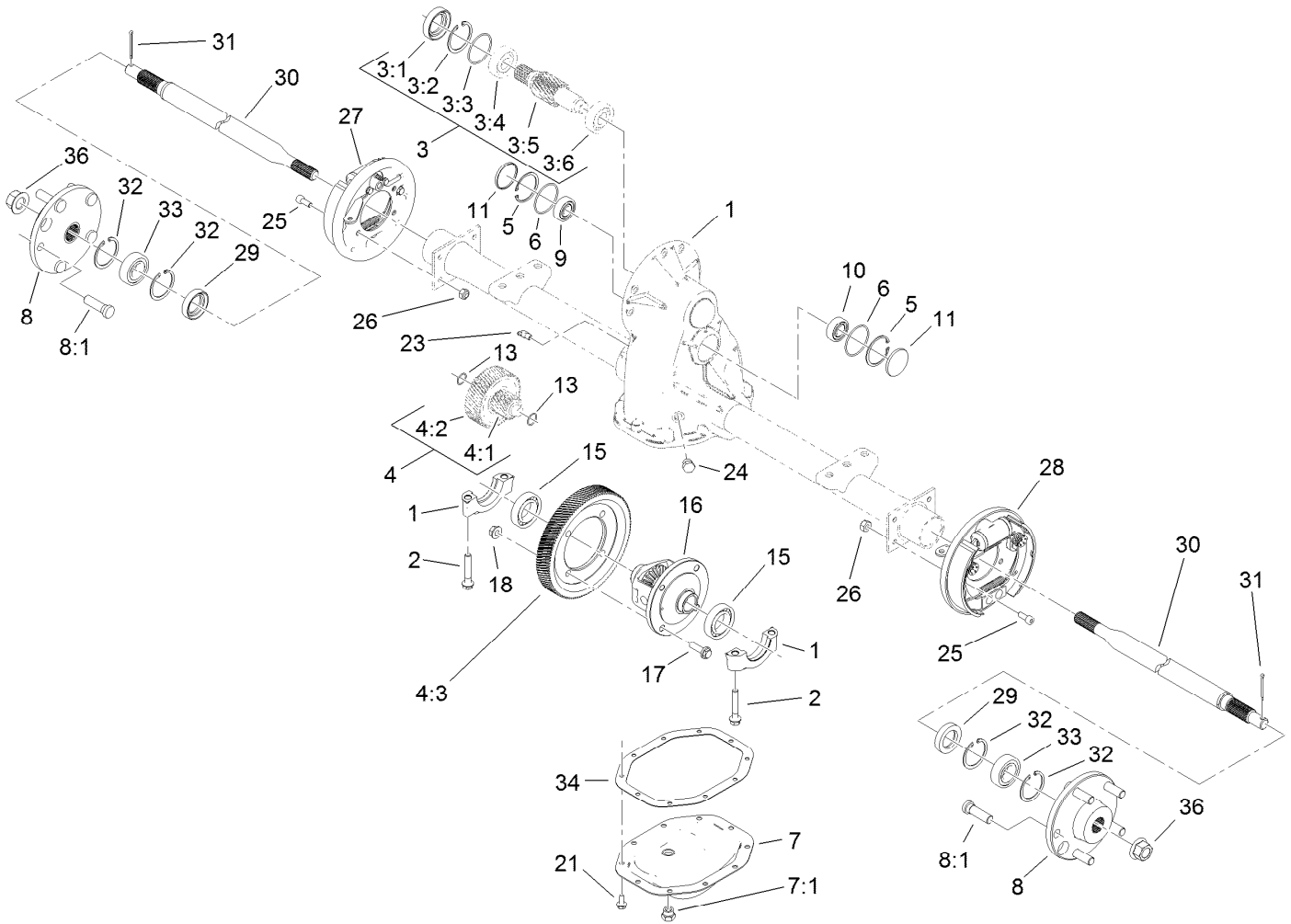
● Not serviced separately



Electric Transaxle Assembly No. 114-8330

Ref.	Part Number	Qty.	Description	Ref.	Part Number	Qty.	Description
1		1	Transaxle ASM ●	9	108-2406	1	Bearing-Ball
2	108-2401	4	Bolt-Cap, Bearing	10	108-2407	1	Bearing-Ball
3	115-2185	1	Input Shaft Kit	11	108-2408	2	Plug-Cap, End
3:1	108-2403	1	Seal-Oil	13	108-2410	2	O-Ring
3:2	108-2404	1	Ring-Retaining	15	108-2411	2	Bearing-Ball
3:3	108-2405	1	O-Ring	16	112-3138	1	Differential ASM
3:4		1	Bearing-Ball ●	17	108-2413	4	Screw-Hex
3:5		1	Shaft-Input ●	18	108-2414	4	Nut-Lock
3:6		1	Bearing-Ball ●	21	108-2427	10	Screw-Tapping
4	108-2409	1	Internal Gear Kit	23	108-2428	1	Elbow-90 Degree
4:1		1	Shaft-Input ●	24	108-2429	1	Plug-HH
4:2		1	Gear-Intermediate ●	25	112-3139	8	Screw-HSH
4:3	110-2541	1	Gear-Drive, Final	26	108-2418	8	Nut-Lock
5	108-2404	2	Ring-Retaining	27	114-8332	1	LH Brake ASM
6	108-2405	2	O-Ring	28	114-8331	1	RH Brake ASM
7	108-2416	1	Cover Kit	29	112-3140	2	Seal-Oil
7:1	108-2415	1	Plug-HH	30	112-3141	2	Shaft-Axle
8	112-3136	2	Hub ASM	31	3272-12	2	Pin-Cotter
8:1	112-3137	1	Bolt-Wheel	32	108-2424	4	Ring-Retaining

● Not serviced separately

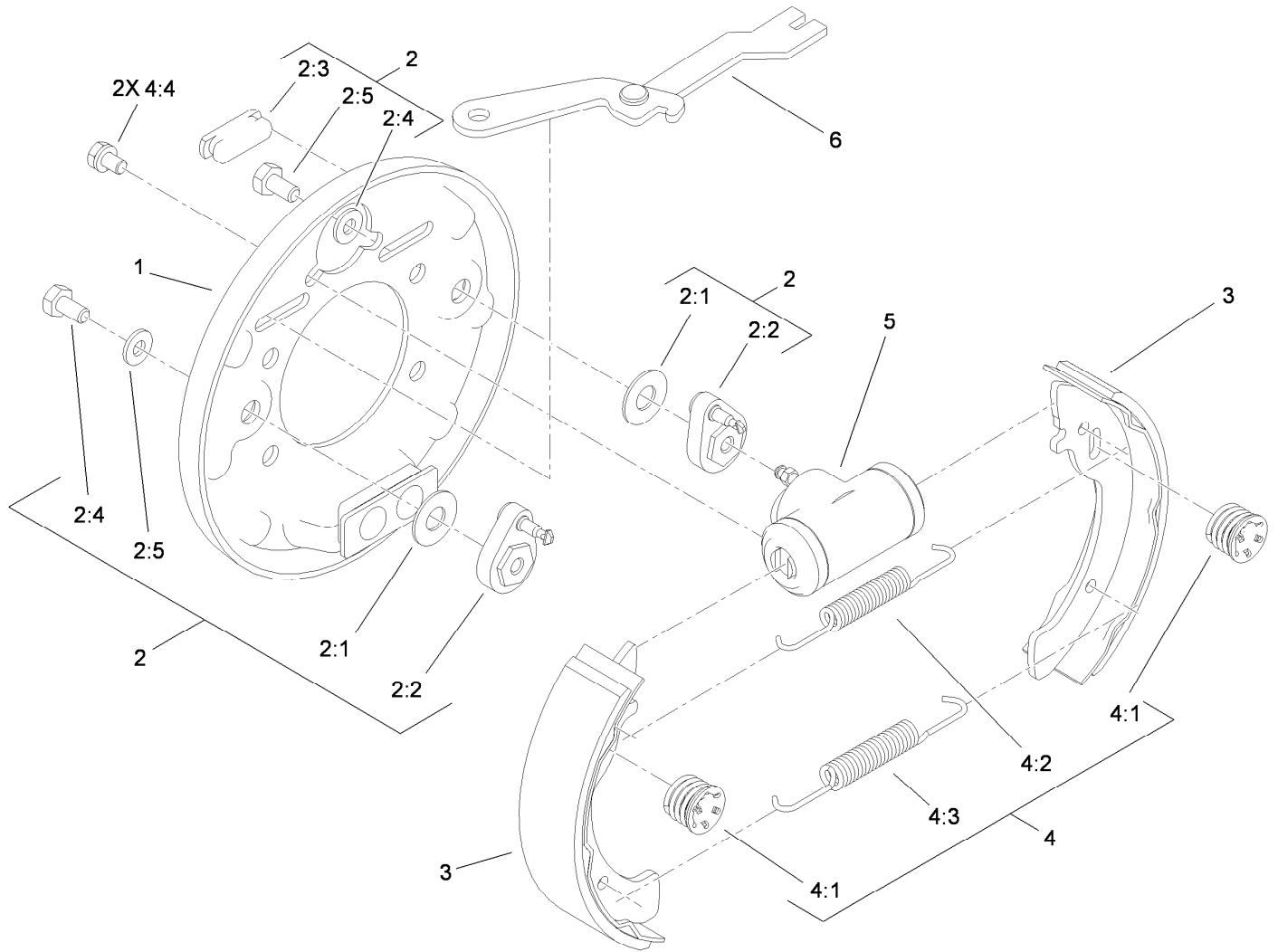


Electric Transaxle Assembly No. 114-8330 (continued)

Ref.	Part Number	Qty.	Description
33	108-2425	2	Bearing-Ball

Ref.	Part Number	Qty.	Description
34	108-3148	1	Gasket
36	112-3142	2	Nut-HF

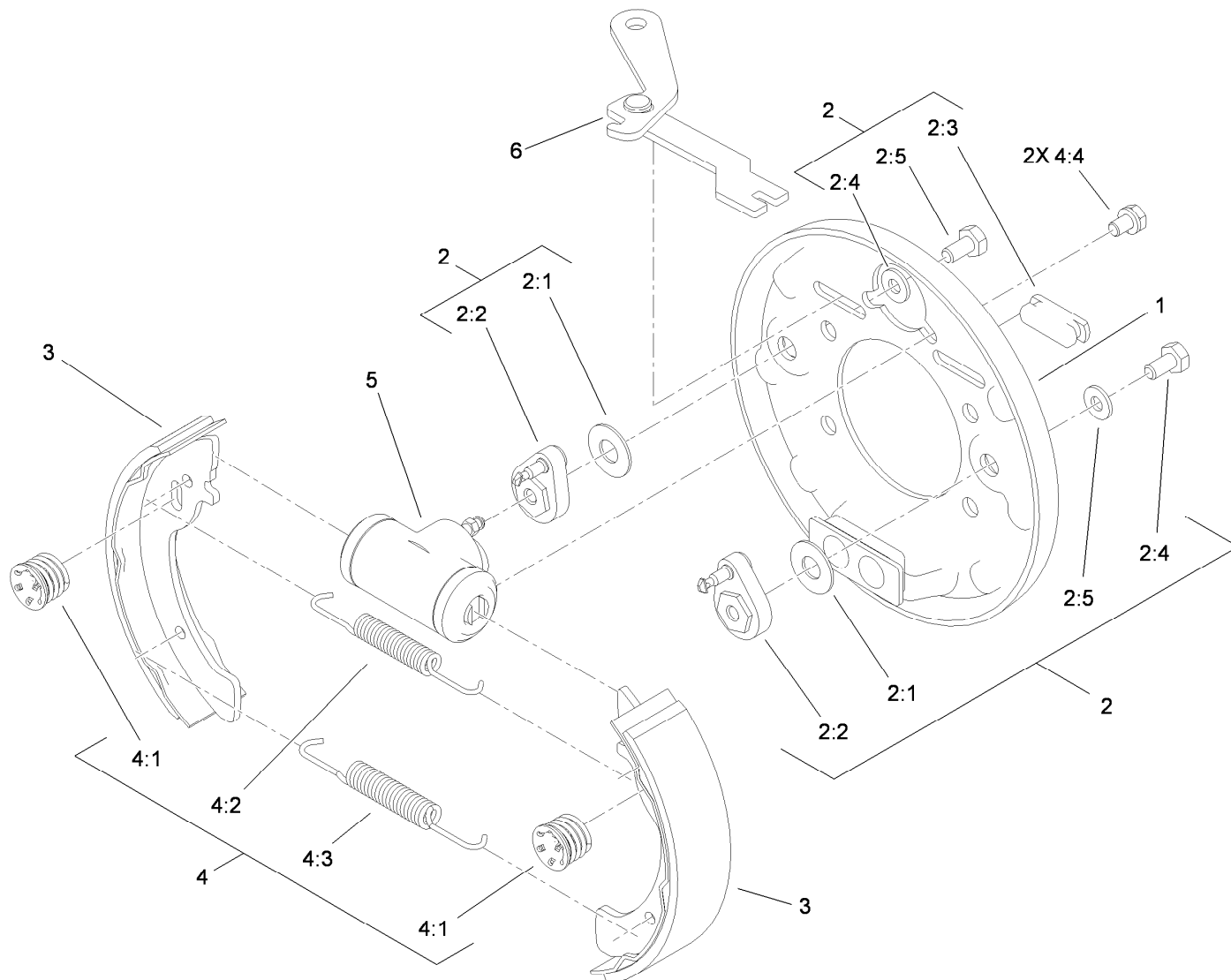
● Not serviced separately



LH Rear Brake Assembly No. 114-8332

Ref.	Part Number	Qty.	Description
1	100-8586	1	Backing Plate ASM
2	104-6820	1	Adjuster Kit
2:1	100-8585	2	Washer-Bellville
2:2	100-8588	2	Adjuster Lever ASM
2:3	100-8584	2	Cover-Dust
2:4		2	Washer ●
2:5		2	Bolt ●
3	104-6818	4	Shoe And Lining Kit
4	104-6819	1	Hardware Kit
4:1	100-8583	2	Shoe Hold Down Spring ASM
4:2	100-8581	2	Spring-Upper
4:3	100-8582	2	Spring-Lower
4:4		2	Bolt And Washer ●
5	114-8333	1	Wheel Cylinder ASM
6	104-6825	1	LH Park Brake Lever ASM

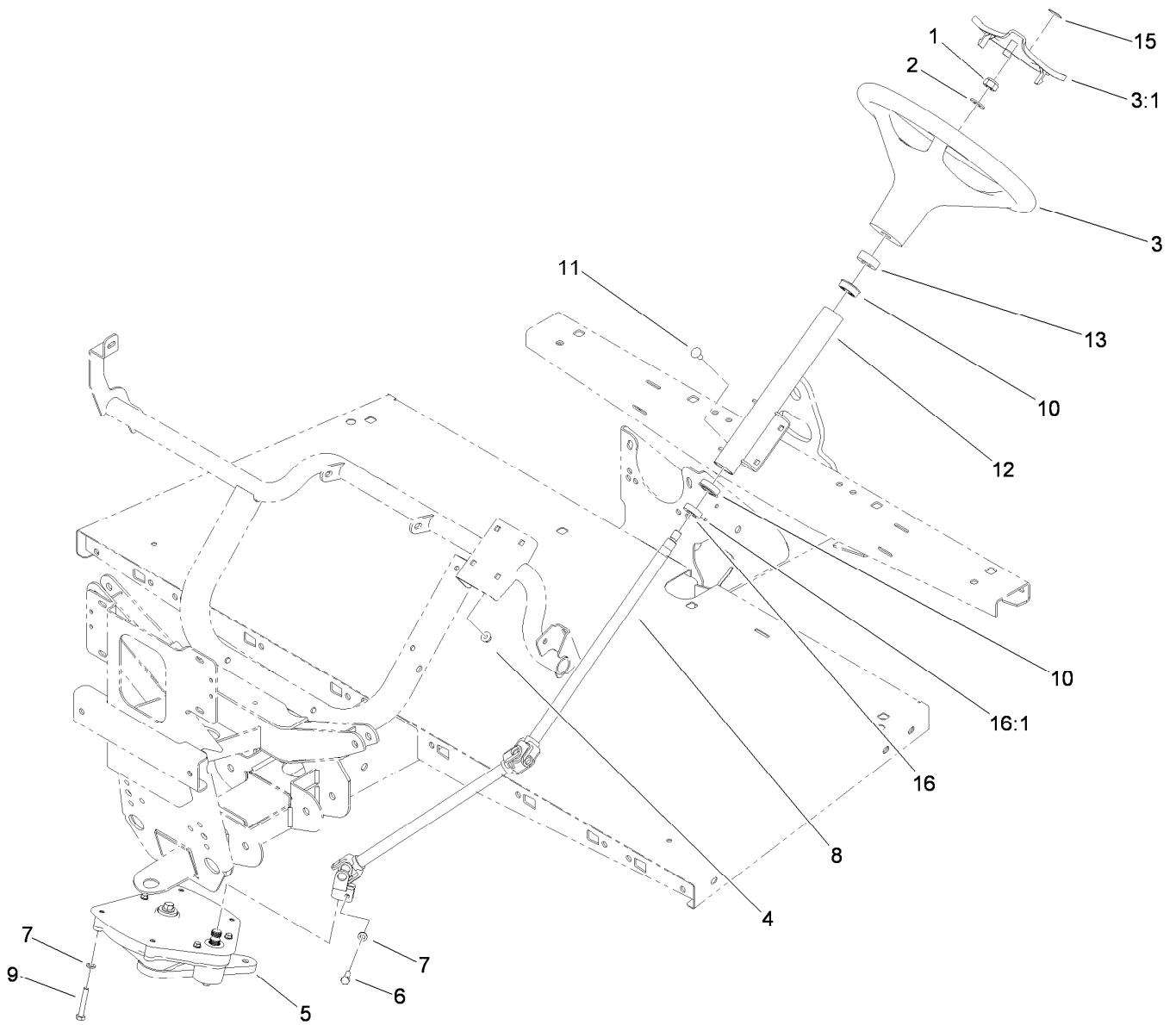
● Not serviced separately



RH Rear Brake Assembly No. 114-8331

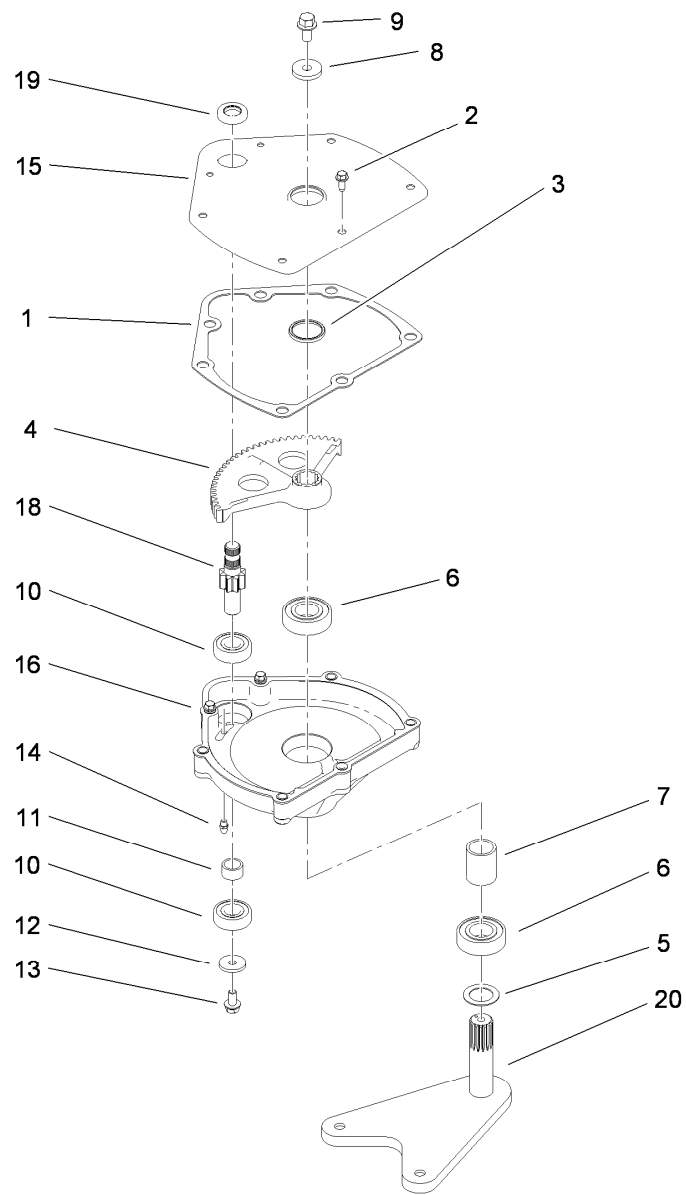
Ref.	Part Number	Qty.	Description
1	100-8586	1	Backing Plate ASM
2	104-6820	1	Adjuster Kit
2:1	100-8585	2	Washer-Bellville
2:2	100-8588	2	Adjuster Lever ASM
2:3	100-8584	2	Cover-Dust
2:4		2	Washer ●
2:5		2	Bolt ●
3	104-6818	4	Shoe And Lining Kit
4	104-6819	1	Hardware Kit
4:1	100-8583	2	Shoe Hold Down Spring ASM
4:2	100-8581	2	Spring-Upper
4:3	100-8582	2	Spring-Lower
4:4		2	Bolt And Washer ●
5	114-8333	1	Wheel Cylinder ASM
6	104-6826	1	RH Park Brake Lever ASM

● Not serviced separately



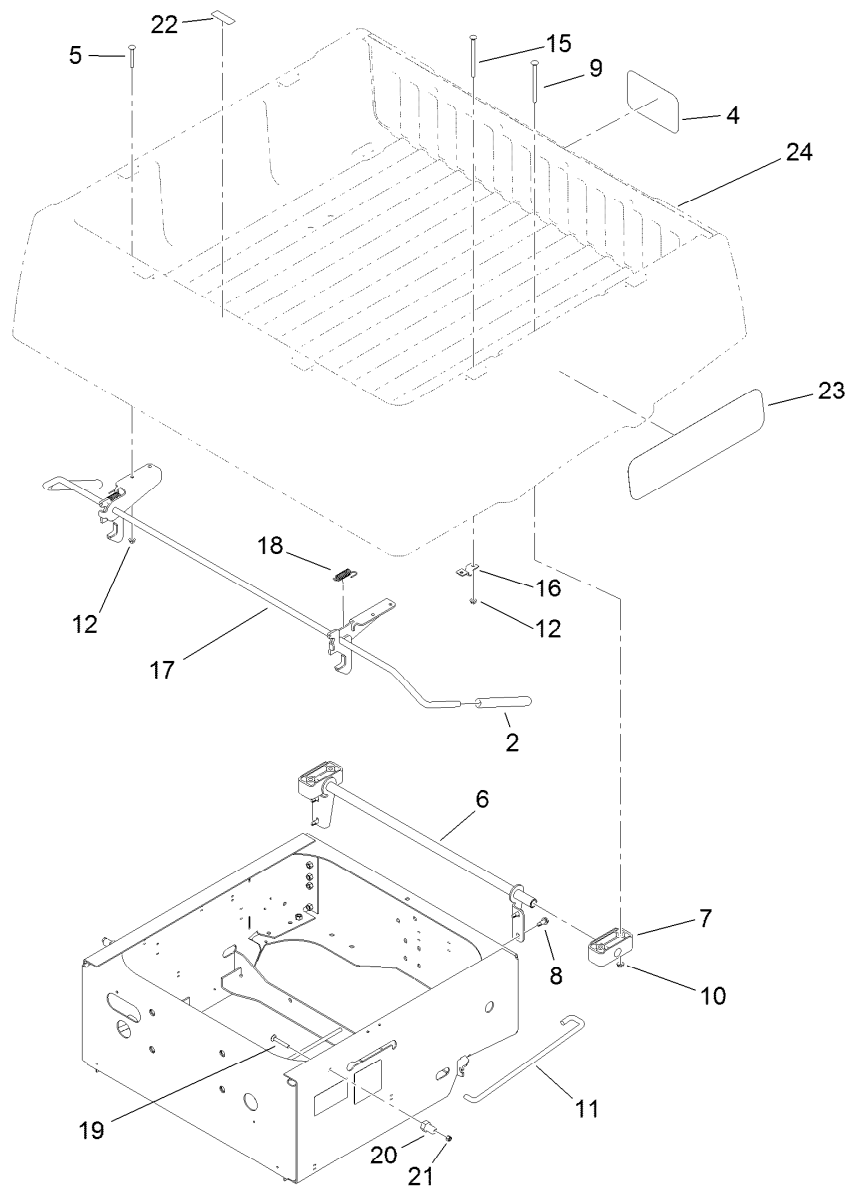
Upper Steering Assembly

<i>Ref.</i>	<i>Part Number</i>	<i>Qty.</i>	<i>Description</i>	<i>Ref.</i>	<i>Part Number</i>	<i>Qty.</i>	<i>Description</i>
1	119-9493	1	Nut-Lock, NI	9	112-3305	4	Screw-HH
2	3256-26	1	Washer-Flat	10	112-3262	2	Bearing
3	98-1471	1	Wheel-Steering	11	3230-1	4	Bolt-CARR
3:1	98-1468	1	Cover-Wheel, Steering	12	112-3264-03	1	Column ASM
4	104-8300	4	Nut-Flange, NI	13	21-9260	1	Cover-Dust
5	112-3130	1	Steering Box ASM	15	98-1459	1	Decal
6	48-7730	1	Screw-Cap, HH	16	111383	1	Collar
7	3253-4	5	Washer-Lock	16:1	3245-32	1	Screw-HSH
8	112-3355	1	Steering Shaft				



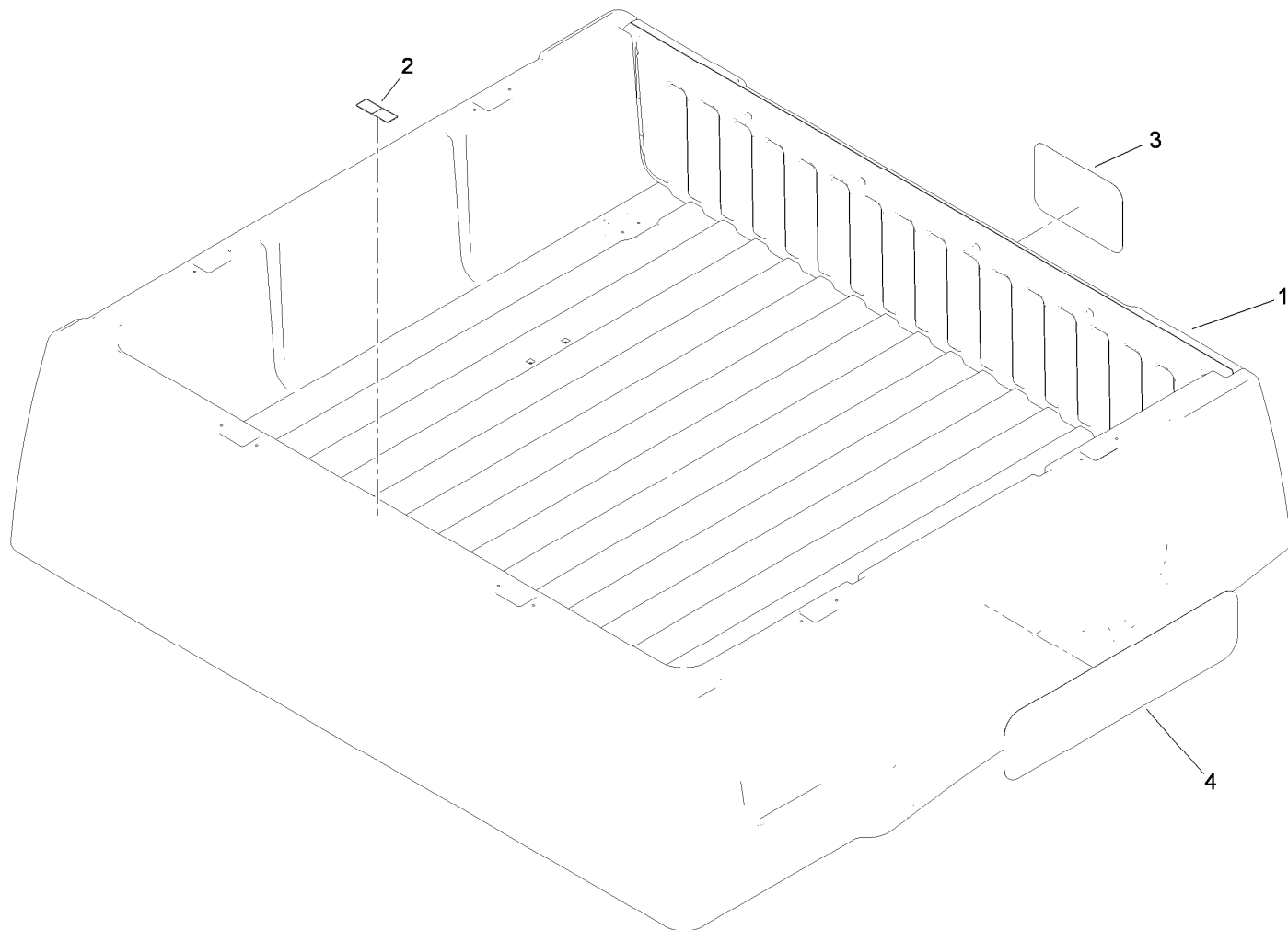
Steering Box Assembly No. 112-3130

<i>Ref.</i>	<i>Part Number</i>	<i>Qty.</i>	<i>Description</i>	<i>Ref.</i>	<i>Part Number</i>	<i>Qty.</i>	<i>Description</i>
1	94-2135	1	Gasket	11	94-2217	1	Spacer-Shaft, Input
2	32144-10	3	Screw-HWH	12	1-613235	1	Washer
3	103118	1	Seal	13	98-3498	1	Screw-HH
4	99-7843	1	Sector-Gear	14	302-5	1	Fitting-Grease
5	3256-42	1	Washer-Flat	15	112-2918-03	1	Cover-Housing, Steering
6	251-82	2	Bearing-Ball	16	114-8309	1	Housing-Steering
7	112-2917	1	Spacer	18	115-7726	1	Gear-Pinion
8	104-6563	1	Washer-Stepped	19	99-7657	1	Seal-Oil
9	104-7156	1	Screw-HHF	20	112-3096-03	1	Pitman Arm ASM
10	38-7820	2	Bearing-Ball				



Cargo Bed and Tailgate Installation Assembly

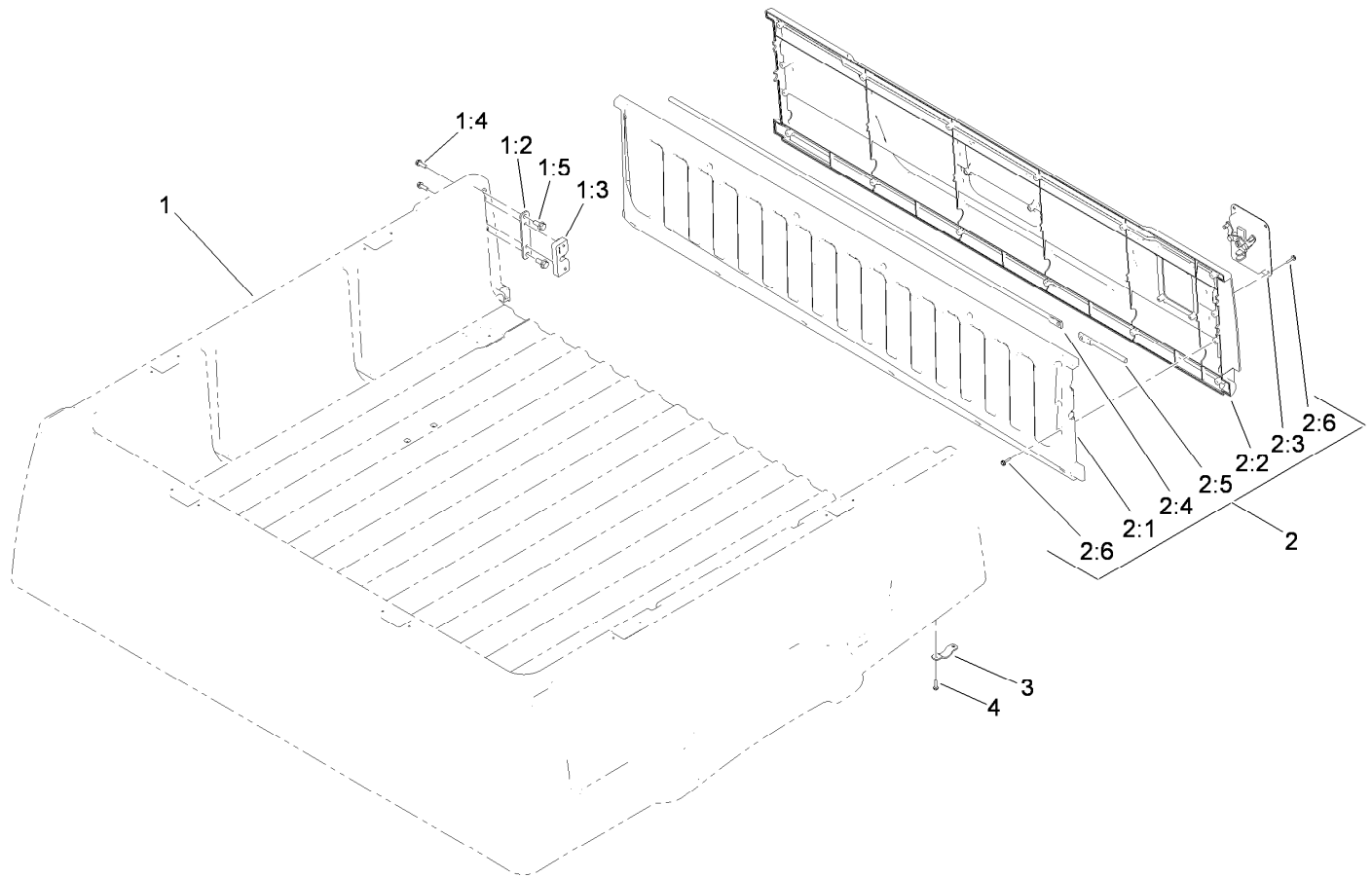
<i>Ref.</i>	<i>Part Number</i>	<i>Qty.</i>	<i>Description</i>	<i>Ref.</i>	<i>Part Number</i>	<i>Qty.</i>	<i>Description</i>
2	119-9627	2	Grip-Handle	15	119-0914	2	Bolt-CARR
4	104-7213	1	Decal	16	99-7896	1	Bracket-U, Prop Rod
5	3230-8	4	Screw-CARR	17	119-0837	1	Latch ASM
6	119-0848-03	1	Pivot Bracket ASM	18	5-7290	2	Spring-Tension
7	119-0835	2	Bushing-Pivot	19	3230-7	2	Screw-CARR
8	105-6245	4	Screw-Tapping	20	104-7248	2	Pin-Latch
9	109-6795	4	Bolt-CARR	21	3296-29	2	Nut-Lock, NI
10	3290-357	4	Nut-HHF, Whiz	22	115-7739	1	Decal-No Riders
11	119-0844	1	Rod-Prop	23	119-9451	2	Decal
12	32128-20	6	Nut-HF	24	119-9710	1	Cargo Bed Service ASM



Cargo Bed Service Assembly No. 119-9710

<i>Ref.</i>	<i>Part Number</i>	<i>Qty.</i>	<i>Description</i>
1		1	Cargo Bed And Tailgate ASM ●
2	115-7739	1	Decal-No Riders
3	104-7213	1	Decal
4	120-4825	2	Decal

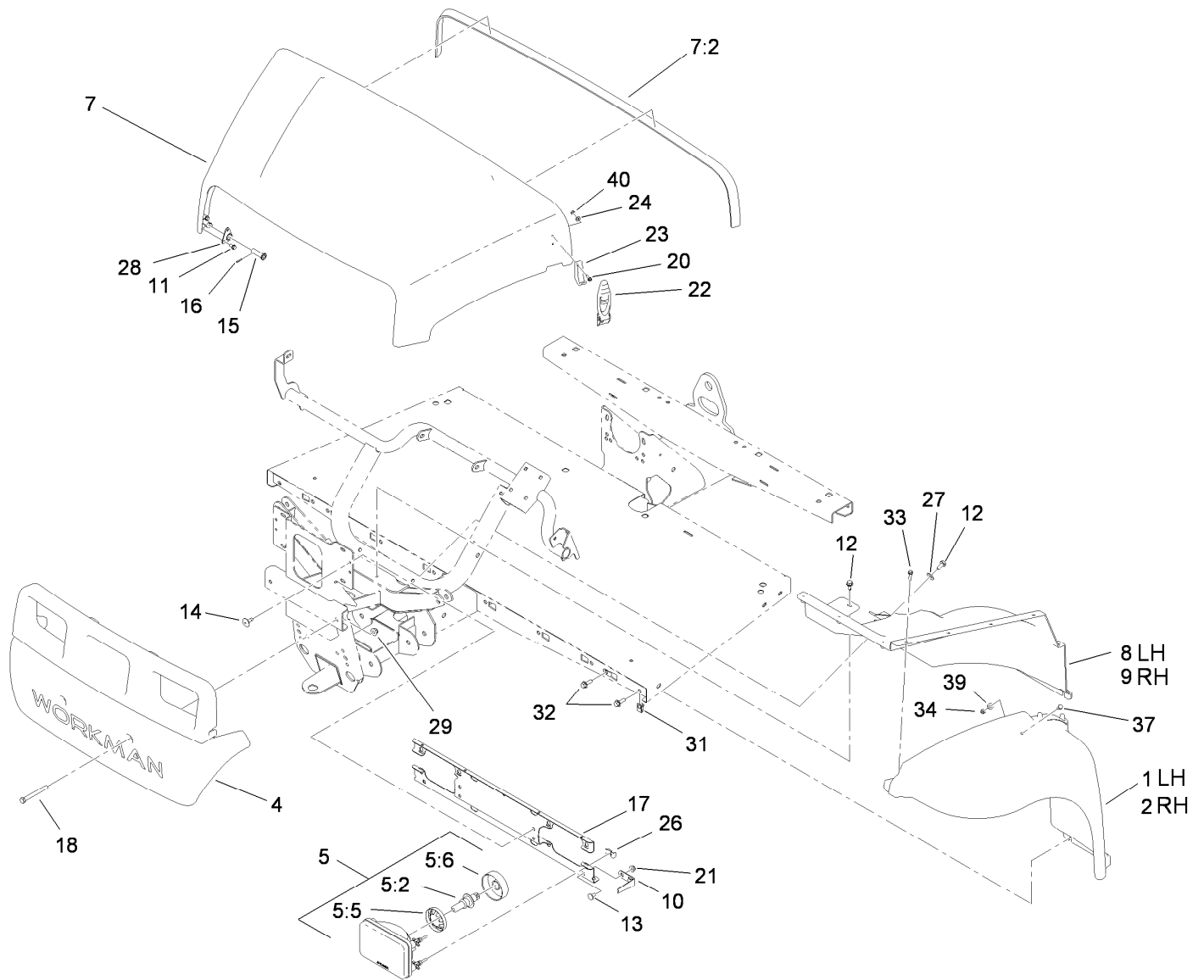
● Not serviced separately



Cargo Bed and Tailgate Assembly

Ref.	Part Number	Qty.	Description
1		1	Cargo Bed W/ Strikes ●
1:2	119-0838	2	Mount-Striker
1:3	119-0892	2	Strike-Latch
1:4	3234-47	4	Screw-HHF
1:5	32105-15	4	Screw
2		1	Tailgate ASM ●
2:1	119-0839	1	Tailgate Inner
2:2	119-0840	1	Tailgate Outer
2:3	119-0891	1	Handle-Latch
2:4	119-0842	1	Rod-Latch, RH
2:5	119-0843	1	Rod-Latch, LH
2:6	98-1375	20	Screw-HWH
3	119-0849	2	Retainer-Tailgate
4	98-1375	4	Screw-HWH

● Not serviced separately



Hood and Fender Assembly

Ref.	Part Number	Qty.	Description	Ref.	Part Number	Qty.	Description
1	112-3371	1	Fender-LH	17	119-0841-03	1	Bracket-Headlight
2	112-3370	1	Fender-RH	18	115-7660	2	Screw-HHF
4	112-3365	1	Bumper	20	32105-13	4	Screw-HWH
5	115-7617	2	Headlight ASM	21	32128-20	2	Nut-HF
5:2	115-7618	1	Bulb-24V	22	115-2416	2	Latch-Rubber
5:5	115-7667	1	Retainer-Headlight	23	103-2897	2	Latch-Catch
5:6	115-7668	1	Boot-Headlight	24	3256-14	4	Washer-Flat
7	115-7636	1	Hood ASM	26	115-2408	6	Clip-Speed
7:2	115-7635	1	Seal-Foam	27	3256-71	2	Washer-Flat
8	112-3369	1	Well-Fender, LH	28	112-3308	2	Retainer-Pin
9	112-3368	1	Well-Fender, RH	29	104-8301	2	Nut-Flange, NI
10	112-3373	2	Keeper-Pivot, Hood	31	112-3306	10	Nut
11	46-8093	6	Screw-Plastite	32	3234-29	10	Screw-HHF
12	32104-32	4	Screw-HWH	33	46-8091	20	Screw-HWH
13	3230-18	2	Screw-CARR	34	3296-42	2	Nut-Lock, NI
14	146489	4	Rivet	37	321-39	2	Screw-HH
15	117-5094	2	Pin-Clevis	39	3256-22	2	Washer-Flat
16	32121-50	2	Pin-Spring	40	3296-2	4	Nut-Lock, NI

Attachments and Accessories

For 07299TC Workman MDE Utility Vehicle

Product Name	Model/Part
Rear Lift Kit	07261
Roll-Over Protection System	07276
Receiver Hitch Kit	07278
12V Power Plug Adapter Kit	07318
Canopy Kit	07324
Solid Windshield Kit	07325
Folding Windshield Kit	07326
Snow Plow	07327
Hard Cab	07328
Heavy-Duty Bumper Kit	07329
Heavy-Duty Brush Guard and Bumper Kit	07338
Sliding Window Door Kit	07352
Fixed Window Door Kit	07353
Electric Bed Lift Kit, 2011 and After Workman MDE Utility Vehicle.....	07382
Wheel-5 Bolt	104-6889
Tire-AT 489, 24x10.5-10	104-7061
Tire-AT 489, 22x9.5-10	104-7062
20 foot Cordset Kit (DC).....	108-3071
48V Battery Charger	115-7785
Lift Wire Harness Kit	115-7823
Replacement Front Spring Kit.....	117-4847
Accessory Installation Kit, Espar Heater Kit for Workman MDE Utility Vehicle	117-4968
Potentiometer Kit	117-5085
Cord-AC (US/CANADA)	119-0661
Cord-AC (UK)	119-0662
Cord-AC (Europe).....	119-0663
Tire And Wheel Asm	119-0751
Side Mirror Kit	119-9546
Lanyard Kit, 2011 and After Workman MD Series Utility Vehicle.....	119-9590
Brake and Signal Light Kit, 2011 and After Workman MD Series Utility Vehicle.....	119-9603
Stake Pocket Adapter Kit, 2011 and After Workman MD Series Utility Vehicle.....	119-9604
Tie-Down Kit, 2011 and After Workman MD Series Utility Vehicle	119-9605
Bed Retrofit Kit, 2010 and Before Workman MD Series Utility Vehicle.....	119-9606

Notes:

Notes:



Count on it.