



Count on it.

Parts Catalog

**TITAN MX5480 Zero-Turn-Radius
Riding Mower**

Model No. 74872—Serial No. 311000001 and Up

Ordering Replacement Parts

To order replacement parts, please supply the part number, the quantity, and the description of each part desired.

Understanding Reference Numbers

Each identified part in an illustration has a reference number. The reference number for a part also appears in the parts list, along with other information about the part.

This catalog uses two special reference number formats, one to indicate parts in a service assembly and another to indicate the quantity of a given part in an illustration.

Service Assembly Reference Numbers

Parts in service assemblies have reference numbers in the form a:b. The a represents the reference number of the entire service assembly and the b represents a sequential number unique to each part within the service assembly.

For example, a wheel assembly might be identified by reference number 6, the tire by 6:1, the valve by 6:2, and the wheel by 6:3. When you order the assembly identified by reference number 6, you receive all parts identified by reference numbers 6:1, 6:2, and 6:3. However, you may also order any part individually. Reference numbers of this type appear in illustration and in parts lists.

Reference Numbers Indicating Quantity

In an illustration, if a reference number indicates more than one part, the reference number has the form nX y. The n represents the quantity of the part, the X is the multiplication symbol, and the y represents the reference number.

For example, in an illustration, the reference number 2X 37 means that two of the parts identified by reference number 37 are indicated.

List of Abbreviations

AR: as required

ASM: assembly

BBC: blade brake control

BHTF: button head thread forming

CARR: carriage

CCW: counter clockwise

CW: clockwise

DEG: degrees

DPA: Dual Point Adjustment

ECM: electronic control module

EXT: external

FH: flat head

GA: gauge

HD: heavy-duty

HF: hex flange

HH: hex head

HHF: hex head flange

HHFTF: hex head flange thread forming

HJ: hex jam

HLH: hex lag head

HOC: height-of-cut

HSBH: hex socket button head

HSFH: hex socket flat head

HSH: hex socket head

HWH: hex washer head

HWTF: hex washer head thread forming

HYD: hydraulic

LH: left hand

LP: Liquid Propane

NI: nylon insert

NPTF: national pipe thread fine

PFH: phillips flat head

PPH: phillips pan head

PPHTF: phillips pan head thread forming

PRH: phillips round head

PTH: phillips truss head

PTO: power-take-off

RH: right hand

ROPS: roll-over protection system

RRB: rear roller brush

SFH: slotted fillister head

SHH: slotted hex head

SHWH: slotted hex washer head

SPH: slotted pan head

SQH: square head

SRH: slotted round head

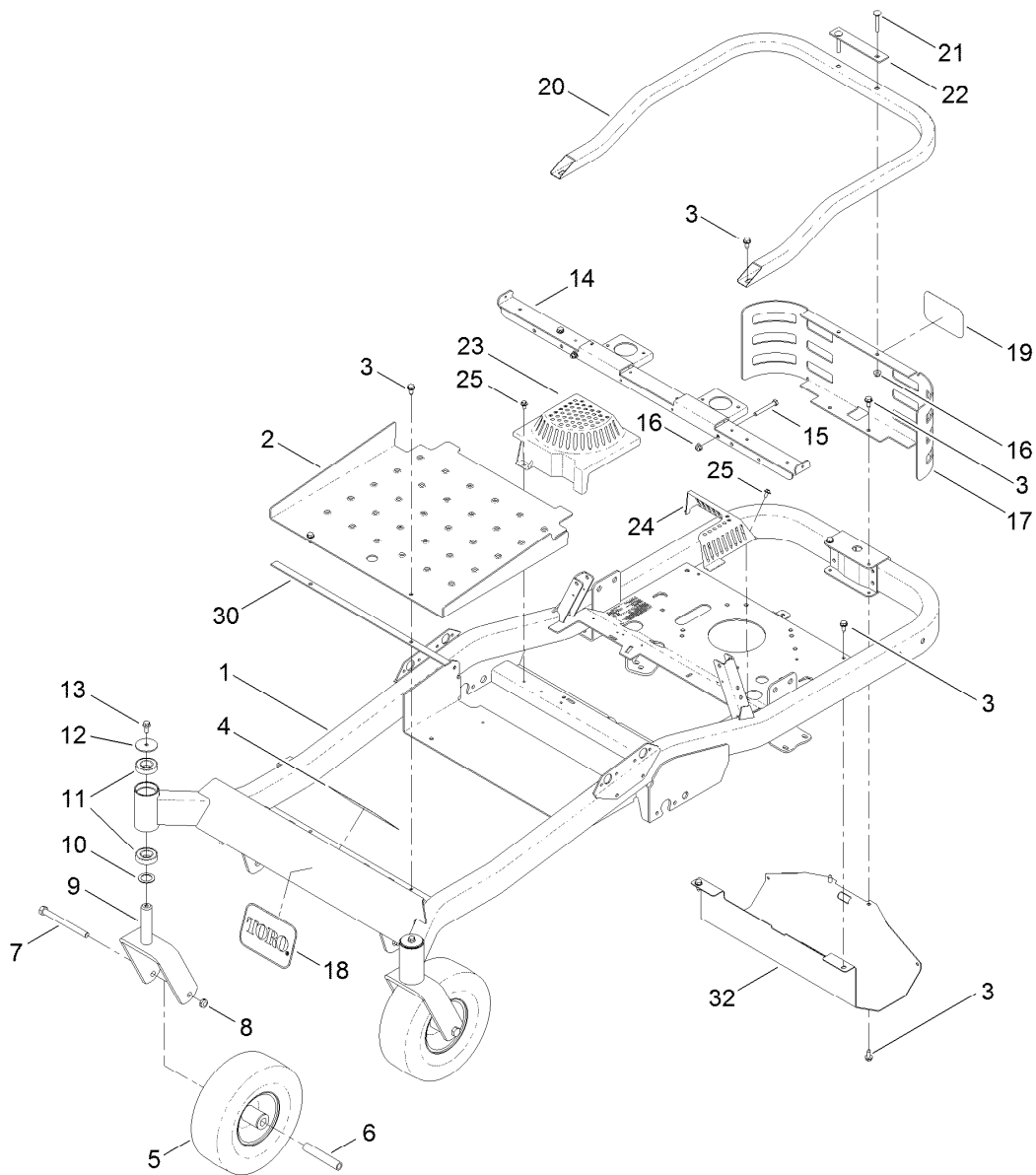
STD: standard

TAP: self tapping

TTH: torx truss head

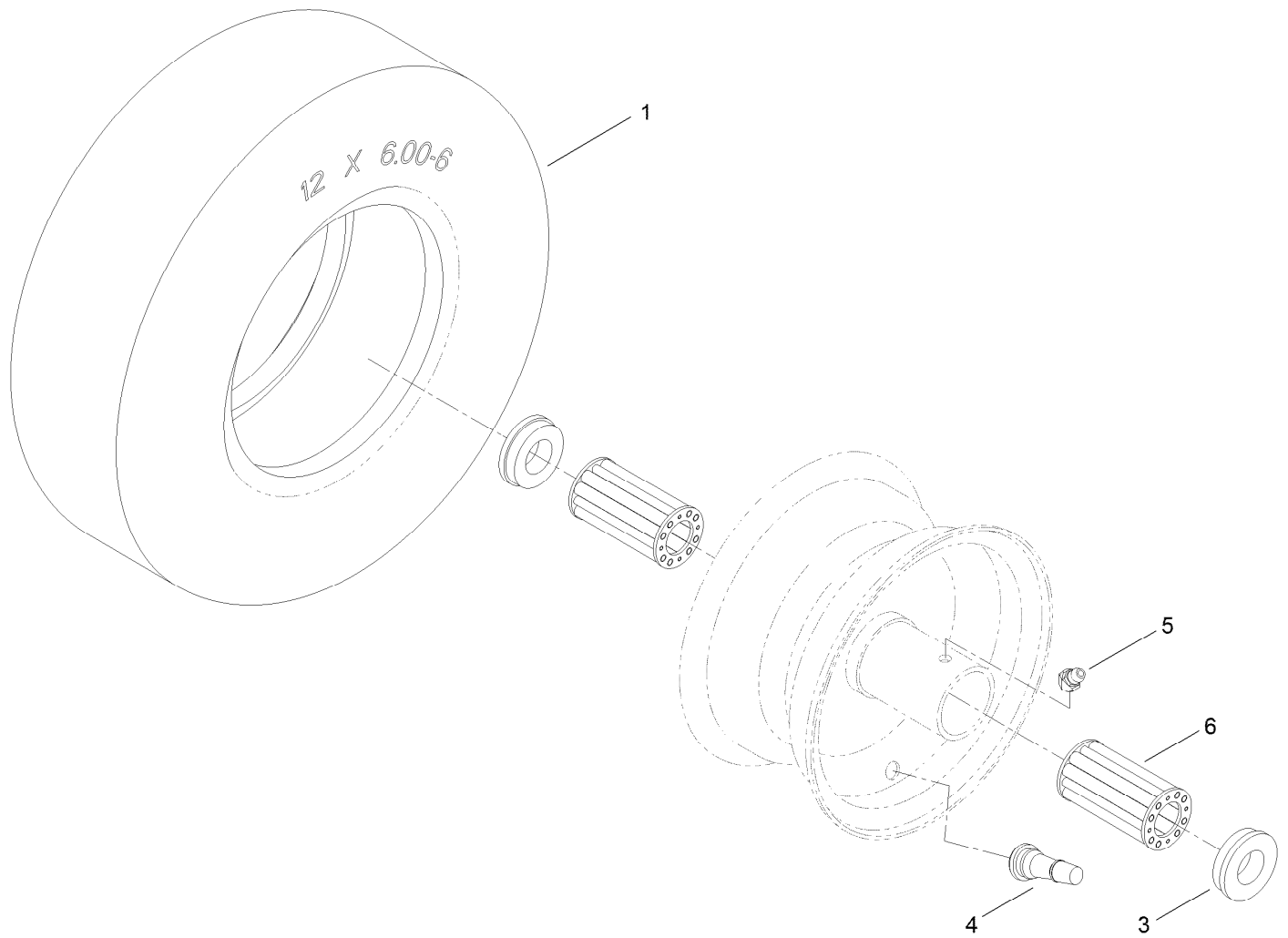
Contents

Main Frame Assembly	4
Wheel and Tire Assembly No. 120-5506	5
Control Panel and Body Styling Pod Assembly	6
Traction Drive Assembly	7
LH Hydro Transmission Assembly No. 119-8892	8
RH Hydro Transmission Assembly No. 119-8893	10
Motion Control Assembly	12
Brake Link Assembly	14
Engine, Muffler and Clutch Assembly	15
Fuel Delivery Assembly	16
Multi Layer Fuel Tank Assembly No. 117-7352	17
Roll-Over Protection System Assembly	18
Electrical Assembly	19
Deck Lift Assembly	20
54 Inch Deck Assembly	21
54 Inch Deck and Decal Assembly No. 120-7117	22
54 Inch Deck Belt and Hi-Flo Blade Assembly	23
Seat Assembly	24
Seat Assembly No. 116-0038	25
Attachments and Accessories	26



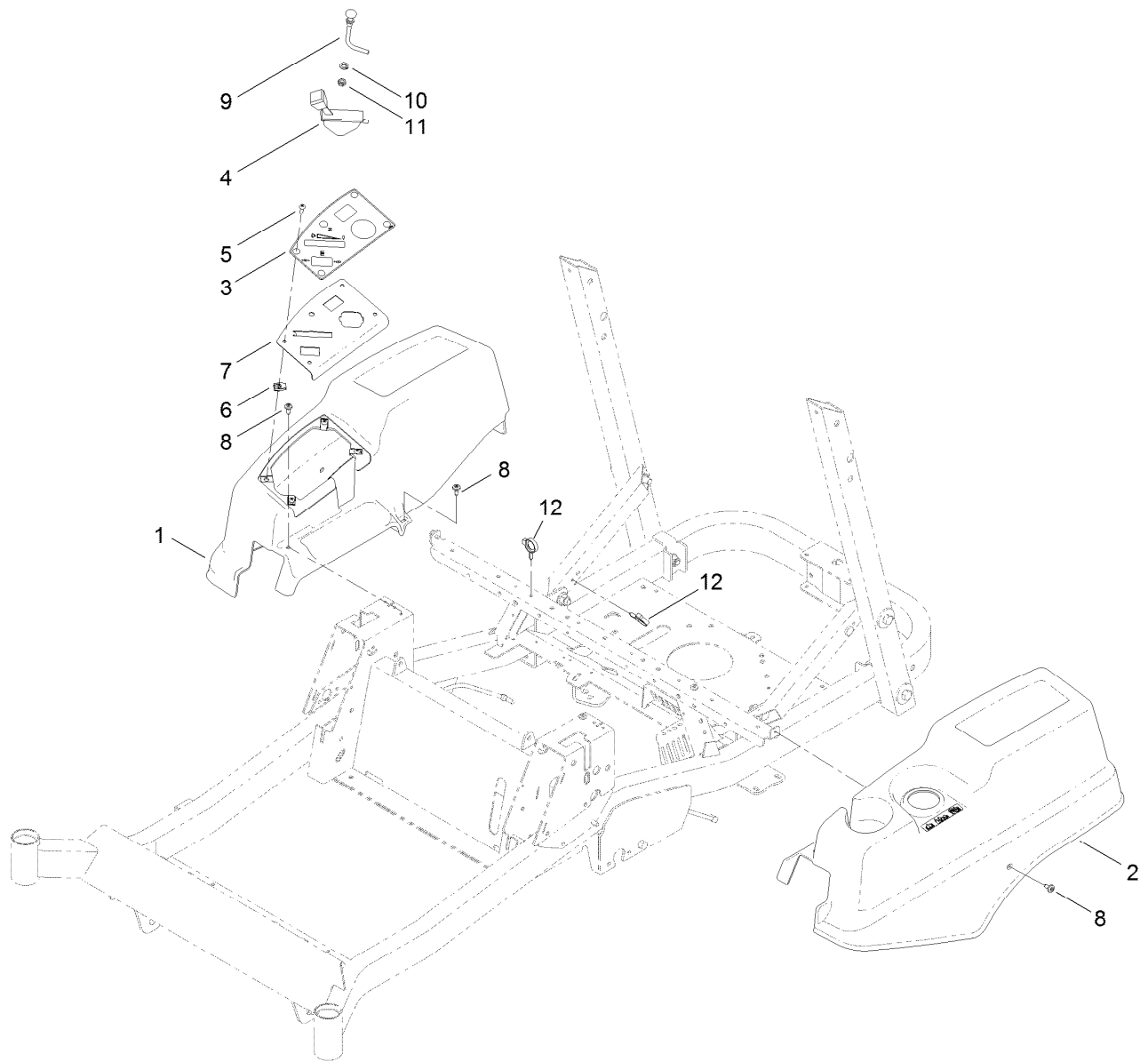
Main Frame Assembly

<i>Ref.</i>	<i>Part Number</i>	<i>Qty.</i>	<i>Description</i>	<i>Ref.</i>	<i>Part Number</i>	<i>Qty.</i>	<i>Description</i>
1	117-7356-01	1	Frame ASM	15	322-12	2	Screw-HH
2	115-2531-05	1	Pan-Floor	16	104-8300	4	Nut-Flange, NI
3	32144-70	10	Screw-HWHTF	17	120-2248-03	1	Guard-Rear
4	120-5466	1	Decal-Safety	18	62-5550	1	Decal
5	120-5506	2	Wheel And Tire ASM	19	105-8278	1	Decal
6	120-2228	2	Spacer-Spanner	20	115-2565-01	1	Guard-Rear, Tube
7	325-36	2	Screw-HH	21	3230-6	2	Screw-CARR
8	3296-45	2	Nut-Lock, NI	22	115-5061-01	1	Plate-Spacer
9	119-8923-01	2	Caster Fork ASM	23	117-1241	1	Cover-Fan, RH
10	10-8110	2	Washer-Thrust	24	117-1242	1	Cover-Fan, LH
11	109-3678	4	Bearing-Ball	25	46-8560	2	Screw-HHFTF
12	109-3724	2	Washer	30	117-7238	1	Strip-Vibration, Anti
13	3234-47	2	Screw-HHF	32	120-2247-03	1	Guard-Muffler
14	117-7451-03	1	Seat Support ASM				



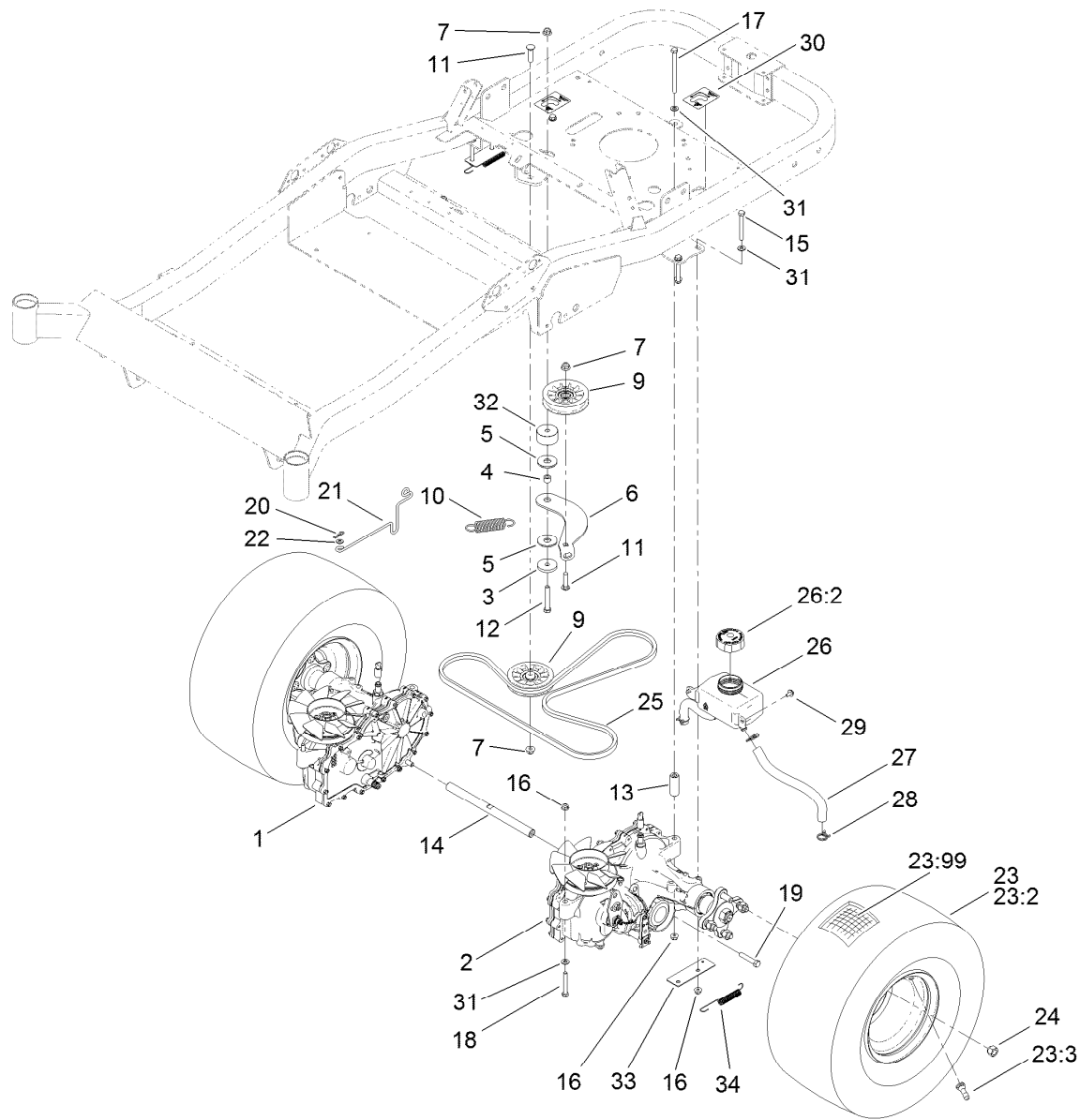
Wheel and Tire Assembly No. 120-5506

<i>Ref.</i>	<i>Part Number</i>	<i>Qty.</i>	<i>Description</i>
1	120-7115	1	Tire
3	120-7124	2	Bushing-Flange
4	5108	1	Valve
5	120-7125	1	Fitting-Zerk
6	83-4740	2	Bearing



Control Panel and Body Styling Pod Assembly

<i>Ref.</i>	<i>Part Number</i>	<i>Qty.</i>	<i>Description</i>
1	120-5488	1	Pod-RH
2	120-5489	1	Pod-LH
3	115-9632	1	Decal-Panel, Control
4	120-2290	1	Cable-Throttle
5	3258-166	4	Screw-PRH
6	107069	4	Clip
7	115-2591-03	1	Panel-Control
8	112-4004	6	Screw-Shoulder
9	120-2291	1	Cable-Choke
10	3253-21	1	Washer-Lock
11	3220-3	1	Nut-HJ
12	105-1853	2	Clamp-Hose



Traction Drive Assembly

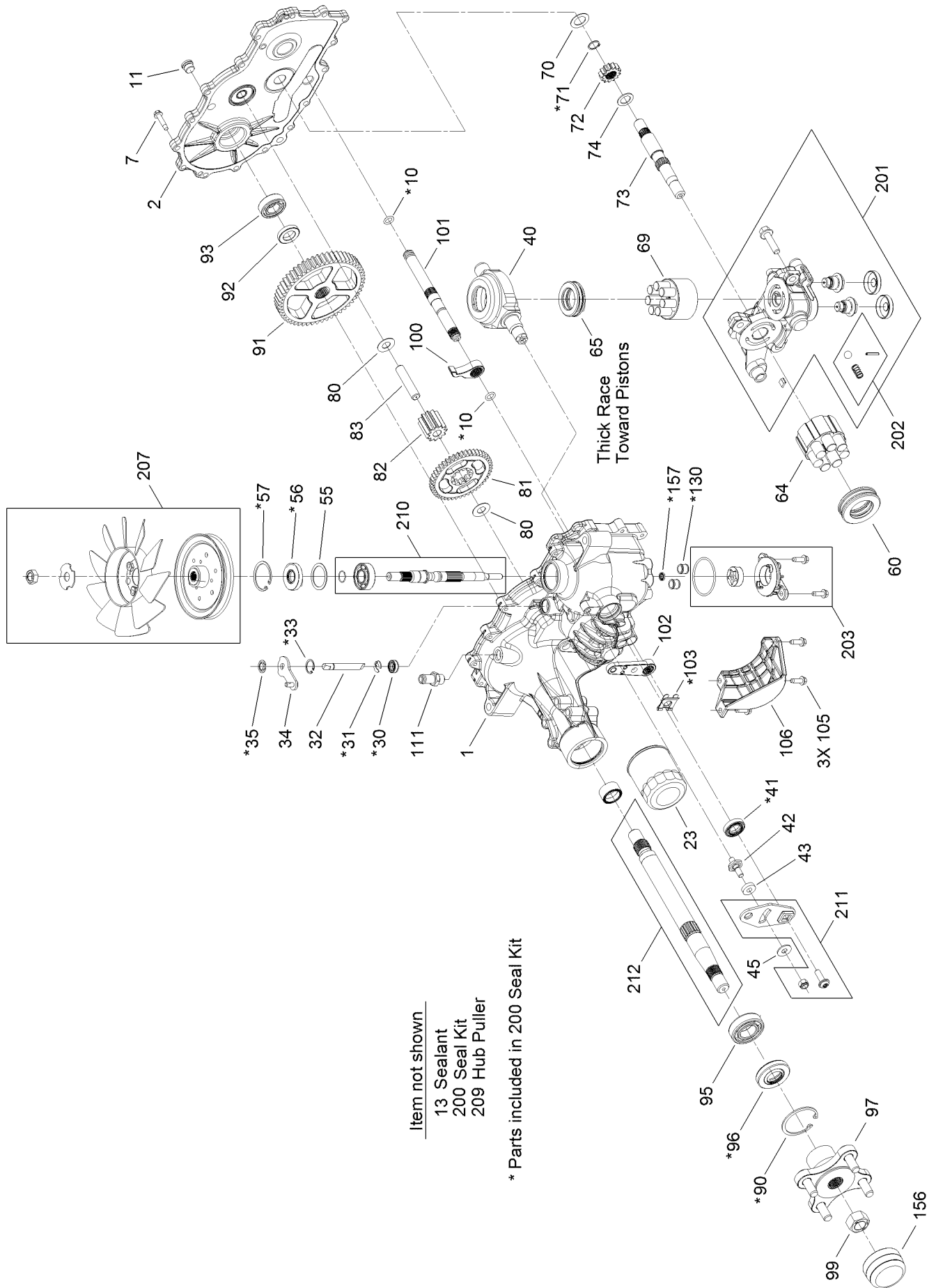
Ref.	Part Number	Qty.	Description	Ref.	Part Number	Qty.	Description
1	119-8893	1	Hydro-RH	21	115-4990	2	Rod-Bypass
2	119-8892	1	Hydro-LH	22	3256-22	2	Washer-Flat
3	110-9981	1	Washer-Plain	23	120-5482	2	Wheel And Tire ASM
4	115-4986	1	Spacer	23:2	120-5483	1	Tire-Turfmaster
5	114-0463	2	Washer-Friction, Composite	23:3	232-27	1	Stem-Valve
6	117-5350	1	Arm-Idler	23:99	105-4070	1	Tube-Inner
7	104-8301	3	Nut-Flange, NI	24	242-50	8	Nut-Lug
9	109-3397	2	Pulley-Idler, Flat	25	115-9613	1	V-Belt
10	1-603402	1	Spring-Extension	26	115-9618	1	HYD Reservoir ASM
11	3231-4	2	Screw-CARR	26:2	109-3320	1	Cap-Reservoir, HYD
12	323-12	1	Screw-HH	27	115-4969	2	Hose-Overflow
13	109-3652	2	Spacer-Hydro	28	117-1193	4	Clamp-Hose
14	115-2559	1	Shaft-Cross, Hydro	29	46-8560	2	Screw-HHFTF
15	322-13	4	Screw-HH	30	117-1158	2	Decal-Bypass
16	104-8300	8	Nut-Flange, NI	31	3256-23	8	Washer-Flat
17	322-38	2	Screw-HH	32	117-5351	1	Spacer
18	322-11	2	Screw-HH	33	117-7248-03	2	Plate-Spring
19	323-10	2	Screw-HH	34	110769	2	Spring-Extension
20	1-806003	2	Pin-Cotter, Hair				

LH Hydro Transmission Assembly No. 119-8892 (continued)

<i>Ref.</i>	<i>Part Number</i>	<i>Qty.</i>	<i>Description</i>	<i>Ref.</i>	<i>Part Number</i>	<i>Qty.</i>	<i>Description</i>
1	114-8471	1	Main Housing Kit	81	120-7973	1	Gear-46T
2	114-8472	1	Side Cover Kit	82	120-7974	1	Gear-11T
7	117-5359	16	Screw-Hfhcs	83	104-5329	1	Pin-Jackshaft
10	114-1678	2	O-Ring	90	104-2169	1	Ring-Retaining
11	104-2189	1	Plug-Thread, Straight	91	114-1694	1	Gear-54T
13	104-2147	1	Sealant ●	92	120-7975	1	Spacer
23	109-3321	1	Element-Oil Filter, HYD	93	114-1696	1	Bearing-Ball
30	106-8676	1	Seal-Lip	95	120-7976	1	Bearing-Ball
31	106-8677	1	Ring-Retaining, EXT	96	104-2144	1	Seal
32	114-1685	1	Rod-Bypass	97	109-5939	1	Hub Kit
33	106-8679	1	Ring-Retaining, Int	99	120-7931	1	Nut
34	107-2490	1	Arm-Bypass	100	114-1697	1	Pawl-Brake
35	106-8681	1	Ring-Retaining, EXT	101	120-7977	1	Brake Shaft Kit
40	104-5304	1	Swashplate-Trunnion	102	114-1699	1	Handle-Brake
41	104-5313	1	Seal-Lip	103	103-9764	1	Clip-Retaining
42	104-2116	1	Stud	105	104-2120	3	Screw
43	112-9853	1	Puck-Friction	106	120-7979	1	Guard-Filter, LH
45	5-4460	1	Washer-Pivot	111	109-3278	1	Adapter-Straight
55	104-5308	1	Spacer	130	114-8455	2	Tube-Connecting
56	104-5310	1	Seal-Lip	156	115-5057	1	Cover-Nut, Axle
57	104-5309	1	Ring-Retaining	157	120-7978	1	Seal-Lip
60	109-2865	1	Bearing-Thrust	200	109-3537	1	Complete Seal Kit ●
64	114-1689	1	Motor Cylinder Block Kit	201	120-7980	1	LH Charge Center Section Kit
65	94-6922	1	Bearing-Thrust	202	114-8464	1	Charge Relief Kit
69	110-8561	1	Pump Block ASM	203	114-8465	1	Charge Kit
70	104-5339	1	Washer-Flat	207	109-5938	1	Fan And Pulley Kit
71	104-5340	1	Ring-Retaining	209	114-8467	1	Hub-Puller, 4 Bolt ●
72	120-7972	1	Gear-13T	210	117-5361	1	Shaft Input Kit
73	114-1691	1	Shaft-Motor	211	117-5362	1	Arm Control Kit
74	104-5360	1	Washer-Shaft, Motor	212	114-8470	1	Axle Shaft Kit
80	94-1933	2	Washer				

● Not illustrated

RH Hydro Transmission Assembly No. 119-8893



Item not shown

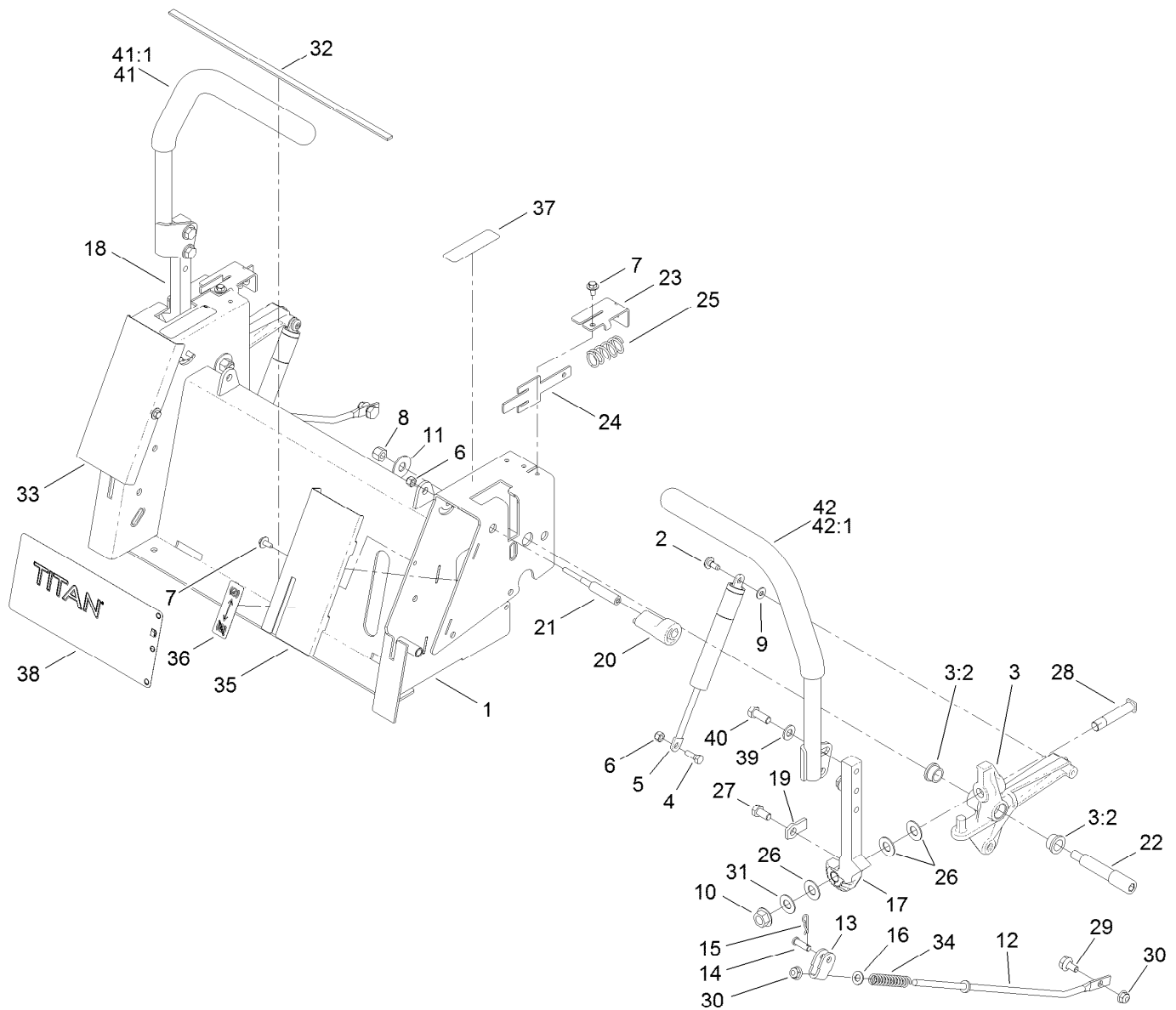
- 13 Sealant
- 200 Seal Kit
- 209 Hub Puller

* Parts included in 200 Seal Kit

RH Hydro Transmission Assembly No. 119-8893 (continued)

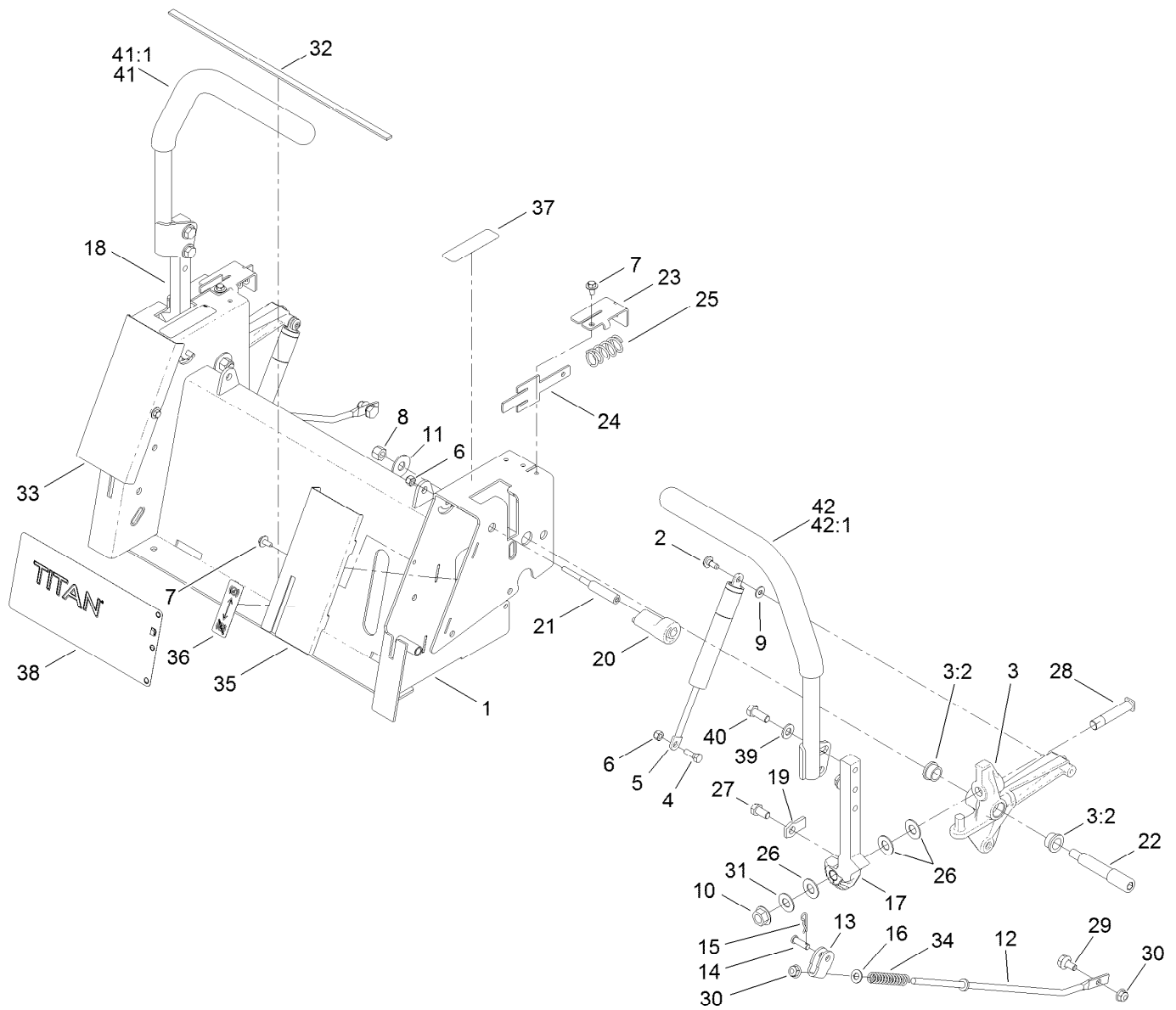
<i>Ref.</i>	<i>Part Number</i>	<i>Qty.</i>	<i>Description</i>	<i>Ref.</i>	<i>Part Number</i>	<i>Qty.</i>	<i>Description</i>
1	114-1676	1	Main Housing Kit	81	120-7973	1	Gear-46T
2	117-5358	1	Housing Side Kit	82	120-7974	1	Gear-11T
7	117-5359	16	Screw-Hfhcs	83	104-5329	1	Pin-Jackshaft
10	114-1678	2	O-Ring	90	104-2169	1	Ring-Retaining
11	104-2189	1	Plug-Thread, Straight	91	114-1694	1	Gear-54T
13	104-2147	1	Sealant ●	92	120-7975	1	Spacer
23	109-3321	1	Element-Oil Filter, HYD	93	114-1696	1	Bearing-Ball
30	106-8676	1	Seal-Lip	95	120-7976	1	Bearing-Ball
31	106-8677	1	Ring-Retaining, EXT	96	104-2144	1	Seal
32	114-1685	1	Rod-Bypass	97	109-5939	1	Hub Kit
33	106-8679	1	Ring-Retaining, Int	99	105-1895	1	Nut
34	107-2490	1	Arm-Bypass	100	114-1697	1	Pawl-Brake
35	106-8681	1	Ring-Retaining, EXT	101	120-7977	1	Brake Shaft Kit
40	104-5304	1	Swashplate-Trunnion	102	114-1699	1	Handle-Brake
41	104-5313	1	Seal-Lip	103	103-9764	1	Clip-Retaining
42	104-2116	1	Stud	105	104-2120	3	Screw
43	112-9853	1	Puck-Friction	106	120-7981	1	Guard-Filter, RH
45	5-4460	1	Washer-Pivot	111	109-3278	1	Adapter-Straight
55	104-5308	1	Spacer	130	114-8455	2	Tube-Connecting
56	104-5310	1	Seal-Lip	156	115-5057	1	Cover-Nut, Axle
57	104-5309	1	Ring-Retaining	157	120-7978	1	Seal-Lip
60	109-2865	1	Bearing-Thrust	200	109-3537	1	Complete Seal Kit ●
64	114-1689	1	Motor Cylinder Block Kit	201	120-7982	1	RH Charge, Center Section Kit
65	94-6922	1	Bearing-Thrust	202	114-8464	1	Charge Relief Kit
69	110-8561	1	Pump Block ASM	203	114-8465	1	Charge Kit
70	104-5339	1	Washer-Flat	207	109-5938	1	Fan And Pulley Kit
71	104-5340	1	Ring-Retaining	209	114-8467	1	Hub-Puller, 4 Bolt ●
72	120-7972	1	Gear-13T	210	117-5361	1	Shaft Input Kit
73	114-1691	1	Shaft-Motor	211	117-5362	1	Arm Control Kit
74	104-5360	1	Washer-Shaft, Motor	212	114-8470	1	Axle Shaft Kit
80	94-1933	2	Washer				

● Not illustrated



Motion Control Assembly

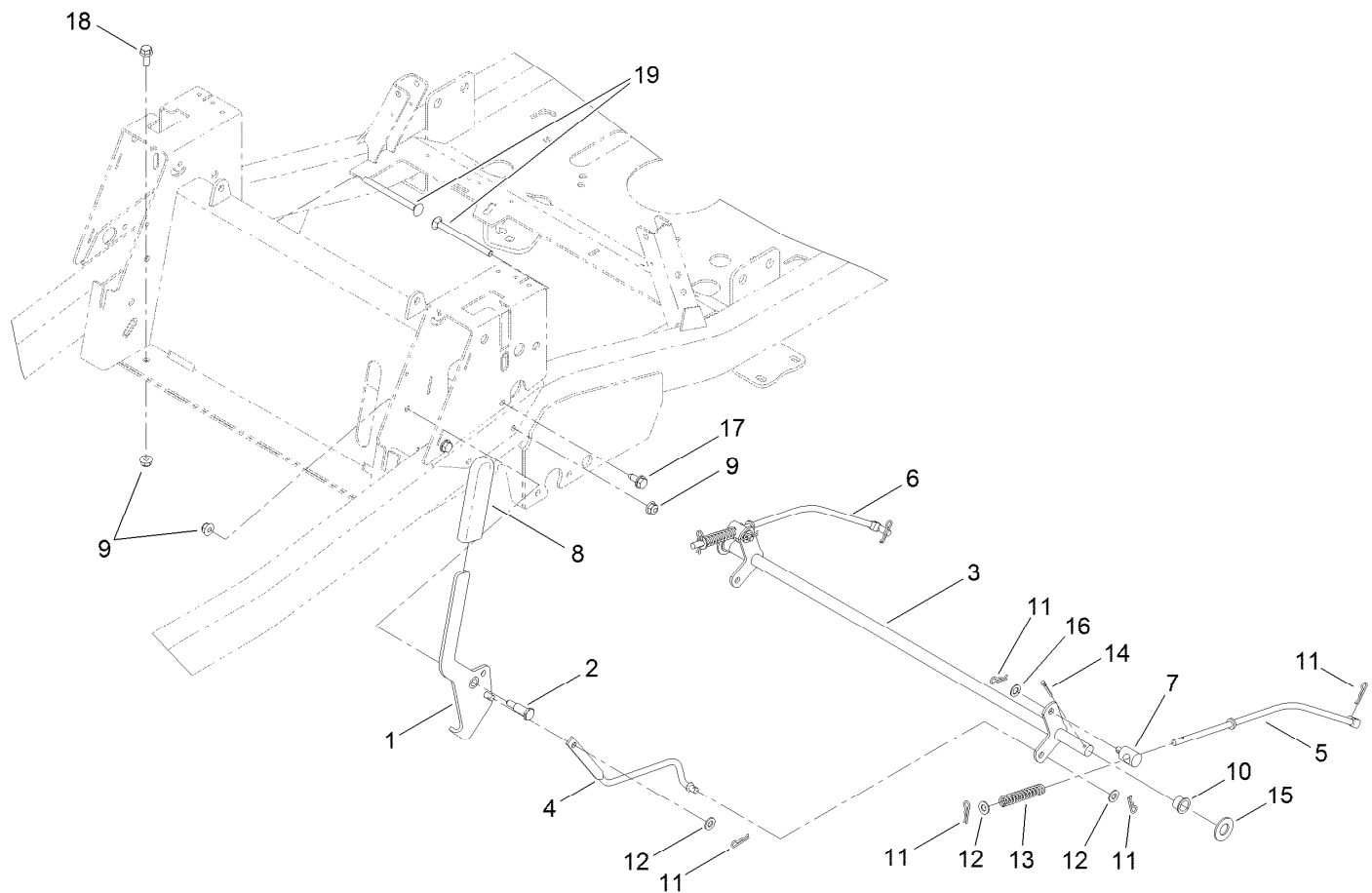
Ref.	Part Number	Qty.	Description	Ref.	Part Number	Qty.	Description
1	117-7452-03	1	Control Box ASM	21	110-6874	2	Screw-Eccentric
2	112-4004	2	Screw-Shoulder	22	110-6875	2	Bolt-Shoulder
3	110-6828	2	Activator Arm ASM	23	110-6751	2	Bracket-Return
3:2	105-3455	2	Bushing	24	110-6750	2	Plate-Return
4	106-2214	2	Bolt-Shoulder	25	110-6752	2	Spring-Compression
5	109-2339	2	Damper-Control, Motion	26	110-6894	6	Washer-Pivot
6	3296-42	4	Nut-Lock, NI	27	323-4	2	Screw-HH
7	46-8560	4	Screw-HHFTF	28	110-6784	2	Bolt-Shoulder
8	3296-48	2	Nut-Lock, NI	29	37-8771	2	Bolt-Shoulder
9	119-8952	2	Washer	30	104-8300	4	Nut-Flange, NI
10	32128-23	2	Nut-HF	31	112-9771	2	Washer-Teflon
11	3256-5	2	Washer-Flat	32	117-7237	1	Strip-Vibration, Anti
12	117-7422	2	Rod-Control	33	117-1255-03	1	Cover-Control, RH
13	117-7423	2	Bracket-Control	34	1-603807	2	Spring-Return, Neutral
14	1-808280	2	Pin-Clevis	35	115-2561-03	1	Cover-Control, LH
15	1-806003	2	Pin-Cotter, Hair	36	115-9625	1	Decal
16	3256-23	2	Washer-Flat	37	99-8936	2	Decal-Control, Motion
17	110-6783-05	1	Arm-Actuator, LH	38	120-7113	1	Decal
18	110-6782-05	1	Arm-Actuator, RH	39	3256-24	4	Washer-Flat
19	115-5023	2	Tab-Stop	40	323-6	4	Screw-HH
20	110-6873	2	Eccentric	41	120-2207	1	RH Lever/Grip ASM



Motion Control Assembly (continued)

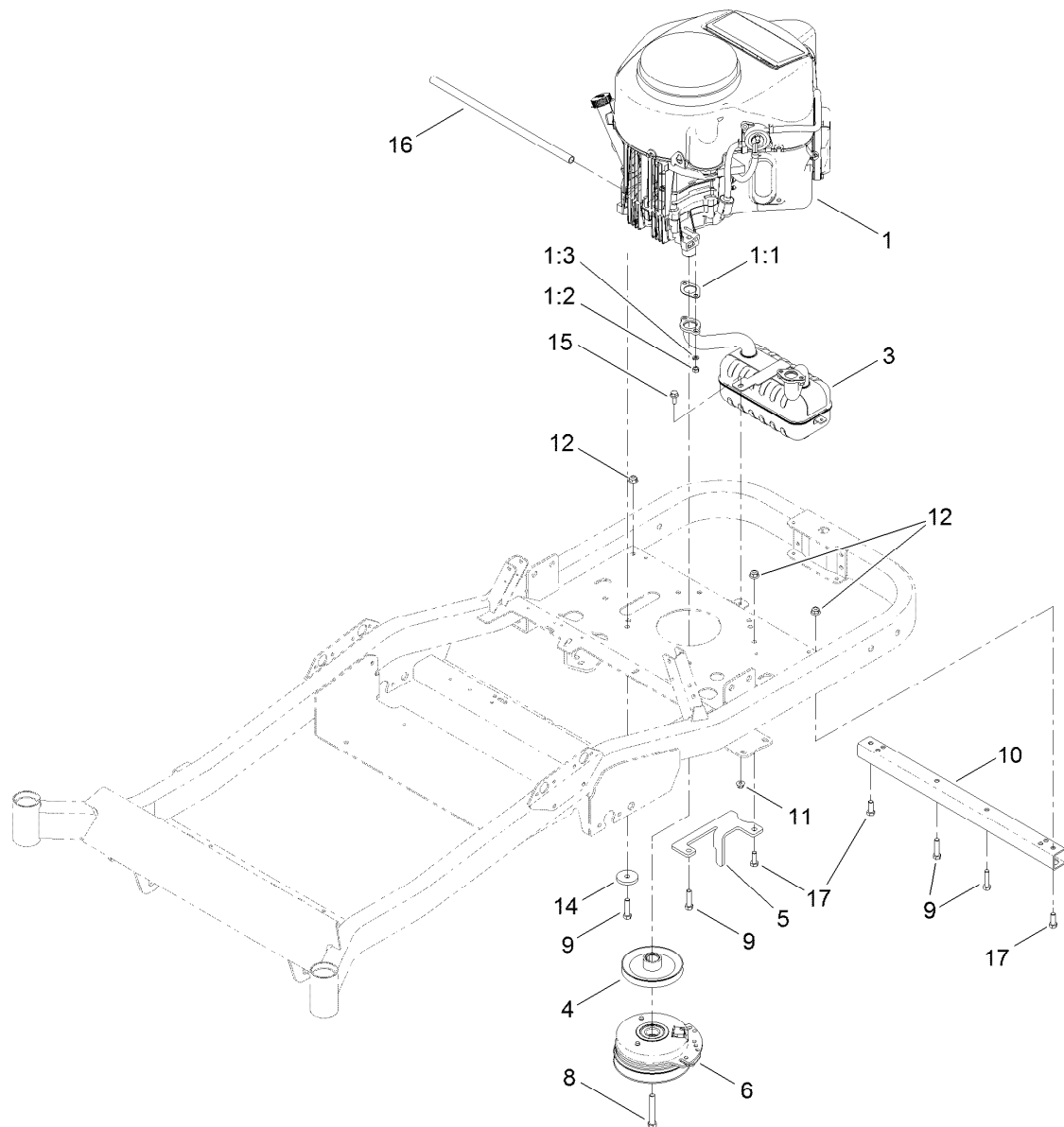
<i>Ref.</i>	<i>Part Number</i>	<i>Qty.</i>	<i>Description</i>
41:1	106-9987	1	Grip-Control, Motion

<i>Ref.</i>	<i>Part Number</i>	<i>Qty.</i>	<i>Description</i>
42	120-2208	1	LH Lever/Grip ASM
42:1	106-9987	1	Grip-Control, Motion



Brake Link Assembly

<i>Ref.</i>	<i>Part Number</i>	<i>Qty.</i>	<i>Description</i>	<i>Ref.</i>	<i>Part Number</i>	<i>Qty.</i>	<i>Description</i>
1	119-3460	1	Handle-Brake	11	1-806003	8	Pin-Cotter, Hair
2	63-2650	1	Screw-Shoulder	12	3256-23	4	Washer-Flat
3	115-5071-03	1	Brake-Bellcrank	13	1-603807	2	Spring-Return, Neutral
4	115-5074	1	Link-Brake	14	3272-11	2	Pin-Cotter
5	117-7322	1	Rod-Brake, LH	15	3256-27	2	Washer-Flat
6	117-7323	1	Rod-Brake, RH	16	40-1940	2	Washer
7	115-9681	2	Fitting-Rod	17	32144-70	4	Screw-HWHTF
8	1-633268	1	Grip-Lever	18	3234-47	2	Screw-HHF
9	104-8300	5	Nut-Flange, NI	19	106-9758	2	Screw-CARR
10	256-292	2	Bushing-Flange, NI				



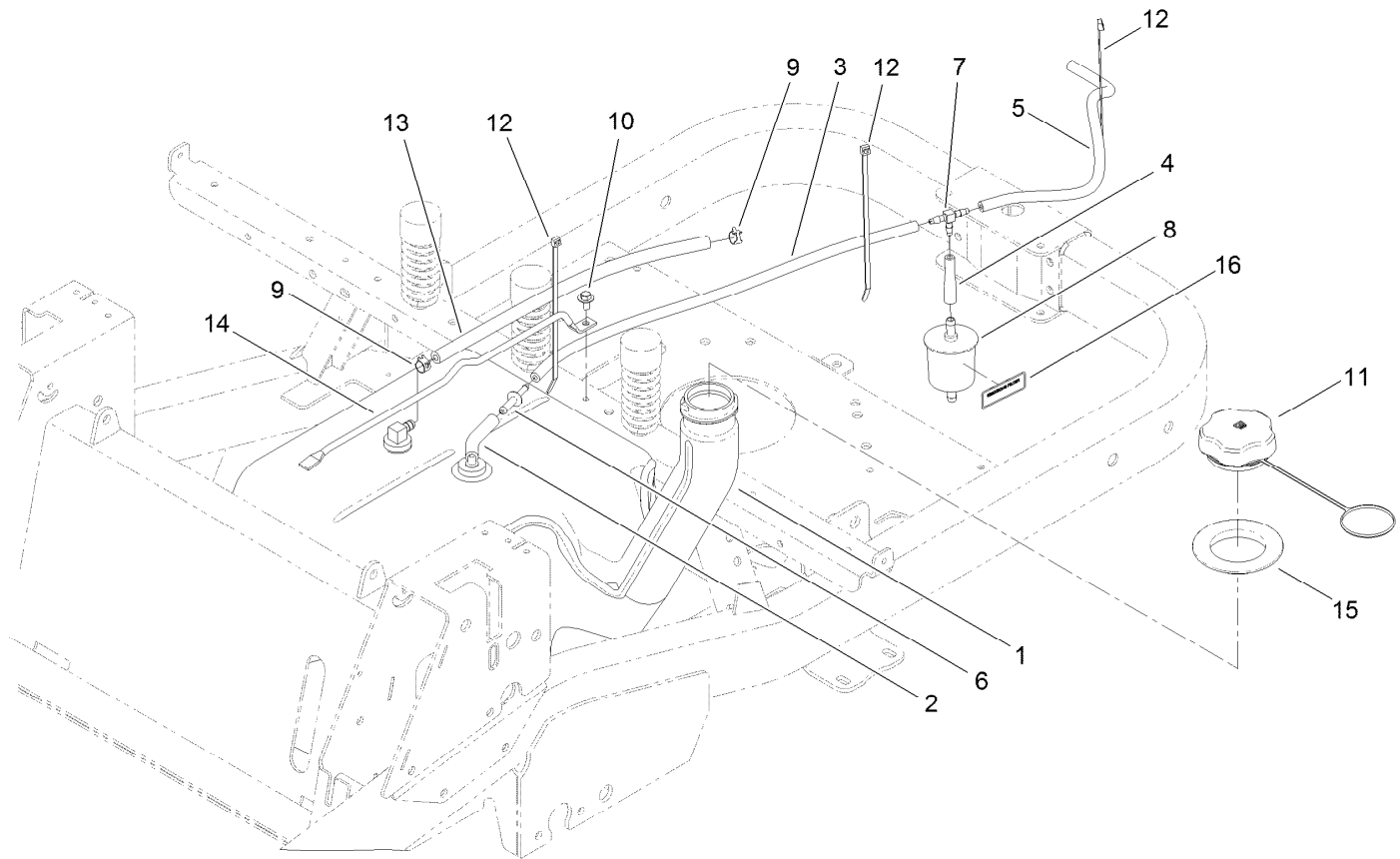
Engine, Muffler and Clutch Assembly

Ref.	Part Number	Qty.	Description
1		1	Engine-Kawasaki, Fr691V-Bs12-R ●■
1:1	1-653313	2	Gasket-Exhaust
1:2	114-3549	4	Nut
1:3	114-3550	4	Washer-Lock, Spring
3	117-7465	1	Muffler-Kawasaki Twin
4	115-2568	1	Pulley-Engine
5	117-7344-03	1	Bracket-Stop, PTO
6	119-8941	1	Clutch-PTO

Ref.	Part Number	Qty.	Description
8	3212-13	1	Screw-HH
9	323-50	4	Bolt-HH
10	117-7335-03	1	Tube-Stiffener
11	104-8300	1	Nut-Flange, NI
12	104-8301	3	Nut-Flange, NI
14	110-9981	1	Washer-Plain
15	3234-47	1	Screw-HHF
16	106-7022	1	Tube-Drain, Oil
17	323-6	3	Screw-HH

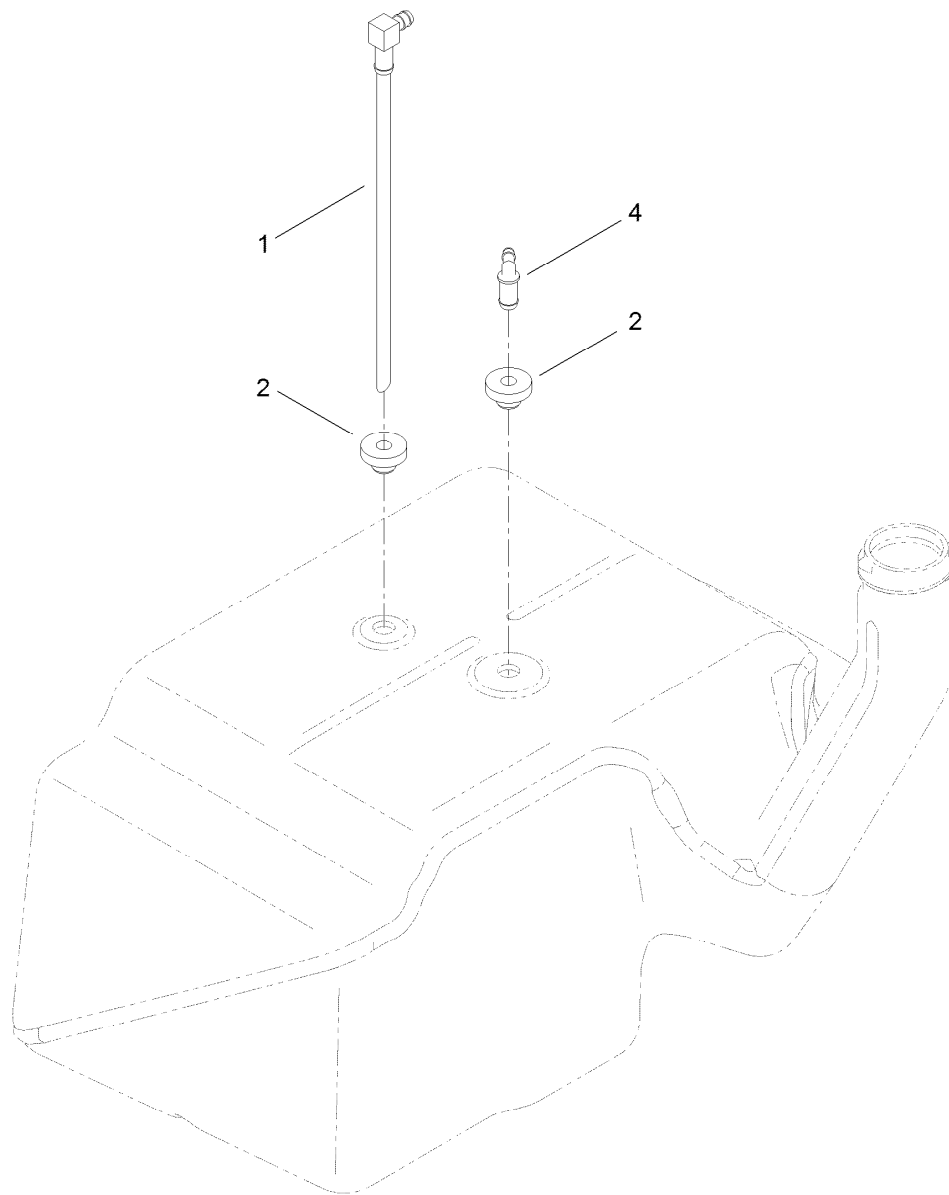
● Not serviced separately

■ Obtain parts from www.kawpowerepc.com



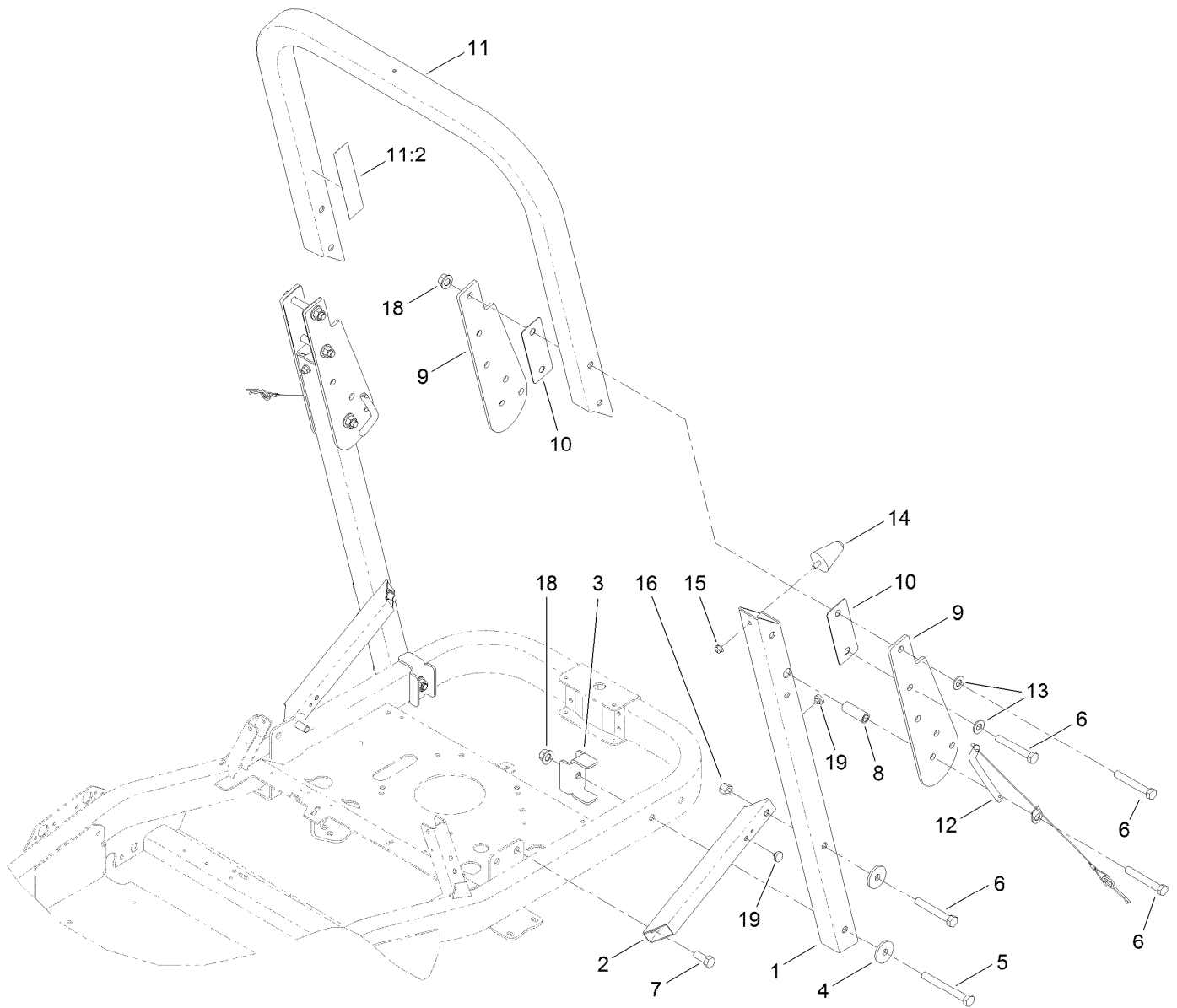
Fuel Delivery Assembly

<i>Ref.</i>	<i>Part Number</i>	<i>Qty.</i>	<i>Description</i>	<i>Ref.</i>	<i>Part Number</i>	<i>Qty.</i>	<i>Description</i>
1	117-7352	1	Multi Layer Fuel Tank ASM	9	2412-98	2	Clamp
2	114-3765	1	Hose-Fuel	10	46-8560	1	Screw-HHFTF
3	119-8150	1	Hose-Fuel	11	114-0294	1	Cap-Fuel, Ratcheting
4	120-2272	1	Hose-Fuel, Molded	12	614249	3	Strap-Tie
5	119-8150	1	Hose-Fuel	13	107-0589	1	Hose-Fuel
6	117-5399	1	Adaptor-Orifice	14	115-2620	1	Rod-Tank, Gas
7	120-2234	1	Fitting-Tee	15	117-1298	1	Seal-Tank
8	120-2235	1	Filter-Air	16	116-4769	1	Decal-Filter, Emissions



Multi Layer Fuel Tank Assembly No. 117-7352

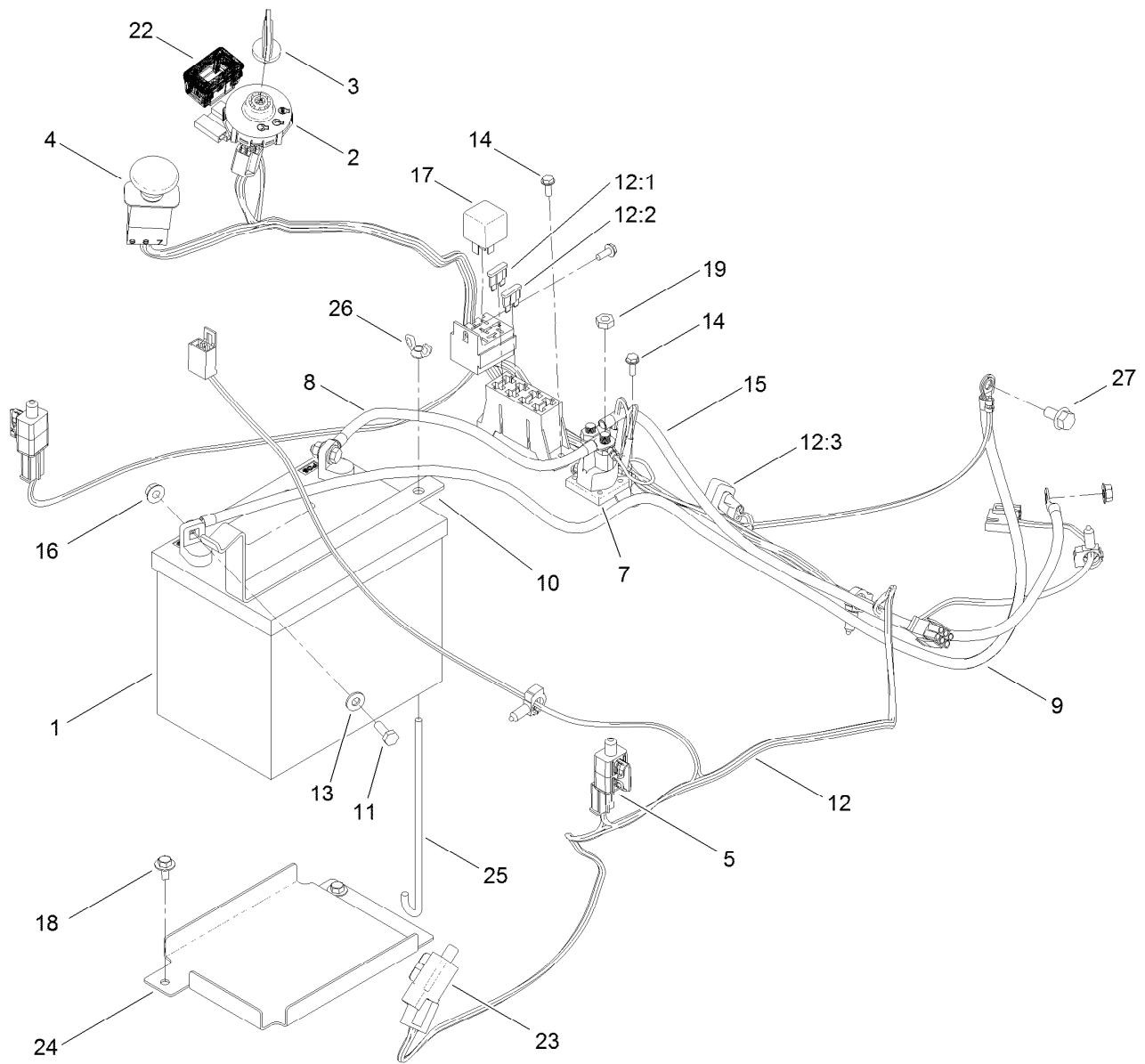
<i>Ref.</i>	<i>Part Number</i>	<i>Qty.</i>	<i>Description</i>
1	115-2564	1	Tube-Drop
2	46-6560	2	Bushing
4	117-7400	1	Fitting-Plastic



Roll-Over Protection System Assembly

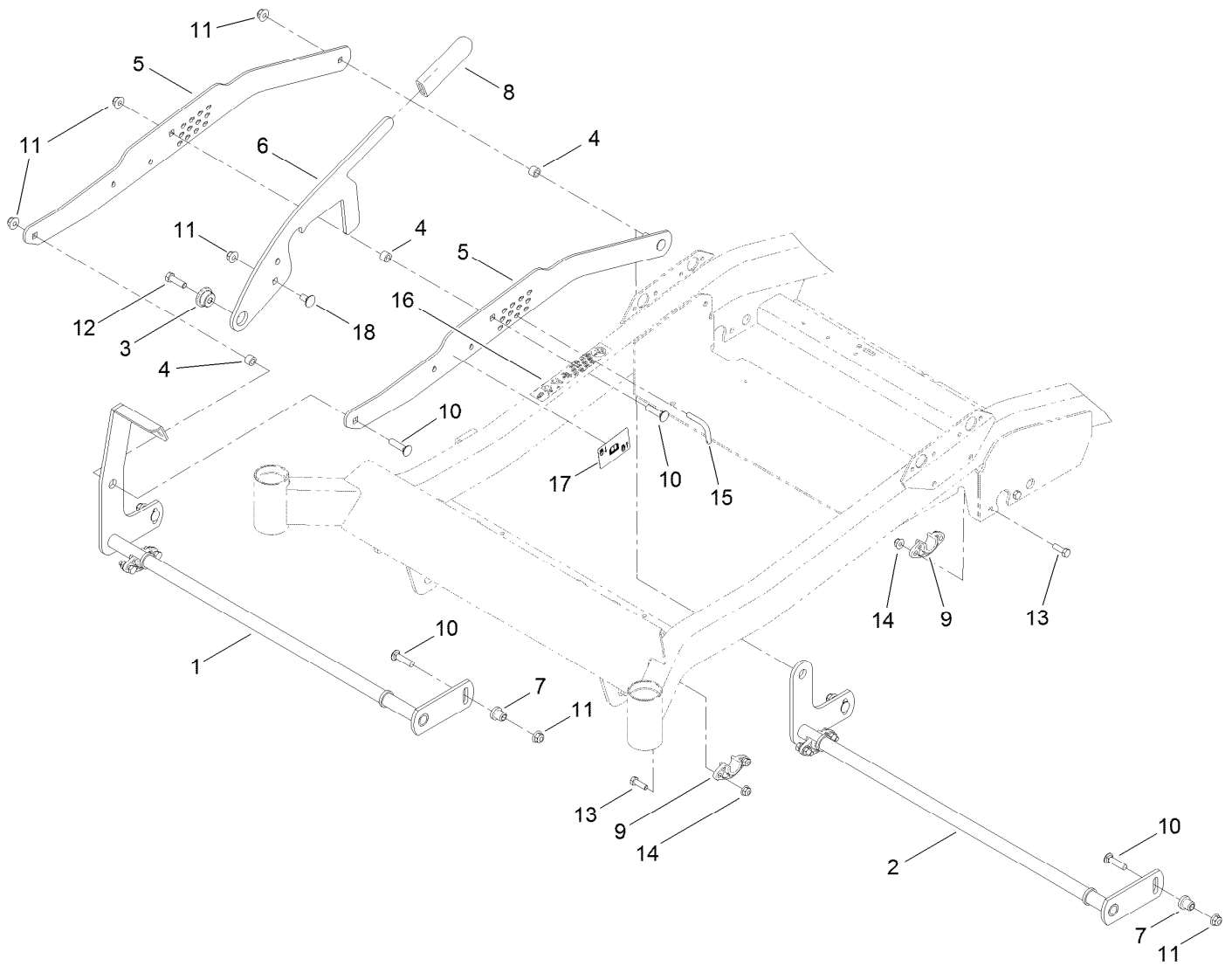
Ref.	Part Number	Qty.	Description
1	119-8906-03	2	Tube-ROPS, Lower
2	115-4962-03	2	Tube-Support, ROPS
3	115-4963-03	2	Bracket-Reinforcing
4	84-1560	4	Washer-Thrust
5	325-18	2	Screw-HH
6	325-14	8	Screw-HH
7	325-5	2	Screw-HH
8	109-6653	2	Spacer
9	119-8911-03	4	Bracket-Pivot, ROPS
10	119-8926-03	4	Spacer-ROPS

Ref.	Part Number	Qty.	Description
11	119-8991	1	Upper ROPS ASM
11:2	107-3069	1	Decal-Warning, Folding ROPS
12	119-8970	2	Pin-ROPS
13	3256-26	4	Washer-Flat
14	114-1925	2	Bumper-Rubber
15	104-8300	2	Nut-Flange, NI
16	119-8969	2	Nut-Hex
18	99-5107	10	Nut-Lock
19	1-513658	4	Bumper



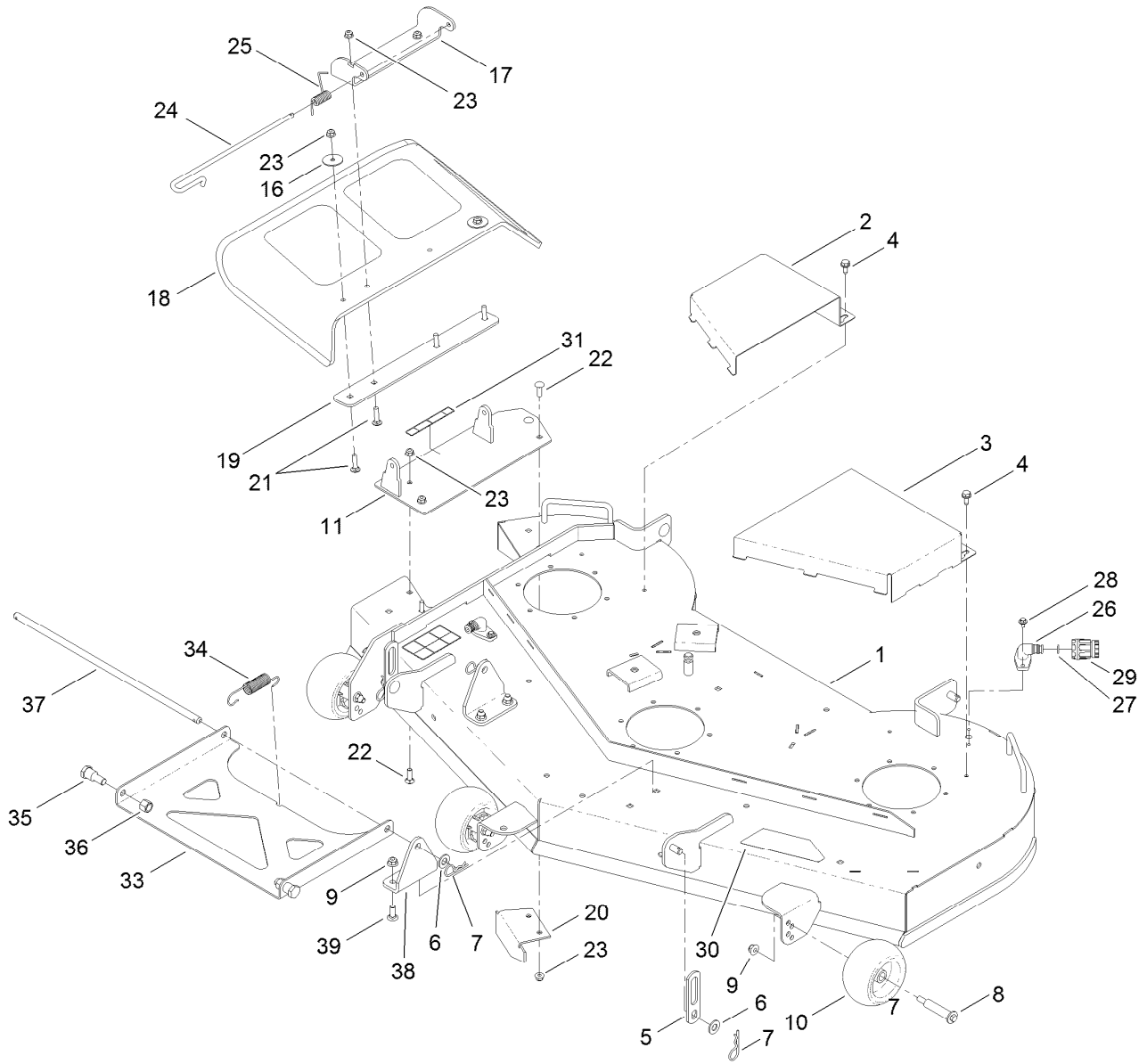
Electrical Assembly

<i>Ref.</i>	<i>Part Number</i>	<i>Qty.</i>	<i>Description</i>	<i>Ref.</i>	<i>Part Number</i>	<i>Qty.</i>	<i>Description</i>
1	104-2493	1	Battery	13	3256-22	2	Washer-Flat
2	117-2221	1	Switch-Ignition	14	32144-1	5	Screw-Taptite
3	63-8360	1	Key-Ignition	15	92-6989	1	Wire-21 Inch
4	93-9998	1	Switch-PTO	16	32128-33	3	Nut-HF
5	110-6765	2	Switch-Single Pole No	17	98-7249	1	Relay
7	117-1197	1	Solenoid	18	46-8560	2	Screw-HHFTF
8	117-5342	1	Cable-Battery, Positive	19	3220-2	2	Nut-Jam
9	117-7240	1	Cable-Battery, Negative	22	120-2244	1	Hourmeter
10	117-7313-01	1	Strap-Battery	23	99-7408	1	Switch-Reverse
11	321-4	2	Screw-HH	24	117-1283-03	1	Tray-Battery
12	117-7243	1	Harness-Wire	25	1-633651	1	Bolt-Holddown
12:1	109103	1	Fuse-Blade, 30 Amp	26	1-543792	1	Wingnut
12:2	109102	1	Fuse-Blade, 25 Amp	27	33104-016	1	Screw-HHF
12:3	100-4918	1	Diode				



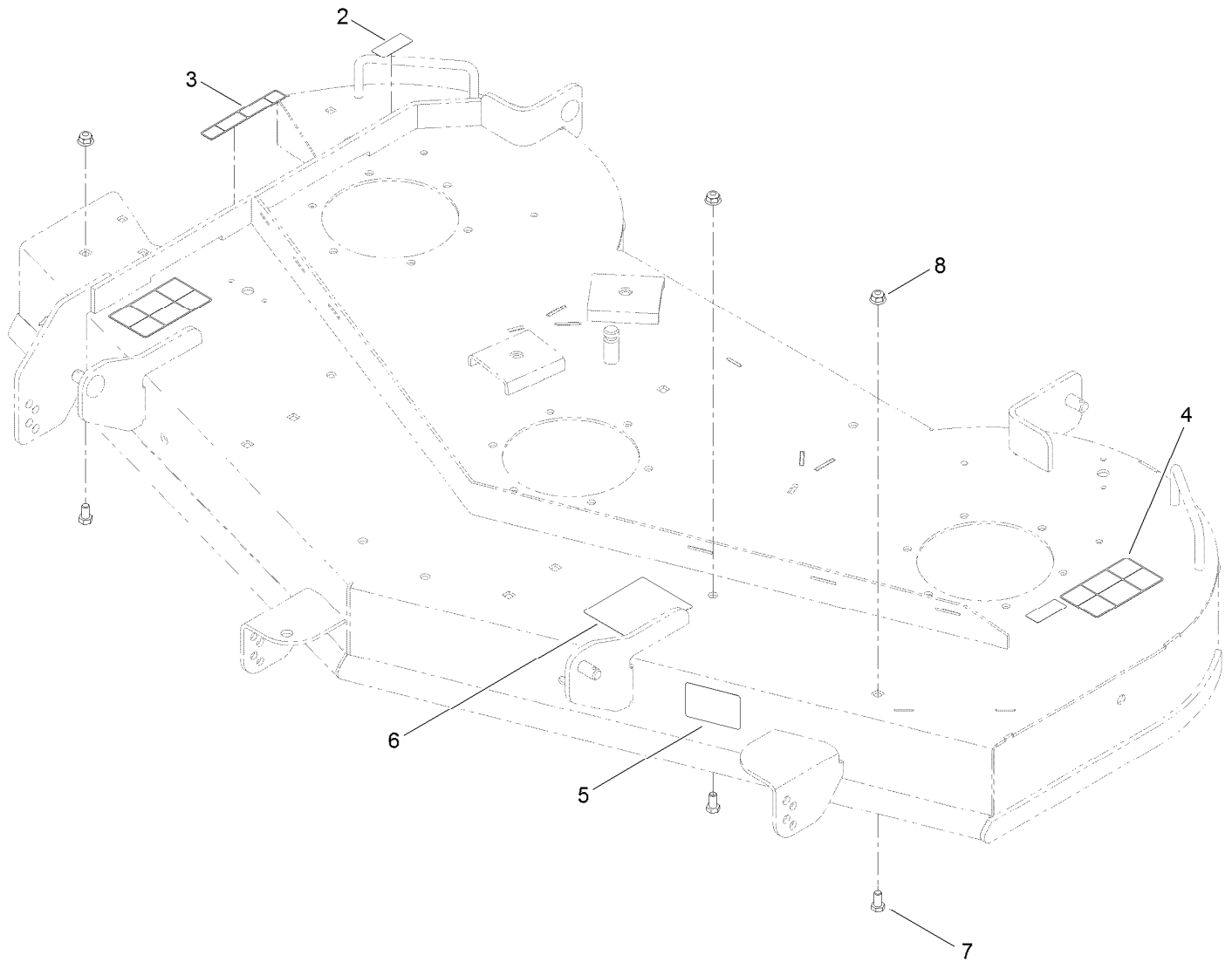
Deck Lift Assembly

Ref.	Part Number	Qty.	Description	Ref.	Part Number	Qty.	Description
1	115-2495-03	1	Pivot-Front	10	3231-4	7	Screw-CARR
2	115-2498-03	1	Pivot-Rear	11	104-8301	8	Nut-Flange, NI
3	117-1281	1	Bushing-Mount, HOC	12	323-7	1	Screw-HH
4	115-4986	3	Spacer	13	322-5	8	Screw-HH
5	115-2503-03	2	Plate-Lift, Foot	14	104-8300	8	Nut-Flange, NI
6	115-2504	1	Plate-Stop, HOC	15	117-1280	1	Pin-Keyed
7	65-5950	4	Bushing-Pulley	16	115-9644	1	Decal-HOC
8	1-633268	1	Grip-Lever	17	117-5344	1	Decal-Lock, Deck
9	115-5065	4	Bushing-Flange	18	3231-1	1	Screw-CARR



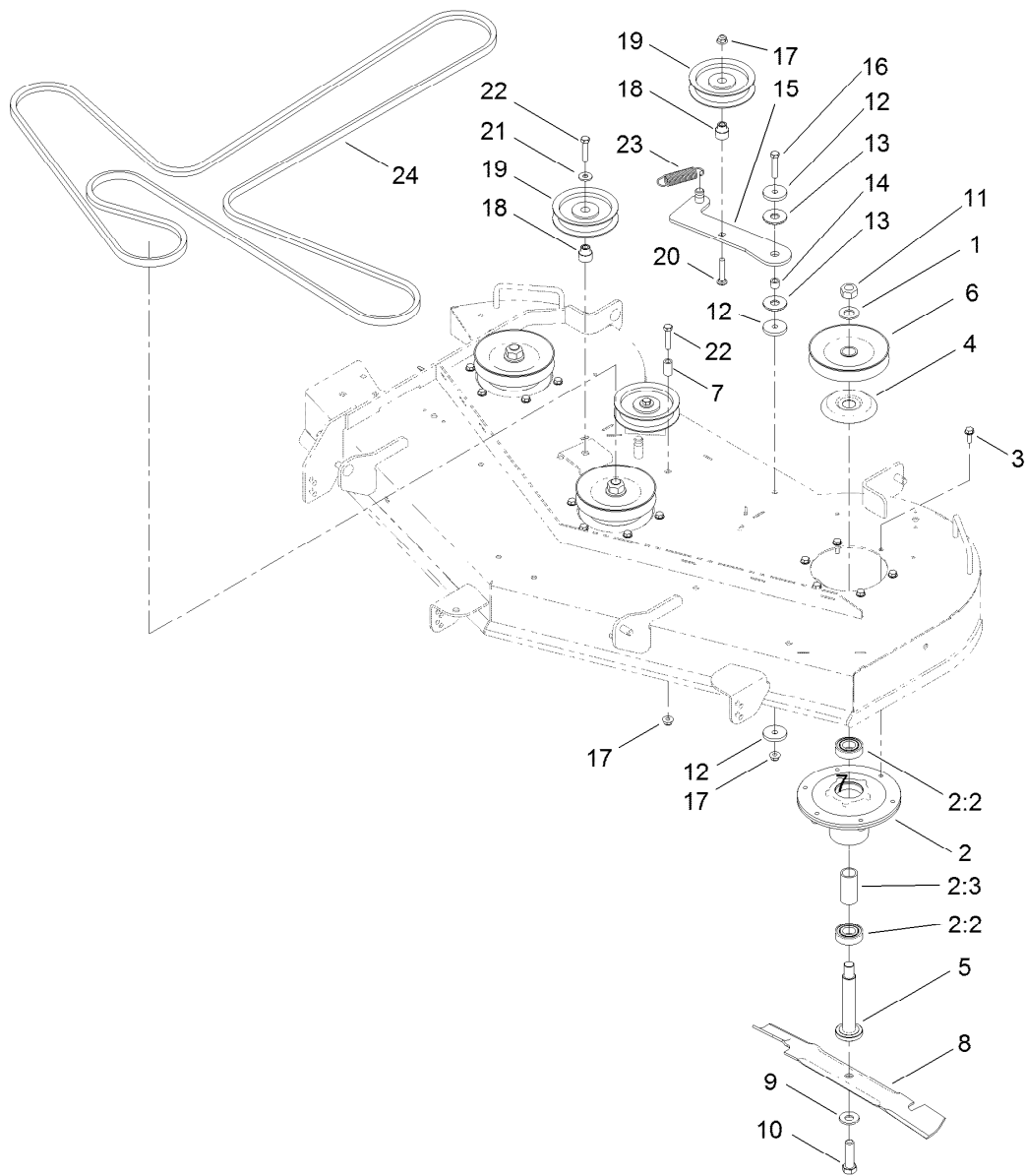
54 Inch Deck Assembly

Ref.	Part Number	Qty.	Description	Ref.	Part Number	Qty.	Description
1	120-7117	1	54 Inch Deck And Decal ASM	22	3230-22	4	Screw-CARR
2	117-7404-03	1	Cover-Belt, RH	23	104-8300	8	Nut-Flange, NI
3	117-7405-03	1	Cover-Belt, LH	24	109-8854	1	Pin-Chute
4	32144-70	4	Screw-HWHTF	25	115-9641	1	Spring-Torsion
5	119-8949	4	Link-Lift	26	95-2747	2	Fitting-Washout
6	3256-26	6	Washer-Flat	27	46-6290	2	O-Ring, Seal
7	1-806005	6	Pin-Hair	28	46-8560	4	Screw-HHFTF
8	112-3977	3	Bolt-Shoulder	29	95-3270	1	Connector-Hose
9	104-8301	7	Nut-Flange, NI	30	117-5302	1	Decal
10	1-603299	3	Roller-Scalp, Anti	31	93-7009	1	Decal-Danger, Deflector
11	117-1282-03	1	Plate-Cover	33	115-5027-01	1	Pan-Pivot, Deck
16	3256-68	2	Washer-Flat	34	115-9652	1	Spring-Extension
17	114-1648-03	1	Bracket-Deflector, Upper	35	94-5823	2	Bolt-Shoulder, HH
18	117-1270	1	Deflector-Molded	36	3296-23	2	Nut-Lock, NI
19	115-5048-03	1	Plate-Deflector	37	115-5030	1	Rod-Deck, Pivot
20	115-9653-03	1	Baffle-Cutoff	38	119-8946-01	2	Bracket-Pivot, Front
21	3230-3	4	Screw-CARR	39	3231-22	4	Screw-CARR



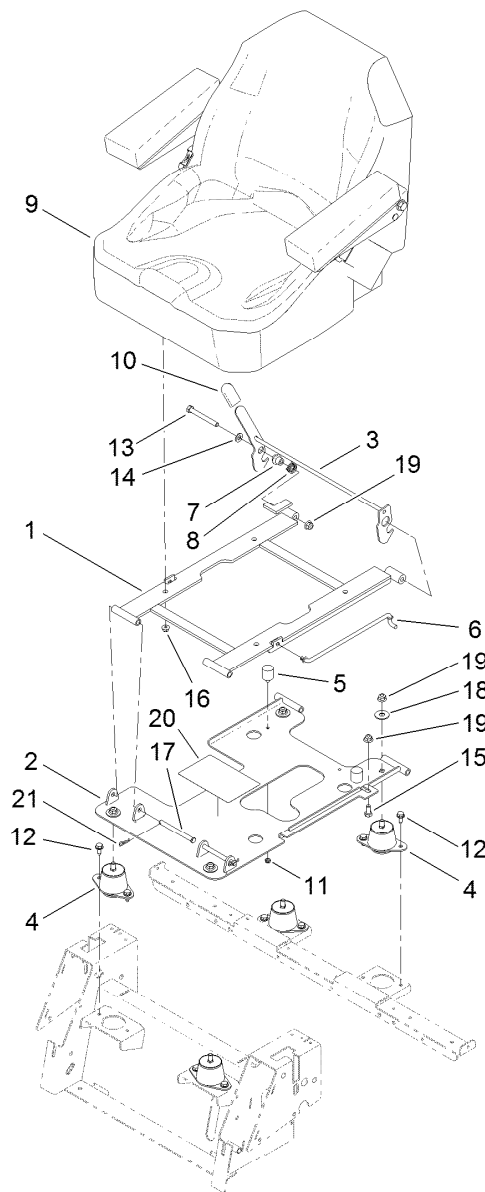
54 Inch Deck and Decal Assembly No. 120-7117

<i>Ref.</i>	<i>Part Number</i>	<i>Qty.</i>	<i>Description</i>
2	114-1606	2	Decal-Danger, Pulley
3	93-7009	1	Decal-Danger, Deflector
4	110-6691	2	Decal-Danger
5	112-9840	1	Decal-Scalp, Anti
6	117-1194	1	Decal-Routing, Belt
7	322-2	3	Screw-HH
8	104-8300	3	Nut-Flange, NI



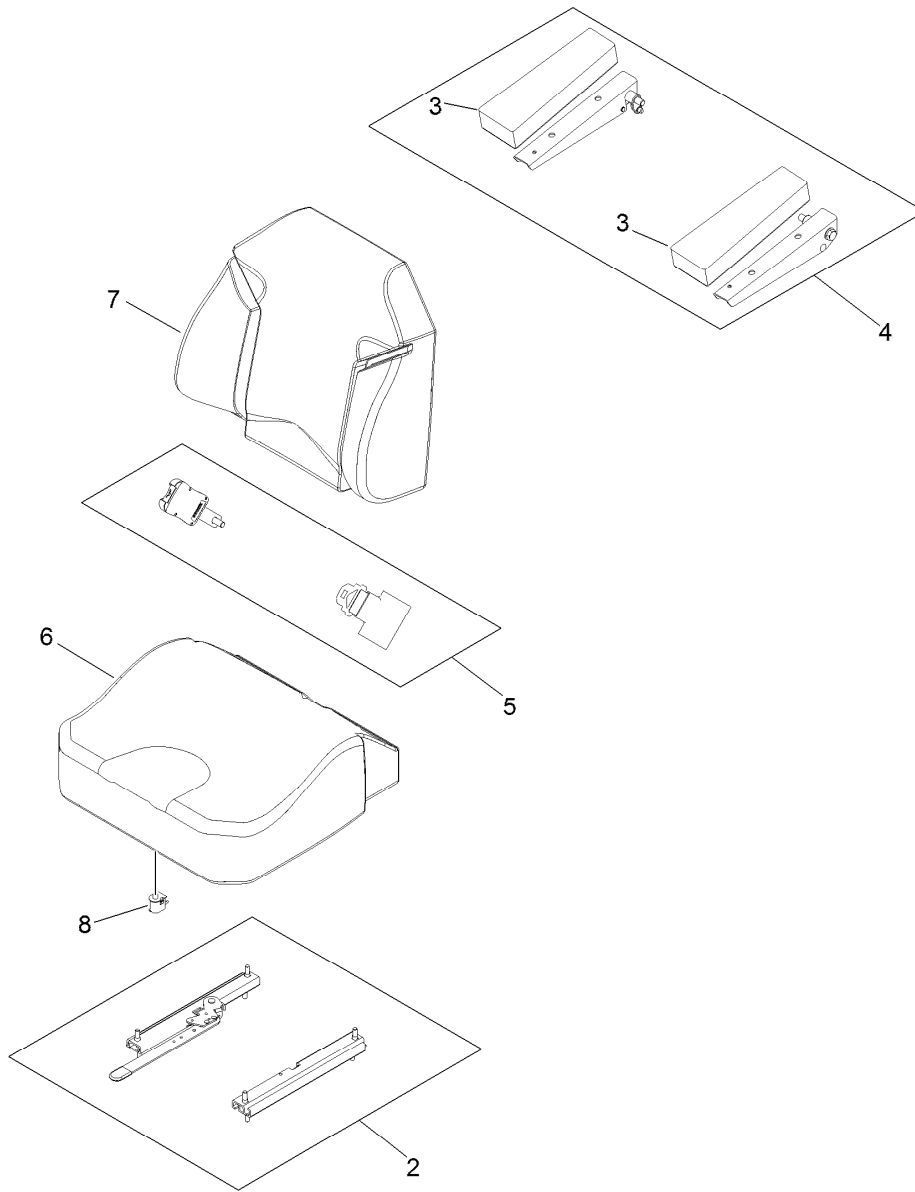
54 Inch Deck Belt and Hi-Flo Blade Assembly

Ref.	Part Number	Qty.	Description	Ref.	Part Number	Qty.	Description
1	7-4150	3	Washer	12	110-9981	3	Washer-Plain
2	120-5477	3	Spindle ASM	13	114-0463	2	Washer-Friction, Composite
2:2	116-0720	2	Bearing-Ball, 25Mm	14	1-413088	1	Bushing-Lever, Lift
2:3	115-2641	1	Spacer-Bearing	15	115-5054	1	Idler Arm ASM
3	32144-41	18	Screw-Taptite	16	323-10	1	Screw-HH
4	117-7210	3	Shield-Bearing	17	104-8301	3	Nut-Flange, NI
5	115-2642	3	Shaft-Spindle	18	115-2577	3	Bushing-Idler
6	115-5018	3	Pulley	19	116-3626	3	Pulley-Idler
7	1-603401	1	Spacer-Fender	20	3231-6	1	Screw-CARR
8	115-9650-03	3	Blade-Hi Flo, 18.75 Inch	21	80-6990	2	Washer-Hardened
9	22-8520	3	Washer-Belleville	22	323-9	3	Screw-HH
10	51-4060	3	Screw-Blade	23	108-4056	1	Spring-Extension
11	3219-7	3	Nut-Hex	24	115-4971	1	V-Belt



Seat Assembly

<i>Ref.</i>	<i>Part Number</i>	<i>Qty.</i>	<i>Description</i>	<i>Ref.</i>	<i>Part Number</i>	<i>Qty.</i>	<i>Description</i>
1	117-7441-03	1	Seat Pan ASM	12	32144-70	8	Screw-HWHTF
2	117-7449-03	1	Seat Base ASM	13	323-20	1	Screw-HH
3	119-8918	1	Latch ASM	14	3256-24	1	Washer-Flat
4	109-9034	4	Isolator-Seat	15	323-4	1	Screw-HH
5	106-5891	2	Bumper	16	104-8300	4	Nut-Flange, NI
6	116-0070	1	Rod-Prop	17	100-1413	2	Pin-Clevis
7	107-0075	1	Bushing-Latch, Seat	18	3256-5	4	Washer-Flat
8	110-5831	1	Spring-Torsion	19	104-8301	6	Nut-Flange, NI
9	116-0038	1	Seat ASM	20	115-9630	1	Decal-Maintenance
10	103-4434	1	Grip-Lever	21	1-806003	2	Pin-Cotter, Hair
11	3296-56	2	Nut-Lock, NI				



Seat Assembly No. 116-0038

<i>Ref.</i>	<i>Part Number</i>	<i>Qty.</i>	<i>Description</i>
2	109-9801	1	Seat Track Set
3	109-9814	1	Arm Rest Pads Set
4	109-9816	1	Arm Rest Kit
5	109-9805	1	Seat Belt Kit
6	109-9819	1	Cover-Cushion
7	109-9810	1	Cover-Back
8	82-2190	1	Switch-Bail

Attachments and Accessories

For 74872 TITAN MX5480 Zero-Turn-Radius Riding Mower

Product Name	Model/Part
54in Recycler Kit.....	117-5313
Hitch Kit	117-5315
Step Kit	117-5316
Light Kit.....	117-5317
54in/60in Striping Kit.....	117-5319
Leaf Bagging Enhancement Kit	117-7202
54in Bagger Finishing Kit.....	120-7123
Bagger.....	79326
10 cu. ft. Poly Dump Cart.....	79991

Notes:



Count on it.