



Count on it.

Parts Catalog

LX468 Lawn Tractor

Model No. 13AP91RT848—Serial No. 1 and Up

Ordering Replacement Parts

To order replacement parts, please supply the part number, the quantity, and the description of each part desired.

Understanding Reference Numbers

Each identified part in an illustration has a reference number. The reference number for a part also appears in the parts list, along with other information about the part.

This catalog uses two special reference number formats, one to indicate parts in a service assembly and another to indicate the quantity of a given part in an illustration.

Service Assembly Reference Numbers

Parts in service assemblies have reference numbers in the form a:b. The a represents the reference number of the entire service assembly and the b represents a sequential number unique to each part within the service assembly.

For example, a wheel assembly might be identified by reference number 6, the tire by 6:1, the valve by 6:2, and the wheel by 6:3. When you order the assembly identified by reference number 6, you receive all parts identified by reference numbers 6:1, 6:2, and 6:3. However, you may also order any part individually. Reference numbers of this type appear in illustration and in parts lists.

Reference Numbers Indicating Quantity

In an illustration, if a reference number indicates more than one part, the reference number has the form nX y. The n represents the quantity of the part, the X is the multiplication symbol, and the y represents the reference number.

For example, in an illustration, the reference number 2X 37 means that two of the parts identified by reference number 37 are indicated.

List of Abbreviations

AR: as required

ASM: assembly

BBC: blade brake control

BHTF: button head thread forming

CARR: carriage

CCW: counter clockwise

CW: clockwise

DEG: degrees

DPA: Dual Point Adjustment

ECM: electronic control module

EXT: external

FH: flat head

GA: gauge

HD: heavy-duty

HF: hex flange

HH: hex head

HHF: hex head flange

HHFTF: hex head flange thread forming

HJ: hex jam

HLH: hex lag head

HOC: height-of-cut

HSBH: hex socket button head

HSFH: hex socket flat head

HSH: hex socket head

HWH: hex washer head

HWTF: hex washer head thread forming

HYD: hydraulic

LH: left hand

LP: Liquid Propane

NI: nylon insert

NPTF: national pipe thread fine

PFH: phillips flat head

PPH: phillips pan head

PPHTF: phillips pan head thread forming

PRH: phillips round head

PTH: phillips truss head

PTO: power-take-off

RH: right hand

ROPS: roll-over protection system

RRB: rear roller brush

SFH: slotted fillister head

SHH: slotted hex head

SHWH: slotted hex washer head

SPH: slotted pan head

SQH: square head

SRH: slotted round head

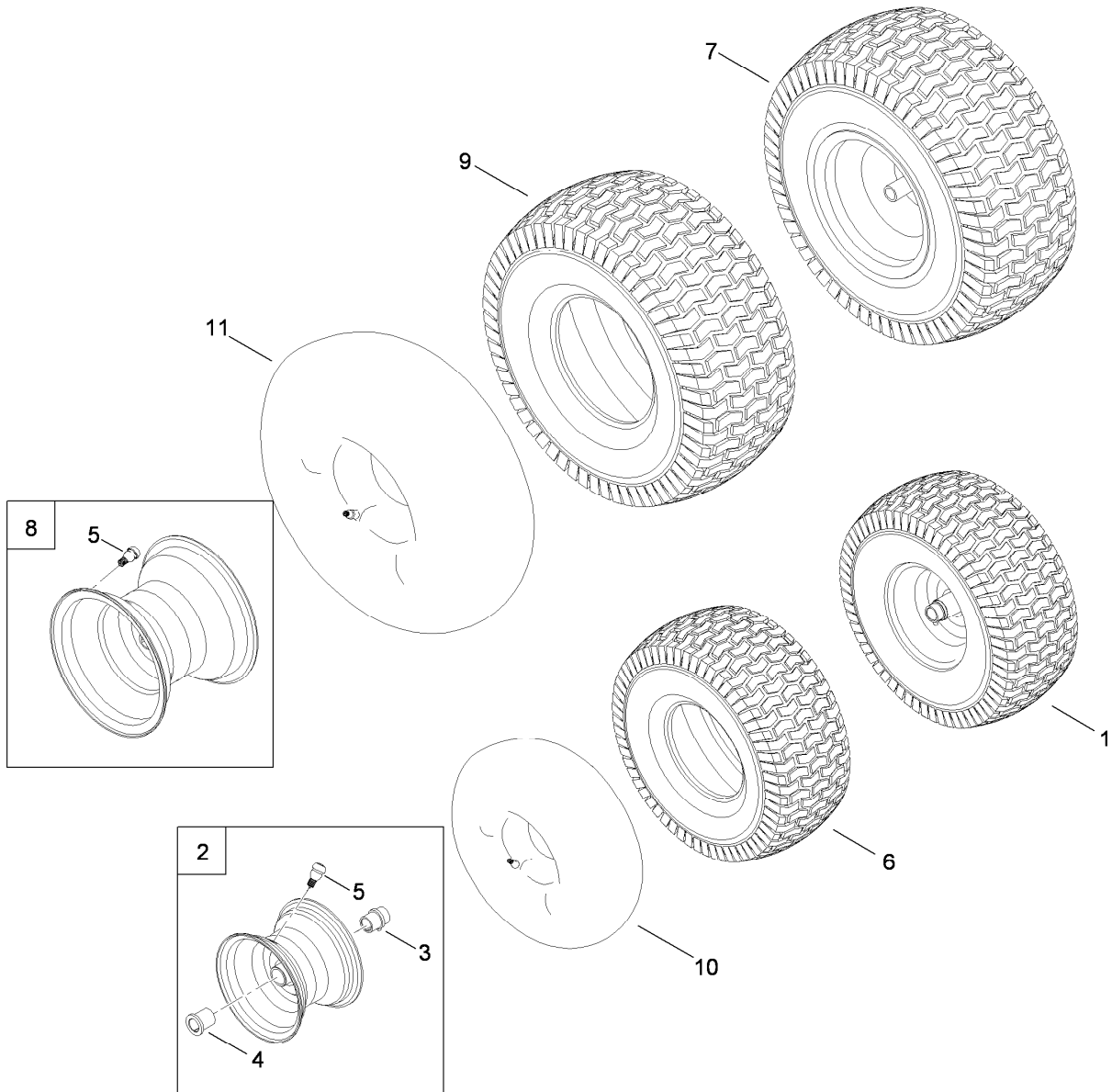
STD: standard

TAP: self tapping

TTH: torx truss head

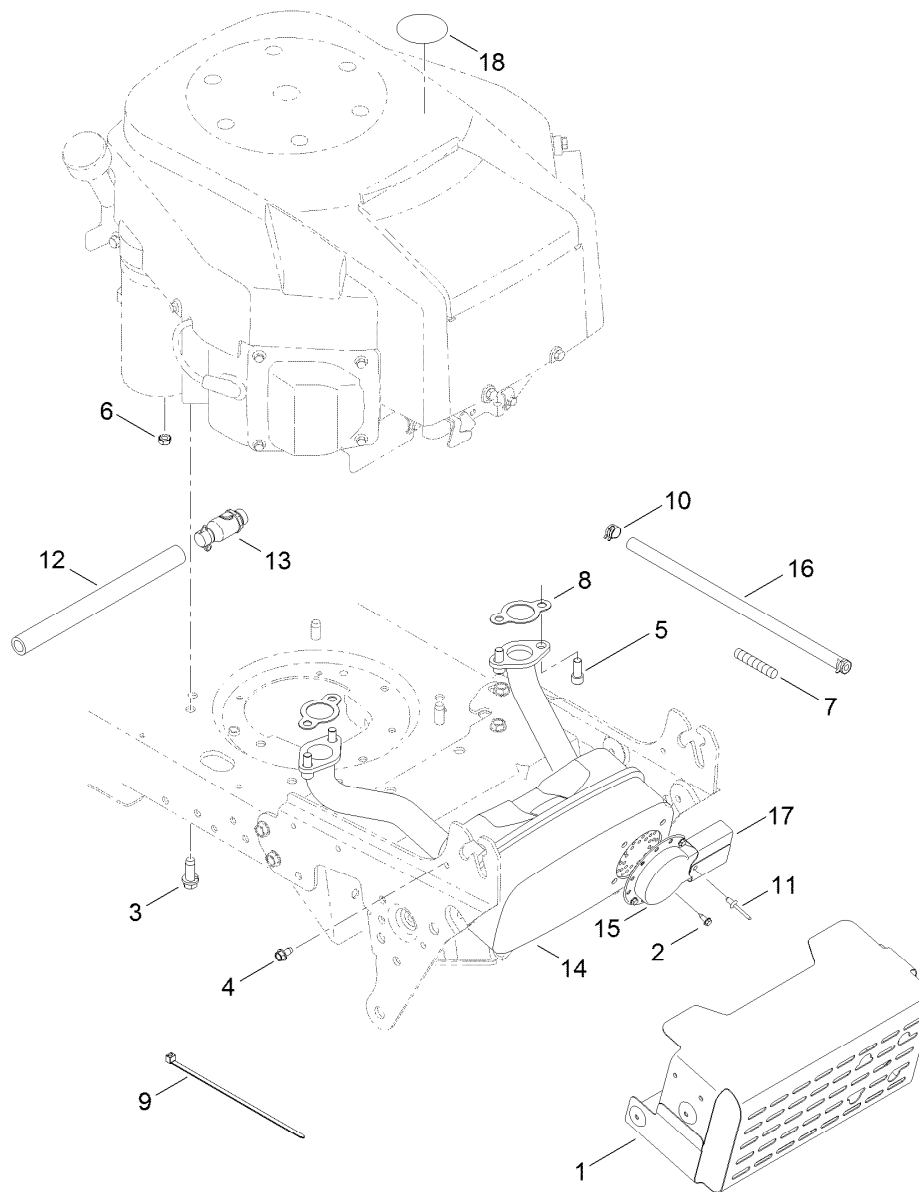
Contents

Wheel and Tire Assembly	4
Engine Component Assembly	5
Steering and Front Axle Assembly	6
Frame, Battery and Electric PTO Assembly	8
Seat, Fender and Deck Lift Assembly	10
Fuel Tank, Hood and Dash Assembly	12
Transmission, Belt and Drive Assembly	14
Transmission Assembly No. 112-6019	16
46 Inch Deck Assembly	18
Attachments and Accessories	20



Wheel and Tire Assembly

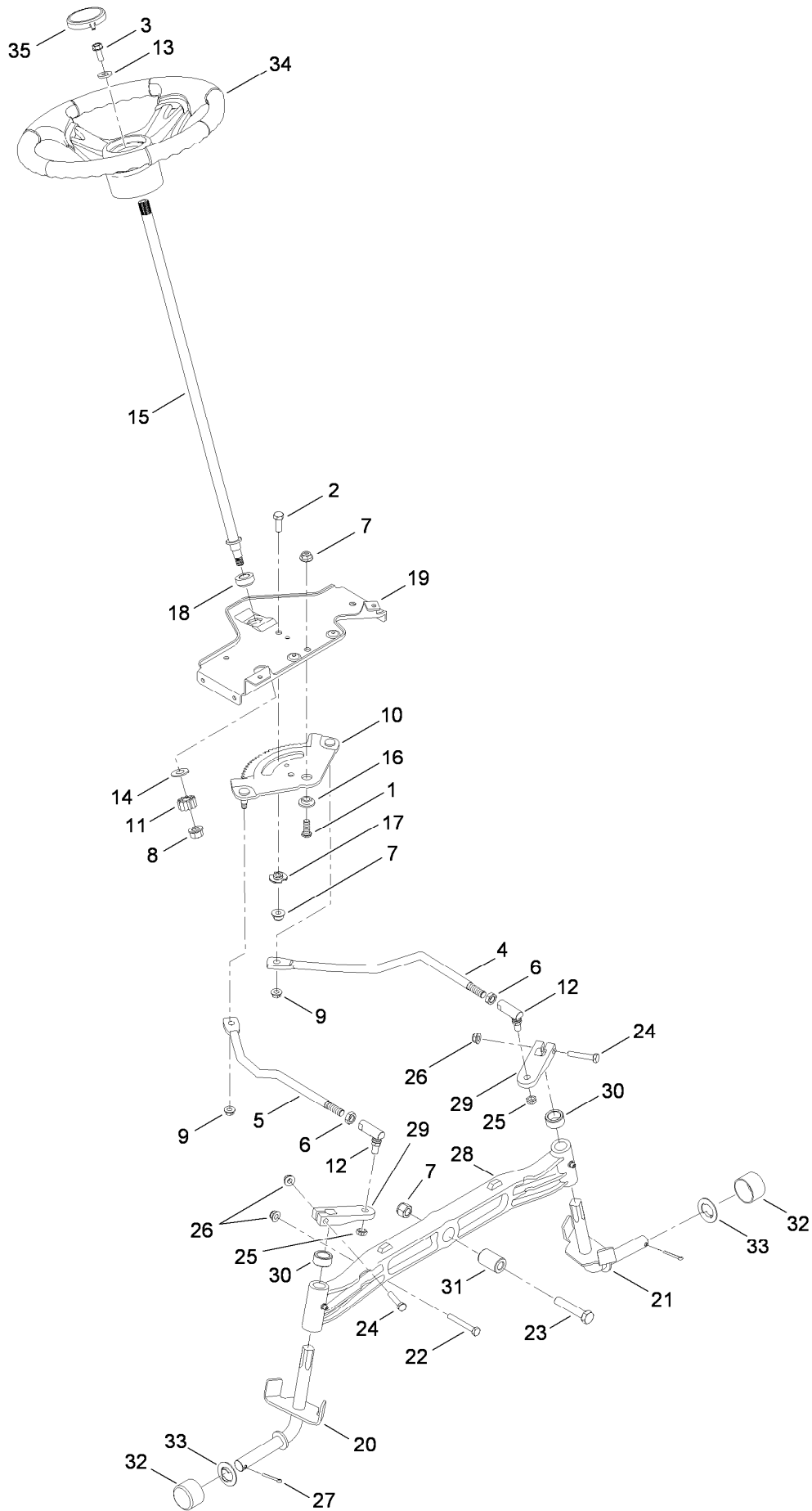
Ref.	Part Number	Qty.	Description
1	119-3969	1	Front Wheel And Tire ASM
2	119-3970	1	Rim ASM (W/Bearings)
3	112-0375	1	Bearing-Flange (W/Zerk)
4	112-0331	1	Bearing-Flange
5	112-0503	1	Valve-Air, Tubeless
6	112-0576	1	Tire-Front
7	119-3971	1	Rear Wheel And Tire ASM
8	112-6201	1	Rim-Wheel, Rear
9	112-0713	1	Tire-Multi Trac
10	232-39	1	Tube-Inner
11	93-3893	1	Tube-Inner



Engine Component Assembly

<i>Ref.</i>	<i>Part Number</i>	<i>Qty.</i>	<i>Description</i>	<i>Ref.</i>	<i>Part Number</i>	<i>Qty.</i>	<i>Description</i>
1	112-6202	1	Shield-Muffler	10	112-0573	1	Clamp-Hose
2	112-0626	1	Screw-HWHTF	11	112-3741	1	Rivet-Pop
3	112-6163	1	Screw-HH, TAP	12	112-0553	1	Hose-Drain
4	112-0524	1	Screw-HWHTF	13	110-9890	1	Drain-Oil
5	112-6012	1	Screw-HSH	14	112-6164	1	Muffler-Twin
6	112-0546	1	Nut-Sems	15	112-0453	1	Deflector-Muffler
7	119-9145	1	Hose-Vent	16	112-0720	1	Hose-Fuel
8	119-9146	1	Gasket-Exhaust	17	119-9147	1	Deflector-Muffler
9	112-0527	1	Tie-Cable	18	112-5960	1	Decal-Check Oil

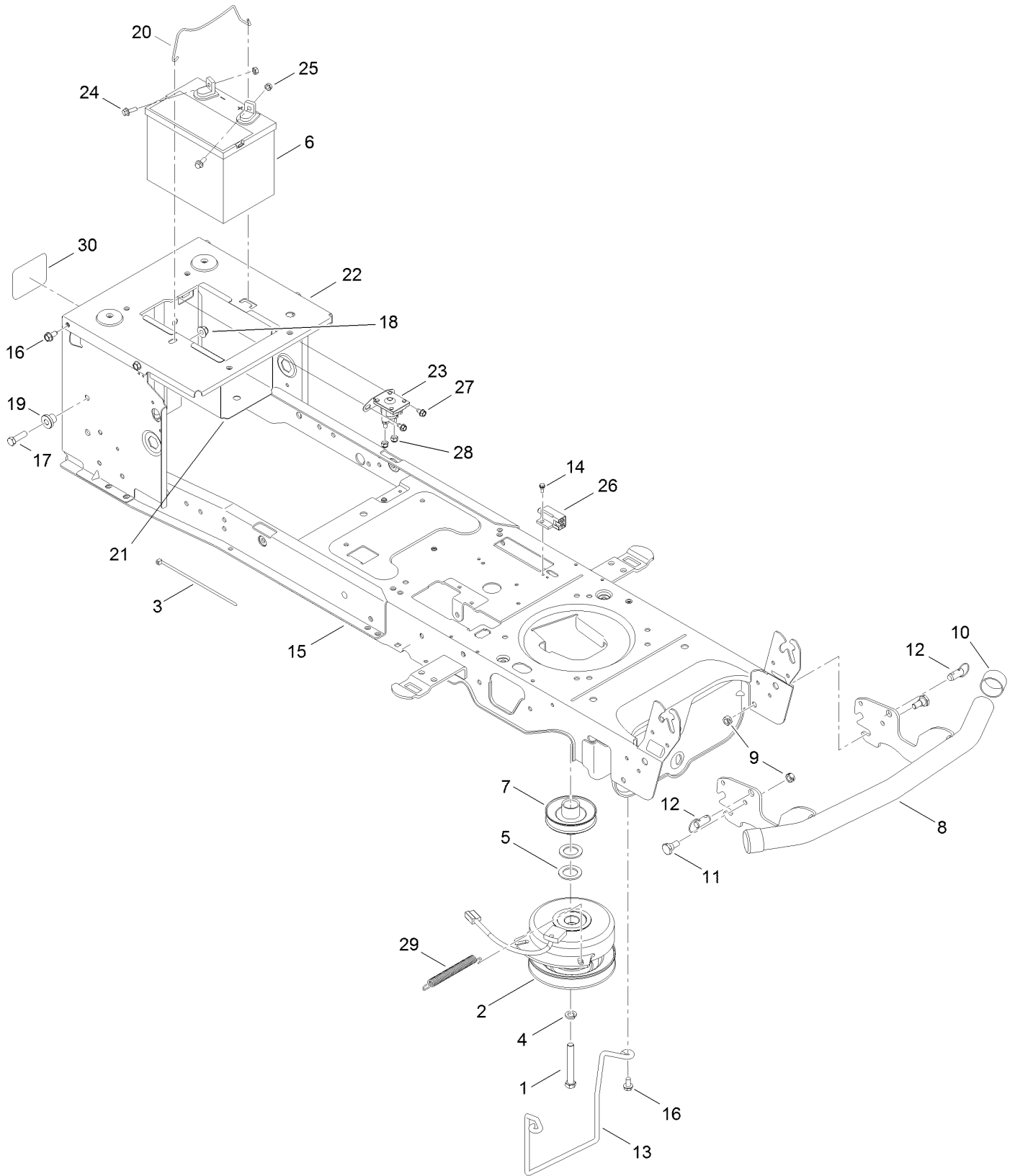
Steering and Front Axle Assembly



Steering and Front Axle Assembly (continued)

<i>Ref.</i>	<i>Part Number</i>	<i>Qty.</i>	<i>Description</i>	<i>Ref.</i>	<i>Part Number</i>	<i>Qty.</i>	<i>Description</i>
1	112-0631	1	Screw-HH	19	119-3979	1	Bracket-Support, Steering
2	112-0492	1	Screw-HH	20	119-9054	1	RH Axle ASM
3	112-0473	1	Screw-HH	21	119-9055	1	LH Axle ASM
4	119-3974	1	Link-Drag, LH	22	112-5843	1	Screw-HH
5	119-3975	1	Link-Drag, RH	23	112-0611	1	Screw-HH
6	112-0493	1	Nut-Jam	24	112-1095	1	Bolt-HH
7	112-0668	1	Nut-Lock, Flange	25	112-0483	1	Nut-Hex, Lock
8	112-0859	1	Nut-Lock, Flange	26	112-0650	1	Nut-Lock, Flange
9	112-0511	1	Nut-Lock, Flange	27	112-0860	1	Pin-Cotter
10	119-3976	1	Gear-Steering	28	119-3982	1	Axle-Cast
11	112-0863	1	Gear-Pinion, Steering	29	119-3983	1	Block-Steering
12	112-0917	1	Ball Joint ASM	30	112-6136	1	Spacer
13	112-0924	1	Washer-Flat	31	119-3984	1	Spacer
14	112-0925	1	Washer-Flat	32	112-5968	1	Cap-Hub
15	112-6097	1	Shaft-Steering	33	112-6258	1	Washer-Flat
16	119-3977	1	Spacer-Shoulder	34	112-0438	1	Wheel-Steering, Softgrip
17	119-3978	1	Spacer	35	112-3734	1	Cap-Wheel, Steering
18	112-6257	1	Bearing-Flange, Hex				

Frame, Battery and Electric PTO Assembly

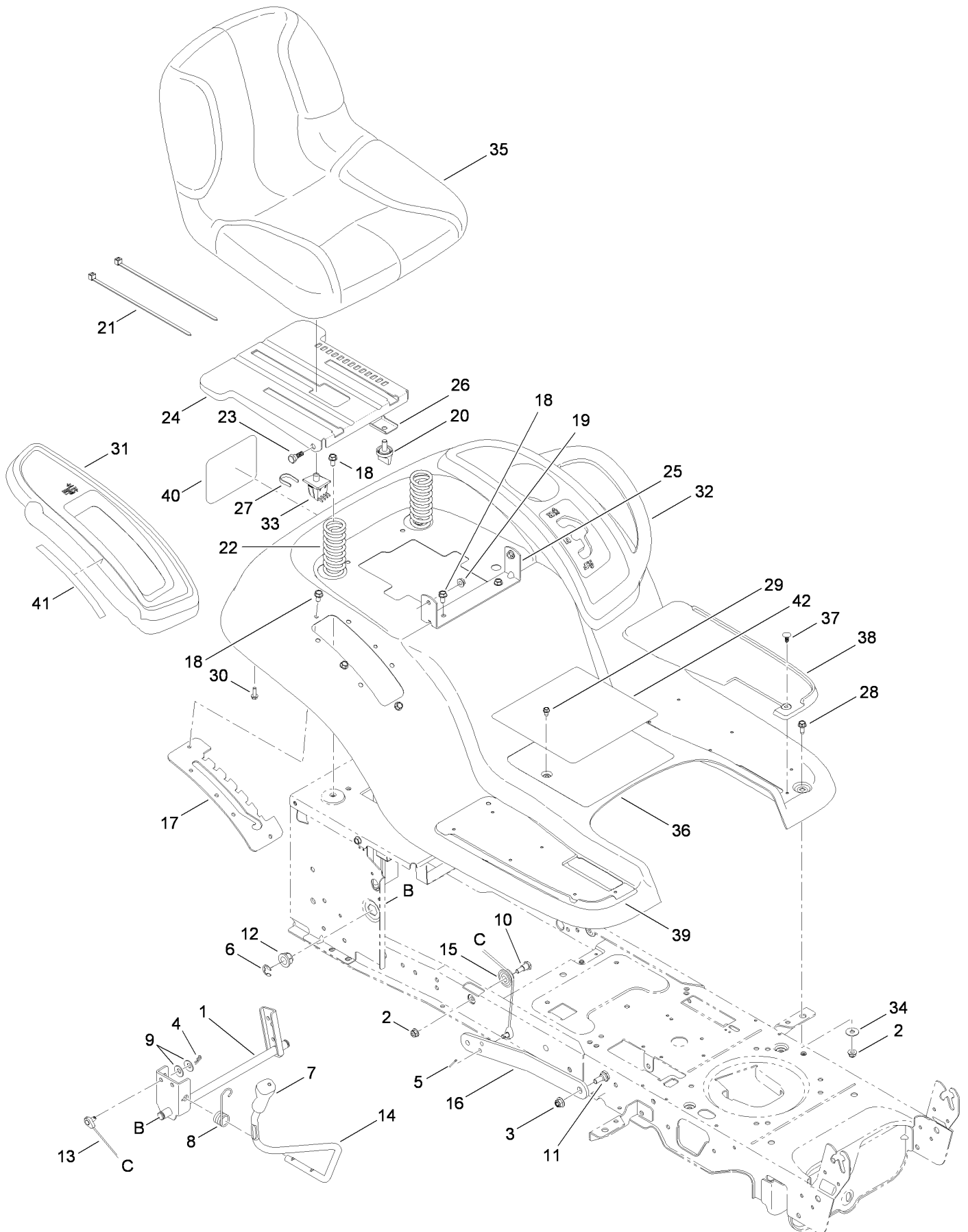


Frame, Battery and Electric PTO Assembly (continued)

<i>Ref.</i>	<i>Part Number</i>	<i>Qty.</i>	<i>Description</i>	<i>Ref.</i>	<i>Part Number</i>	<i>Qty.</i>	<i>Description</i>
1	112-0561	1	Screw-HH	16	112-6070	1	Screw-TAP
2	119-9057	1	Clutch-PTO, Electric	17	112-0557	1	Screw-HH
3	112-0527	1	Tie-Cable	18	112-0668	1	Nut-Lock, Flange
4	112-0428	1	Washer-Lock	19	112-0661	1	Spacer-Shoulder
5	112-0420	1	Washer-Flat	20	112-0581	1	Rod-Holddown, Battery
6	112-0425	1	Battery-245, Cca (Dry Flat Top)	21	112-0570	1	Tray-Battery
7	112-6045	1	Pulley-Engine	22	112-6209	1	Bracket-Frame, Seat
8	119-9071	1	Bumper-Universal	23	112-6073	1	Solenoid-12V, 2 Post 2 Tab
9	112-0909	1	Nut-Lock	24	119-3994	1	Bolt
10	112-5968	1	Cap-Hub	25	112-0546	1	Nut-Sems
11	112-0565	1	Bolt-Shoulder	26	112-6210	1	Switch-Interlock, No/Nc
12	119-3954	1	Pin-Release, Quick	27	112-6022	1	Screw-TAP
13	119-3995	1	Rod-Keeper	28	112-0636	1	Nut-Lock, Flange
14	112-6206	1	Bolt-Shoulder	29	112-6153	1	Spring-Extension
15	119-3993	1	Lower Frame ASM	30	119-8483	1	Decal-Release
				99	119-9058	1	Harness-Wiring ●

● Not illustrated

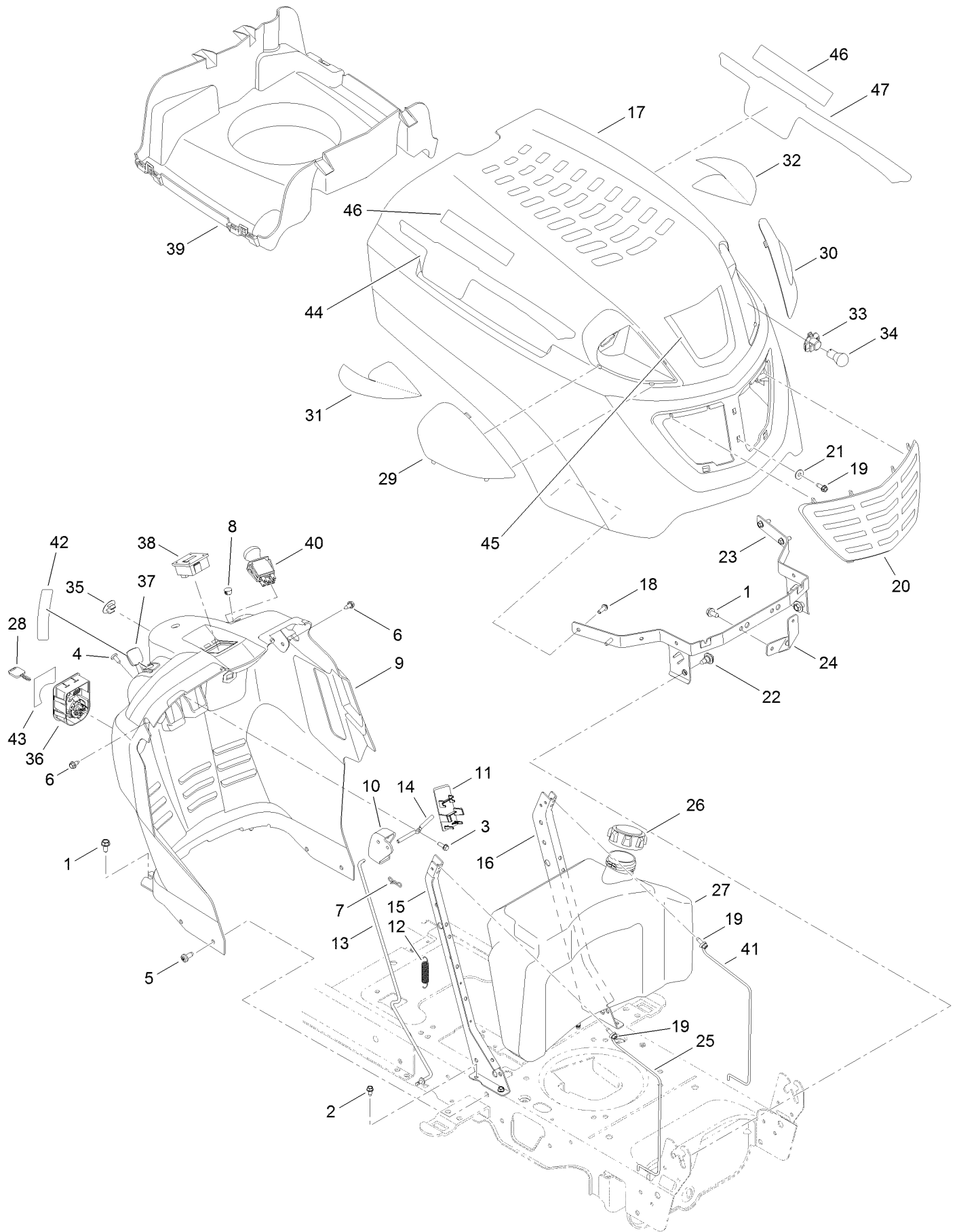
Seat, Fender and Deck Lift Assembly



Seat, Fender and Deck Lift Assembly (continued)

<i>Ref.</i>	<i>Part Number</i>	<i>Qty.</i>	<i>Description</i>	<i>Ref.</i>	<i>Part Number</i>	<i>Qty.</i>	<i>Description</i>
1	112-5969	1	Lift Shaft ASM	23	112-0575	1	Bolt-Shoulder
2	112-0650	1	Nut-Lock, Flange	24	112-6214	1	Bracket-Mount, Seat
3	112-0668	1	Nut-Lock, Flange	25	112-6217	1	Bracket-Pivot, Seat
4	112-0459	1	Pin-Cotter	26	112-6216	1	Bracket-Knob, Adjustment
5	112-0990	1	Pin-Cotter	27	119-8400	1	Clip-Retension
6	112-0586	1	Ring-E	28	112-0373	1	Screw-HH
7	112-0585	1	Grip-Handle	29	112-0524	1	Screw-HWHTF
8	112-0477	1	Spring-Torsion	30	112-0509	1	Screw-TAP
9	112-0660	1	Washer-Spring	31	112-6212	1	Cover-Fender, RH
10	112-0443	1	Bolt-Shoulder	32	112-6065	1	Cover-Fender, LH (W/Cupholder)
11	112-0442	1	Bolt-Shoulder	33	119-8404	1	Switch-Seat
12	112-0347	1	Bearing-Flange	34	112-0582	1	Washer-Flat
13	112-0374	1	Cable-Lift	35	112-6215	1	Seat-High
14	119-3998	1	Handle-Lift	36	119-8486	1	Fender
15	119-3999	1	Pulley-Cable	37	112-5988	1	Clip-Ratchet
16	119-9106	1	Arm-Lift	38	119-8402	1	Pad-Foot, LH
17	119-8405	1	Bracket-Lift	39	119-8403	1	Pad-Foot, RH
18	112-6070	1	Screw-TAP	40	119-9050	1	Decal-Toro
19	112-0511	1	Nut-Lock, Flange	41	119-8480	1	Decal-HOC
20	112-0409	1	Knob	42	119-8481	1	Decal-Safety
21	112-0527	1	Tie-Cable				
22	112-6208	1	Spring-Compression				

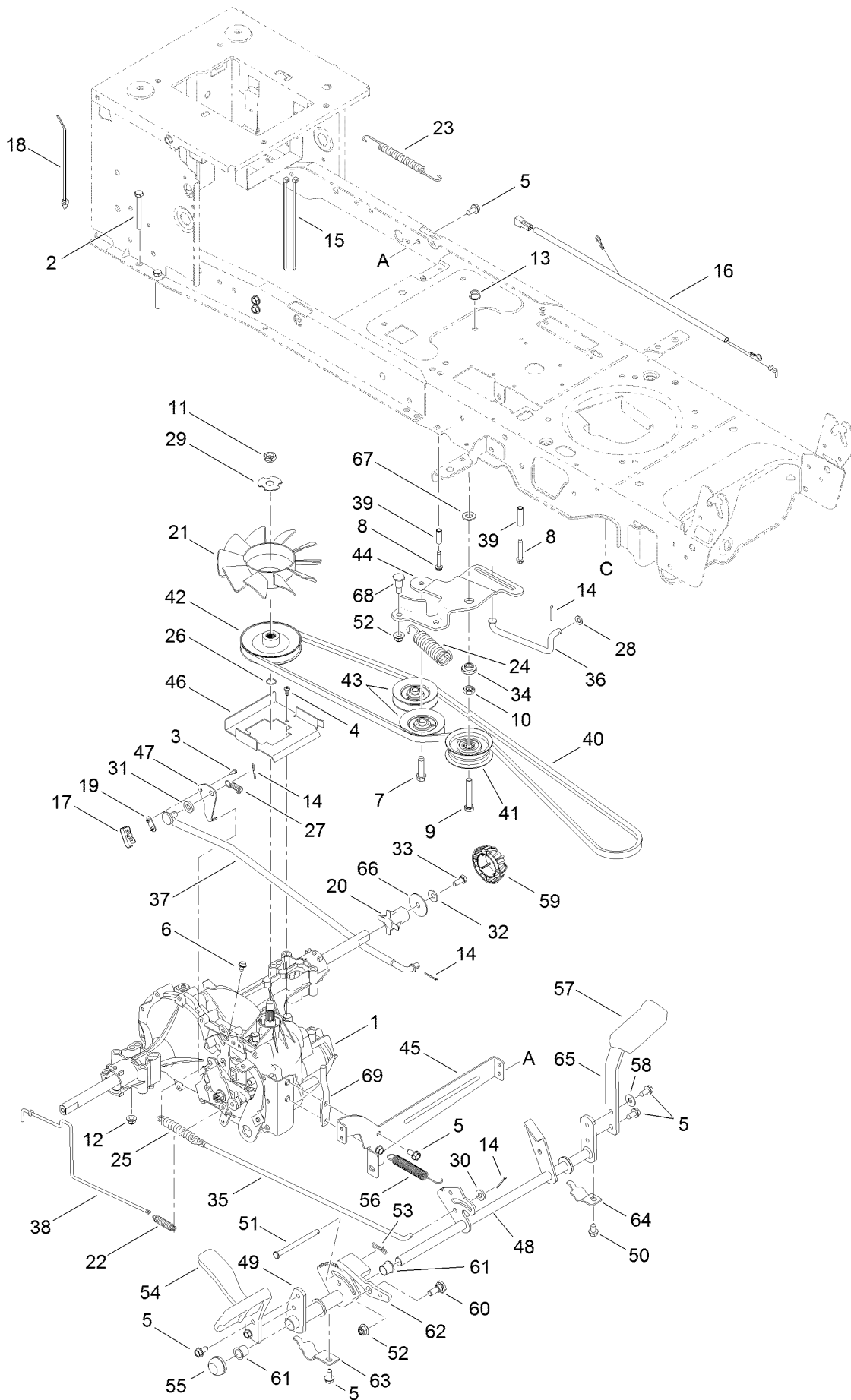
Fuel Tank, Hood and Dash Assembly



Fuel Tank, Hood and Dash Assembly (continued)

<i>Ref.</i>	<i>Part Number</i>	<i>Qty.</i>	<i>Description</i>	<i>Ref.</i>	<i>Part Number</i>	<i>Qty.</i>	<i>Description</i>
1	112-6070	1	Screw-TAP	25	112-0678	1	Rod-Support
2	112-0524	1	Screw-HWHTF	26	119-9118	1	Cap-Fuel
3	112-0509	1	Screw-TAP	27	119-9121	1	Tank-Fuel
4	112-0550	1	Screw-TAP	28	112-6115	1	Key-Ignition
5	112-0563	1	Screw-TAP	29	112-0447	1	Lens-RH
6	112-0659	1	Screw-HWH	30	112-0446	1	Lens-LH
7	112-0990	1	Pin-Cotter	31	112-5810	1	Reflector-RH
8	119-8406	1	Cap-Plug, Hole	32	112-5811	1	Reflector-LH
9	112-6266	1	Dash-Electric, PTO	33	112-0408	1	Socket-Headlight
10	119-8407	1	Lever-Dash	34	112-0402	1	Lamp-12V, Miniature
11	119-8408	1	Cover-Cruise	35	112-0535	1	Plug-Choke
12	119-8409	1	Spring-Extension	36	119-8412	1	Module-Switch, Ignition
13	119-8410	1	Rod-Latch	37	119-9144	1	Cable-Throttle And Choke
14	112-0604	1	Rod-Lever, Bent	38	112-6117	1	Meter-Hour
15	112-6262	1	Support-Dash, Plate (RH)	39	112-6141	1	Plenum-Hood
16	112-6263	1	Support-Dash, Plate (LH)	40	112-0411	1	Switch-Electric, PTO
17	112-0444	1	Hood	41	119-9117	1	Rod-Support, LH Tank
18	119-8411	1	Screw	42	112-6283	1	Decal-Throttle
19	112-0587	1	Screw-TAP	43	119-8479	1	Decal-Switch, Ignition
20	112-0381	1	Grill	44	112-5953	1	Decal-Hood, Right Side
21	112-5989	1	Washer-Flat	45	112-3716	1	Decal-Hood
22	112-6128	1	Bolt-Shoulder, TAP	46	119-8482	1	Decal
23	112-5985	1	Bracket-Pivot	47	112-5952	1	Decal-Hood, Left Side
24	112-5986	1	Bracket-Support, Hood				

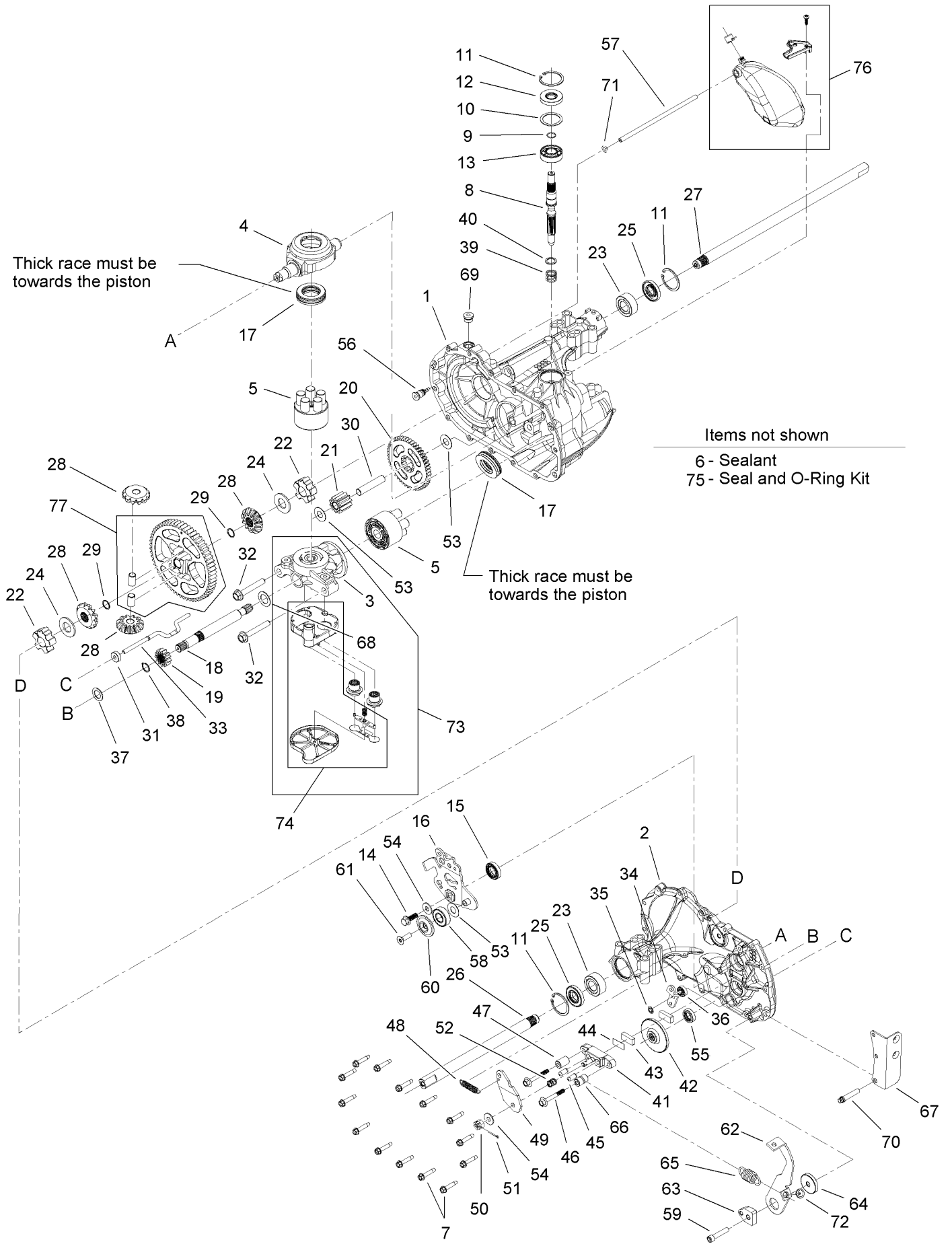
Transmission, Belt and Drive Assembly



Transmission, Belt and Drive Assembly (continued)

<i>Ref.</i>	<i>Part Number</i>	<i>Qty.</i>	<i>Description</i>	<i>Ref.</i>	<i>Part Number</i>	<i>Qty.</i>	<i>Description</i>
1	112-6019	1	Hydro Transmission ASM	37	119-8493	1	Rod-Control
2	112-0714	1	Screw-Hex	38	119-8494	1	Rod-Bypass, Hydro
3	112-0626	1	Screw-HWHTF	39	112-5831	1	Spacer
4	119-8487	1	Screw	40	119-8495	1	Belt-V
5	112-6070	1	Screw-TAP	41	112-0313	1	Pulley-Idler, Flat
6	112-6022	1	Screw-TAP	42	112-6148	1	Pulley-Input
7	112-0469	1	Screw-TAP	43	112-6149	1	Pulley-Idler, Y Type
8	112-0839	1	Screw-TAP	44	119-8427	1	Bracket-Idler, Center Double
9	112-6009	1	Screw-HH	45	119-8496	1	Bracket-Mounting
10	112-0493	1	Nut-Jam	46	119-8497	1	Bracket-Support, Belt Disengage
11	112-6144	1	Nut-Jam	47	112-6035	1	Bracket-Actuator
12	112-0650	1	Nut-Lock, Flange	48	119-8429	1	Brake Control ASM
13	112-0385	1	Nut-Lock, Flange	49	119-8498	1	Bracket-Pedal
14	112-0568	1	Pin-Cotter	50	112-0556	1	Screw-HWH
15	112-0527	1	Tie-Cable	51	119-8431	1	Pin-Clevis
16	119-8489	1	Harness-Jumper	52	112-0668	1	Nut-Lock, Flange
17	112-0602	1	Switch-Spring, Short	53	112-0990	1	Pin-Cotter
18	112-0866	1	Tie-Cable	54	119-8499	1	Pedal-Control
19	112-0625	1	Plate-Insulator	55	119-8432	1	Cap-Push
20	112-6025	1	Sleeve	56	119-8433	1	Spring-Extension
21	112-6145	1	Fan	57	119-8434	1	Pad-Pedal, Brake
22	112-6027	1	Spring-Extension	58	112-0435	1	Washer-Bell
23	119-8490	1	Spring-Extension	59	112-0352	1	Cap-Hub
24	119-9142	1	Spring-Extension	60	112-0442	1	Bolt-Shoulder
25	112-0350	1	Spring-Extension	61	119-8435	1	Bearing-Flange
26	112-6028	1	Ring-Wire	62	119-8436	1	Latch-Cruise
27	112-0875	1	Spring-Extension	63	119-8437	1	Bracket-Strap, Pedal Support
28	119-8492	1	Washer-Flat	64	119-8438	1	Bracket-Strap, Pedal Support
29	112-6146	1	Washer-Lock	65	119-8439	1	Bracket-Pedal, Brake
30	112-0579	1	Washer-Flat	66	119-9123	1	Washer-Flat
31	112-0544	1	Washer-Flat	67	119-9065	1	Washer-Flat
32	112-0435	1	Washer-Bell	68	119-9143	1	Screw-Shoulder
33	112-0551	1	Screw-HH	69	119-9119	1	Rod-Keeper, Drive Belt
34	119-8419	1	Spacer-Shoulder				
35	112-6030	1	Rod-Brake				
36	119-8420	1	Rod-Bypass, Foot Pedal				

Transmission Assembly No. 112-6019

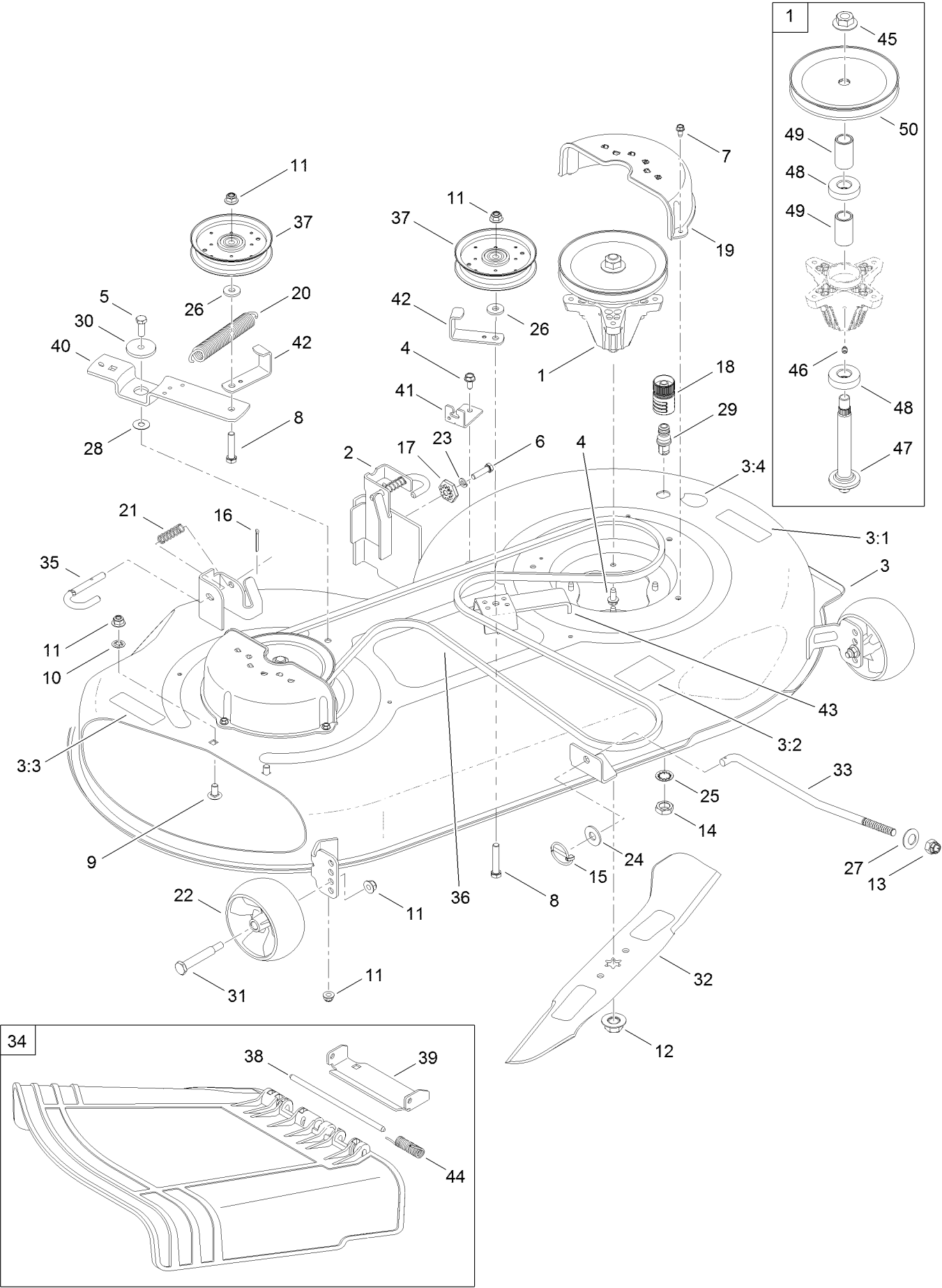


Transmission Assembly No. 112-6019 (continued)

<i>Ref.</i>	<i>Part Number</i>	<i>Qty.</i>	<i>Description</i>	<i>Ref.</i>	<i>Part Number</i>	<i>Qty.</i>	<i>Description</i>
1	104-5301	1	Main Housing ASM	41	104-5343	1	Yoke-Brake
2	104-5302	1	Side Housing ASM	42	104-5344	1	Rotor-Brake
3	104-5303	1	Center Section ASM	43	104-2171	2	Puck-Brake
4	104-5304	1	Swashplate-Trunnion	44	104-2181	1	Puck-Plate
5	103-2666	2	Cylinder Block Kit	45	104-2176	2	Pin-Brake
6	104-2147	1	Sealant ●	46	104-5345	2	Screw-HF
7	104-5305	14	Screw-HHF	47	104-2180	1	Spacer
8	104-5306	1	Shaft-Input	48	112-6194	1	Spring Kit
9	104-5307	1	Ring-Retaining	49	112-6195	1	Brake-Arm
10	104-5308	1	Spacer	50	93-3807	1	Nut-Castle
11	104-5309	3	Ring-Retaining	51	3272-7	1	Pin-Cotter
12	104-5310	1	Seal-Lip	52	104-2188	1	Spring-Brake, Anti Drag
13	104-5311	1	Bearing-Ball	53	94-1933	3	Washer
14	104-5312	1	Screw-HF	54	5-4460	2	Washer-Pivot
15	104-5313	1	Seal-Lip	55	104-5347	1	Seal-Oil
16	112-6190	1	Control-Arm	56	104-5349	1	Fitting-Sae
17	94-6922	2	Bearing-Thrust	57	104-5350	1	Hose-Expansion, Tank
18	104-5315	1	Shaft-Motor	58	104-2156	1	Bearing
19	104-5316	1	Gear-Pinnion, 13T	59	104-2155	1	Screw
20	104-5317	1	Gear	60	104-2157	1	Spacer-Locating
21	104-5318	1	Gear-Jackshaft, 10T	61	104-2158	1	Screw-Countersunk
22	104-5320	2	Bearing-Sleeve	62	112-6196	1	Return-Arm
23	104-5321	2	Bearing-Sleeve, Outboard	63	104-2119	1	Puck-Adjusting
24	94-1943	2	Washer	64	112-6197	1	Washer-Flat
25	104-5322	2	Seal-Lip	65	104-5356	1	Spring-Extension
26	112-6191	1	Axle-Shaft	66	104-5357	1	Spacer
27	112-6192	1	Axle-Shaft	67	112-6198	1	Bracket-Torque
28	112-6193	1	Miter Gear Kit	68	104-5360	1	Washer-Shaft, Motor
29	104-5328	2	Ring-Retaining, Spiral	69	104-2189	1	Plug-Thread, Straight
30	104-5329	1	Pin-Jackshaft	70	104-2148	1	Screw-TTH
31	104-5330	1	Magnet-Ring	71	104-5361	1	O-Ring
32	94-6926	2	Bolt	72	104-5363	1	Guide-Spring
33	104-5335	1	Rod-Actuator, Bypass	73	106-6522	1	Center Section Filter Bypass ASM
34	104-5336	1	Arm-Bypass	74	106-6523	1	Filter ASM
35	104-5337	1	Ring-Retaining	75	104-5368	1	Seal Kit ●
36	104-5338	1	Seal-Lip	76	104-5369	1	Expansion Tank Kit
37	104-5339	1	Washer-Flat	77	112-6199	1	60T Bull Gear Differential Kit (W/Pins)
38	104-5340	1	Ring-Retaining				
39	94-1936	1	Spring-Block				
40	94-1937	1	Washer-Thrust, Block				

● Not illustrated

46 Inch Deck Assembly



46 Inch Deck Assembly (continued)

<i>Ref.</i>	<i>Part Number</i>	<i>Qty.</i>	<i>Description</i>	<i>Ref.</i>	<i>Part Number</i>	<i>Qty.</i>	<i>Description</i>
1	119-9060	1	Spindle ASM	25	112-0643	1	Washer-Lock
2	112-0413	1	LH Hanger Bracket ASM	26	112-0541	1	Washer-Flat
3	119-9131	1	46 Inch Deck Decal ASM	27	119-8455	1	Washer-Bellville
3:1	112-6284	1	Decal-Deck	28	119-9065	1	Washer-Flat
3:2	119-8476	1	Decal-Belt Routing	29	112-6274	1	Nozzle-Water, Deck
3:3	112-6285	1	Decal-Chute	30	112-0584	1	Spacer-Shoulder
3:4	119-8474	1	Decal-Deck Wash System	31	112-0325	1	Bolt-Shoulder
4	112-6070	1	Screw-TAP	32	119-9066	1	Blade-2-In-1
5	112-0492	1	Screw-HH	33	119-8457	1	Rod-Lift, Deck
6	112-0373	1	Screw-HH	34	119-9067	1	Chute ASM
7	112-0524	1	Screw-HWHTF	35	112-0436	1	Pin-Handle, Deck Release
8	112-0421	1	Screw-HH	36	119-9068	1	Belt-V
9	112-0452	1	Bolt-CARR	37	112-0314	1	Pulley-Idler
10	112-0440	1	Nut-Push	38	119-8461	1	Pin-Hinge
11	112-0668	1	Nut-Lock, Flange	39	119-9069	1	Bracket-Chute
12	112-0330	1	Nut-Lock, Flange	40	119-8464	1	Bracket-Pivot, Idler
13	119-8449	1	Nut	41	119-8465	1	Bracket-Cable, Deck Engage
14	112-0351	1	Nut-Hex	42	119-8466	1	Bracket-Guard, Belt
15	119-9062	1	Pin-Lynch	43	119-8469	1	Bracket-Support, Idler
16	112-0412	1	Pin-Cotter	44	119-8463	1	Spring-Torsion
17	112-0327	1	Gear-Adjustment, Deck	45	112-0330	1	Nut-Lock, Flange
18	112-0916	1	Adapter-Nozzle, Water	46	112-0926	1	Fitting-Grease
19	119-9063	1	Cover-Belt, Universal	47	112-6278	1	Shaft-Spindle
20	112-6043	1	Spring-Extension	48	112-0377	1	Bearing-Ball
21	119-8451	1	Spring-Compression	49	112-6252	1	Spacer
22	112-0677	1	Wheel-Deck, Front	50	119-9070	1	Pulley-Deck
23	112-0366	1	Washer-Lock				
24	119-8454	1	Washer-Flat				

Attachments and Accessories

For 13AP91RT848 LX468 Lawn Tractor

Product Name	Model/Part
46 inch Mulch Kit	117-0059
42 inch Two-Stage Snowthrower	190-032-101
46 inch Front Blade.....	190-833-000
Twin Bagger for 42 inch and 46 inch Lawn Tractors	19A30003000
10 cu. ft. Poly Dump Cart	79991
17 cu. ft. Poly Dump Cart	79992
125 lb. Tow Spreader	79993
42 inch Sweeper	79994
48 inch Dethatcher.....	79995
40 inch Spike Aerator	79996
Stake Side Kit	79997

Notes:

Notes:

Notes:



Count on it.