



**Count on it.**

**Parts Catalog**

**GT2200 Garden Tractor**

Model No. 14AQ94RP848—Serial No. 1 and Up

# Ordering Replacement Parts

To order replacement parts, please supply the part number, the quantity, and the description of each part desired.

## Understanding Reference Numbers

Each identified part in an illustration has a reference number. The reference number for a part also appears in the parts list, along with other information about the part.

This catalog uses two special reference number formats, one to indicate parts in a service assembly and another to indicate the quantity of a given part in an illustration.

## Service Assembly Reference Numbers

Parts in service assemblies have reference numbers in the form a:b. The a represents the reference number of the entire service assembly and the b represents a sequential number unique to each part within the service assembly.

For example, a wheel assembly might be identified by reference number 6, the tire by 6:1, the valve by 6:2, and the wheel by 6:3. When you order the assembly identified by reference number 6, you receive all parts identified by reference numbers 6:1, 6:2, and 6:3. However, you may also order any part individually. Reference numbers of this type appear in illustration and in parts lists.

## Reference Numbers Indicating Quantity

In an illustration, if a reference number indicates more than one part, the reference number has the form nX y. The n represents the quantity of the part, the X is the multiplication symbol, and the y represents the reference number.

For example, in an illustration, the reference number 2X 37 means that two of the parts identified by reference number 37 are indicated.

# List of Abbreviations

**AR:** as required

**ASM:** assembly

**BBC:** blade brake control

**BHTF:** button head thread forming

**CARR:** carriage

**CCW:** counter clockwise

**CW:** clockwise

**DEG:** degrees

**DPA:** Dual Point Adjustment

**ECM:** electronic control module

**EXT:** external

**FH:** flat head

**GA:** gauge

**HD:** heavy-duty

**HF:** hex flange

**HH:** hex head

**HHF:** hex head flange

**HHFTF:** hex head flange thread forming

**HJ:** hex jam

**HLH:** hex lag head

**HOC:** height-of-cut

**HSBH:** hex socket button head

**HSFH:** hex socket flat head

**HSH:** hex socket head

**HWH:** hex washer head

**HWTF:** hex washer head thread forming

**HYD:** hydraulic

**LH:** left hand

**LP:** Liquid Propane

**NI:** nylon insert

**NPTF:** national pipe thread fine

**PFH:** phillips flat head

**PPH:** phillips pan head

**PPHTF:** phillips pan head thread forming

**PRH:** phillips round head

**PTH:** phillips truss head

**PTO:** power-take-off

**RH:** right hand

**ROPS:** roll-over protection system

**RRB:** rear roller brush

**SFH:** slotted fillister head

**SHH:** slotted hex head

**SHWH:** slotted hex washer head

**SPH:** slotted pan head

**SQH:** square head

**SRH:** slotted round head

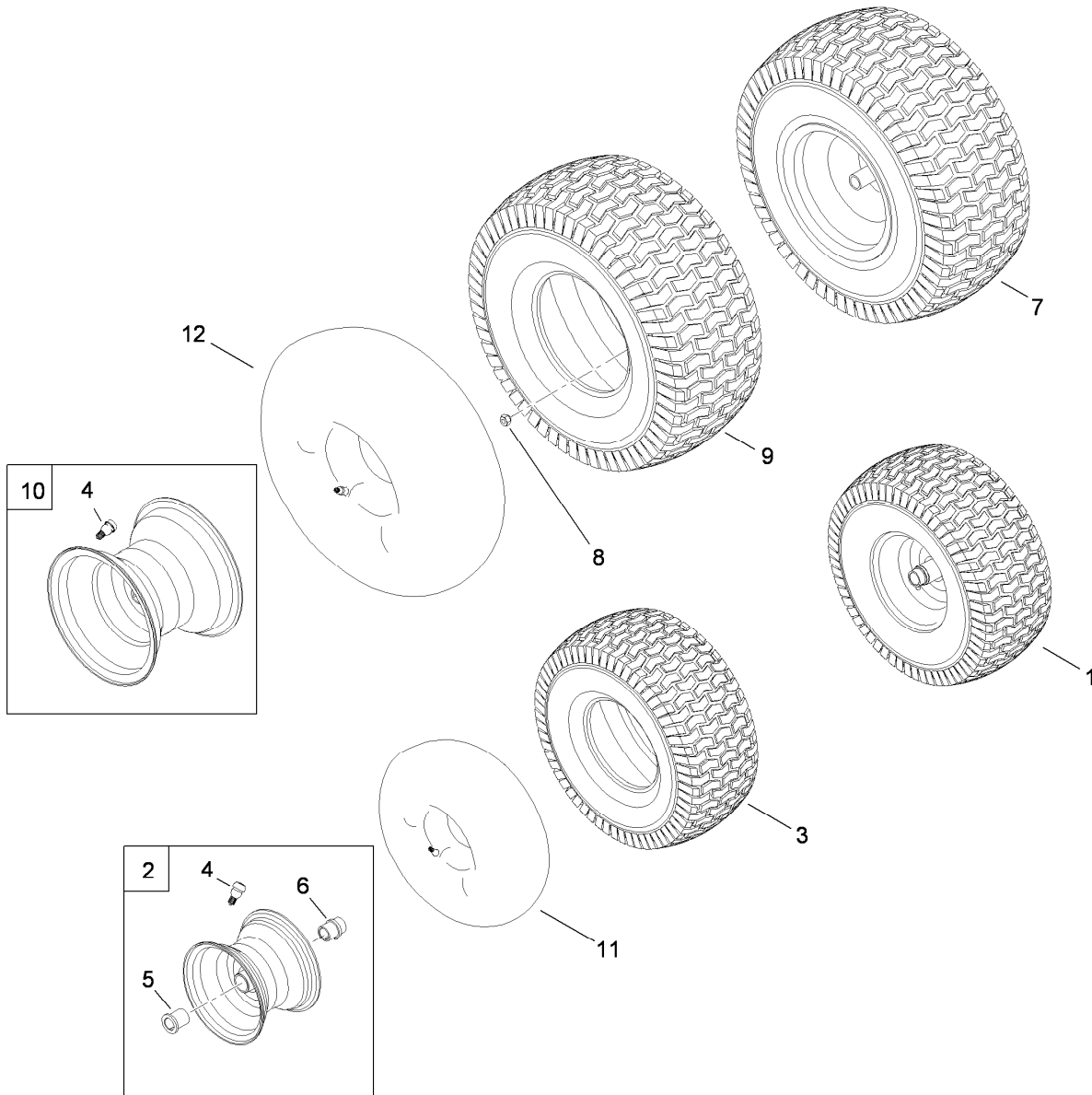
**STD:** standard

**TAP:** self tapping

**TTH:** torx truss head

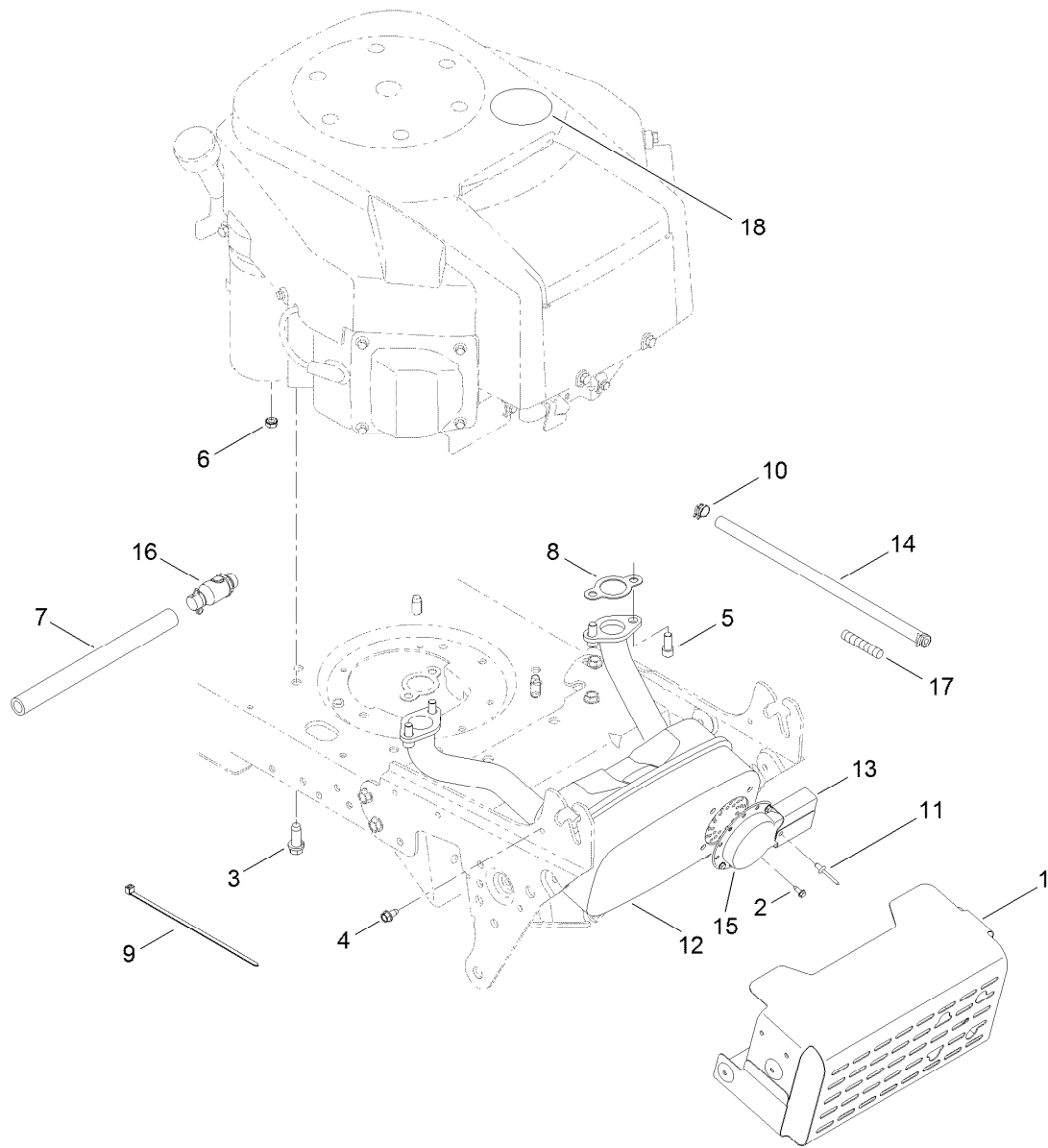
# Contents

Front and Rear Wheel Assembly .....	4
Engine Component Assembly .....	5
Steering and Front Axle Assembly .....	6
Frame, Battery and Electric PTO Assembly .....	8
Seat, Fender and Deck Lift Assembly .....	10
Fuel Tank, Hood and Dash Assembly .....	12
Drive System Assembly .....	14
50 Inch Deck Assembly .....	16
Attachments and Accessories .....	18



## Front and Rear Wheel Assembly

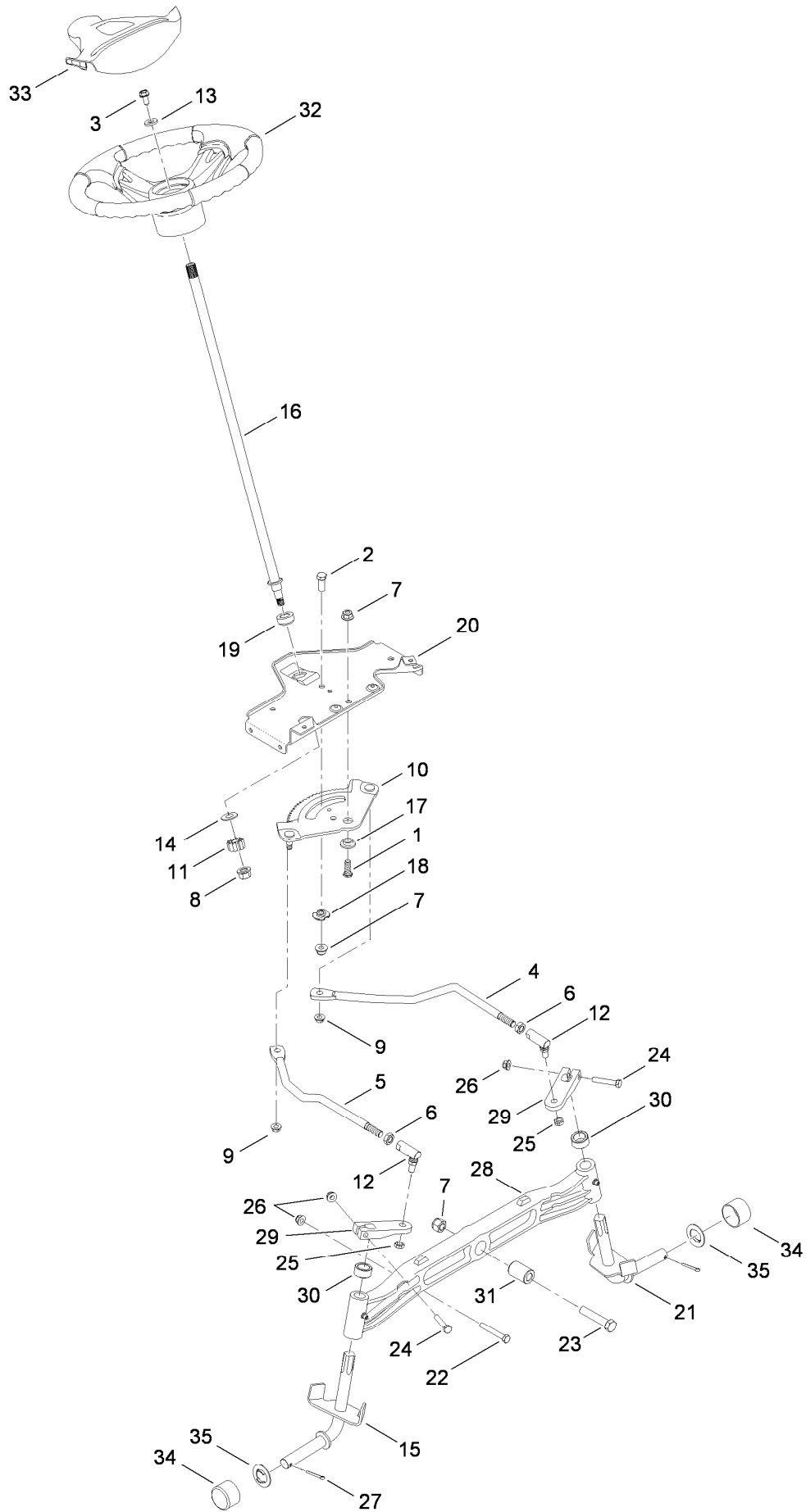
Ref.	Part Number	Qty.	Description
1	119-9078	1	Tire And Wheel ASM
2	112-0919	1	Rim ASM
3	119-9079	1	Tire
4	112-0503	1	Valve-Air, Tubeless
5	112-0331	1	Bearing-Flange
6	112-0375	1	Bearing-Flange (W/Zerk)
7	112-0847	1	Wheel ASM
8	112-0911	1	Nut-Lug
9	112-0876	1	Tire-Turf
10	112-0849	1	Rim ASM
11	112819	1	Tube-Inner
12	231-90	1	Tube



## Engine Component Assembly

<i>Ref.</i>	<i>Part Number</i>	<i>Qty.</i>	<i>Description</i>	<i>Ref.</i>	<i>Part Number</i>	<i>Qty.</i>	<i>Description</i>
1	112-6202	1	Shield-Muffler	10	112-0573	1	Clamp-Hose
2	112-0626	1	Screw-HWHTF	11	112-3741	1	Rivet-Pop
3	112-6163	1	Screw-HH, TAP	12	112-6164	1	Muffler-Twin
4	112-0524	1	Screw-HWHTF	13	112-0453	1	Deflector-Muffler
5	112-6012	1	Screw-HSH	14	112-0720	1	Hose-Fuel
6	112-0546	1	Nut-Sems	15	119-9147	1	Deflector-Muffler
7	112-0553	1	Hose-Drain	16	110-9890	1	Drain-Oil
8	119-9146	1	Gasket-Exhaust	17	119-9145	1	Hose-Vent
9	112-0527	1	Tie-Cable	18	112-5960	1	Decal-Check Oil

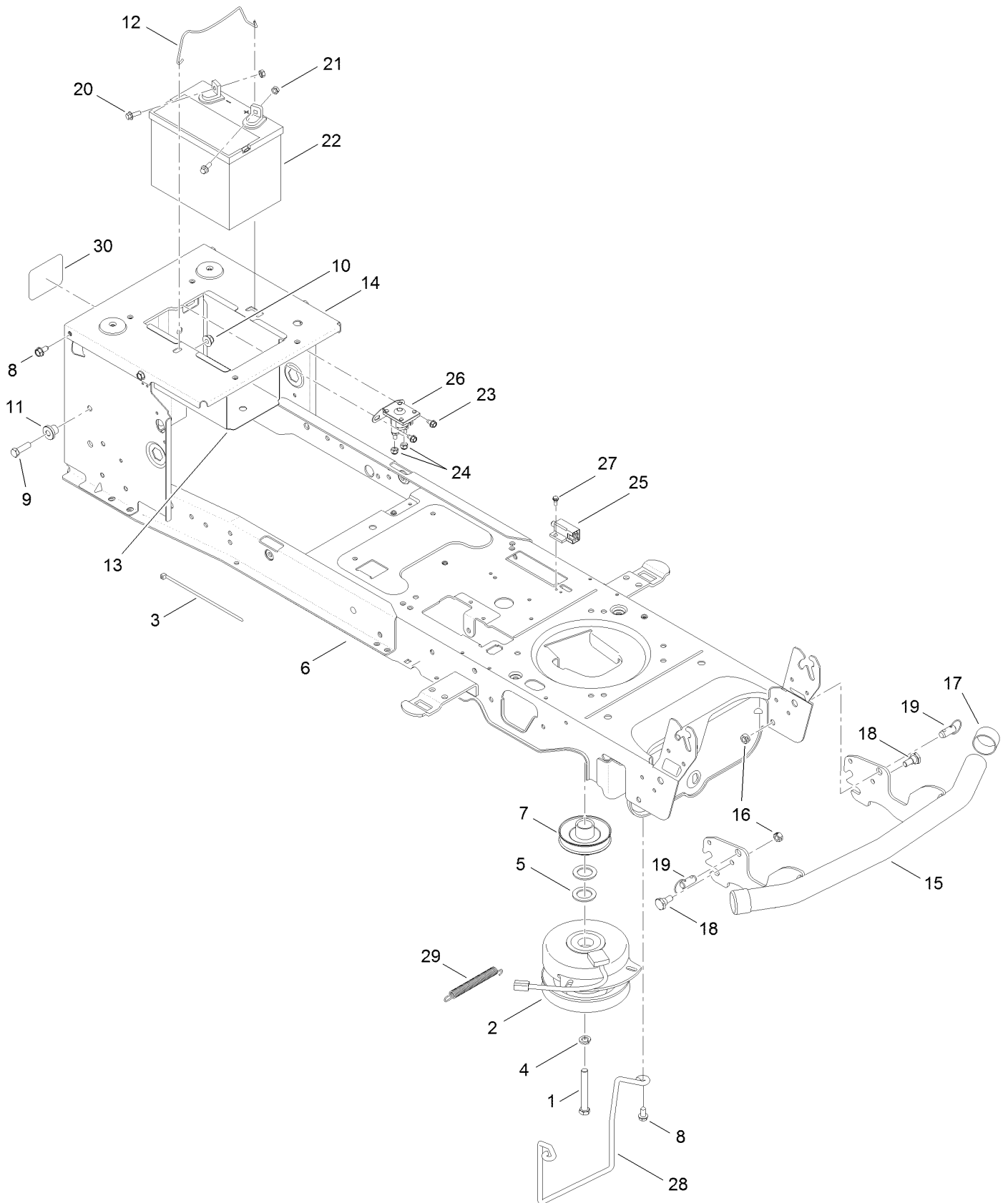
# Steering and Front Axle Assembly



## Steering and Front Axle Assembly (continued)

<i>Ref.</i>	<i>Part Number</i>	<i>Qty.</i>	<i>Description</i>	<i>Ref.</i>	<i>Part Number</i>	<i>Qty.</i>	<i>Description</i>
1	112-0631	1	Screw-HH	19	112-6257	1	Bearing-Flange, Hex
2	112-0492	1	Screw-HH	20	119-3979	1	Bracket-Support, Steering
3	112-0473	1	Screw-HH	21	119-9081	1	LH Axle ASM
4	119-3974	1	Link-Drag, LH	22	112-5843	1	Screw-HH
5	119-3975	1	Link-Drag, RH	23	112-0611	1	Screw-HH
6	112-0493	1	Nut-Jam	24	112-1095	1	Bolt-HH
7	112-0668	1	Nut-Lock, Flange	25	112-0483	1	Nut-Hex, Lock
8	112-0859	1	Nut-Lock, Flange	26	112-0650	1	Nut-Lock, Flange
9	112-0511	1	Nut-Lock, Flange	27	112-0860	1	Pin-Cotter
10	119-3976	1	Gear-Steering	28	119-3982	1	Axle-Cast
11	112-0863	1	Gear-Pinion, Steering	29	119-3983	1	Block-Steering
12	112-0917	1	Ball Joint ASM	30	112-6136	1	Spacer
13	112-0924	1	Washer-Flat	31	119-3984	1	Spacer
14	112-0925	1	Washer-Flat	32	112-0438	1	Wheel-Steering, Softgrip
15	119-9080	1	RH Axle ASM	33	112-0341	1	Cover-Wheel, Steering
16	112-6097	1	Shaft-Steering	34	119-9128	1	Cap-Bumper
17	119-3977	1	Spacer-Shoulder	35	112-6258	1	Washer-Flat
18	119-3978	1	Spacer				

# Frame, Battery and Electric PTO Assembly

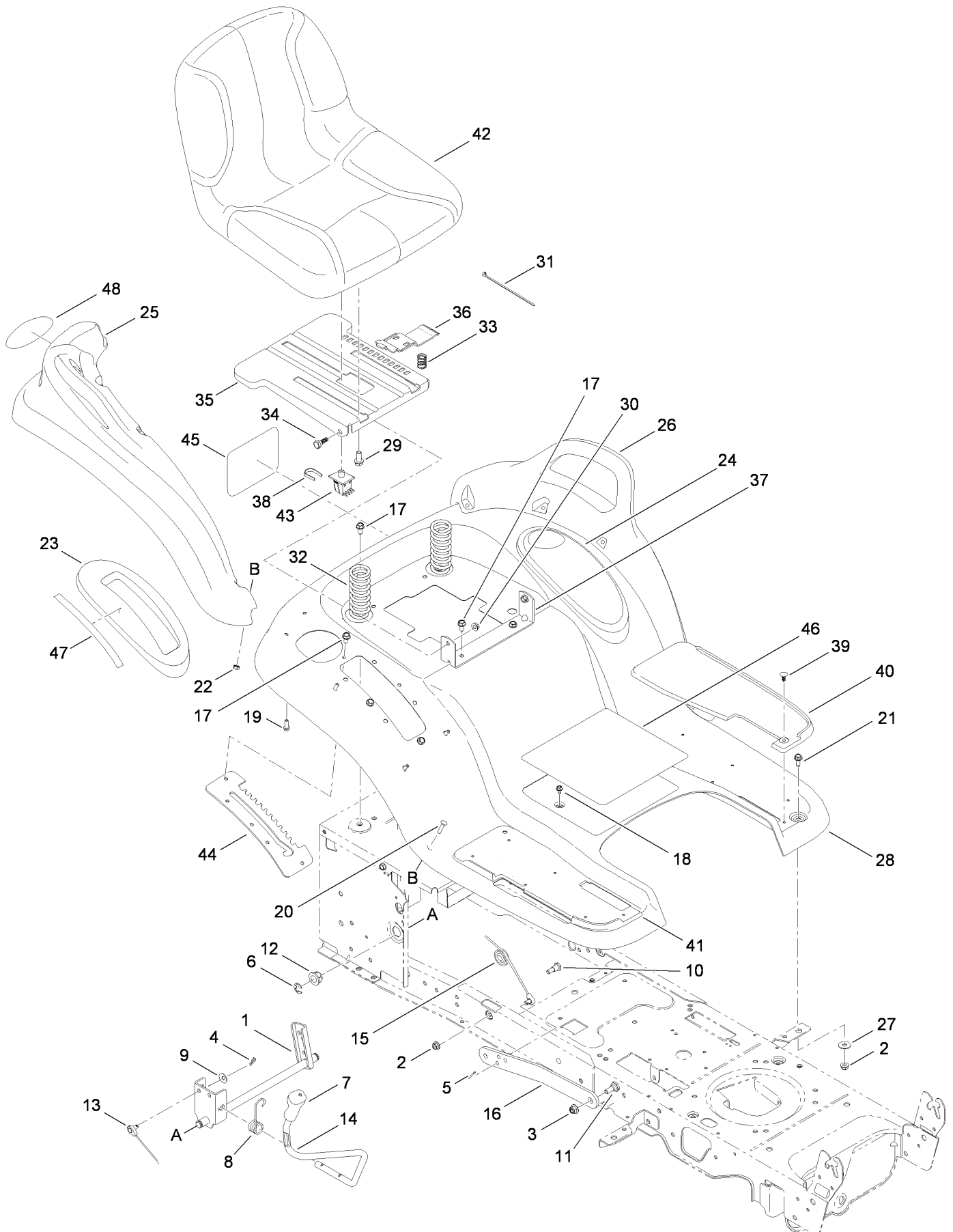


## Frame, Battery and Electric PTO Assembly (continued)

<i>Ref.</i>	<i>Part Number</i>	<i>Qty.</i>	<i>Description</i>	<i>Ref.</i>	<i>Part Number</i>	<i>Qty.</i>	<i>Description</i>
1	112-0561	1	Screw-HH	17	112-5968	1	Cap-Hub
2	112-6044	1	Clutch-Electric	18	112-0565	1	Bolt-Shoulder
3	112-0527	1	Tie-Cable	19	119-3954	1	Pin-Release, Quick
4	112-0428	1	Washer-Lock	20	119-3994	1	Bolt
5	112-0420	1	Washer-Flat	21	112-0546	1	Nut-Sems
6	119-3993	1	Lower Frame ASM	22	112-0425	1	Battery-245, Cca (Dry Flat Top)
7	112-6045	1	Pulley-Engine	23	112-6022	1	Screw-TAP
8	112-6070	1	Screw-TAP	24	112-0636	1	Nut-Lock, Flange
9	112-0557	1	Screw-HH	25	112-6210	1	Switch-Interlock, No/Nc
10	112-0668	1	Nut-Lock, Flange	26	112-6073	1	Solenoid-12V, 2 Post 2 Tab
11	112-0661	1	Spacer-Shoulder	27	112-6206	1	Bolt-Shoulder
12	112-0581	1	Rod-Holddown, Battery	28	119-9082	1	Rod-Keeper, Belt
13	112-0570	1	Tray-Battery	29	112-6153	1	Spring-Extension
14	112-6209	1	Bracket-Frame, Seat	30	119-8485	1	Decal-Release, Hydro
15	119-9071	1	Bumper-Universal	99	119-9058	1	Harness-Wiring ●
16	112-0909	1	Nut-Lock				

● Not illustrated

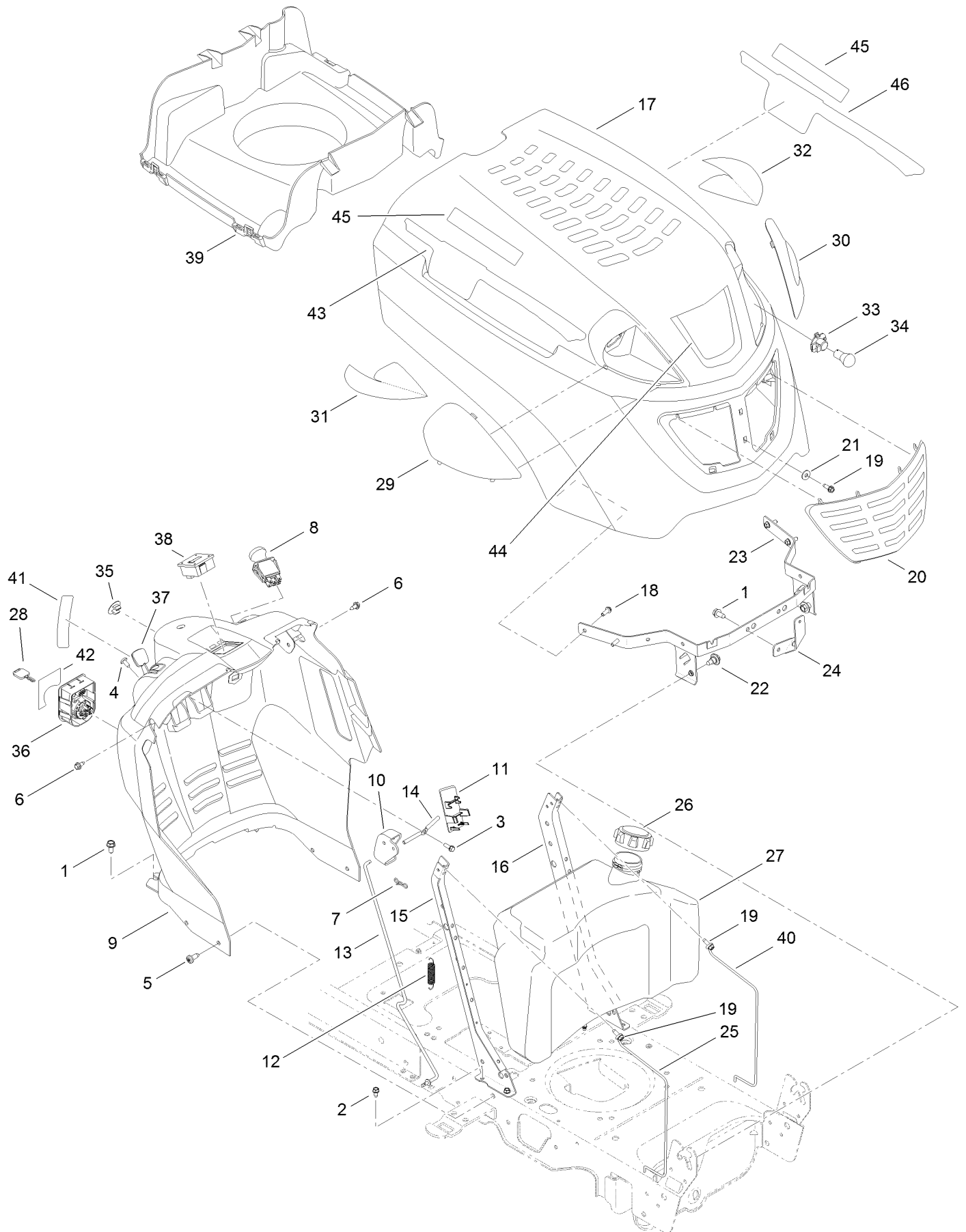
# Seat, Fender and Deck Lift Assembly



## Seat, Fender and Deck Lift Assembly (continued)

<i>Ref.</i>	<i>Part Number</i>	<i>Qty.</i>	<i>Description</i>	<i>Ref.</i>	<i>Part Number</i>	<i>Qty.</i>	<i>Description</i>
1	112-6183	1	Lift Shaft ASM	25	112-0871	1	Flare-Fender, RH
2	112-0650	1	Nut-Lock, Flange	26	112-0872	1	Flare-Fender, LH
3	112-0668	1	Nut-Lock, Flange	27	112-0582	1	Washer-Flat
4	112-0459	1	Pin-Cotter	28	119-9083	1	Fender
5	112-0990	1	Pin-Cotter	29	112-6229	1	Screw-HH
6	112-0586	1	Ring-E	30	112-0511	1	Nut-Lock, Flange
7	112-0585	1	Grip-Handle	31	112-0527	1	Tie-Cable
8	112-0477	1	Spring-Torsion	32	112-6208	1	Spring-Compression
9	112-0660	1	Washer-Spring	33	112-6234	1	Spring-Compression
10	112-0443	1	Bolt-Shoulder	34	112-0575	1	Bolt-Shoulder
11	112-0442	1	Bolt-Shoulder	35	112-6214	1	Bracket-Mount, Seat
12	112-0347	1	Bearing-Flange	36	112-6232	1	Lever-Adjustment, Seat
13	112-0374	1	Cable-Lift	37	112-6217	1	Bracket-Pivot, Seat
14	119-3998	1	Handle-Lift	38	119-8400	1	Clip-Retension
15	119-3999	1	Pulley-Cable	39	112-0549	1	Clip-Ratchet, Fastener
16	119-9106	1	Arm-Lift	40	119-8402	1	Pad-Foot, LH
17	112-6070	1	Screw-TAP	41	119-8403	1	Pad-Foot, RH
18	112-0524	1	Screw-HWHTF	42	112-6215	1	Seat-High
19	112-0509	1	Screw-TAP	43	119-8404	1	Switch-Seat
20	112-0907	1	Screw-CARR	44	119-9084	1	Bracket-Lift
21	112-0395	1	Screw-HWH	45	119-9050	1	Decal-Toro
22	112-0546	1	Nut-Sems	46	119-8481	1	Decal-Safety
23	112-6226	1	Cover-Lift, Lever	47	119-8477	1	Decal-HOC
24	112-0870	1	Cover (W/Cup Holder)	48	112-5873	1	Reflector

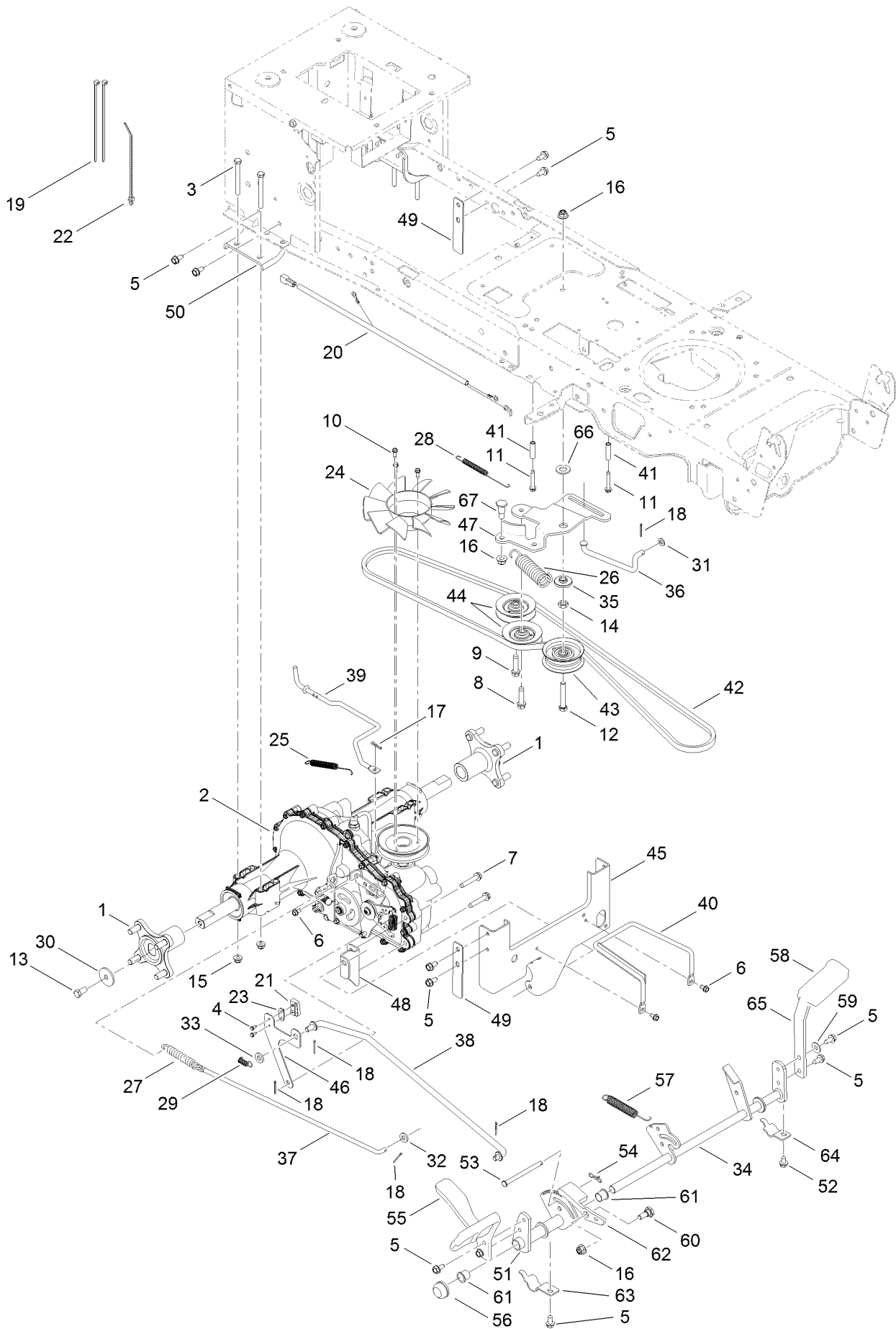
# Fuel Tank, Hood and Dash Assembly



## Fuel Tank, Hood and Dash Assembly (continued)

<i>Ref.</i>	<i>Part Number</i>	<i>Qty.</i>	<i>Description</i>	<i>Ref.</i>	<i>Part Number</i>	<i>Qty.</i>	<i>Description</i>
1	112-6070	1	Screw-TAP	24	112-5986	1	Bracket-Support, Hood
2	112-0524	1	Screw-HWHTF	25	112-0678	1	Rod-Support
3	112-0509	1	Screw-TAP	26	119-9118	1	Cap-Fuel
4	112-0550	1	Screw-TAP	27	119-9121	1	Tank-Fuel
5	112-0563	1	Screw-TAP	28	112-6115	1	Key-Ignition
6	112-0659	1	Screw-HWH	29	112-0447	1	Lens-RH
7	112-0990	1	Pin-Cotter	30	112-0446	1	Lens-LH
8	112-0411	1	Switch-Electric, PTO	31	112-5810	1	Reflector-RH
9	112-6266	1	Dash-Electric, PTO	32	112-5811	1	Reflector-LH
10	119-8407	1	Lever-Dash	33	112-0408	1	Socket-Headlight
11	119-8408	1	Cover-Cruise	34	112-0402	1	Lamp-12V, Miniature
12	119-8409	1	Spring-Extension	35	112-0535	1	Plug-Choke
13	119-8410	1	Rod-Latch	36	119-8412	1	Module-Switch, Ignition
14	112-0604	1	Rod-Lever, Bent	37	112-6265	1	Cable-Throttle
15	112-6262	1	Support-Dash, Plate (RH)	38	112-6117	1	Meter-Hour
16	112-6263	1	Support-Dash, Plate (LH)	39	112-6141	1	Plenum-Hood
17	112-0444	1	Hood	40	119-9117	1	Rod-Support, LH Tank
18	119-8411	1	Screw	41	112-6283	1	Decal-Throttle
19	112-0587	1	Screw-TAP	42	119-8479	1	Decal-Switch, Ignition
20	112-0381	1	Grill	43	112-5953	1	Decal-Hood, Right Side
21	112-5989	1	Washer-Flat	44	112-3716	1	Decal-Hood
22	112-6128	1	Bolt-Shoulder, TAP	45	112-5967	1	Decal-Side Panel
23	112-5985	1	Bracket-Pivot	46	112-5952	1	Decal-Hood, Left Side

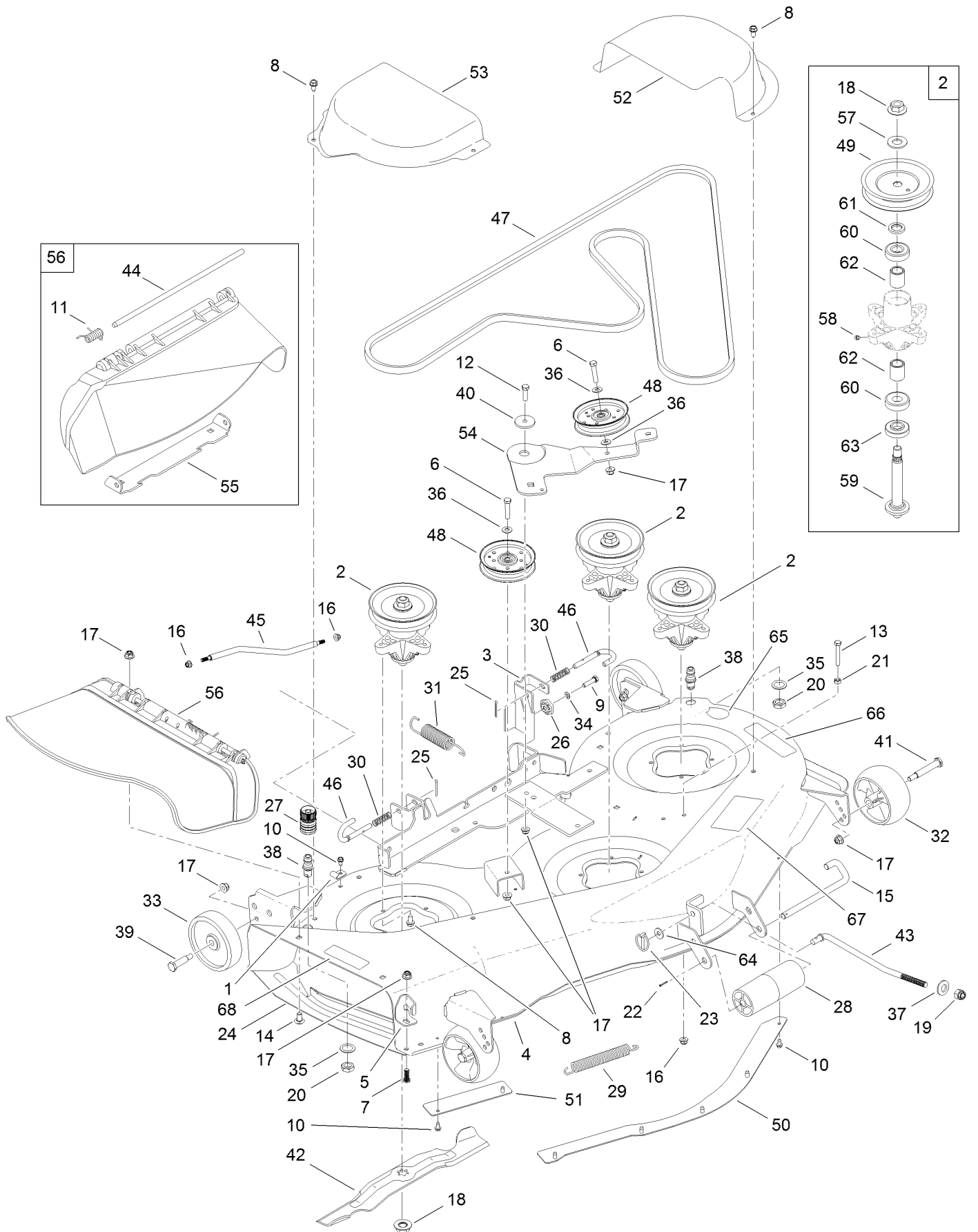
# Drive System Assembly



## Drive System Assembly (continued)

<i>Ref.</i>	<i>Part Number</i>	<i>Qty.</i>	<i>Description</i>	<i>Ref.</i>	<i>Part Number</i>	<i>Qty.</i>	<i>Description</i>
1	112-0738	1	Wheel Hub ASM	36	119-8420	1	Rod-Bypass, Foot Pedal
2	119-9085	1	Transmisson	37	119-9089	1	Rod-Brake
3	112-6238	1	Screw-HH	38	119-9090	1	Rod-Control
4	112-0626	1	Screw-HWHTF	39	119-9091	1	Rod-Disengage
5	112-6070	1	Screw-TAP	40	119-9092	1	Keeper-Belt
6	112-0524	1	Screw-HWHTF	41	112-5831	1	Spacer
7	119-9086	1	Screw-Taptite	42	119-9093	1	Belt-V
8	112-0469	1	Screw-TAP	43	112-0313	1	Pulley-Idler, Flat
9	112-6143	1	Screw-TAP	44	112-6149	1	Pulley-Idler, Y Type
10	119-9087	1	Screw	45	119-9104	1	Bracket-Torque
11	112-0839	1	Screw-TAP	46	112-6243	1	Bracket-Actuator, Switch
12	112-6009	1	Screw-HH	47	119-8427	1	Bracket-Idler, Center Double
13	112-0768	1	Screw-HH	48	119-9094	1	Bracket-Deck
14	112-0493	1	Nut-Jam	49	119-9095	1	Bracket-Plate
15	112-0650	1	Nut-Lock, Flange	50	119-9105	1	Bracket-Axle
16	112-0668	1	Nut-Lock, Flange	51	119-9096	1	Bracket-Pedal, Hydro
17	112-0459	1	Pin-Cotter	52	112-0556	1	Screw-HWH
18	112-0568	1	Pin-Cotter	53	119-8431	1	Pin-Clevis
19	112-0527	1	Tie-Cable	54	112-0990	1	Pin-Cotter
20	119-8489	1	Harness-Jumper	55	119-8499	1	Pedal-Control
21	112-0602	1	Switch-Spring, Short	56	119-8432	1	Cap-Push
22	112-0866	1	Tie-Cable	57	119-8433	1	Spring-Extension
23	112-0625	1	Plate-Insulator	58	119-8434	1	Pad-Pedal, Brake
24	119-9088	1	Fan-Blade	59	112-0435	1	Washer-Bell
25	112-6244	1	Spring-Extension	60	112-0442	1	Bolt-Shoulder
26	119-9142	1	Spring-Extension	61	119-8435	1	Bearing-Flange
27	112-0350	1	Spring-Extension	62	119-8436	1	Latch-Cruise
28	119-3989	1	Spring-Extension	63	119-8437	1	Bracket-Strap, Pedal Support
29	112-0875	1	Spring-Extension				
30	112-0534	1	Washer-Flat	64	119-8438	1	Bracket-Strap, Pedal Support
31	119-8492	1	Washer-Flat				
32	112-0579	1	Washer-Flat	65	119-8439	1	Bracket-Pedal, Brake
33	112-0544	1	Washer-Flat	66	119-9065	1	Washer-Flat
34	119-8429	1	Brake Control ASM	67	119-9143	1	Screw-Shoulder
35	119-8419	1	Spacer-Shoulder				

# 50 Inch Deck Assembly



## 50 Inch Deck Assembly (continued)

<i>Ref.</i>	<i>Part Number</i>	<i>Qty.</i>	<i>Description</i>	<i>Ref.</i>	<i>Part Number</i>	<i>Qty.</i>	<i>Description</i>
1	112-0378	1	Bracket-Retain, Hook	35	112-0643	1	Washer-Lock
2	112-6042	1	Spindle ASM	36	112-0572	1	Washer-Flat
3	112-0413	1	LH Hanger Bracket ASM	37	119-8455	1	Washer-Bellville
4	119-9129	1	Deck Assembly	38	112-6274	1	Nozzle-Water, Deck
5	112-0854	1	Stop-Chute	39	112-0334	1	Bolt-Shoulder
6	112-0513	1	Screw-HH	40	112-0584	1	Spacer-Shoulder
7	112-0631	1	Screw-HH	41	112-0325	1	Bolt-Shoulder
8	112-6070	1	Screw-TAP	42	112-6280	1	Blade-Star, 17.90
9	112-0373	1	Screw-HH	43	119-9099	1	Rod-Deck Lift, Front
10	112-0524	1	Screw-HWHTF	44	119-9100	1	Pin-Hinge
11	119-9111	1	Spring-Torsion	45	119-9130	1	Rod-Deck
12	112-0557	1	Screw-HH	46	112-0436	1	Pin-Handle, Deck Release
13	112-0590	1	Screw-HH	47	112-0729	1	Belt-V Type
14	112-0452	1	Bolt-CARR	48	112-0314	1	Pulley-Idler
15	119-9098	1	Pin-Roller	49	112-5926	1	Pulley
16	112-0650	1	Nut-Lock, Flange	50	112-5837	1	Skirt-Center
17	112-0668	1	Nut-Lock, Flange	51	112-0612	1	Skirt-RH
18	112-0330	1	Nut-Lock, Flange	52	112-6041	1	Cover-Belt, LH
19	119-8449	1	Nut	53	112-6040	1	Cover-Belt, RH
20	112-0351	1	Nut-Hex	54	112-6057	1	Bracket-Idler
21	112-0437	1	Nut-Hex	55	119-9102	1	Bracket-Chute
22	112-0568	1	Pin-Cotter	56	119-9103	1	Chute ASM
23	119-8450	1	Pin-Lynch	57	112-0921	1	Washer-Flat
24	112-0574	1	Bracket-Finger Guard	58	112-0926	1	Fitting-Grease
25	112-0412	1	Pin-Cotter	59	112-0884	1	Shaft-Spindle, Blade (Star)
26	112-0327	1	Gear-Adjustment, Deck	60	112-0377	1	Bearing-Ball
27	112-0916	1	Adapter-Nozzle, Water	61	112-6038	1	Spacer
28	112-6185	1	Roller-Front	62	112-0389	1	Spacer
29	112-6043	1	Spring-Extension	63	119-9110	1	Spacer
30	119-8451	1	Spring-Compression	64	119-8454	1	Washer-Flat
31	112-0399	1	Spring-Lift, Assist	65	119-8474	1	Decal-Deck Wash System
32	112-0677	1	Wheel-Deck, Front	66	112-6284	1	Decal-Deck
33	112-0337	1	Wheel-Deck, Rear	67	119-8476	1	Decal-Belt Routing
34	112-0366	1	Washer-Lock	68	112-6285	1	Decal-Chute

# Attachments and Accessories

## For 14AQ94RP848 GT2200 Garden Tractor

<b>Product Name</b>	<b>Model/Part</b>
42 inch Two-Stage Snowthrower .....	190-032-101
46 inch Front Blade .....	190-833-000
50 inch Triple Bagger .....	19A40002000
50 inch Mulch Kit .....	77220
10 cu. ft. Poly Dump Cart .....	79991
17 cu. ft. Poly Dump Cart .....	79992
125 lb. Tow Spreader .....	79993
42 inch Sweeper .....	79994
48 inch Dethatcher .....	79995
40 inch Spike Aerator .....	79996
Stake Side Kit .....	79997

**Notes:**



**Count on it.**