



Beacon Kit

Multi-Pro® 5800 Turf Sprayer

Model No. 120-8505

Installation Instructions

Safety

Safety and Instructional Decals



Safety decals and instructions are easily visible to the operator and are located near any area of potential danger. Replace any decal that is damaged or lost.



120-0771

1. Beacon light

Installation

Loose Parts

Use the chart below to verify that all parts have been shipped.

Procedure	Description	Qty.	Use
1	Wire harness	1	Install the wire harness and switch.
	Beacon switch	1	
2	Beacon bracket	1	Assemble and mount the beacon.
	Beacon socket with connector	1	
	Beacon	1	
	U-bolt	2	
	Lock nut (3/8 inch)	4	

1

Installing the Beacon Switch

Parts needed for this procedure:

1	Wire harness
1	Beacon switch

Procedure

1. Remove the plug from the switch mounting hole in the dash (Figure 1).

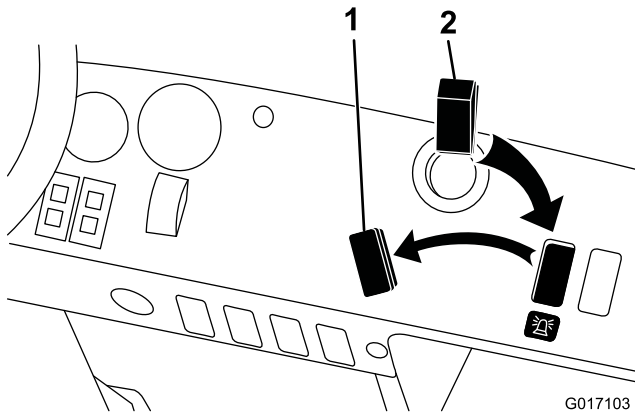


Figure 1

1. Plug
2. Beacon switch

2. Clean the surface below the mounting hole and install the beacon decal onto the dash.
3. Insert the beacon switch into the hole in the dash (Figure 1).
4. Following the existing wire harness, route the switch connector end of the wire harness up the dash.
5. Plug the wire harness connector onto the switch terminals.
6. Following the existing wire harness, route the section of the harness with the ring terminal connector and the fuse block connector to the fuse block and grounding block (Figure 2).

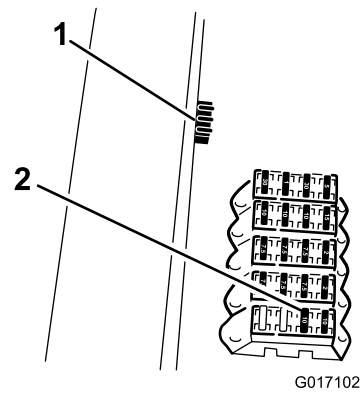


Figure 2

1. Grounding block
2. Fuse block

7. Plug the wire harness connector into the fuse block.

Note: If there are no available power terminals on the fuse block, the Fuse Block Kit (92-2641) may be purchased separately from your Toro Distributor.

8. Secure the harness ring terminal to an empty terminal on the grounding block.
9. Move the harness away from any hot or rotating components and avoid any possible pinch points.

2

Assembling and Mounting the Beacon

Parts needed for this procedure:

1	Beacon bracket
1	Beacon socket with connector
1	Beacon
2	U-bolt
4	Lock nut (3/8 inch)

Procedure

1. Position the machine on a level surface. Apply the parking brake, stop the engine, and remove the key.
2. Following the existing wire harness, route the wire harness to the right upright of the ROPS.
3. Install the beacon bracket to the ROPS bar securely with the 2 U-bolts and 4 locknuts provided (Figure 3).

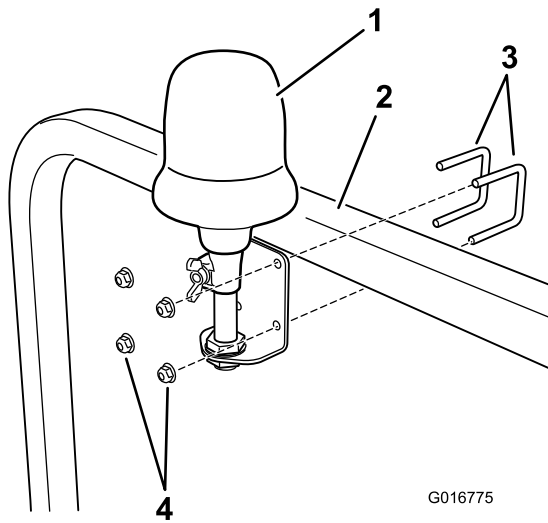


Figure 3

- | | |
|-------------|-------------|
| 1. Beacon | 3. U-bolts |
| 2. ROPS bar | 4. Locknuts |

7. Mount the beacon assembly to the beacon bracket (Figure 4).
8. Plug the beacon onto the socket and tighten the wing nut (Figure 4).

4. Remove the beacon connector from the beacon socket (Figure 4).

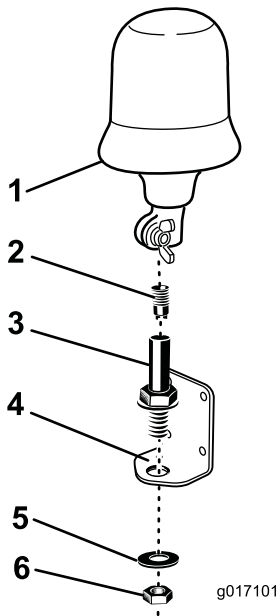


Figure 4

- | | |
|---------------------|-------------------|
| 1. Beacon | 4. Beacon bracket |
| 2. Beacon connector | 5. Washer |
| 3. Beacon socket | 6. Jam nut |

5. Route the wire harness up the ROPS, through the beacon bracket, through the beacon socket and plug it into the beacon connector.
6. Install the beacon socket to the connector by rotating the beacon socket. This will prevent twisting the wire harness.

Maintenance

Maintenance Tips

- Verify that the bulb is functional and that the reflector rotates properly.
- Clean the beacon regularly with a non petroleum-based cleaner.
- Always verify that the beacon is secured firmly to the sprayer before use.
- Ensure that the drain slots are kept clear of debris.
- If the machine is going to be stored outdoors, verify that the lens is secured properly to prevent water from entering the beacon.