



License Plate Kit

Multi-Pro® 5800 Turf Sprayer

Model No. 120-8506

Installation Instructions

Installation

Loose Parts

Use the chart below to verify that all parts have been shipped.

Procedure	Description	Qty.	Use
1	Plate light	1	Install the license plate bracket.
	License plate bracket	1	
	Phillips-head screw (10-24 x 5/8inch)	2	
	Lock nut (10-24)	2	
	License plate bracket	1	
	Hex-head flange screw (5/16-18 inch)	4	
	Lock nut (5/16 inch)	1	
2	No parts required	–	Connect to the wire harness.

1

Installing the License Plate Bracket

Parts needed for this procedure:

1	Plate light
1	License plate bracket
2	Phillips-head screw (10-24 x 5/8inch)
2	Lock nut (10-24)
1	License plate bracket
4	Hex-head flange screw (5/16-18 inch)
1	Lock nut (5/16 inch)

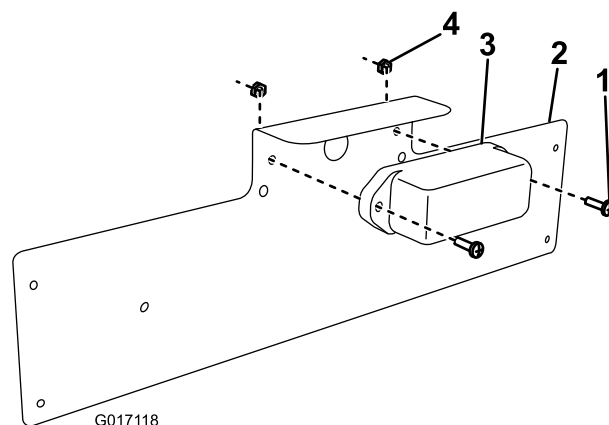


Figure 1

1. Phillips-head screw (10-24 x 5/8inch)
 2. License plate bracket
 3. Plate light assembly
 4. Lock nut
2. Install the light and bracket assembly to the mount using two hex-head flange screws (5/16-18 inch) and two lock nuts (5/16 inch) as shown in Figure 2.

Procedure

1. Install the plate light assembly to the license plate bracket using two phillips-head screws (10-24 x 5/8inch) and two lock nuts (10-24) as shown in Figure 1.

2

Connecting to the Wire Harness

No Parts Required

Procedure

Locate the bullet nose connectors on the Road Light harness labeled license light. Connect those to the back of the license plate lamp.

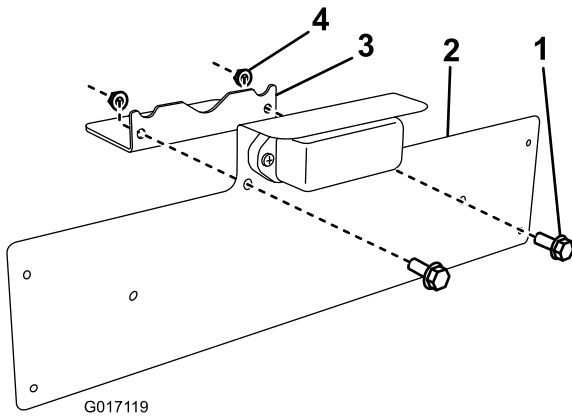


Figure 2

- | | |
|---|---------------------------------|
| 1. Hex-head flange screw (5/16–18 inch) | 3. Mount bracket |
| 2. Light and bracket assembly | 4. Lock nut (5/16 inch) (10-24) |

-
3. Install the license plate bracket assembly to the center boom. Use two hex-head flange screws (5/16-18 inch) and two lock nuts (5/16 inch) to secure the assembly to the boom (Figure 1).

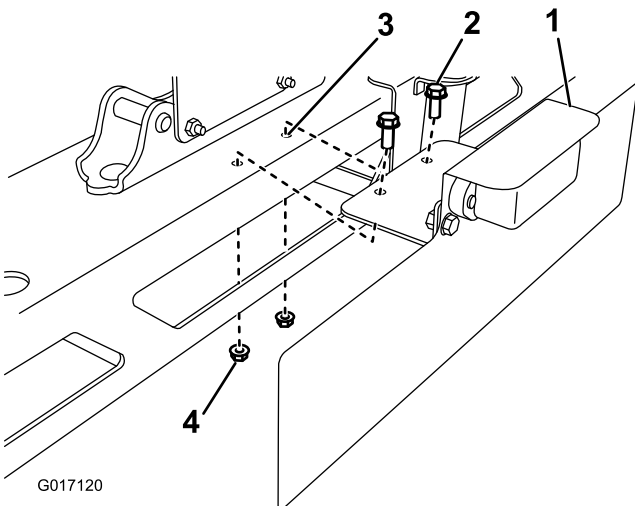


Figure 3

- | | |
|---|---------------------------------|
| 1. License plate bracket assembly | 3. Center boom |
| 2. Hex-head flange screw (5/16–18 inch) | 4. Lock nut (5/16 inch) (10-24) |