



**Count on it.**

**Parts Catalog**

**ProCore® SR54 Aerator**

Model No. 09931—Serial No. 311000001 and Up

# Ordering Replacement Parts

To order replacement parts, please supply the part number, the quantity, and the description of each part desired.

## Understanding Reference Numbers

Each identified part in an illustration has a reference number. The reference number for a part also appears in the parts list, along with other information about the part.

This catalog uses two special reference number formats, one to indicate parts in a service assembly and another to indicate the quantity of a given part in an illustration.

## Service Assembly Reference Numbers

Parts in service assemblies have reference numbers in the form a:b. The a represents the reference number of the entire service assembly and the b represents a sequential number unique to each part within the service assembly.

For example, a wheel assembly might be identified by reference number 6, the tire by 6:1, the valve by 6:2, and the wheel by 6:3. When you order the assembly identified by reference number 6, you receive all parts identified by reference numbers 6:1, 6:2, and 6:3. However, you may also order any part individually. Reference numbers of this type appear in illustration and in parts lists.

## Reference Numbers Indicating Quantity

In an illustration, if a reference number indicates more than one part, the reference number has the form nX y. The n represents the quantity of the part, the X is the multiplication symbol, and the y represents the reference number.

For example, in an illustration, the reference number 2X 37 means that two of the parts identified by reference number 37 are indicated.

# List of Abbreviations

**AR:** as required

**ASM:** assembly

**BBC:** blade brake control

**BHTF:** button head thread forming

**CARR:** carriage

**CCW:** counter clockwise

**CW:** clockwise

**DEG:** degrees

**DPA:** Dual Point Adjustment

**ECM:** electronic control module

**EXT:** external

**FH:** flat head

**GA:** gauge

**HD:** heavy-duty

**HF:** hex flange

**HH:** hex head

**HHF:** hex head flange

**HHFTF:** hex head flange thread forming

**HJ:** hex jam

**HLH:** hex lag head

**HOC:** height-of-cut

**HSBH:** hex socket button head

**HSFH:** hex socket flat head

**HSH:** hex socket head

**HWH:** hex washer head

**HWTF:** hex washer head thread forming

**HYD:** hydraulic

**LH:** left hand

**LP:** Liquid Propane

**NI:** nylon insert

**NPTF:** national pipe thread fine

**PFH:** phillips flat head

**PPH:** phillips pan head

**PPHTF:** phillips pan head thread forming

**PRH:** phillips round head

**PTH:** phillips truss head

**PTO:** power-take-off

**RH:** right hand

**ROPS:** roll-over protection system

**RRB:** rear roller brush

**SFH:** slotted fillister head

**SHH:** slotted hex head

**SHWH:** slotted hex washer head

**SPH:** slotted pan head

**SQH:** square head

**SRH:** slotted round head

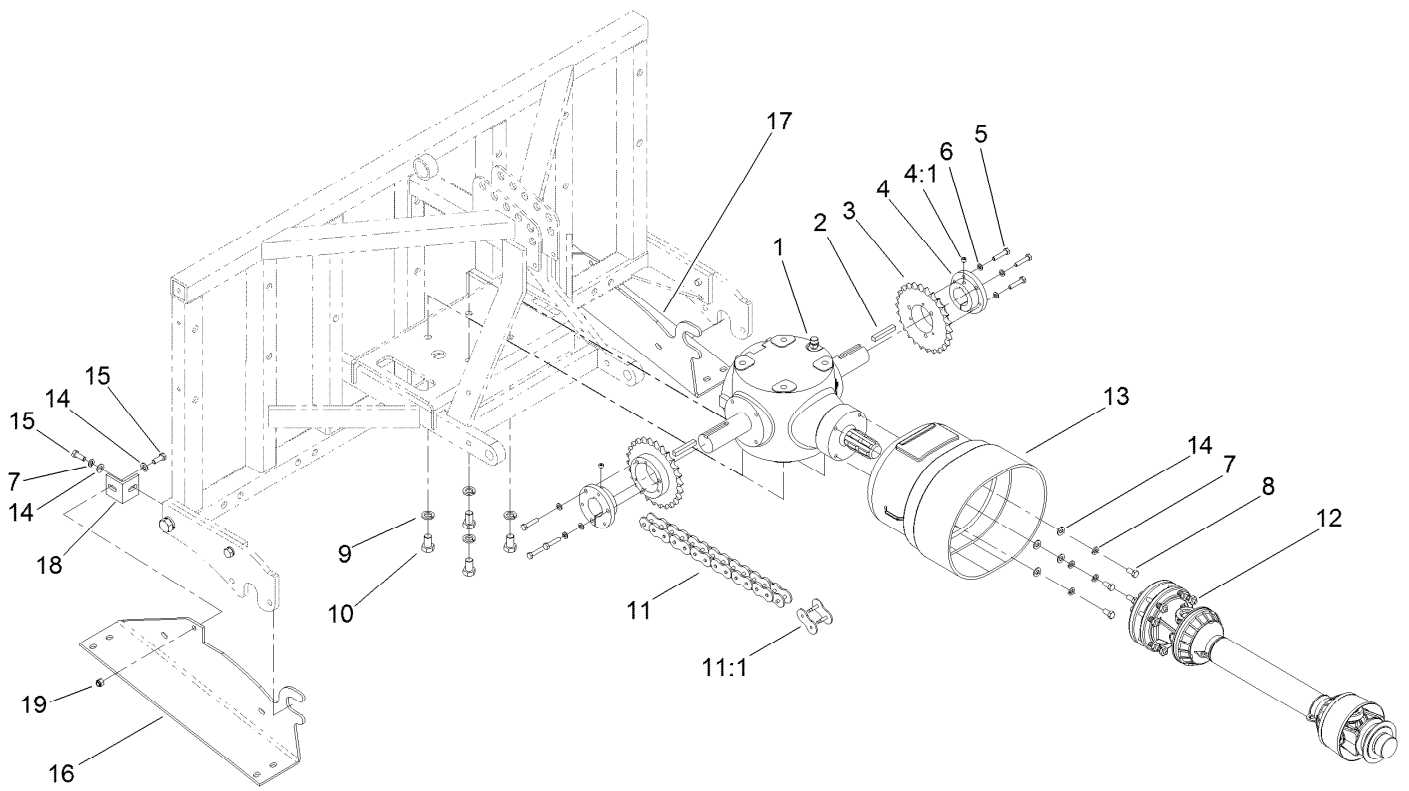
**STD:** standard

**TAP:** self tapping

**TTH:** torx truss head

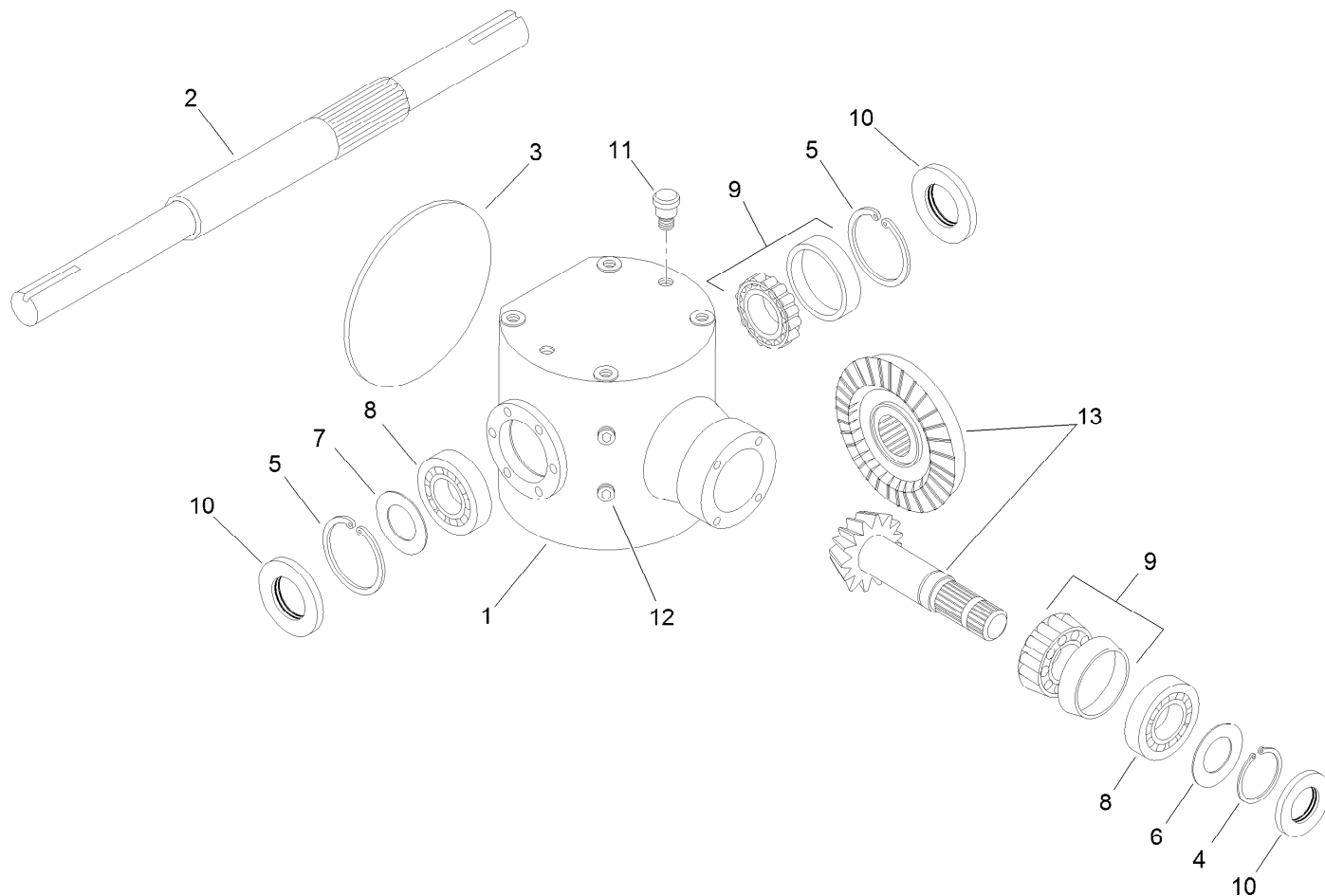
# Contents

|  |    |
|--|----|
| Drive Assembly .....                   | 4  |
| Gearbox Assembly No. SG507000-03 ..... | 5  |
| PTO Shaft Assembly No. SG528004 .....  | 6  |
| Frame and Roller Assembly .....        | 7  |
| LH Crankshaft Assembly .....           | 9  |
| Center Crankshaft Assembly .....       | 10 |
| RH Crankshaft Assembly .....           | 11 |
| Idler Assembly .....                   | 12 |
| Connecting Rod Assembly .....          | 13 |
| Hinge Assembly .....                   | 14 |
| Linkage Arm Assembly .....             | 15 |
| Head and Spring Assembly .....         | 16 |
| Screen and Hood Assembly .....         | 17 |
| Rear Guard Assembly .....              | 18 |
| Attachments and Accessories .....      | 19 |



## Drive Assembly

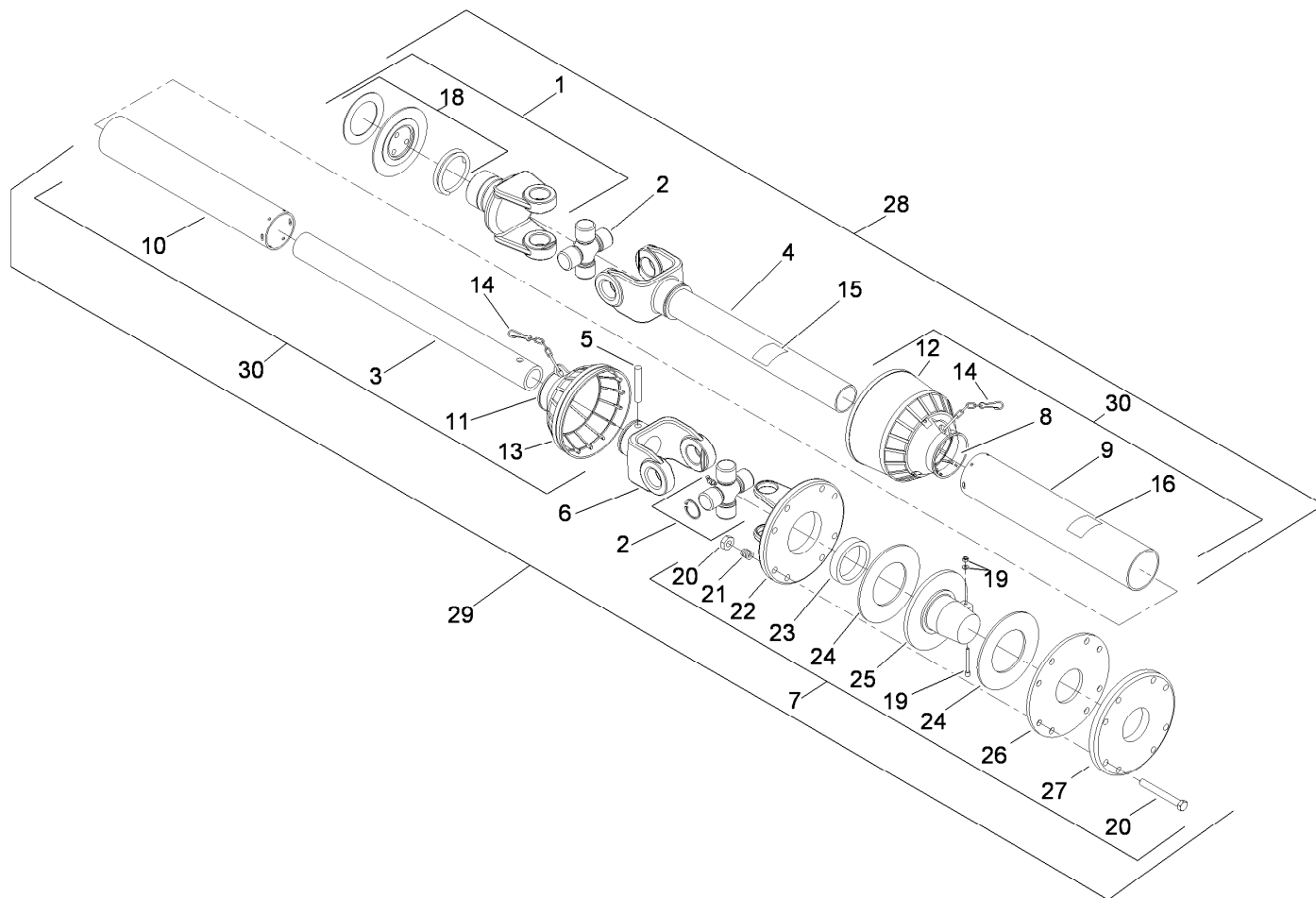
| <i>Ref.</i> | <i>Part Number</i> | <i>Qty.</i> | <i>Description</i> | <i>Ref.</i> | <i>Part Number</i> | <i>Qty.</i> | <i>Description</i> |
|-------------|--------------------|-------------|--------------------|-------------|--------------------|-------------|--------------------|
| 1           | SG507000-03        | 1           | Gearbox            | 11          | SG580154           | 2           | Chain-O-Ring       |
| 2           | 80-6140            | 2           | Key-Square         | 11:1        | SG581083           | 1           | Link-Master        |
| 3           | SG517026           | 2           | Gearbox-Sprocket   | 12          | SG528004           | 1           | Shaft-PTO          |
| 4           | SG527054           | 2           | Sprocket-Hub       | 13          | SG4170401          | 1           | Cone-Shaft         |
| 4:1         | 3246-4             | 1           | Screw-Set          | 14          | 3256-24            | 8           | Washer-Flat        |
| 5           | 5-1470             | 6           | Screw-HH           | 15          | 323-6              | 4           | Screw-HH           |
| 6           | 3253-4             | 6           | Washer-Lock        | 16          | 117-7138-03        | 1           | Stand-Storage, RH  |
| 7           | 3253-21            | 6           | Washer-Lock        | 17          | 117-7139-03        | 1           | Stand-Storage, LH  |
| 8           | 323-4              | 4           | Screw-HH           | 18          | 117-7081-03        | 2           | Angle-Mounting     |
| 9           | 3253-8             | 4           | Washer-Lock        | 19          | 3296-39            | 2           | Nut-Lock, NI       |
| 10          | 327-2              | 4           | Screw-HH           |             |                    |             |                    |



## Gearbox Assembly No. SG507000-03

| Ref. | Part Number | Qty. | Description            |
|------|-------------|------|------------------------|
| 1    |             | 1    | Housing-Gearbox ●      |
| 2    | 119-3236    | 1    | Shaft-Output           |
| 3    | 119-3222    | 1    | Cover-Housing, Gearbox |
| 4    | 119-3224    | 1    | Circlip-External       |
| 5    | 119-3225    | 2    | Circlip-External       |
| 6    | 119-3226    | 1    | Shim Kit               |
| 7    | 119-3227    | 1    | Shim Kit               |
| 8    | 119-3228    | 2    | Bearing-Ball           |
| 9    | 119-3230    | 2    | Bearing-Roller         |
| 10   | 119-3231    | 3    | Seal-Oil               |
| 11   | 119-3218    | 1    | Plug-Breather          |
| 12   | 119-3219    | 3    | Plug-HSH               |
| 13   | 119-3232    | 1    | Gear-Bevel, Gearbox    |

● Not serviced separately

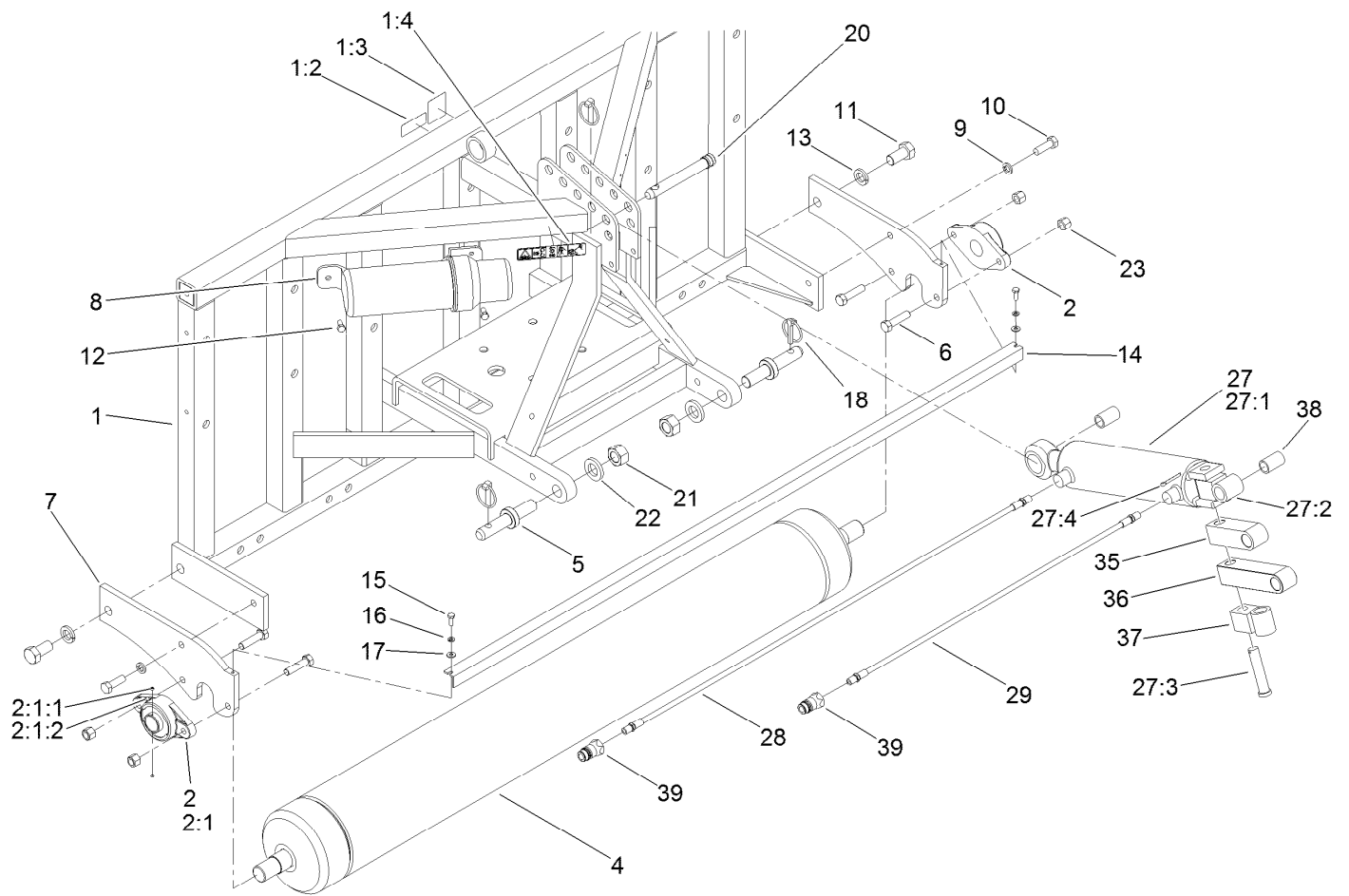


## PTO Shaft Assembly No. SG528004

| Ref. | Part Number | Qty. | Description                | Ref. | Part Number | Qty. | Description                |
|------|-------------|------|----------------------------|------|-------------|------|----------------------------|
| 1    | 119-3100    | 1    | Yoke-Tractor Side          | 16   | 119-3115    | 1    | Decal-Danger               |
| 2    | 119-3101    | 2    | Cross And Bearing Kit      | 17   | 119-3116    | 1    | Booklet-Instruction, Usa ● |
| 3    |             | 1    | Tube-Inner (Male PTO #4) ■ | 18   | 119-3117    | 1    | Ball And Collar Kit        |
| 4    |             | 1    | Yoke W/ Tube #4 ■          | 19   | 119-3118    | 1    | Screw And Nut ASM          |
| 5    | 119-3104    | 1    | Pin-Roll                   | 20   | 119-3119    | 8    | Bolt And Nut ASM           |
| 6    |             | 1    | Tube-Inner, Yoke #4 ■      | 21   | 119-3120    | 8    | Spring                     |
| 7    | 119-3106    | 1    | Clutch ASM                 | 22   |             | 1    | Yoke-Flange ■              |
| 8    |             | 1    | Support-Shield ■           | 23   |             | 1    | Bushing ■                  |
| 9    |             | 1    | Tube-Safety ■              | 24   | 119-3123    | 2    | Plate-Clutch               |
| 10   |             | 1    | Tube-Safety ■              | 25   |             | 1    | Hub ■                      |
| 11   |             | 1    | Connector ■                | 26   | 119-3125    | 1    | Plate-Pressure             |
| 12   |             | 1    | Cone Sets ■                | 27   | 119-3126    | 1    | Plate-Pressure, PTO        |
| 13   |             | 1    | Shield-Clutch ■            | 28   | 119-3127    | 1    | Half Shaft ASM             |
| 14   | 119-3113    | 2    | Chain-Safety               | 29   | 119-3128    | 1    | Half Shaft ASM             |
| 15   | 119-3114    | 1    | Decal-Danger               | 30   | 119-3129    | 1    | Complete Shield ASM        |

● Not illustrated

■ Not serviced separately

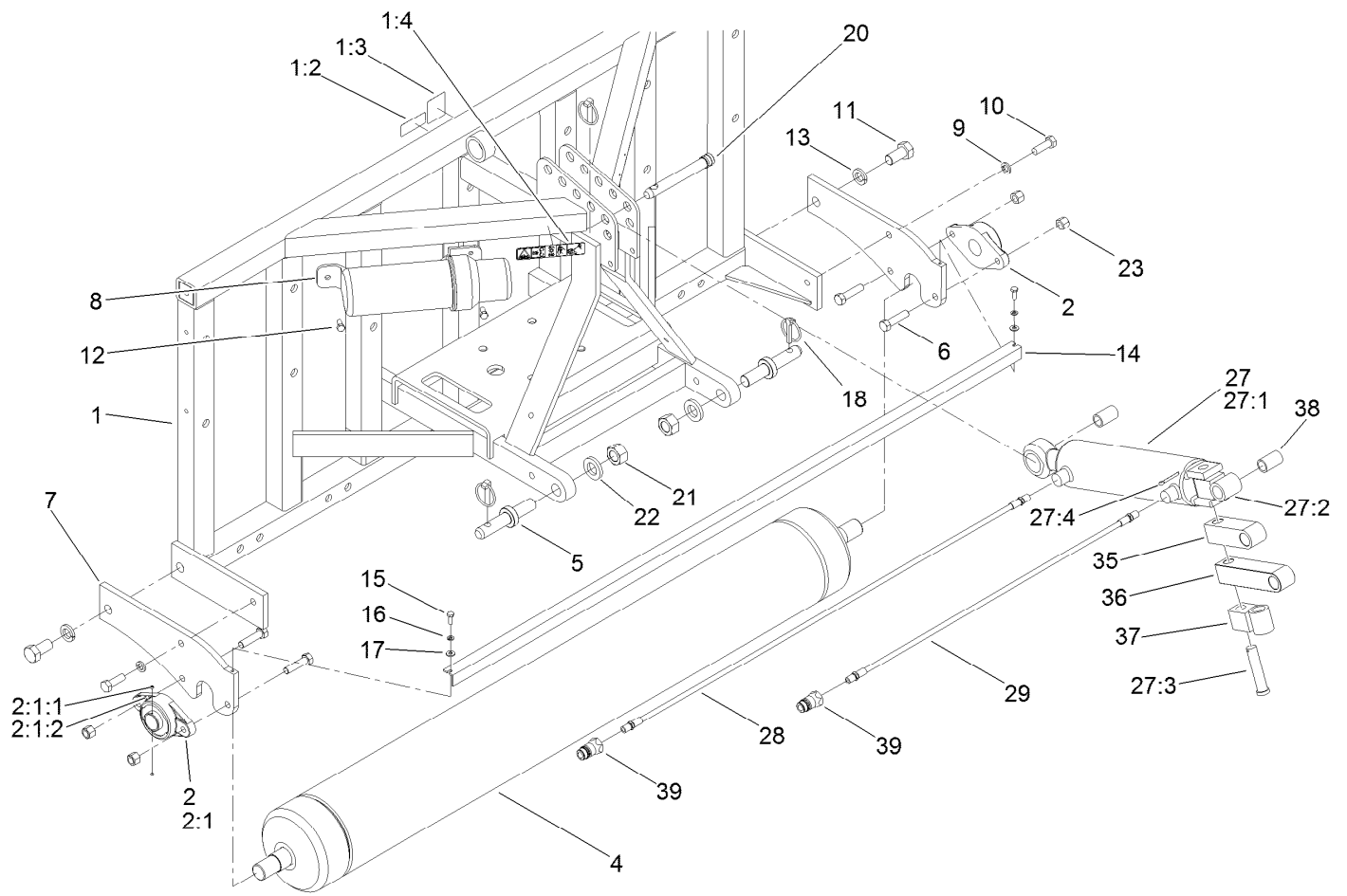


## Frame and Roller Assembly

| Ref.  | Part Number | Qty. | Description                | Ref.   | Part Number | Qty. | Description                  |
|-------|-------------|------|----------------------------|--------|-------------|------|------------------------------|
| 1     | 120-1055    | 1    | Frame ASM                  | 14     | SG678908-03 | 1    | Scraper                      |
| 1:2   | 117-7052    | 1    | Decal-No Oil               | 15     | 321-4       | 2    | Screw-HH                     |
| 1:3   | 100-3612    | 1    | Decal-Warning              | 16     | 3253-3      | 2    | Washer-Lock                  |
| 1:4   | 110-4668    | 1    | Decal-Warning, PTO         | 17     | 3256-22     | 2    | Washer-Flat                  |
| 2     | SG637070-03 | 2    | Bearing-Roller             | 18     | 100-5389    | 3    | Pin-Lynch                    |
| 2:1   |             | 1    | Bearing-Flange ■           | 20     | SG715450    | 1    | Pin-Link, Top                |
| 2:1:1 | 3245-35     | 2    | Screw-Set, HSH             | 21     | 3219-18     | 2    | Nut-Hex                      |
| 2:1:2 | 302-19      | 1    | Fitting-Grease             | 22     | 104-8322    | 2    | Washer-Hardened              |
| 4     | SG627054-03 | 1    | Roller-Main                | 23     | 3296-23     | 4    | Nut-Lock, NI                 |
| 5     | 110-4314    | 2    | Pin-Link, Cat 2            | 27     | SG715010    | 1    | HYD Cylinder ASM             |
| 5     | 110-4315    | 2    | Pin-Link, Cat 1            | 27:1   |             | 1    | Cylinder-HYD ■               |
| 6     | SG271517    | 4    | Screw-HH                   | 27:1:1 | 117-7175    | 1    | Seal Kit ●                   |
| 7     | SG639072-01 | 2    | Boot-Roller, Single        | 27:2   | 117-7182-03 | 1    | Pivot-End, Cylinder          |
| 8     | SG999018    | 1    | Canister-Manual, Operators | 27:3   | 108-2800    | 1    | Pin-Clevis                   |
| 9     | 3253-7      | 2    | Washer-Lock                | 27:4   | 3272-23     | 1    | Pin-Cotter                   |
| 10    | 325-6       | 2    | Screw-HH                   | 28     | SG795250    | 1    | Hose ASM (Long)              |
| 11    | 328-26      | 2    | Screw-HH                   | 29     | SG795245    | 1    | Hose ASM (Short)             |
| 12    | 322-3       | 2    | Screw-HH                   | 35     | SG795554-03 | 1    | Extension-Adapter, 3.50 Inch |
| 13    | 3253-9      | 2    | Washer-Lock                |        |             |      |                              |

● Not illustrated

■ Not serviced separately



## Frame and Roller Assembly (continued)

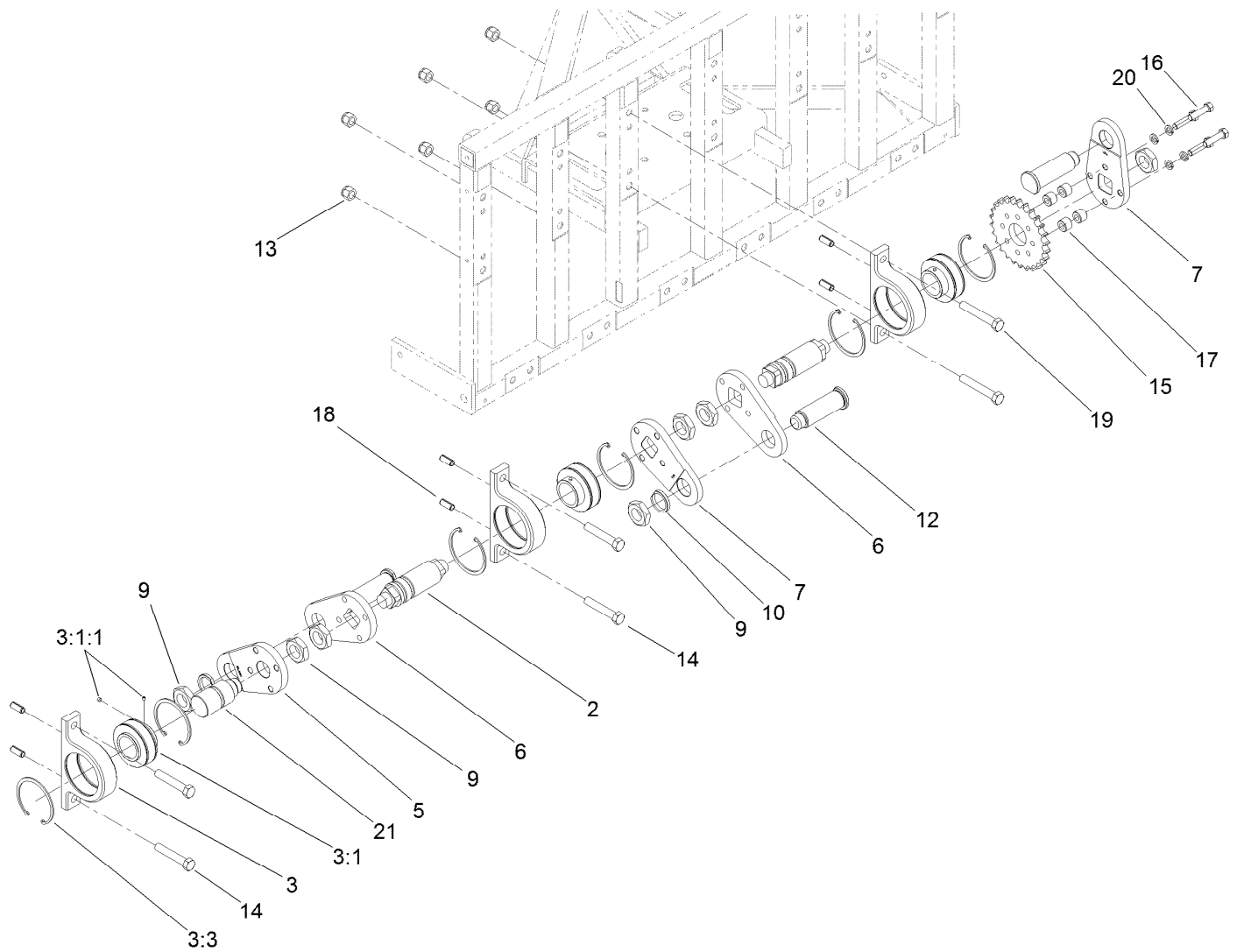
| Ref. | Part Number | Qty. | Description                  |
|------|-------------|------|------------------------------|
| 36   | SG795551-03 | 1    | Extension-Adapter, 5.50 Inch |
| 37   | 117-7124-03 | 1    | Mount-Adapter, 90 DEG        |

| Ref. | Part Number | Qty. | Description |
|------|-------------|------|-------------|
| 38   | SG555013    | 2    | Bushing     |
| 39   | 120-1032    | 2    | Fitting-HYD |

● Not illustrated

■ Not serviced separately

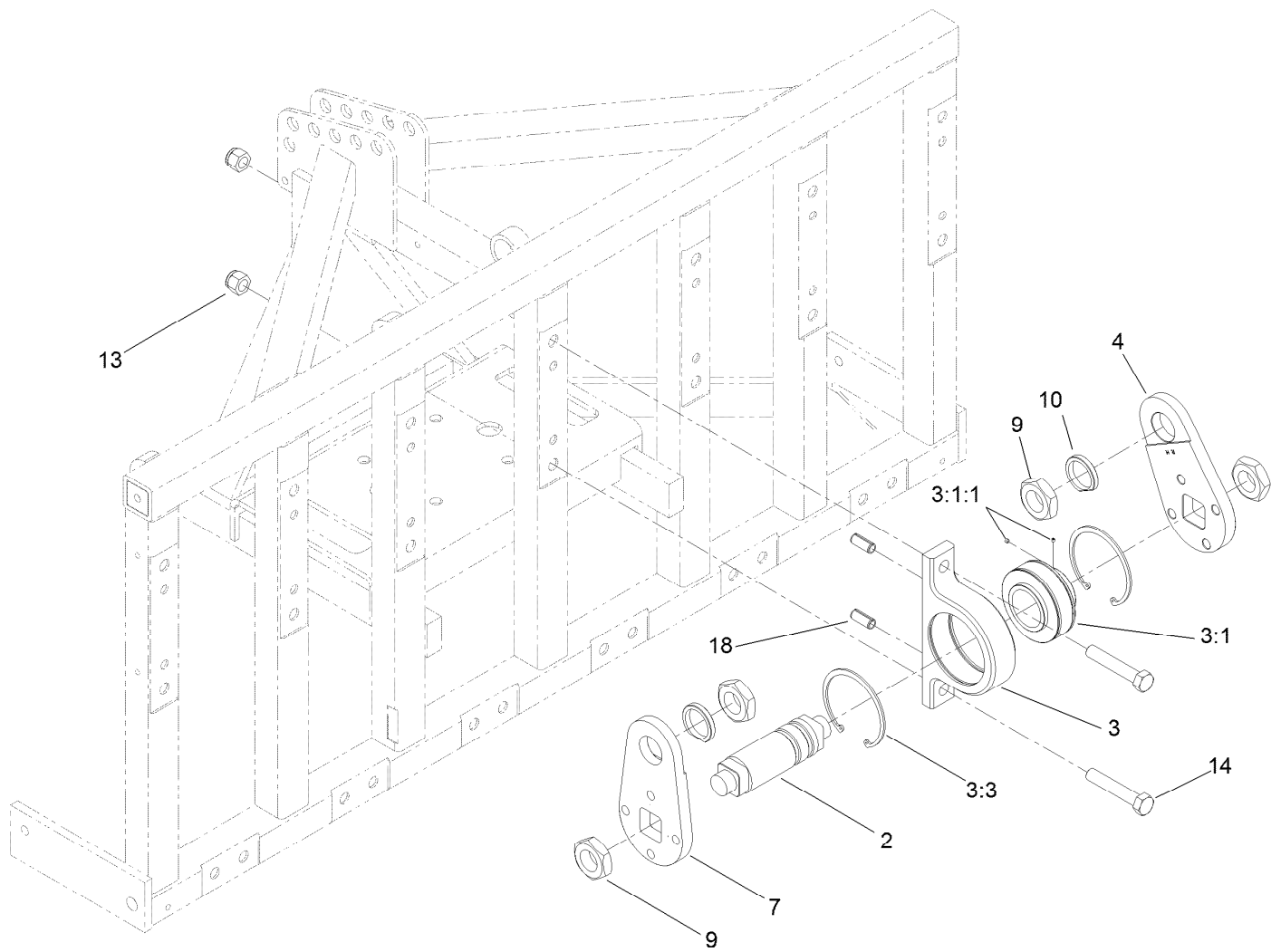




## LH Crankshaft Assembly

| Ref.  | Part Number | Qty. | Description     | Ref. | Part Number | Qty. | Description         |
|-------|-------------|------|-----------------|------|-------------|------|---------------------|
| 2     | SG217354    | 2    | Crankshaft      | 12   | SG257054    | 3    | Pin-Crank           |
| 3     | SG204577    | 3    | Bearing ASM     | 13   | 3296-53     | 6    | Nut-Lock, NI        |
| 3:1   |             | 1    | Bearing-Ball ●  | 14   | 327-14      | 4    | Screw-HH            |
| 3:1:1 | 99-0195     | 2    | Screw-Set, HSH  | 15   | SG217026    | 1    | Sprocket-Crank      |
| 3:3   | SG427540    | 2    | Ring-Retaining  | 16   | SG271517    | 4    | Screw-HH            |
| 5     | SG207054    | 1    | Arm-Crank       | 17   | SG267500    | 4    | Spacer              |
| 6     | SG217254    | 2    | Arm-Crank, Left | 18   | 105-1041    | 6    | Pin-Spring          |
| 7     | SG217054    | 2    | Arm-Crank       | 19   | 327-16      | 2    | Screw-HH            |
| 9     | SG267200    | 7    | Nut-Hex         | 20   | 3253-7      | 4    | Washer-Lock         |
| 10    | SG247540    | 2    | Washer-Clipped  | 21   | SG217557    | 1    | Shaft-Stub, Outside |

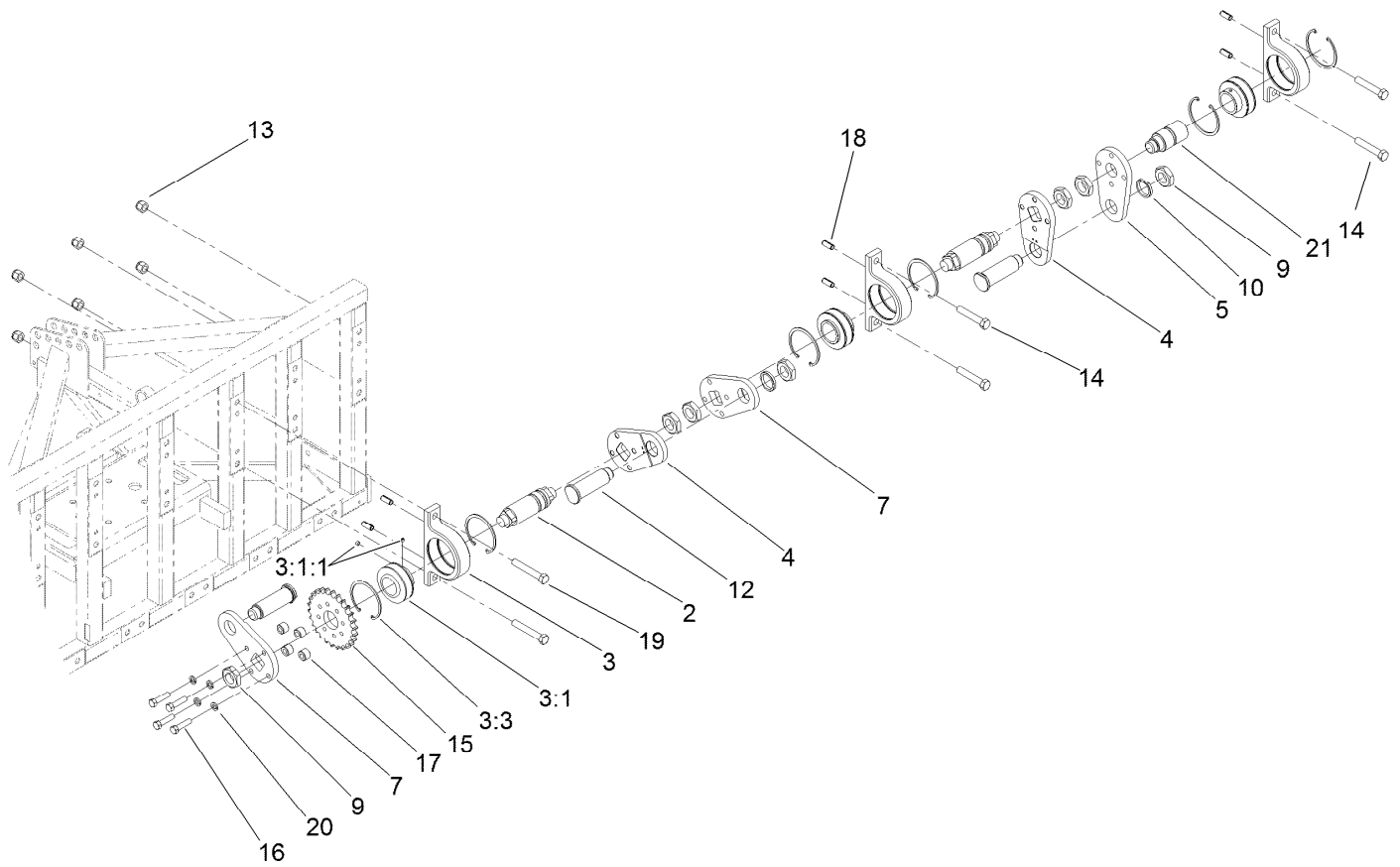
● Not serviced separately



## Center Crankshaft Assembly

| Ref.  | Part Number | Qty. | Description      |
|-------|-------------|------|------------------|
| 2     | SG217354    | 1    | Crankshaft       |
| 3     | SG204577    | 1    | Bearing ASM      |
| 3:1   |             | 1    | Bearing-Ball ●   |
| 3:1:1 | 99-0195     | 2    | Screw-Set, HSH   |
| 3:3   | SG427540    | 2    | Ring-Retaining   |
| 4     | SG217154    | 1    | Arm-Crank, Right |
| 7     | SG217054    | 1    | Arm-Crank        |
| 9     | SG267200    | 4    | Nut-Hex          |
| 10    | SG247540    | 2    | Washer-Clipped   |
| 13    | 3296-53     | 2    | Nut-Lock, NI     |
| 14    | 327-14      | 2    | Screw-HH         |
| 18    | 105-1041    | 2    | Pin-Spring       |

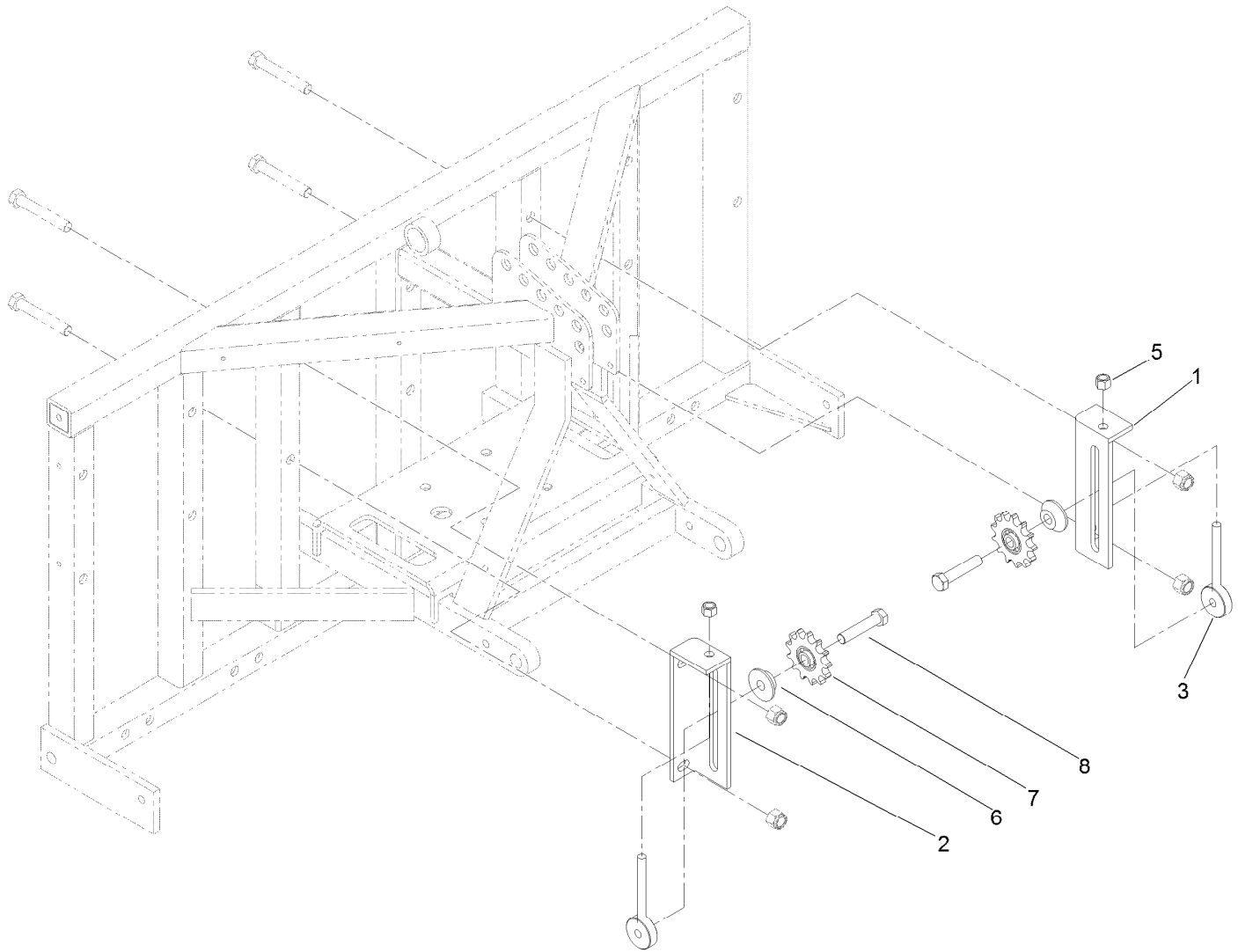
● Not serviced separately



## RH Crankshaft Assembly

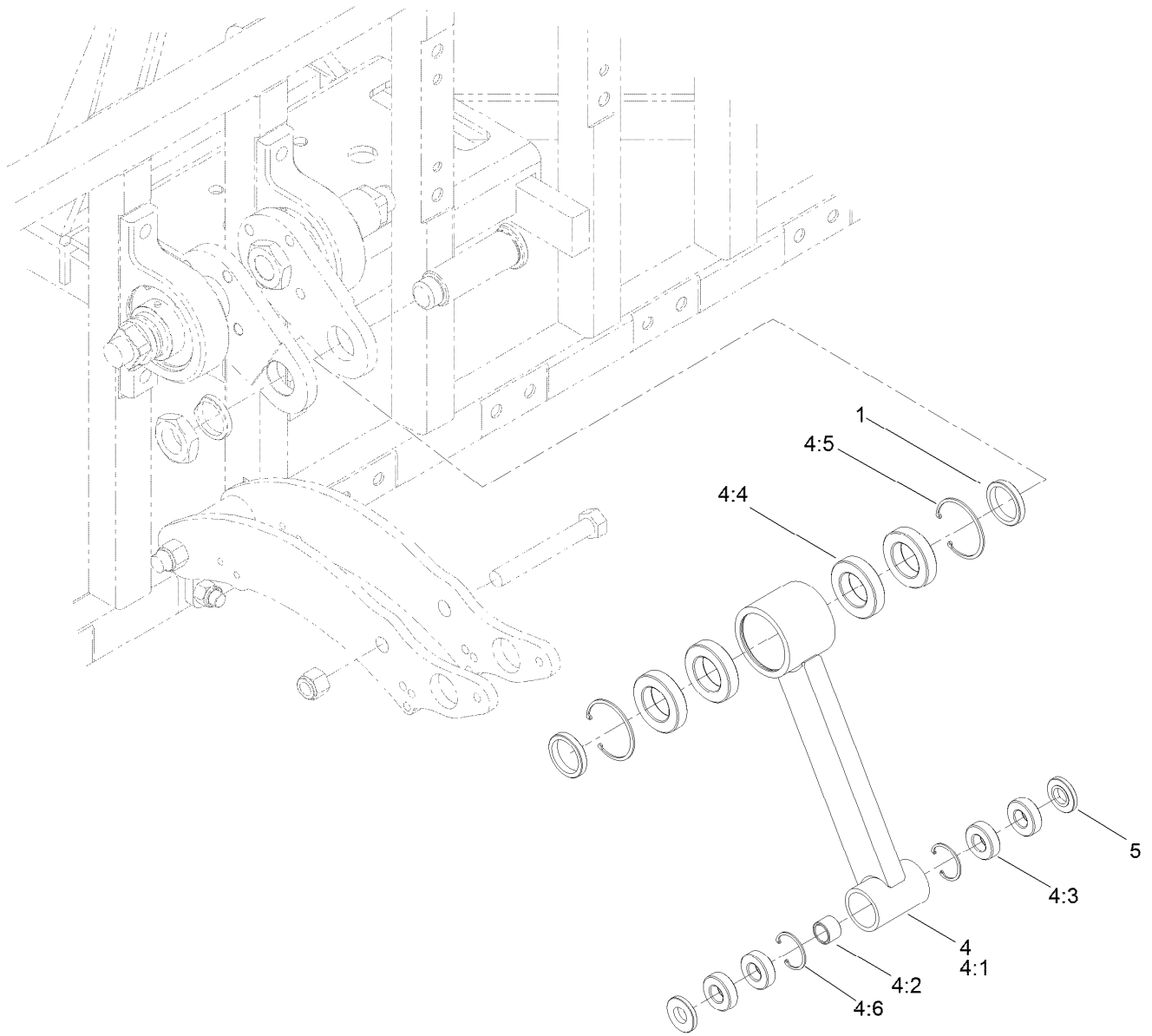
| <i>Ref.</i> | <i>Part Number</i> | <i>Qty.</i> | <i>Description</i> | <i>Ref.</i> | <i>Part Number</i> | <i>Qty.</i> | <i>Description</i>  |
|-------------|--------------------|-------------|--------------------|-------------|--------------------|-------------|---------------------|
| 2           | SG217354           | 2           | Crankshaft         | 12          | SG257054           | 3           | Pin-Crank           |
| 3           | SG204577           | 3           | Bearing ASM        | 13          | 3296-53            | 6           | Nut-Lock, NI        |
| 3:1         |                    | 1           | Bearing-Ball ●     | 14          | 327-14             | 4           | Screw-HH            |
| 3:1:1       | 99-0195            | 2           | Screw-Set, HSH     | 15          | SG217026           | 1           | Sprocket-Crank      |
| 3:3         | SG427540           | 2           | Ring-Retaining     | 16          | SG271517           | 4           | Screw-HH            |
| 4           | SG217154           | 2           | Arm-Crank, Right   | 17          | SG267500           | 4           | Spacer              |
| 5           | SG207054           | 1           | Arm-Crank          | 18          | 105-1041           | 6           | Pin-Spring          |
| 7           | SG217054           | 2           | Arm-Crank          | 19          | 327-16             | 2           | Screw-HH            |
| 9           | SG267200           | 7           | Nut-Hex            | 20          | 3253-7             | 4           | Washer-Lock         |
| 10          | SG247540           | 2           | Washer-Clipped     | 21          | SG217557           | 1           | Shaft-Stub, Outside |

● Not serviced separately



## Idler Assembly

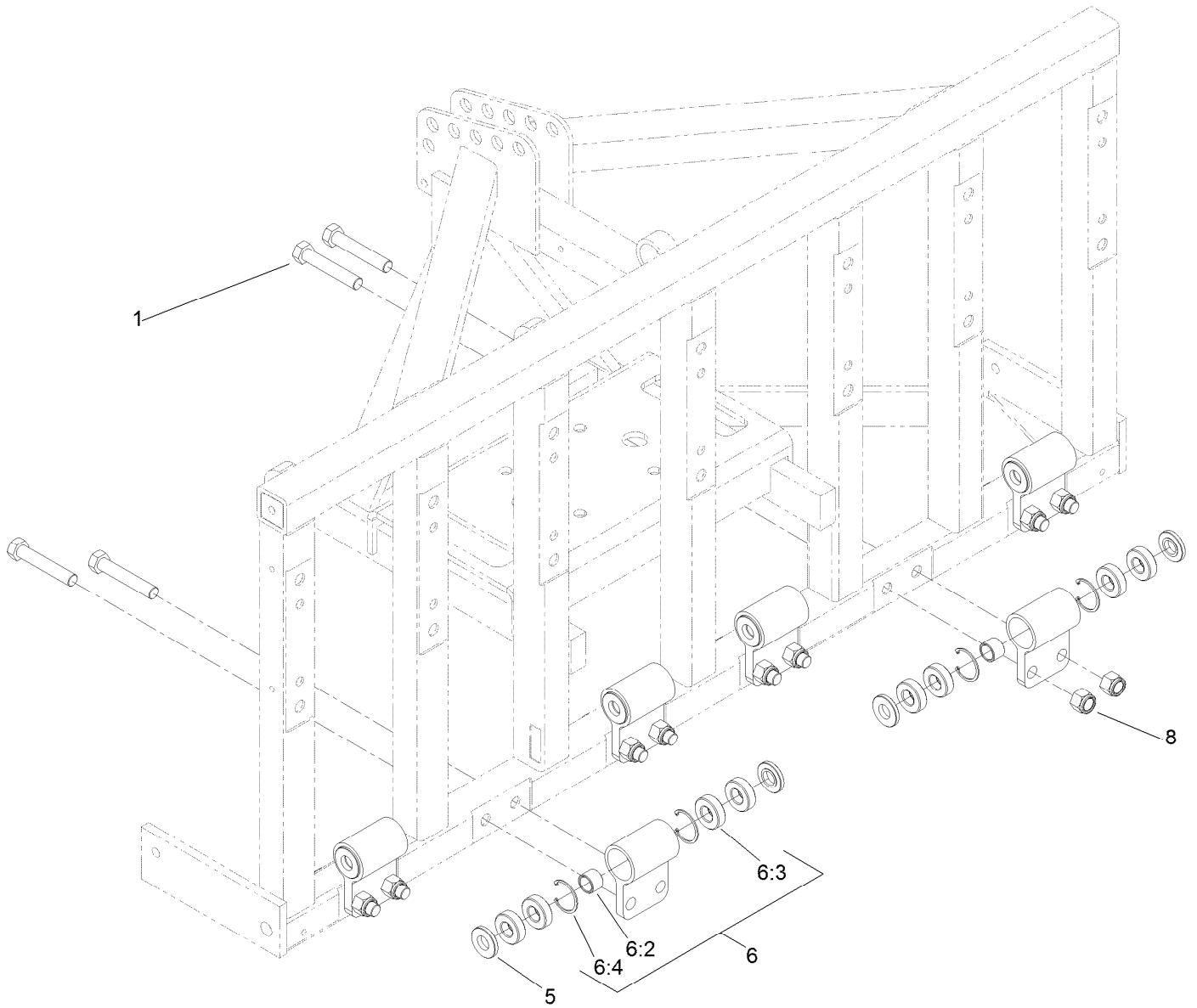
| <i>Ref.</i> | <i>Part Number</i> | <i>Qty.</i> | <i>Description</i> |
|-------------|--------------------|-------------|--------------------|
| 1           | SG587054-03        | 1           | Bracket-Idler      |
| 2           | SG597054-03        | 1           | Bracket-Idler      |
| 3           | SG587202           | 2           | Rod-Idler          |
| 5           | 3296-23            | 2           | Nut-Lock, NI       |
| 6           | SG537500           | 2           | Spacer-Offset      |
| 7           | SG517054           | 2           | Sprocket-Idler     |
| 8           | 327-9              | 2           | Screw-HH           |



## Connecting Rod Assembly

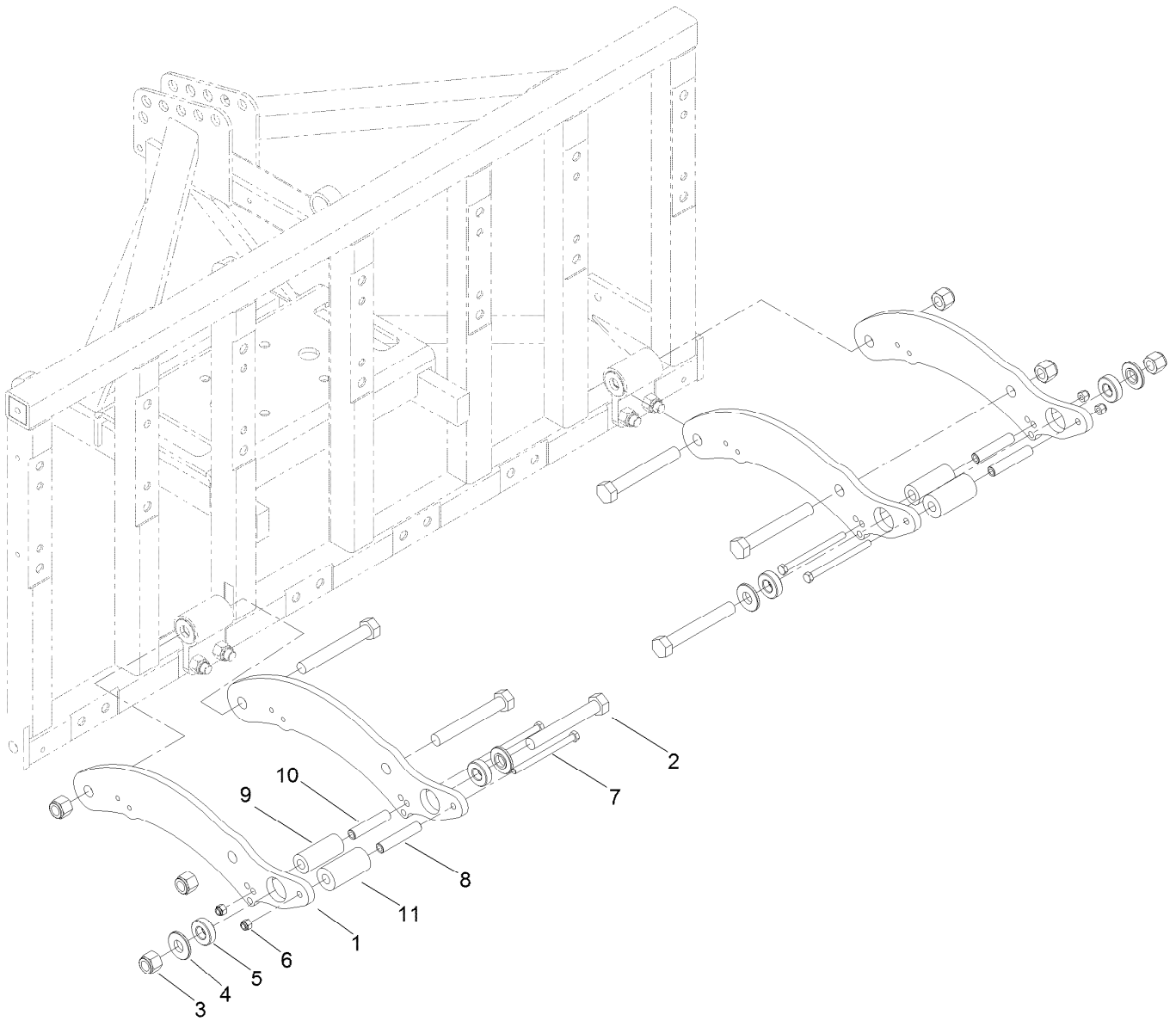
| Ref. | Part Number | Qty. | Description              |
|------|-------------|------|--------------------------|
| 1    | SG337100    | 12   | Bushing-Outer            |
| 4    | SG135154    | 6    | Connecting Rod ASM       |
| 4:1  |             | 1    | Rod-Connecting ●         |
| 4:2  | SG337010    | 1    | Bushing-Inner            |
| 4:3  | SG337075    | 4    | Bearing-Ball             |
| 4:4  | SG337590    | 4    | Bearing-Ball             |
| 4:5  | SG427541    | 2    | Ring-Retaining, Internal |
| 4:6  | SG427625    | 2    | Ring-Retaining, Internal |
| 5    | SG337050    | 12   | Bushing-Outer            |

● Not serviced separately



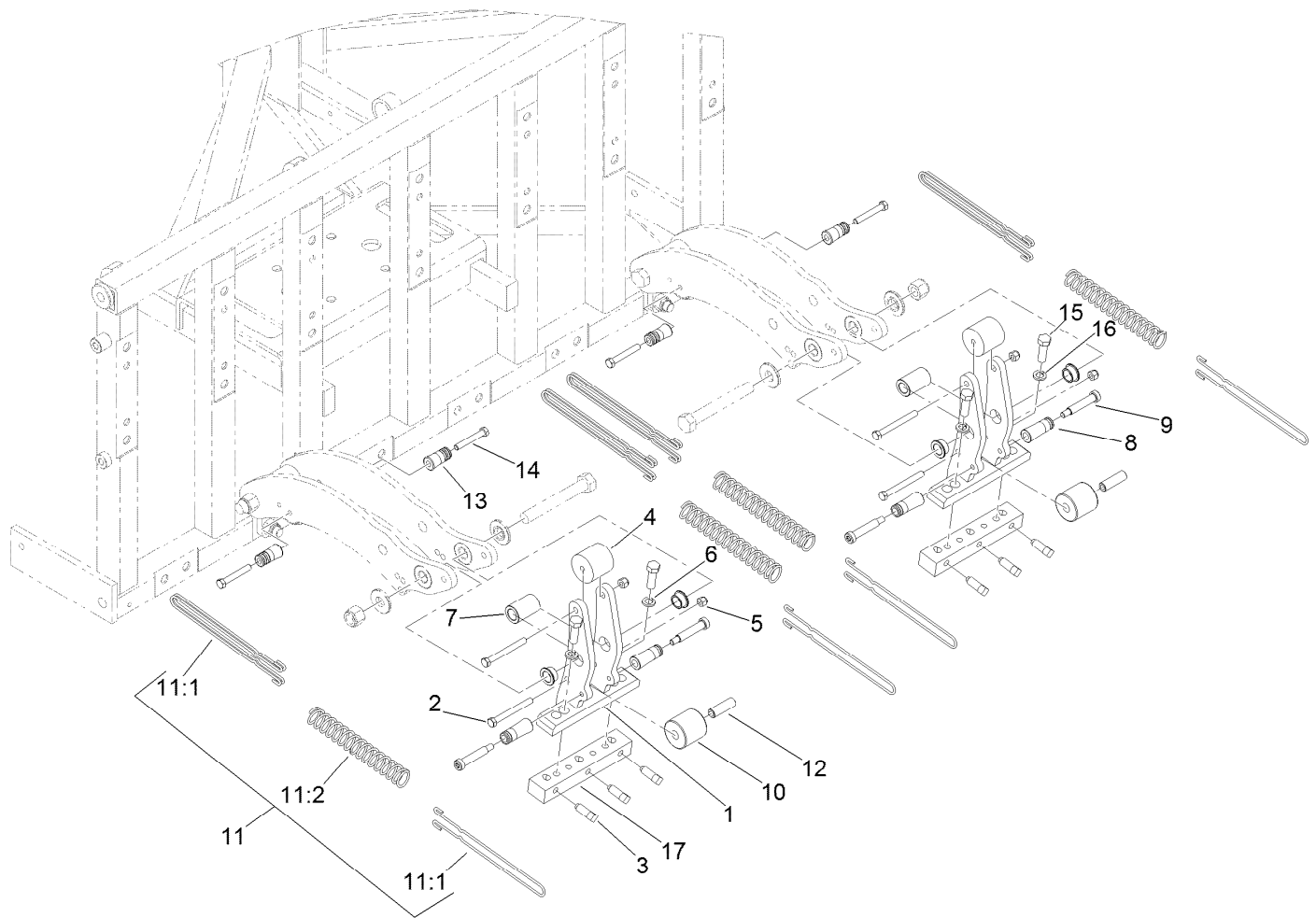
## Hinge Assembly

| <b>Ref.</b> | <b>Part Number</b> | <b>Qty.</b> | <b>Description</b>       |
|-------------|--------------------|-------------|--------------------------|
| 1           | 327-14             | 12          | Screw-HH                 |
| 5           | SG337050           | 12          | Bushing-Outer            |
| 6           | SG136354           | 6           | Rear Spool ASM           |
| 6:2         | SG337010           | 1           | Bushing-Inner            |
| 6:3         | SG337075           | 4           | Bearing-Ball             |
| 6:4         | SG427625           | 2           | Ring-Retaining, Internal |
| 8           | 3296-53            | 12          | Nut-Lock, NI             |



## Linkage Arm Assembly

| <i>Ref.</i> | <i>Part Number</i> | <i>Qty.</i> | <i>Description</i>  |
|-------------|--------------------|-------------|---------------------|
| 1           | SG387055-03        | 12          | Arm-Linkage, Arched |
| 2           | 328-12             | 18          | Screw-HH            |
| 3           | 3296-51            | 18          | Nut-Lock, NI        |
| 4           | SG437125           | 12          | Bushing-Outer       |
| 5           | SG337075           | 12          | Bearing-Ball        |
| 6           | 3296-39            | 12          | Nut-Lock, NI        |
| 7           | 323-21             | 12          | Screw-HH            |
| 8           | SG337300           | 6           | Spacer-Linkage      |
| 9           | SG487125           | 6           | Bumper-Rubber       |
| 10          | SG486312           | 6           | Spacer-Arm, Linkage |
| 11          | SG487126           | 6           | Bumper-Rubber       |

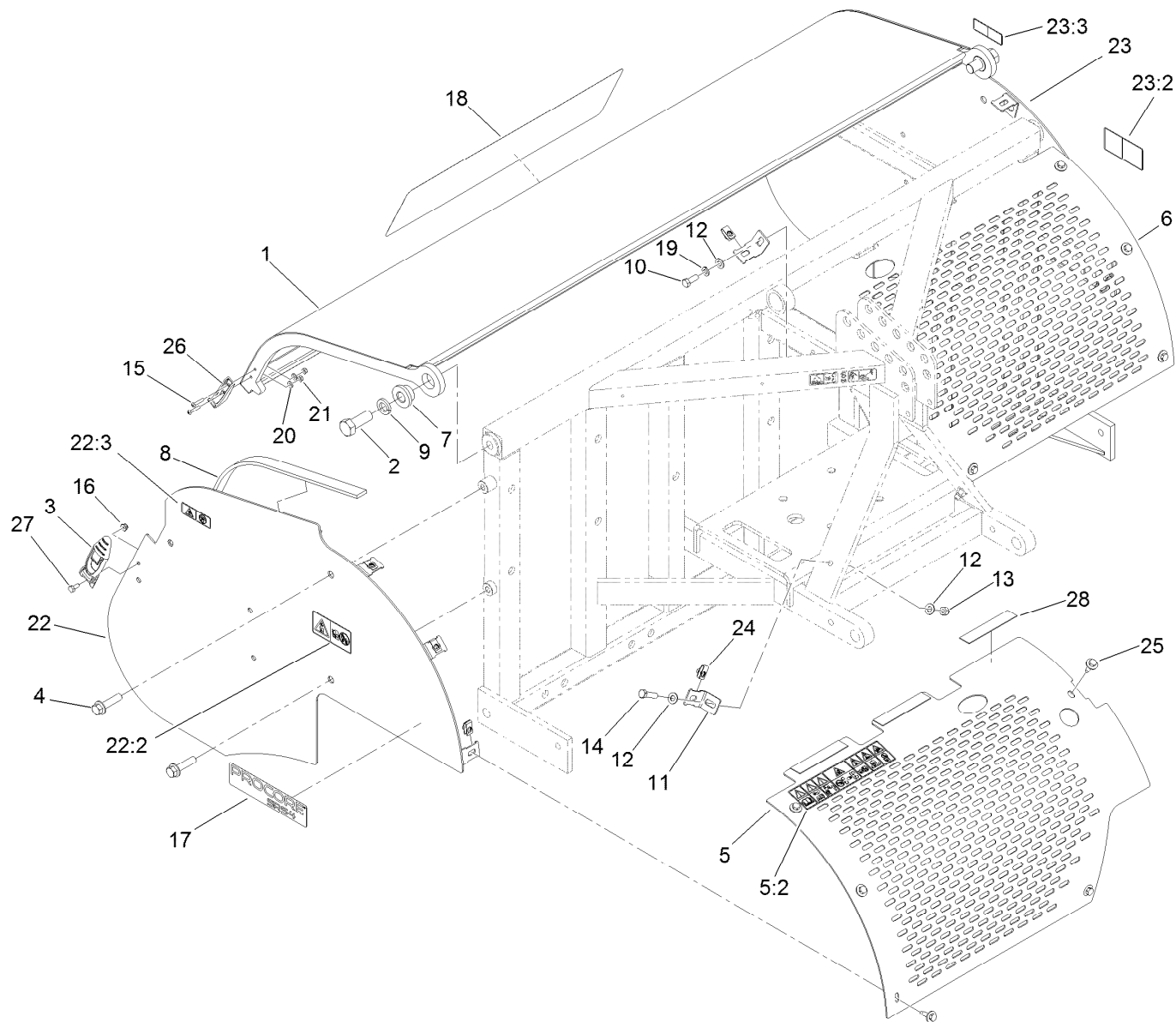


## Head and Spring Assembly

| Ref. | Part Number | Qty. | Description     | Ref. | Part Number | Qty. | Description             |
|------|-------------|------|-----------------|------|-------------|------|-------------------------|
| 1    | SG404070-03 | 6    | Head-Tine       | 11   |             | 6    | Spring ASM ●            |
| 2    | 323-15      | 12   | Screw-HH        | 11:1 | SG487256    | 3    | Wire-Draw, Spring       |
| 3    | SG477125    | 18   | Screw-Set, SQH  | 11:2 | SG487257    | 1    | Spring-Compression      |
| 4    | SG487200    | 6    | Bumper-Head     | 12   | SG486311    | 6    | Tube-Metal, Head Bumper |
| 5    | 3296-39     | 12   | Nut-Lock, NI    | 13   | SG449126-03 | 12   | Post-Spring             |
| 6    | SG447080    | 12   | Bushing-Flanged | 14   | 323-12      | 12   | Screw-HH                |
| 7    | SG437100-03 | 6    | Spacer-Head     | 15   | 325-6       | 12   | Screw-HH                |
| 8    | SG449127-03 | 12   | Post-Spring     | 16   | 3253-7      | 12   | Washer-Lock             |
| 9    | SG449129    | 12   | Bolt-Shoulder   | 17   | SGH08704-03 | 6    | Head-Tine, Adapter      |
| 10   | SG487201    | 6    | Spacer-Plastic  |      |             |      |                         |

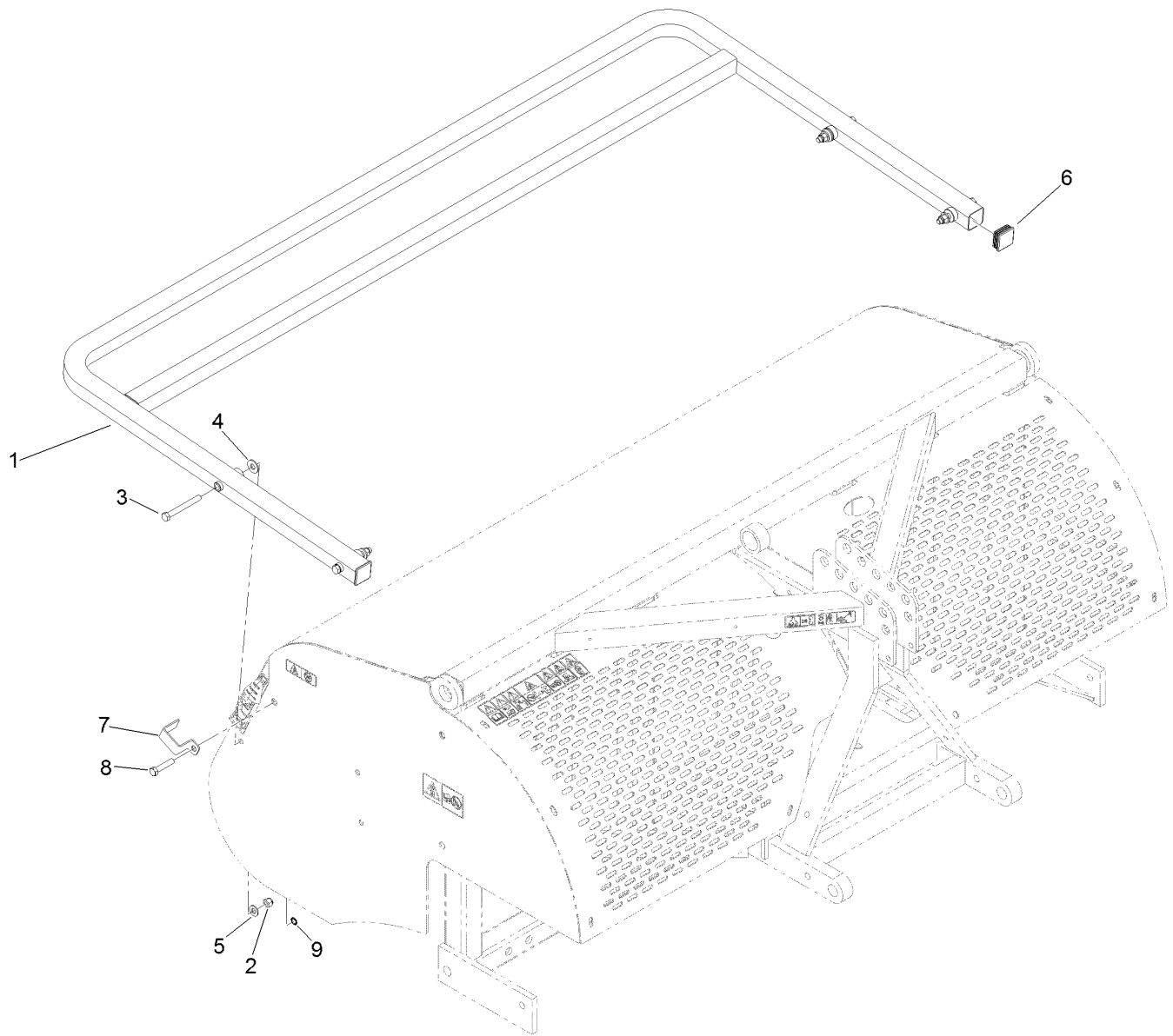
● Not serviced separately





## Screen and Hood Assembly

| Ref. | Part Number | Qty. | Description           | Ref. | Part Number | Qty. | Description                |
|------|-------------|------|-----------------------|------|-------------|------|----------------------------|
| 1    | 119-3293-03 | 1    | Hood ASM              | 18   | 117-7054    | 1    | Decal                      |
| 2    | 328-24      | 2    | Screw-HH              | 19   | 3253-21     | 2    | Washer-Lock                |
| 3    | 103-2898    | 2    | Latch-Rubber          | 20   | 3256-14     | 4    | Washer-Flat                |
| 4    | 3234-27     | 4    | Screw-HHF             | 21   | 3296-2      | 4    | Nut-Lock, NI               |
| 5    | 120-7255    | 1    | Front Right Guard ASM | 22   | 120-7256    | 1    | RH Shield ASM              |
| 5:2  | 117-7050    | 1    | Decal-Warning, Ce     | 22:2 | 117-7051    | 1    | Decal-Danger, Keep Away Ce |
| 6    | 117-7034-03 | 1    | Guard-Front. LH       | 22:3 | 120-0625    | 1    | Decal-Warning, Pinch Point |
| 7    | 120-1021    | 2    | Bushing-Hood          | 23   | 120-7257    | 1    | LH Shield ASM              |
| 8    | 120-7273    | 2    | Strip-Rubber          | 23:2 | 117-7051    | 1    | Decal-Danger, Keep Away Ce |
| 9    | 3253-9      | 2    | Washer-Lock           | 23:3 | 120-0625    | 1    | Decal-Warning, Pinch Point |
| 10   | 323-6       | 2    | Screw-HH              | 24   | 94-2413     | 10   | U-Nut                      |
| 11   | 120-1011-03 | 4    | Bracket-Shield        | 25   | 114-8418    | 10   | Screw-HWH, Sems            |
| 12   | 3256-24     | 6    | Washer-Flat           | 26   | 103-2897    | 2    | Latch-Catch                |
| 13   | 3296-39     | 2    | Nut-Lock, NI          | 27   | 321-3       | 2    | Screw-HH                   |
| 14   | 323-8       | 2    | Screw-HH              | 28   | 120-1087    | 6    | Strip-Rubber               |
| 15   | 108-3153    | 4    | Screw-HSBH            |      |             |      |                            |
| 16   | 104-7201    | 2    | Nut-HF                |      |             |      |                            |
| 17   | 117-7083    | 2    | Decal                 |      |             |      |                            |



## Rear Guard Assembly

| <i>Ref.</i> | <i>Part Number</i> | <i>Qty.</i> | <i>Description</i> |
|-------------|--------------------|-------------|--------------------|
| 1           | 120-7266-03        | 1           | Rear Guard ASM     |
| 2           | 3296-39            | 4           | Nut-Lock, NI       |
| 3           | 323-20             | 4           | Screw-HH           |
| 4           | 3256-4             | 8           | Washer-Flat        |
| 5           | 3256-24            | 4           | Washer-Flat        |
| 6           | 120-7261           | 2           | Cap-End, Square    |
| 7           | 110-4673           | 2           | Lock-Latch, Ce     |
| 8           | 323-53             | 2           | Screw-HH           |
| 9           | 32151-72           | 2           | Ring-Retaining     |

# Attachments and Accessories

## For 09931 ProCore SR54 Aerator

| <b>Product Name</b>                                  | <b>Model/Part</b> |
|--|-------------------|
| Rear Roller Kit .....                                | 09952             |
| 2x18mm Tine Head Adapter Kit .....                   | 117-7194          |
| 2x12mm or 2x5/16-inch Tine Head Adapter Kit.....     | 117-7195          |
| 4x3/8-inch or 4x5/16-inch Tine Head Adapter Kit..... | 117-7196          |
| 8x3/8-inch Tine Head Adapter Kit .....               | 117-7199          |



**Count on it.**