



**Count on it.**

**Parts Catalog**

**722 Power Throw<sup>®</sup> Snowthrower**

**Model No. 38818—Serial No. 312000001 and Up**

# Ordering Replacement Parts

To order replacement parts, please supply the part number, the quantity, and the description of each part desired.

## Understanding Reference Numbers

Each identified part in an illustration has a reference number. The reference number for a part also appears in the parts list, along with other information about the part.

This catalog uses two special reference number formats, one to indicate parts in a service assembly and another to indicate the quantity of a given part in an illustration.

## Service Assembly Reference Numbers

Parts in service assemblies have reference numbers in the form a:b. The a represents the reference number of the entire service assembly and the b represents a sequential number unique to each part within the service assembly.

For example, a wheel assembly might be identified by reference number 6, the tire by 6:1, the valve by 6:2, and the wheel by 6:3. When you order the assembly identified by reference number 6, you receive all parts identified by reference numbers 6:1, 6:2, and 6:3. However, you may also order any part individually. Reference numbers of this type appear in illustration and in parts lists.

## Reference Numbers Indicating Quantity

In an illustration, if a reference number indicates more than one part, the reference number has the form nX y. The n represents the quantity of the part, the X is the multiplication symbol, and the y represents the reference number.

For example, in an illustration, the reference number 2X 37 means that two of the parts identified by reference number 37 are indicated.

# List of Abbreviations

**AR:** as required

**ASM:** assembly

**BBC:** blade brake control

**BHTF:** button head thread forming

**CARR:** carriage

**CCW:** counter clockwise

**CW:** clockwise

**DEG:** degrees

**DPA:** Dual Point Adjustment

**ECM:** electronic control module

**EXT:** external

**FH:** flat head

**GA:** gauge

**HD:** heavy-duty

**HF:** hex flange

**HH:** hex head

**HHF:** hex head flange

**HHFTF:** hex head flange thread forming

**HJ:** hex jam

**HLH:** hex lag head

**HOC:** height-of-cut

**HSBH:** hex socket button head

**HSFH:** hex socket flat head

**HSH:** hex socket head

**HWH:** hex washer head

**HWTF:** hex washer head thread forming

**HYD:** hydraulic

**LH:** left hand

**LP:** Liquid Propane

**NI:** nylon insert

**NPTF:** national pipe thread fine

**PFH:** phillips flat head

**PPH:** phillips pan head

**PPHTF:** phillips pan head thread forming

**PRH:** phillips round head

**PTH:** phillips truss head

**PTO:** power-take-off

**RH:** right hand

**ROPS:** roll-over protection system

**RRB:** rear roller brush

**SFH:** slotted fillister head

**SHH:** slotted hex head

**SHWH:** slotted hex washer head

**SPH:** slotted pan head

**SQH:** square head

**SRH:** slotted round head

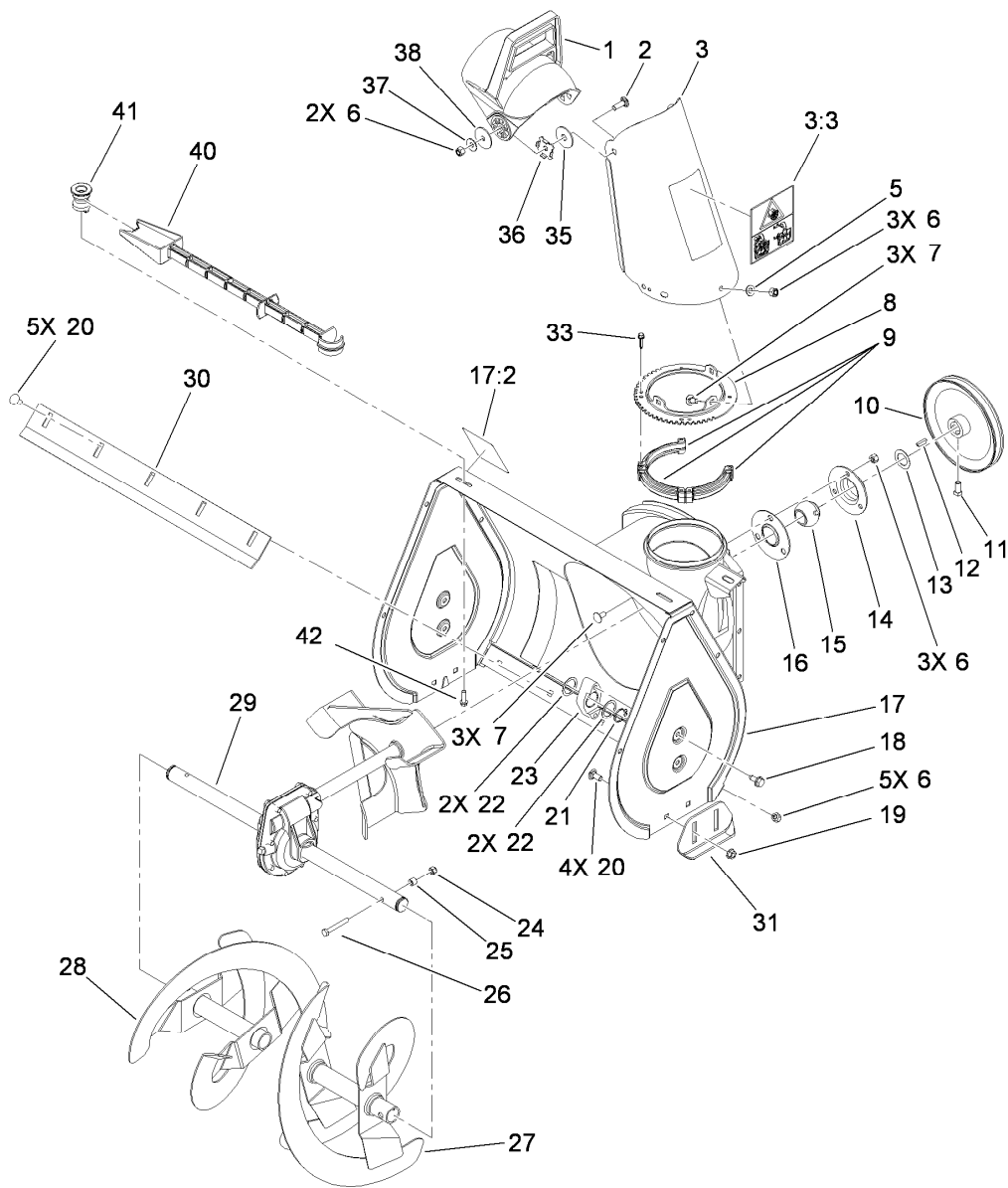
**STD:** standard

**TAP:** self tapping

**TTH:** torx truss head

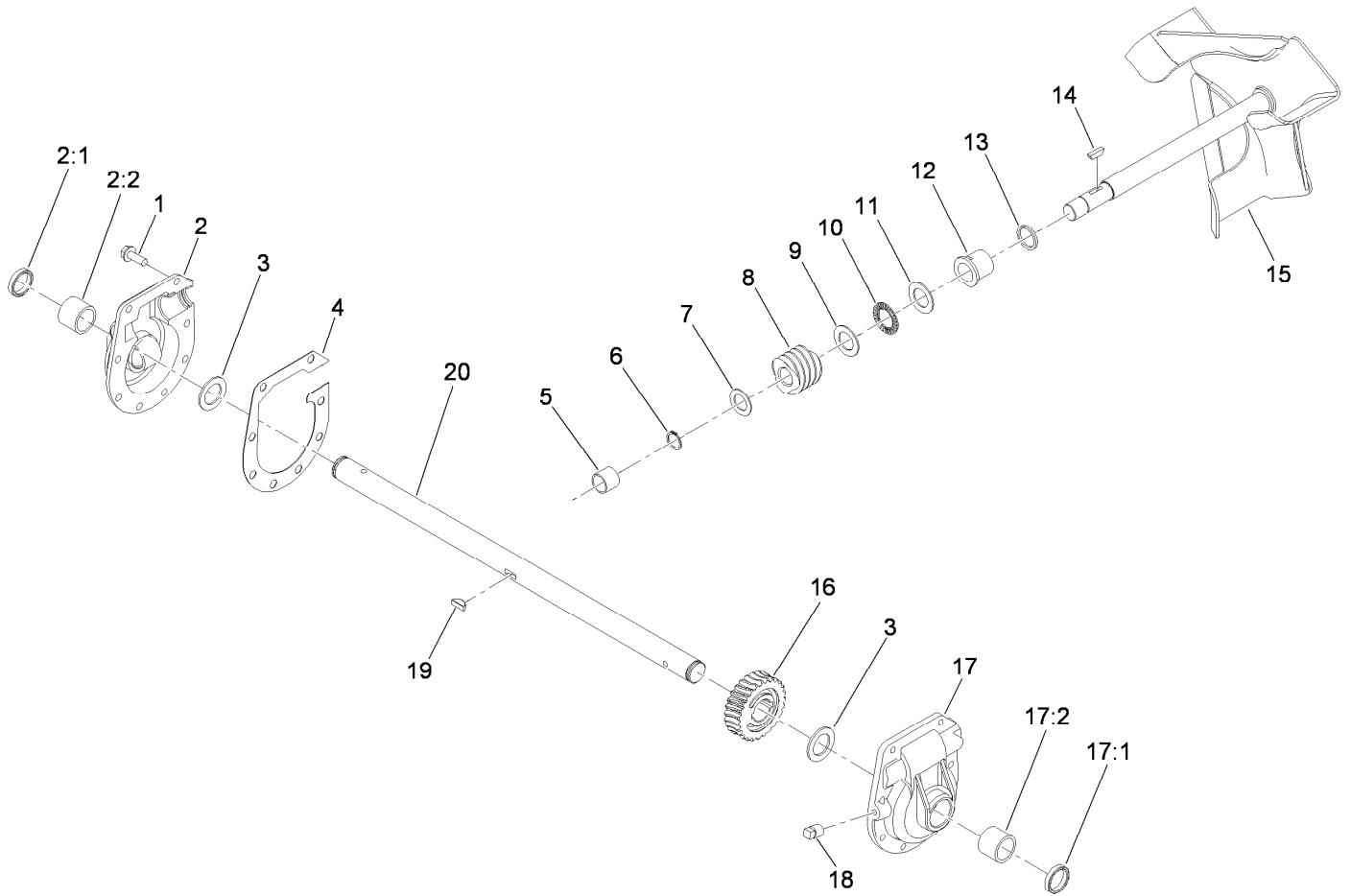
# Contents

- Auger Housing Assembly ..... 4
- 22 Inch Gear Case Assembly No. 37-6962 ..... 5
- Frame and Pulley Assembly ..... 6
- Drive Assembly ..... 7
- Engine Assembly ..... 8
- Handle and Control Assembly ..... 9
- Control Assembly ..... 11
- Attachments and Accessories ..... 12



## Auger Housing Assembly

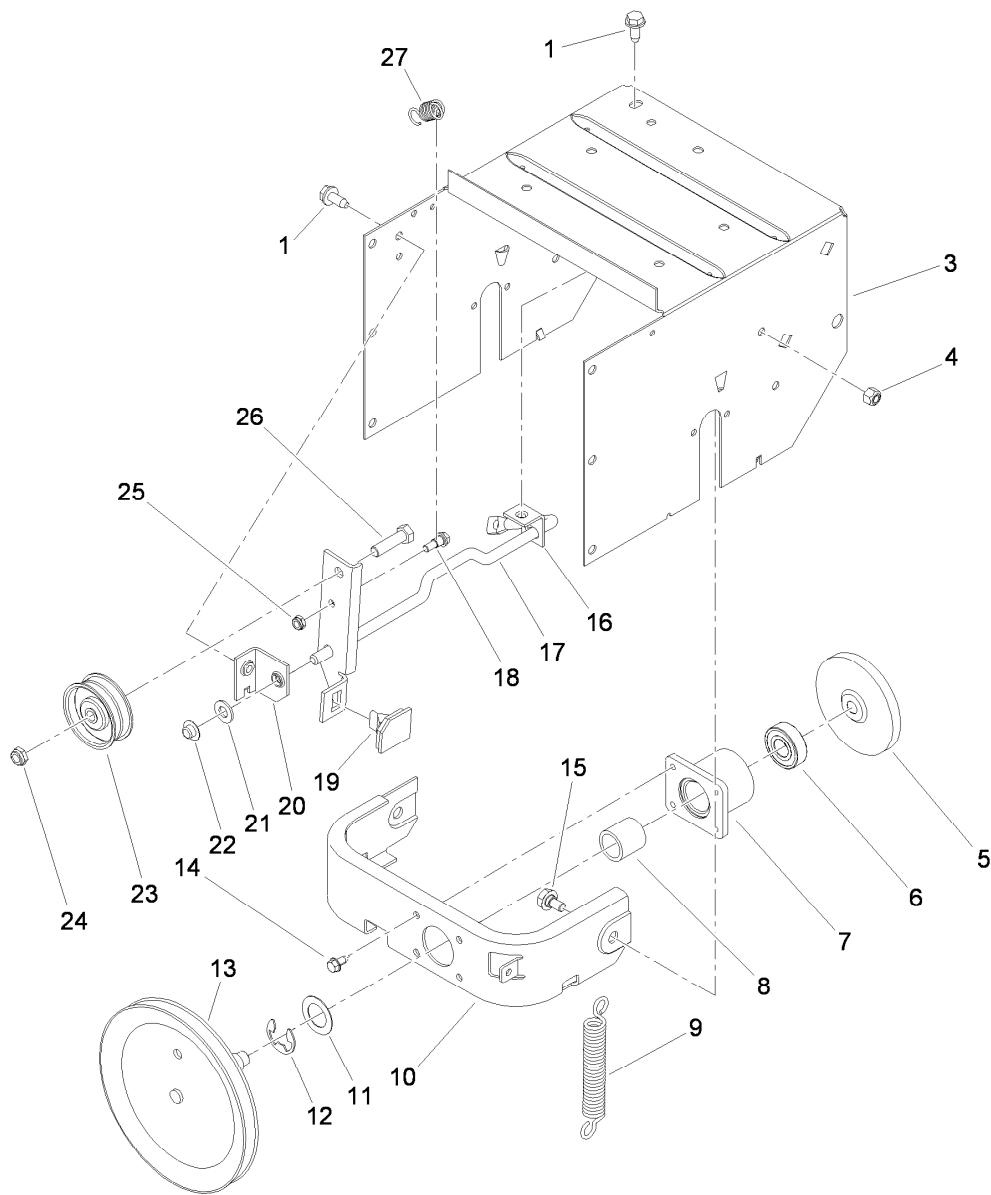
Ref.	Part Number	Qty.	Description	Ref.	Part Number	Qty.	Description
1	56-2680	1	Chute-Deflector	20	3230-1	9	Bolt-CARR
2	3230-22	2	Screw-CARR	21	32151-36	2	Ring-Retaining
3	112-6605	1	Chute ASM	22	5-1550	4	Washer
3:3	112-6620	1	Decal-Danger, Discharge	23	37-6550	2	Bearing-Auger
5	3256-23	3	Washer-Flat	24	3296-42	2	Nut-Lock, NI
6	3296-29	13	Nut-Lock, NI	25	66-8010	2	Spacer-Hub, Impeller
7	3230-18	6	Screw-CARR	26	321-11	2	Screw-HH
8	37-8941-03	1	Ring-Chute	27	98-2271-03	1	Auger-LH
9	37-6490	3	Ring-Chute, Retainer	28	98-2270-03	1	Auger-RH
10	37-6890	1	Pulley	29	37-6962	1	22 Inch Gear Case ASM
11	3242-4	2	Screw-Set, SQH	30	100-3554-01	1	Blade-Scraper
12	3257-23	1	Key-Woodruff	31	40-8160-01	2	Skid
13	3-0737	1	Washer	33	27-0220	6	Screw-Special
14	26-6110	1	Flange-Cup, Bearing	35	20-4320	2	Washer-Rubber
15	63-3450	1	Bearing-Ball	36	55-8950	2	Plate-Friction
16	26-6120	1	Flange-Cup, Bearing	37	3290-456	2	Washer-Belleville
17	112-6641	1	Auger Housing ASM	38	3256-68	2	Washer-Flat
17:2	107-3040	1	Decal-Danger, Auger	40	110-3408	1	Stick-Cleanout
18	32144-70	4	Screw-HWHTF	41	110-6275	2	Holder-Stick
19	32128-20	4	Nut-HF	42	46-8091	2	Screw-HWH



## 22 Inch Gear Case Assembly No. 37-6962

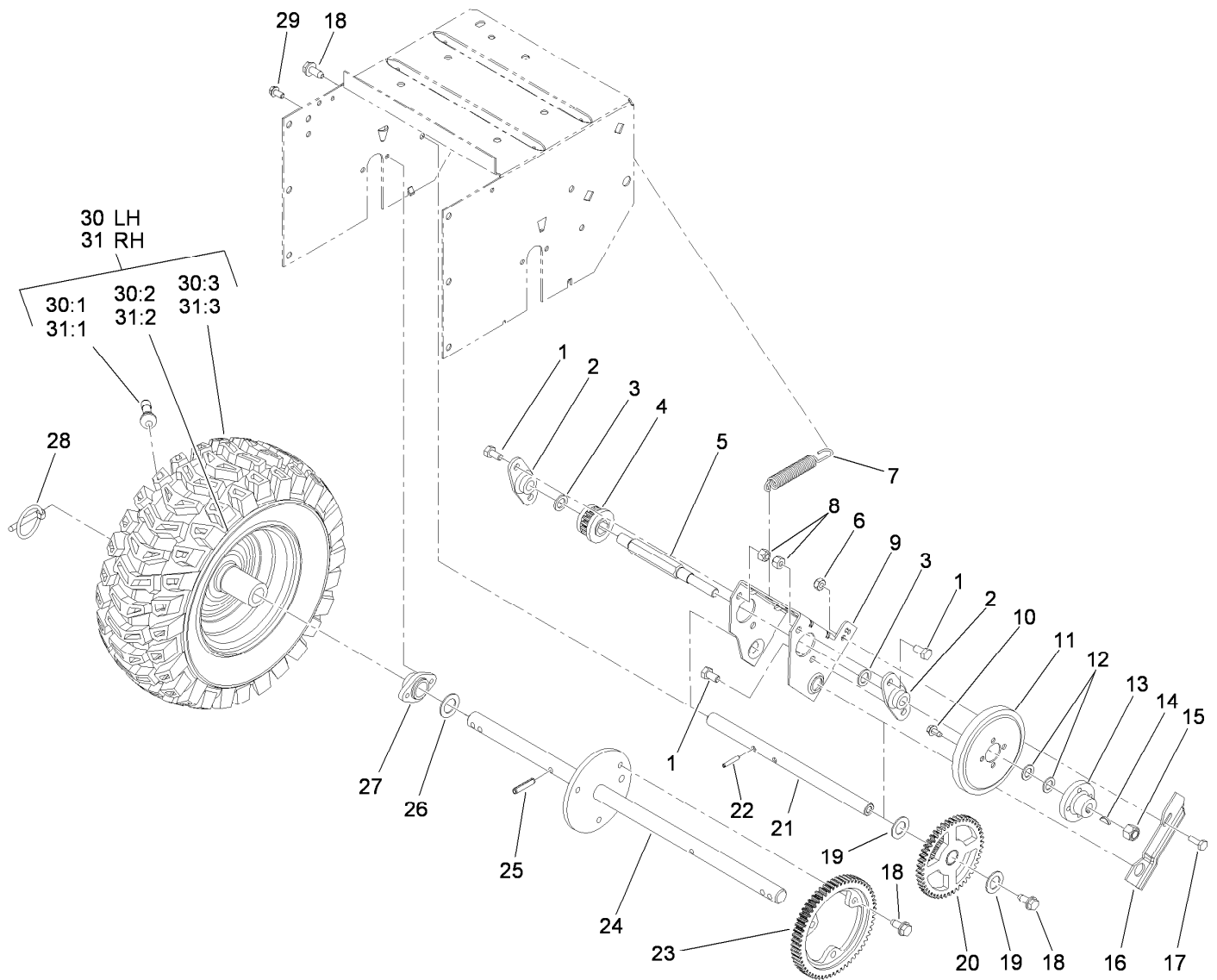
<i>Ref.</i>	<i>Part Number</i>	<i>Qty.</i>	<i>Description</i>
1	32144-41	8	Screw-Taptite
2	14-2449	1	RH Bushing Case ASM
2:1	7-0045	1	Seal-Oil
2:2	112-6635	1	Bushing-Sleeve
3	252-71	2	Washer-Thrust
4	51-0460	1	Gasket-Case, Gear
5	256-32	1	Bushing
6	32120-72	1	Ring-Snap
7	3-8664	1	Washer-Thrust
8	115-5669	1	Worm
9	252-80	1	Washer-Thrust
10	252-76	1	Bearing-Thrust

<i>Ref.</i>	<i>Part Number</i>	<i>Qty.</i>	<i>Description</i>
11	257-3	1	Washer-Thrust
12	37-6560	1	Bushing-Input
13	237-87	1	Ring-Quad
14	3257-23	1	Key-Woodruff
15	37-6990-03	1	Impeller Shaft ASM
16	115-5674	1	Worm-Gear
17	14-2459	1	LH Bushing Case ASM
17:1	7-0045	1	Seal-Oil
17:2	112-6635	1	Bushing-Sleeve
18	281-1	1	Plug-Pipe, SQH
19	3257-33	1	Key-Woodruff
20	37-6802	1	Shaft-Auger



## Frame and Pulley Assembly

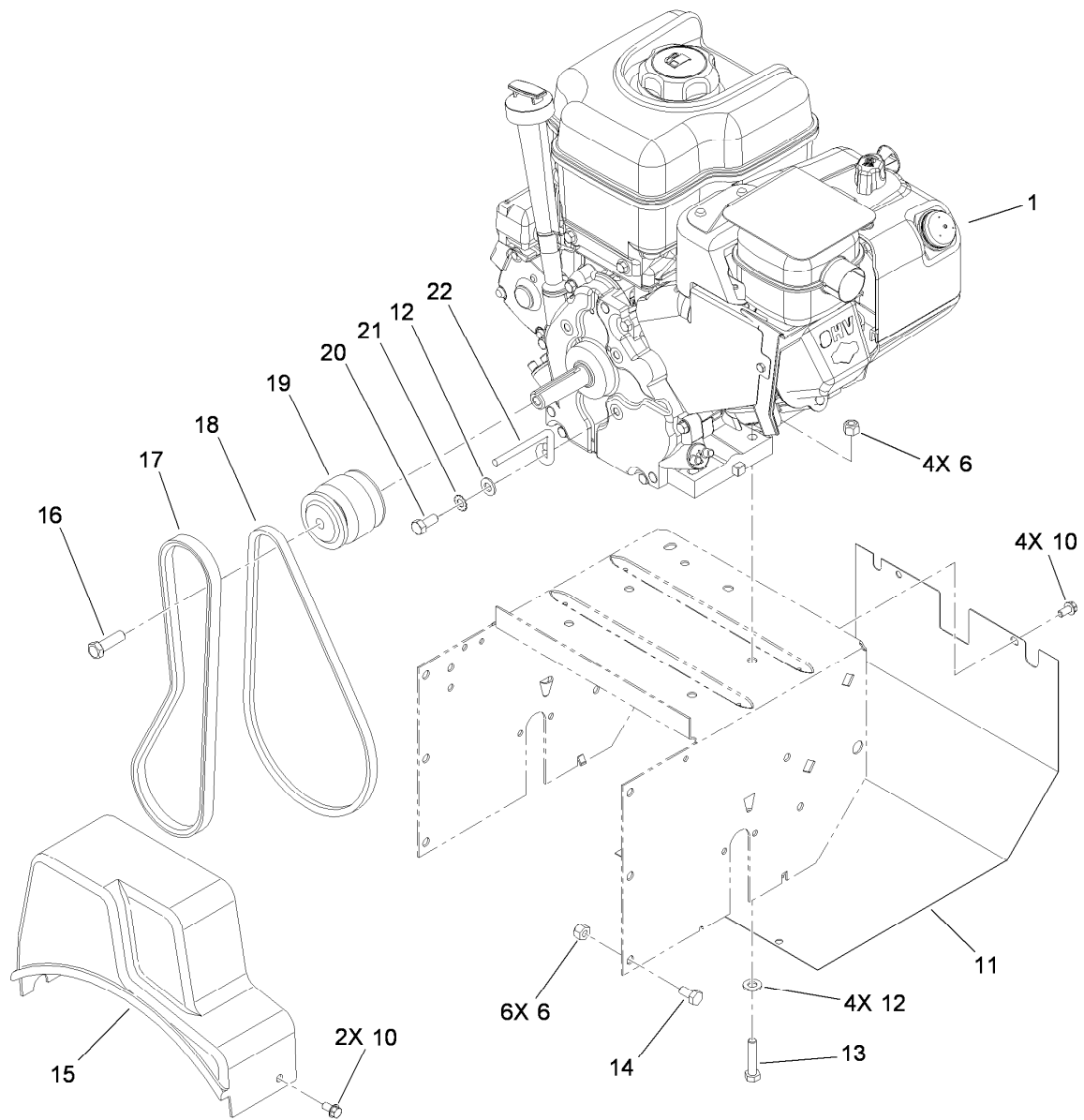
<i>Ref.</i>	<i>Part Number</i>	<i>Qty.</i>	<i>Description</i>	<i>Ref.</i>	<i>Part Number</i>	<i>Qty.</i>	<i>Description</i>
1	32144-70	2	Screw-HWHTF	15	37-8770	2	Bolt-Shoulder
3	37-8900-01	1	Frame-Traction	16	37-9070	1	Bracket-Mount, Rear
4	3296-29	2	Nut-Lock, NI	17	40-6511-03	1	Auger Clutch Rod ASM
5	38-0800	1	Plate-Friction	18	42-3560	1	Bolt-Shoulder
6	100-1048	1	Bearing-Ball	19	66-8060	1	Pad-Brake
7	88-0560	1	Hub-Frame, Traction	20	66-6790	1	Bracket-Mount, Front
8	256-322	1	Bushing	21	3256-24	1	Washer-Flat
9	37-8870	1	Spring-Plate, Friction	22	3290-320	1	Retainer-Push On
10	88-0550-03	1	Frame-Front	23	3-4244	1	Pulley-Idler
11	252-80	1	Washer-Thrust	24	3296-59	1	Nut-Lock, NI
12	32151-103	1	Ring-Retaining, EXT	25	3296-56	1	Nut-Lock, NI
13	88-0850	1	Pulley And Drive ASM	26	323-29	1	Screw-HH
14	32144-4	4	Screw-HWH	27	53-7570	1	Spring



## Drive Assembly

Ref.	Part Number	Qty.	Description	Ref.	Part Number	Qty.	Description
1	322-2	4	Screw-HH	20	37-9160	1	Internal Gear And Bushing ASM
2	20-1620	2	Bearing-Wheel, Friction	21	37-6760	1	Shaft-Pivot
3	5-7570	2	Washer-Flat	22	32121-45	2	Pin-Spring
4	37-6500	1	Pinion	23	37-6520	1	Gear-Axle
5	37-6780	1	Shaft-Wheel, Friction	24	74-1350	1	Shaft-Axle
6	3296-16	1	Nut-Lock, NI	25	32121-9	2	Pin-Roll, Slotted
7	37-8880	1	Spring-Traction	26	3-8664	2	Washer-Thrust
8	3296-29	4	Nut-Lock, NI	27	37-6850	2	Bearing-Axle
9	39-1230	1	Bracket-Sliding	28	3290-243	2	Pin-Lynch
10	32144-4	4	Screw-HWH	29	32144-4	4	Screw-HWH
11	37-6570	1	Wheel-Friction	30		1	LH Wheel And Tire ASM ●
12	36-4790	2	Washer-Thrust	30:1	232-27	1	Stem-Valve
13	39-1520	1	Hub-Wheel, Friction	30:2	241-131	1	Rim-Wheel
14	3257-24	1	Key-Woodruff	30:3	112-6609	1	Tire
15	3296-48	1	Nut-Lock, NI	31		1	RH Wheel And Tire ASM ●
16	39-1250	1	Cam-Receiver	31:1	232-27	1	Stem-Valve
17	321-4	1	Screw-HH	31:2	241-131	1	Rim-Wheel
18	32144-70	5	Screw-HWHTF	31:3	112-6609	1	Tire
19	10-9280	2	Washer-Special				

● Not serviced separately

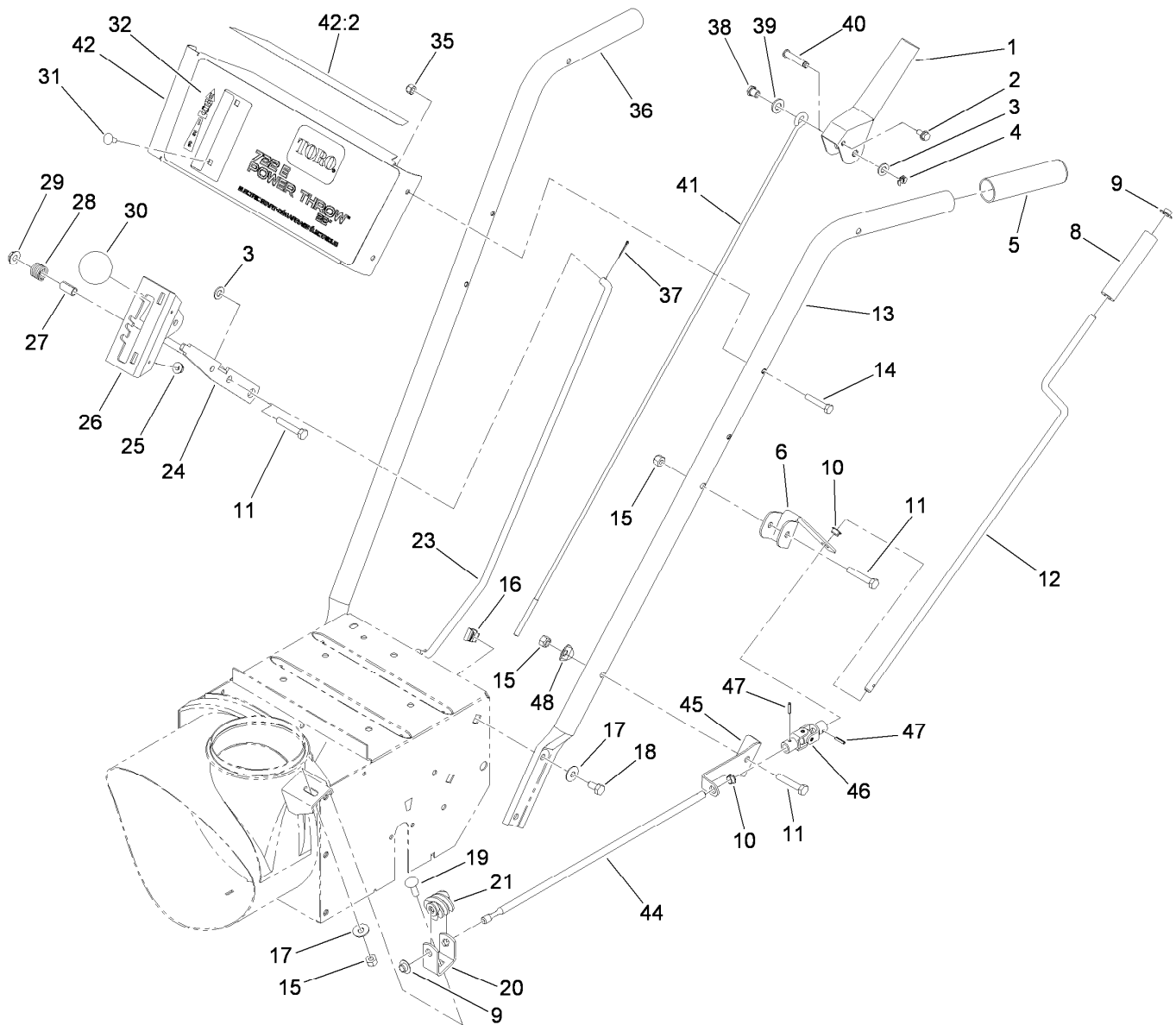


## Engine Assembly

Ref.	Part Number	Qty.	Description
1		1	Engine-Briggs, 12D1150153E8 ●■
6	3296-29	10	Nut-Lock, NI
10	32144-4	6	Screw-HWH
11	37-6830-01	1	Cover-Traction, Lower
12	3256-23	5	Washer-Flat
13	322-7	4	Screw-HH
14	322-2	6	Screw-HH
15	37-6900	1	Cover-Belt
16	43-7290	1	Screw-Special
17	26-9672	1	V-Belt
18	37-9090	1	V Belt-3L, Traction
19	119-1585	1	Pulley-Engine
20	3210-3	1	Screw-HH
21	3255-8	1	Washer-Lock
22	37-8990	1	Retainer-Belt

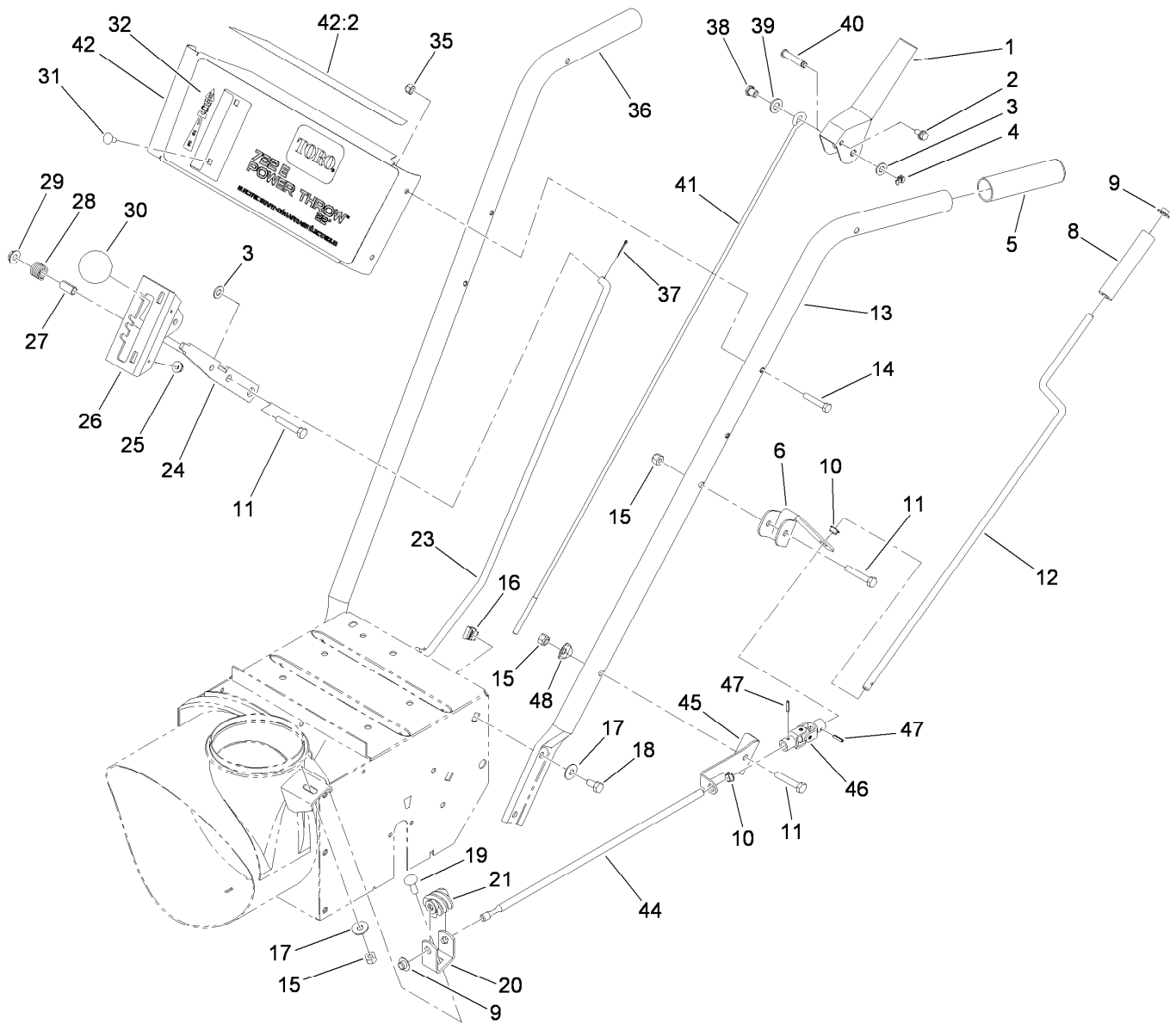
● Not serviced separately

■ Obtain parts from [www.briggsandstratton.com](http://www.briggsandstratton.com)



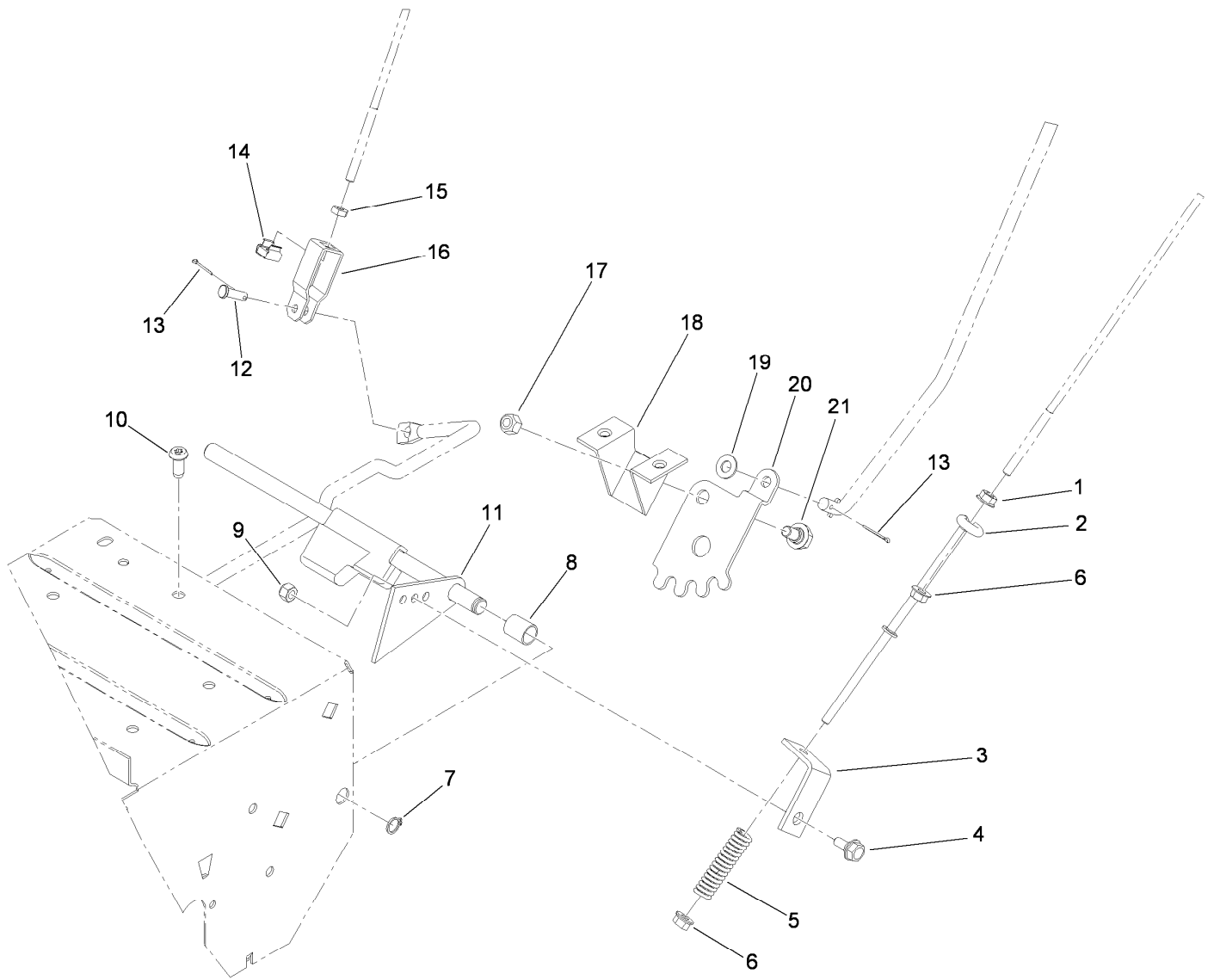
## Handle and Control Assembly

Ref.	Part Number	Qty.	Description	Ref.	Part Number	Qty.	Description
1	94-8887-03	2	Handle-Control	24	37-8820-03	1	Selector-Speed
2	3234-13	2	Screw-HHF	25	32128-33	2	Nut-HF
3	3256-23	3	Washer-Flat	26	39-1280-03	1	Mount-Selector, Speed
4	32151-73	2	Ring-Clip	27	40-8130	1	Spacer
5	112-6615	2	Grip-Handle	28	37-9150	1	Spring
6	110-6297	1	Bracket-Rod, Upper Chute	29	32128-13	1	Nut-HHF
8	40-8230	1	Grip-Control, Chute	30	233-21	1	Knob
9	3290-320	2	Retainer-Push On	31	3229-11	2	Screw-CARR
10	256-249	2	Bushing	32	119-1586	1	Decal-Panel, Control
11	322-9	3	Screw-HH	35	3296-42	4	Nut-Lock, NI
12	110-6293	1	Rod-Chute, Upper	36	52-5561-03	1	Handle-Right
13	110-6296-03	1	Handle-Left	37	3272-4	1	Pin-Cotter
14	321-9	4	Screw-HH	38	47-4990	2	Post-Mounting, Linkage
15	3296-29	3	Nut-Lock, NI	39	3256-24	2	Washer-Flat
16	3290-196	4	Nut	40	52-5600	2	Pin-Lever, Control
17	3290-456	5	Washer-Belleville	41	52-5590	2	Link-Upper
18	322-2	4	Screw-HH	42	112-6643	1	Escutcheon Panel ASM
19	3230-22	1	Screw-CARR	42:2	112-6624	1	Decal-Escutcheon, Back
20	110-6298	1	Bracket-Worm	44	110-6292	1	Rod-Chute, Lower
21	40-8250	1	Gear-Worm, Chute	45	119-8758-03	1	Bracket-Rod, Lower
23	39-7570	1	Rod-Selector, Speed	46	94-2686	1	Joint-Universal



## Handle and Control Assembly (continued)

Ref.	Part Number	Qty.	Description
47	32121-73	2	Pin-Roll
48	107-3844	1	Washer



## Control Assembly

<i>Ref.</i>	<i>Part Number</i>	<i>Qty.</i>	<i>Description</i>	<i>Ref.</i>	<i>Part Number</i>	<i>Qty.</i>	<i>Description</i>
1	32128-33	1	Nut-HF	12	1-808265	1	Pin-Clevis
2	39-3060	1	Rod-Traction, Lower	13	3272-4	2	Pin-Cotter
3	38-4490	1	Bracket-Traction	14	32115-5	1	Nut-Retained
4	40-8350	1	Screw	15	3218-1	1	Nut-Jam
5	38-4520	1	Spring	16	39-3080	1	Clevis
6	32128-32	2	Nut-HHF	17	3296-29	1	Nut-Lock, NI
7	32151-61	1	Ring-Retaining	18	37-8790	1	Mount-Lever
8	40-9680	1	Spacer	19	3256-23	1	Washer-Flat
9	3296-42	1	Nut-Lock, NI	20	37-8800	1	Gear-Quadrant
10	613381	2	Screw-Button Head	21	37-8770	1	Bolt-Shoulder
11	43-7310-03	1	Traction Arm ASM				

# Attachments and Accessories

## For 38818 722 Power Throw Snowthrower

Product Name	Model/Part
22 Inch Drift Breaker .....	37-7022
Tire Chain Kit .....	56-2700
Snow Cab .....	88-0600

**Notes:**

**Notes:**

**Notes:**



**Count on it.**