



Count on it.

Parts Catalog

**Z Master® G3 Riding Mower
with 52in TURBO FORCE® Side Discharge
Mower**

Model No. 74953—Serial No. 311000581 and Up

Ordering Replacement Parts

To order replacement parts, please supply the part number, the quantity, and the description of each part desired.

Understanding Reference Numbers

Each identified part in an illustration has a reference number. The reference number for a part also appears in the parts list, along with other information about the part.

This catalog uses two special reference number formats, one to indicate parts in a service assembly and another to indicate the quantity of a given part in an illustration.

Service Assembly Reference Numbers

Parts in service assemblies have reference numbers in the form a:b. The a represents the reference number of the entire service assembly and the b represents a sequential number unique to each part within the service assembly.

For example, a wheel assembly might be identified by reference number 6, the tire by 6:1, the valve by 6:2, and the wheel by 6:3. When you order the assembly identified by reference number 6, you receive all parts identified by reference numbers 6:1, 6:2, and 6:3. However, you may also order any part individually. Reference numbers of this type appear in illustration and in parts lists.

Reference Numbers Indicating Quantity

In an illustration, if a reference number indicates more than one part, the reference number has the form nX y. The n represents the quantity of the part, the X is the multiplication symbol, and the y represents the reference number.

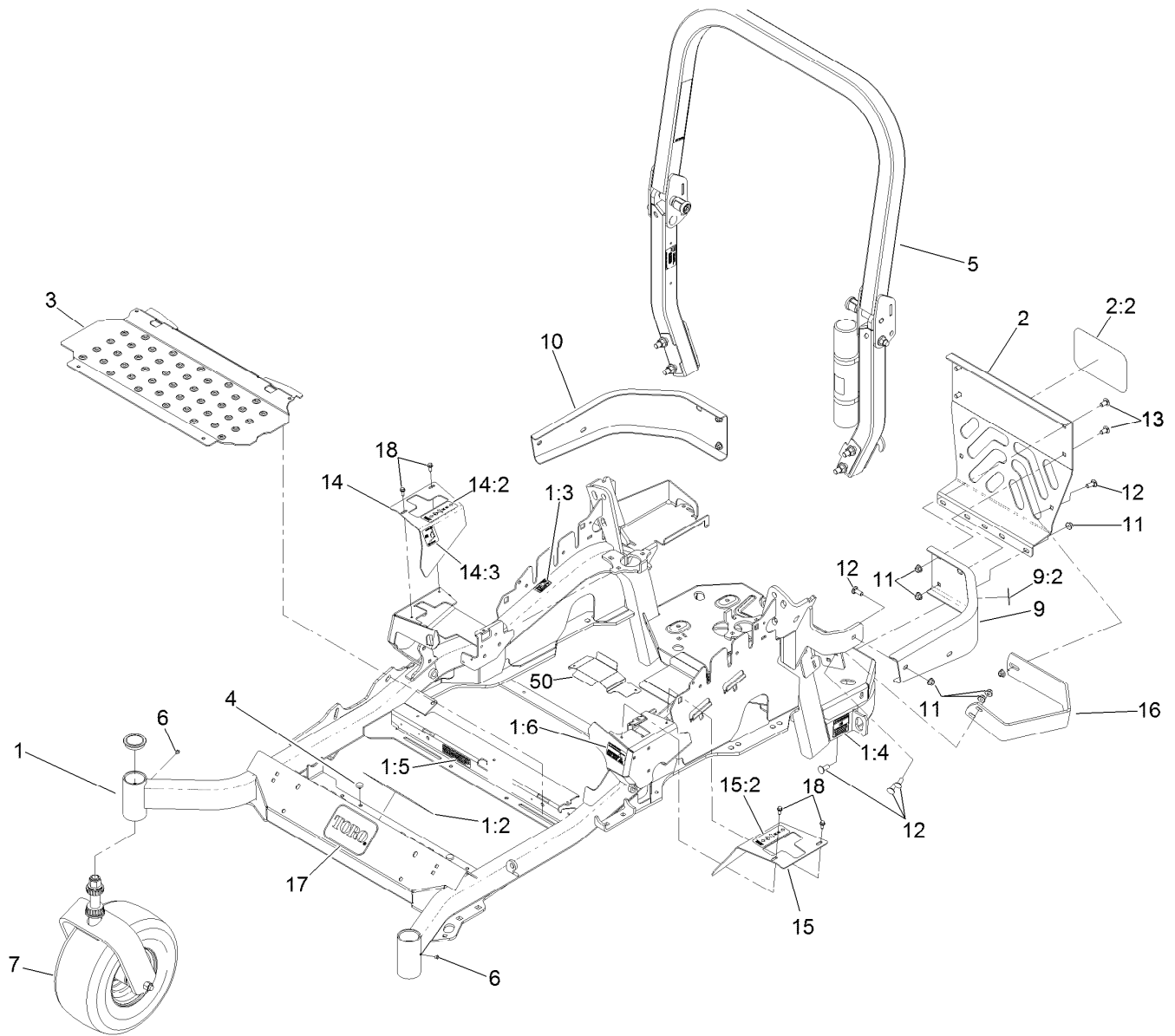
For example, in an illustration, the reference number 2X 37 means that two of the parts identified by reference number 37 are indicated.

List of Abbreviations

AR: as required	HOC: height-of-cut	RRB: rear roller brush
ASM: assembly	HSBH: hex socket button head	SFH: slotted fillister head
BBC: blade brake control	HSFH: hex socket flat head	SHH: slotted hex head
BHTF: button head thread forming	HSH: hex socket head	SHWH: slotted hex washer head
CARR: carriage	HWH: hex washer head	SPH: slotted pan head
CCW: counter clockwise	HWTF: hex washer head thread forming	SQH: square head
CW: clockwise	HYD: hydraulic	SRH: slotted round head
DEG: degrees	LH: left hand	STD: standard
DPA: Dual Point Adjustment	LP: Liquid Propane	TAP: self tapping
ECM: electronic control module	NI: nylon insert	TTH: torx truss head
EXT: external	NPTF: national pipe thread fine	
FH: flat head	PFH: phillips flat head	
GA: gauge	PPH: phillips pan head	
HD: heavy-duty	PPHTF: phillips pan head thread forming	
HF: hex flange	PRH: phillips round head	
HH: hex head	PTH: phillips truss head	
HHF: hex head flange	PTO: power-take-off	
HHFTF: hex head flange thread forming	RH: right hand	
HJ: hex jam	ROPS: roll-over protection system	
HLH: hex lag head		

Contents

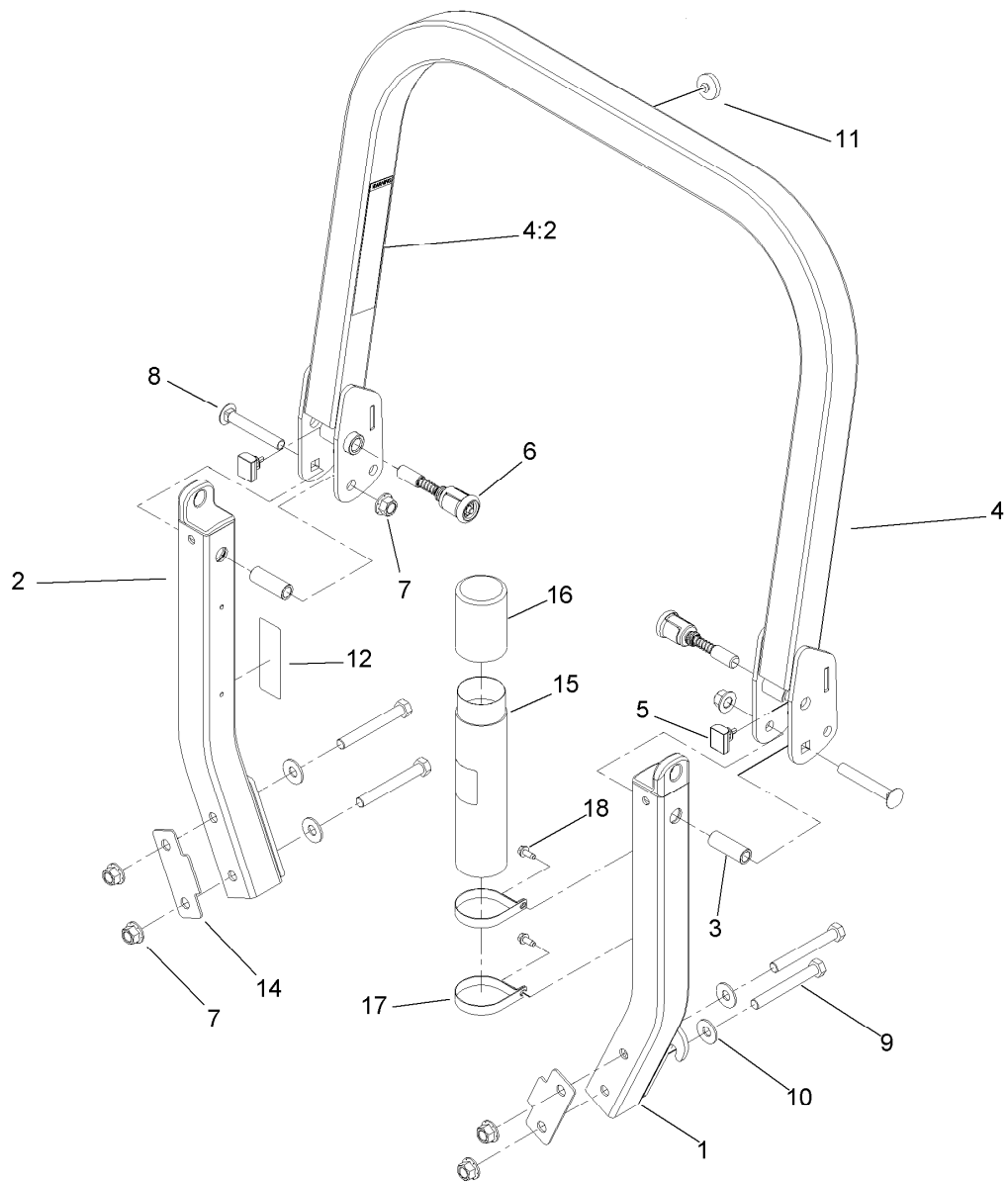
Frame and Caster Assembly	4
Roll-Over Protection System Assembly No. 116-0231	5
Caster Wheel and Fork Assembly	6
Hydraulic Pump, Idler and Belt Assembly	7
Pump Idler Assembly No. 116-1255	8
LH Hydro Assembly No. 116-2976	9
RH Hydro Assembly No. 116-2977	10
Rear Wheel and Park Brake Assembly	11
Brake Handle Assembly No. 116-1878	12
Fuel Tank Mounting Assembly	13
Fuel Tank Assembly No. 116-3978	14
Seat Mounting Assembly	15
Seat Assembly No. 116-0038	16
Motion Control Assembly	17
Fender, Console and Control Assembly	18
Electrical System Assembly	19
Deck Lift Assembly	20
Height-of-Cut Assembly No. 116-1970	22
Engine, Clutch and Muffler Assembly	23
Deck Assembly	24
Deck Decal Assembly No. 114-5810	25
Idler Assembly	26
Spindle Assembly No. 119-8560	27
Rubber Deflector Assembly No. 108-7770	28
Attachments and Accessories	29



Frame and Caster Assembly

Ref.	Part Number	Qty.	Description	Ref.	Part Number	Qty.	Description
1	116-2124	1	Main Frame ASM	10	116-0057-03	1	Bumper-RH
1:2	116-3303	1	Decal-Slope	11	104-8301	11	Nut-Flange, NI
1:3	103-2076	2	Decal-Caution	12	3231-22	7	Screw-CARR
1:4	116-0205	2	Decal-Belt Drive	13	3231-21	4	Screw-CARR
1:5	116-4858	1	Decal-Spark Arrester	14	116-0579	1	RH Motion Control Cover ASM
1:6	116-1654	1	Decal Fuel Fill	14:2	109-7232	1	Decal-Motion Control
2	115-7410	1	Rear Guard ASM	14:3	109-7929	1	Decal-Park Brake
2:2	67-7320	1	Decal	15	116-0580	1	LH Motion Control Cover ASM
3	116-0024-01	1	Floorpan	15:2	109-7232	1	Decal-Motion Control
4	1-513658	2	Bumper	16	116-0043-03	1	Guard-Muffler
5	116-0231	1	ROPS ASM	17	68-3640	1	Decal
6	1-811010	2	Plug	18	32144-10	4	Screw-HWH
7		2	Caster Wheel ASM ●	50	116-2999-01	1	Guard-Belt
9	116-0180	1	LH Bumper ASM				
9:2	103-2076	1	Decal-Caution				

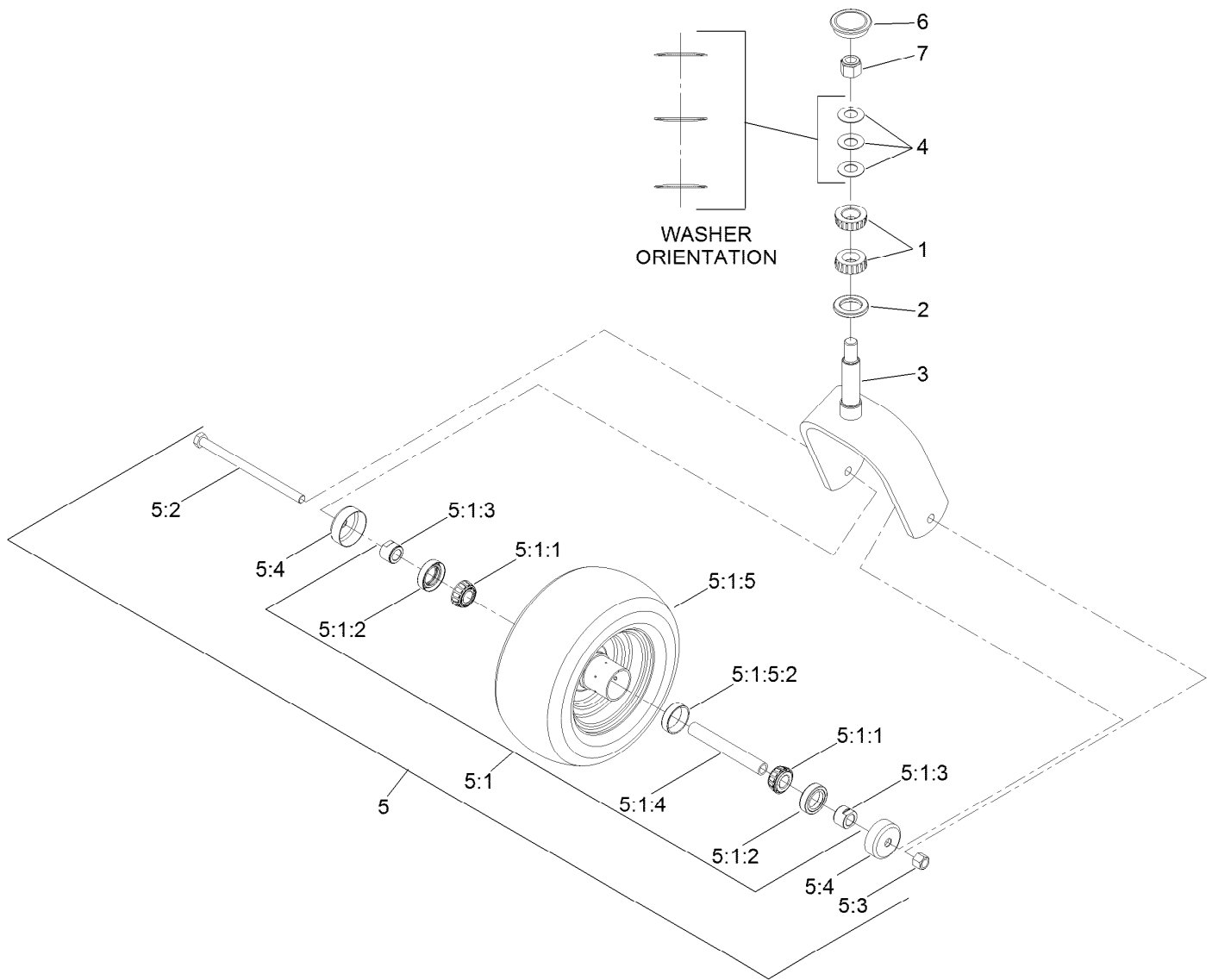
● Not serviced separately



Roll-Over Protection System Assembly No. 116-0231

Ref.	Part Number	Qty.	Description	Ref.	Part Number	Qty.	Description
1		1	LH ROPS Leg ASM ●	9	325-17	4	Screw-HH
2		1	RH ROPS Leg ASM ●	10	109-9505	4	Washer-Spring
3	109-6653	2	Spacer	11	109-9233	1	Bumper-Push-In, Rubber
4		1	Upper ROPS ASM ●	12	116-0090	1	Decal-Caution
4:2	107-2102	1	Decal-Warning, Folding ROPS	14	116-0960	2	Spacer
5	109-5337	2	Bumper-ROPS	15	104-7050	1	Tube-Manual
6	116-0104	2	Spring Pin ASM	16	104-7048	1	Cap-Housing
7	99-5107	6	Nut-Lock	17	107-1865	2	R-Clamp
8	3233-10	2	Screw-CARR	18	32144-10	2	Screw-HWH

● Not serviced separately

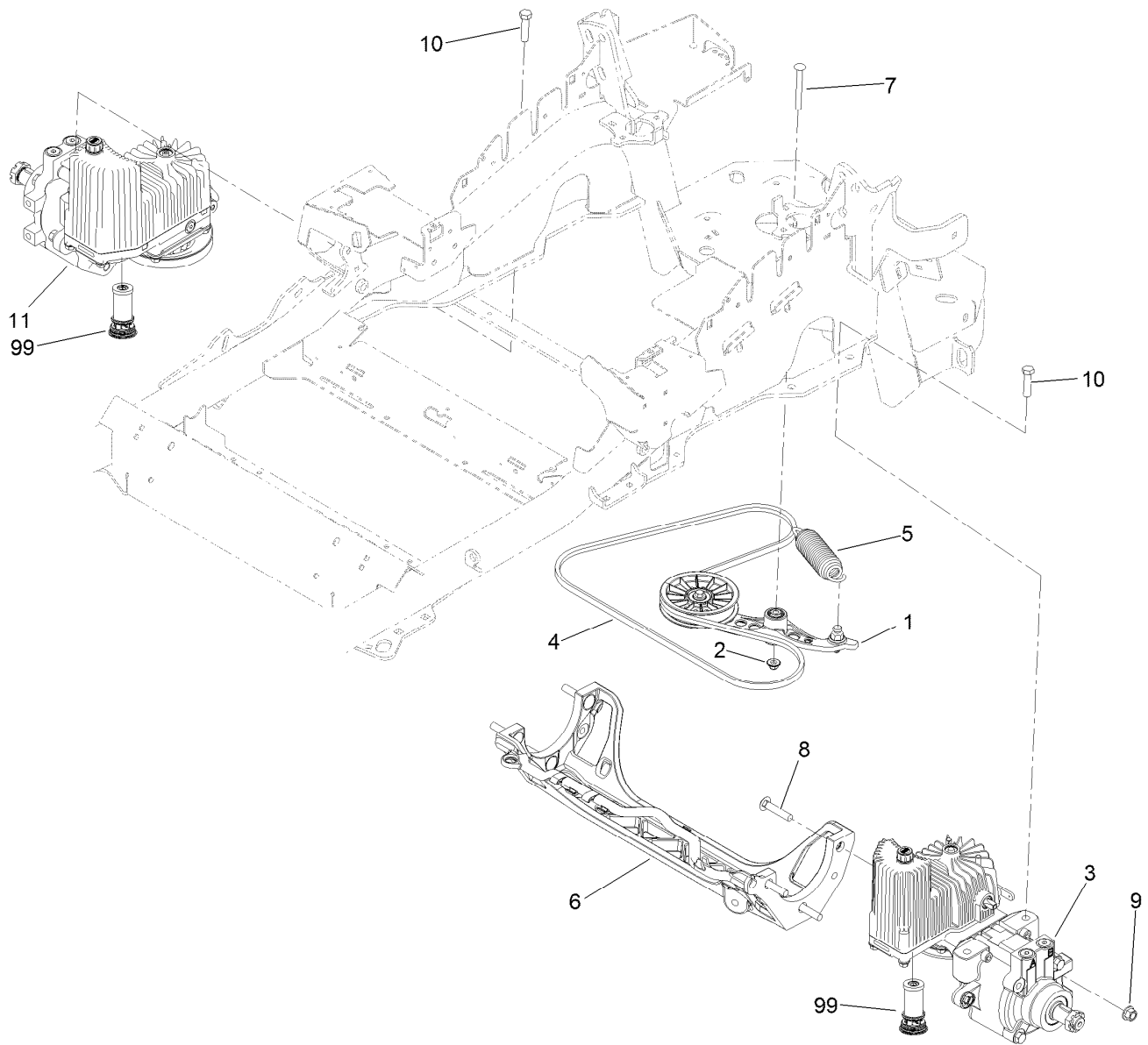


Caster Wheel and Fork Assembly

Ref.	Part Number	Qty.	Description	Ref.	Part Number	Qty.	Description
1	1-543509	2	Bearing-Roller, Tapered	5:1:4	103-3155	1	Axle-Caster
2	1-543511	1	Seal-Grease	5:1:5		1	Wheel And Tire ASM ●
3	116-1963-01	1	Caster	5:1:5:2	1-633584	2	Bearing-Cup
4	1-633508	3	Washer-Bellville	5:2	325-42	1	Screw-HH
5	116-1949	1	Wheel And Tire ASM	5:3	3296-23	1	Nut-Lock, NI
5:1		1	Wheel ASM ●	5:4	103-2768	2	Guard-Seal
5:1:1	1-633585	2	Bearing-Cone, Taper	6	103-4882	1	Cap-Grease
5:1:2	103-0063	2	Seal-Caster	7	3296-51	1	Nut-Lock, NI
5:1:3	103-3051	2	Spacer-Nut ■				

● Not serviced separately

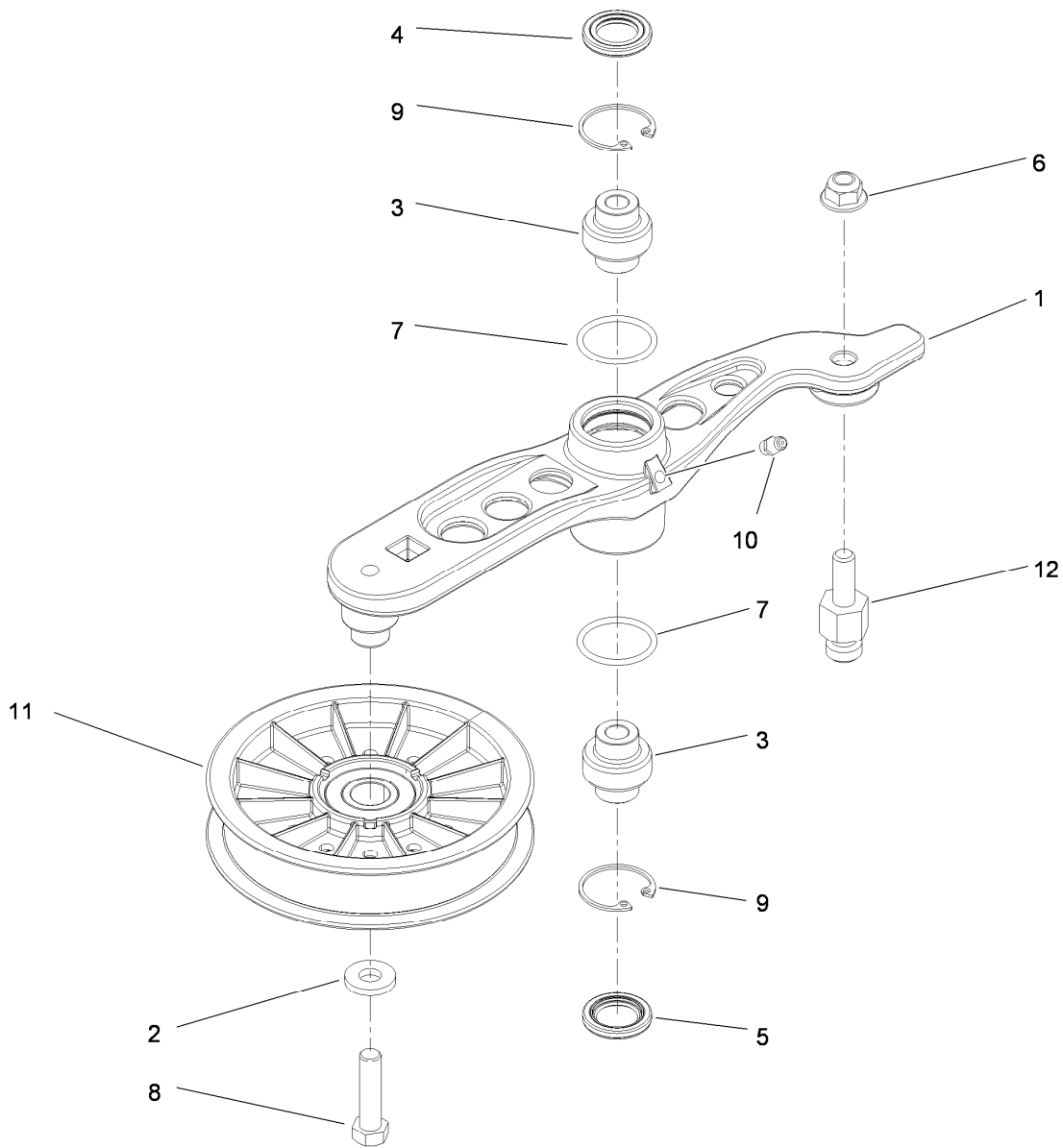
■ Use Pro-Lock, Nut Type (P/N 1-840022, .5ml tube) on threads.



Hydraulic Pump, Idler and Belt Assembly

Ref.	Part Number	Qty.	Description
1	116-1255	1	Pump Idler ASM
2	109-6658	1	Nut-Flange, NI
3	116-2976	1	Hydro-LH 12Cc No Fan
4	116-1953	1	Belt-V
5	116-0133	1	Extension-Spring
6	109-9375	1	Cradle-Hydro
7	116-1502	1	Bolt-Shoulder, Carriage
8	3233-34	6	Screw-CARR
9	99-5107	6	Nut-Lock
10	325-8	4	Screw-HH
11	116-2977	1	Hydro-RH 12Cc No Fan
99	114-4713	1	Hypr-Oil 500 (Quart) ●
99	114-4714	1	Hypr-Oil 500 (Gallon) ●
99	114-4715	1	Hypr-Oil 500-5 (5 Gallon) ●
99	117-0390	1	Filter-Hydro

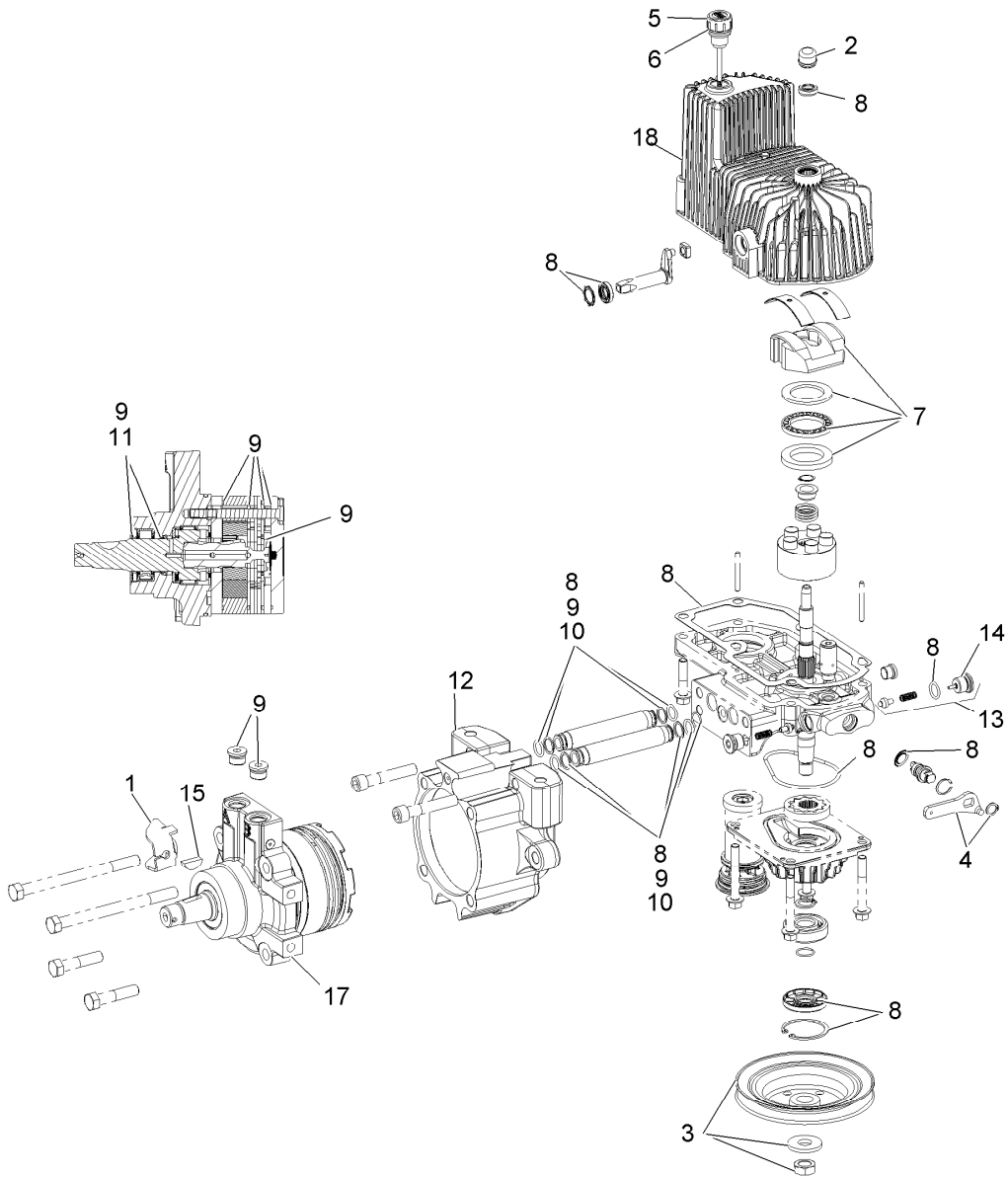
● Not illustrated



Pump Idler Assembly No. 116-1255

Ref.	Part Number	Qty.	Description
1		1	Arm-Pump, Idler ●
2	43-0940	1	Spacer
3	103-3504	2	Bearing-Spherical
4	103-3505	1	Seal-Double Lip
5	103-3506	1	Seal-Single Lip
6	109-6658	1	Nut-Nyloc 3/8-16 Flg
7	106-7159	2	O-Ring
8	323-8	1	Screw-HH 3/8-16 X 1 1/2
9	32120-10	2	Ring-Retaining
10	302-19	1	Zerk-1/4-28 Str
11	109-8076	1	Pulley-Idler
12	116-3467	1	Pin-Spring, Anchor

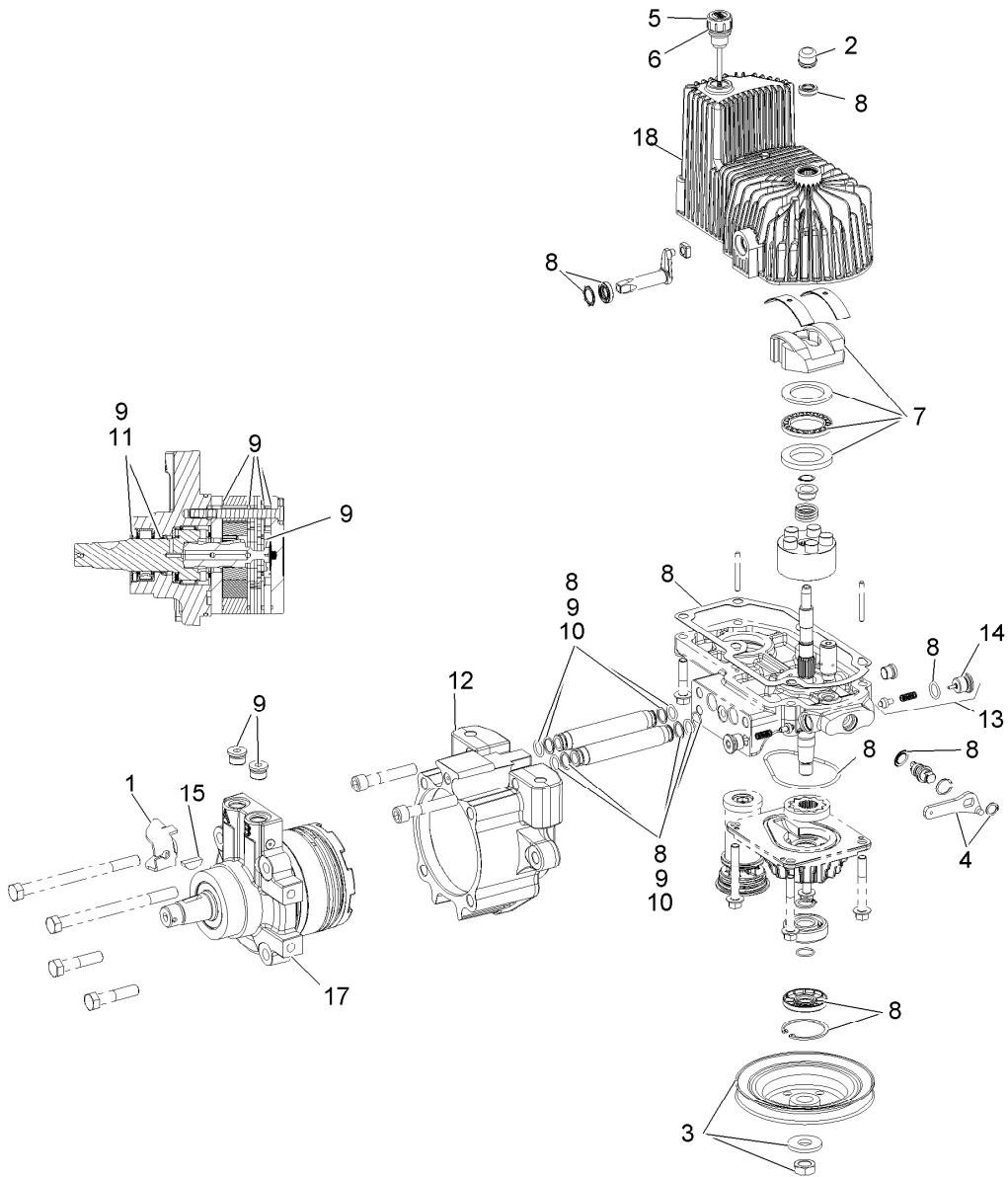
● Not serviced separately



LH Hydro Assembly No. 116-2976

Ref.	Part Number	Qty.	Description	Ref.	Part Number	Qty.	Description
1	116-1758	1	Bracket-Anchor, Cable	10	116-1370	1	Tube Seal Kit
2	116-3052	1	Cover-Shaft, Hydro	11	116-1371	1	Output Shaft Seal Kit
3	116-0234	1	Pulley Kit	12	116-2992	1	Nosecup-Dry
4	116-0235	1	Handle-Bypass Valve, Hydro	13	116-1630	1	Check Valve ASM
5	116-0236	1	Dipstick-Hydro W/Gasket	14	116-1631	1	Plug-Check, W/O-Ring
6	116-0237	1	Gasket-Dipstick, Hydro	15	3257-42	1	Key-Woodruff
7	116-1367	1	Swash Block Kit	17	116-3050	1	Motor-HYD, LH
8	116-1368	1	Pump Seal Kit	18	116-3287	1	Housing-Hydro, LH
9	116-1369	1	Motor Seal Kit	99	116-1373	1	Flow Test Kit ●

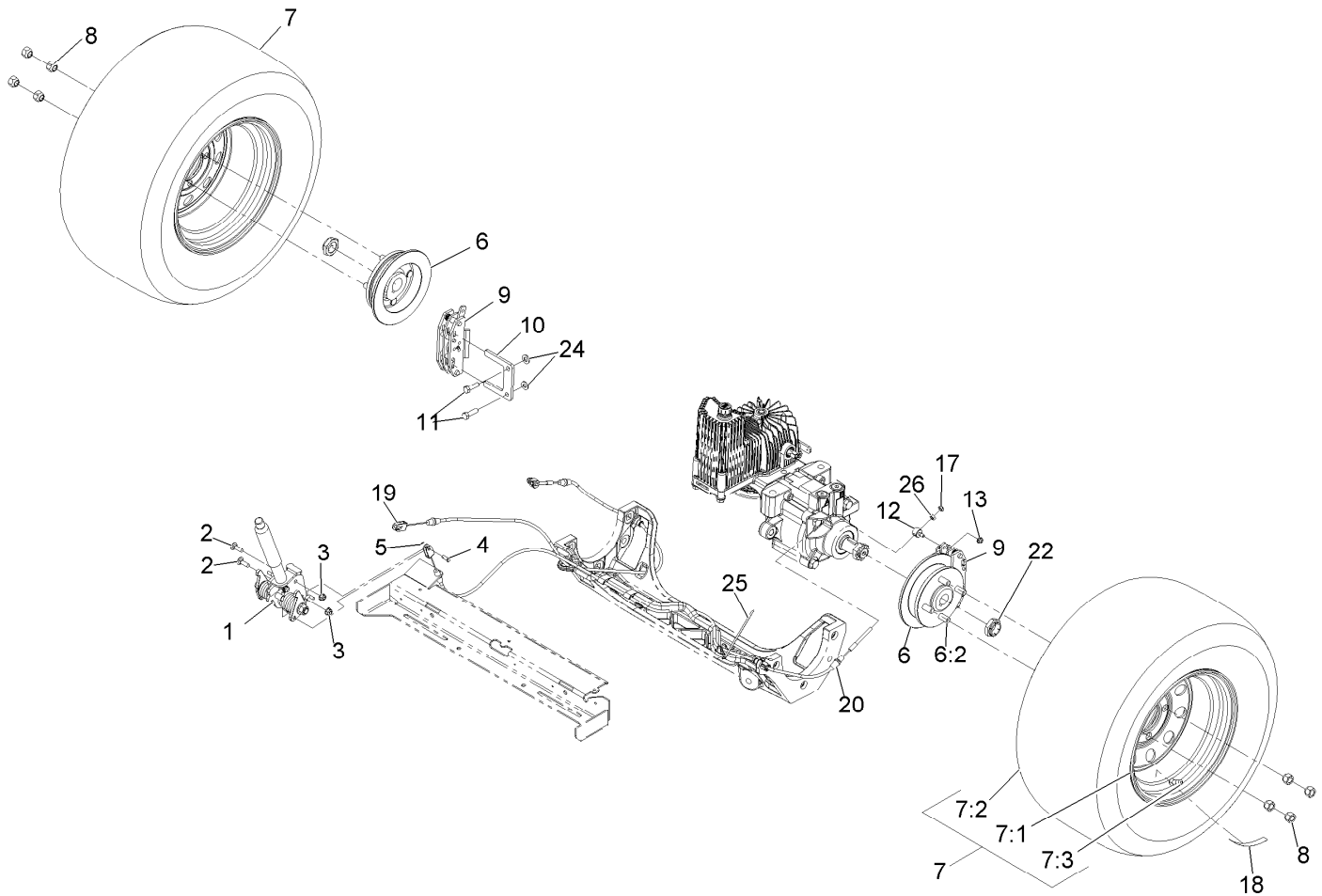
● Not illustrated



RH Hydro Assembly No. 116-2977

Ref.	Part Number	Qty.	Description	Ref.	Part Number	Qty.	Description
1	116-1758	1	Bracket-Anchor, Cable	10	116-1370	1	Tube Seal Kit
2	116-3052	1	Cover-Shaft, Hydro	11	116-1371	1	Output Shaft Seal Kit
3	116-0234	1	Pulley Kit	12	116-2992	1	Nosecup-Dry
4	116-0235	1	Handle-Bypass Valve, Hydro	13	116-1630	1	Check Valve ASM
5	116-0236	1	Dipstick-Hydro W/Gasket	14	116-1631	1	Plug-Check, W/O-Ring
6	116-0237	1	Gasket-Dipstick, Hydro	15	3257-42	1	Key-Woodruff
7	116-1367	1	Swash Block Kit	17	116-3051	1	Motor- HYD, RH
8	116-1368	1	Pump Seal Kit	18	116-3288	1	Housing-Hydro, RH
9	116-1369	1	Motor Seal Kit	99	116-1373	1	Flow Test Kit ●

● Not illustrated



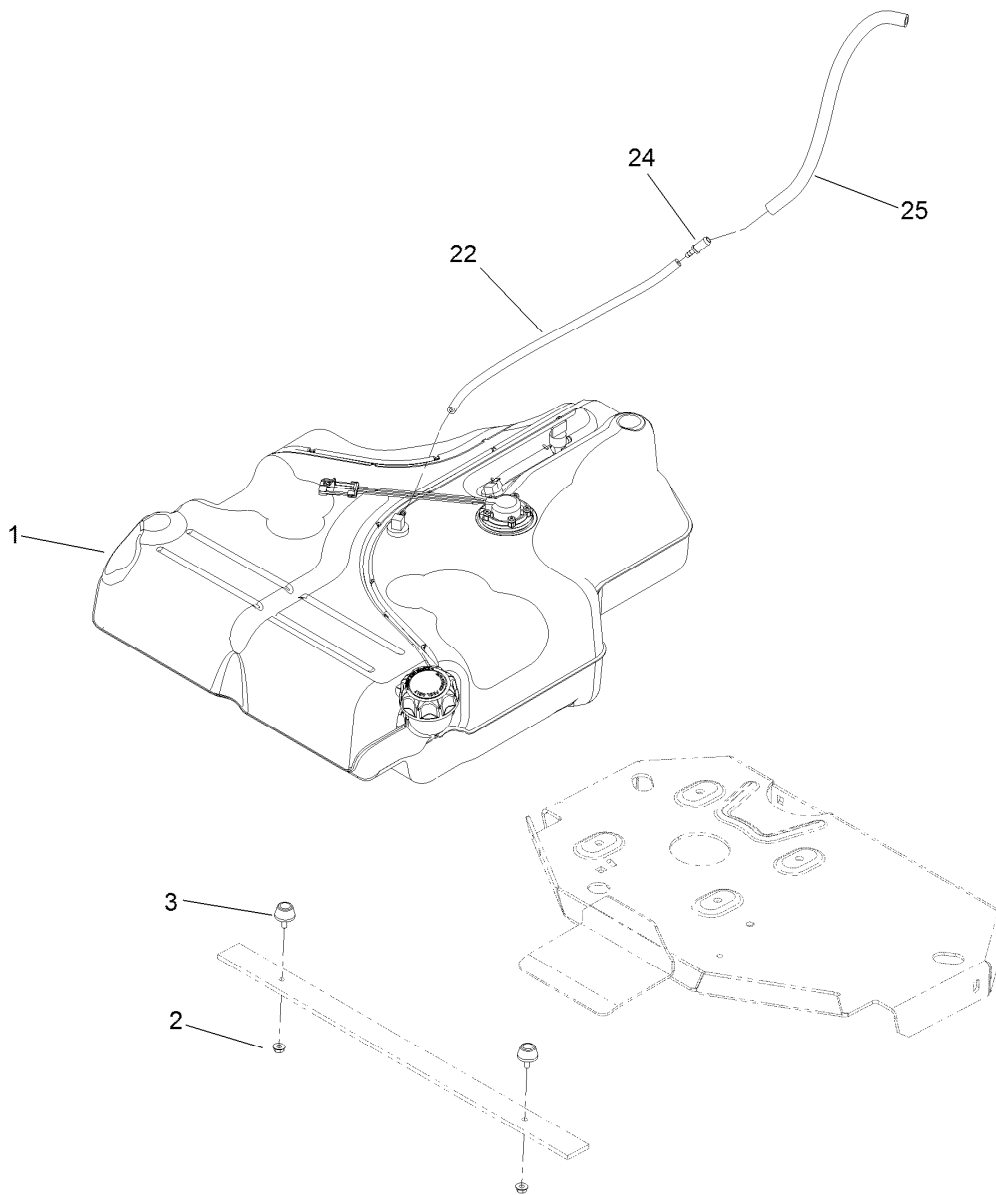
Rear Wheel and Park Brake Assembly

Ref.	Part Number	Qty.	Description	Ref.	Part Number	Qty.	Description
1	116-1878	1	Brake Handle ASM	10	109-0958	2	Plate-Mount, Brake
2	3230-2	2	Bolt-CARR	11	92-5727	4	Screw-Lock, Patch
3	104-8300	2	Nut-Flange, NI	12	112-8379	2	Swivel
4	60-1730	2	Pin-Clevis	13	104-7201	2	Nut-HF
5	3272-1	2	Pin-Cotter	17	3296-13	2	Nut-Lock, NI
6	116-1746	2	Wheel Hub ASM	18	116-2643	2	Decal-Wheel Nut Torque
6:2	116-1696	4	Stud-Wheel	19	115-3584	1	Cable
7	116-5365	2	ASM-Wheel And Tire	20	115-3585	1	Cable
7:1	109-2875	1	Rim ASM	22	116-1399	2	Locknut
7:2	116-5363	1	Tire-Standard	24	3256-24	4	Washer-Flat
7:3	232-27	1	Stem-Valve	25	116-0940	1	Tie-Cable
8	242-50	8	Nut-Lug	26	3219-1	2	Nut-Hex
9	109-2889	2	Caliper-Brake				



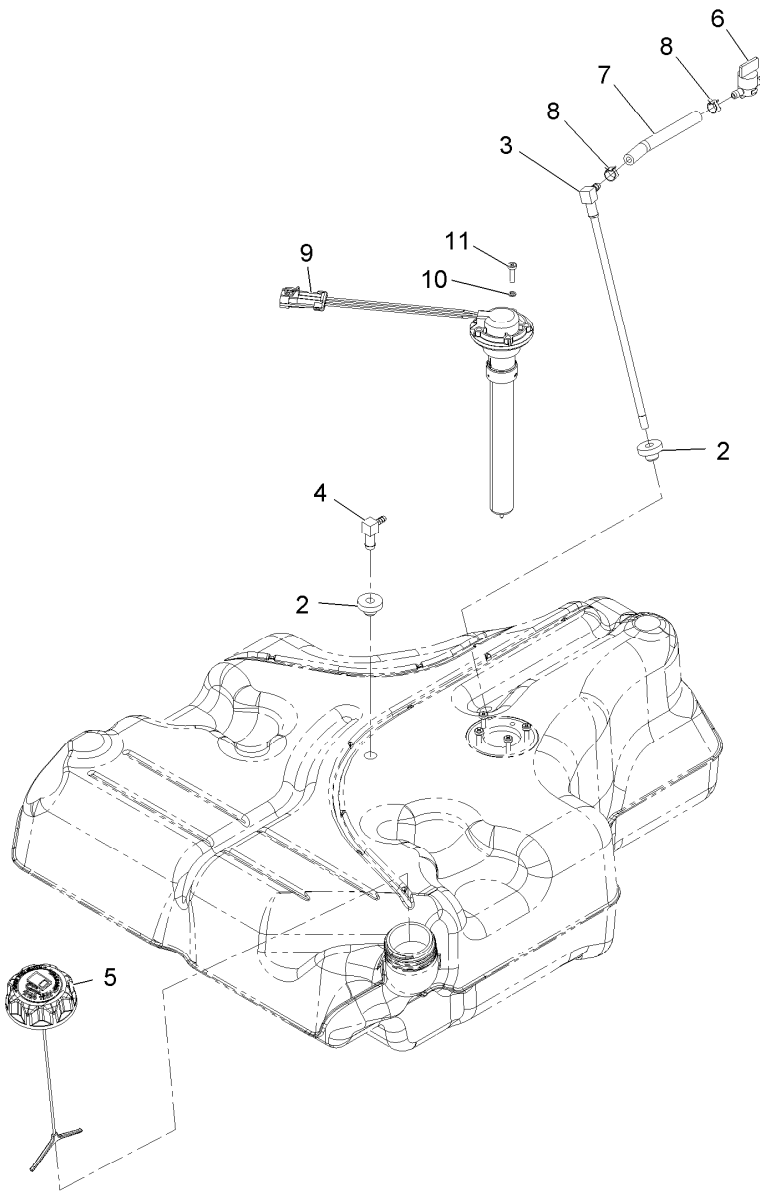
Brake Handle Assembly No. 116-1878

<i>Ref.</i>	<i>Part Number</i>	<i>Qty.</i>	<i>Description</i>	<i>Ref.</i>	<i>Part Number</i>	<i>Qty.</i>	<i>Description</i>
1	99-5107	1	Nut-Lock	10	115-3581	1	Rod-Release, Brake
2	117-0380	1	Spacer	11	115-3592	1	Grip
3	115-3580	1	Arm-Brake, LH	12	112-8387	1	Bolt-Shoulder
4	117-0376	1	Spring-Torsion, RH	13	117-0375	1	Spring-Torsion, LH
5	115-3574	1	Plate-Latch	14	115-3579	1	Arm-Brake, RH
6	104-7201	1	Nut-HF	15	117-0379	1	Bolt-Shoulder
7	116-1876-03	1	Brake Handle ASM	16	3256-26	1	Washer-Flat
8	114-1207	1	Washer-Special	17	115-2750	1	Knob
9	114-8187	1	Spring-Compression				



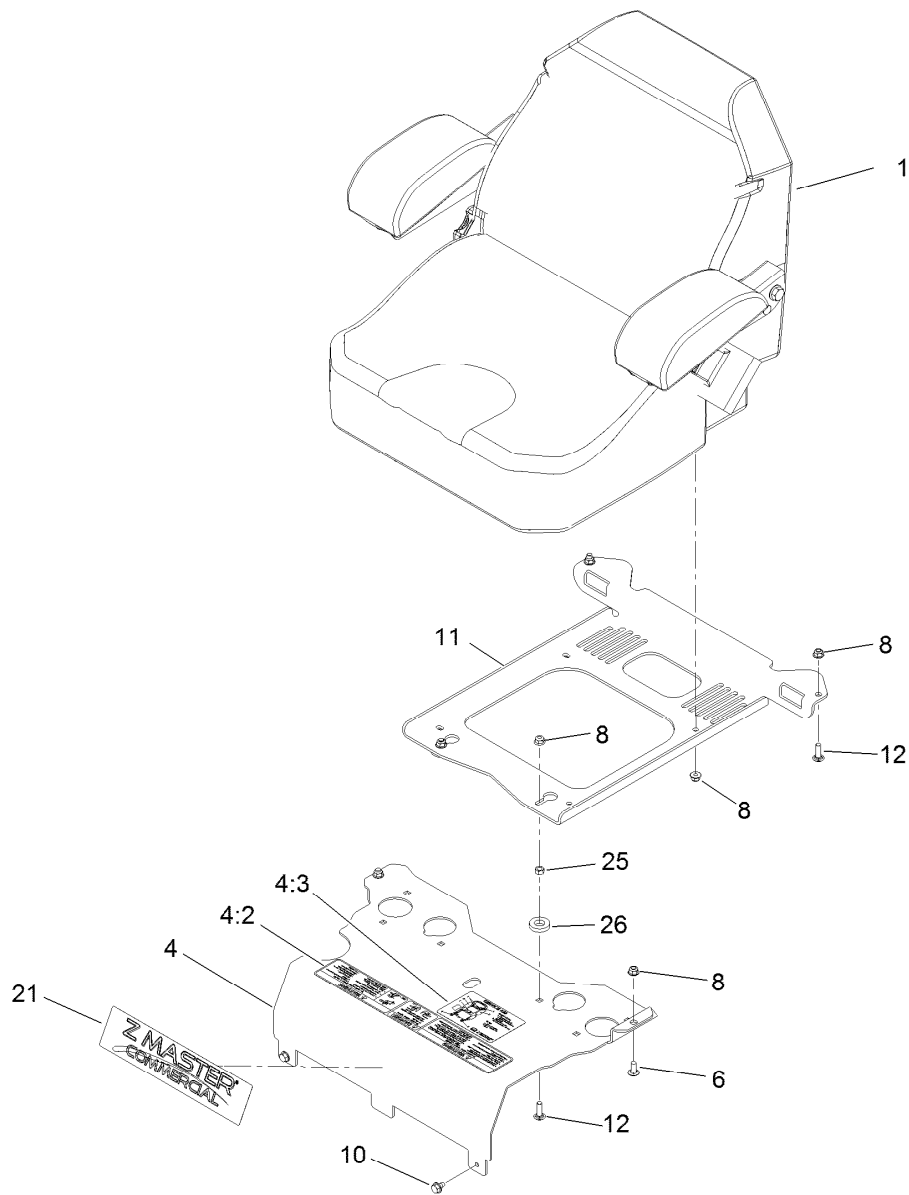
Fuel Tank Mounting Assembly

<i>Ref.</i>	<i>Part Number</i>	<i>Qty.</i>	<i>Description</i>
1	116-3978	1	Fuel Tank ASM
2	32128-33	2	Nut-HF
3	109-2365	2	Rubber Bumper ASM (W/Stud)
22	110-8751	1	Hose-Fuel
24	98-2952	1	Fitting-Straight
25	116-4344	1	Hose-Fuel



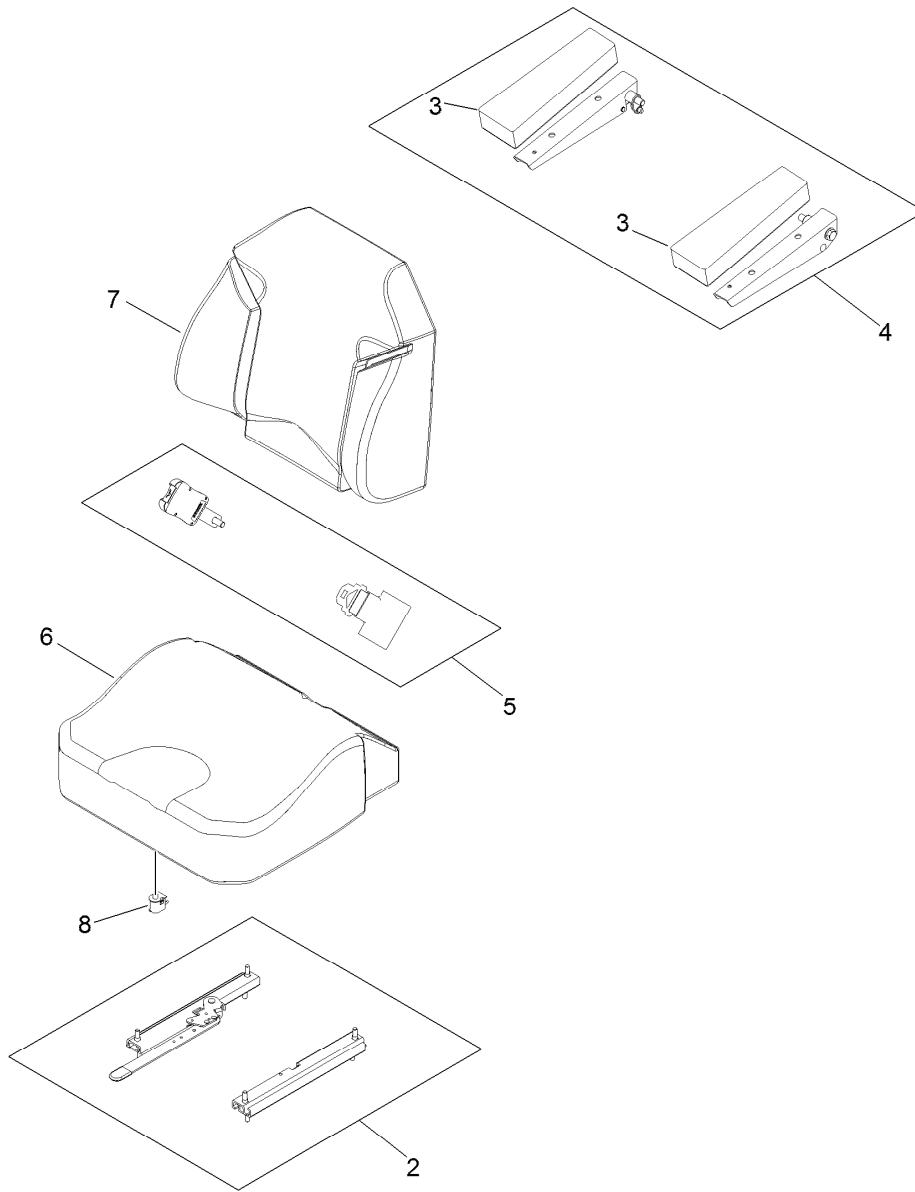
Fuel Tank Assembly No. 116-3978

<i>Ref.</i>	<i>Part Number</i>	<i>Qty.</i>	<i>Description</i>
2	46-6560	2	Bushing
3	116-2459	1	Fuel Line Kit (With Grommet)
4	116-2288	1	Fitting-90 Elbow, 0.043 Orifice
5	116-1704	1	Cap-Fuel, Ratcheting
6	1-603770	1	Valve-Fuel
7	109-0650	1	Hose-Fuel
8	2412-98	2	Clamp
9	116-1981	1	Sender-Fuel
10	3253-17	5	Washer-Lock
11	9107944	5	Screw-Pan



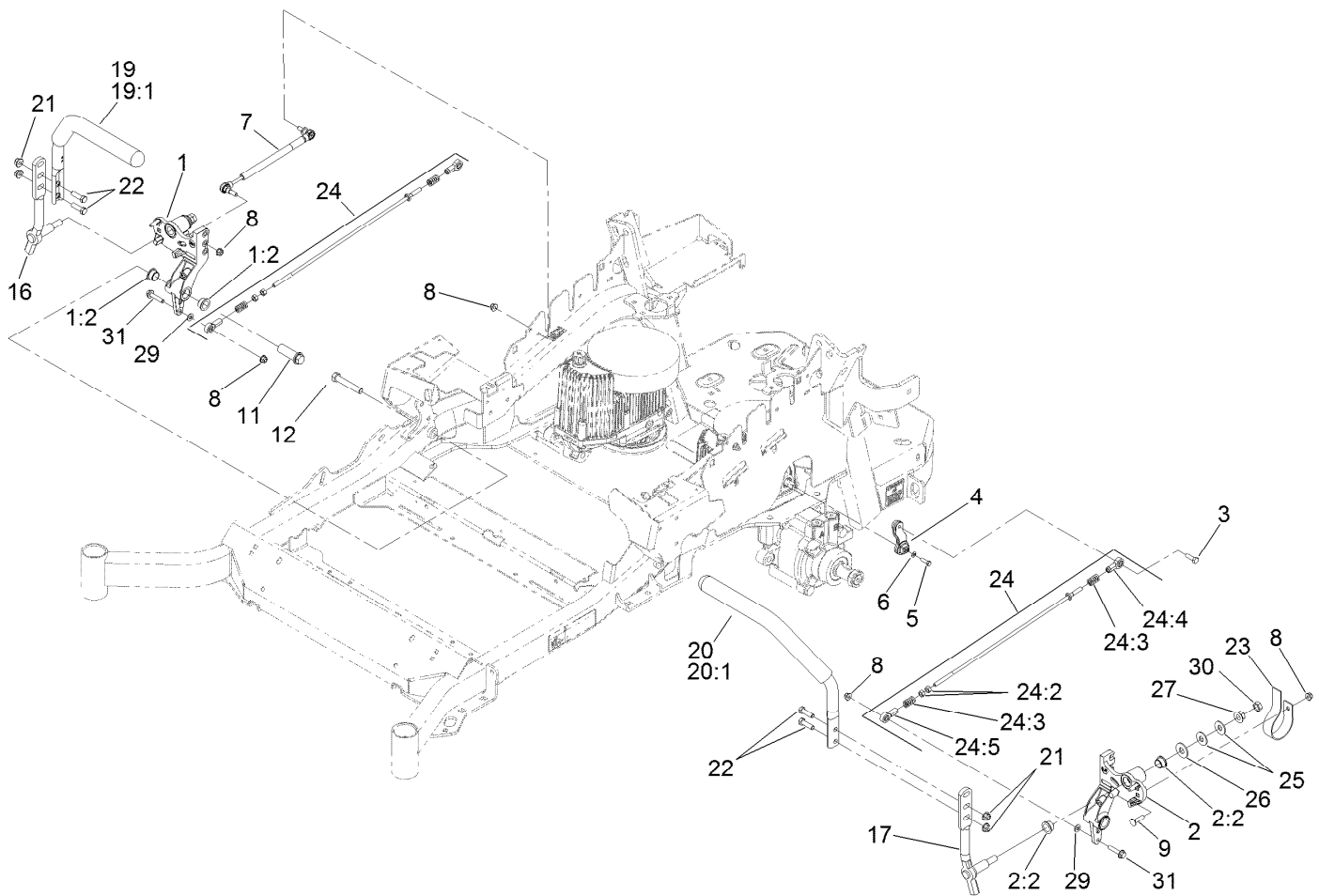
Seat Mounting Assembly

Ref.	Part Number	Qty.	Description
1	116-0038	1	Seat ASM
4	116-2323	1	Mount-Seat
4:2	109-7069	1	Decal-Console
4:3	116-0211	1	Decal-Service Aid
6	3230-23	2	Screw-CARR
8	104-8300	10	Nut-Flange, NI
10	9266934	2	Screw
11	116-0192-03	1	Plate-Support, Seat
12	3230-22	4	Screw-CARR
21	114-5878	1	Decal-Dash
25	3217-6	2	Nut-Hex
26	1-323539	2	Spacer



Seat Assembly No. 116-0038

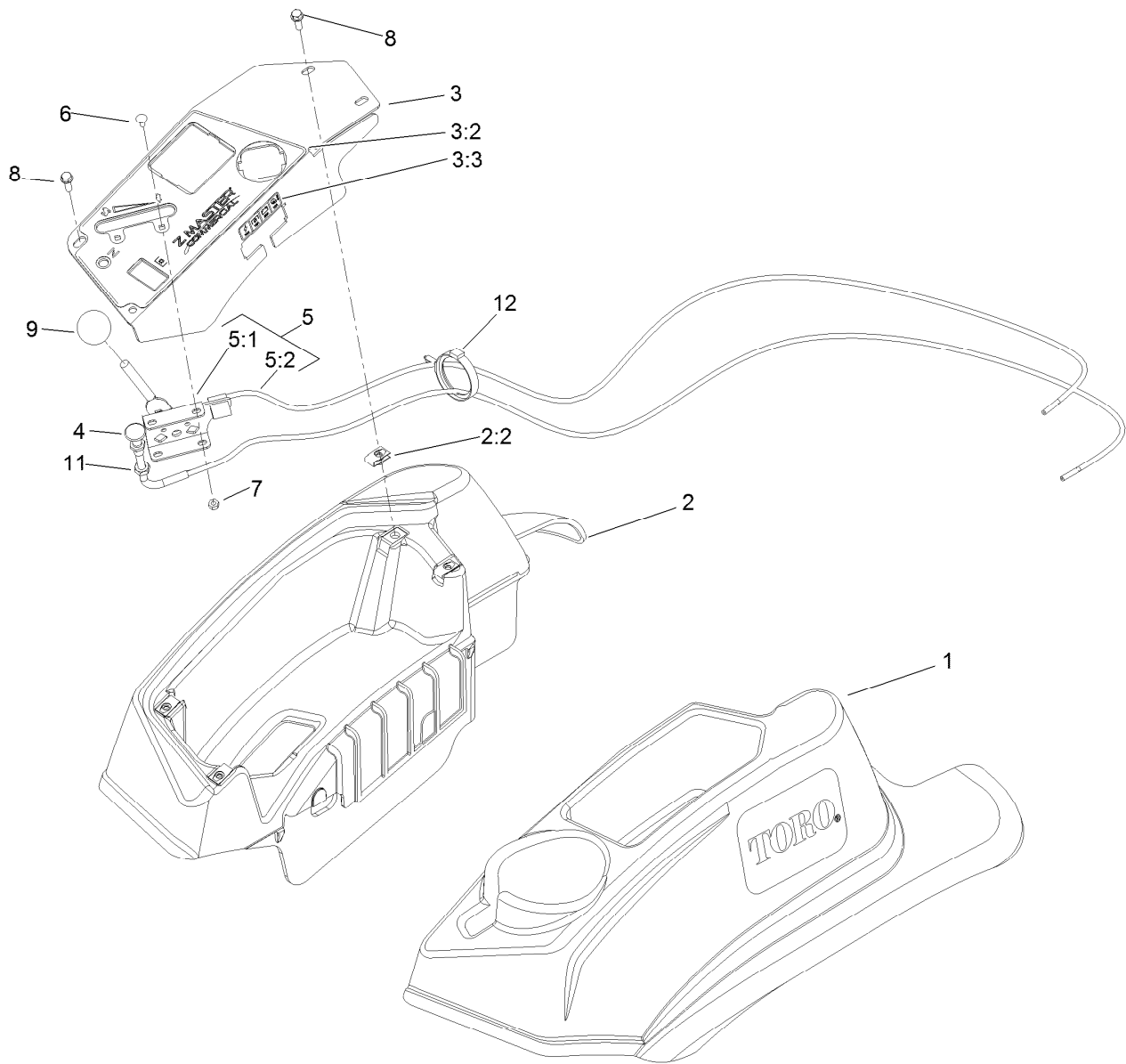
<i>Ref.</i>	<i>Part Number</i>	<i>Qty.</i>	<i>Description</i>
2	109-9801	1	Seat Track Set
3	109-9814	1	Arm Rest Pads Set
4	109-9816	1	Arm Rest Kit
5	109-9805	1	Seat Belt Kit
6	109-9819	1	Cover-Cushion
7	109-9810	1	Cover-Back
8	82-2190	1	Switch-Bail



Motion Control Assembly

Ref.	Part Number	Qty.	Description	Ref.	Part Number	Qty.	Description
1	116-0880	1	RH Motion Control And Bushing ASM	19	109-6591	1	RH Steering Handle ASM
1:2	109-8054	4	Bushing-Flange	19:1	106-9987	1	Grip-Control, Motion
2	116-0881	1	LH Motion Control And Bushing ASM	20	109-6592	1	LH Steering Handle ASM
2:2	109-8054	4	Bushing-Flange	20:1	106-9987	1	Grip-Control, Motion
3	116-0648	2	Screw-HH, Thread Locking ●	21	104-8301	4	Nut-Flange, NI
4	109-4581	2	Arm-Control, Pump	22	323-7	4	Screw-HH
5	9080046	2	Screw-HH ●	23	109-5575	2	Spring-Leaf
6	1-303435	2	Washer-Spring	24	109-8107	2	Pump Linkage Rear ASM
7	116-0027	2	Damper-Control, Motion	24:2	3219-2	2	Nut-Hex
8	104-8300	8	Nut-Flange, NI	24:3	1-323245	2	Spring-Compression
9	3230-2	2	Bolt-CARR	24:4	1-633152	1	Balljoint-LH
11	109-5891	2	Hub-Threaded	24:5	1-543017	1	Balljoint-RH
12	325-12	2	Screw-HH	25	109-9505	4	Washer-Spring
16	116-0039	1	Lever-Control Motion, RH	26	3256-6	2	Washer-Flat
17	116-0040	1	Lever-Control Motion, LH	27	32128-56	2	Nut-HF
				29	3256-23	2	Washer-Flat
				30	3218-5	2	Nut-Jam
				31	115-1794	2	Screw-HHF

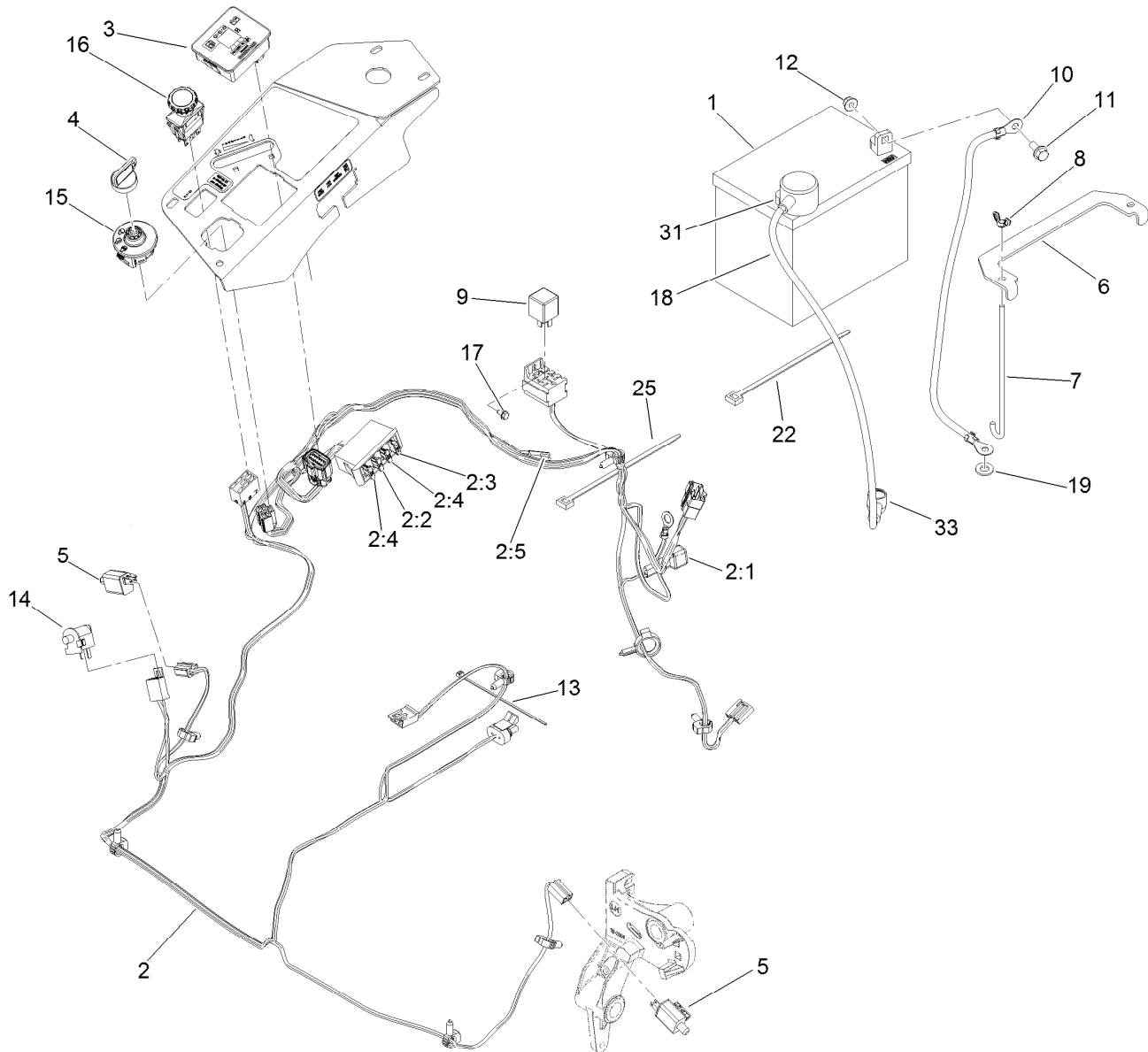
● Use Pro-Lock, Nut Type (P/N 1-840022, .5ml tube) on threads.



Fender, Console and Control Assembly

Ref.	Part Number	Qty.	Description
1	119-2602	1	Console-LH
2	119-2603	1	RH Console ASM
2:2	107069	4	Clip
3	119-6663	1	Control Panel ASM
3:2	119-6662	1	Decal-Panel, Control
3:3	114-4466	1	Decal-Fuses
4	115-2753	1	Choke Control ASM
5	110-5727	1	Control-Throttle ASM

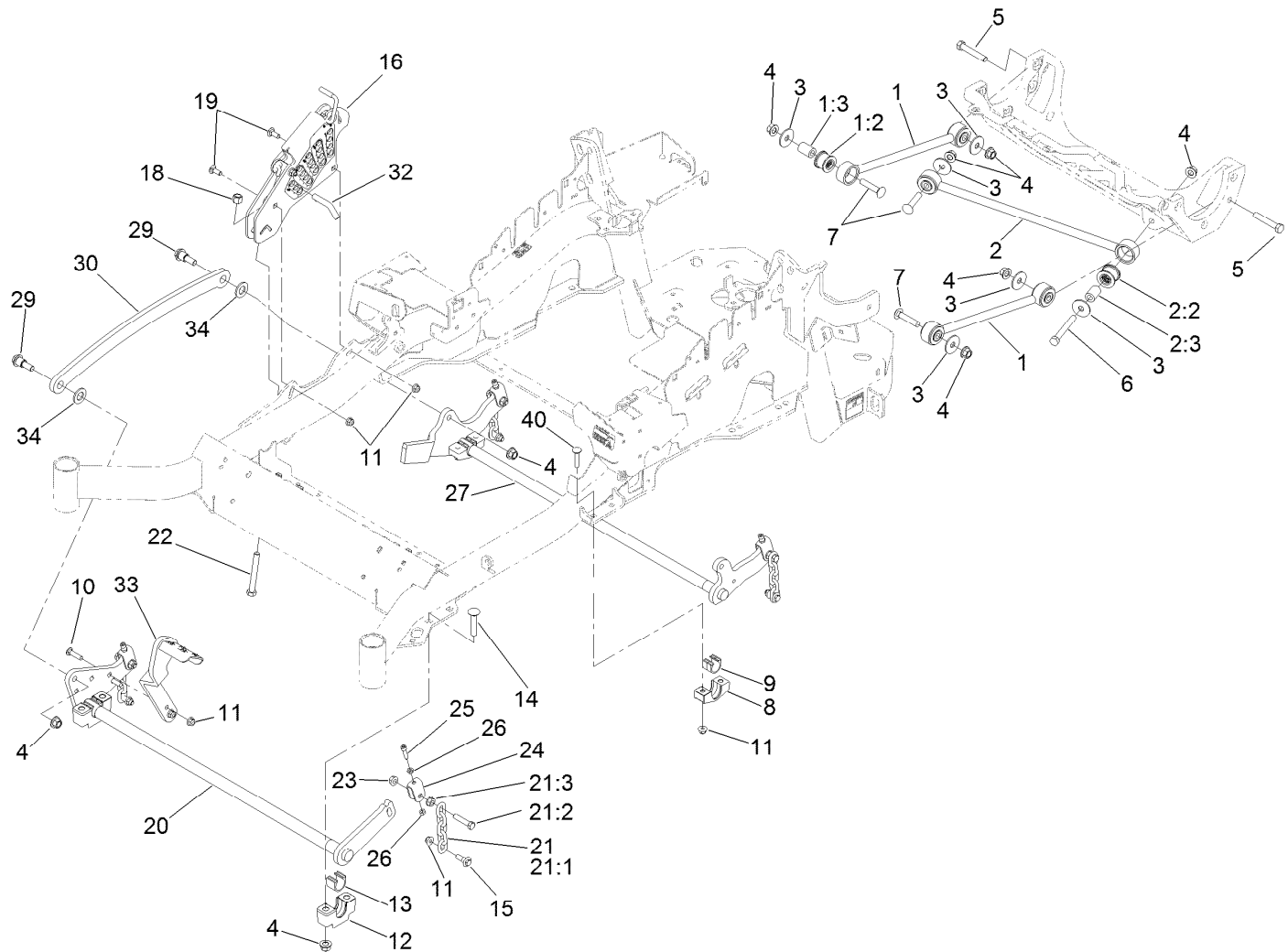
Ref.	Part Number	Qty.	Description
5:1	112-2334	1	Lever-Throttle
5:2	110-5728	1	Cable Throttle
6	1-807513	2	Bolt-CARR
7	3296-2	2	Nut-Lock, NI
8	32105-15	4	Screw
9	1-603175	1	Knob-Ball
11	3220-3	1	Nut-HJ
12	117-7817	1	Clamp-Harness



Electrical System Assembly

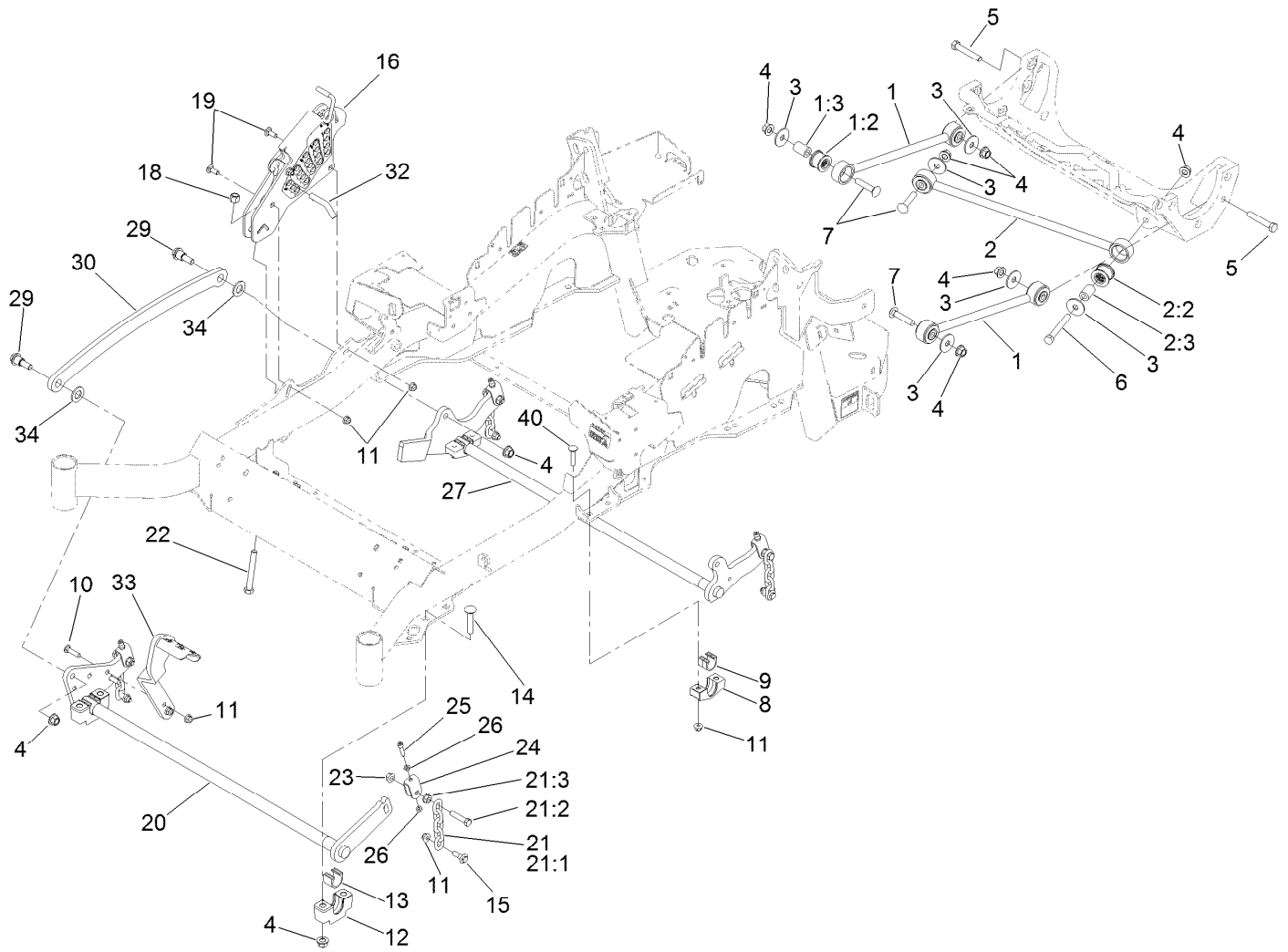
Ref.	Part Number	Qty.	Description	Ref.	Part Number	Qty.	Description
1	104-2491	1	Battery	10	114-1218	1	Cable-Battery, Negative
2	115-2796	1	Harness-Wire, Main ●	11	3234-5	2	Screw-HHF
2:1	103-3895	1	Diode-Tvs	12	104-8300	2	Nut-Flange, NI
2:2	218-578	1	Fuse-Blade, 10 Amp	13	1-303287	3	Tie-Cable
2:3	109355	1	Fuse-Blade, 15 Amp	14	82-2190	1	Switch-Bail
2:4	109102	2	Fuse-Blade, 25 Amp	15	117-2221	1	Switch-Ignition
2:5	116-0053	1	Cap-Plug	16	116-0124	1	Switch-PTO, 10A
3	117-3882	1	Fuel/Hour Meter ASM	17	104-2065	1	Screw-HWH
4	63-8360	1	Key-Ignition	18	115-3864	1	Cable-Battery, Positive
5	110-6765	2	Switch-Single Pole No	19	3256-24	1	Washer-Flat
6	116-0042-03	1	Strap-Tie Down, Battery	22	1-303335	1	Tie-Plastic
7	1-633651	2	Bolt-Holddown	25	1-303335	1	Tie-Plastic
8	1-543792	2	Wingnut	31	109-2407	1	Insulator-Battery
9	1-643275	1	Relay	33	1-543393	1	Insulator-Solenoid

● Use dielectric grease on all wiring harness connectors.



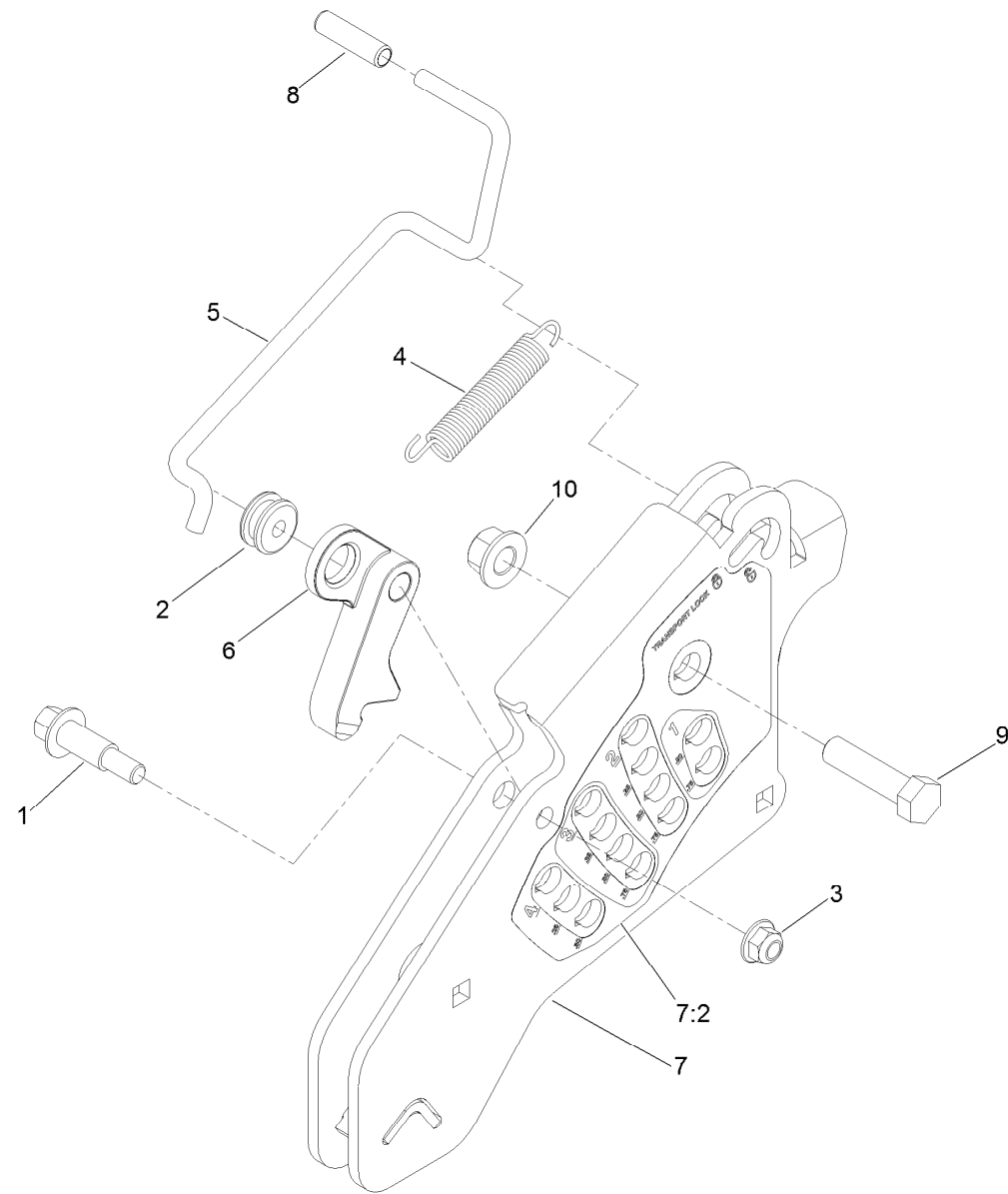
Deck Lift Assembly

Ref.	Part Number	Qty.	Description	Ref.	Part Number	Qty.	Description
1	109-7952	2	Deck Strut ASM	14	116-1700	4	Bolt-CARR
1:2	109-5009	2	Bushing-Suspension, Rubber	15	109-9840	4	Screw-Shoulder, HHF
1:3	109-5010	2	Spacer	16	116-1970	1	Height-Of-Cut ASM
2	109-5013	1	Panhard Rod ASM	18	3296-23	1	Nut-Lock, NI
2:2	109-5009	2	Bushing-Suspension, Rubber	19	3231-2	2	Screw-CARR
2:3	109-5010	2	Spacer	20	116-2217-03	1	Cross Shaft Front ASM
3	86-1990	6	Washer	21	116-0756	4	Deck Lift Chain ASM
4	99-5107	12	Nut-Lock	21:1	1-633447	1	Chain-Lift, Deck
5	325-12	2	Screw-HH	21:2	109-9065	1	Screw-HH
6	325-17	1	Screw-HH	21:3	32128-37	1	Nut-HF
7	3233-34	3	Screw-CARR	22	116-0559	1	Bolt-TAP
8	116-0818-03	2	Support-Bearing, Cross Shaft Rear	23	32128-37	4	Nut-HF
9	109-7173	2	Bearing-Cross, Rear Shaft	24	109-9066	4	Yoke-Adjust, Deck
10	3231-4	2	Screw-CARR	25	3274-18	4	Screw-HSH
11	104-8301	12	Nut-Flange, NI	26	3218-2	8	Nut-Jam
12	109-9409	2	Support-Cross Shaft, Bearing Front	27	116-0459-03	1	Lift-Deck, Rear
13	109-9410	2	Bearing-Shaft Front, Cross	29	116-0780	2	Screw-HHF, Shoulder
				30	116-0797-03	1	Link-Lift, Deck
				32	109-8757	1	Pin-HOC
				33	116-3452-01	1	Foot Lever



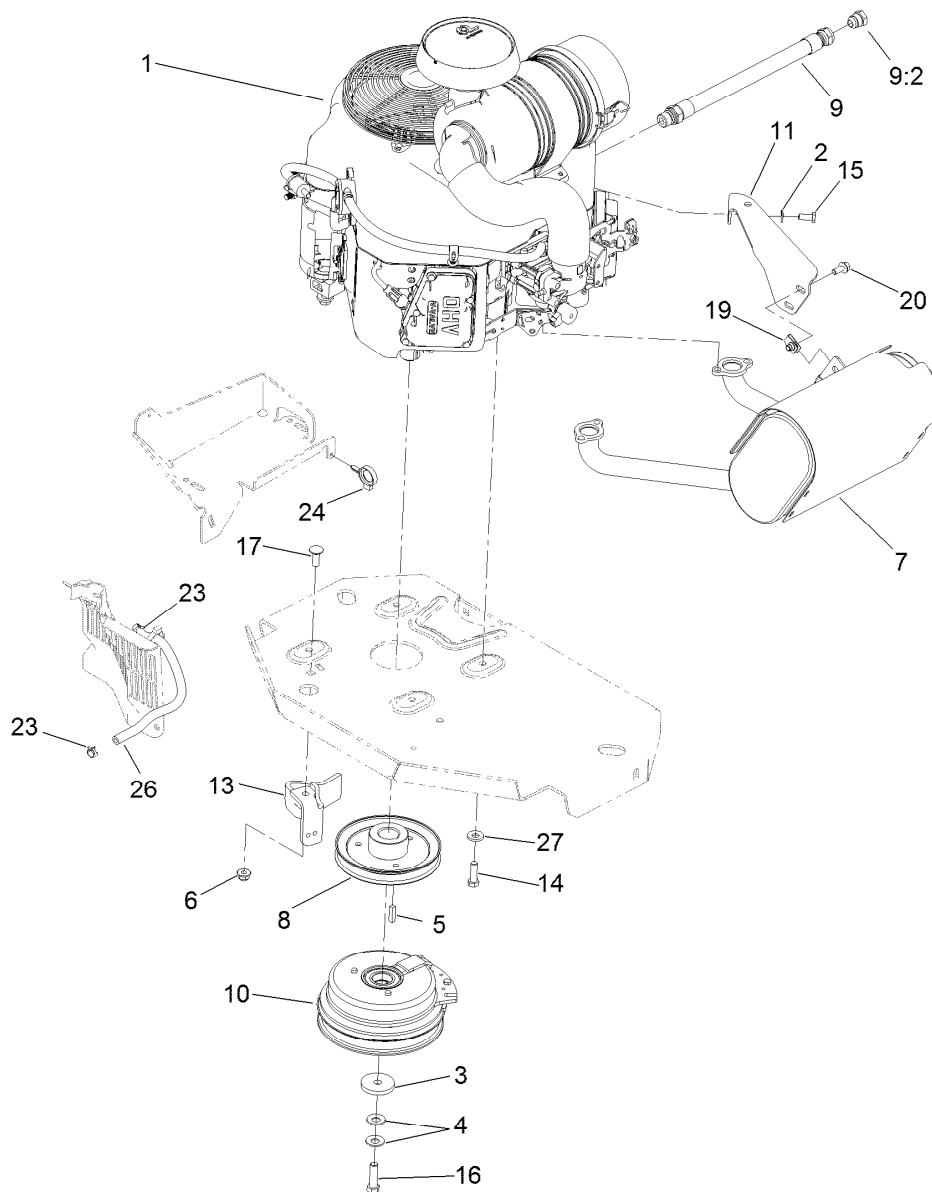
Deck Lift Assembly (continued)

<i>Ref.</i>	<i>Part Number</i>	<i>Qty.</i>	<i>Description</i>
34	3256-28	2	Washer-Flat
40	3231-5	4	Screw-CARR



Height-of-Cut Assembly No. 116-1970

<i>Ref.</i>	<i>Part Number</i>	<i>Qty.</i>	<i>Description</i>
1	62-1330	1	Bolt-Shoulder
2	109-7130	1	Grommet
3	104-8301	1	Nut-Flange, NI
4	109-7124	1	Spring-Extension
5	109-7128	1	Rod-Lock, Transport
6	116-0118	1	Pawl-Transport, HOC
7	116-1961	1	HOC Plate ASM
7:2	116-2927	1	Decal-HOC
8	109-8250	1	Grip-Lever
9	325-8	1	Screw-HH
10	99-5107	1	Nut-Lock



Engine, Clutch and Muffler Assembly

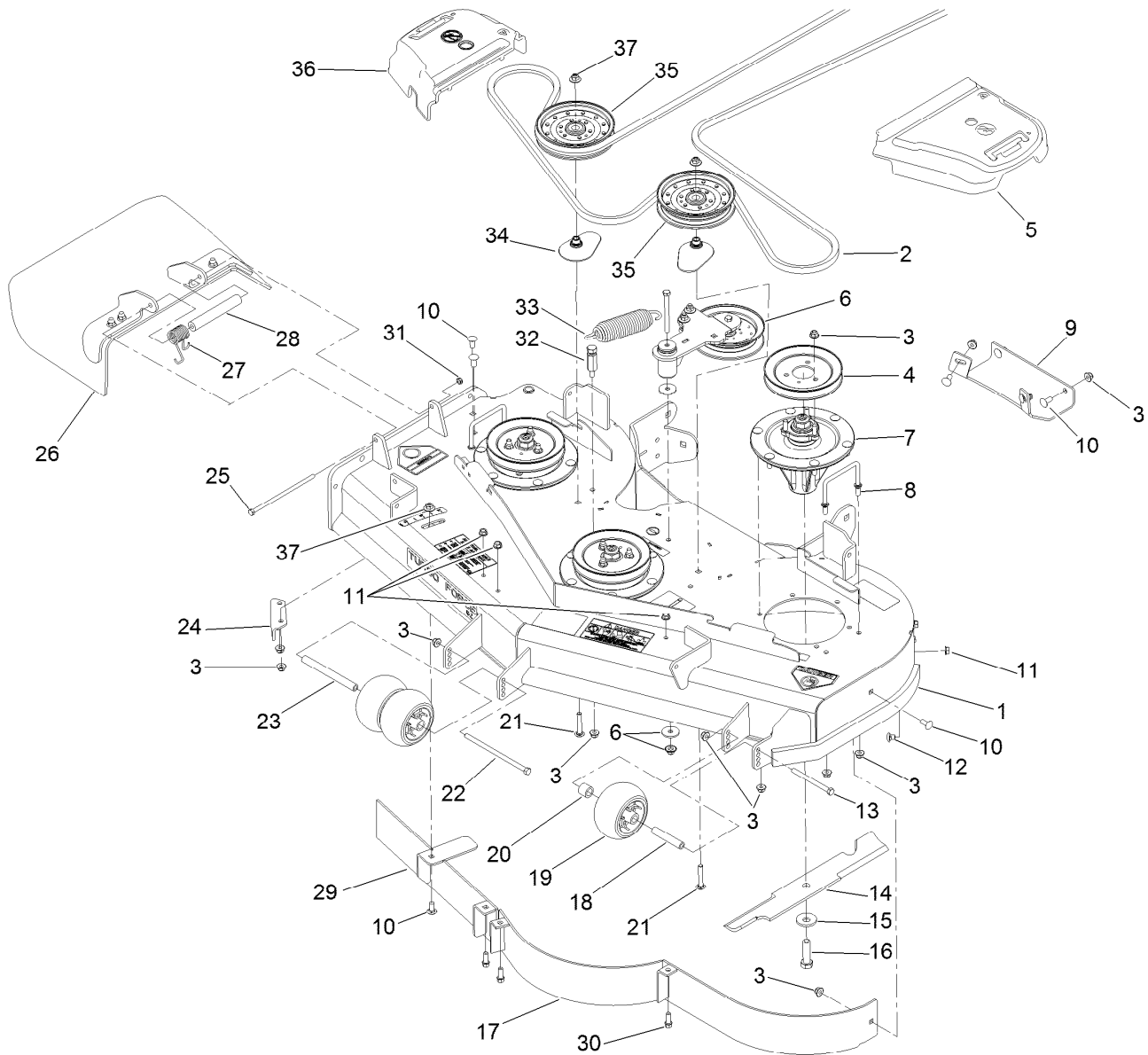
Ref.	Part Number	Qty.	Description	Ref.	Part Number	Qty.	Description
1		1	Engine-Kawasaki, Fx691V-S17-R ●■	11	116-1435	1	Bracket-Muffler
2	1-303334	1	Washer-Spring	13	116-2612-01	1	Clutch-Anchor
3	109-6919	1	Washer-Clutch	14	323-7	4	Screw-HH
4	1-603610	2	Washer-Spring	15	33114-020	2	Screw-HH
5	1-807259	1	Key	16	109-9761	1	Screw-HH,W/Loctite ◆
6	104-8301	1	Nut-Flange, NI	17	3231-22	1	Screw-CARR
7	116-1715	1	Muffler	19	94-2413	2	U-Nut
8	116-1946	1	Sheave-Pump, Drive	20	3234-5	2	Screw-HHF
9	109-4490	1	Oil Drain Hose ASM ▲	23	2412-98	2	Clamp
9:2	109-1012	1	Plug	24	105-1853	1	Clamp-Hose
10	116-1947	1	Clutch	26	109-0296	1	Hose-Fuel
				27	98-5975	4	Washer-Belleville

● Not serviced separately

▲ Use a Teflon Pipe Sealant or equivalent on threads.

◆ Use Pro-Lock, Nut Type (P/N 1-840022, .5ml tube) on threads.

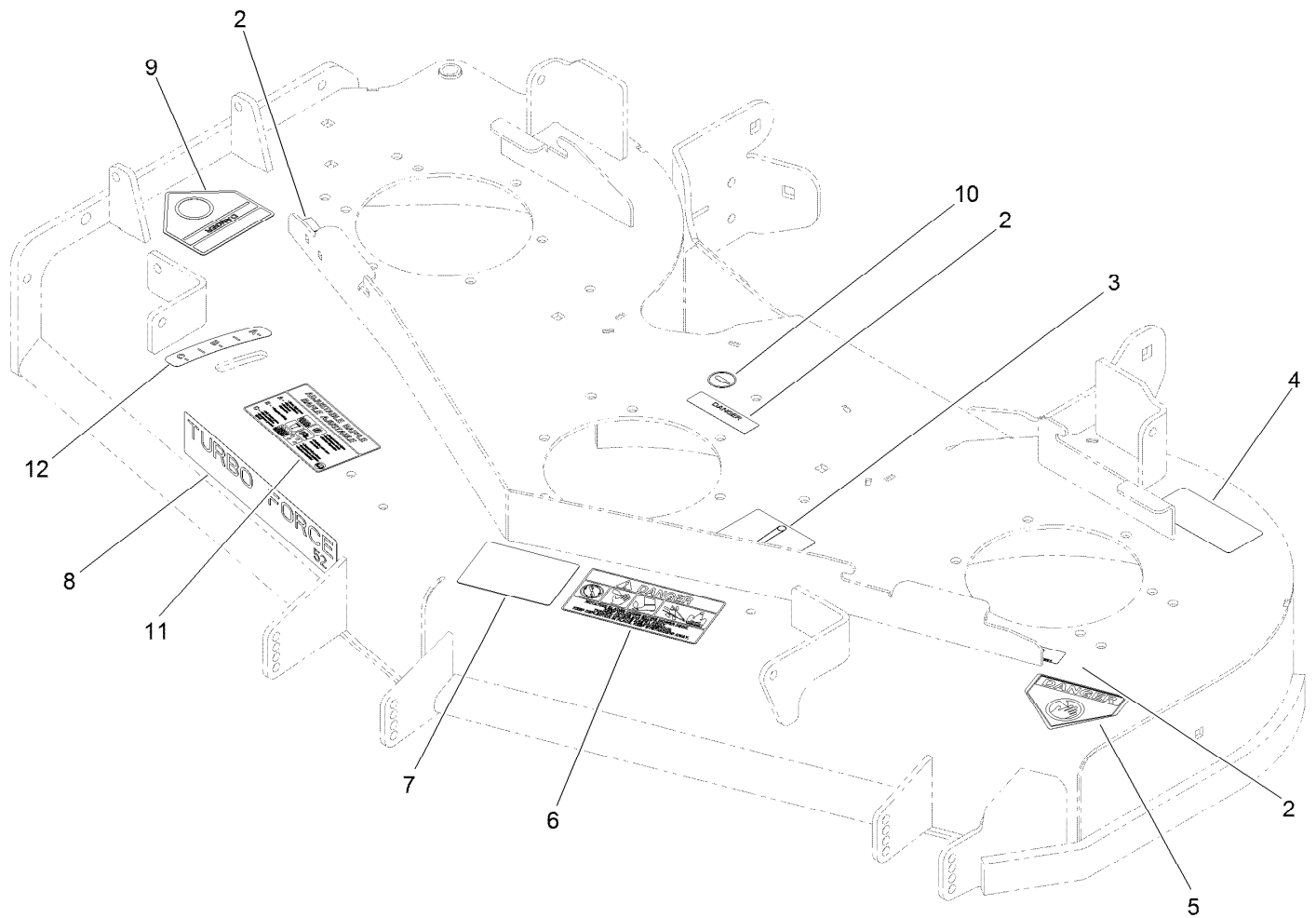
■ Obtain parts from www.kawpowerepc.com



Deck Assembly

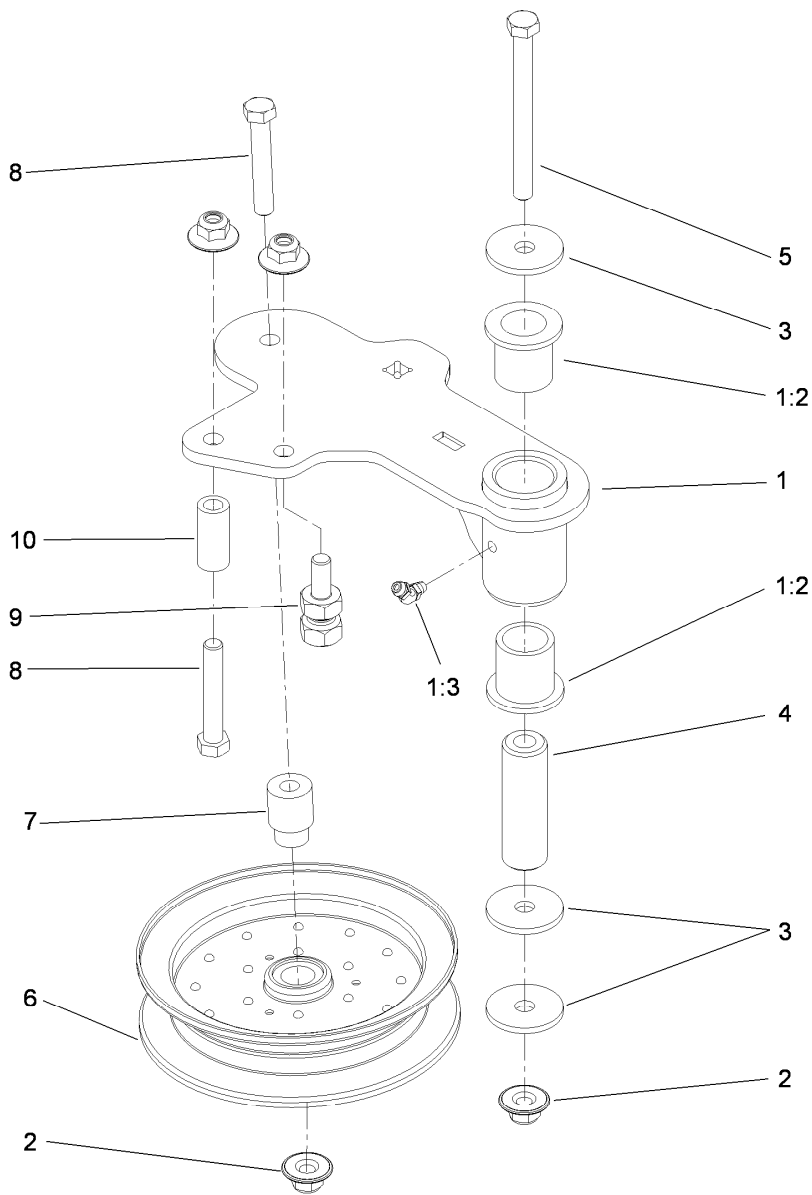
Ref.	Part Number	Qty.	Description	Ref.	Part Number	Qty.	Description
1	114-5810	1	Deck Decal ASM	20	98-7913	1	Tube-Spacer
2	115-7426	1	Belt-V	21	3231-40	2	Bolt-CARR
3	104-8301	41	Nut-Flange, NI	22	108-5388	1	Screw-HH
4	115-7450	3	Pulley	23	98-5967	1	Spacer-Wheel
5	109-6936	1	Cover-Belt, LH	24	107-8541-01	1	Baffle-Discharge
6		1	Idler Arm ASM ●	25	322-50	1	Screw-HH
7	119-8560	3	Spindle ASM	26	108-7770	1	Rubber Deflector ASM
8	109-6982	2	Wireform-Cover	27	108-4052	1	Spring-Torsion
9	112-4230-01	1	Plate-Skid	28	105-4622	1	Spacer
10	3231-27	8	Screw-CARR	29	115-7455-01	1	Baffle ASM
11	3290-357	6	Nut-HHF, Whiz	30	92-1624	3	Screw-HWH
12	108-5387	3	Screw-CARR	31	3296-47	1	Nut-Lock, NI
13	323-23	1	Screw-HH	32	114-5867	1	Anchor-Spring, Tall
14	105-7781-03	3	Blade-18 Inch (Hi Flow)	33	116-0133	1	Extension-Spring
15	103-0865	3	Washer-Blade Bolt, Heavy	34	109-2872	2	Spacer-Pulley
16	51-4060	3	Screw-Blade	35	114-5895	2	Pulley-Idler, Flat
17	115-7461-01	1	Baffle ASM	36	109-6935	1	Cover-Belt, RH
18	98-7912	1	Tube-Spacer	37	109-6658	3	Nut-Flange, NI
19	1-603299	3	Roller-Scalp, Anti				

● Not serviced separately



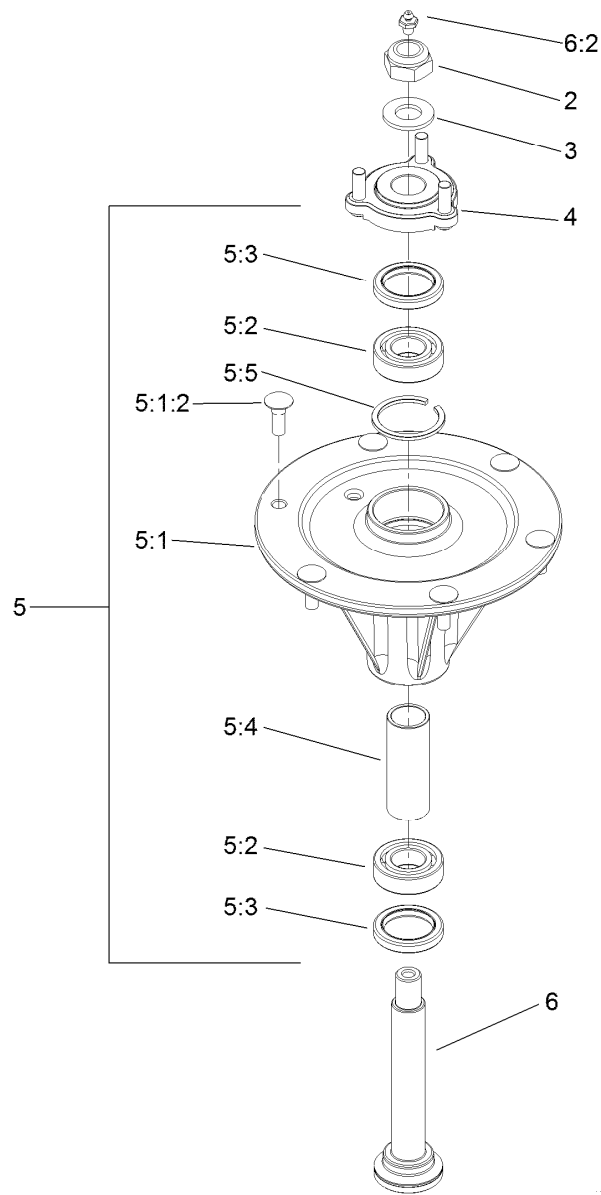
Deck Decal Assembly No. 114-5810

Ref.	Part Number	Qty.	Description
2	98-5954	3	Decal-Cover, Missing
3	115-7445	1	Decal-Routing, Deck Belt
4	68-8340	1	Decal-Torque
5	1-403005	1	Decal-Danger
6	66-1340	1	Decal-Danger, Thrown Object
7	105-7798	1	Decal-Scalp, Anti
8	107-1618	1	Decal
9	54-9220	1	Decal-Danger
10	58-6520	1	Decal-Grease
11	110-2068	1	Decal-Adjustment, Baffle
12	110-2067	1	Decal-Setting, Baffle



Idler Assembly

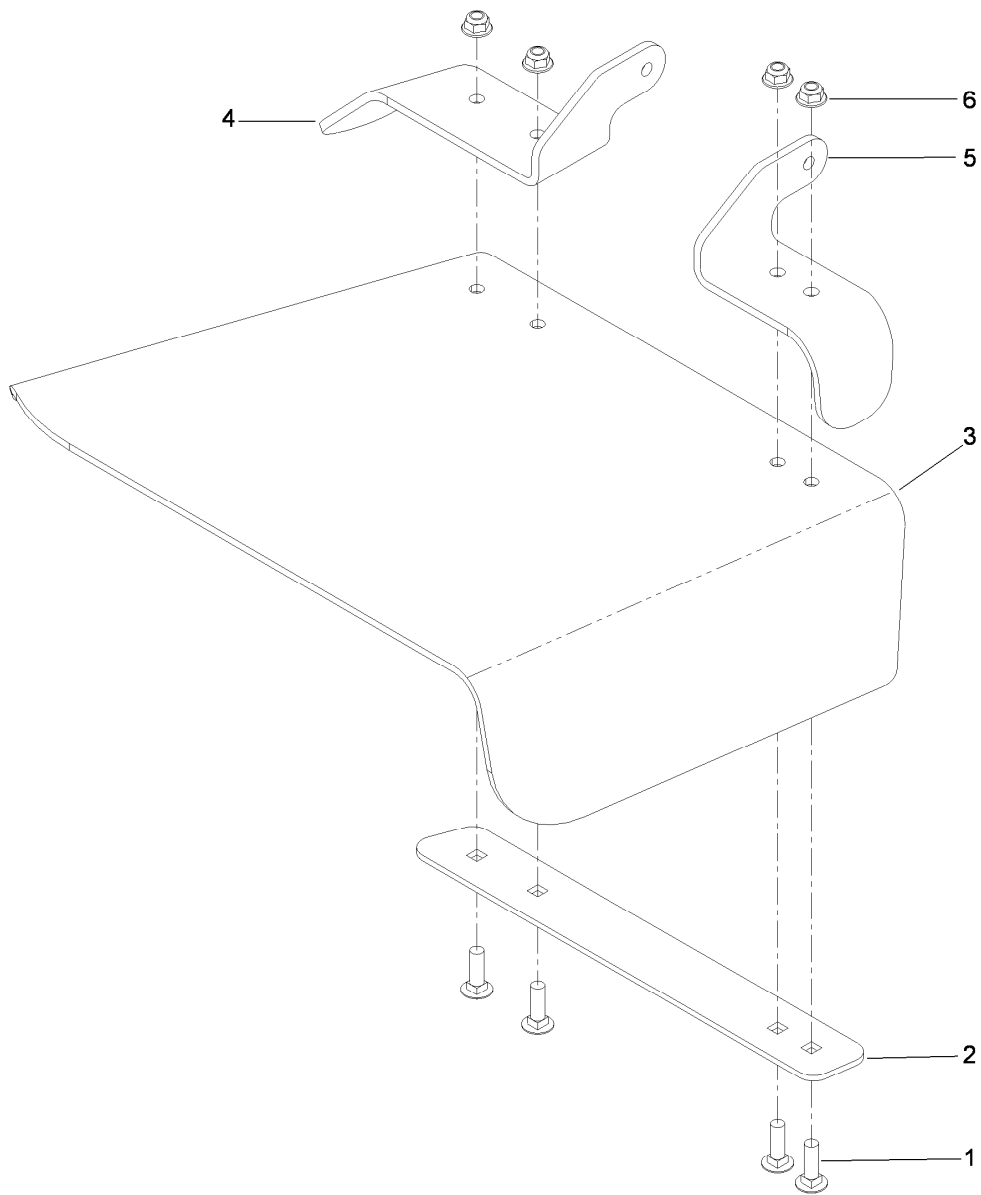
<i>Ref.</i>	<i>Part Number</i>	<i>Qty.</i>	<i>Description</i>
1	114-5870	1	Idler Arm ASM
1:2	1-303514	2	Bearing-Flanged
1:3	1481	1	Fitting-Grease
2	109-6658	4	Nut-Flange, NI
3	1-213069	3	Washer
4	114-5848	1	Spacer-Plain
5	98-5961	1	Screw-HH
6	103-8743	1	Pulley-Idler, Flanged
7	112-4212	1	Mount-Pulley
8	323-11	2	Screw-HH
9	114-5866	1	Anchor-Spring, Short
10	104-0151	1	Spacer



Spindle Assembly No. 119-8560

Ref.	Part Number	Qty.	Description
2	3296-67	1	Nut-Lock, NI
3	92-5836	1	Washer
4	117-6172	1	Spindle Hub ASM
5		1	Spindle Housing ASM ●
5:1		1	Spindle Housing And Studs ASM ●
5:1:2	114-8195	6	Bolt-Ribbed Neck
5:2	119-8554	2	Bearing -Noseal
5:3	253-133	2	Seal-Oil
5:4	117-6184	1	Spacer
5:5	114-8161	1	Ring-Snap
6	119-8527	1	Spindle Shaft And Zerk ASM
6:2	302-2	1	Fitting-Grease

● Not serviced separately



Rubber Deflector Assembly No. 108-7770

<i>Ref.</i>	<i>Part Number</i>	<i>Qty.</i>	<i>Description</i>
1	3231-25	4	Screw-CARR
2	106-3248-03	1	Strap-Discharge
3	108-5029	1	Deflector-Rubber
4	108-7767-03	1	Bracket-Hinge, Rear
5	108-7766-03	1	Bracket-Hinge, Front
6	104-8301	4	Nut-Flange, NI

Attachments and Accessories

For 74953 Z Master G3 Riding Mower with 52in TURBO FORCE Side Discharge Mower

Product Name	Model/Part
Blade-Recycler, 18 inch	105-7779-03
Blade-Hi Flow, 18 Inch	105-7781-03
Blade-Med Flow, 18 inch.....	105-7794-03
Blade-Low Flow, 18 inch	105-7795-03
Blade-Atomic, 18 inch.....	105-7796-03
Blade-Hi Flow, 18 inch (6 Pack)	108-1117
Blade-Atomic, 18 inch (6 Pack).....	108-1118
Hitch Kit	109-9487
Blade-Lo Flow, 18 inch (6 Pack)	110-0406
Blade-Recycler, 18 inch (6 Pack).....	110-0408
Blade-Med Flow, 18 inch (6 Pack)	110-0409
Hypr-Oil 500 (quart)	114-4713
Hypr-Oil 500 (gallon).....	114-4714
Hypr-Oil 500-5 (5 gallon).....	114-4715
Bimini Folding Shade Assembly	115-4510
Recycler Kit	115-7467
Roller Striper Kit.....	115-7470
Light Kit.....	116-1154
Z Stand Kit.....	117-0350
Operator-Controlled Discharge Chute Kit	117-3600
Deluxe Suspension Seat Kit	117-6174
Toro Deluxe Rider Cover.....	490-7319
Spark Arrestor Screen	75-6880
Blower and Drive Kit	78552
E-Z Vac Twin Bagging System.....	78562
E-Z Vac DFS Collection System	78566
Filter Minder Gauge	99-4664
Trash Holder Kit.....	TC26

Notes:

Notes:



Count on it.