



Front Comb Kit

18in and 21in DPA Greensmaster® Cutting Reel

Model No. 115-7380

Model No. 115-7381

Model No. 115-7382

Model No. 120-9624

Model No. 120-9625

Model No. 120-9626

Installation Instructions

1. Remove the plow bolt, washer and nut securing one of the height of cut (HOC) arms to the cutting unit side plate (Figure 1).
2. Loosen the roller mounting screws in the HOC arms (Figure 1).
3. Slide the HOC arm off the roller shaft (Figure 1).
4. Slide the roller shaft out of the HOC arm on the opposite end of the cutting unit.

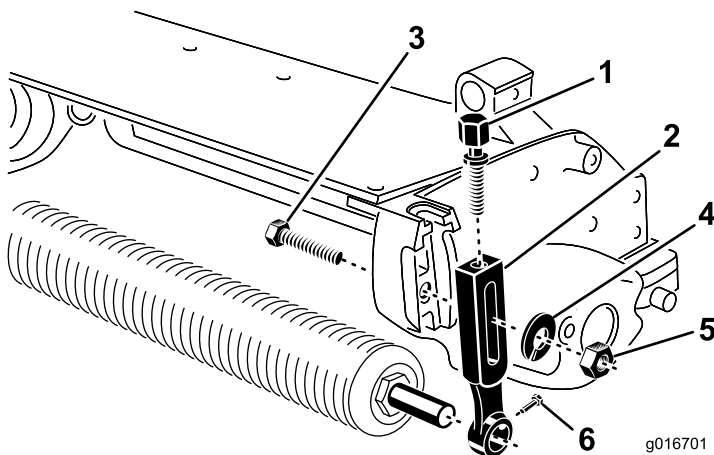


Figure 1

- | | |
|--------------------|--------------------------|
| 1. Adjusting screw | 4. Washer |
| 2. HOC arm | 5. Nut |
| 3. Plow bolt | 6. Roller mounting screw |

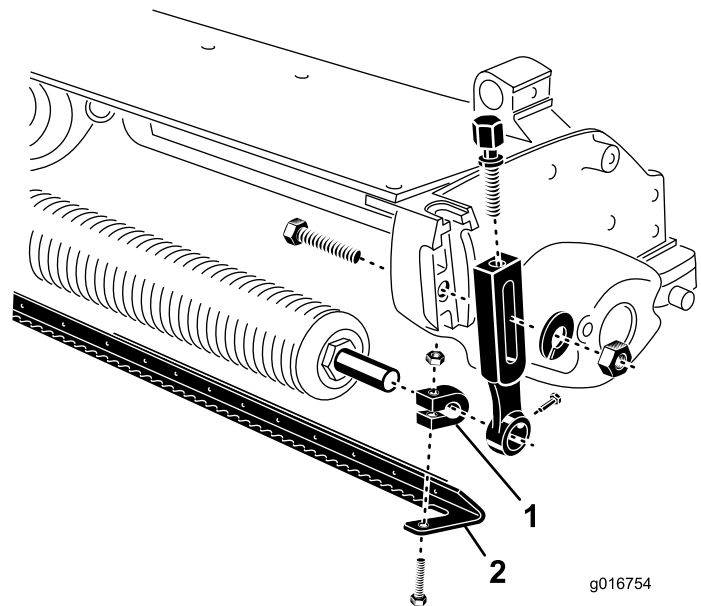


Figure 2

- | | |
|----------|---------|
| 1. Clamp | 2. Comb |
|----------|---------|

5. Insert a shaft clamp onto each end of the roller shaft (Figure 2).
6. Loosely install the roller to the cutting unit with the HOC arm and fasteners previously removed.
7. Adjust to the desired height of cut and tighten HOC arm mounting fasteners.
8. Position the comb between the front roller and the cutting unit as shown in Figure 2.
9. Loosely install the comb to each clamp with a capscrew and nut (Figure 2). Do not tighten.

10. Center the comb on the roller.
11. Move the scraper in or out until the desired roller clearance is attained. The scraper must not contact the roller. Make sure the scraper is parallel to the roller.
12. Tighten the capscrews and nuts securing the clamps to the roller shaft. Torque to 96 in-lbs (11 N-m).
13. Center the roller and comb between the HOC arms.
14. Rotate the comb down until the desired turf contact is attained.
15. Tighten the roller mounting screws.