



**Count on it.**

**Parts Catalog**

**Front Comb Kit**

**18in and 21in DPA Greensmaster® Cutting Reel**

Model No. 115-7380

Model No. 115-7381

Model No. 115-7382

Model No. 120-9624

Model No. 120-9625

Model No. 120-9626

# Ordering Replacement Parts

To order replacement parts, please supply the part number, the quantity, and the description of each part desired.

## Understanding Reference Numbers

Each identified part in an illustration has a reference number. The reference number for a part also appears in the parts list, along with other information about the part.

This catalog uses two special reference number formats, one to indicate parts in a service assembly and another to indicate the quantity of a given part in an illustration.

## Service Assembly Reference Numbers

Parts in service assemblies have reference numbers in the form a:b. The a represents the reference number of the entire service assembly and the b represents a sequential number unique to each part within the service assembly.

For example, a wheel assembly might be identified by reference number 6, the tire by 6:1, the valve by 6:2, and the wheel by 6:3. When you order the assembly identified by reference number 6, you receive all parts identified by reference numbers 6:1, 6:2, and 6:3. However, you may also order any part individually. Reference numbers of this type appear in illustration and in parts lists.

## Reference Numbers Indicating Quantity

In an illustration, if a reference number indicates more than one part, the reference number has the form nX y. The n represents the quantity of the part, the X is the multiplication symbol, and the y represents the reference number.

For example, in an illustration, the reference number 2X 37 means that two of the parts identified by reference number 37 are indicated.

# List of Abbreviations

**AR:** as required

**ASM:** assembly

**BBC:** blade brake control

**BHTF:** button head thread forming

**CARR:** carriage

**CCW:** counter clockwise

**CW:** clockwise

**DEG:** degrees

**DPA:** Dual Point Adjustment

**ECM:** electronic control module

**EXT:** external

**FH:** flat head

**GA:** gauge

**HD:** heavy-duty

**HF:** hex flange

**HH:** hex head

**HHF:** hex head flange

**HHFTF:** hex head flange thread forming

**HJ:** hex jam

**HLH:** hex lag head

**HOC:** height-of-cut

**HSBH:** hex socket button head

**HSFH:** hex socket flat head

**HSH:** hex socket head

**HWH:** hex washer head

**HWHTF:** hex washer head thread forming

**HYD:** hydraulic

**LH:** left hand

**LP:** Liquid Propane

**NI:** nylon insert

**NPTF:** national pipe thread fine

**PFH:** phillips flat head

**PPH:** phillips pan head

**PPHTF:** phillips pan head thread forming

**PRH:** phillips round head

**PTH:** phillips truss head

**PTO:** power-take-off

**RH:** right hand

**ROPS:** roll-over protection system

**RRB:** rear roller brush

**SFH:** slotted fillister head

**SHH:** slotted hex head

**SHWH:** slotted hex washer head

**SPH:** slotted pan head

**SQH:** square head

**SRH:** slotted round head

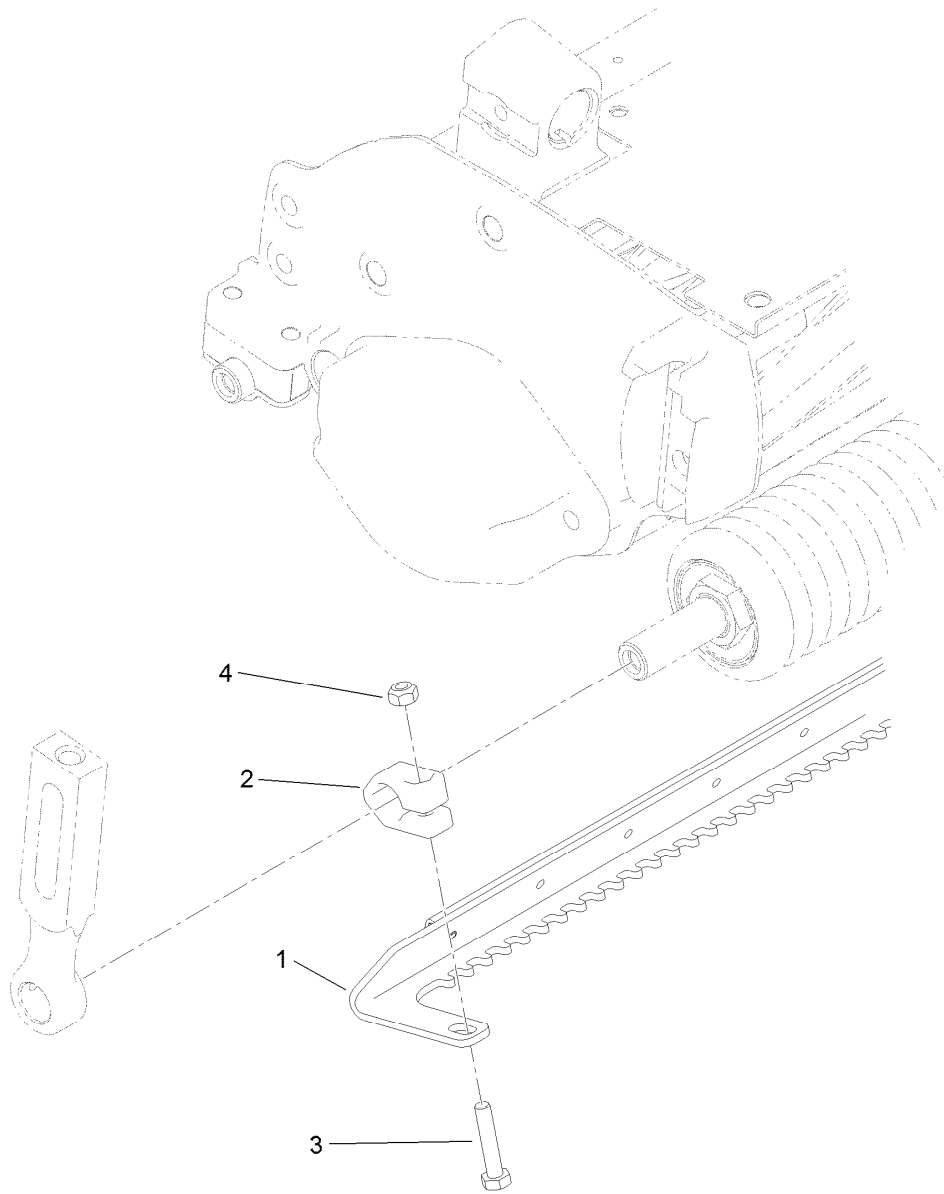
**STD:** standard

**TAP:** self tapping

**TTH:** torx truss head

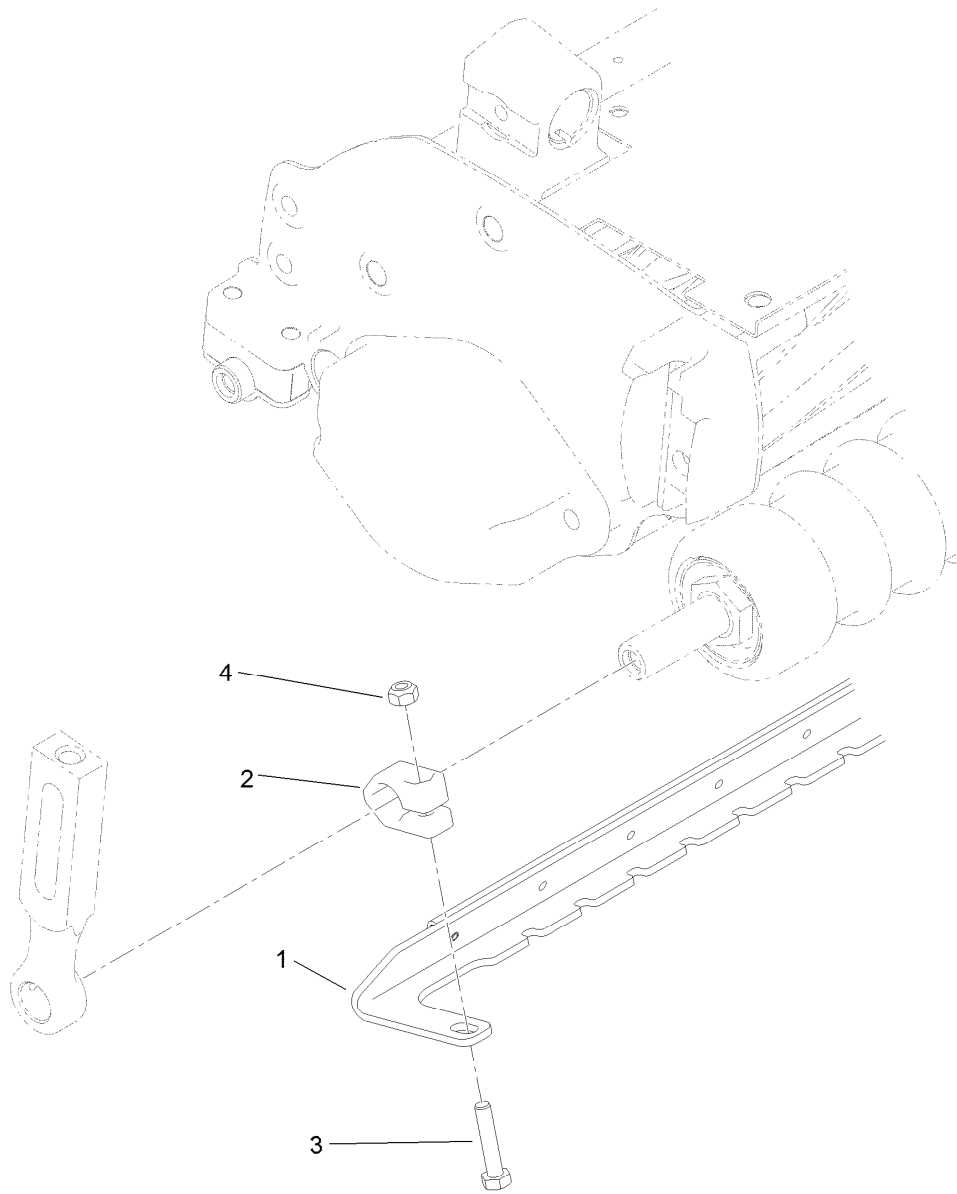
# Contents

18 Inch Narrow Scraper Comb Assembly No. 120-9624 .....	4
18 Inch Wide Scraper Comb Assembly No. 120-9625 .....	5
18 Inch Full Scraper Comb Assembly No. 120-9626 .....	6
21 Inch Narrow Scraper Comb Assembly No. 115-7380 .....	7
21 Inch Wide Scraper Comb Assembly No. 115-7381 .....	8
21 Inch Full Scraper Comb Assembly No. 115-7382 .....	9



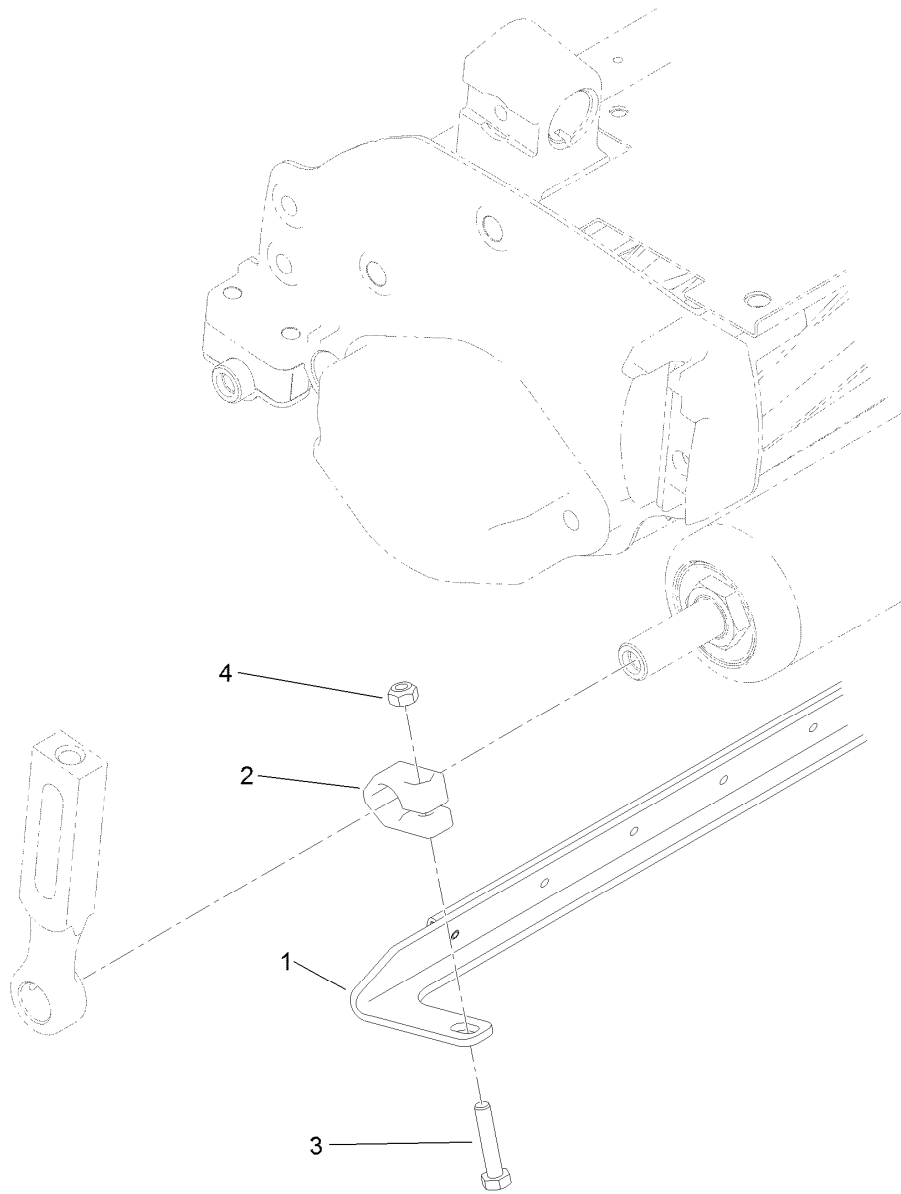
## 18 Inch Narrow Scraper Comb Assembly No. 120-9624

<i>Ref.</i>	<i>Part Number</i>	<i>Qty.</i>	<i>Description</i>
1	110-2375	1	Narrow Scraper Comb ASM (18 Inch)
2	115-7364	2	Block-Clamp, Scraper
3	115-7372	2	Screw-HH
4	115-7373	2	Nut-Lock



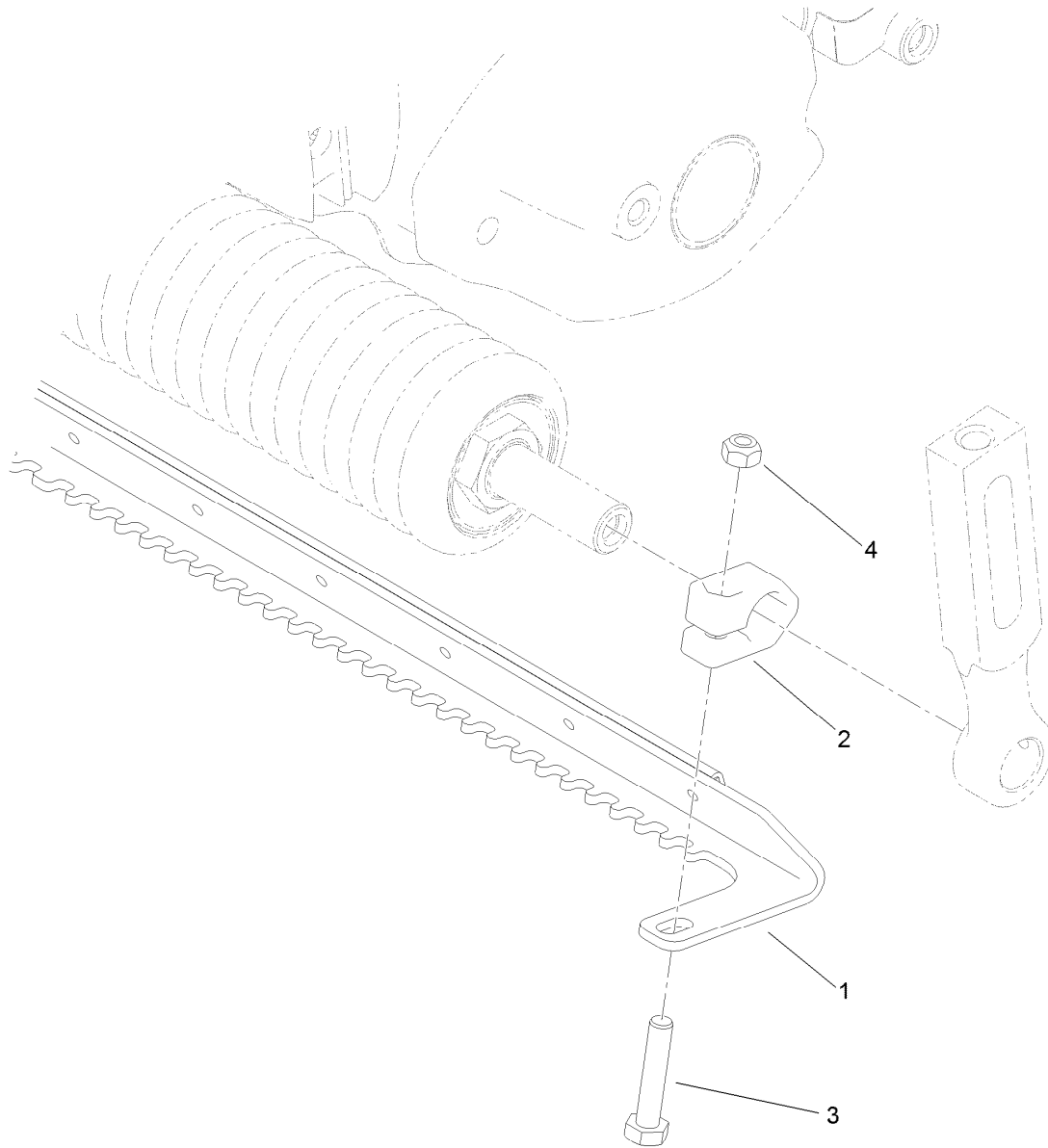
## 18 Inch Wide Scraper Comb Assembly No. 120-9625

<i>Ref.</i>	<i>Part Number</i>	<i>Qty.</i>	<i>Description</i>
1	110-2377	1	Wide Scraper Comb ASM (18 Inch)
2	115-7364	2	Block-Clamp, Scraper
3	115-7372	2	Screw-HH
4	115-7373	2	Nut-Lock



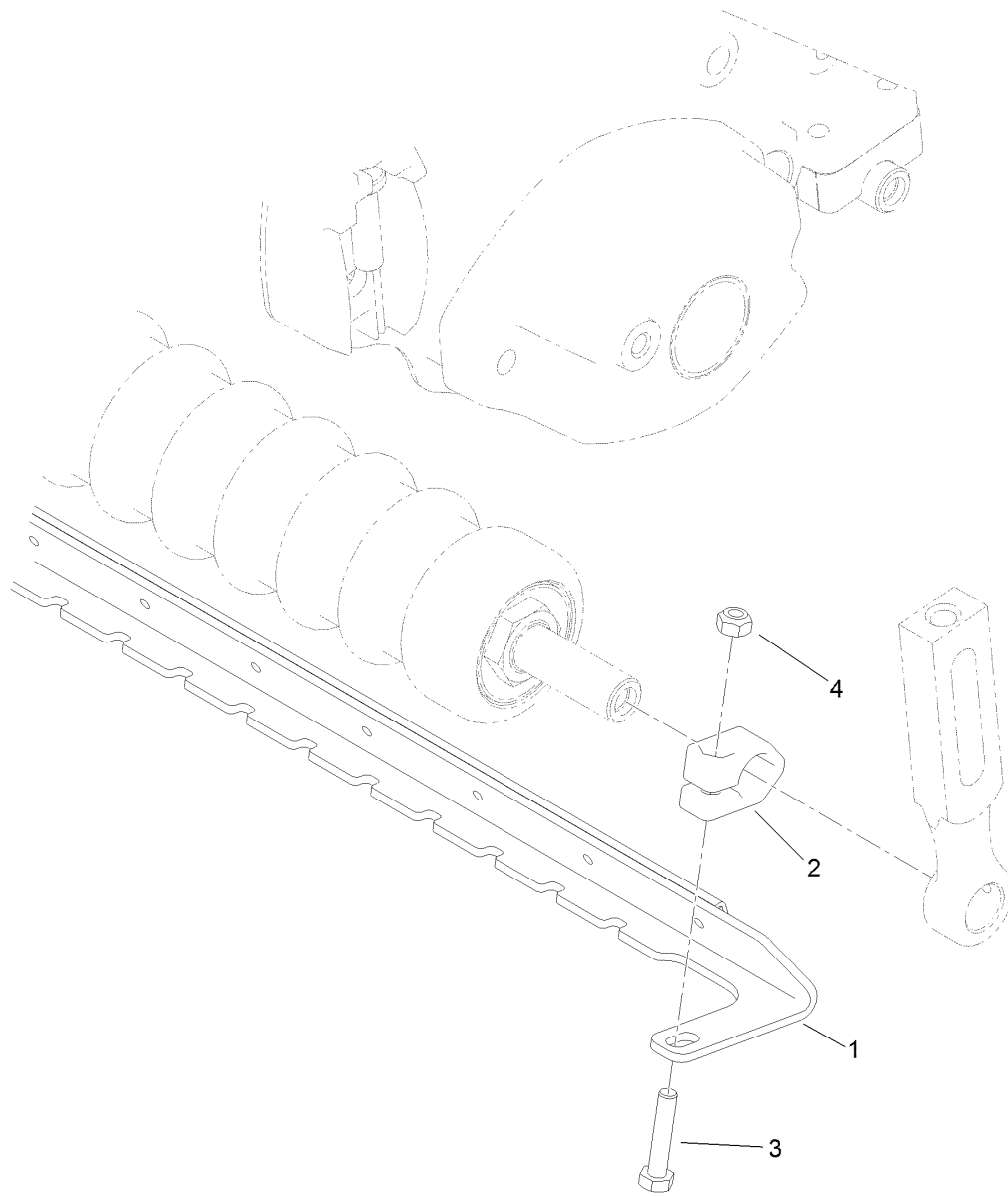
## 18 Inch Full Scraper Comb Assembly No. 120-9626

<i>Ref.</i>	<i>Part Number</i>	<i>Qty.</i>	<i>Description</i>
1	110-2379	1	Full Scraper Comb ASM (18 Inch)
2	115-7364	2	Block-Clamp, Scraper
3	115-7372	2	Screw-HH
4	115-7373	2	Nut-Lock



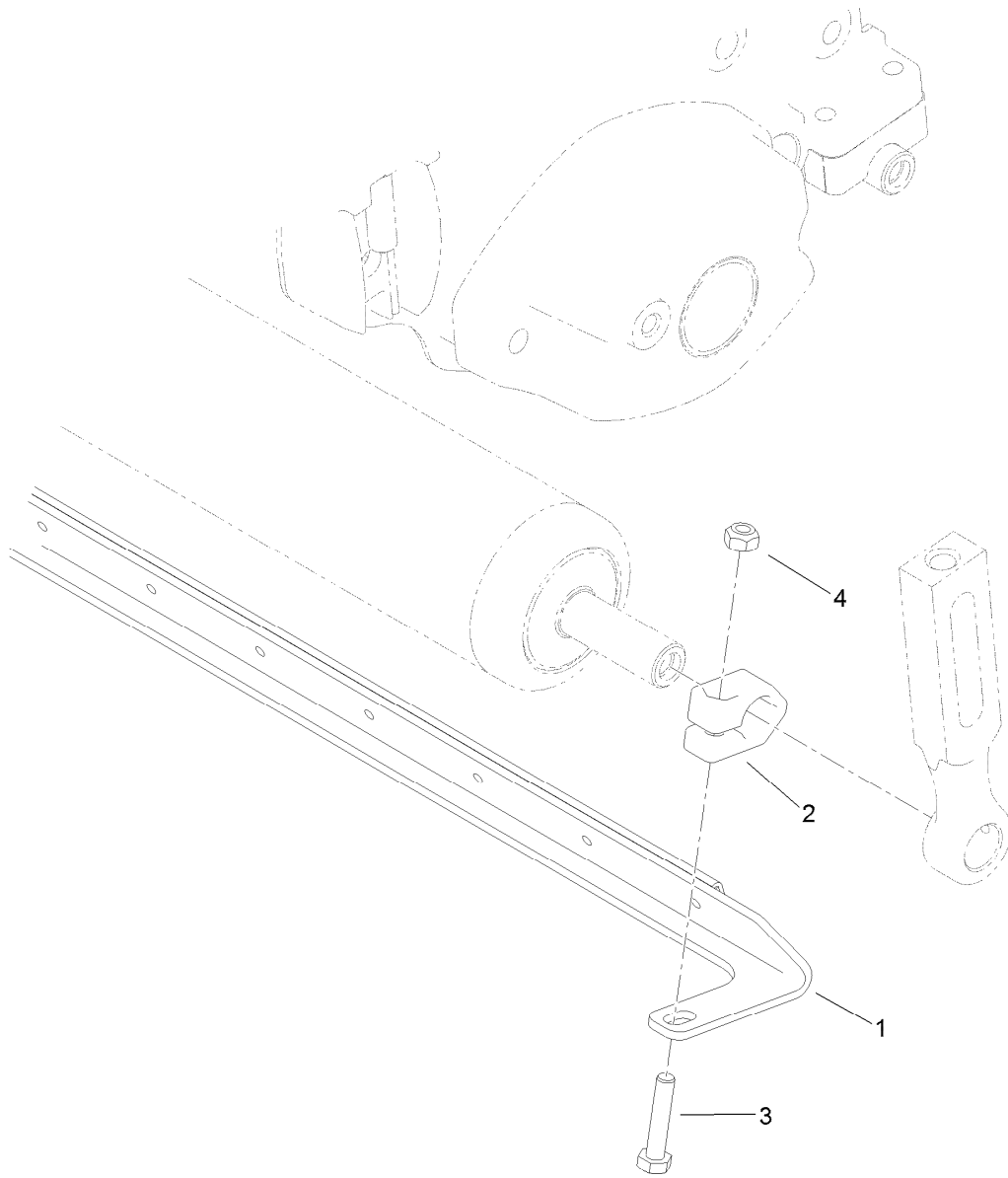
## 21 Inch Narrow Scraper Comb Assembly No. 115-7380

<i>Ref.</i>	<i>Part Number</i>	<i>Qty.</i>	<i>Description</i>
1	110-3987	1	Narrow Scraper Comb ASM (21 Inch)
2	115-7364	2	Block-Clamp, Scraper
3	115-7372	2	Screw-HH
4	115-7373	2	Nut-Lock



## 21 Inch Wide Scraper Comb Assembly No. 115-7381

<i>Ref.</i>	<i>Part Number</i>	<i>Qty.</i>	<i>Description</i>
1	110-3989	1	Wide Scraper Comb ASM (21 Inch)
2	115-7364	2	Block-Clamp, Scraper
3	115-7372	2	Screw-HH
4	115-7373	2	Nut-Lock



## 21 Inch Full Scraper Comb Assembly No. 115-7382

<i>Ref.</i>	<i>Part Number</i>	<i>Qty.</i>	<i>Description</i>
1	110-3991	1	Full Scraper Comb ASM (21 Inch)
2	115-7364	2	Block-Clamp, Scraper
3	115-7372	2	Screw-HH
4	115-7373	2	Nut-Lock

**Notes:**

**Notes:**



**Count on it.**