



# 48 and 54 inch Bagger Finishing Kit

2011 and After TITAN Series Zero-Turn-Radius Riding Mower

Model No. 120-7122

Model No. 120-7123

Installation Instructions



This kit requires the Bagger Kit 79326 to complete installation. For all TITAN Series mowers, begin Finishing Kit installation before installing the bagger kit. Contact your Authorized Service Dealer or Toro Customer Service to obtain the necessary parts. For more information, visit us at [www.Toro.com](http://www.Toro.com).

## Safety

**Important:** The ROPS roll bar is an integral and effective safety device. Keep the roll bar in the

fully raised and locked position when operating the mower. Lower the roll bar temporarily only when absolutely necessary.

## Safety and Instructional Decals



Safety decals and instructions are easily visible to the operator and are located near any area of potential danger. Replace any decal that is damaged or lost.



110-6691

1. Thrown object hazard—keep bystanders a safe distance from the machine.
2. Thrown object hazard, mower—do not operate without the deflector, discharge cover, or grass collection system in place.
3. Cutting/dismemberment of hand or foot—stay away from moving parts.

# Installation

## 1

### Installing the Weight

#### Parts needed for this procedure:

2	Weight
2	Adhesive bumper
1	Rod
4	Washer
2	Hair pin

#### Procedure

1. Install an adhesive bumper to the weight (Figure 1).

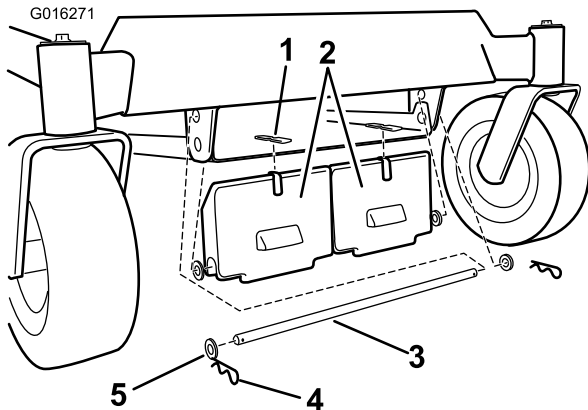


Figure 1

1. Adhesive bumper
2. Front weight
3. Rod
4. Hair pin
5. Washer

**Note:** On Titan MX units, disconnect the front deck pan from the frame to allow installation of the weights. Ensure the pan is installed once the weights are secured.

2. Install the weight to the front of the machine frame. Secure the weight with a rod, four washers, and two hair pins as shown in Figure 1.

**Note:** When installing the front weight allow it to rest on the front lip of the underside of the machine frame as shown Figure 2. This will suspend the weight while you secure it to the machine. Use care not to dislodge the weight when installing the supporting rod.

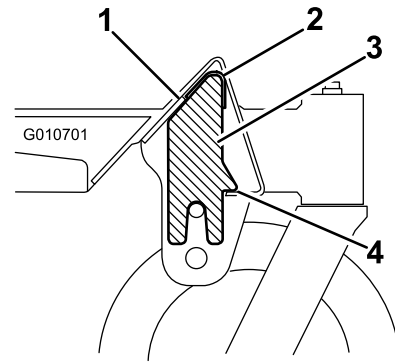


Figure 2

1. Cutaway of the front of the machine frame
2. Bumper
3. Weight
4. Rest the weight here during install

**Important:** Whenever you remove the bagger attachment, remember to remove the front weight to return the proper stability to the machine.

# 2

## Installing the Bagger Frame

### Parts needed for this procedure:

1	Bagger frame (discard frame in bagger kit)
1	Bagger frame support bracket (discard bracket in bagger kit)
2	Self tapping screw (5/16 x 3/4 inch) (included in bagger kit)
4	Hair pin cotter — Included in Bagger Kit 79326
2	Rod — Included in Bagger Kit 79326
4	Washer — Included in Bagger Kit 79326
2	Bolt (5/16 x 2-1/2 inch) — Included in Bagger Kit 79326
2	Lock nut (5/16 inch) — Included in Bagger Kit 79326
1	Clevis pin (1/2 x 2-1/4 inch) — Included in Bagger Kit 79326
1	Spacer plate — Included in Bagger Kit 79326
1	Angled plate — Included in Bagger Kit 79326

### Procedure

1. Locate the bagger frame bracket. Install the bracket to the machine frame as shown in Figure 3. Secure the bracket to the frame using two bolts (5/16 x 2-1/2 inch) and two lock nuts (5/16 inch).

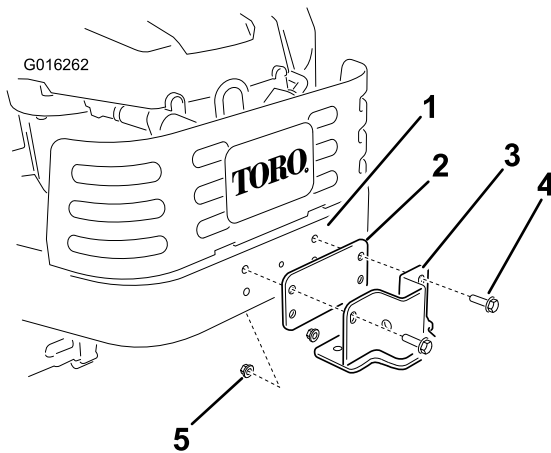


Figure 3

1. Machine frame
2. Support spacer plate
3. Support bracket
4. Bolt (5/16 x 2-1/2 inch)
5. Lock nut (5/16 inch)

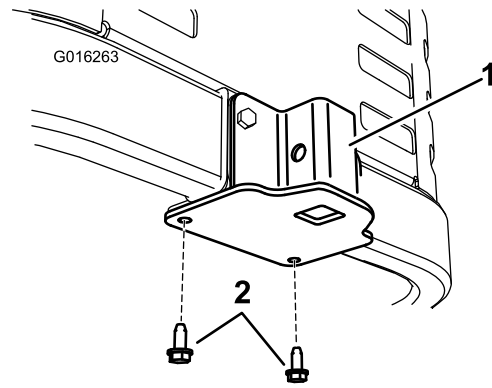


Figure 4

1. Support bracket
2. Self tapping screws (5/16 x 3/4 inch)

3. Remove the existing fasteners securing the rectangular spacer plate from the top of the engine frame and remove the plate.
4. Install the new angle spacer plate as shown in Figure 4 using the fasteners removed previously.
5. Install the bagger frame to the support bracket. Secure the bagger frame with a clevis pin (1/2 x 2-1/4 inch) and hair pin cotter (Figure 5).

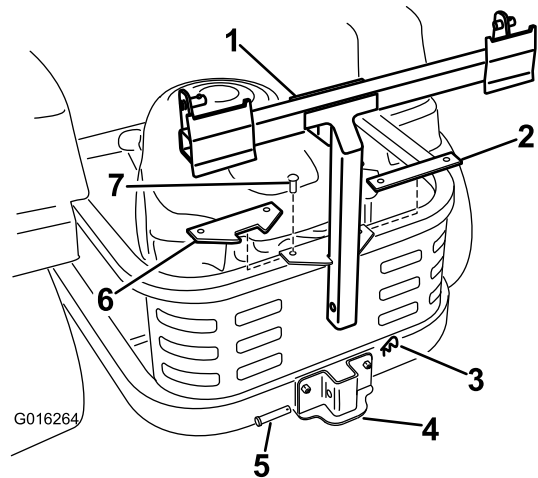
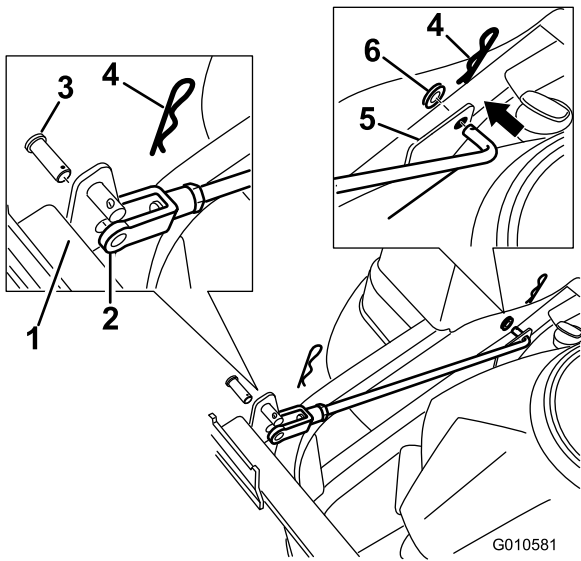


Figure 5

1. Bagger frame
2. Spacer plate, rectangular (existing)
3. Hair pin
4. Support bracket
5. Clevis pin (1/2 x 2-1/4 inch)
6. Spacer plate, angle (new)
7. Fasteners, existing

2. Secure the support bracket to the bottom of the machine frame from below using two self tapping screws (5/16 x 3/4 inch) as shown in Figure 4.

6. Install two support rods, one to each side of the bagger frame. Locate the existing bracket between the rear drive wheel and frame (Figure 6).



**Figure 6**

Left side shown

- |                 |                     |
|-----------------|---------------------|
| 1. Bagger frame | 4. Hair pin         |
| 2. Clevis end   | 5. Bracket on frame |
| 3. Clevis pin   | 6. Washer           |

# 3

## Installing the Chute

### Parts needed for this procedure:

1	Straight baffle (48 inch decks only)
1	Curved baffle (54 in decks only)
1	Lock nut (5/16 inch)
1	Hand knob
1	Washer
1	Chute

### Procedure

Use this procedure when installing the Finishing Kit on machines with both 48 and 54 inch decks.

### **▲ WARNING**

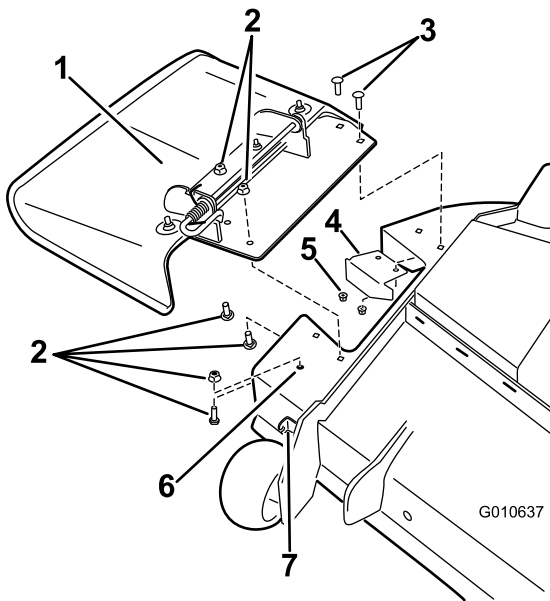
**An uncovered discharge opening could allow the lawn mower to throw objects in the operator or bystander's direction and result in serious injury. Also, contact with the blade could occur.**

**Never operate the lawn mower unless you install a cover plate, a mulch plate, or a grass chute and catcher.**

Never operate the mower with the discharge opening uncovered. A discharge cover, mulch cover or bagging chute must always be used when the mower deck is operated.

1. Remove fasteners securing the deflector assembly and existing cut off baffle to the deck (Figure 7). Retain all fasteners. Remove the fasteners plugging the forward hole.

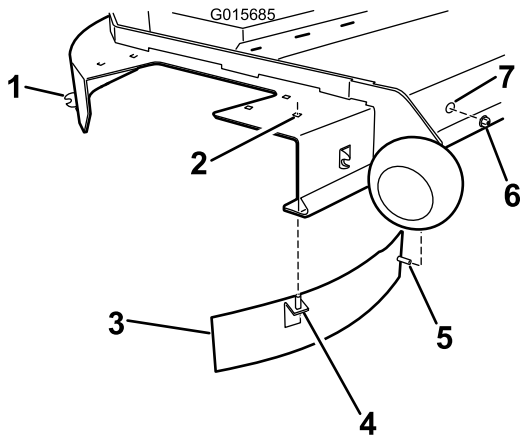
7. Insert the bent end of the rod into the bagger frame as shown in Figure 6. Secure the end of the rod with a washer and hair pin.
8. Adjust the support rods so that bagger frame is held secure to the machine frame and seats in the notch of the angle spacer plate installed previously. Repeat these steps for each support rod:
  - A. Loosen the jam nut at the base of the clevis end of the rod.
  - B. Rotate the clevis to adjust the rod to the desired length.
  - C. Align the holes in the clevis end with the hole in the bagger frame at the attachment point.
  - D. Secure the clevis end to the bagger frame using a clevis pin and hair pin cotter.(Figure 6).
  - E. Tighten the jam nut.
9. With both rods installed and attached, check the bagger frame for play. The bagger frame should be held tight to the machine frame. If necessary, repeat the previous step to secure the bagger frame.
10. **For remaining steps, consult Bagger Kit 79326 Owner's Manual, beginning at Installation step 2.**



**Figure 7**

- |                                 |                          |
|---------------------------------|--------------------------|
| 1. Deflector assembly           | 5. Lock nut (existing)   |
| 2. Fasteners (existing), retain | 6. Forward hole          |
| 3. Carriage bolt (existing)     | 7. Front retaining clasp |
| 4. Cut off baffle (existing)    |                          |

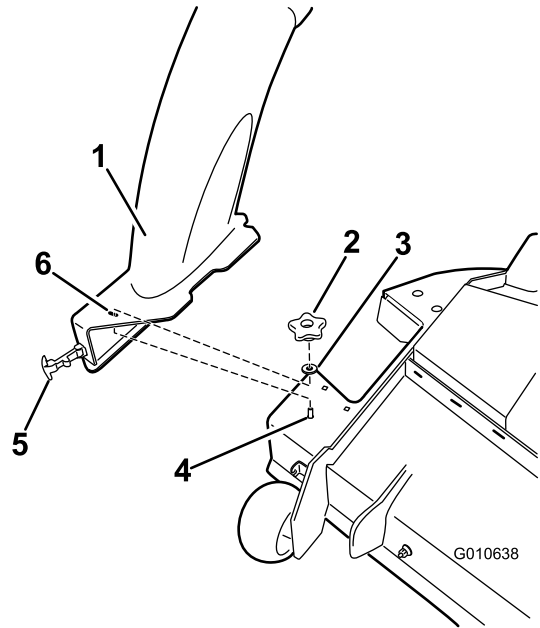
- Remove the deflector assembly and reinstall the cut off baffle. Retain all parts to convert the deck to side discharge.
- Install a baffle to deck (Figure 8). **For 48 inch decks, use a straight baffle. For 54 inch decks, use a curved baffle.** Align the vertical post in the baffle with forward hole in the deck. Rotate the baffle until the horizontal post aligns with the hole in the front wall of the deck. Secure it to the front wall of the deck using a lock nut.



**Figure 8**

- |                    |                    |
|--------------------|--------------------|
| 1. Retaining clasp | 5. Horizontal post |
| 2. Forward hole    | 6. Lock nut        |
| 3. Baffle          | 7. Front wall hole |
| 4. Vertical post   |                    |

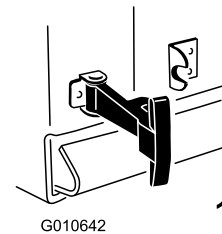
- Install the chute to the deck making sure the opening in top of the chute aligns with the exposed post on the deck top (Figure 9).



**Figure 9**

- |                    |  |
|--------------------|--|
| 1. Discharge chute | 4. Post in curved baffle, forward hole |
| 2. Hand knob       | 5. Front flexible latch                |
| 3. Washer          | 6. Opening in the top of the chute     |

- Install a washer and hand knob over the post coming through the chute top. Hand tighten to secure the chute to the deck.
- Hook the front flexible latch on the chute to the retaining clasp welded to the front wall of the deck (Figure 10). Hook the flexible latch on the back of the chute to the retaining clasp welded to the rear wall of the deck.



**Figure 10**

- Flexible latch and retaining clasp

# 4

## Installing the Bagger Top

### Parts needed for this procedure:

1	Circular cotter pin
---	---------------------

### Procedure

1. Install the bagger top to the bagger frame. Slide the brackets over the posts in the bagger frame and install the circular cotter into the hole in the right hand post (Figure 11). Rotate the bagger top down to the operating position. The bagger top is easier to install if two people work together.

**Note:** To remove the circular cotter, continue to rotate it in the same direction as installed.

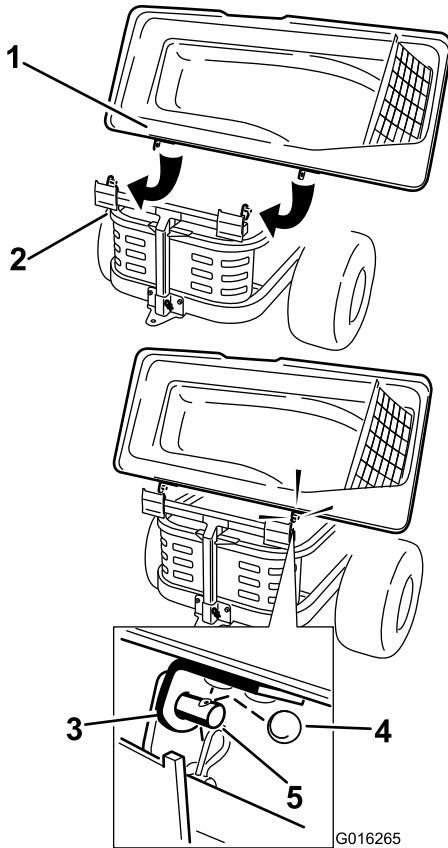


Figure 11

1. Bagger top
2. Bagger frame
3. Bracket, bagger top
4. Circular cotter pin
5. Post

2. Lift the bagger top and install the bags by sliding the bag frame hooks onto the retaining brackets (Figure 12).

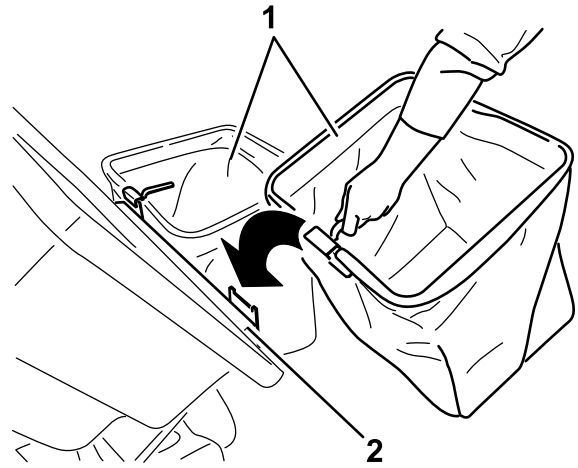


Figure 12

1. Bag
2. Bagger frame
3. Retaining bracket
4. Bag frame hook

3. Lower the bagger top onto the bag (Figure 13).

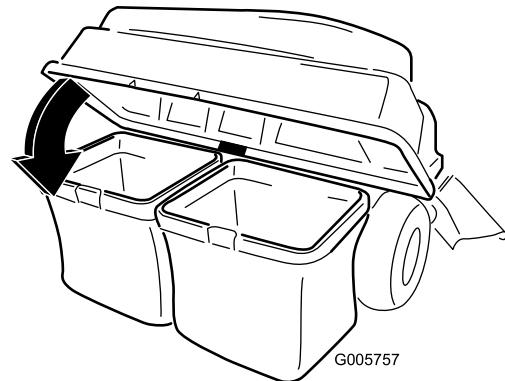


Figure 13

# 5

## Connecting with the Discharge Tube

### No Parts Required

### Procedure

1. Slide the curved end of the discharge tube into the opening in the bagger top (Figure 14).

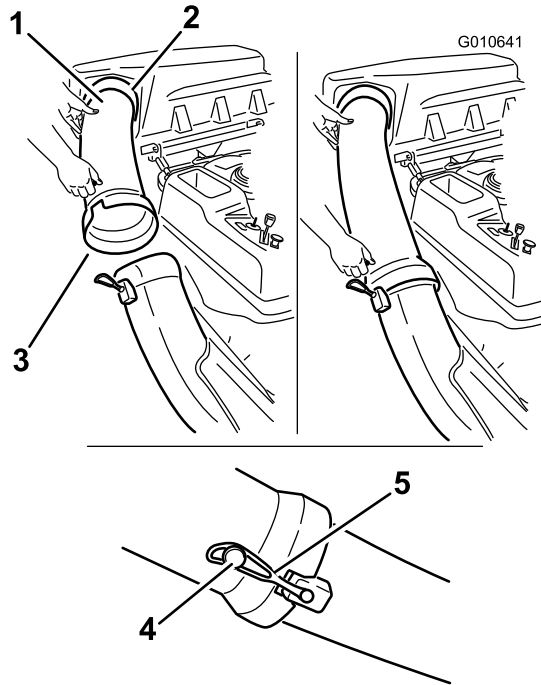


Figure 14

1. Discharge tube, curved end
2. Opening in bagger top
3. Discharge tube, flared end
4. Peg
5. Rubber strap

2. Slide the flared end of the discharge tube over the end of the chute. Move the rubber retaining strap on the chute snaps over the peg on the discharge tube to secure it (Figure 14).

# 6

## Installing the Blades

### Parts needed for this procedure:

3	Hi-Lift blade
---	---------------

### Procedure

1. Remove the existing mower blades installed on your deck. Refer to the Removing the Blades section in the *Operator's Manual* for more information.
2. Install the Hi-Lift mower blades located in loose parts. Refer to the Installing the Blades section in the *Operator's Manual* for more information.

# Maintenance

## Removing the Finishing Kit

Whenever the bagger kit is removed, the finishing kit should be removed using the following procedure. Retain all parts for future installation.

### ⚠ CAUTION

Removing the bagger changes the weight distribution of the machine. Operating the machine with the front weights installed without the bagger may cause an unstable condition which could result in a loss of control.

Ensure the front weights are properly removed before operating the machine without the bagger attachment.

1. Remove the front weights. Remove the fastener securing the weight to the machine. Take care to control the weight as the support rod is removed.
2. Remove the discharge tube from the machine install and the discharge cover(Figure 15).

### ⚠ WARNING

An uncovered discharge opening could allow the lawn mower to throw objects in the operator or bystander's direction and result in serious injury. Also, contact with the blade could occur.

Never operate the lawn mower unless you install a cover plate, a mulch plate, or a grass chute and catcher.

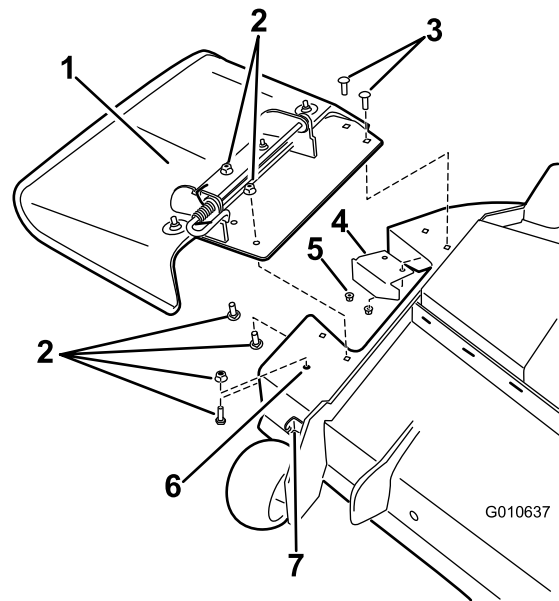


Figure 15

- |                                    |                               |
|------------------------------------|-------------------------------|
| 1. Deflector assembly              | 5. Lock nut (existing), reuse |
| 2. Fasteners (existing), retain    | 6. Forward hole               |
| 3. Carriage bolt (existing), reuse | 7. Front retaining clasp      |
| 4. Cut off baffle (existing)       |                               |

3. Replace the mower blades.
  - Remove the Hi-Lift mower blades installed on your deck. Refer to the Removing the Blades section in the *Operator's Manual* for more information.
  - Install the standard mower blades removed previously. Refer to the Installing the Blades section in the *Operator's Manual* for more information.

**Important:** The ROPS roll bar is an integral and effective safety device. Keep the roll bar in the fully raised and locked position when operating the mower. Lower the roll bar temporarily only when absolutely necessary.