



Count on it.

Parts Catalog

**Z500 Z Master[®], With 52in TURBO
FORCE[®] Side Discharge Mower**

Model No. 74295—Serial No. 311000001 and Up

Ordering Replacement Parts

To order replacement parts, please supply the part number, the quantity, and the description of each part desired.

Understanding Reference Numbers

Each identified part in an illustration has a reference number. The reference number for a part also appears in the parts list, along with other information about the part.

This catalog uses two special reference number formats, one to indicate parts in a service assembly and another to indicate the quantity of a given part in an illustration.

Service Assembly Reference Numbers

Parts in service assemblies have reference numbers in the form a:b. The a represents the reference number of the entire service assembly and the b represents a sequential number unique to each part within the service assembly.

For example, a wheel assembly might be identified by reference number 6, the tire by 6:1, the valve by 6:2, and the wheel by 6:3. When you order the assembly identified by reference number 6, you receive all parts identified by reference numbers 6:1, 6:2, and 6:3. However, you may also order any part individually. Reference numbers of this type appear in illustration and in parts lists.

Reference Numbers Indicating Quantity

In an illustration, if a reference number indicates more than one part, the reference number has the form nX y. The n represents the quantity of the part, the X is the multiplication symbol, and the y represents the reference number.

For example, in an illustration, the reference number 2X 37 means that two of the parts identified by reference number 37 are indicated.

List of Abbreviations

AR: as required

ASM: assembly

BBC: blade brake control

BHTF: button head thread forming

CARR: carriage

CCW: counter clockwise

CW: clockwise

DEG: degrees

DPA: Dual Point Adjustment

ECM: electronic control module

EXT: external

FH: flat head

GA: gauge

HD: heavy-duty

HF: hex flange

HH: hex head

HHF: hex head flange

HHFTF: hex head flange thread forming

HJ: hex jam

HLH: hex lag head

HOC: height-of-cut

HSBH: hex socket button head

HSFH: hex socket flat head

HSH: hex socket head

HWH: hex washer head

HWTF: hex washer head thread forming

HYD: hydraulic

LH: left hand

LP: Liquid Propane

NI: nylon insert

NPTF: national pipe thread fine

PFH: phillips flat head

PPH: phillips pan head

PPHTF: phillips pan head thread forming

PRH: phillips round head

PTH: phillips truss head

PTO: power-take-off

RH: right hand

ROPS: roll-over protection system

RRB: rear roller brush

SFH: slotted fillister head

SHH: slotted hex head

SHWH: slotted hex washer head

SPH: slotted pan head

SQH: square head

SRH: slotted round head

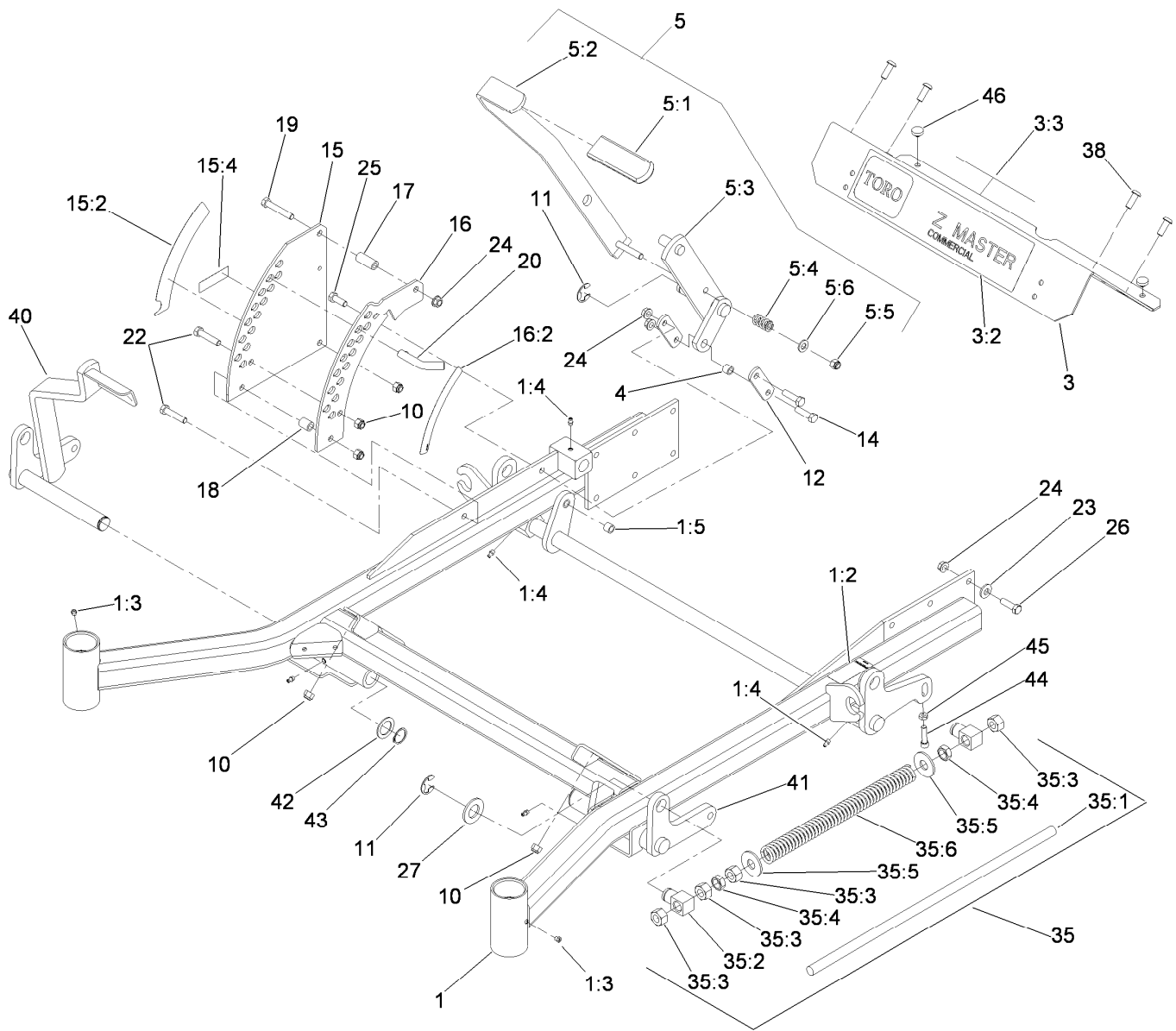
STD: standard

TAP: self tapping

TTH: torx truss head

Contents

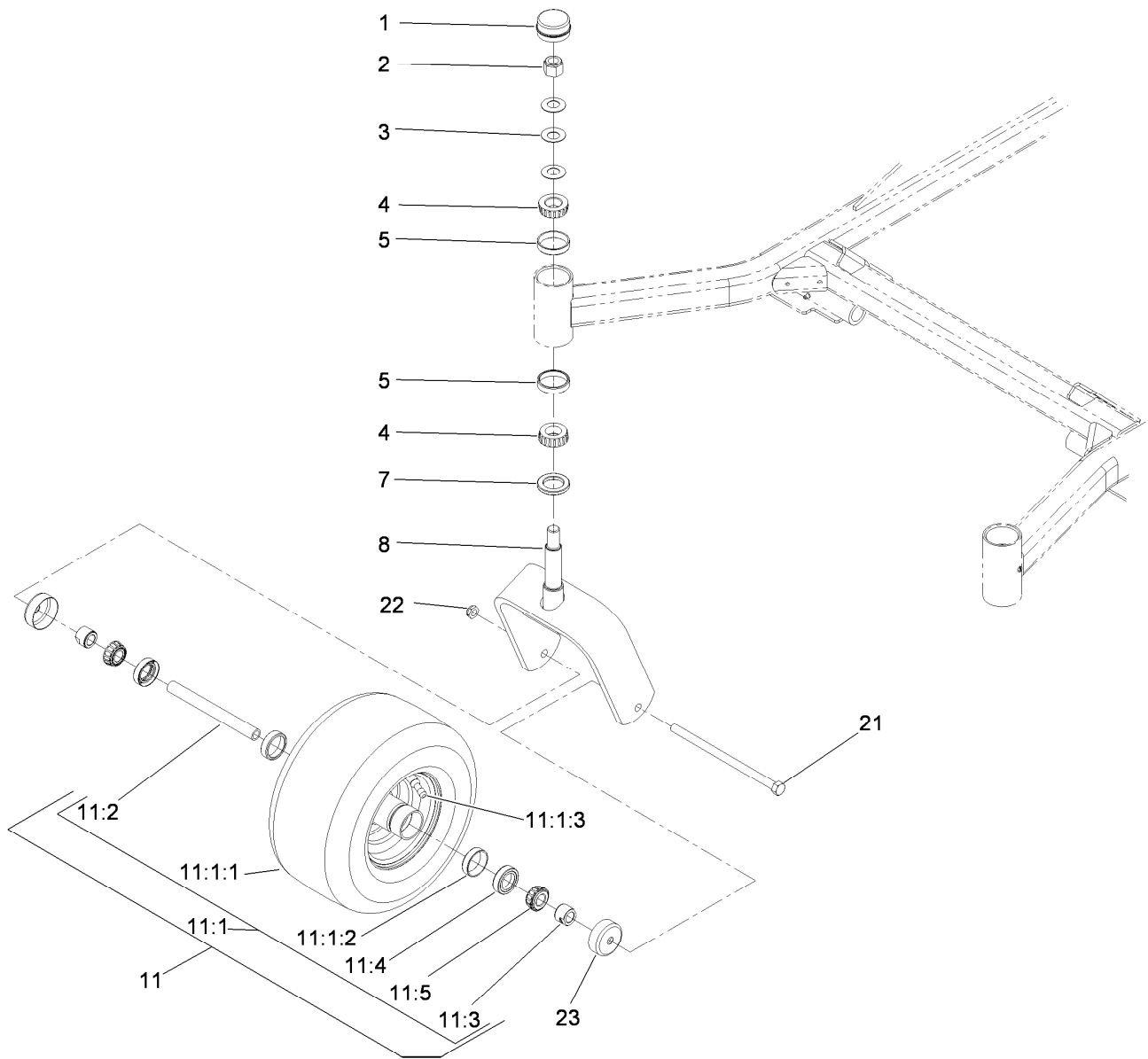
Front Frame Assembly	4
Fork and Caster Wheel Assembly	6
Main Frame and Rear Wheel Assembly	7
Brake and Wheel Hub Assembly	8
Motion Control Assembly	9
LH Motion Control Assembly No. 109-3906	10
RH Motion Control Assembly No. 109-3907	11
Hydraulic Assembly	12
Hydraulic Wheel Motor No. 1-523328	14
Pump Idler Assembly No. 103-5679	15
Seat and Roll-Over Protection System Assembly	16
Seat Assembly No. 116-0035	17
Roll-Over Protection System Assembly No. 117-3879	18
Deck Connection Assembly	19
Deck Assembly	20
Spindle Assembly No. 119-8560	22
Deck Decal Assembly No.119-4205	23
Rubber Deflector Assembly No. 108-7770	24
Idler Assembly	25
Engine and Clutch Assembly	26
Muffler and Guard Assembly	27
Fuel System Assembly	28
Electrical Assembly	29
Attachments and Accessories	30



Front Frame Assembly

Ref.	Part Number	Qty.	Description	Ref.	Part Number	Qty.	Description
1	106-8978	1	Frame ASM	14	323-29	2	Screw-HH
1:2	107-1857	1	Decal-Brake, Parking	15	117-0366	1	Plate-HOC, Outer
1:3	1-811010	2	Plug	15:2	107-1860	1	Decal-Height, Deck
1:4	302-19	5	Fitting-Grease	15:4	117-2718	1	Decal-Arrester, Spark
1:5	103-1918	1	Bushing	16	117-0369	1	Plate-HOC, Inner
3	106-9981	1	Footrest	16:2	107-1861	1	Decal-Height, Deck
3:2	106-7451	1	Decal	17	1-633082	1	Bushing-Lever, Lift
3:3	107-2112	1	Decal-Warning	18	1-633080	1	Bushing-Lever, Lift
4	103-1918	1	Bushing	19	323-11	1	Screw-HH
5	110-5860	1	Deck Lift Handle ASM	20	109-8757	1	Pin-HOC
5:1	1-633295	1	Grip-Lever, Lift	22	323-9	2	Screw-HH
5:2	103-2083	1	Lever-Lift	23	98-5975	12	Washer-Belleville
5:3	103-2064	1	Arm-Lift, Deck	24	3290-357	15	Nut-HHF, Whiz
5:4	1-633325	1	Spring-Compression	25	323-6	1	Screw-HH
5:5	3296-39	1	Nut-Lock, NI	26	323-7	12	Screw-HH
5:6	3256-24	1	Washer-Flat	27	3256-29	4	Washer-Flat
10	3296-39	7	Nut-Lock, NI	35		2	Front Frame Spring ASM ●
11	32151-103	5	Ring-Retaining, EXT	35:1	1-633096	1	Rod-Lift, Deck
12	1-633068	2	Arm-Lift, Deck	35:2	1-633441	2	Swivel-Deck Mount, Rear

● Not serviced separately

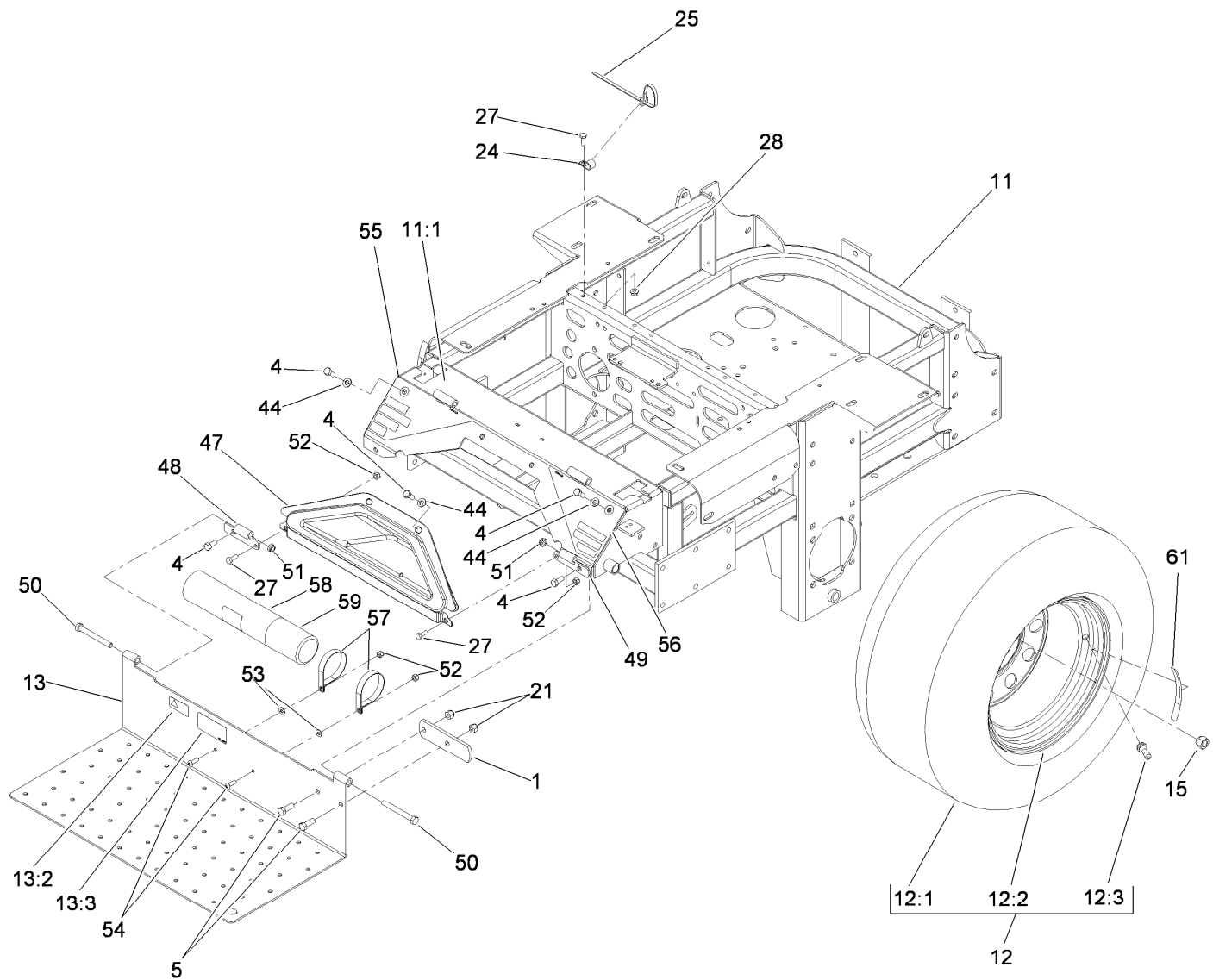


Fork and Caster Wheel Assembly

Ref.	Part Number	Qty.	Description
1	103-4882	2	Cap-Grease
2	3296-51	2	Nut-Lock, NI
3	1-633508	6	Washer-Bellville
4	254-94	4	Bearing-Cone, Tapered
5	254-72	4	Bearing-Cup, Tapered
7	1-543511	2	Seal-Grease
8	1-642111-01	2	Caster
11	103-5185	2	Wheel ASM
11:1		1	Wheel And Tire ASM ●
11:1:1	1-523009	1	Tire

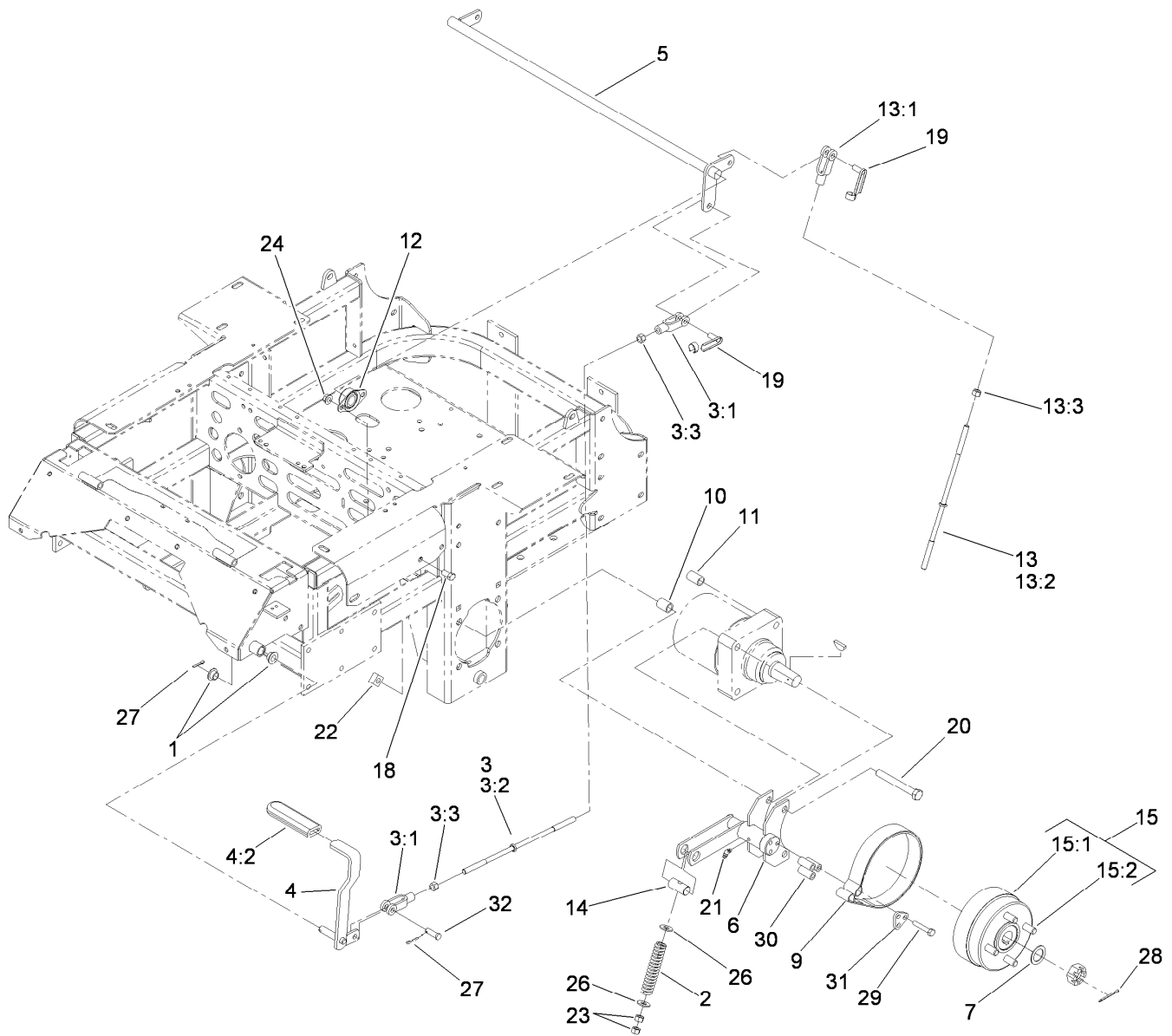
Ref.	Part Number	Qty.	Description
11:1:2	1-633584	2	Bearing-Cup
11:1:3	5108	1	Valve
11:2	103-5156	1	Axle-Caster
11:3	103-3051	2	Spacer-Nut
11:4	103-0063	2	Seal-Caster
11:5	1-633585	2	Bearing-Cone, Taper
21	325-24	2	Screw-HH
22	3296-45	2	Nut-Lock, NI
23	103-2768	4	Guard-Seal

● Not serviced separately



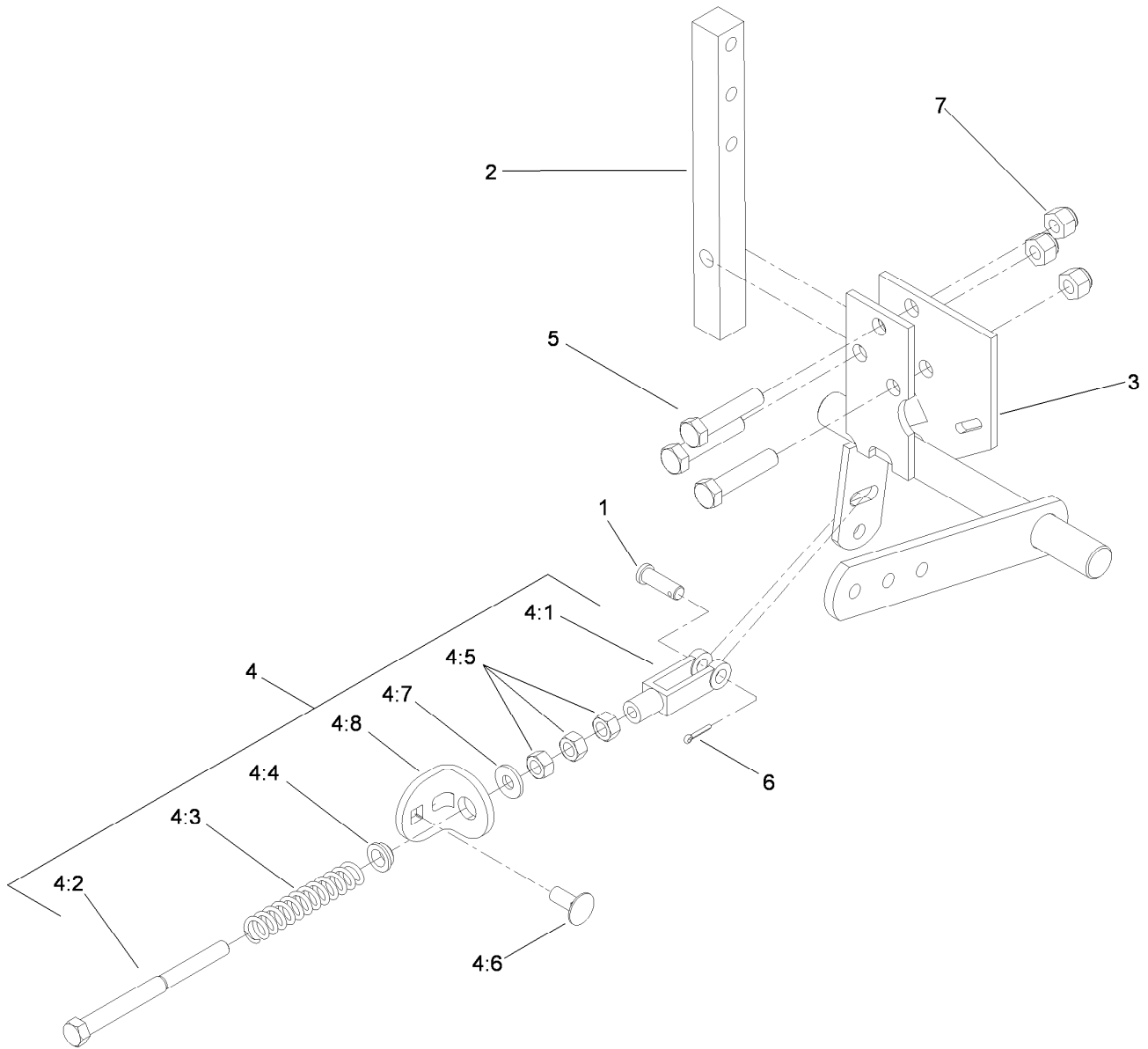
Main Frame and Rear Wheel Assembly

Ref.	Part Number	Qty.	Description	Ref.	Part Number	Qty.	Description
1	1-633964-03	1	Stop-Brake, Park	28	32128-33	1	Nut-HF
4	322-43	6	Screw-HH	44	3256-70	6	Washer-Flat
5	323-6	2	Screw-HH	47	106-7498	1	Pocket
11	114-1509	1	Frame ASM	48	106-7488-03	1	Hinge-Floorpan, LH
11:1	107-8076	1	Decal-Console, Top	49	106-7489-03	1	Hinge-Floorpan, RH
12	1-653010	2	Wheel And Tire ASM	50	323-20	2	Screw-HH
12:1	1-653160	1	Tire	51	3296-59	2	Nut-Lock, NI
12:2	1-653158	1	Wheel	52	3296-42	4	Nut-Lock, NI
12:3	232-27	1	Stem-Valve	53	3256-63	2	Washer-Flat
13	107-1858	1	Floorpan	54	3258-166	2	Screw-PRH
13:2	98-4387	1	Decal-Protection, Ear	55	106-9989	1	Decal-Warning
13:3	107-1864	1	Decal-Location, Manual	56	106-7492	1	Decal-Danger
15	242-50	8	Nut-Lug	57	107-1865	2	R-Clamp
21	3296-39	2	Nut-Lock, NI	58	104-7050	1	Tube-Manual
24	1-513762	1	Clip-Loom	59	104-7048	1	Cap-Housing
25	1-303335	2	Tie-Plastic	61	109-7949	2	Decal
27	321-4	3	Screw-HH				



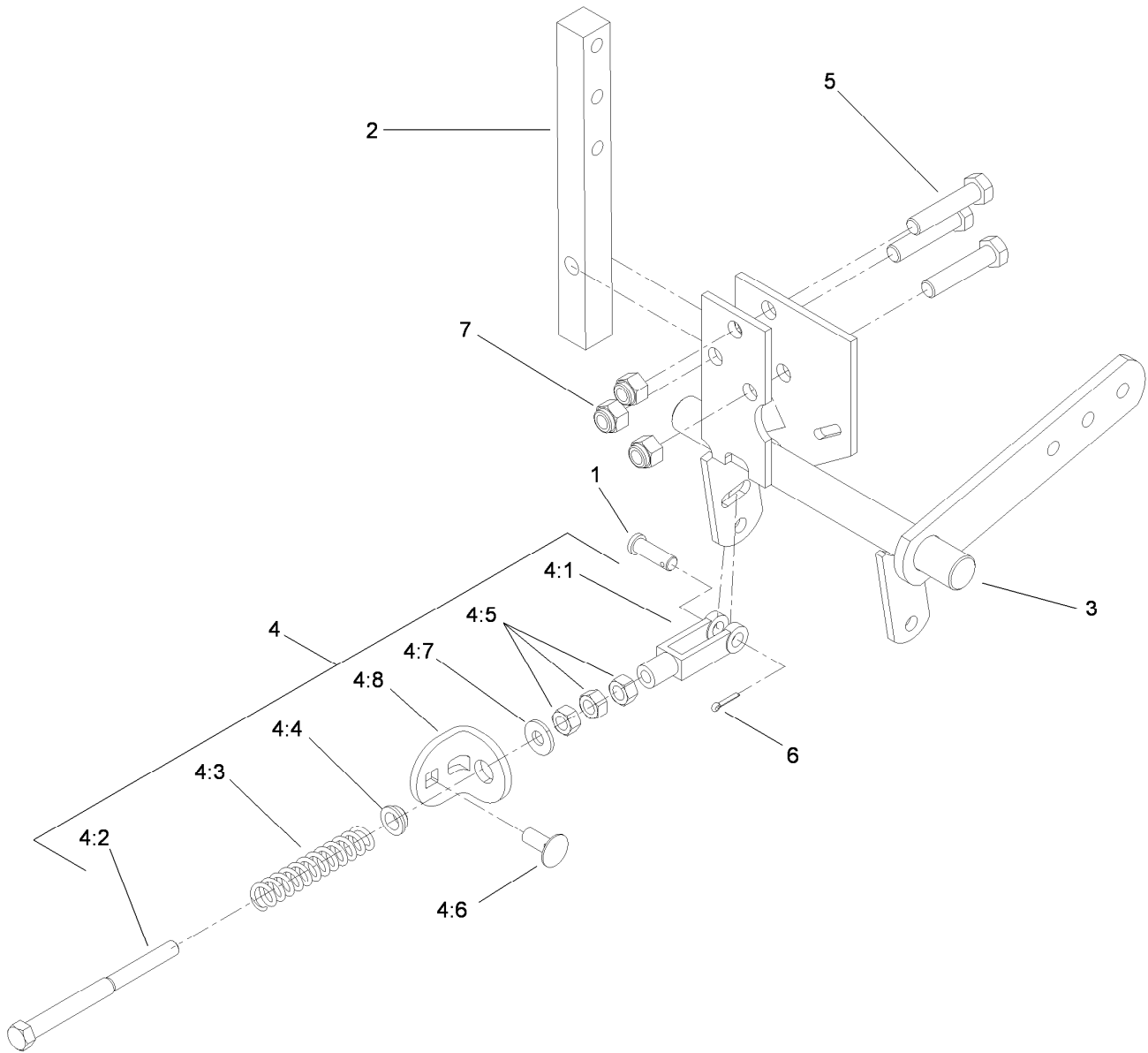
Brake and Wheel Hub Assembly

Ref.	Part Number	Qty.	Description	Ref.	Part Number	Qty.	Description
1	1-513140	2	Bearing-Control	14	1-633144	2	Pin-Trunion
2	1-633454	2	Spring-Brake	15	103-0590	2	Hub And Wheel ASM
3	103-4332	1	Brake Rod And Yoke ASM	15:1	103-0589	1	Wheel Hub ASM
3:1	1-633131	2	Yoke-Linkage, Brake	15:2	1-633926	4	Stud-Wheel
3:2	1-633477	1	Rod-Brake	18	323-4	4	Screw-HH
3:3	3219-3	2	Nut-Hex	19	103-2399	3	Pin-Spring, Clevis
4	1-634500	1	Brake Lever ASM	20	325-17	8	Screw-HH
4:2	1-633268	1	Grip-Lever	21	1481	2	Fitting-Grease
5	1-632217-03	1	Shaft-Brake	22	109-5618	8	Nut-Square, Special
6	103-0352-03	2	Bracket-Brake	23	3219-3	4	Nut-Hex
7	1-523157	2	Washer-Spacer	24	3290-357	4	Nut-HHF, Whiz
9	103-0355	2	Band-Brake	26	3256-4	4	Washer-Flat
10	1-633380	4	Spacer-Wheel, Short	27	3272-10	2	Pin-Cotter
11	1-633382	4	Spacer-Wheel, Long	28	1-806800	2	Pin-Cotter
12	1-633102	2	Bearing-Flange, Side	29	322-9	6	Screw-HH
13	103-4333	2	Brake Rod And Yoke ASM	30	103-0384	6	Spacer
13:1	1-633131	1	Yoke-Linkage, Brake	31	103-0374	2	Retainer-Band, Brake
13:2	1-633477	1	Rod-Brake	32	1-808285	1	Pin-Clevis
13:3	3219-3	1	Nut-Hex				



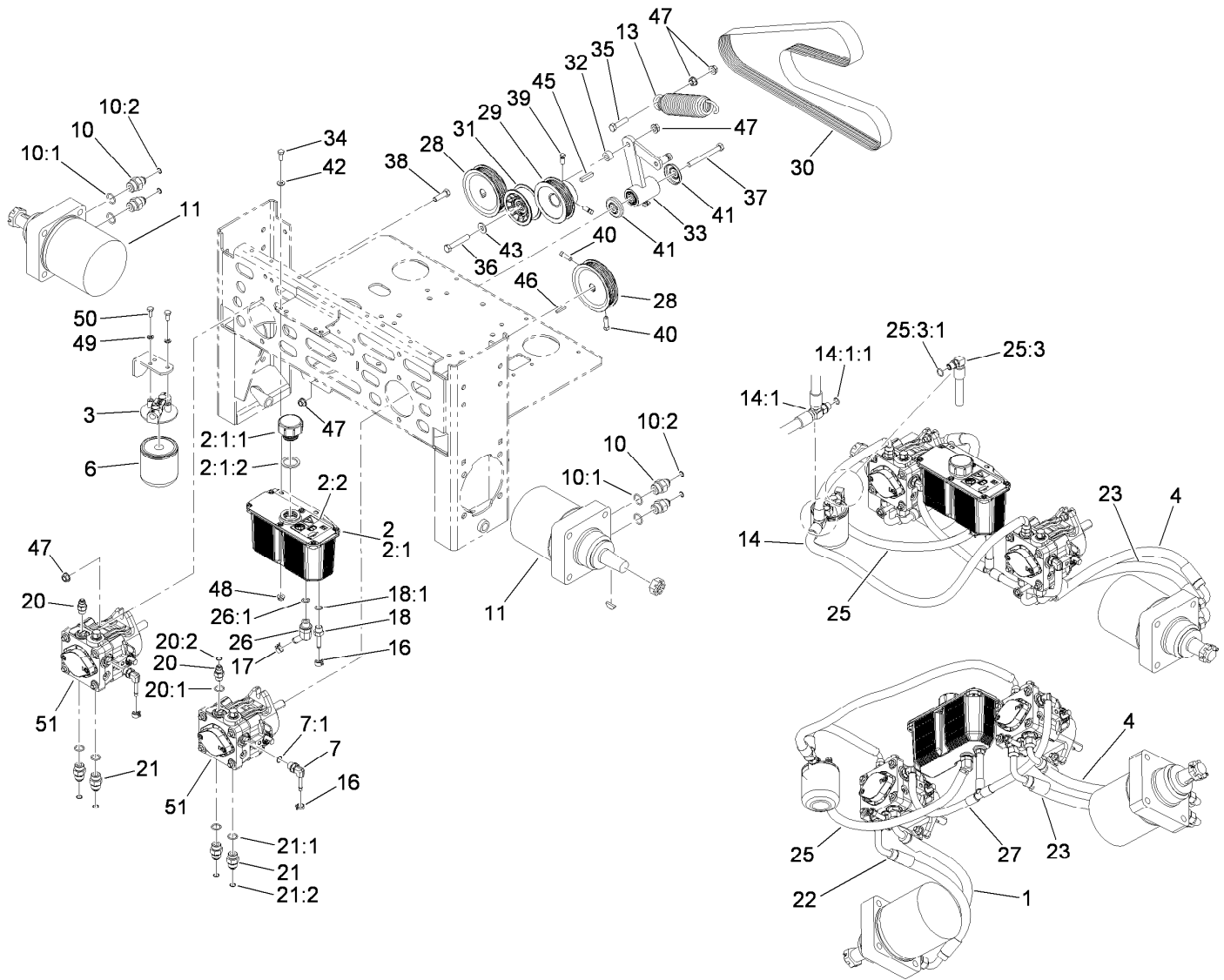
LH Motion Control Assembly No. 109-3906

Ref.	Part Number	Qty.	Description
1	1-808280	1	Pin-Clevis
2	103-0407	1	Arm-Shaft, Control
3	109-3902	1	Control-Motion, LH
4	109-3903	1	Neutral Return ASM
4:1	1-303105	1	Yoke-Adjustable
4:2	1-603737	1	Bolt-Return, Neutral
4:3	1-603807	1	Spring-Return, Neutral
4:4	109-3769	1	Bushing-Nylon, Flanged
4:5	3219-2	3	Nut-Hex
4:6	3230-23	1	Screw-CARR
4:7	3256-2	1	Washer-Flat
4:8	109-3908	1	Tab-Adjustment
5	323-9	3	Screw-HH
6	3272-5	1	Pin-Cotter
7	3296-39	3	Nut-Lock, NI



RH Motion Control Assembly No. 109-3907

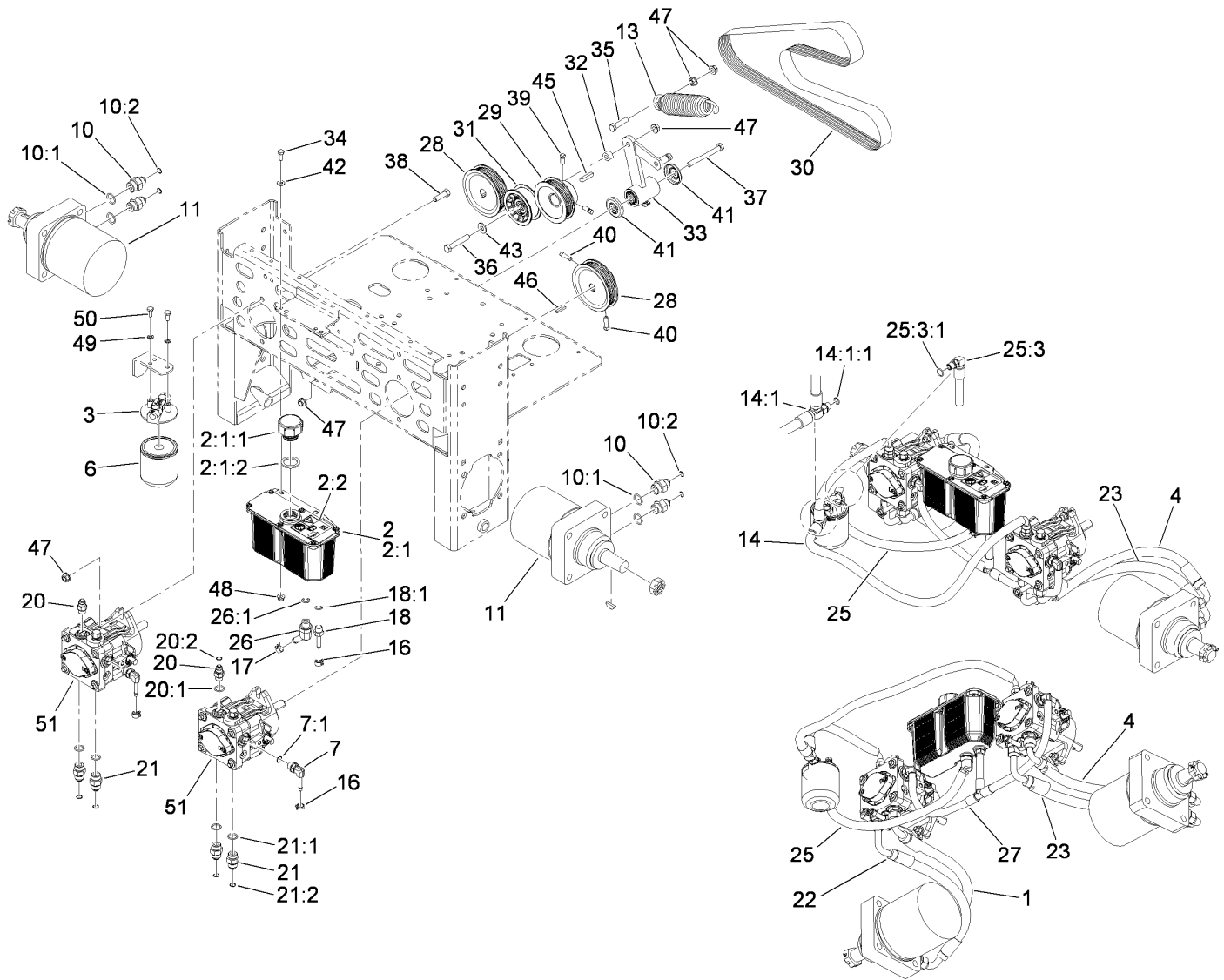
<i>Ref.</i>	<i>Part Number</i>	<i>Qty.</i>	<i>Description</i>
1	1-808280	1	Pin-Clevis
2	103-0407	1	Arm-Shaft, Control
3	109-3901	1	Control-Motion, RH
4	109-3903	1	Neutral Return ASM
4:1	1-303105	1	Yoke-Adjustable
4:2	1-603737	1	Bolt-Return, Neutral
4:3	1-603807	1	Spring-Return, Neutral
4:4	109-3769	1	Bushing-Nylon, Flanged
4:5	3219-2	3	Nut-Hex
4:6	3230-23	1	Screw-CARR
4:7	3256-2	1	Washer-Flat
4:8	109-3908	1	Tab-Adjustment
5	323-9	3	Screw-HH
6	3272-5	1	Pin-Cotter
7	3296-39	3	Nut-Lock, NI



Hydraulic Assembly

Ref.	Part Number	Qty.	Description	Ref.	Part Number	Qty.	Description
1	103-3736	1	HYD Hose ASM	14:1:1	237-42	1	O-Ring
2	107-8433	1	HYD Reservoir ASM	16	103-1716	3	Clamp-Hose
2:1		1	Reservoir-HYD ●	17	103-1988	1	Clamp-Hose
2:1:1	103-1948	1	Cap-Reservoir, HYD	18	103-1801	1	Adapter-Straight
2:1:2	103-1949	1	Gasket-Cap	18:1	237-42	1	O-Ring
2:2	115-4212	1	Decal-Warning	20	103-2156	2	Fitting-Straight
3	104-7836	1	Head-Filter	20:1	1-603921	1	O-Ring
4	103-3733	1	HYD Hose ASM	20:2	103-1020	1	O-Ring
6	1-633750	1	Filter-Oil, HYD	21	1-603990	4	Fitting-Straight
6	1-633752	1	Filter-HYD, Winter	21:1	1-603920	1	O-Ring
7	103-1799	2	Elbow-90 DEG	21:2	1-603992	1	O-Ring
7:1	237-42	1	O-Ring	22	103-3737	1	HYD Hose ASM
10	1-603991	4	Fitting-Straight	23	103-3735	1	HYD Hose ASM
10:1	237-80	1	O-Ring	25	109-7689	1	HYD Hose ASM
10:2	1-603992	1	O-Ring	25:3		1	Fitting-Barbed, 90 DEG ●
11	1-523328	2	Motor-Wheel	25:3:1	237-42	1	O-Ring
13	116-0133	1	Extension-Spring	26	103-1807	1	Fitting-Barbed, 45 DEG
14	109-6273	1	HYD Hose ASM	26:1	237-42	1	O-Ring
14:1		1	Adapter-Run, Tee ●	27	103-1806	1	HYD Hose ASM

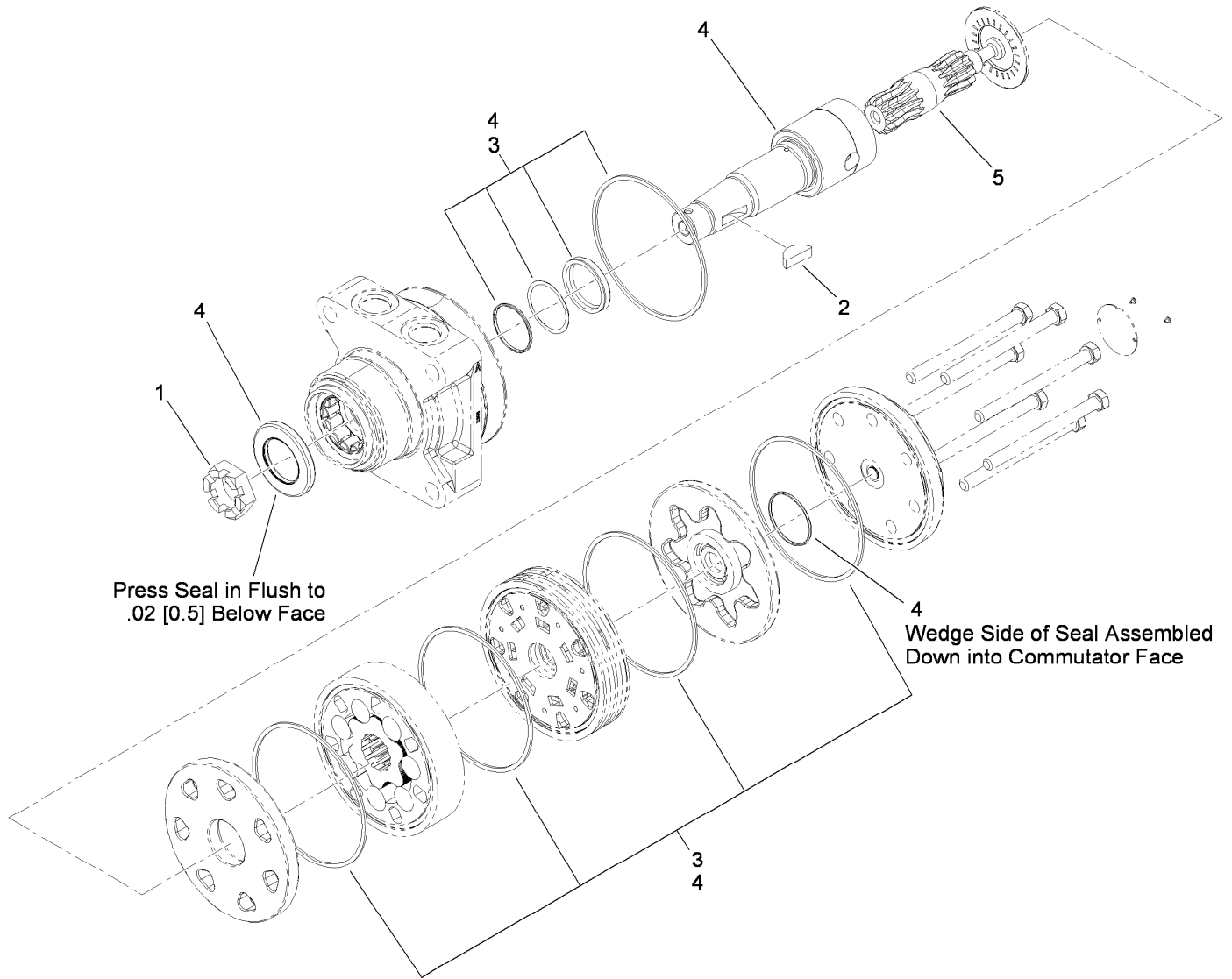
● Not serviced separately



Hydraulic Assembly (continued)

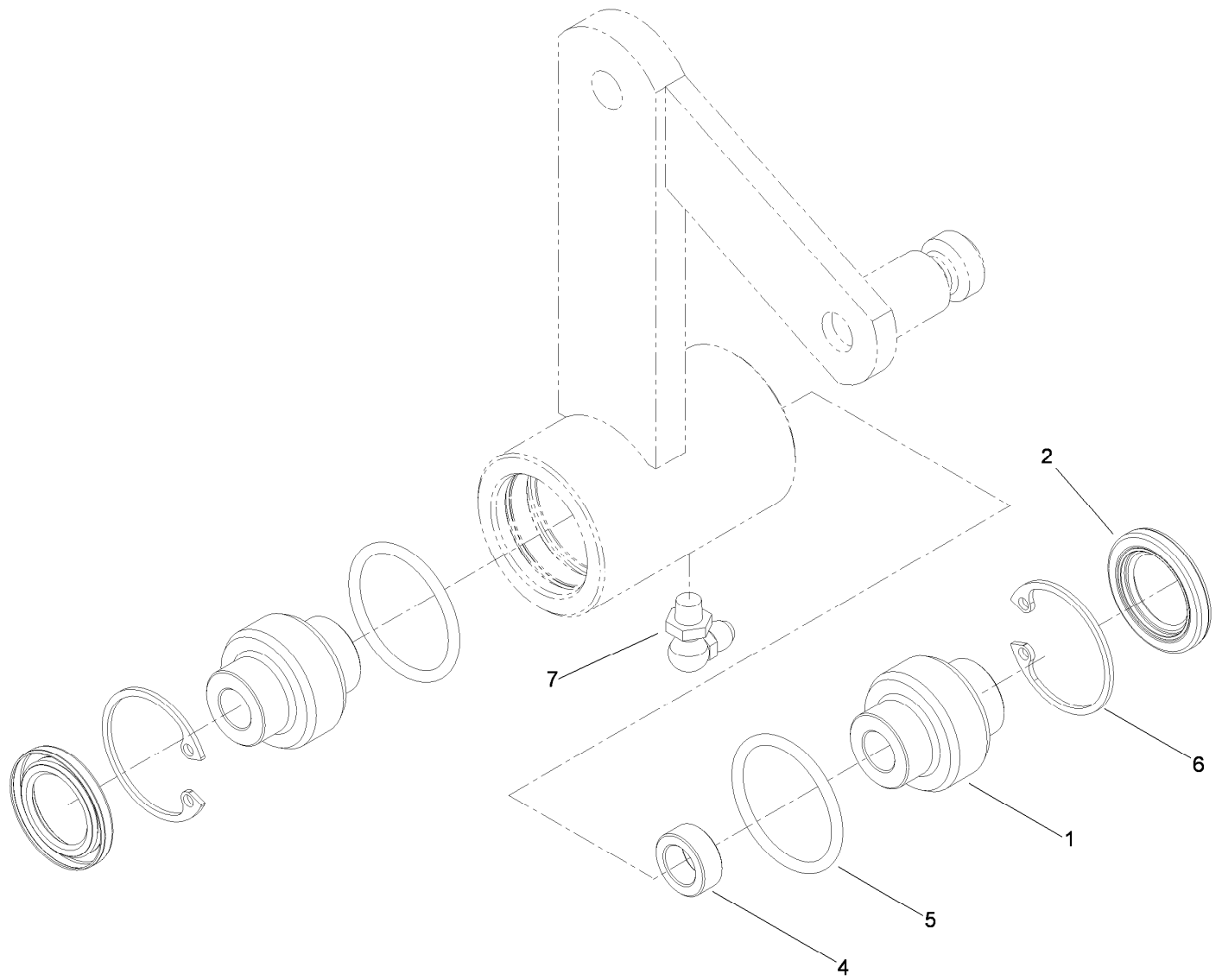
Ref.	Part Number	Qty.	Description	Ref.	Part Number	Qty.	Description
28	109-6046	2	Sheave	40	30-1710	4	Screw
29	109-7738	1	Sheave	41	103-2916	2	Guard-Top
30	114-1512	1	Belt	42	3256-22	2	Washer-Flat
31	109-4076	1	Pulley-Flat Idler	43	3256-4	1	Washer-Flat
32	1-603050	1	Spacer	45	13-2840	1	Key-Square
33	103-5679	1	Pump Idler ASM	46	5-1077	2	Key-Square
34	321-6	2	Screw-HH	47	3290-357	8	Nut-HHF, Whiz
35	323-8	1	Screw-HH	48	32128-33	2	Nut-HF
36	323-11	1	Screw-HH	49	1-805004	2	Washer-Lock
37	1-800805	1	Screw-HH	50	321-3	2	Screw-HH
38	323-7	4	Screw-HH	51	110-4150	2	Pump-HYD
39	1-803050	2	Screw-Set				

● Not serviced separately



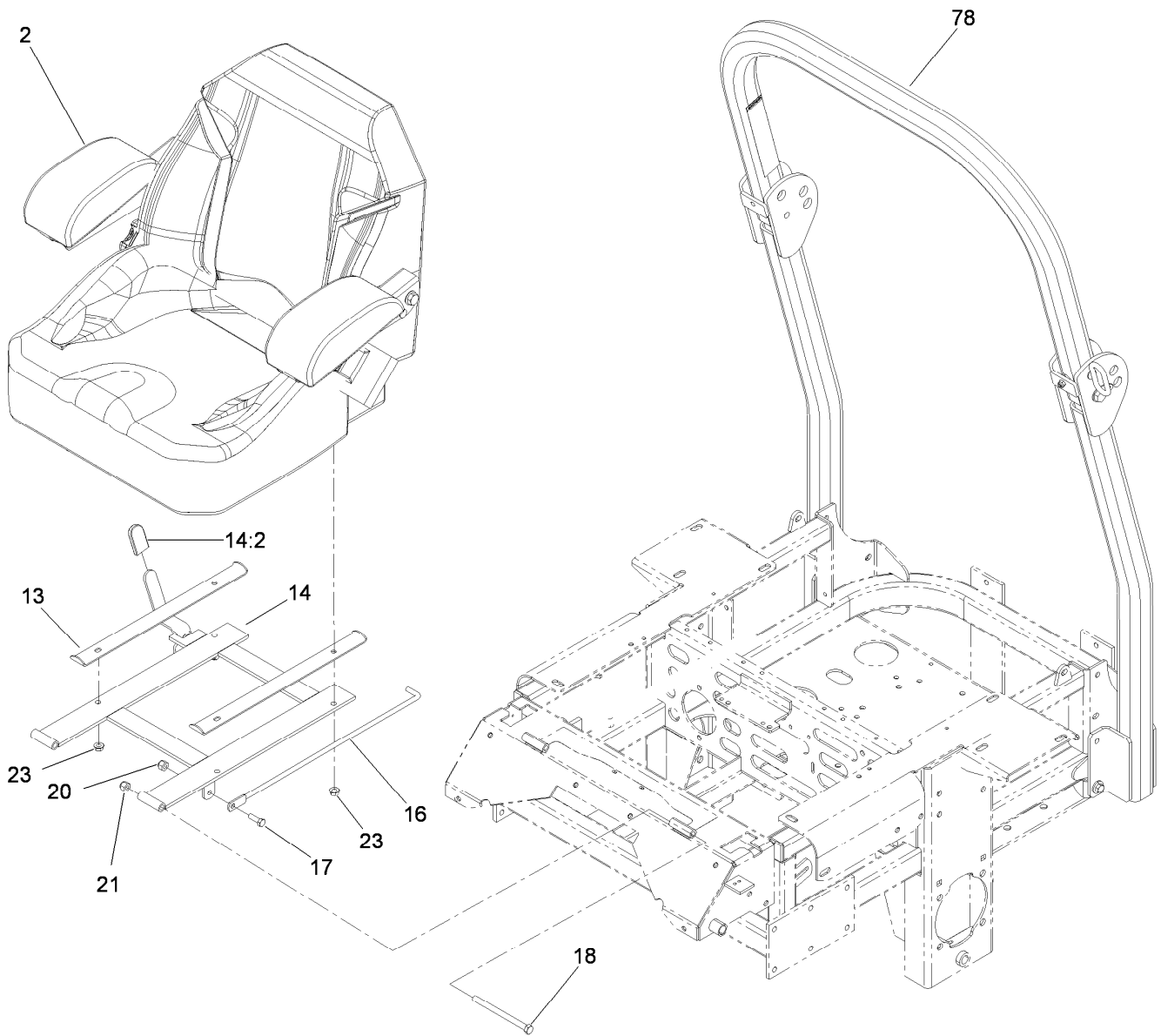
Hydraulic Wheel Motor No. 1-523328

<i>Ref.</i>	<i>Part Number</i>	<i>Qty.</i>	<i>Description</i>
1	1-809036	1	Nut-HH
2	3257-42	1	Key-Woodruff
3	103-6994	1	Seal Kit
4	103-6995	1	Output Shaft And Seals Kit
5	103-2748	1	Drive Link Kit



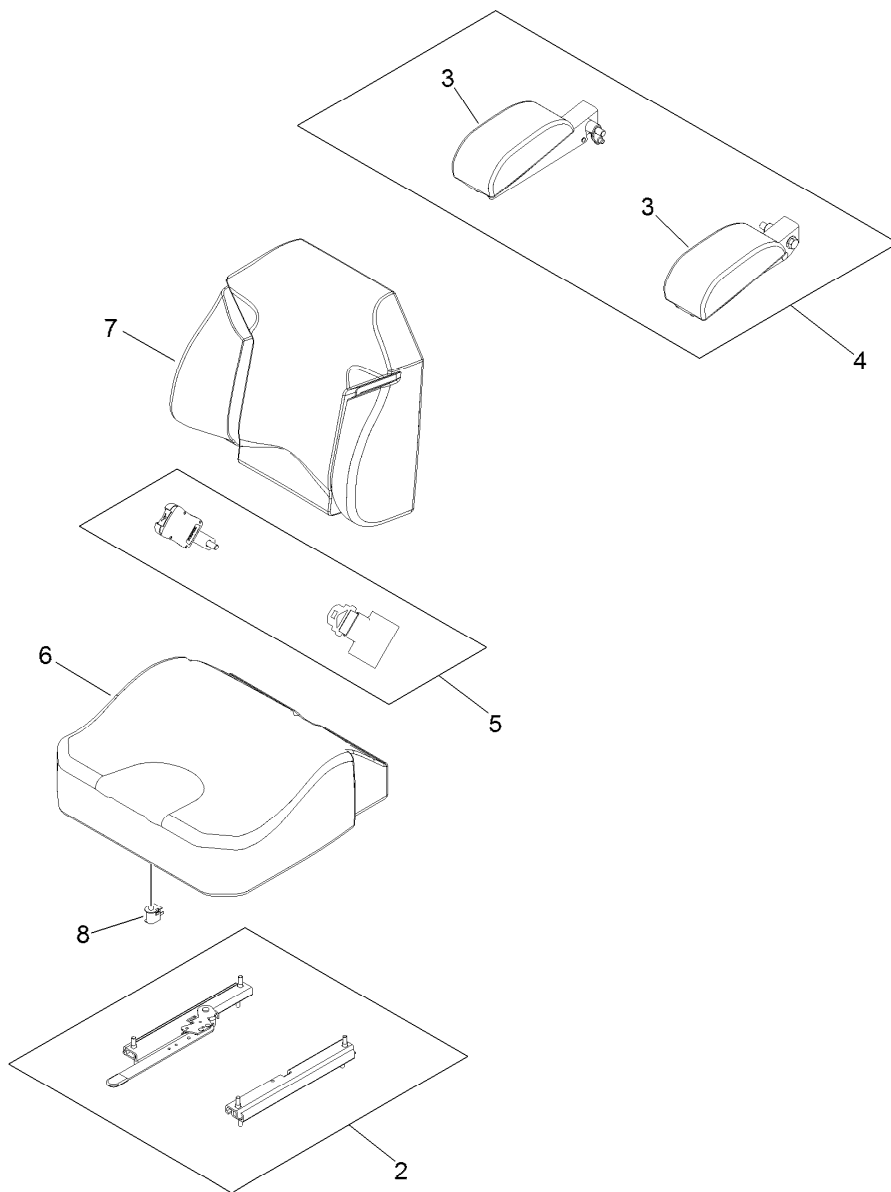
Pump Idler Assembly No. 103-5679

<i>Ref.</i>	<i>Part Number</i>	<i>Qty.</i>	<i>Description</i>
1	103-3504	2	Bearing-Spherical
2	103-3506	2	Seal-Single Lip
4	103-5677	1	Spacer
5	106-7159	2	O-Ring
6	32120-10	2	Ring-Snap
7	302-40	1	Fitting-Grease



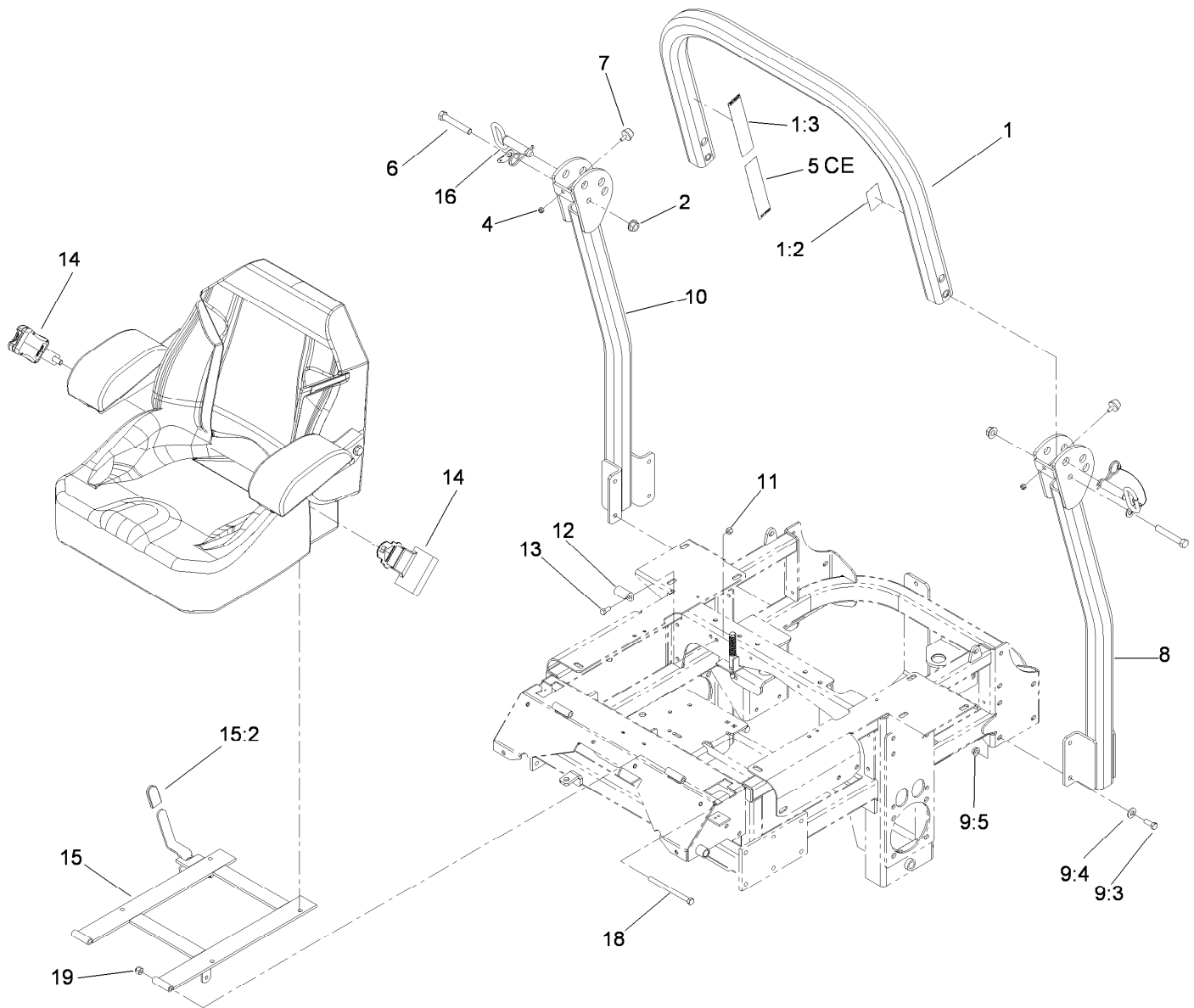
Seat and Roll-Over Protection System Assembly

<i>Ref.</i>	<i>Part Number</i>	<i>Qty.</i>	<i>Description</i>
2	116-0035	1	Seat-Standard
13	1-633872-03	2	Stop-Seat
14	110-5850	1	Seat Frame And Latch ASM
14:2	103-4434	1	Grip-Lever
16	1-633293	1	Rod-Holdup, Seat
17	322-5	1	Screw-HH
18	323-39	2	Screw-HH
20	3296-29	3	Nut-Lock, NI
21	3296-39	2	Nut-Lock, NI
23	32128-20	4	Nut-HF
78	117-3879	1	ROPS Kit



Seat Assembly No. 116-0035

<i>Ref.</i>	<i>Part Number</i>	<i>Qty.</i>	<i>Description</i>
2	109-9801	1	Seat Track Set
3	109-9802	1	Arm Rest Pad Set
4	109-9803	1	Arm Rest Set
5	109-9805	1	Seat Belt Kit
6	109-9806	1	Cover-Cushion
7	109-9808	1	Cover-Back
8	82-2190	1	Switch-Bail

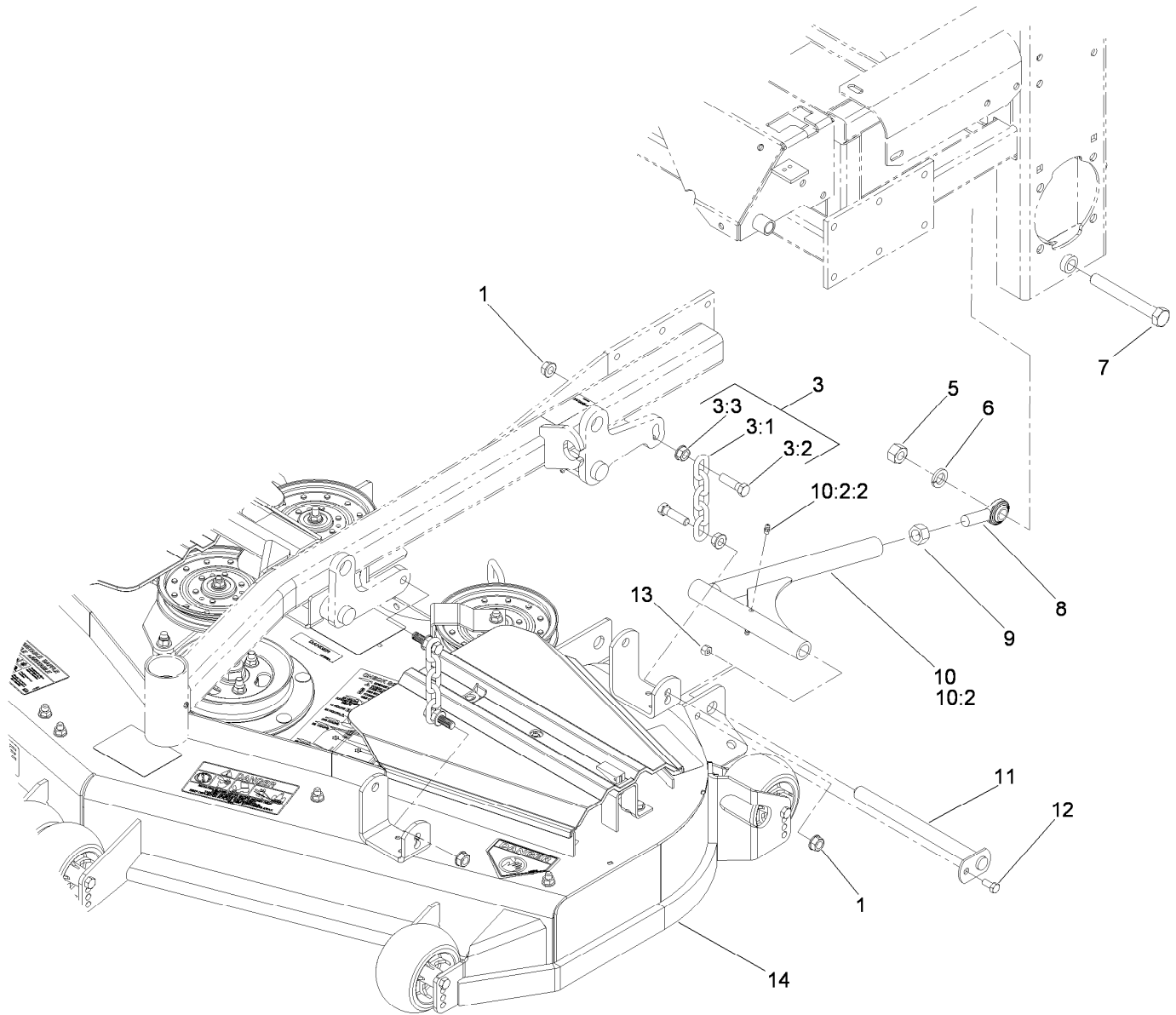


Roll-Over Protection System Assembly No. 117-3879

Ref.	Part Number	Qty.	Description	Ref.	Part Number	Qty.	Description
1		1	Upper Tube ASM ■	9:3	323-6	8	Screw-HH
1:2	107-2101	1	Decal-ROPS	9:4	98-5975	8	Washer-Belleville
1:3	107-2102	1	Decal-Warning, Folding ROPS	9:5	3290-357	8	Nut-HHF, Whiz
2	32128-23	2	Nut-HF	10		1	Tube-Support, RH ■
4	3296-73	2	Nut-Lock, NI	11	3296-29	2	Nut-Lock, NI
5	107-3069	1	Decal-Warning, Folding ROPS	12	107-3058	1	Catch-Latch, Seat
6	325-13	2	Screw-HH	13	322-3	2	Screw-HH
7	109-2365	2	Rubber Bumper ASM (W/Stud)	14	109-9805	1	Seat Belt Kit
8		1	Tube-Support, LH ■	15	110-5850	1	Seat Frame And Latch ASM
9		1	Bag-Bolt, ROPS ●■	15:2	103-4434	1	Grip-Lever
				16	103-4553	2	ROPS Fold Pin ASM
				18	323-39	2	Screw-HH
				19	3296-39	2	Nut-Lock, NI

● Not illustrated

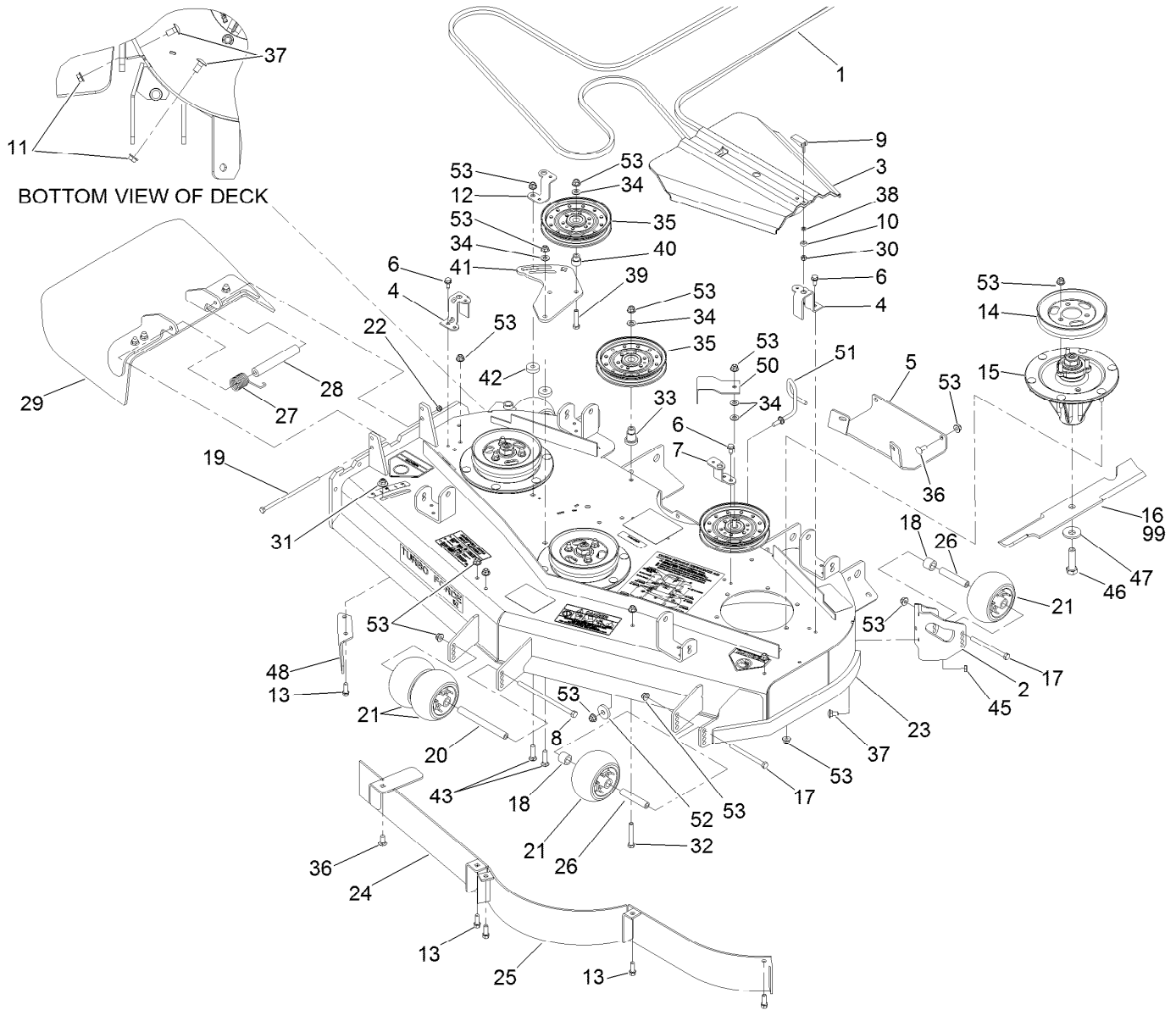
■ Not serviced separately



Deck Connection Assembly

<i>Ref.</i>	<i>Part Number</i>	<i>Qty.</i>	<i>Description</i>	<i>Ref.</i>	<i>Part Number</i>	<i>Qty.</i>	<i>Description</i>
1	32128-37	8	Nut-HF	9	3219-6	2	Nut-Hex
3	103-9792	4	Deck Chain ASM	10	109-1181	2	Strut-Deck
3:1	1-633447	1	Chain-Lift, Deck	10:2		1	Tube And Zerk ASM ●
3:2	103-1898	2	Screw-HH	10:2:2	109-1380	2	Fitting-Grease
3:3	32128-37	2	Nut-HF	11	1-632199-01	2	Pin-Strut
5	3217-11	2	Nut-Hex	12	322-3	2	Screw-HH
6	3253-8	2	Washer-Lock	13	3296-29	2	Nut-Lock, NI
7	327-11	2	Screw-HH	14		1	Deck ASM ●
8	1-633029	2	Balljoint-Spherical				

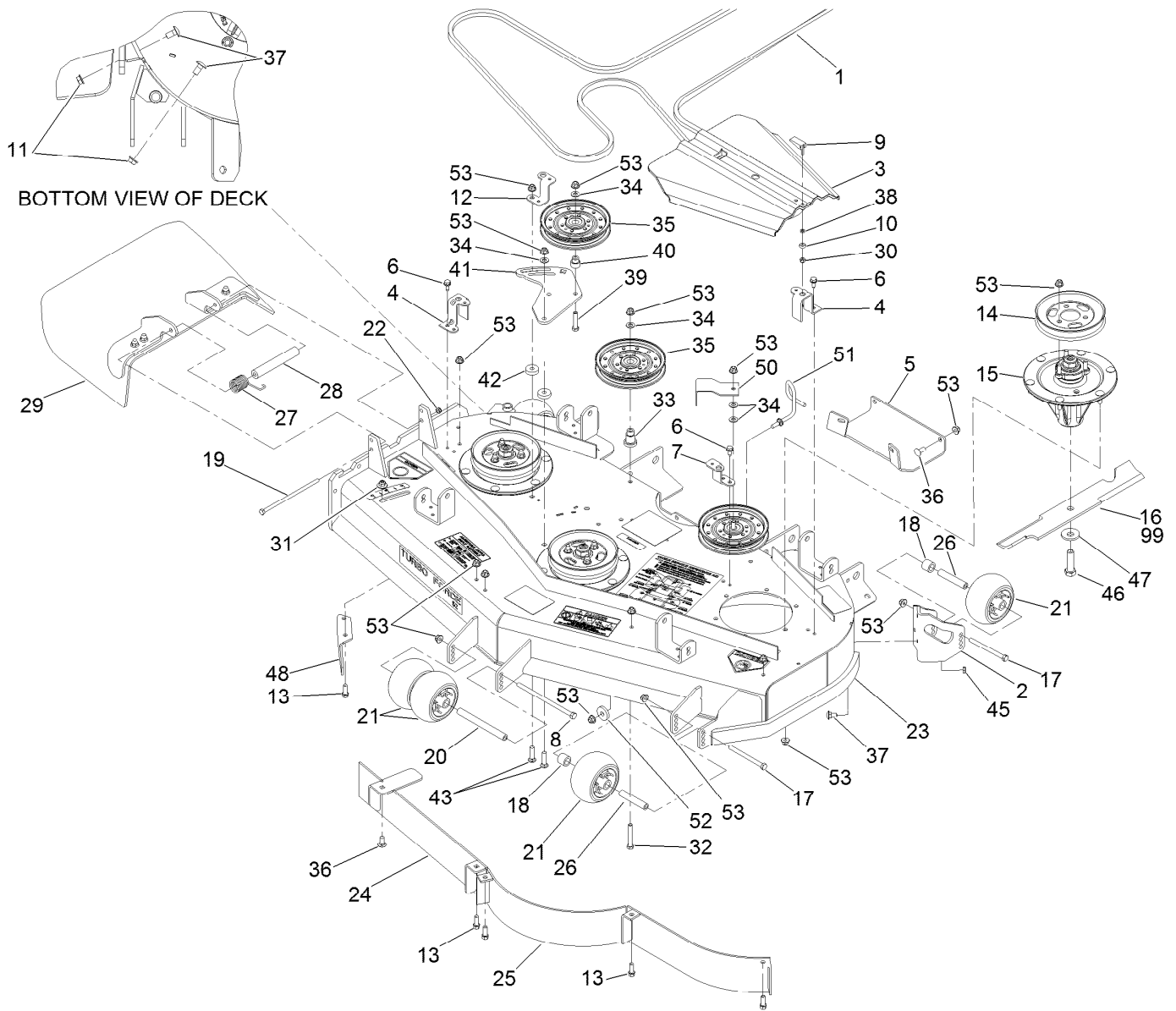
● Not serviced separately



Deck Assembly

Ref.	Part Number	Qty.	Description	Ref.	Part Number	Qty.	Description
1	105-7790	1	Belt	20	98-5967	1	Spacer-Wheel
2	106-7354-01	1	Mount-Wheel, LH	21	1-603299	5	Roller-Scalp, Anti
3	112-8665	2	Cover-Belt	22	3296-47	1	Nut-Lock, NI
4	119-4220-01	2	Bracket-Cover	23	119-4205	1	Deck Decal ASM
5	106-7358-01	1	Plate-Skid	24	119-4207-01	1	Baffle ASM
6	32144-70	3	Screw-HWHTF	25	105-7754-01	1	Baffle ASM
7	108-2177-01	1	Bracket-Cover, Tall	26	98-7912	3	Tube-Spanner
8	108-5388	1	Screw-HH	27	108-4052	1	Spring-Torsion
9	106-6777	2	Handle-Latch, Swell	28	105-4622	1	Spacer
10	106-6778	2	Bushing-Latch, Swell	29	108-7770	1	Rubber Deflector ASM
11	3290-357	4	Nut-HHF, Whiz	30	1-804254	2	Nut-Lock, HH
12	108-2178-01	1	Bracket-Cover, Short	31	109-6658	1	Nut-Flange, NI
13	92-1624	6	Screw-HWH	32	323-12	2	Screw-HH
14	105-7735	3	Pulley	33	106-3214	2	Mount-Pulley
15	119-8560	3	Spindle ASM	34	3256-24	5	Washer-Flat
16	105-7781-03	3	Blade-18 Inch (Hi Flow)	35	1-633109	3	Idler-Flat
17	323-23	3	Screw-HH	36	3231-27	5	Screw-CARR
18	98-7913	3	Tube-Spacer	37	3231-1	7	Screw-CARR
19	322-50	1	Screw-HH	38	99-3058	2	Washer

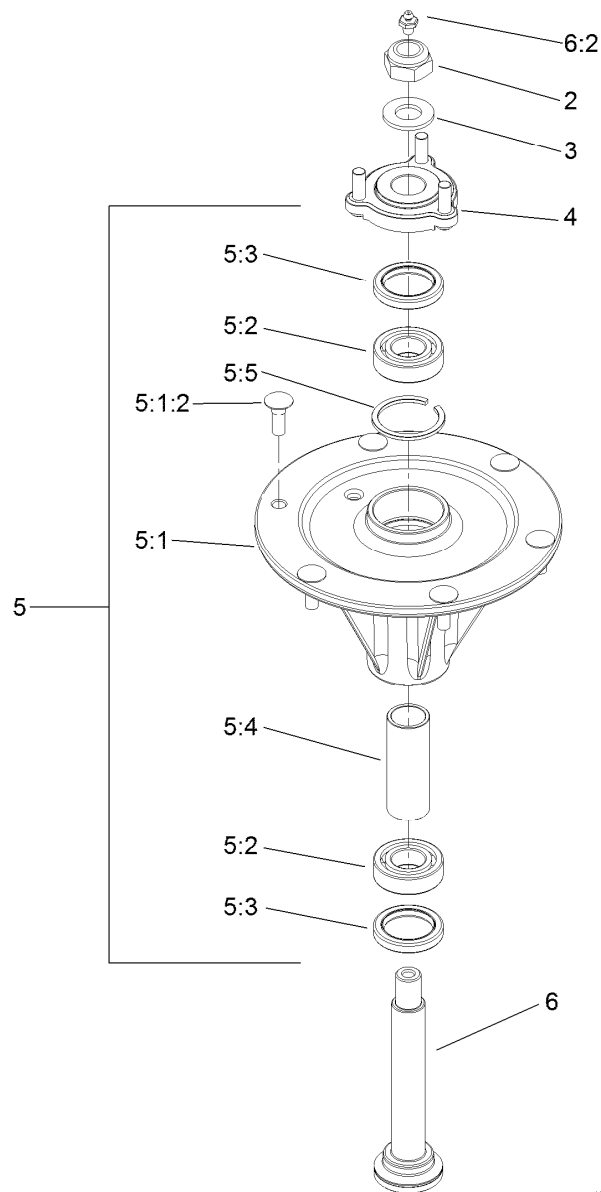
● Optional Equipment



Deck Assembly (continued)

Ref.	Part Number	Qty.	Description	Ref.	Part Number	Qty.	Description
39	323-9	1	Screw-HH	50	108-7220-01	1	Guide-Belt
40	1-603496	1	Bushing-Idler	51	106-3220	1	Guide-Belt
41	119-4219-01	1	Plate-Idler	52	112843	1	Washer
42	105-7788	2	Spacer	53	104-8301	47	Nut-Flange, NI
43	3231-4	2	Screw-CARR	99	105-7796-03	1	Blade-Atomic ●
45	3296-59	3	Nut-Lock, NI	99	105-7795-03	1	Blade-Low Flow ●
46	51-4060	3	Screw-Blade	99	105-7794-03	1	Blade-Med Flow ●
47	103-0865	3	Washer-Blade Bolt, Heavy	99	105-7779-03	1	Blade-Recycler ●
48	106-3216-01	1	Baffle-Discharge				

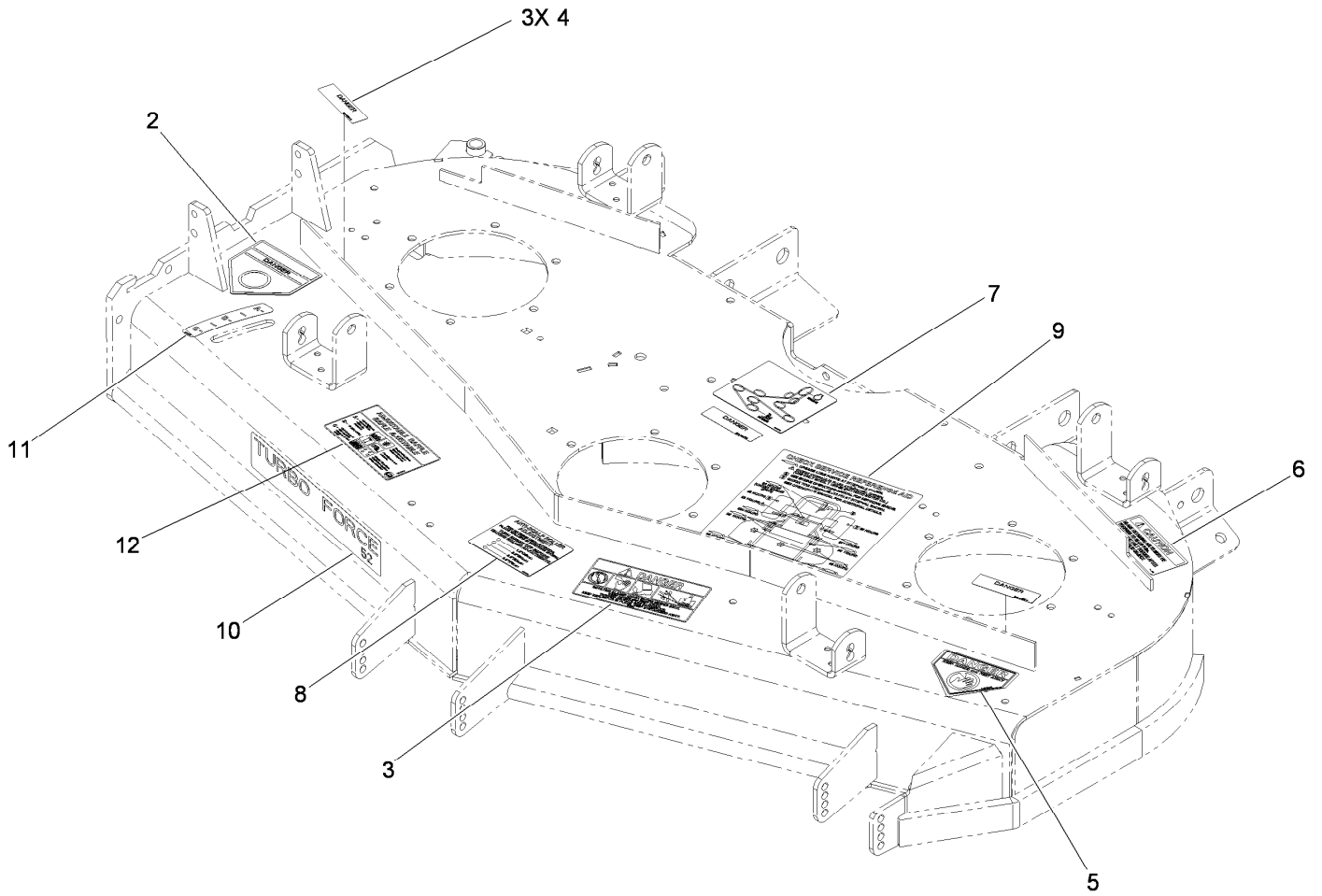
● Optional Equipment



Spindle Assembly No. 119-8560

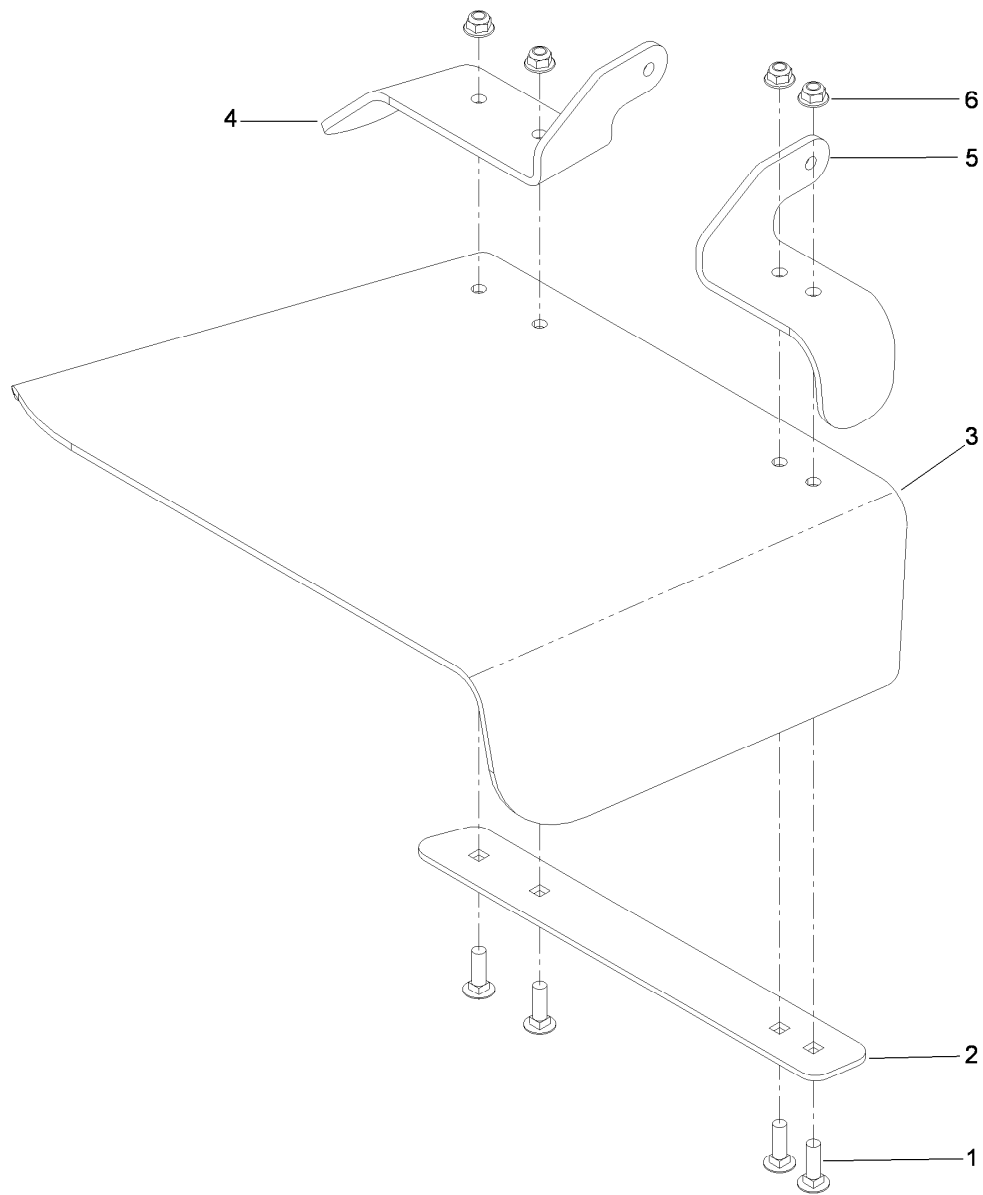
Ref.	Part Number	Qty.	Description
2	3296-67	1	Nut-Lock, NI
3	92-5836	1	Washer
4	117-6172	1	Spindle Hub ASM
5		1	Spindle Housing ASM ●
5:1		1	Spindle Housing And Studs ASM ●
5:1:2	114-8195	6	Bolt-Ribbed Neck
5:2	119-8554	2	Bearing -Noseal
5:3	253-133	2	Seal-Oil
5:4	117-6184	1	Spacer
5:5	114-8161	1	Ring-Snap
6	119-8527	1	Spindle Shaft And Zerk ASM
6:2	302-2	1	Fitting-Grease

● Not serviced separately



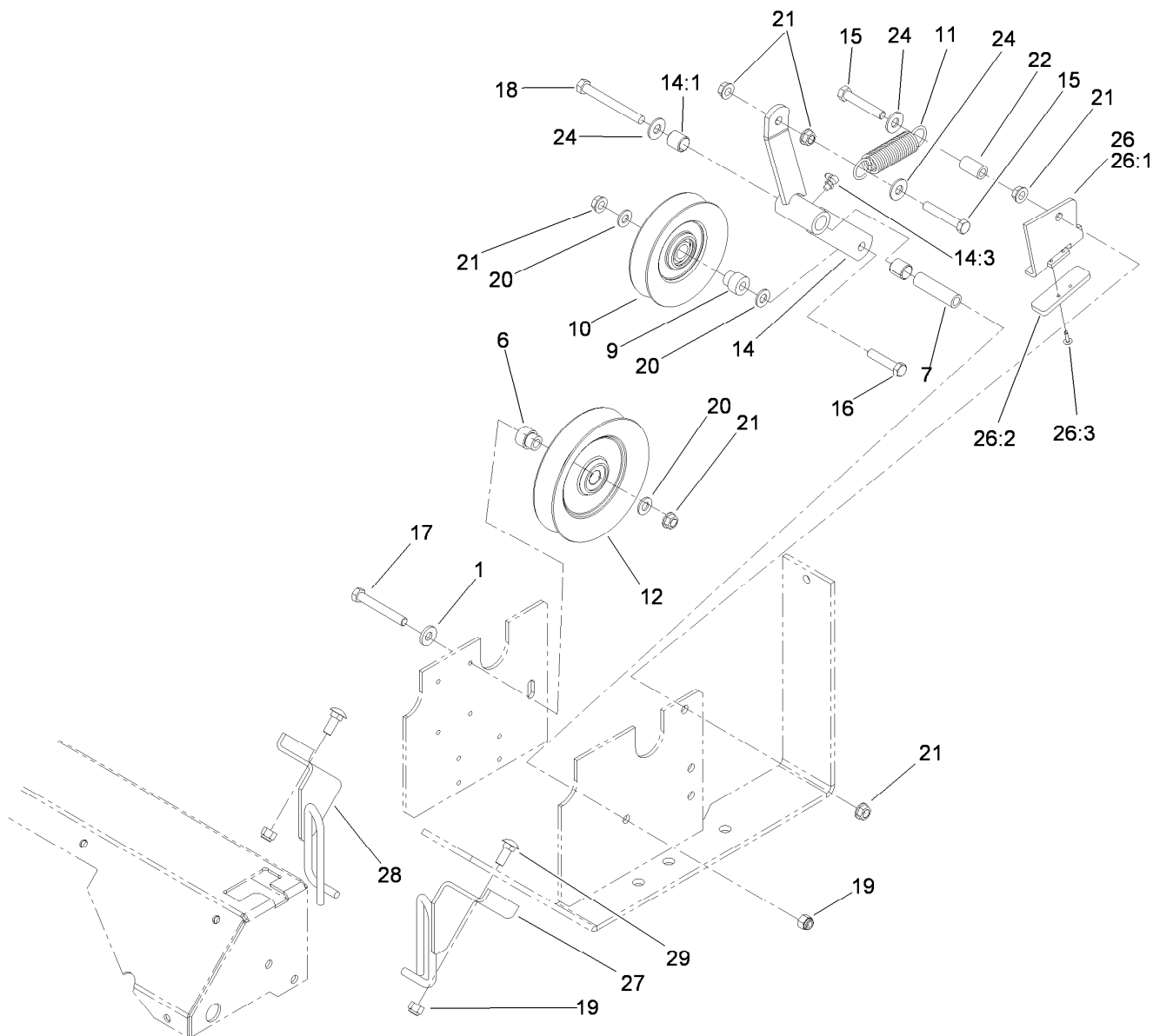
Deck Decal Assembly No.119-4205

Ref.	Part Number	Qty.	Description
2	54-9220	1	Decal-Danger
3	66-1340	1	Decal-Danger, Thrown Object
4	98-5954	3	Decal-Cover, Missing
5	1-403005	1	Decal-Danger
6	68-8340	1	Decal-Torque
7	105-7797	1	Decal-Routing, Belt
8	105-7798	1	Decal-Scalp, Anti
9	117-3813	1	Decal-Service, Check
10	107-1618	1	Decal
11	110-2067	1	Decal-Setting, Baffle
12	110-2068	1	Decal-Adjustment, Baffle



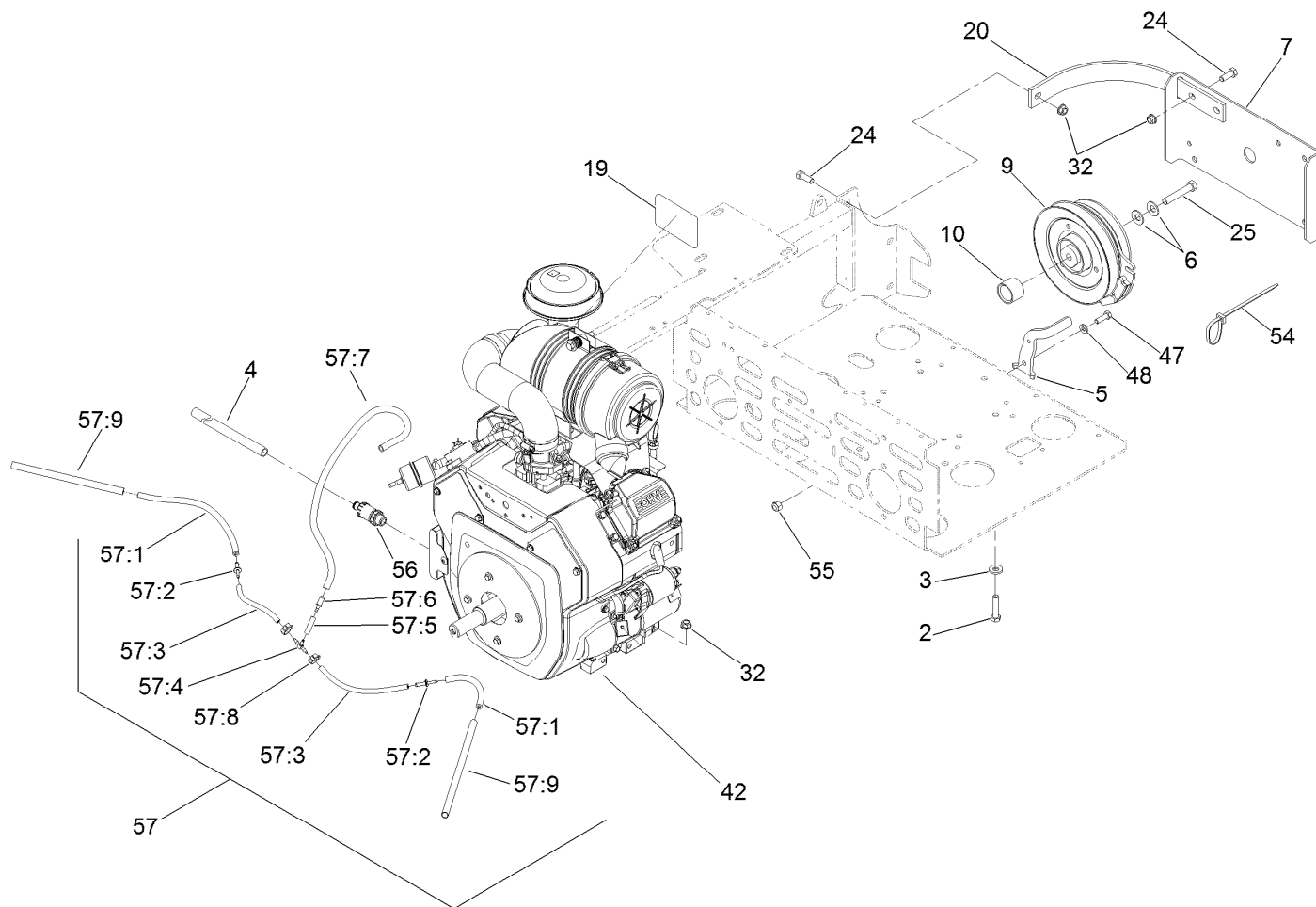
Rubber Deflector Assembly No. 108-7770

<i>Ref.</i>	<i>Part Number</i>	<i>Qty.</i>	<i>Description</i>
1	3231-25	4	Screw-CARR
2	106-3248-03	1	Strap-Discharge
3	108-5029	1	Deflector-Rubber
4	108-7767-03	1	Bracket-Hinge, Rear
5	108-7766-03	1	Bracket-Hinge, Front
6	104-8301	4	Nut-Flange, NI



Idler Assembly

<i>Ref.</i>	<i>Part Number</i>	<i>Qty.</i>	<i>Description</i>	<i>Ref.</i>	<i>Part Number</i>	<i>Qty.</i>	<i>Description</i>
1	98-5975	1	Washer-Belleville	18	1-800805	1	Screw-HH
6	103-2627	1	Bushing-Idler	19	3296-39	3	Nut-Lock, NI
7	1-603384	1	Bushing-Pivot, Idler	20	3256-24	3	Washer-Flat
9	1-603496	1	Bushing-Idler	21	3290-357	6	Nut-HHF, Whiz
10	99-4638	1	Idler	22	1-603401	1	Spacer-Fender
11	1-603402	1	Spring-Extension	24	3256-4	3	Washer-Flat
12	1-633166	1	Pulley-Idler	26	106-3271	1	Travel Limiter ASM
14	103-3147	1	Arm ASM	26:1	106-3228-03	1	Plate-Limiter, Pulley
14:1	1-513034	2	Sleeve-Bearing	26:2	106-3229	1	Pad-Bumper
14:3	302-40	1	Fitting-Grease	26:3	3269-24	2	Rivet
15	323-12	2	Screw-HH	27	108-7204-03	1	Guide-Belt, LH
16	323-9	1	Screw-HH	28	108-7229-03	1	Guide-Belt, RH
17	323-13	1	Screw-HH	29	3231-2	2	Screw-CARR



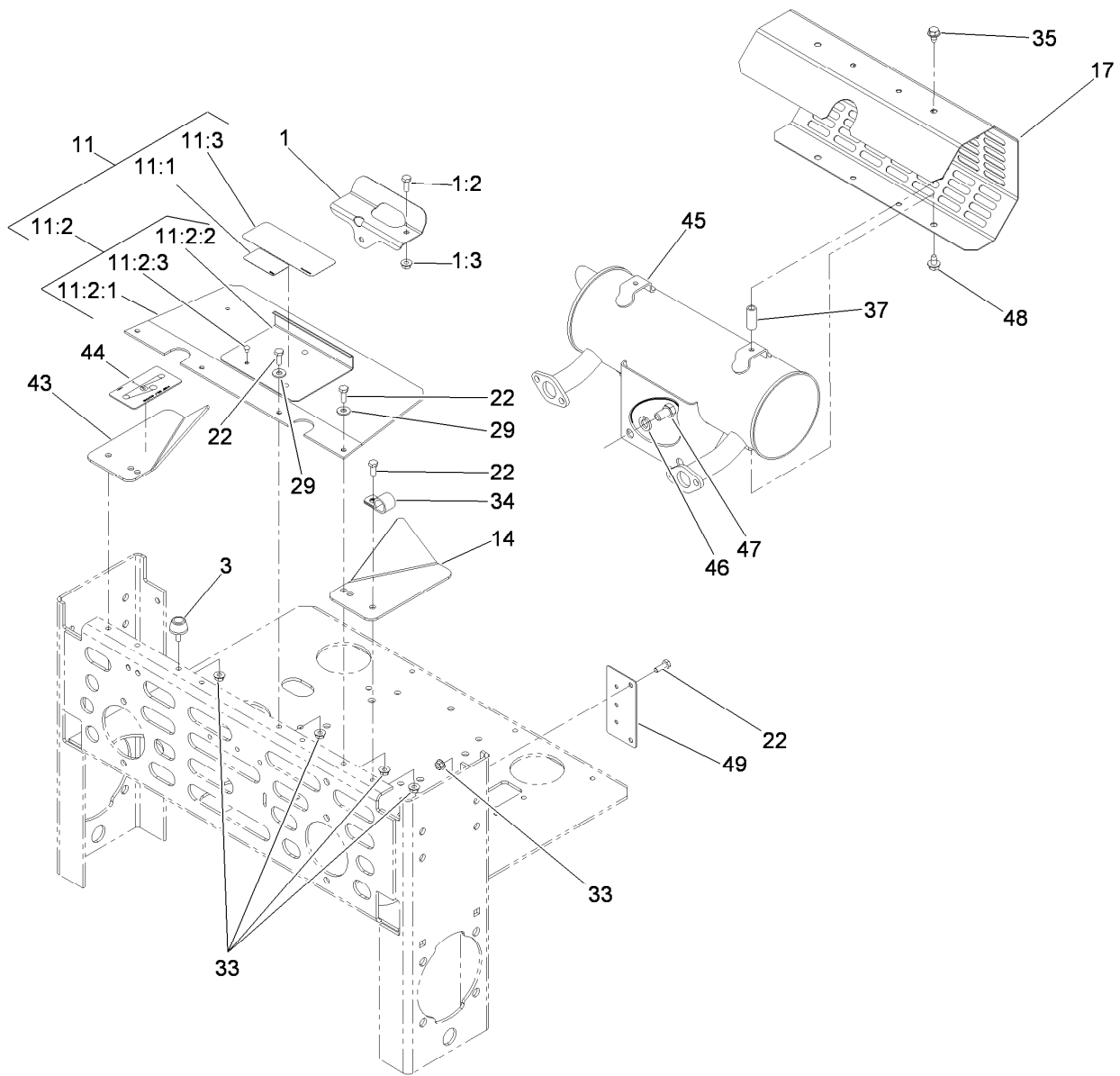
Engine and Clutch Assembly

Ref.	Part Number	Qty.	Description
2	323-9	4	Screw-HH
3	98-5975	4	Washer-Belleville
4	106-7022	1	Tube-Drain, Oil
5	109-7083-03	1	Anchor-Clutch
6	1-603610	2	Washer-Spring
7	1-633615-03	1	Guard-Clutch
9	103-6579	1	Clutch
10	1-633179	1	Spacer-Clutch
19	103-3270	1	Decal
20	103-7454-03	2	Strap-Guard
24	323-6	6	Screw-HH
25	3212-10	1	Screw-HH
32	3290-357	8	Nut-HHF, Whiz
42		1	Engine-Kohler, Ch740S ●■
47	322-5	1	Screw-HH

Ref.	Part Number	Qty.	Description
48	1-303334	1	Washer-Spring
54	1-303335	1	Tie-Plastic
55	3296-29	1	Nut-Lock, NI
56	92-6877	1	Valve-Drain, Oil
57	119-8524	1	Vent Hoses ASM
57:1	109-0282	2	Hose-Fuel
57:2	117-5399	2	Adaptor-Orifice
57:3	119-8523	2	Hose-Fuel
57:4	120-2234	1	Fitting-Tee
57:5	119-8561	1	Hose-Fuel
57:6	98-2952	1	Fitting-Straight
57:7	119-8562	1	Hose-Fuel
57:8	119-8563	2	Clip-Conduit, Nail
57:9	119-8566	2	Cover Hose

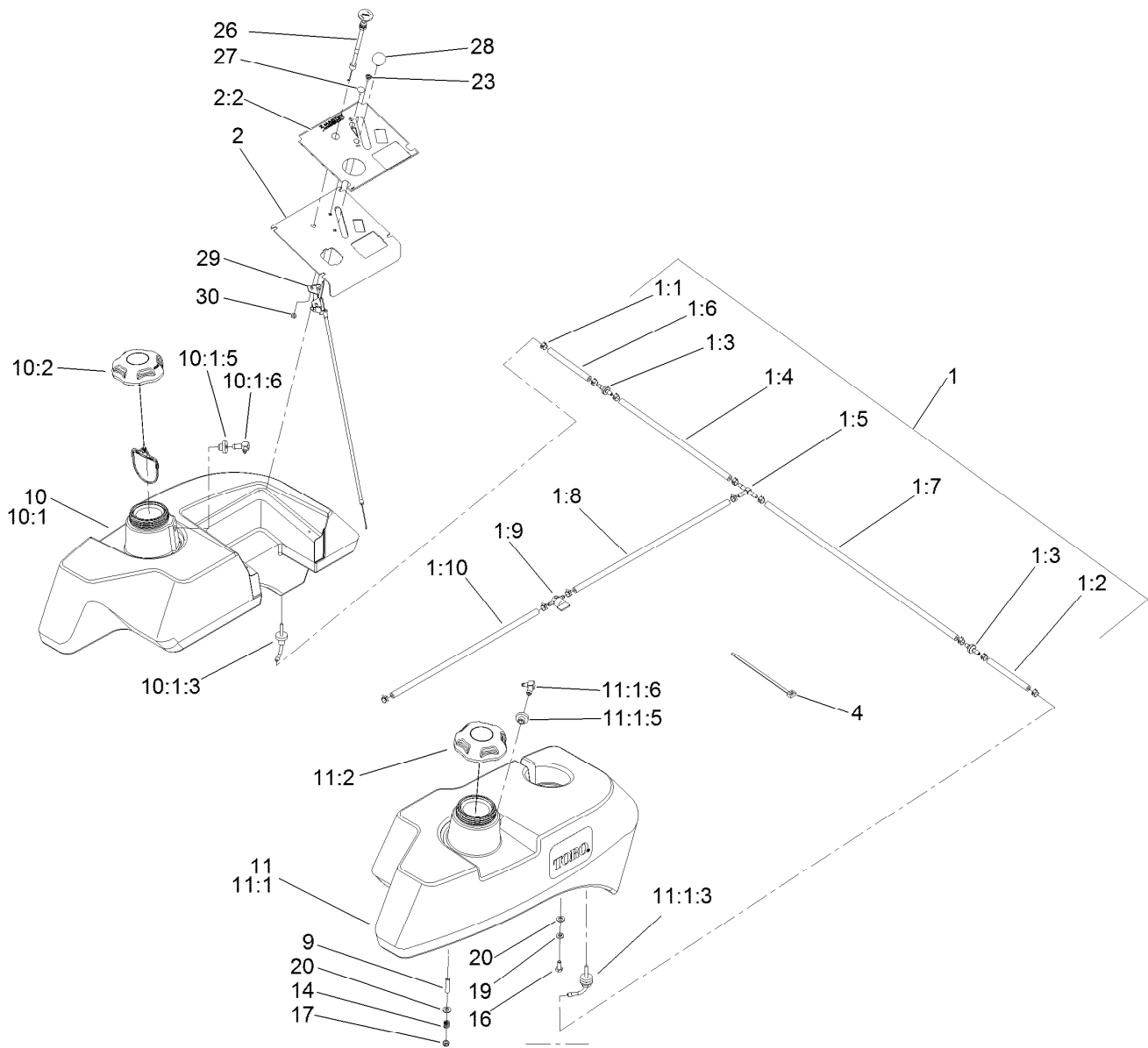
● Not serviced separately

■ Obtain parts from www.kohlerplus.com



Muffler and Guard Assembly

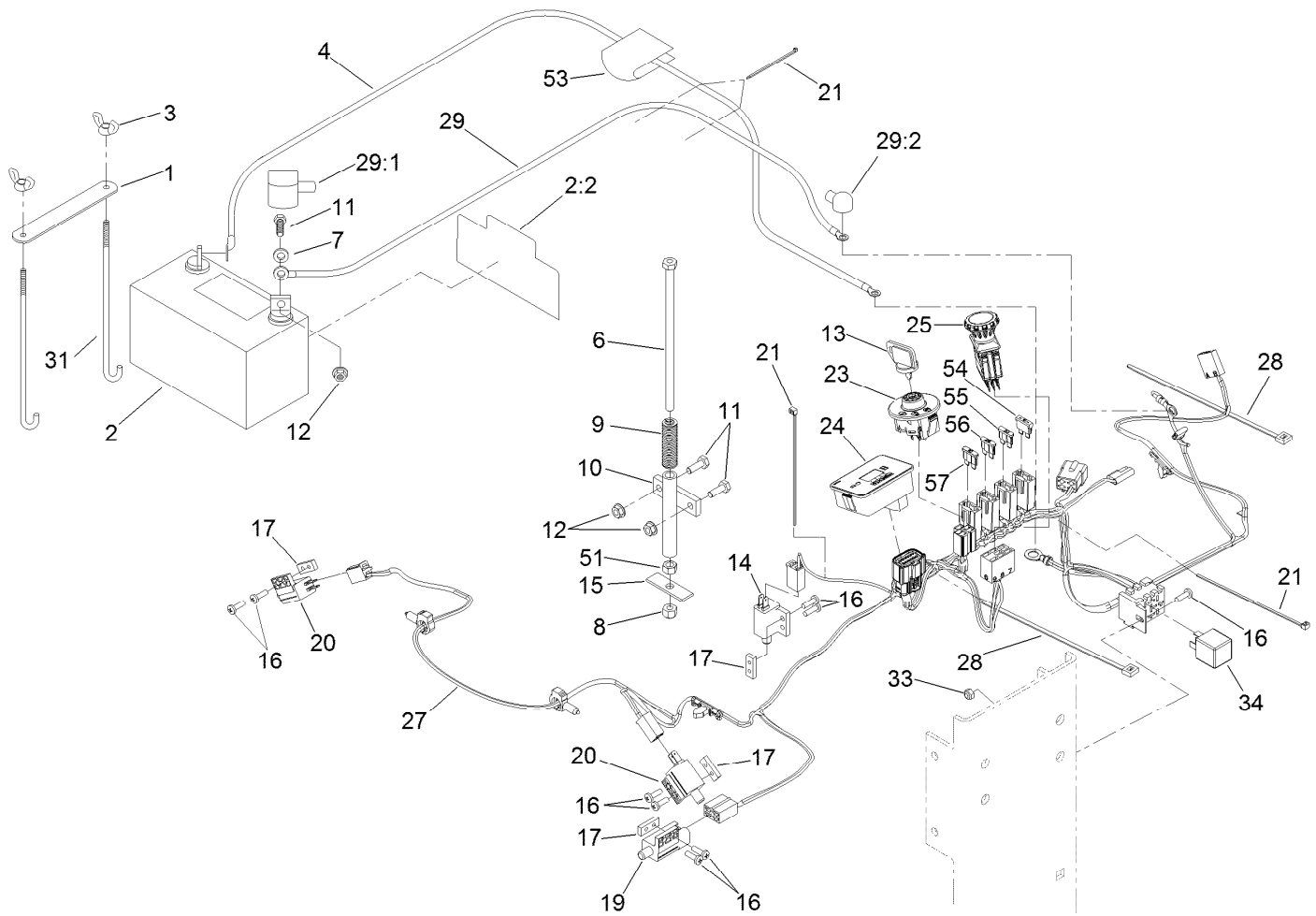
<i>Ref.</i>	<i>Part Number</i>	<i>Qty.</i>	<i>Description</i>	<i>Ref.</i>	<i>Part Number</i>	<i>Qty.</i>	<i>Description</i>
1	103-3535	1	Cable Heat Shield Kit	22	321-4	11	Screw-HH
1:2	321-4	1	Screw-HH	29	3256-2	4	Washer-Flat
1:3	32128-33	1	Nut-HF	33	32128-33	13	Nut-HF
3	109-2365	2	Rubber Bumper ASM (W/Stud)	34	1-633396	1	Clip-Loom
11	1-644276	1	Shield ASM	35	1-809108	2	Screw-HWH
11:1	1-633462	1	Decal-Important	37	1-323236	2	Spacer
11:2	1-634308	1	Shield And Lift ASM	43	103-6619-03	1	Support-Front Cover, RH
11:2:1	103-1308	1	Shield-Engine	44	1-643339	1	Decal-Routing, Belt
11:2:2	1-633300-03	1	Lift-Shield	45	103-7482	1	Muffer
11:2:3	1-803035	3	Rivet-Pop	46	3253-6	2	Washer-Lock
11:3	103-5881	1	Decal-Devices, Rotating	47	324-2	2	Screw-HH
14	103-6620-03	1	Support-Front Cover, LH	48	9266934	2	Screw
17	1-643313-03	1	Guard-Muffler	49	109-7679-03	1	Mount-Relay



Fuel System Assembly

Ref.	Part Number	Qty.	Description	Ref.	Part Number	Qty.	Description
1	107-9285	1	Fuel Line ASM	10:1:6	1-643172	1	Elbow-90 DEG
1:1	2412-98	12	Clamp	10:2	120-5461	1	Cap-Fuel, Ratcheting
1:2	109-0678	1	Hose-Fuel	11	119-8587	1	RH Fuel Tank ASM
1:3	99-5000	2	Valve-Check, Fuel	11:1		1	Tank-Fuel, RH ●
1:4	109-0305	1	Hose-Fuel	11:1:3	103-2605	1	Fitting-Fuel, Bulkhead
1:5	99-5005	1	Fitting-Tee, Barbed	11:1:5	46-6560	1	Bushing
1:6	109-0303	1	Hose-Fuel	11:1:6	1-643172	1	Elbow-90 DEG
1:7	109-0302	1	Hose-Fuel	11:2	120-5461	1	Cap-Fuel, Ratcheting
1:8	109-0299	1	Hose-Fuel	14	1-633349	6	Spring-Tank, Fuel
1:9	1-603770	1	Valve-Fuel	16	322-3	2	Screw-HH
1:10	114-4428	1	Hose-Fuel	17	3296-47	6	Nut-Lock, NI
2	117-0907	1	Control Panel ASM	19	1-805005	2	Washer-Lock
2:2	117-0905	1	Decal-Panel, Control	20	3256-23	8	Washer-Flat
4	1-643115	5	Tie-Plastic	23	109-2661	4	Screw-PPH
9	1-633023	6	Stud	26	106-9962	1	Control-Choke, Push / Pull
10	119-8586	1	LH Fuel Tank ASM	27	1-807513	2	Bolt-CARR
10:1		1	Tank-Fuel, LH ●	28	1-513592	1	Knob-Ball
10:1:3	103-2605	1	Fitting-Fuel, Bulkhead	29	107-8073	1	Cable-Throttle
10:1:5	46-6560	1	Bushing	30	3296-2	2	Nut-Lock, NI

● Not serviced separately



Electrical Assembly

Ref.	Part Number	Qty.	Description	Ref.	Part Number	Qty.	Description
1	107-9277-03	1	Strap-Holddown, Battery	21	1-303287	5	Tie-Cable
2	105-1692	1	Battery	23	117-2221	1	Switch-Ignition
2:2	104-4164	1	Decal-Battery	24	112-8650	1	Hour Meter ASM
3	1-543792	2	Wingnut	25	116-0124	1	Switch-PTO, 10A
4	1-633307	1	Wire-Ground	27	114-4441	1	Harness-Electrical
6	1-800282	1	Screw-HH	28	1-303335	2	Tie-Plastic
7	3256-2	2	Washer-Flat	29	109-7630	1	Positive Battery Cable ASM
8	3296-29	1	Nut-Lock, NI	29:1	109-2407	1	Insulator-Battery
9	1-523415	1	Spring-Switch, Seat	29:2	1-543393	1	Insulator-Solenoid
10	1-522424-03	1	Mount-Spring, Seat	31	1-633651	2	Bolt-Holddown
11	321-4	4	Screw-HH	33	3296-2	1	Nut-Lock, NI
12	32128-33	4	Nut-HF	34	1-643275	1	Relay
13	63-8360	2	Key-Ignition	51	3217-6	1	Nut-Hex
14	1-513152	1	Switch-Closed, Normally	53	107-9309	1	Decal-Instructions, Charging
15	1-513180	1	Plate-Switch, Seat	54	109355	1	Fuse-Blade, 15 Amp
16	3290-500	9	Screw-PPH	55	109103	1	Fuse-Blade, 30 Amp
17	1-633181	4	Plate-Tapped	56	109102	1	Fuse-Blade, 25 Amp
19	1-633111	1	Switch	57	218-578	1	Fuse-Blade, 10 Amp
20	1-513051	2	Switch-Open, Normally				

Attachments and Accessories

For 74295 Z500 Z Master, With 52in TURBO FORCE Side Discharge Mower

Product Name	Model/Part
Winter Hydraulic Filter	1-633752
Z Stand Kit	105-1622
1.25 Inch Spark Arrester Kit	105-1672
Blade-Recycler, 18 inch	105-7779-03
Blade-Hi Flow, 18 Inch	105-7781-03
Blade-Med Flow, 18 inch	105-7794-03
Blade-Low Flow, 18 inch	105-7795-03
Blade-Atomic, 18 inch	105-7796-03
Recycler Kit	107-1610
Striping Kit	107-1630
Turbo Baffle Kit	107-1634
Light Kit	107-9880
Blade-Hi Flow, 18 inch (6 Pack)	108-1117
Blade-Atomic, 18 inch (6 Pack)	108-1118
Roller Striping Kit	108-2162
Blade-Lo Flow, 18 inch (6 Pack)	110-0406
Blade-Recycler, 18 inch (6 Pack)	110-0408
Blade-Med Flow, 18 inch (6 Pack)	110-0409
Castor Wheel Assembly (Semi Pneumatic)	110-5746
Hypr-Oil 500 (quart)	114-4713
Hypr-Oil 500 (gallon)	114-4714
Hypr-Oil 500-5 (5 gallon)	114-4715
Bimini Folding Shade Assembly	115-4510
Chute Gate Kit	78521
Deluxe Suspension Seat Kit	78530
Twin Bag Assembly	78533
Blower and Drive Kit	78537
Filter Minder Gauge	99-4664
Hitch Kit	99-8925

Notes:



Count on it.