



Count on it.

Parts Catalog

Z500 Z Master®

**With 72in TURBO FORCE® Side Discharge
Mower**

Model No. 74297—Serial No. 311000001 and Up

Ordering Replacement Parts

To order replacement parts, please supply the part number, the quantity, and the description of each part desired.

Understanding Reference Numbers

Each identified part in an illustration has a reference number. The reference number for a part also appears in the parts list, along with other information about the part.

This catalog uses two special reference number formats, one to indicate parts in a service assembly and another to indicate the quantity of a given part in an illustration.

Service Assembly Reference Numbers

Parts in service assemblies have reference numbers in the form a:b. The a represents the reference number of the entire service assembly and the b represents a sequential number unique to each part within the service assembly.

For example, a wheel assembly might be identified by reference number 6, the tire by 6:1, the valve by 6:2, and the wheel by 6:3. When you order the assembly identified by reference number 6, you receive all parts identified by reference numbers 6:1, 6:2, and 6:3. However, you may also order any part individually. Reference numbers of this type appear in illustration and in parts lists.

Reference Numbers Indicating Quantity

In an illustration, if a reference number indicates more than one part, the reference number has the form nX y. The n represents the quantity of the part, the X is the multiplication symbol, and the y represents the reference number.

For example, in an illustration, the reference number 2X 37 means that two of the parts identified by reference number 37 are indicated.

List of Abbreviations

AR: as required

ASM: assembly

BBC: blade brake control

BHTF: button head thread forming

CARR: carriage

CCW: counter clockwise

CW: clockwise

DEG: degrees

DPA: Dual Point Adjustment

ECM: electronic control module

EXT: external

FH: flat head

GA: gauge

HD: heavy-duty

HF: hex flange

HH: hex head

HHF: hex head flange

HHFTF: hex head flange thread forming

HJ: hex jam

HLH: hex lag head

HOC: height-of-cut

HSBH: hex socket button head

HSFH: hex socket flat head

HSH: hex socket head

HWH: hex washer head

HWTF: hex washer head thread forming

HYD: hydraulic

LH: left hand

LP: Liquid Propane

NI: nylon insert

NPTF: national pipe thread fine

PFH: phillips flat head

PPH: phillips pan head

PPHTF: phillips pan head thread forming

PRH: phillips round head

PTH: phillips truss head

PTO: power-take-off

RH: right hand

ROPS: roll-over protection system

RRB: rear roller brush

SFH: slotted fillister head

SHH: slotted hex head

SHWH: slotted hex washer head

SPH: slotted pan head

SQH: square head

SRH: slotted round head

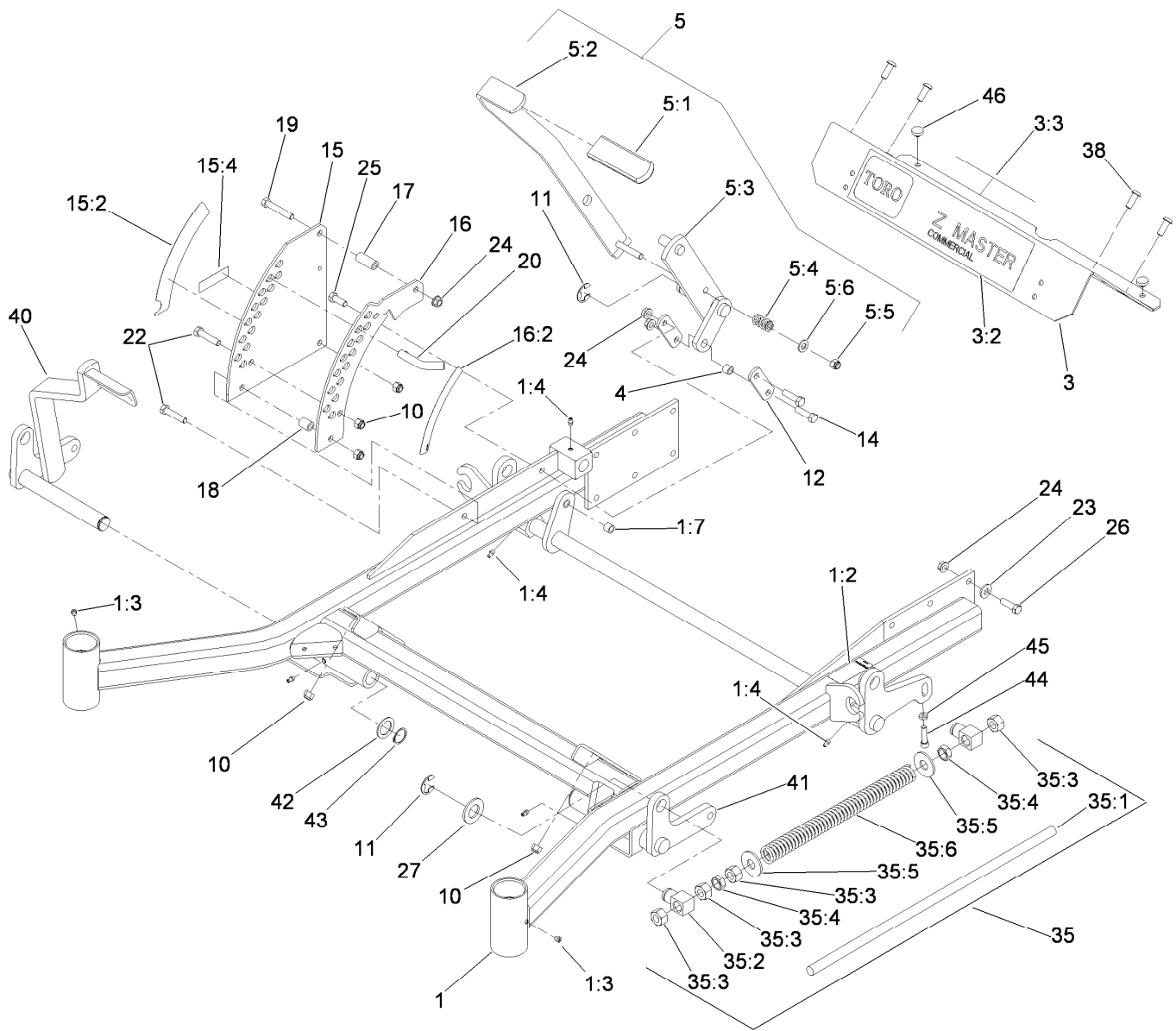
STD: standard

TAP: self tapping

TTH: torx truss head

Contents

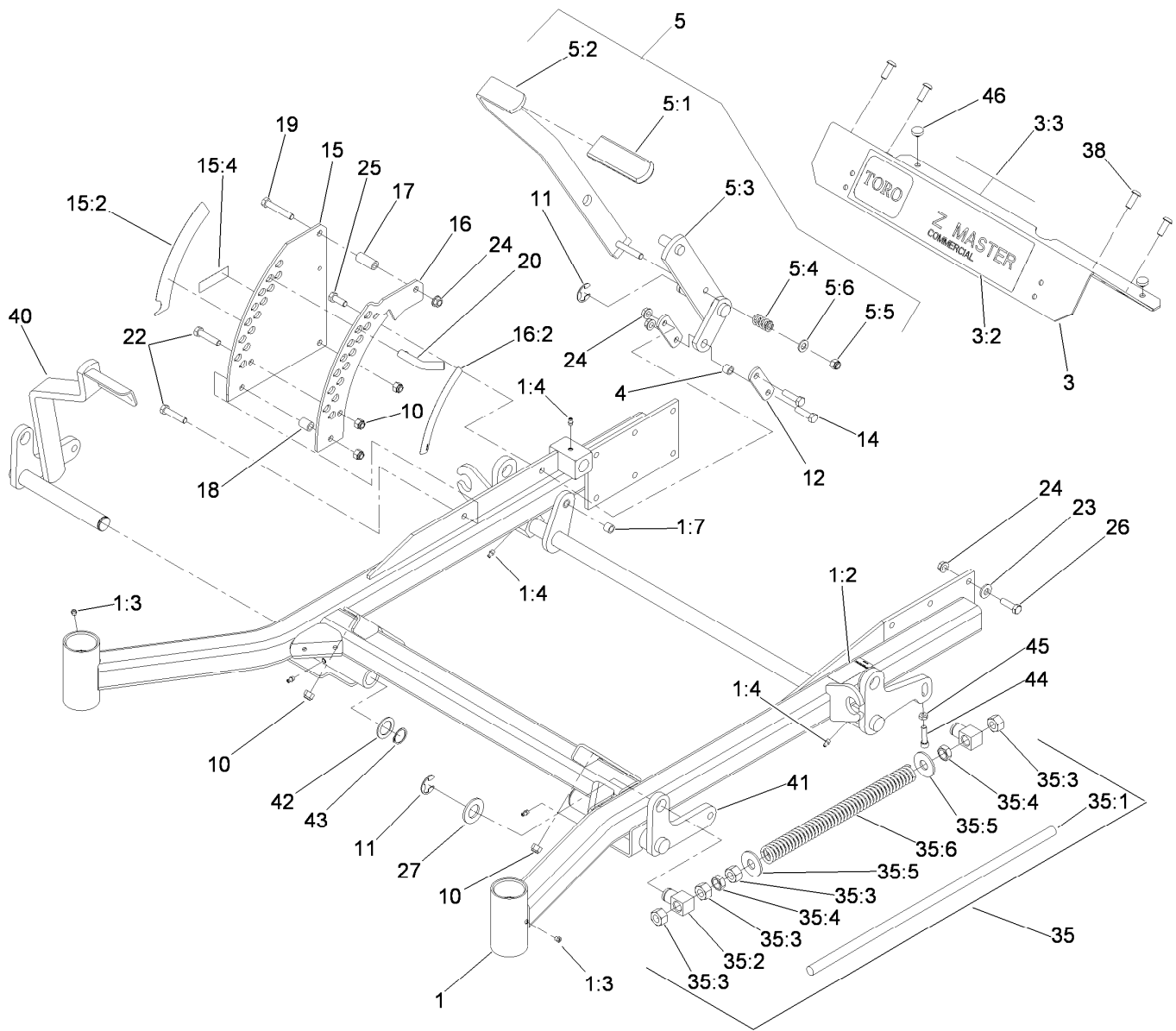
Front Frame Assembly	4
Fork and Caster Wheel Assembly	6
Main Frame and Rear Wheel Assembly	7
Brake and Wheel Hub Assembly	8
Motion Control Assembly	9
LH Motion Control Assembly No. 109-3906	10
RH Motion Control Assembly No. 109-3907	11
Hydraulic Assembly	12
Hydraulic Pump Assembly No. 116-2445	14
Hydraulic Wheel Motor No. 1-523328	15
Pump Idler Assembly No. 103-5679	16
Seat and Roll-Over Protection System Assembly	17
Seat Assembly No. 116-0035	18
Roll-Over Protection System Assembly No. 117-3879	19
Deck Connection Assembly	20
Deck Assembly	21
Spindle Assembly No. 119-8560	23
Deck Decal Assembly No. 119-4216	24
Rubber Deflector Assembly No. 108-7770	25
Idler Assembly	26
Engine and Clutch Assembly	27
Muffler and Guard Assembly	28
Fuel System Assembly	29
Electrical Assembly	30
Attachments and Accessories	31



Front Frame Assembly

Ref.	Part Number	Qty.	Description	Ref.	Part Number	Qty.	Description
1	114-1248	1	Frame ASM	14	323-29	2	Screw-HH
1:2	107-1857	1	Decal-Brake, Parking	15	117-0366	1	Plate-HOC, Outer
1:3	1-811010	2	Plug	15:2	107-1860	1	Decal-Height, Deck
1:4	302-19	5	Fitting-Grease	15:4	117-2718	1	Decal-Arrester, Spark
1:7	103-1918	1	Bushing	16	117-0369	1	Plate-HOC, Inner
3	106-9981	1	Footrest	16:2	107-1861	1	Decal-Height, Deck
3:2	106-7451	1	Decal	17	1-633082	1	Bushing-Lever, Lift
3:3	107-2112	1	Decal-Warning	18	1-633080	1	Bushing-Lever, Lift
4	103-1918	1	Bushing	19	323-11	1	Screw-HH
5	110-5860	1	Deck Lift Handle ASM	20	109-8757	1	Pin-HOC
5:1	1-633295	1	Grip-Lever, Lift	22	323-9	2	Screw-HH
5:2	103-2083	1	Lever-Lift	23	98-5975	12	Washer-Belleville
5:3	103-2064	1	Arm-Lift, Deck	24	3290-357	15	Nut-HHF, Whiz
5:4	1-633325	1	Spring-Compression	25	323-6	1	Screw-HH
5:5	3296-39	1	Nut-Lock, NI	26	323-7	12	Screw-HH
5:6	3256-24	1	Washer-Flat	27	3256-29	4	Washer-Flat
10	3296-39	7	Nut-Lock, NI	35		2	Front Frame Spring ASM ●
11	32151-103	5	Ring-Retaining, EXT	35:1	1-633096	1	Rod-Lift, Deck
12	1-633068	2	Arm-Lift, Deck	35:2	1-633441	2	Swivel-Deck Mount, Rear

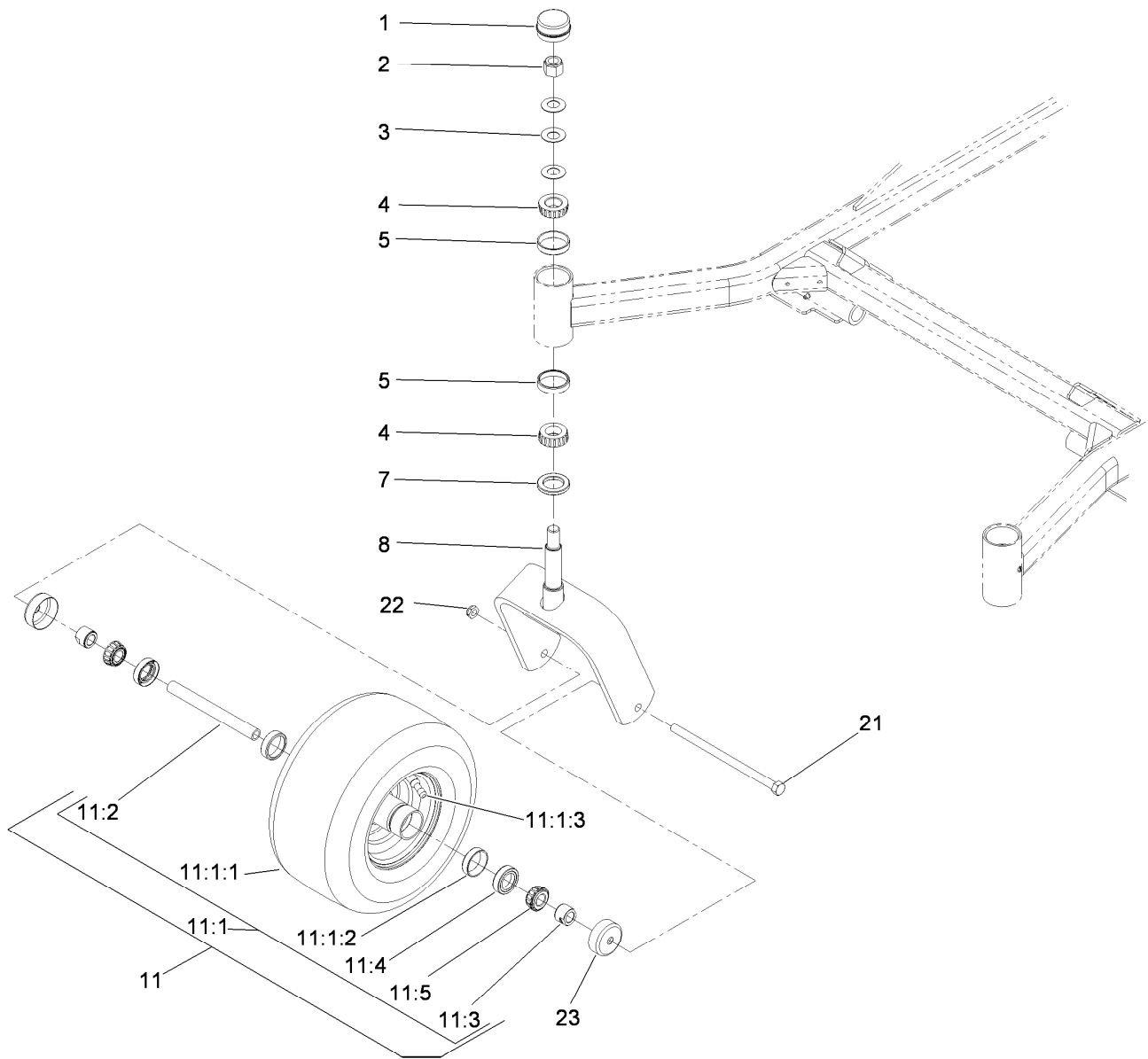
● Not serviced separately



Front Frame Assembly (continued)

Ref.	Part Number	Qty.	Description	Ref.	Part Number	Qty.	Description
35:3	3217-11	3	Nut-Hex	41	106-8984-01	1	LH Deck Lift ASM
35:4	3218-6	3	Nut-Jam	42	1-523157	2	Washer-Spacer
35:5	3256-7	2	Washer-Flat	43	32151-29	2	Ring-Retaining
35:6	1-643015	1	Spring-Support, Deck	44	3274-18	2	Screw-HSH
38	3274-94	4	Screw-HSBH	45	3218-2	2	Nut-Jam
40	108-7786-01	1	RH Front Deck Lift ASM	46	1-513658	2	Bumper

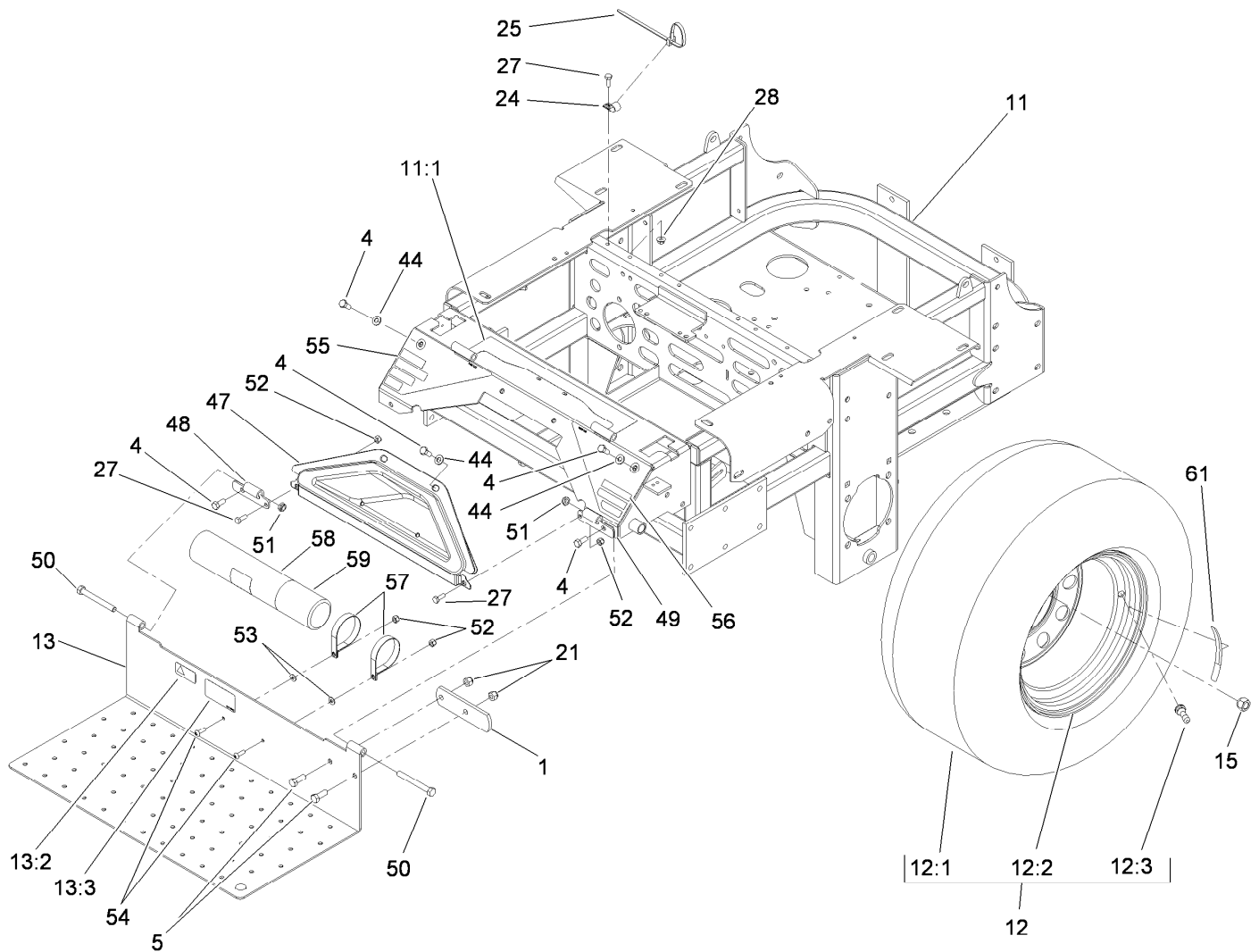
● Not serviced separately



Fork and Caster Wheel Assembly

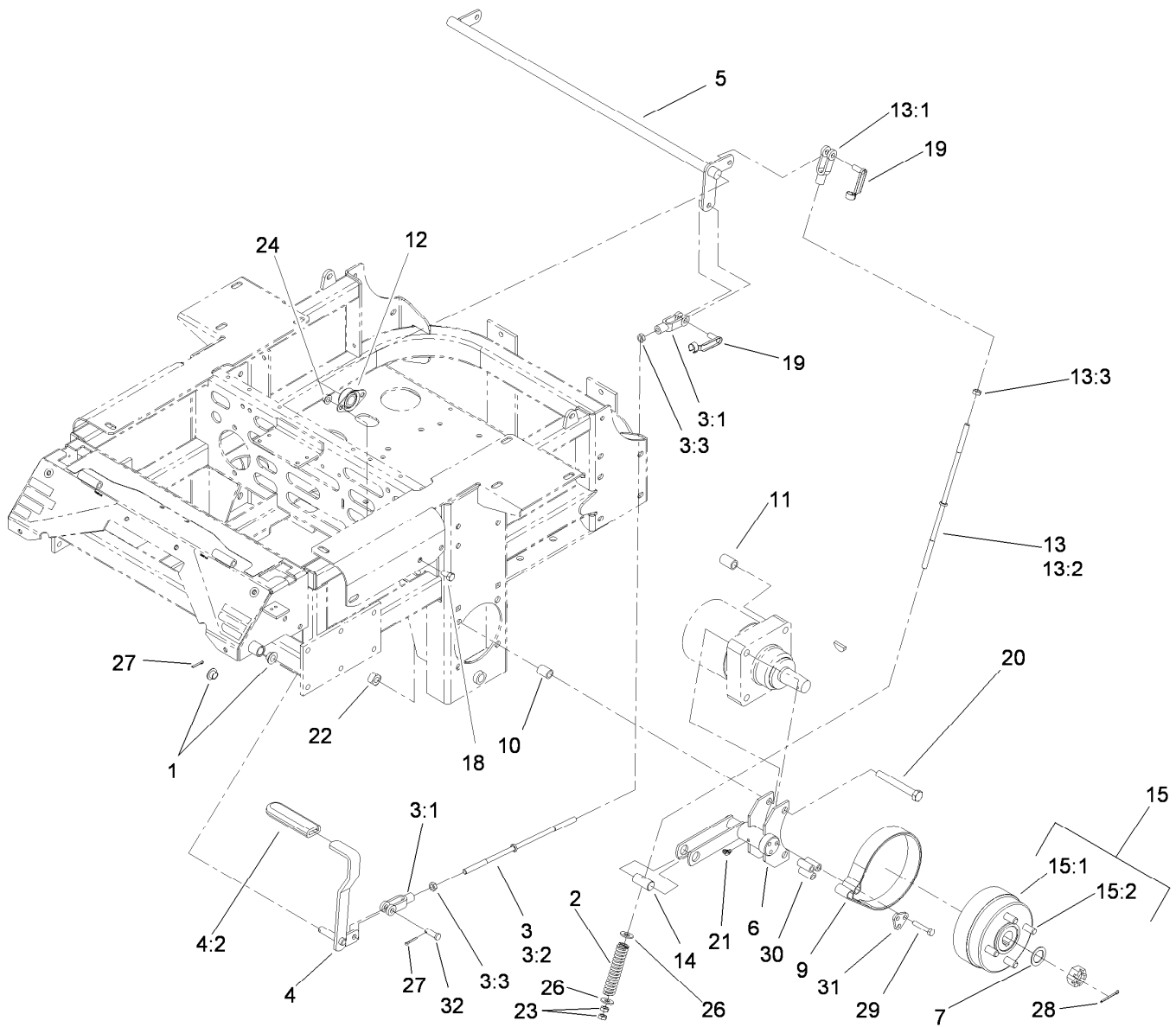
<i>Ref.</i>	<i>Part Number</i>	<i>Qty.</i>	<i>Description</i>	<i>Ref.</i>	<i>Part Number</i>	<i>Qty.</i>	<i>Description</i>
1	103-4882	2	Cap-Grease	11:1:2	1-633584	2	Bearing-Cup
2	3296-51	2	Nut-Lock, NI	11:1:3	5108	1	Valve
3	1-633508	6	Washer-Bellville	11:2	103-5156	1	Axle-Caster
4	254-94	4	Bearing-Cone, Tapered	11:3	103-3051	2	Spacer-Nut
5	254-72	4	Bearing-Cup, Tapered	11:4	103-0063	2	Seal-Caster
7	1-543511	2	Seal-Grease	11:5	1-633585	2	Bearing-Cone, Taper
8	103-1474-01	2	Caster-Fork	21	325-39	2	Screw-HH
11	103-5185	2	Wheel ASM	22	3296-23	2	Nut-Lock, NI
11:1		1	Wheel And Tire ASM ●	23	103-2768	4	Guard-Seal
11:1:1	1-523009	1	Tire				

● Not serviced separately



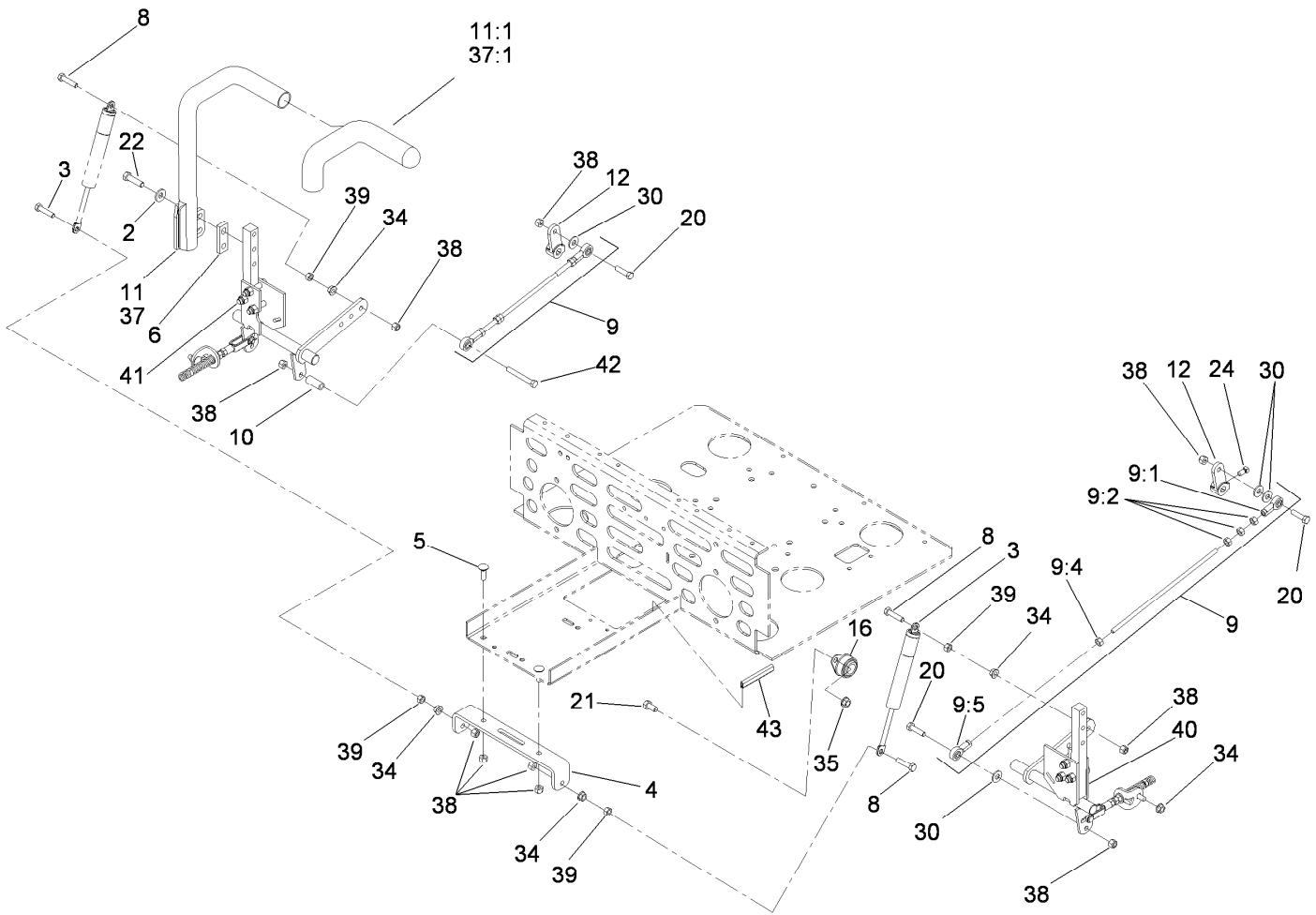
Main Frame and Rear Wheel Assembly

Ref.	Part Number	Qty.	Description	Ref.	Part Number	Qty.	Description
1	1-633964-03	1	Stop-Brake, Park	28	32128-33	1	Nut-HF
4	322-43	6	Screw-HH	44	3256-70	6	Washer-Flat
5	323-6	2	Screw-HH	47	106-7498	1	Pocket
11	114-1509	1	Frame ASM	48	106-7488-03	1	Hinge-Floorpan, LH
11:1	107-8076	1	Decal-Console, Top	49	106-7489-03	1	Hinge-Floorpan, RH
12	109-8972	2	Wheel And Tire ASM	50	323-20	2	Screw-HH
12:1	1-633993	1	Tire	51	3296-59	2	Nut-Lock, NI
12:2	109-3156	1	Rim ASM	52	3296-42	4	Nut-Lock, NI
12:3	232-27	1	Stem-Valve	53	3256-63	2	Washer-Flat
13	107-1858	1	Floorpan	54	3258-166	2	Screw-PRH
13:2	98-4387	1	Decal-Protection, Ear	55	106-9989	1	Decal-Warning
13:3	107-1864	1	Decal-Location, Manual	56	106-7492	1	Decal-Danger
15	242-50	8	Nut-Lug	57	107-1865	2	R-Clamp
21	3296-39	2	Nut-Lock, NI	58	104-7050	1	Tube-Manual
24	1-513762	1	Clip-Loom	59	104-7048	1	Cap-Housing
25	1-303335	2	Tie-Plastic	61	109-7949	2	Decal
27	321-4	3	Screw-HH				



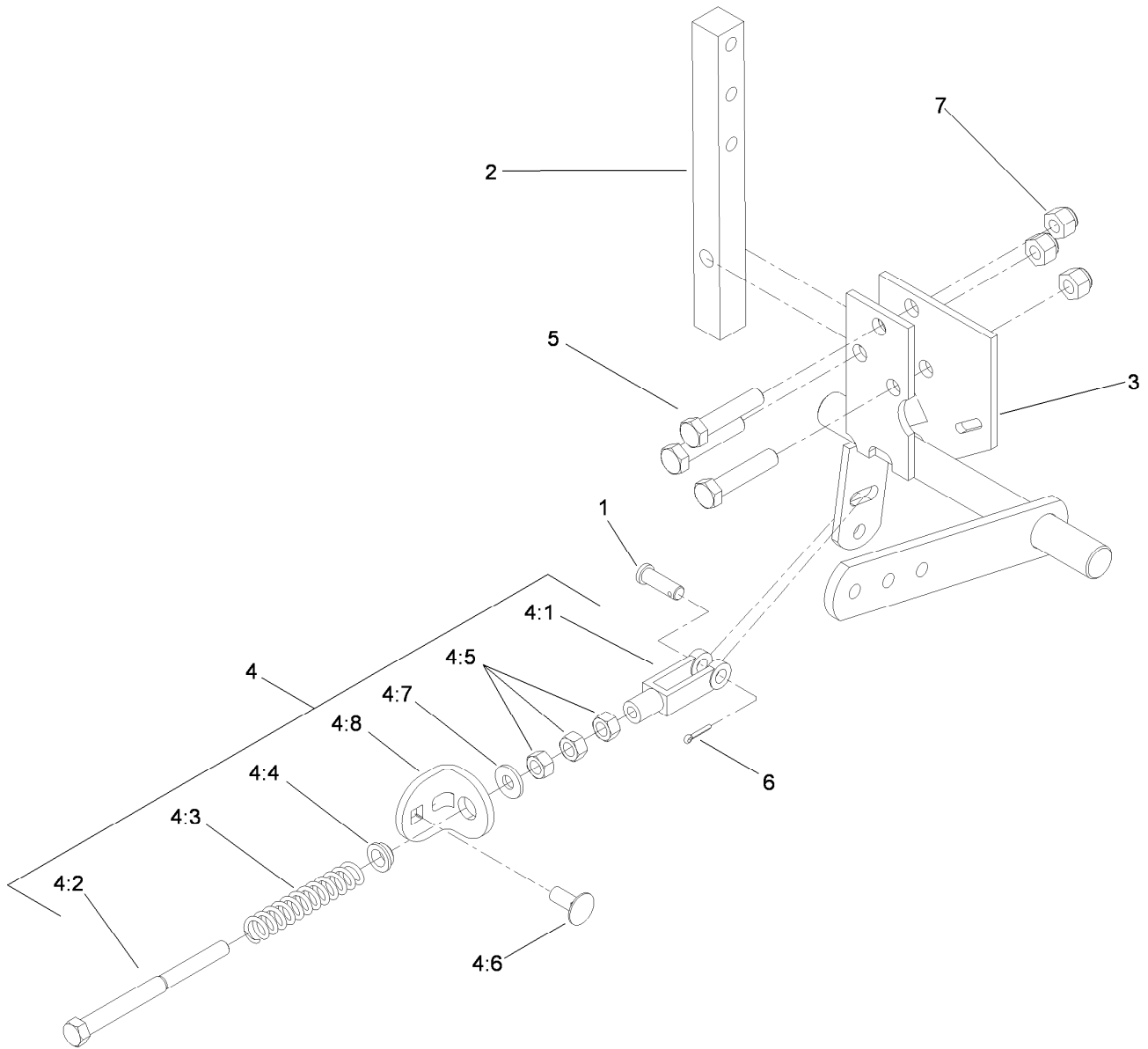
Brake and Wheel Hub Assembly

Ref.	Part Number	Qty.	Description	Ref.	Part Number	Qty.	Description
1	1-513140	2	Bearing-Control	14	1-633144	2	Pin-Trunion
2	1-633454	2	Spring-Brake	15	103-0590	2	Hub And Wheel ASM
3	103-4332	1	Brake Rod And Yoke ASM	15:1	103-0589	1	Wheel Hub ASM
3:1	1-633131	2	Yoke-Linkage, Brake	15:2	1-633926	4	Stud-Wheel
3:2	1-633477	1	Rod-Brake	18	323-4	4	Screw-HH
3:3	3219-3	2	Nut-Hex	19	103-2399	3	Pin-Spring, Clevis
4	1-634500	1	Brake Lever ASM	20	325-20	8	Screw-HH
4:2	1-633268	1	Grip-Lever	21	302-19	2	Fitting-Grease
5	1-632217-03	1	Shaft-Brake	22	109-5618	8	Nut-Square, Special
6	103-0354-03	2	Brake Bracket ASM	23	3219-3	4	Nut-Hex
7	1-523157	2	Washer-Spacer	24	3290-357	4	Nut-HHF, Whiz
9	103-0355	2	Band-Brake	26	3256-4	4	Washer-Flat
10	109-5011	4	Spacer-Wheel, Short	27	3272-10	2	Pin-Cotter
11	109-5012	4	Spacer-Wheel, Long	28	1-806800	2	Pin-Cotter
12	1-633102	2	Bearing-Flange, Side	29	322-9	6	Screw-HH
13	103-4333	2	Brake Rod And Yoke ASM	30	103-0384	6	Spacer
13:1	1-633131	1	Yoke-Linkage, Brake	31	103-0374	2	Retainer-Band, Brake
13:2	1-633477	1	Rod-Brake	32	1-808285	1	Pin-Clevis
13:3	3219-3	1	Nut-Hex				



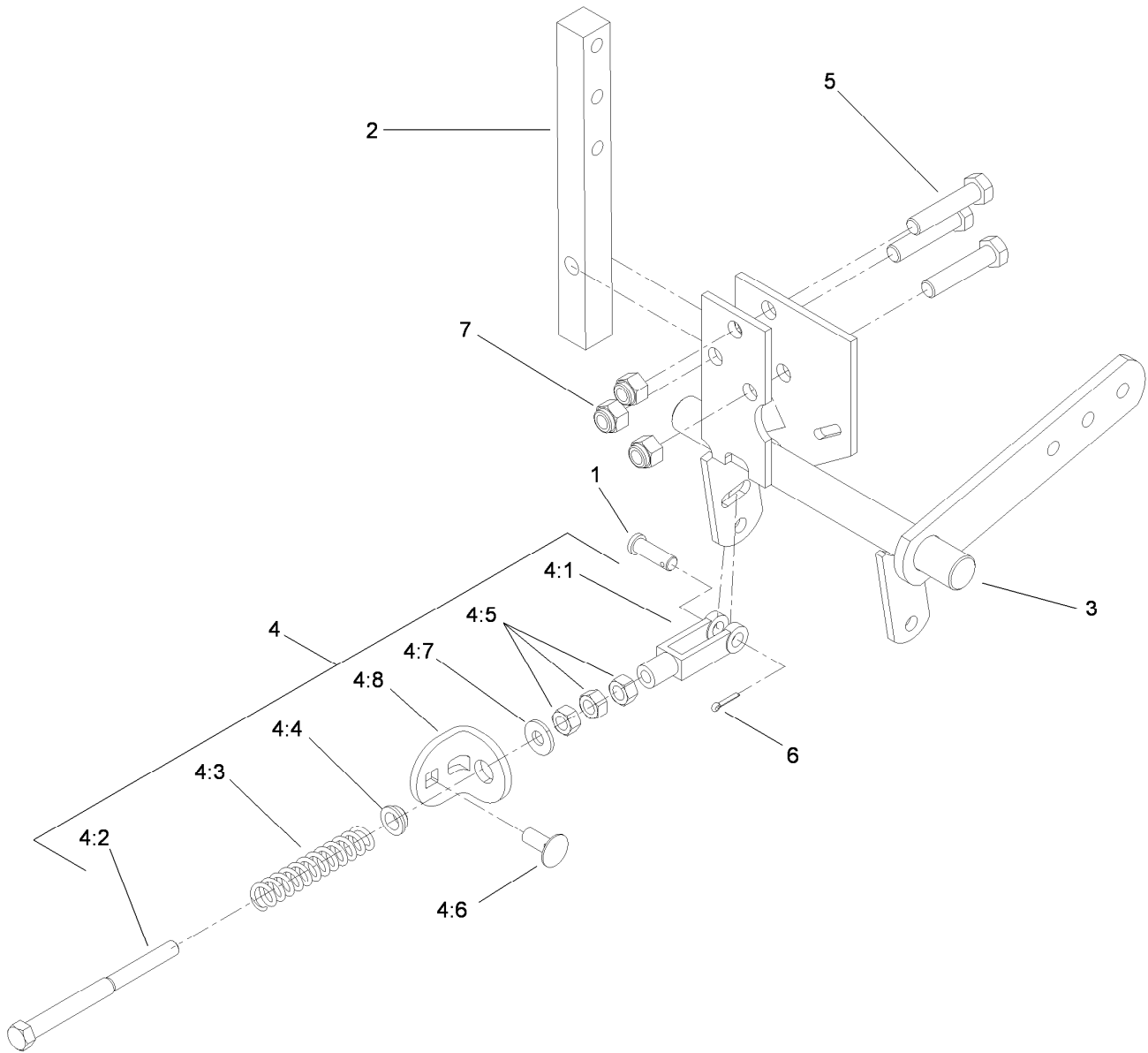
Motion Control Assembly

<i>Ref.</i>	<i>Part Number</i>	<i>Qty.</i>	<i>Description</i>	<i>Ref.</i>	<i>Part Number</i>	<i>Qty.</i>	<i>Description</i>
2	98-5975	4	Washer-Belleville	20	322-6	3	Screw-HH
3	109-2339	2	Damper-Control, Motion	21	323-4	8	Screw-HH
4	109-6058-03	1	Bracket-Mount, Damper	22	323-29	4	Screw-HH
5	3230-2	2	Bolt-CARR	24	1-803022	2	Screw-Set
6	117-0948-03	2	Spacer, Control Lever	30	3256-3	4	Washer-Flat
8	1-403180	4	Screw-HH	34	32128-20	6	Nut-HF
9	103-4331	2	Tracking Rod ASM	35	3290-357	8	Nut-HHF, Whiz
9:1	1-543017	1	Balljoint-RH	37	108-7237	1	RH Lever ASM
9:2	3219-2	3	Nut-Hex	37:1	106-9987	1	Grip-Control, Motion
9:4	1-804524	1	Nut	38	3296-29	10	Nut-Lock, NI
9:5	1-633152	1	Balljoint-LH	39	3217-6	4	Nut-Hex
10	103-0384	1	Spacer	40	109-3906	1	LH Motion Control ASM
11	108-7238	1	LH Lever ASM	41	109-3907	1	RH Motion Control ASM
11:1	106-9987	1	Grip-Control, Motion	42	322-12	1	Screw-HH
12	1-632208	2	Arm-Control, Pump	43	105-7699	1	Strip-Seal
16	1-633102	4	Bearing-Flange, Side				



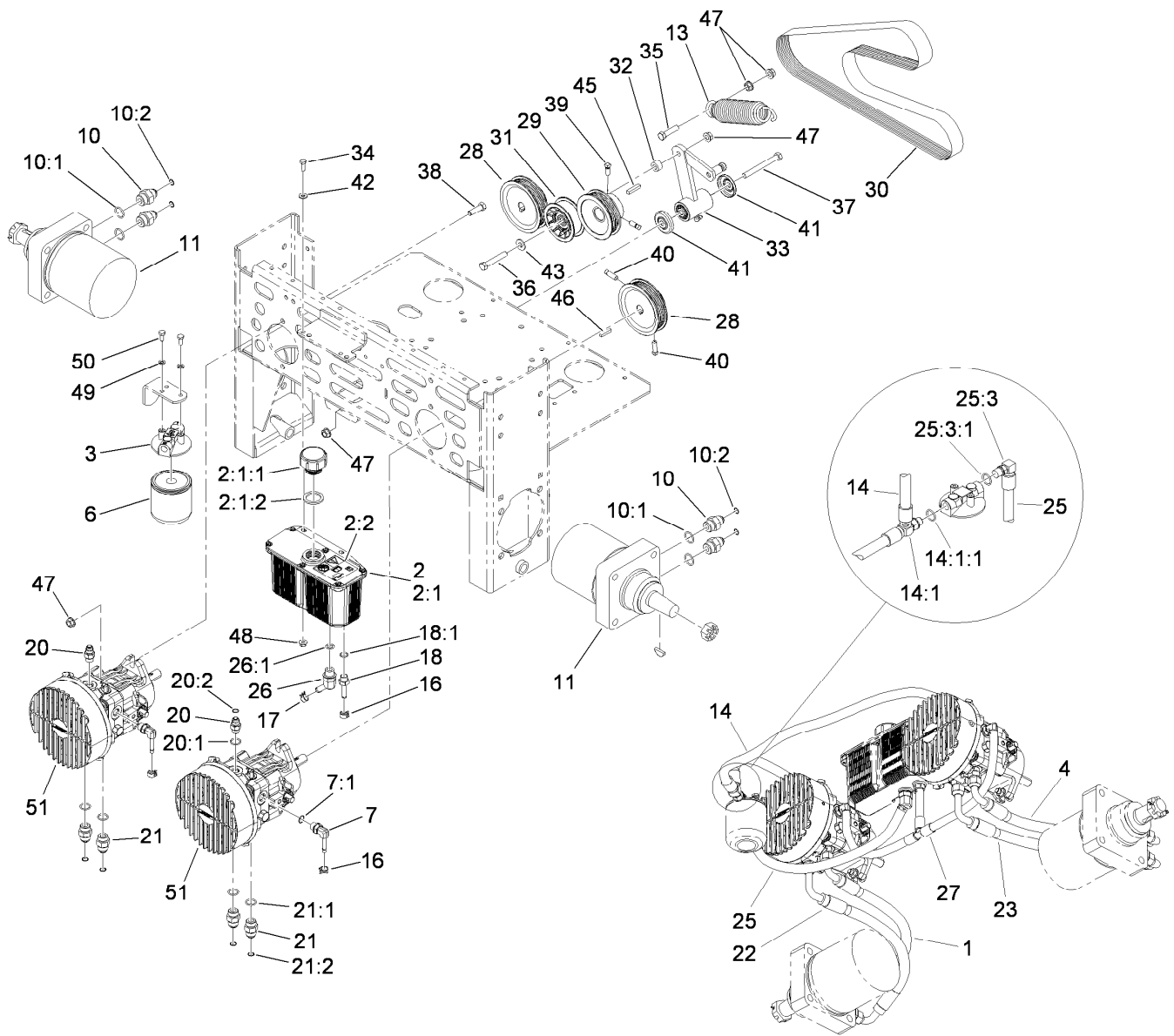
LH Motion Control Assembly No. 109-3906

Ref.	Part Number	Qty.	Description
1	1-808280	1	Pin-Clevis
2	103-0407	1	Arm-Shaft, Control
3	109-3902	1	Control-Motion, LH
4	109-3903	1	Neutral Return ASM
4:1	1-303105	1	Yoke-Adjustable
4:2	1-603737	1	Bolt-Return, Neutral
4:3	1-603807	1	Spring-Return, Neutral
4:4	109-3769	1	Bushing-Nylon, Flanged
4:5	3219-2	3	Nut-Hex
4:6	3230-23	1	Screw-CARR
4:7	3256-2	1	Washer-Flat
4:8	109-3908	1	Tab-Adjustment
5	323-9	3	Screw-HH
6	3272-5	1	Pin-Cotter
7	3296-39	3	Nut-Lock, NI



RH Motion Control Assembly No. 109-3907

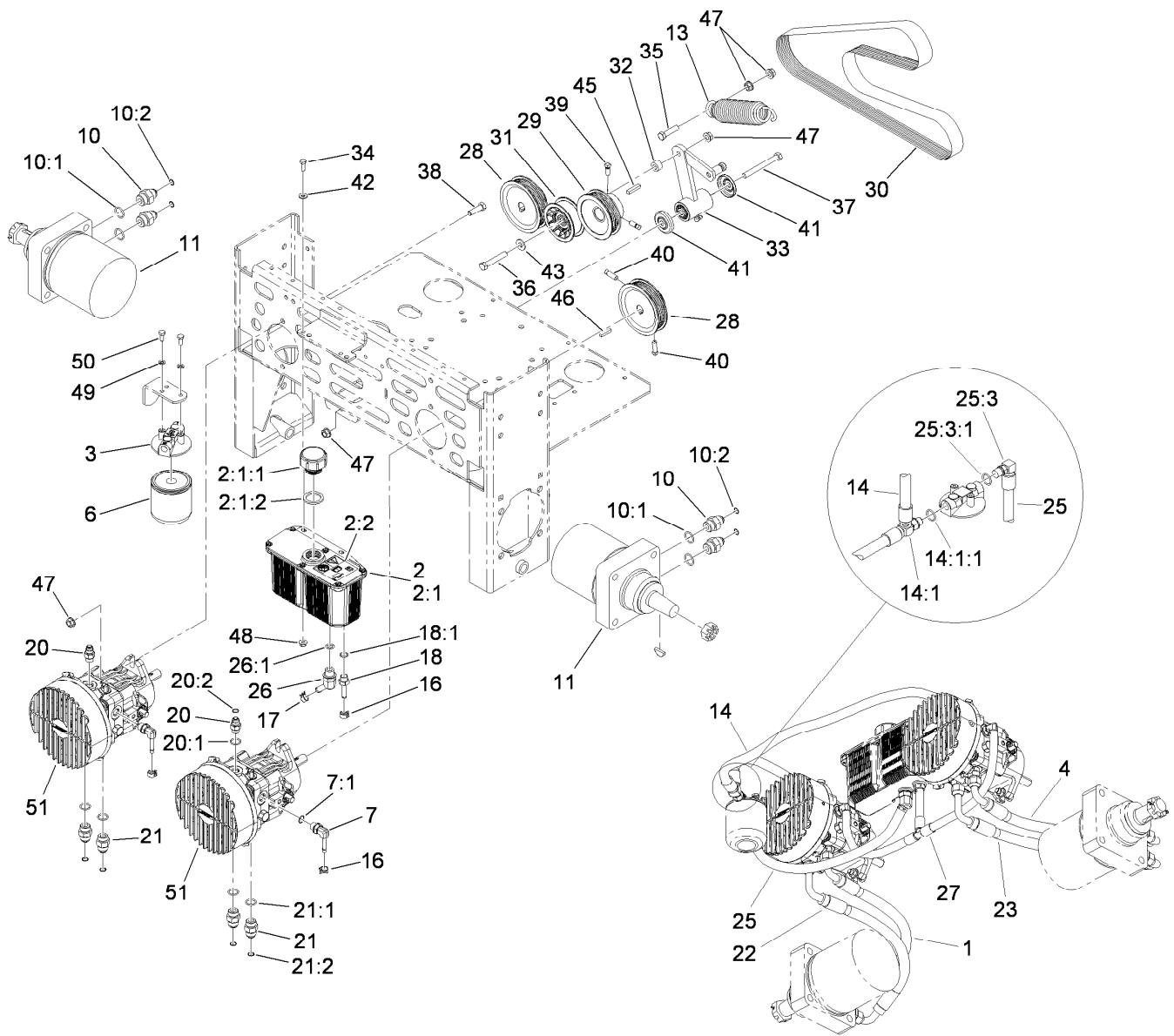
Ref.	Part Number	Qty.	Description
1	1-808280	1	Pin-Clevis
2	103-0407	1	Arm-Shaft, Control
3	109-3901	1	Control-Motion, RH
4	109-3903	1	Neutral Return ASM
4:1	1-303105	1	Yoke-Adjustable
4:2	1-603737	1	Bolt-Return, Neutral
4:3	1-603807	1	Spring-Return, Neutral
4:4	109-3769	1	Bushing-Nylon, Flanged
4:5	3219-2	3	Nut-Hex
4:6	3230-23	1	Screw-CARR
4:7	3256-2	1	Washer-Flat
4:8	109-3908	1	Tab-Adjustment
5	323-9	3	Screw-HH
6	3272-5	1	Pin-Cotter
7	3296-39	3	Nut-Lock, NI



Hydraulic Assembly

Ref.	Part Number	Qty.	Description	Ref.	Part Number	Qty.	Description
1	109-2964	1	Hose-RH, Upper	14:1:1	237-42	1	O-Ring
2	107-8433	1	HYD Reservoir ASM	16	103-1716	3	Clamp-Hose
2:1		1	Reservoir-HYD ●	17	103-1988	1	Clamp-Hose
2:1:1	103-1948	1	Cap-Reservoir, HYD	18	103-1801	1	Adapter-Straight
2:1:2	103-1949	1	Gasket-Cap	18:1	237-42	1	O-Ring
2:2	115-4212	1	Decal-Warning	20	103-2156	2	Fitting-Straight
3	104-7836	1	Head-Filter	20:1	1-603921	1	O-Ring
4	109-2962	1	Hose-LH, Upper	20:2	103-1020	1	O-Ring
6	1-633750	1	Filter-Oil, HYD	21	1-603990	4	Fitting-Straight
6	1-633752	1	Filter-HYD, Winter	21:1	1-603920	1	O-Ring
7	103-1799	2	Elbow-90 DEG	21:2	1-603992	1	O-Ring
7:1	237-42	1	O-Ring	22	109-2961	1	Hose-RH, Lower
10	1-603991	4	Fitting-Straight	23	109-2963	1	Hose-LH, Lower
10:1	237-80	1	O-Ring	25	109-7689	1	HYD Hose ASM
10:2	1-603992	1	O-Ring	25:3		1	Fitting-Barbed, 90 DEG ●
11	1-523328	2	Motor-Wheel	25:3:1	237-42	1	O-Ring
13	116-0133	1	Extension-Spring	26	103-1807	1	Fitting-Barbed, 45 DEG
14	109-6273	1	HYD Hose ASM	26:1	237-42	1	O-Ring
14:1		1	Adapter-Run, Tee ●	27	103-1806	1	HYD Hose ASM

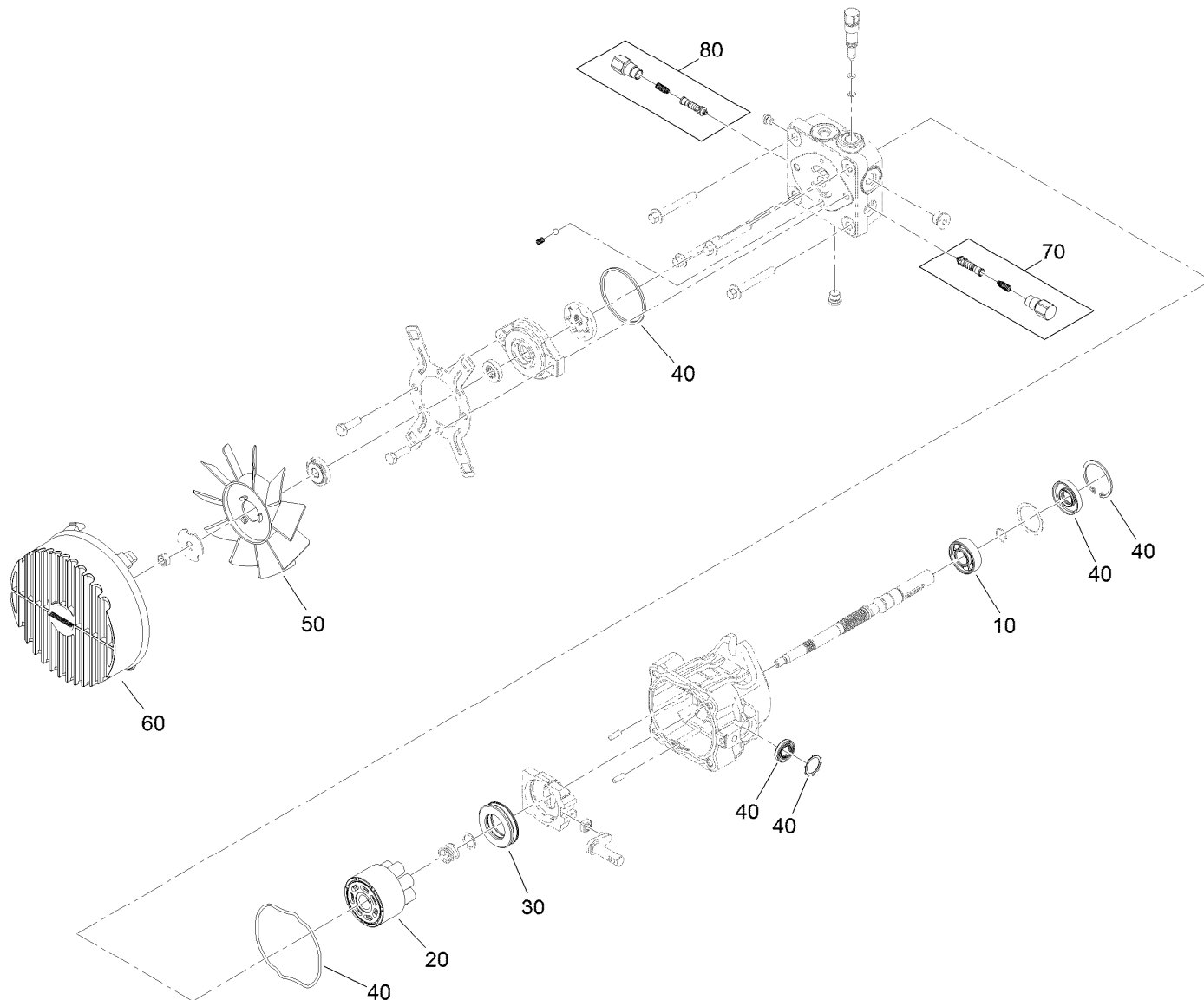
● Not serviced separately



Hydraulic Assembly (continued)

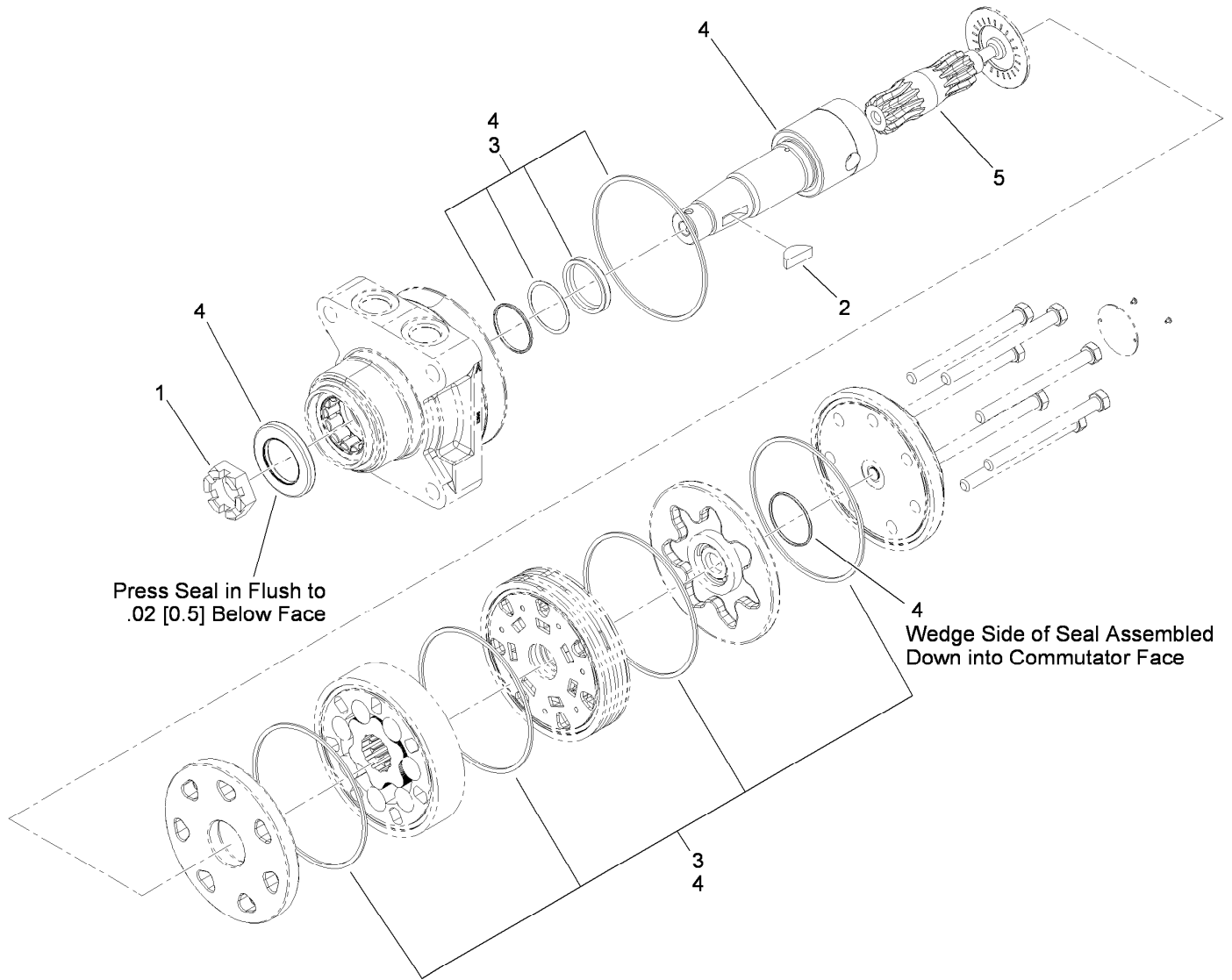
<i>Ref.</i>	<i>Part Number</i>	<i>Qty.</i>	<i>Description</i>	<i>Ref.</i>	<i>Part Number</i>	<i>Qty.</i>	<i>Description</i>
28	109-6046	2	Sheave	40	30-1710	4	Screw
29	109-7738	1	Sheave	41	103-2916	2	Guard-Top
30	114-1512	1	Belt	42	3256-22	2	Washer-Flat
31	109-4076	1	Pulley-Flat Idler	43	3256-4	1	Washer-Flat
32	1-603050	1	Spacer	45	13-2840	1	Key-Square
33	103-5679	1	Pump Idler ASM	46	5-1077	2	Key-Square
34	321-6	2	Screw-HH	47	3290-357	8	Nut-HHF, Whiz
35	323-8	1	Screw-HH	48	32128-33	2	Nut-HF
36	323-11	1	Screw-HH	49	1-805004	2	Washer-Lock
37	1-800805	1	Screw-HH	50	321-3	2	Screw-HH
38	323-7	4	Screw-HH	51	116-2445	2	Pump-HYD
39	1-803050	2	Screw-Set				

● Not serviced separately



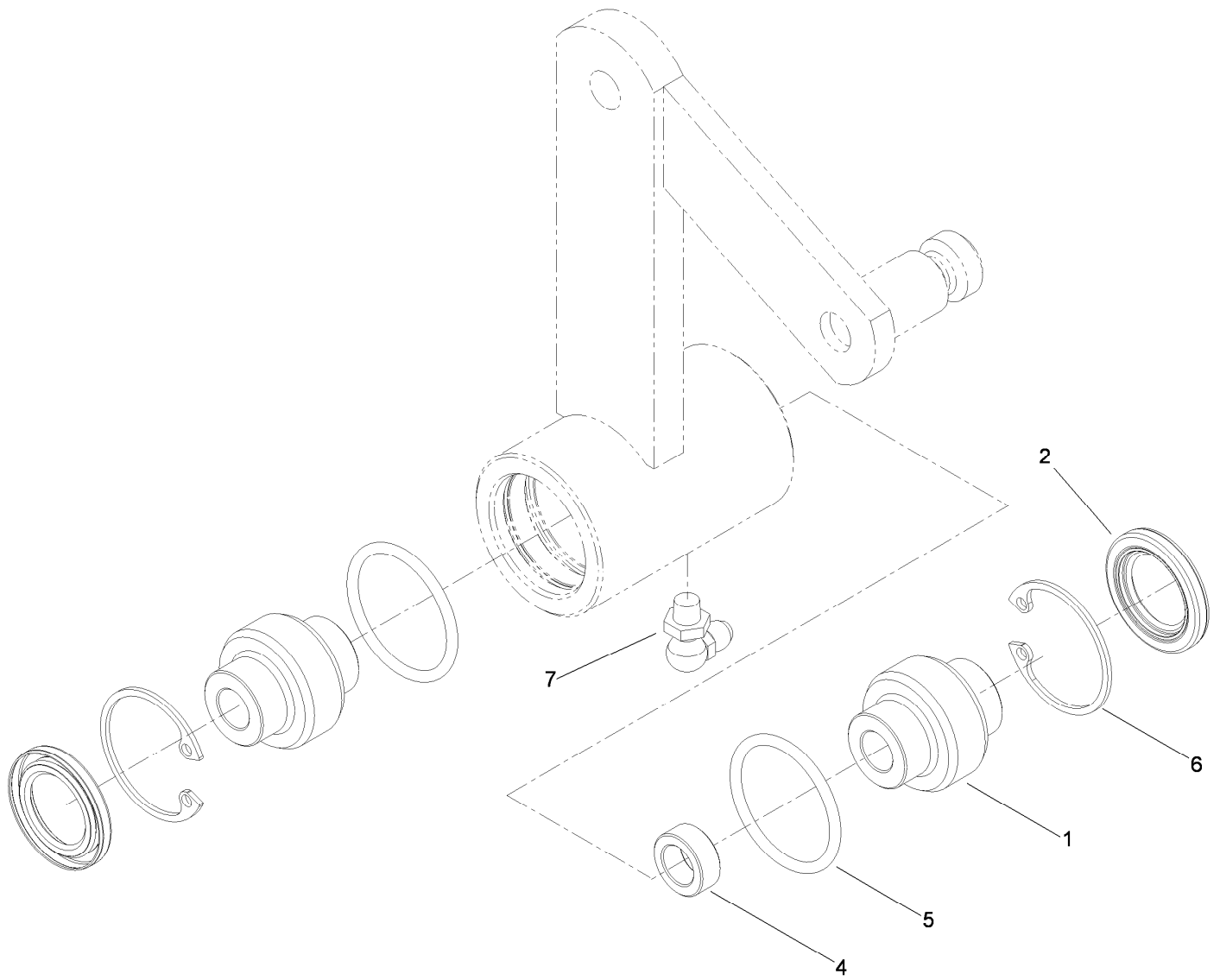
Hydraulic Pump Assembly No. 116-2445

<i>Ref.</i>	<i>Part Number</i>	<i>Qty.</i>	<i>Description</i>
10	104-5311	1	Bearing-Ball
20	103-7443	1	Cylinder Block Kit
30	94-6922	1	Bearing-Thrust
40	105-6184	1	Seal Overhaul Kit
50	103-7488	1	Pump-Cooling
60	103-7489	1	Guard-Pump
70	103-2672	1	Valve-Shock
80	112-4155	1	Shock Valve Kit



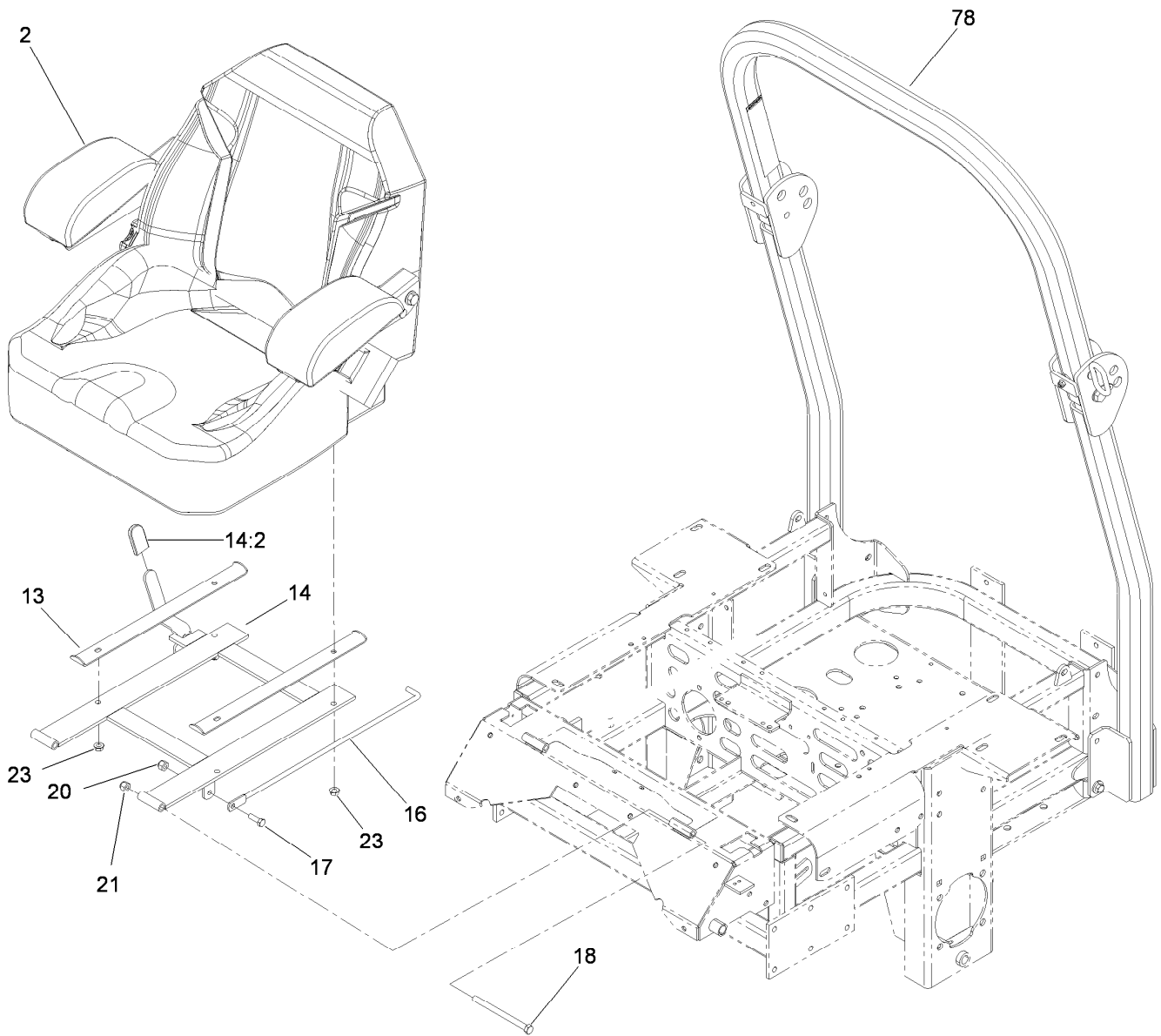
Hydraulic Wheel Motor No. 1-523328

<i>Ref.</i>	<i>Part Number</i>	<i>Qty.</i>	<i>Description</i>
1	1-809036	1	Nut-HH
2	3257-42	1	Key-Woodruff
3	103-6994	1	Seal Kit
4	103-6995	1	Output Shaft And Seals Kit
5	103-2748	1	Drive Link Kit



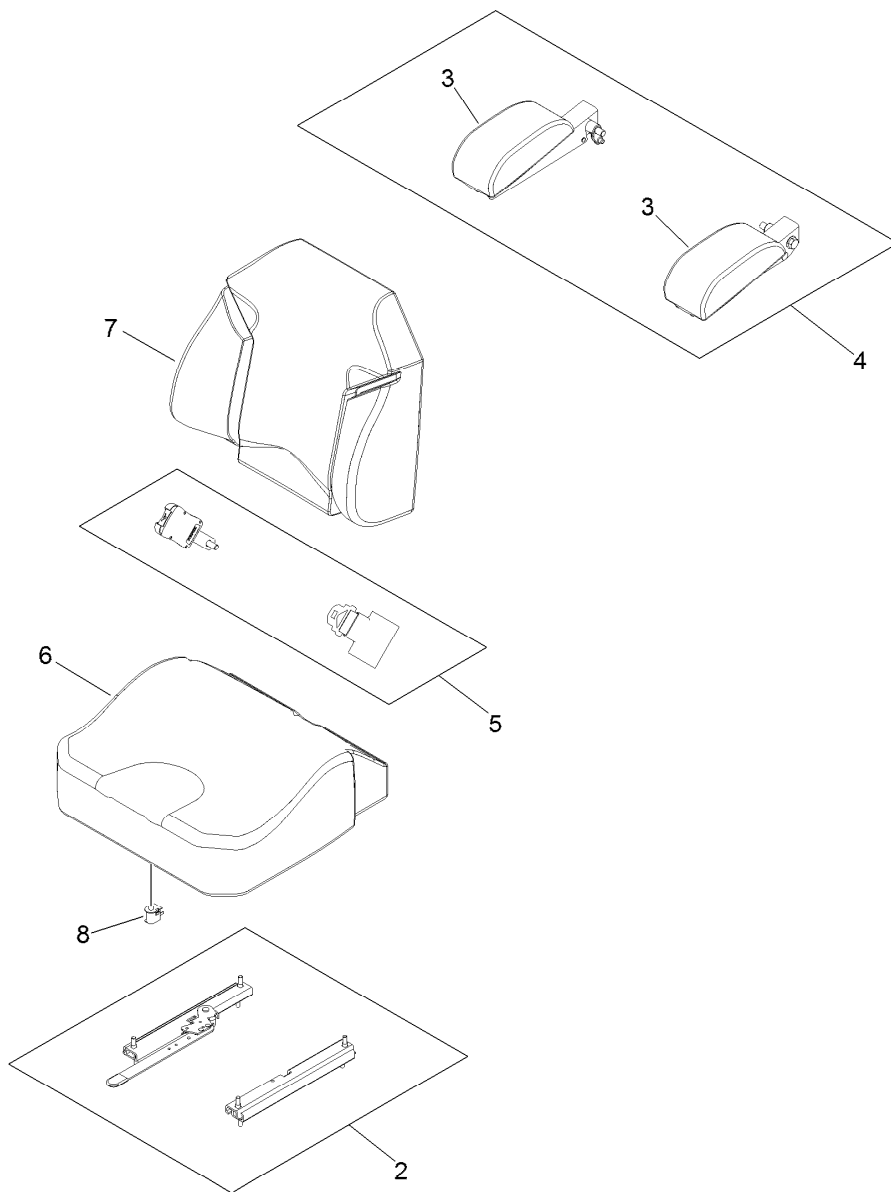
Pump Idler Assembly No. 103-5679

<i>Ref.</i>	<i>Part Number</i>	<i>Qty.</i>	<i>Description</i>
1	103-3504	2	Bearing-Spherical
2	103-3506	2	Seal-Single Lip
4	103-5677	1	Spacer
5	106-7159	2	O-Ring
6	32120-10	2	Ring-Snap
7	302-40	1	Fitting-Grease



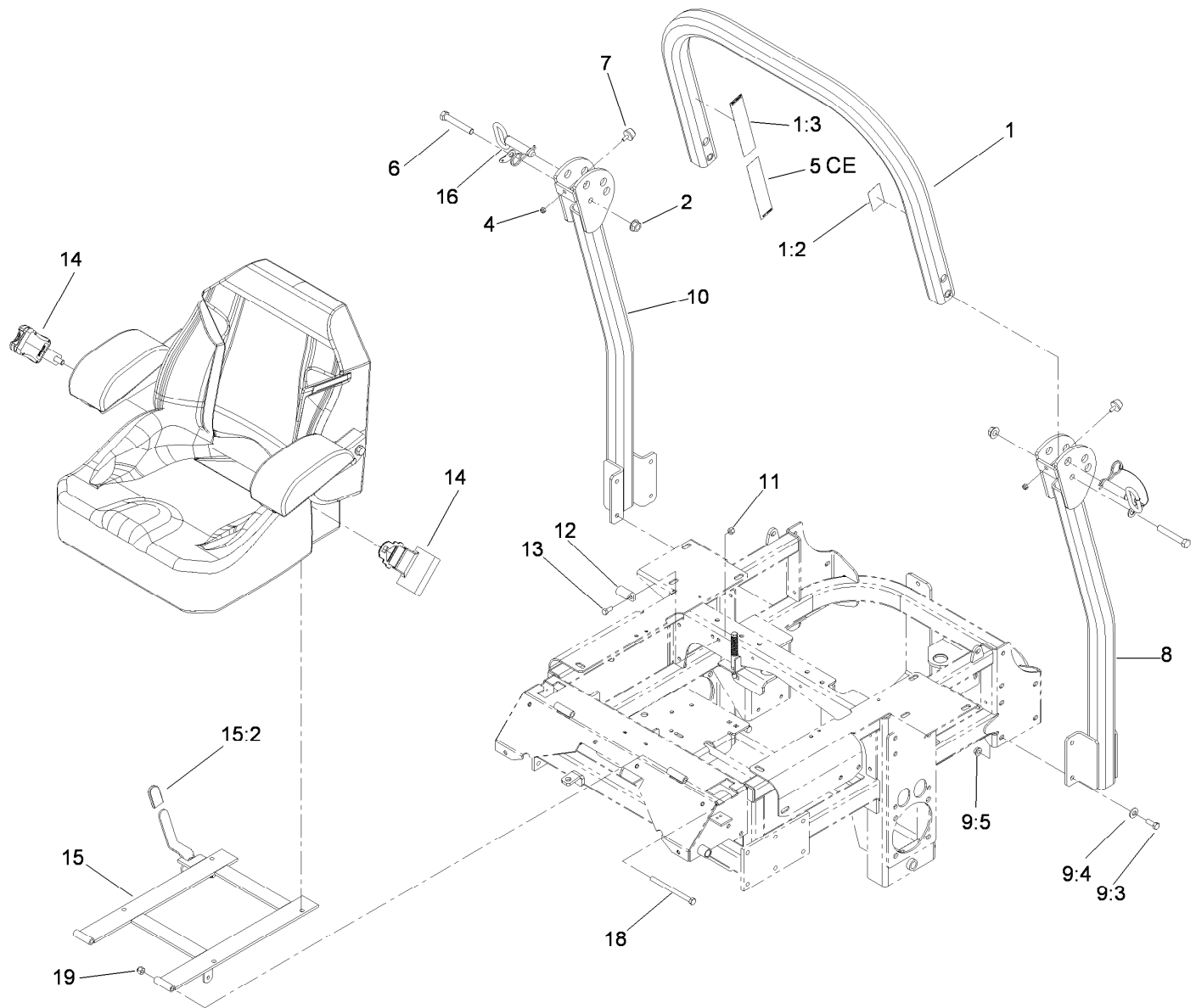
Seat and Roll-Over Protection System Assembly

<i>Ref.</i>	<i>Part Number</i>	<i>Qty.</i>	<i>Description</i>
2	116-0035	1	Seat-Standard
13	1-633872-03	2	Stop-Seat
14	110-5850	1	Seat Frame And Latch ASM
14:2	103-4434	1	Grip-Lever
16	1-633293	1	Rod-Holdup, Seat
17	322-5	1	Screw-HH
18	323-39	2	Screw-HH
20	3296-29	3	Nut-Lock, NI
21	3296-39	2	Nut-Lock, NI
23	32128-20	4	Nut-HF
78	117-3879	1	ROPS Kit



Seat Assembly No. 116-0035

<i>Ref.</i>	<i>Part Number</i>	<i>Qty.</i>	<i>Description</i>
2	109-9801	1	Seat Track Set
3	109-9802	1	Arm Rest Pad Set
4	109-9803	1	Arm Rest Set
5	109-9805	1	Seat Belt Kit
6	109-9806	1	Cover-Cushion
7	109-9808	1	Cover-Back
8	82-2190	1	Switch-Bail

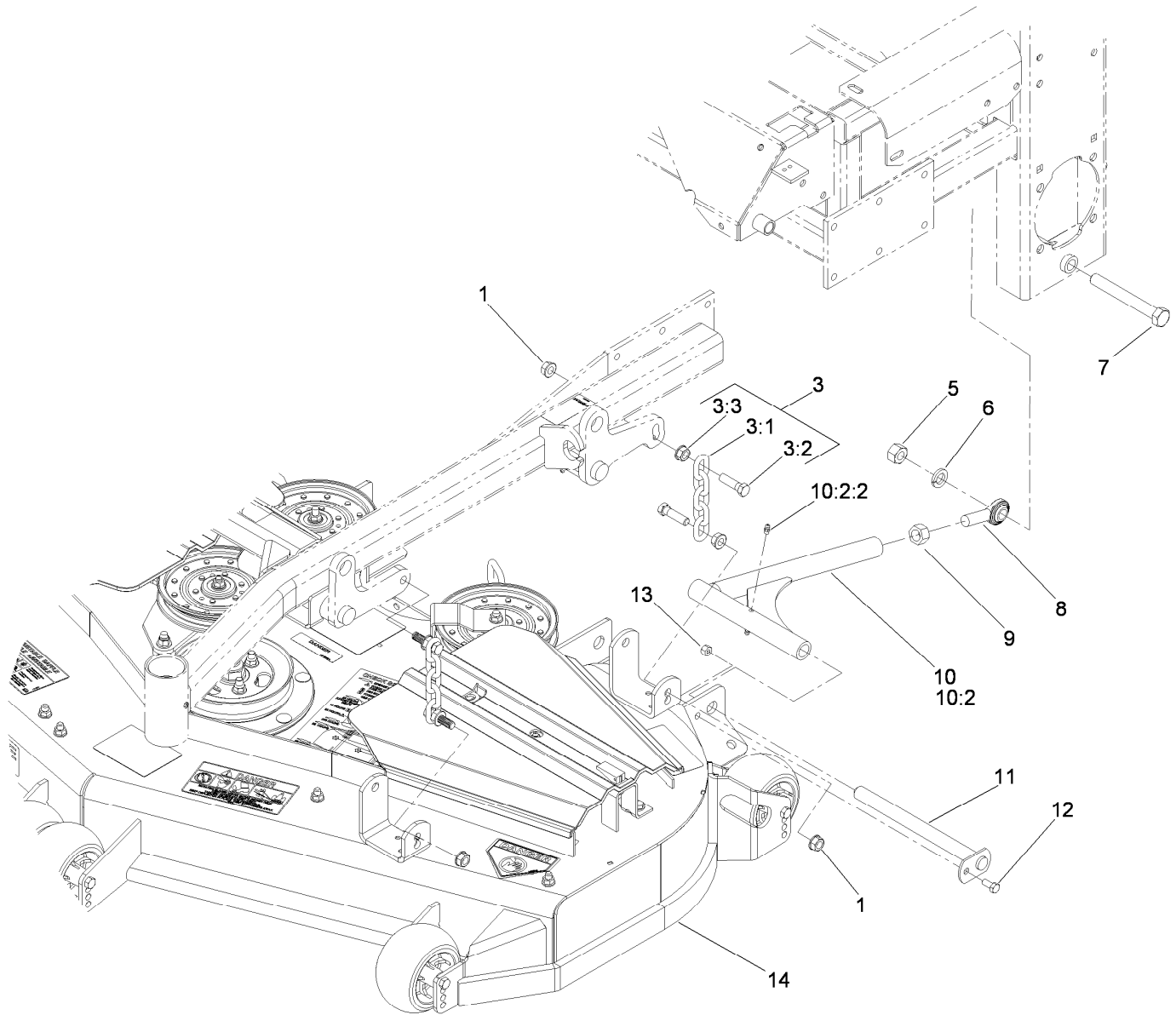


Roll-Over Protection System Assembly No. 117-3879

Ref.	Part Number	Qty.	Description	Ref.	Part Number	Qty.	Description
1		1	Upper Tube ASM ■	9:3	323-6	8	Screw-HH
1:2	107-2101	1	Decal-ROPS	9:4	98-5975	8	Washer-Belleville
1:3	107-2102	1	Decal-Warning, Folding ROPS	9:5	3290-357	8	Nut-HHF, Whiz
2	32128-23	2	Nut-HF	10		1	Tube-Support, RH ■
4	3296-73	2	Nut-Lock, NI	11	3296-29	2	Nut-Lock, NI
5	107-3069	1	Decal-Warning, Folding ROPS	12	107-3058	1	Catch-Latch, Seat
6	325-13	2	Screw-HH	13	322-3	2	Screw-HH
7	109-2365	2	Rubber Bumper ASM (W/Stud)	14	109-9805	1	Seat Belt Kit
8		1	Tube-Support, LH ■	15	110-5850	1	Seat Frame And Latch ASM
9		1	Bag-Bolt, ROPS ●■	15:2	103-4434	1	Grip-Lever
				16	103-4553	2	ROPS Fold Pin ASM
				18	323-39	2	Screw-HH
				19	3296-39	2	Nut-Lock, NI

● Not illustrated

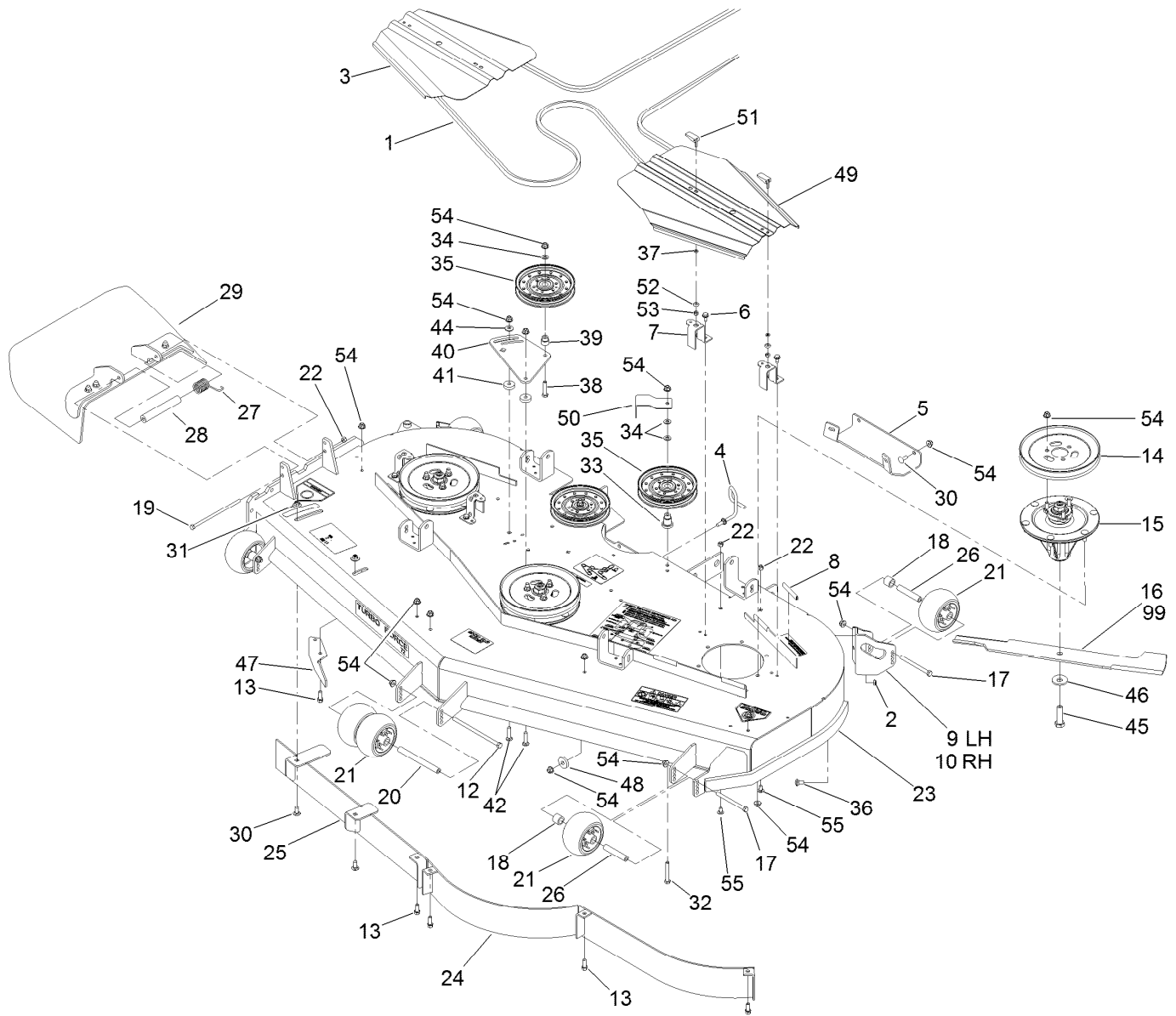
■ Not serviced separately



Deck Connection Assembly

<i>Ref.</i>	<i>Part Number</i>	<i>Qty.</i>	<i>Description</i>	<i>Ref.</i>	<i>Part Number</i>	<i>Qty.</i>	<i>Description</i>
1	32128-37	8	Nut-HF	9	3219-6	2	Nut-Hex
3	103-9792	4	Deck Chain ASM	10	109-1181	2	Strut-Deck
3:1	1-633447	1	Chain-Lift, Deck	10:2		1	Tube And Zerk ASM ●
3:2	103-1898	2	Screw-HH	10:2:2	109-1380	2	Fitting-Grease
3:3	32128-37	2	Nut-HF	11	1-632199-01	2	Pin-Strut
5	3217-11	2	Nut-Hex	12	322-3	2	Screw-HH
6	3253-8	2	Washer-Lock	13	3296-29	2	Nut-Lock, NI
7	327-11	2	Screw-HH	14		1	Deck ASM ●
8	1-633029	2	Balljoint-Spherical				

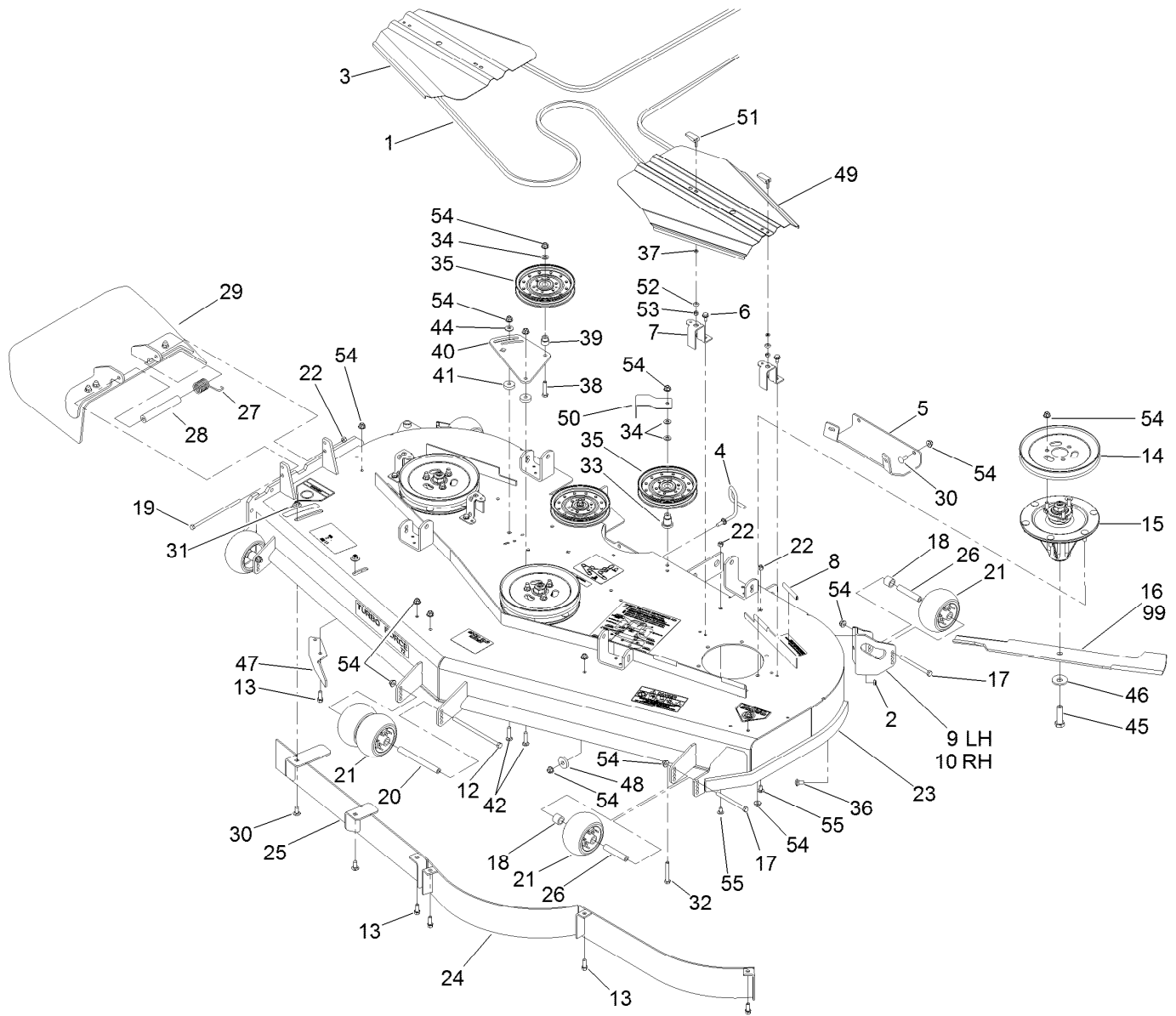
● Not serviced separately



Deck Assembly

Ref.	Part Number	Qty.	Description	Ref.	Part Number	Qty.	Description
1	106-7350	1	Belt	21	1-603299	6	Roller-Scalp, Anti
2	3296-59	6	Nut-Lock, NI	22	3296-29	3	Nut-Lock, NI
3	112-8667-03	1	Cover-Belt, RH	23	119-4216	1	Deck Decal ASM
4	106-3220	1	Guide-Belt	24	105-7730-01	1	Baffle ASM
5	106-3279-01	1	Plate-Skid	25	115-7465-01	1	Baffle ASM
6	32144-70	4	Screw-HWHTF	26	98-7912	4	Tube-Spanner
7	119-4220-01	4	Bracket-Cover	27	108-4052	1	Spring-Torsion
8	105-7699	8	Strip-Seal	28	105-4622	1	Spacer
9	106-7354-01	1	Mount-Wheel, LH	29	108-7770	1	Rubber Deflector ASM
10	106-7355-01	1	Mount-Wheel, RH	30	3231-27	6	Screw-CARR
12	323-28	1	Screw-HH	31	109-6658	2	Nut-Flange, NI
13	92-1624	6	Screw-HWH	32	323-12	2	Screw-HH
14	105-7733	3	Pulley	33	106-3214	2	Mount-Pulley
15	119-8560	3	Spindle ASM	34	3256-24	4	Washer-Flat
16	105-7784-03	3	Blade-Hi Flow, 24.5 Inch	35	1-633109	3	Idler-Flat
17	323-23	4	Screw-HH	36	3231-1	6	Screw-CARR
18	98-7913	4	Tube-Spacer	37	99-3058	4	Washer
19	322-50	1	Screw-HH	38	323-9	1	Screw-HH
20	98-5967	1	Spacer-Wheel	39	1-603496	1	Bushing-Idler

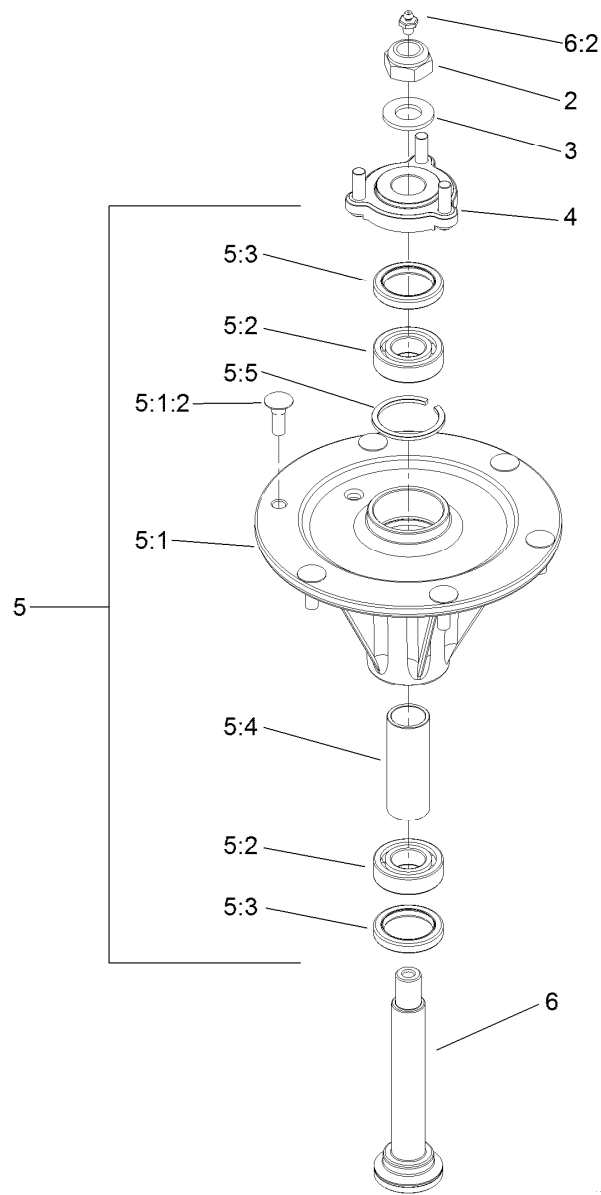
● Optional Equipment



Deck Assembly (continued)

<i>Ref.</i>	<i>Part Number</i>	<i>Qty.</i>	<i>Description</i>	<i>Ref.</i>	<i>Part Number</i>	<i>Qty.</i>	<i>Description</i>
40	105-7787-01	1	Plate-Idler	51	106-6777	4	Handle-Latch, Swell
41	105-7788	2	Spacer	52	106-6778	4	Bushing-Latch, Swell
42	3231-4	2	Screw-CARR	53	1-804254	4	Nut-Lock, HH
44	98-5975	1	Washer-Belleville	54	104-8301	48	Nut-Flange, NI
45	51-4060	3	Screw-Blade	55	3230-18	2	Screw-CARR
46	103-0865	3	Washer-Blade Bolt, Heavy	99	105-7711-03	3	Blade-Mid Flow, 24.5 Inch ●
47	106-3216-01	1	Baffle-Discharge	99	105-7712-03	3	Blade-Lo Flow, 24.5 Inch ●
48	112843	1	Washer	99	105-7719-03	3	Blade-Atomic, 24.5 Inch ●
49	112-8666-03	1	Cover-Belt, LH	99	105-7778-03	3	Blade-Recycler, 24.5 Inch ●
50	108-7220-01	1	Guide-Belt				

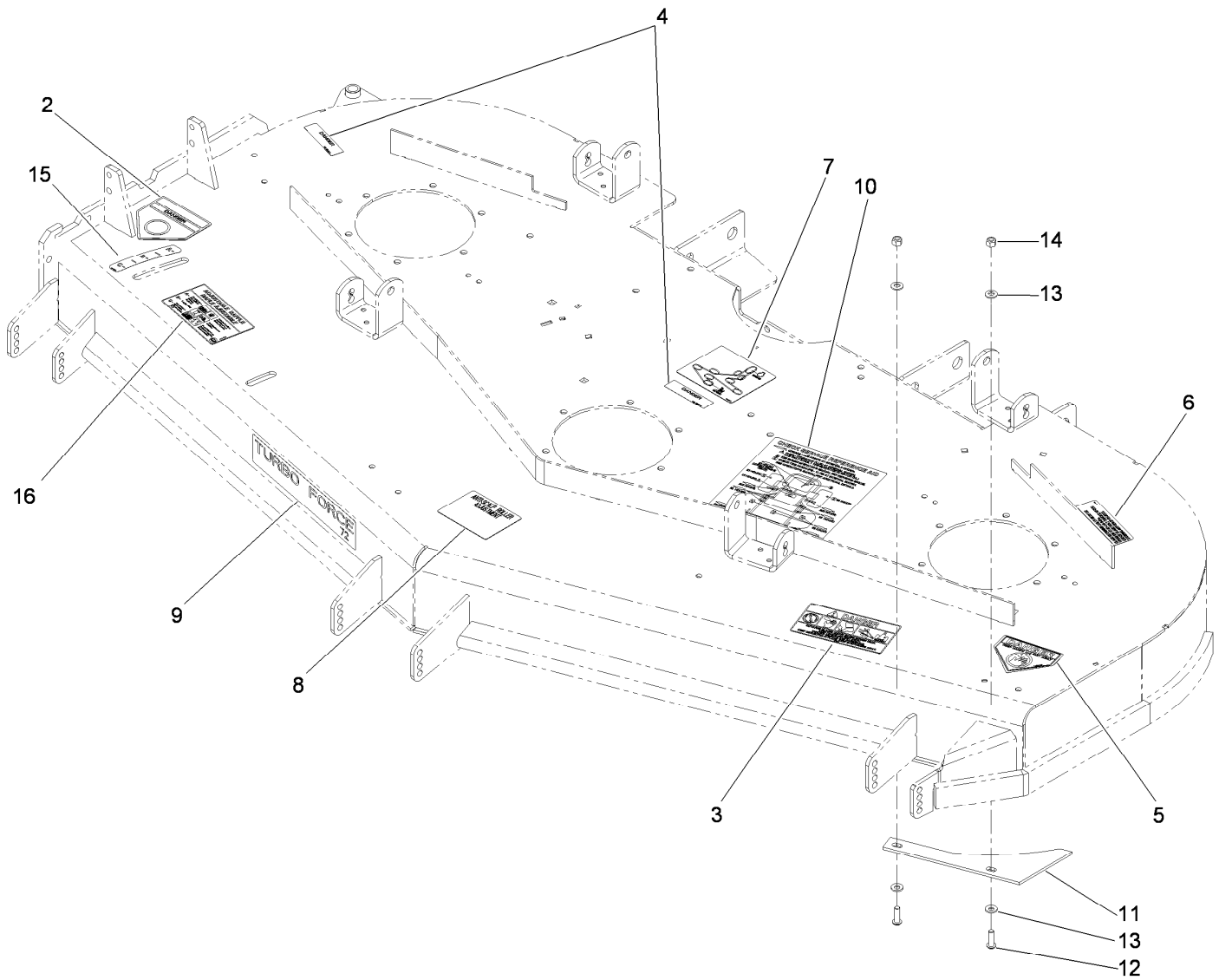
● Optional Equipment



Spindle Assembly No. 119-8560

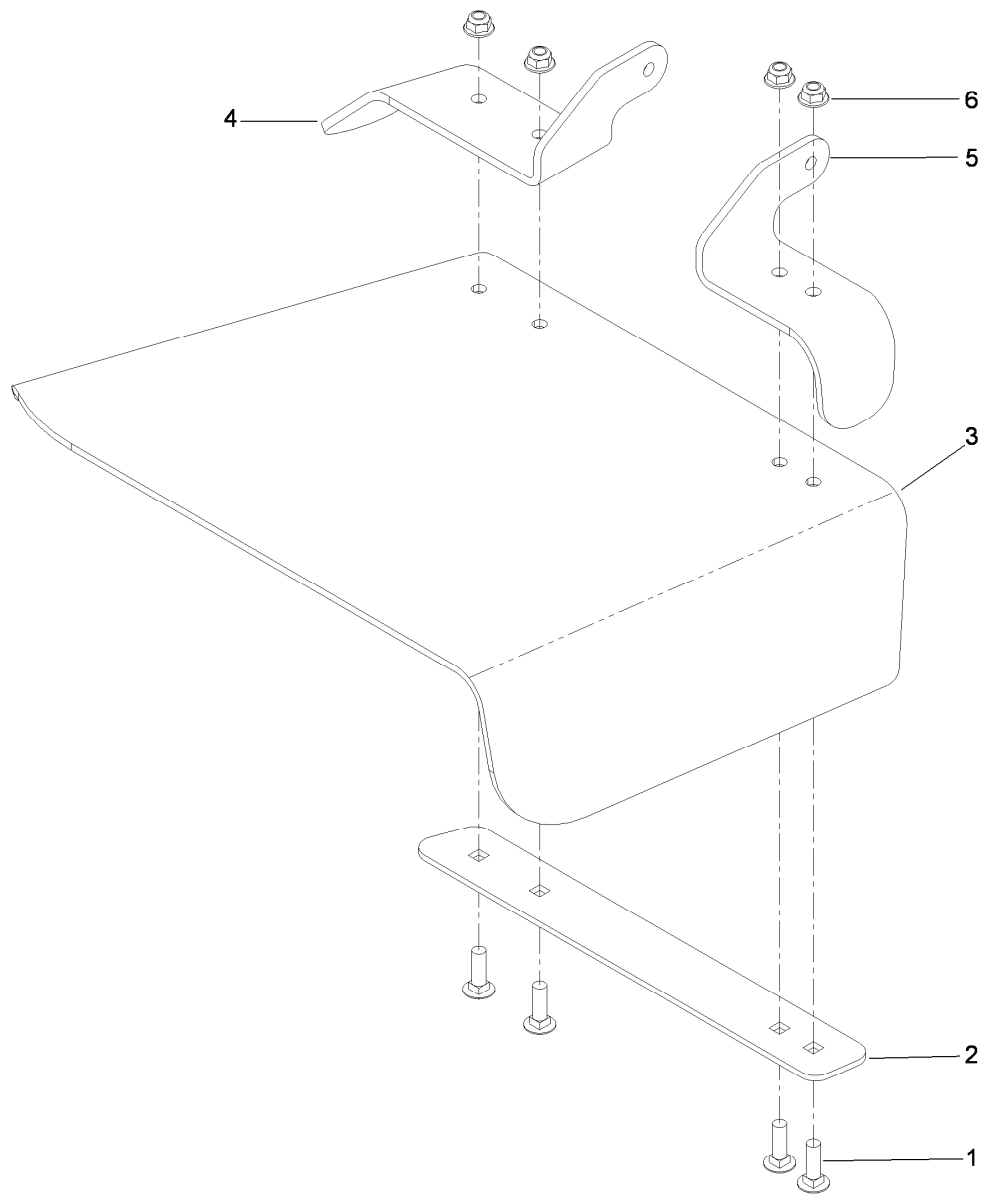
Ref.	Part Number	Qty.	Description
2	3296-67	1	Nut-Lock, NI
3	92-5836	1	Washer
4	117-6172	1	Spindle Hub ASM
5		1	Spindle Housing ASM ●
5:1		1	Spindle Housing And Studs ASM ●
5:1:2	114-8195	6	Bolt-Ribbed Neck
5:2	119-8554	2	Bearing -Noseal
5:3	253-133	2	Seal-Oil
5:4	117-6184	1	Spacer
5:5	114-8161	1	Ring-Snap
6	119-8527	1	Spindle Shaft And Zerk ASM
6:2	302-2	1	Fitting-Grease

● Not serviced separately



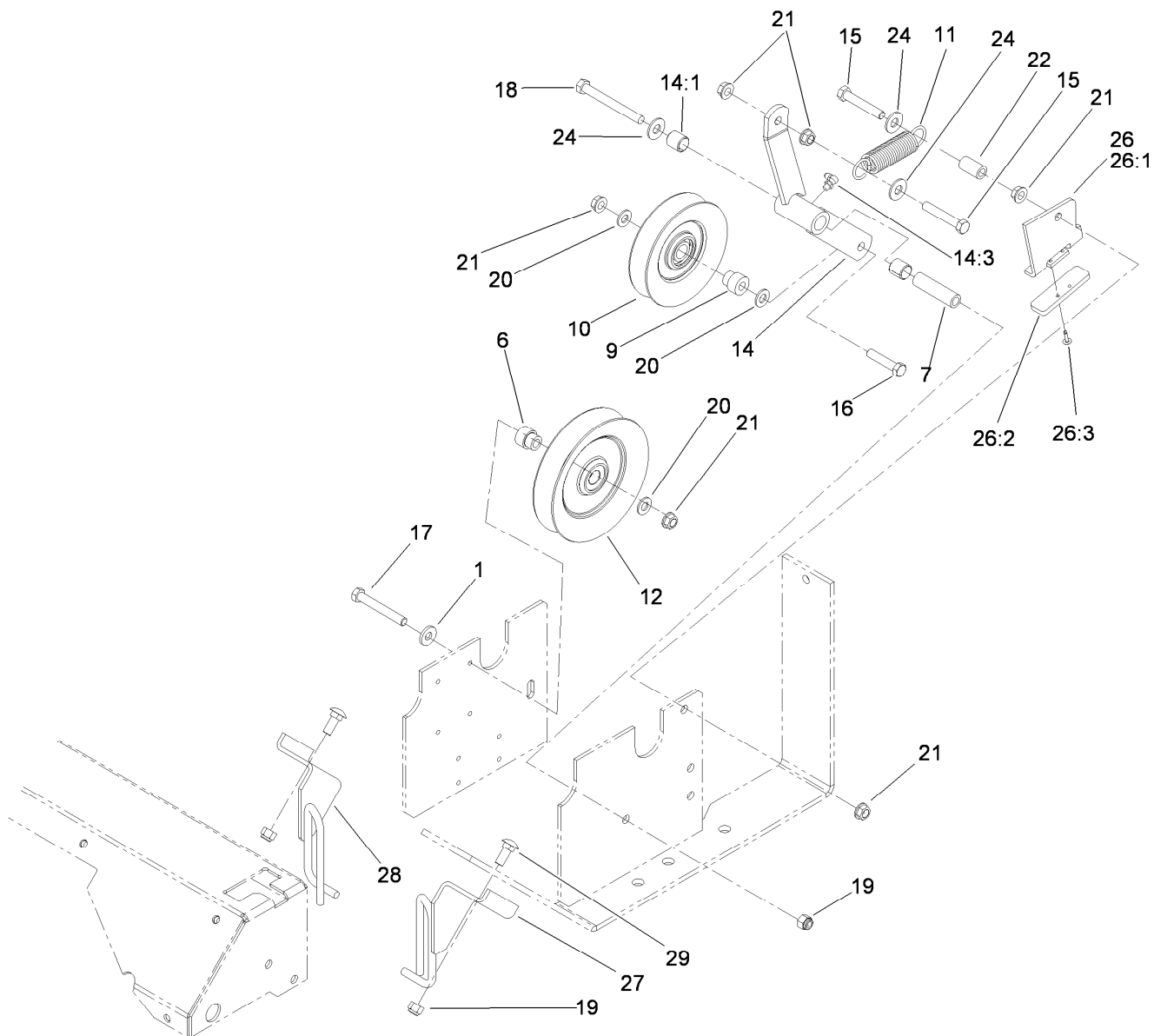
Deck Decal Assembly No. 119-4216

Ref.	Part Number	Qty.	Description
2	54-9220	1	Decal-Danger
3	66-1340	1	Decal-Danger, Thrown Object
4	98-5954	3	Decal-Cover, Missing
5	1-403005	1	Decal-Danger
6	68-8340	1	Decal-Torque
7	105-7797	1	Decal-Routing, Belt
8	105-7798	1	Decal-Scalp, Anti
9	107-1620	1	Decal
10	117-3813	1	Decal-Service, Check
11	107-3138	1	Plate-Turbo
12	3274-104	2	Screw-HSBH
13	1-303334	4	Washer-Spring
14	3296-29	2	Nut-Lock, NI
15	110-2067	1	Decal-Setting, Baffle
16	110-2068	1	Decal-Adjustment, Baffle



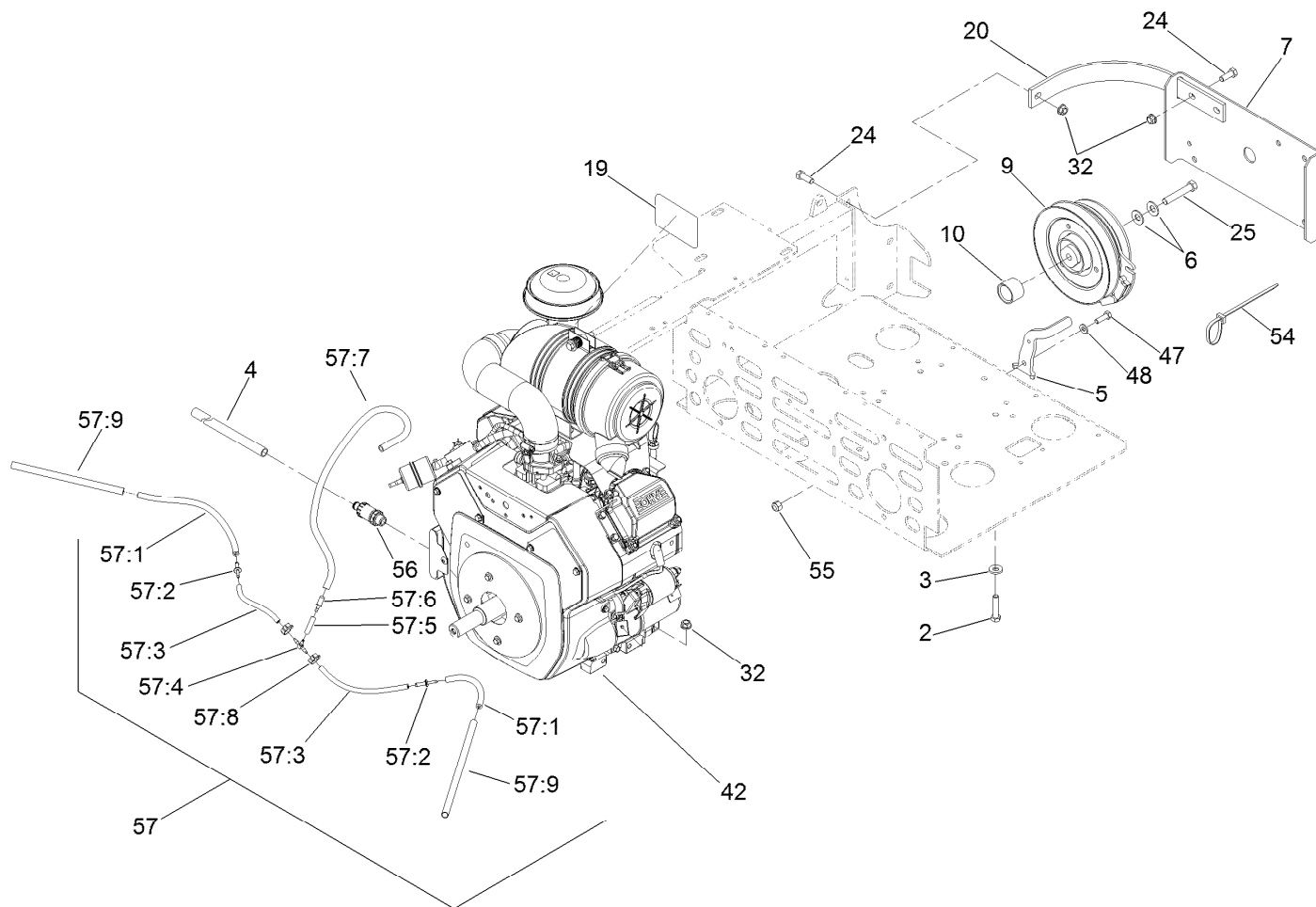
Rubber Deflector Assembly No. 108-7770

<i>Ref.</i>	<i>Part Number</i>	<i>Qty.</i>	<i>Description</i>
1	3231-25	4	Screw-CARR
2	106-3248-03	1	Strap-Discharge
3	108-5029	1	Deflector-Rubber
4	108-7767-03	1	Bracket-Hinge, Rear
5	108-7766-03	1	Bracket-Hinge, Front
6	104-8301	4	Nut-Flange, NI



Idler Assembly

<i>Ref.</i>	<i>Part Number</i>	<i>Qty.</i>	<i>Description</i>	<i>Ref.</i>	<i>Part Number</i>	<i>Qty.</i>	<i>Description</i>
1	98-5975	1	Washer-Belleville	18	1-800805	1	Screw-HH
6	103-2627	1	Bushing-Idler	19	3296-39	3	Nut-Lock, NI
7	1-603384	1	Bushing-Pivot, Idler	20	3256-24	3	Washer-Flat
9	1-603496	1	Bushing-Idler	21	3290-357	6	Nut-HHF, Whiz
10	99-4638	1	Idler	22	1-603401	1	Spacer-Fender
11	1-603402	1	Spring-Extension	24	3256-4	3	Washer-Flat
12	1-633166	1	Pulley-Idler	26	106-3271	1	Travel Limiter ASM
14	103-3147	1	Arm ASM	26:1	106-3228-03	1	Plate-Limiter, Pulley
14:1	1-513034	2	Sleeve-Bearing	26:2	106-3229	1	Pad-Bumper
14:3	302-40	1	Fitting-Grease	26:3	3269-24	2	Rivet
15	323-12	2	Screw-HH	27	108-7204-03	1	Guide-Belt, LH
16	323-9	1	Screw-HH	28	108-7229-03	1	Guide-Belt, RH
17	323-13	1	Screw-HH	29	3231-2	2	Screw-CARR



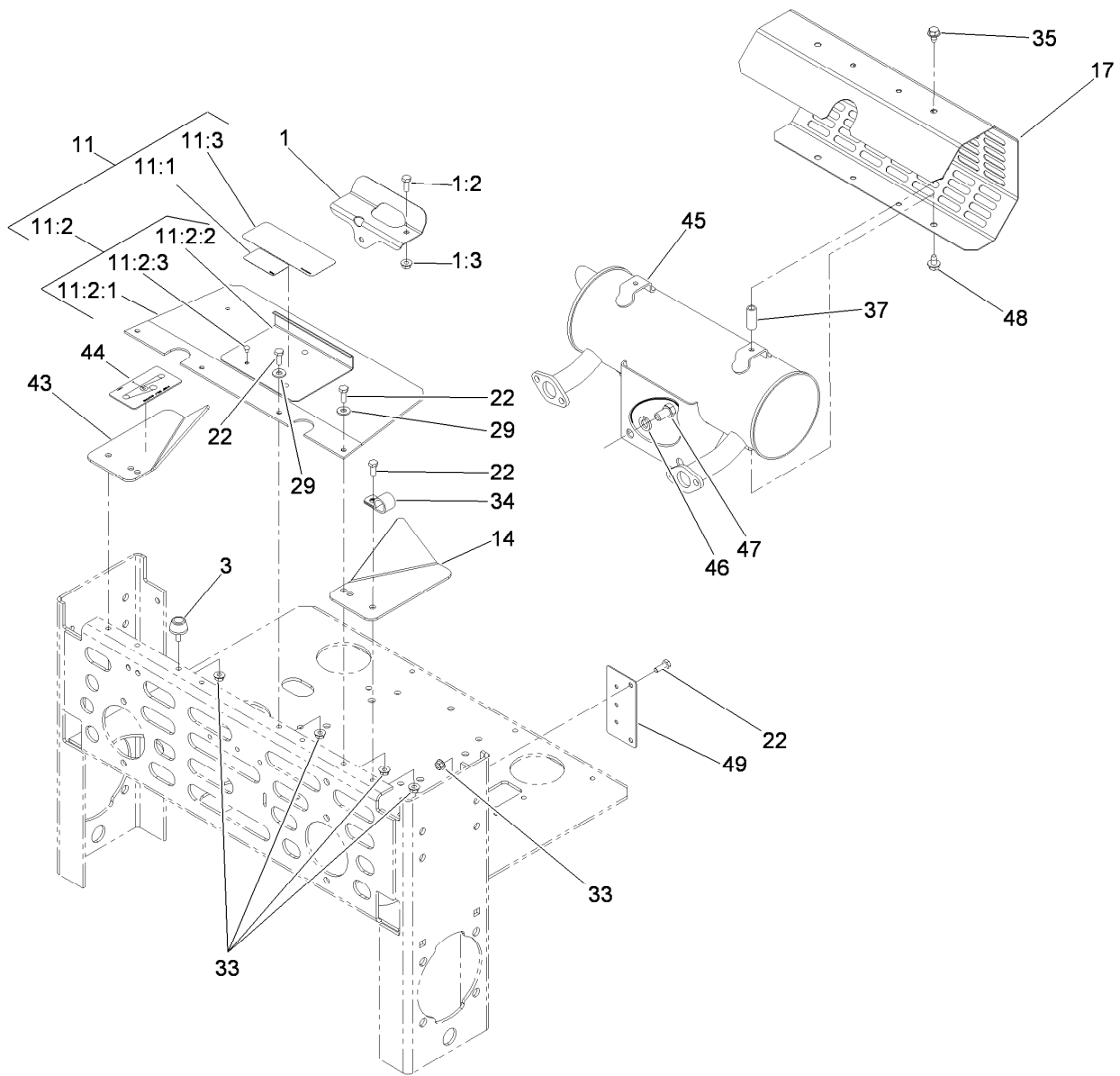
Engine and Clutch Assembly

Ref.	Part Number	Qty.	Description
2	323-9	4	Screw-HH
3	98-5975	4	Washer-Belleville
4	106-7022	1	Tube-Drain, Oil
5	109-7083-03	1	Anchor-Clutch
6	1-603610	2	Washer-Spring
7	1-633615-03	1	Guard-Clutch
9	117-3869	1	Clutch-Spot Brake
10	1-633179	1	Spacer-Clutch
19	103-3270	1	Decal
20	103-7454-03	2	Strap-Guard
24	323-6	6	Screw-HH
25	3212-10	1	Screw-HH
32	3290-357	8	Nut-HHF, Whiz
42		1	Engine-Kohler, Ch740S ●■
47	322-5	1	Screw-HH

Ref.	Part Number	Qty.	Description
48	1-303334	1	Washer-Spring
54	1-303335	1	Tie-Plastic
55	3296-29	1	Nut-Lock, NI
56	92-6877	1	Valve-Drain, Oil
57	119-8524	1	Vent Hoses ASM
57:1	109-0282	2	Hose-Fuel
57:2	117-5399	2	Adaptor-Orifice
57:3	119-8523	2	Hose-Fuel
57:4	120-2234	1	Fitting-Tee
57:5	119-8561	1	Hose-Fuel
57:6	98-2952	1	Fitting-Straight
57:7	119-8562	1	Hose-Fuel
57:8	119-8563	2	Clip-Conduit, Nail
57:9	119-8566	2	Cover Hose

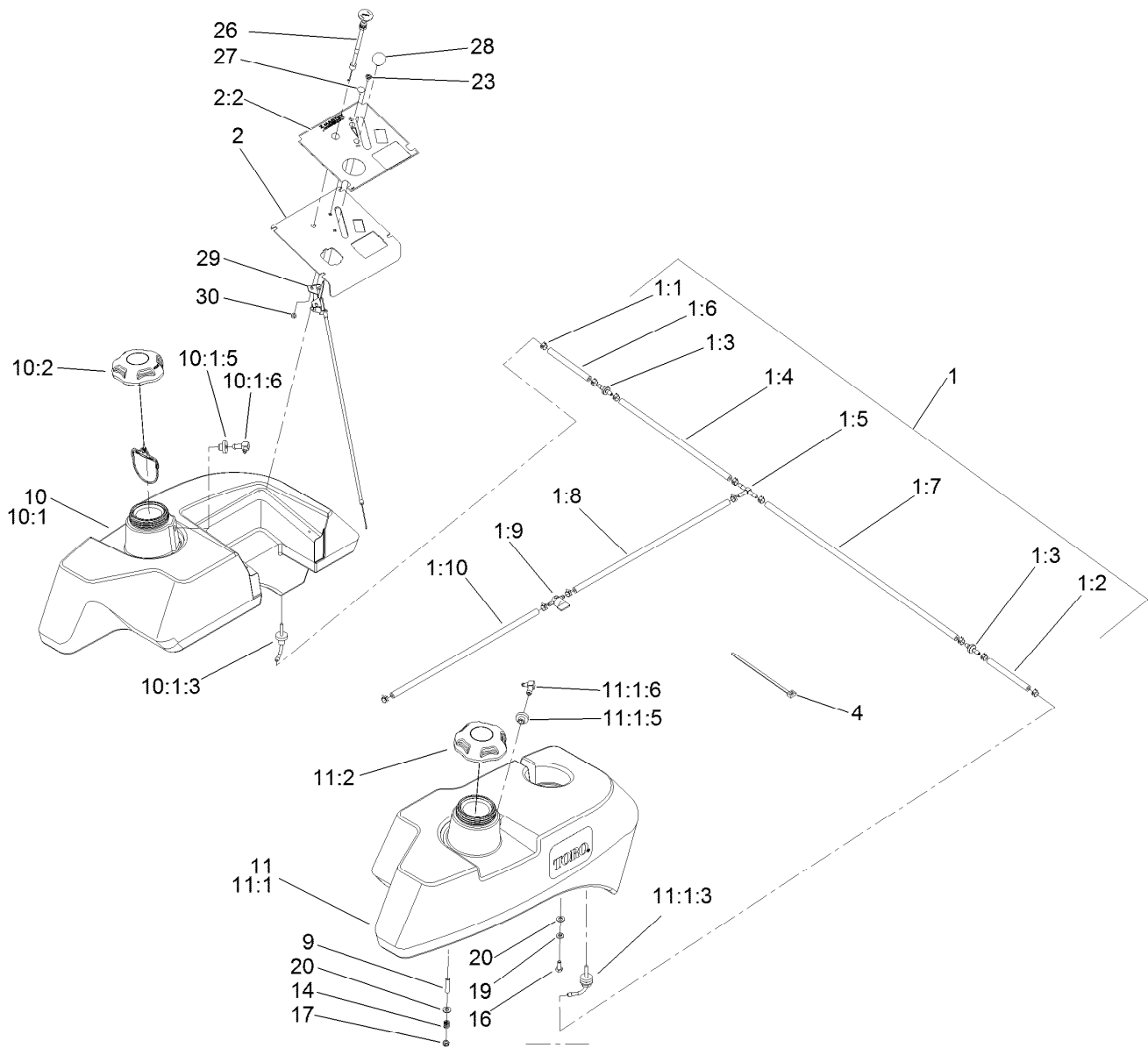
● Not serviced separately

■ Obtain parts from www.kohlerplus.com



Muffler and Guard Assembly

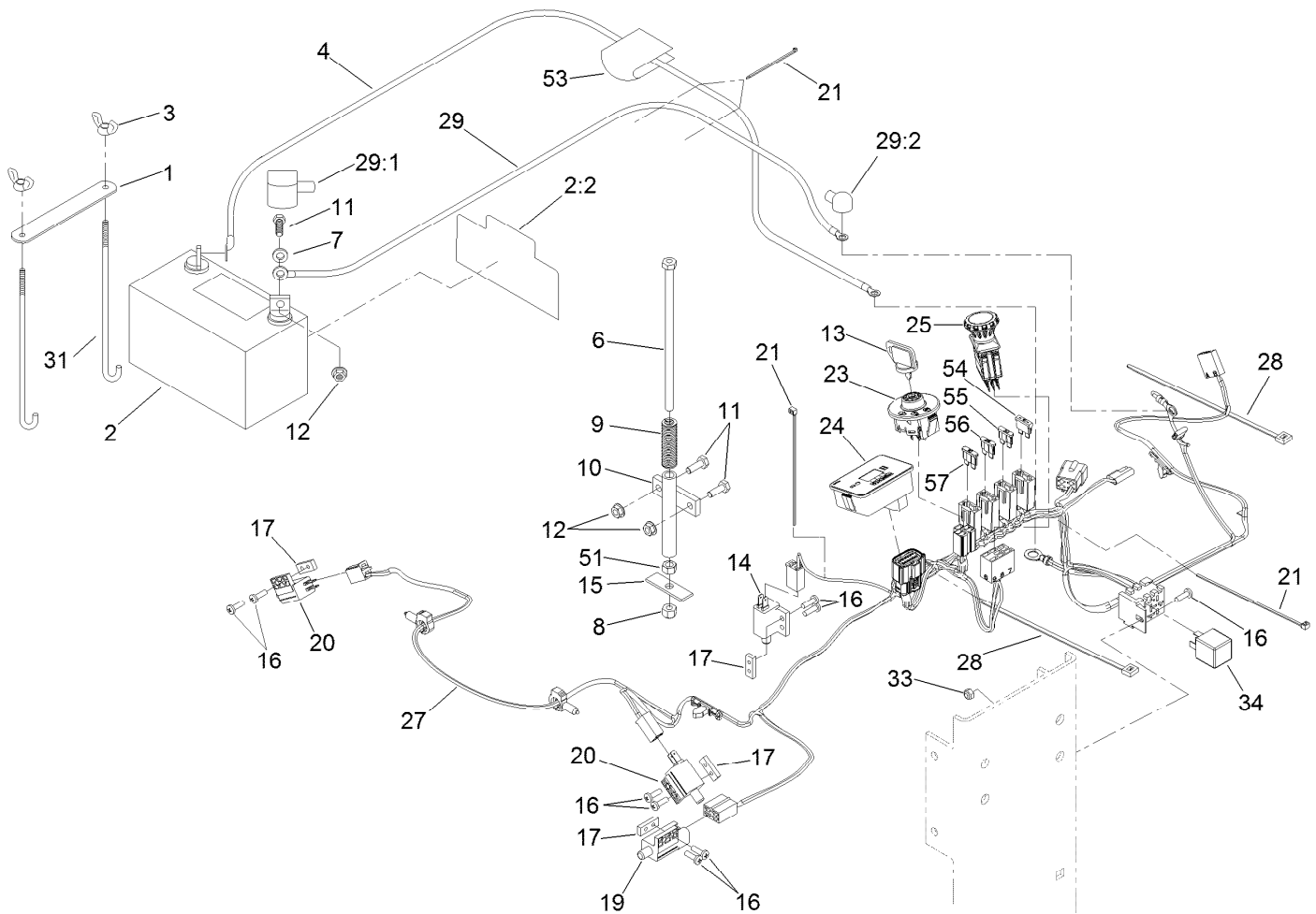
<i>Ref.</i>	<i>Part Number</i>	<i>Qty.</i>	<i>Description</i>	<i>Ref.</i>	<i>Part Number</i>	<i>Qty.</i>	<i>Description</i>
1	103-3535	1	Cable Heat Shield Kit	22	321-4	11	Screw-HH
1:2	321-4	1	Screw-HH	29	3256-2	4	Washer-Flat
1:3	32128-33	1	Nut-HF	33	32128-33	13	Nut-HF
3	109-2365	2	Rubber Bumper ASM (W/Stud)	34	1-633396	1	Clip-Loom
11	1-644276	1	Shield ASM	35	1-809108	2	Screw-HWH
11:1	1-633462	1	Decal-Important	37	1-323236	2	Spacer
11:2	1-634308	1	Shield And Lift ASM	43	103-6619-03	1	Support-Front Cover, RH
11:2:1	103-1308	1	Shield-Engine	44	1-643339	1	Decal-Routing, Belt
11:2:2	1-633300-03	1	Lift-Shield	45	103-7482	1	Muffer
11:2:3	1-803035	3	Rivet-Pop	46	3253-6	2	Washer-Lock
11:3	103-5881	1	Decal-Devices, Rotating	47	324-2	2	Screw-HH
14	103-6620-03	1	Support-Front Cover, LH	48	9266934	2	Screw
17	1-643313-03	1	Guard-Muffler	49	109-7679-03	1	Mount-Relay



Fuel System Assembly

Ref.	Part Number	Qty.	Description	Ref.	Part Number	Qty.	Description
1	107-9285	1	Fuel Line ASM	10:1:6	1-643172	1	Elbow-90 DEG
1:1	2412-98	12	Clamp	10:2	120-5461	1	Cap-Fuel, Ratcheting
1:2	109-0678	1	Hose-Fuel	11	119-8587	1	RH Fuel Tank ASM
1:3	99-5000	2	Valve-Check, Fuel	11:1		1	Tank-Fuel, RH ●
1:4	109-0305	1	Hose-Fuel	11:1:3	103-2605	1	Fitting-Fuel, Bulkhead
1:5	99-5005	1	Fitting-Tee, Barbed	11:1:5	46-6560	1	Bushing
1:6	109-0303	1	Hose-Fuel	11:1:6	1-643172	1	Elbow-90 DEG
1:7	109-0302	1	Hose-Fuel	11:2	120-5461	1	Cap-Fuel, Ratcheting
1:8	109-0299	1	Hose-Fuel	14	1-633349	6	Spring-Tank, Fuel
1:9	1-603770	1	Valve-Fuel	16	322-3	2	Screw-HH
1:10	114-4428	1	Hose-Fuel	17	3296-47	6	Nut-Lock, NI
2	117-0907	1	Control Panel ASM	19	1-805005	2	Washer-Lock
2:2	117-0905	1	Decal-Panel, Control	20	3256-23	8	Washer-Flat
4	1-643115	5	Tie-Plastic	23	109-2661	4	Screw-PPH
9	1-633023	6	Stud	26	106-9962	1	Control-Choke, Push / Pull
10	119-8586	1	LH Fuel Tank ASM	27	1-807513	2	Bolt-CARR
10:1		1	Tank-Fuel, LH ●	28	1-513592	1	Knob-Ball
10:1:3	103-2605	1	Fitting-Fuel, Bulkhead	29	107-8073	1	Cable-Throttle
10:1:5	46-6560	1	Bushing	30	3296-2	2	Nut-Lock, NI

● Not serviced separately



Electrical Assembly

Ref.	Part Number	Qty.	Description	Ref.	Part Number	Qty.	Description
1	107-9277-03	1	Strap-Holddown, Battery	21	1-303287	5	Tie-Cable
2	105-1692	1	Battery	23	117-2221	1	Switch-Ignition
2:2	104-4164	1	Decal-Battery	24	112-8650	1	Hour Meter ASM
3	1-543792	2	Wingnut	25	116-0124	1	Switch-PTO, 10A
4	1-633307	1	Wire-Ground	27	114-4441	1	Harness-Electrical
6	1-800282	1	Screw-HH	28	1-303335	2	Tie-Plastic
7	3256-2	2	Washer-Flat	29	109-7630	1	Positive Battery Cable ASM
8	3296-29	1	Nut-Lock, NI	29:1	109-2407	1	Insulator-Battery
9	1-523415	1	Spring-Switch, Seat	29:2	1-543393	1	Insulator-Solenoid
10	1-522424-03	1	Mount-Spring, Seat	31	1-633651	2	Bolt-Holddown
11	321-4	4	Screw-HH	33	3296-2	1	Nut-Lock, NI
12	32128-33	4	Nut-HF	34	1-643275	1	Relay
13	63-8360	2	Key-Ignition	51	3217-6	1	Nut-Hex
14	1-513152	1	Switch-Closed, Normally	53	107-9309	1	Decal-Instructions, Charging
15	1-513180	1	Plate-Switch, Seat	54	109355	1	Fuse-Blade, 15 Amp
16	3290-500	9	Screw-PPH	55	109103	1	Fuse-Blade, 30 Amp
17	1-633181	4	Plate-Tapped	56	109102	1	Fuse-Blade, 25 Amp
19	1-633111	1	Switch	57	218-578	1	Fuse-Blade, 10 Amp
20	1-513051	2	Switch-Open, Normally				

Attachments and Accessories

For 74297 Z500 Z Master With 72in TURBO FORCE Side Discharge Mower

Product Name	Model/Part
Winter Hydraulic Filter	1-633752
Z Stand Kit	105-1622
1.25 Inch Spark Arrester Kit	105-1672
Blade-Mid Flow, 24.5 inch	105-7711-03
Blade-Lo Flow, 24.5 inch	105-7712-03
Blade-Atomic, 24.5 inch	105-7719-03
Blade-Recycler, 24.5 inch	105-7778-03
Blade-Hi Flow, 24.5 inch	105-7784-03
Recycler Kit	107-1612
Striping Kit	107-1630
Turbo Baffle Kit	107-1634
Light Kit	107-9880
6 Pack Blade, 24.5 inch Hi-Flow	108-1120
6 Pack Blade, 24.5 inch Atomic	108-1126
Roller Striping Kit	108-2162
6 Pack-Blade, 24.5 inch Mid-Flow	110-0404
6 Pack-Blade, 24.5 inch Lo-Flow	110-0410
6 Pack-Blade, 24.5 inch Recycler	110-0411
Hypr-Oil 500 (quart)	114-4713
Hypr-Oil 500 (gallon)	114-4714
Hypr-Oil 500-5 (5 gallon)	114-4715
Bimini Folding Shade Assembly	115-4510
Chute Gate Kit	78522
Deluxe Suspension Seat Kit	78530
Deck Triple Bag Assembly	78535
Blower and Drive Kit	78539
DFS E-Z Vac Bagger	78545
Filter Minder Gauge	99-4664
Hitch Kit	99-8925



Count on it.