



**Count on it.**

**Parts Catalog**

**Groundsmaster® 4700-D**

**Traction Unit**

**Model No. 30858—Serial No. 290000001 and Up**

# Ordering Replacement Parts

To order replacement parts, please supply the part number, the quantity, and the description of each part desired.

## Understanding Reference Numbers

Each identified part in an illustration has a reference number. The reference number for a part also appears in the parts list, along with other information about the part.

This catalog uses two special reference number formats, one to indicate parts in a service assembly and another to indicate the quantity of a given part in an illustration.

## Service Assembly Reference Numbers

Parts in service assemblies have reference numbers in the form a:b. The a represents the reference number of the entire service assembly and the b represents a sequential number unique to each part within the service assembly.

For example, a wheel assembly might be identified by reference number 6, the tire by 6:1, the valve by 6:2, and the wheel by 6:3. When you order the assembly identified by reference number 6, you receive all parts identified by reference numbers 6:1, 6:2, and 6:3. However, you may also order any part individually. Reference numbers of this type appear in illustration and in parts lists.

## Reference Numbers Indicating Quantity

In an illustration, if a reference number indicates more than one part, the reference number has the form nX y. The n represents the quantity of the part, the X is the multiplication symbol, and the y represents the reference number.

For example, in an illustration, the reference number 2X 37 means that two of the parts identified by reference number 37 are indicated.

# List of Abbreviations

**AR:** as required

**ASM:** assembly

**BBC:** blade brake control

**BHTF:** button head thread forming

**CARR:** carriage

**CCW:** counter clockwise

**CW:** clockwise

**DEG:** degrees

**DPA:** Dual Point Adjustment

**ECM:** electronic control module

**EXT:** external

**FH:** flat head

**GA:** gauge

**HD:** heavy-duty

**HF:** hex flange

**HH:** hex head

**HHF:** hex head flange

**HHFTF:** hex head flange thread forming

**HJ:** hex jam

**HLH:** hex lag head

**HOC:** height-of-cut

**HSBH:** hex socket button head

**HSFH:** hex socket flat head

**HSH:** hex socket head

**HWH:** hex washer head

**HWTF:** hex washer head thread forming

**HYD:** hydraulic

**LH:** left hand

**LP:** Liquid Propane

**NI:** nylon insert

**NPTF:** national pipe thread fine

**PFH:** phillips flat head

**PPH:** phillips pan head

**PPHTF:** phillips pan head thread forming

**PRH:** phillips round head

**PTH:** phillips truss head

**PTO:** power-take-off

**RH:** right hand

**ROPS:** roll-over protection system

**RRB:** rear roller brush

**SFH:** slotted fillister head

**SHH:** slotted hex head

**SHWH:** slotted hex washer head

**SPH:** slotted pan head

**SQH:** square head

**SRH:** slotted round head

**STD:** standard

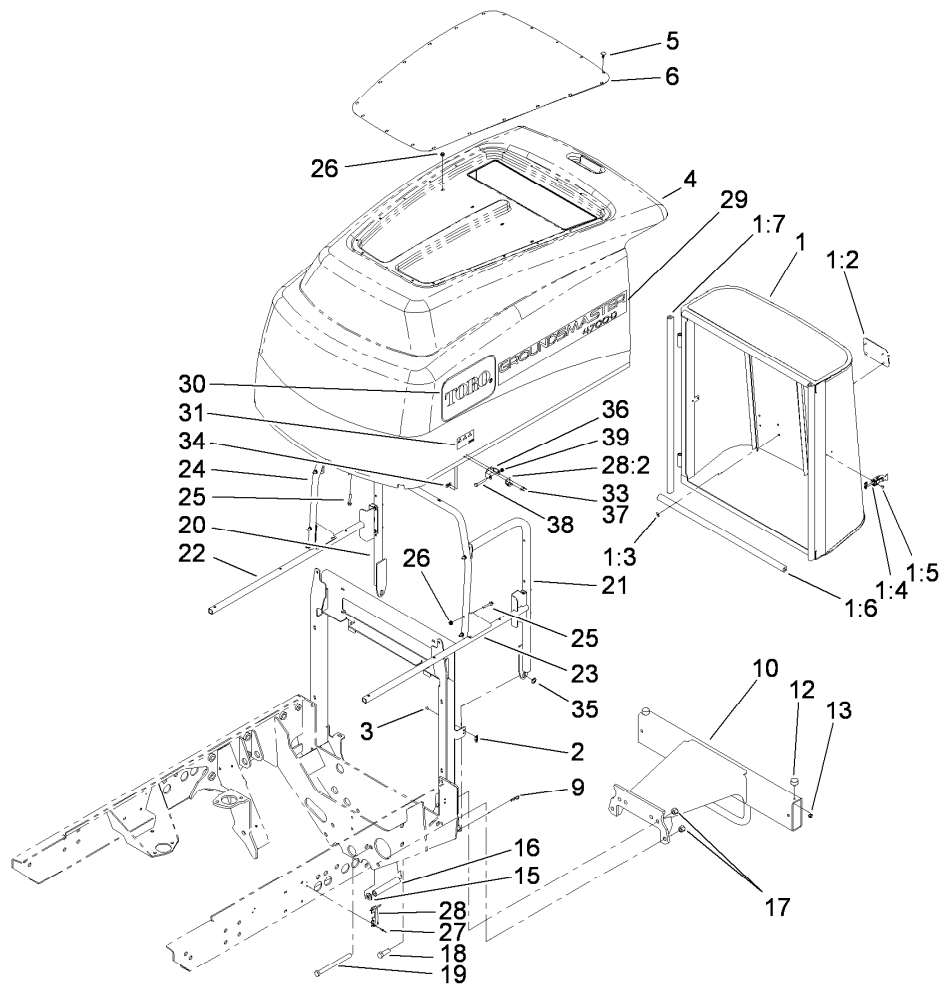
**TAP:** self tapping

**TTH:** torx truss head

# Contents

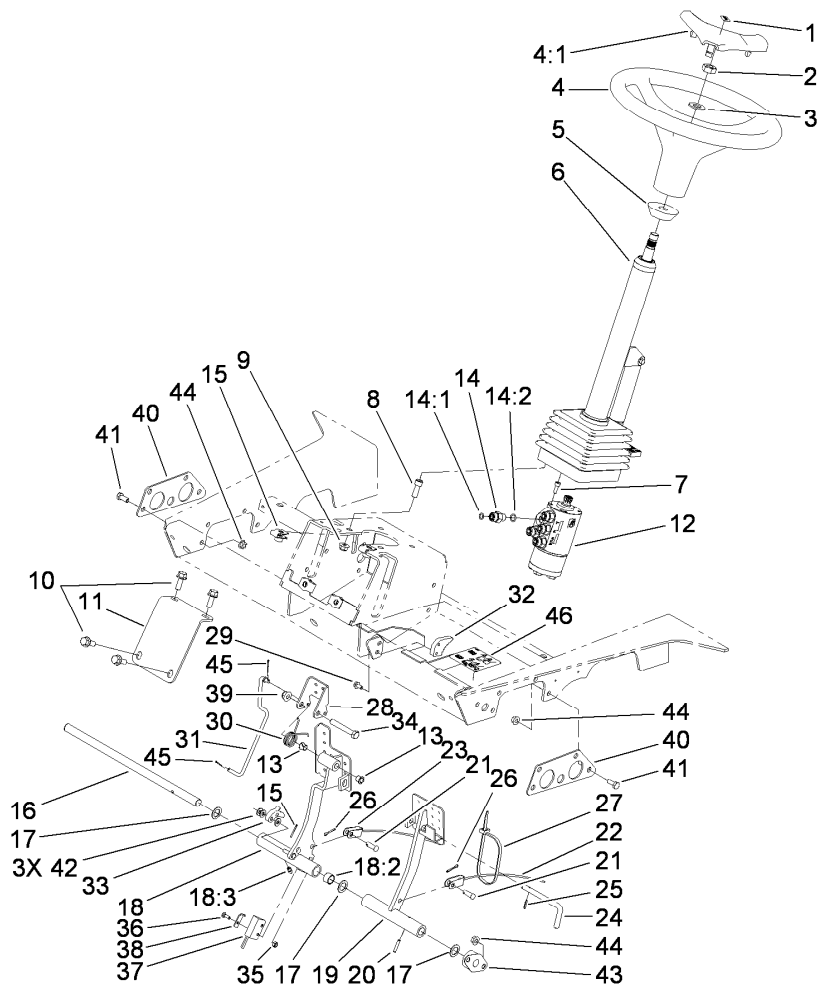
Hood, Screen and Bumper Assembly . . . . .	5
Steering Tower and Brake Pedal Assembly . . . . .	6
Steering Tilt Column Assembly No. 106-3622 . . . . .	7
Steering Valve Assembly No. 114-8119 . . . . .	8
Traction Pedal Assembly . . . . .	9
Seat and Seat Frame Assembly . . . . .	10
Air Ride Seat Suspension Assembly Model No. 30621 . . . . .	11
Premium Seat Assembly Model No. 30622 . . . . .	13
Control Console Assembly . . . . .	14
Hydraulic Filter and Reservoir Assembly . . . . .	15
Fuel Tank and Filter Assembly . . . . .	16
Front Drive and Brake Assembly . . . . .	17
Planetary Assembly No. 105-4500-03 . . . . .	18
Brake Assembly No. 100-3070-03 . . . . .	19
Piston Motor Assembly No. 105-1218 . . . . .	20
Brake Assembly No. 100-3069-03 . . . . .	21
Fan Plumbing Assembly . . . . .	22
Hydraulic Pump Assembly . . . . .	23
Piston Pump Assembly No. 114-4188 . . . . .	24
Control Assembly No. 115-4446 . . . . .	25
Four Section Pump Assembly No. 114-4189 . . . . .	26
Radiator Assembly . . . . .	27
Fan and Motor Assembly . . . . .	28
Hydraulic Motor Assembly No. 117-4769 . . . . .	29
Engine Installation Assembly . . . . .	30
Rear Axle Assembly . . . . .	31
Bevel Pinion Shaft Assembly Rear Axle Assembly No. 110-4750 . . . . .	32
Differential Assembly Rear Axle Assembly No. 110-4750 . . . . .	33
Axle Support Assembly Rear Axle Assembly No. 110-4750 . . . . .	34
Bevel Gear Case Assembly Rear Axle Assembly No. 110-4750 . . . . .	35
Bevel Gear Shaft Assembly Rear Axle Assembly No. 110-4750 . . . . .	36
Axle Case Assembly Rear Axle Assembly No. 110-4750 . . . . .	37
Axle Assembly Rear Axle Assembly No. 110-4750 . . . . .	38
Hydraulic Cylinder Assembly No. 105-9861 . . . . .	39
Piston Motor Assembly No. 105-1219 . . . . .	40
Flywheel Coupler Assembly . . . . .	41
Power Center, Battery and Storage Box Assembly . . . . .	42
Battery Storage Box Assembly No. 115-9100 . . . . .	43
Storage Box Assembly No. 115-9101 . . . . .	44
Front Lift Arm Assembly . . . . .	45
Hydraulic Cylinder Assembly No. 107-1979 . . . . .	46
Hydraulic Cylinder Assembly No. 107-1980 . . . . .	47
Air Cleaner and Manifold Assembly . . . . .	48
Fan Drive Manifold Assembly No. 117-2395 . . . . .	49
Air Cleaner Assembly No. 99-5410 . . . . .	50
No. 2 and 3 Lift Arm Assembly . . . . .	51
Hydraulic Cylinder Assembly No. 107-1978 . . . . .	52
No. 2 and 3 Hose Installation Assembly . . . . .	53
No. 1, 4 and 5 Hose Installation Assembly . . . . .	54
Hydraulic Motor Assembly No. 105-9872 . . . . .	55
No. 6 and 7 Hose Installation Assembly . . . . .	56
No. 6 and 7 Lift Arm Assembly . . . . .	57
Hydraulic Cylinder Assembly No. 107-1981 . . . . .	59
Roll-Over Protection System and Front Frame Assembly . . . . .	60

Front Frame Assembly No. 115-4392 .....	61
Front Shroud and Work Light Assembly .....	62
Manifold and Filter Assembly .....	63
Mow Manifold Assembly No. 117-2393 .....	64
Mow Manifold Assembly .....	65
Lift Manifold Assembly No. 117-2389 .....	66
Lift Manifold Assembly .....	67
4-Wheel Drive Manifold and Filter Assembly .....	68
Filter Manifold Assembly No. 117-2391 .....	69
Filter Manifold Assembly .....	70
4-Wheel Drive Manifold Assembly No. 117-2390 .....	71
4-Wheel Drive Manifold Assembly .....	72
Junction Manifold Assembly No. 117-2394 .....	73
Junction Manifold Assembly .....	74
Traction Hydraulic Lines Assembly .....	75
Mow Hydraulic Line Assembly .....	76
Hydraulic Steering Assembly .....	77
Lift Cylinder Line Assembly .....	78
Crankcase Assembly .....	79
Oil Pan Assembly .....	80
Cylinder Head Assembly .....	81
Gear Case Assembly .....	82
Cylinder Head Cover Assembly .....	83
Oil Filter Assembly .....	84
Dipstick and Guide Assembly .....	85
Oil Pump Assembly .....	86
Main Bearing Case Assembly .....	87
Cam Shaft and Idle Gear Assembly .....	88
Piston and Crankshaft Assembly .....	89
Flywheel Assembly .....	90
Fuel Camshaft and Governor Shaft Assembly .....	91
Idle Apparatus and Stop Solenoid Assembly .....	92
Injection Pump Assembly .....	93
Governor Assembly .....	94
Speed Control Plate Assembly .....	95
Nozzle Holder and Glow Plug Assembly .....	96
Alternator and Pulley Assembly .....	97
Alternator Component Part Assembly .....	98
Starter Assembly .....	99
Starter Components Assembly .....	100
Water Flange and Thermostat Assembly .....	101
Water Pump Assembly .....	102
Valve and Rocker Arm Assembly .....	103
Inlet and Exhaust Manifold Assembly .....	104
Turbo Charger Assembly .....	105
Oil Pipe (Turbo Charger) Assembly .....	106
Oil Cooler Assembly .....	107
Muffler Gasket, Glow Controller and Operator Manual .....	108
Upper Gasket Kit .....	109
Lower Gasket Kit .....	110
Attachments and Accessories .....	111



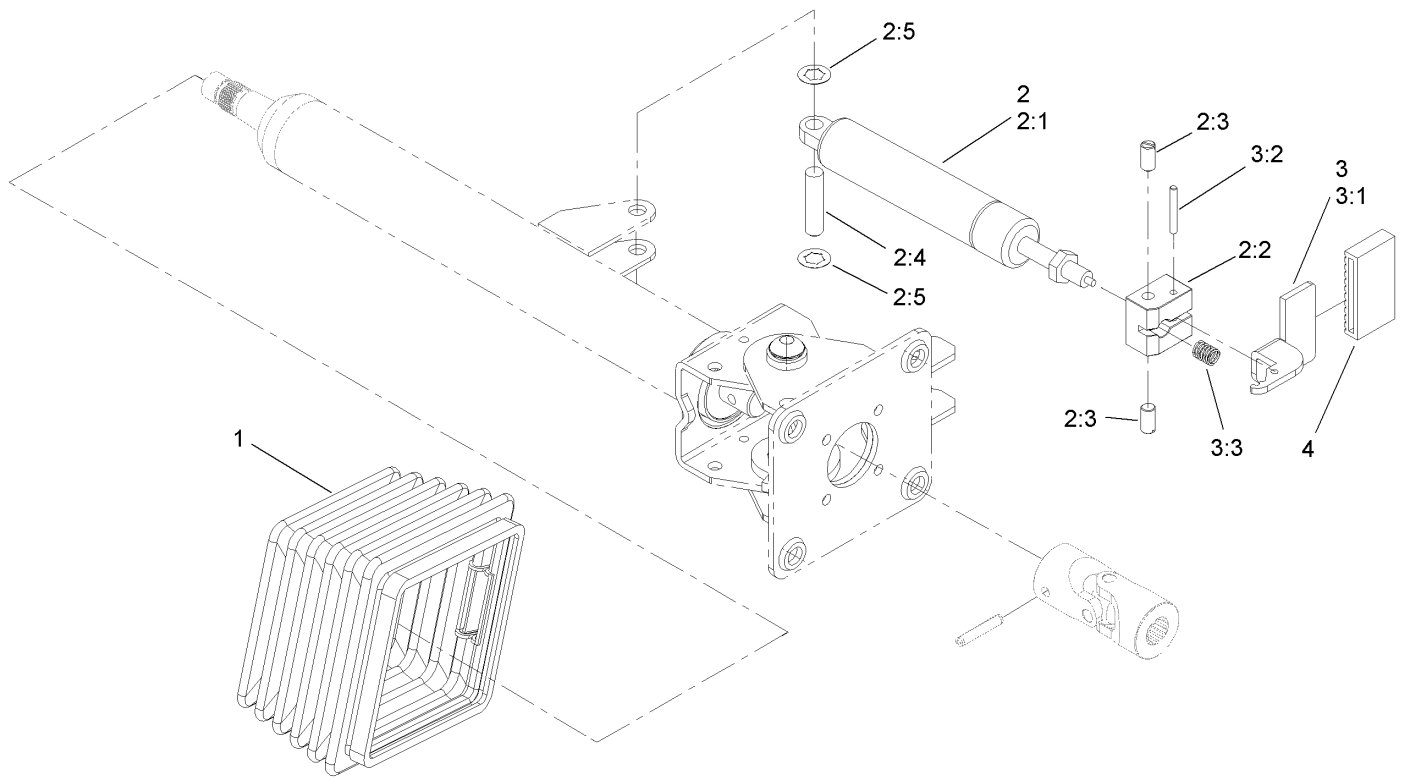
## Hood, Screen and Bumper Assembly

Ref.	Part Number	Qty.	Description	Ref.	Part Number	Qty.	Description
1	115-4362	1	Screen ASM	20	114-8108-03	1	Tube-RH
1:2	93-6028	1	Plate-Logo	21	114-8109-03	1	Tube-LH
1:3	94-2638	4	Nut-Tinnerman	22	117-2358-03	1	Tube-Hood, RH
1:4	114-8117	1	Latch-Adjustable	23	114-8102-03	1	Tube
1:5	3269-3	2	Rivet-Pop	24	115-9118-03	1	Tube-Frame, Hood
1:6	115-4358	2	Seal-Bulb	25	94-5781	26	Screw-HHF
1:7	115-4359	2	Seal-Bulb	26	104-7201	26	Nut-HF
2	115-4357	1	Latch-Keeper	27	3290-55	4	Rivet-Pop
3	3269-3	2	Rivet-Pop	28	59-9740	2	Flex Draw Latch ASM
4	117-4767	1	Hood ASM	28:2	249-40	1	Keeper
5	117-2382	20	Plug-Plastic	29	105-9876	2	Decal
6	114-4192-03	1	Screen-Hood	30	66-1210	2	Decal
9	3290-467	2	Pin-Hair	31	106-6754	2	Decal-Danger
10	105-9221-03	1	Bumper-Rear	33	3269-17	4	Rivet-Pop
12	240-14	2	Bumper-Rubber	34	3269-10	4	Washer-Back
13	32128-33	2	Nut-HF	35	98-1629	2	Washer
15	3256-26	2	Washer-Flat	36	117-4791	1	Bracket-Lock, Ce
16	76-8350	2	Stop-Axle	37	107-0333	2	Rivet-Pop
17	3296-23	4	Nut-Lock, NI	38	321-11	1	Screw-HH
18	325-6	2	Screw-HH	39	3296-56	1	Nut-Lock, NI
19	325-33	2	Screw-HH				



## Steering Tower and Brake Pedal Assembly

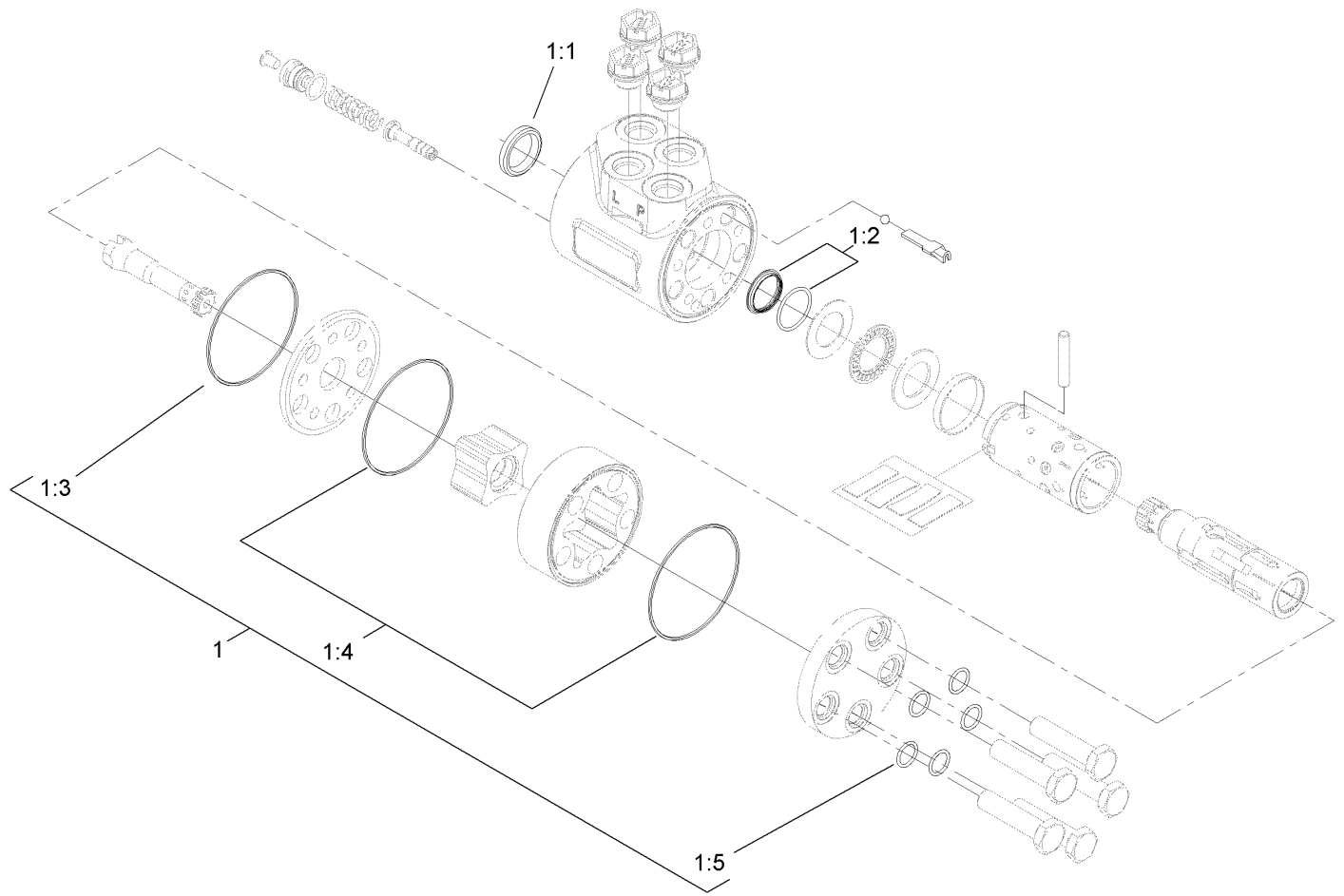
Ref.	Part Number	Qty.	Description	Ref.	Part Number	Qty.	Description
1	98-1459	1	Decal	22	92-7530	1	LH Brake Cable ASM
2	3296-33	1	Nut-Lock, NI	23	92-7529	1	RH Brake Cable ASM
3	3256-27	1	Washer-Flat	24	63-7880	1	Pin-Latch, Brake
4	98-1471	1	Wheel-Steering	25	32121-50	1	Pin-Spring
4:1	98-1468	1	Cover-Wheel, Steering	26	3272-10	2	Pin-Cotter
5	93-5429	1	Collar-Foam	27	3290-378	1	Tie-Cable
6	106-3622	1	Steering Tilt Column ASM	28	99-7963-03	1	Pedal-Park
7	105-2409	4	Screw-HSH	29	3234-13	2	Screw-HHF
8	3274-7	4	Screw-HSH	30	99-7140	1	Spring-Torsion
9	104-8301	4	Nut-Flange, NI	31	115-4417	1	Rod-Brake Pawl
10	3234-11	4	Screw-HHF	32	115-4414	1	Pawl-Brake
11	115-4379-01	1	Brace-Column	33	115-4413	1	Detent-Brake
12	114-8119	1	Steering Valve ASM	34	323-12	1	Screw-HH
13	52-2891	2	Bushing-Flanged, Nylon	35	3296-2	1	Nut-Lock, NI
14	340-2	5	Fitting-HYD, Straight	36	3229-34	1	Screw-CARR
14:1	237-22	1	O-Ring	37	100-1270	1	Switch-Proximity
14:2	237-42	1	O-Ring	38	100-4872	1	Plate-Switch, Neutral
15	112-4576	4	Nut-Clip, U	39	104-8301	1	Nut-Flange, NI
16	75-1470	1	Pin-Pivot, Brake	40	106-7794-01	2	Plate-Mount, HYD Fitting
17	3256-69	3	Washer-Flat	41	322-3	10	Screw-HH
18	115-4435	1	RH Brake Pedal ASM	42	3256-22	3	Washer-Flat
18:2	256-42	2	Bushing	43	256-236	2	Bearing-Mount, Flange
18:3	302-5	1	Fitting-Grease	44	32128-20	10	Nut-HF
19	115-4421-03	1	LH Brake Pedal ASM	45	3272-4	3	Pin-Cotter
20	32121-16	1	Pin-Spring	46	117-4763	1	Decal-Brake
21	283-58	2	Pin-Clevis				



## Steering Tilt Column Assembly No. 106-3622

<i>Ref.</i>	<i>Part Number</i>	<i>Qty.</i>	<i>Description</i>
1	110-6462	1	Bellows-Rubber
2	110-6463	1	Cylinder Service Kit
2:1		1	Cylinder-Gas ●
2:2		1	Block-Pedal ●
2:3		2	Bolt ●
2:4		1	Pin ●
2:5		2	Washer-Lock ●
3	110-6464	1	Pedal Service Kit
3:1		1	Pedal ●
3:2		1	Pin ●
3:3		1	Spring ●
4	110-6465	1	Cover-Pedal

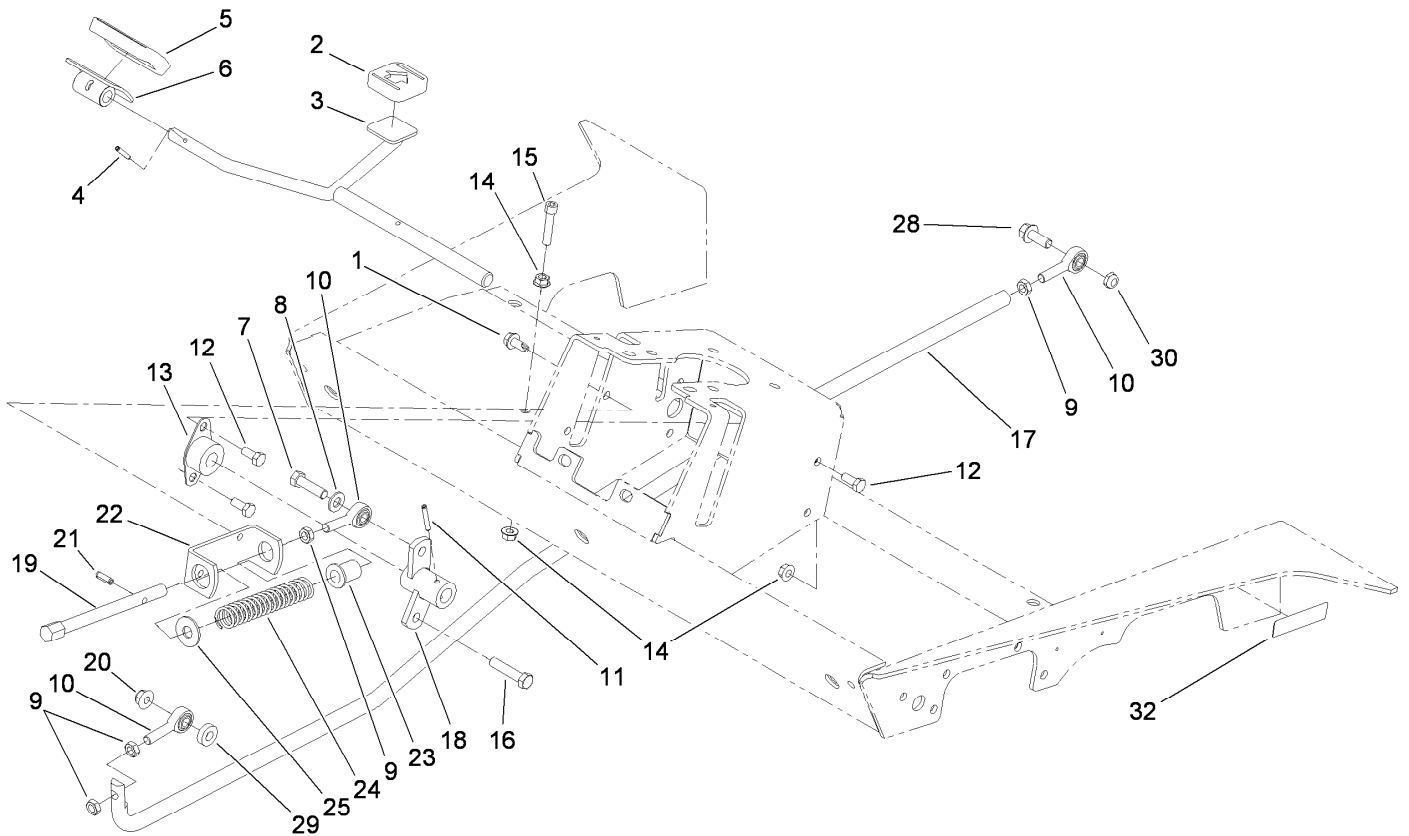
● Not serviced separately



## Steering Valve Assembly No. 114-8119

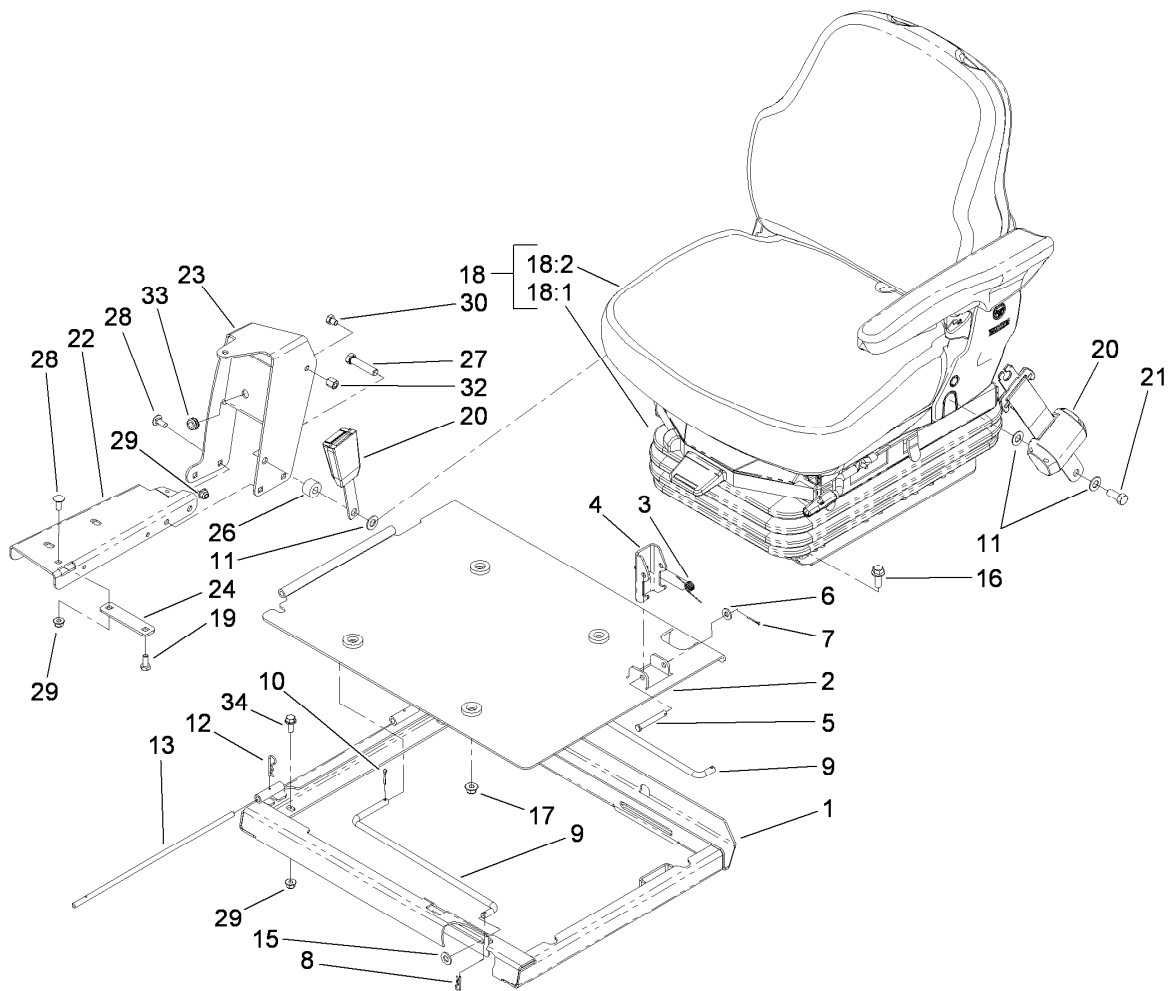
<i>Ref.</i>	<i>Part Number</i>	<i>Qty.</i>	<i>Description</i>
1	106-6716	1	Seal Kit
1:1		1	Ring-Seal, Dust ●
1:2		1	Seal-Shaft ●
1:3		1	O-Ring ●
1:4		2	O-Ring ●
1:5		5	O-Ring ●

● Not serviced separately



## Traction Pedal Assembly

<i>Ref.</i>	<i>Part Number</i>	<i>Qty.</i>	<i>Description</i>	<i>Ref.</i>	<i>Part Number</i>	<i>Qty.</i>	<i>Description</i>
1	32104-32	2	Screw-HWH	16	323-8	1	Screw-HH
2	74-9110	1	Pad-Pedal, Reverse	17	117-4794-03	1	Rod-Traction
3	75-2970	1	Pedal-Traction	18	115-4380-03	1	Traction Hub Pivot ASM
4	32121-45	1	Pin-Spring	19	115-4383	1	Shaft-Spring
5	74-9100	1	Pad-Pedal, Forward	20	104-8301	2	Nut-Flange, NI
6	49-6440-03	1	Pedal-Forward	21	32121-11	1	Pin-Roll
7	323-29	1	Screw-HH	22	92-7608-03	1	Bracket-Spring
8	3256-24	1	Washer-Flat	23	92-7610	1	Retainer-Spring
9	3220-3	4	Nut-HJ	24	84-9100	1	Spring
10	2411-36	3	Bearing-End, Rod	25	3256-5	1	Washer-Flat
11	32121-6	1	Pin-Roll, Slotted	28	3234-11	1	Screw-HHF
12	322-3	4	Screw-HH	29	5-0652	1	Spacer
13	256-236	2	Bearing-Mount, Flange	30	3296-59	1	Nut-Lock, NI
14	32128-20	6	Nut-HF	32	117-2718	1	Decal-Arrester, Spark
15	3274-83	1	Screw-HSH				

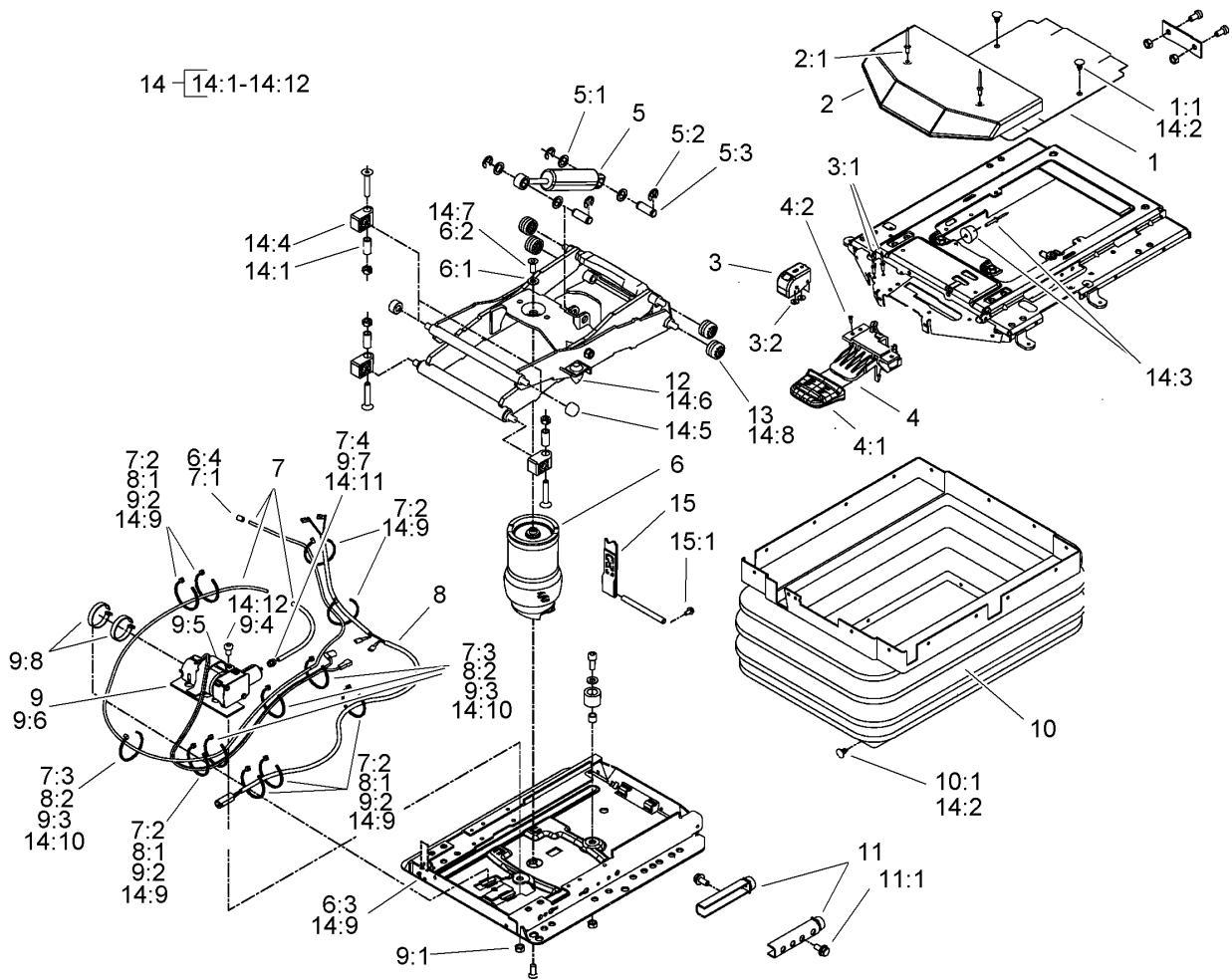


## Seat and Seat Frame Assembly

Ref.	Part Number	Qty.	Description	Ref.	Part Number	Qty.	Description
1	115-4400-03	1	Seat Frame ASM	18:1		1	Seat Suspension ASM ● ■
2	115-4411-03	1	Seat Plate ASM	18:2		1	Seat-Premium ● ▲
3	104-4821	1	Spring-Torsion	19	322-3	1	Screw-HH
4	115-4423-03	1	Latch-Seat Plate	20	110-0413	1	Seatbelt-Retractable
5	110-0618	1	Pin-Clevis	21	3212-4	1	Screw-HH
6	3256-2	1	Washer-Flat	22	112-7437-03	1	Channel-Support
7	3272-6	1	Pin-Cotter	23	112-7446-03	1	Support-Arm
8	3290-307	2	Pin-Hair	24	112-7449-03	1	Bracket-Support
9	117-4797-03	2	Rod-Seat Frame	26	17-7190	1	Spacer-Finger
10	3272-10	2	Pin-Cotter	27	3212-8	1	Screw-HH
11	3256-25	3	Washer-Flat	28	3230-23	5	Screw-CARR
12	3290-467	1	Pin-Hair	29	104-8300	9	Nut-Flange, NI
13	75-3400	1	Shaft-Pivot, Seat	30	108-8646	1	Screw-HH, Lock
15	3256-24	2	Washer-Flat	32	112-7405	1	Nut-Hex, Coupling
16	3234-42	4	Screw-HHF	33	237-136	1	Grommet
17	104-8301	4	Nut-Flange, NI	34	3234-47	4	Screw-HHF
18	108-1518	1	Seat And Suspension ASM				

● Not serviced separately  
▲ Serviced under Model Number 30622

■ Serviced under Model Number 30621



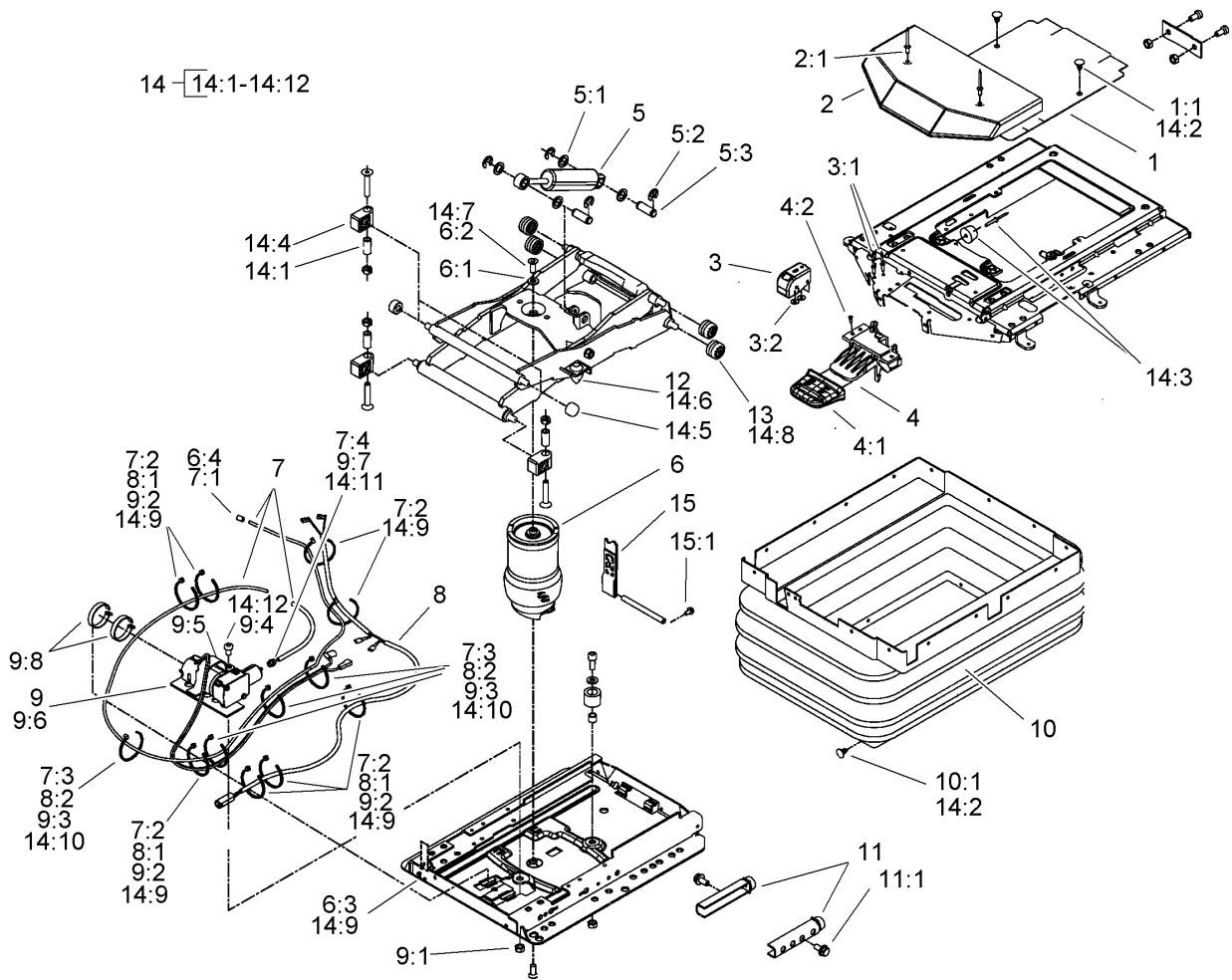
## Air Ride Seat Suspension Assembly Model No. 30621

Ref.	Part Number	Qty.	Description
1	108-8026	1	Cover ASM
1:1	39-5710	2	Plug-Plastic
2	108-8027	1	Cover ASM
2:1		2	Rivet ■
3	108-8028	1	Level Control Kit
3:1		2	Rivet ■
3:2		2	Washer ■
4	108-8029	1	Air Control Valve ASM
4:1		1	Handle ■
4:2		3	Screw ■
5	108-8030	1	Shock Absorber Kit
5:1		4	Washer ■
5:2		4	C-Clip ■
5:3		2	Pin ■
6	108-8031	1	Air Spring Kit
6:1		1	Washer ■
6:2		2	Screw ■
6:3		1	Tie-Wire ■
6:4		1	Nipple-Hose ■
7	108-8032	1	Air Tube ASM
7:1		1	Nipple-Hose ■
7:2		7	Tie-Wire ■
7:3		4	Tie-Wire ■
7:4		1	Nipple-Hose ■
8	108-8033	1	Connecting Cable ASM
8:1		8	Tie-Wire ■

Ref.	Part Number	Qty.	Description
8:2		4	Tie-Wire ■
9	108-8034	1	Compressor Kit
9:1		1	Nut ■
9:2		5	Tie-Wire ■
9:3		4	Tie-Wire ■
9:4		1	Screw ■
9:5		1	Compressor ■
9:6		1	Plate-Mounting ■
9:7		1	Nipple-Hose ■
9:8		2	Clamp ■
10	108-8035	1	Bellows ASM
10:1	39-5710	23	Plug-Plastic
11	108-8036	1	Stop Kit
11:1		2	Screw ■
12	107-1213	2	Bumper Set
13	108-8037	4	Roller
14	108-8038	1	Wear Parts Kit ●
14:1		4	Spacer ■
14:2	39-5710	2	Plug-Plastic
14:3		1	Bumper ■
14:4		4	Support-Housing ■
14:5		2	Roller ■
14:6	107-1213	2	Bumper Set
14:7		2	Screw ■
14:8	108-8037	4	Roller
14:9		9	Tie-Wire ■

● Not illustrated

■ Not serviced separately

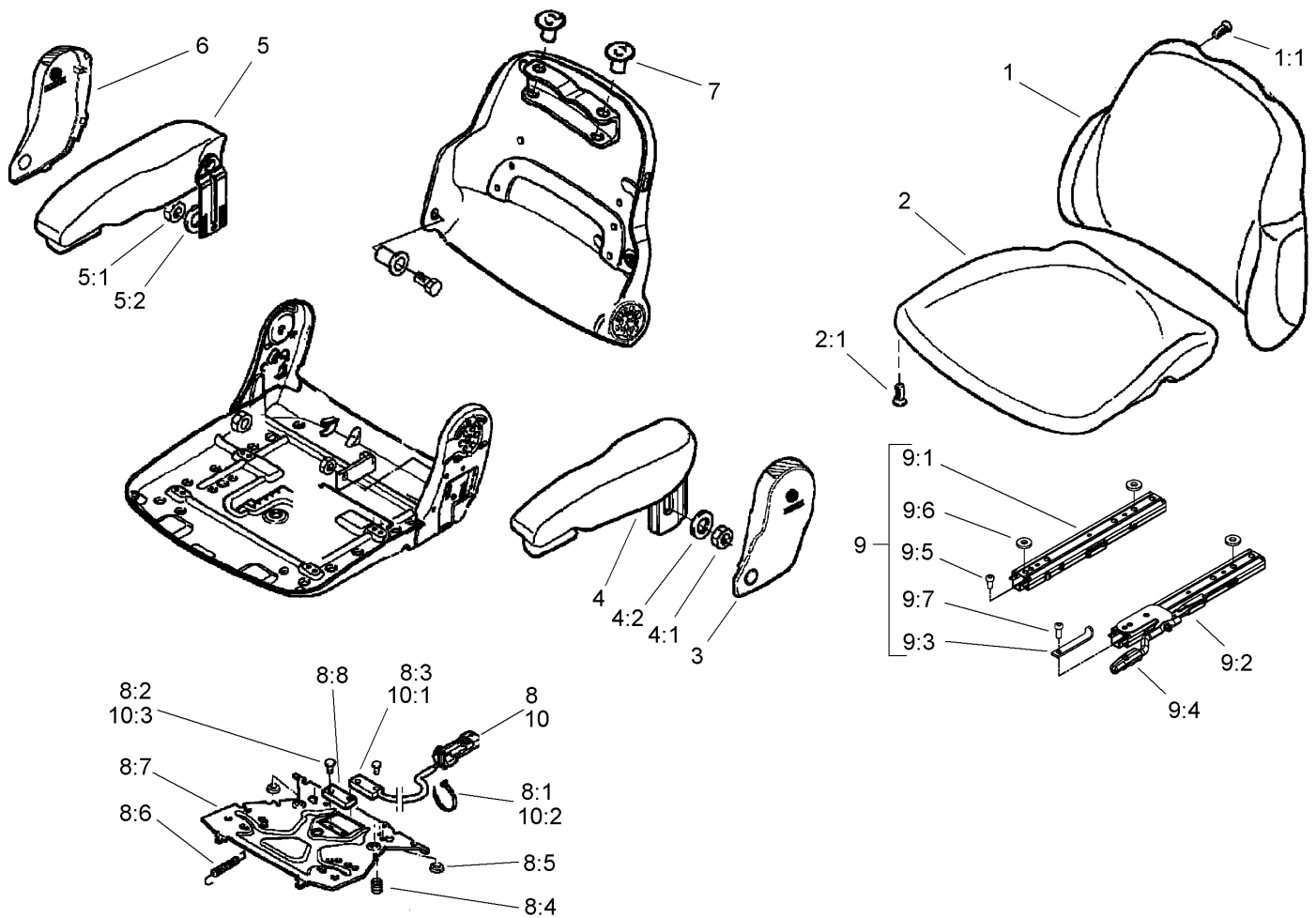


## Air Ride Seat Suspension Assembly Model No. 30621 (continued)

Ref.	Part Number	Qty.	Description	Ref.	Part Number	Qty.	Description
14:10		4	Tie-Wire ■	15	108-8023	1	Tether
14:11		1	Nipple-Hose ■	15:1		4	Screw ■
14:12		1	Screw ■				

● Not illustrated

■ Not serviced separately

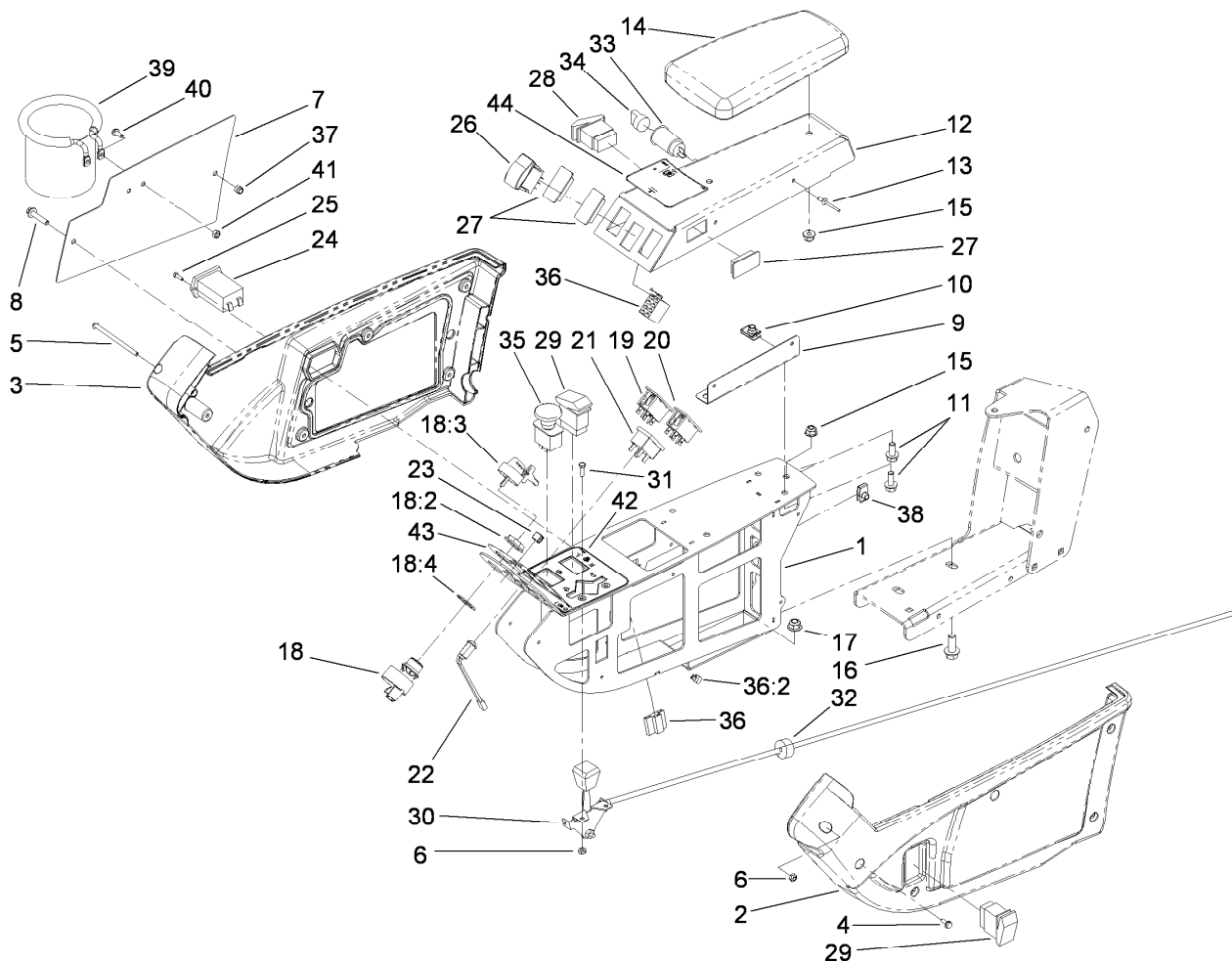


## Premium Seat Assembly Model No. 30622

Ref.	Part Number	Qty.	Description
1	108-8016	1	Backrest Cushion ASM
1:1		3	Screw ●
2	108-8017	1	Seat Cushion ASM
2:1		4	Screw ●
3	108-8018	1	Cover-Armrest
4	108-8019	1	LH Armrest ASM
4:1	82-9650	1	Nut
4:2	107-1198	1	Washer
5	108-8020	1	RH Armrest ASM
5:1	82-9650	1	Nut
5:2	107-1198	1	Washer
6	108-8021	1	Cover-Armrest
7	108-8022	2	Cover-Black
8	108-8024	1	Switch Kit
8:1		3	Wire Tie ●
8:2		4	Rivet ●
8:3		1	Switch ●
8:8		1	Magnet ●
8:10		1	Switch Kit
8:10:1		1	Switch ●
8:10:2		3	Wire Tie ●
8:10:3		2	Rivet ●
8:6		1	Spring-Return ●
8:7		1	Plate-Mounting ●
8:5		2	Bumper ●
8:4		2	Spring ●

Ref.	Part Number	Qty.	Description
8:4		2	Spring ●
8:5		2	Bumper ●
8:6		1	Spring-Return ●
8:7		1	Plate-Mounting ●
8:8		1	Magnet ●
9	108-8025	1	Adjustment Rail Set
9:1		1	Rail-Adjustment, RH ●
9:2		1	Rail-Adjustment, LH ●
9:3		1	Stop-Rail ●
9:4		1	Handle ●
9:5		3	Screw ●
9:6		3	Washer ●
9:7		1	Screw ●
10	110-6189	1	Switch Kit
10:1		1	Switch ●
10:2		3	Wire Tie ●
10:3		2	Rivet ●

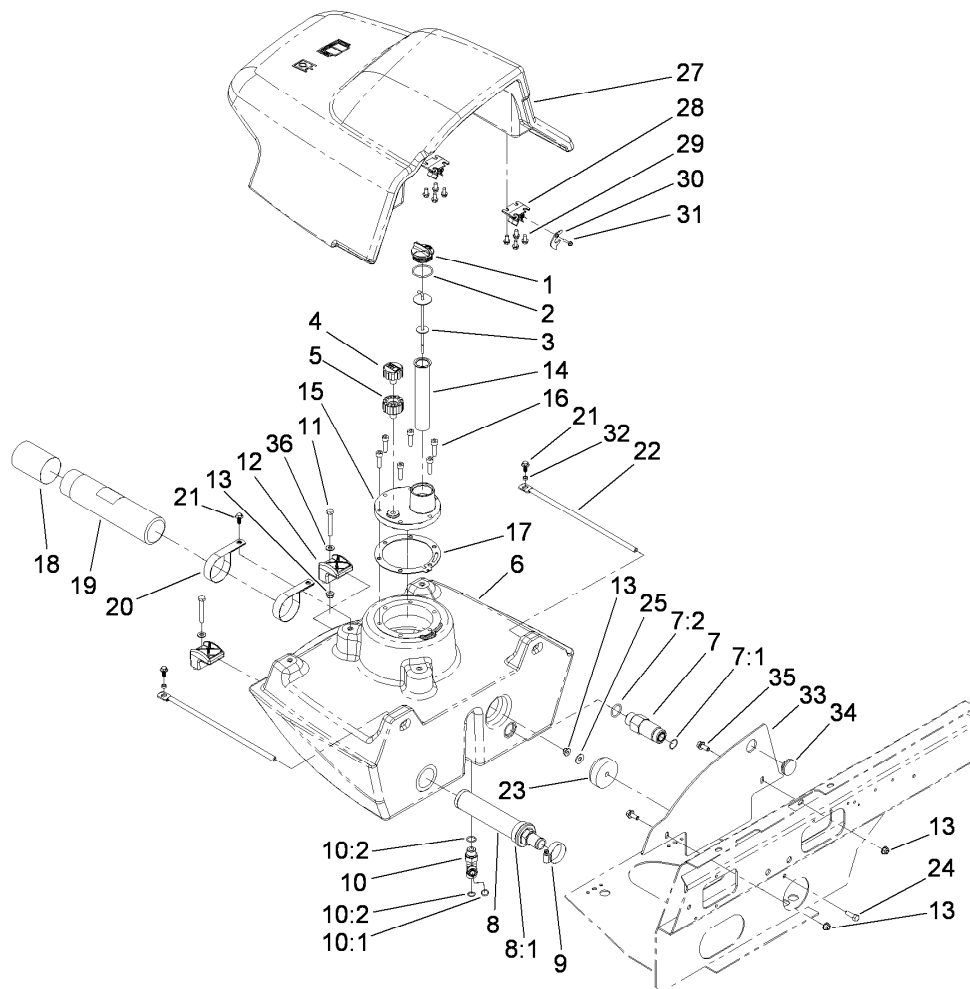
● Not serviced separately



## Control Console Assembly

Ref.	Part Number	Qty.	Description
1	115-4430-03	1	Control Arm Frame ASM
2	108-7604	1	Cover-LH
3	108-7605	1	Cover-RH
4	32144-112	10	Screw-HWH
5	3250-22	1	Screw-PPH
6	3296-12	3	Nut-Lock, NI
7	115-8849-03	1	Plate-Cover
8	3234-21	2	Screw-HHF
9	112-7404	1	Angle-Mounting
10	94-2413	4	U-Nut
11	3234-5	5	Screw-HHF
12	117-2380-03	1	Panel-Switches, Control Arm
13	3290-409	2	Rivet
14	108-7602	1	Rest-Arm
15	104-8300	3	Nut-Flange, NI
16	3234-42	2	Screw-HHF
17	104-8301	2	Nut-Flange, NI
18	106-5269	1	Ignition Switch ASM
18:2	108-8660	1	Nut-Mounting
18:3	106-5270	1	Key Set-Ignition
18:4	108-8659	1	Washer-Backup
19	100-8070	1	Lamp-Warning
20	100-8071	1	Lamp-Warning
21	110-0941	1	Gauge-Temperature

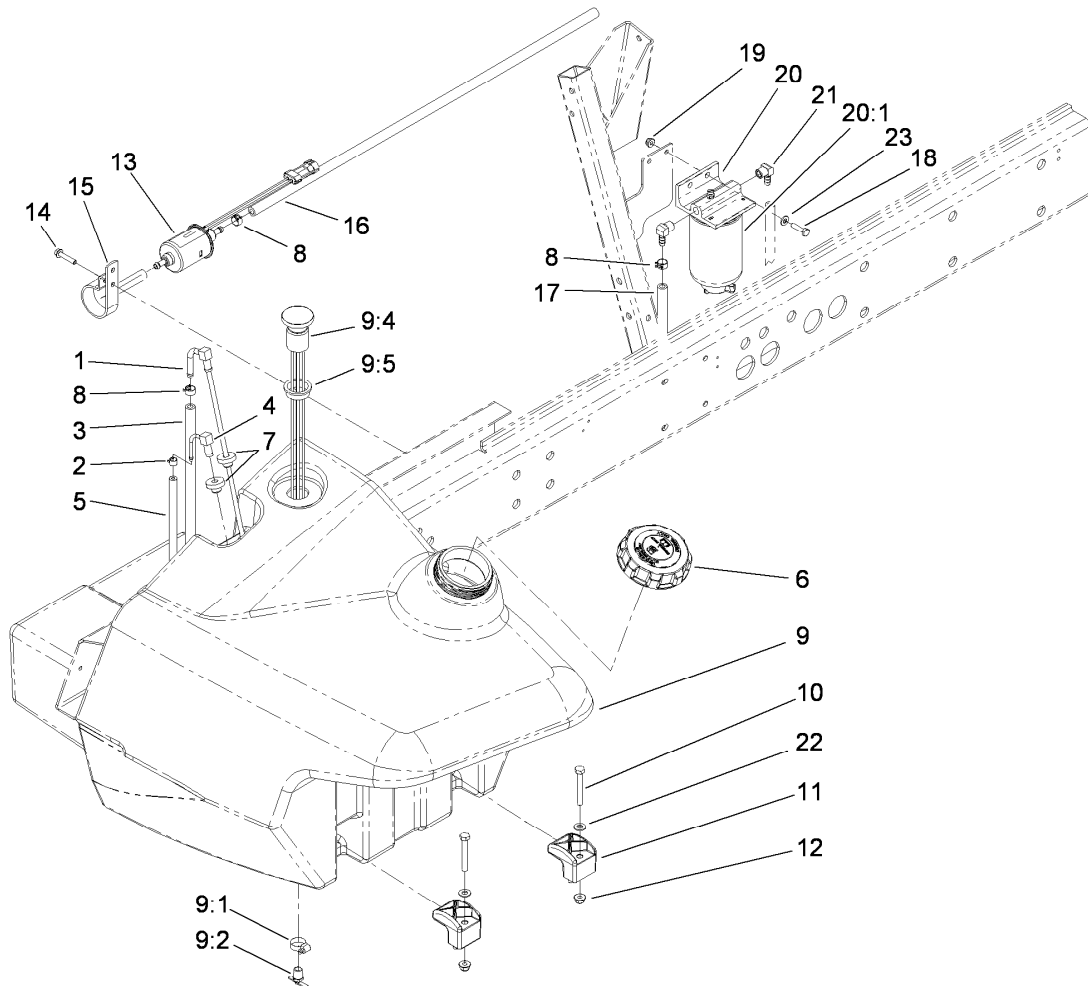
Ref.	Part Number	Qty.	Description
22	95-7652	1	Light-Indicator
23	2410-64	1	Plug-Button
24	75-6820	1	Hourmeter
25	32144-18	2	Screw-HH
26	100-1535	3	Switch
27	99-7420	1	Plug-Hole
28	106-2027	1	Switch-Intermittent
29	95-8999	2	Switch
30	115-9117	1	Cable-Throttle
31	3290-134	2	Screw
32	110-8911	1	Seal-Foam
33	99-7411	1	Point-Power
34	99-7416	1	Cap
35	93-9999	1	Switch-PTO
36	115-9104	1	Harness-Seat/Console
36:2	104-4022	1	Resistor-75 Ohm
37	110-0542	2	Spacer-Flange
38	107069	2	Clip
39	117-2378	1	Holder-Bag
40	3290-321	2	Screw-HWH
41	3296-2	2	Nut-Lock, NI
42	117-2384	1	Decal-Console, Lower
43	117-2385	1	Decal-Console, Upper
44	117-2387	1	Decal-Lift



## Hydraulic Filter and Reservoir Assembly

Ref.	Part Number	Qty.	Description
1	93-7498	1	Plug-Plastic
2	237-101	1	O-Ring
3	94-9411	1	Dipstick
4	68-6150	1	Breather
5	92-8020	1	Adapter-Breather
6	114-8116	1	Tank-HYD
7	92-6058	1	Fitting-HYD
7:1	237-81	1	O-Ring
7:2	237-58	1	O-Ring
8	104-7546	1	Strainer-Tank
8:1	340-136	1	O-Ring
9	2412-111	2	Clamp
10	340-109	1	Fitting-HYD, Tee
10:1	237-79	1	O-Ring
10:2	237-30	2	O-Ring
11	322-11	2	Screw-HH
12	107-4543	2	Clamp
13	104-8300	5	Nut-Flange, NI
14	61-2790	1	Filter-Screen
15	108-7641	1	Cap-Tank, HYD

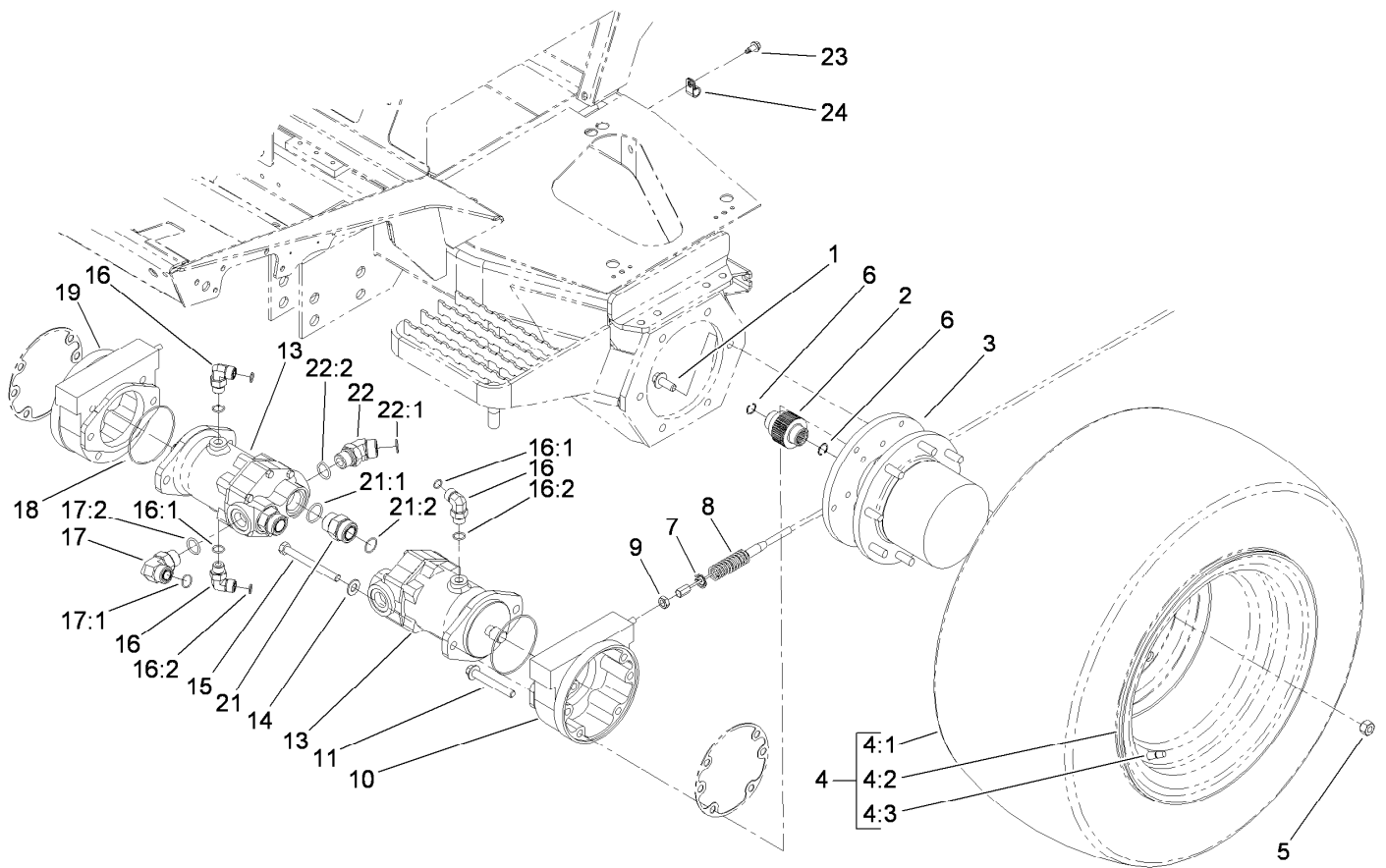
Ref.	Part Number	Qty.	Description
16	94-3559	6	Screw-HSH
17	94-2660	1	Gasket-Flange
18	104-7048	1	Cap-Housing
19	104-7050	1	Tube-Manual
20	2412-133	2	R-Clamp
21	99-6810	4	Screw-HH
22	114-8136	2	Rail-Slide
23	108-1605	1	Bumper-Recess
24	322-5	1	Screw-HH
25	3256-3	1	Washer-Flat
27	114-8133	1	Cover-HYD Tank
28	114-8137	4	Clip-Retainer
29	46-8093	16	Screw-Plastite
30	115-4350	2	Latch-Cover
31	98-1375	2	Screw-HWH
32	115-4355	2	Spacer
33	115-4397-03	1	Plate-HYD Tank
34	110-5333	1	Grommet-Plug
35	3234-47	2	Screw-HHF
36	3256-23	2	Washer-Flat



## Fuel Tank and Filter Assembly

<i>Ref.</i>	<i>Part Number</i>	<i>Qty.</i>	<i>Description</i>
1	115-4354	1	Tube-Suction, Fuel
2	2412-80	2	Clamp-Line, Fuel
3	110-3257	1	Hose-Fuel
4	104-5605	1	Fitting-Return
5	110-0471	1	Hose-Fuel
6	114-5062	1	Cap-Biodiesel
7	46-6560	2	Bushing
8	92-2379	6	Clamp-Hose
9	115-4353	1	Fuel Tank ASM
9:1	2412-36	1	Clamp-Hose
9:2	304-46	1	Draincock
9:4	117-4790	1	Gauge-Fuel
9:5	95-8972	1	Grommet
10	322-11	2	Screw-HH

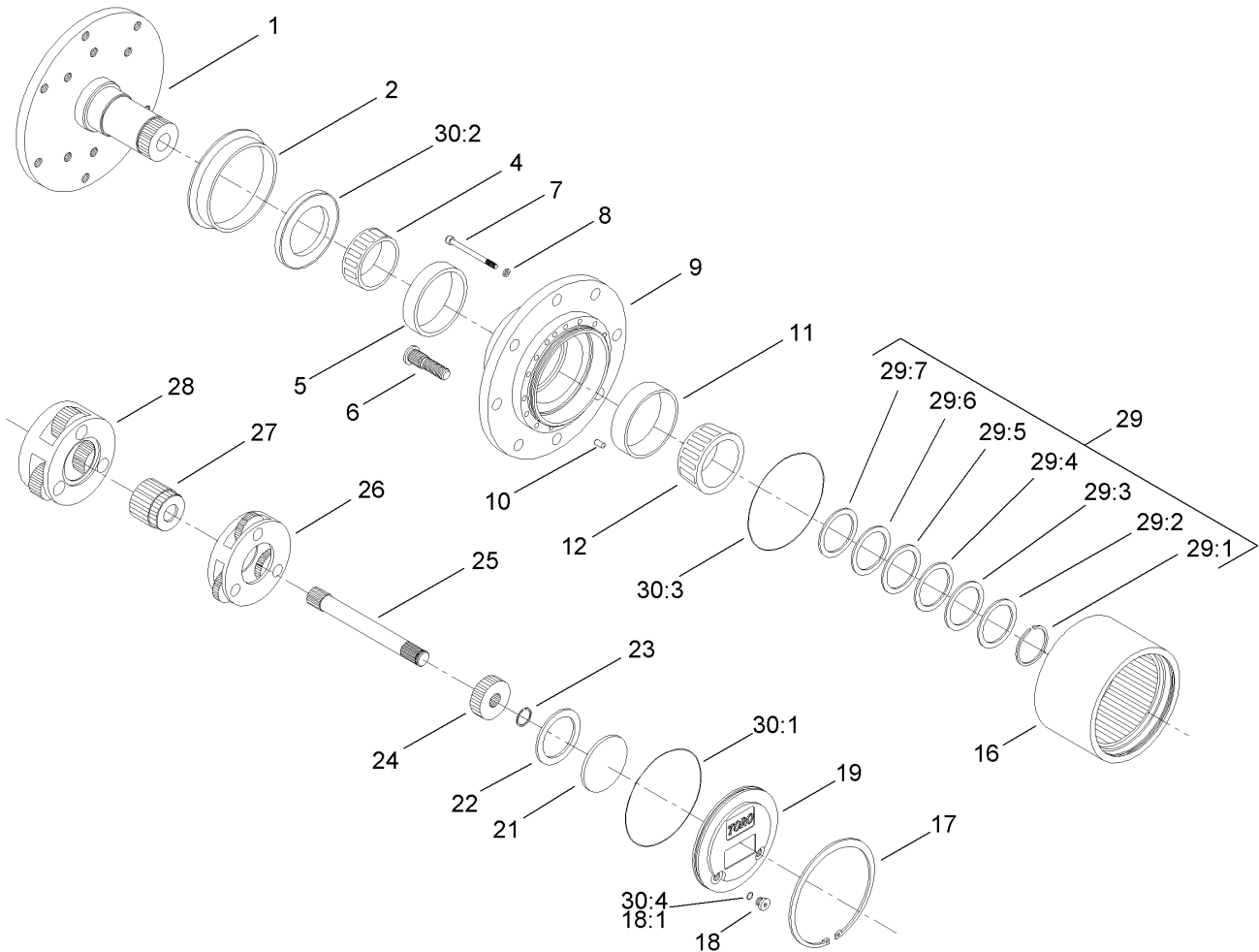
<i>Ref.</i>	<i>Part Number</i>	<i>Qty.</i>	<i>Description</i>
11	107-4543	2	Clamp
12	104-8300	2	Nut-Flange, NI
13	110-8806	1	Pump-Fuel
14	32144-110	1	Screw-HWH
15	110-8817	1	Bracket-Pump, Fuel
16	109-0309	1	Hose-Fuel
17	110-4109	1	Hose-Fuel
18	321-6	2	Screw-HH
19	104-7201	2	Nut-HF
20	110-9044	1	Filter-Seperator
20:1	110-9049	1	Filter-Spin On
21	353-781	2	Fitting-Elbow
22	3256-23	2	Washer-Flat
23	3256-22	2	Washer-Flat



## Front Drive and Brake Assembly

Ref.	Part Number	Qty.	Description	Ref.	Part Number	Qty.	Description
1	33106-030	12	Screw-HHF	16	340-98	3	Fitting-HYD, 90 DEG
2	100-3046	2	Shaft-Brake, Splined	16:1	237-79	1	O-Ring
3	105-4500-03	2	Planetary ASM	16:2	237-30	1	O-Ring
4		2	Wheel And Tire ASM ●	17	340-142	2	Fitting-HYD, 90 DEG
4:1	95-3465	1	Tire	17:1	237-58	1	O-Ring
4:2	114-8114	1	Rim (15X12-8)	17:2	237-81	1	O-Ring
4:3	232-24	1	Stem-Valve	18	237-166	2	O-Ring
5	92-7483	16	Nut-Lug	19	100-3069-03	1	Brake ASM
6	93-7972	4	Ring-Retaining, Internal	21	104-3797	4	Fitting-HYD, Straight
7	94-3050	2	Plate-Spring	21:1	237-146	1	O-Ring
8	94-3088	2	Spring-Compression	21:2	340-65	1	O-Ring
9	3218-4	2	Nut-Jam	22	100-5530	2	Fitting-HYD, 45 DEG
10	100-3070-03	1	Brake ASM	22:1	237-58	1	O-Ring
11	33106-090	8	Screw-HHF	22:2	237-81	1	O-Ring
13	105-1218	2	Piston Motor ASM	23	32104-32	2	Screw-HWH
14	3256-26	4	Washer-Flat	24	2412-93	2	Clamp-R
15	33116-120	4	Screw-HH				

● Not serviced separately

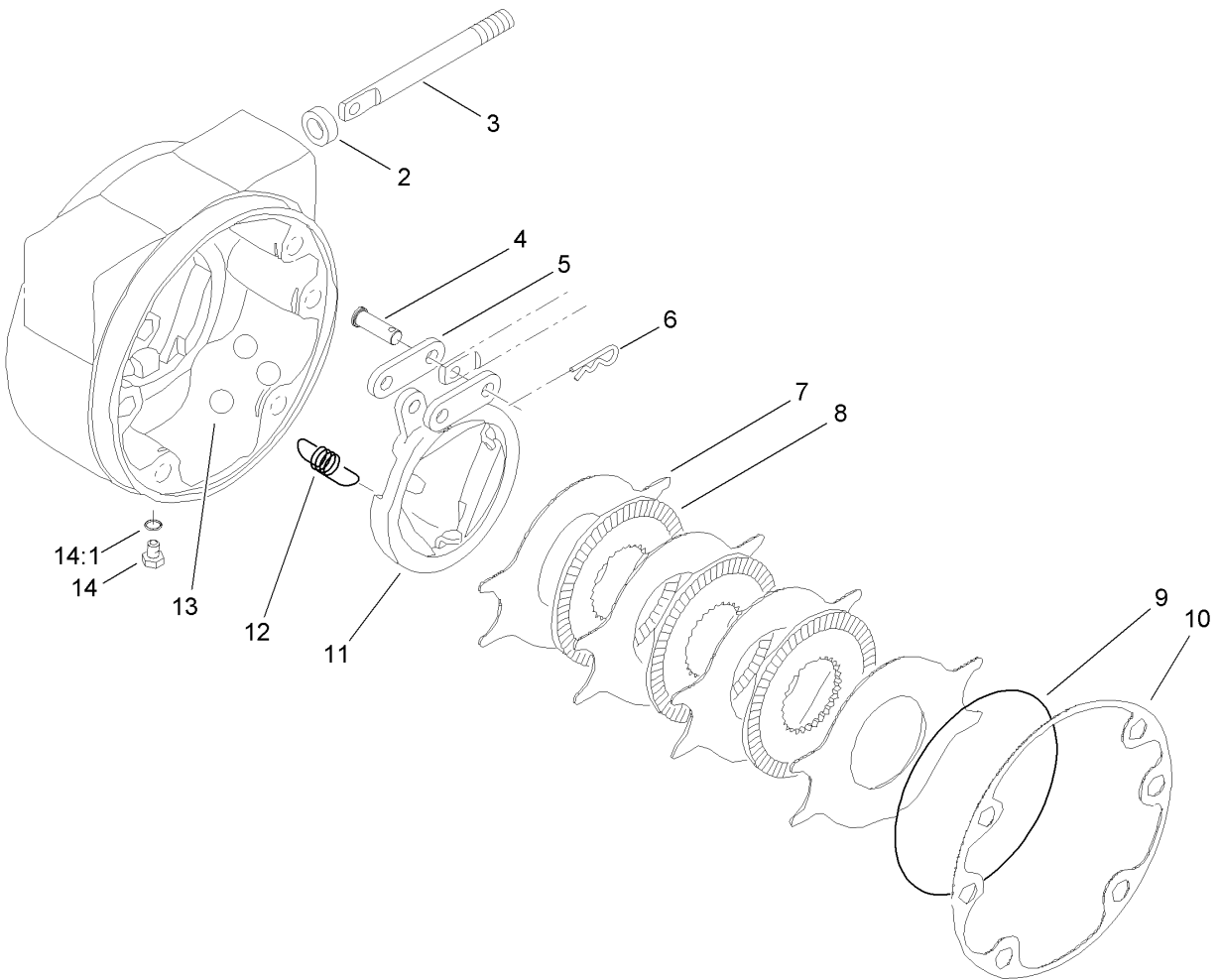


## Planetary Assembly No. 105-4500-03

Ref.	Part Number	Qty.	Description	Ref.	Part Number	Qty.	Description
1		1	Spindle ■	24	105-8114	1	Gear-Primary
2	105-8122	1	Seal-Boot	25	105-8115	1	Shaft-Drive
4	105-8120	1	Bearing-Cone	26	105-8129	1	Primary Carrier ASM
5	105-8119	1	Bearing-Cup	27	105-8139	1	Gear-Secondary
6	105-8124	8	Stud-Wheel	28	105-8130	1	Secondary Carrier ASM
7	105-8125	16	Bolt-Head, Socket	29	105-8136	1	Shim Kit
8	3253-18	16	Washer-Lock	29:1		1	Ring-Snap ■
9		1	Housing ■	29:2		1	Shim-Bearing, 2.9Mm ■
10	105-8121	1	Pin-Dowel	29:3		1	Shim-Bearing, 2.8Mm ■
11	105-8117	1	Bearing-Cup	29:4		1	Shim-Bearing, 2.7Mm ■
12	105-8118	1	Bearing-Cone	29:5		1	Shim-Bearing, 2.6Mm ■
16	105-8113	1	Gear-Ring	29:6		1	Shim-Bearing, 2.5Mm ■
17	105-8132	1	Ring-Retaining	29:7		1	Shim-Bearing, 2.4Mm ■
18	353-990	2	Plug	30	105-8137	1	Seal Kit ●
18:1	237-78	1	O-Ring	30:1		1	O Ring-Flange Cap ■
19	105-8138	1	Cap-End	30:2		1	Seal-Oil ■
21	105-8133	1	Plug-Thrust	30:3		2	O Ring-End Cap ■
22	105-8123	1	Washer-Thrust	30:4	237-78	2	O-Ring
23	105-8131	1	Ring-Retaining				

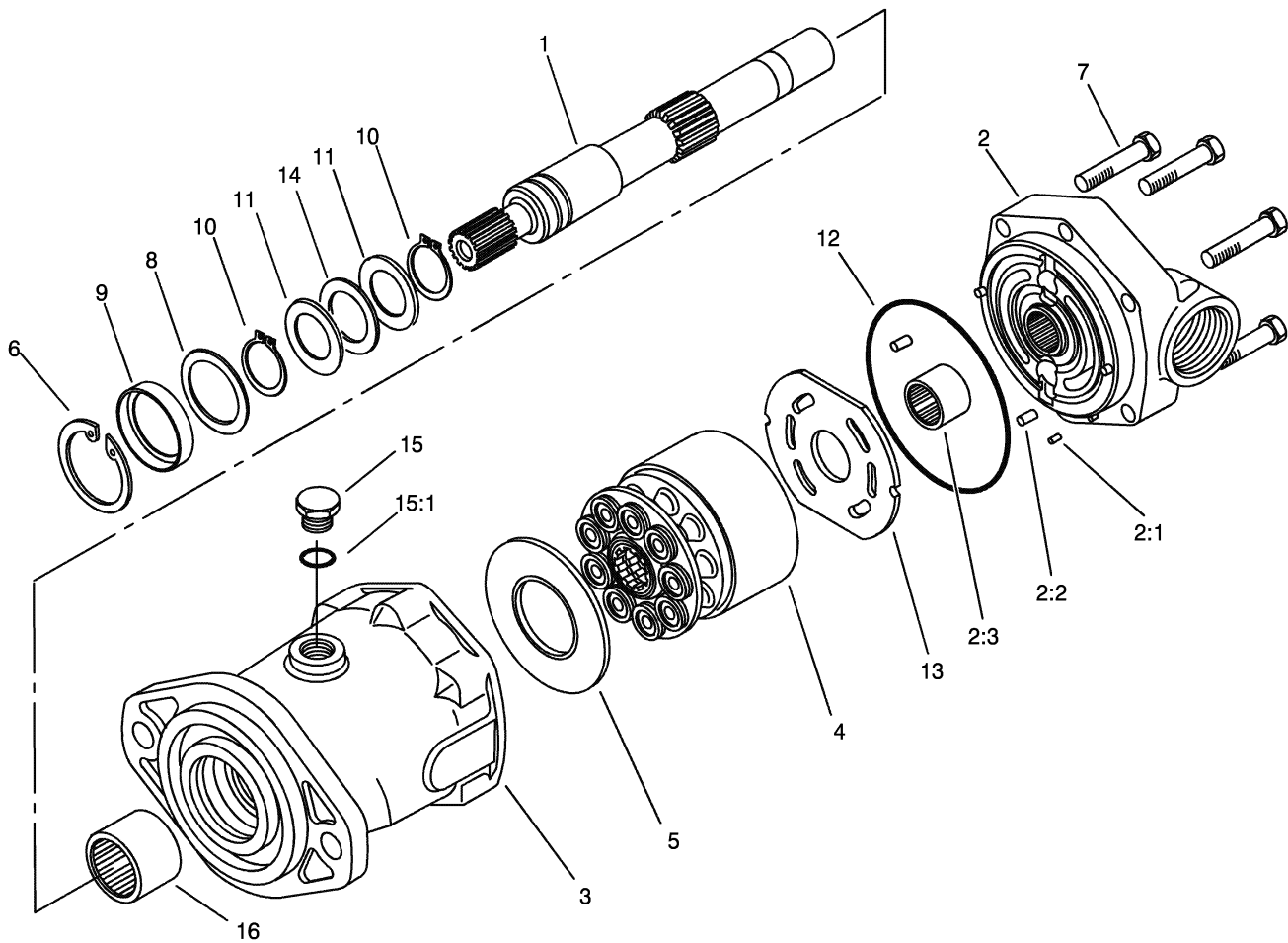
● Not illustrated

■ Not serviced separately



## Brake Assembly No. 100-3070-03

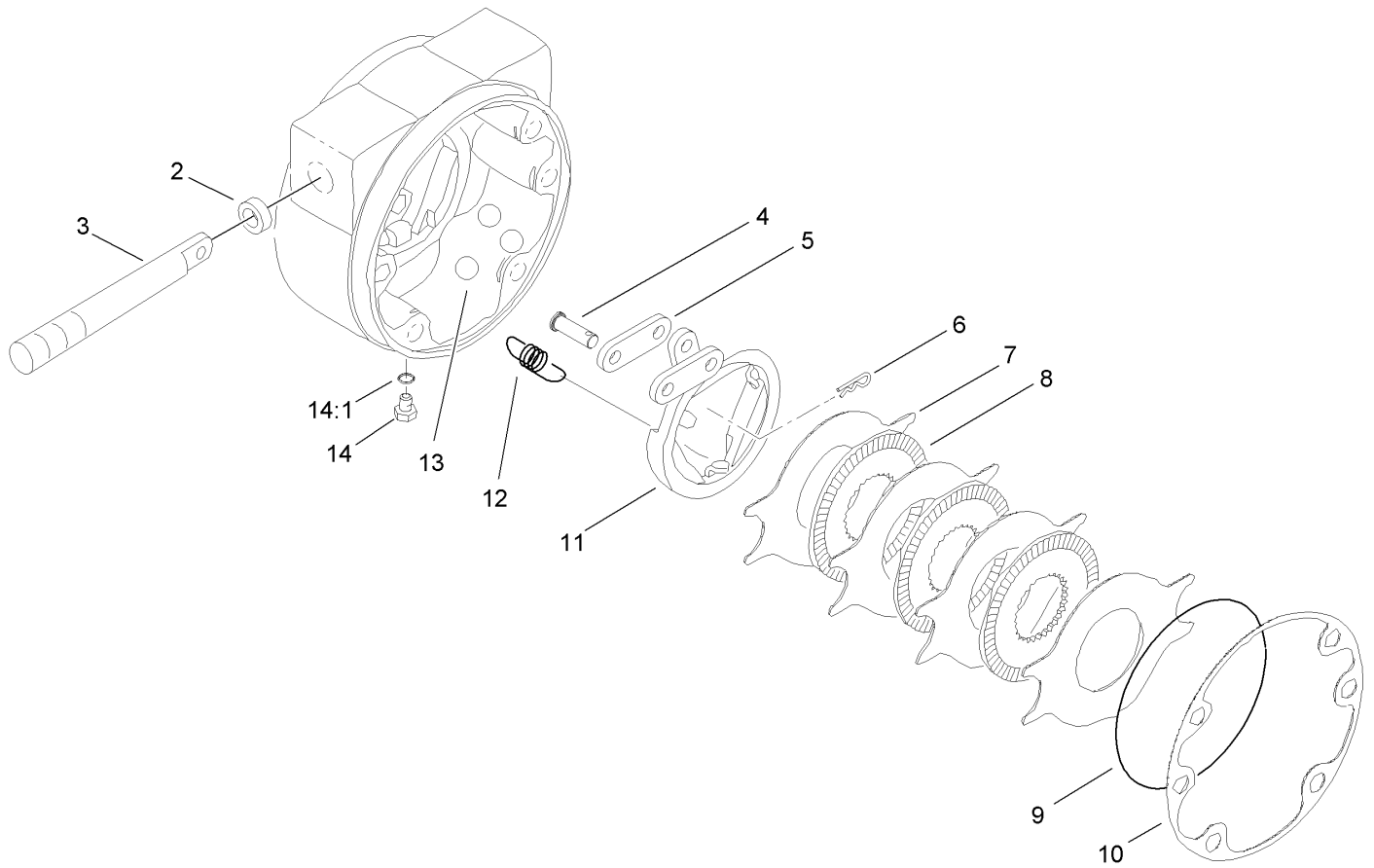
<i>Ref.</i>	<i>Part Number</i>	<i>Qty.</i>	<i>Description</i>
2	93-7977	1	Seal
3	93-7978	1	Rod-Pull
4	93-7983	2	Pin-Clevis
5	93-7980	2	Link
6	93-7979	2	Pin-Hitch
7	93-7986	4	Disc-Stationary
8	104-4278	3	Disc-Rotating
9	93-7976	1	Ring-Retaining
10	93-7984	1	Gasket
11	104-4279	1	Actuator-Rotating
12	93-7987	3	Spring-Extension
13	93-7985	3	Ball
14	353-990	2	Plug
14:1	237-78	1	O-Ring



## Piston Motor Assembly No. 105-1218

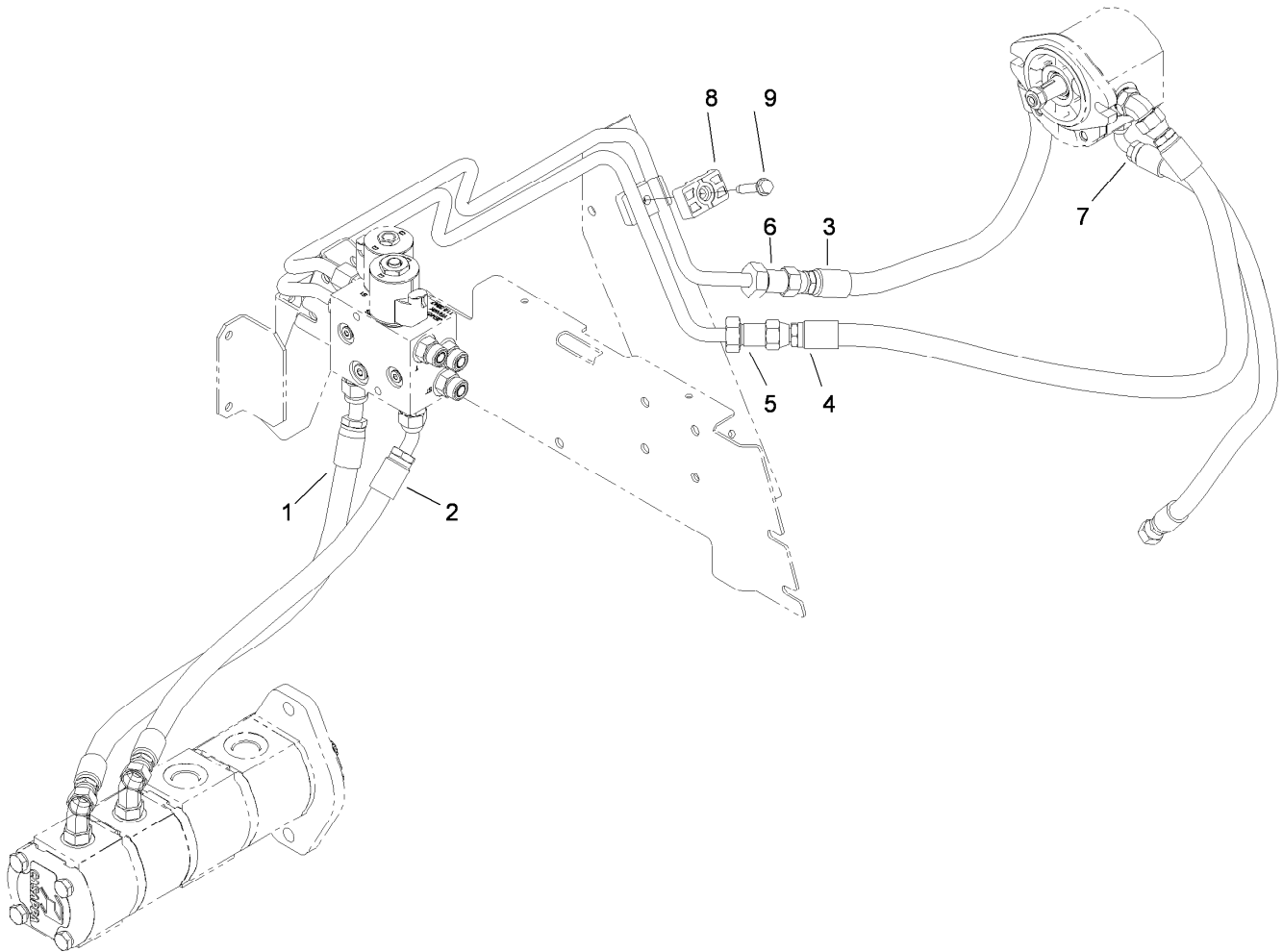
Ref.	Part Number	Qty.	Description
1	94-3004	1	Shaft-Drive, Splined
2	105-2851	1	Backplate ASM
2:1		3	Pin-Dowel ●
2:2		1	Pin-Dowel ●
2:3		1	Bearing-Needle ●
3		1	Housing ●
4	76-6910	1	Rotating Kit
5	76-6970	1	Insert-Plate, Cam
6	60-6260	1	Ring
7	94-3002	6	Capscrew
8	60-6240	1	Washer
9	105-3331	1	Seal-Shaft
10	76-7000	2	Ring-Retaining
11	76-6950	2	Race-Thrust
12	76-6980	1	O-Ring
13	94-3003	1	Plate-Valve
14	76-6960	1	Bearing-Thrust
15	353-550	1	Plug-HYD, HH
15:1	237-79	1	O-Ring
16	63-4390	1	Bearing-Needle

● Not serviced separately



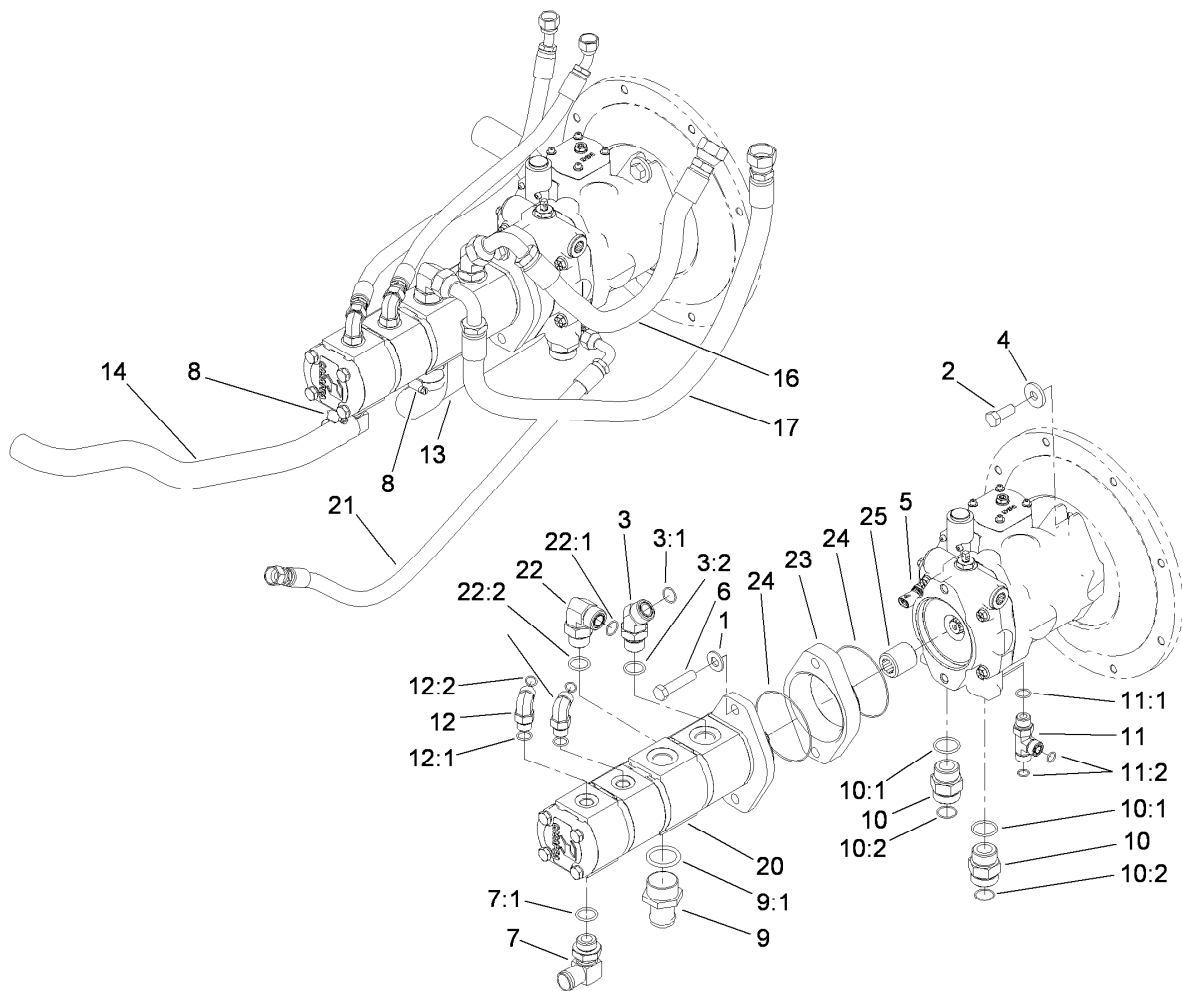
## Brake Assembly No. 100-3069-03

<i>Ref.</i>	<i>Part Number</i>	<i>Qty.</i>	<i>Description</i>
2	93-7977	1	Seal
3	93-7978	1	Rod-Pull
4	93-7983	2	Pin-Clevis
5	93-7980	2	Link
6	93-7979	2	Pin-Hitch
7	93-7986	4	Disc-Stationary
8	104-4278	3	Disc-Rotating
9	93-7976	1	Ring-Retaining
10	93-7984	1	Gasket
11	104-4280	1	Actuator-Rotating
12	93-7987	3	Spring-Extension
13	93-7985	3	Ball
14	353-990	2	Plug
14:1	237-78	1	O-Ring



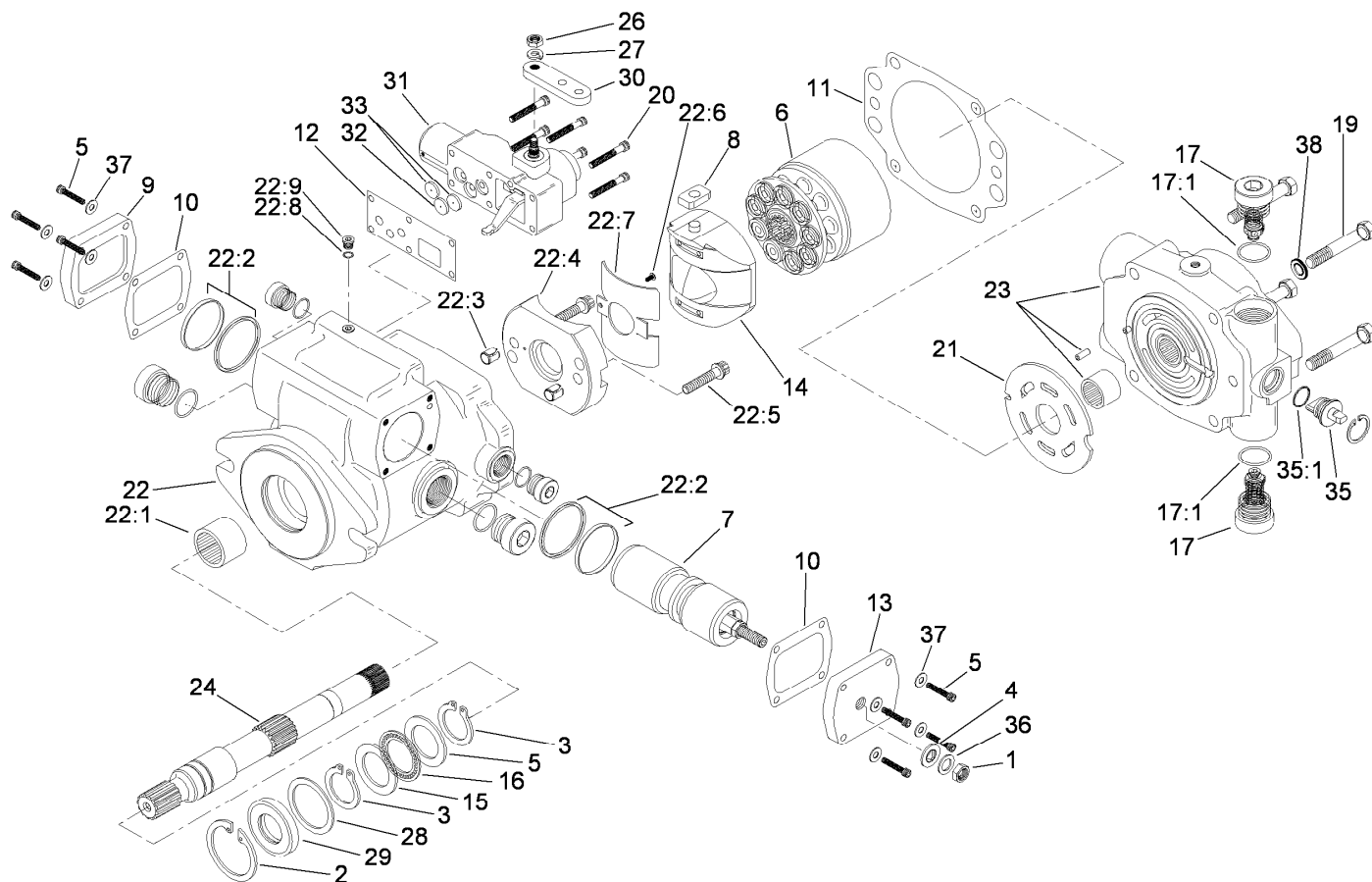
## Fan Plumbing Assembly

<i>Ref.</i>	<i>Part Number</i>	<i>Qty.</i>	<i>Description</i>
1	115-4438	1	Hose ASM
2	115-4439	1	Hose ASM
3	92-2406	1	HYD Hose ASM
4	115-9116	1	Hose ASM
5	115-9122	1	Tube-HYD
6	115-9123	1	Tube-HYD
7	115-4434	1	Hose ASM
8	56-7976	2	Clamp-Tube
9	32144-57	1	Screw



## Hydraulic Pump Assembly

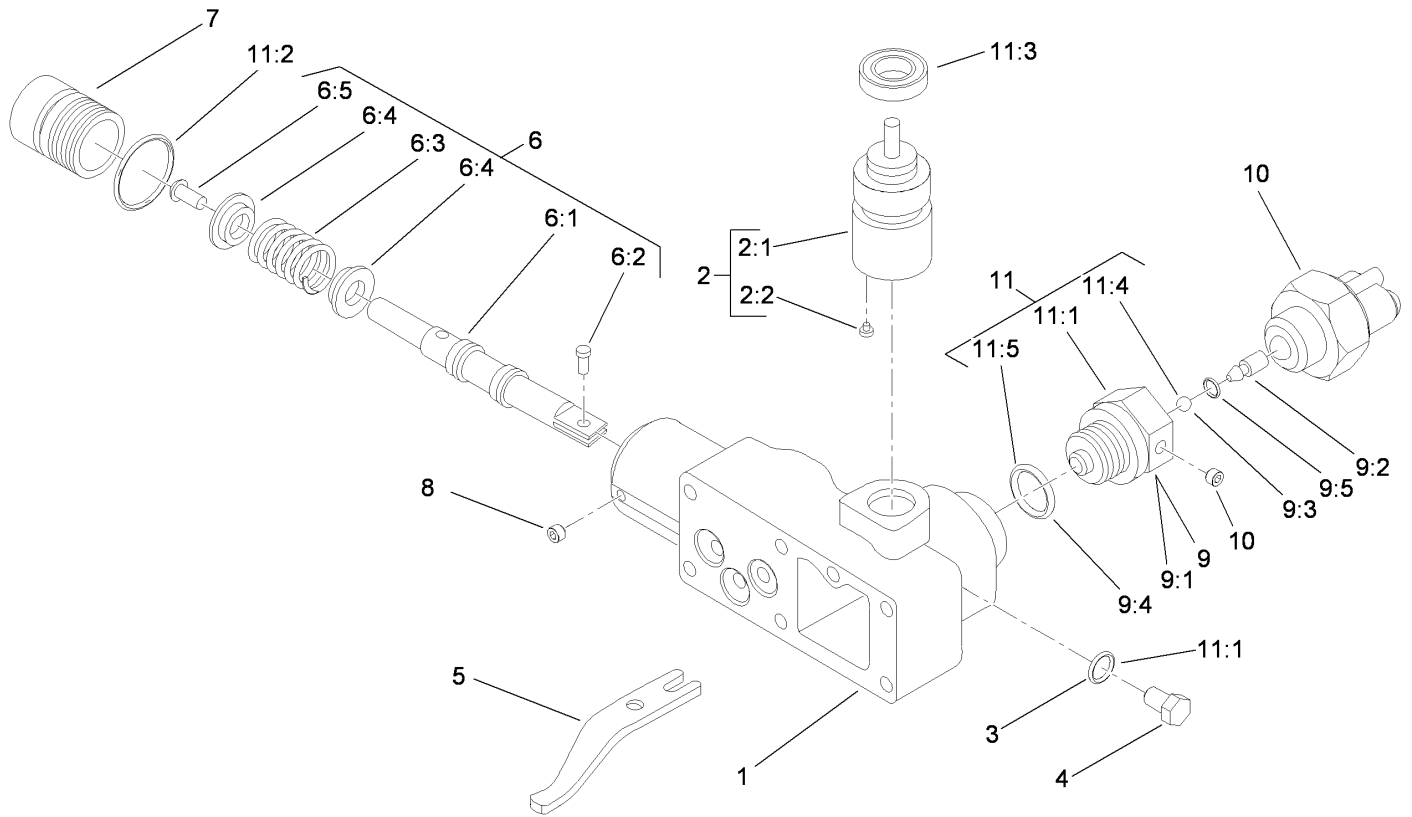
Ref.	Part Number	Qty.	Description	Ref.	Part Number	Qty.	Description
1	87-7270	2	Washer-Thrust	11:1	237-79	1	O-Ring
2	325-5	2	Screw-HH	11:2	237-30	2	O-Ring
3	100-5530	1	Fitting-HYD, 45 DEG	12	340-98	2	Fitting-HYD, 90 DEG
3:1	237-58	1	O-Ring	12:1	237-79	1	O-Ring
3:2	237-81	1	O-Ring	12:2	237-30	1	O-Ring
4	110-6147	2	Washer-Flat	13	115-4449	1	Hose
5	114-4188	1	Piston Pump ASM	14	115-4447	1	Hose-Suction
6	325-9	2	Screw-HH	16	117-4762	1	Hose ASM
7	100-4202	1	Fitting-HYD, 90 DEG	17	115-4384	1	Hose ASM
7:1	237-81	1	O-Ring	20	114-4189	1	4 Section Pump ASM
8	2412-130	2	Clamp-Hose	21	105-3985	1	Hose ASM
9	104-5480	1	Fitting-Hose, Straight	22	340-142	1	Fitting-HYD, 90 DEG
9:1	237-123	1	O-Ring	22:1	237-58	1	O-Ring
10	104-3797	2	Fitting-HYD, Straight	22:2	237-81	1	O-Ring
10:1	237-146	1	O-Ring	23	115-3757	1	Spacer-Pump
10:2	340-65	1	O-Ring	24	115-3009	2	O-Ring
11	340-109	1	Fitting-HYD, Tee	25	115-3011	1	Coupler-Pump



## Piston Pump Assembly No. 114-4188

Ref.	Part Number	Qty.	Description	Ref.	Part Number	Qty.	Description
1	3220-3	1	Nut-HJ	22:2		2	Seal ASM ●
2	60-6260	1	Ring	22:3		2	Dowel-Bushing ●
3	76-7000	2	Ring-Retaining	22:4		1	Cradle ASM ●
4	94-3027	1	Washer-Seal	22:5		2	Screw ●
5	93-6337	8	Screw	22:6		1	Screw ●
6	105-9851	1	Rotating Kit	22:7		1	Bushing ●
7	105-4572	1	Servo Piston ASM	22:8		1	O-Ring ●
8	94-3032	1	Follower-Piston	22:9		1	Plug ●
9	94-3033	1	Plate-Cover	23	115-4445	1	Endcover Sub ASM
10	93-6339	2	Gasket	24	115-3008	1	Shaft-Drive
11	105-2900	1	Gasket-Housing	26	93-6327	1	Nut
12	105-2901	1	Gasket-Housing, Control	27	3253-3	1	Washer-Lock
13	105-9853	1	Plate-Cover	28	60-6240	1	Washer
14	94-3026	1	Camplate ASM	29	105-3331	1	Seal-Shaft
15	76-6950	2	Race-Thrust	30	110-0036	1	Arm-Control
16	76-6960	1	Bearing-Thrust	31	115-4446	1	Manual Servo Control ASM
17	105-2857	2	Valve-Relief	32	105-2909	1	Orifice-Control, .036 Dia
17:1		1	O-Ring ●	33	94-3041	2	Orifice-Control (.028 Dia)
19	323-45	4	Screw-HH	35	105-2864	1	Valve-Bypass
20	93-6324	6	Screw	35:1		1	O-Ring ●
21	105-9854	1	Plate-Valve	36	94-3030	1	Washer
22	105-9855	1	Housing ASM	37	93-6336	8	Washer
22:1		1	Bearing ●	38	105-9762	4	Washer

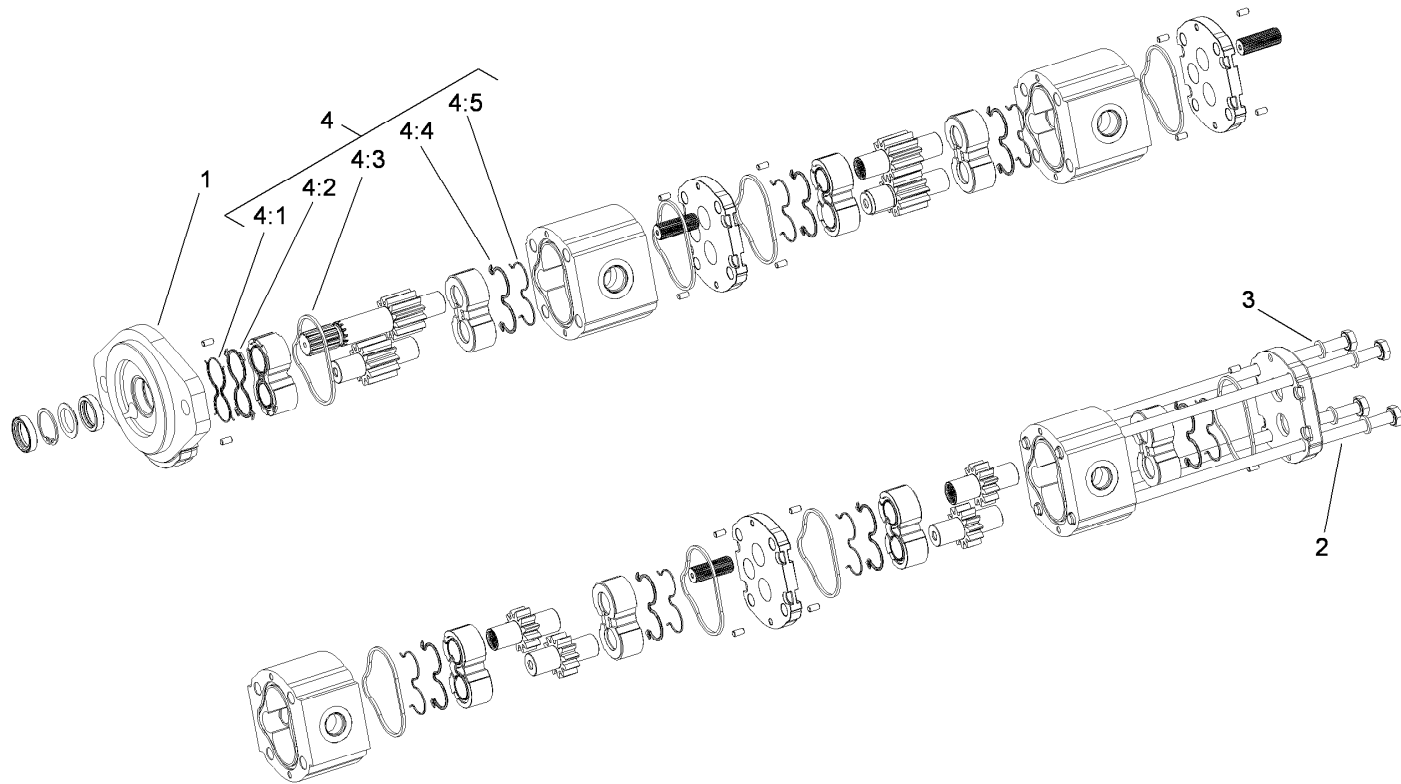
● Not serviced separately



## Control Assembly No. 115-4446

Ref.	Part Number	Qty.	Description	Ref.	Part Number	Qty.	Description
1		1	Housing-Control ●	8		2	Screw-Set ●
2	108-7099	1	Input Control Shaft ASM	9	108-8003	1	Adaptor ASM
2:1		1	Shaft ●	9:1		1	Adaptor-Lockout, Neutral ●
2:2		1	Pin ●	9:2		1	Pin ●
3		1	O-Ring ●	9:3		1	Ball ●
4		1	Plug ●	9:4		1	O-Ring ●
5		1	Link-Feedback ●	9:5		1	O-Ring ●
6	108-7098	1	Valve Spool ASM	10	115-3795	1	Switch-Neutral
6:1		1	Valve-Spool ●	11	94-3044	1	Seal Kit
6:2		1	Pin-Dowel ●	11:1		1	O-Ring ●
6:3		1	Spring ●	11:2		1	O-Ring ●
6:4		2	Retainer ●	11:3		1	Seal-Wiper ●
6:5		1	Screw ●	11:4		1	O-Ring ●
7		1	Plug ●	11:5		1	O-Ring ●

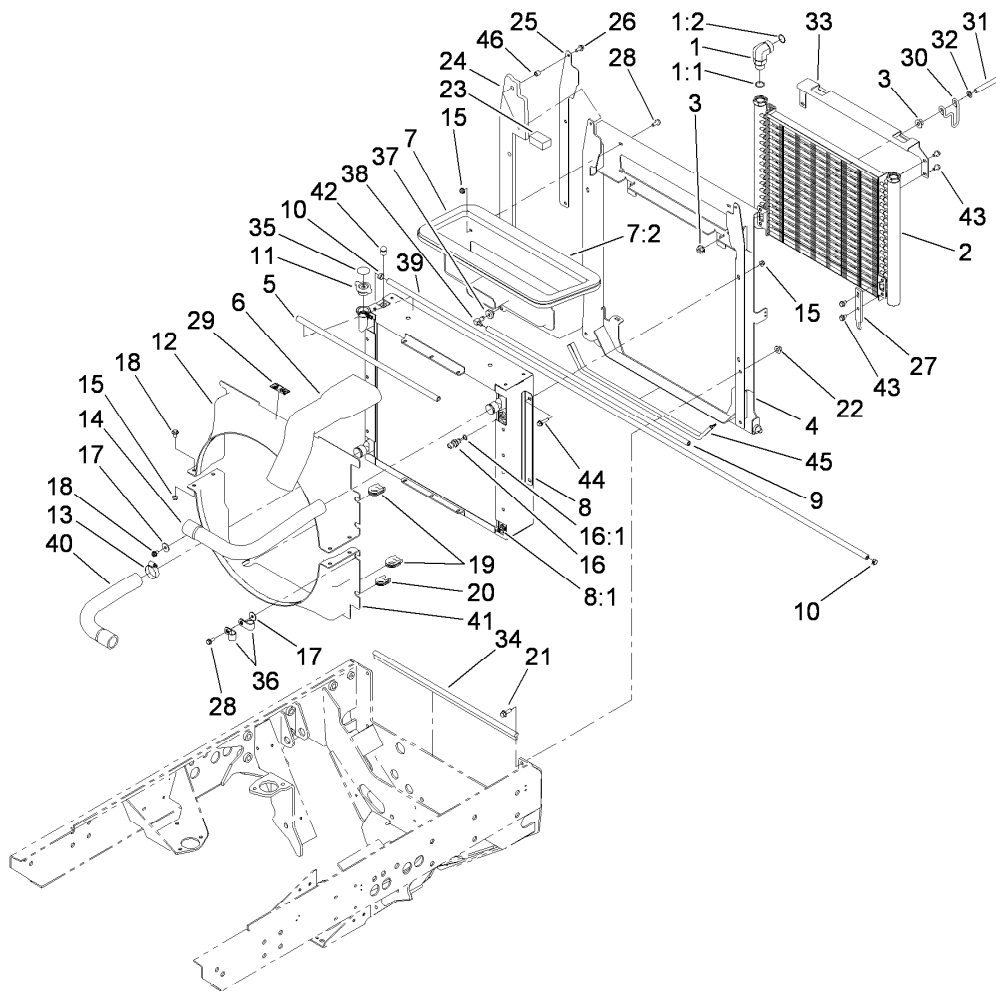
● Not serviced separately



## Four Section Pump Assembly No. 114-4189

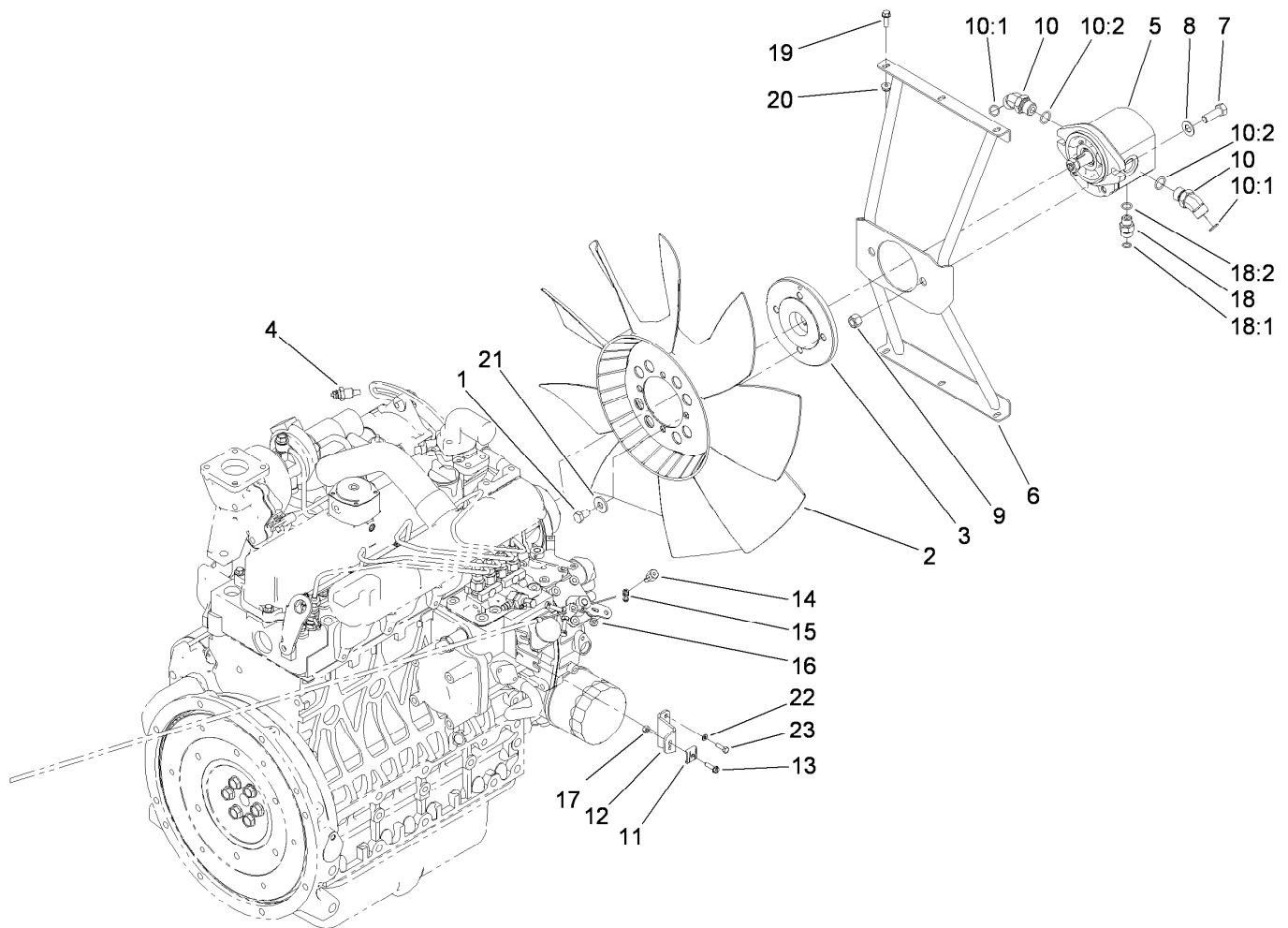
<i>Ref.</i>	<i>Part Number</i>	<i>Qty.</i>	<i>Description</i>
1	115-3774	1	Cover-Front
2	115-4444	4	Bolt
3	115-9138	4	Washer
4	115-3776	1	Seal Kit
4:1		1	Seal ●
4:2		1	Seal ●
4:3		8	Seal ●
4:4		7	Seal ●
4:5		7	Seal ●

● Not serviced separately



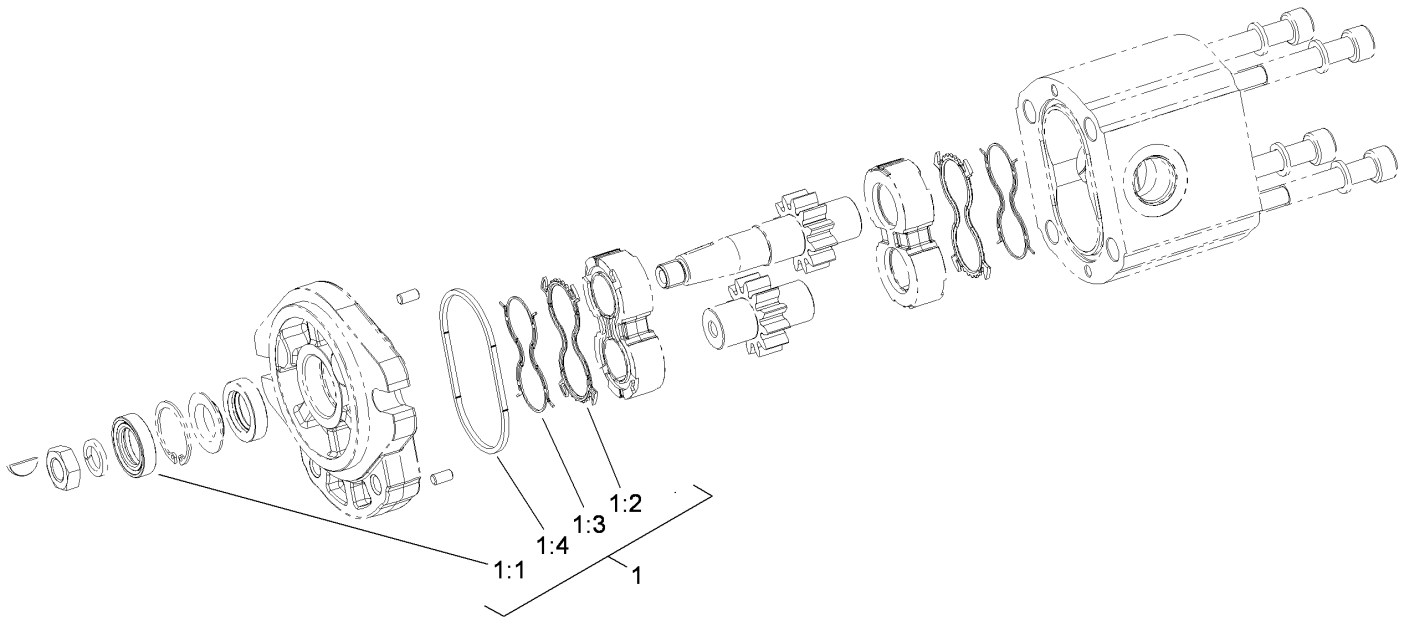
## Radiator Assembly

<i>Ref.</i>	<i>Part Number</i>	<i>Qty.</i>	<i>Description</i>	<i>Ref.</i>	<i>Part Number</i>	<i>Qty.</i>	<i>Description</i>
1	104-3796	2	Fitting-HYD, 90 DEG	22	32128-43	4	Nut-Flange
1:1	237-81	1	O-Ring	23	115-9133	2	Seal-Foam
1:2	340-65	1	O-Ring	24	117-4780	2	Seal-Foam, Hood
2	110-0485	1	Cooler-Oil	25	117-4781-03	2	Bracket-Seal Hood
3	32128-49	4	Nut-HHF	26	32144-41	2	Screw-Taptite
4	114-4153-03	1	Radiator Mount ASM	27	104-5460-03	2	Plate-Mount, Oil Cooler
5	114-3828	1	Seal-Bulb	28	3234-47	9	Screw-HHF
6	114-4152	1	Hose-Air Cleaner	29	117-4766	1	Decal-Warning, Fan
7	115-4363	1	Plenum ASM	30	104-5429	2	Clamp-Form, Wire
7:2	115-4393	1	Seal-Plenum	31	325-17	2	Screw-HH
8	114-3833	1	Radiator	32	41-8440	2	Washer
8:1	304-46	1	Draincock	33	114-4193	1	Bracket-Oil Cooler, Top
9	110-3258	1	Hose-Fuel	34	105-9858	1	Seal-Bulb
10	92-2379	3	Clamp-Hose	35	106-6755	1	Decal-Cap, Radiator
11	93-5957	1	Cap-Radiator	36	2412-81	2	Clamp-R
12	114-3816	1	Shroud-Radiator, Upper	37	46-6560	1	Bushing
13	2412-111	4	Clamp	38	46-6550	1	Fitting-Elbow, 90 DEG
14	114-3831	1	Hose-Radiator, Upper	39	110-6184	1	Hose-Fuel
15	104-8300	12	Nut-Flange, NI	40	114-3832	1	Hose-Radiator, Lower
16	110-8829	1	Sender-Temperature	41	114-3834	1	Shroud-Radiator, Lower
16:1	237-42	1	O-Ring	42	281-13	1	Plug-Pipe
17	3256-82	8	Washer-Flat	43	100-1719	8	Screw-Flange
18	3234-7	11	Screw-HHF	44	3234-36	4	Screw-HHF
19	115-3763	2	Grommet (.800 Id)	45	117-4782	1	Seal-Bulb
20	115-3764	1	Grommet (.680 Id)	46	1-603903	6	Spacer
21	3234-11	4	Screw-HHF				



## Fan and Motor Assembly

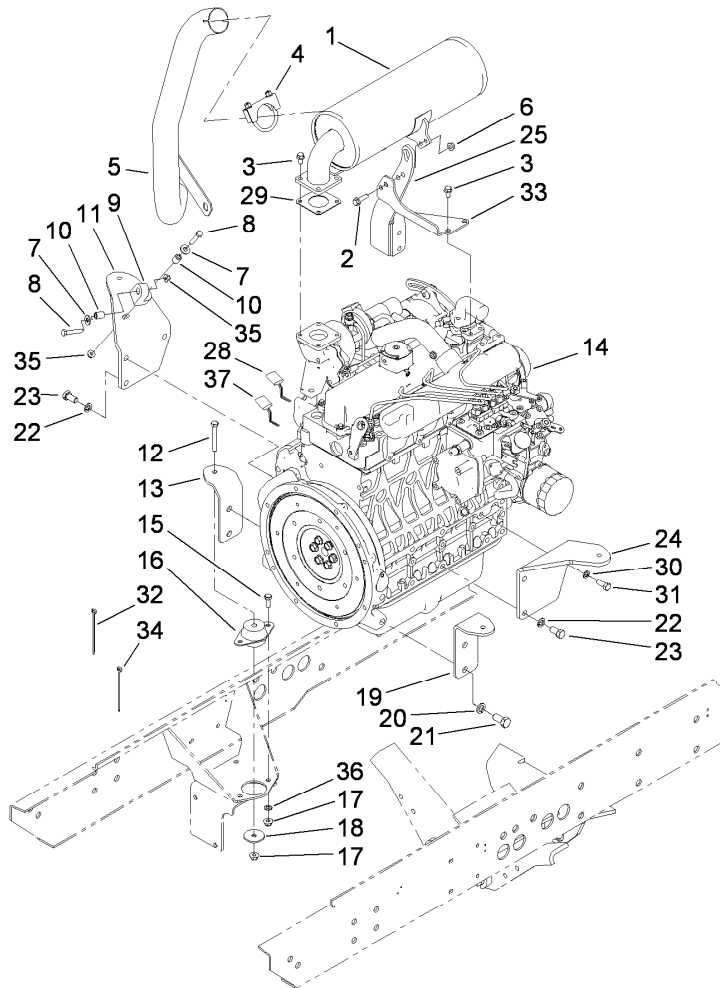
<i>Ref.</i>	<i>Part Number</i>	<i>Qty.</i>	<i>Description</i>	<i>Ref.</i>	<i>Part Number</i>	<i>Qty.</i>	<i>Description</i>
1	115-8486	4	Screw-HH	13	32105-13	1	Screw-HWH
2	114-3825	1	Fan	14	93-0021	1	Swivel-Cable, Throttle
3	117-2364	1	Hub-Fan	15	112-9919	1	Stop-Cable, Throttle
4	98-9346	1	Sender-Temperature	16	3296-13	1	Nut-Lock, NI
5	117-4769	1	HYD Motor ASM	17	3296-2	1	Nut-Lock, NI
6	114-9764-03	1	Bracket-Motor, Fan	18	340-2	1	Fitting-HYD, Straight
7	324-5	2	Screw-HH	18:1	237-22	1	O-Ring
8	3256-25	2	Washer-Flat	18:2	237-42	1	O-Ring
9	3296-48	2	Nut-Lock, NI	19	99-6810	6	Screw-HH
10	340-101	2	Fitting-HYD, 45 DEG	20	104-7201	6	Nut-HF
10:1	237-30	1	O-Ring	21	80-6990	4	Washer-Hardened
10:2	237-79	1	O-Ring	22	43-5930	2	Washer-Lock, Spring
11	81-1690	1	Clamp-Cable	23	33113-020	2	Screw-HH
12	115-9114-03	1	Support-Cable, Throttle				



## Hydraulic Motor Assembly No. 117-4769

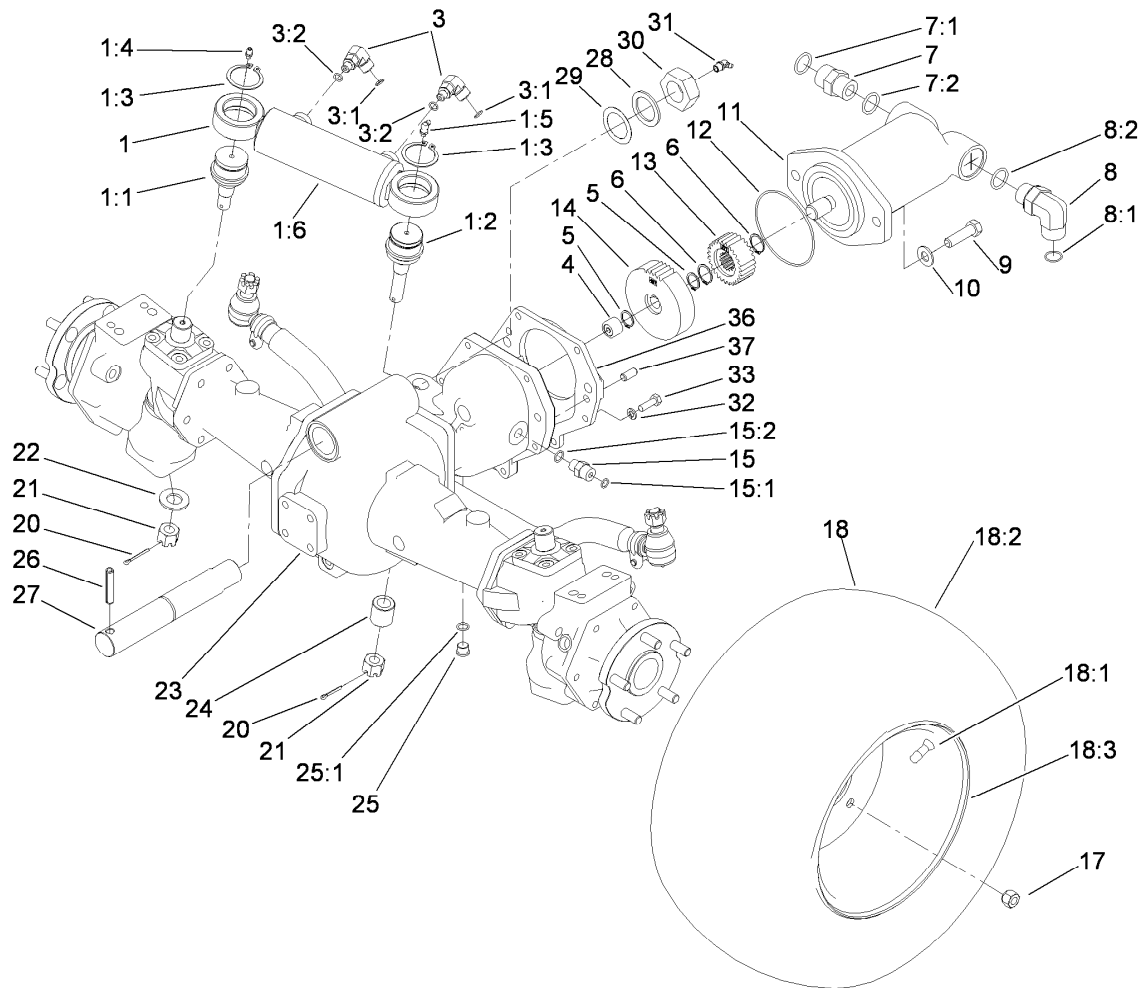
<i>Ref.</i>	<i>Part Number</i>	<i>Qty.</i>	<i>Description</i>
1	115-4110	1	Seal Kit
1:1		2	Seal-Shaft ●
1:2		2	Seal-Plate, Balancing ●
1:3		2	Seal-Anti Extrusion ●
1:4		2	O Ring-Housing ●

● Not serviced separately



## Engine Installation Assembly

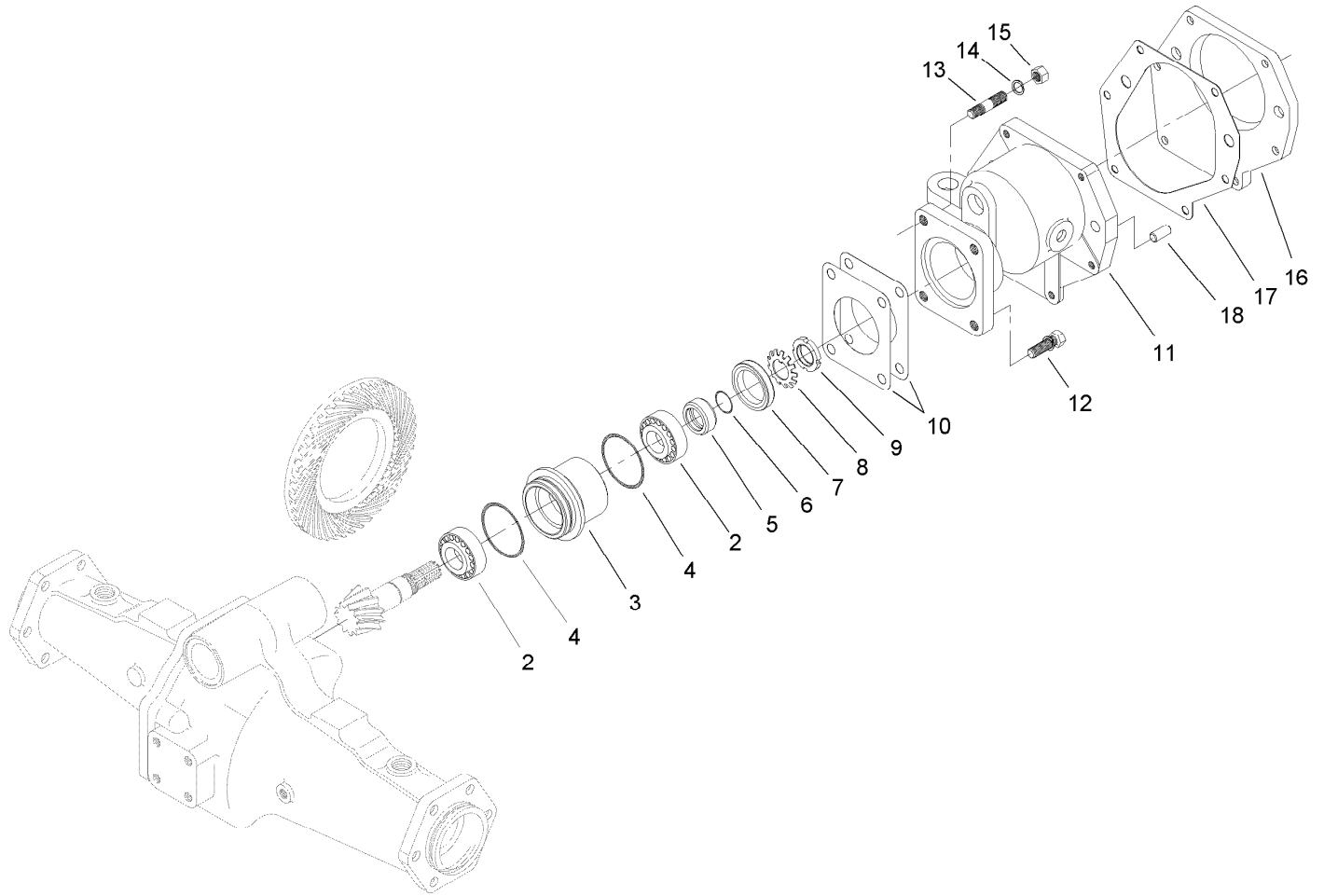
<i>Ref.</i>	<i>Part Number</i>	<i>Qty.</i>	<i>Description</i>	<i>Ref.</i>	<i>Part Number</i>	<i>Qty.</i>	<i>Description</i>
1	114-3849	1	Muffler-Turbo	19	114-4169-03	1	Mount-Engine, Front, LH
2	33104-030	2	Screw-HHF	20	43-5950	4	Washer-Lock, Spring
3	33104-016	6	Screw-HHF	21	43-3210	4	Screw-HH
4	49-2580	1	Clamp-Muffler	22	48-8070	5	Washer-Lock
5	114-4181	1	Pipe-Exhaust	23	42-9250	5	Bolt
6	33004-00	4	Nut-HF	24	114-3817-03	1	Mount-Engine, LH
7	3256-3	2	Washer-Flat	25	114-9781-03	1	Mount-Exhaust
8	322-9	2	Screw-HH	28	117-2370	1	Harness-Ground
9	95-5622	1	Hanger-Rubber	29	100-9333	1	Gasket-Muffler
10	93-5023	2	Spacer	30	43-0090	1	Screw-HH
11	114-3807-03	1	Mount-Engine, RH	31	48-9590	1	Washer-Lock
12	323-13	4	Screw-HH	32	3290-378	3	Tie-Cable
13	114-4170-03	1	Mount-Engine, Front RH	33	112-9113-03	1	Mount-Exhaust
14	114-3800	1	Engine ASM	34	3290-379	2	Tie-Cable
15	3234-11	10	Screw-HHF	35	104-8300	2	Nut-Flange, NI
16	53-9682	4	Mount-Engine-Green	36	3255-9	1	Washer-Lock
17	104-8301	14	Nut-Flange, NI	37	117-2372	1	Harness-Wire, Alternator (40A)
18	63-7400	4	Washer-Rebound				



## Rear Axle Assembly

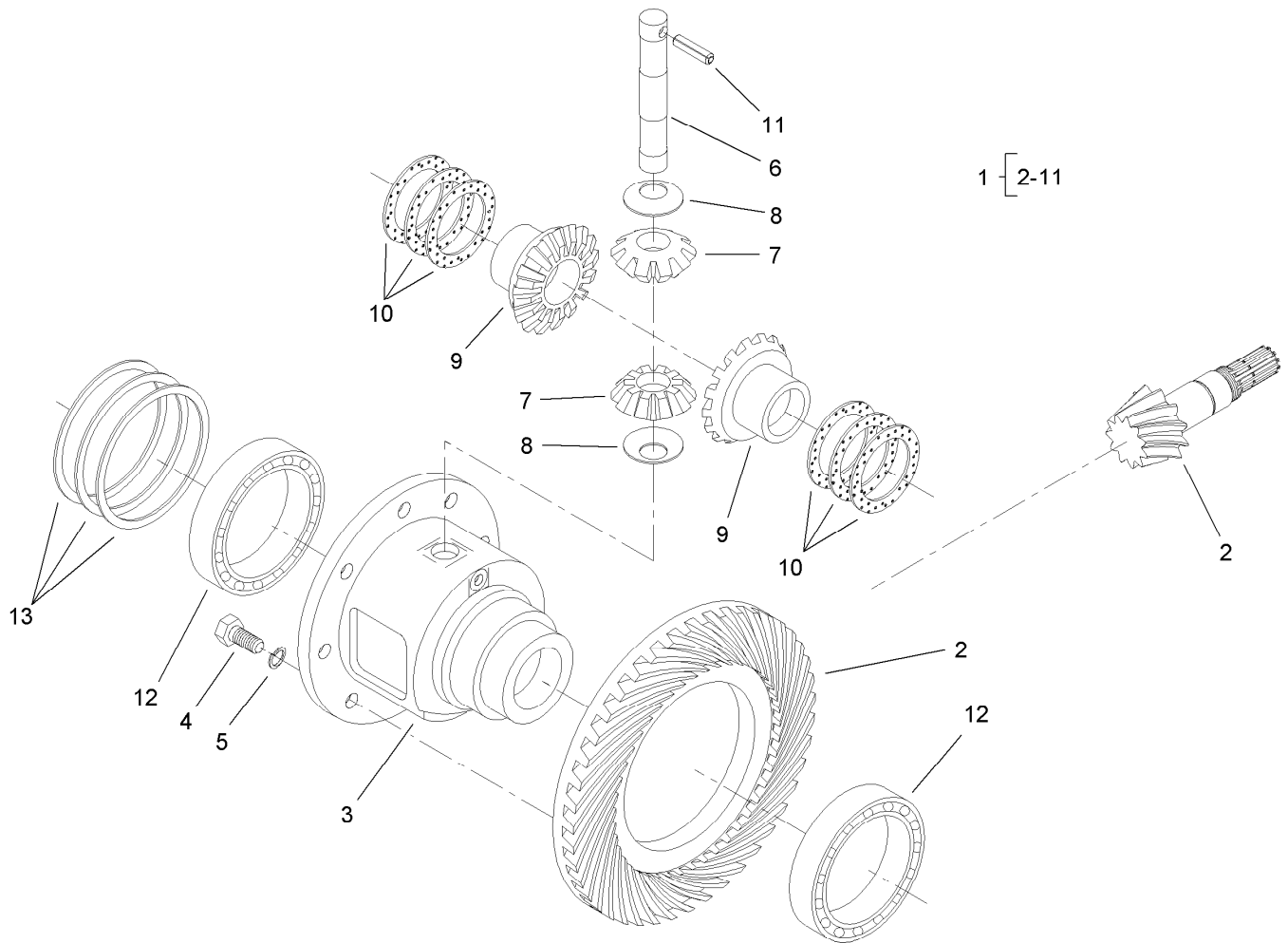
Ref.	Part Number	Qty.	Description	Ref.	Part Number	Qty.	Description
1	105-9861	1	Steering Cylinder ASM	15	340-2	1	Fitting-HYD, Straight
1:1	106-6774	1	Joint-Ball	15:1	237-22	1	O-Ring
1:2	100-3795	1	Joint-Ball	15:2	237-42	1	O-Ring
1:3	32151-104	2	Ring-Retaining, External	17	93-5268	10	Nut-Lug
1:4	302-5	1	Fitting-Grease	18		2	Tire And Wheel ASM ●
1:5	302-60	1	Fitting-Grease	18:1	232-27	1	Stem-Valve
1:6	107-1976	1	Cylinder-Steering, HYD	18:2	104-0451	1	Tire-Turf, Trac
3	340-97	2	Fitting-HYD, 90 DEG	18:3	105-9219	1	Wheel
3:1	237-22	1	O-Ring	20	3272-11	2	Pin-Cotter
3:2	237-78	1	O-Ring	21	32136-14	2	Nut-SHH
4	74-5700	1	Bearing-Needle, Roller	22	92-5836	1	Washer
5	32120-15	2	Ring-Snap, EXT	23	110-4750	1	Drive Axle ASM
6	32120-76	2	Ring-Snap, EXT	24	100-3796	1	Spacer-Joint, Ball
7	340-9	1	Fitting-Straight	25	353-989	1	Plug-Hex, Hollow
7:1	237-58	1	O-Ring	25:1	237-42	1	O-Ring
7:2	237-81	1	O-Ring	26	32121-110	1	Pin-Roll, Slotted
8	340-142	1	Fitting-HYD, 90 DEG	27	115-9142	1	Pin-Rear Axle
8:1	237-58	1	O-Ring	28	92-1765	1	Washer-Thrust
8:2	237-81	1	O-Ring	29	98-3867	2	Washer-Thrust
9	325-7	2	Screw-HH	30	3296-68	1	Nut-Lock, NI
10	3256-26	2	Washer-Flat	31	302-33	1	Fitting-Grease
11	105-1219	1	HYD Motor ASM	32	3253-4	6	Washer-Lock
12	237-166	1	O-Ring	33	33114-025	6	Screw-HH
13	104-0755	1	Pinion-27 Tooth	36	95-7541	1	Plate-Cover
14	100-3053	1	Gear-45 Tooth	37	104-2353	2	Pin-Dowel

● Not serviced separately



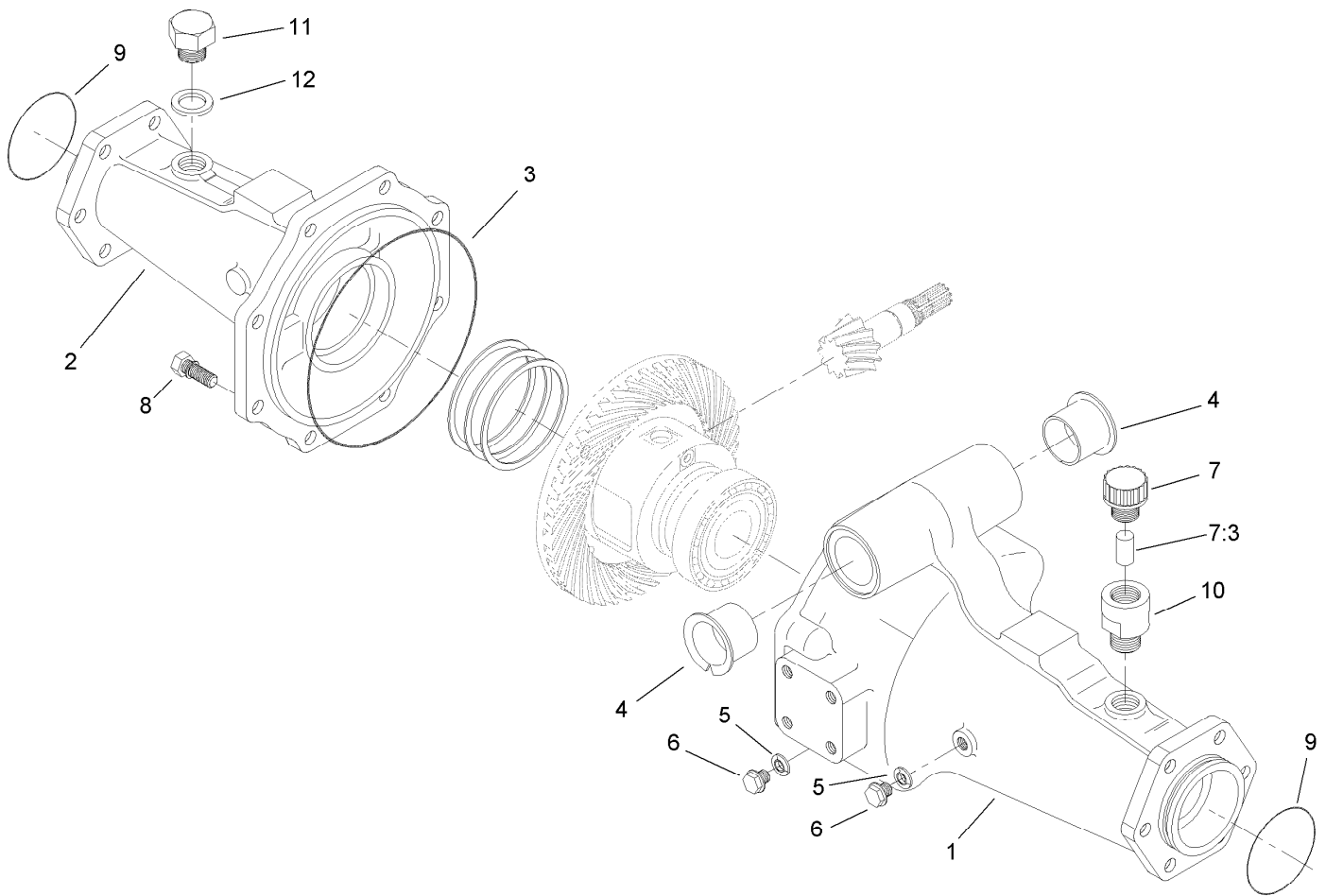
## Bevel Pinion Shaft Assembly Rear Axle Assembly No. 110-4750

<i>Ref.</i>	<i>Part Number</i>	<i>Qty.</i>	<i>Description</i>
2	99-7570	2	Bearing-Roller, Taper
3	95-7534	1	Case-Bearing
4	106-1065	2	O-Ring
5	99-7572	1	Collar-Seal, Oil
6	106-1066	1	O-Ring
7	99-7574	1	Seal-Oil
8	99-7559	1	Washer-Lock
9	99-7560	1	Nut-Lock
10	99-7550	2	Shim 0.1
10	99-7551	2	Shim 0.2
11	95-7533	1	Case-Gear
12	99-7575	2	Bolt
13	98-7735	2	Stud
14	99-7527	2	Washer-Spring
15	99-7526	2	Nut
16	95-7541	1	Plate-Cover
17	106-1140	1	Gasket
18	104-2353	2	Pin-Dowel



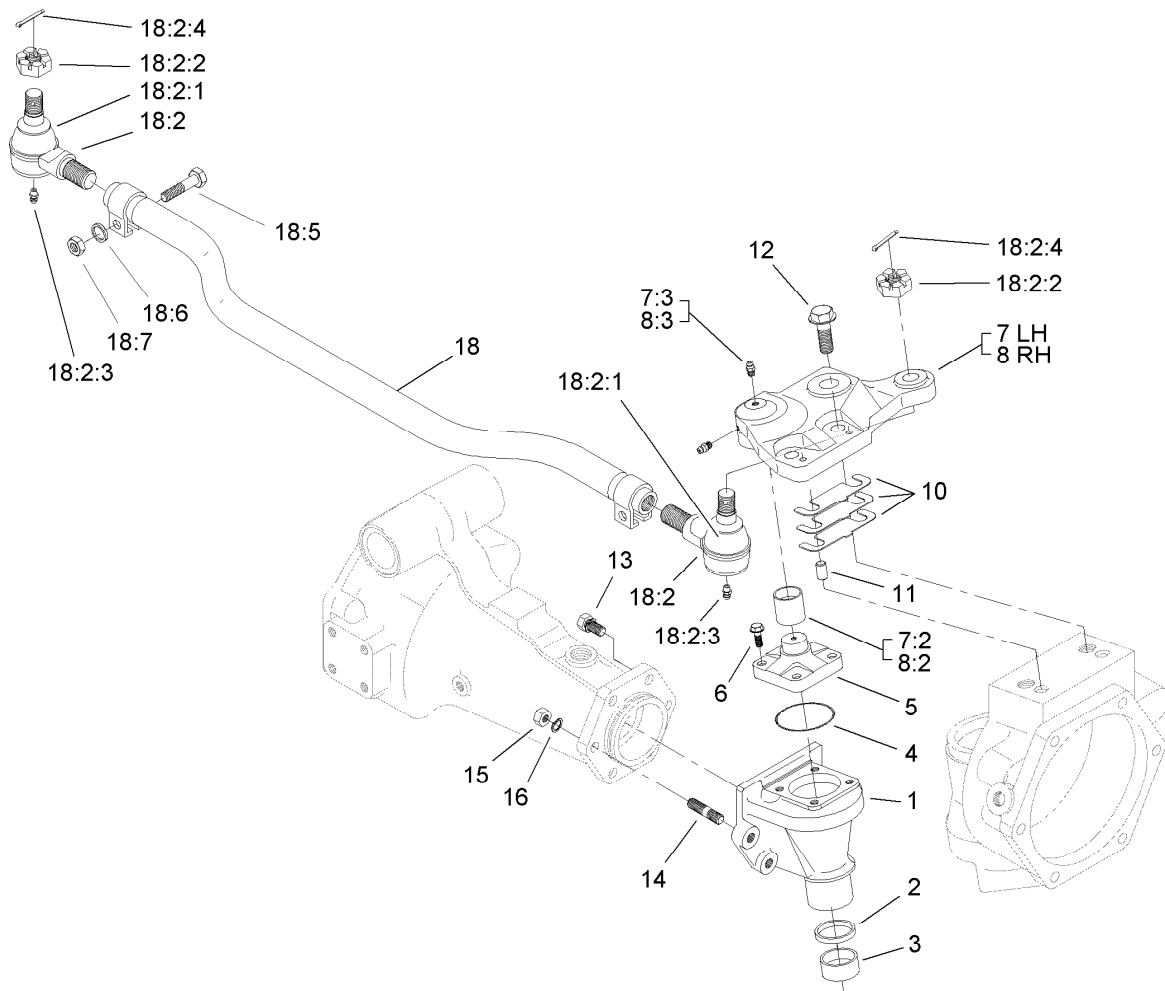
## Differential Assembly Rear Axle Assembly No. 110-4750

Ref.	Part Number	Qty.	Description
1	95-7503	1	Differential ASM
2	100-2555	1	Ring And Pinion Matched Set
3	95-7502	1	Case-Differential
4	99-7576	8	Bolt
5	3253-4	8	Washer-Lock
6	99-7578	1	Shaft-Differential
7	99-7579	2	Pinion-Differential
8	99-7580	2	Washer-Differential
9	99-7581	2	Gear-Differential
10	99-7582	2	Washer-Differential
10	99-7583	2	Washer-Differential
10	99-7584	2	Washer-Differential
11	99-7588	1	Pin-Spring
12	99-7562	2	Bearing-Ball
13	99-7585	2	Shim 0.1
13	99-7586	2	Shim 0.2
13	99-7587	2	Shim 0.4



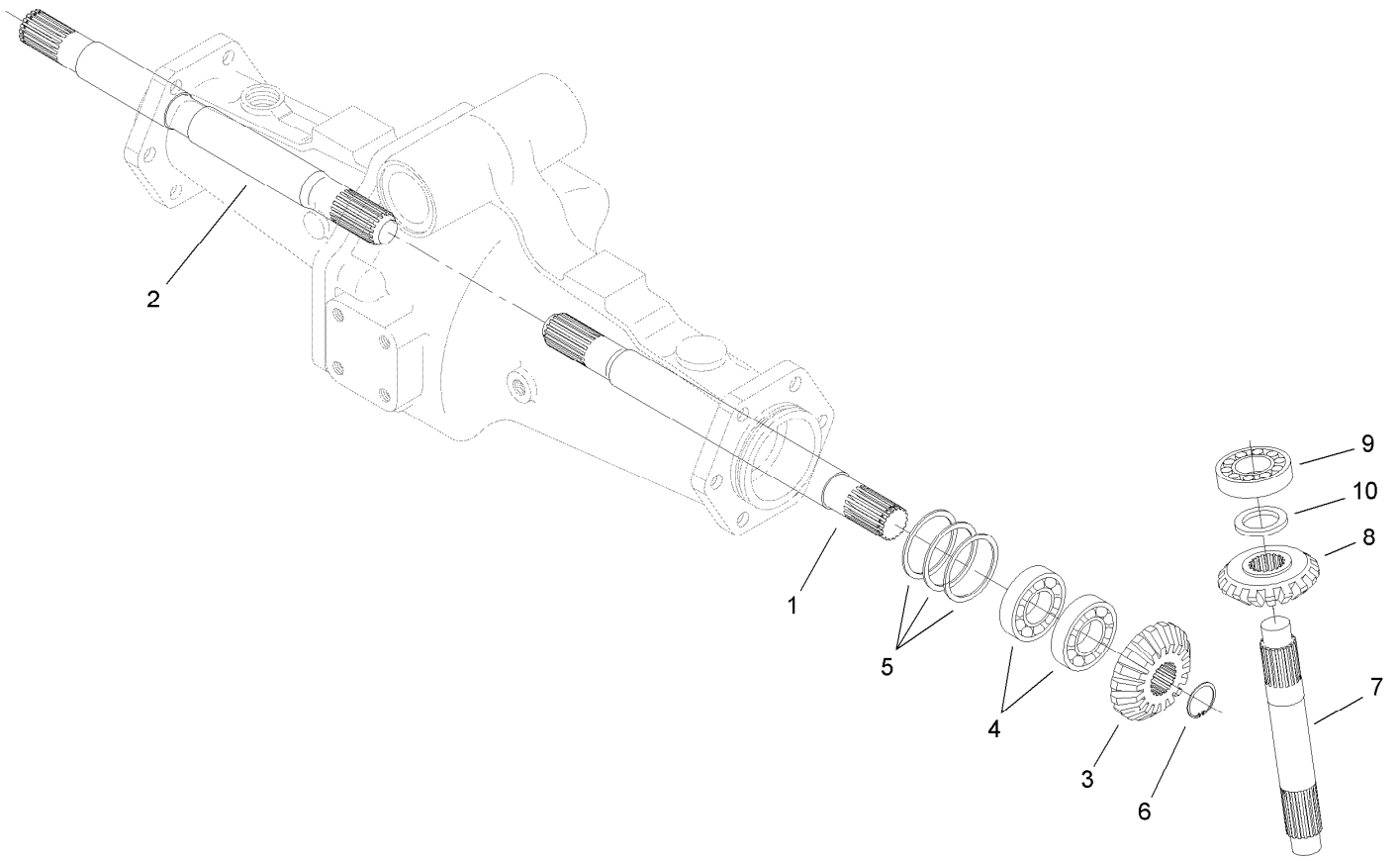
## Axle Support Assembly Rear Axle Assembly No. 110-4750

<i>Ref.</i>	<i>Part Number</i>	<i>Qty.</i>	<i>Description</i>
1	95-7508	1	Support-Axle
2	95-7506	1	Support-Axle
3	106-1067	1	O-Ring
4	95-7537	2	Bushing-Flanged
5	99-7590	2	Washer-Seal
6	99-7589	2	Plug
7	110-4812	1	Axle Vent ASM
7:3	110-4815	1	Insert-Filter, Foam
8	99-7592	8	Bolt
9	106-1068	2	O-Ring
10	104-2377	1	Extension-Vent
11	104-8643	1	Plug
12	104-8644	1	O-Ring



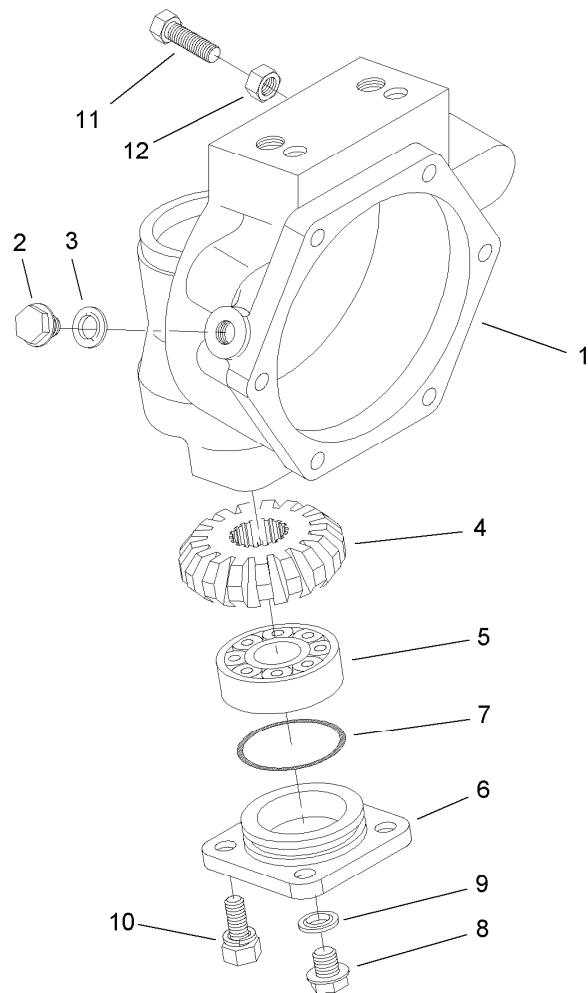
## Bevel Gear Case Assembly Rear Axle Assembly No. 110-4750

<i>Ref.</i>	<i>Part Number</i>	<i>Qty.</i>	<i>Description</i>	<i>Ref.</i>	<i>Part Number</i>	<i>Qty.</i>	<i>Description</i>
1	110-4752	2	Case-Gear, Bevel	12	104-2375	4	Bolt
2	110-4754	2	Seal-Oil	13	99-7599	8	Bolt
3	104-2378	2	Bushing	14	99-7525	4	Stud
4	106-1069	2	O-Ring	15	99-7526	4	Nut
5	104-2373	2	Knuckle	16	99-7527	4	Washer-Spring
6	104-2374	8	Bolt	18	106-1141	1	Steering Tie Rod ASM
7	100-3768	1	LH Steering Arm ASM	18:2	106-1113	2	Tie Rod End ASM - RH
7:2	104-8634	1	Bushing				Thread
7:3	106-1104	2	Fitting-Grease	18:2:1	100-3853	1	Cover-Dust
8	100-3766	1	RH Steering Arm ASM	18:2:2	100-3854	1	Nut-Castle
8:2	104-8634	1	Bushing	18:2:3	110-4755	1	Fitting-Grease
8:3	106-1104	2	Fitting-Grease	18:2:4	3272-11	1	Pin-Cotter
10	95-7547	2	Shim 0.1	18:5	100-3855	2	Bolt
10	95-7548	2	Shim 0.2	18:6	99-7527	2	Washer-Spring
10	95-7549	2	Shim 0.3	18:7	99-7526	2	Nut
11	99-7597	4	Pin-Dowel				



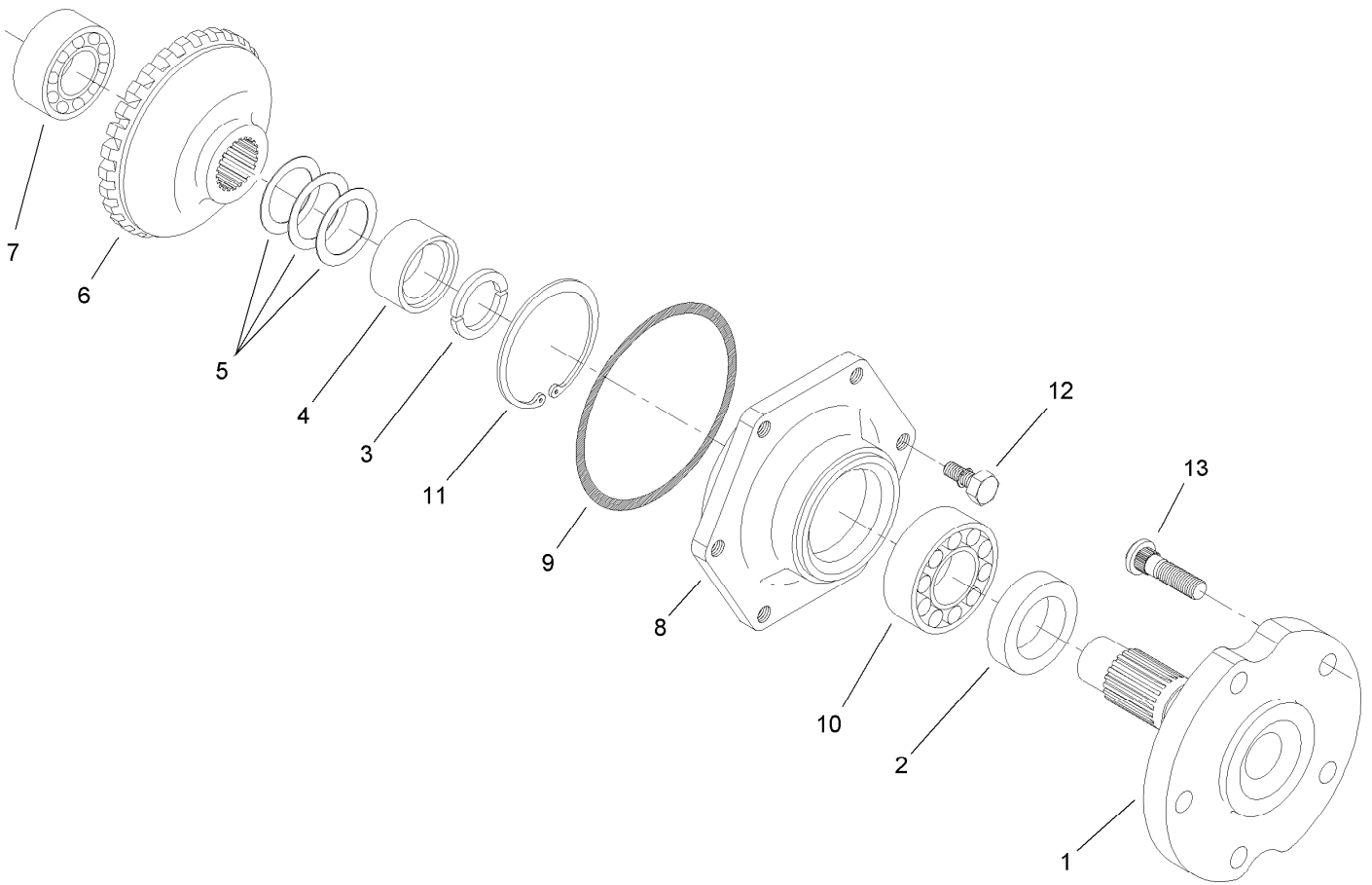
## Bevel Gear Shaft Assembly Rear Axle Assembly No. 110-4750

<i>Ref.</i>	<i>Part Number</i>	<i>Qty.</i>	<i>Description</i>
1	95-7509	1	Shaft-Gear, Differential
2	95-7512	1	Shaft-Gear, Differential
3	95-7517	2	Gear-Bevel, 15 Tooth
4	99-7530	4	Bearing-Ball
5	99-7552	2	Shim 0.1
5	99-7553	2	Shim 0.2
5	99-7554	2	Shim 0.5
6	99-7531	2	Clip
7	110-4753	2	Shaft-Gear, Bevel
8	95-7519	2	Gear-Bevel, 17 Tooth
9	99-7532	2	Bearing-Roller, Taper
10	99-7558	2	Collar



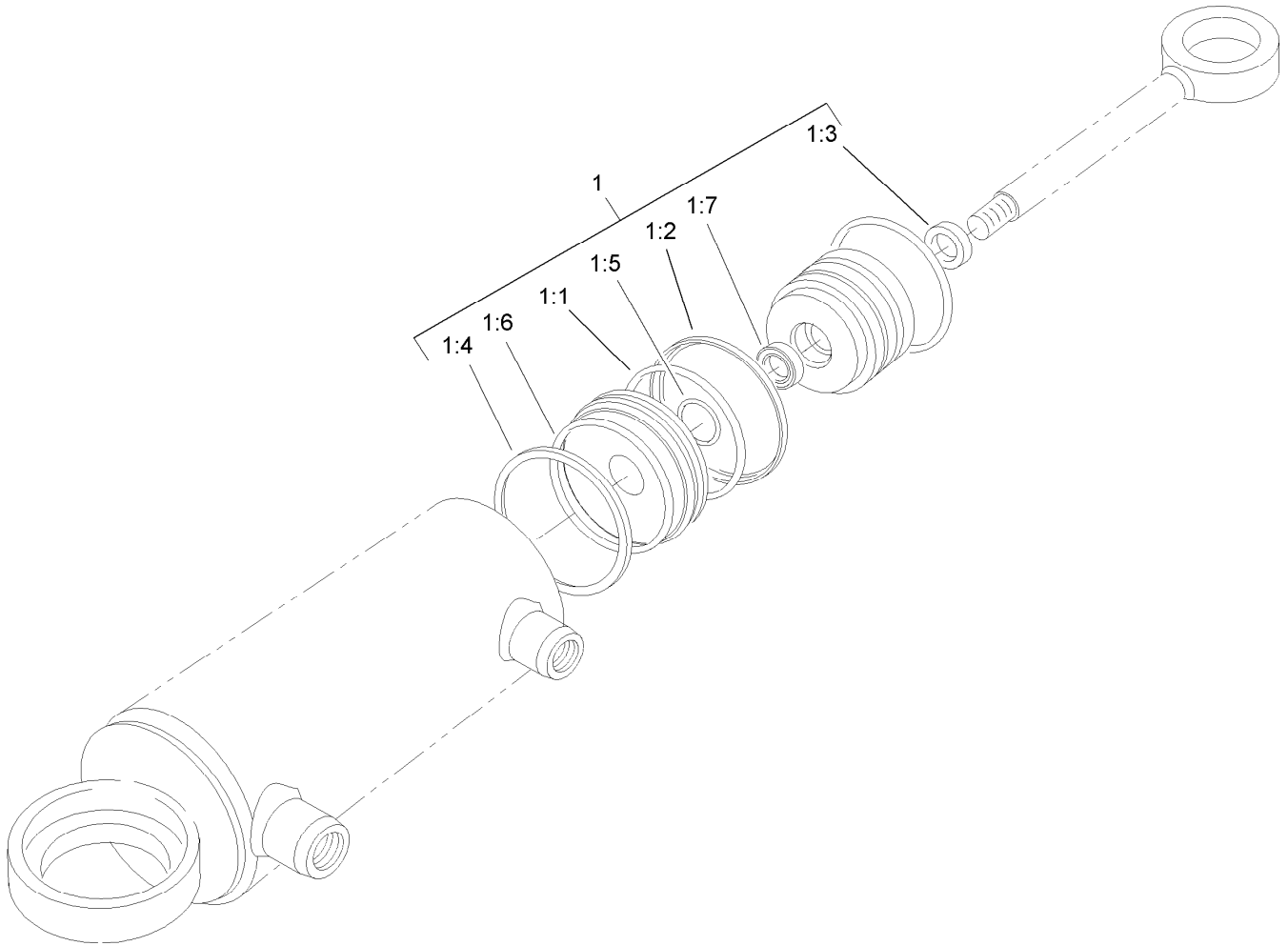
## Axle Case Assembly Rear Axle Assembly No. 110-4750

Ref.	Part Number	Qty.	Description
1	110-4751	2	Case-Axle
2	99-7535	2	Plug
3	99-7536	2	Washer-Seal
4	95-7527	2	Gear-Bevel, 17 Tooth
5	99-7532	2	Bearing-Roller, Taper
6	100-2560	2	Cover
7	106-1070	2	O-Ring
8	99-7589	2	Plug
9	99-7590	2	Washer-Seal
10	100-2562	8	Bolt
11	106-1102	2	Bolt-Stop
12	106-1103	2	Nut



## Axle Assembly Rear Axle Assembly No. 110-4750

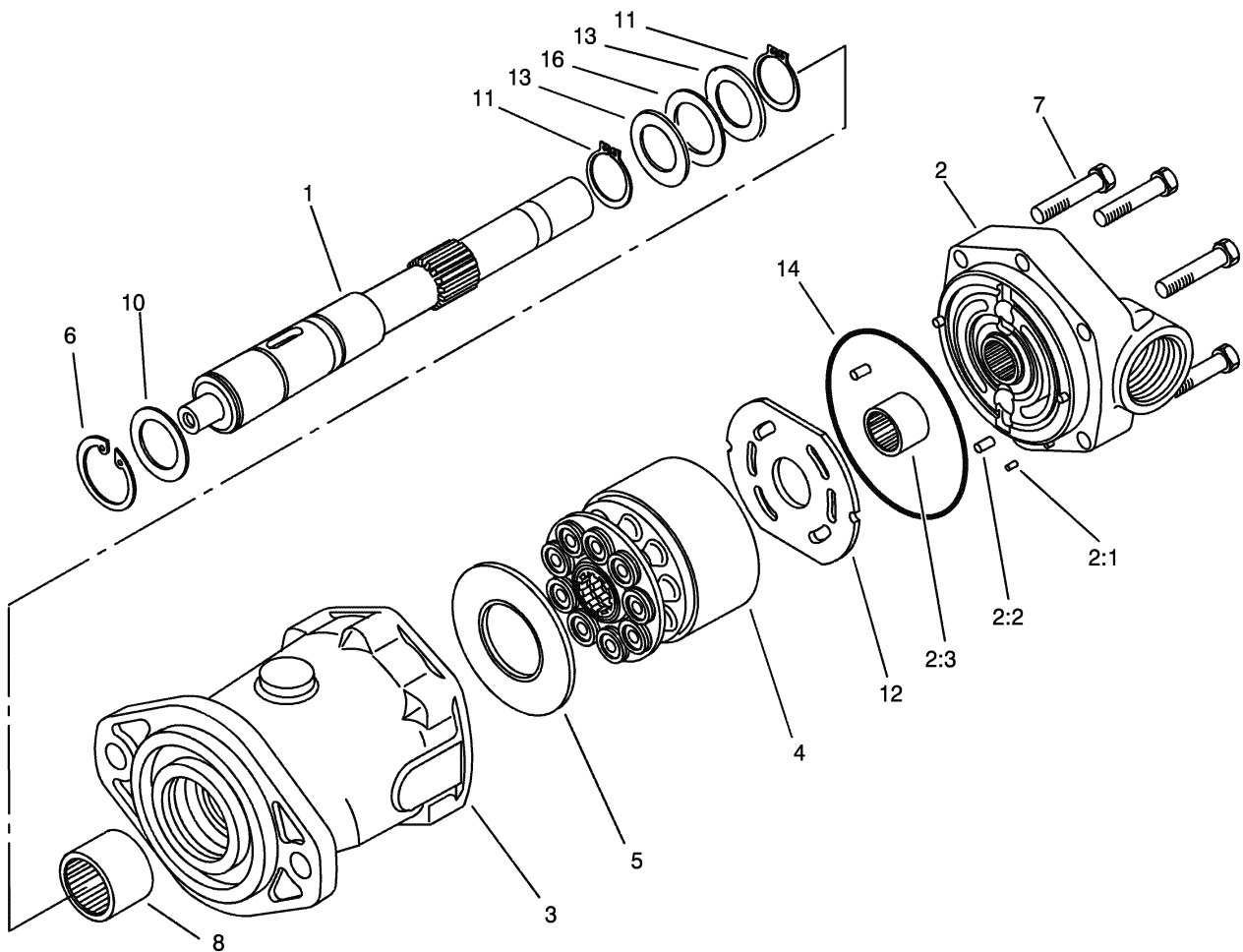
<i>Ref.</i>	<i>Part Number</i>	<i>Qty.</i>	<i>Description</i>
1	95-7522	2	Axle
2	99-7564	2	Seal-Oil
3	95-7544	4	Clip
4	95-7523	2	Spacer
5	99-7555	2	Shim 0.3
5	99-7556	2	Shim 0.2
5	99-7557	2	Shim 0.5
6	95-7524	2	Gear-Bevel, 29 Tooth
7	99-7534	2	Bearing-Ball
8	95-7521	2	Cover-Axle
9	106-1071	2	O-Ring
10	99-7561	2	Bearing-Ball
11	99-7539	2	Clip
12	99-7596	12	Bolt
13	99-7563	10	Stud



## Hydraulic Cylinder Assembly No. 105-9861

<i>Ref.</i>	<i>Part Number</i>	<i>Qty.</i>	<i>Description</i>
1	107-0245	1	Seal Kit
1:1		1	O-Ring ●
1:2		1	Back-Up ●
1:3		1	Wiper ●
1:4		1	Seal ●
1:5		1	O-Ring ●
1:6		1	O-Ring ●
1:7		1	Seal ●

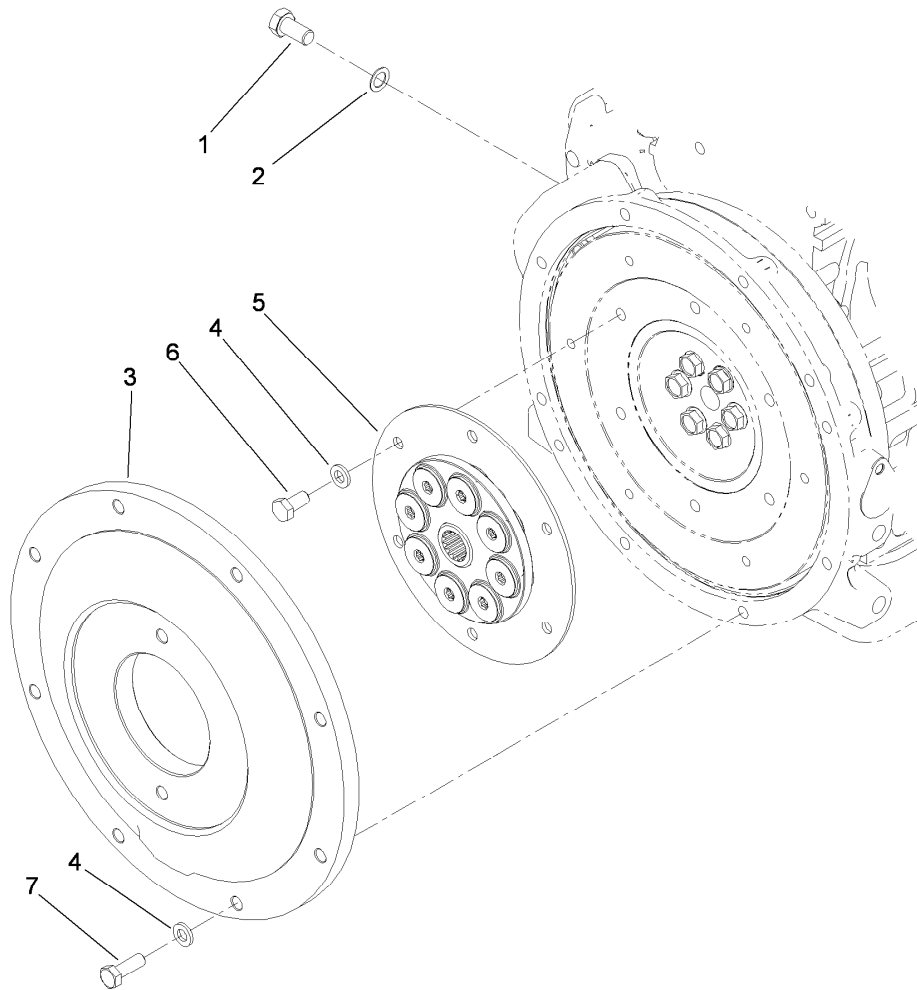
● Not serviced separately



## Piston Motor Assembly No. 105-1219

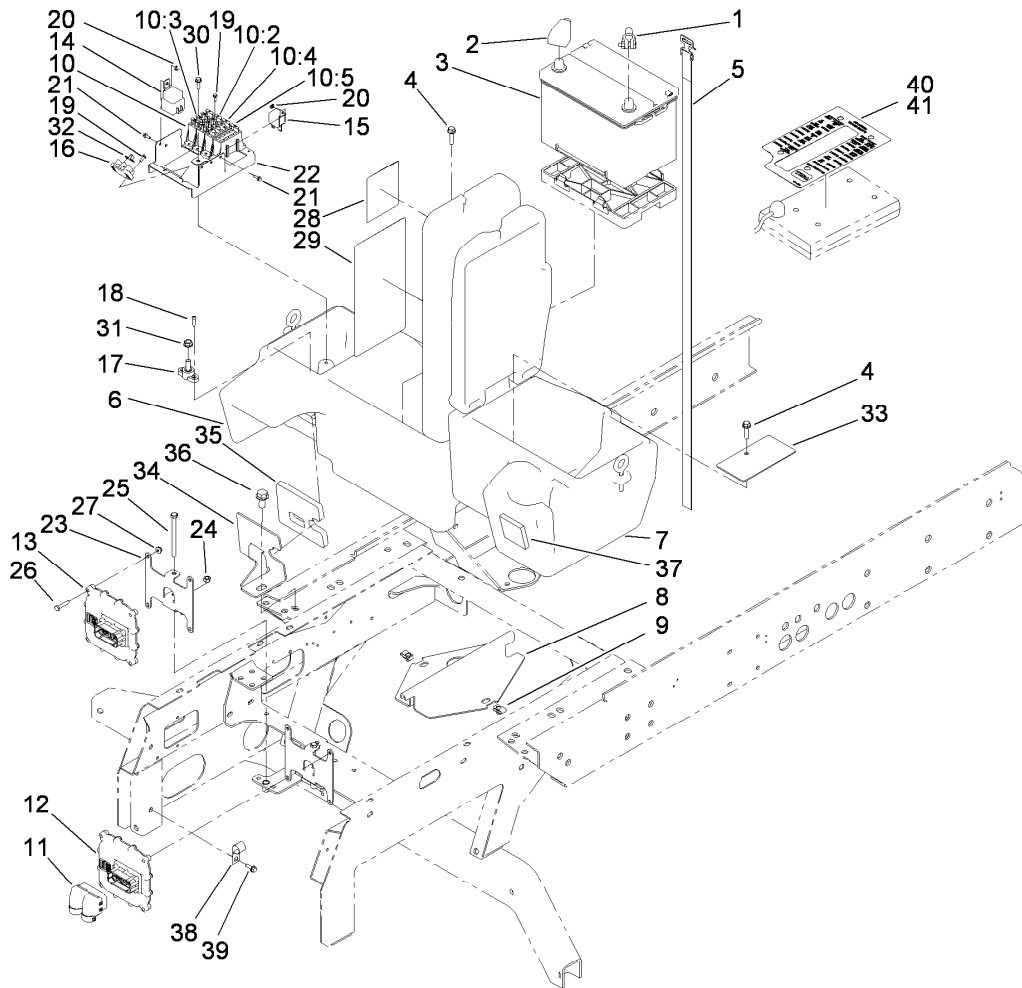
Ref.	Part Number	Qty.	Description
1	105-2853	1	Shaft-Drive
2	100-2551	1	Backplate
2:1		3	Pin-Dowel ●
2:2		1	Pin-Dowel ●
2:3		1	Bearing-Needle ●
3		1	Housing ●
4	76-6910	1	Rotating Kit
5	76-6970	1	Insert-Plate, Cam
6	60-6260	1	Ring
7	94-3002	6	Capscrew
8	63-4390	1	Bearing-Needle
10	76-7020	1	Spacer
11	76-7000	2	Ring-Retaining
12	94-3003	1	Plate-Valve
13	76-6950	2	Race-Thrust
14	76-6980	1	O-Ring
16	76-6960	1	Bearing-Thrust

● Not serviced separately



## Flywheel Coupler Assembly

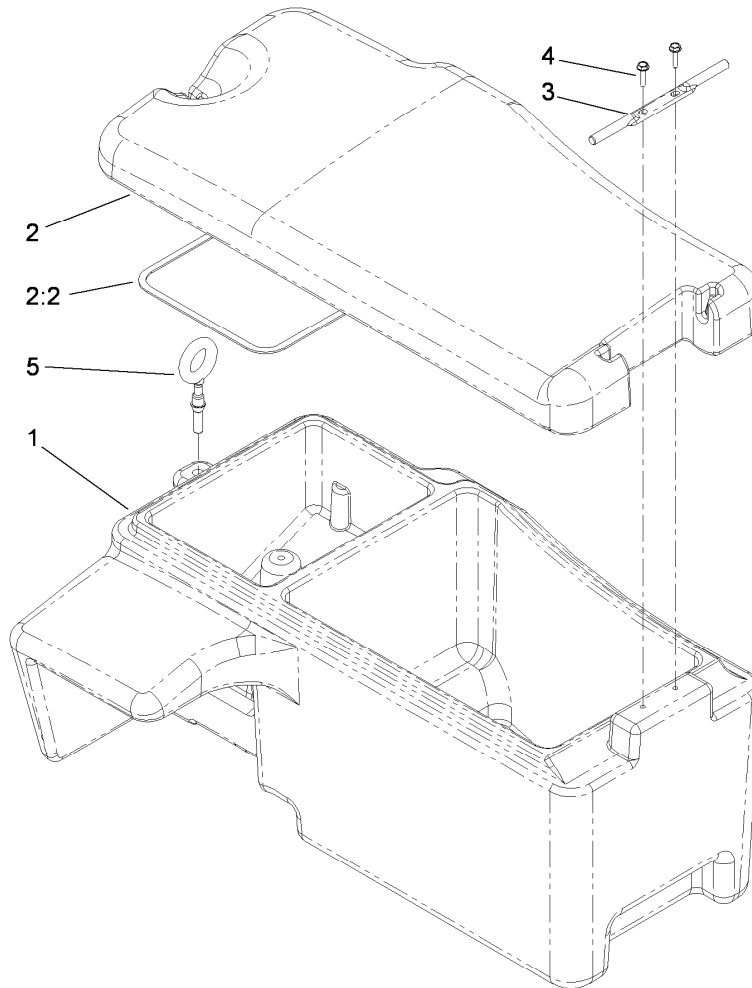
<i>Ref.</i>	<i>Part Number</i>	<i>Qty.</i>	<i>Description</i>
1	42-9250	1	Bolt
2	3255-2	1	Washer-Lock / EXT
3	114-3835	1	Plate-Flywheel
4	107-1413	14	Washer-Hardened
5	114-3848	1	Coupler-Spring, Flywheel
6	99-5130	6	Bolt
7	117-5663	8	Screw-HH



## Power Center, Battery and Storage Box Assembly

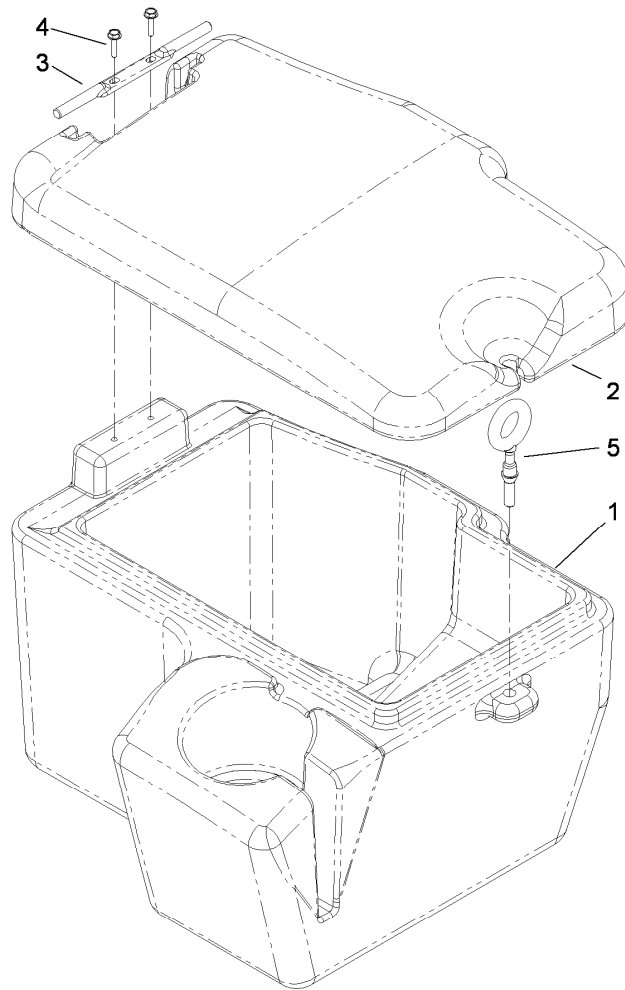
Ref.	Part Number	Qty.	Description
1	117-2377	1	Cable-Battery, Negative
2	117-2376	1	Cable-Battery, Positive
3	106-5190	1	Battery
4	115-1794	2	Screw-HHF
5	3339-175	1	Strapping-Web, 48 Inch
6	115-9100	1	Battery Storage Box ASM
7	115-9101	1	Storage Box ASM
8	115-4387-03	1	Support-Box, Storage
9	112-3306	2	Nut
10	115-9106	1	Harness-Power Center
10:2	94-6710	2	Fuse-2 Amp
10:3	114241	6	Fuse-Blade, 7.5 Amp
10:4	218-578	4	Fuse-Blade, 10 Amp
10:5	109101	1	Fuse-Blade, 20 Amp
11	115-9108	1	Harness-Wire
12	114-3321	1	Controller-Tec
13	115-1900	1	Controller-Tec, 5001
14	99-7430	1	Relay
15	99-7435	3	Relay-Power
16	42862	1	Block-Terminal, Ground
17	110-8822	1	Block-Junction
18	93-0231	2	Screw-PPH
19	32144-87	6	Screw-HWHTF

Ref.	Part Number	Qty.	Description
20	3296-54	5	Nut-Lock
21	112-3169	5	Screw-HHF, Serrated
22	115-4356-03	1	Mount-Fuse Block
23	117-2360-03	2	Bracket-Mount, Controller
24	3217-6	2	Nut-Hex
25	322-19	2	Screw-HH
26	321-8	8	Screw-HH
27	104-7201	8	Nut-HF
28	117-4761	1	Decal-Fuse
29	117-4758	1	Decal-Service
30	46-8091	1	Screw-HWH
31	3290-357	1	Nut-HHF, Whiz
32	42863	1	Strip-Jumper
33	117-4768-03	1	Plate-Box, Storage
34	117-4774-03	1	Clamp
35	117-4775	1	Seal-Battery Box
36	3234-6	1	Screw-HHF
37	117-4783	2	Seal-Foam
38	2412-150	1	Clip-J
39	3234-4	1	Screw-HHF
40	117-4795	1	Decal-Diagnostic, Controller
41	117-4796	1	Decal-Diagnostic, Controller



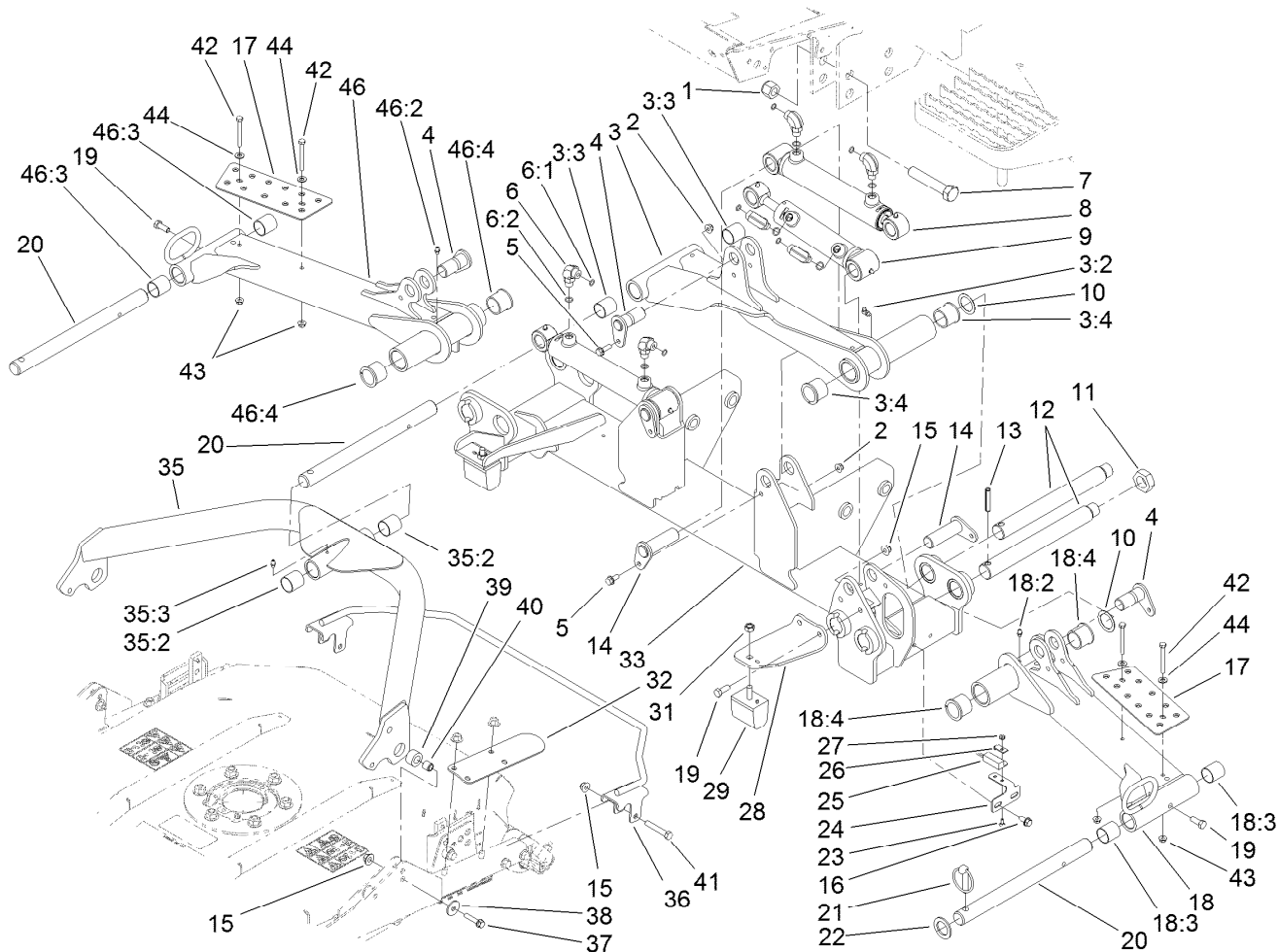
## Battery Storage Box Assembly No. 115-9100

<i>Ref.</i>	<i>Part Number</i>	<i>Qty.</i>	<i>Description</i>
1	114-8124	1	Box-Storage, RH
2	115-4368	1	Cover ASM
2:2	115-4367	1	Seal-Cover
3	114-8132	1	Hinge-Cover
4	98-1375	2	Screw-HWH
5	115-4366	1	Latch-Rubber



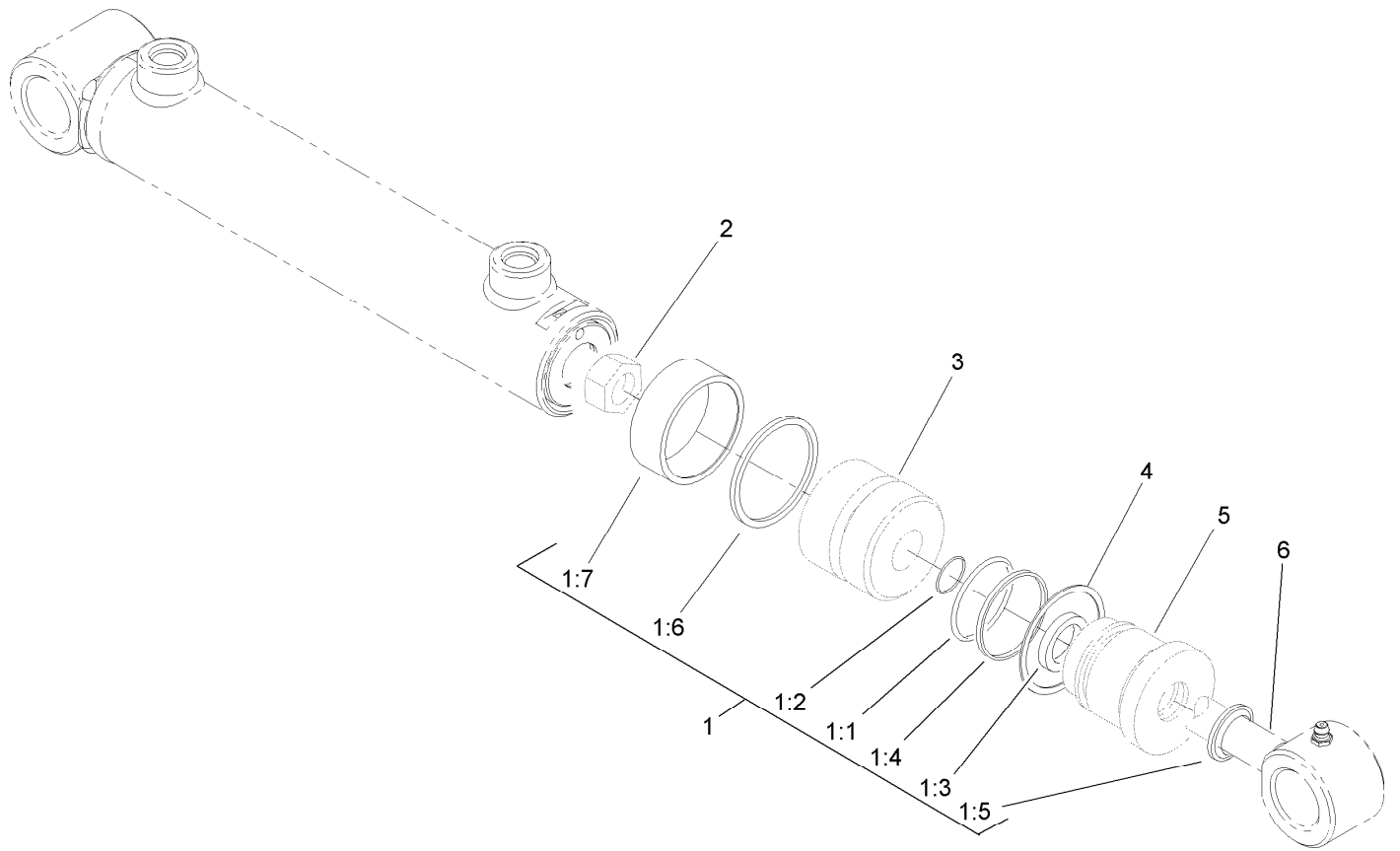
## Storage Box Assembly No. 115-9101

<i>Ref.</i>	<i>Part Number</i>	<i>Qty.</i>	<i>Description</i>
1	114-8123	1	Box-Storage, LH
2	114-8125	1	Cover-Storage Box, LH
3	114-8132	1	Hinge-Cover
4	98-1375	2	Screw-HWH
5	115-4366	1	Latch-Rubber



## Front Lift Arm Assembly

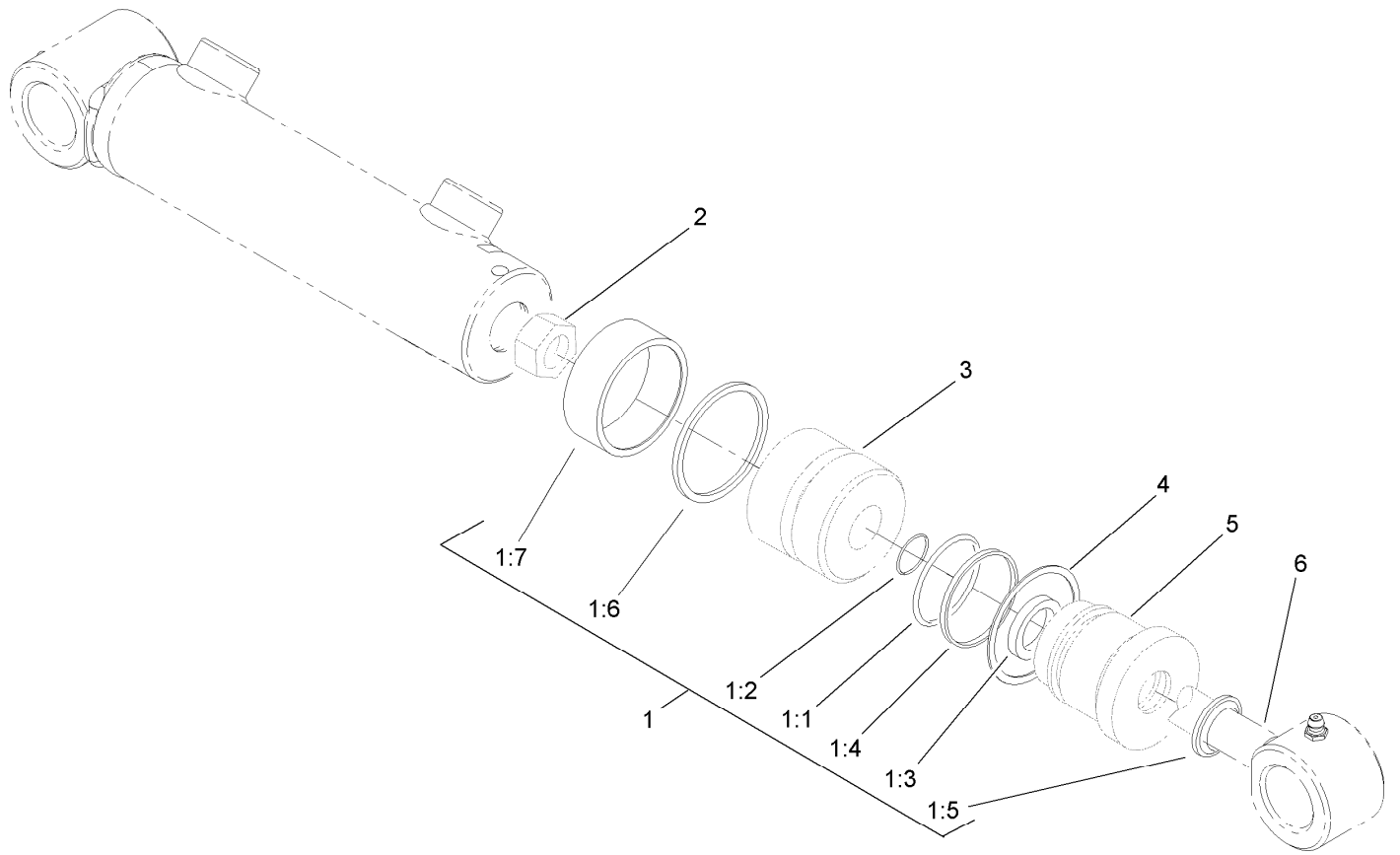
Ref.	Part Number	Qty.	Description	Ref.	Part Number	Qty.	Description
1	3296-51	4	Nut-Lock, NI	21	283-71	3	Pin-Lynch
2	104-8300	6	Nut-Flange, NI	22	3-6781	3	Washer-Thrust
3	108-4032	1	No. 1 Liftarm ASM	23	104-1450	2	Bolt-CARR
3:2	302-60	1	Fitting-Grease	24	104-5585	2	Bracket-Switch
3:3	108-4000	2	Bushing	25	106-9288	2	Sensor-Proximity, Ferrous
3:4	104-0015	2	Bushing-Flange	26	100-4872	2	Plate-Switch, Neutral
4	104-5525	3	Cylinder Pin ASM	27	32149-7	2	Nut-Keps
5	3234-17	6	Screw-HHF	28	104-5689-03	1	Bracket-Support, Bumper
6	340-77	6	Fitting-HYD, 90 DEG	29	87-3470	2	Bumper-Axle, Rear
6:1	237-22	1	O-Ring	31	33025-00	2	Nut-Lock, NI
6:2	237-42	1	O-Ring	32	105-9831-03	2	Bracket-Bumper, No. 1
7	328-7	4	Screw-HH	33	104-5680-03	1	Frame-Carrier, Front
8	107-1979	2	Lift Cylinder ASM	35	115-3453	7	Carrier Frame ASM
9	107-1980	1	Lift Cylinder ASM	35:2	108-4000	2	Bushing
10	76-2980	6	Washer-Thrust	35:3	302-5	1	Fitting-Grease
11	3296-49	3	Nut-Lock, NI	36	112-9900-03	6	Guard-Foot
12	95-7158	3	Pin-Pivot	37	323-52	14	Screw-HH
13	32121-110	3	Pin-Roll, Slotted	38	93-8806	14	Washer-Hardened
14	105-9889	3	Cylinder Pin ASM	39	105-9823	14	Bushing-Carrier
15	104-8301	28	Nut-Flange, NI	40	105-9822	14	Spacer
16	32104-32	4	Screw-HWH	41	323-11	12	Screw-HH
17	105-3987-03	2	Plate-Skid	42	321-15	4	Screw-HH
18	108-4033	1	No. 4 Liftarm ASM	43	32128-33	4	Nut-HF
18:2	302-5	1	Fitting-Grease	44	3256-23	4	Washer-Flat
18:3	108-4000	2	Bushing	46	108-4034	1	No. 5 Liftarm ASM
18:4	104-0015	2	Bushing-Flange	46:2	302-5	1	Fitting-Grease
19	323-7	5	Screw-HH	46:3	108-4000	2	Bushing
20	108-4023	3	Shaft-Carrier, Pivot	46:4	104-0015	2	Bushing-Flange



## Hydraulic Cylinder Assembly No. 107-1979

<i>Ref.</i>	<i>Part Number</i>	<i>Qty.</i>	<i>Description</i>
1	107-1977	1	Seal Kit
1:1		1	O-Ring ●
1:2		1	O-Ring ●
1:3		1	Seal ●
1:4		1	Back-Up ●
1:5		1	Wiper ●
1:6		1	Seal W/O-Ring ●
1:7		1	Ring-Wear ●
2		1	Locknut ●
3		1	Piston ●
4		1	Ring-Retaining ●
5		1	Head ●
6		1	Rod ASM ●

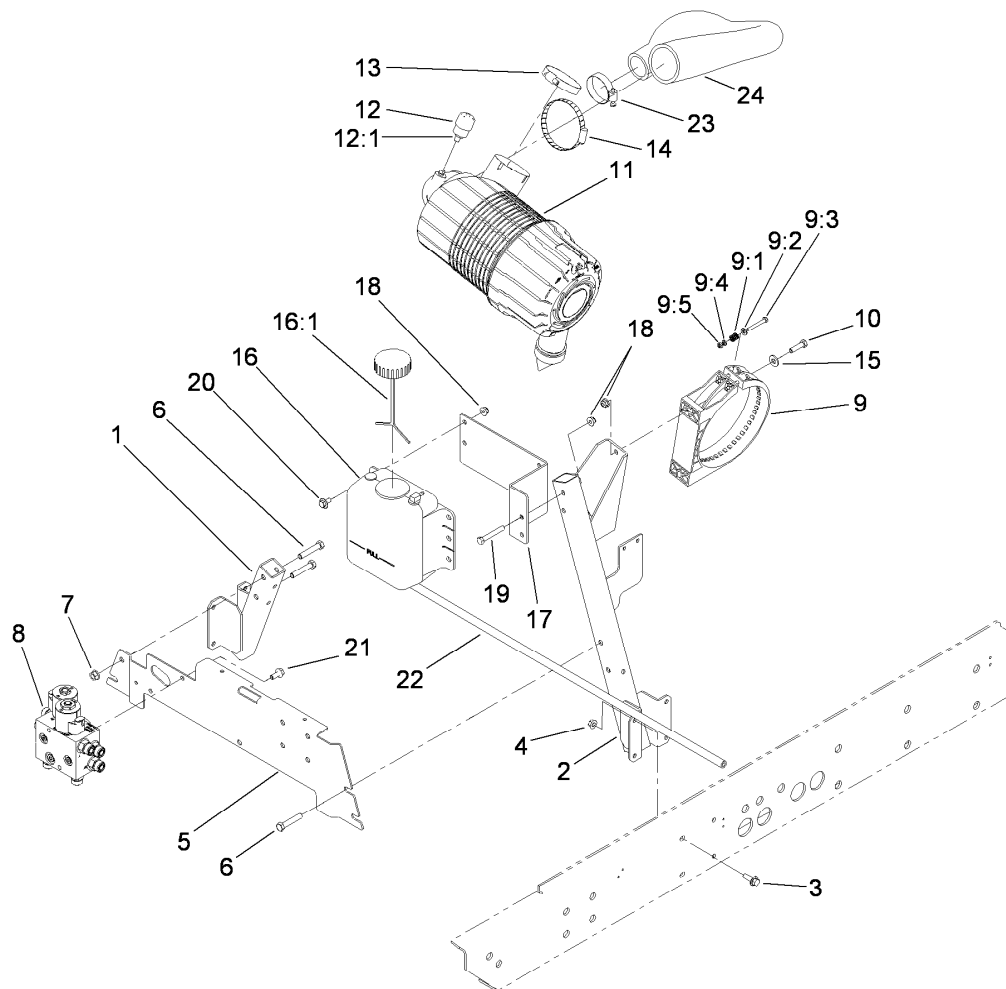
● Not serviced separately



## Hydraulic Cylinder Assembly No. 107-1980

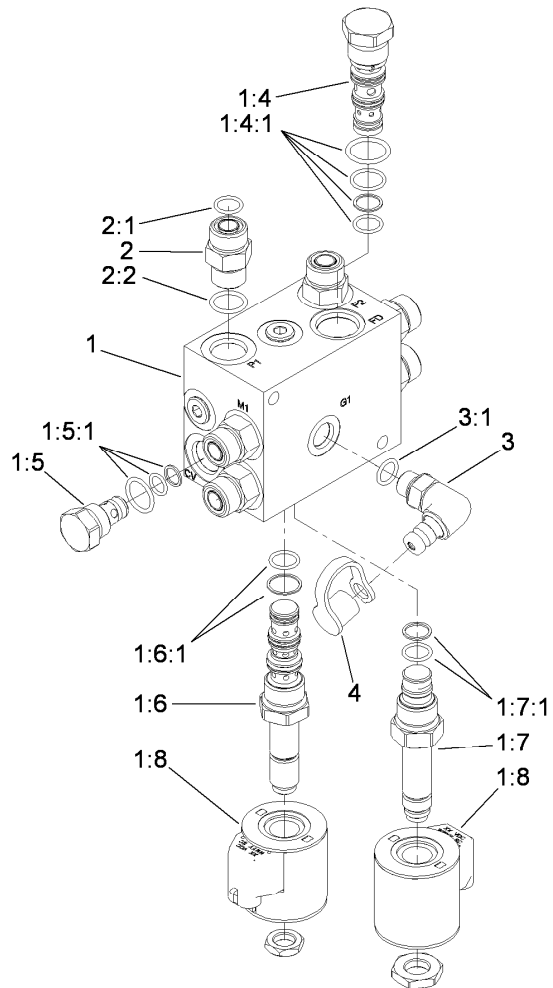
<i>Ref.</i>	<i>Part Number</i>	<i>Qty.</i>	<i>Description</i>
1	107-1977	1	Seal Kit
1:1		1	O-Ring ●
1:2		1	O-Ring ●
1:3		1	Seal ●
1:4		1	Back-Up ●
1:5		1	Wiper ●
1:6		1	Seal W/O-Ring ●
1:7		1	Ring-Wear ●
2		1	Locknut ●
3		1	Piston ●
4		1	Ring-Retaining ●
5		1	Head ●
6		1	Rod ASM ●

● Not serviced separately



## Air Cleaner and Manifold Assembly

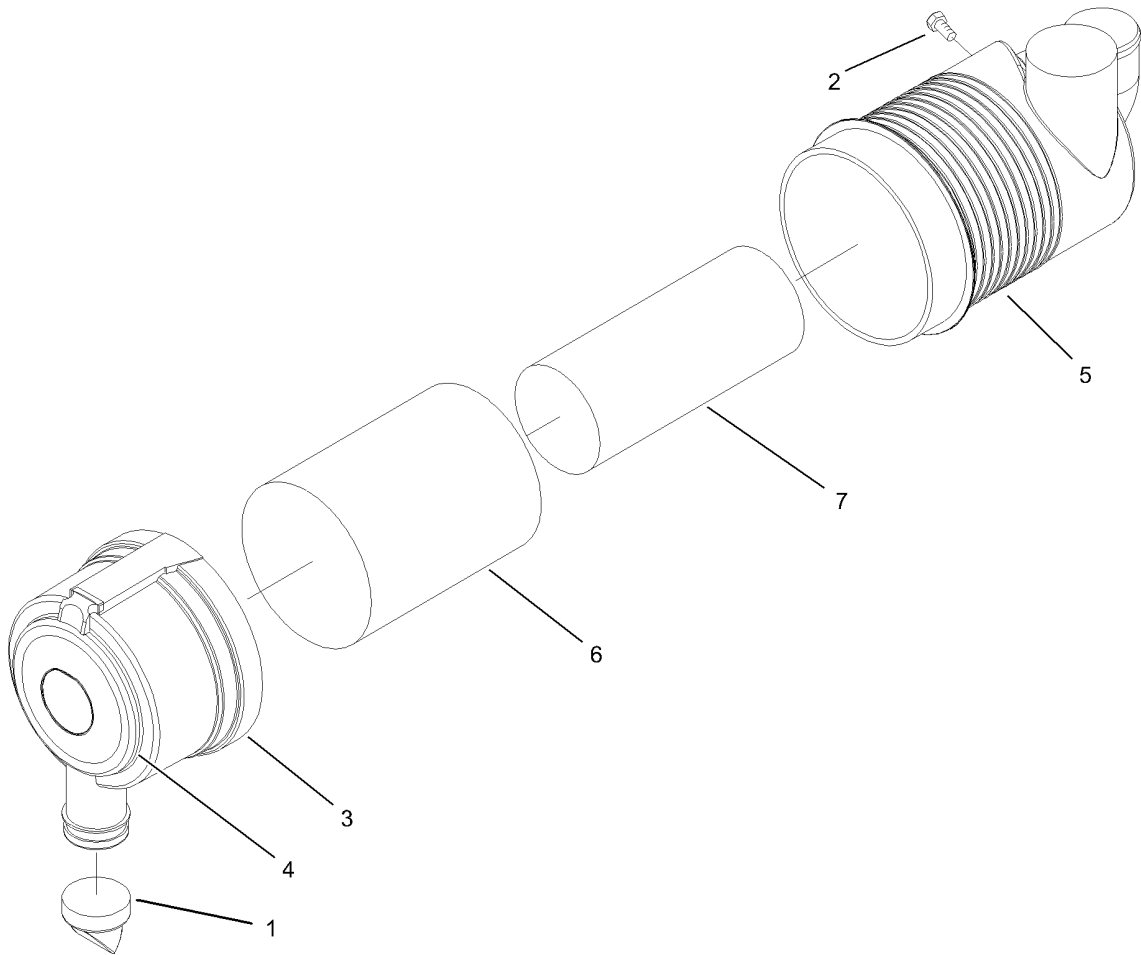
<i>Ref.</i>	<i>Part Number</i>	<i>Qty.</i>	<i>Description</i>	<i>Ref.</i>	<i>Part Number</i>	<i>Qty.</i>	<i>Description</i>
1	104-5420-03	1	Support-Battery	12	104-3563	1	Indicator
2	104-5417-03	1	Bracket-Conditioner, Air	12:1	94-1416	1	Indicator Adapter ASM
3	3234-29	8	Screw-HHF	13	2412-125	1	Clamp-Hose
4	32128-20	8	Nut-HF	14	2412-110	1	Clamp-Hose
5	114-8134-03	1	Bracket-Support	15	3256-3	2	Washer-Flat
6	323-10	4	Screw-HH	16	104-2276	1	Reservoir-Coolant
7	32128-21	4	Nut-HF	16:1	87-7050	1	Cap-Reservoir
8	117-2395	1	Fan Drive Manifold ASM	17	114-4187-03	1	Bracket-Tank
9	99-5414	1	Strap-Cleaner, Air	18	104-8300	8	Nut-Flange, NI
9:1	108-1512	2	Spring	19	322-11	2	Screw-HH
9:2	3256-22	2	Washer-Flat	20	3234-47	4	Screw-HHF
9:3	33113-050	2	Screw-HH	21	100-1668	2	Screw-Flange
9:4	33093-00	2	Washer-Flat	22	110-3258	1	Hose-Fuel
9:5	33023-00	2	Nut-Lock	23	2412-92	1	Clamp-Hose
10	322-6	2	Screw-HH	24	114-3838	1	Hose-Air Cleaner
11	99-5410	1	Cleaner-Air				



## Fan Drive Manifold Assembly No. 117-2395

<i>Ref.</i>	<i>Part Number</i>	<i>Qty.</i>	<i>Description</i>
1		1	Manifold-Fan Drive ●
1:4	115-3024	1	Flow Divider
1:4:1	115-3025	1	Seal Kit
1:5	105-9321	1	Valve-Check
1:5:1	105-9156	1	Seal Kit
1:6	115-3023	1	Valve-Solenoid
1:6:1	110-8908	1	Seal Kit
1:7	115-3022	1	Relief-Proportional
1:7:1	110-6316	1	Seal Kit
1:8	110-6344	2	Coil-12V, Dc
2	340-4	7	Fitting-HYD, Straight
2:1	237-30	1	O-Ring
2:2	237-79	1	O-Ring
3	115-9148	1	Fitting-Elbow-90
3:1	237-42	1	O-Ring
4	354-79	1	Cap-Dust

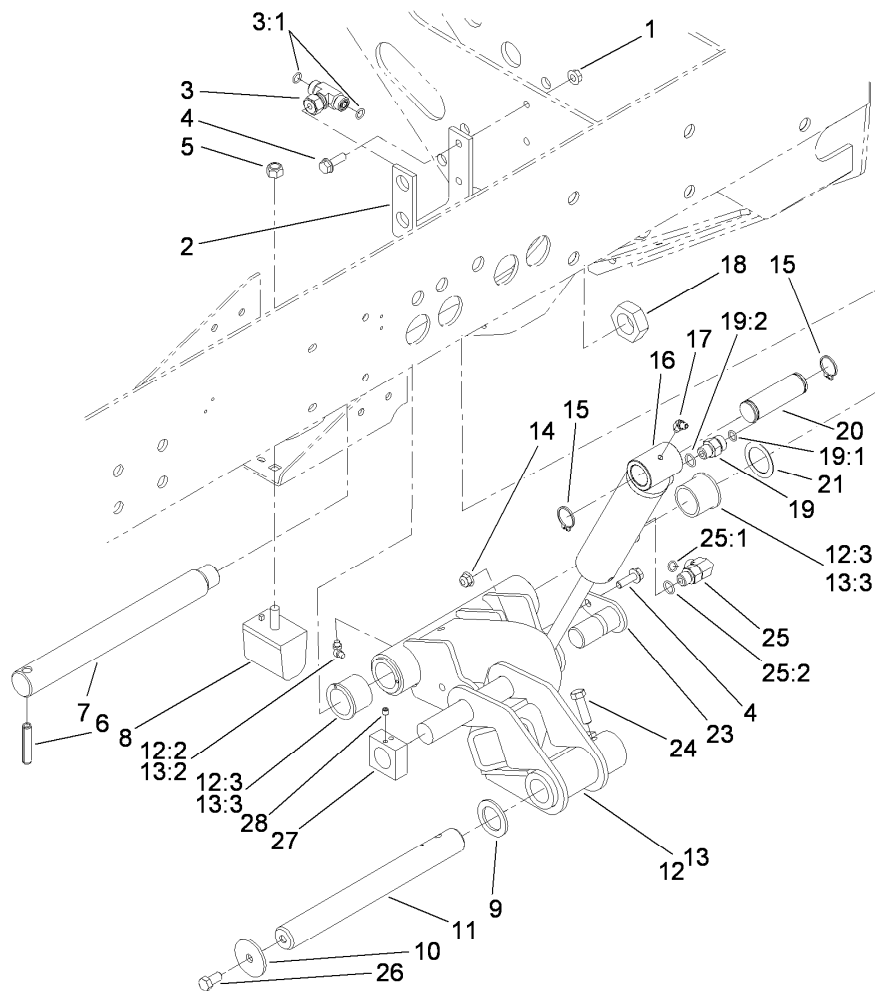
● Not serviced separately



## Air Cleaner Assembly No. 99-5410

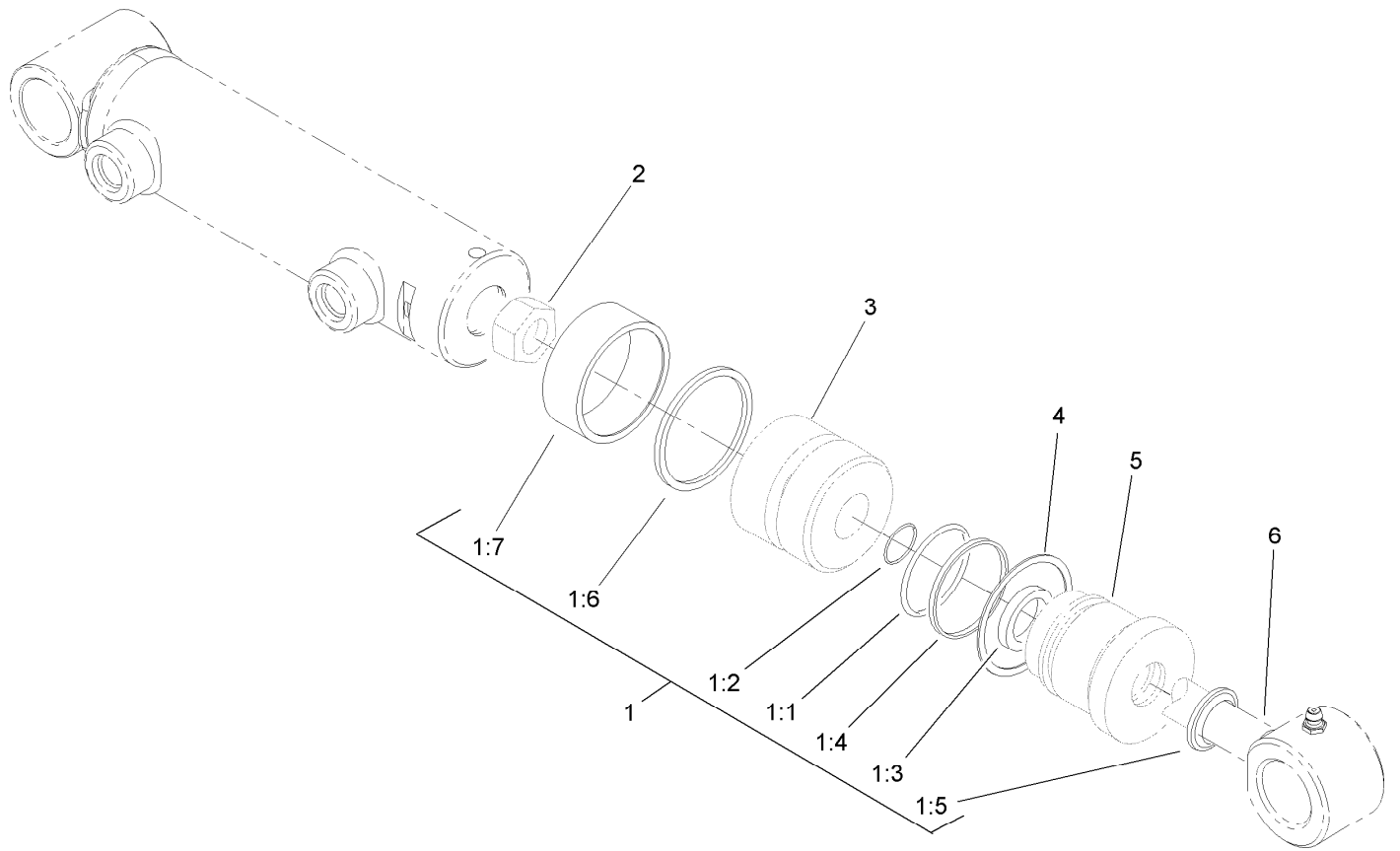
<i>Ref.</i>	<i>Part Number</i>	<i>Qty.</i>	<i>Description</i>
1	104-4258	1	Valve-Vacuator
2		1	Plug-Pipe ●
3	104-4259	1	Cover ASM
4		1	Marking ●
5		1	Body ASM ●
6	108-3814	1	Filter-Air
7	108-3816	1	Filter-Air

● Not serviced separately



## No. 2 and 3 Lift Arm Assembly

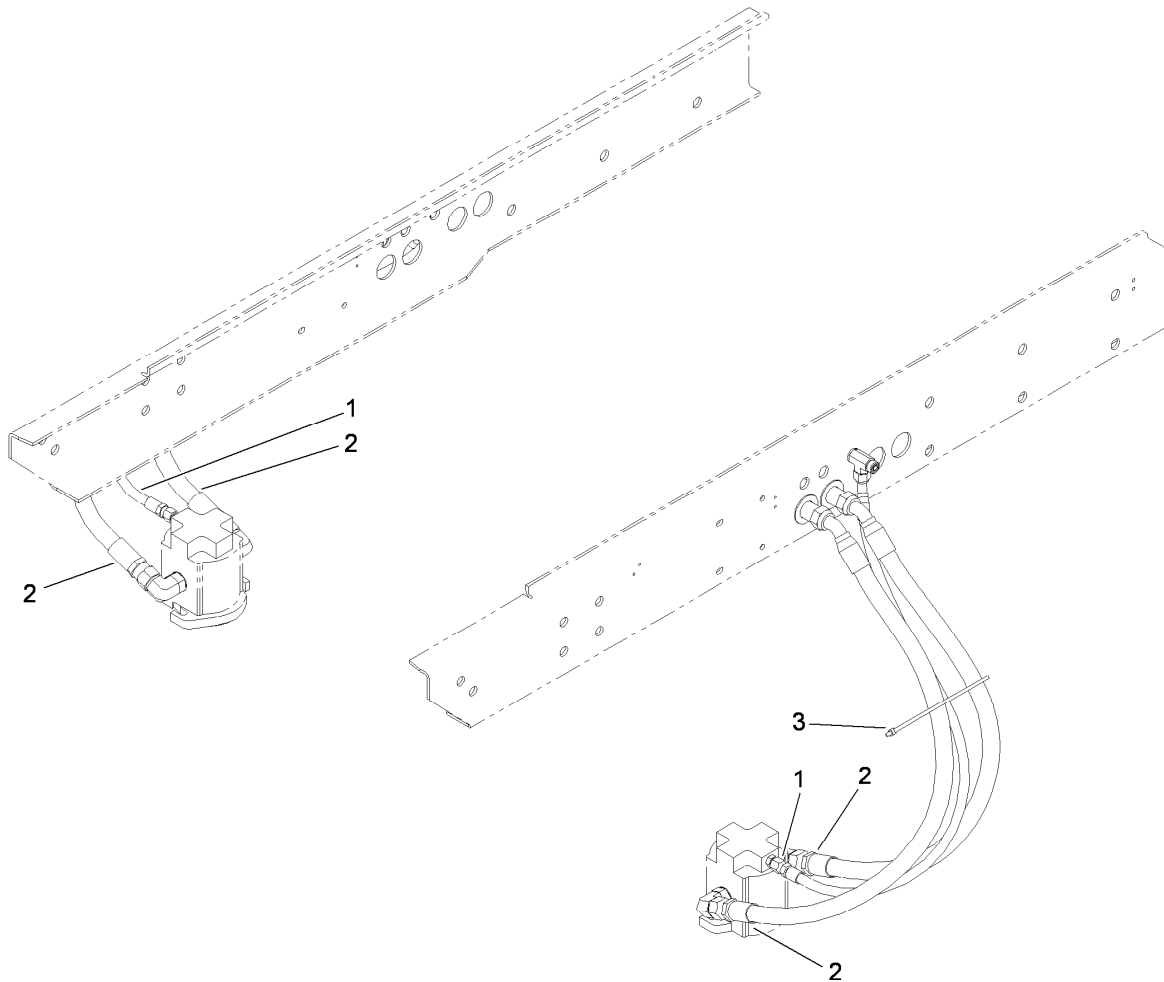
Ref.	Part Number	Qty.	Description	Ref.	Part Number	Qty.	Description
1	32128-20	2	Nut-HF	14	104-8300	2	Nut-Flange, NI
2	105-3992-03	1	Bracket-Bulkhead	15	32151-36	4	Ring-Retaining
3	340-166	2	Fitting-Tee, HYD	16	107-1978	2	Cylinder-Lift
3:1	237-22	2	O-Ring	17	302-11	2	Fitting-Lube, 45 DEG
4	3234-17	4	Screw-HHF	18	3296-49	2	Nut-Lock, NI
5	33025-00	2	Nut-Lock, NI	19	340-2	2	Fitting-HYD, Straight
6	32121-110	2	Pin-Roll, Slotted	19:1	237-22	1	O-Ring
7	95-7158	2	Pin-Pivot	19:2	237-42	1	O-Ring
8	87-3470	2	Bumper-Axle, Rear	20	92-7548	2	Pin-Cylinder
9	3-6781	2	Washer-Thrust	21	76-2980	2	Washer-Thrust
10	63-7400	2	Washer-Rebound	23	104-5525	2	Cylinder Pin ASM
11	105-9827	2	Shaft	24	323-7	2	Screw-HH
12	105-9202	1	No. 2 Lift Arm ASM	25	340-77	2	Fitting-HYD, 90 DEG
12:2	302-60	1	Fitting-Grease	25:1	237-22	1	O-Ring
12:3	104-0015	2	Bushing-Flange	25:2	237-42	1	O-Ring
13	105-9203	1	No. 3 Lift Arm ASM	26	323-4	2	Screw-HH
13:2	302-60	1	Fitting-Grease	27	105-9839	2	Stop-Rotation, No. 2 And 3
13:3	104-0015	2	Bushing-Flange	28	3245-32	4	Screw-HSH



## Hydraulic Cylinder Assembly No. 107-1978

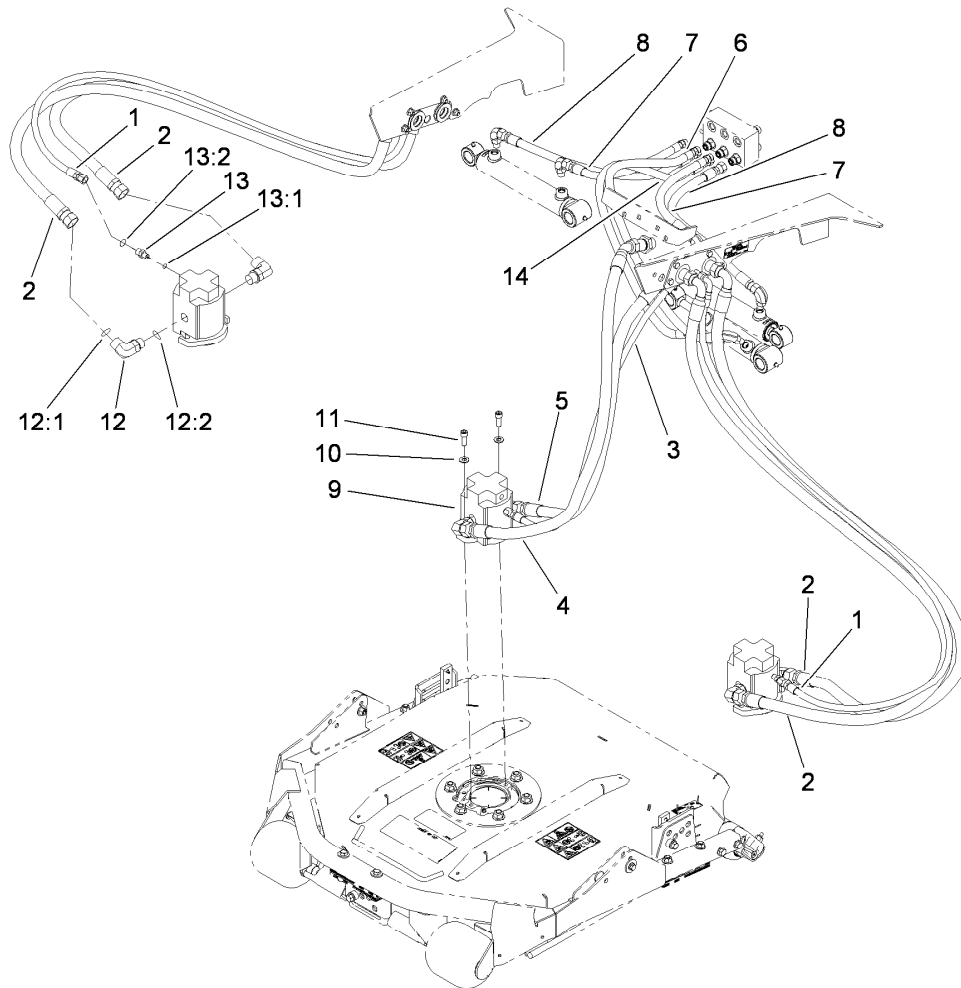
Ref.	Part Number	Qty.	Description
1	107-1977	1	Seal Kit
1:1		1	O-Ring ●
1:2		1	O-Ring ●
1:3		1	Seal ●
1:4		1	Back-Up ●
1:5		1	Wiper ●
1:6		1	Seal W/O-Ring ●
1:7		1	Ring-Wear ●
2		1	Locknut ●
3		1	Piston ●
4		1	Ring-Retaining ●
5		1	Head ●
6		1	Rod ASM ●

● Not serviced separately



## No. 2 and 3 Hose Installation Assembly

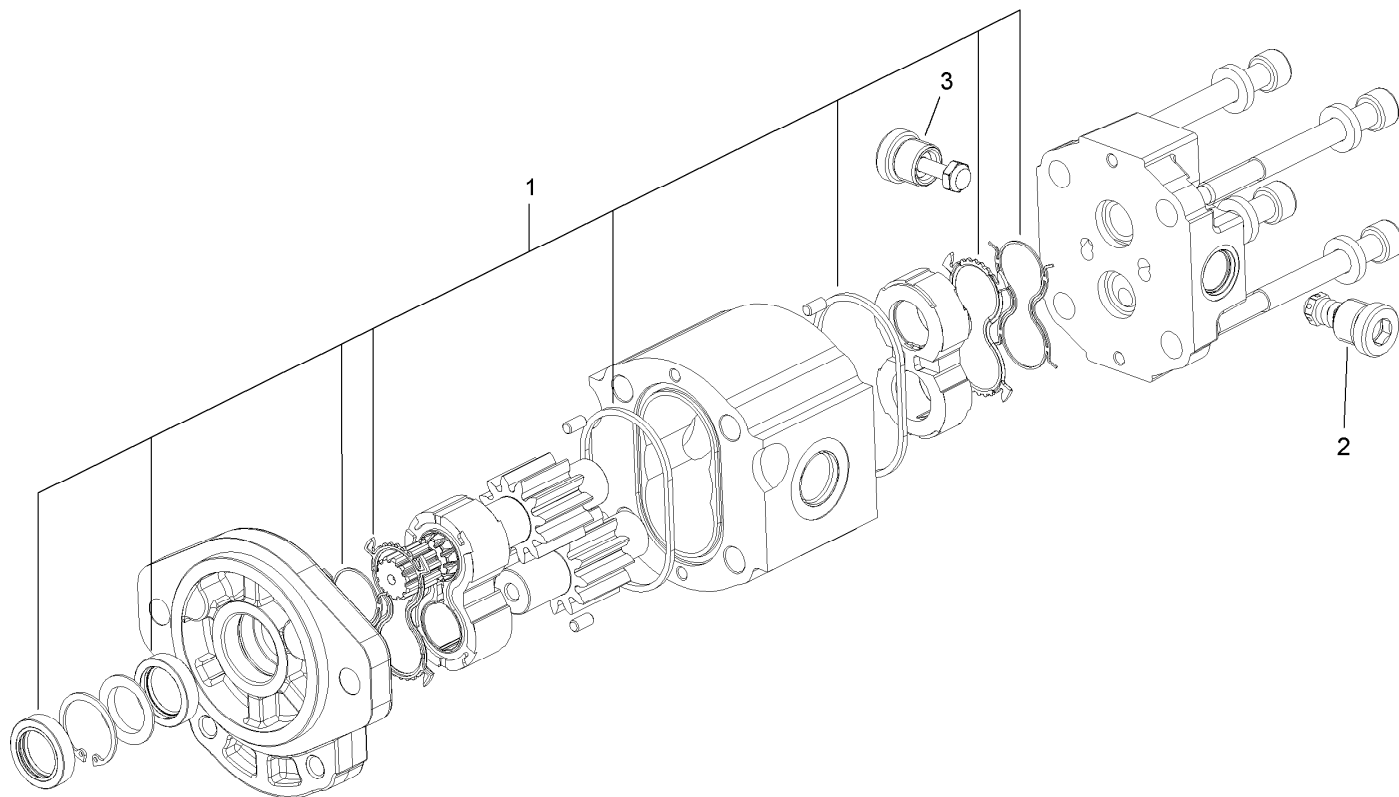
<i>Ref.</i>	<i>Part Number</i>	<i>Qty.</i>	<i>Description</i>
1	104-5502	2	Hose ASM
2	104-5505	4	Hose ASM
3	3290-379	2	Tie-Cable



## No. 1, 4 and 5 Hose Installation Assembly

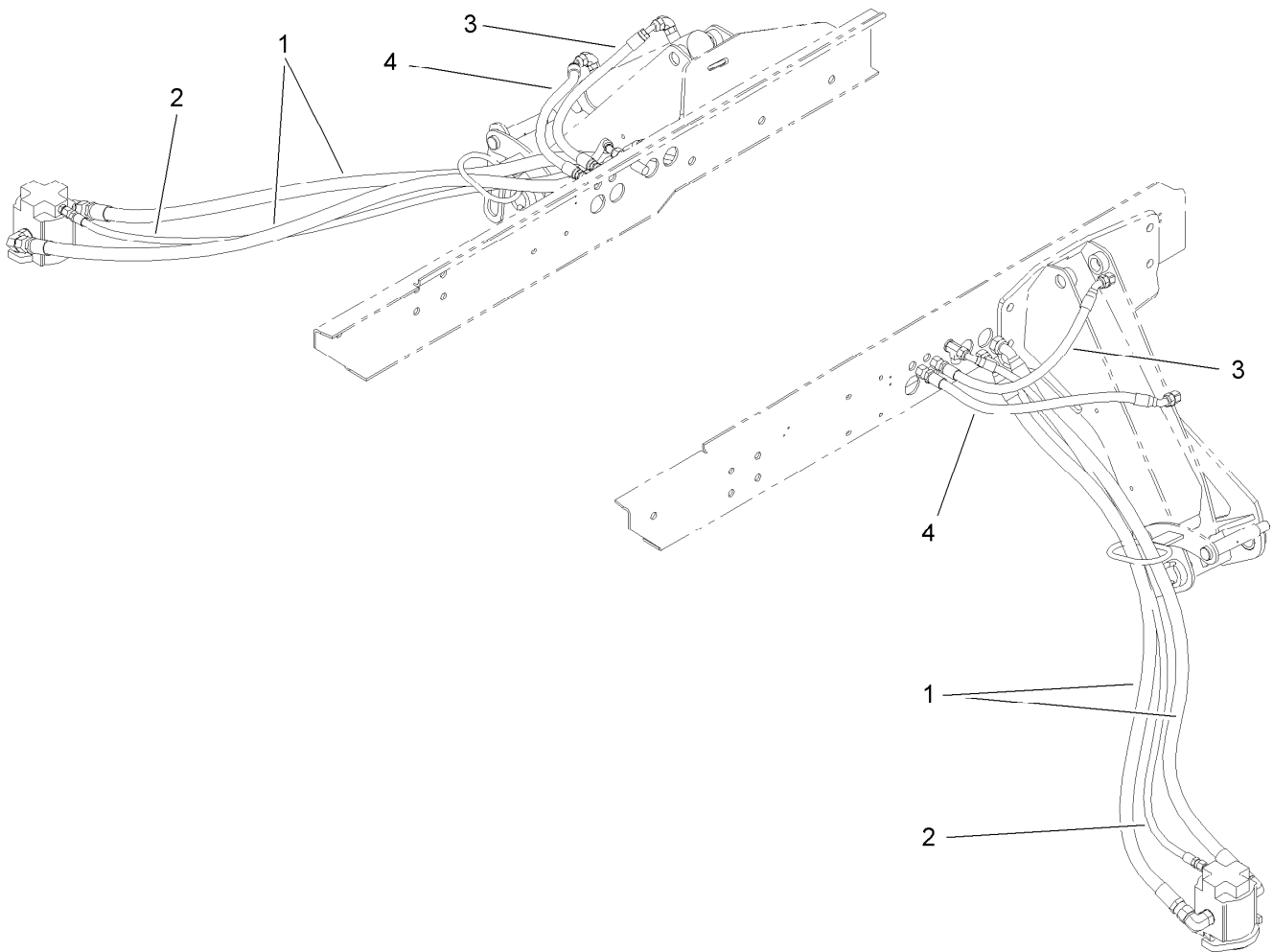
<i>Ref.</i>	<i>Part Number</i>	<i>Qty.</i>	<i>Description</i>
1	104-5500	2	Hose ASM
2	104-5501	4	Hose ASM
3	104-5502	1	Hose ASM
4	104-5504	1	Hose ASM
5	104-5505	1	Hose ASM
6	104-5511	1	Hose ASM
6:1	237-42	1	O-Ring ●
7	104-5512	2	Hose ASM
7:1	237-42	1	O-Ring ●
8	99-3579	2	Hose ASM
9	105-9872	7	HYD Motor ASM
10	3256-24	14	Washer-Flat
11	3274-7	14	Screw-HSH
12	340-17	14	Fitting-HYD, 90 DEG
12:1	237-65	1	O-Ring
12:2	237-80	1	O-Ring
13	340-92	7	Fitting-HYD, Straight
13:1	237-78	1	O-Ring
13:2	237-21	1	O-Ring
14	100-5629	1	Hose ASM

● Not illustrated



## Hydraulic Motor Assembly No. 105-9872

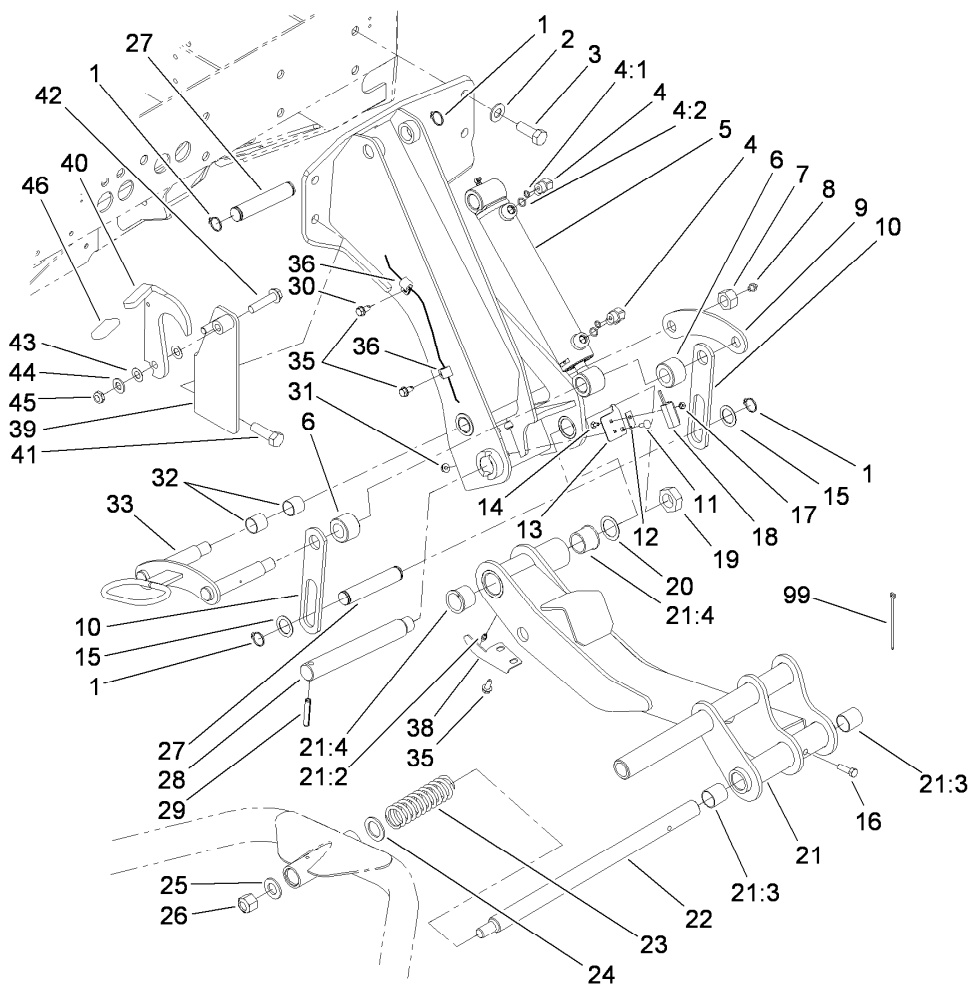
<i>Ref.</i>	<i>Part Number</i>	<i>Qty.</i>	<i>Description</i>
1	107-7819	1	Seal Kit
2	107-7820	1	Valve-Relief
3	107-7821	1	Valve-Anticavitation



## No. 6 and 7 Hose Installation Assembly

<i>Ref.</i>	<i>Part Number</i>	<i>Qty.</i>	<i>Description</i>
1	104-5498	4	Hose ASM
2	104-5499	2	Hose ASM
3	105-3918	2	Hose ASM
4	105-3919	2	Hose ASM

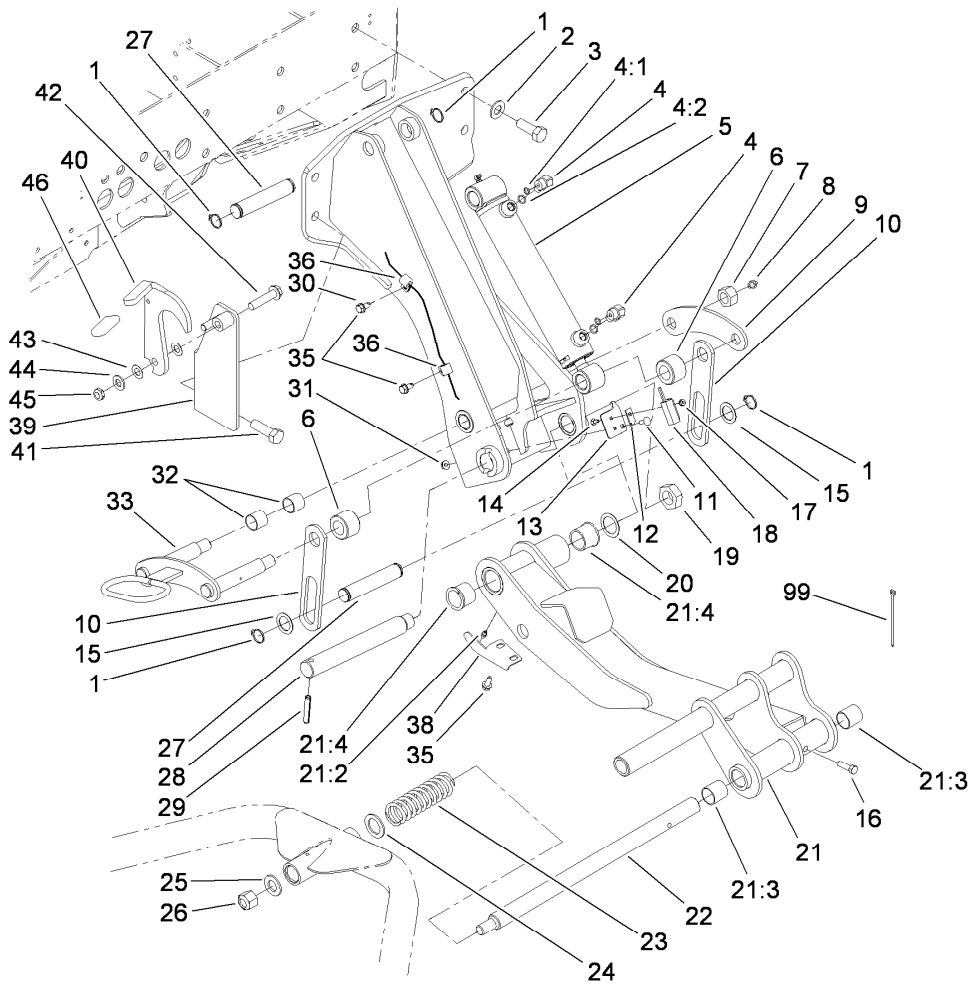
● Not illustrated



## No. 6 and 7 Lift Arm Assembly

Ref.	Part Number	Qty.	Description	Ref.	Part Number	Qty.	Description
1	32151-36	8	Ring-Retaining	21:4	104-0015	2	Bushing-Flange
2	99-7667	12	Washer-Flat	22	108-4022	2	Shaft-Carrier, Pivot
3	327-5	8	Screw-HH	23	105-3999	2	Spring-Compression
4	340-77	4	Fitting-HYD, 90 DEG	24	3-6781	2	Washer-Thrust
4:1	237-22	1	O-Ring	25	3256-28	2	Washer-Flat
4:2	237-42	1	O-Ring	26	3296-50	2	Nut-Lock, NI
5	107-1981	2	Lift Cyclinder ASM	27	93-2699	4	Pin
6	93-2700	4	Roller-Plastic	28	98-8826	2	Pin-Pivot
7	33029-00	4	Nut-Lock, NI	29	32121-110	2	Pin-Roll, Slotted
8	302-2	4	Fitting-Grease	30	104-5658-03	1	No. 7 Support Arm ASM
9	98-8821	2	Link-Rear	30	104-5657-03	1	No. 6 Support Arm ASM
10	93-2704-03	4	Link-Left	31	32128-33	2	Nut-HF
11	3229-28	2	Screw-CARR	32	67-1750	4	Bushing
12	100-4872	2	Plate-Switch, Neutral	33	104-5669	2	Link ASM
13	105-3858	2	Bracket-Switch	35	32104-32	8	Screw-HWH
14	104-1450	2	Bolt-CARR	36	2412-93	4	Clamp-R
15	10-8110	4	Washer-Thrust	38	105-9828	2	Actuator-Switch
16	323-7	2	Screw-HH	39	108-4046-03	1	Latch-Arm, RH
17	32149-7	2	Nut-Keps	39	108-4045-03	1	Latch-Arm, LH
18	106-9288	2	Sensor-Proximity, Ferrous	40	104-3556-03	1	Latch-RH
19	3296-49	2	Nut-Lock, NI	40	104-3557-03	1	Latch-LH
20	76-2980	2	Washer-Thrust	41	327-6	4	Screw-HH
21	108-4035	1	No. 6 Liftarm ASM	42	3234-46	2	Screw-HHF
21	108-4036	1	No. 7 Liftarm ASM	43	104-3577	4	Washer
21:2	302-5	1	Fitting-Grease	44	3256-26	2	Washer-Flat
21:3	108-4000	2	Bushing	45	3296-45	2	Nut-Lock, NI

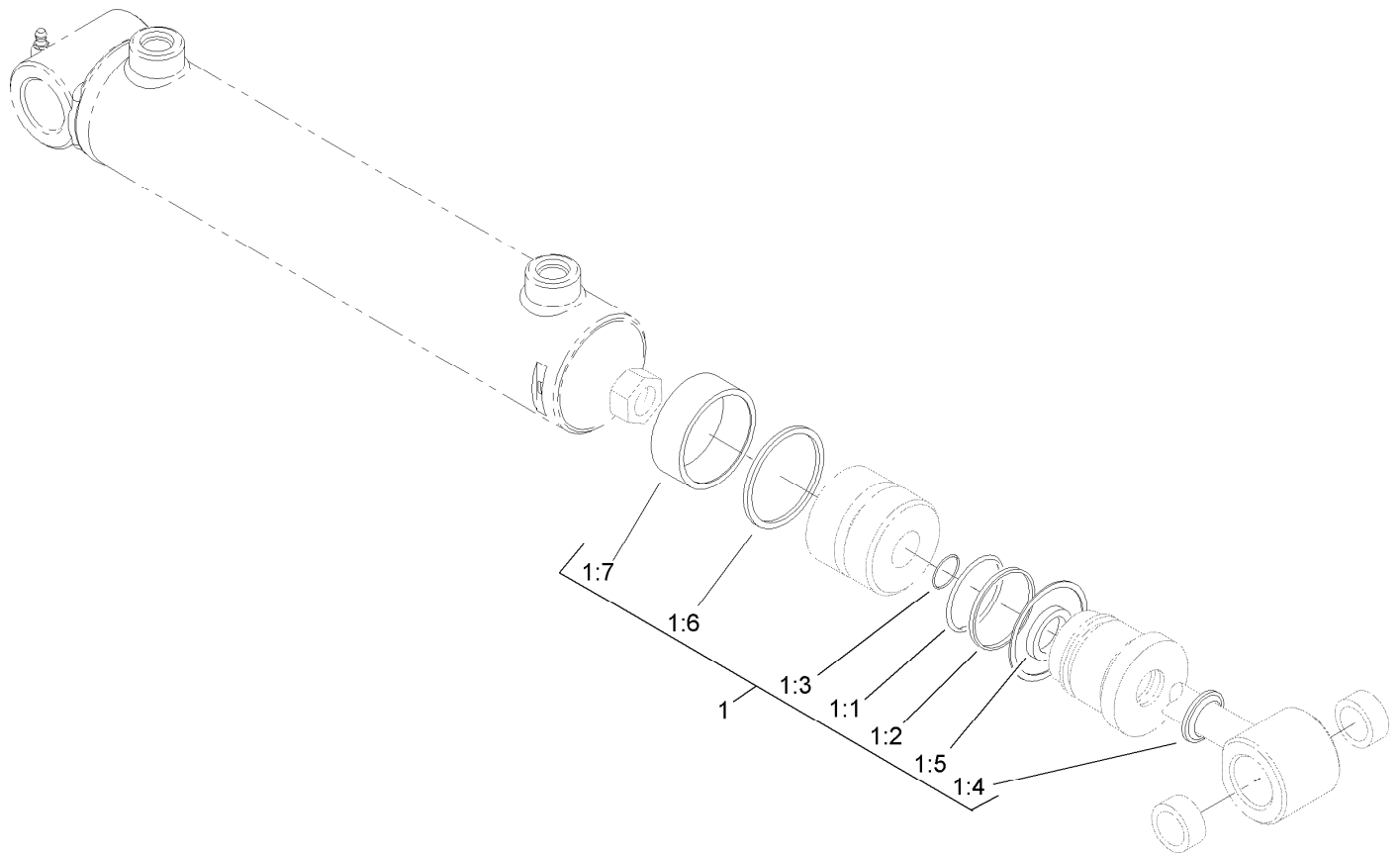
● Not illustrated



## No. 6 and 7 Lift Arm Assembly (continued)

<i>Ref.</i>	<i>Part Number</i>	<i>Qty.</i>	<i>Description</i>
46	48-7081	2	Grip-Plastic
99	3290-378	2	Tie-Cable ●

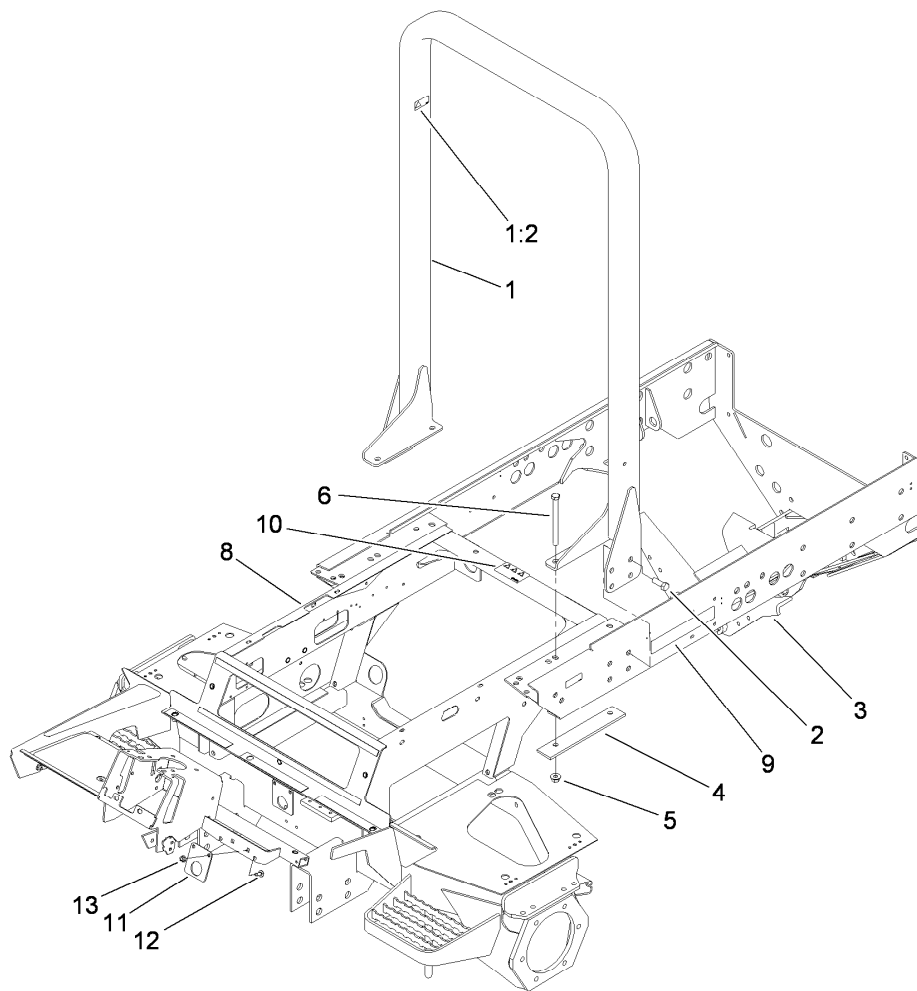
● Not illustrated



## Hydraulic Cylinder Assembly No. 107-1981

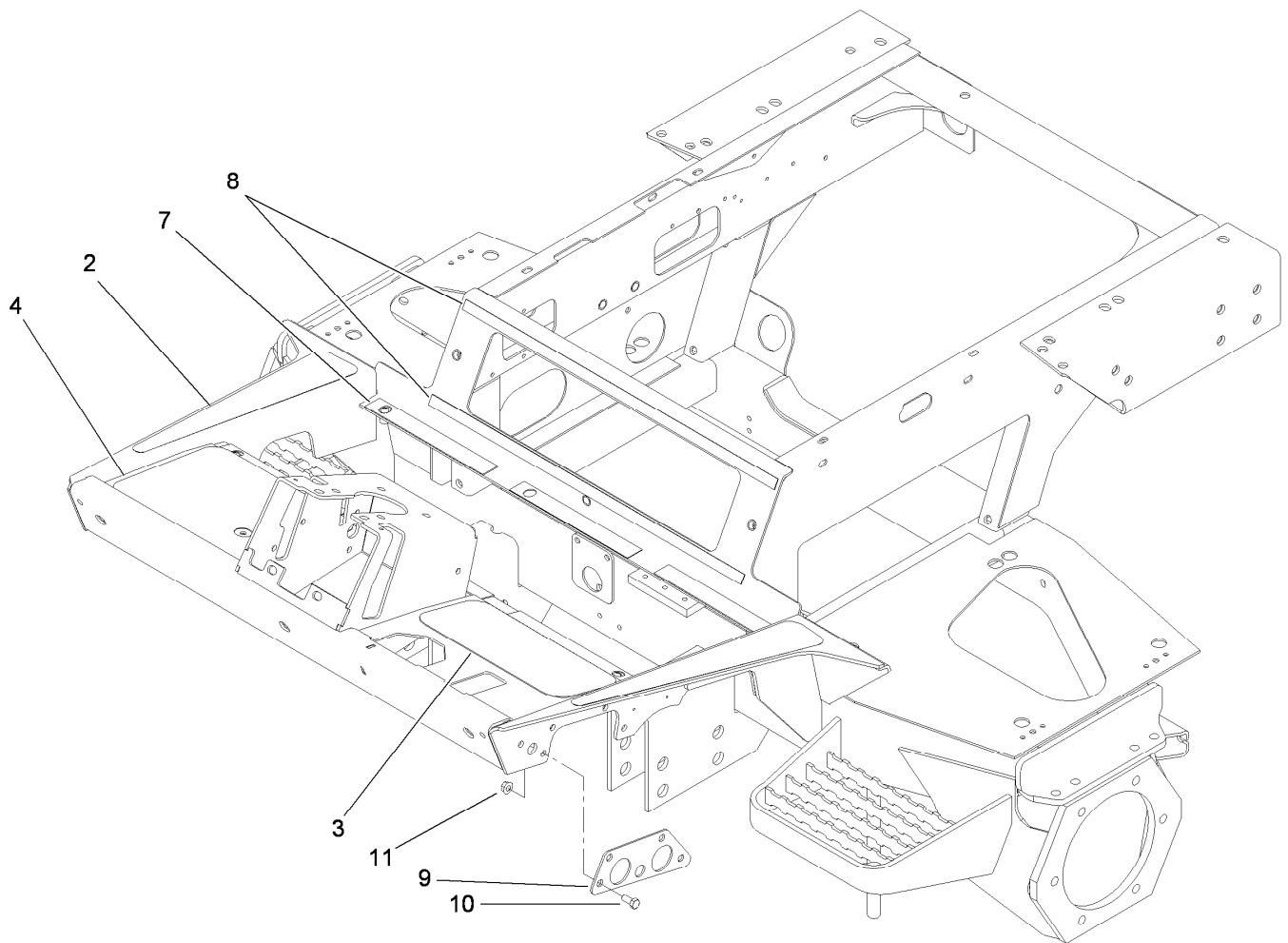
<i>Ref.</i>	<i>Part Number</i>	<i>Qty.</i>	<i>Description</i>
1	107-2564	1	Seal Kit
1:1		1	O-Ring ●
1:2		1	O-Ring ●
1:3		1	Seal ●
1:4		1	Back-Up ●
1:5		1	Wiper ●
1:6		1	Seal-W/Out Ring ●
1:7		1	Ring-Wear ●

● Not serviced separately



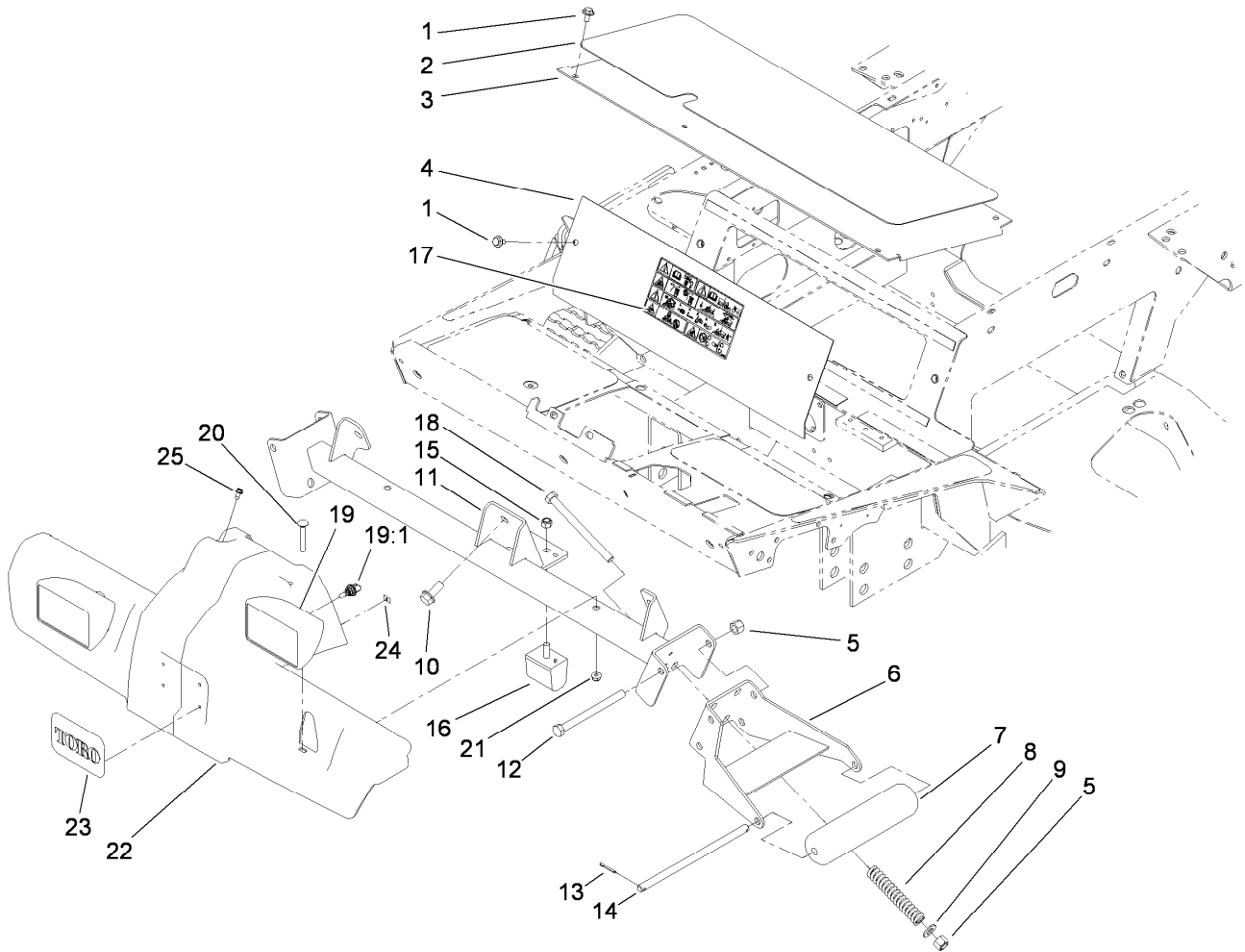
## Roll-Over Protection System and Front Frame Assembly

<i>Ref.</i>	<i>Part Number</i>	<i>Qty.</i>	<i>Description</i>
1	108-4018	1	ROPS ASM
1:2	117-4776	1	Decal-ROPS
2	3234-38	12	Screw-HHF
3	115-4394-03	1	Frame-Rear
4	104-5584-03	2	Plate-Reinforcement, ROPS
5	32128-49	4	Nut-HHF
6	325-20	4	Screw-HH
8	115-4392	1	Front Frame ASM
9	72-3560	2	Decal
10	106-6754	1	Decal-Danger
11	104-5516-01	1	Support-Tube
12	3230-23	2	Screw-CARR
13	32128-20	2	Nut-HF



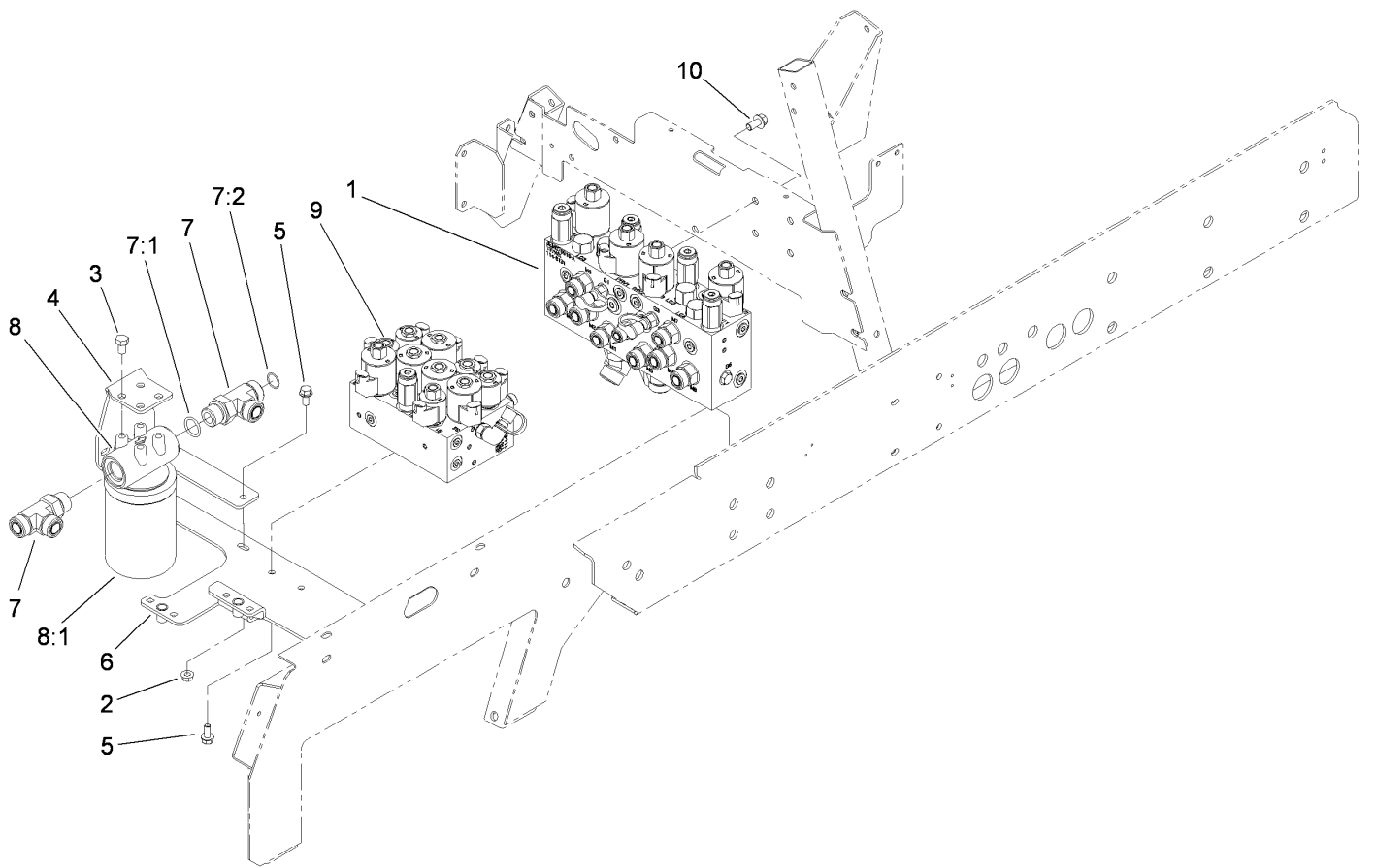
## Front Frame Assembly No. 115-4392

<i>Ref.</i>	<i>Part Number</i>	<i>Qty.</i>	<i>Description</i>
2	93-7592	2	Tread-Rest, Foot
3	75-0620	1	Tread-Foot, LH
4	104-5223	1	Tread-Foot, RH
7	105-9859	6	Seal-Foam
8	105-9860	2	Seal-Foam
9	106-7794-01	2	Plate-Mount, HYD Fitting
10	322-3	8	Screw-HH
11	32128-20	8	Nut-HF



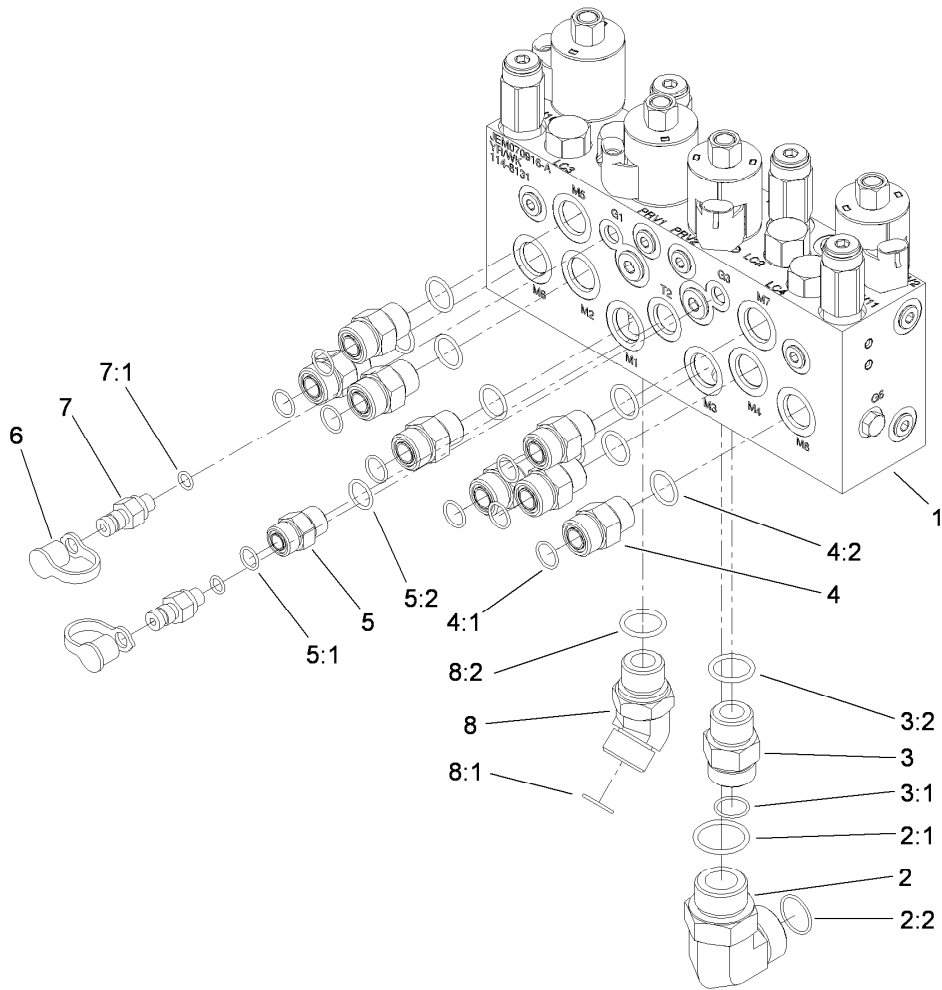
## Front Shroud and Work Light Assembly

<i>Ref.</i>	<i>Part Number</i>	<i>Qty.</i>	<i>Description</i>	<i>Ref.</i>	<i>Part Number</i>	<i>Qty.</i>	<i>Description</i>
1	3234-7	7	Screw-HHF	15	33025-00	1	Nut-Lock, NI
2	75-0630	1	Tread-Foot, Center	16	87-3470	1	Bumper-Axle, Rear
3	75-1410-01	1	Plate-Access, Floor	17	112-5297	1	Decal-Danger
4	105-9243-01	1	Plate-Access	17	112-5298	1	Decal-Danger, Ce
5	3296-23	4	Nut-Lock, NI	18	325-20	2	Screw-HH
6	105-3996-01	2	Support-Roller	19	94-9024	2	Lamp ASM
7	105-9816	2	Roller-Plastic	19:1	95-0909	1	Lamp-12 Volt
8	105-3970	2	Spring-Compression	20	3230-7	2	Screw-CARR
9	3256-26	2	Washer-Flat	21	104-8300	2	Nut-Flange, NI
10	3234-38	3	Screw-HHF	22	115-9137	1	Shroud-Platform
11	117-4760-01	1	Support-Roller	23	93-6028	1	Plate-Logo
12	325-22	2	Screw-HH	24	3254-9	4	Washer-Lock, Internal
13	3272-11	4	Pin-Cotter	25	32104-17	2	Screw-HWH
14	104-5545	2	Shaft-Roller				



## Manifold and Filter Assembly

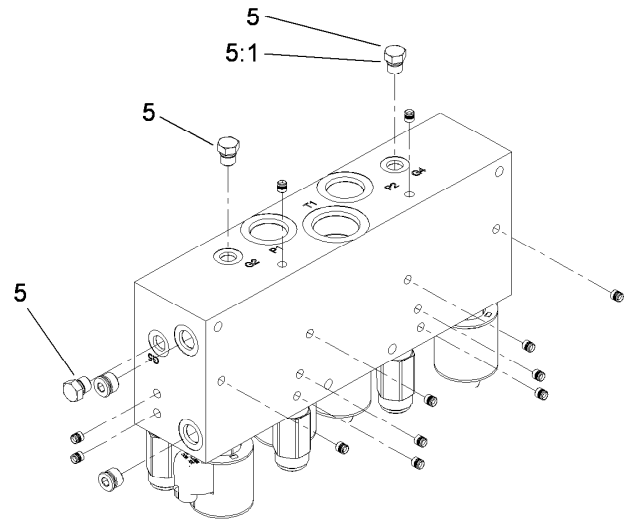
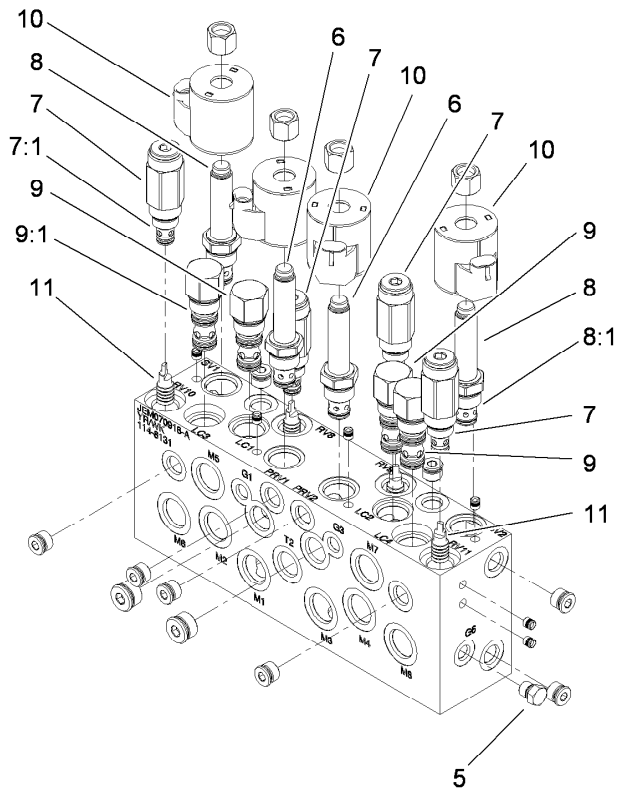
<i>Ref.</i>	<i>Part Number</i>	<i>Qty.</i>	<i>Description</i>
1	117-2393	1	Mow Manifold ASM
2	32128-20	2	Nut-HF
3	33115-016	4	Screw-HH
4	104-5492-03	1	Bracket-Mount, Filter
5	3234-5	8	Screw-HHF
6	117-2362	1	Bracket-Mount, Valve
7	340-148	2	Fitting-Tee
7:1	237-81	1	O-Ring
7:2	237-58	2	O-Ring
8	93-2242	1	Oil Filter ASM
8:1	75-1310	1	Element-Filter
9	117-2389	1	Lift Manifold ASM
10	110-1718	3	Screw-HHF



## Mow Manifold Assembly No. 117-2393

Ref.	Part Number	Qty.	Description
1		1	Manifold-Mow ●
2	340-129	1	Fitting-HYD, 90 DEG
2:1	237-146	1	O-Ring
2:2	340-65	1	O-Ring
3	340-9	1	Fitting-Straight
3:1	237-58	1	O-Ring
3:2	237-81	1	O-Ring
4	340-7	8	Adapter
4:1	237-65	1	O-Ring
4:2	237-80	1	O-Ring
5	340-4	1	Fitting-HYD, Straight
5:1	237-30	1	O-Ring
5:2	237-79	1	O-Ring
6	354-79	2	Cap-Dust
7	354-77	2	Fitting-Quick
7:1	237-78	1	O-Ring
8	100-5530	1	Fitting-HYD, 45 DEG
8:1	237-58	1	O-Ring
8:2	237-81	1	O-Ring

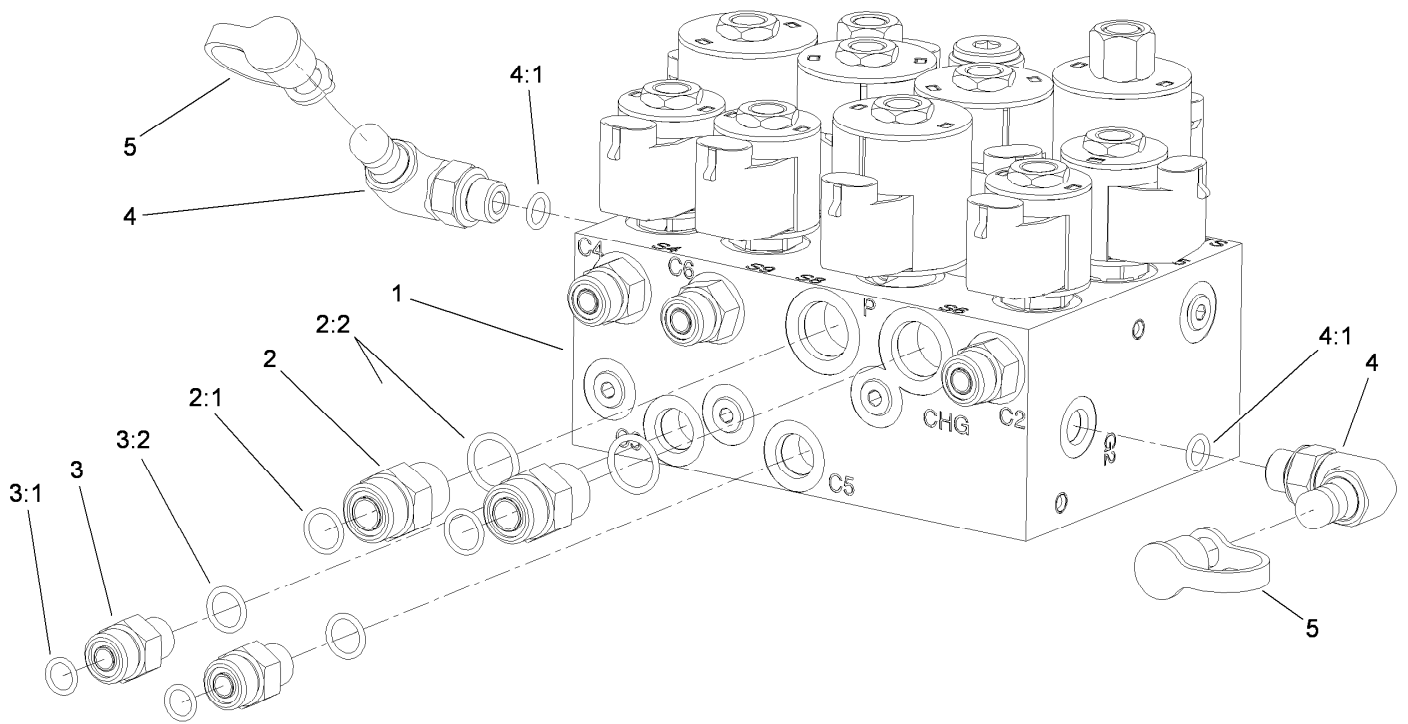
● Not serviced separately



## Mow Manifold Assembly

<i>Ref.</i>	<i>Part Number</i>	<i>Qty.</i>	<i>Description</i>
5	117-0115	4	Plug-HYD
5:1	237-78	1	O-Ring
6	110-8799	2	Relief-Proportional
7	112-5259	4	Valve-Relief
7:1	105-9156	1	Seal Kit
8	105-9158	2	Valve-Solenoid, N.O.
8:1	105-9159	1	Seal Kit ●
9	105-9153	4	Element-Logic, Vented
9:1	105-9154	1	Seal Kit
10	110-6344	4	Coil-12V, Dc
11	105-9157	4	Piston-Pilot

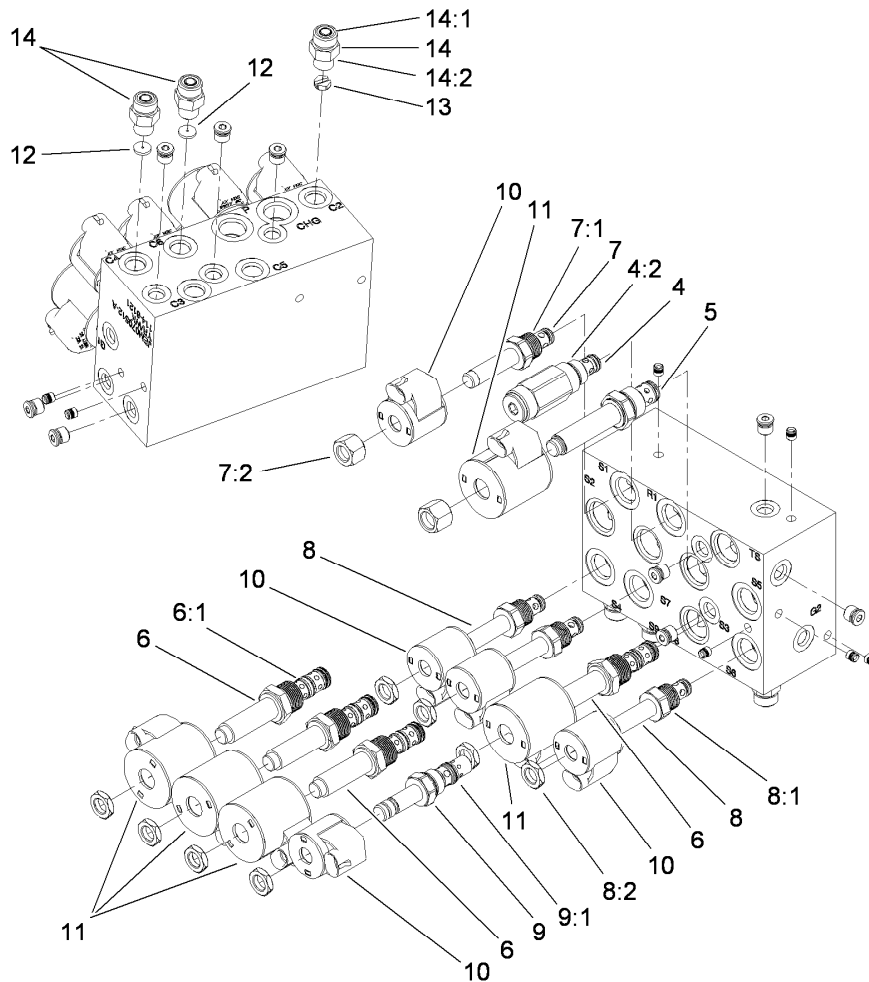
● Not illustrated



## Lift Manifold Assembly No. 117-2389

<i>Ref.</i>	<i>Part Number</i>	<i>Qty.</i>	<i>Description</i>
1		1	Manifold-Lift ●
2	340-4	2	Fitting-HYD, Straight
2:1	237-30	1	O-Ring
2:2	237-79	1	O-Ring
3	340-2	2	Fitting-HYD, Straight
3:1	237-22	1	O-Ring
3:2	237-42	1	O-Ring
4	115-9147	2	Fitting-Elbow, 90 DEG
4:1	237-78	1	O-Ring
5	354-79	2	Cap-Dust

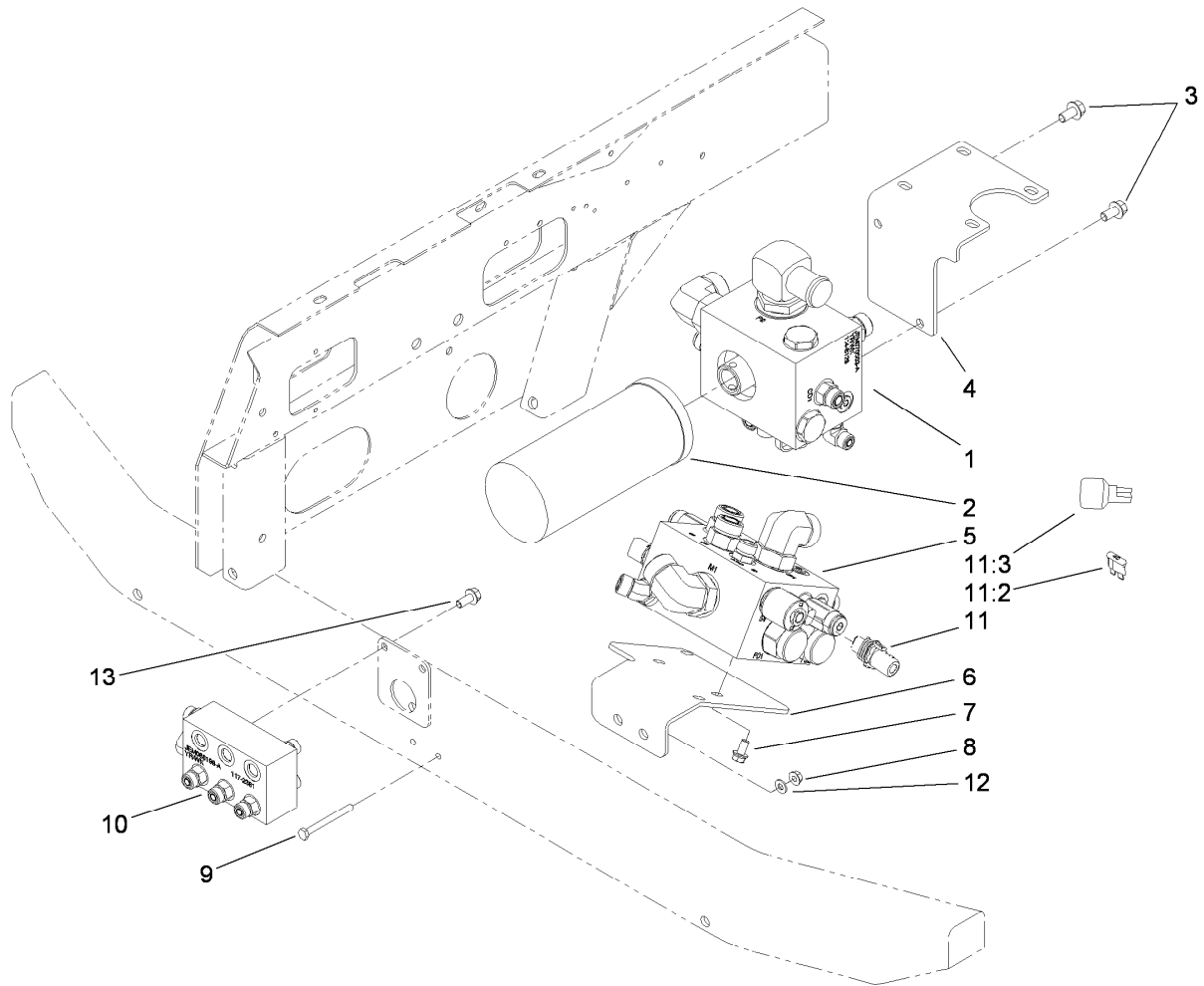
● Not serviced separately



## Lift Manifold Assembly

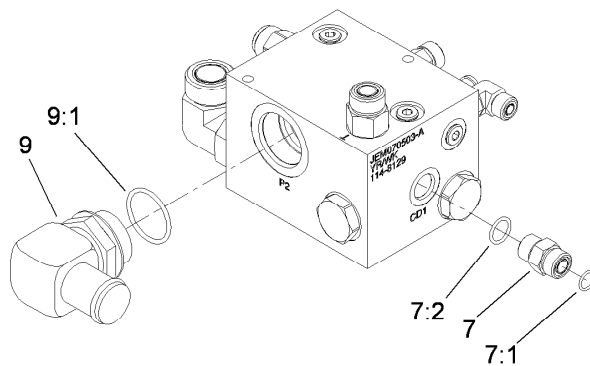
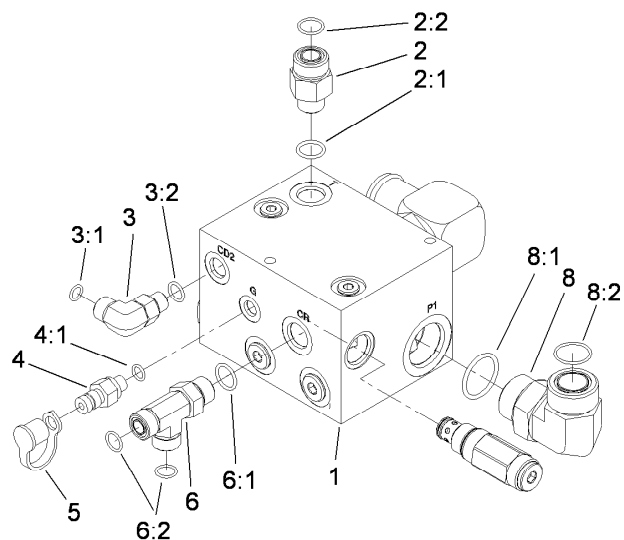
<i>Ref.</i>	<i>Part Number</i>	<i>Qty.</i>	<i>Description</i>
4	105-9844	1	Valve-Relief
4:2	105-9156	1	Seal Kit ●
5	117-2399	1	Relief Valve-Proportional
6	115-5400	4	Valve-Solenoid
6:1	107-7813	1	Seal Kit
7	107-7517	1	Valve-Solenoid
7:1	105-9156	1	Seal Kit
7:2	107-7812	1	Nut-Solenoid ●
8	112-9206	3	Valve-Solenoid
8:1	105-9156	1	Seal Kit
8:2	110-2634	1	Nut-Coil
9	115-5405	1	Valve-Solenoid
9:1	115-5413	1	Seal Kit
10	110-0497	5	Coil-Solenoid
11	110-6344	5	Coil-12V, Dc
12	117-4757	2	Orifice-Disk, .063
13	117-4756	1	Orifice-Flow Control, .080
14	340-2	3	Fitting-HYD, Straight
14:1	237-22	1	O-Ring
14:2	237-42	1	O-Ring

● Not illustrated



## 4-Wheel Drive Manifold and Filter Assembly

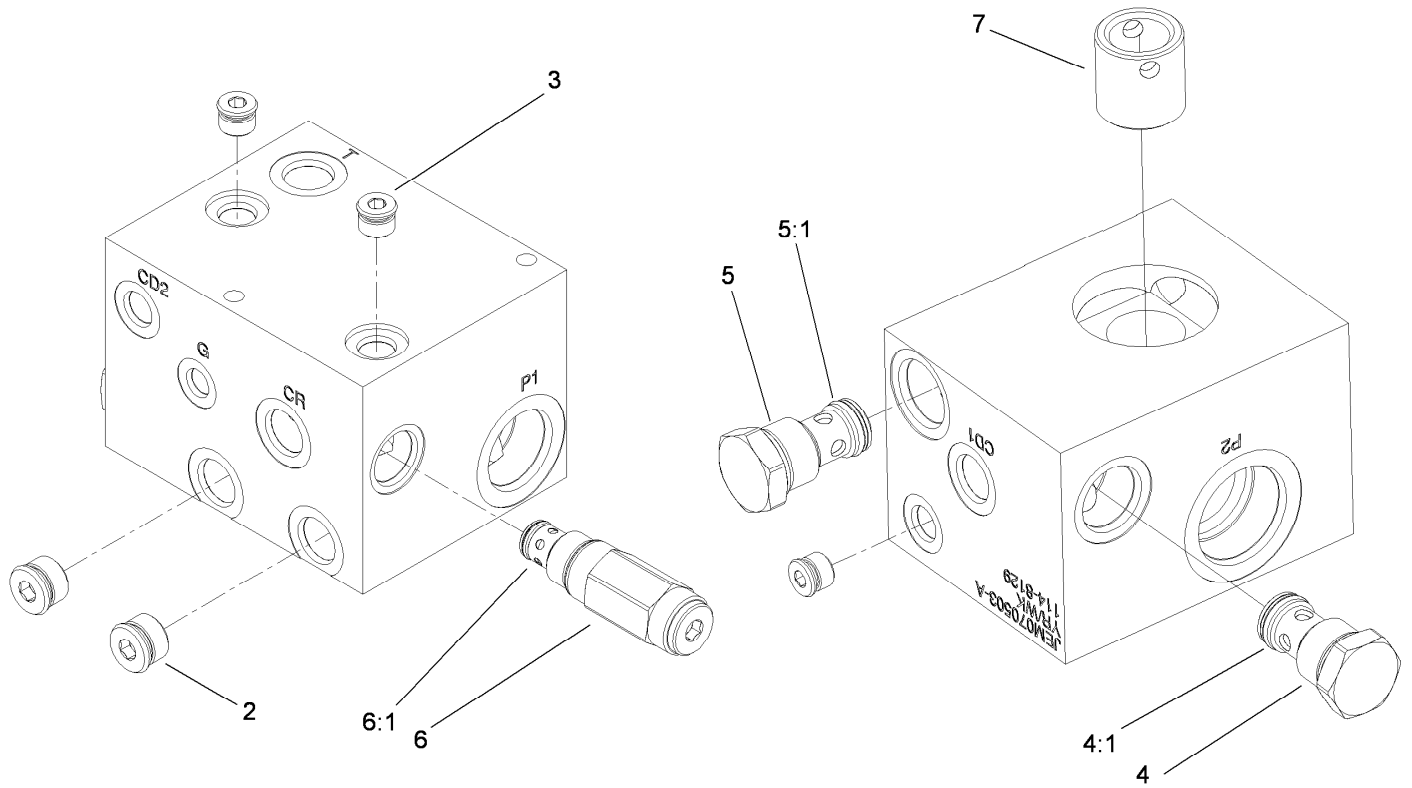
<i>Ref.</i>	<i>Part Number</i>	<i>Qty.</i>	<i>Description</i>
1	117-2391	1	Filter Manifold ASM
2	94-2621	1	Element-Filter
3	110-1718	2	Screw-HHF
4	114-8135-03	1	Bracket-Manifold, Filter
5	117-2390	1	4Wd Manifold ASM
6	104-5467-03	1	Bracket-Mount, Valve
7	3234-14	3	Screw-HHF
8	32128-33	2	Nut-HF
9	321-14	2	Screw-HH
10	117-2394	1	Junction Manifold ASM
11	115-9102	1	Harness-Wire, Main
11:2	99-6124	1	Fuse-Blade, 40 Amp
11:3	100-4918	1	Diode
12	3256-22	2	Washer-Flat
13	3234-5	2	Screw-HHF



## Filter Manifold Assembly No. 117-2391

Ref.	Part Number	Qty.	Description
1		1	Manifold-Filter ●
2	340-155	1	Fitting-HYD, Straight
2:1	237-79	1	O-Ring
2:2	237-151	1	O-Ring
3	340-77	1	Fitting-HYD, 90 DEG
3:1	237-22	1	O-Ring
3:2	237-42	1	O-Ring
4	354-77	1	Fitting-Quick
4:1	237-78	1	O-Ring
5	354-79	1	Cap-Dust
6	340-109	1	Fitting-HYD, Tee
6:1	237-79	1	O-Ring
6:2	237-30	2	O-Ring
7	340-4	1	Fitting-HYD, Straight
7:1	237-30	1	O-Ring
7:2	237-79	1	O-Ring
8	340-129	1	Fitting-HYD, 90 DEG
8:1	237-146	1	O-Ring
8:2	340-65	1	O-Ring
9	92-7526	1	Fitting-HYD, 90 DEG
9:1	237-101	1	O-Ring

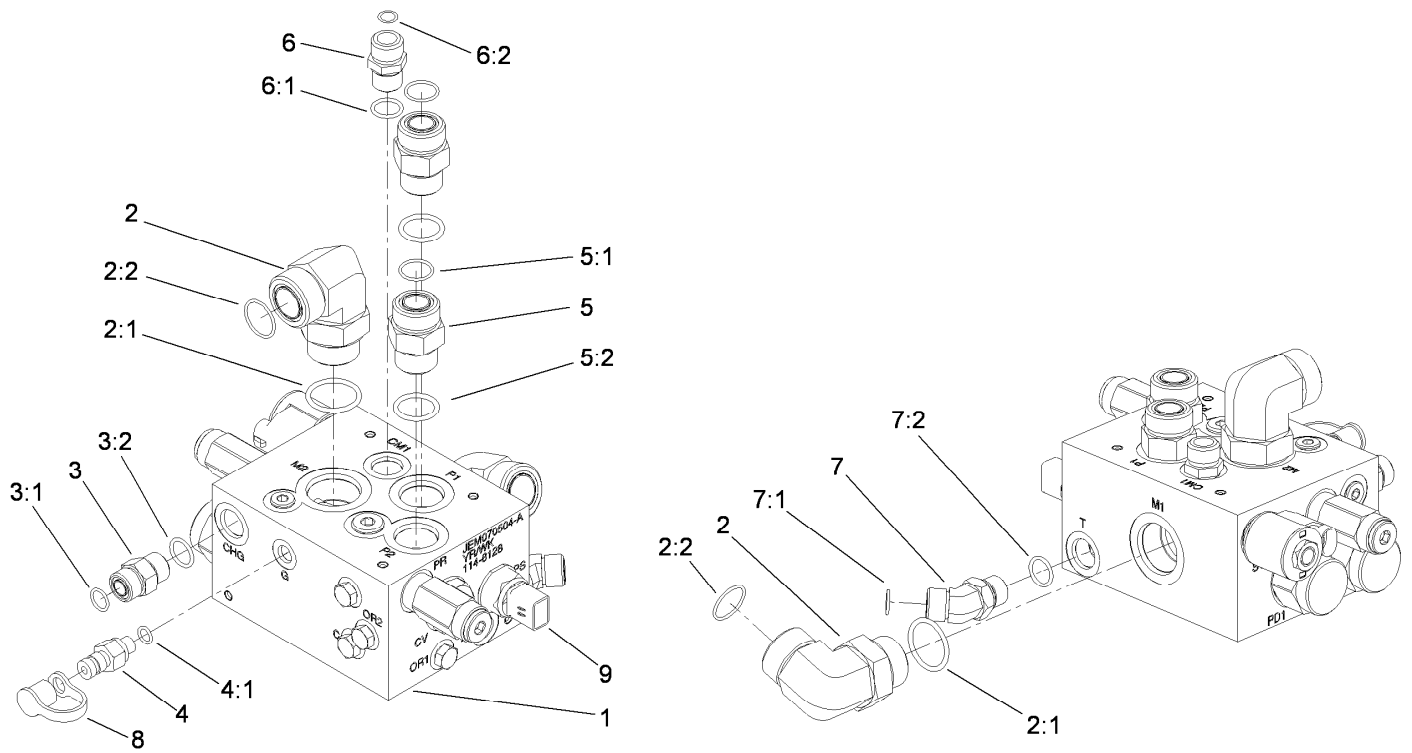
● Not serviced separately



## Filter Manifold Assembly

Ref.	Part Number	Qty.	Description
2		2	Plug ●
3		3	Plug ●
4	110-0468	1	Valve-Check, 5 Psi
4:1	110-0470	1	Seal Kit
5	110-0467	1	Valve-Check, 40 Psi
5:1	110-0470	1	Seal Kit
6	115-4140	1	Valve-Check
6:1	105-9159	1	Seal Kit
7		1	Filter Nipple ●

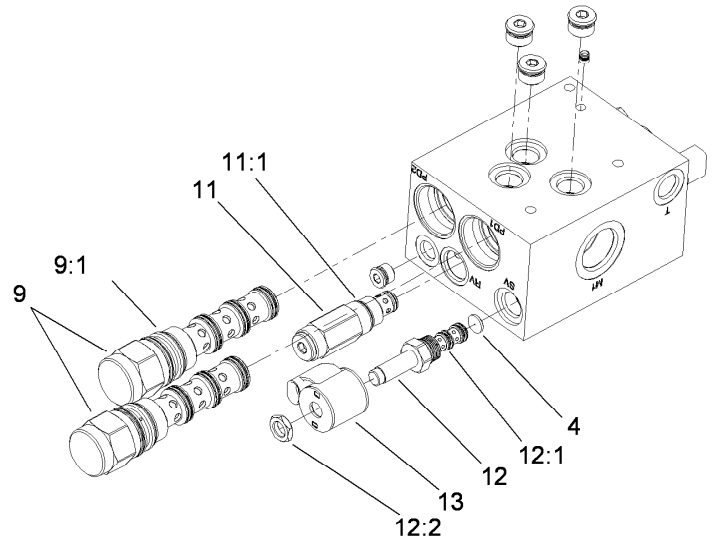
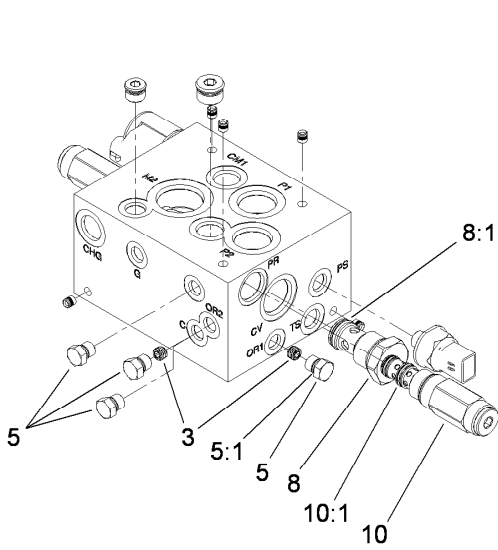
● Not serviced separately



## 4-Wheel Drive Manifold Assembly No. 117-2390

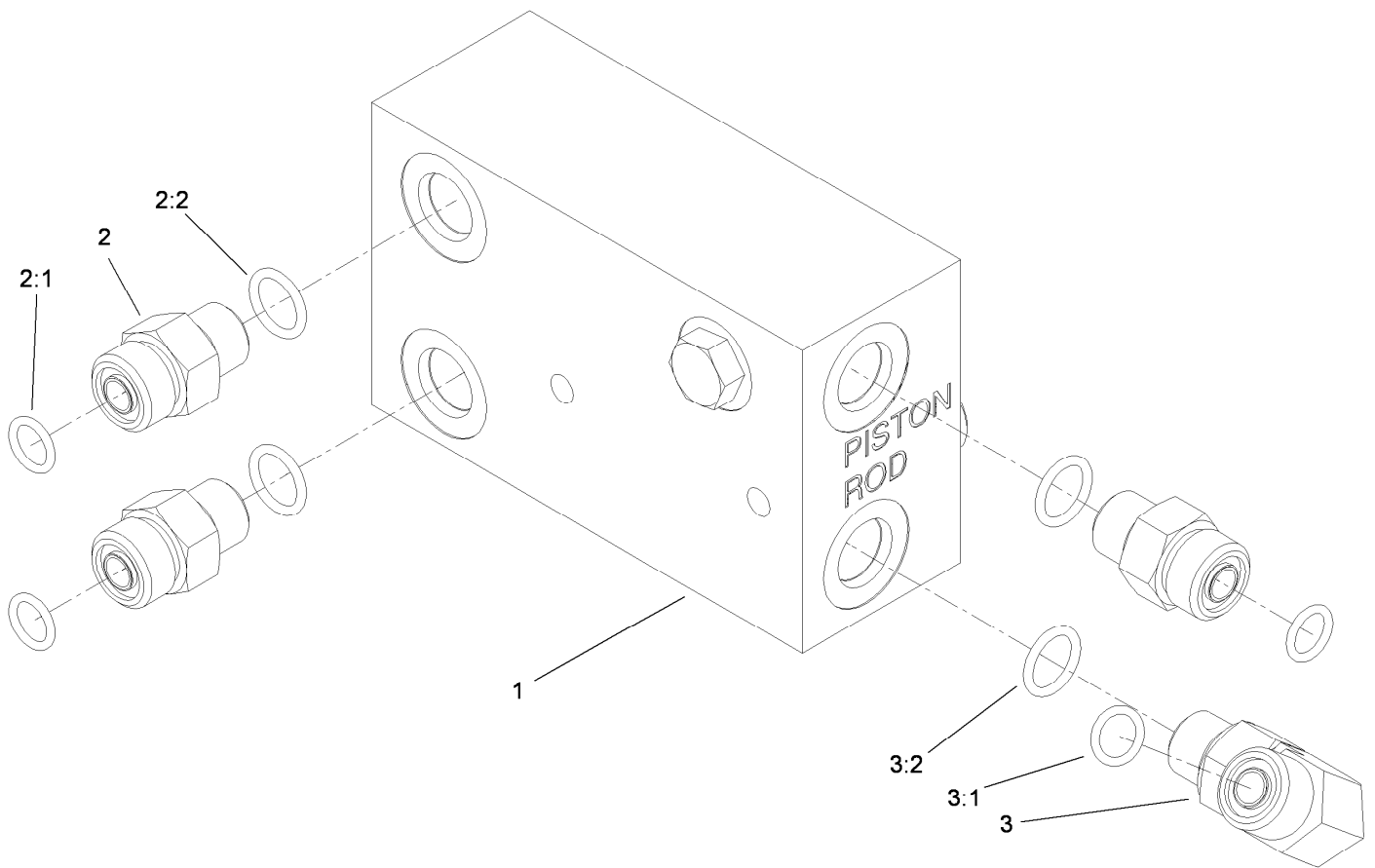
Ref.	Part Number	Qty.	Description
1		1	Manifold-4Wd ●
2	340-129	2	Fitting-HYD, 90 DEG
2:1	237-146	1	O-Ring
2:2	340-65	1	O-Ring
3	340-4	1	Fitting-HYD, Straight
3:1	237-30	1	O-Ring
3:2	237-79	1	O-Ring
4	354-77	1	Fitting-Quick
4:1	237-78	1	O-Ring
5	340-9	2	Fitting-Straight
5:1	237-58	1	O-Ring
5:2	237-81	1	O-Ring
6	100-4890	1	Fitting-Check
6:1	237-79	1	O-Ring
6:2	237-30	1	O-Ring
7	340-101	1	Fitting-HYD, 45 DEG
7:1	237-30	1	O-Ring
7:2	237-79	1	O-Ring
8	354-79	1	Cap-Dust
9	115-9132	1	Sensor-Pressure

● Not serviced separately



## 4-Wheel Drive Manifold Assembly

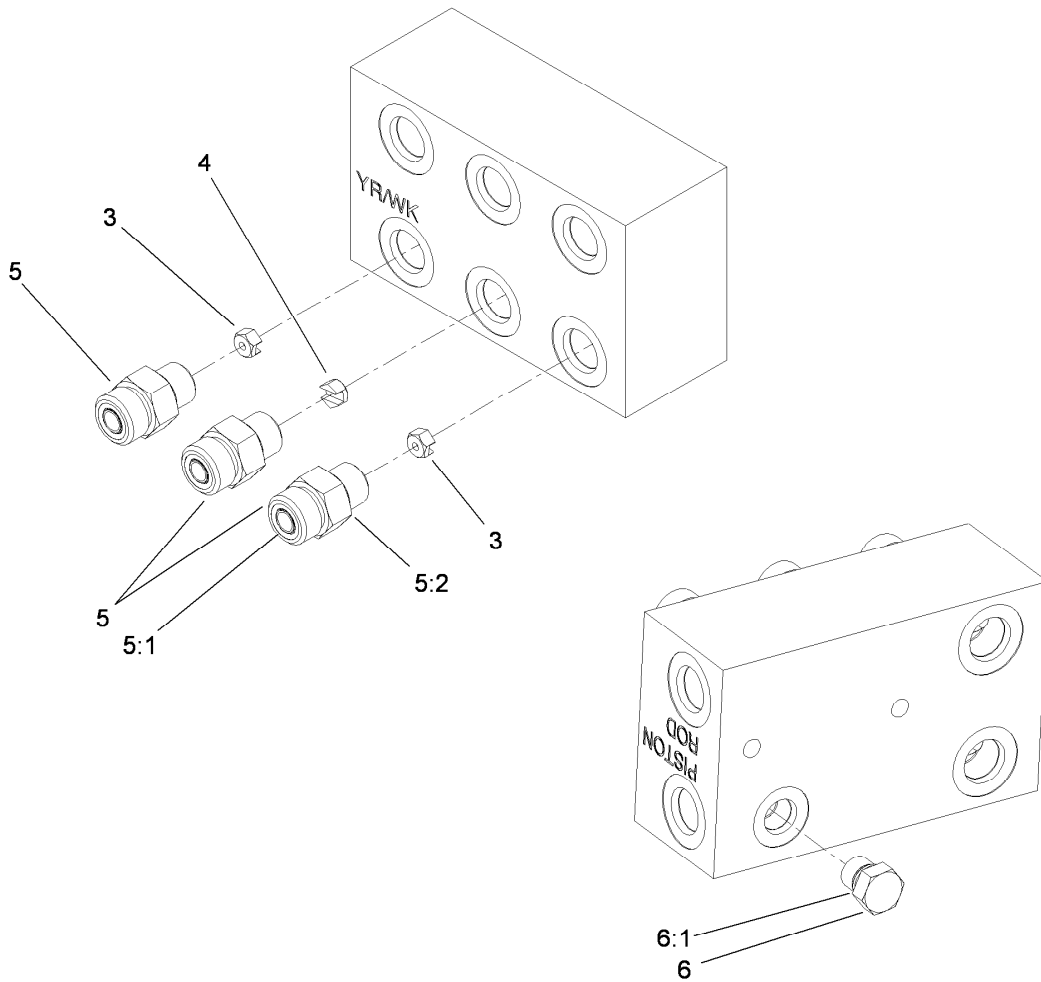
Ref.	Part Number	Qty.	Description
3	110-0495	2	Orifice (.050)
4	110-0498	1	Orifice (.030)
5	117-0115	4	Plug-HYD
5:1	237-78	1	O-Ring
8	110-0468	1	Valve-Check, 5 Psi
8:1	110-0470	1	Seal Kit
9	110-0491	2	Valve-Directional
9:1	106-6775	1	Seal Kit
10	110-0496	1	Valve-Reducing, Pressure
10:1	105-9154	1	Seal Kit
11	112-9205	1	Valve-Relief
11:1	105-9159	1	Seal Kit
12	110-0494	1	Valve-Solenoid
12:1	110-8773	1	Seal Kit
12:2	110-2634	1	Nut-Coil
13	110-0497	1	Coil-Solenoid



## Junction Manifold Assembly No. 117-2394

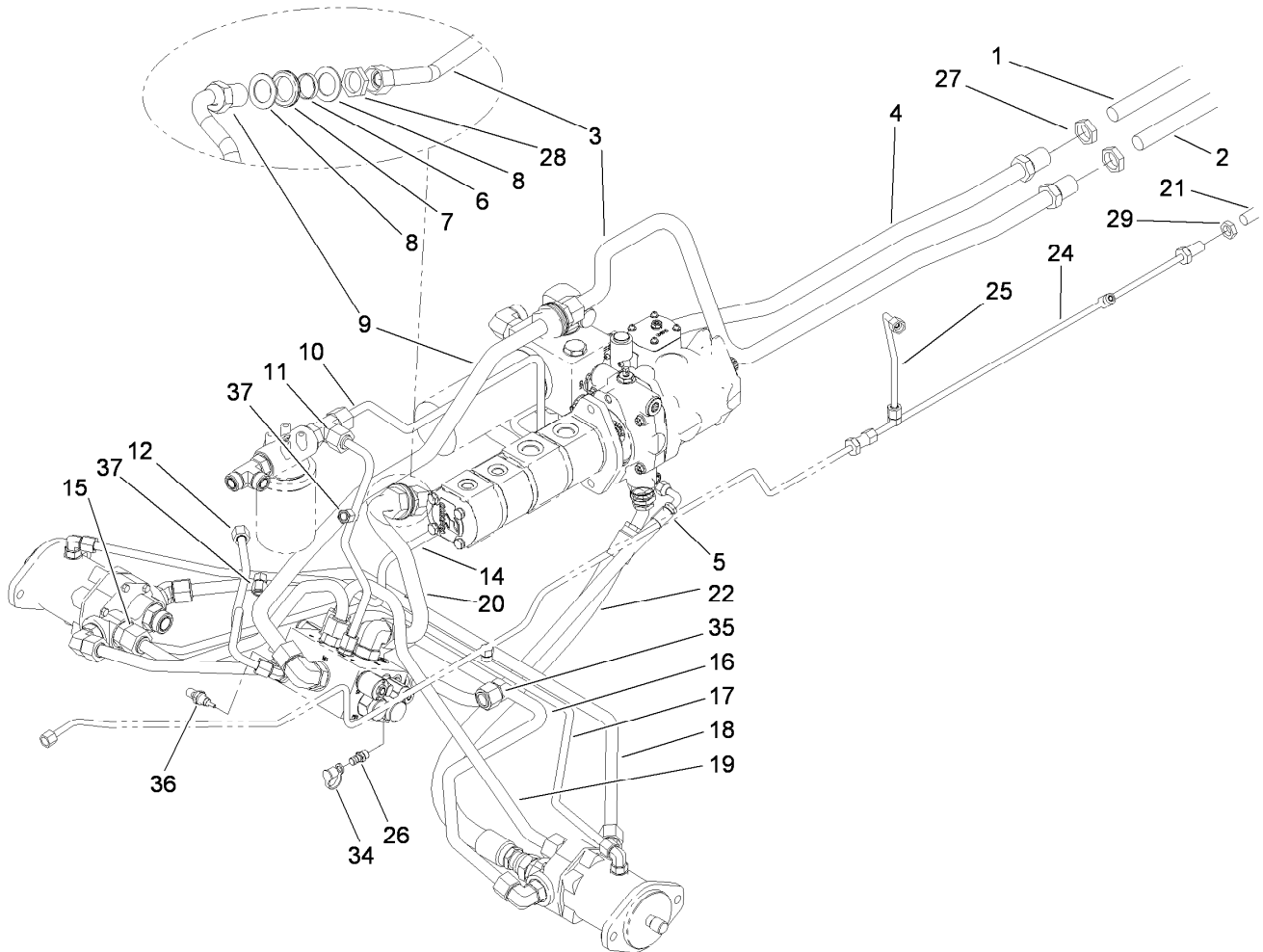
<i>Ref.</i>	<i>Part Number</i>	<i>Qty.</i>	<i>Description</i>
1		1	Manifold-Junction ●
2	340-2	3	Fitting-HYD, Straight
2:1	237-22	1	O-Ring
2:2	237-42	1	O-Ring
3	340-77	1	Fitting-HYD, 90 DEG
3:1	237-22	1	O-Ring
3:2	237-42	1	O-Ring

● Not serviced separately



## Junction Manifold Assembly

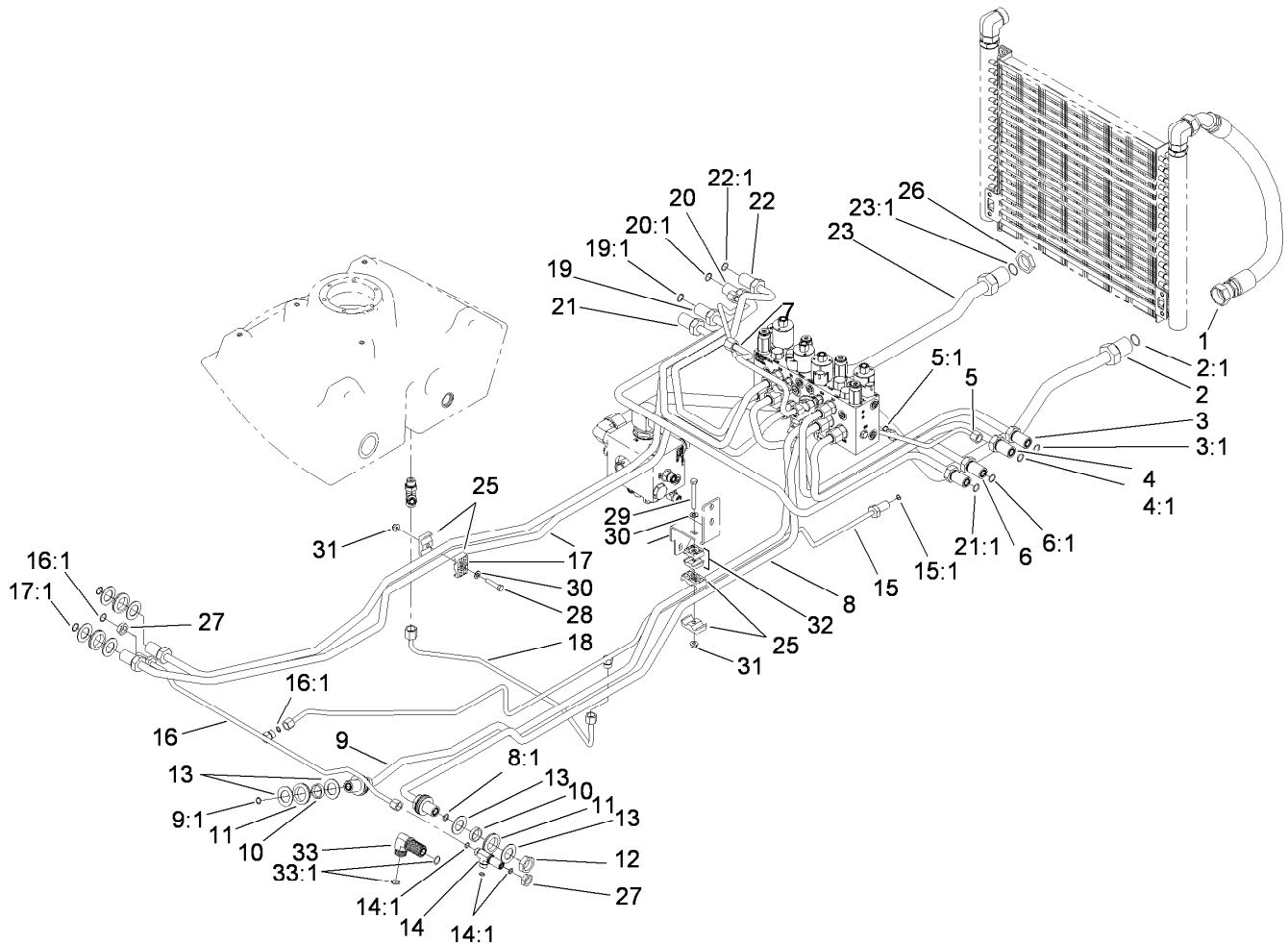
<i>Ref.</i>	<i>Part Number</i>	<i>Qty.</i>	<i>Description</i>
3	119-2009	2	Orifice-Flow Control (0.030)
4	119-2010	1	Orifice-Flow Control (0.055)
5	340-2	3	Fitting-HYD, Straight
5:1	237-22	1	O-Ring
5:2	237-42	1	O-Ring
6	117-0115	1	Plug-HYD
6:1	237-78	1	O-Ring



## Traction Hydraulic Lines Assembly

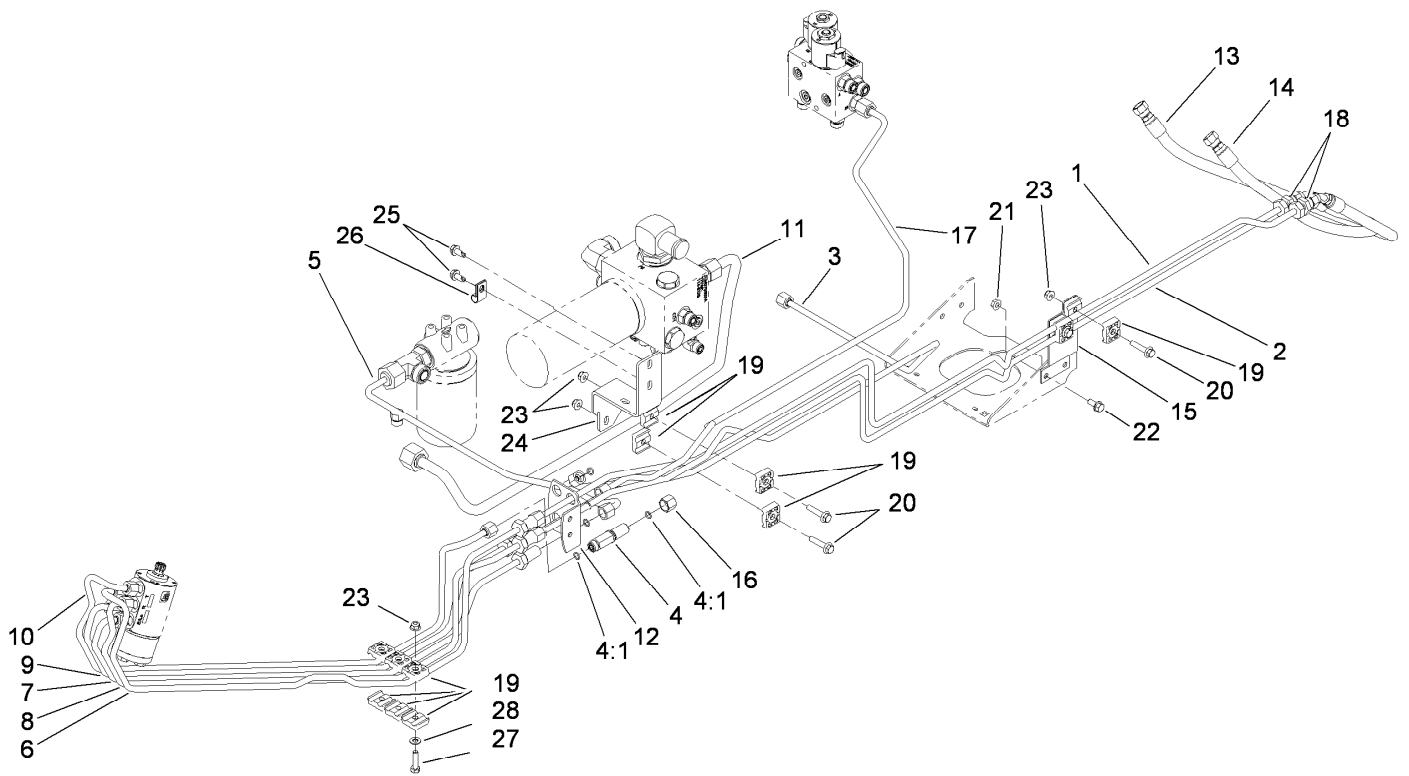
<i>Ref.</i>	<i>Part Number</i>	<i>Qty.</i>	<i>Description</i>	<i>Ref.</i>	<i>Part Number</i>	<i>Qty.</i>	<i>Description</i>
1	92-7536	1	Hose ASM	19	114-8146	1	Tube-HYD
2	105-9818	1	Hose ASM	20	114-8147	1	Tube-HYD
3	114-8118	1	Tube-HYD	21	92-7534	1	Hose ASM
3:1	237-58	1	O-Ring ●	22	104-5464	2	Hose ASM
4	115-4431	1	Tube-HYD	24	114-4194	1	Tube-HYD
5	117-2350	1	Hose ASM	24:1	237-22	3	O-Ring ●
6	69-8950	2	Spacer	25	115-9124	1	Tube-HYD
7	240-2	2	Grommet-Rubber	26	59-7410	2	Tip-Nipple, Diagnostic
8	69-8920	4	Washer	26:1	237-42	1	O-Ring ●
9	114-8149	1	Tube-HYD	27	340-126	2	Nut-Bulkhead
10	115-4426	1	Tube-HYD	28	340-128	2	Nut-Bulkhead
11	114-8148	1	Tube-HYD	29	340-70	1	Nut-Lock
12	115-4351	1	Tube-HYD	34	354-79	2	Cap-Dust
14	115-4427	1	Tube-HYD	35	95-0979	1	Cap-Ors
15	114-8145	1	Tube-HYD	36	110-8829	1	Sender-Temperature
16	115-9113	1	Tube-HYD	36:1	237-42	1	O-Ring ●
17	115-9126	1	Tube-HYD	37	340-117	2	Cap
18	104-5462	1	Tube ASM				

● Not illustrated



## Mow Hydraulic Line Assembly

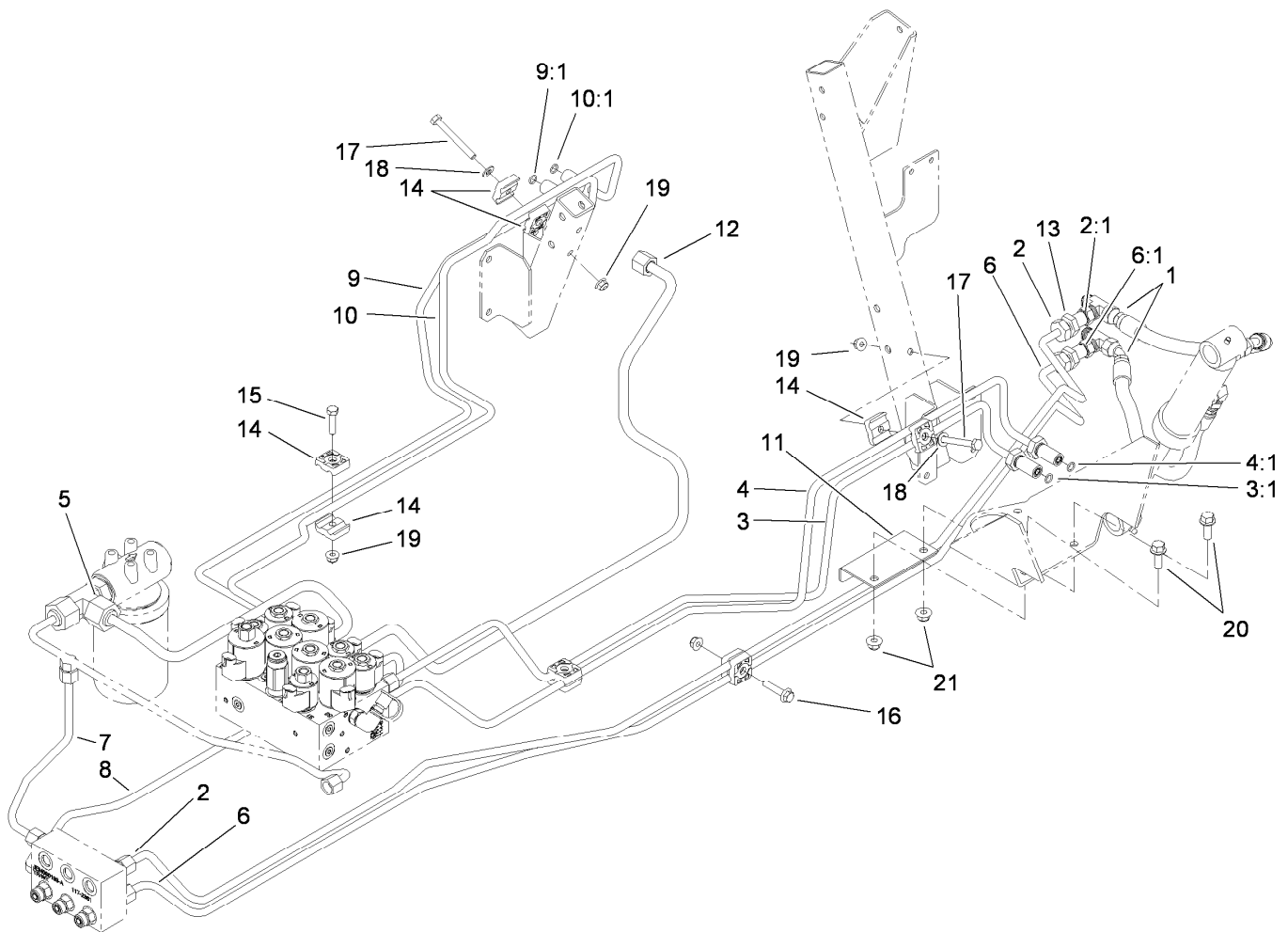
Ref.	Part Number	Qty.	Description	Ref.	Part Number	Qty.	Description
1	104-5483	2	Hose ASM	16:1	237-22	2	O-Ring
2	115-4378	1	Tube-HYD	17	115-4374	1	Tube-HYD
2:1	340-65	1	O-Ring	17:1	237-65	1	O-Ring
3	115-4372	1	Tube-HYD	18	115-9127	1	Tube-HYD
3:1	237-65	1	O-Ring	19	105-3901	1	Tube ASM
4	115-4373	1	Tube-HYD	19:1	237-65	2	O-Ring
4:1	237-65	1	O-Ring	20	115-4376	1	Tube-HYD
5	115-9125	1	Tube-HYD	20:1	237-65	1	O-Ring
5:1	237-22	1	O-Ring	21	105-3900	1	Tube ASM
6	115-4375	1	Tube-HYD	21:1	237-65	2	O-Ring
6:1	237-65	1	O-Ring	22	115-4377	1	Tube-HYD
7	115-4398	1	Tube-HYD	22:1	237-65	1	O-Ring
8	115-4371	1	Tube-HYD	23	115-4424	1	Tube-HYD
8:1	237-65	1	O-Ring	23:1	340-65	1	O-Ring
9	115-4370	1	Tube-HYD	25	56-7971	4	Clamp-Tube
9:1	237-65	1	O-Ring	26	340-128	2	Nut-Bulkhead
10	69-9000	13	Spacer	27	340-70	4	Nut-Lock
11	240-3	13	Grommet-Rubber	28	322-8	1	Screw-HH
12	340-74	13	Nut-Lock, Bulkhead	29	322-13	1	Screw-HH
13	69-9010	26	Washer	30	3256-23	2	Washer-Flat
14	340-68	3	Fitting-Tee, Bulkhead	31	104-8300	2	Nut-Flange, NI
14:1	237-22	3	O-Ring	32	56-7973	2	Clamp-Tube
15	115-4433	1	Tube-HYD	33	340-72	1	Fitting-Bulkhead, 90 DEG
15:1	237-22	2	O-Ring	33:1	237-65	2	O-Ring
16	115-9139	1	Tube-HYD				



## Hydraulic Steering Assembly

Ref.	Part Number	Qty.	Description	Ref.	Part Number	Qty.	Description
1	105-3871	1	Tube ASM	11	115-4425	1	Tube-HYD
1:1	237-22	1	O-Ring ●	12	92-7606-03	1	Bracket-Bulkhead
2	115-9128	1	Tube-HYD	13	105-9817	1	Hose ASM
2:1	237-22	1	O-Ring ●	14	92-7539	1	Hose ASM
3	115-4428	1	Tube-HYD	15	105-3873-03	1	Bracket-Mount, Clamp
4	340-68	1	Fitting-Tee, Bulkhead	16	340-117	1	Cap
4:1	237-22	3	O-Ring	17	115-4422	1	Tube-HYD
5	115-4412	1	Tube-HYD	18	340-70	7	Nut-Lock
5:1	237-22	1	O-Ring ●	19	56-7973	14	Clamp-Tube
6	115-4408	1	Tube-HYD	20	115-1794	4	Screw-HHF
6:1	237-22	1	O-Ring ●	21	32128-20	2	Nut-HF
7	115-4406	1	Tube-HYD	22	3234-5	2	Screw-HHF
7:1	237-22	1	O-Ring ●	23	104-8300	7	Nut-Flange, NI
8	115-4409	1	Tube-HYD	24	105-3993-03	1	Bracket-Support, Tube
8:1	237-22	1	O-Ring ●	25	32104-32	4	Screw-HWH
9	115-4405	1	Tube-HYD	26	2412-138	1	R-Clamp
9:1	237-22	1	O-Ring ●	27	322-6	3	Screw-HH
10	115-4407	1	Tube-HYD	28	3256-23	3	Washer-Flat

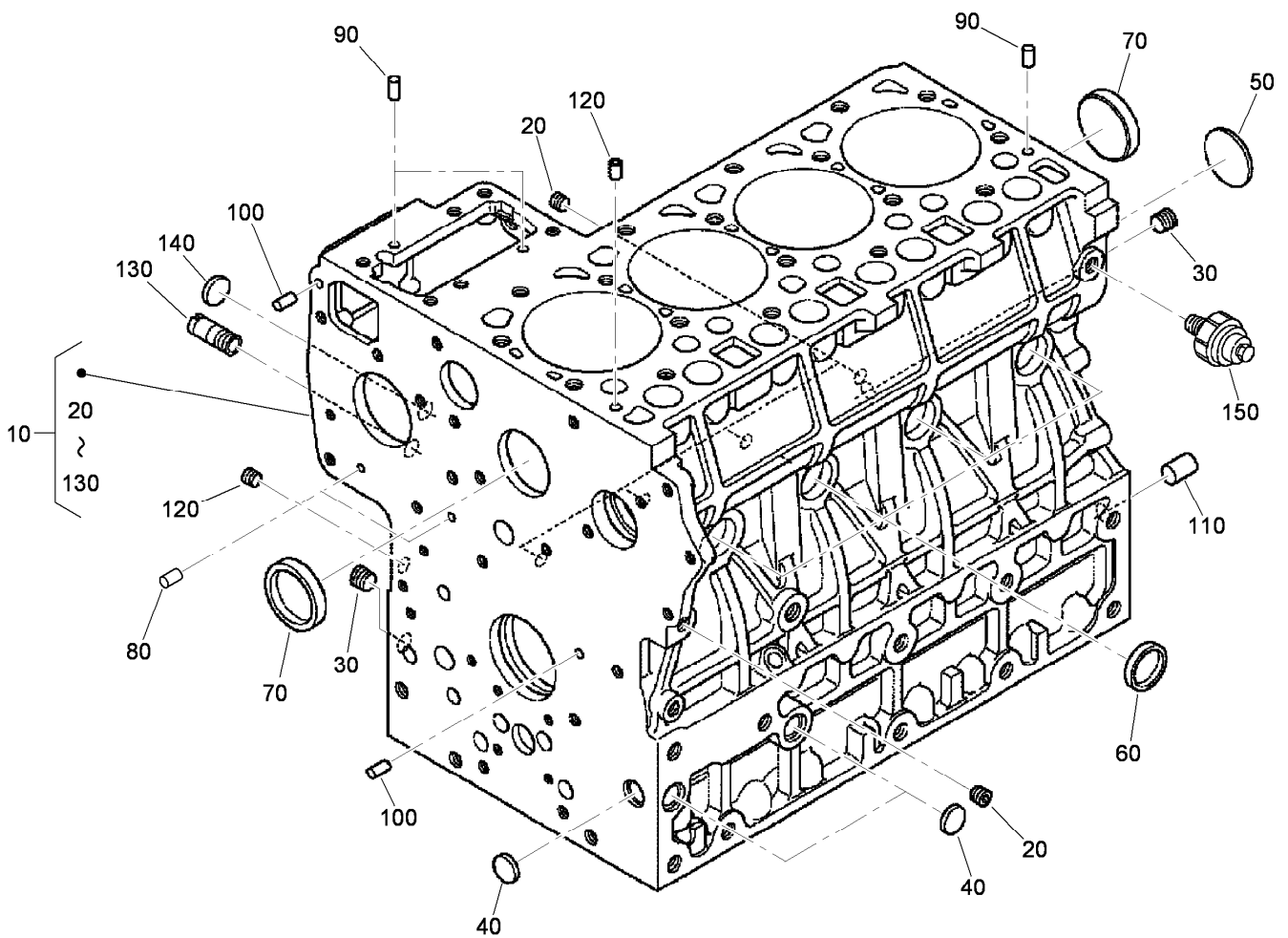
● Not illustrated



## Lift Cylinder Line Assembly

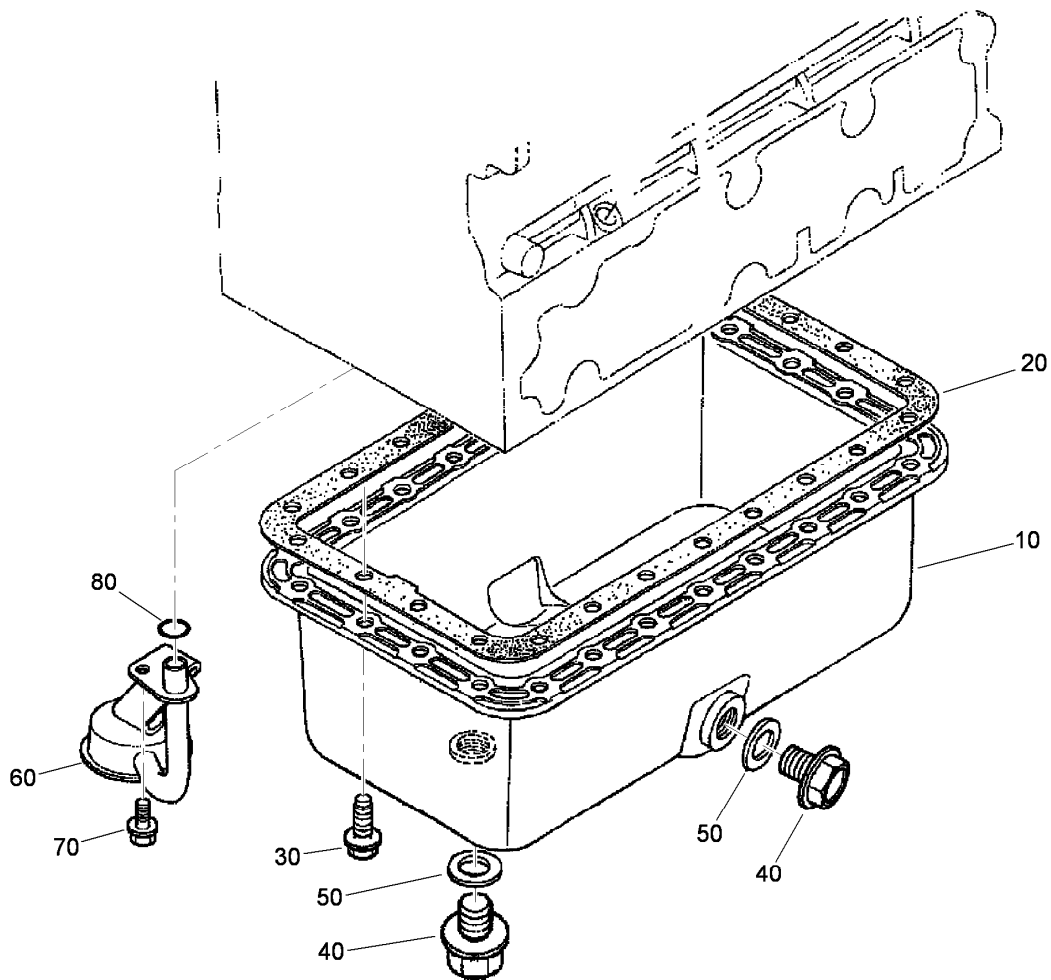
<i>Ref.</i>	<i>Part Number</i>	<i>Qty.</i>	<i>Description</i>
1	105-9238	4	Hose ASM
2	105-3988	1	Tube ASM
2:1	237-22	1	O-Ring
3	114-8140	1	Tube-HYD
3:1	237-22	1	O-Ring
4	114-8141	1	Tube-HYD
4:1	237-22	1	O-Ring
5	114-8143	1	Tube-HYD
6	105-3989	1	Tube ASM
6:1	237-22	1	O-Ring
7	115-9121	1	Tube-HYD
8	114-8142	1	Tube-HYD
9	114-8138	1	Tube-HYD
9:1	237-22	1	O-Ring

<i>Ref.</i>	<i>Part Number</i>	<i>Qty.</i>	<i>Description</i>
10	114-8139	1	Tube-HYD
10:1	237-22	1	O-Ring
11	105-3990-03	1	Bracket-Support, Tube
12	114-8144	1	Tube-HYD
13	340-70	6	Nut-Lock
14	56-7973	12	Clamp-Tube
15	322-6	2	Screw-HH
16	115-1794	2	Screw-HHF
17	322-13	2	Screw-HH
18	3256-23	4	Washer-Flat
19	104-8300	6	Nut-Flange, NI
20	3234-11	2	Screw-HHF
21	104-8301	2	Nut-Flange, NI



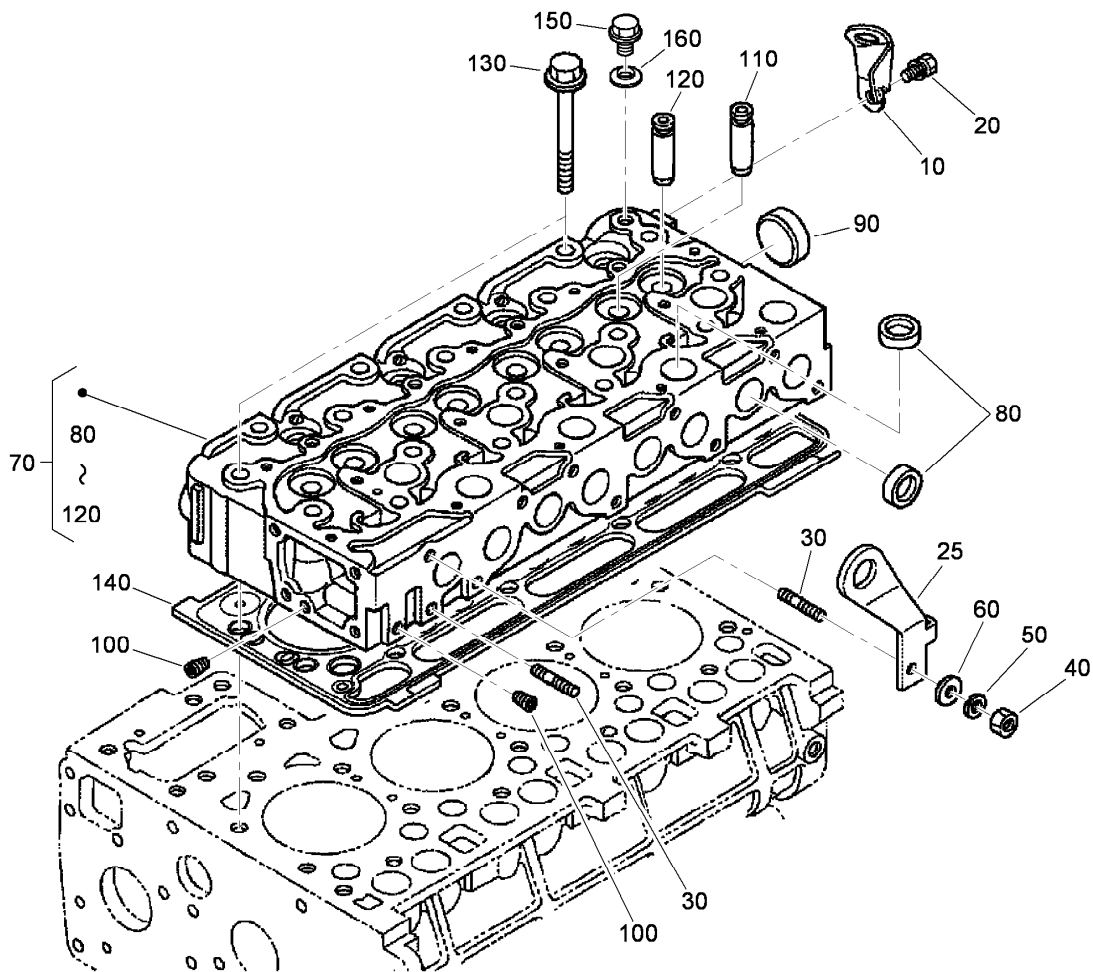
## Crankcase Assembly

<i>Ref.</i>	<i>Part Number</i>	<i>Qty.</i>	<i>Description</i>
10	115-8500	1	Crankcase ASM
20	98-7487	2	Plug
30	107-0107	6	Plug
40	98-9379	2	Plug-Expansion
50	98-9668	3	Plug-Expansion
60	98-7500	6	Cap-Sealing
70	98-7501	2	Cap-Sealing
80	98-7502	2	Pin-Straight
90	98-7503	2	Pin-Straight
100	98-7504	2	Pin-Straight
110	98-7505	1	Pin-Straight
120	98-7506	1	Pin-Pipe
130	100-9153	1	Pipe-Return, Water
140	100-2020	1	Cap-Sealing
150	98-9416	1	Switch-Oil



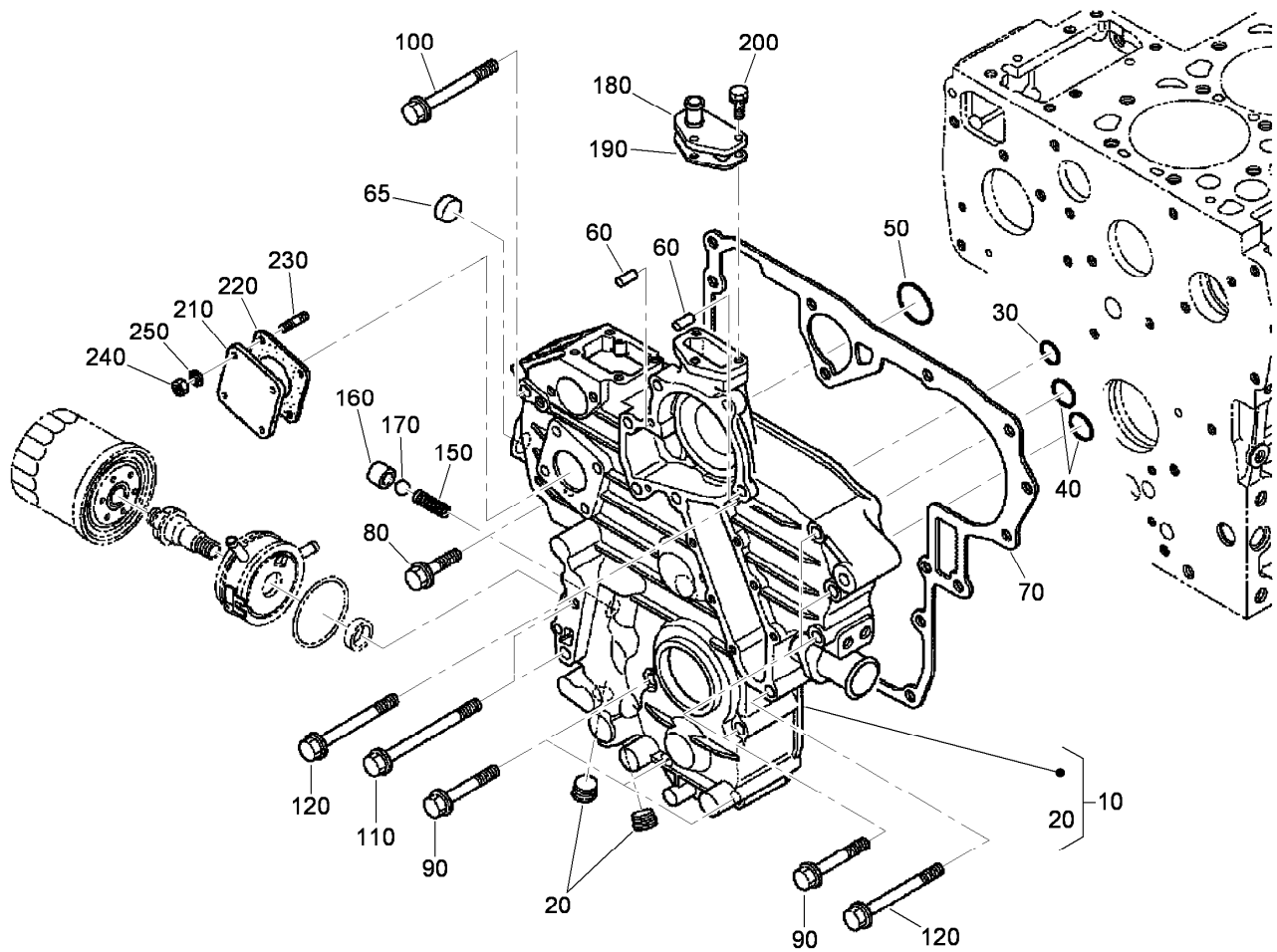
## Oil Pan Assembly

<i>Ref.</i>	<i>Part Number</i>	<i>Qty.</i>	<i>Description</i>
10	115-8501	1	Oil Pan ASM
20	108-7053	1	Gasket-Pan, Oil
30	115-8502	24	Bolt-Flange
40	98-9686	2	Plug-Drain
50	98-9399	2	Gasket
60	115-8503	1	Filter-Oil
70	115-8504	1	Bolt-Flange
80	108-7054	1	O-Ring



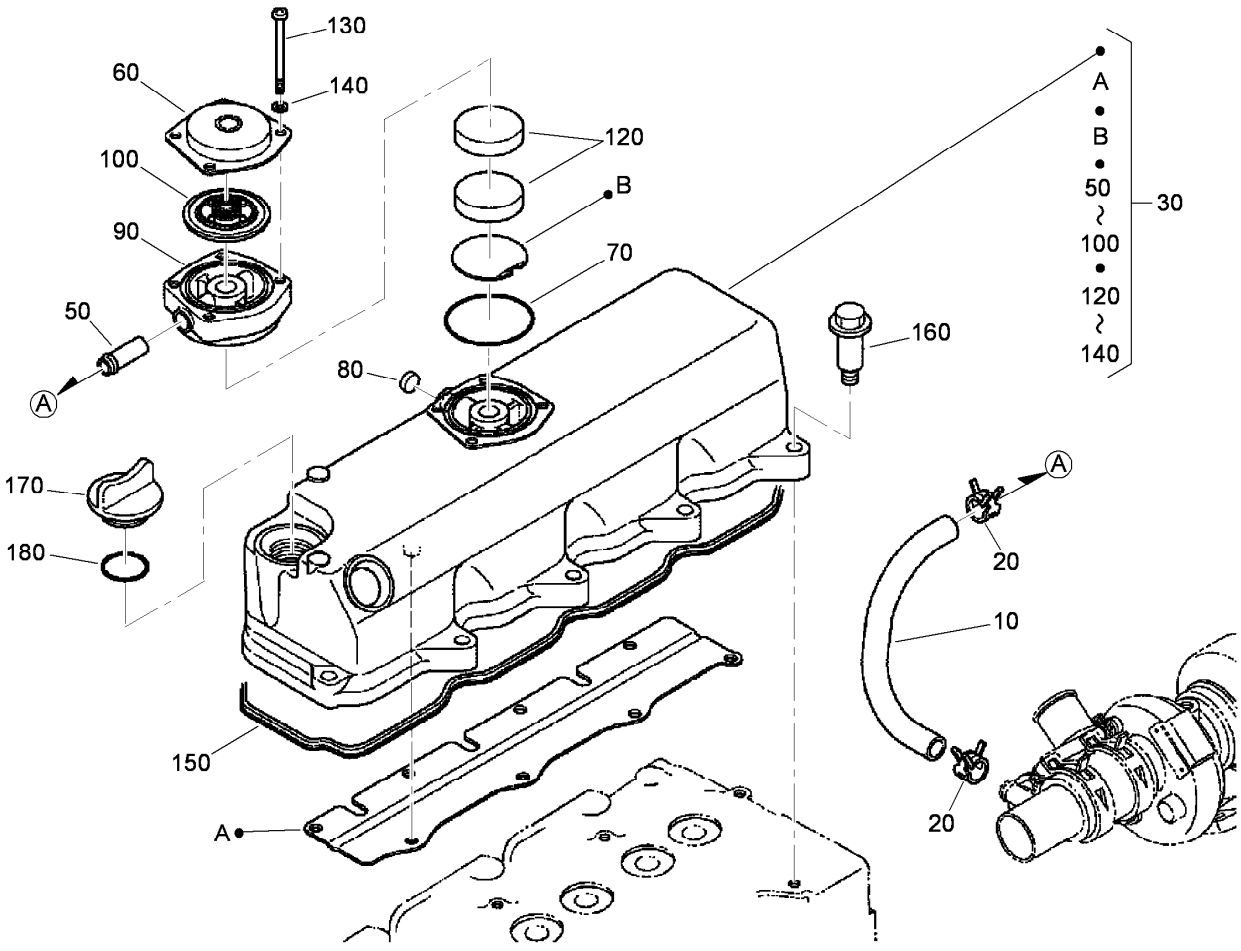
## Cylinder Head Assembly

<i>Ref.</i>	<i>Part Number</i>	<i>Qty.</i>	<i>Description</i>
10	98-7530	1	Hook-Engine
20	98-7526	1	Bolt
25	115-8505	1	Hook
30	115-8506	2	Stud
40	98-7534	1	Nut
50	105-2893	1	Washer-Spring
60	98-7536	1	Washer-Plain
70	115-8507	1	Head-Cylinder
80	98-7538	12	Cap-Sealing
90	98-7539	1	Cap-Sealing
100	98-7540	2	Plug
110	98-7541	4	Guide-Valve, Intake
120	115-8508	4	Guide-Valve, Exhaust
130	98-7543	18	Bolt-Head, Cylinder
140	115-8647	1	Gasket-Head, Cylinder (1.15Mm)
140	115-8510	1	Gasket-Head, Cylinder (1.25Mm)
140	115-8511	1	Gasket-Head, Cylinder (1.30Mm)
140	115-8512	1	Gasket-Head, Cylinder (1.35Mm)
150	115-8509	1	Gasket-Head, Cylinder (1.20Mm)
150	98-7762	1	Plug
160	98-7763	1	Washer-W/Rubber



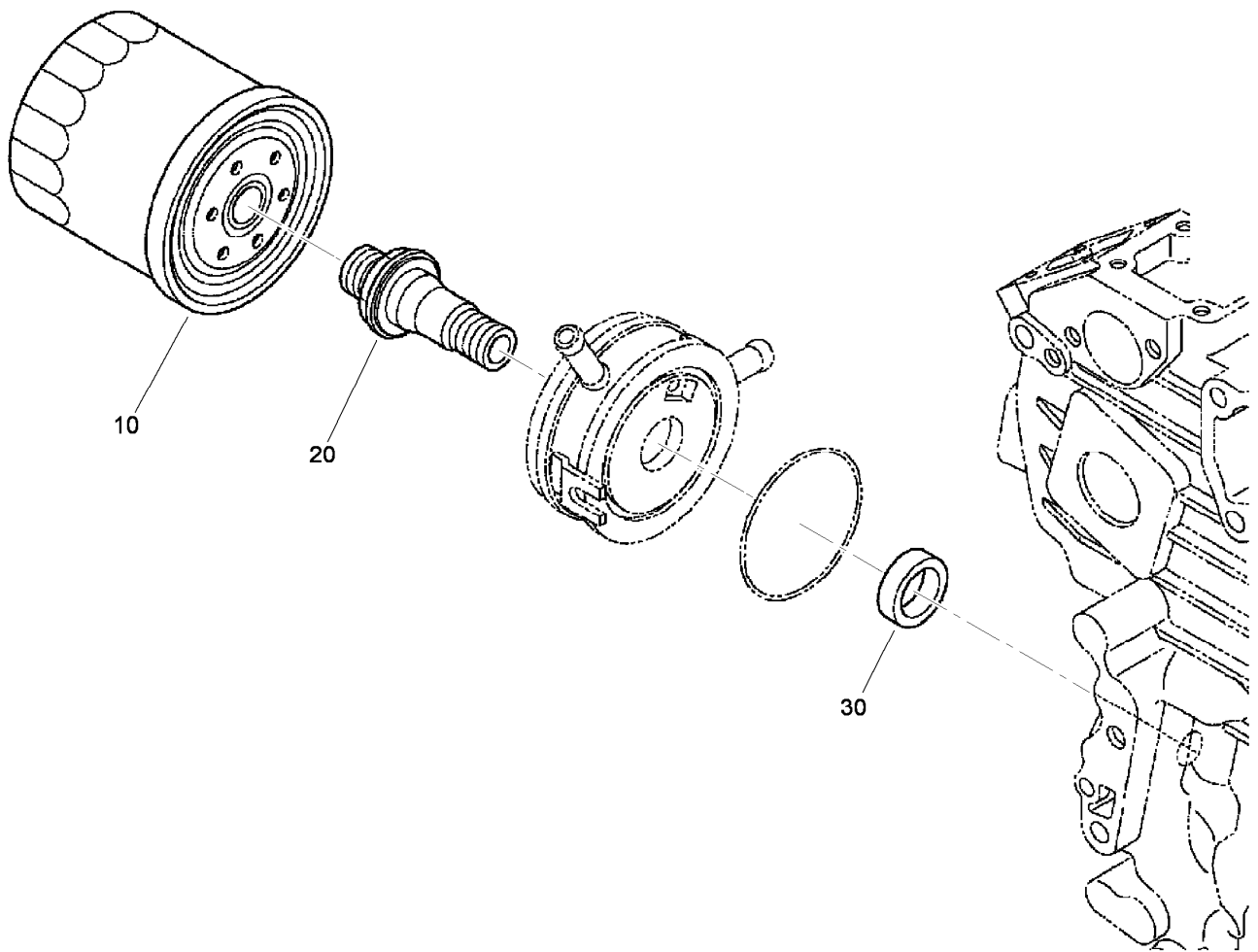
## Gear Case Assembly

<i>Ref.</i>	<i>Part Number</i>	<i>Qty.</i>	<i>Description</i>
10	115-8513	1	Gear Case ASM
20	98-9598	2	Plug
30	107-0104	1	O-Ring
40	115-8514	2	O-Ring
50	107-0106	1	O-Ring
60	98-7504	2	Pin-Straight
65	115-8515	1	Cap-Sealing
70	115-8516	1	Gasket-Case, Gear
80	108-7085	1	Bolt-Flange
90	115-8517	7	Bolt-Flange
100	115-8518	1	Bolt-Flange
110	115-8519	2	Bolt-Flange
120	115-8520	4	Bolt-Flange
150	98-7563	1	Spring
160	98-7564	1	Seat-Valve
170	98-7565	1	Ball
180	98-7566	1	Flange-Return, Water
190	115-8521	1	Gasket-Flange, Return
200	98-7568	3	Bolt
210	98-7569	1	Cover
220	115-8522	1	Gasket-Meter, Hour
230	98-7571	4	Stud
240	98-7572	4	Nut
250	98-9367	4	Washer-Spring



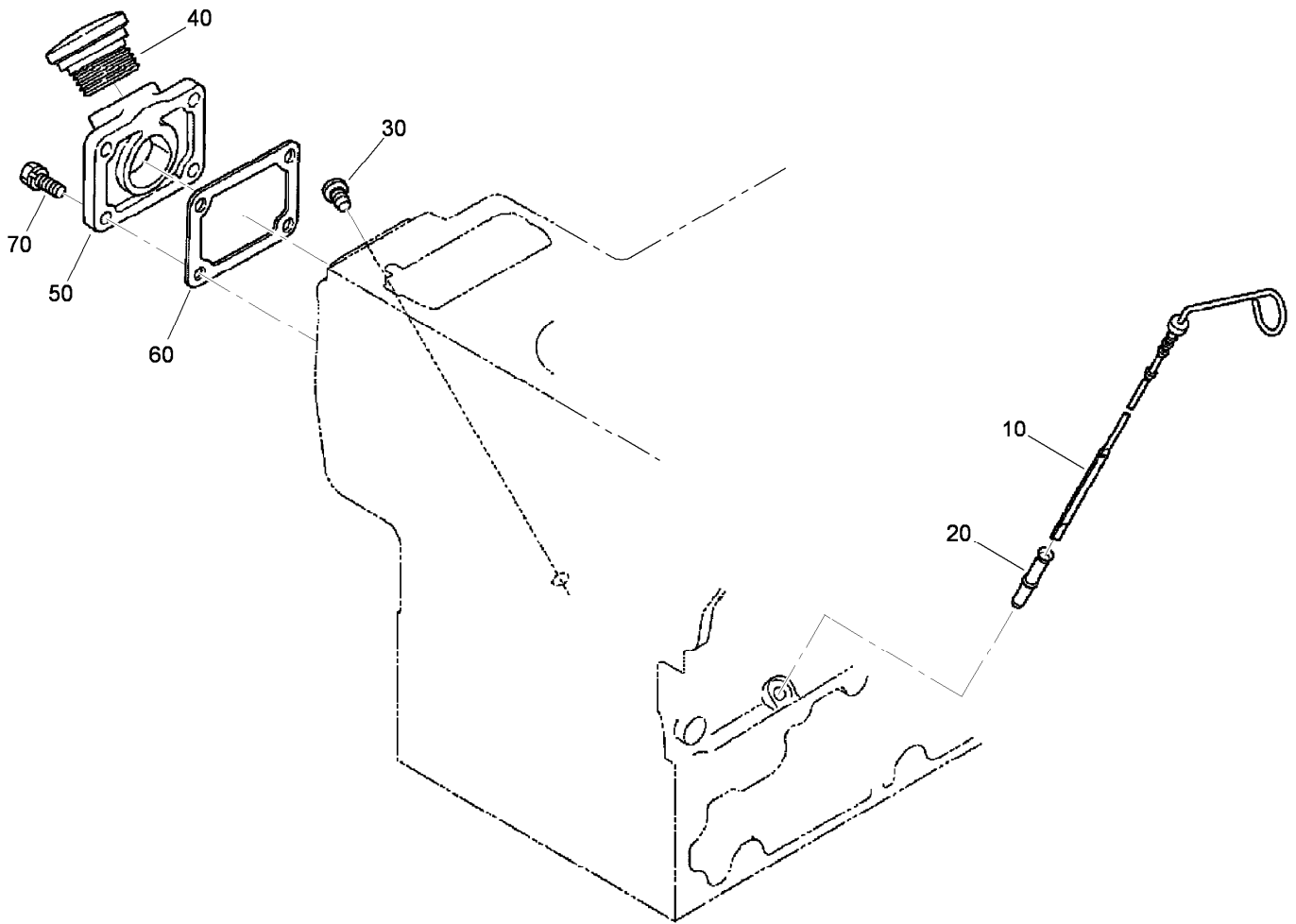
## Cylinder Head Cover Assembly

<i>Ref.</i>	<i>Part Number</i>	<i>Qty.</i>	<i>Description</i>
10	115-8523	1	Tube-Breather, Turbo
20	115-8524	2	Clamp-Hose
30	115-8525	1	Cylinder Head Cover ASM
50	98-7766	1	Pipe-Return, Water
60	110-3714	1	Cover-Breather
70	108-7061	1	O Ring-Breather
80	115-3042	1	Cap-Sealing
90	115-8526	1	Spacer-Breather
100	110-3715	1	Valve-Breather
120	98-9493	2	Element-Breather
130	115-3044	4	Screw-Pan Head
140	100-2204	4	Washer-Spring
150	108-7062	1	Gasket-Cover, Head
160	108-7063	10	Bolt
170	98-9449	1	Plug-Filler, Oil
180	108-7064	1	O-Ring



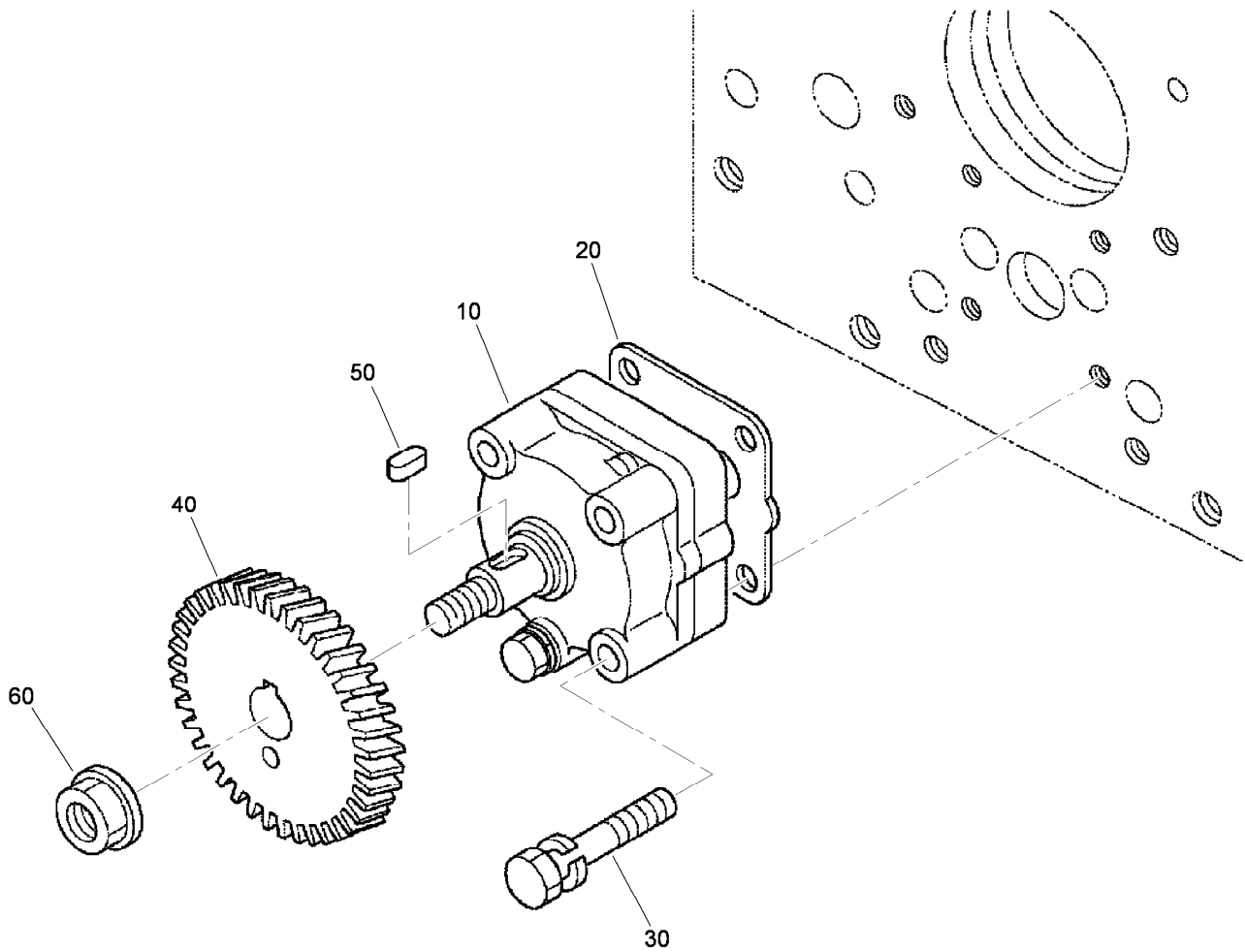
## Oil Filter Assembly

<i>Ref.</i>	<i>Part Number</i>	<i>Qty.</i>	<i>Description</i>
10	115-8527	1	Cartridge-Filter, Oil
20	115-8528	1	Connector
30	115-8529	1	Collar



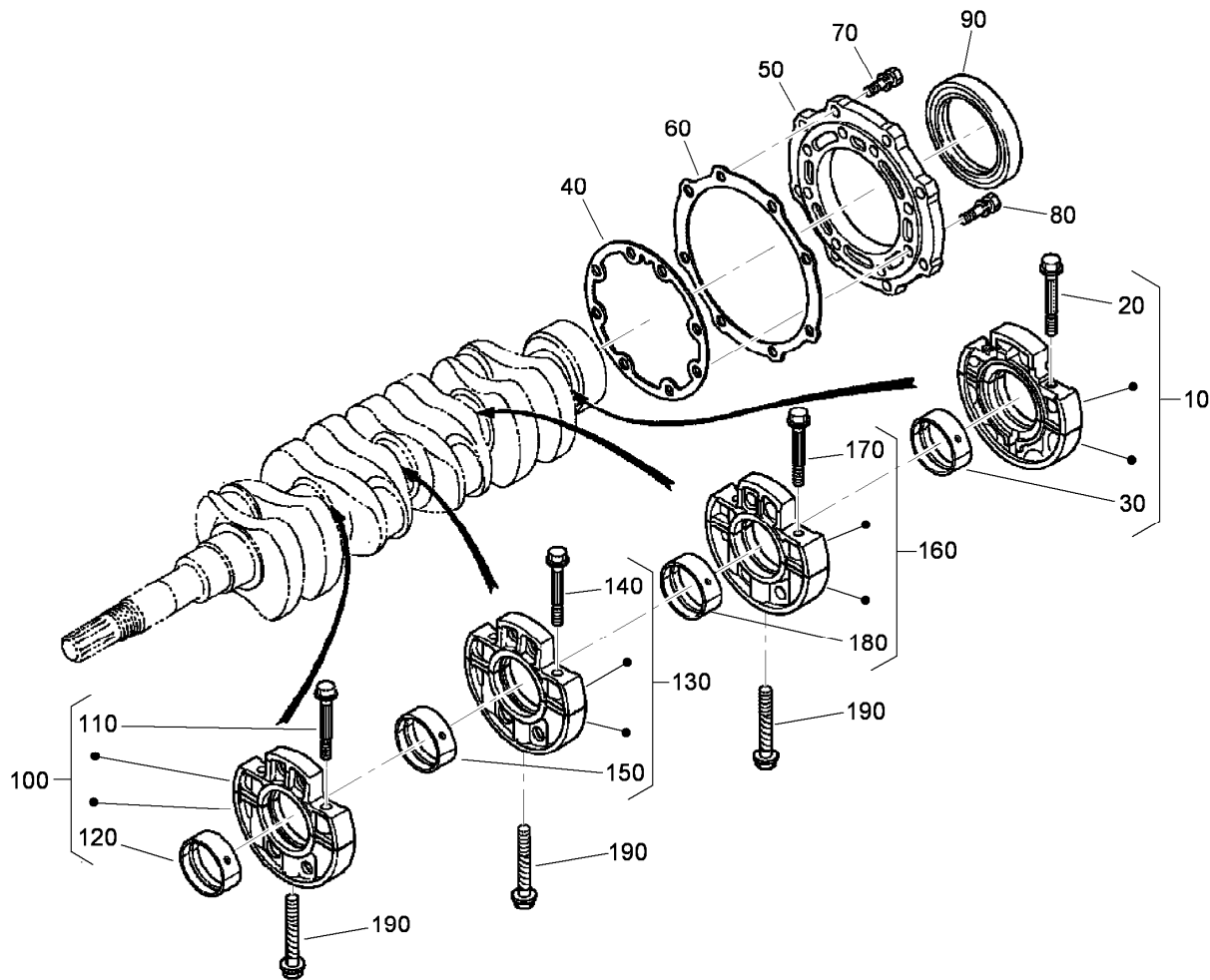
## Dipstick and Guide Assembly

<i>Ref.</i>	<i>Part Number</i>	<i>Qty.</i>	<i>Description</i>
10	115-8530	1	Gauge-Oil
20	105-4580	1	Guide-Gauge, Oil
30	110-3720	1	Plug-Gauge, Oil
40	115-8531	1	Plug-Filler, Oil
50	115-8532	1	Flange-Filler, Oil
60	98-7604	1	Gasket-Cover, Pump
70	98-7605	4	Bolt



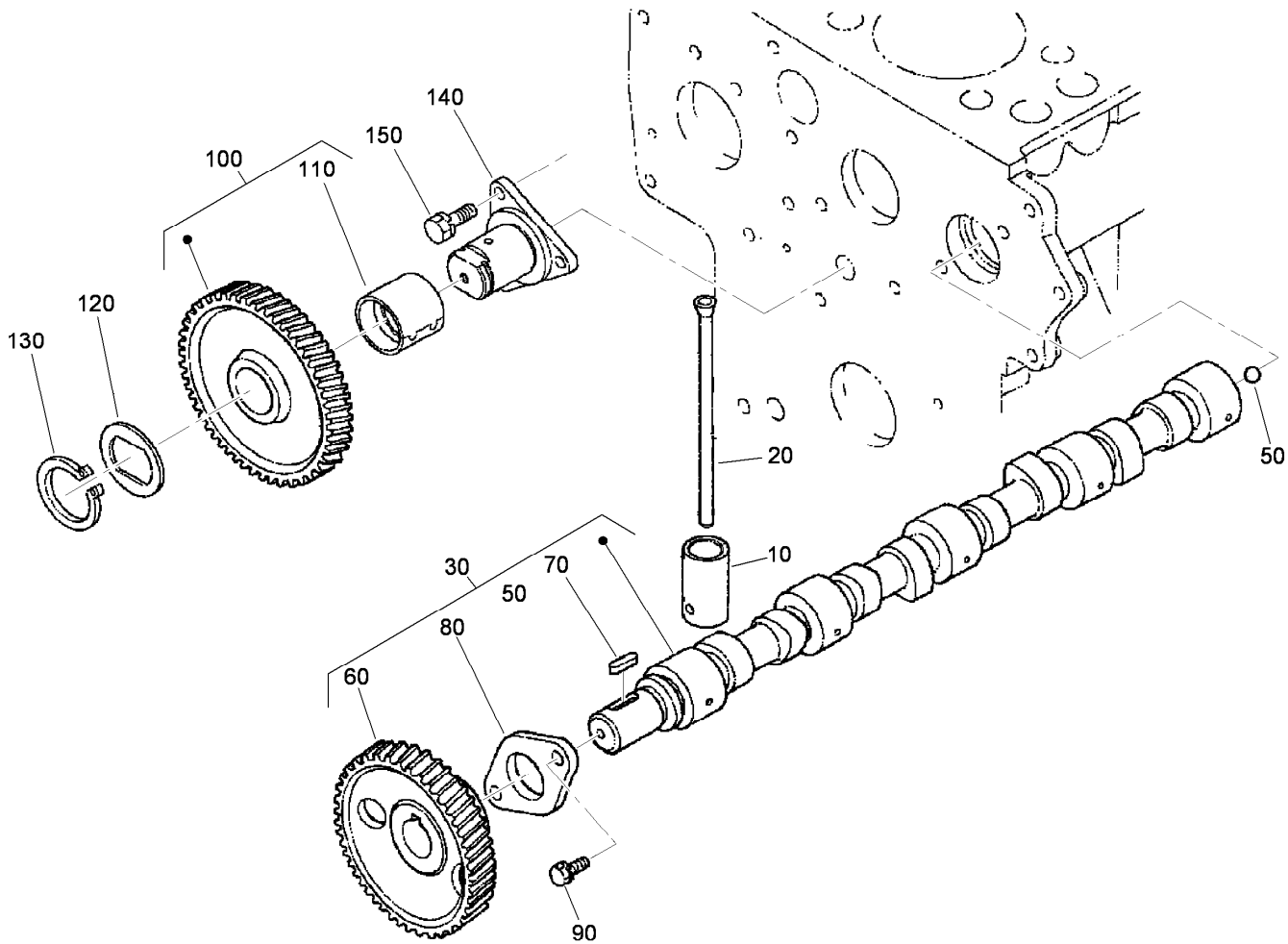
## Oil Pump Assembly

<i>Ref.</i>	<i>Part Number</i>	<i>Qty.</i>	<i>Description</i>
10	98-7512	1	Oil Pump ASM
20	98-7513	1	Gasket-Pump, Oil
30	105-3797	4	Bolt
40	115-8533	1	Gear-Drive, Oil Pump
50	98-7517	1	Key-Feather
60	98-7518	1	Nut-Flange



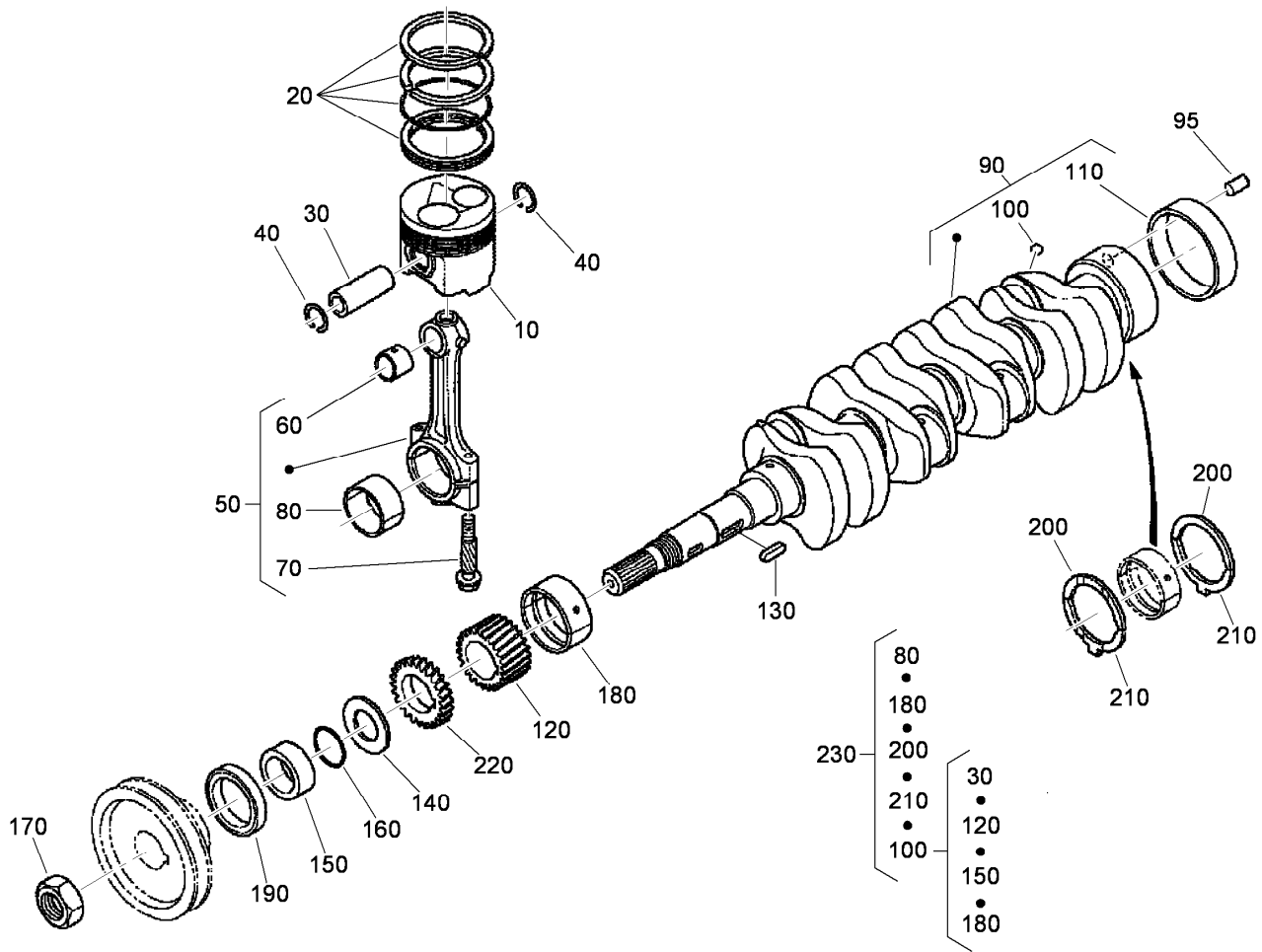
## Main Bearing Case Assembly

<i>Ref.</i>	<i>Part Number</i>	<i>Qty.</i>	<i>Description</i>	<i>Ref.</i>	<i>Part Number</i>	<i>Qty.</i>	<i>Description</i>
10	115-8534	1	Wheel Bearing Case ASM	120	108-7069	1	Metal-Crankshaft (-0.40Mm)
20	108-7066	2	Bolt-Case, Bearing	120	108-7068	1	Metal-Crankshaft (-0.20Mm)
30	108-7068	1	Metal-Crankshaft (-0.20Mm)	120	108-7067	1	Metal-Crankshaft (STD)
30	108-7067	1	Metal-Crankshaft (STD)	130	108-7074	1	Main Bearing Case ASM
30	108-7069	1	Metal-Crankshaft (-0.40Mm)	140	108-7066	2	Bolt-Case, Bearing
40	108-7070	1	Gasket-Case, Bearing	150	108-7069	1	Metal-Crankshaft (-0.40Mm)
50	108-7071	1	Cover-Case, Bearing	150	108-7068	1	Metal-Crankshaft (-0.20Mm)
60	98-7437	1	Gasket-Case Cover, Bearing	150	108-7067	1	Metal-Crankshaft (STD)
70	98-7438	8	Bolt	160	115-8536	1	Main Bearing Case ASM
80	98-7439	8	Bolt	170	108-7066	2	Bolt-Case, Bearing
90	108-7072	1	Seal-Oil	180	108-7067	1	Metal-Crankshaft (STD)
100	115-8535	1	Main Bearing Case ASM	180	108-7068	1	Metal-Crankshaft (-0.20Mm)
110	108-7066	2	Bolt-Case, Bearing	180	108-7069	1	Metal-Crankshaft (-0.40Mm)
				190	98-7444	3	Bolt-Case, Bearing



## Cam Shaft and Idle Gear Assembly

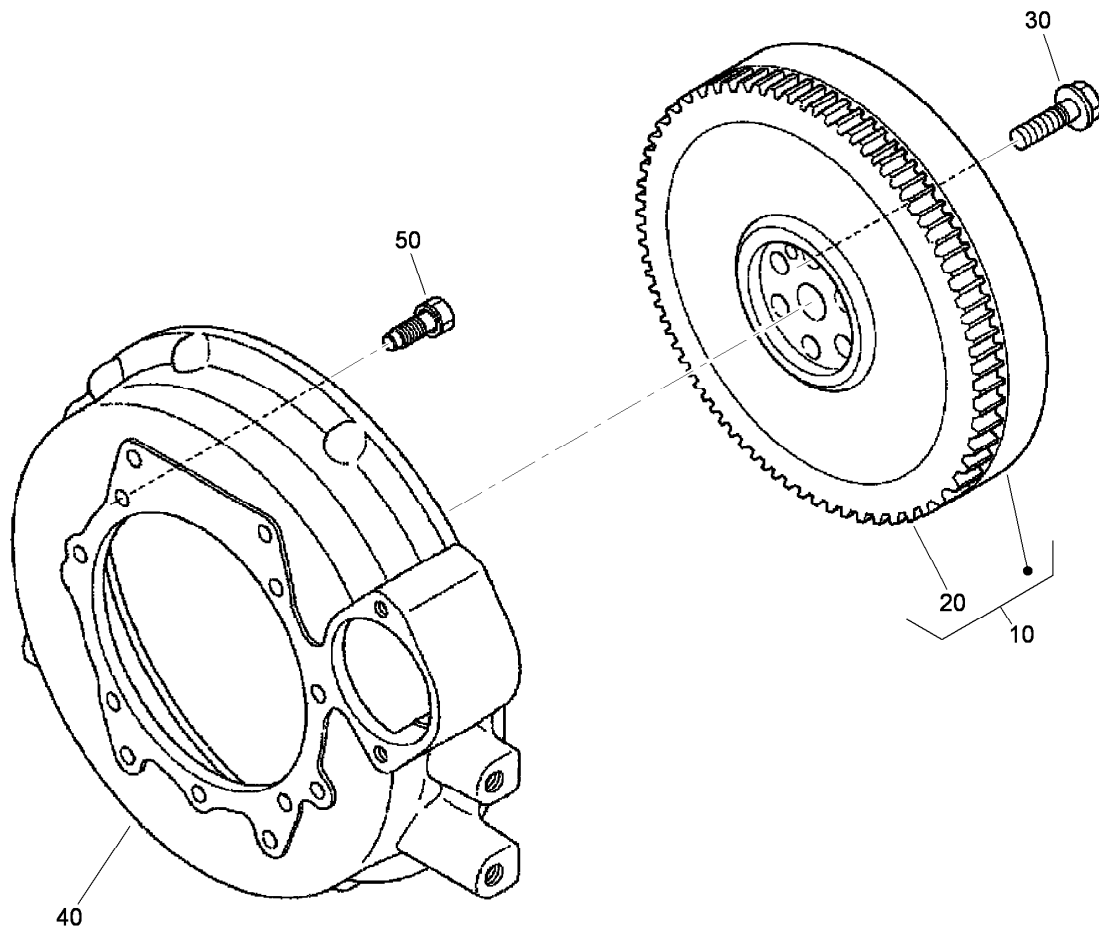
<i>Ref.</i>	<i>Part Number</i>	<i>Qty.</i>	<i>Description</i>
10	98-7445	8	Tappet
20	115-8537	8	Rod-Push
30	115-8538	1	Camshaft ASM
50	110-3729	1	Ball
60	115-8539	1	Gear-Cam
70	98-7451	1	Key-Feather
80	98-7452	1	Stopper-Camshaft
90	98-7453	2	Bolt
100	107-0109	1	Gear-Idler
110	107-0110	1	Bushing-Gear, Idler
120	107-0111	1	Collar
130	107-0112	1	Circlip-External
140	115-8646	1	Shaft-Gear, Idler
150	98-7453	3	Bolt



## Piston and Crankshaft Assembly

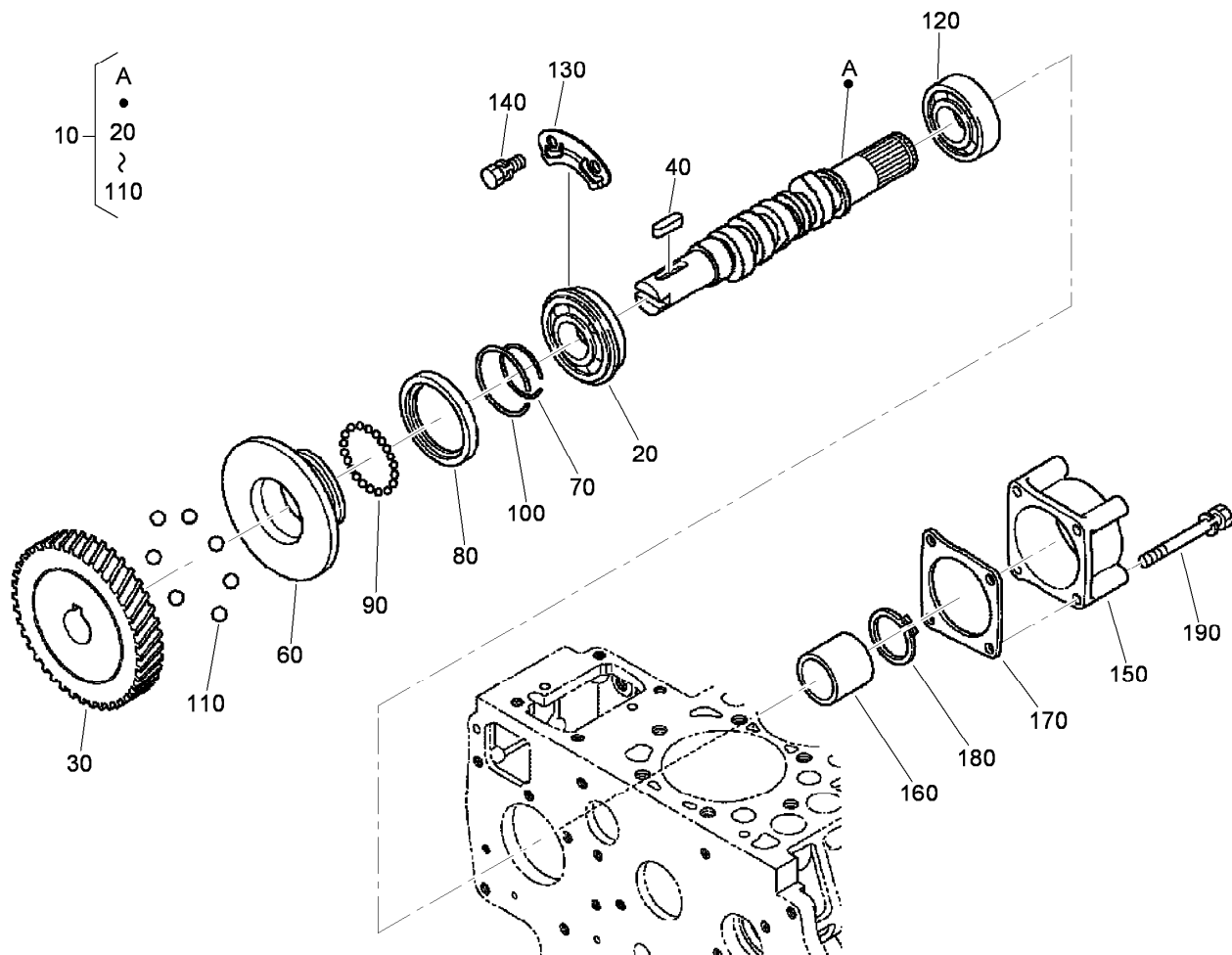
Ref.	Part Number	Qty.	Description
10	115-8540	4	Piston
10	115-8541	4	Piston
20	115-8543	1	Piston Ring ASM
20	115-8542	4	Piston Ring ASM
30	115-8544	4	Pin-Piston
40	112-7002	8	Circlip
50	115-8545	4	Connecting Rod ASM
60	115-8546	4	Bushing-Pin, Piston
70	98-7468	8	Bolt-Rod, Connecting
80	98-7469	4	Metal-Crankpin (STD)
80	115-8548	4	Metal-Crankpin (-0.40Mm)
80	115-8547	4	Metal-Crankpin (-0.20Mm)
90	115-8549	1	Crankshaft
95	115-8550	1	Pin-Straight
100	110-3729	4	Ball
110	98-7474	1	Sleeve-Crankshaft
120	115-8551	1	Gear-Crank
130	115-8552	1	Key-Feather
140	98-7476	1	Slinger-Oil

Ref.	Part Number	Qty.	Description
150	98-7477	1	Collar-Crankshaft
160	98-7478	1	O-Ring
170	98-7479	1	Nut-Crankshaft
180	108-7075	1	Metal-Crankshaft (STD)
180	108-7076	1	Metal-Crankshaft (-0.20Mm)
180	108-7077	1	Metal-Crankshaft (-0.40Mm)
190	98-7480	1	Seal-Oil
200	108-7078	2	Metal-Side (STD)
200	108-7079	2	Metal-Side (+0.20Mm)
200	108-7080	2	Metal-Side (+0.40Mm)
210	108-7081	2	Metal-Side (STD)
210	108-7082	2	Metal-Side (+0.20Mm)
210	108-7083	2	Metal-Side (+0.40Mm)
220	115-8553	1	Gear-Drive, Oil Pump
230	115-8554	1	Engine Metal Kit
230	115-8555	1	Engine Metal Kit (-0.20Mm/+0.20Mm)
230	115-8556	1	Engine Metal Kit (-0.40Mm/+0.40Mm)



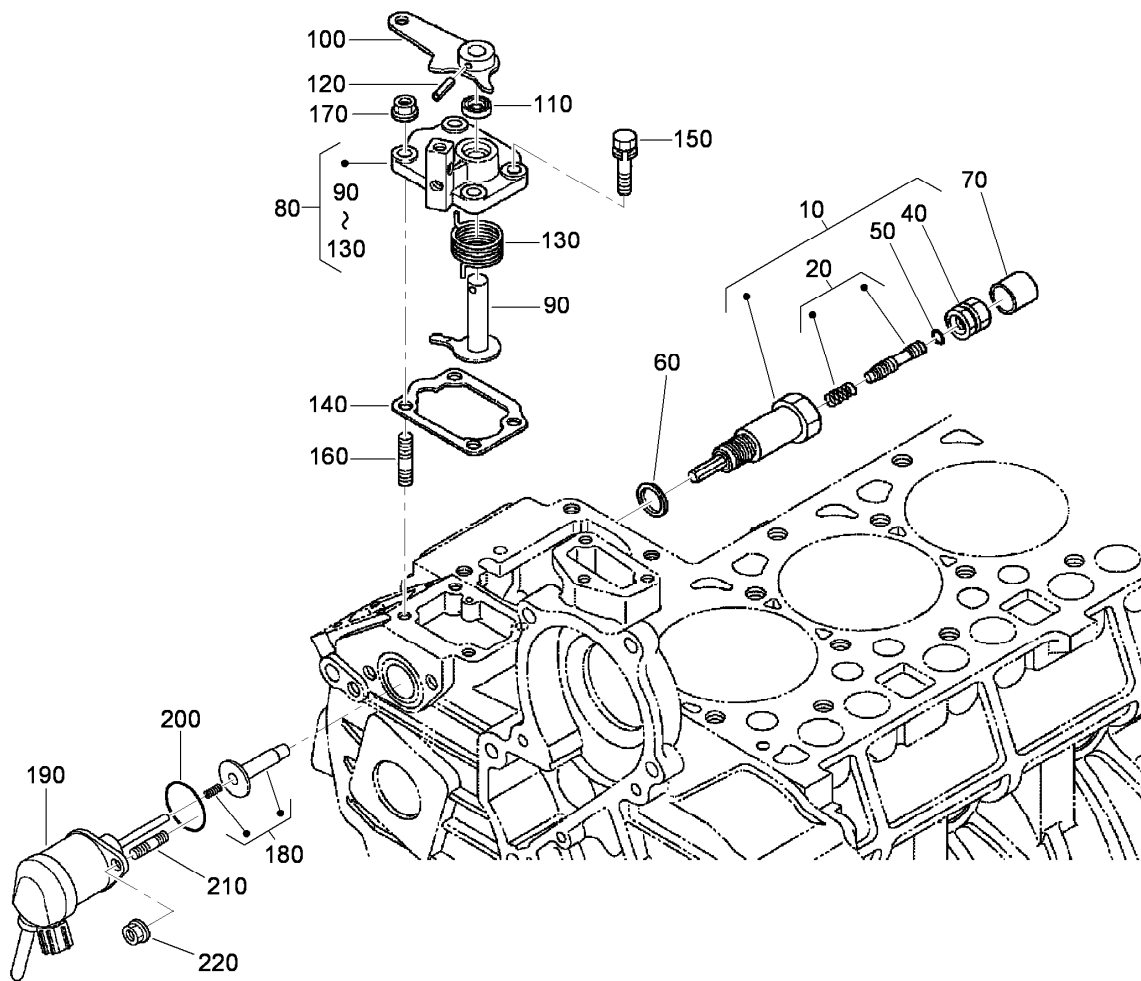
## Flywheel Assembly

<i>Ref.</i>	<i>Part Number</i>	<i>Qty.</i>	<i>Description</i>
10	115-8557	1	Flywheel ASM
20	115-8558	1	Gear-Ring
30	112-8408	6	Bolt-Flywheel
40	115-8559	1	Housing-Flywheel
50	98-7885	11	Bolt



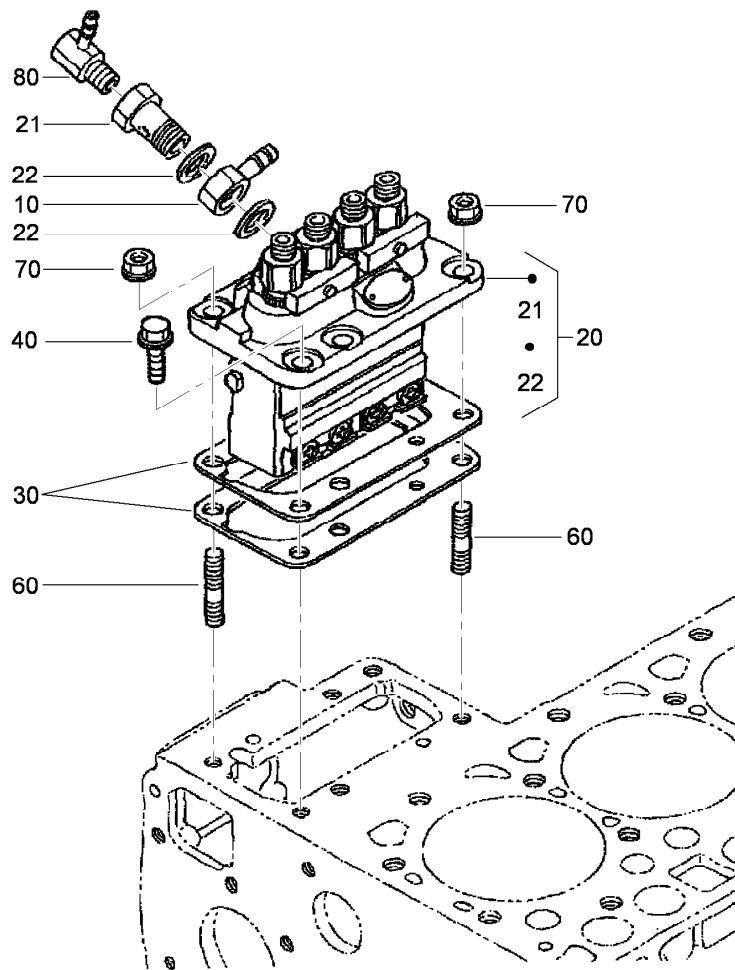
## Fuel Camshaft and Governor Shaft Assembly

<i>Ref.</i>	<i>Part Number</i>	<i>Qty.</i>	<i>Description</i>
10	115-8560	1	Fuel Camshaft ASM
20	115-8561	1	Bearing-Ball
30	98-7574	1	Gear-Pump, Injection
40	98-7575	1	Key-Feather
60	98-7577	1	Sleeve-Governor
70	98-7578	1	Circlip-Sleeve, Governor
80	98-7579	1	Case-Ball, Governor
90	98-7580	39	Ball
100	98-7581	1	Circlip
110	98-7582	7	Ball
120	115-8562	1	Bearing-Ball
130	115-8563	1	Stopper-Fuel Camshaft
140	100-9195	2	Bolt
150	115-8564	1	Cover-Camshaft, Fuel
160	115-8565	1	Collar
170	115-8566	1	Gasket
180	98-7589	1	Circlip-External
190	98-7590	4	Bolt



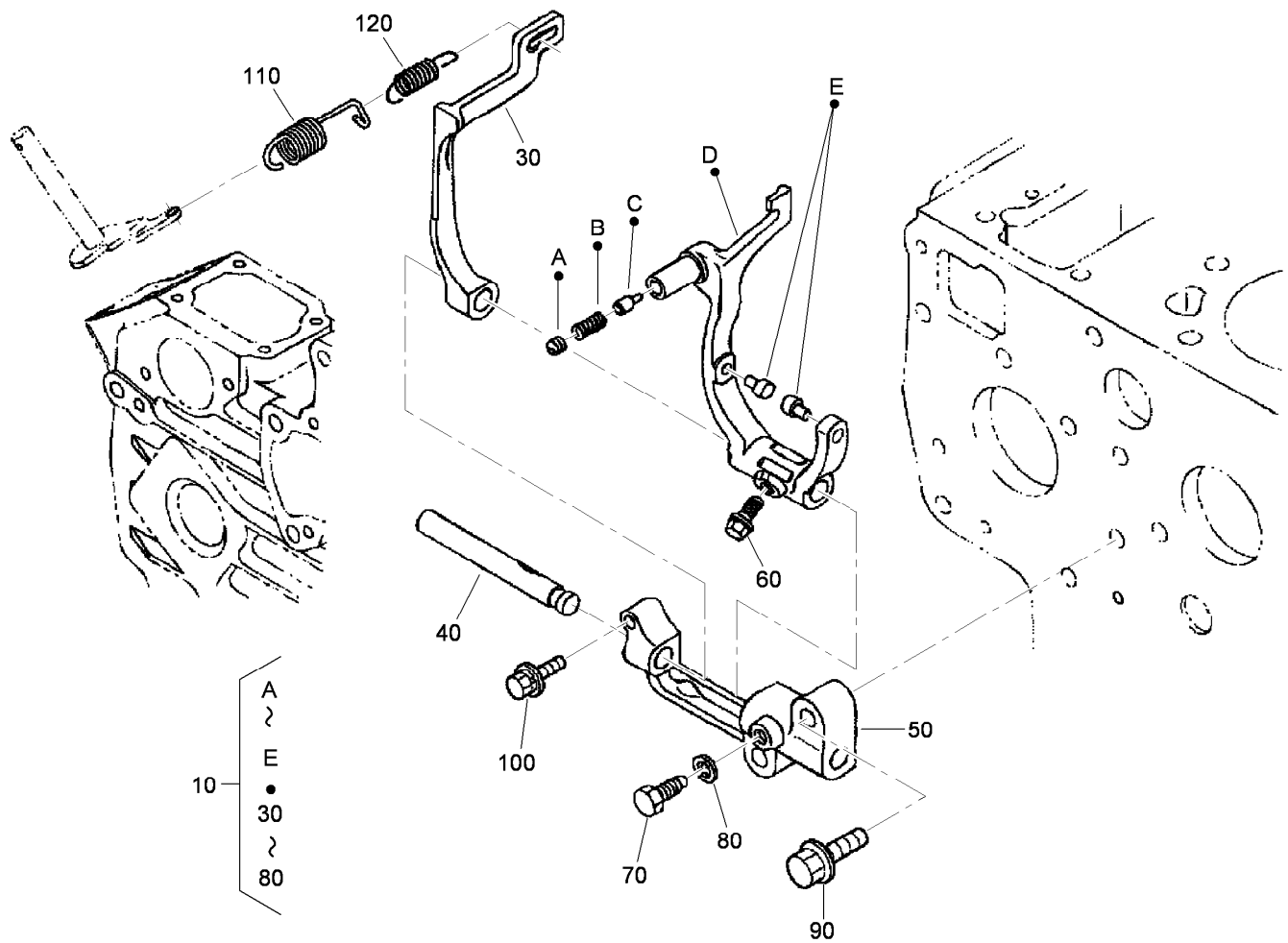
## Idle Apparatus and Stop Solenoid Assembly

Ref.	Part Number	Qty.	Description
10	115-8567	1	Apparatus-Idling
20	115-8568	1	Adjustment Bolt ASM
40	115-8569	1	Nut-Spring
50	115-8570	1	O-Ring
60	115-8571	1	Gasket
70	115-8572	1	Cap
80	115-8573	1	Engine Stop Lever ASM
90	115-8574	1	Lever-Stop
100	115-8575	1	Lever-Stop, Engine
110	115-8576	1	Seal-Oil
120	98-7602	1	Pin-Spring
130	115-8577	1	Spring-Return
140	115-8578	1	Gasket-Plate
150	98-7568	2	Bolt
160	98-7571	2	Stud
170	100-2203	2	Nut-Flange
180	115-8579	1	Guide-Solenoid
190	115-8580	1	Solenoid ASM
200	110-3762	1	O-Ring
210	98-7571	2	Stud
220	100-2203	2	Nut-Flange



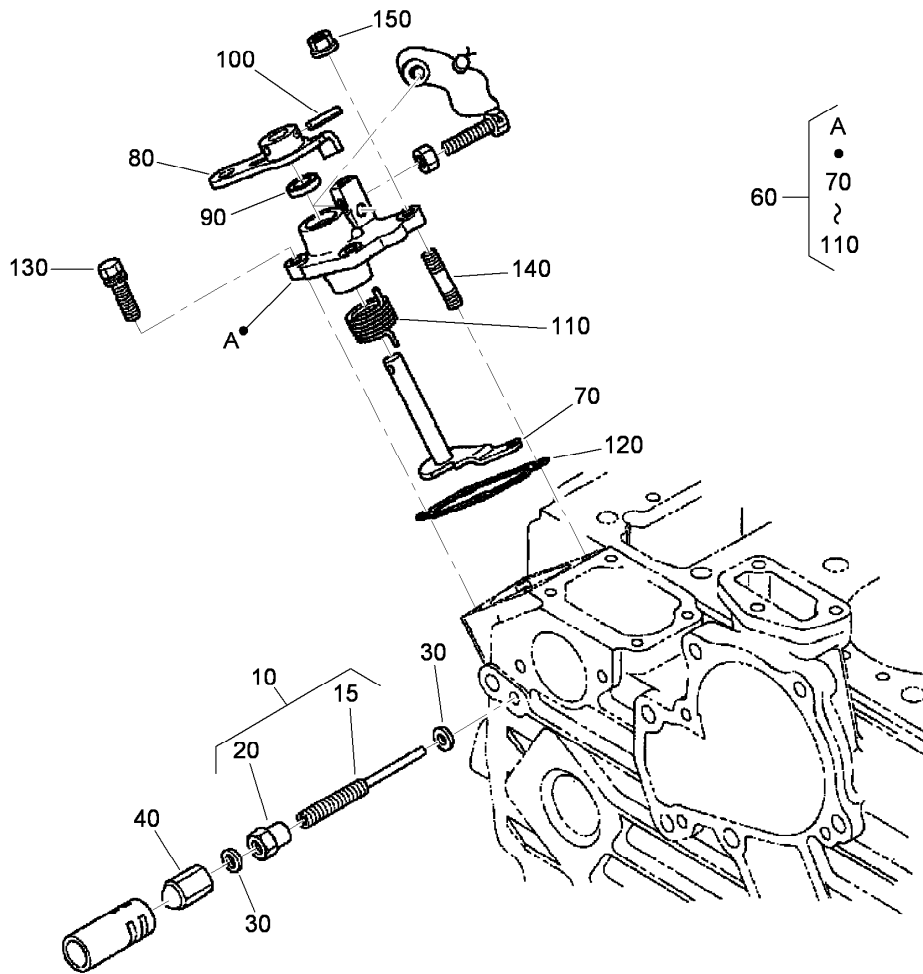
## Injection Pump Assembly

<i>Ref.</i>	<i>Part Number</i>	<i>Qty.</i>	<i>Description</i>
10	98-7617	1	Joint
20	115-8581	1	Injection Pump ASM
21	98-7635	1	Screw
22	98-7636	2	Gasket
30	115-8582	1	Shim-Pump, Injection (0.175Mm)
30	98-7607	1	Shim-Pump, Injection (0.200Mm)
30	107-0147	1	Shim-Pump, Injection (0.250Mm)
30	107-0148	1	Shim-Pump, Injection (0.300Mm)
40	115-8583	4	Bolt-Flange
60	100-1558	2	Stud
70	112-2492	2	Nut-Flange
80	107-4300	1	Orifice ASM



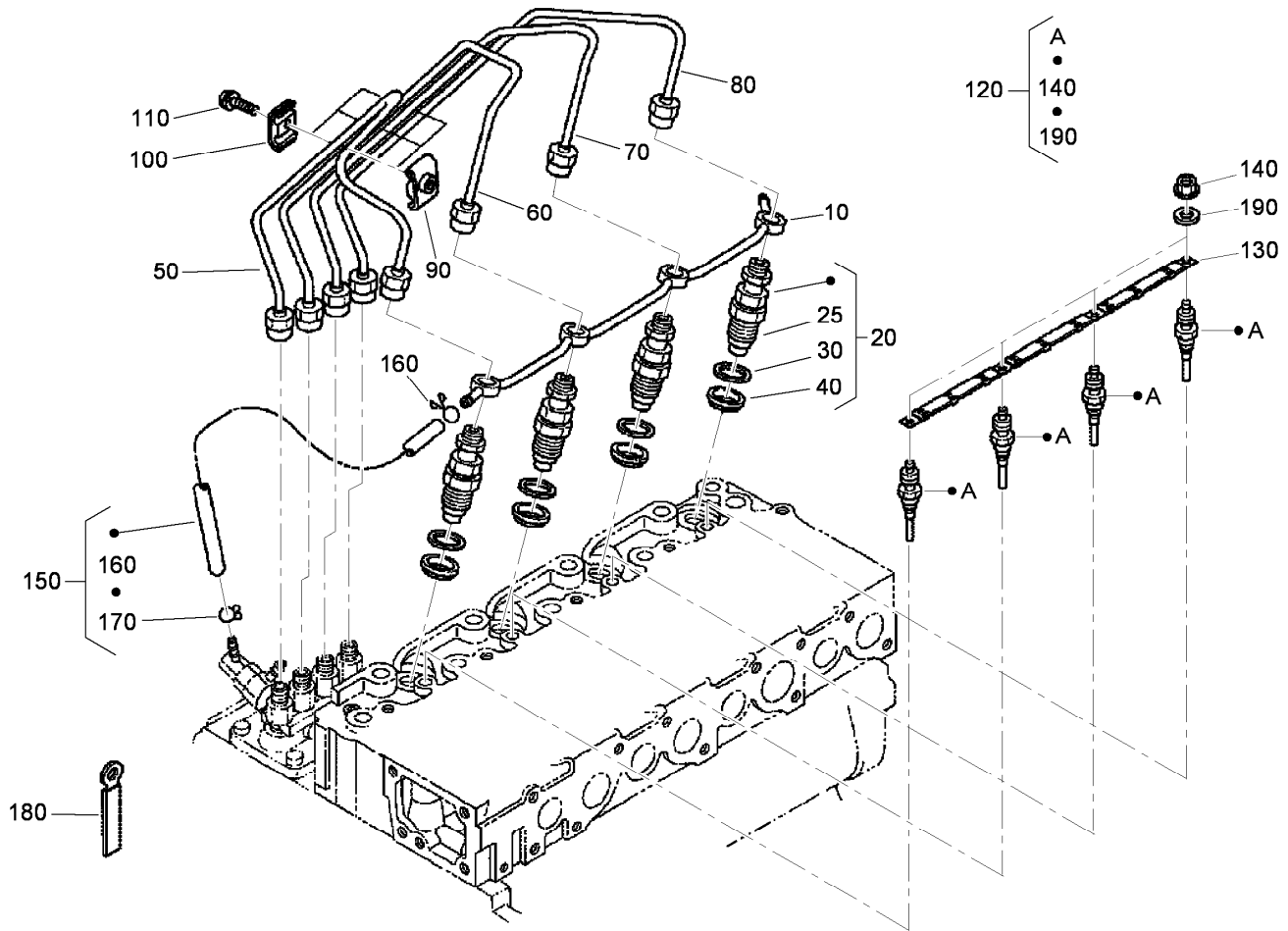
## Governor Assembly

<i>Ref.</i>	<i>Part Number</i>	<i>Qty.</i>	<i>Description</i>
10	115-8584	1	Fork Lever ASM
30	115-8585	1	Lever-Fork
40	107-0120	1	Shaft-Lever, Fork
50	98-7643	1	Holder-Lever, Fork
60	107-0116	1	Bolt-Flange
70	98-7644	1	Bolt
80	98-9367	1	Washer-Spring
90	108-7085	2	Bolt-Flange
100	108-7086	1	Bolt
110	115-8586	1	Spring-Governor
120	115-8587	1	Spring-Governor



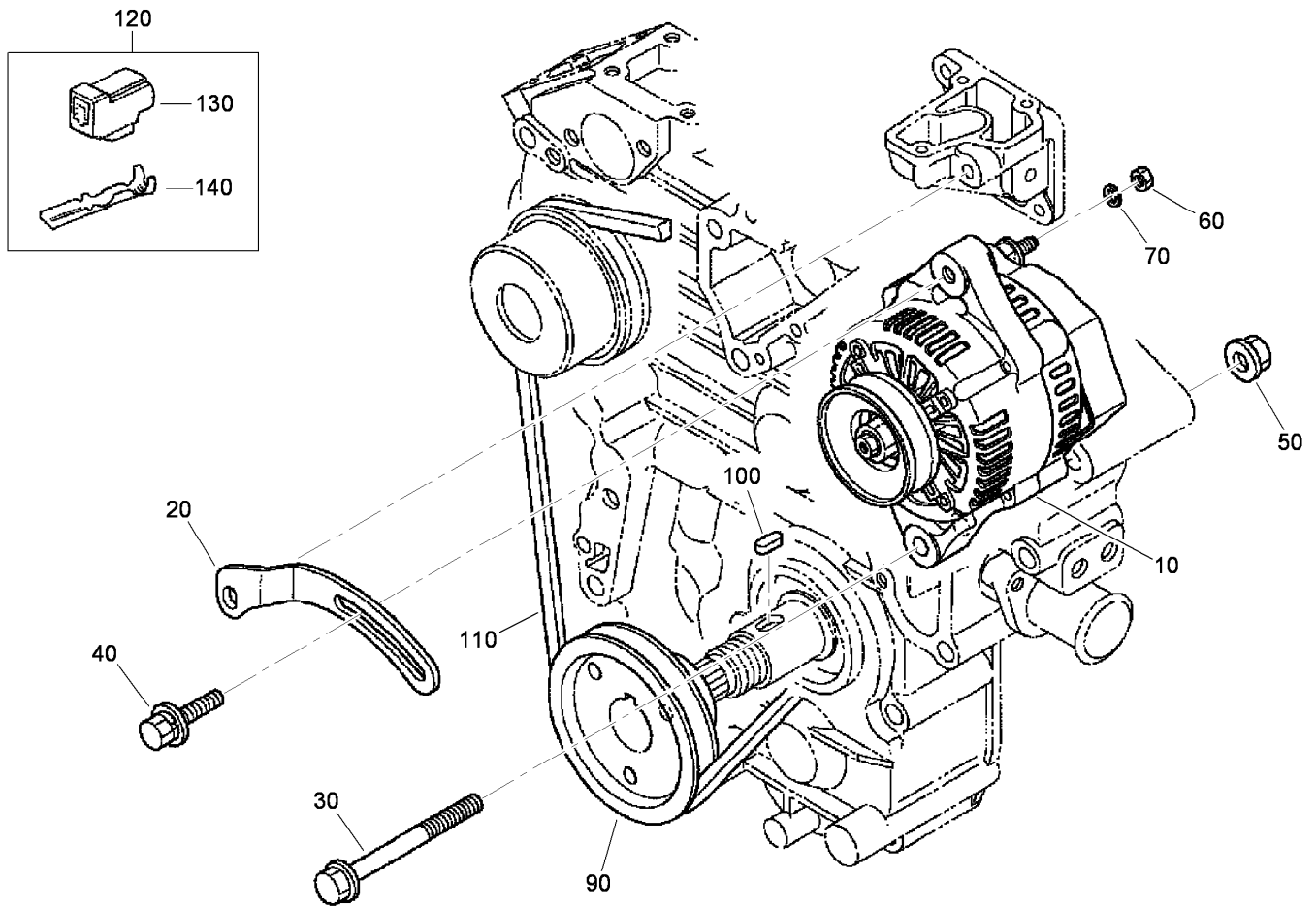
## Speed Control Plate Assembly

<i>Ref.</i>	<i>Part Number</i>	<i>Qty.</i>	<i>Description</i>
10	107-0132	1	Adjustable Bolt ASM
15	115-8588	1	Bolt-Adjusting
20	98-7653	1	Nut
30	98-7654	2	Gasket
40	98-7655	1	Nut-Cap
60	115-8589	1	Control Plate ASM
70	115-8590	1	Lever-Governor
80	115-8591	1	Lever-Control, Speed
90	115-8576	1	Seal-Oil
100	98-7602	1	Pin-Spring
110	115-8593	1	Spring-Return
120	115-8578	1	Gasket-Plate
130	98-7568	2	Bolt
140	98-7571	2	Stud
150	100-2203	2	Nut-Flange



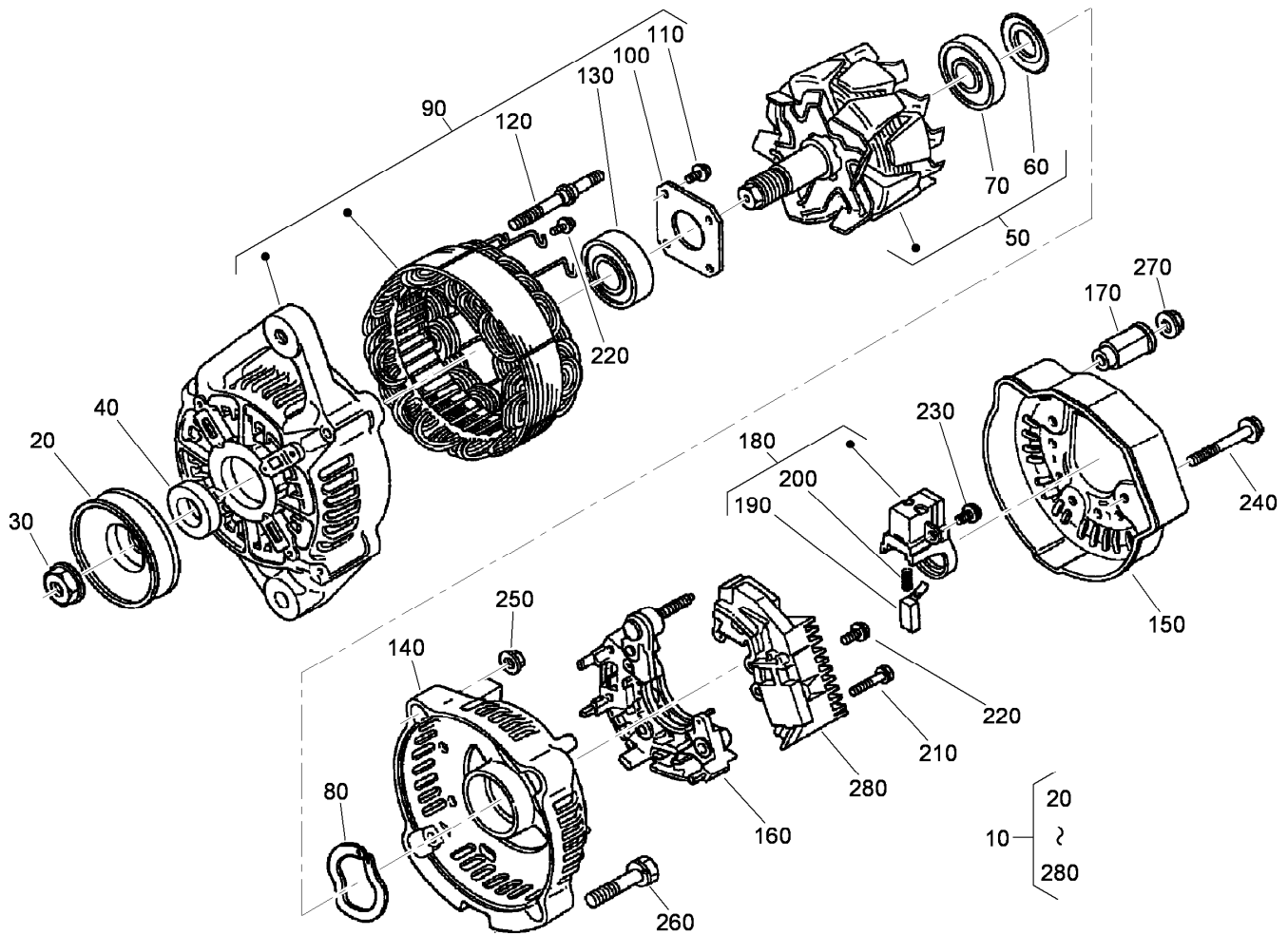
## Nozzle Holder and Glow Plug Assembly

Ref.	Part Number	Qty.	Description
10	100-9213	1	Overflow Pipe ASM
20	100-9214	4	Nozzle Holder Kit
25	100-9215	4	Piece-Nozzle
30	98-7676	4	Gasket
40	98-7677	4	Seal-Heat
50	100-9216	1	Pipe-Injection
60	100-9217	1	Pipe-Injection
70	100-9218	1	Pipe-Injection
80	100-9219	1	Pipe-Injection
90	98-7682	3	Clamp-Pipe
100	98-7683	3	Clamp-Pipe
110	98-9364	3	Screw (With Washer)
120	98-7685	4	Plug-Glow
130	98-7686	1	Cord-Plug, Glow
140	99-8377	4	Nut-Flange
150	98-7670	1	Overflow Pipe ASM
160	98-7671	1	Clip-Pipe
170	115-8595	1	Clip-Pipe
180	98-7673	1	Clamp-Cord
190	99-8378	4	Washer-Plain



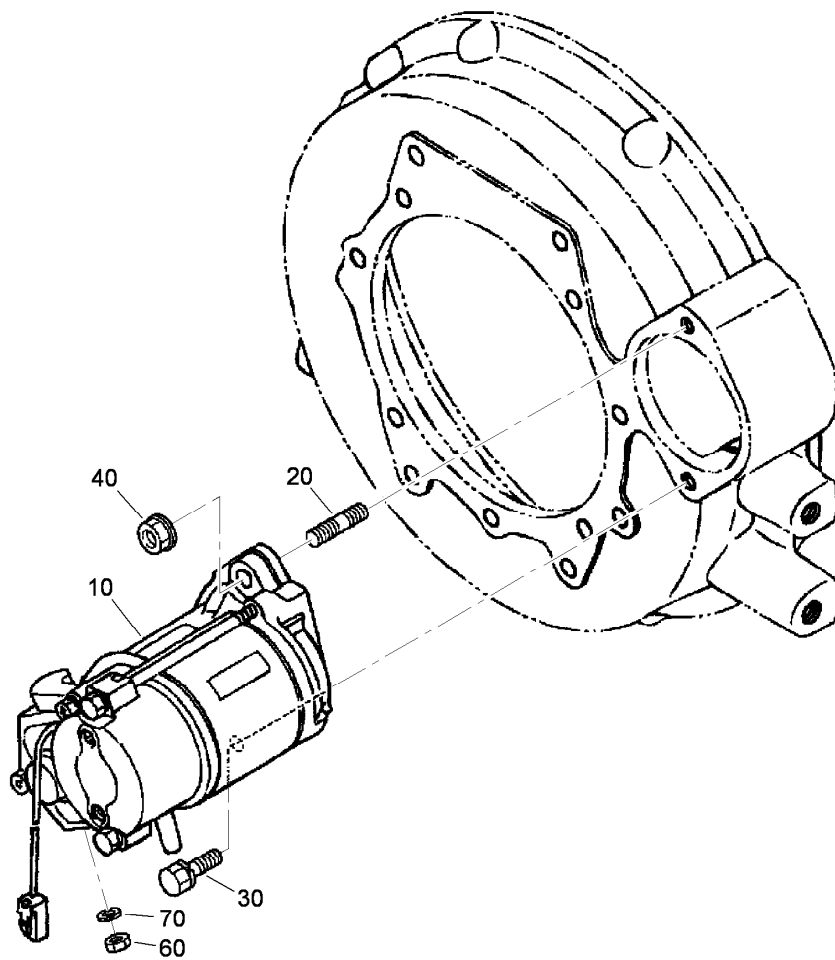
## Alternator and Pulley Assembly

<i>Ref.</i>	<i>Part Number</i>	<i>Qty.</i>	<i>Description</i>
10	98-7693	1	Alternator ASM
20	105-2872	1	Bracket-Alternator
30	115-8596	1	Bolt-Flange
40	108-7088	1	Bolt
50	115-8597	1	Nut-Flange
60	98-7572	1	Nut
70	98-7699	1	Washer-Spring
90	115-8598	1	Pulley-Drive, Fan
100	98-7451	1	Key-Feather
110	115-8599	1	Belt-V
120	115-8600	1	Coupler ASM
130	115-8601	1	Connector
140	115-8602	2	Terminal



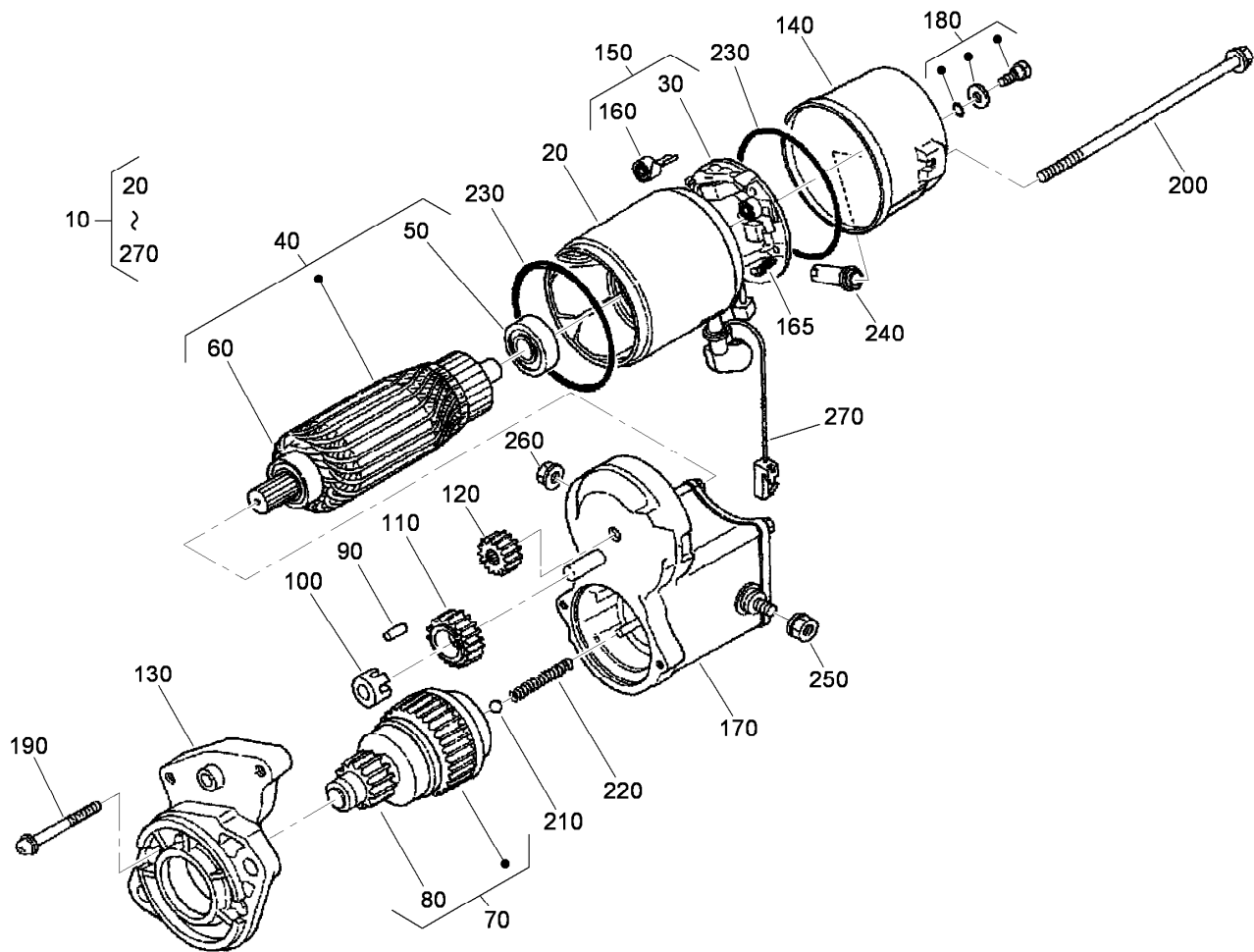
## Alternator Component Part Assembly

<i>Ref.</i>	<i>Part Number</i>	<i>Qty.</i>	<i>Description</i>	<i>Ref.</i>	<i>Part Number</i>	<i>Qty.</i>	<i>Description</i>
10	98-7693	1	Alternator ASM	150	107-0140	1	Cover-End
20	98-7707	1	Pulley-Alternator	160	98-7721	1	Rectifier ASM
30	98-7708	1	Nut	170	98-7722	1	Bushing-Insulation
40	98-7709	1	Collar	180	107-0141	1	Brush Holder ASM
50	107-0136	1	Rotor ASM	190	98-7724	2	Brush
60	98-7711	1	Cover-Bearing	200	98-7725	2	Spring-Brush
70	107-0138	1	Bearing-Ball	210	98-7726	2	Screw-Head, Round
80	98-7713	1	Washer-Thrust	220	98-7727	6	Screw-Head, Round
90	107-0139	1	Drive End Frame ASM	230	98-7728	1	Screw-Head, Round
100	98-7715	1	Plate-Retainer	240	98-7729	3	Bolt
110	98-7716	4	Screw-Head, Round	250	98-7730	2	Nut
120	98-7717	2	Bolt-Through	260	98-7731	2	Bolt
130	107-0137	1	Bearing-Ball	270	98-7732	1	Nut
140	98-7719	1	Frame-End	280	110-3799	1	Regulator ASM



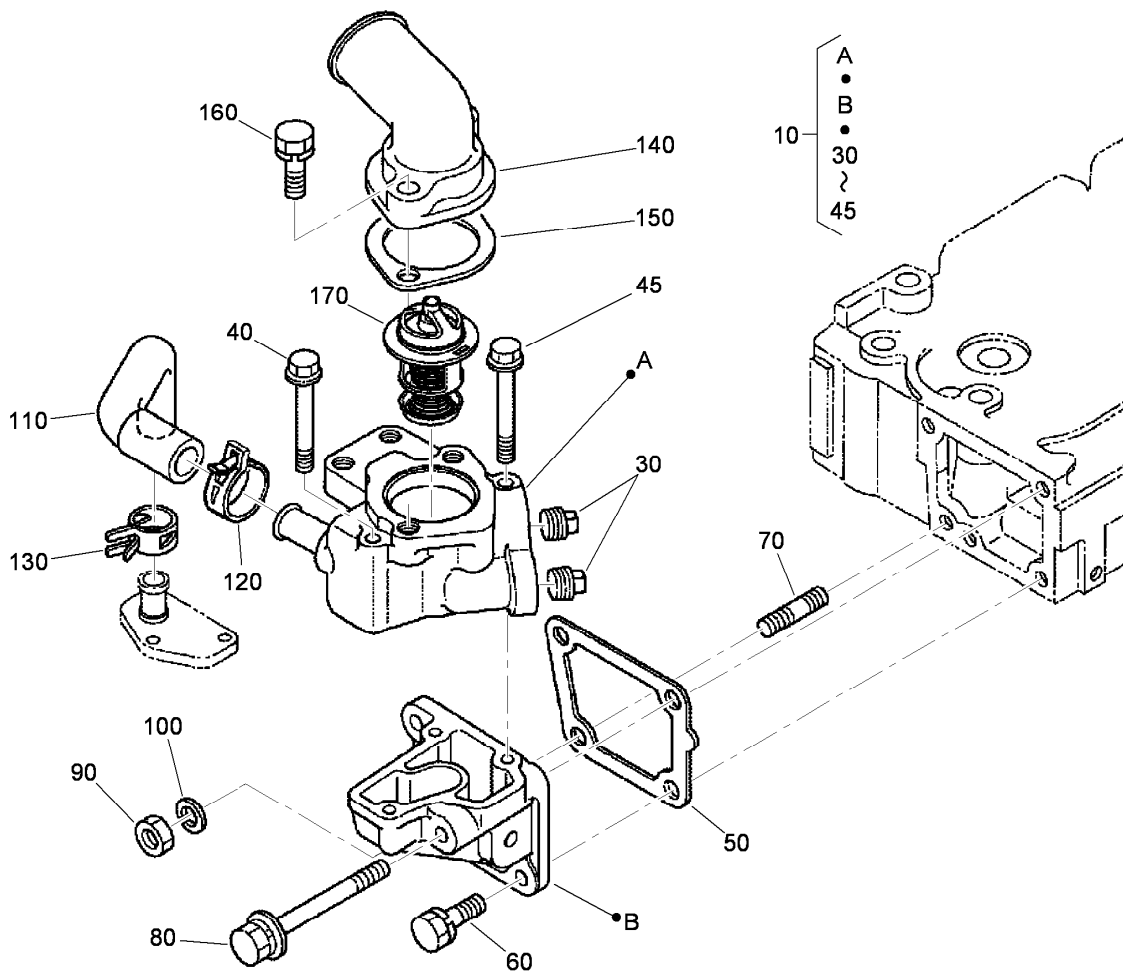
## Starter Assembly

<i>Ref.</i>	<i>Part Number</i>	<i>Qty.</i>	<i>Description</i>
10	115-8603	1	Starter ASM
20	98-7735	1	Stud
30	98-7736	1	Bolt
40	115-8597	1	Nut-Flange
60	98-7739	1	Nut
70	105-2893	1	Washer-Spring



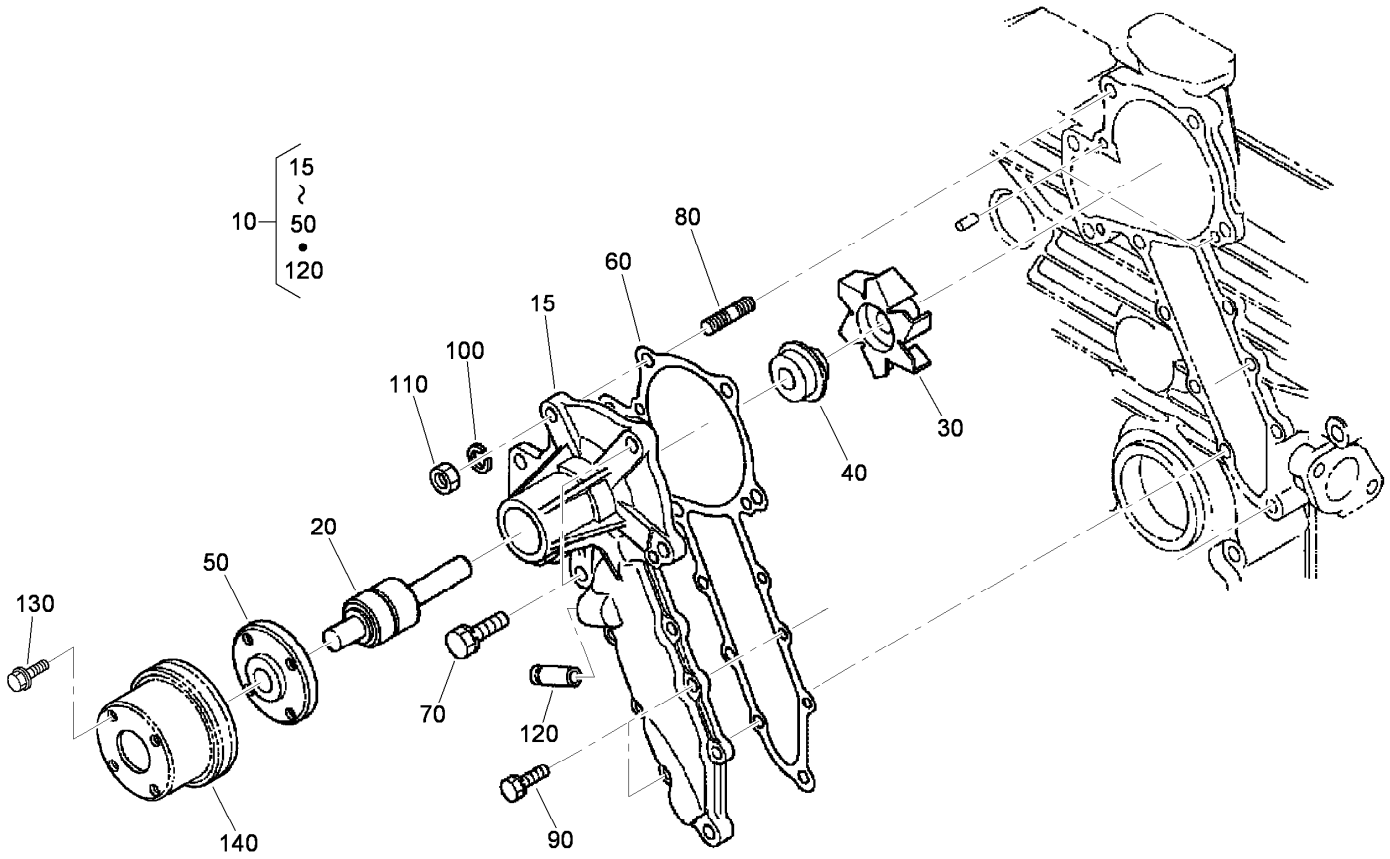
## Starter Components Assembly

<i>Ref.</i>	<i>Part Number</i>	<i>Qty.</i>	<i>Description</i>	<i>Ref.</i>	<i>Part Number</i>	<i>Qty.</i>	<i>Description</i>
10	115-8603	1	Starter ASM	150	115-8612	1	Holder-Brush
20	115-8604	1	Yoke	160	115-8613	4	Spring
30	115-8605	1	Brush Kit	165	115-8614	4	Spring-Brush
40	115-8606	1	Armature	170	115-8615	1	Magnetic Switch ASM
50	115-8607	1	Bearing	180	115-8616	2	Screw
60	98-7744	1	Bearing	190	115-8617	2	Screw
70	115-8608	1	Clutch-Running, Over	200	115-8618	2	Bolt-Thru
80	112-2833	1	Gear-Pinion	210	98-7755	1	Ball
90	98-9707	5	Roller	220	98-7754	1	Spring
100	98-7752	1	Retainer	230	98-7757	2	O-Ring
110	98-7751	1	Gear	240	115-8619	1	Pipe-Drain
120	115-8609	1	Gear	250	98-7760	1	Nut-Hex
130	115-8610	1	Frame-End, Drive	260	99-8376	1	Nut-Hex
140	115-8611	1	Frame-End	270	98-9711	1	Cord-Solenoid, Stop



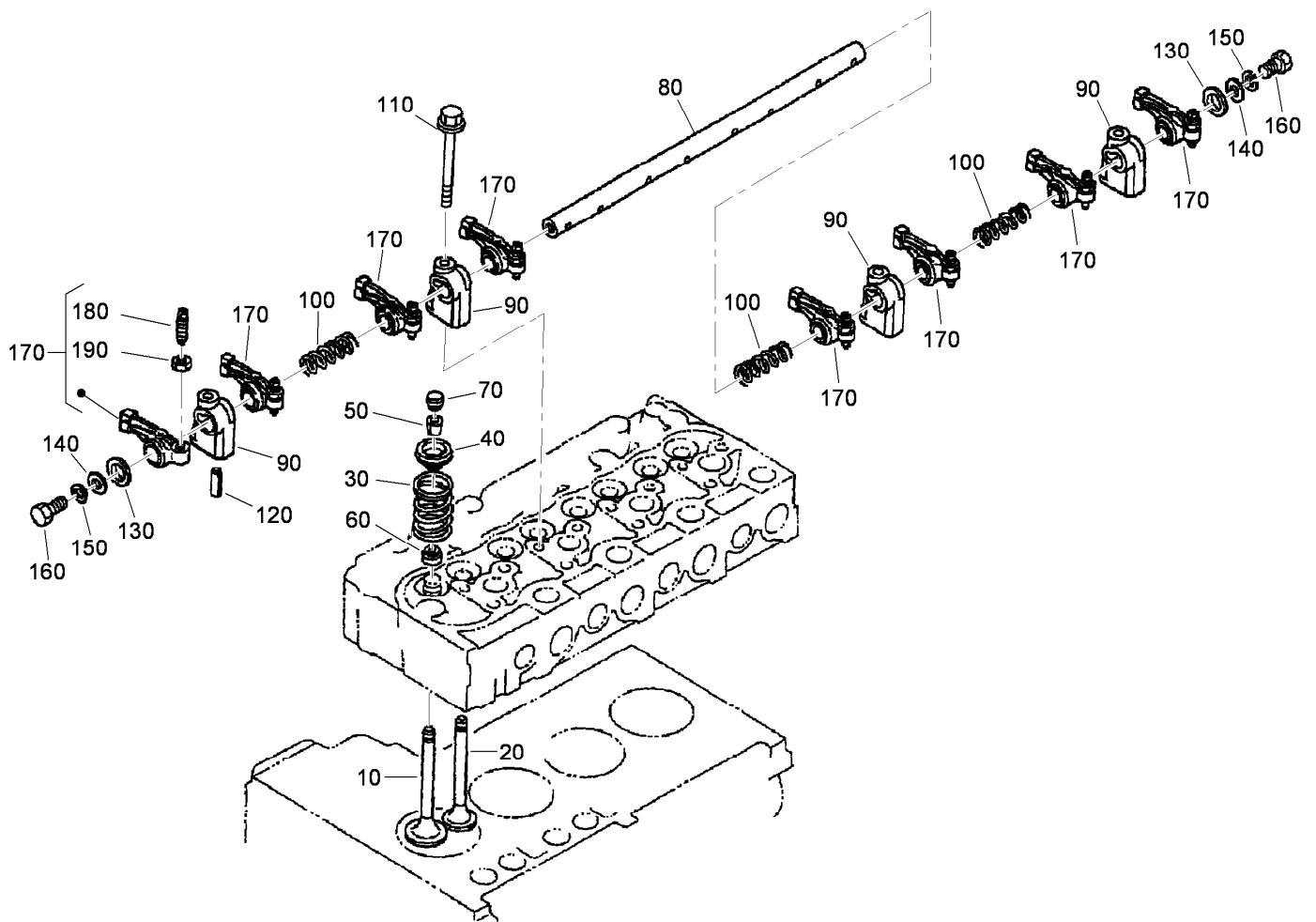
## Water Flange and Thermostat Assembly

<i>Ref.</i>	<i>Part Number</i>	<i>Qty.</i>	<i>Description</i>
10	105-4578	1	Water Flange ASM
30	105-2874	2	Plug
40	105-2875	2	Bolt-Flange
40	105-2875	3	Bolt-Flange
45	107-0117	1	Bolt-Flange
45	107-0117	1	Bolt-Flange
50	98-7767	1	Gasket-Flange, Water
60	98-9359	2	Bolt
70	100-1558	1	Stud
80	107-0115	1	Bolt
90	98-7534	1	Nut
100	105-2893	1	Washer-Spring
110	115-8620	1	Pipe-Return, Water
120	115-8621	1	Clamp-Hose
130	105-2879	1	Clamp-Hose
140	100-9244	1	Cover-Thermostat
150	105-3748	1	Gasket-Thermostat
160	98-7777	2	Bolt
170	105-2881	1	Thermostat ASM



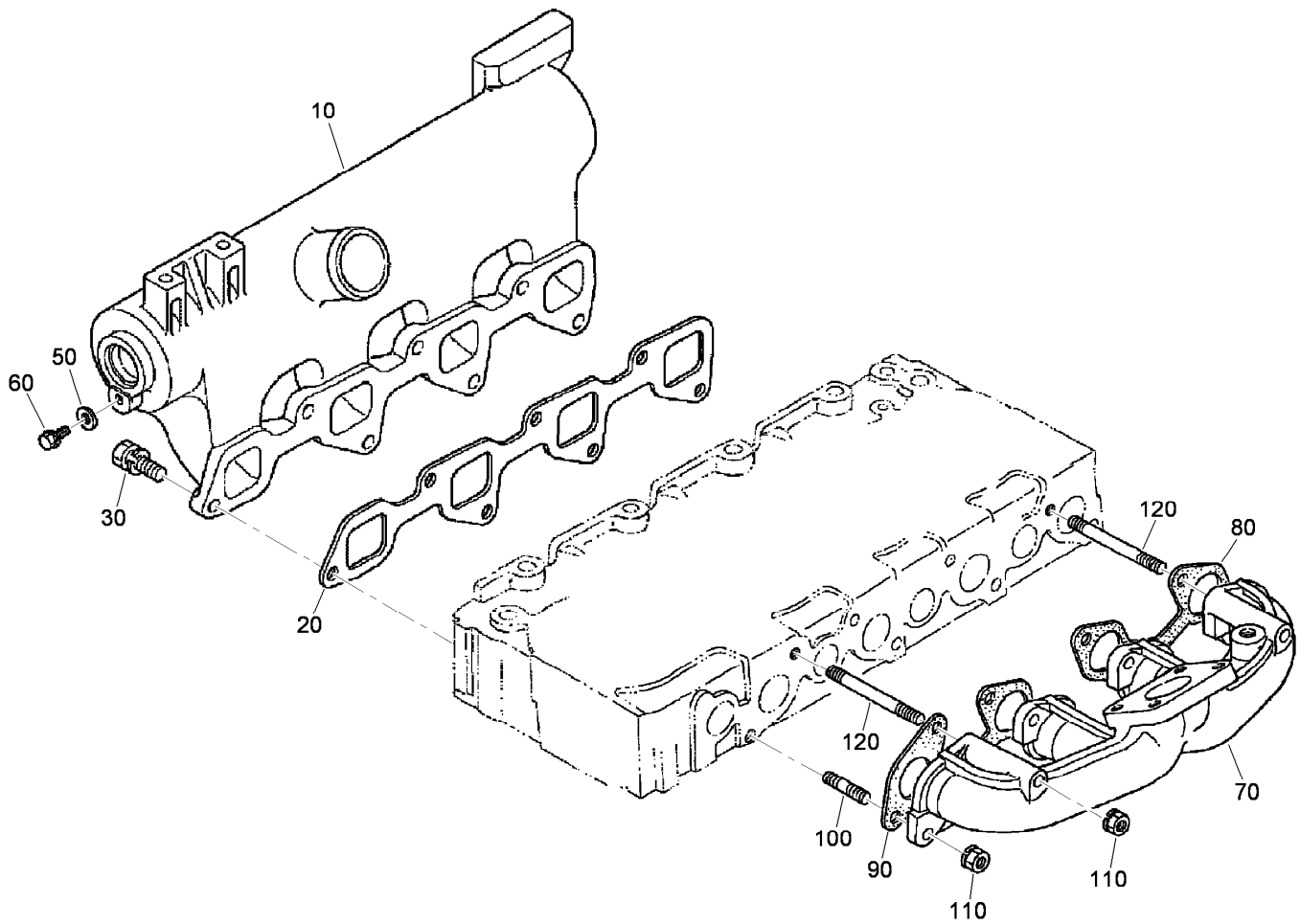
## Water Pump Assembly

<i>Ref.</i>	<i>Part Number</i>	<i>Qty.</i>	<i>Description</i>
10	115-8622	1	Water Pump ASM
15	115-8623	1	*obs* Body-Pump, Water
20	98-7780	1	Bearing-Ball
30	107-0130	1	Impeller-Pump, Water
40	105-2882	1	Mechanical Seal ASM
50	108-7089	1	Flange-Shaft, Water Pump
60	115-8624	1	Gasket-Pump, Water
70	98-7439	2	Bolt
80	108-7090	1	Stud
90	98-7605	6	Bolt
100	105-2893	1	Washer-Spring
110	98-7534	1	Nut
120	98-9580	1	Pipe-Return, Water
130	107-4317	4	Bolt-Flange
140	115-8625	1	Pulley-Fan



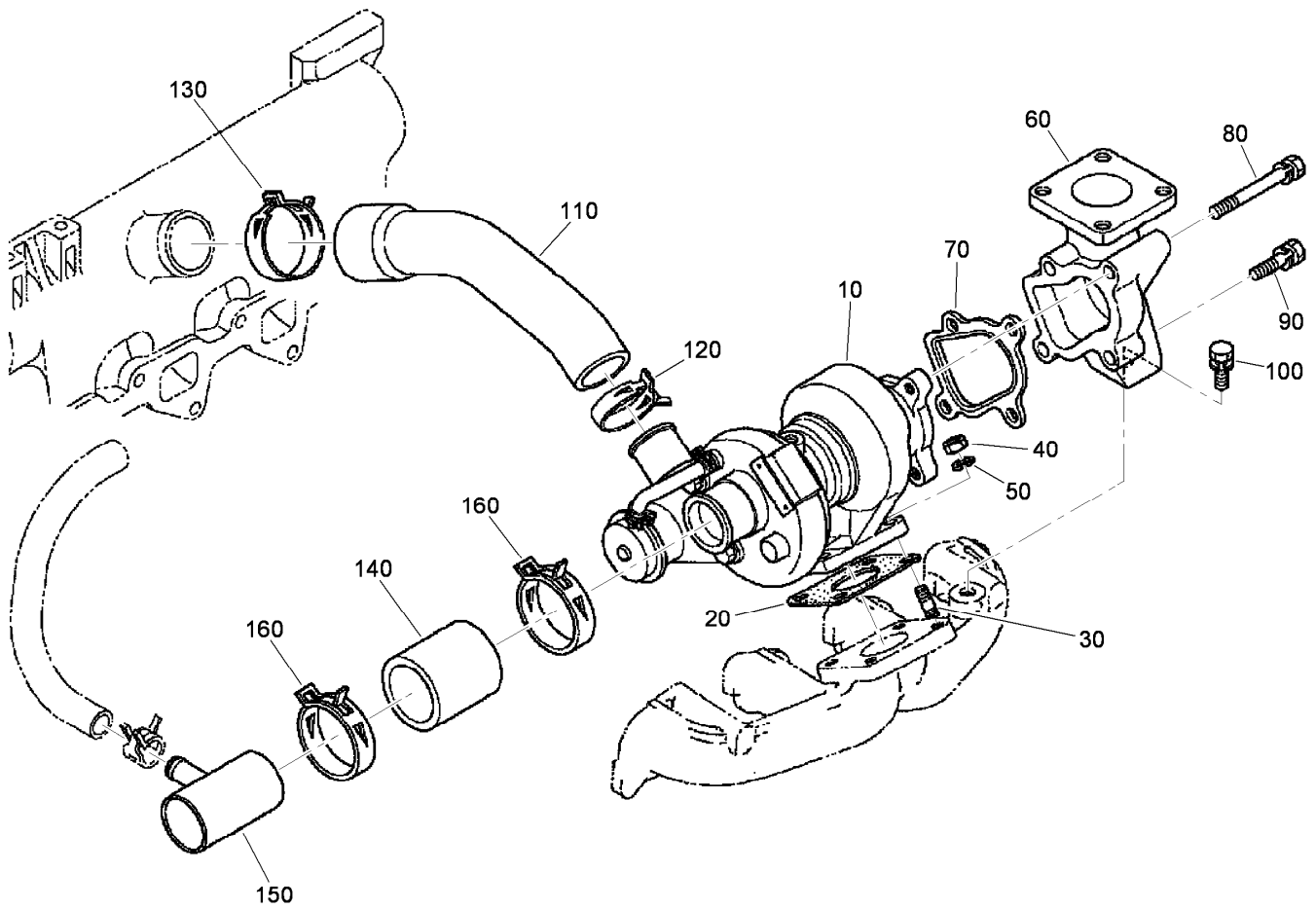
## Valve and Rocker Arm Assembly

<i>Ref.</i>	<i>Part Number</i>	<i>Qty.</i>	<i>Description</i>
10	115-8626	4	Valve-Inlet
20	114-5099	4	Valve-Exhaust
30	98-7793	8	Spring-Valve
40	98-7794	8	Retainer-Spring, Valve
50	98-7795	8	Collet-Spring, Valve
60	98-7796	8	Seal-Stem, Valve
70	98-7797	8	Cap-Valve
80	107-0134	1	Shaft-Arm, Rocker
90	98-7800	4	Bracket-Arm, Rocker
100	98-7807	3	Spring-Arm, Rocker
110	108-7091	4	Bolt-Flange
120	98-7805	1	Pin-Spring
130	98-7806	2	Washer
140	98-7660	2	Washer-Plain
150	105-2893	2	Washer-Spring
160	98-7884	2	Bolt
170	98-7809	8	Rocker Arm ASM
180	98-7810	8	Screw-Adjusting
190	98-7811	8	Nut



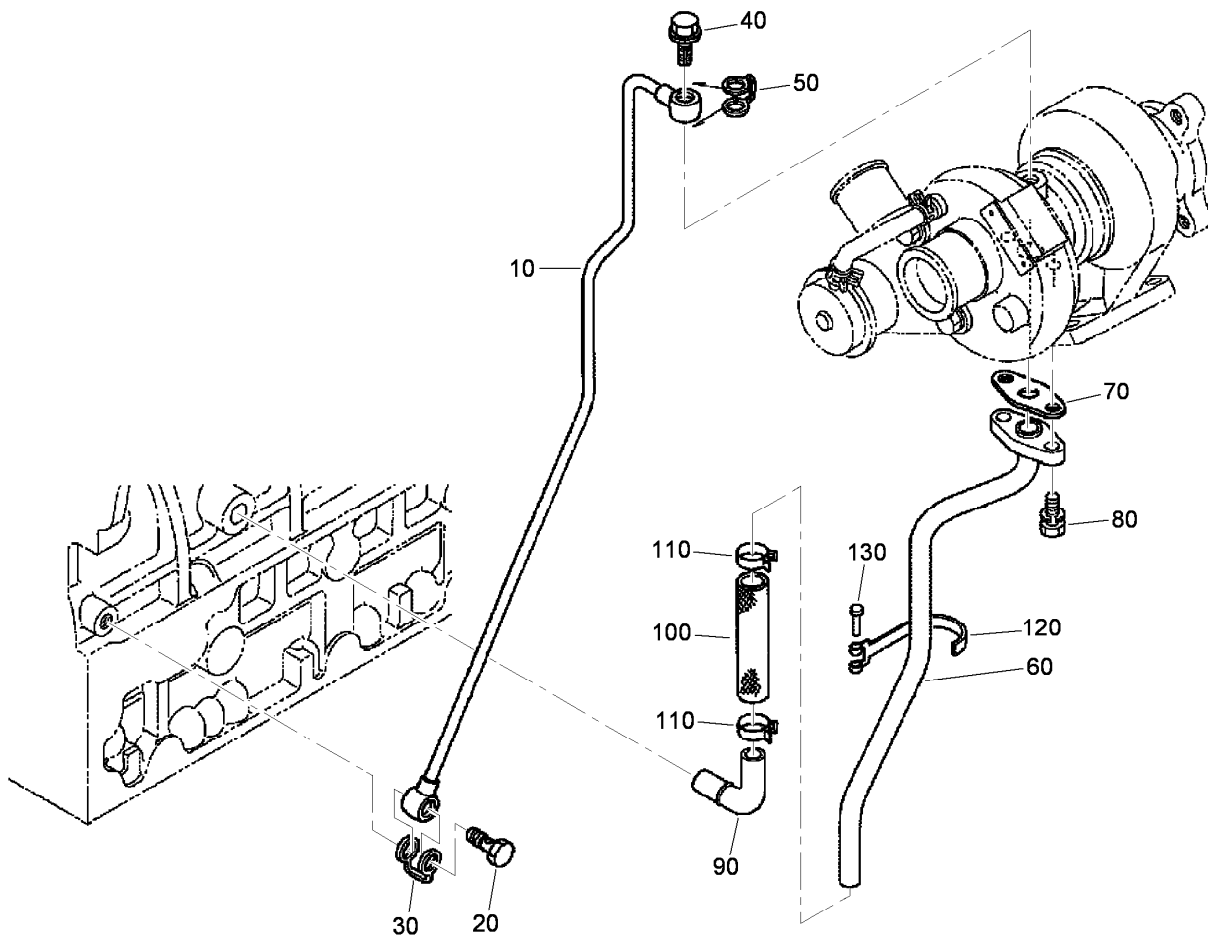
## Inlet and Exhaust Manifold Assembly

<i>Ref.</i>	<i>Part Number</i>	<i>Qty.</i>	<i>Description</i>
10	115-8627	1	Manifold-Inlet
20	100-9284	1	Gasket-Manifold, Intake
30	98-7610	1	Bolt
50	98-7654	1	Gasket
60	107-4317	1	Bolt-Flange
70	108-7092	1	Manifold-Exhaust
80	98-7802	1	Gasket
90	98-7803	1	Gasket
100	100-1558	6	Stud
110	100-9288	8	Nut
120	100-9289	2	Stud



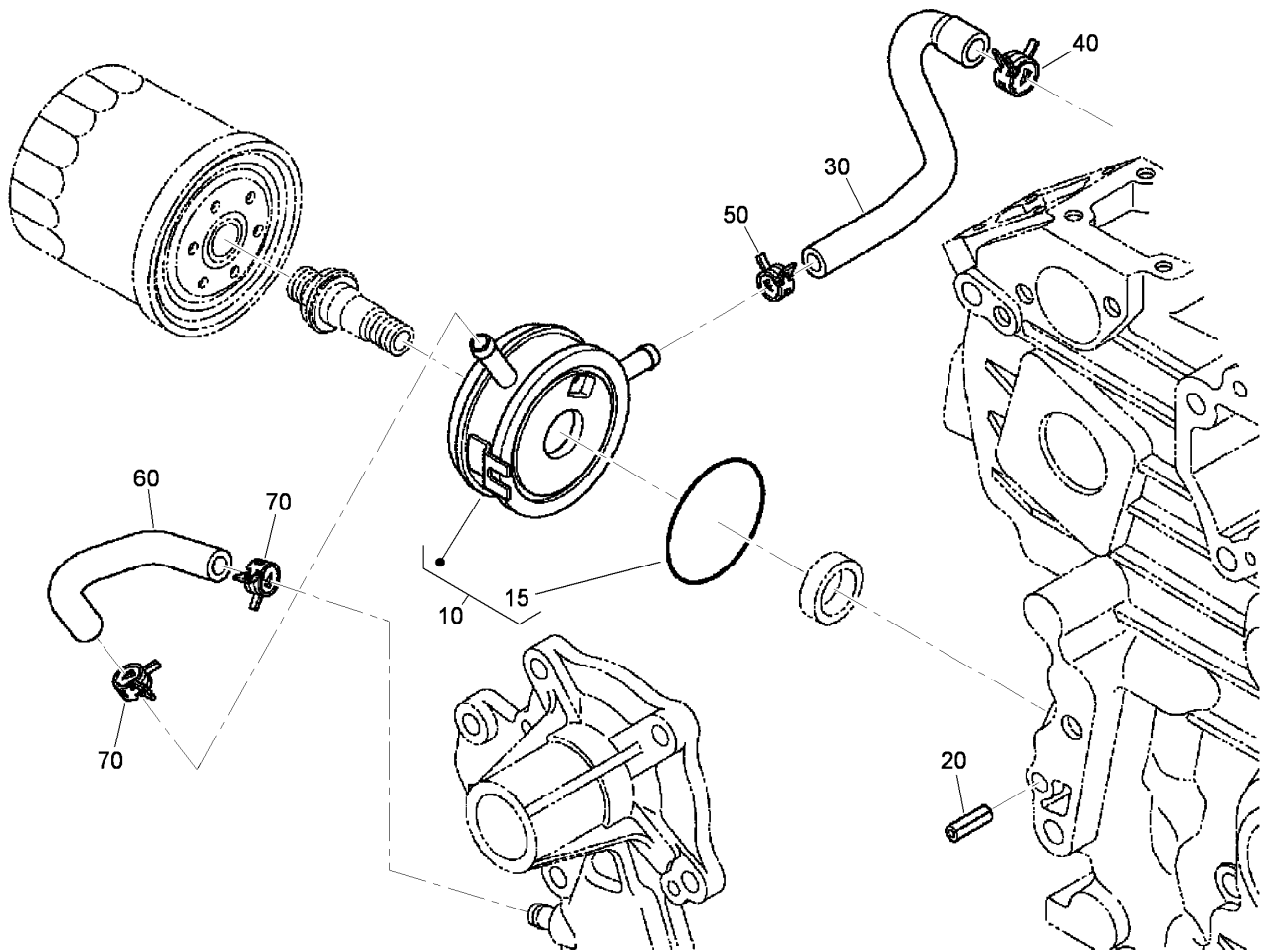
## Turbo Charger Assembly

<i>Ref.</i>	<i>Part Number</i>	<i>Qty.</i>	<i>Description</i>
10	115-8628	1	Turbo Charger ASM
20	100-9314	1	Gasket
30	99-8342	4	Stud
40	98-7534	4	Nut
50	105-2893	4	Washer-Spring
60	108-7094	1	Flange-Muffler
70	100-9316	1	Gasket
80	98-7590	2	Bolt
90	98-7777	2	Bolt
100	115-8629	1	Bolt
110	115-8630	1	Hose-Inlet
120	100-9319	1	Band-Pipe
130	99-8322	1	Band-Pipe
140	115-8631	1	Tube-Inlet, Turbo
150	115-8632	1	Pipe-Breather, Inlet
160	99-8322	2	Band-Pipe



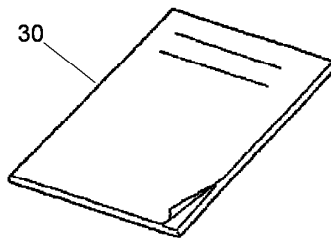
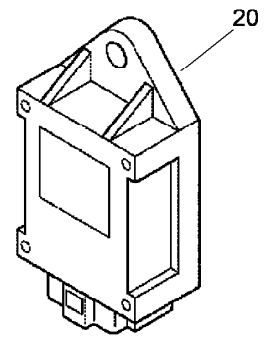
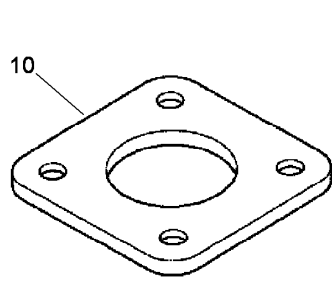
## Oil Pipe (Turbo Charger) Assembly

<i>Ref.</i>	<i>Part Number</i>	<i>Qty.</i>	<i>Description</i>
10	115-8633	1	Pipe-Oil
20	100-9321	1	Bolt-Joint, Eye
30	115-8634	1	Gasket
40	115-4126	1	Bolt-Joint, Eye
50	115-8635	1	Gasket
60	115-8636	1	Pipe-Oil
70	108-4422	1	Gasket
80	98-7605	2	Bolt
90	100-9323	1	Pipe-Oil
100	108-7095	1	Tube-Oil
110	98-9714	2	Clamp-Hose
120	108-7096	1	Clamp-Pipe
130	98-9591	1	Pin-Band



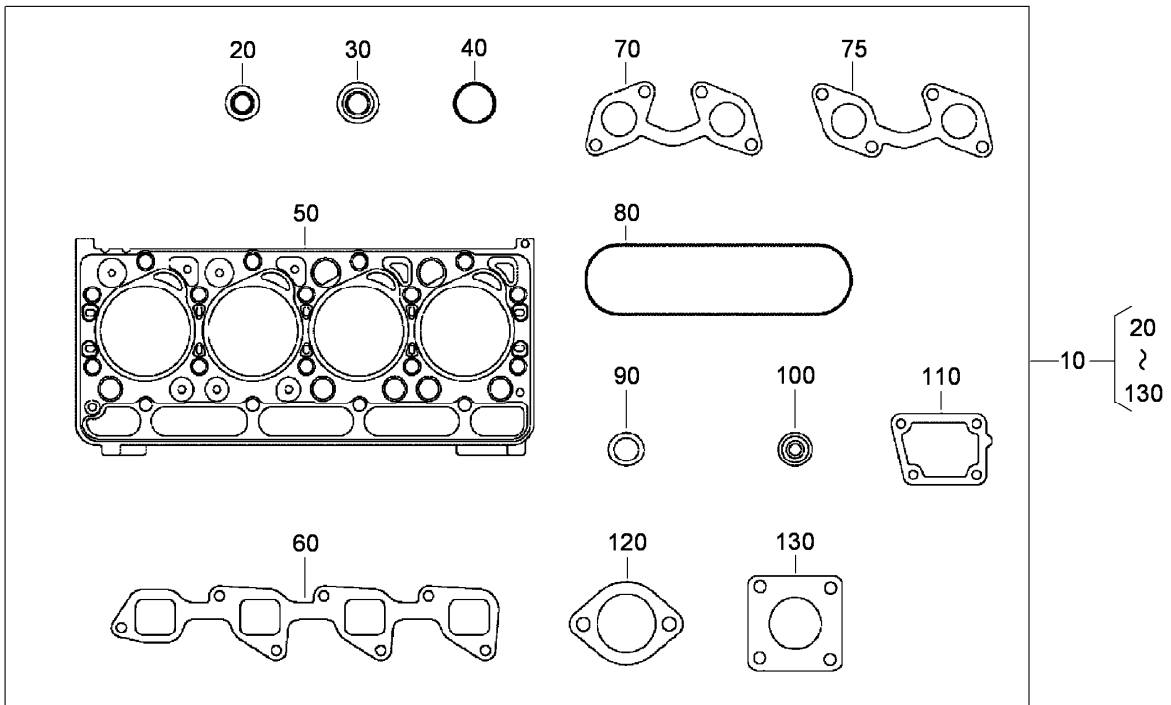
## Oil Cooler Assembly

<i>Ref.</i>	<i>Part Number</i>	<i>Qty.</i>	<i>Description</i>
10	115-8637	1	Oil Cooler ASM
15	115-8638	1	O-Ring
20	115-8639	1	Pin-Spring
30	115-8640	1	Hose-Cooler, Oil
40	105-2879	1	Clamp-Hose
50	98-9579	1	Band-Pipe
60	115-8641	1	Hose-Cooler, Oil
70	98-9579	2	Band-Pipe



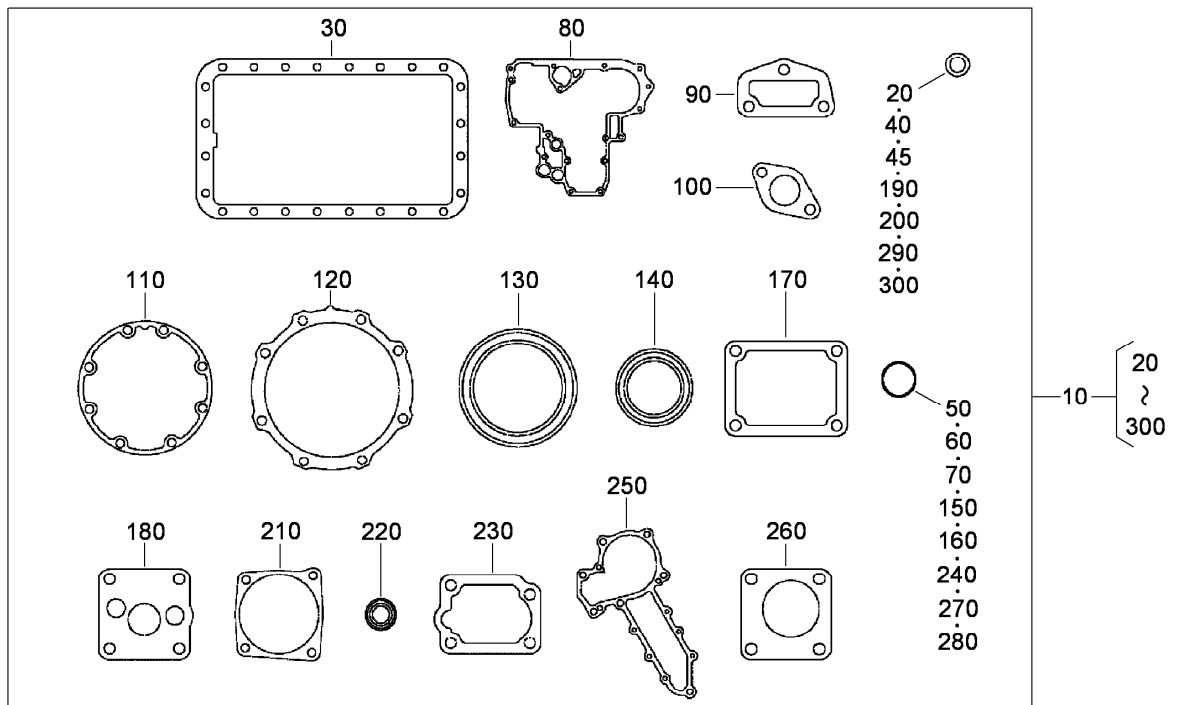
## Muffler Gasket, Glow Controller and Operator Manual

<i>Ref.</i>	<i>Part Number</i>	<i>Qty.</i>	<i>Description</i>
10	100-9333	1	Gasket-Muffler
20	98-7611	1	Controller-Glow
30	115-8642	1	Manual-Operator



## Upper Gasket Kit

<i>Ref.</i>	<i>Part Number</i>	<i>Qty.</i>	<i>Description</i>
10	115-8643	1	Upper Gasket Kit
20	98-7763	1	Washer-W/Rubber
30	98-7796	8	Seal-Stem, Valve
40	108-7064	1	O-Ring
50	115-8509	1	Gasket-Head, Cylinder (1.20Mm)
60	100-9284	1	Gasket-Manifold, Intake
70	98-7803	1	Gasket
75	98-7802	1	Gasket
80	108-7062	1	Gasket-Cover, Head
90	98-7676	4	Gasket
100	98-7677	4	Seal-Heat
110	98-7767	1	Gasket-Flange, Water
120	105-3748	1	Gasket-Thermostat
130	100-9333	1	Gasket-Muffler



## Lower Gasket Kit

<i>Ref.</i>	<i>Part Number</i>	<i>Qty.</i>	<i>Description</i>	<i>Ref.</i>	<i>Part Number</i>	<i>Qty.</i>	<i>Description</i>
10	115-8644	1	Lower Gasket Kit	150	98-7478	1	O-Ring
20	98-7524	1	Gasket	160	108-7054	1	O-Ring
30	108-7053	1	Gasket-Pan, Oil	170	98-7604	1	Gasket-Cover, Pump
40	98-7528	1	O-Ring	180	115-8648	1	Gasket-Pump, Oil
45	98-9399	2	Gasket	190	98-7654	2	Gasket
50	107-0104	1	O-Ring	200	98-7636	2	Gasket
60	115-8514	2	O-Ring	210	115-8566	1	Gasket
70	107-0106	1	O-Ring	220	115-8576	2	Seal-Oil
80	115-8516	1	Gasket-Case, Gear	230	115-8578	2	Gasket-Plate
90	115-8521	1	Gasket-Flange, Return	240	110-3762	1	O-Ring
100	115-8645	1	Gasket-Pump, Fuel	250	115-8624	1	Gasket-Pump, Water
110	98-7435	1	Gasket-Case, Bearing	260	115-8522	1	Gasket-Meter, Hour
120	98-7437	1	Gasket-Case Cover, Bearing	270	115-8649	1	O-Ring
130	108-7072	1	Seal-Oil	280	115-8570	1	O-Ring
140	98-7480	1	Seal-Oil	290	115-8571	1	Gasket
				300	98-7428	1	Gasket

# Attachments and Accessories

## For 30858 Groundsmaster 4700-D Traction Unit

<b>Product Name</b>	<b>Model/Part</b>
Blade-Lift, High .....	104-5183
Blade-Angle Sail .....	105-9810-03
Blade-Atomic .....	107-0235-03
Blade-Combo.....	108-9026-03
90 Amp Alternator Kit.....	115-8473
27in Rotary Cutting Unit.....	30834
Leaf Mulching Kit .....	30836
Diagnostic Display Box .....	85-4750



**Count on it.**