



Count on it.

Parts Catalog

Groundsmaster® 4500-D Traction Unit

Model No. 30857—Serial No. 31000001 and Up

Ordering Replacement Parts

To order replacement parts, please supply the part number, the quantity, and the description of each part desired.

Understanding Reference Numbers

Each identified part in an illustration has a reference number. The reference number for a part also appears in the parts list, along with other information about the part.

This catalog uses two special reference number formats, one to indicate parts in a service assembly and another to indicate the quantity of a given part in an illustration.

Service Assembly Reference Numbers

Parts in service assemblies have reference numbers in the form a:b. The a represents the reference number of the entire service assembly and the b represents a sequential number unique to each part within the service assembly.

For example, a wheel assembly might be identified by reference number 6, the tire by 6:1, the valve by 6:2, and the wheel by 6:3. When you order the assembly identified by reference number 6, you receive all parts identified by reference numbers 6:1, 6:2, and 6:3. However, you may also order any part individually. Reference numbers of this type appear in illustration and in parts lists.

Reference Numbers Indicating Quantity

In an illustration, if a reference number indicates more than one part, the reference number has the form nX y. The n represents the quantity of the part, the X is the multiplication symbol, and the y represents the reference number.

For example, in an illustration, the reference number 2X 37 means that two of the parts identified by reference number 37 are indicated.

List of Abbreviations

AR: as required

ASM: assembly

BBC: blade brake control

BHTF: button head thread forming

CARR: carriage

CCW: counter clockwise

CW: clockwise

DEG: degrees

DPA: Dual Point Adjustment

ECM: electronic control module

EXT: external

FH: flat head

GA: gauge

HD: heavy-duty

HF: hex flange

HH: hex head

HHF: hex head flange

HHFTF: hex head flange thread forming

HJ: hex jam

HLH: hex lag head

HOC: height-of-cut

HSBH: hex socket button head

HSFH: hex socket flat head

HSH: hex socket head

HWH: hex washer head

HWTF: hex washer head thread forming

HYD: hydraulic

LH: left hand

LP: Liquid Propane

NI: nylon insert

NPTF: national pipe thread fine

PFH: phillips flat head

PPH: phillips pan head

PPHTF: phillips pan head thread forming

PRH: phillips round head

PTH: phillips truss head

PTO: power-take-off

RH: right hand

ROPS: roll-over protection system

RRB: rear roller brush

SFH: slotted fillister head

SHH: slotted hex head

SHWH: slotted hex washer head

SPH: slotted pan head

SQH: square head

SRH: slotted round head

STD: standard

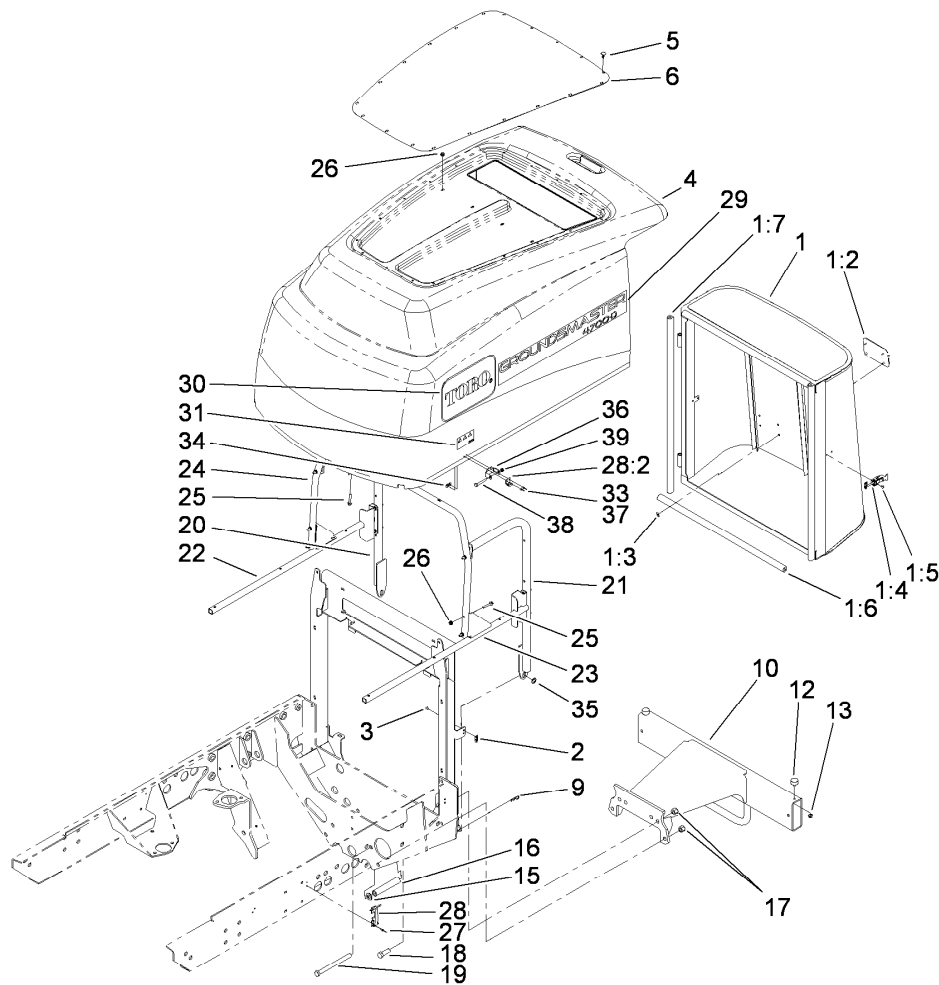
TAP: self tapping

TTH: torx truss head

Contents

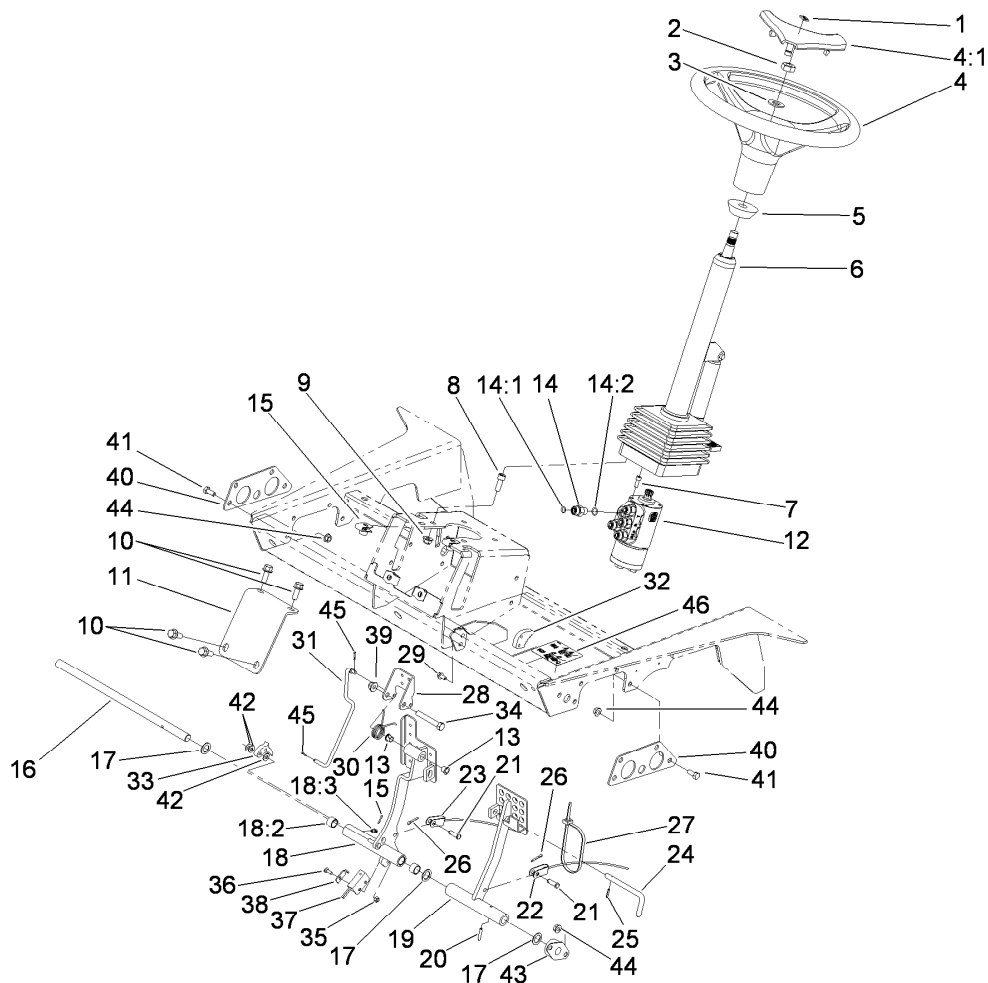
Hood, Screen and Bumper Assembly	5
Steering Tower and Brake Pedal Assembly	6
Steering Tilt Column Assembly No. 106-3622	7
Steering Valve Assembly No. 114-8119	8
Traction Pedal Assembly	9
Seat and Frame Assembly	10
Air Ride Seat Suspension Assembly No. 108-1488	11
Premium Seat Assembly No. 117-5676	13
Control Console Assembly	14
Hydraulic Filter and Reservoir Assembly	15
Fuel Tank and Filter Assembly	16
Front Drive and Brake Assembly	17
Planetary Assembly No. 105-4500-03	18
Brake Assembly No. 100-3070-03	19
Piston Motor Assembly No. 105-1218	20
Brake Assembly No. 100-3069-03	21
Fan Plumbing Assembly	22
Hydraulic Pump Assembly	23
Piston Pump Assembly No. 114-4188	24
Control Assembly No. 115-4446	25
Four Section Pump Assembly No. 114-4189	26
Radiator Assembly	27
Fan and Motor Assembly	28
Hydraulic Motor Assembly No. 117-4769	29
Engine Installation Assembly	30
Rear Axle Assembly	31
Bevel Pinion Shaft Assembly Rear Axle Assembly No. 110-4750	32
Bevel Gear Case Assembly Rear Axle Assembly No. 110-4750	33
Differential Assembly Rear Axle Assembly No. 110-4750	34
Axle Support Assembly Rear Axle Assembly No. 110-4750	35
Bevel Gear Shaft Assembly Rear Axle Assembly No. 110-4750	36
Axle Case Assembly Rear Axle Assembly No. 110-4750	37
Axle Assembly Rear Axle Assembly No. 110-4750	38
Hydraulic Cylinder Assembly No. 107-1976	39
Piston Motor Assembly No. 105-1219	40
Flywheel Coupler Assembly	41
Power Center, Battery and Storage Box Assembly	42
Battery Storage Box Assembly No. 115-9100	43
Storage Box Assembly No. 115-9101	44
Front Lift Arm Assembly	45
Hydraulic Cylinder Assembly No. 107-1979	46
Hydraulic Cylinder Assembly No. 107-1980	47
Air Cleaner and Manifold Assembly	48
Fan Drive Manifold Assembly No. 117-2395	49
Air Cleaner Assembly No. 99-5410	50
No. 2 and 3 Lift Arm Assembly	51
Hydraulic Cylinder Assembly No. 107-1978	52
No. 2 and 3 Hose Installation Assembly	53
No. 1, 4 and 5 Hose Installation Assembly	54
Hydraulic Motor Assembly No. 105-9872	55
Roll-Over Protection System and Front Frame Assembly	56
Front Frame Assembly No. 115-4392	57
Front Shroud and Work Lights	58
Manifold and Filter Assembly	59

Mow Manifold Assembly No. 117-2392	60
Lift Manifold Assembly No. 117-2388	61
4-Wheel Drive Manifold and Filter Assembly	62
Filter Manifold Assembly No. 117-2391	63
Filter Manifold Assembly	64
4-Wheel Drive Manifold Assembly No. 117-2390	65
4-Wheel Drive Manifold Assembly	66
Junction Manifold Assembly No. 117-2394	67
Junction Manifold Assembly	68
Traction Hydraulic Lines Assembly	69
Hydraulic Steering Assembly	70
Mow Hydraulic Assembly	71
Lift Hydraulic Assembly	73
Crankcase Assembly	74
Oil Pan Assembly	75
Cylinder Head Assembly	76
Gear Case Assembly	77
Cylinder Head Cover Assembly	78
Oil Filter Assembly	79
Dipstick and Guide Assembly	80
Oil Pump Assembly	81
Main Bearing Case Assembly	82
Cam Shaft and Idle Gear Assembly	83
Piston and Crankshaft Assembly	84
Flywheel Assembly	85
Fuel Camshaft and Governor Shaft Assembly	86
Idle Apparatus and Stop Solenoid Assembly	87
Injection Pump Assembly	88
Governor Assembly	89
Speed Control Plate Assembly	90
Nozzle Holder and Glow Plug Assembly	91
Alternator and Pulley Assembly	92
Alternator Component Part Assembly	93
Starter Assembly	94
Starter Components Assembly	95
Water Flange and Thermostat Assembly	96
Water Pump Assembly	97
Valve and Rocker Arm Assembly	98
Inlet and Exhaust Manifold Assembly	99
Turbo Charger Assembly	100
Oil Pipe (Turbo Charger) Assembly	101
Oil Cooler Assembly	102
Muffler Gasket, Glow Controller and Operator Manual	103
Upper Gasket Kit	104
Lower Gasket Kit	105
Attachments and Accessories	106



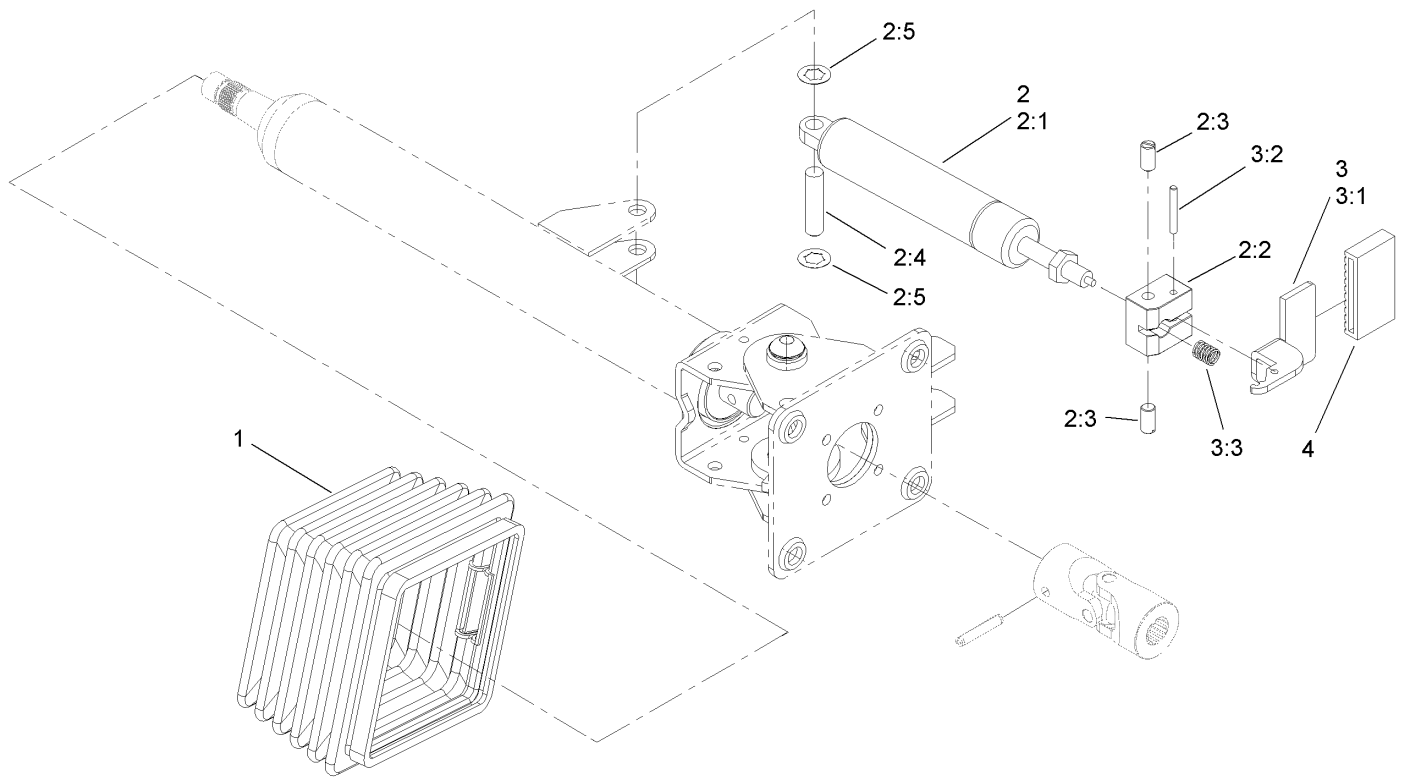
Hood, Screen and Bumper Assembly

Ref.	Part Number	Qty.	Description	Ref.	Part Number	Qty.	Description
1	115-4362	1	Screen ASM	20	114-8108-03	1	Tube-RH
1:2	93-6028	1	Plate-Logo	21	114-8109-03	1	Tube-LH
1:3	94-2638	4	Nut-Tinnerman	22	117-2358-03	1	Tube-Hood, RH
1:4	114-8117	1	Latch-Adjustable	23	114-8102-03	1	Tube
1:5	3269-3	2	Rivet-Pop	24	115-9118-03	1	Tube-Frame, Hood
1:6	115-4358	2	Seal-Bulb	25	94-5781	26	Screw-HHF
1:7	115-4359	2	Seal-Bulb	26	104-7201	26	Nut-HF
2	115-4357	1	Latch-Keeper	27	3290-55	4	Rivet-Pop
3	3269-3	2	Rivet-Pop	28	59-9740	2	Flex Draw Latch ASM
4	117-4770	1	Hood ASM	28:2	249-40	1	Keeper
5	117-2382	20	Plug-Plastic	29	105-9877	2	Decal
6	114-4192-03	1	Screen-Hood	30	66-1210	2	Decal
9	3290-467	2	Pin-Hair	31	106-6754	2	Decal-Danger
10	105-9221-03	1	Bumper-Rear	33	3269-17	4	Rivet-Pop
12	240-14	2	Bumper-Rubber	34	3269-10	4	Washer-Back
13	32128-33	2	Nut-HF	35	98-1629	2	Washer
15	3256-26	2	Washer-Flat	36	117-4791	1	Bracket-Lock, Ce
16	76-8350	2	Stop-Axle	37	107-0333	2	Rivet-Pop
17	3296-23	4	Nut-Lock, NI	38	321-11	1	Screw-HH
18	325-6	2	Screw-HH	39	3296-56	1	Nut-Lock, NI
19	325-33	2	Screw-HH				



Steering Tower and Brake Pedal Assembly

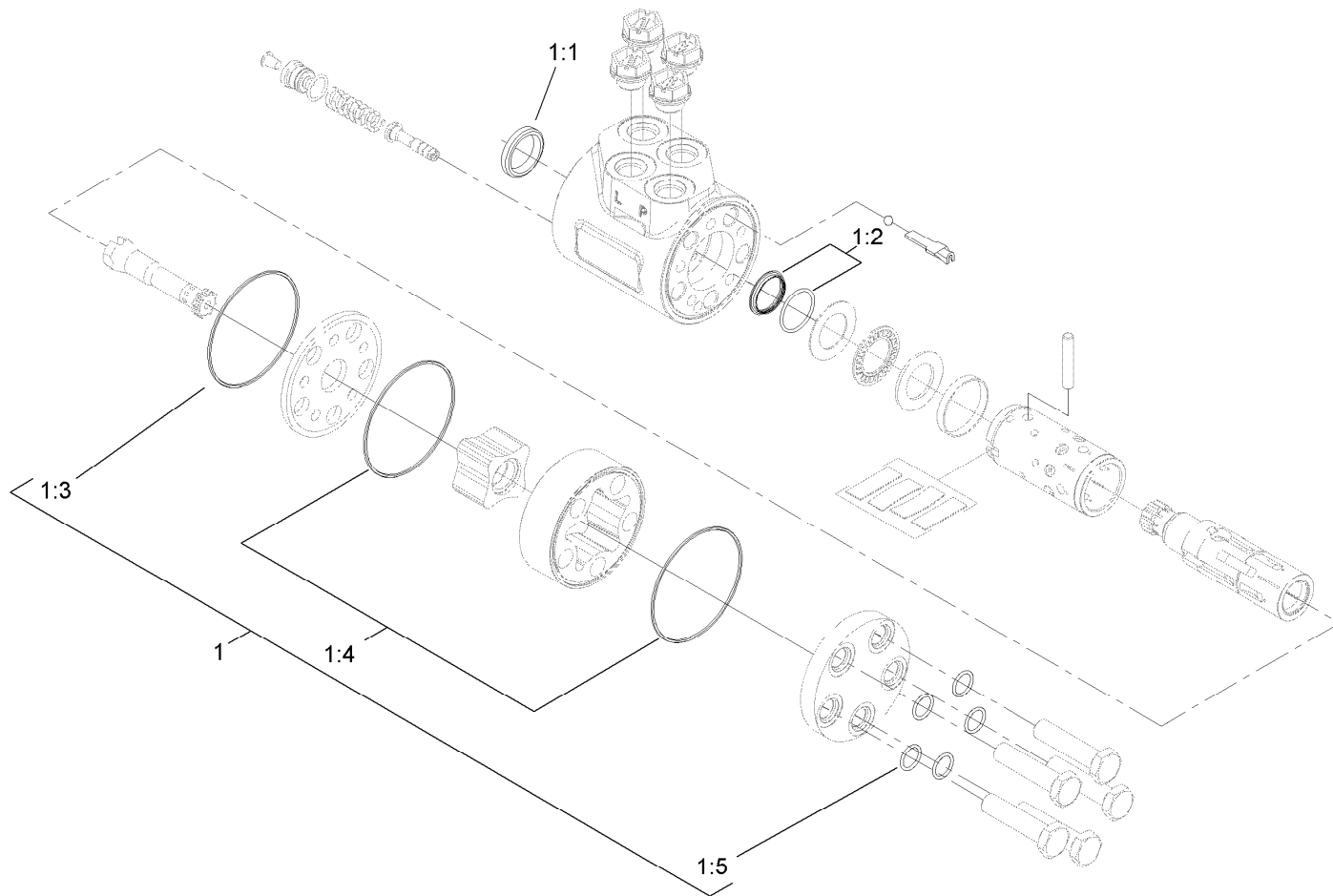
Ref.	Part Number	Qty.	Description	Ref.	Part Number	Qty.	Description
1	98-1459	1	Decal	22	92-7530	1	LH Brake Cable ASM
2	3296-33	1	Nut-Lock, NI	23	92-7529	1	RH Brake Cable ASM
3	3256-27	1	Washer-Flat	24	63-7880	1	Pin-Latch, Brake
4	98-1471	1	Wheel-Steering	25	32121-50	1	Pin-Spring
4:1	98-1468	1	Cover-Wheel, Steering	26	3272-10	2	Pin-Cotter
5	93-5429	1	Collar-Foam	27	3290-378	1	Tie-Cable
6	106-3622	1	Steering Tilt Column ASM	28	99-7963-03	1	Pedal-Park
7	105-2409	4	Screw-HSH	29	3234-13	2	Screw-HHF
8	3274-7	4	Screw-HSH	30	99-7140	1	Spring-Torsion
9	104-8301	4	Nut-Flange, NI	31	115-4417	1	Rod-Brake Pawl
10	3234-11	4	Screw-HHF	32	119-0002	1	Pawl-Brake
11	115-4379-01	1	Brace-Column	33	119-0001	1	Detent-Brake
12	114-8119	1	Steering Valve ASM	34	323-12	1	Screw-HH
13	52-2891	2	Bushing-Flanged, Nylon	35	3296-2	1	Nut-Lock, NI
14	340-2	5	Fitting-HYD, Straight	36	3229-34	1	Screw-CARR
14:1	237-22	1	O-Ring	37	100-1270	1	Switch-Proximity
14:2	237-42	1	O-Ring	38	100-4872	1	Plate-Switch, Neutral
15	112-4576	4	Nut-Clip, U	39	104-8301	1	Nut-Flange, NI
16	75-1470	1	Pin-Pivot, Brake	40	106-7794-01	2	Plate-Mount, HYD Fitting
17	3256-69	3	Washer-Flat	41	322-3	10	Screw-HH
18	119-0005	1	RH Brake Pedal ASM	42	3256-22	3	Washer-Flat
18:2	256-42	2	Bushing	43	256-236	2	Bearing-Mount, Flange
18:3	302-5	1	Fitting-Grease	44	32128-20	10	Nut-HF
19	115-4421-03	1	LH Brake Pedal ASM	45	3272-5	3	Pin-Cotter
20	32121-16	1	Pin-Spring	46	117-4763	1	Decal-Brake
21	283-58	2	Pin-Clevis				



Steering Tilt Column Assembly No. 106-3622

<i>Ref.</i>	<i>Part Number</i>	<i>Qty.</i>	<i>Description</i>
1	110-6462	1	Bellows-Rubber
2	110-6463	1	Cylinder Service Kit
2:1		1	Cylinder-Gas ●
2:2		1	Block-Pedal ●
2:3		2	Bolt ●
2:4		1	Pin ●
2:5		2	Washer-Lock ●
3	110-6464	1	Pedal Service Kit
3:1		1	Pedal ●
3:2		1	Pin ●
3:3		1	Spring ●
4	110-6465	1	Cover-Pedal

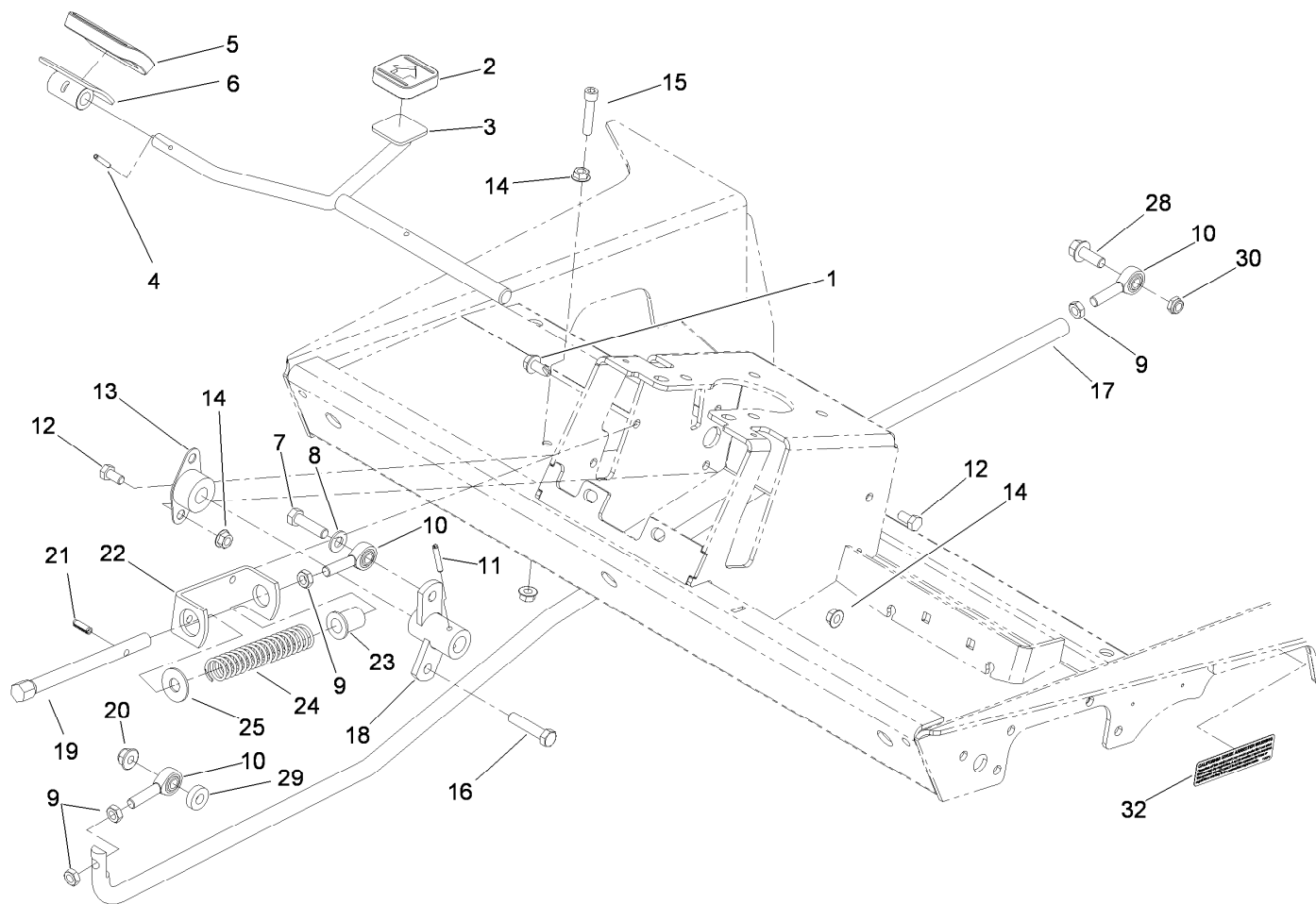
● Not serviced separately



Steering Valve Assembly No. 114-8119

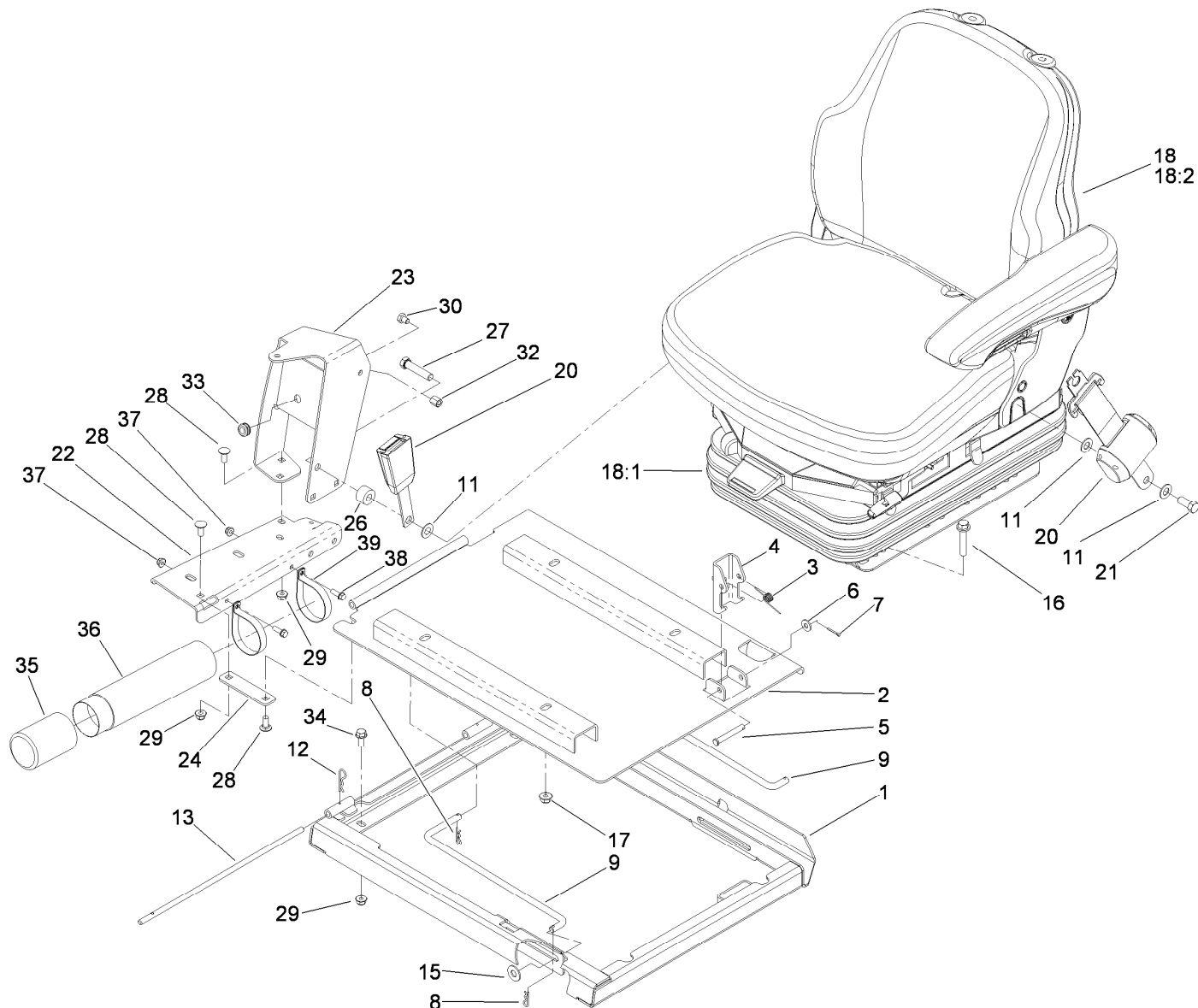
<i>Ref.</i>	<i>Part Number</i>	<i>Qty.</i>	<i>Description</i>
1	106-6716	1	Seal Kit
1:1		1	Ring-Seal, Dust ●
1:2		1	Seal-Shaft ●
1:3		1	O-Ring ●
1:4		2	O-Ring ●
1:5		5	O-Ring ●

● Not serviced separately



Traction Pedal Assembly

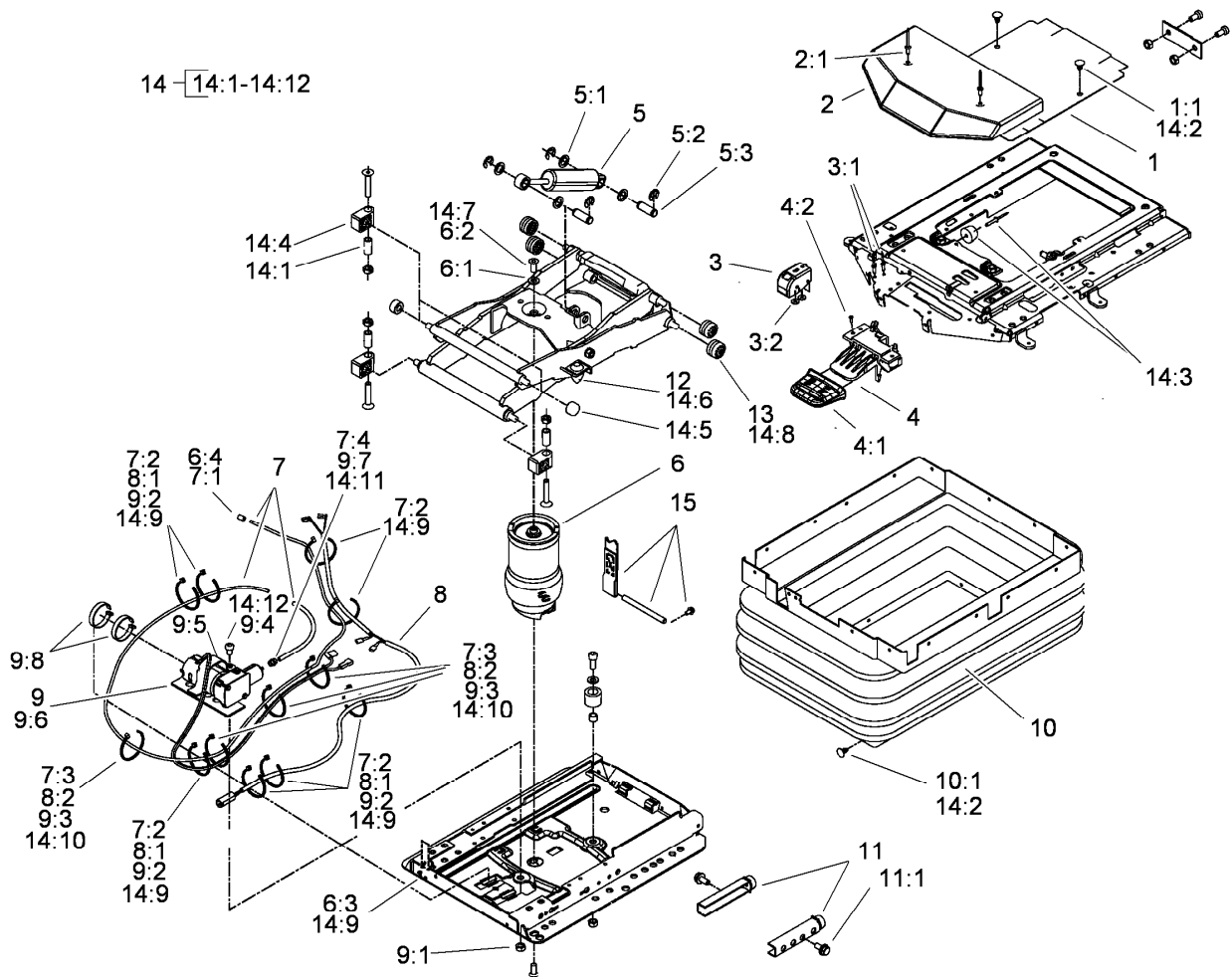
<i>Ref.</i>	<i>Part Number</i>	<i>Qty.</i>	<i>Description</i>	<i>Ref.</i>	<i>Part Number</i>	<i>Qty.</i>	<i>Description</i>
1	32104-32	2	Screw-HWH	16	323-8	1	Screw-HH
2	74-9110	1	Pad-Pedal, Reverse	17	117-4794-03	1	Rod-Traction
3	75-2970	1	Pedal-Traction	18	115-4380-03	1	Traction Hub Pivot ASM
4	32121-45	1	Pin-Spring	19	115-4383	1	Shaft-Spring
5	74-9100	1	Pad-Pedal, Forward	20	104-8301	2	Nut-Flange, NI
6	49-6440-03	1	Pedal-Forward	21	32121-11	1	Pin-Roll
7	323-29	1	Screw-HH	22	92-7608-03	1	Bracket-Spring
8	3256-24	1	Washer-Flat	23	92-7610	1	Retainer-Spring
9	3220-3	4	Nut-HJ	24	84-9100	1	Spring
10	2411-36	3	Bearing-End, Rod	25	3256-5	1	Washer-Flat
11	32121-6	1	Pin-Roll, Slotted	28	3234-11	1	Screw-HHF
12	322-2	4	Screw-HH	29	5-0652	1	Spacer
13	256-236	2	Bearing-Mount, Flange	30	3296-59	1	Nut-Lock, NI
14	32128-20	6	Nut-HF	32	117-2718	1	Decal-Arrester, Spark
15	3274-83	1	Screw-HSH				



Seat and Frame Assembly

Ref.	Part Number	Qty.	Description	Ref.	Part Number	Qty.	Description
1	115-4400-03	1	Seat Frame ASM	20	110-0413	1	Seatbelt-Retractable
2	115-4411-03	1	Seat Plate ASM	21	3212-4	1	Screw-HH
3	104-4821	1	Spring-Torsion	22	119-0000-03	1	Channel-Support
4	115-4423-03	1	Latch-Seat Plate	23	117-4798-03	1	Support Arm ASM
5	110-0618	1	Pin-Clevis	24	112-7449-03	1	Bracket-Support
6	3256-2	1	Washer-Flat	26	17-7190	1	Spacer-Finger
7	3272-6	1	Pin-Cotter	27	3212-8	1	Screw-HH
8	3290-307	4	Pin-Hair	28	3230-23	6	Screw-CARR
9	117-4797-03	2	Rod-Seat Frame	29	104-8300	9	Nut-Flange, NI
11	3256-25	3	Washer-Flat	30	108-8646	1	Screw-HH, Lock
12	3290-467	1	Pin-Hair	32	112-7405	1	Nut-Hex, Coupling
13	75-3400	1	Shaft-Pivot, Seat	33	237-136	1	Grommet
15	3256-4	2	Washer-Flat	34	3234-47	4	Screw-HHF
16	66-9302	4	Screw-HHF, Whiz	35	104-7048	1	Cap-Housing
17	104-8301	4	Nut-Flange, NI	36	104-7050	1	Tube-Manual
18		1	Seat/Suspension ASM ●	37	104-7201	2	Tub-HF
18:1	108-1488	1	Seat Suspension ASM	38	32105-15	2	Screw
18:2	117-5676	1	Premium Seat ASM	39	107-1865	2	R-Clamp

● Not serviced separately

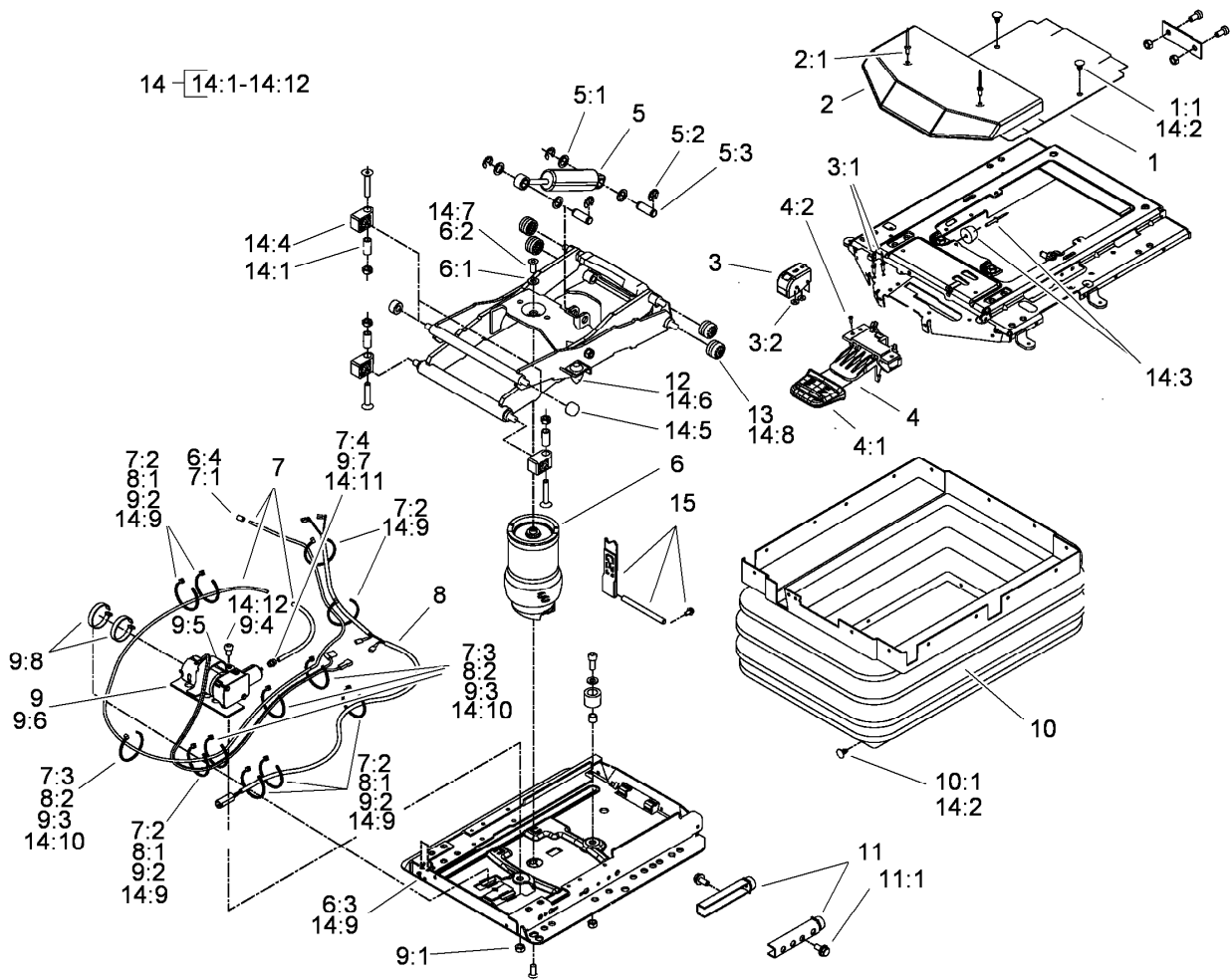


Air Ride Seat Suspension Assembly No. 108-1488

Ref.	Part Number	Qty.	Description	Ref.	Part Number	Qty.	Description
1	108-8026	1	Cover ASM	8:2		4	Tie-Wire ■
1:1	39-5710	2	Plug-Plastic	9	108-8034	1	Compressor Kit
2	108-8027	1	Cover ASM	9:1		1	Nut ■
2:1		2	Rivet ■	9:2		5	Tie-Wire ■
3	108-8028	1	Level Control Kit	9:3		4	Tie-Wire ■
3:1		2	Rivet ■	9:4		1	Screw ■
3:2		2	Washer ■	9:5		1	Compressor ■
4	108-8029	1	Air Control Valve ASM	9:6		1	Plate-Mounting ■
4:1		1	Handle ■	9:7		1	Nipple-Hose ■
4:2		3	Screw ■	9:8		2	Clamp ■
5	108-8030	1	Shock Absorber Kit	10	108-8035	1	Bellows ASM
5:1		4	Washer ■	10:1	39-5710	23	Plug-Plastic
5:2		4	C-Clip ■	11	108-8036	1	Stop Kit
5:3		2	Pin ■	11:1		2	Screw ■
6	108-8031	1	Air Spring Kit	12	107-1213	2	Bumper Set
6:1		1	Washer ■	13	108-8037	4	Roller
6:2		2	Screw ■	14	108-8038	1	Wear Parts Kit ●
6:3		1	Tie-Wire ■	14:1		4	Spacer ■
6:4		1	Nipple-Hose ■	14:2	39-5710	2	Plug-Plastic
7	108-8032	1	Air Tube ASM	14:3		1	Bumper ■
7:1		1	Nipple-Hose ■	14:4		4	Support-Housing ■
7:2		7	Tie-Wire ■	14:5		2	Roller ■
7:3		4	Tie-Wire ■	14:6	107-1213	2	Bumper Set
7:4		1	Nipple-Hose ■	14:7		2	Screw ■
8	108-8033	1	Connecting Cable ASM	14:8	108-8037	4	Roller
8:1		8	Tie-Wire ■	14:9		9	Tie-Wire ■

● Not illustrated

■ Not serviced separately



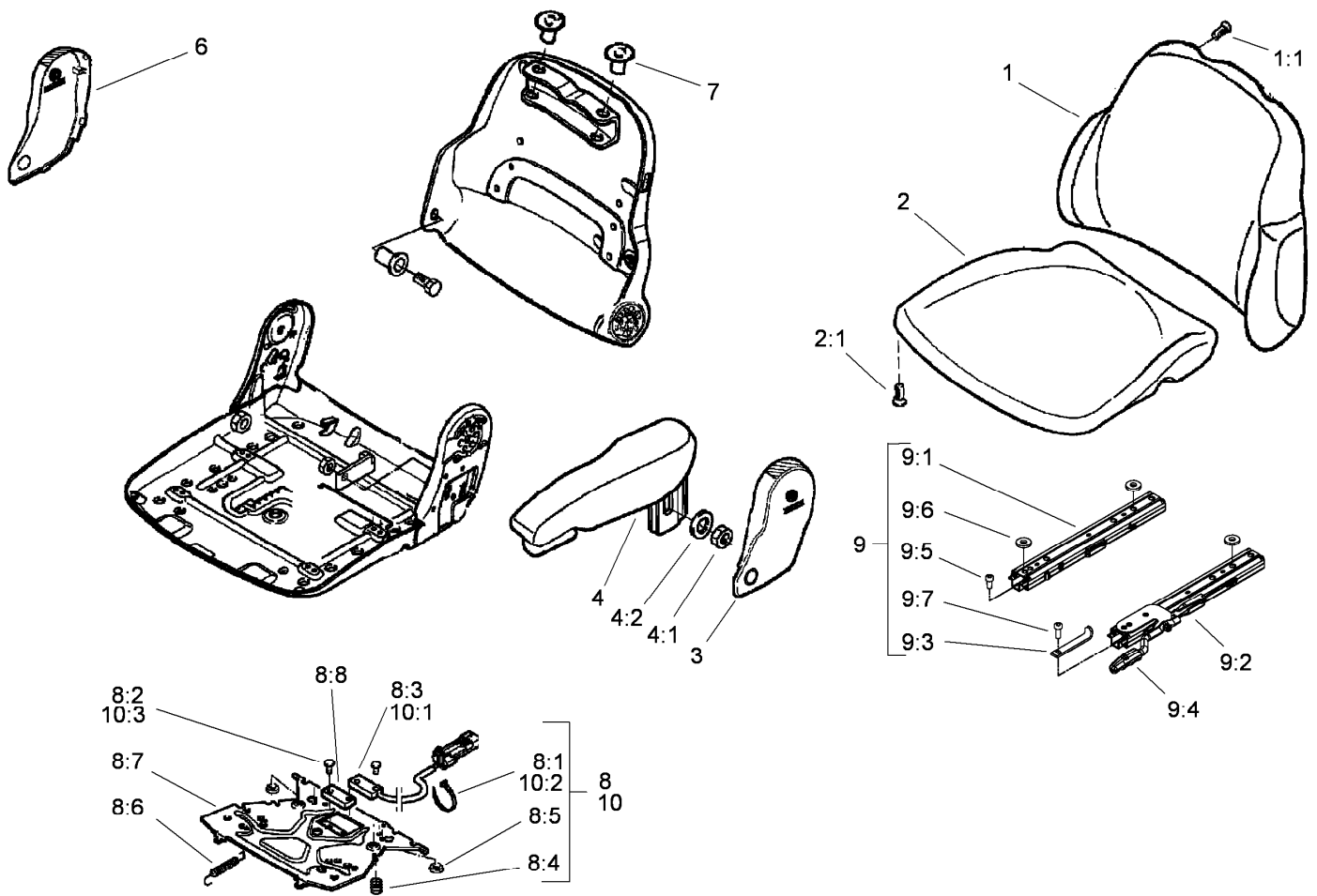
Air Ride Seat Suspension Assembly No. 108-1488 (continued)

Ref.	Part Number	Qty.	Description
14:10		4	Tie-Wire ■
14:11		1	Nipple-Hose ■

Ref.	Part Number	Qty.	Description
14:12		1	Screw ■
15	119-2161	1	Tether Kit

● Not illustrated

■ Not serviced separately

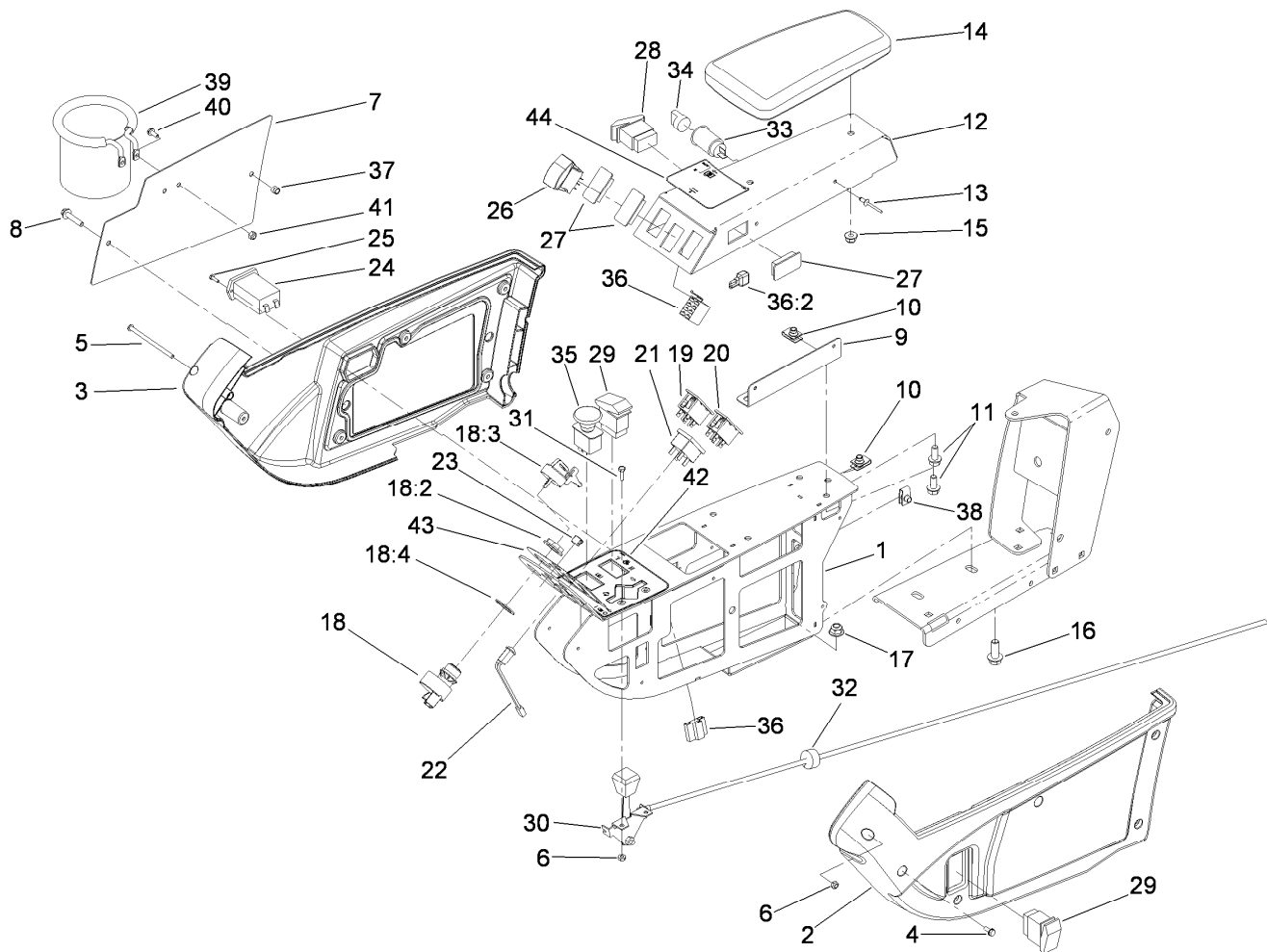


Premium Seat Assembly No. 117-5676

Ref.	Part Number	Qty.	Description
1	108-8016	1	Backrest Cushion ASM
1:1		3	Screw ●
2	108-8017	1	Seat Cushion ASM
2:1		4	Screw ●
3	108-8018	1	Cover-Armrest
4	108-8019	1	LH Armrest ASM
4:1	82-9650	1	Nut
4:2	107-1198	1	Washer
6	108-8021	1	Cover-Armrest
7	108-8022	2	Cover-Black
8	108-8024	1	Switch Kit
8:1		3	Wire Tie ●
8:2		4	Rivet ●
8:3		1	Switch ●
8:4		2	Spring ●
8:5		2	Bumper ●

Ref.	Part Number	Qty.	Description
8:6		1	Spring-Return ●
8:7		1	Plate-Mounting ●
8:8		1	Magnet ●
9	108-8025	1	Adjustment Rail Set
9:1		1	Rail-Adjustment, RH ●
9:2		1	Rail-Adjustment, LH ●
9:3		1	Stop-Rail ●
9:4		1	Handle ●
9:5		3	Screw ●
9:6		3	Washer ●
9:7		1	Screw ●
10	110-6189	1	Switch Kit
10:1		1	Switch ●
10:2		3	Wire Tie ●
10:3		2	Rivet ●

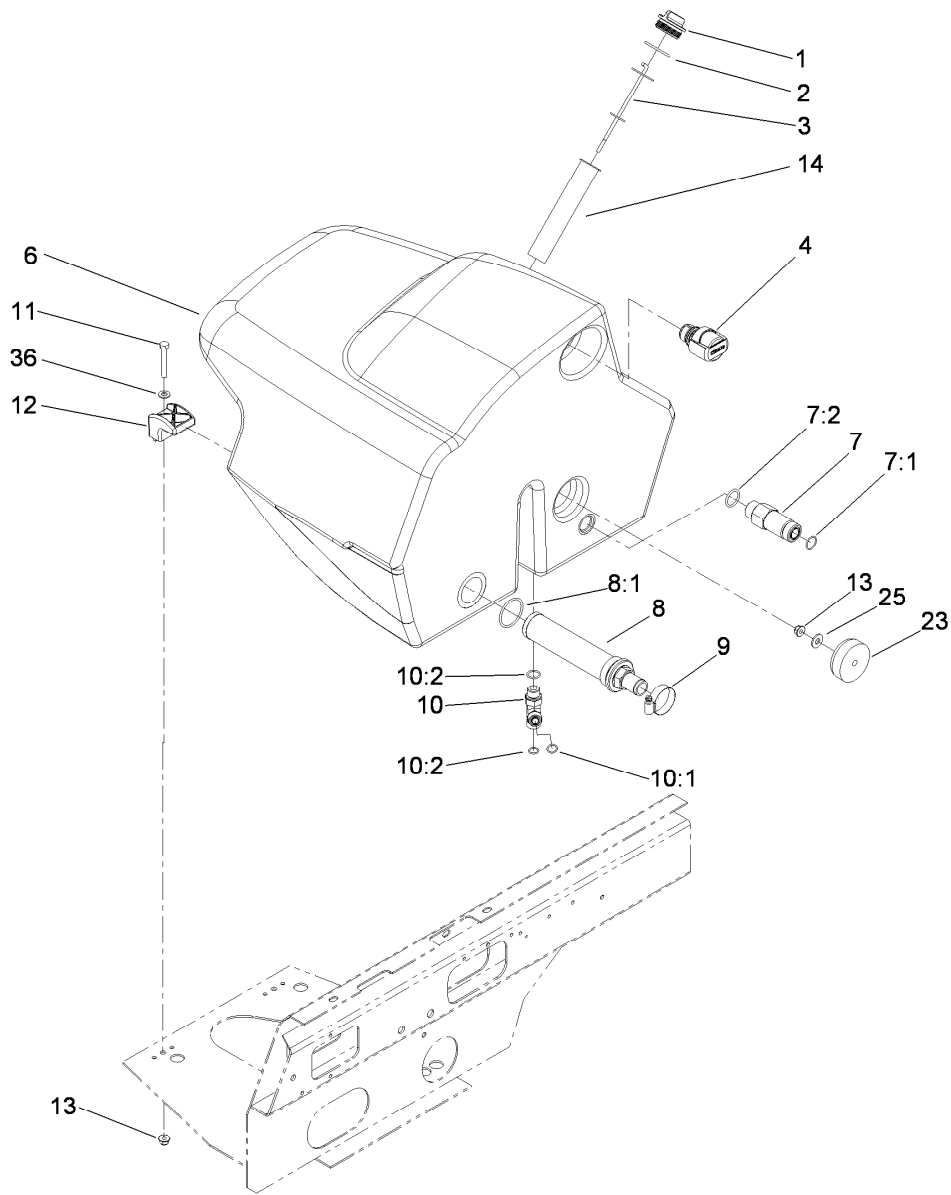
● Not serviced separately



Control Console Assembly

Ref.	Part Number	Qty.	Description
1	115-4430-03	1	Control Arm Frame ASM
2	108-7604	1	Cover-LH
3	108-7605	1	Cover-RH
4	32144-112	10	Screw-HWH
5	3250-22	1	Screw-PPH
6	3296-12	3	Nut-Lock, NI
7	115-8849-03	1	Plate-Cover
8	3234-21	2	Screw-HHF
9	112-7404	1	Angle-Mounting
10	94-2413	5	U-Nut
11	3234-5	5	Screw-HHF
12	117-2380-03	1	Panel-Switches, Control Arm
13	3290-409	2	Rivet
14	108-7602	1	Rest-Arm
15	104-8300	2	Nut-Flange, NI
16	3234-42	2	Screw-HHF
17	104-8301	2	Nut-Flange, NI
18	106-5269	1	Ignition Switch ASM
18:2	108-8660	1	Nut-Mounting
18:3	106-5270	1	Key Set-Ignition
18:4	108-8659	1	Washer-Backup
19	100-8070	1	Lamp-Warning
20	100-8071	1	Lamp-Warning
21	110-0941	1	Gauge-Temperature

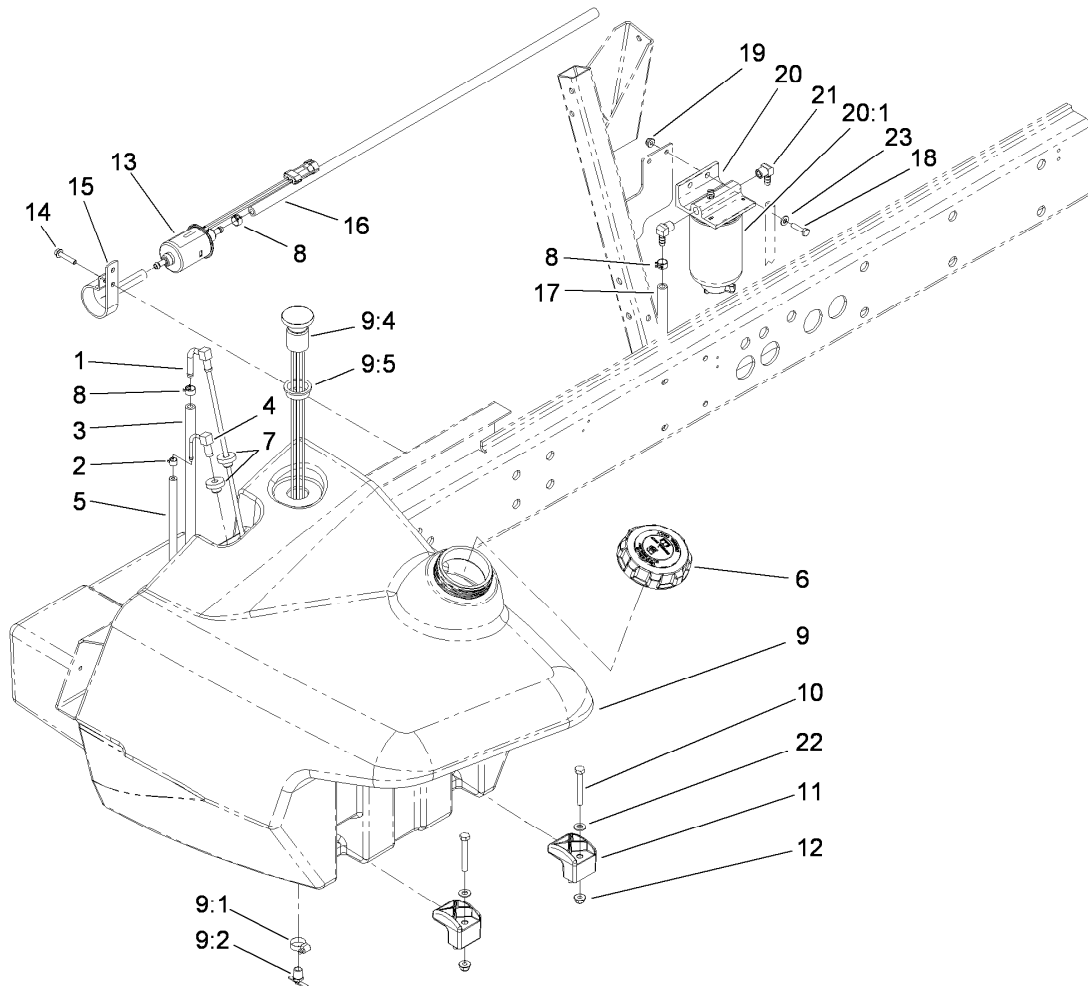
Ref.	Part Number	Qty.	Description
22	95-7652	1	Light-Indicator
23	2410-64	1	Plug-Button
24	75-6820	1	Hourmeter
25	32144-18	2	Screw-HH
26	100-1535	1	Switch
27	99-7420	3	Plug-Hole
28	106-2027	1	Switch-Intermittent
29	95-8999	2	Switch
30	115-9117	1	Cable-Throttle
31	3290-134	2	Screw
32	110-8911	1	Seal-Foam
33	99-7411	1	Point-Power
34	99-7416	1	Cap
35	93-9999	1	Switch-PTO
36	115-9104	1	Harness-Seat/Console
36:2	104-4022	1	Resistor-75 Ohm
37	110-0542	2	Spacer-Flange
38	107069	2	Clip
39	117-2378	1	Holder-Bag
40	3290-321	2	Screw-HWH
41	3296-2	2	Nut-Lock, NI
42	117-2384	1	Decal-Console, Lower
43	117-2385	1	Decal-Console, Upper
44	117-2386	1	Decal-Lift



Hydraulic Filter and Reservoir Assembly

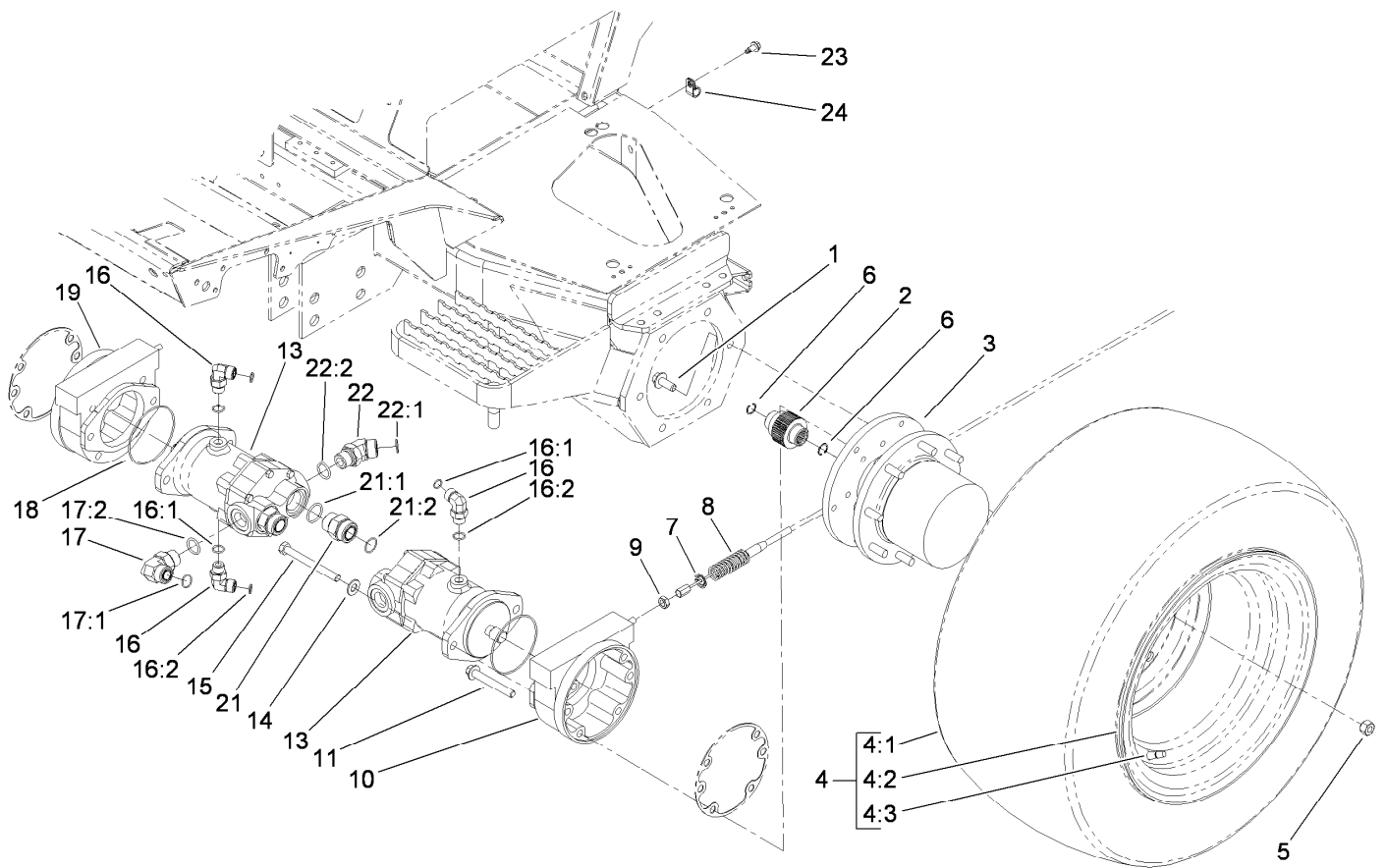
<i>Ref.</i>	<i>Part Number</i>	<i>Qty.</i>	<i>Description</i>
1	93-7498	1	Plug-Plastic
2	237-101	1	O-Ring
3	94-9411	1	Dipstick
4	115-9793	1	Breather
6	119-0017	1	Tank-HYD
7	92-6058	1	Fitting-HYD
7:1	237-81	1	O-Ring
7:2	237-58	1	O-Ring
8	104-7546	1	Strainer-Tank
8:1	340-136	1	O-Ring
9	2412-111	2	Clamp

<i>Ref.</i>	<i>Part Number</i>	<i>Qty.</i>	<i>Description</i>
10	340-109	1	Fitting-HYD, Tee
10:1	237-79	1	O-Ring
10:2	237-30	2	O-Ring
11	322-11	2	Screw-HH
12	107-4543	2	Clamp
13	104-8300	3	Nut-Flange, NI
14	61-2790	1	Filter-Screen
23	108-1605	1	Bumper-Recess
25	3256-3	1	Washer-Flat
36	3256-23	2	Washer-Flat



Fuel Tank and Filter Assembly

<i>Ref.</i>	<i>Part Number</i>	<i>Qty.</i>	<i>Description</i>	<i>Ref.</i>	<i>Part Number</i>	<i>Qty.</i>	<i>Description</i>
1	115-4354	1	Tube-Suction, Fuel	11	107-4543	2	Clamp
2	2412-80	2	Clamp-Line, Fuel	12	104-8300	2	Nut-Flange, NI
3	110-3257	1	Hose-Fuel	13	110-8806	1	Pump-Fuel
4	104-5605	1	Fitting-Return	14	32144-110	1	Screw-HWH
5	110-0471	1	Hose-Fuel	15	110-8817	1	Bracket-Pump, Fuel
6	114-5062	1	Cap-Biodiesel	16	109-0309	1	Hose-Fuel
7	46-6560	2	Bushing	17	110-4109	1	Hose-Fuel
8	92-2379	6	Clamp-Hose	18	321-6	2	Screw-HH
9	115-4353	1	Fuel Tank ASM	19	104-7201	2	Nut-HF
9:1	2412-36	1	Clamp-Hose	20	110-9044	1	Filter-Seperator
9:2	304-46	1	Draincock	20:1	110-9049	1	Filter-Spin On
9:4	117-4790	1	Guage-Fuel	21	353-781	2	Fitting-Elbow
9:5	95-8972	1	Grommet	22	3256-23	2	Washer-Flat
10	322-11	2	Screw-HH	23	3256-22	2	Washer-Flat

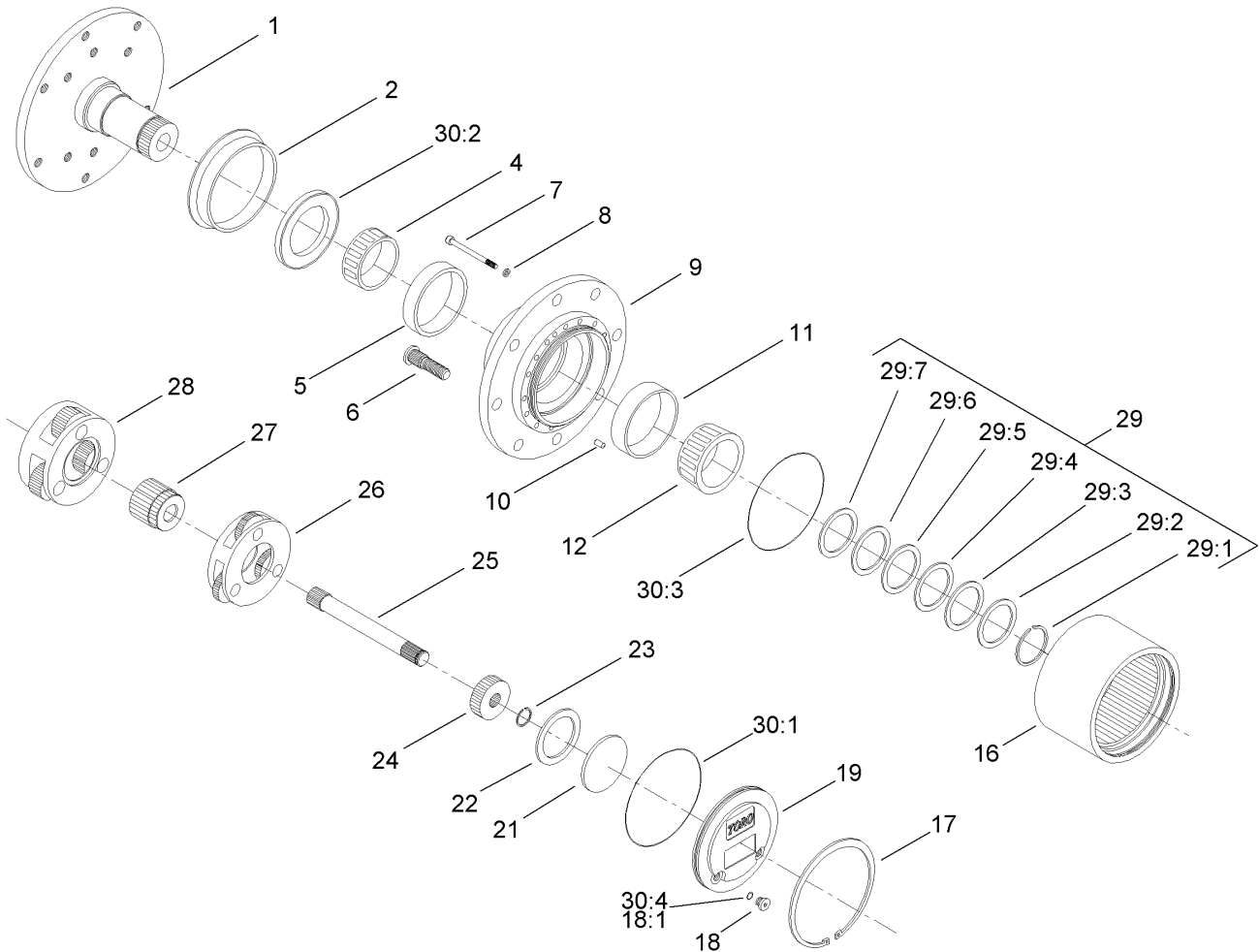


Front Drive and Brake Assembly

Ref.	Part Number	Qty.	Description
1	33106-030	12	Screw-HHF
2	100-3046	2	Shaft-Brake, Splined
3	105-4500-03	2	Planetary ASM
4		2	Wheel And Tire ASM ●
4:1	95-3465	1	Tire
4:2	114-8114	1	Rim (15X12-8)
4:3	232-24	1	Stem-Valve
5	92-7483	16	Nut-Lug
6	93-7972	4	Ring-Retaining, Internal
7	94-3050	2	Plate-Spring
8	94-3088	2	Spring-Compression
9	3218-4	2	Nut-Jam
10	100-3070-03	1	Brake ASM
11	33106-090	8	Screw-HHF
13	105-1218	2	Piston Motor ASM
14	3256-26	4	Washer-Flat
15	33116-120	4	Screw-HH

Ref.	Part Number	Qty.	Description
16	340-98	3	Fitting-HYD, 90 DEG
16:1	237-79	1	O-Ring
16:2	237-30	1	O-Ring
17	340-142	2	Fitting-HYD, 90 DEG
17:1	237-58	1	O-Ring
17:2	237-81	1	O-Ring
18	237-166	2	O-Ring
19	100-3069-03	1	Brake ASM
21	104-3797	4	Fitting-HYD, Straight
21:1	237-146	1	O-Ring
21:2	340-65	1	O-Ring
22	100-5530	2	Fitting-HYD, 45 DEG
22:1	237-58	1	O-Ring
22:2	237-81	1	O-Ring
23	32104-32	2	Screw-HWH
24	2412-93	2	Clamp-R

● Not serviced separately

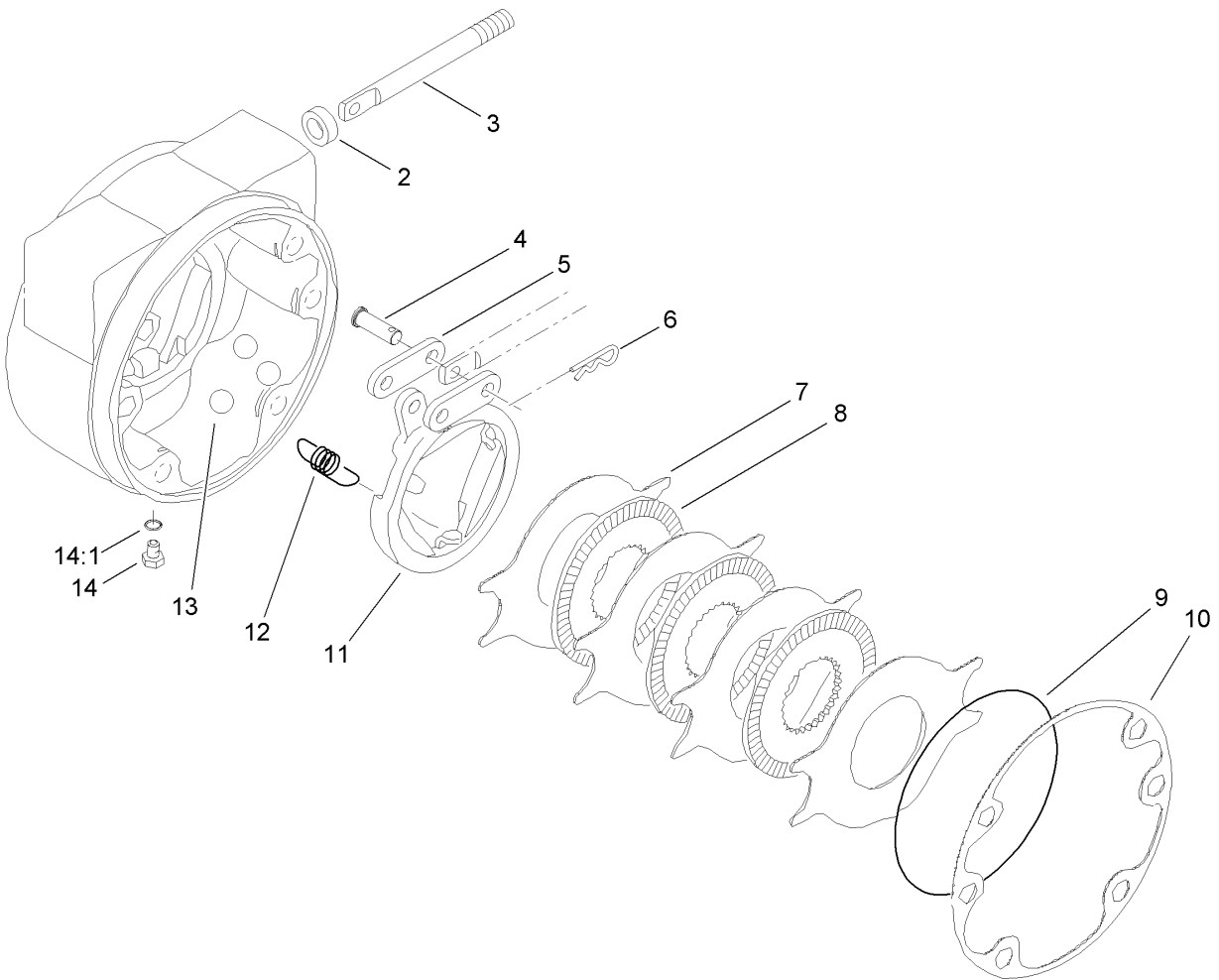


Planetary Assembly No. 105-4500-03

Ref.	Part Number	Qty.	Description	Ref.	Part Number	Qty.	Description
1		1	Spindle ■	24	105-8114	1	Gear-Primary
2	105-8122	1	Seal-Boot	25	105-8115	1	Shaft-Drive
4	105-8120	1	Bearing-Cone	26	105-8129	1	Primary Carrier ASM
5	105-8119	1	Bearing-Cup	27	105-8139	1	Gear-Secondary
6	105-8124	8	Stud-Wheel	28	105-8130	1	Secondary Carrier ASM
7	105-8125	16	Bolt-Head, Socket	29	105-8136	1	Shim Kit
8	3253-18	16	Washer-Lock	29:1		1	Ring-Snap ■
9		1	Housing ■	29:2		1	Shim-Bearing, 2.9Mm ■
10	105-8121	1	Pin-Dowel	29:3		1	Shim-Bearing, 2.8Mm ■
11	105-8117	1	Bearing-Cup	29:4		1	Shim-Bearing, 2.7Mm ■
12	105-8118	1	Bearing-Cone	29:5		1	Shim-Bearing, 2.6Mm ■
16	105-8113	1	Gear-Ring	29:6		1	Shim-Bearing, 2.5Mm ■
17	105-8132	1	Ring-Retaining	29:7		1	Shim-Bearing, 2.4Mm ■
18	353-990	2	Plug	30	105-8137	1	Seal Kit ●
18:1	237-78	1	O-Ring	30:1		1	O Ring-Flange Cap ■
19	105-8138	1	Cap-End	30:2		1	Seal-Oil ■
21	105-8133	1	Plug-Thrust	30:3		2	O Ring-End Cap ■
22	105-8123	1	Washer-Thrust	30:4	237-78	2	O-Ring
23	105-8131	1	Ring-Retaining				

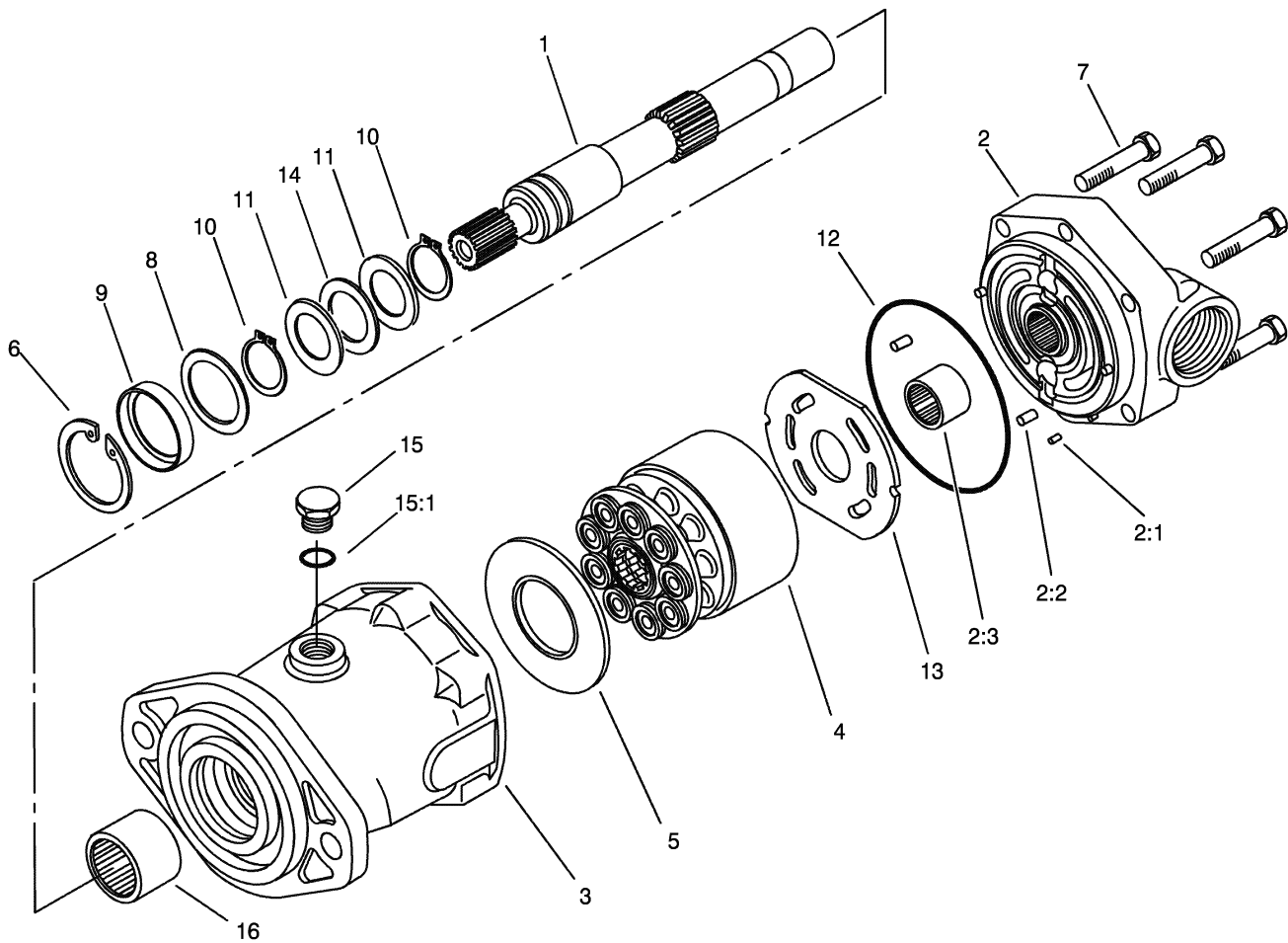
● Not illustrated

■ Not serviced separately



Brake Assembly No. 100-3070-03

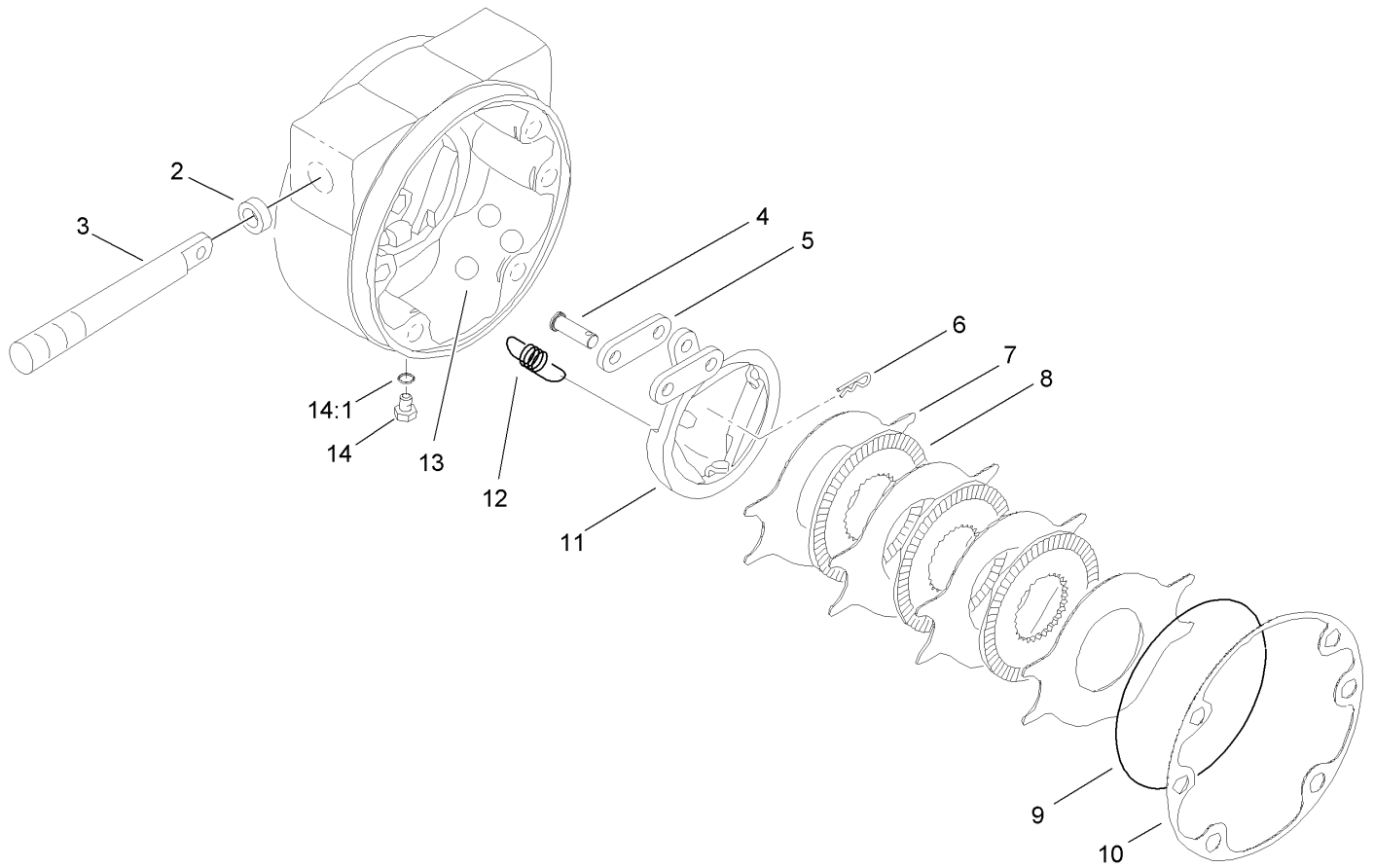
<i>Ref.</i>	<i>Part Number</i>	<i>Qty.</i>	<i>Description</i>
2	93-7977	1	Seal
3	93-7978	1	Rod-Pull
4	93-7983	2	Pin-Clevis
5	93-7980	2	Link
6	93-7979	2	Pin-Hitch
7	93-7986	4	Disc-Stationary
8	104-4278	3	Disc-Rotating
9	93-7976	1	Ring-Retaining
10	93-7984	1	Gasket
11	104-4279	1	Actuator-Rotating
12	93-7987	3	Spring-Extension
13	93-7985	3	Ball
14	353-990	2	Plug
14:1	237-78	1	O-Ring



Piston Motor Assembly No. 105-1218

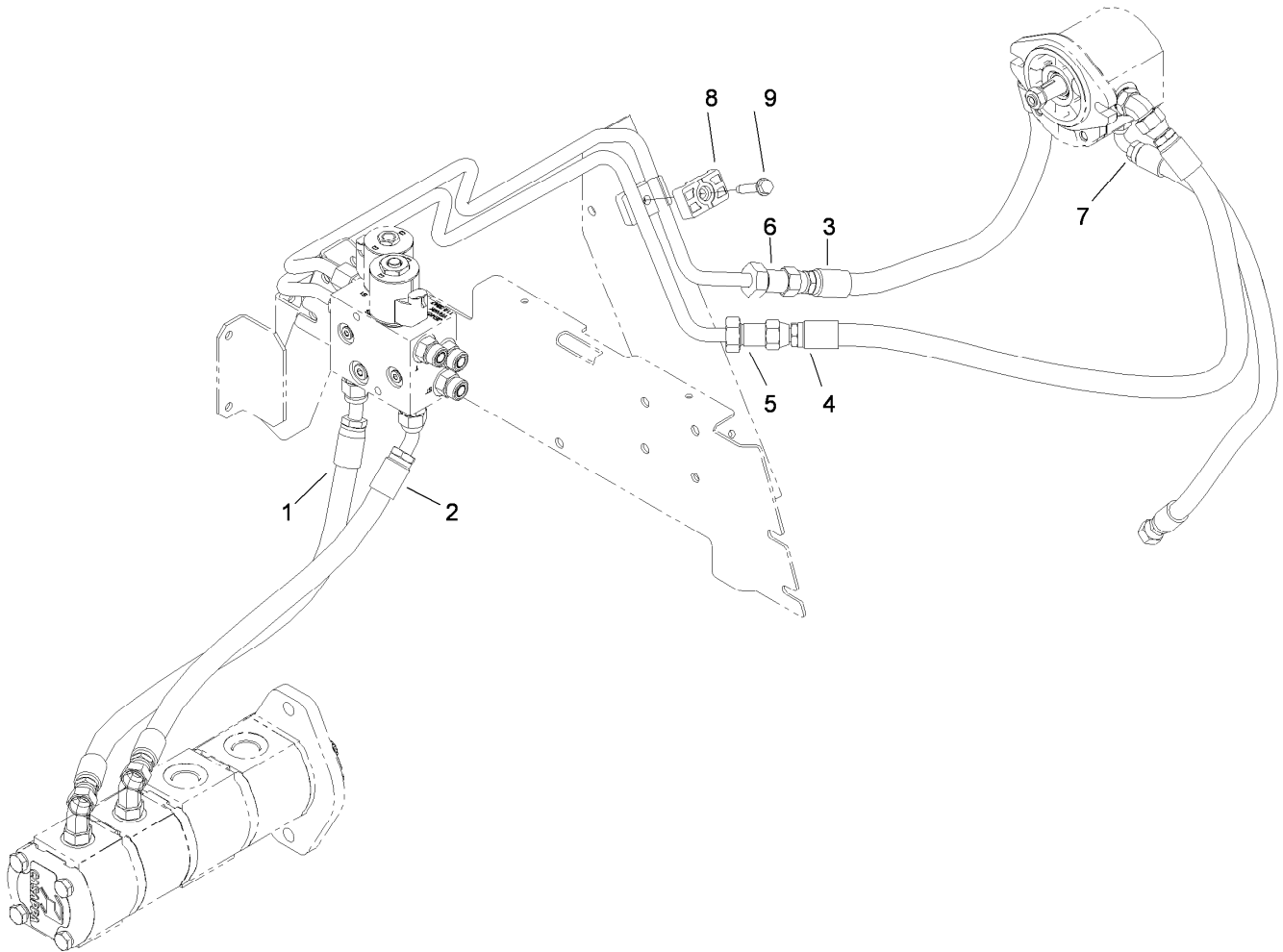
Ref.	Part Number	Qty.	Description
1	94-3004	1	Shaft-Drive, Splined
2	105-2851	1	Backplate ASM
2:1		3	Pin-Dowel ●
2:2		1	Pin-Dowel ●
2:3		1	Bearing-Needle ●
3		1	Housing ●
4	76-6910	1	Rotating Kit
5	76-6970	1	Insert-Plate, Cam
6	60-6260	1	Ring
7	94-3002	6	Capscrew
8	60-6240	1	Washer
9	105-3331	1	Seal-Shaft
10	76-7000	2	Ring-Retaining
11	76-6950	2	Race-Thrust
12	76-6980	1	O-Ring
13	94-3003	1	Plate-Valve
14	76-6960	1	Bearing-Thrust
15	353-550	1	Plug-HYD, HH
15:1	237-79	1	O-Ring
16	63-4390	1	Bearing-Needle

● Not serviced separately



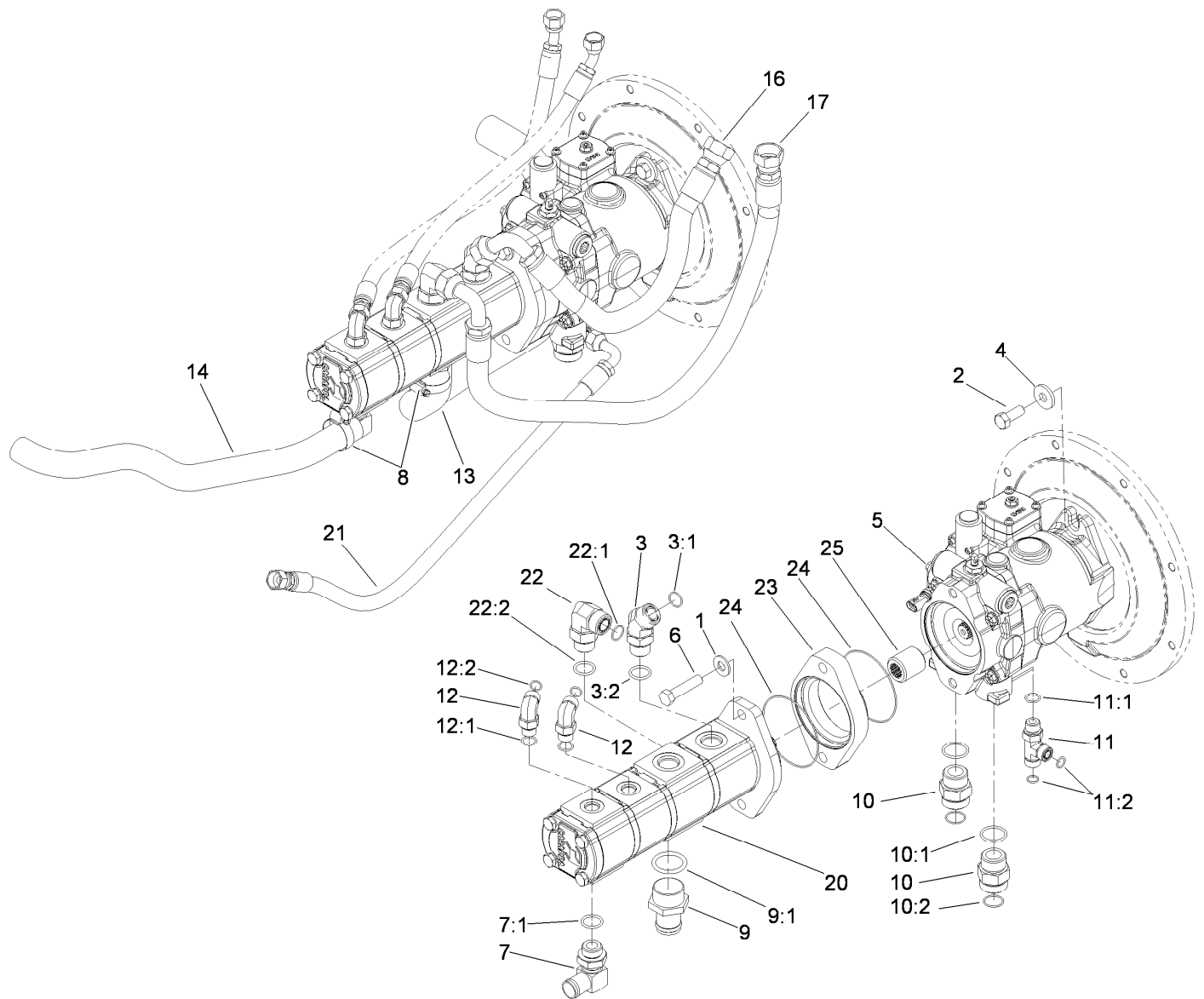
Brake Assembly No. 100-3069-03

<i>Ref.</i>	<i>Part Number</i>	<i>Qty.</i>	<i>Description</i>
2	93-7977	1	Seal
3	93-7978	1	Rod-Pull
4	93-7983	2	Pin-Clevis
5	93-7980	2	Link
6	93-7979	2	Pin-Hitch
7	93-7986	4	Disc-Stationary
8	104-4278	3	Disc-Rotating
9	93-7976	1	Ring-Retaining
10	93-7984	1	Gasket
11	104-4280	1	Actuator-Rotating
12	93-7987	3	Spring-Extension
13	93-7985	3	Ball
14	353-990	2	Plug
14:1	237-78	1	O-Ring



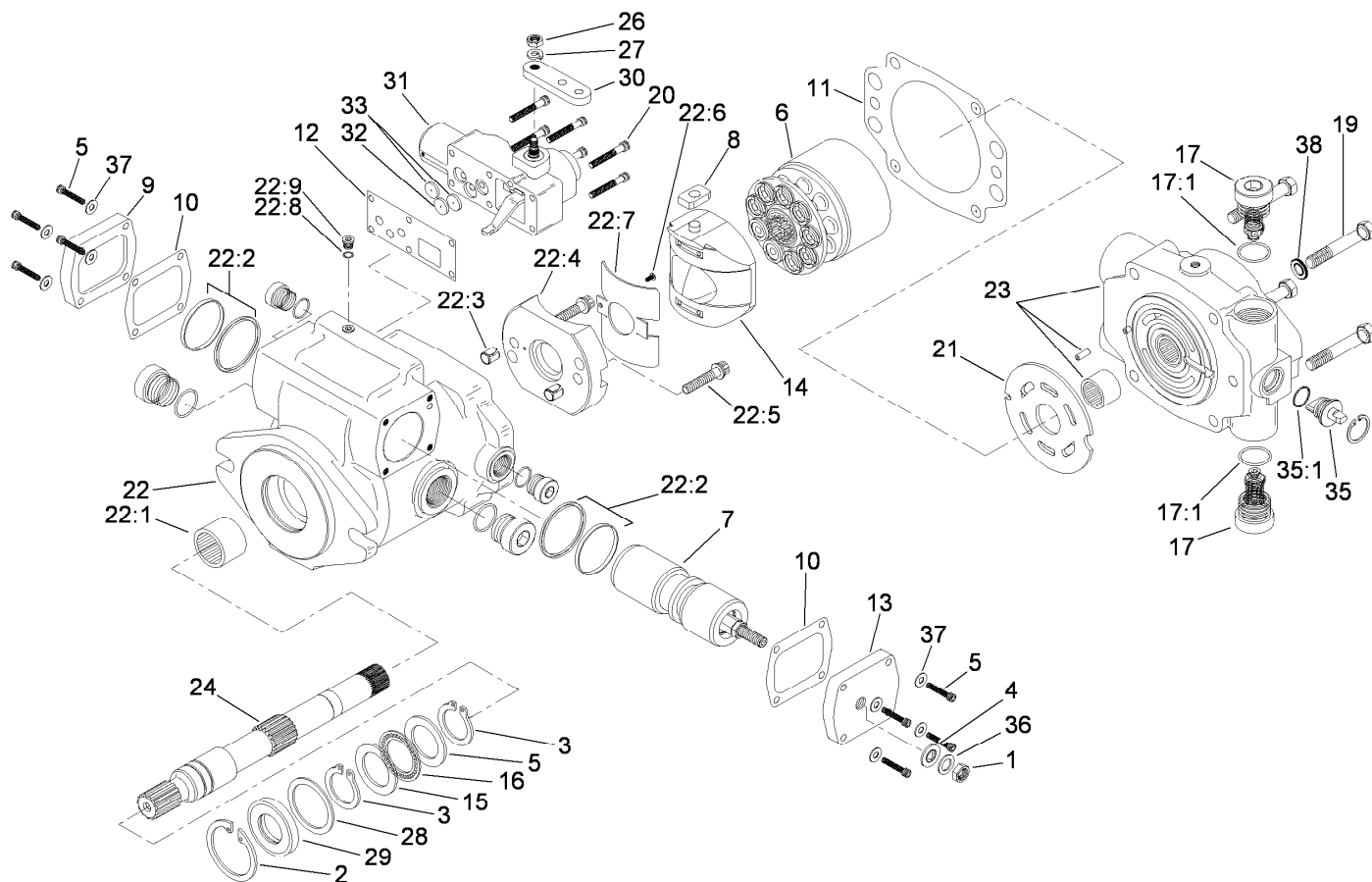
Fan Plumbing Assembly

<i>Ref.</i>	<i>Part Number</i>	<i>Qty.</i>	<i>Description</i>
1	115-4438	1	Hose ASM
2	115-4439	1	Hose ASM
3	92-2406	1	HYD Hose ASM
4	115-9116	1	Hose ASM
5	115-9122	1	Tube-HYD
6	115-9123	1	Tube-HYD
7	115-4434	1	Hose ASM
8	56-7976	2	Clamp-Tube
9	32144-57	1	Screw



Hydraulic Pump Assembly

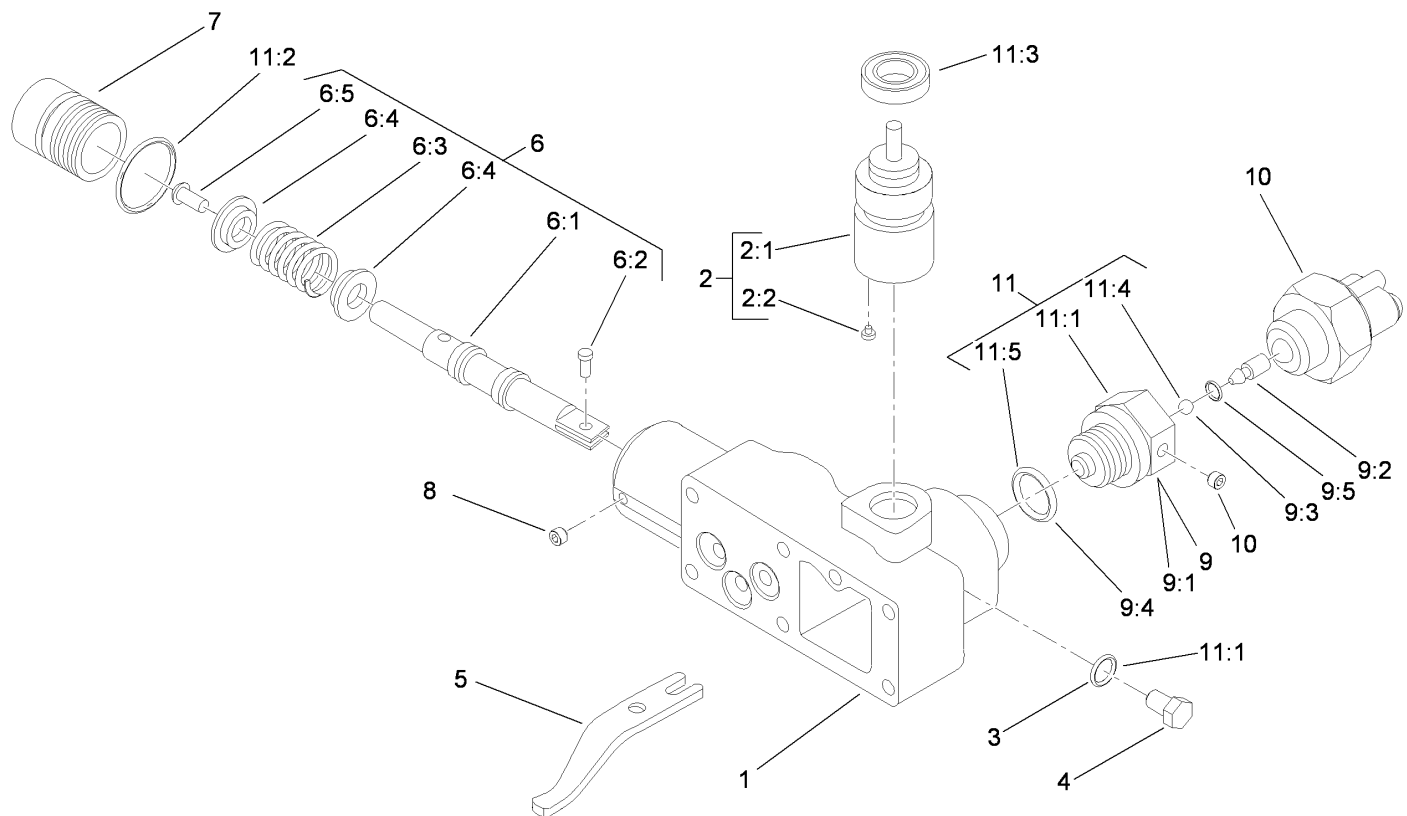
Ref.	Part Number	Qty.	Description	Ref.	Part Number	Qty.	Description
1	87-7270	2	Washer-Thrust	11:1	237-79	1	O-Ring
2	325-5	2	Screw-HH	11:2	237-30	2	O-Ring
3	100-5530	1	Fitting-HYD, 45 DEG	12	340-98	2	Fitting-HYD, 90 DEG
3:1	237-58	1	O-Ring	12:1	237-79	1	O-Ring
3:2	237-81	1	O-Ring	12:2	237-30	1	O-Ring
4	110-6147	2	Washer-Flat	13	115-4449	1	Hose
5	114-4188	1	Piston Pump ASM	14	115-4447	1	Hose-Suction
6	325-9	2	Screw-HH	16	117-4762	1	Hose ASM
7	100-4202	1	Fitting-HYD, 90 DEG	17	115-4384	1	Hose ASM
7:1	237-81	1	O-Ring	20	114-4189	1	4 Section Pump ASM
8	2412-111	2	Clamp	21	105-3985	1	Hose ASM
9	104-5480	1	Fitting-Hose, Straight	22	340-142	1	Fitting-HYD, 90 DEG
9:1	237-123	1	O-Ring	22:1	237-58	1	O-Ring
10	104-3797	2	Fitting-HYD, Straight	22:2	237-81	1	O-Ring
10:1	237-146	1	O-Ring	23	115-3757	1	Spacer-Pump
10:2	340-65	1	O-Ring	24	115-3009	2	O-Ring
11	340-109	1	Fitting-HYD, Tee	25	115-3011	1	Coupler-Pump



Piston Pump Assembly No. 114-4188

Ref.	Part Number	Qty.	Description	Ref.	Part Number	Qty.	Description
1	3220-3	1	Nut-HJ	22:2		2	Seal ASM ●
2	60-6260	1	Ring	22:3		2	Dowel-Bushing ●
3	76-7000	2	Ring-Retaining	22:4		1	Cradle ASM ●
4	94-3027	1	Washer-Seal	22:5		2	Screw ●
5	93-6337	8	Screw	22:6		1	Screw ●
6	105-9851	1	Rotating Kit	22:7		1	Bushing ●
7	105-4572	1	Servo Piston ASM	22:8		1	O-Ring ●
8	94-3032	1	Follower-Piston	22:9		1	Plug ●
9	94-3033	1	Plate-Cover	23	115-4445	1	Endcover Sub ASM
10	93-6339	2	Gasket	24	115-3008	1	Shaft-Drive
11	105-2900	1	Gasket-Housing	26	93-6327	1	Nut
12	105-2901	1	Gasket-Housing, Control	27	3253-3	1	Washer-Lock
13	105-9853	1	Plate-Cover	28	60-6240	1	Washer
14	94-3026	1	Camplate ASM	29	105-3331	1	Seal-Shaft
15	76-6950	2	Race-Thrust	30	110-0036	1	Arm-Control
16	76-6960	1	Bearing-Thrust	31	115-4446	1	Manual Servo Control ASM
17	105-2857	2	Valve-Relief	32	105-2909	1	Orifice-Control, .036 Dia
17:1		1	O-Ring ●	33	94-3041	2	Orifice-Control (.028 Dia)
19	323-45	4	Screw-HH	35	105-2864	1	Valve-Bypass
20	93-6324	6	Screw	35:1		1	O-Ring ●
21	105-9854	1	Plate-Valve	36	94-3030	1	Washer
22	105-9855	1	Housing ASM	37	93-6336	8	Washer
22:1		1	Bearing ●	38	105-9762	4	Washer

● Not serviced separately

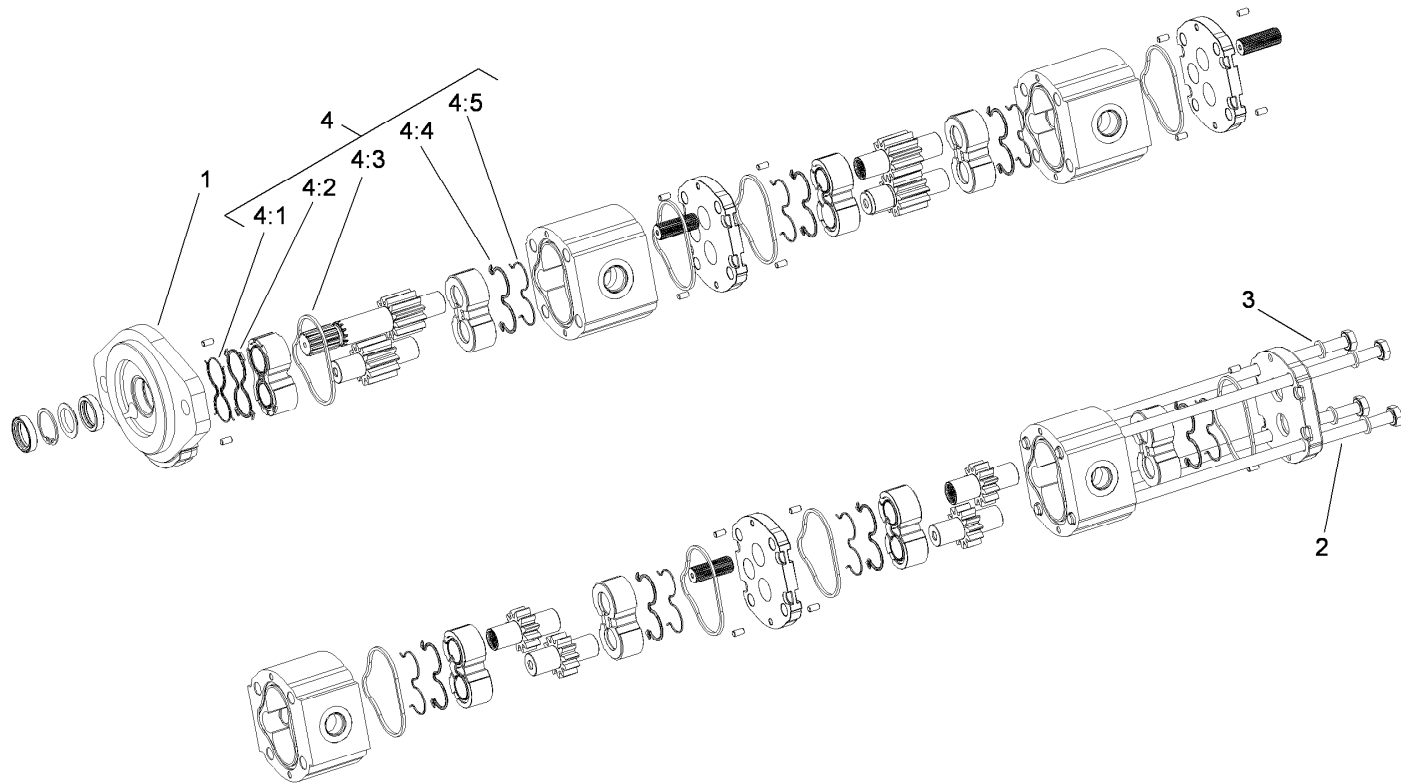


Control Assembly No. 115-4446

Ref.	Part Number	Qty.	Description
1		1	Housing-Control ●
2	108-7099	1	Input Control Shaft ASM
2:1		1	Shaft ●
2:2		1	Pin ●
3		1	O-Ring ●
4		1	Plug ●
5		1	Link-Feedback ●
6	108-7098	1	Valve Spool ASM
6:1		1	Valve-Spool ●
6:2		1	Pin-Dowel ●
6:3		1	Spring ●
6:4		2	Retainer ●
6:5		1	Screw ●
7		1	Plug ●

Ref.	Part Number	Qty.	Description
8		2	Screw-Set ●
9	108-8003	1	Adaptor ASM
9:1		1	Adaptor-Lockout, Neutral ●
9:2		1	Pin ●
9:3		1	Ball ●
9:4		1	O-Ring ●
9:5		1	O-Ring ●
10	115-3795	1	Switch-Neutral
11	94-3044	1	Seal Kit
11:1	117-8979	1	Seal-Shaft
11:2	105-2901	1	Gasket-Housing, Control
11:3		1	O-Ring ●
11:4		1	O-Ring ●
11:5		1	Seal-Wiper ●

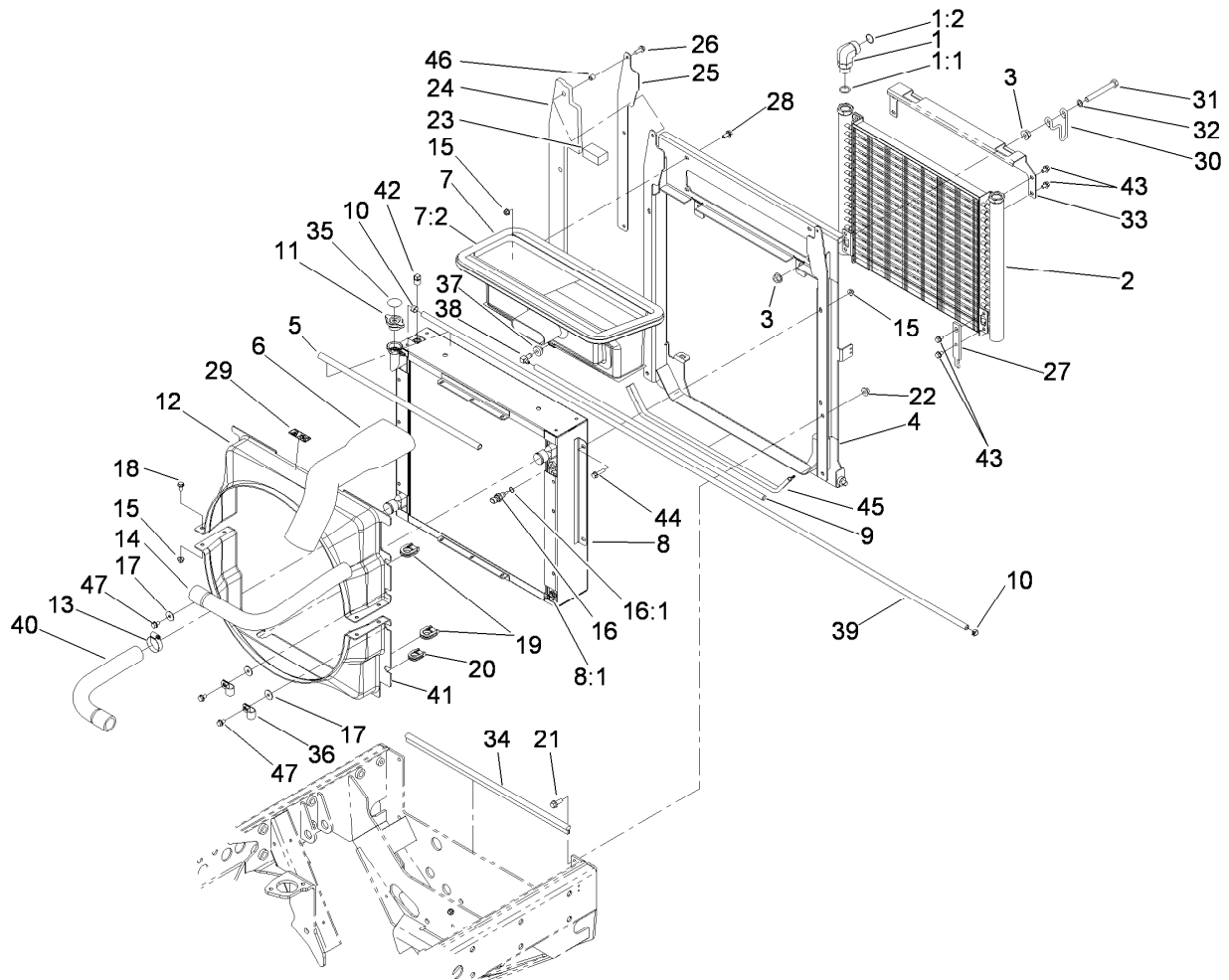
● Not serviced separately



Four Section Pump Assembly No. 114-4189

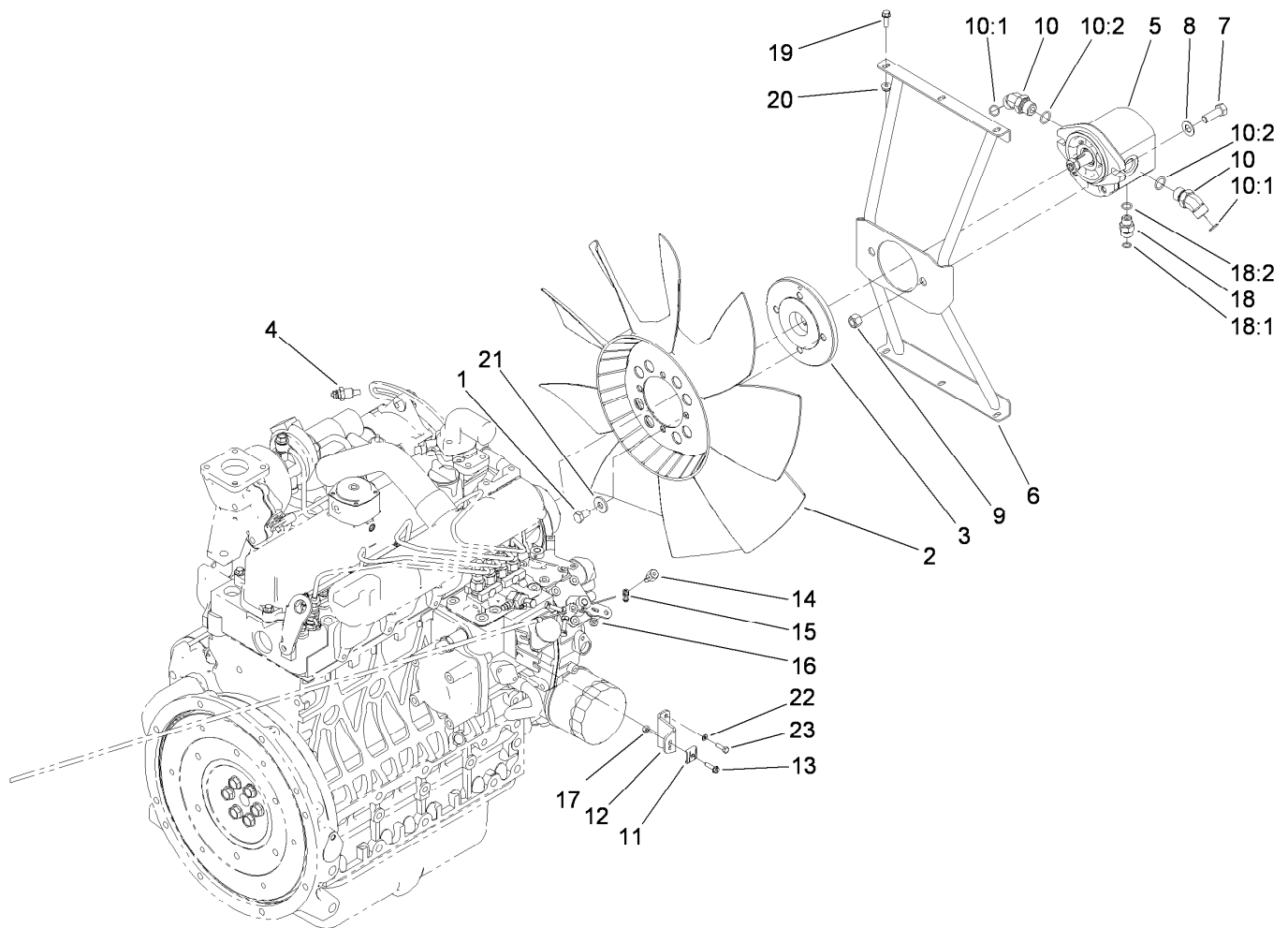
<i>Ref.</i>	<i>Part Number</i>	<i>Qty.</i>	<i>Description</i>
1	115-3774	1	Cover-Front
2	115-4444	4	Bolt
3	115-9138	4	Washer
4	115-3776	1	Seal Kit
4:1		1	Seal ●
4:2		1	Seal ●
4:3		8	Seal ●
4:4		7	Seal ●
4:5		7	Seal ●

● Not serviced separately



Radiator Assembly

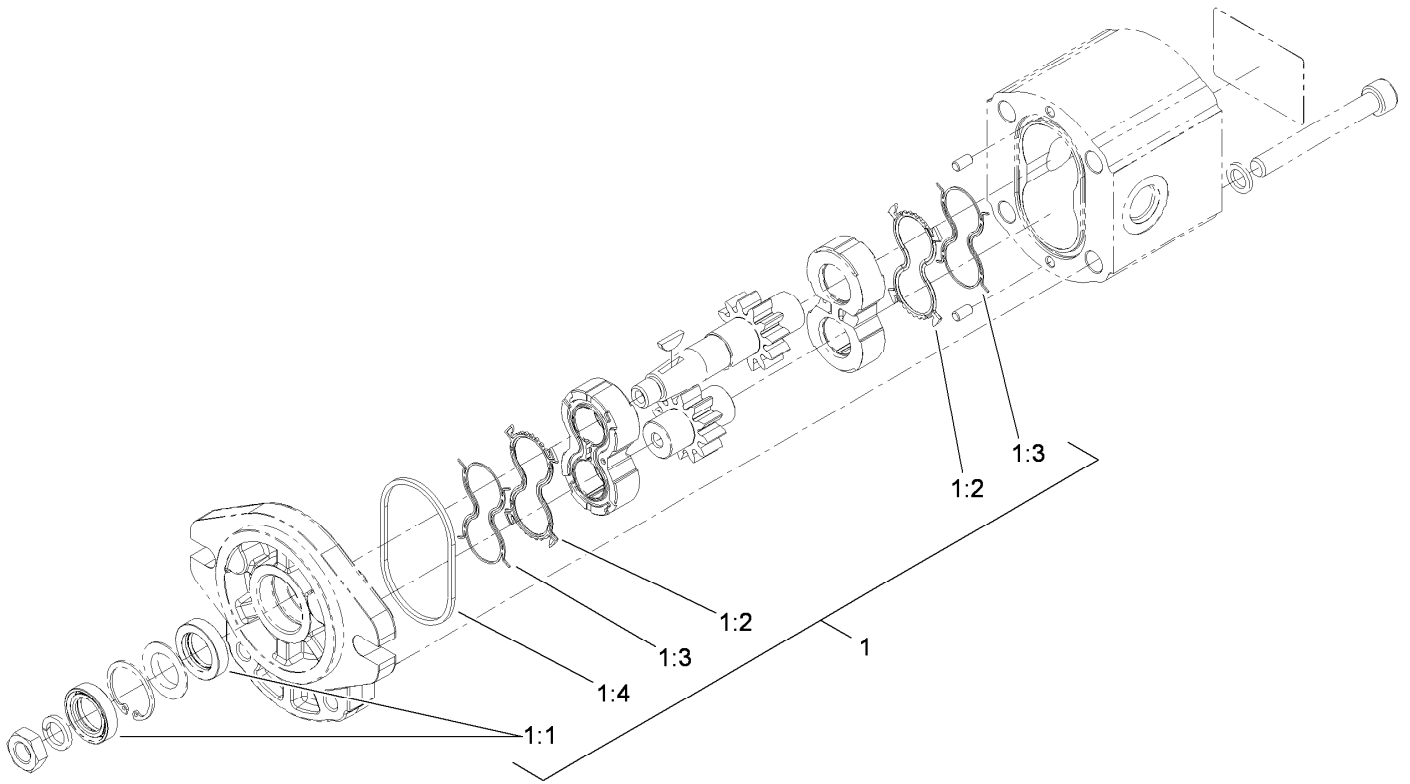
Ref.	Part Number	Qty.	Description	Ref.	Part Number	Qty.	Description
1	104-3796	2	Fitting-HYD, 90 DEG	22	32128-43	4	Nut-Flange
1:1	237-81	1	O-Ring	23	115-9133	2	Seal-Foam
1:2	340-65	1	O-Ring	24	117-4780	2	Seal-Foam, Hood
2	110-0485	1	Cooler-Oil	25	117-4781-03	2	Bracket-Seal Hood
3	32128-49	4	Nut-HHF	26	32144-41	2	Screw-Taptite
4	114-4153-03	1	Radiator Mount ASM	27	104-5460-03	2	Plate-Mount, Oil Cooler
5	114-3828	1	Seal-Bulb	28	3234-47	8	Screw-HHF
6	114-4152	1	Hose-Air Cleaner	29	117-4766	1	Decal-Warning, Fan
7	115-4363	1	Plenum ASM	30	104-5429	2	Clamp-Form, Wire
7:2	115-4393	1	Seal-Plenum	31	325-17	2	Screw-HH
8	114-3833	1	Radiator	32	41-8440	2	Washer
8:1	304-46	1	Draincock	33	114-4193	1	Bracket-Oil Cooler, Top
9	110-3258	1	Hose-Fuel	34	105-9858	1	Seal-Bulb
10	92-2379	3	Clamp-Hose	35	106-6755	1	Decal-Cap, Radiator
11	93-5957	1	Cap-Radiator	36	2412-81	2	Clamp-R
12	114-3816	1	Shroud-Radiator, Upper	37	46-6560	1	Bushing
13	2412-111	4	Clamp	38	46-6550	1	Fitting-Elbow, 90 DEG
14	114-3831	1	Hose-Radiator, Upper	39	110-6184	1	Hose-Fuel
15	104-8300	12	Nut-Flange, NI	40	114-3832	1	Hose-Radiator, Lower
16	110-8829	1	Sender-Temperature	41	114-3834	1	Shroud-Radiator, Lower
16:1	237-42	1	O-Ring	42	281-13	1	Plug-Pipe
17	3256-82	8	Washer-Flat	43	100-1719	8	Screw-Flange
18	3234-7	4	Screw-HHF	44	3234-36	4	Screw-HHF
19	115-3763	2	Grommet (.800 Id)	45	117-4782	1	Seal-Bulb
20	115-3764	1	Grommet (.680 Id)	46	1-603903	6	Spacer
21	3234-11	4	Screw-HHF	47	3234-30	8	Screw-HHF



Fan and Motor Assembly

Ref.	Part Number	Qty.	Description
1	115-8486	4	Screw-HH
2	114-3825	1	Fan
3	117-2364	1	Hub-Fan
4	98-9346	1	Sender-Temperature
5	117-4769	1	HYD Motor ASM
6	114-9764-03	1	Bracket-Motor, Fan
7	324-5	2	Screw-HH
8	3256-25	2	Washer-Flat
9	3296-48	2	Nut-Lock, NI
10	340-101	2	Fitting-HYD, 45 DEG
10:1	237-30	1	O-Ring
10:2	237-79	1	O-Ring
11	81-1690	1	Clamp-Cable
12	115-9114-03	1	Support-Cable, Throttle

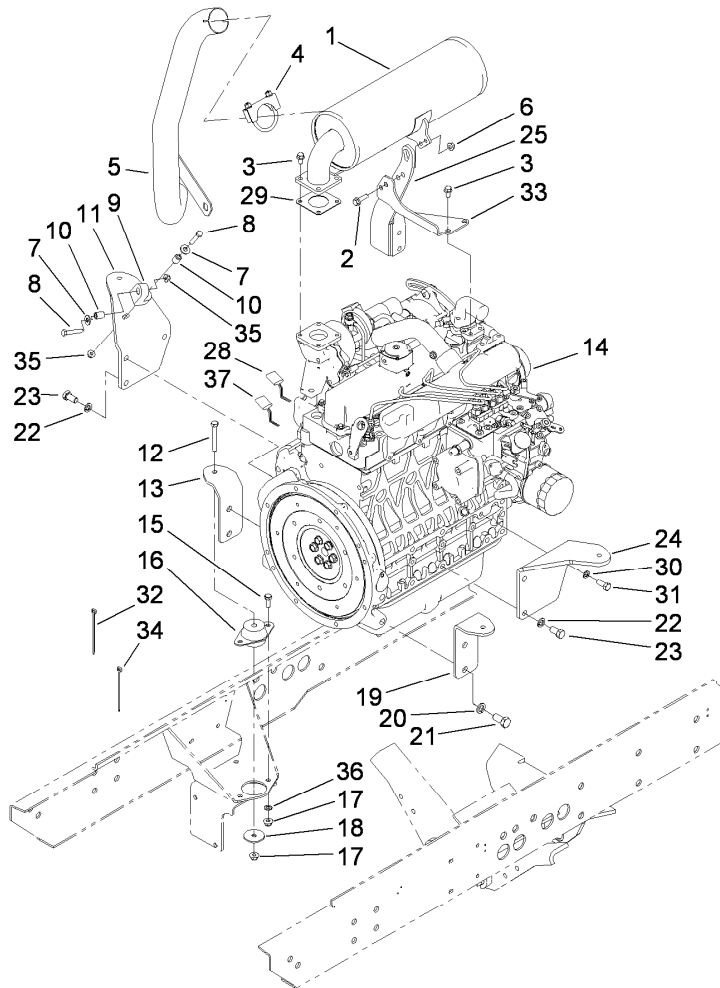
Ref.	Part Number	Qty.	Description
13	32105-13	1	Screw-HWH
14	93-0021	1	Swivel-Cable, Throttle
15	112-9919	1	Stop-Cable, Throttle
16	3296-13	1	Nut-Lock, NI
17	3296-2	1	Nut-Lock, NI
18	340-2	1	Fitting-HYD, Straight
18:1	237-22	1	O-Ring
18:2	237-42	1	O-Ring
19	99-6810	6	Screw-HH
20	104-7201	6	Nut-HF
21	80-6990	4	Washer-Hardened
22	43-5930	2	Washer-Lock, Spring
23	33113-020	2	Screw-HH



Hydraulic Motor Assembly No. 117-4769

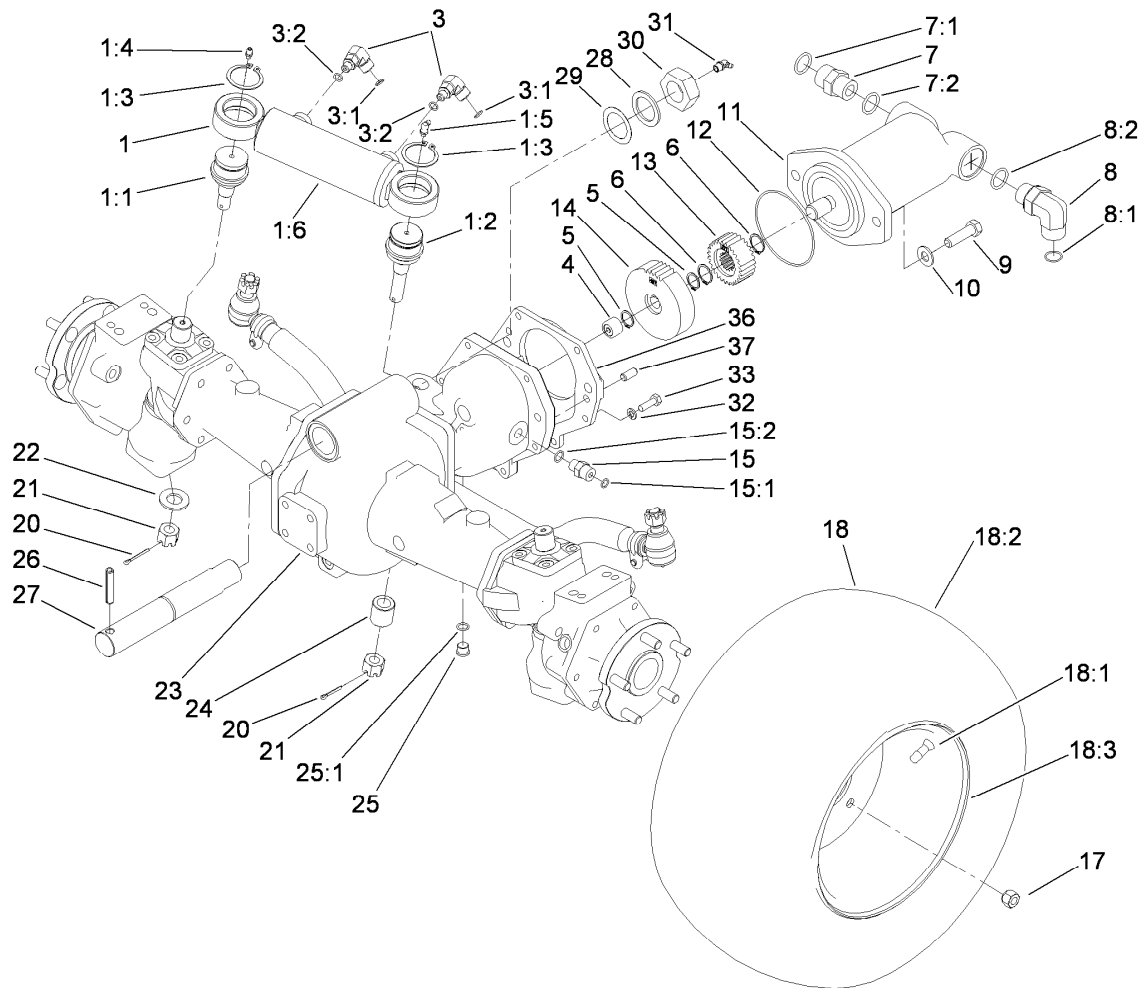
<i>Ref.</i>	<i>Part Number</i>	<i>Qty.</i>	<i>Description</i>
1	115-4110	1	Seal Kit
1:1		2	Seal-Shaft ●
1:2		2	Seal-Plate, Balancing ●
1:3		2	Seal-Anti Extrusion ●
1:4		2	O Ring-Housing ●

● Not serviced separately



Engine Installation Assembly

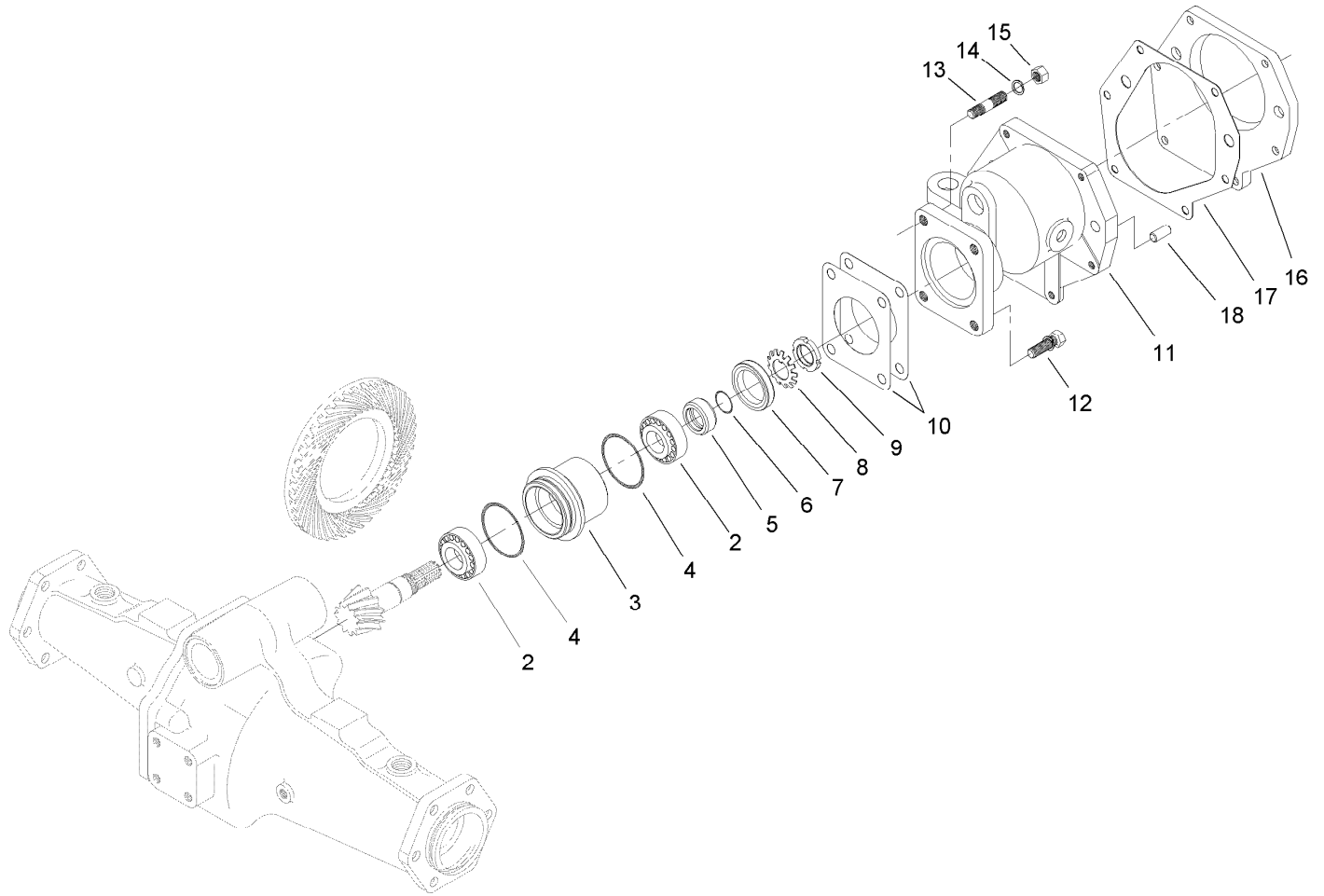
<i>Ref.</i>	<i>Part Number</i>	<i>Qty.</i>	<i>Description</i>	<i>Ref.</i>	<i>Part Number</i>	<i>Qty.</i>	<i>Description</i>
1	114-3849	1	Muffler-Turbo	19	114-4169-03	1	Mount-Engine, Front, LH
2	33104-030	2	Screw-HHF	20	43-5950	4	Washer-Lock, Spring
3	33104-016	6	Screw-HHF	21	43-3210	4	Screw-HH
4	49-2580	1	Clamp-Muffler	22	48-8070	5	Washer-Lock
5	114-4181	1	Pipe-Exhaust	23	42-9250	5	Bolt
6	33004-00	4	Nut-HF	24	114-3817-03	1	Mount-Engine, LH
7	3256-3	2	Washer-Flat	25	114-9781-03	1	Mount-Exhaust
8	322-9	2	Screw-HH	28	117-2370	1	Harness-Ground
9	95-5622	1	Hanger-Rubber	29	100-9333	1	Gasket-Muffler
10	93-5023	2	Spacer	30	43-0090	1	Screw-HH
11	114-3807-03	1	Mount-Engine, RH	31	48-9590	1	Washer-Lock
12	323-13	4	Screw-HH	32	3290-378	1	Tie-Cable
13	114-4170-03	1	Mount-Engine, Front RH	33	112-9113-03	1	Mount-Exhaust
14	114-3800	1	Engine ASM	34	3290-379	2	Tie-Cable
15	3234-11	10	Screw-HHF	35	104-8300	2	Nut-Flange, NI
16	53-9682	4	Mount-Engine-Green	36	3255-9	1	Washer-Lock
17	104-8301	14	Nut-Flange, NI	37	117-2372	1	Harness-Wire, Alternator (40A)
18	63-7400	4	Washer-Rebound				



Rear Axle Assembly

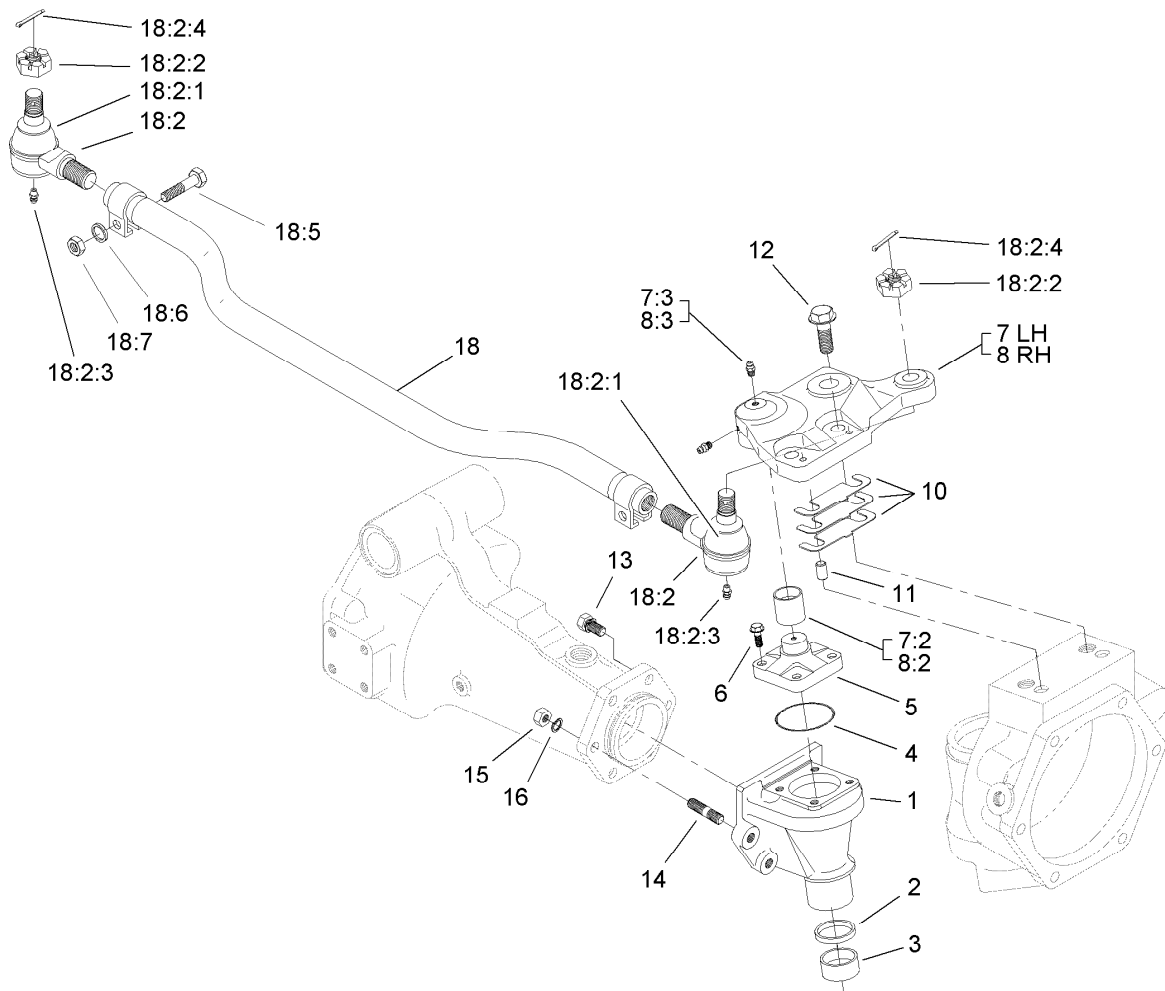
Ref.	Part Number	Qty.	Description	Ref.	Part Number	Qty.	Description
1	105-9861	1	Steering Cylinder ASM	15	340-2	1	Fitting-HYD, Straight
1:1	106-6774	1	Joint-Ball	15:1	237-22	1	O-Ring
1:2	100-3795	1	Joint-Ball	15:2	237-42	1	O-Ring
1:3	32151-104	2	Ring-Retaining, External	17	93-5268	10	Nut-Lug
1:4	302-5	1	Fitting-Grease	18		2	Tire And Wheel ASM ●
1:5	302-60	1	Fitting-Grease	18:1	232-27	1	Stem-Valve
1:6	107-1976	1	Cylinder-Steering, HYD	18:2	104-0451	1	Tire-Turf, Trac
3	340-97	2	Fitting-HYD, 90 DEG	18:3	105-9219	1	Wheel
3:1	237-22	1	O-Ring	20	3272-11	2	Pin-Cotter
3:2	237-78	1	O-Ring	21	32136-14	2	Nut-SHH
4	74-5700	1	Bearing-Needle, Roller	22	92-5836	1	Washer
5	32120-15	2	Ring-Snap, EXT	23	110-4750	1	Drive Axle ASM
6	32120-76	2	Ring-Snap, EXT	24	100-3796	1	Spacer-Joint, Ball
7	340-9	1	Fitting-Straight	25	353-989	1	Plug-Hex, Hollow
7:1	237-58	1	O-Ring	25:1	237-42	1	O-Ring
7:2	237-81	1	O-Ring	26	32121-110	1	Pin-Roll, Slotted
8	340-142	1	Fitting-HYD, 90 DEG	27	115-9142	1	Pin-Rear Axle
8:1	237-58	1	O-Ring	28	92-1765	1	Washer-Thrust
8:2	237-81	1	O-Ring	29	98-3867	2	Washer-Thrust
9	325-7	2	Screw-HH	30	3296-68	1	Nut-Lock, NI
10	3256-26	2	Washer-Flat	31	302-33	1	Fitting-Grease
11	105-1219	1	HYD Motor ASM	32	3253-4	6	Washer-Lock
12	237-166	1	O-Ring	33	33114-025	6	Screw-HH
13	104-5663	1	Pinion-28T	36	95-7541	1	Plate-Cover
14	104-5664	1	Gear-44T	37	104-2353	2	Pin-Dowel

● Not serviced separately



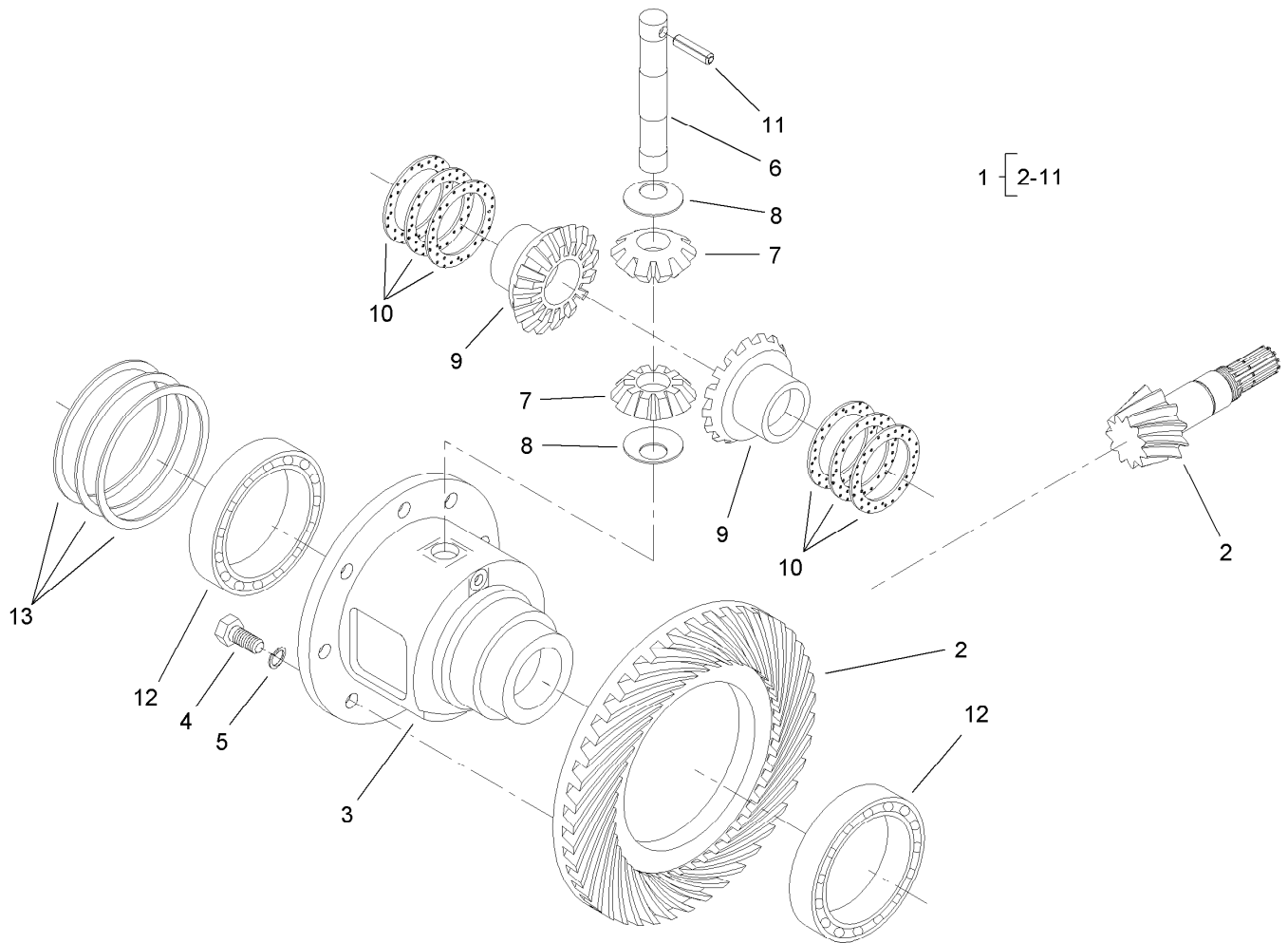
Bevel Pinion Shaft Assembly Rear Axle Assembly No. 110-4750

<i>Ref.</i>	<i>Part Number</i>	<i>Qty.</i>	<i>Description</i>
2	99-7570	2	Bearing-Roller, Taper
3	95-7534	1	Case-Bearing
4	106-1065	2	O-Ring
5	99-7572	1	Collar-Seal, Oil
6	106-1066	1	O-Ring
7	99-7574	1	Seal-Oil
8	99-7559	1	Washer-Lock
9	99-7560	1	Nut-Lock
10	99-7550	2	Shim 0.1
10	99-7551	2	Shim 0.2
11	95-7533	1	Case-Gear
12	99-7575	2	Bolt
13	98-7735	2	Stud
14	99-7527	2	Washer-Spring
15	99-7526	2	Nut
16	95-7541	1	Plate-Cover
17	106-1140	1	Gasket
18	104-2353	2	Pin-Dowel



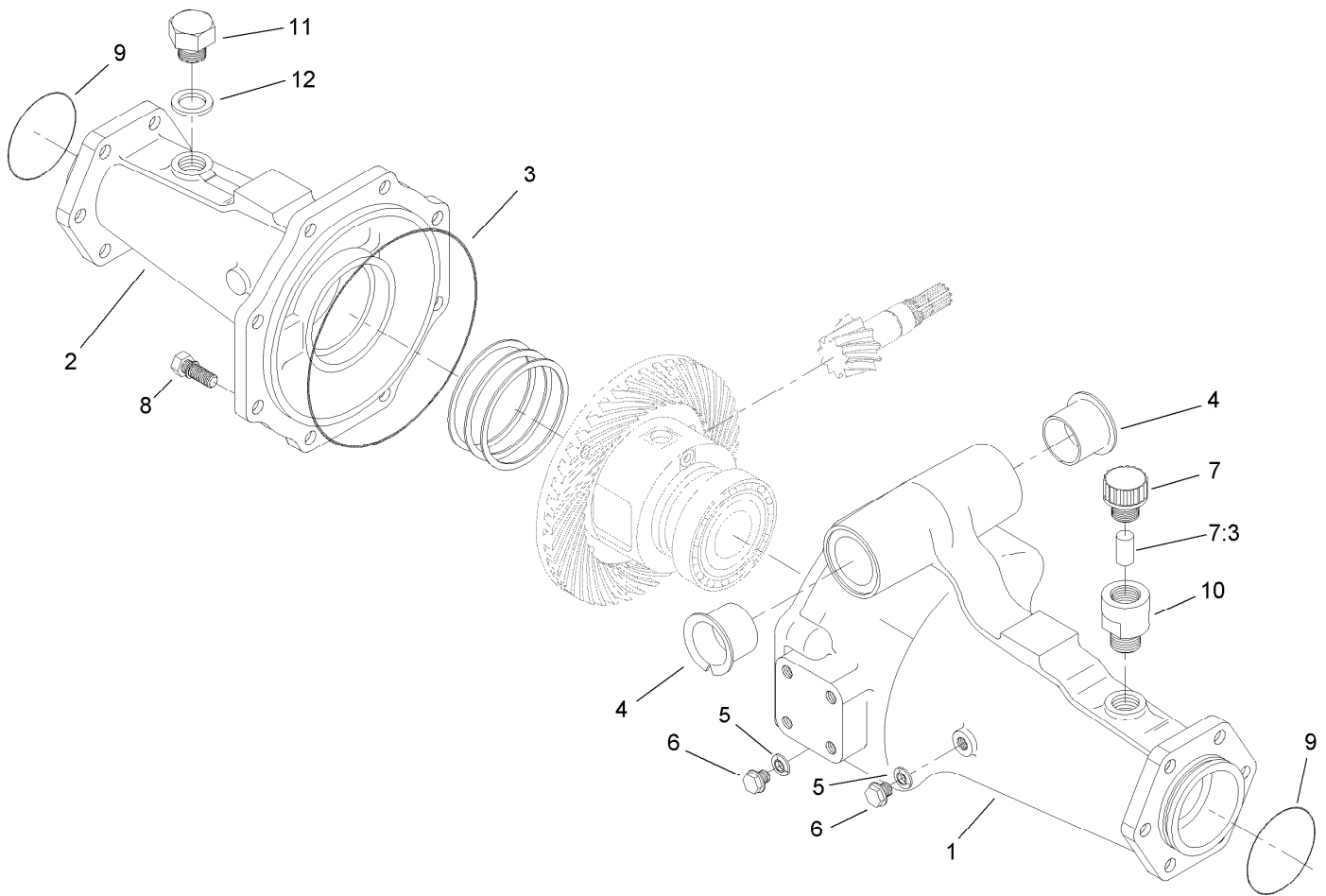
Bevel Gear Case Assembly Rear Axle Assembly No. 110-4750

Ref.	Part Number	Qty.	Description	Ref.	Part Number	Qty.	Description
1	110-4752	2	Case-Gear, Bevel	12	104-2375	4	Bolt
2	110-4754	2	Seal-Oil	13	99-7599	8	Bolt
3	104-2378	2	Bushing	14	99-7525	4	Stud
4	106-1069	2	O-Ring	15	99-7526	4	Nut
5	104-2373	2	Knuckle	16	99-7527	4	Washer-Spring
6	104-2374	8	Bolt	18	106-1141	1	Steering Tie Rod ASM
7	100-3768	1	LH Steering Arm ASM	18:2	106-1113	2	Tie Rod End ASM - RH
7:2	104-8634	1	Bushing				Thread
7:3	106-1104	2	Fitting-Grease	18:2:1	100-3853	1	Cover-Dust
8	100-3766	1	RH Steering Arm ASM	18:2:2	100-3854	1	Nut-Castle
8:2	104-8634	1	Bushing	18:2:3	110-4755	1	Fitting-Grease
8:3	106-1104	2	Fitting-Grease	18:2:4	3272-11	1	Pin-Cotter
10	95-7547	2	Shim 0.1	18:5	100-3855	2	Bolt
10	95-7548	2	Shim 0.2	18:6	99-7527	2	Washer-Spring
10	95-7549	2	Shim 0.3	18:7	99-7526	2	Nut
11	99-7597	4	Pin-Dowel				



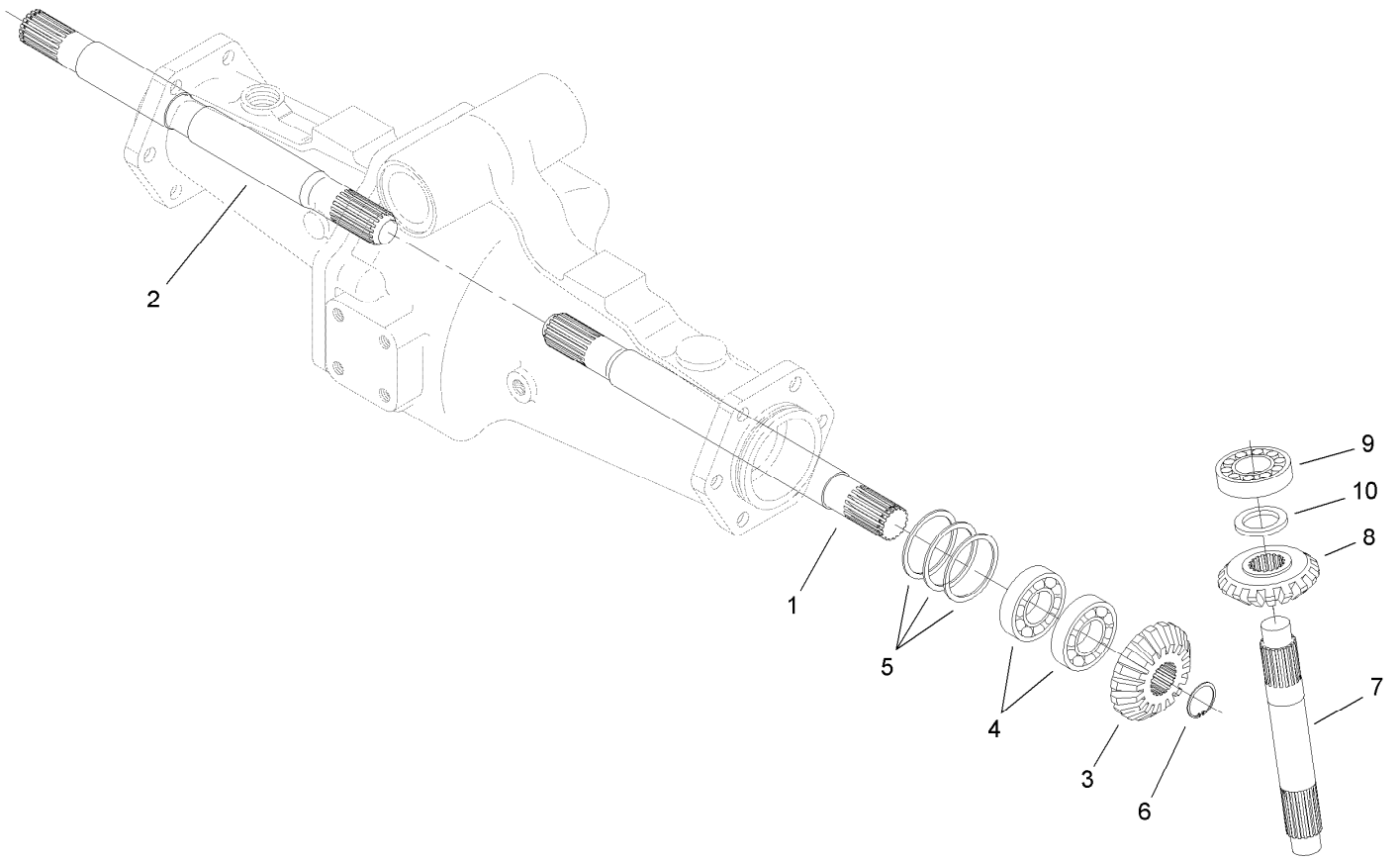
Differential Assembly Rear Axle Assembly No. 110-4750

Ref.	Part Number	Qty.	Description
1	95-7503	1	Differential ASM
2	100-2555	1	Ring And Pinion Matched Set
3	95-7502	1	Case-Differential
4	99-7576	8	Bolt
5	3253-4	8	Washer-Lock
6	99-7578	1	Shaft-Differential
7	99-7579	2	Pinion-Differential
8	99-7580	2	Washer-Differential
9	99-7581	2	Gear-Differential
10	99-7582	2	Washer-Differential
10	99-7583	2	Washer-Differential
10	99-7584	2	Washer-Differential
11	99-7588	1	Pin-Spring
12	99-7562	2	Bearing-Ball
13	99-7585	2	Shim 0.1
13	99-7586	2	Shim 0.2
13	99-7587	2	Shim 0.4



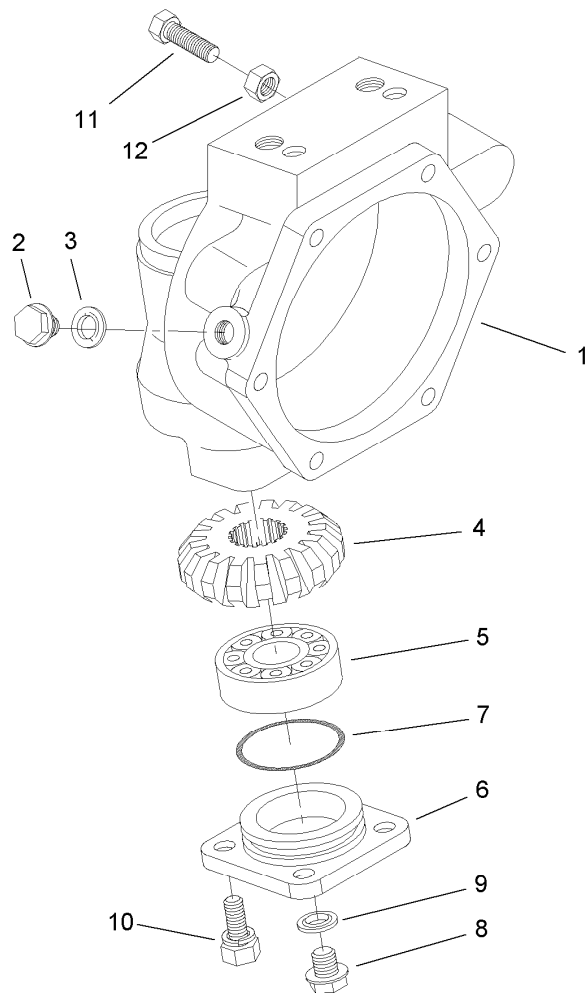
Axle Support Assembly Rear Axle Assembly No. 110-4750

<i>Ref.</i>	<i>Part Number</i>	<i>Qty.</i>	<i>Description</i>
1	95-7508	1	Support-Axle
2	95-7506	1	Support-Axle
3	106-1067	1	O-Ring
4	95-7537	2	Bushing-Flanged
5	99-7590	2	Washer-Seal
6	99-7589	2	Plug
7	110-4812	1	Axle Vent ASM
7:3	110-4815	1	Insert-Filter, Foam
8	99-7592	8	Bolt
9	106-1068	2	O-Ring
10	104-2377	1	Extension-Vent
11	104-8643	1	Plug
12	104-8644	1	O-Ring



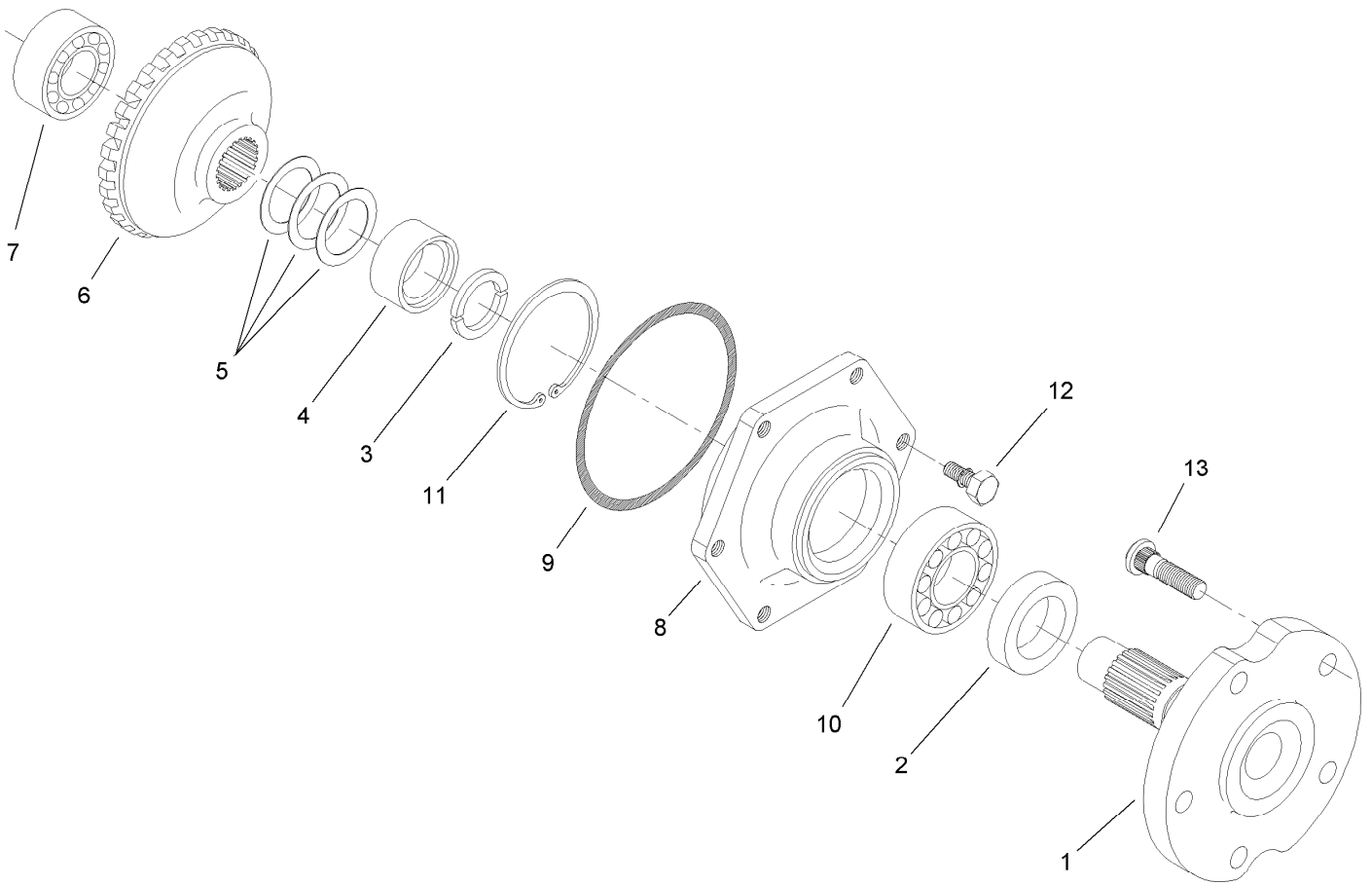
Bevel Gear Shaft Assembly Rear Axle Assembly No. 110-4750

<i>Ref.</i>	<i>Part Number</i>	<i>Qty.</i>	<i>Description</i>
1	95-7509	1	Shaft-Gear, Differential
2	95-7512	1	Shaft-Gear, Differential
3	95-7517	2	Gear-Bevel, 15 Tooth
4	99-7530	4	Bearing-Ball
5	99-7552	2	Shim 0.1
5	99-7553	2	Shim 0.2
5	99-7554	2	Shim 0.5
6	99-7531	2	Clip
7	110-4753	2	Shaft-Gear, Bevel
8	95-7519	2	Gear-Bevel, 17 Tooth
9	99-7532	2	Bearing-Roller, Taper
10	99-7558	2	Collar



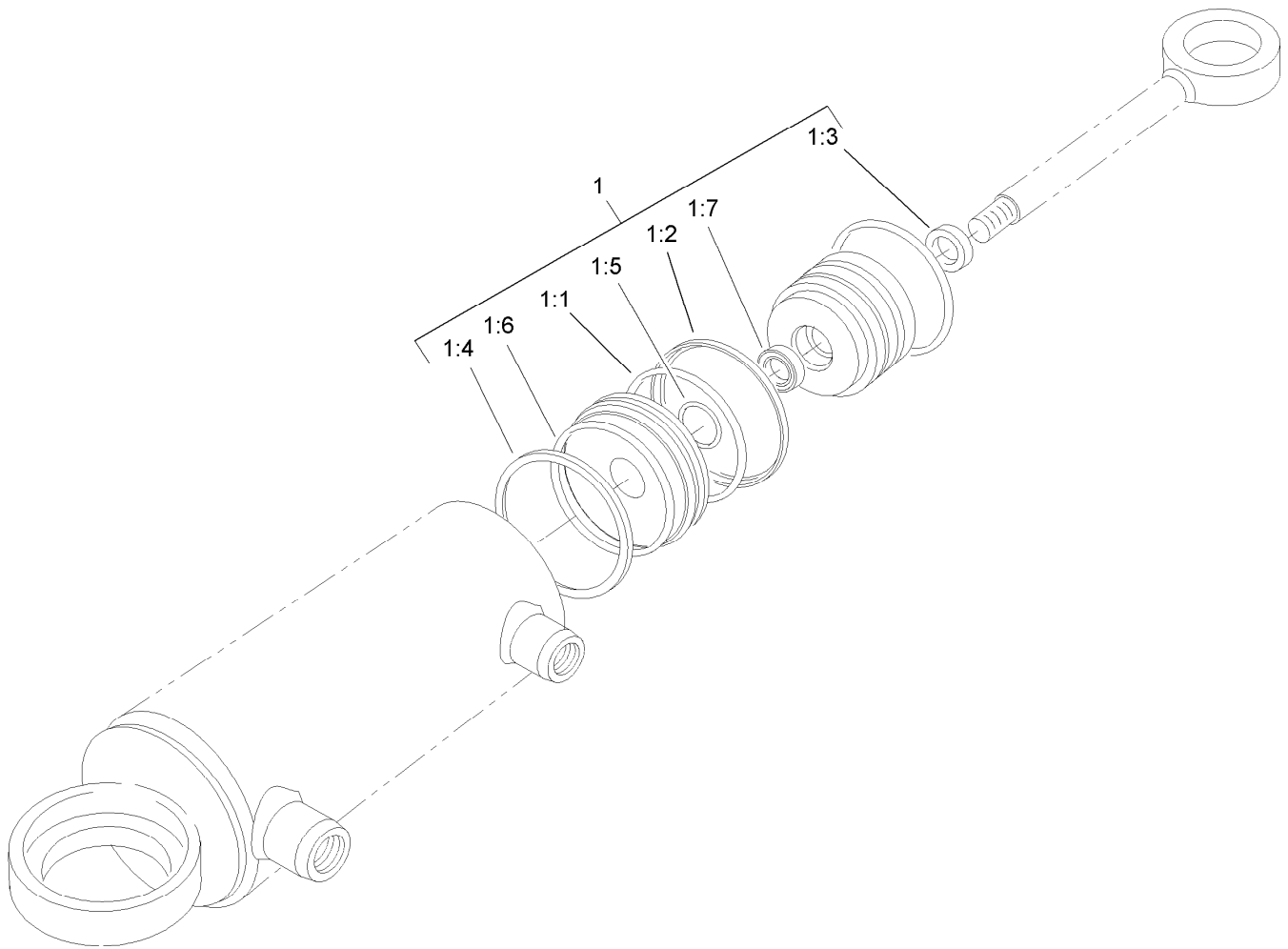
Axle Case Assembly Rear Axle Assembly No. 110-4750

<i>Ref.</i>	<i>Part Number</i>	<i>Qty.</i>	<i>Description</i>
1	110-4751	2	Case-Axle
2	99-7535	2	Plug
3	99-7536	2	Washer-Seal
4	95-7527	2	Gear-Bevel, 17 Tooth
5	99-7532	2	Bearing-Roller, Taper
6	100-2560	2	Cover
7	106-1070	2	O-Ring
8	99-7589	2	Plug
9	99-7590	2	Washer-Seal
10	100-2562	8	Bolt
11	106-1102	2	Bolt-Stop
12	106-1103	2	Nut



Axle Assembly Rear Axle Assembly No. 110-4750

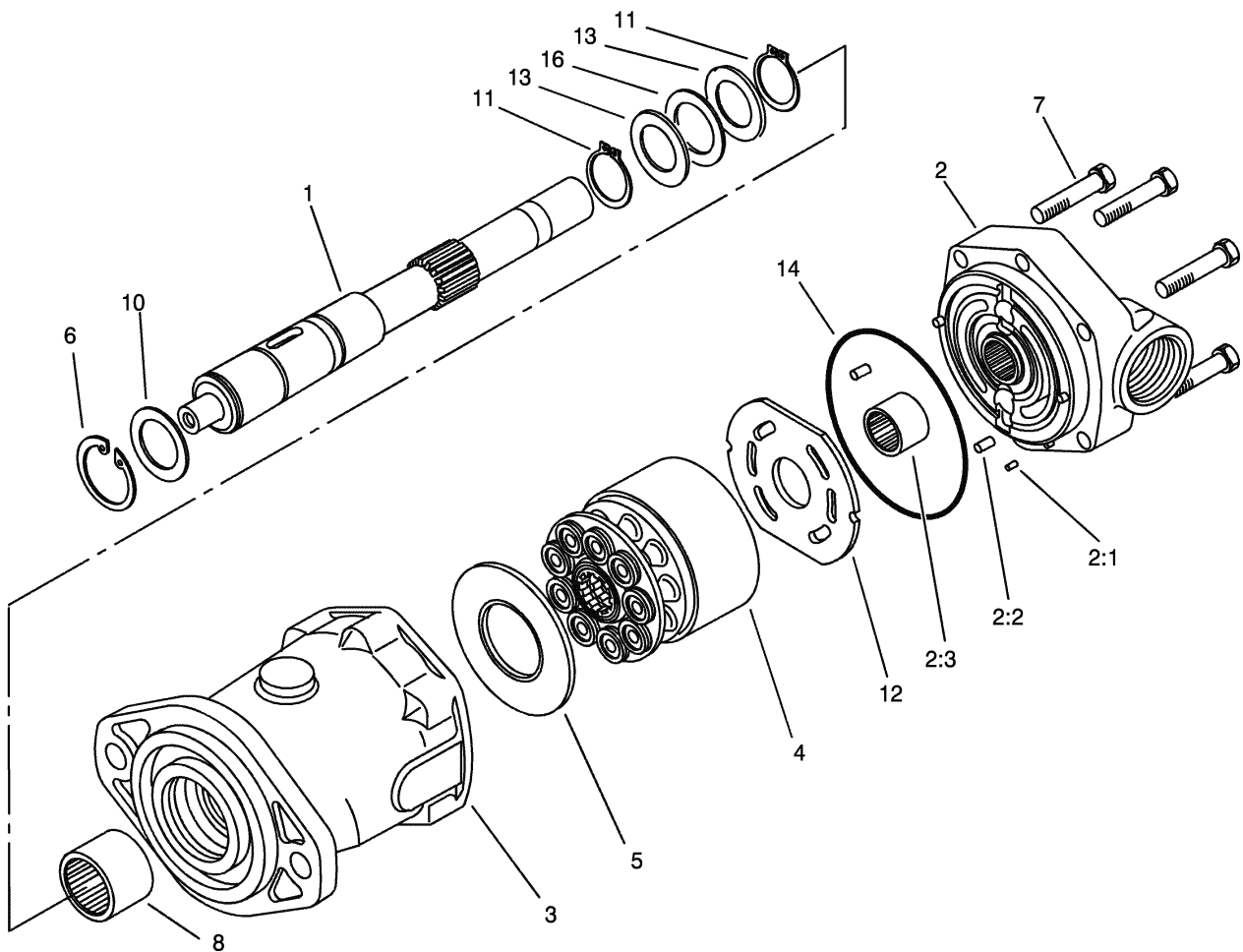
<i>Ref.</i>	<i>Part Number</i>	<i>Qty.</i>	<i>Description</i>
1	95-7522	2	Axle
2	99-7564	2	Seal-Oil
3	95-7544	4	Clip
4	95-7523	2	Spacer
5	99-7555	2	Shim 0.3
5	99-7556	2	Shim 0.2
5	99-7557	2	Shim 0.5
6	95-7524	2	Gear-Bevel, 29 Tooth
7	99-7534	2	Bearing-Ball
8	95-7521	2	Cover-Axle
9	106-1071	2	O-Ring
10	99-7561	2	Bearing-Ball
11	99-7539	2	Clip
12	99-7596	12	Bolt
13	99-7563	10	Stud



Hydraulic Cylinder Assembly No. 107-1976

<i>Ref.</i>	<i>Part Number</i>	<i>Qty.</i>	<i>Description</i>
1	107-0245	1	Seal Kit
1:1		1	O-Ring ●
1:2		1	Back-Up ●
1:3		1	Wiper ●
1:4		1	Seal ●
1:5		1	O-Ring ●
1:6		1	O-Ring ●
1:7		1	Seal ●

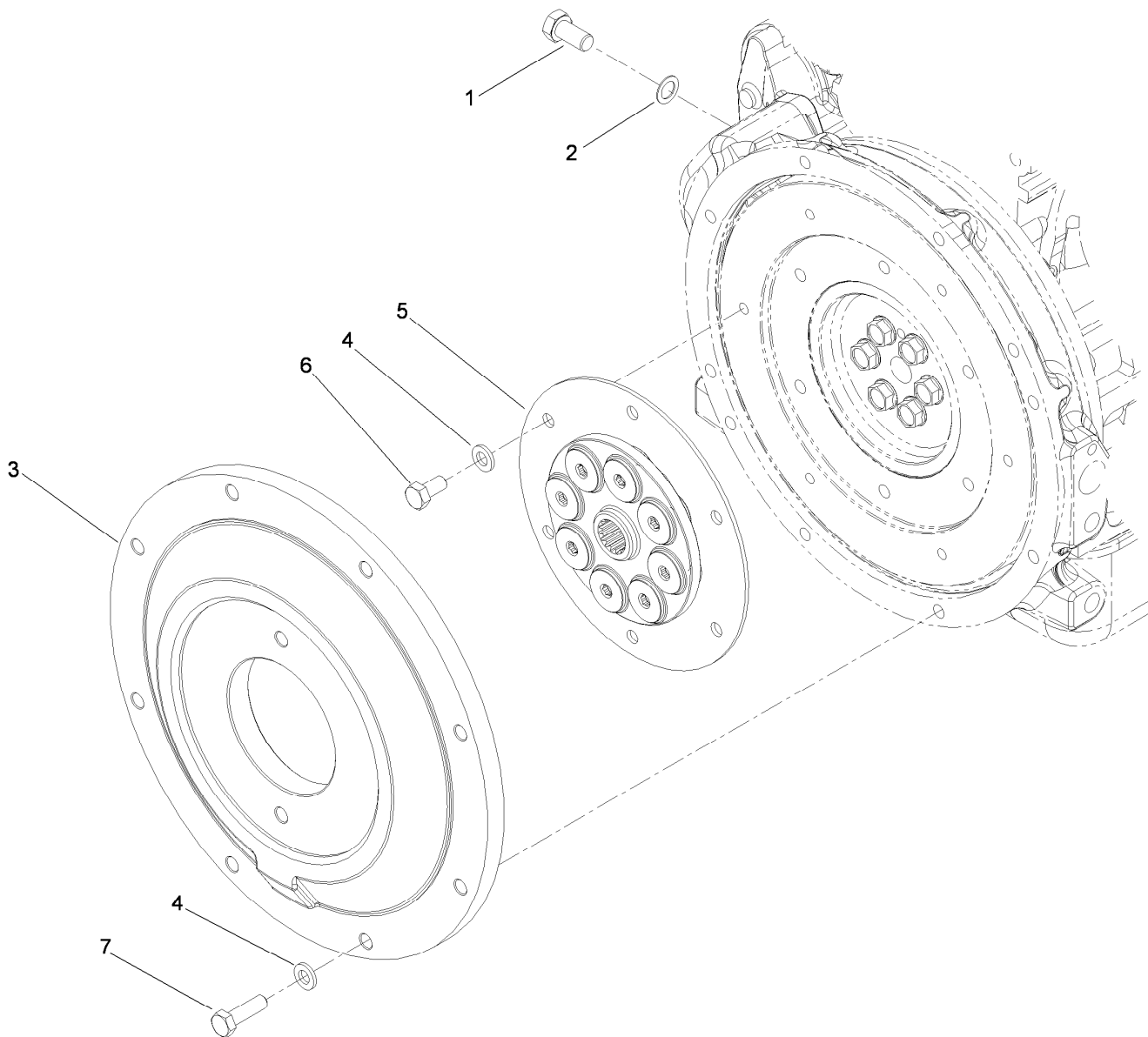
● Not serviced separately



Piston Motor Assembly No. 105-1219

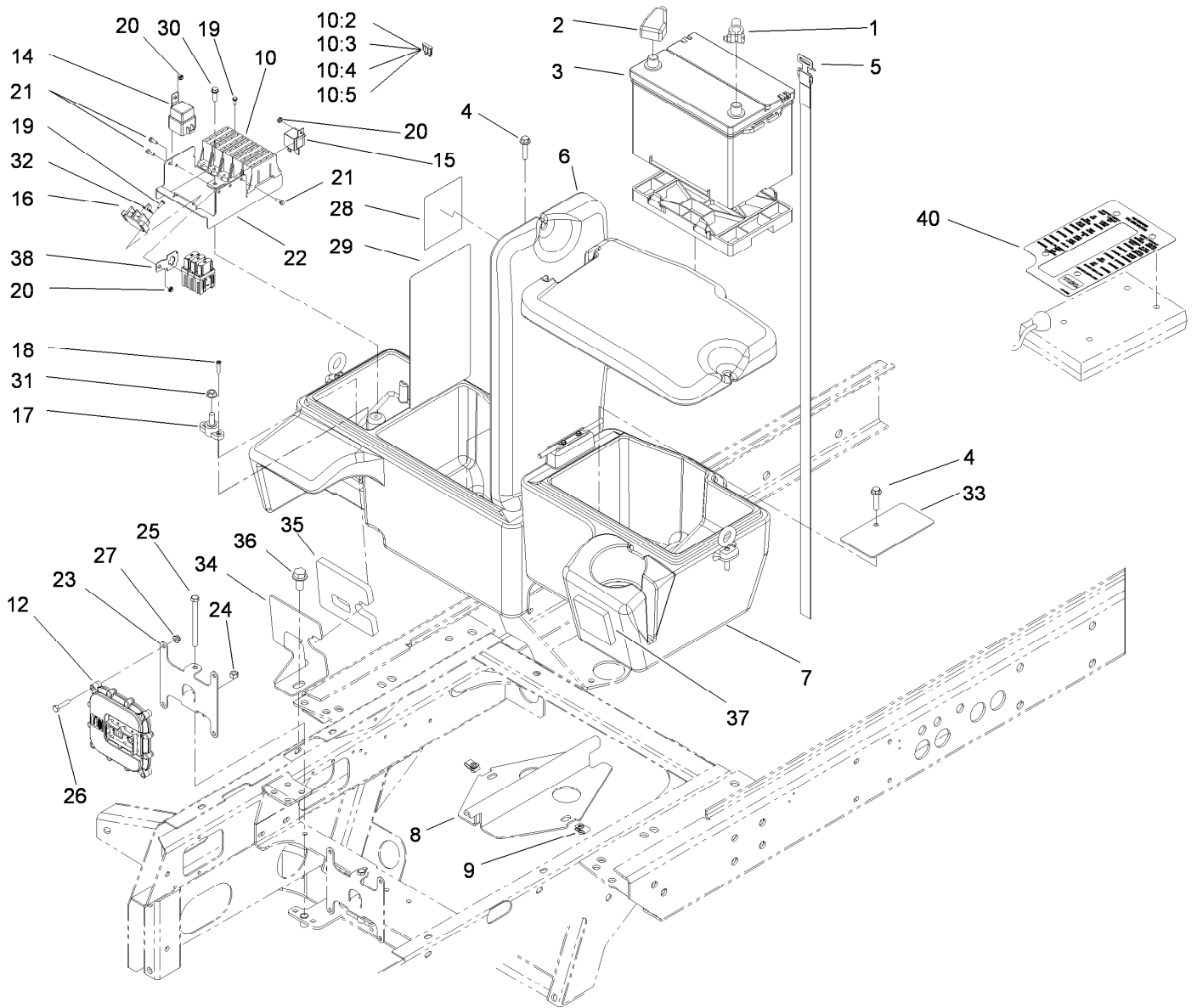
Ref.	Part Number	Qty.	Description
1	105-2853	1	Shaft-Drive
2	100-2551	1	Backplate
2:1		3	Pin-Dowel ●
2:2		1	Pin-Dowel ●
2:3		1	Bearing-Needle ●
3		1	Housing ●
4	76-6910	1	Rotating Kit
5	76-6970	1	Insert-Plate, Cam
6	60-6260	1	Ring
7	94-3002	6	Capscrew
8	63-4390	1	Bearing-Needle
10	76-7020	1	Spacer
11	76-7000	2	Ring-Retaining
12	94-3003	1	Plate-Valve
13	76-6950	2	Race-Thrust
14	76-6980	1	O-Ring
16	76-6960	1	Bearing-Thrust

● Not serviced separately



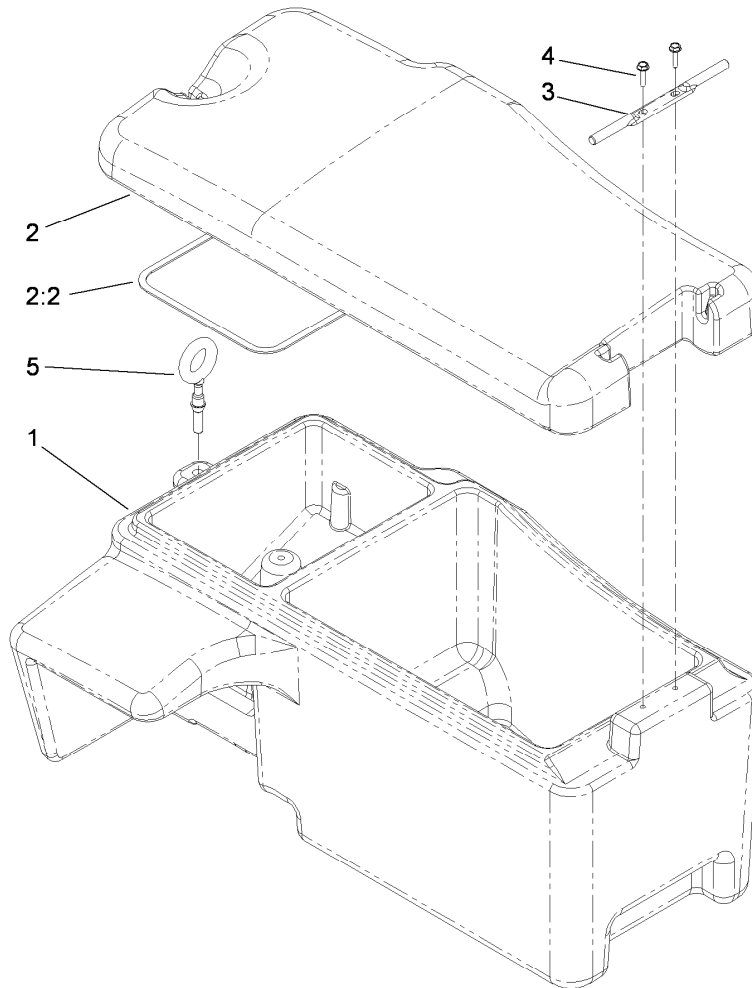
Flywheel Coupler Assembly

<i>Ref.</i>	<i>Part Number</i>	<i>Qty.</i>	<i>Description</i>
1	42-9250	1	Bolt
2	3255-2	1	Washer-Lock / EXT
3	115-6657-03	1	Plate-Flywheel
4	107-1413	14	Washer-Hardened
5	114-3848	1	Coupler-Spring, Flywheel
6	99-5130	6	Bolt
7	117-5663	8	Screw-HH



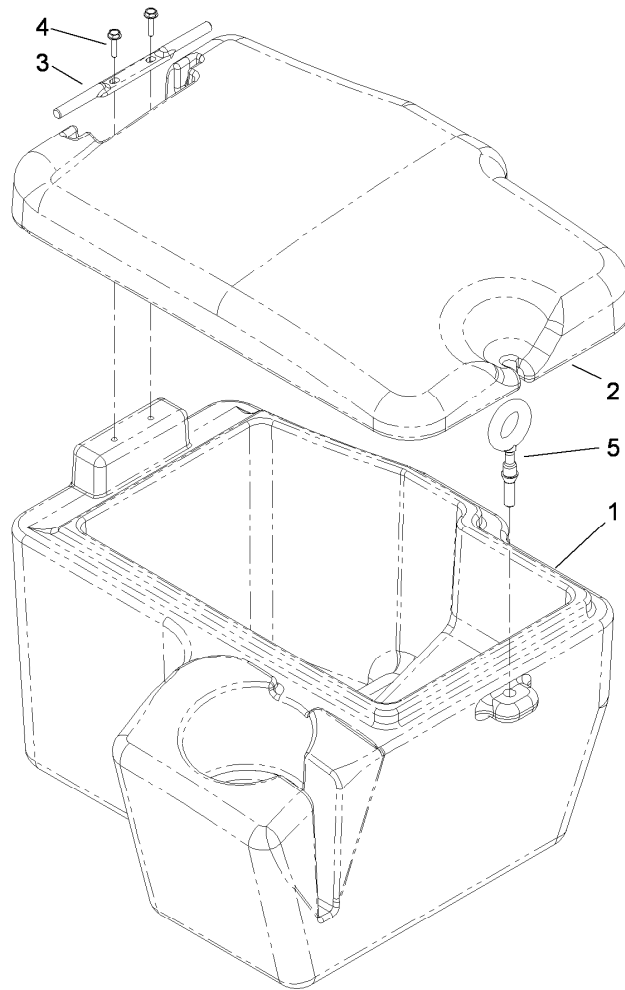
Power Center, Battery and Storage Box Assembly

Ref.	Part Number	Qty.	Description	Ref.	Part Number	Qty.	Description
1	117-2377	1	Cable-Battery, Negative	20	3296-54	5	Nut-Lock
2	117-2376	1	Cable-Battery, Positive	21	112-3169	5	Screw-HHF, Serrated
3	106-5190	1	Battery	22	115-4356-03	1	Mount-Fuse Block
4	115-1794	2	Screw-HHF	23	117-2360-03	1	Bracket-Mount, Controller
5	3339-175	1	Strapping-Web, 48 Inch	24	3217-6	1	Nut-Hex
6	115-9100	1	Battery Storage Box ASM	25	322-19	1	Screw-HH
7	115-9101	1	Storage Box ASM	26	321-8	4	Screw-HH
8	115-4387-03	1	Support-Box, Storage	27	104-7201	4	Nut-HF
9	112-3306	2	Nut	28	117-4761	1	Decal-Fuse
10	115-9106	1	Harness-Power Center	29	117-4758	1	Decal-Service
10:2	94-6710	2	Fuse-2 Amp	30	46-8091	1	Screw-HWH
10:3	114241	6	Fuse-Blade, 7.5 Amp	31	3290-357	1	Nut-HHF, Whiz
10:4	218-578	4	Fuse-Blade, 10 Amp	32	42863	1	Strip-Jumper
10:5	109101	1	Fuse-Blade, 20 Amp	33	117-4768-03	1	Plate-Box, Storage
12	114-3321	1	Controller-Tec	34	117-4774-03	1	Clamp
14	99-7430	1	Relay	35	117-4775	1	Seal-Battery Box
15	99-7435	3	Relay-Power	36	3234-6	1	Screw-HHF
16	42862	1	Block-Terminal, Ground	37	117-4783	2	Seal-Foam
17	110-8822	1	Block-Junction	38	114-5502	1	Clip-Fuse
18	93-0231	2	Screw-PPH	40	117-4795	1	Decal-Diagnostic, Controller
19	32144-87	6	Screw-HWHTF				



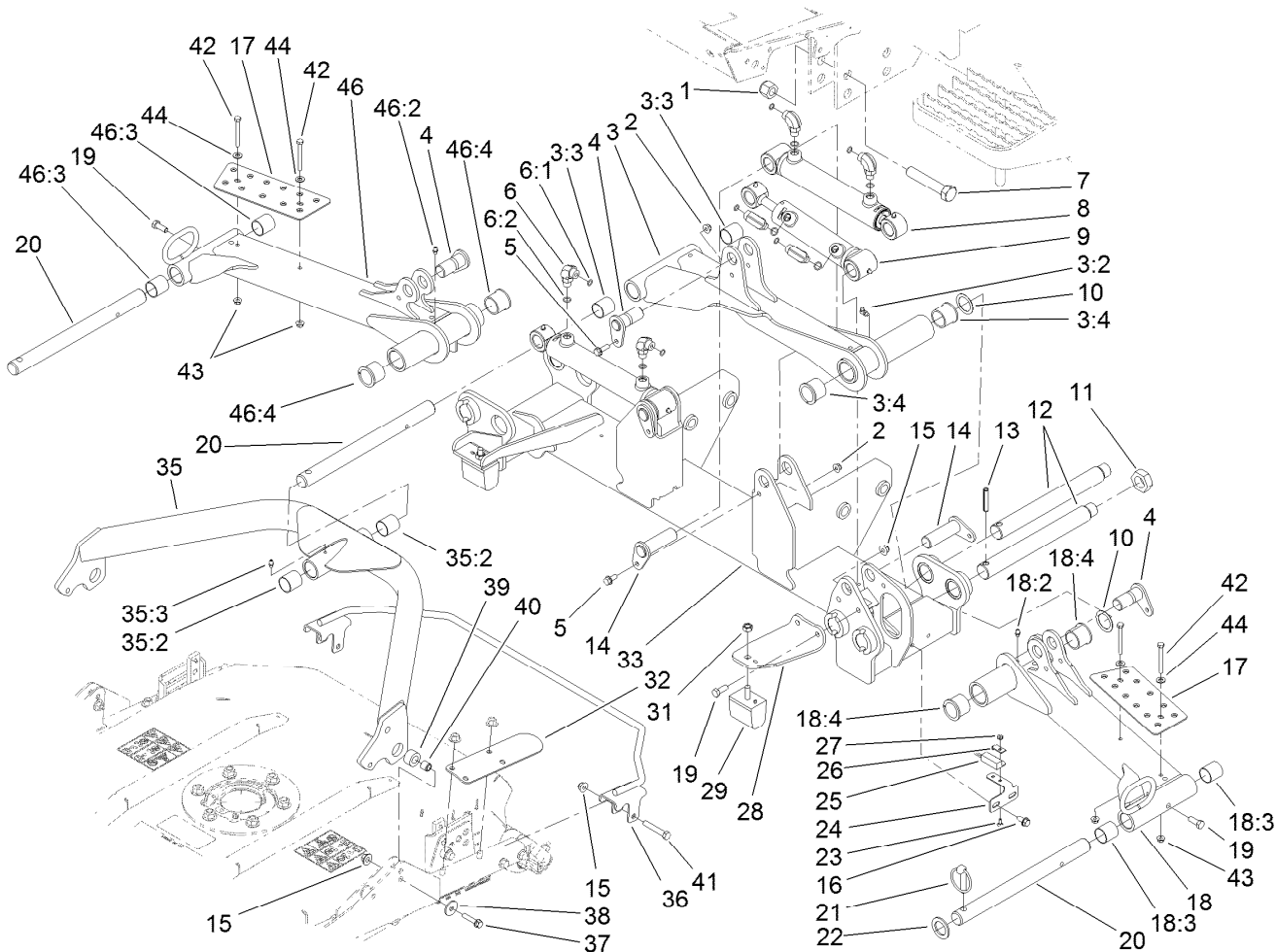
Battery Storage Box Assembly No. 115-9100

<i>Ref.</i>	<i>Part Number</i>	<i>Qty.</i>	<i>Description</i>
1	114-8124	1	Box-Storage, RH
2	115-4368	1	Cover ASM
2:2	115-4367	1	Seal-Cover
3	114-8132	1	Hinge-Cover
4	98-1375	2	Screw-HWH
5	115-4366	1	Latch-Rubber



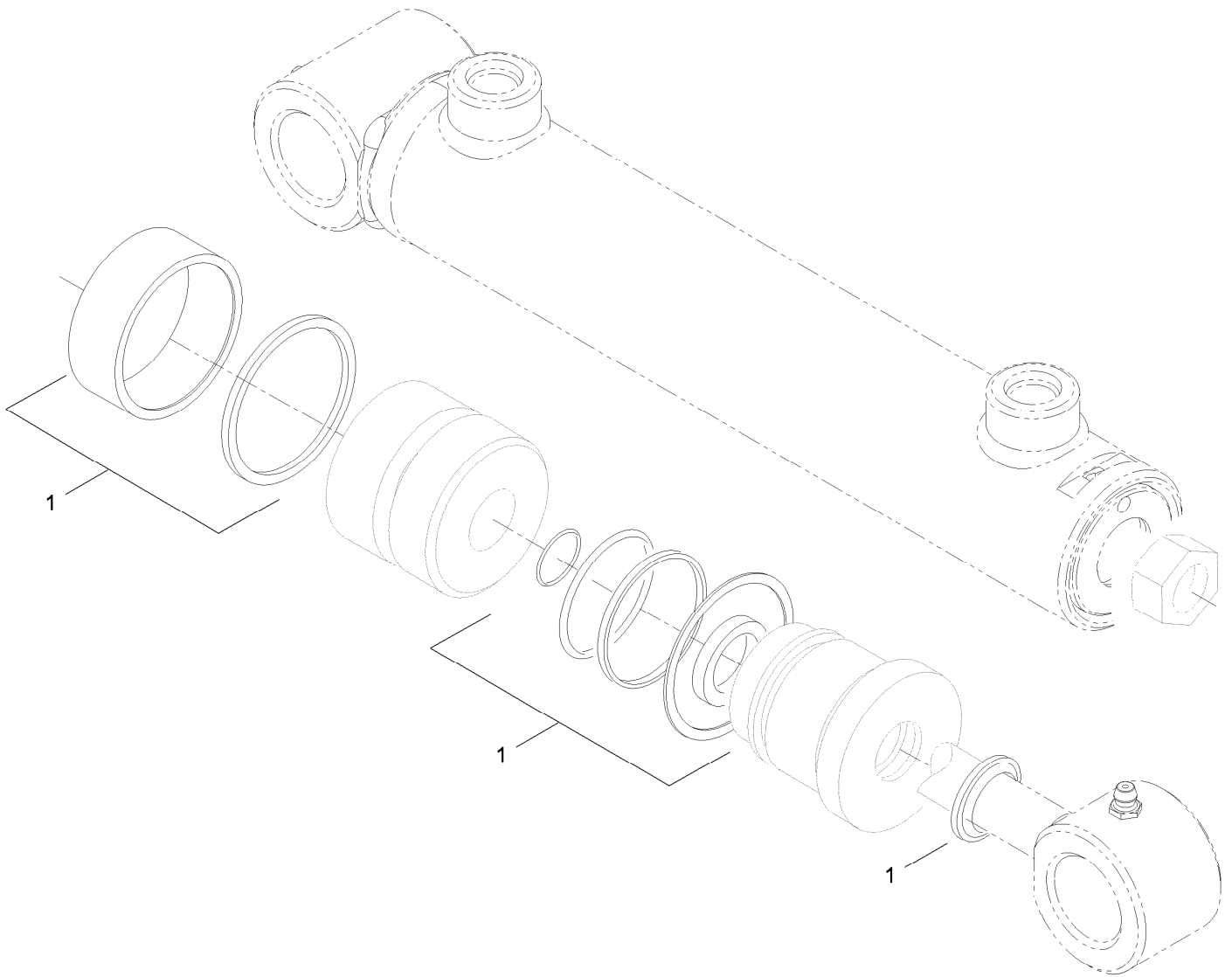
Storage Box Assembly No. 115-9101

<i>Ref.</i>	<i>Part Number</i>	<i>Qty.</i>	<i>Description</i>
1	114-8123	1	Box-Storage, LH
2	114-8125	1	Cover-Storage Box, LH
3	114-8132	1	Hinge-Cover
4	98-1375	2	Screw-HWH
5	115-4366	1	Latch-Rubber



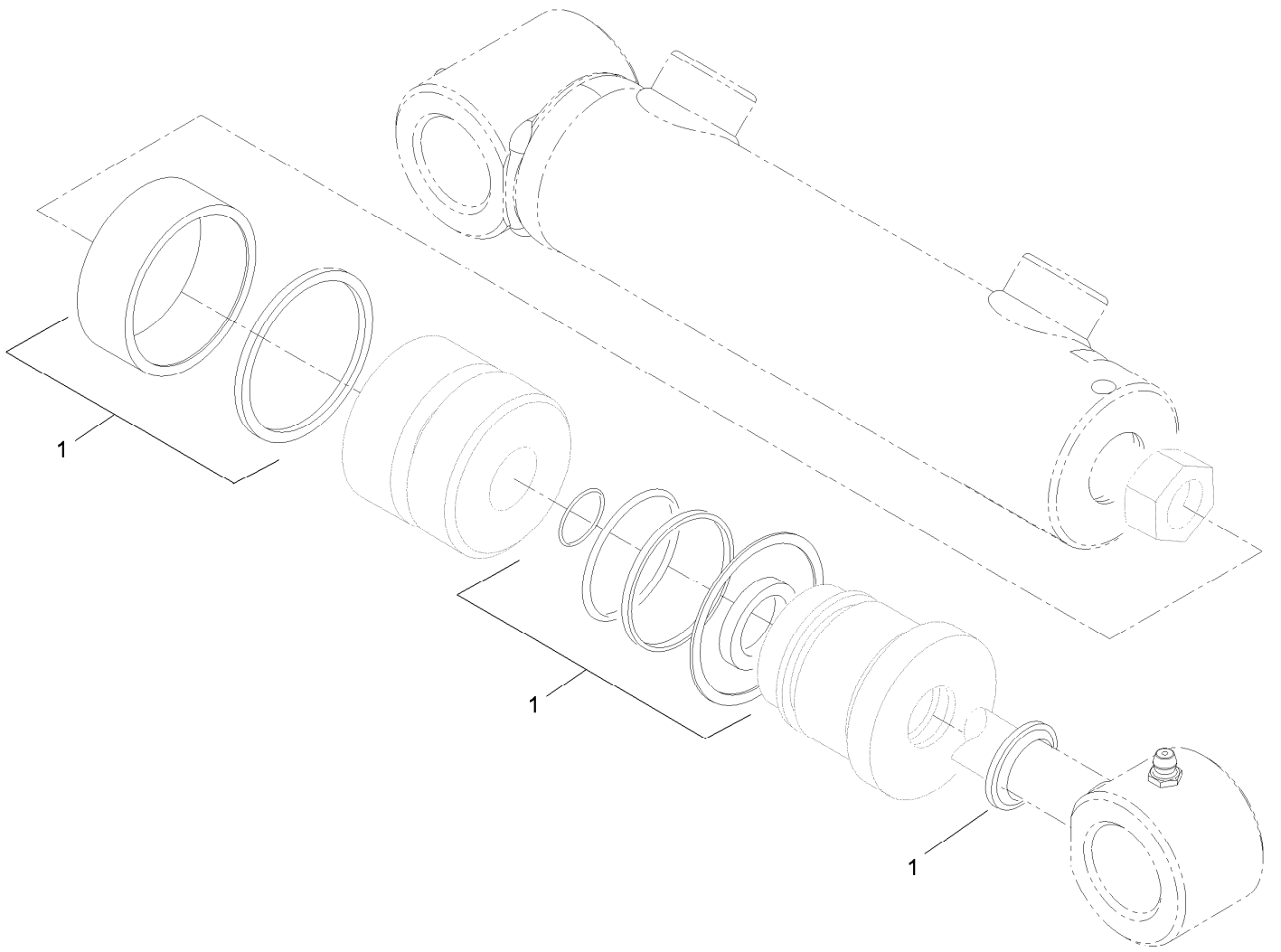
Front Lift Arm Assembly

Ref.	Part Number	Qty.	Description	Ref.	Part Number	Qty.	Description
1	3296-51	4	Nut-Lock, NI	21	283-71	3	Pin-Lynch
2	104-8300	6	Nut-Flange, NI	22	3-6781	3	Washer-Thrust
3	108-4032	1	No. 1 Liftarm ASM	23	104-1450	2	Bolt-CARR
3:2	302-60	1	Fitting-Grease	24	104-5585	2	Bracket-Switch
3:3	108-4000	2	Bushing	25	106-9288	2	Sensor-Proximity, Ferrous
3:4	104-0015	2	Bushing-Flange	26	100-4872	2	Plate-Switch, Neutral
4	104-5525	3	Cylinder Pin ASM	27	32149-7	2	Nut-Keps
5	3234-17	6	Screw-HHF	28	104-5689-03	1	Bracket-Support, Bumper
6	340-77	6	Fitting-HYD, 90 DEG	29	87-3470	2	Bumper-Axle, Rear
6:1	237-22	1	O-Ring	31	33025-00	2	Nut-Lock, NI
6:2	237-42	1	O-Ring	32	105-9831-03	2	Bracket-Bumper, No. 1
7	328-7	4	Screw-HH	33	104-5680-03	1	Frame-Carrier, Front
8	107-1979	2	Lift Cylinder ASM	35	115-3453	5	Carrier Frame ASM
9	107-1980	1	Lift Cylinder ASM	35:2	108-4000	2	Bushing
10	76-2980	6	Washer-Thrust	35:3	302-5	1	Fitting-Grease
11	3296-49	3	Nut-Lock, NI	36	112-9900-03	4	Guard-Foot
12	95-7158	3	Pin-Pivot	37	323-52	10	Screw-HH
13	32121-110	3	Pin-Roll, Slotted	38	93-8806	10	Washer-Hardened
14	105-9889	3	Cylinder Pin ASM	39	105-9823	10	Bushing-Carrier
15	104-8301	20	Nut-Flange, NI	40	105-9822	10	Spacer
16	32104-32	4	Screw-HWH	41	323-11	8	Screw-HH
17	105-3987-03	2	Plate-Skid	42	321-15	4	Screw-HH
18	108-4033	1	No. 4 Liftarm ASM	43	32128-33	4	Nut-HF
18:2	302-5	1	Fitting-Grease	44	3256-23	4	Washer-Flat
18:3	108-4000	2	Bushing	46	108-4034	1	No. 5 Liftarm ASM
18:4	104-0015	2	Bushing-Flange	46:2	302-5	1	Fitting-Grease
19	323-7	5	Screw-HH	46:3	108-4000	2	Bushing
20	108-4023	3	Shaft-Carrier, Pivot	46:4	104-0015	2	Bushing-Flange



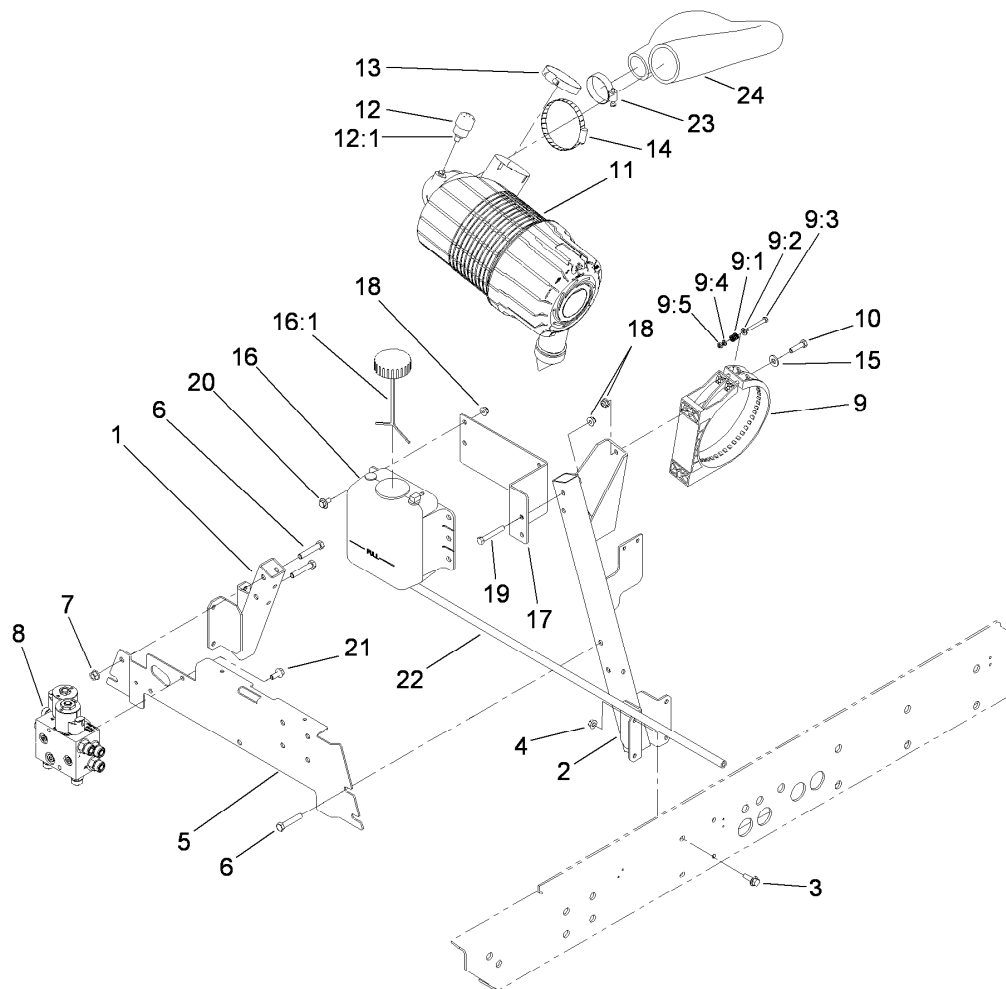
Hydraulic Cylinder Assembly No. 107-1979

<i>Ref.</i>	<i>Part Number</i>	<i>Qty.</i>	<i>Description</i>
1	107-1977	1	Seal Kit



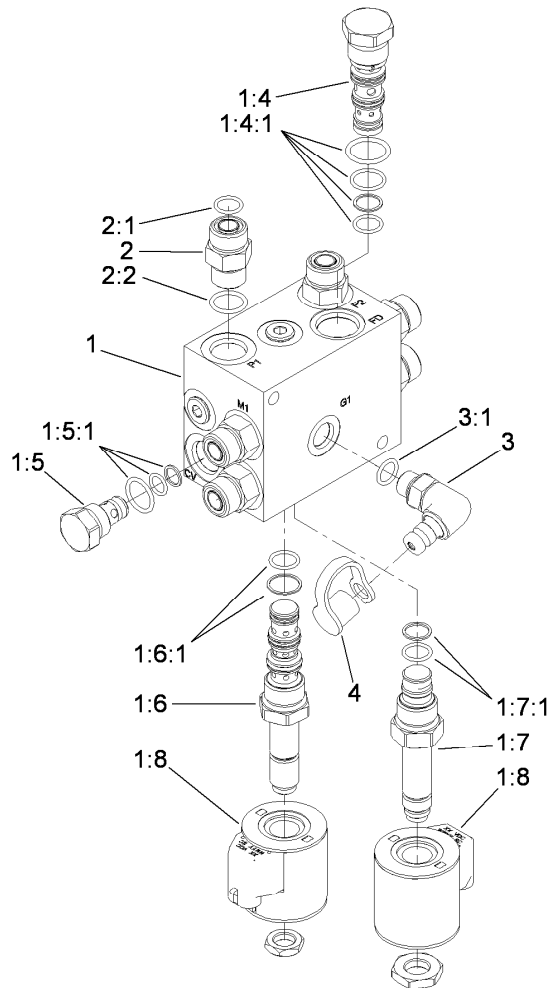
Hydraulic Cylinder Assembly No. 107-1980

<i>Ref.</i>	<i>Part Number</i>	<i>Qty.</i>	<i>Description</i>
1	107-1977	1	Seal Kit



Air Cleaner and Manifold Assembly

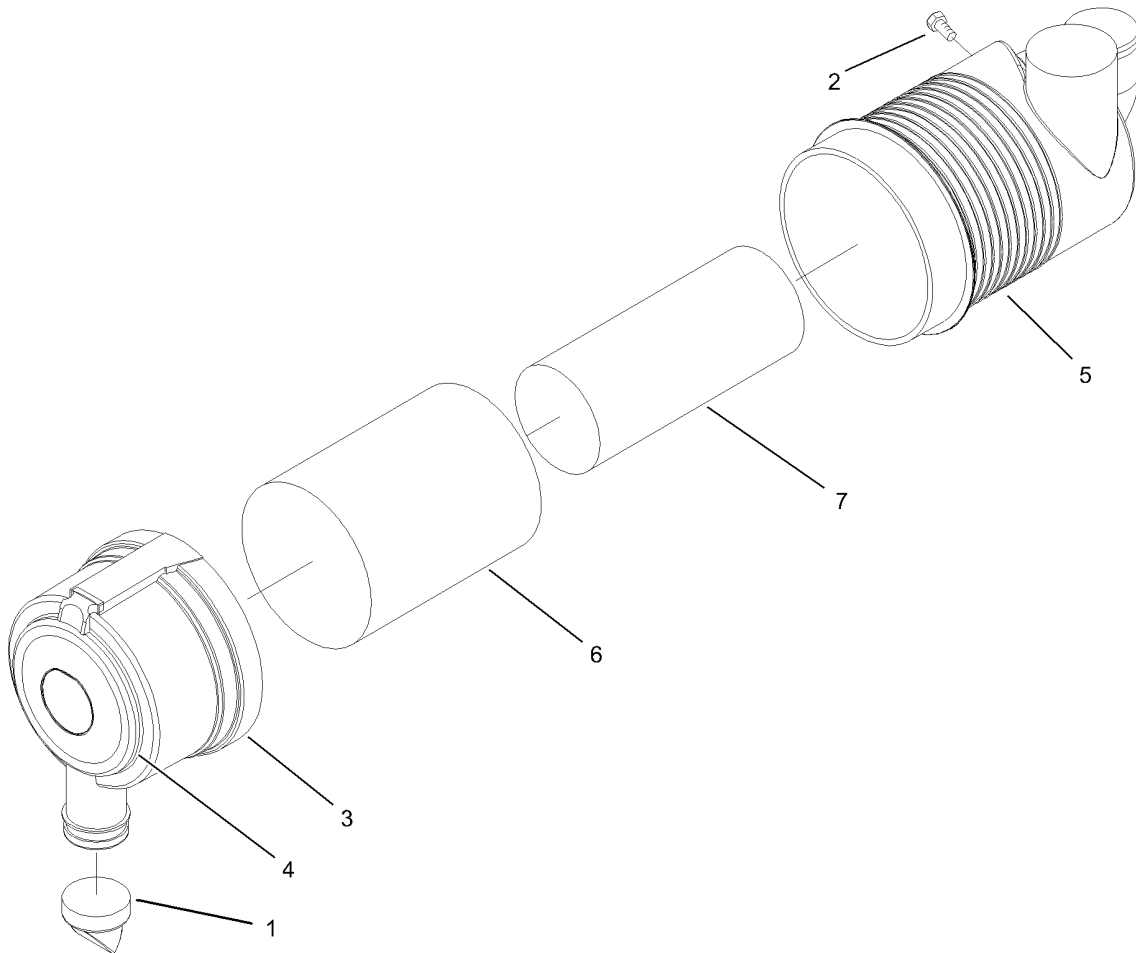
<i>Ref.</i>	<i>Part Number</i>	<i>Qty.</i>	<i>Description</i>	<i>Ref.</i>	<i>Part Number</i>	<i>Qty.</i>	<i>Description</i>
1	104-5420-03	1	Support-Battery	12	104-3563	1	Indicator
2	104-5417-03	1	Bracket-Conditioner, Air	12:1	94-1416	1	Indicator Adapter ASM
3	3234-29	8	Screw-HHF	13	2412-125	1	Clamp-Hose
4	32128-20	8	Nut-HF	14	2412-110	1	Clamp-Hose
5	114-8134-03	1	Bracket-Support	15	3256-3	2	Washer-Flat
6	323-10	4	Screw-HH	16	104-2276	1	Reservoir-Coolant
7	32128-21	4	Nut-HF	16:1	87-7050	1	Cap-Reservoir
8	117-2395	1	Fan Drive Manifold ASM	17	114-4187-03	1	Bracket-Tank
9	99-5414	1	Strap-Cleaner, Air	18	104-8300	8	Nut-Flange, NI
9:1	108-1512	2	Spring	19	322-11	2	Screw-HH
9:2	3256-22	2	Washer-Flat	20	3234-47	4	Screw-HHF
9:3	33113-050	2	Screw-HH	21	100-1668	2	Screw-Flange
9:4	33093-00	2	Washer-Flat	22	110-3258	1	Hose-Fuel
9:5	33023-00	2	Nut-Lock	23	2412-92	1	Clamp-Hose
10	322-6	2	Screw-HH	24	114-3838	1	Hose-Air Cleaner
11	99-5410	1	Cleaner-Air				



Fan Drive Manifold Assembly No. 117-2395

<i>Ref.</i>	<i>Part Number</i>	<i>Qty.</i>	<i>Description</i>
1		1	Manifold-Fan Drive ●
1:4	115-3024	1	Flow Divider
1:4:1	115-3025	1	Seal Kit
1:5	105-9321	1	Valve-Check
1:5:1	105-9156	1	Seal Kit
1:6	115-3023	1	Valve-Solenoid
1:6:1	110-8908	1	Seal Kit
1:7	115-3022	1	Relief-Proportional
1:7:1	110-6316	1	Seal Kit
1:8	110-6344	2	Coil-12V, Dc
2	340-4	7	Fitting-HYD, Straight
2:1	237-30	1	O-Ring
2:2	237-79	1	O-Ring
3	115-9148	1	Fitting-Elbow-90
3:1	237-42	1	O-Ring
4	354-79	1	Cap-Dust

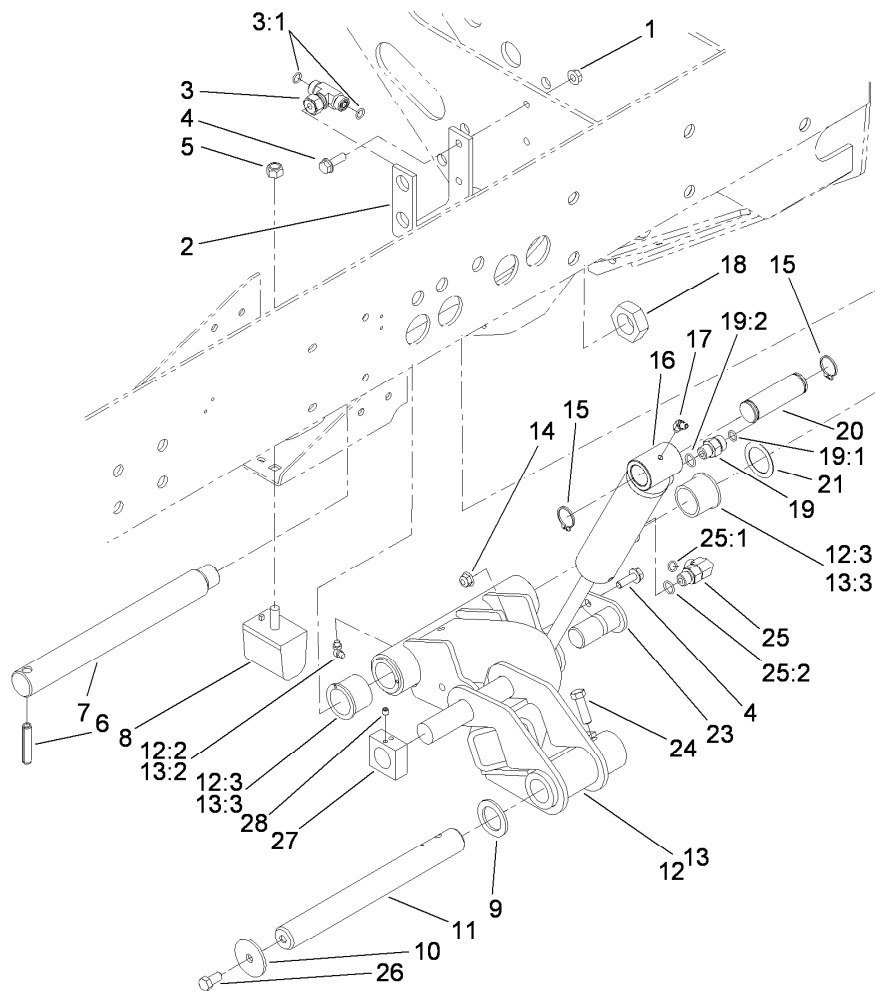
● Not serviced separately



Air Cleaner Assembly No. 99-5410

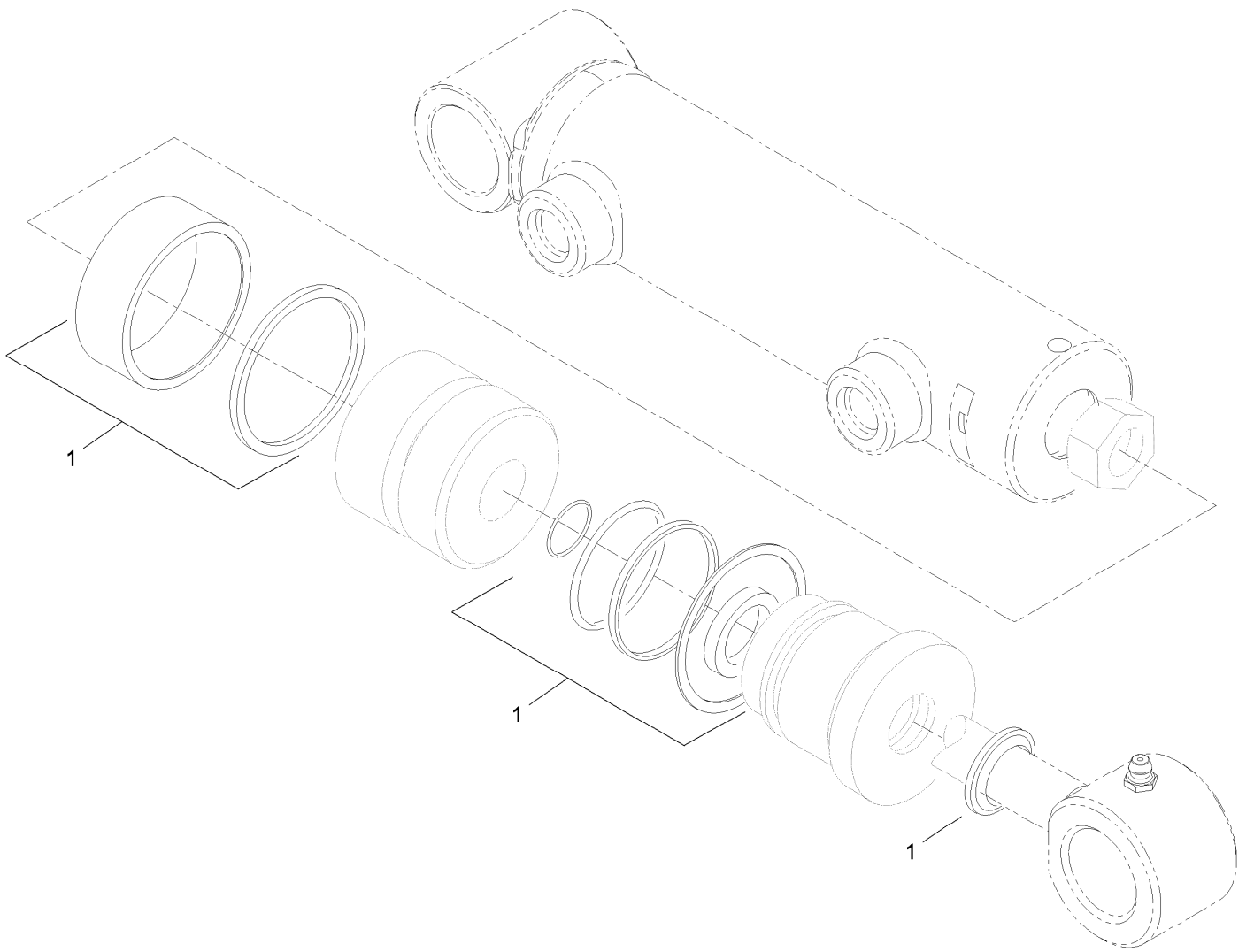
<i>Ref.</i>	<i>Part Number</i>	<i>Qty.</i>	<i>Description</i>
1	104-4258	1	Valve-Vacuator
2		1	Plug-Pipe ●
3	104-4259	1	Cover ASM
4		1	Marking ●
5		1	Body ASM ●
6	108-3814	1	Filter-Air
7	108-3816	1	Filter-Air

● Not serviced separately



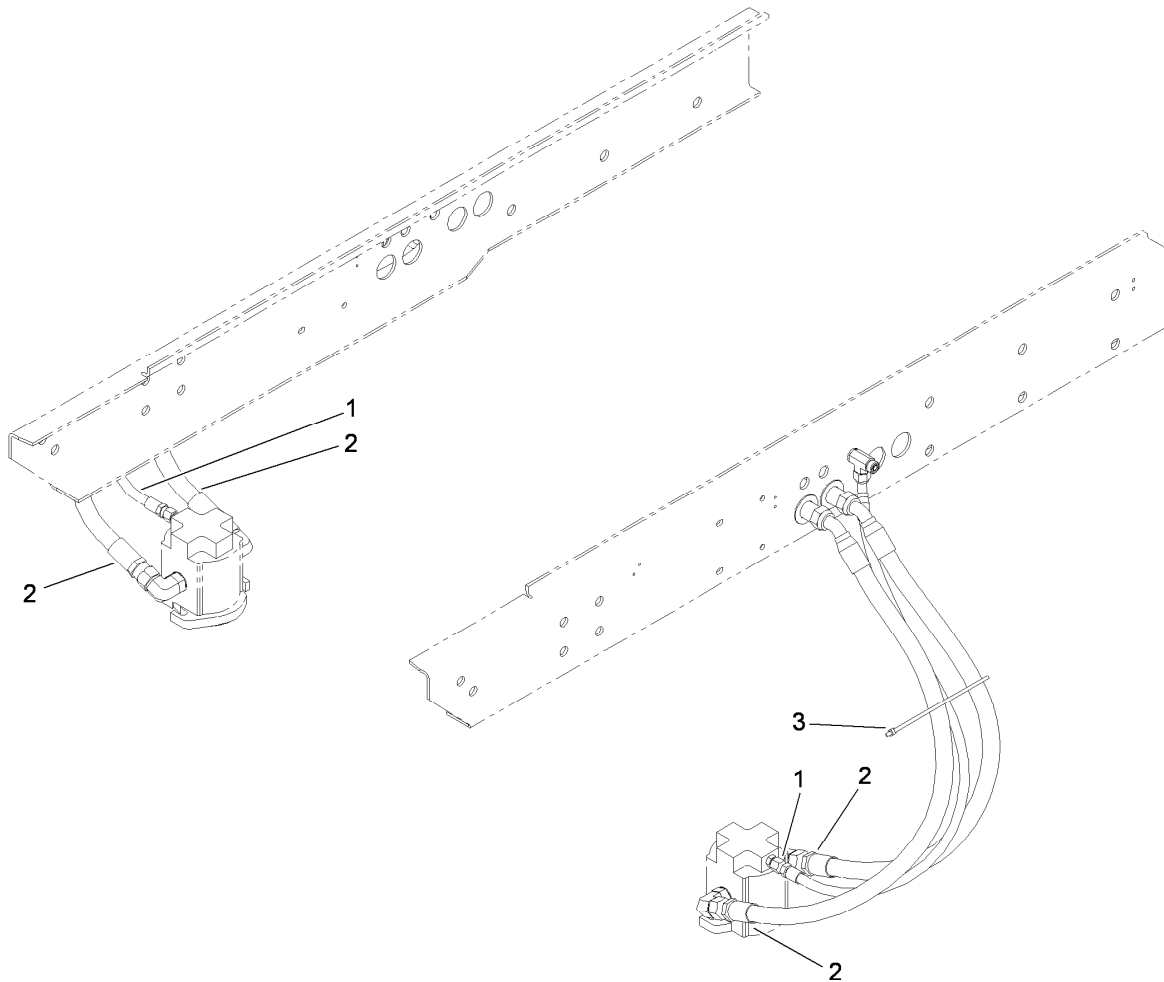
No. 2 and 3 Lift Arm Assembly

Ref.	Part Number	Qty.	Description	Ref.	Part Number	Qty.	Description
1	32128-20	2	Nut-HF	14	104-8300	2	Nut-Flange, NI
2	105-3992-03	1	Bracket-Bulkhead	15	32151-36	4	Ring-Retaining
3	340-166	2	Fitting-Tee, HYD	16	107-1978	2	Cylinder-Lift
3:1	237-22	2	O-Ring	17	302-11	2	Fitting-Lube, 45 DEG
4	3234-17	4	Screw-HHF	18	3296-49	2	Nut-Lock, NI
5	33025-00	2	Nut-Lock, NI	19	340-2	2	Fitting-HYD, Straight
6	32121-110	2	Pin-Roll, Slotted	19:1	237-22	1	O-Ring
7	95-7158	2	Pin-Pivot	19:2	237-42	1	O-Ring
8	87-3470	2	Bumper-Axle, Rear	20	92-7548	2	Pin-Cylinder
9	3-6781	2	Washer-Thrust	21	76-2980	2	Washer-Thrust
10	63-7400	2	Washer-Rebound	23	104-5525	2	Cylinder Pin ASM
11	105-9827	2	Shaft	24	323-7	2	Screw-HH
12	105-9202	1	No. 2 Lift Arm ASM	25	340-77	2	Fitting-HYD, 90 DEG
12:2	302-60	1	Fitting-Grease	25:1	237-22	1	O-Ring
12:3	104-0015	2	Bushing-Flange	25:2	237-42	1	O-Ring
13	105-9203	1	No. 3 Lift Arm ASM	26	323-4	2	Screw-HH
13:2	302-60	1	Fitting-Grease	27	105-9839	2	Stop-Rotation, No. 2 And 3
13:3	104-0015	2	Bushing-Flange	28	3245-32	4	Screw-HSH



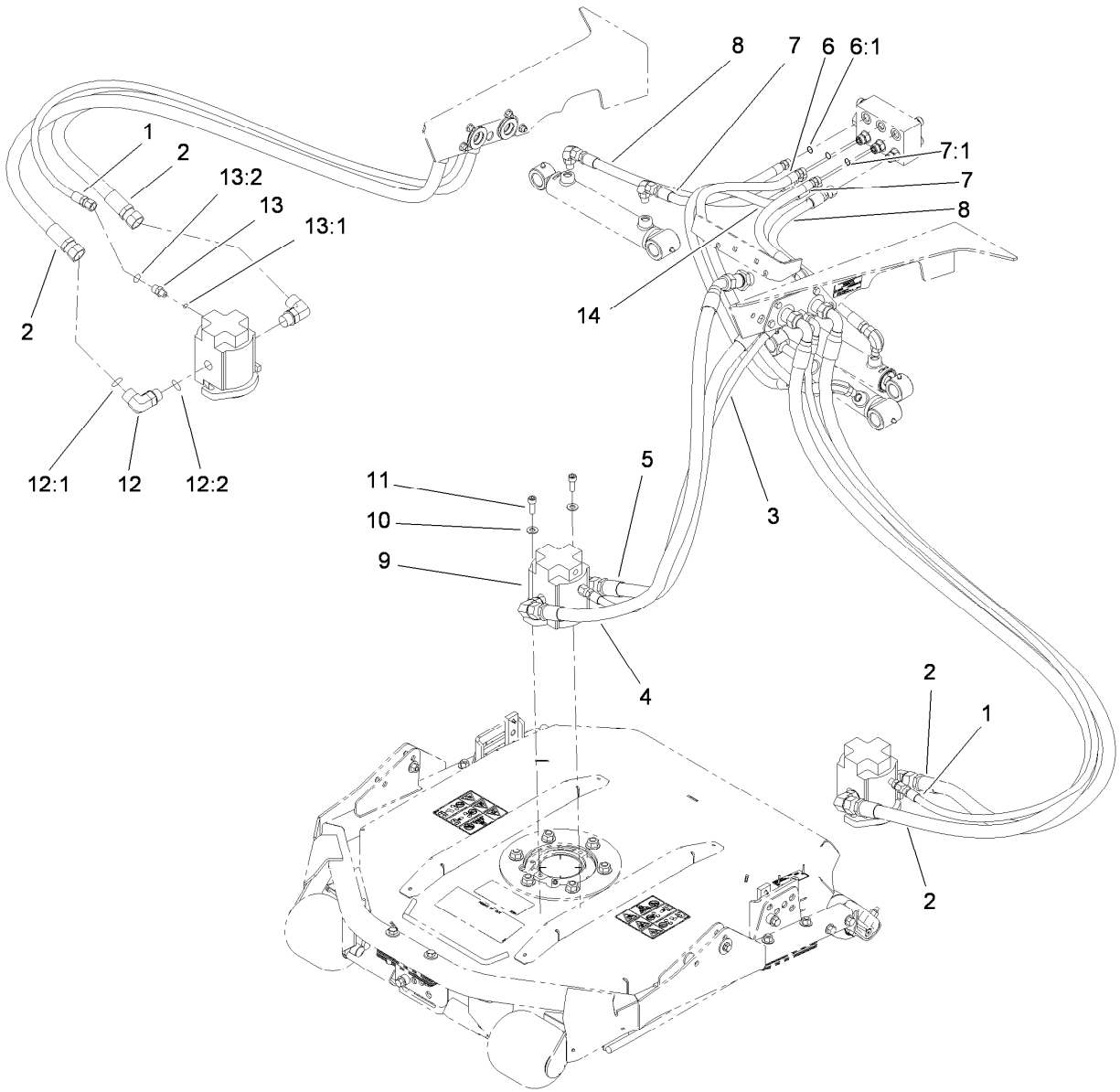
Hydraulic Cylinder Assembly No. 107-1978

<i>Ref.</i>	<i>Part Number</i>	<i>Qty.</i>	<i>Description</i>
1	107-1977	1	Seal Kit



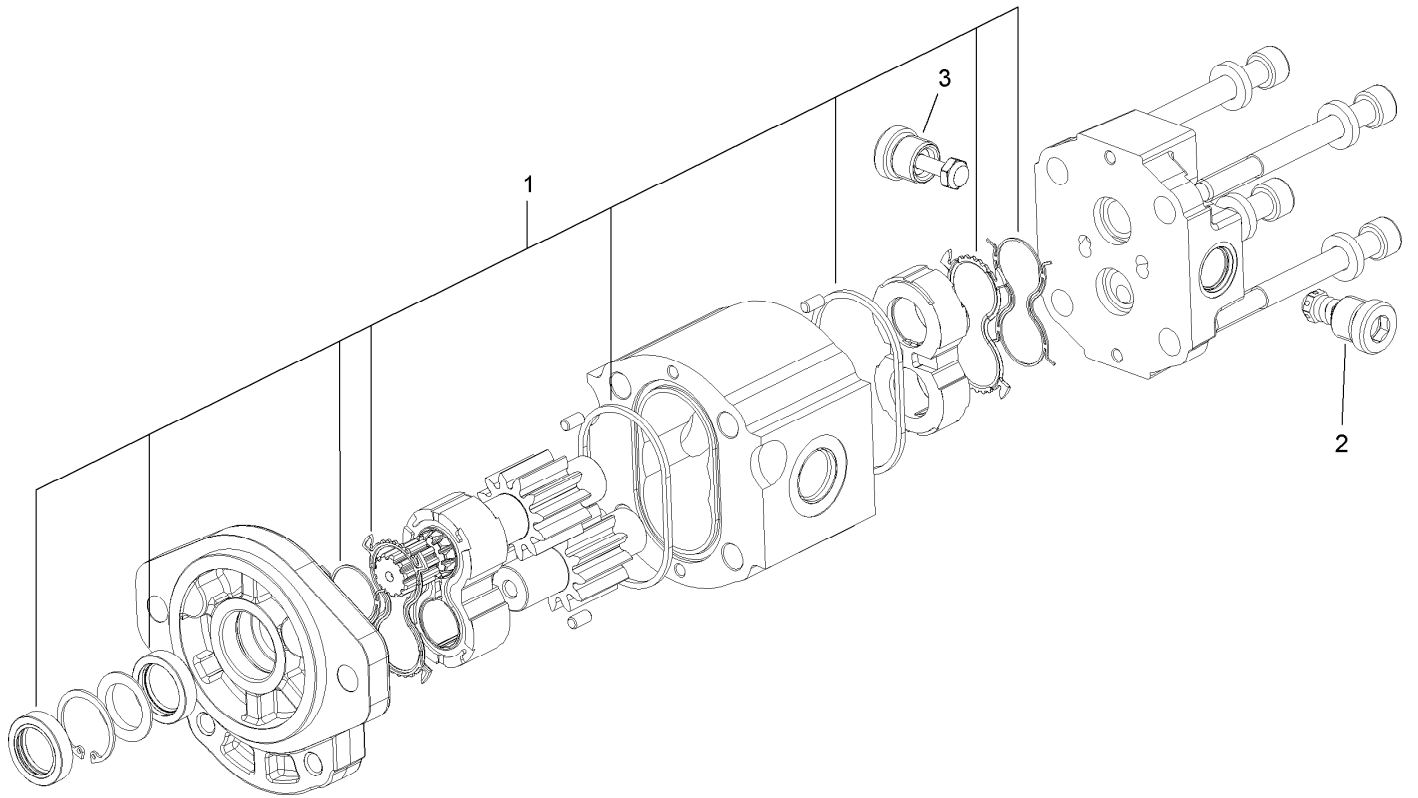
No. 2 and 3 Hose Installation Assembly

<i>Ref.</i>	<i>Part Number</i>	<i>Qty.</i>	<i>Description</i>
1	104-5502	2	Hose ASM
2	104-5505	4	Hose ASM
3	3290-379	2	Tie-Cable



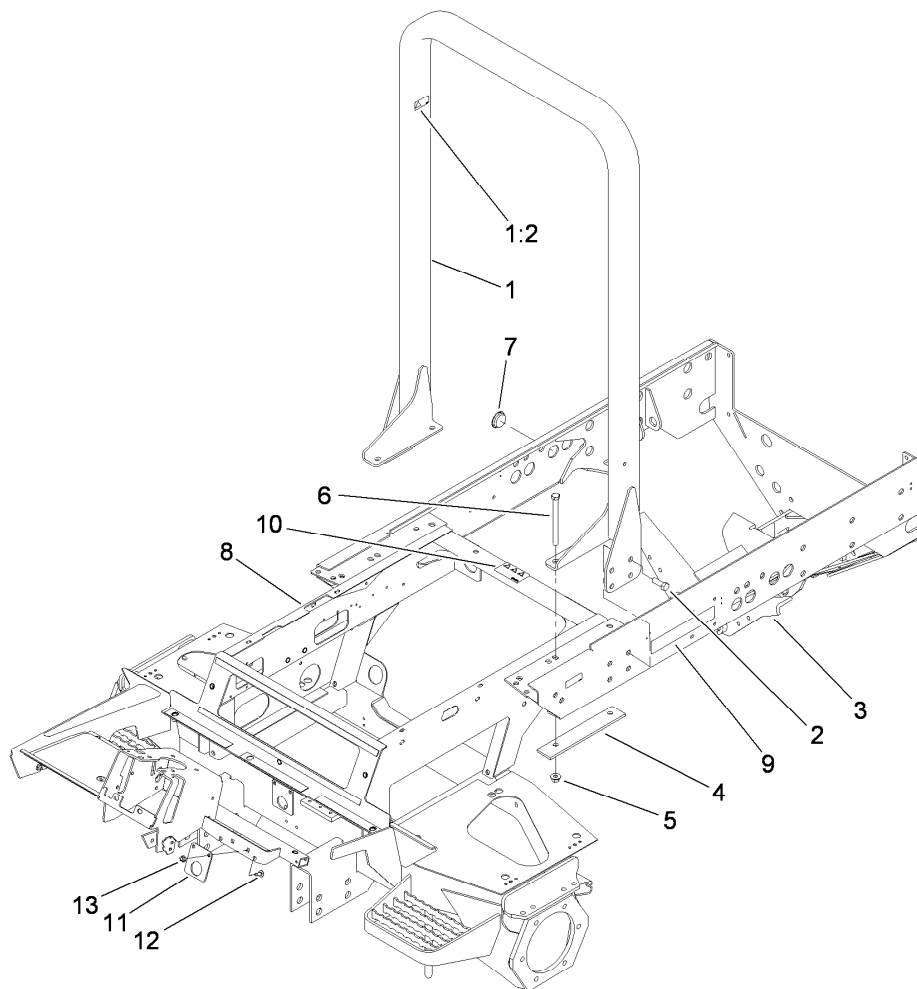
No. 1, 4 and 5 Hose Installation Assembly

<i>Ref.</i>	<i>Part Number</i>	<i>Qty.</i>	<i>Description</i>	<i>Ref.</i>	<i>Part Number</i>	<i>Qty.</i>	<i>Description</i>
1	104-5500	2	Hose ASM	9	105-9872	5	HYD Motor ASM
2	104-5501	4	Hose ASM	10	3256-24	10	Washer-Flat
3	104-5502	1	Hose ASM	11	3274-7	10	Screw-HSH
4	104-5504	1	Hose ASM	12	340-17	10	Fitting-HYD, 90 DEG
5	104-5505	1	Hose ASM	12:1	237-65	1	O-Ring
6	104-5511	1	Hose ASM	12:2	237-80	1	O-Ring
6:1	237-42	1	O-Ring	13	340-92	5	Fitting-HYD, Straight
7	104-5512	2	Hose ASM	13:1	237-78	1	O-Ring
7:1	237-42	1	O-Ring	13:2	237-21	1	O-Ring
8	99-3579	2	Hose ASM	14	100-5629	1	Hose ASM



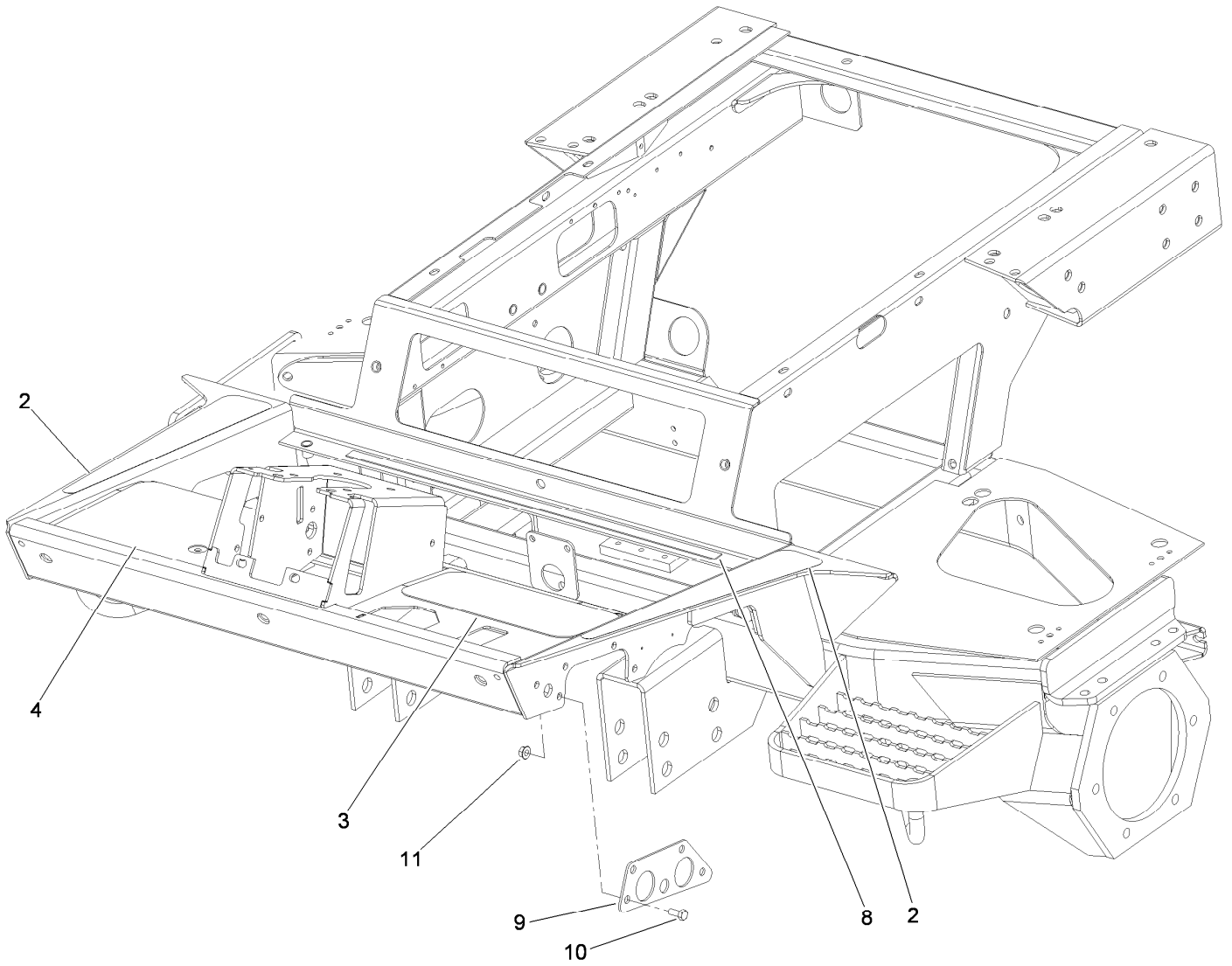
Hydraulic Motor Assembly No. 105-9872

<i>Ref.</i>	<i>Part Number</i>	<i>Qty.</i>	<i>Description</i>
1	107-7819	1	Seal Kit
2	107-7820	1	Valve-Relief
3	107-7821	1	Valve-Anticavitation



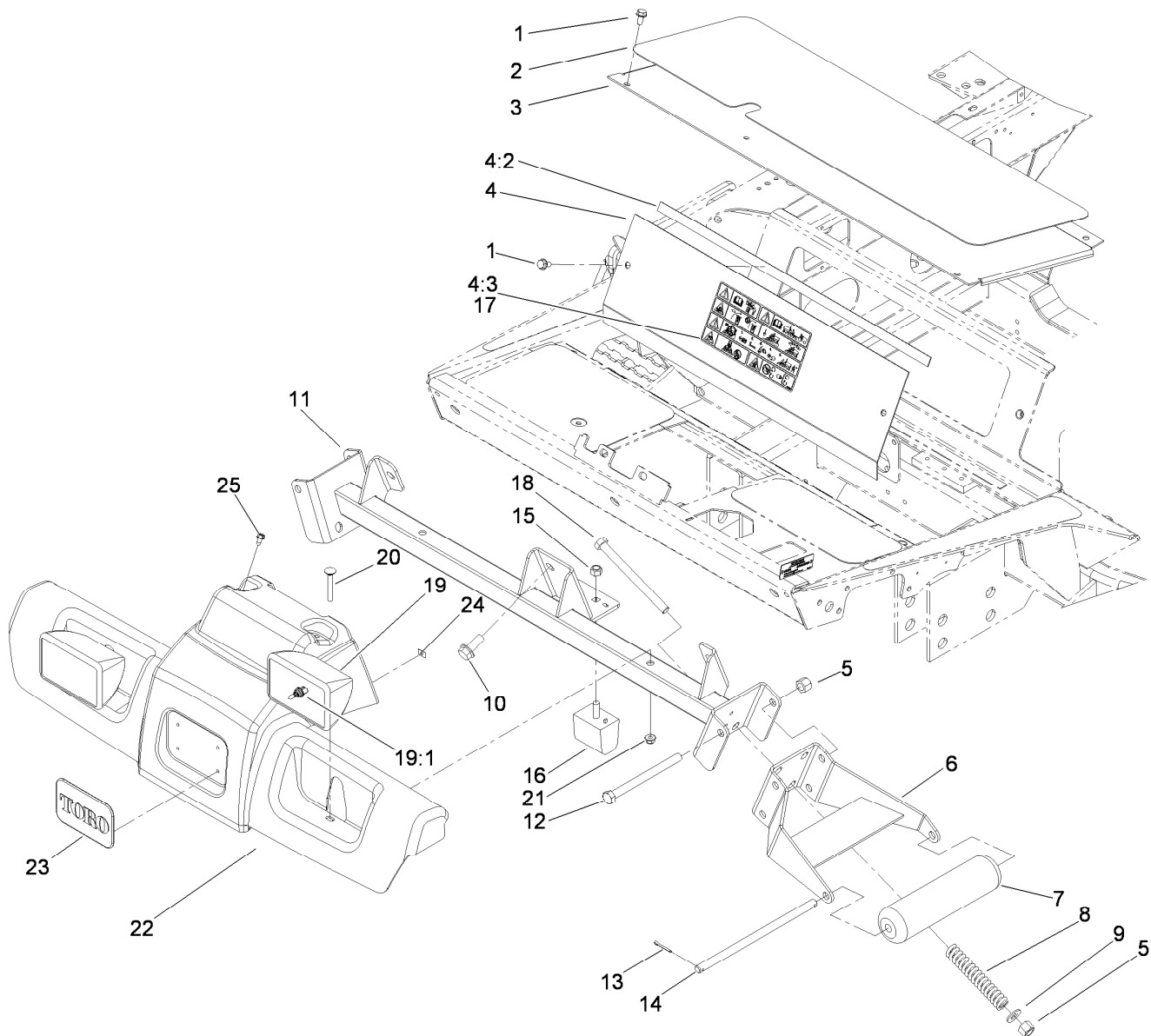
Roll-Over Protection System and Front Frame Assembly

<i>Ref.</i>	<i>Part Number</i>	<i>Qty.</i>	<i>Description</i>
1	108-4018	1	ROPS ASM
1:2	117-4776	1	Decal-ROPS
2	3234-38	12	Screw-HHF
3	115-4394-03	1	Frame-Rear
4	104-5584-03	2	Plate-Reinforcement, ROPS
5	32128-49	4	Nut-HHF
6	325-20	4	Screw-HH
7	105-9194	4	Plug
8	115-4392	1	Front Frame ASM
9	72-3560	2	Decal
10	106-6754	1	Decal-Danger
11	104-5516-01	1	Support-Tube
12	3230-23	2	Screw-CARR
13	32128-20	2	Nut-HF



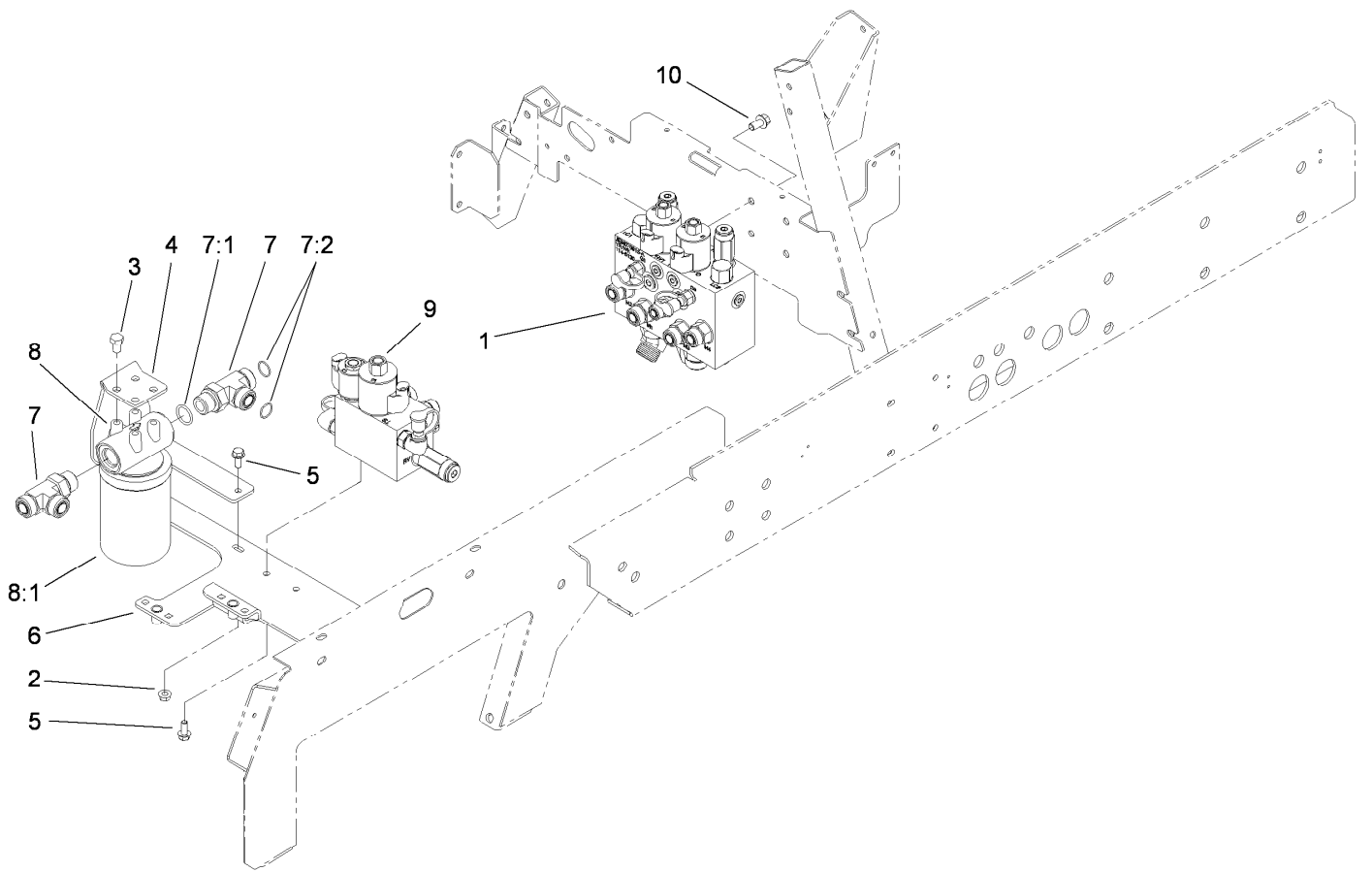
Front Frame Assembly No. 115-4392

<i>Ref.</i>	<i>Part Number</i>	<i>Qty.</i>	<i>Description</i>
2	93-7592	2	Tread-Rest, Foot
3	75-0620	1	Tread-Foot, LH
4	104-5223	1	Tread-Foot, RH
8	105-9860	2	Seal-Foam
9	106-7794-01	2	Plate-Mount, HYD Fitting
10	322-3	8	Screw-HH
11	32128-20	8	Nut-HF



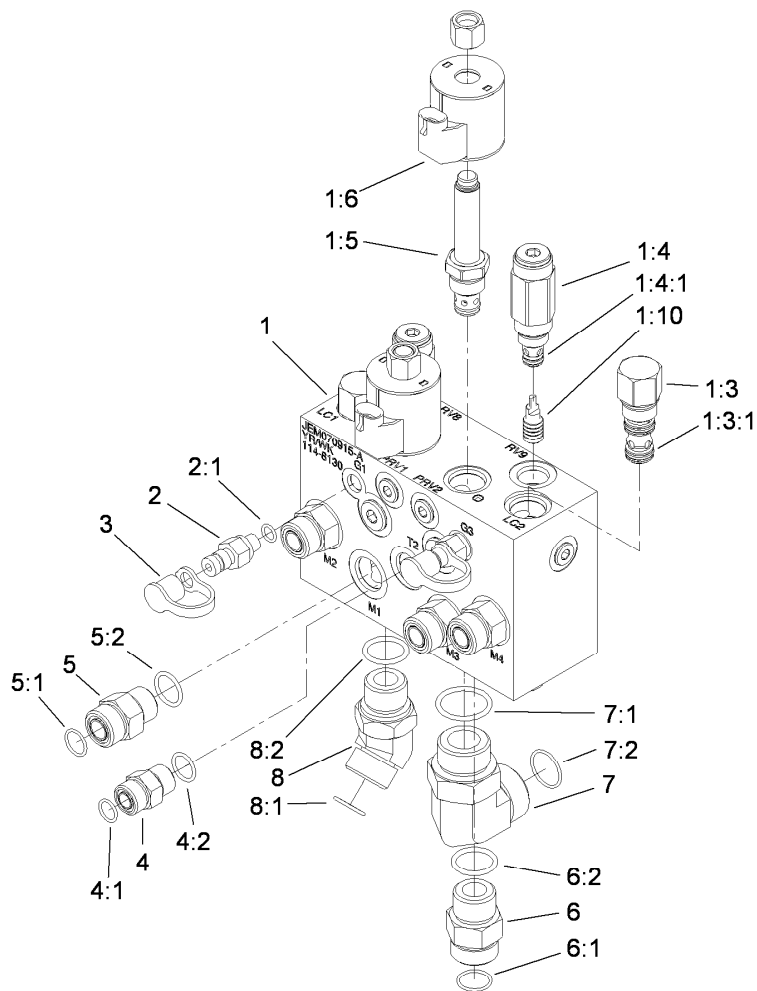
Front Shroud and Work Lights

<i>Ref.</i>	<i>Part Number</i>	<i>Qty.</i>	<i>Description</i>	<i>Ref.</i>	<i>Part Number</i>	<i>Qty.</i>	<i>Description</i>
1	3234-7	7	Screw-HHF	13	3272-11	4	Pin-Cotter
2	75-0630	1	Tread-Foot, Center	14	104-5545	2	Shaft-Roller
3	75-1410-01	1	Plate-Access, Floor	15	33025-00	1	Nut-Lock, NI
4	119-0006	1	Access Plate ASM	16	87-3470	1	Bumper-Axle, Rear
4:2	105-9860	2	Seal-Foam	17	112-5298	1	Decal-Danger, Ce
4:3	112-5297	1	Decal-Danger	18	325-20	2	Screw-HH
5	3296-23	4	Nut-Lock, NI	19	94-9024	2	Lamp ASM
6	105-3996-01	2	Support-Roller	19:1	95-0909	1	Lamp-12 Volt
7	105-9816	2	Roller-Plastic	20	3230-7	2	Screw-CARR
8	105-3970	2	Spring-Compression	21	104-8300	2	Nut-Flange, NI
9	3256-26	2	Washer-Flat	22	115-9137	1	Shroud-Platform
10	3234-38	3	Screw-HHF	23	93-6028	1	Plate-Logo
11	117-4760-01	1	Support-Roller	24	3254-9	4	Washer-Lock, Internal
12	325-22	2	Screw-HH	25	32104-17	2	Screw-HWH



Manifold and Filter Assembly

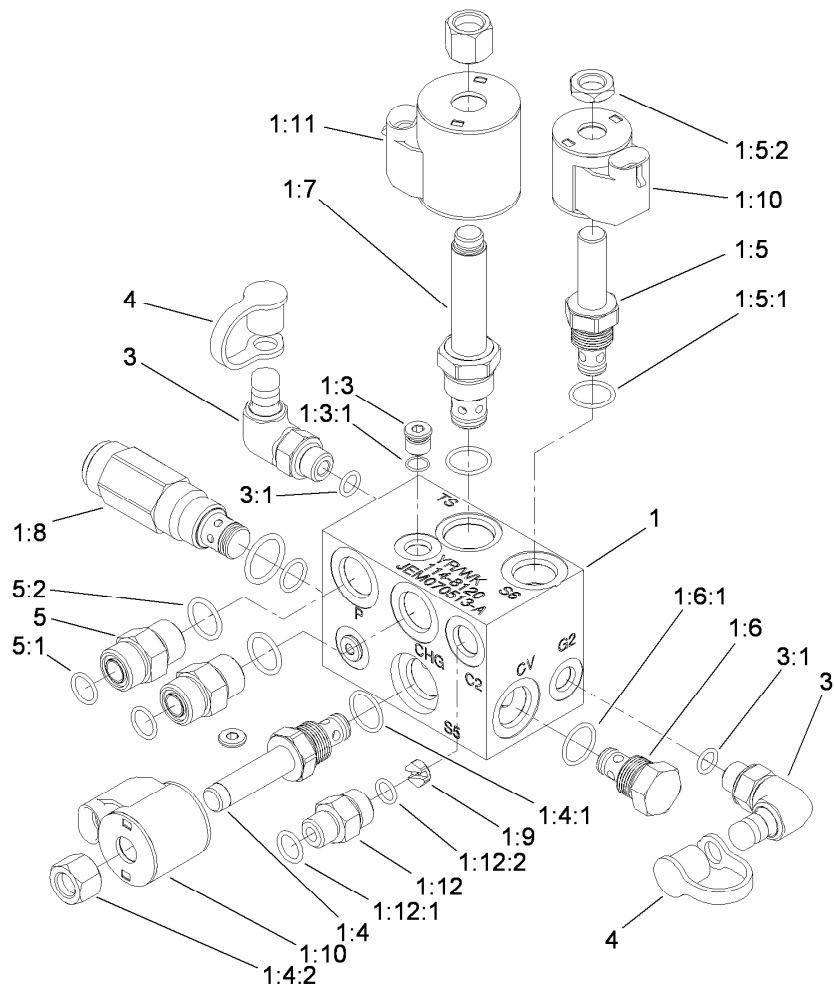
<i>Ref.</i>	<i>Part Number</i>	<i>Qty.</i>	<i>Description</i>
1	117-2392	1	Mow Manifold ASM
2	32128-20	2	Nut-HF
3	33115-016	4	Screw-HH
4	104-5492-03	1	Bracket-Mount, Filter
5	3234-5	8	Screw-HHF
6	117-2362	1	Bracket-Mount, Valve
7	340-148	2	Fitting-Tee
7:1	237-81	1	O-Ring
7:2	237-58	2	O-Ring
8	93-2242	1	Oil Filter ASM
8:1	75-1310	1	Element-Filter
9	117-2388	1	Lift Manifold ASM
10	110-1718	4	Screw-HHF



Mow Manifold Assembly No. 117-2392

Ref.	Part Number	Qty.	Description	Ref.	Part Number	Qty.	Description
1		1	Manifold-Mow ●	4:2	237-79	1	O-Ring
1:3	105-9153	2	Element-Logic, Vented	5	340-7	4	Adapter
1:3:1	105-9154	1	Seal Kit	5:1	237-65	1	O-Ring
1:4	112-5259	2	Valve-Relief	5:2	237-80	1	O-Ring
1:4:1	105-9156	1	Seal Kit	6	340-9	1	Fitting-Straight
1:5	110-8799	2	Relief-Proportional	6:1	237-58	1	O-Ring
1:6	110-6344	2	Coil-12V, Dc	6:2	237-81	1	O-Ring
1:10	105-9157	2	Piston-Pilot	7	340-129	1	Fitting-HYD, 90 DEG
2	354-77	2	Fitting-Quick	7:1	237-146	1	O-Ring
2:1	237-78	1	O-Ring	7:2	340-65	1	O-Ring
3	354-79	2	Cap-Dust	8	100-5530	1	Fitting-HYD, 45 DEG
4	340-4	1	Fitting-HYD, Straight	8:1	237-58	1	O-Ring
4:1	237-30	1	O-Ring	8:2	237-81	1	O-Ring

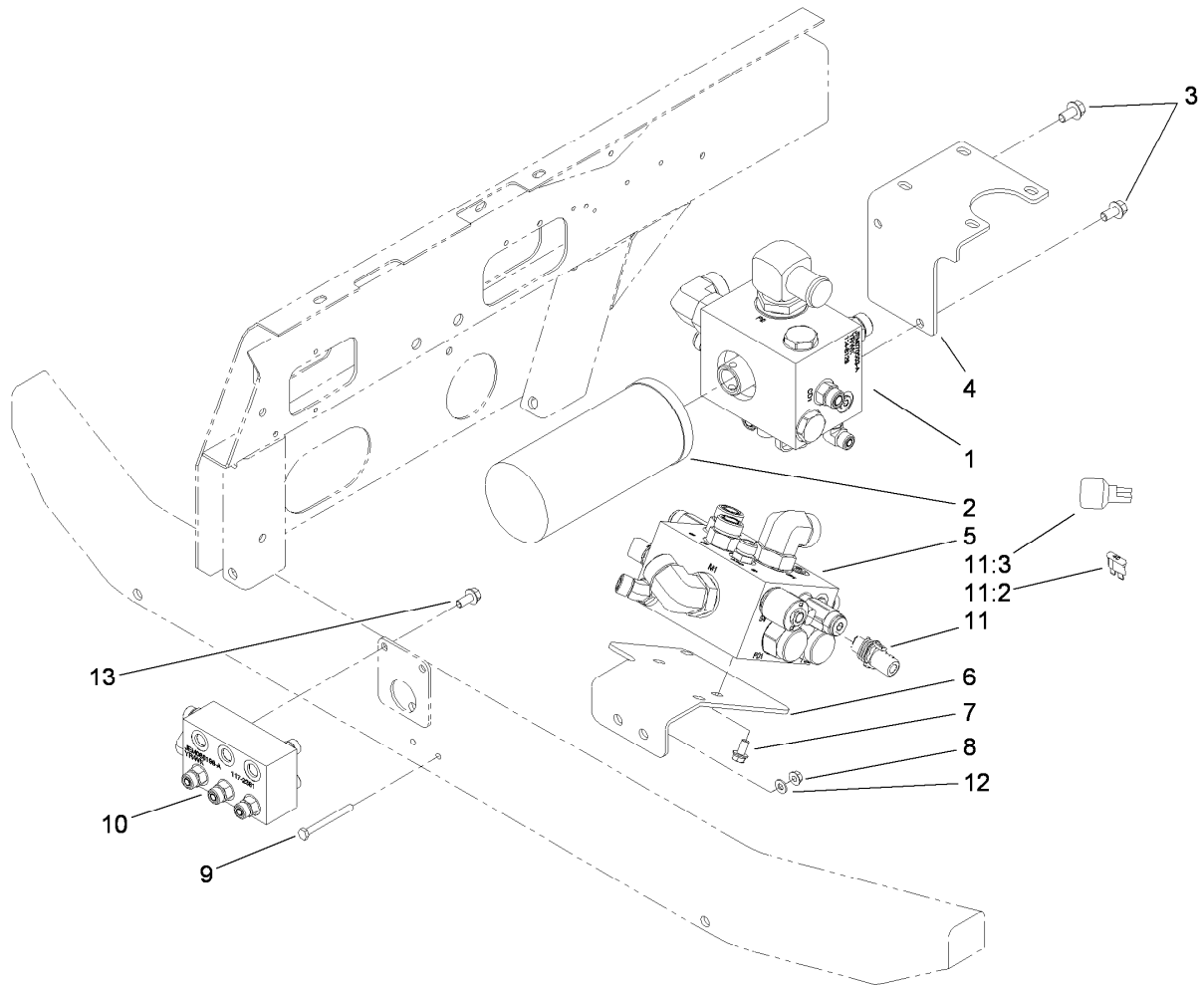
● Not serviced separately



Lift Manifold Assembly No. 117-2388

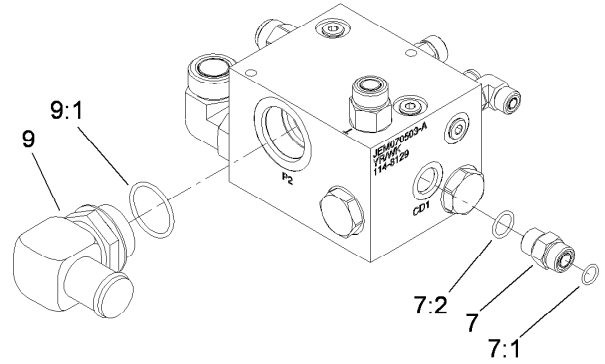
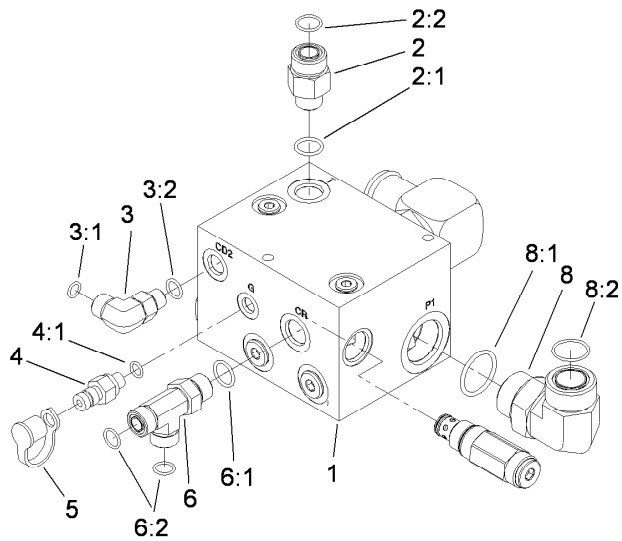
Ref.	Part Number	Qty.	Description	Ref.	Part Number	Qty.	Description
1		1	Manifold-Lift ●	1:9	117-4756	1	Orifice-Flow Control, .080
1:3	106-1025	3	Plug-HYD	1:10	110-0497	2	Coil-Solenoid
1:3:1	237-78	1	O-Ring	1:11	110-6344	1	Coil-12V, Dc
1:4	107-7517	1	Valve-Solenoid	1:12	340-2	1	Fitting-HYD, Straight
1:4:1	105-9156	1	Seal Kit	1:12:1	237-22	1	O-Ring
1:4:2	107-7812	1	Nut-Solenoid	1:12:2	237-42	1	O-Ring
1:5	112-9206	1	Valve-Solenoid	3	115-9147	2	Fitting-Elbow, 90 DEG
1:5:1	105-9156	1	Seal Kit	3:1	237-78	1	O-Ring
1:5:2	110-2634	1	Nut-Coil	4	354-79	2	Cap-Dust
1:6	105-9321	1	Valve-Check	5	340-4	2	Fitting-HYD, Straight
1:6:1	105-9156	1	Seal Kit	5:1	237-30	1	O-Ring
1:7	117-2399	1	Relief Valve-Proportional	5:2	237-79	1	O-Ring
1:8	117-4793	1	Valve-Relief				

● Not serviced separately



4-Wheel Drive Manifold and Filter Assembly

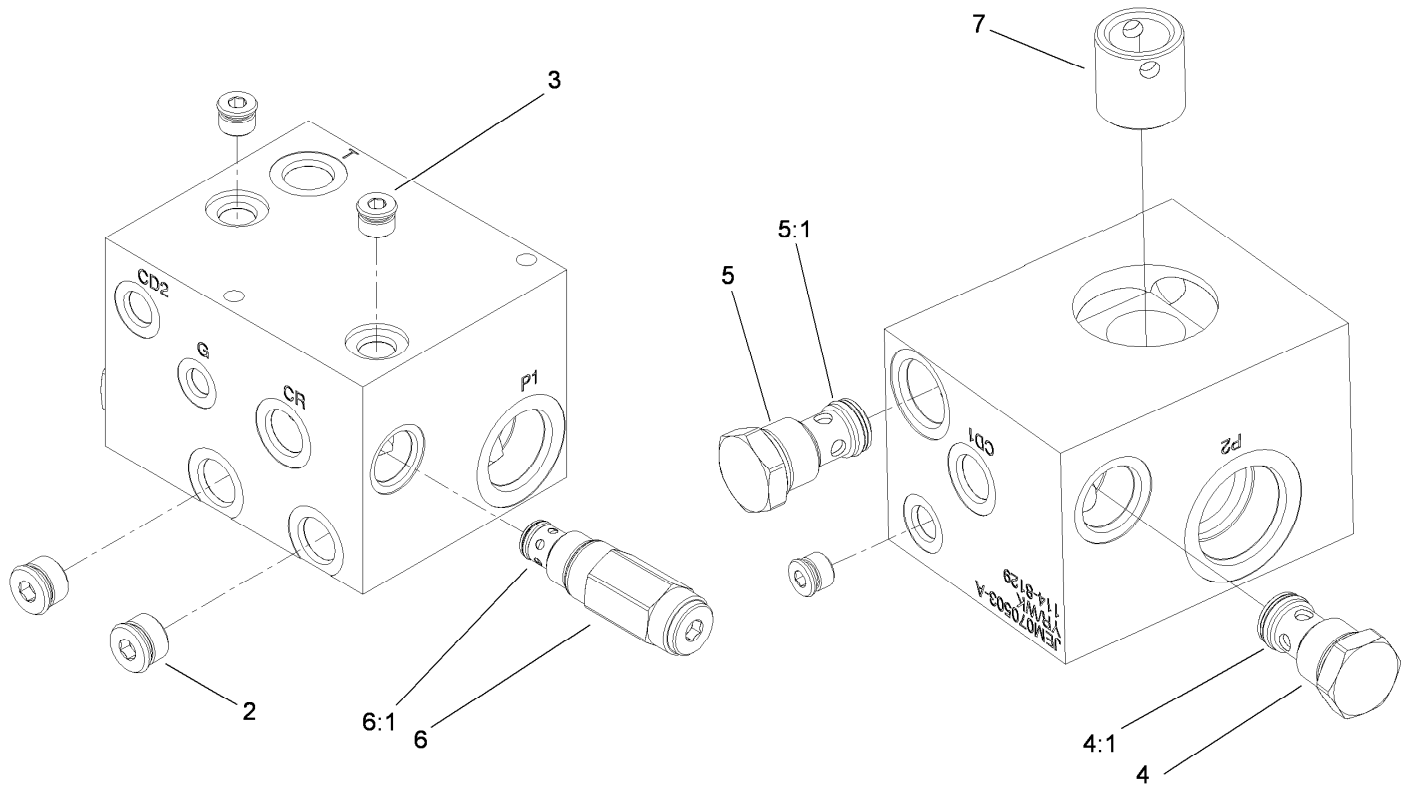
<i>Ref.</i>	<i>Part Number</i>	<i>Qty.</i>	<i>Description</i>
1	117-2391	1	Filter Manifold ASM
2	94-2621	1	Element-Filter
3	110-1718	2	Screw-HHF
4	114-8135-03	1	Bracket-Manifold, Filter
5	117-2390	1	4Wd Manifold ASM
6	104-5467-03	1	Bracket-Mount, Valve
7	3234-14	3	Screw-HHF
8	32128-33	2	Nut-HF
9	321-14	2	Screw-HH
10	117-2394	1	Junction Manifold ASM
11	115-9102	1	Harness-Wire, Main
11:2	99-6124	1	Fuse-Blade, 40 Amp
11:3	100-4918	1	Diode
12	3256-22	2	Washer-Flat
13	3234-5	2	Screw-HHF



Filter Manifold Assembly No. 117-2391

Ref.	Part Number	Qty.	Description
1		1	Manifold-Filter ●
2	340-155	1	Fitting-HYD, Straight
2:1	237-79	1	O-Ring
2:2	237-151	1	O-Ring
3	340-77	1	Fitting-HYD, 90 DEG
3:1	237-22	1	O-Ring
3:2	237-42	1	O-Ring
4	354-77	1	Fitting-Quick
4:1	237-78	1	O-Ring
5	354-79	1	Cap-Dust
6	340-109	1	Fitting-HYD, Tee
6:1	237-79	1	O-Ring
6:2	237-30	2	O-Ring
7	340-4	1	Fitting-HYD, Straight
7:1	237-30	1	O-Ring
7:2	237-79	1	O-Ring
8	340-129	1	Fitting-HYD, 90 DEG
8:1	237-146	1	O-Ring
8:2	340-65	1	O-Ring
9	92-7526	1	Fitting-HYD, 90 DEG
9:1	237-101	1	O-Ring

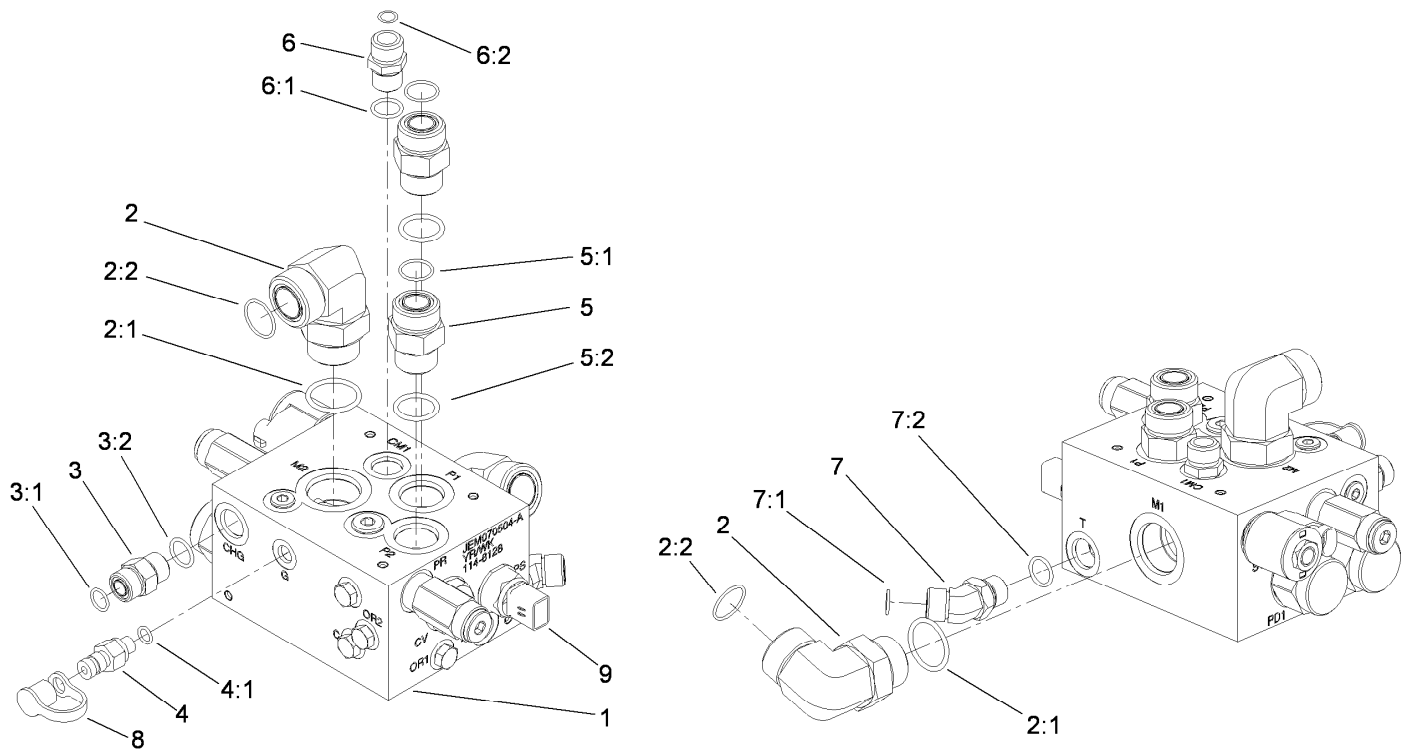
● Not serviced separately



Filter Manifold Assembly

Ref.	Part Number	Qty.	Description
2		2	Plug ●
3		3	Plug ●
4	110-0468	1	Valve-Check, 5 Psi
4:1	110-0470	1	Seal Kit
5	110-0467	1	Valve-Check, 40 Psi
5:1	110-0470	1	Seal Kit
6	115-4140	1	Valve-Check
6:1	105-9159	1	Seal Kit
7		1	Filter Nipple ●

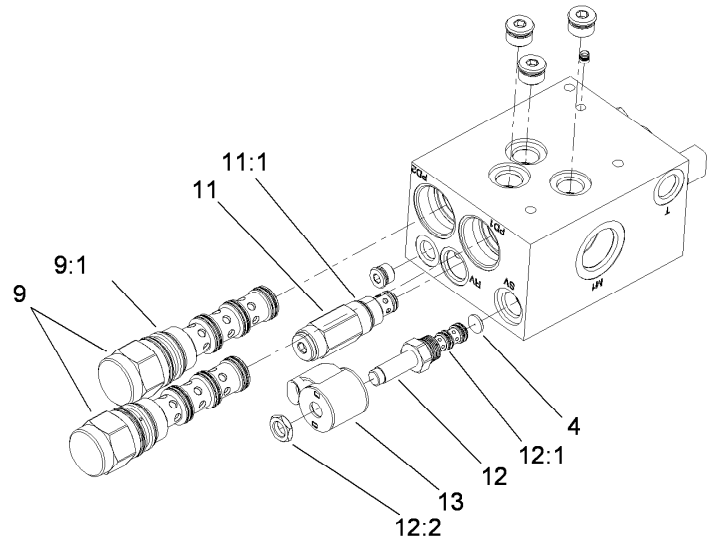
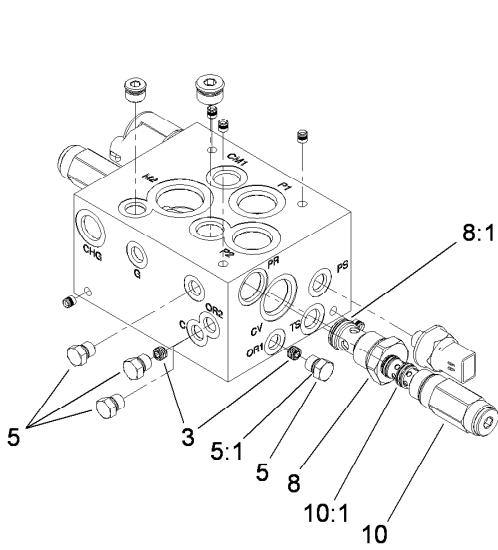
● Not serviced separately



4-Wheel Drive Manifold Assembly No. 117-2390

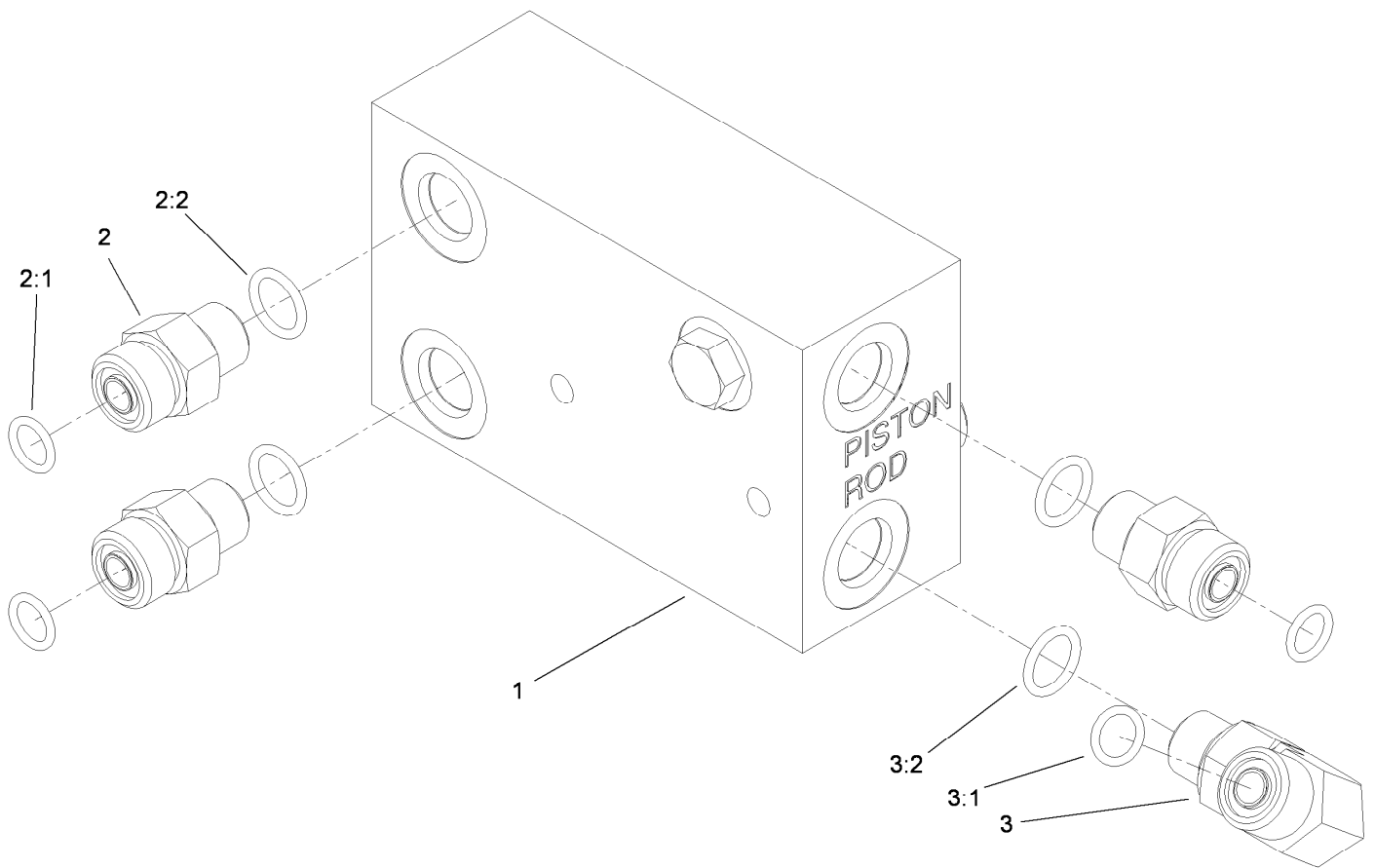
Ref.	Part Number	Qty.	Description
1		1	Manifold-4Wd ●
2	340-129	2	Fitting-HYD, 90 DEG
2:1	237-146	1	O-Ring
2:2	340-65	1	O-Ring
3	340-4	1	Fitting-HYD, Straight
3:1	237-30	1	O-Ring
3:2	237-79	1	O-Ring
4	354-77	1	Fitting-Quick
4:1	237-78	1	O-Ring
5	340-9	2	Fitting-Straight
5:1	237-58	1	O-Ring
5:2	237-81	1	O-Ring
6	100-4890	1	Fitting-Check
6:1	237-79	1	O-Ring
6:2	237-30	1	O-Ring
7	340-101	1	Fitting-HYD, 45 DEG
7:1	237-30	1	O-Ring
7:2	237-79	1	O-Ring
8	354-79	1	Cap-Dust
9	115-9132	1	Sensor-Pressure

● Not serviced separately



4-Wheel Drive Manifold Assembly

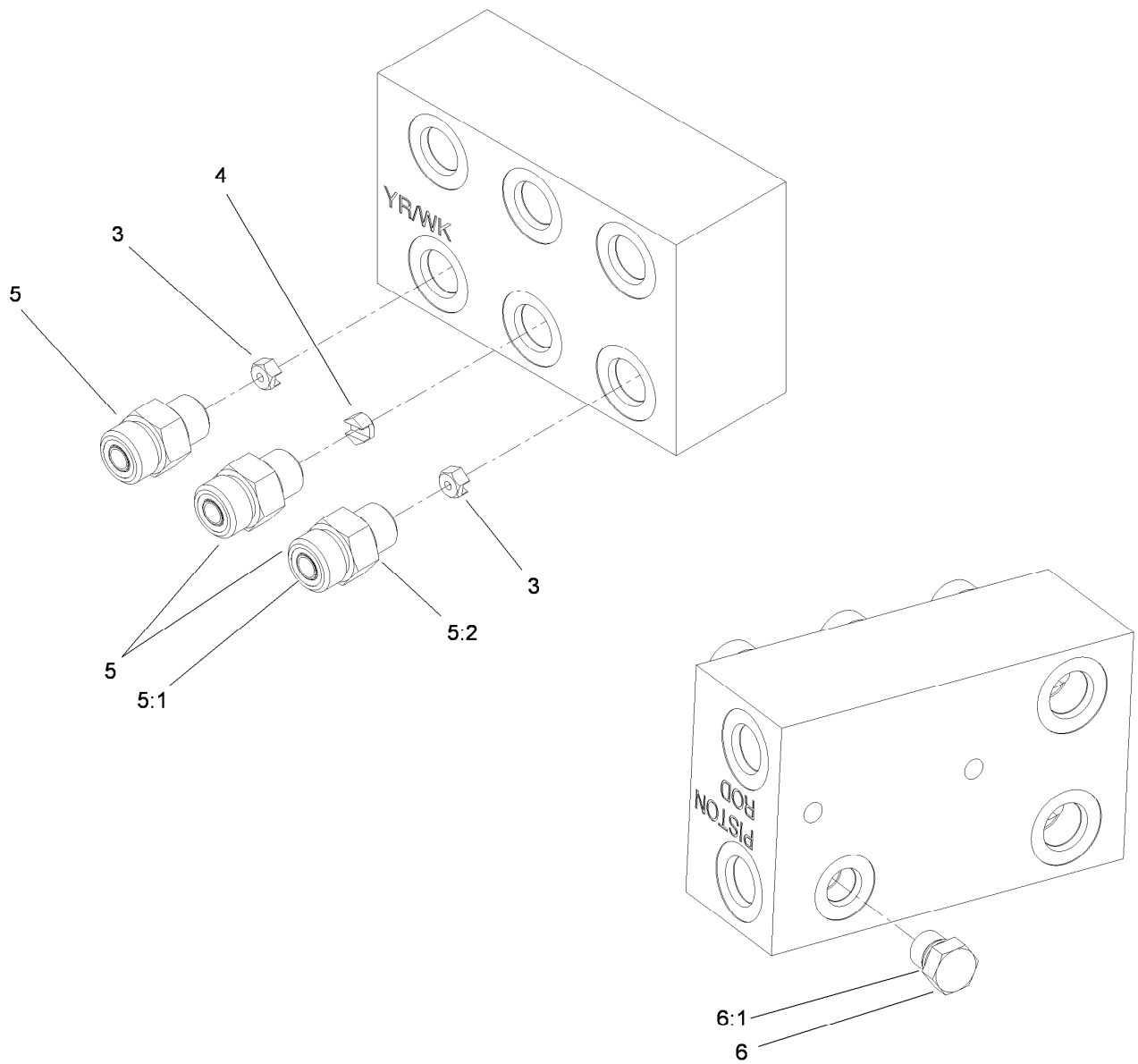
<i>Ref.</i>	<i>Part Number</i>	<i>Qty.</i>	<i>Description</i>
3	110-0495	2	Orifice (.050)
4	110-0498	1	Orifice (.030)
5	117-0115	4	Plug-HYD
5:1	237-78	1	O-Ring
8	110-0468	1	Valve-Check, 5 Psi
8:1	110-0470	1	Seal Kit
9	110-0491	2	Valve-Directional
9:1	106-6775	1	Seal Kit
10	110-0496	1	Valve-Reducing, Pressure
10:1	105-9154	1	Seal Kit
11	112-9205	1	Valve-Relief
11:1	105-9159	1	Seal Kit
12	110-0494	1	Valve-Solenoid
12:1	110-8773	1	Seal Kit
12:2	110-2634	1	Nut-Coil
13	110-0497	1	Coil-Solenoid



Junction Manifold Assembly No. 117-2394

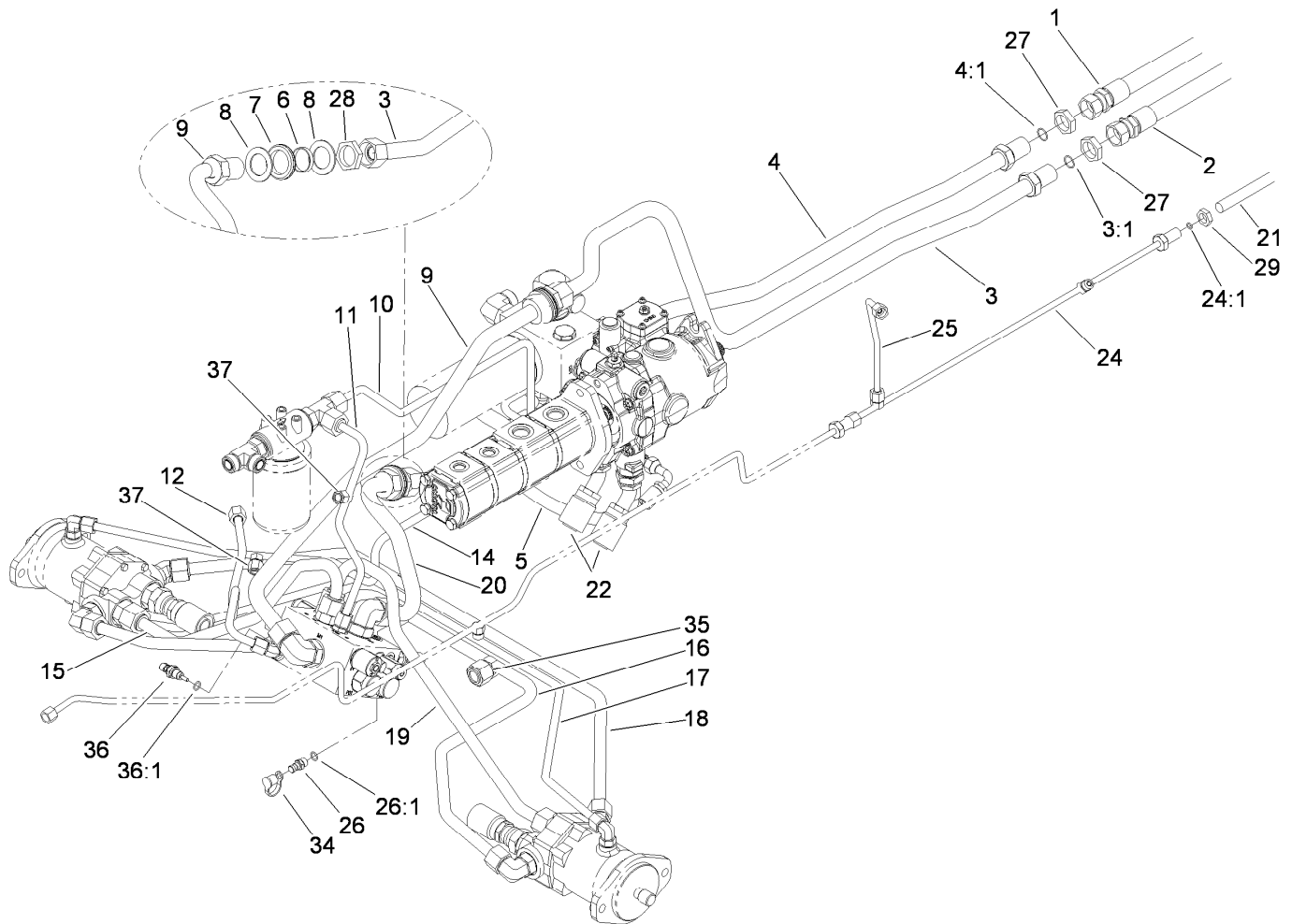
<i>Ref.</i>	<i>Part Number</i>	<i>Qty.</i>	<i>Description</i>
1		1	Manifold-Junction ●
2	340-2	3	Fitting-HYD, Straight
2:1	237-22	1	O-Ring
2:2	237-42	1	O-Ring
3	340-77	1	Fitting-HYD, 90 DEG
3:1	237-22	1	O-Ring
3:2	237-42	1	O-Ring

● Not serviced separately



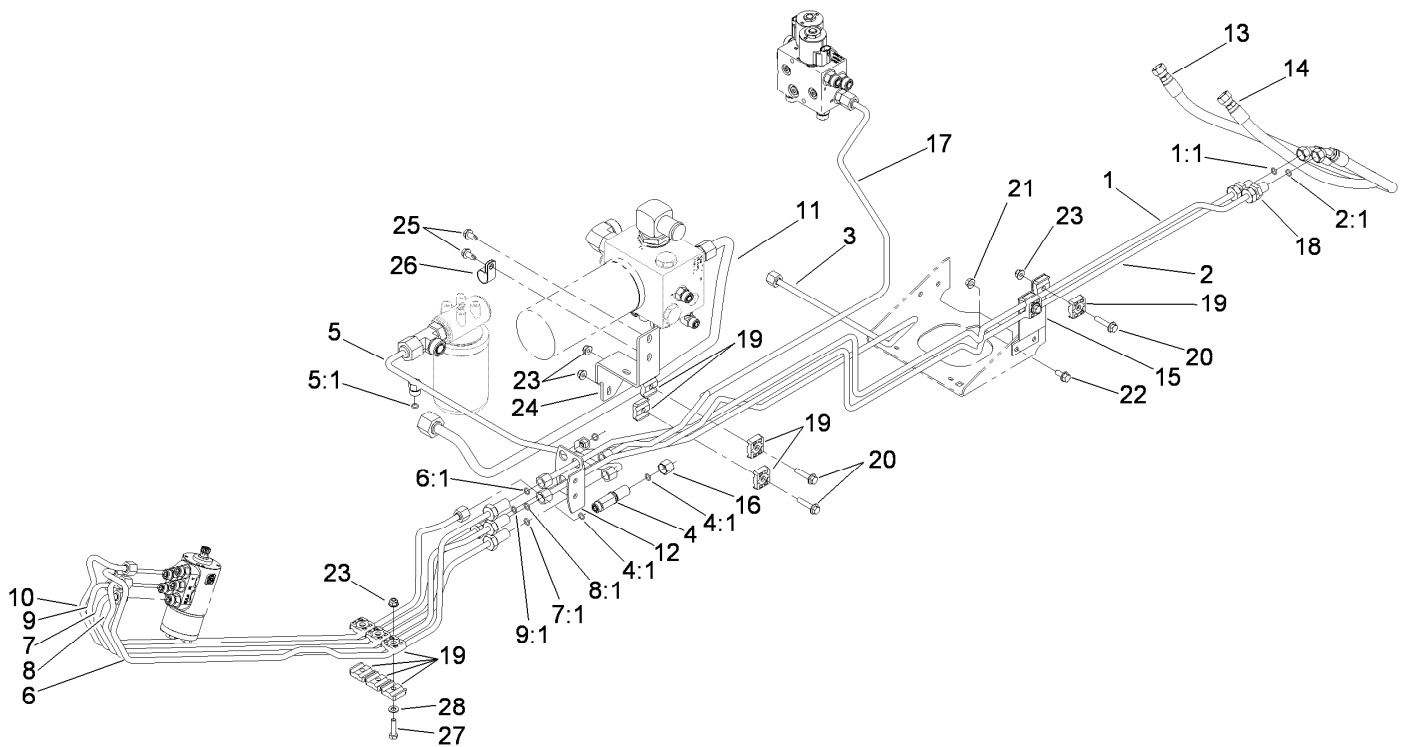
Junction Manifold Assembly

Ref.	Part Number	Qty.	Description
3	119-2009	2	Orifice-Flow Control (0.030)
4	119-2010	1	Orifice-Flow Control (0.055)
5	340-2	3	Fitting-HYD, Straight
5:1	237-22	1	O-Ring
5:2	237-42	1	O-Ring
6	117-0115	1	Plug-HYD
6:1	237-78	1	O-Ring



Traction Hydraulic Lines Assembly

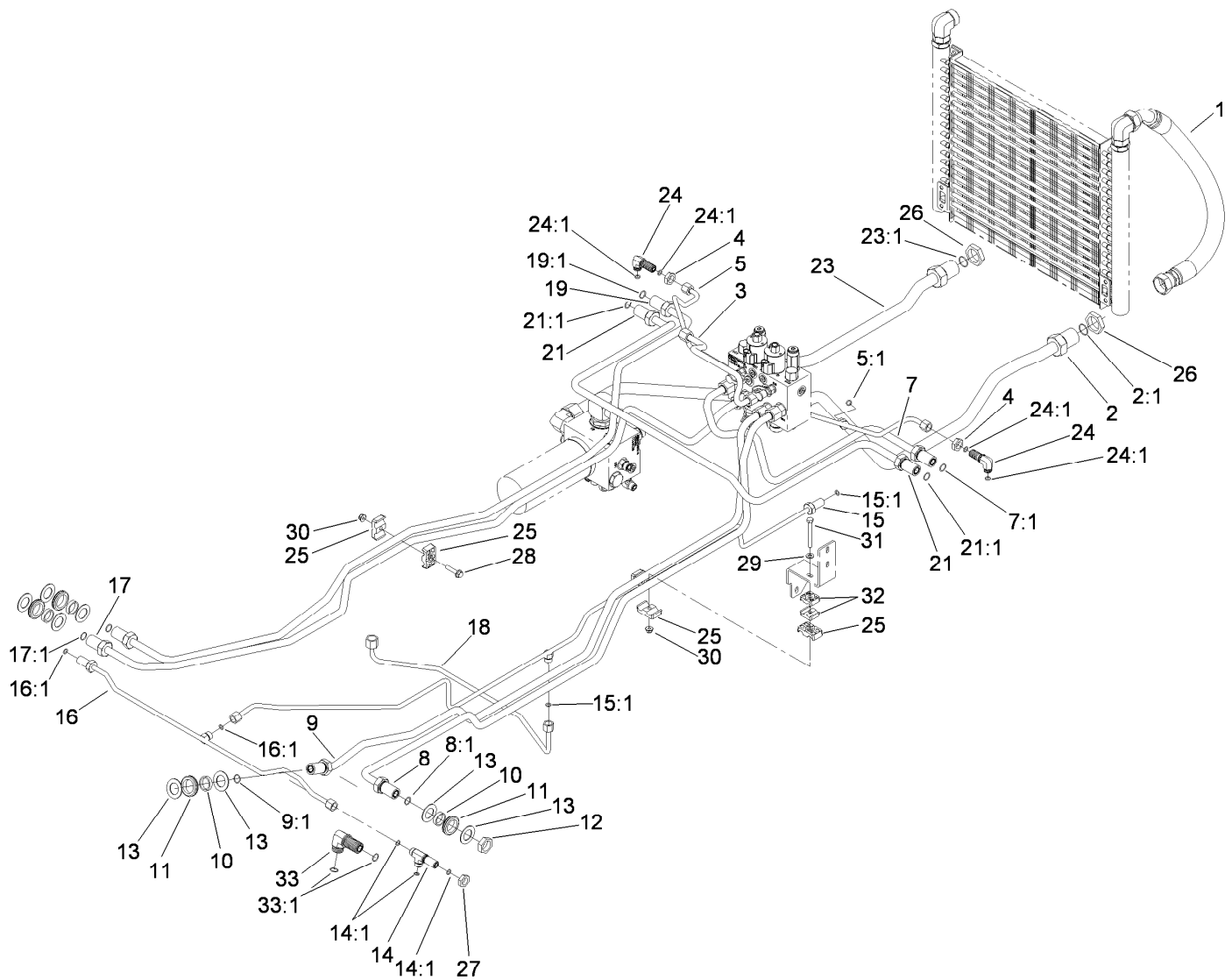
<i>Ref.</i>	<i>Part Number</i>	<i>Qty.</i>	<i>Description</i>	<i>Ref.</i>	<i>Part Number</i>	<i>Qty.</i>	<i>Description</i>
1	92-7536	1	Hose ASM	18	104-5462	1	Tube ASM
2	105-9818	1	Hose ASM	19	114-8146	1	Tube-HYD
3	114-8118	1	Tube-HYD	20	114-8147	1	Tube-HYD
3:1	237-58	1	O-Ring	21	92-7534	1	Hose ASM
4	115-4431	1	Tube-HYD	22	104-5464	2	Hose ASM
4:1	237-58	1	O-Ring	24	114-4194	1	Tube-HYD
5	105-7927	1	HYD Hose ASM	24:1	237-22	3	O-Ring
6	69-8950	2	Spacer	25	115-9124	1	Tube-HYD
7	240-2	2	Grommet-Rubber	26	59-7410	2	Tip-Nipple, Diagnostic
8	69-8920	4	Washer	26:1	237-42	1	O-Ring
9	114-8149	1	Tube-HYD	27	340-126	2	Nut-Bulkhead
10	115-4426	1	Tube-HYD	28	340-128	2	Nut-Bulkhead
11	114-8148	1	Tube-HYD	29	340-70	1	Nut-Lock
12	115-4351	1	Tube-HYD	34	354-79	2	Cap-Dust
14	115-4427	1	Tube-HYD	35	95-0979	1	Cap-Ors
15	114-8145	1	Tube-HYD	36	110-8829	1	Sender-Temperature
16	115-9113	1	Tube-HYD	36:1	237-42	1	O-Ring
17	115-9126	1	Tube-HYD	37	340-117	2	Cap



Hydraulic Steering Assembly

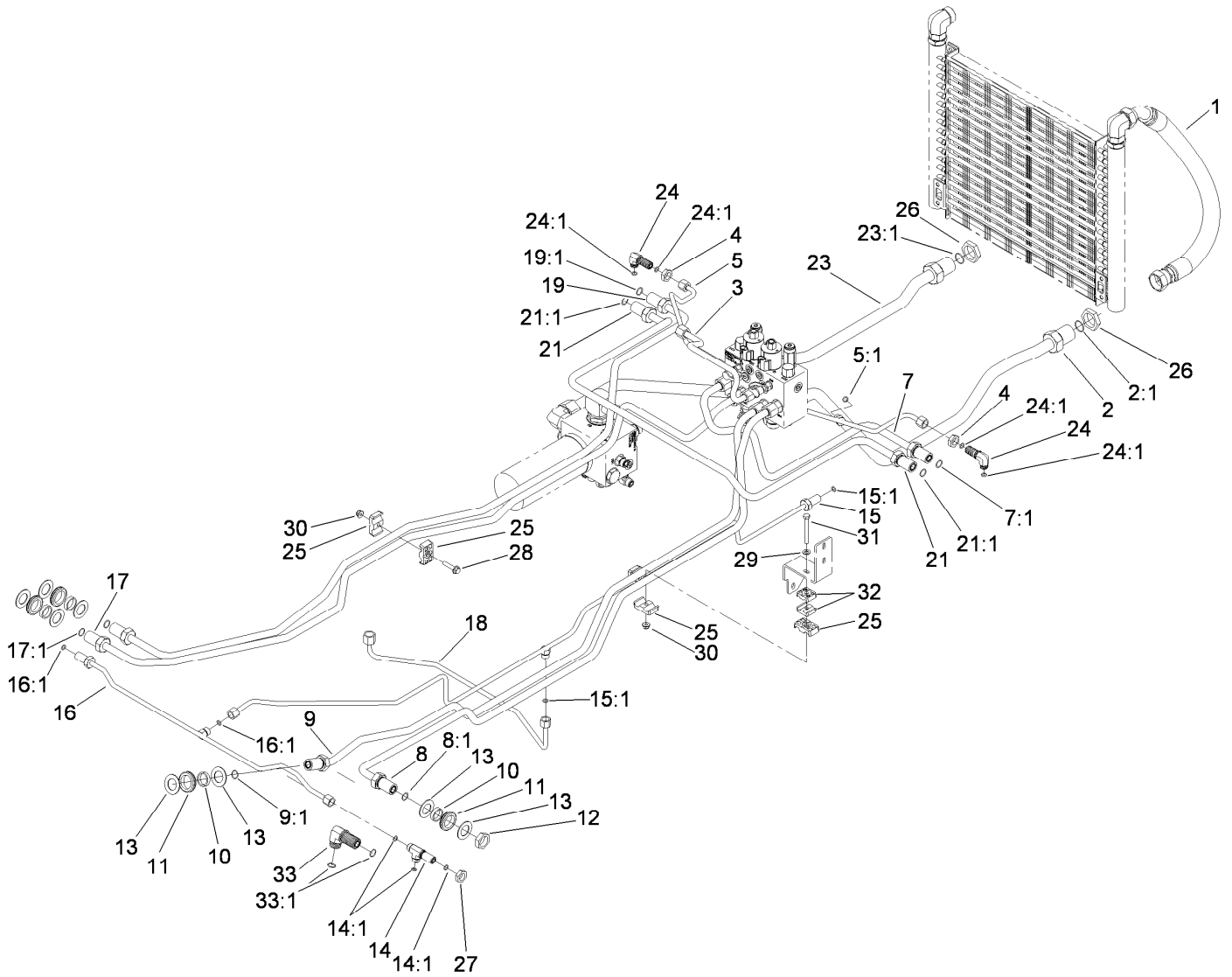
Ref.	Part Number	Qty.	Description
1	105-3871	1	Tube ASM
1:1	237-22	1	O-Ring
2	115-9128	1	Tube-HYD
2:1	237-22	1	O-Ring
3	115-4428	1	Tube-HYD
4	340-68	1	Fitting-Tee, Bulkhead
4:1	237-22	3	O-Ring
5	115-4412	1	Tube-HYD
5:1	237-22	1	O-Ring
6	115-4408	1	Tube-HYD
6:1	237-22	1	O-Ring
7	115-4406	1	Tube-HYD
7:1	237-22	1	O-Ring
8	115-4409	1	Tube-HYD
8:1	237-22	1	O-Ring
9	115-4405	1	Tube-HYD
9:1	237-22	1	O-Ring
10	115-4407	1	Tube-HYD

Ref.	Part Number	Qty.	Description
11	115-4425	1	Tube-HYD
12	92-7606-03	1	Bracket-Bulkhead
13	105-9817	1	Hose ASM
14	92-7539	1	Hose ASM
15	105-3873-03	1	Bracket-Mount, Clamp
16	340-117	1	Cap
17	115-4422	1	Tube-HYD
18	340-70	7	Nut-Lock
19	56-7973	14	Clamp-Tube
20	115-1794	4	Screw-HHF
21	32128-20	2	Nut-HF
22	3234-5	2	Screw-HHF
23	104-8300	7	Nut-Flange, NI
24	105-3993-03	1	Bracket-Support, Tube
25	32104-32	4	Screw-HWH
26	2412-41	1	Clamp
27	322-6	3	Screw-HH
28	3256-23	3	Washer-Flat



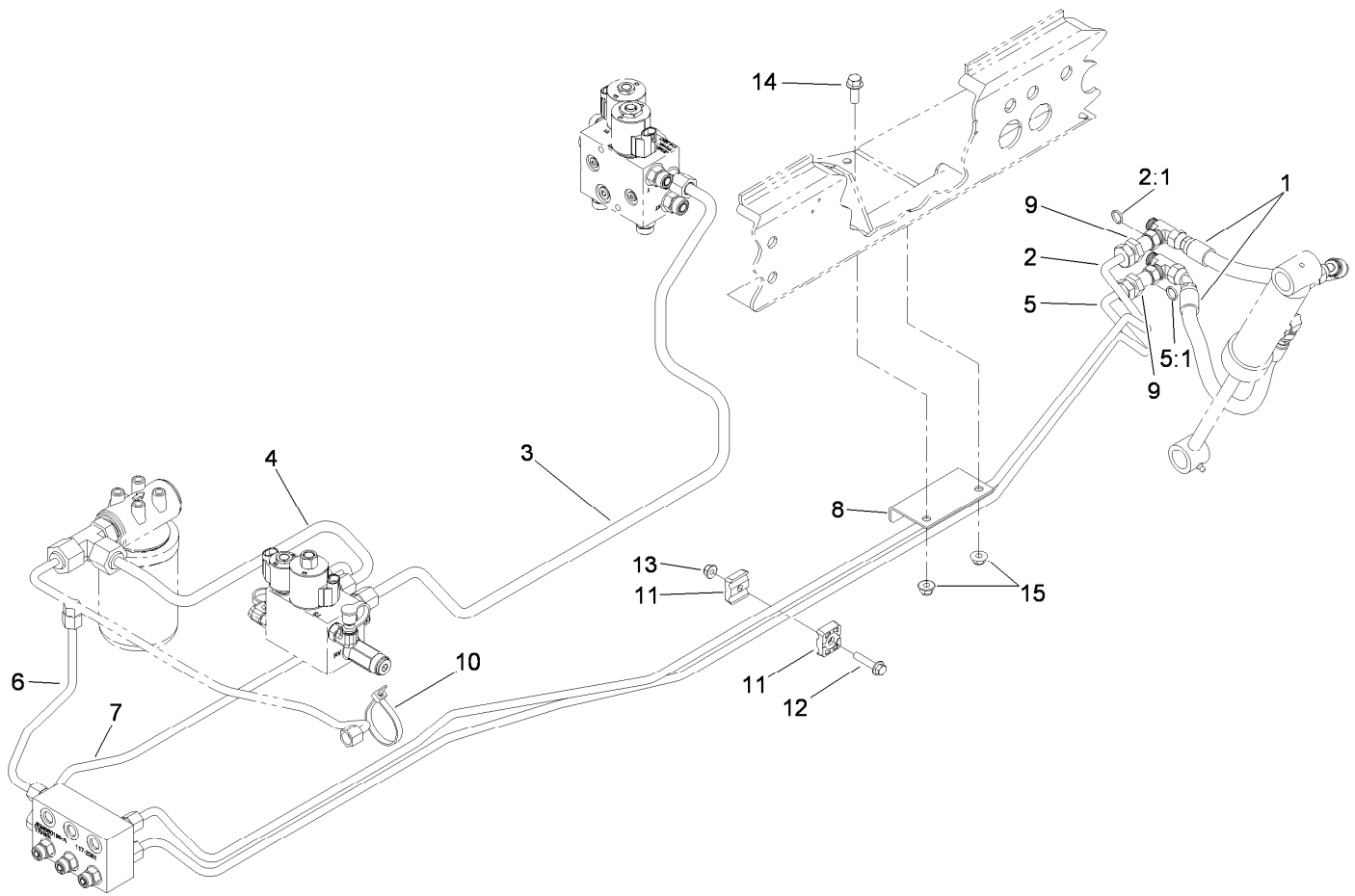
Mow Hydraulic Assembly

Ref.	Part Number	Qty.	Description	Ref.	Part Number	Qty.	Description
1	104-5483	2	Hose ASM	16	115-9139	1	Tube-HYD
2	115-4378	1	Tube-HYD	16:1	237-22	2	O-Ring
2:1	340-65	1	O-Ring	17	115-4374	1	Tube-HYD
3	115-4398	1	Tube-HYD	17:1	237-65	1	O-Ring
4	340-70	2	Nut-Lock	18	115-9127	1	Tube-HYD
5	115-9125	1	Tube-HYD	19	105-3901	1	Tube ASM
5:1	237-22	1	O-Ring	19:1	237-65	2	O-Ring
7	115-4375	1	Tube-HYD	21	105-3900	1	Tube ASM
7:1	237-65	1	O-Ring	21:1	237-65	2	O-Ring
8	115-4371	1	Tube-HYD	23	115-4424	1	Tube-HYD
8:1	237-65	1	O-Ring	23:1	340-65	1	O-Ring
9	115-4370	1	Tube-HYD	24	340-154	2	Union-Bulkhead
9:1	237-65	1	O-Ring	24:1	237-22	2	O-Ring
10	69-9000	9	Spacer	25	56-7971	4	Clamp-Tube
11	240-3	9	Grommet-Rubber	26	340-128	2	Nut-Bulkhead
12	340-74	9	Nut-Lock, Bulkhead	27	340-70	4	Nut-Lock
13	69-9010	18	Washer	28	115-1794	1	Screw-HHF
14	340-68	1	Fitting-Tee, Bulkhead	29	3256-23	1	Washer-Flat
14:1	237-22	3	O-Ring	30	104-8300	2	Nut-Flange, NI
15	115-4433	1	Tube-HYD	31	322-13	1	Screw-HH
15:1	237-22	2	O-Ring	32	56-7973	2	Clamp-Tube



Mow Hydraulic Assembly (continued)

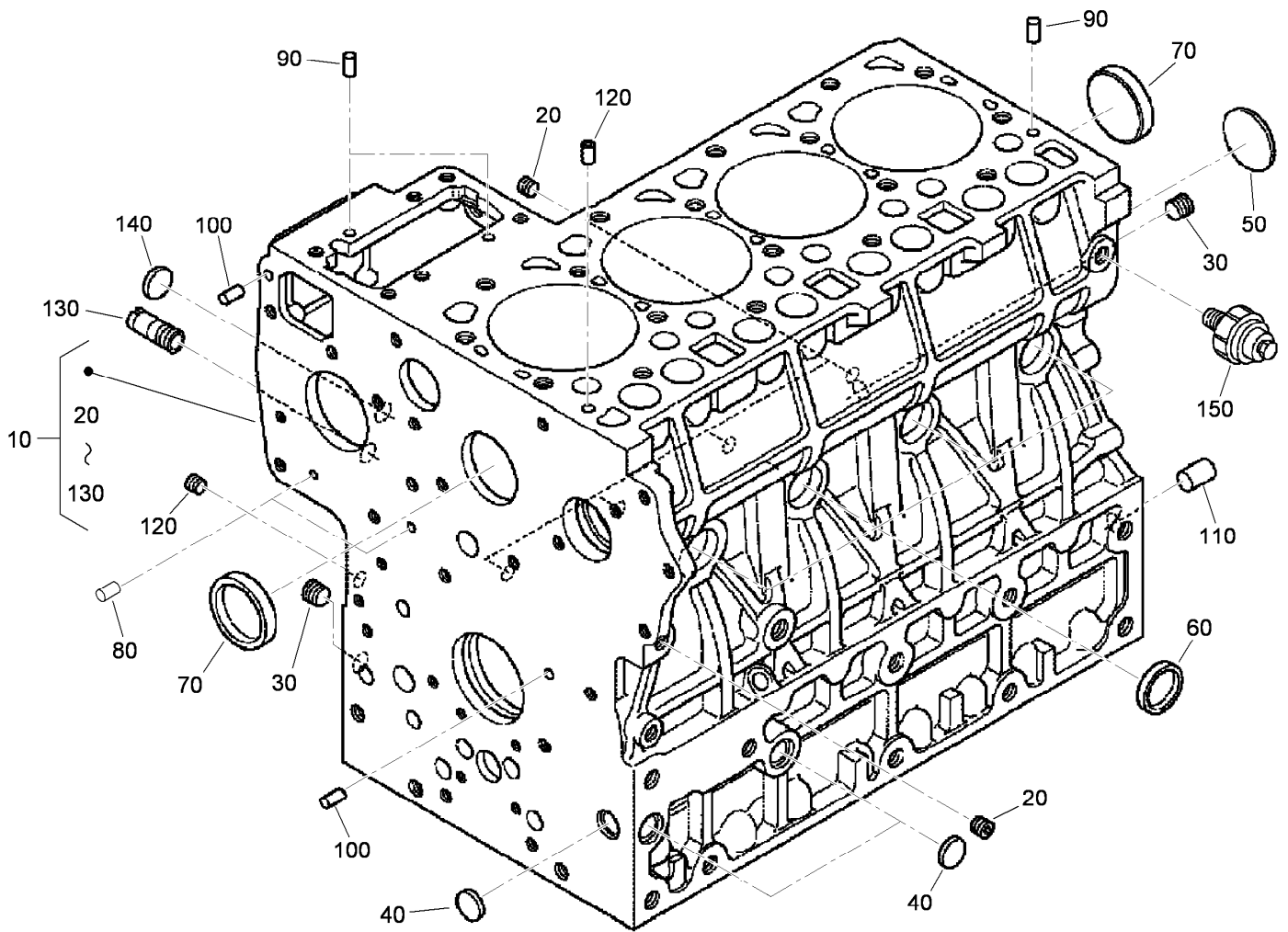
Ref.	Part Number	Qty.	Description
33	340-72	1	Fitting-Bulkhead, 90 DEG
33:1	237-65	2	O-Ring



Lift Hydraulic Assembly

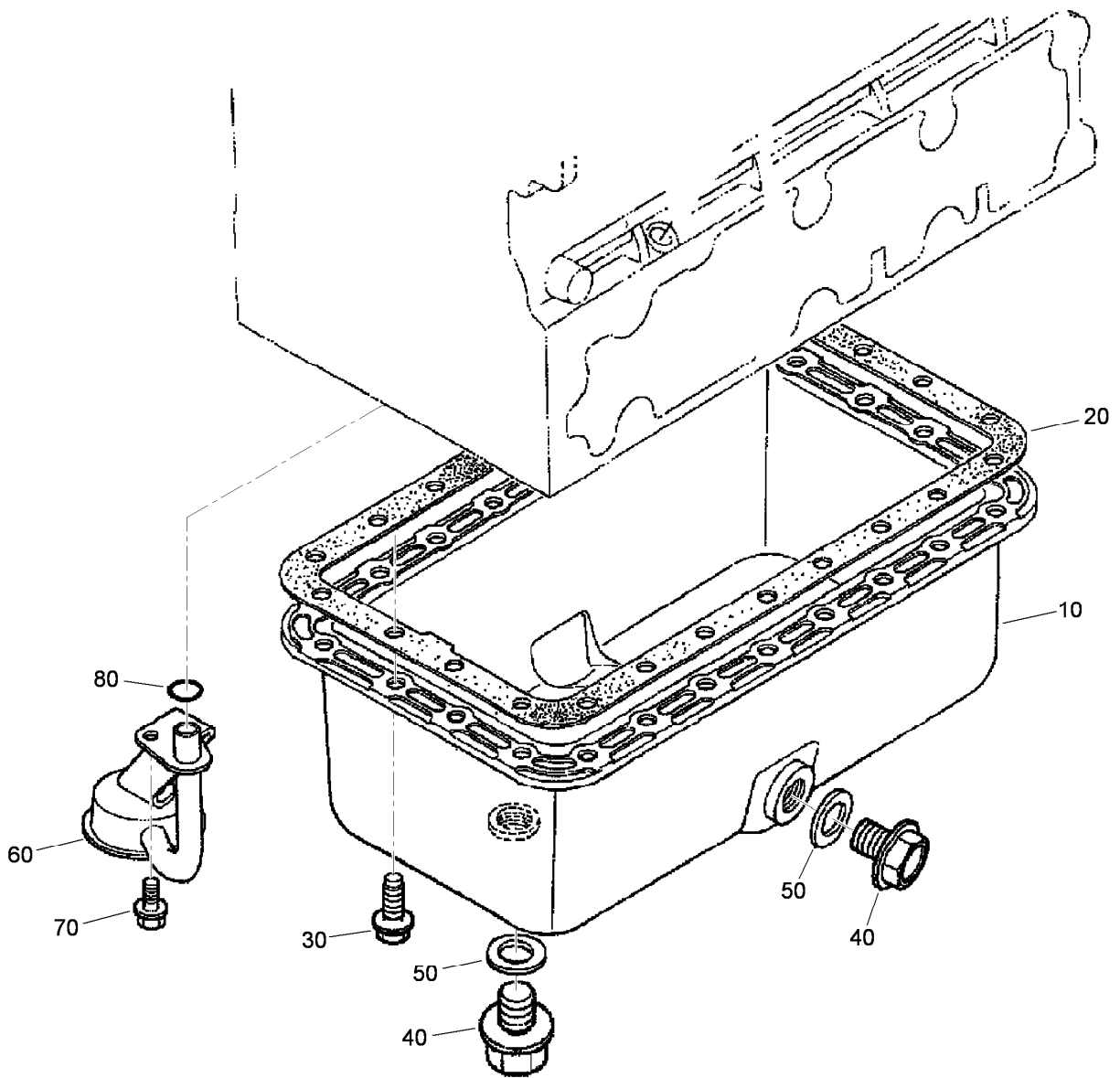
<i>Ref.</i>	<i>Part Number</i>	<i>Qty.</i>	<i>Description</i>
1	105-9238	4	Hose ASM
2	105-3988	1	Tube ASM
2:1	237-22	1	O-Ring
3	114-8144	1	Tube-HYD
4	114-8143	1	Tube-HYD
5	105-3989	1	Tube ASM
5:1	237-22	1	O-Ring
6	115-9121	1	Tube-HYD
7	114-8142	1	Tube-HYD

<i>Ref.</i>	<i>Part Number</i>	<i>Qty.</i>	<i>Description</i>
8	105-3990-03	1	Bracket-Support, Tube
9	340-70	2	Nut-Lock
10	3334-945	1	Tie-Cable
11	56-7973	4	Clamp-Tube
12	115-1794	2	Screw-HHF
13	104-8300	2	Nut-Flange, NI
14	3234-11	2	Screw-HHF
15	104-8301	1	Nut-Flange, NI



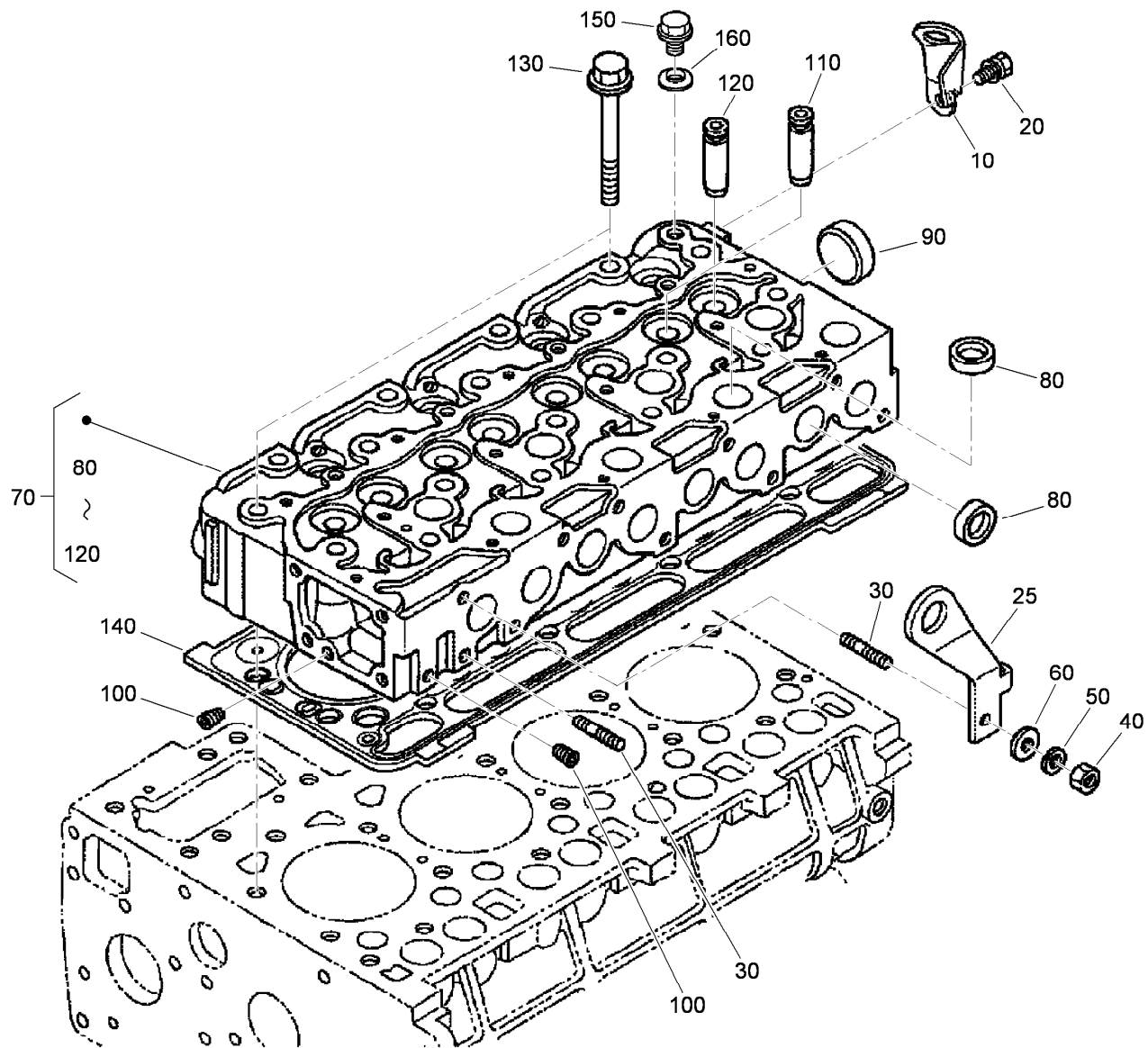
Crankcase Assembly

<i>Ref.</i>	<i>Part Number</i>	<i>Qty.</i>	<i>Description</i>
10	115-8500	1	Crankcase ASM
20	98-7487	2	Plug
30	107-0107	6	Plug
40	98-9379	2	Plug-Expansion
50	98-9668	3	Plug-Expansion
60	98-7500	6	Cap-Sealing
70	98-7501	2	Cap-Sealing
80	98-7502	2	Pin-Straight
90	98-7503	2	Pin-Straight
100	98-7504	2	Pin-Straight
110	98-7505	1	Pin-Straight
120	98-7506	1	Pin-Pipe
130	100-9153	1	Pipe-Return, Water
140	100-2020	1	Cap-Sealing
150	98-9416	1	Switch-Oil



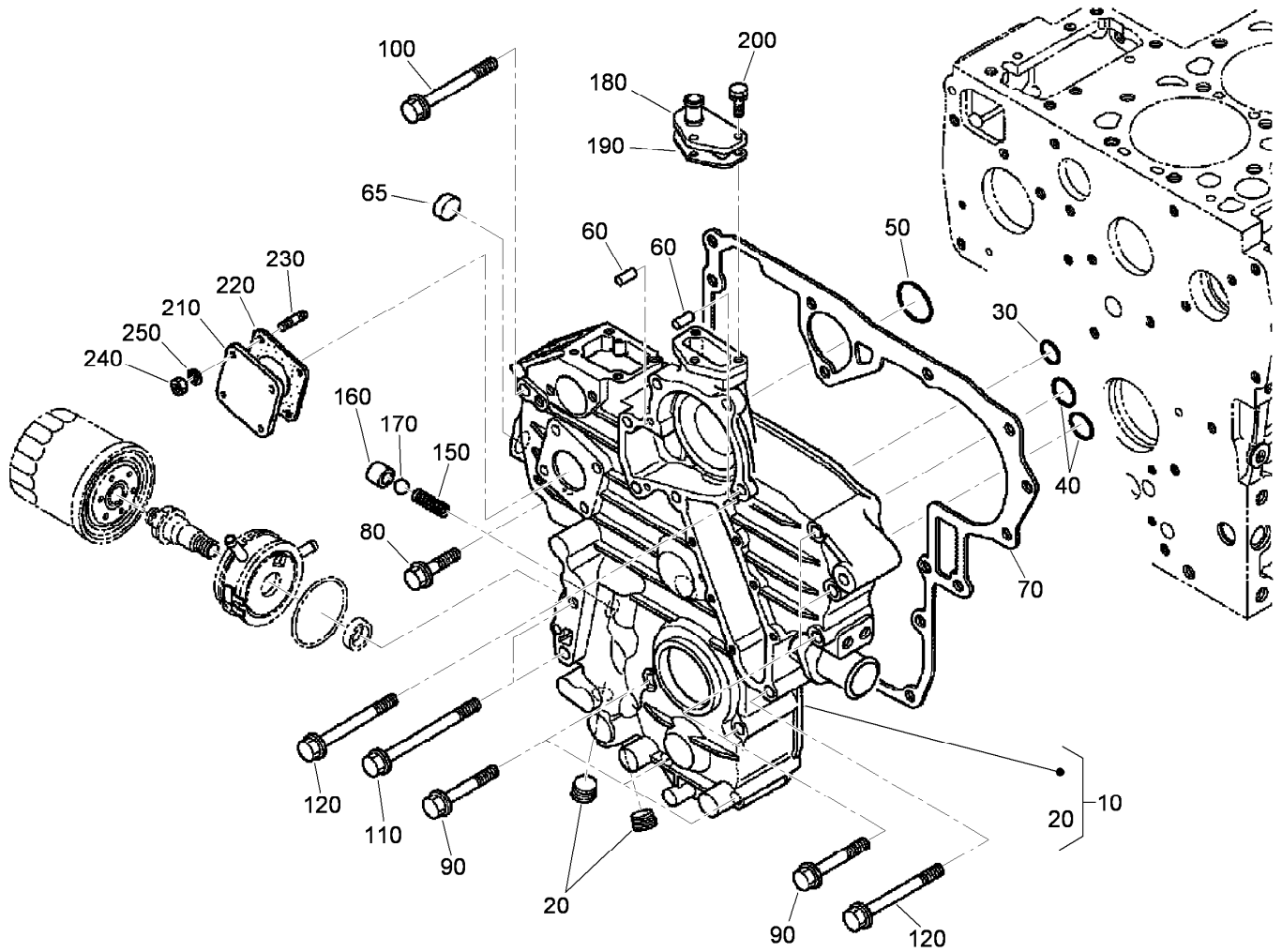
Oil Pan Assembly

<i>Ref.</i>	<i>Part Number</i>	<i>Qty.</i>	<i>Description</i>
10	115-8501	1	Oil Pan ASM
20	108-7053	1	Gasket-Pan, Oil
30	115-8502	24	Bolt-Flange
40	98-9686	2	Plug-Drain
50	98-9399	2	Gasket
60	115-8503	1	Filter-Oil
70	115-8504	1	Bolt-Flange
80	108-7054	1	O-Ring



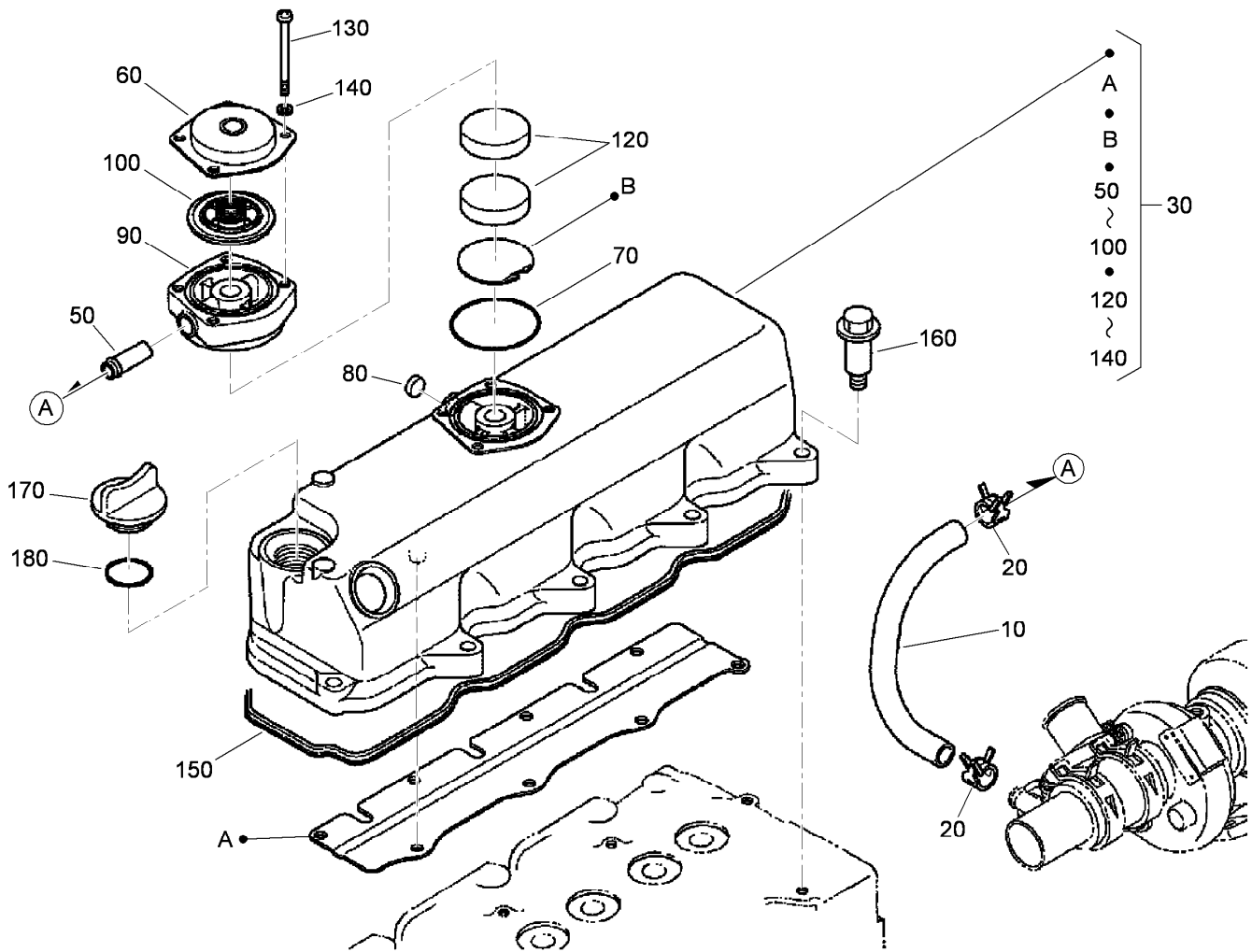
Cylinder Head Assembly

<i>Ref.</i>	<i>Part Number</i>	<i>Qty.</i>	<i>Description</i>	<i>Ref.</i>	<i>Part Number</i>	<i>Qty.</i>	<i>Description</i>
10	98-7530	1	Hook-Engine	130	98-7543	18	Bolt-Head, Cylinder
20	98-7526	1	Bolt	140	115-8647	1	Gasket-Head, Cylinder (1.15Mm)
25	115-8505	1	Hook	140	115-8509	1	Gasket-Head, Cylinder (1.20Mm)
30	115-8506	2	Stud	140	115-8510	1	Gasket-Head, Cylinder (1.25Mm)
40	98-7534	1	Nut	140	115-8511	1	Gasket-Head, Cylinder (1.30Mm)
50	105-2893	1	Washer-Spring	140	115-8512	1	Gasket-Head, Cylinder (1.35Mm)
60	98-7536	1	Washer-Plain	150	98-7762	1	Plug
70	115-8507	1	Head-Cylinder	160	98-7763	1	Washer-W/Rubber
80	98-7538	12	Cap-Sealing				
90	98-7539	1	Cap-Sealing				
100	98-7540	2	Plug				
110	98-7541	4	Guide-Valve, Intake				
120	115-8508	4	Guide-Valve, Exhaust				



Gear Case Assembly

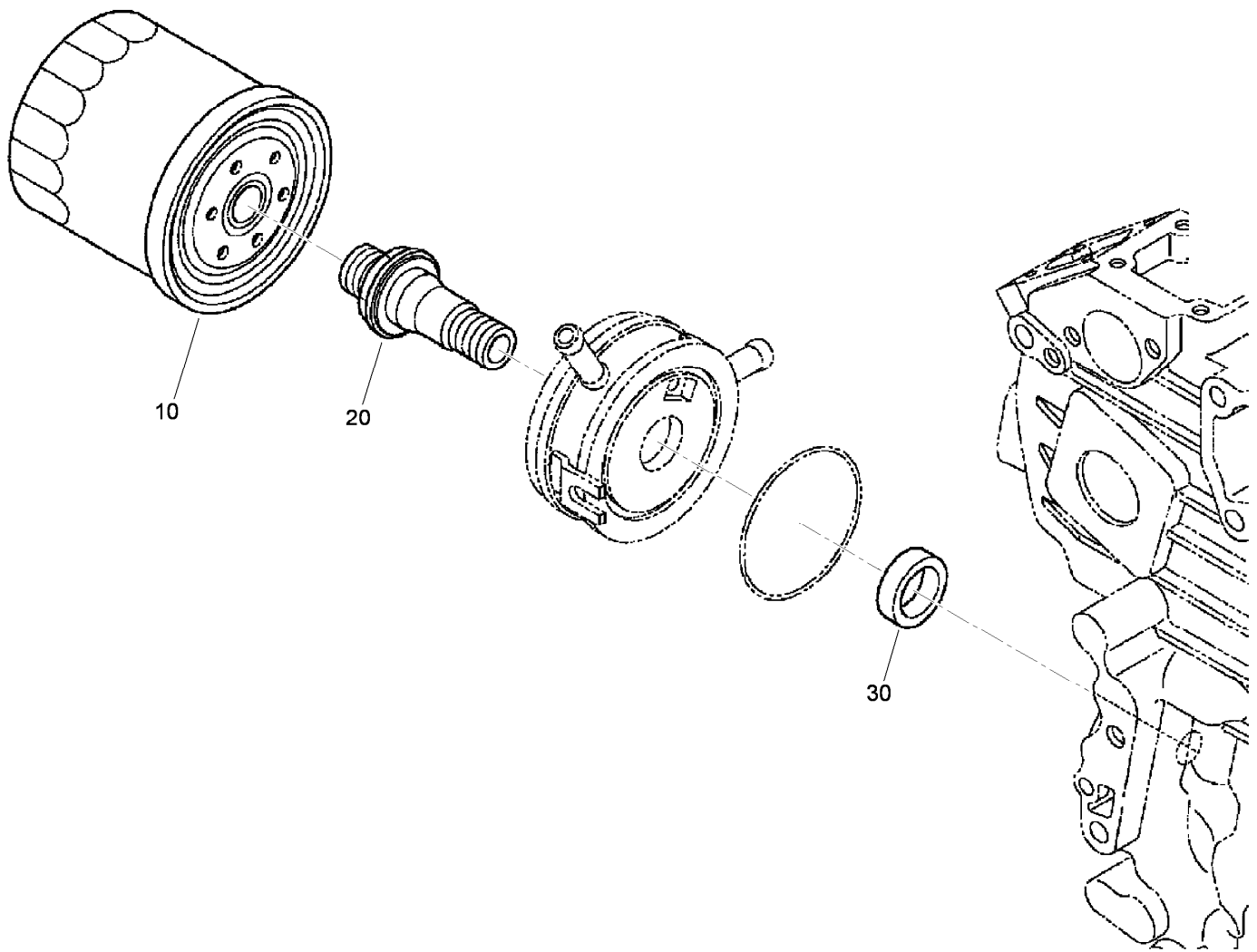
<i>Ref.</i>	<i>Part Number</i>	<i>Qty.</i>	<i>Description</i>	<i>Ref.</i>	<i>Part Number</i>	<i>Qty.</i>	<i>Description</i>
10	115-8513	1	Gear Case ASM	120	115-8520	4	Bolt-Flange
20	98-9598	2	Plug	150	98-7563	1	Spring
30	107-0104	1	O-Ring	160	98-7564	1	Seat-Valve
40	115-8514	2	O-Ring	170	98-7565	1	Ball
50	107-0106	1	O-Ring	180	98-7566	1	Flange-Return, Water
60	98-7504	2	Pin-Straight	190	115-8521	1	Gasket-Flange, Return
65	115-8515	1	Cap-Sealing	200	98-7568	3	Bolt
70	115-8516	1	Gasket-Case, Gear	210	98-7569	1	Cover
80	108-7085	1	Bolt-Flange	220	115-8522	1	Gasket-Meter, Hour
90	115-8517	7	Bolt-Flange	230	98-7571	4	Stud
100	115-8518	1	Bolt-Flange	240	98-7572	4	Nut
110	115-8519	2	Bolt-Flange	250	98-9367	4	Washer-Spring



Cylinder Head Cover Assembly

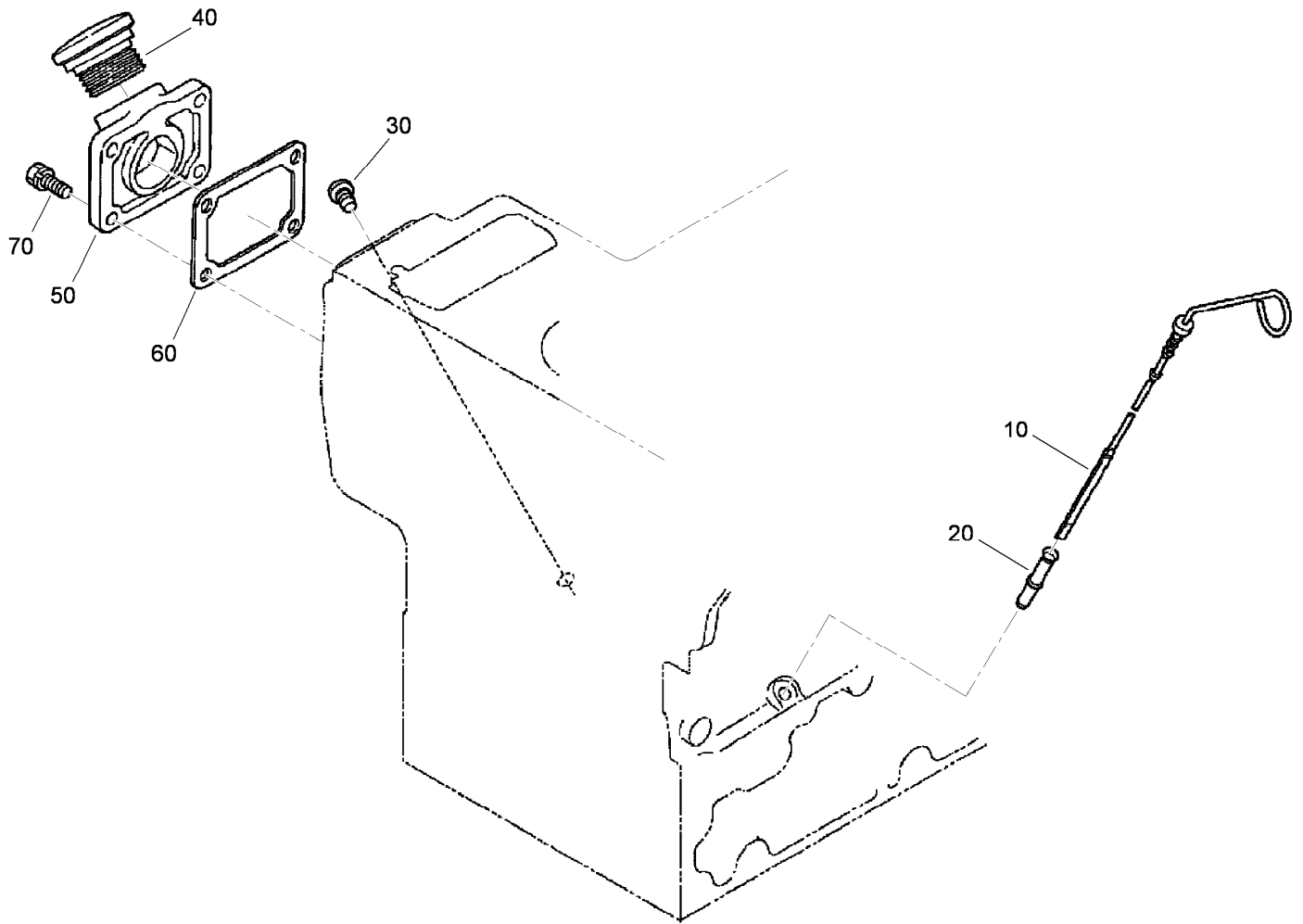
Ref.	Part Number	Qty.	Description
10	115-8523	1	Tube-Breather, Turbo
20	115-8524	2	Clamp-Hose
30	115-8525	1	Cylinder Head Cover ASM
50	98-7766	1	Pipe-Return, Water
60	110-3714	1	Cover-Breather
70	108-7061	1	O Ring-Breather
80	115-3042	1	Cap-Sealing
90	115-8526	1	Spacer-Breather

Ref.	Part Number	Qty.	Description
100	110-3715	1	Valve-Breather
120	98-9493	2	Element-Breather
130	115-3044	4	Screw-Pan Head
140	100-2204	4	Washer-Spring
150	108-7062	1	Gasket-Cover, Head
160	108-7063	10	Bolt
170	98-9449	1	Plug-Filler, Oil
180	108-7064	1	O-Ring



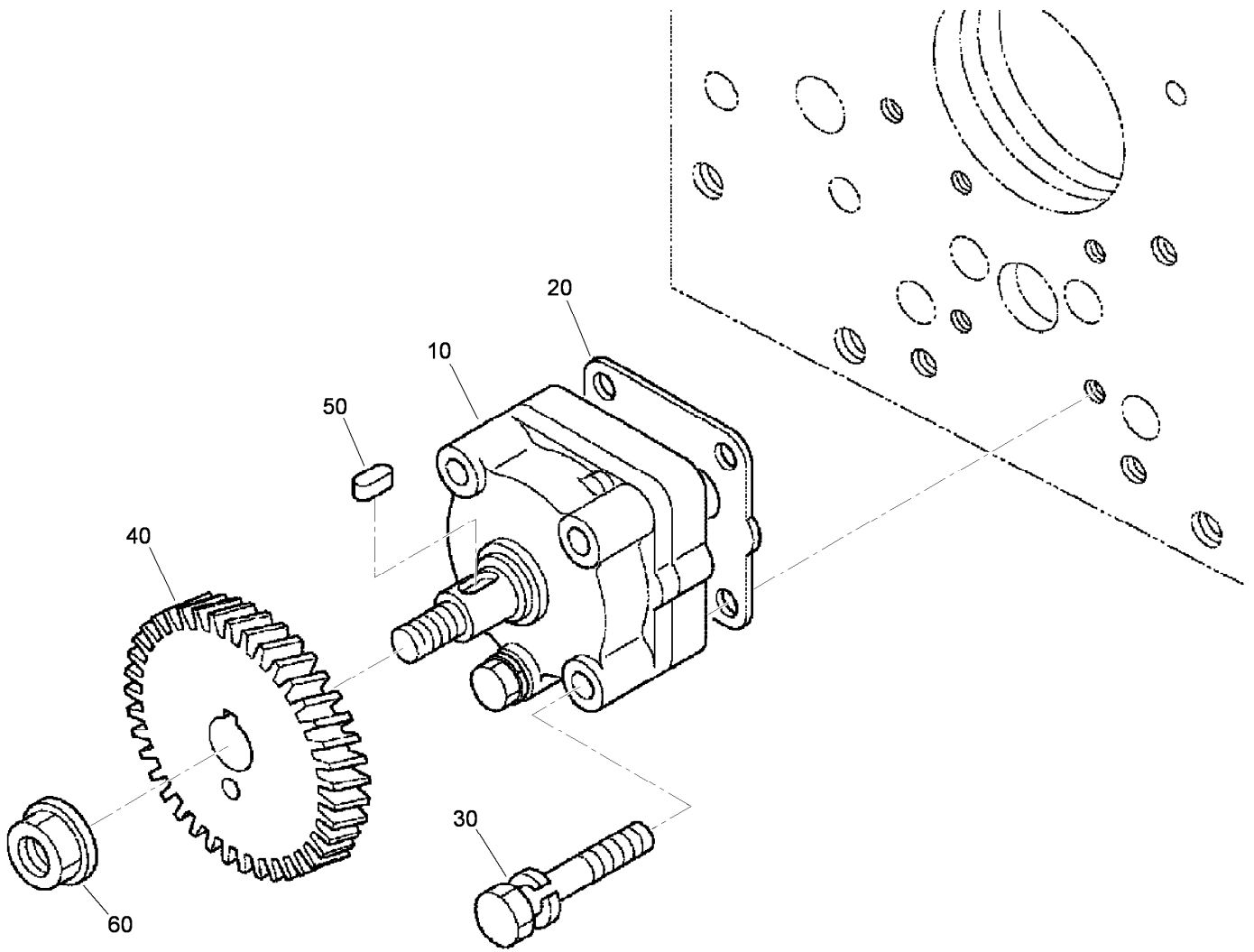
Oil Filter Assembly

<i>Ref.</i>	<i>Part Number</i>	<i>Qty.</i>	<i>Description</i>
10	104-5169	1	Filter-Oil
20	115-8528	1	Connector
30	115-8529	1	Collar



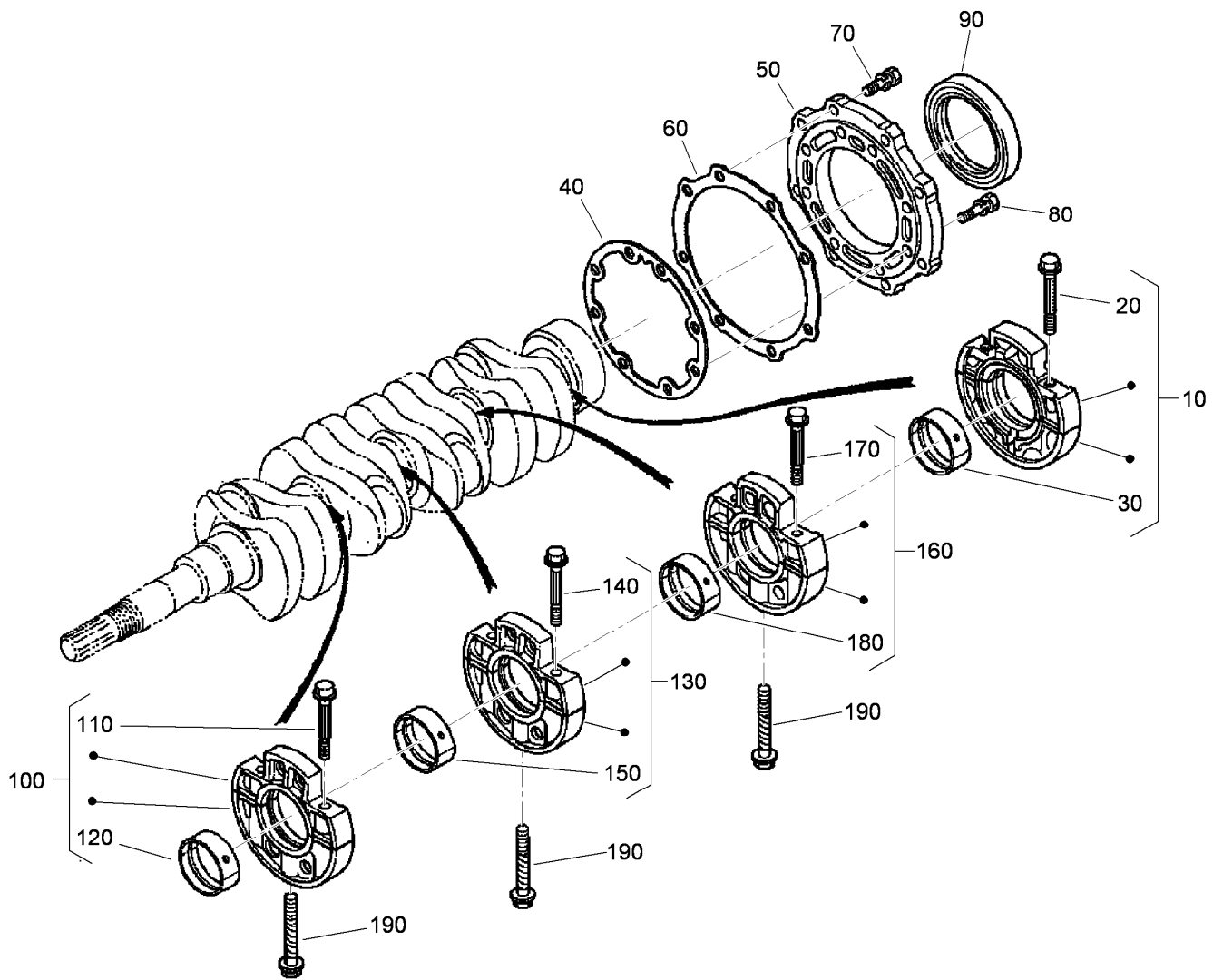
Dipstick and Guide Assembly

<i>Ref.</i>	<i>Part Number</i>	<i>Qty.</i>	<i>Description</i>
10	115-8530	1	Gauge-Oil
20	105-4580	1	Guide-Gauge, Oil
30	110-3720	1	Plug-Gauge, Oil
40	115-8531	1	Plug-Filler, Oil
50	115-8532	1	Flange-Filler, Oil
60	98-7604	1	Gasket-Cover, Pump
70	98-7605	4	Bolt



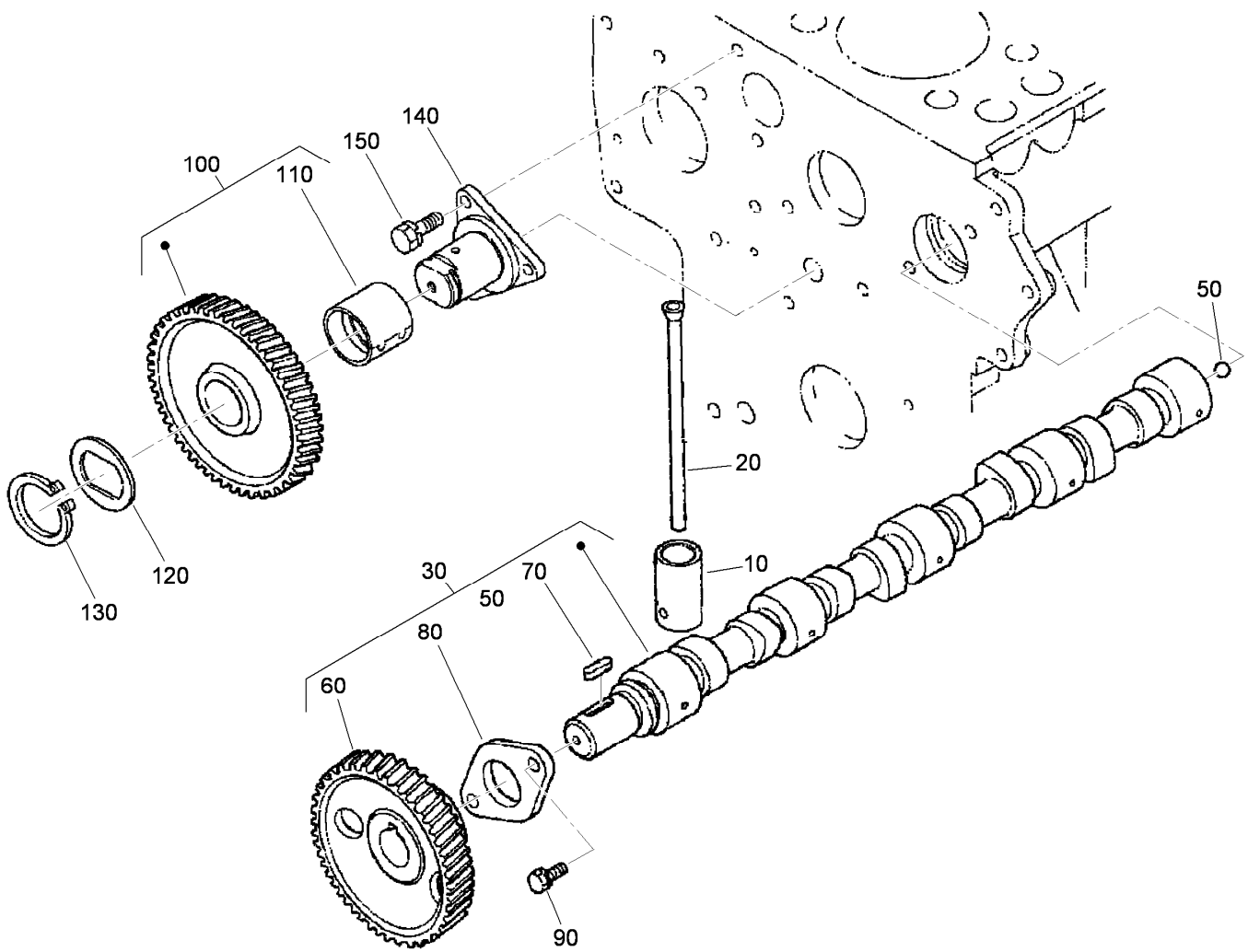
Oil Pump Assembly

<i>Ref.</i>	<i>Part Number</i>	<i>Qty.</i>	<i>Description</i>
10	98-7512	1	Oil Pump ASM
20	98-7513	1	Gasket-Pump, Oil
30	105-3797	4	Bolt
40	115-8533	1	Gear-Drive, Oil Pump
50	98-7517	1	Key-Feather
60	98-7518	1	Nut-Flange



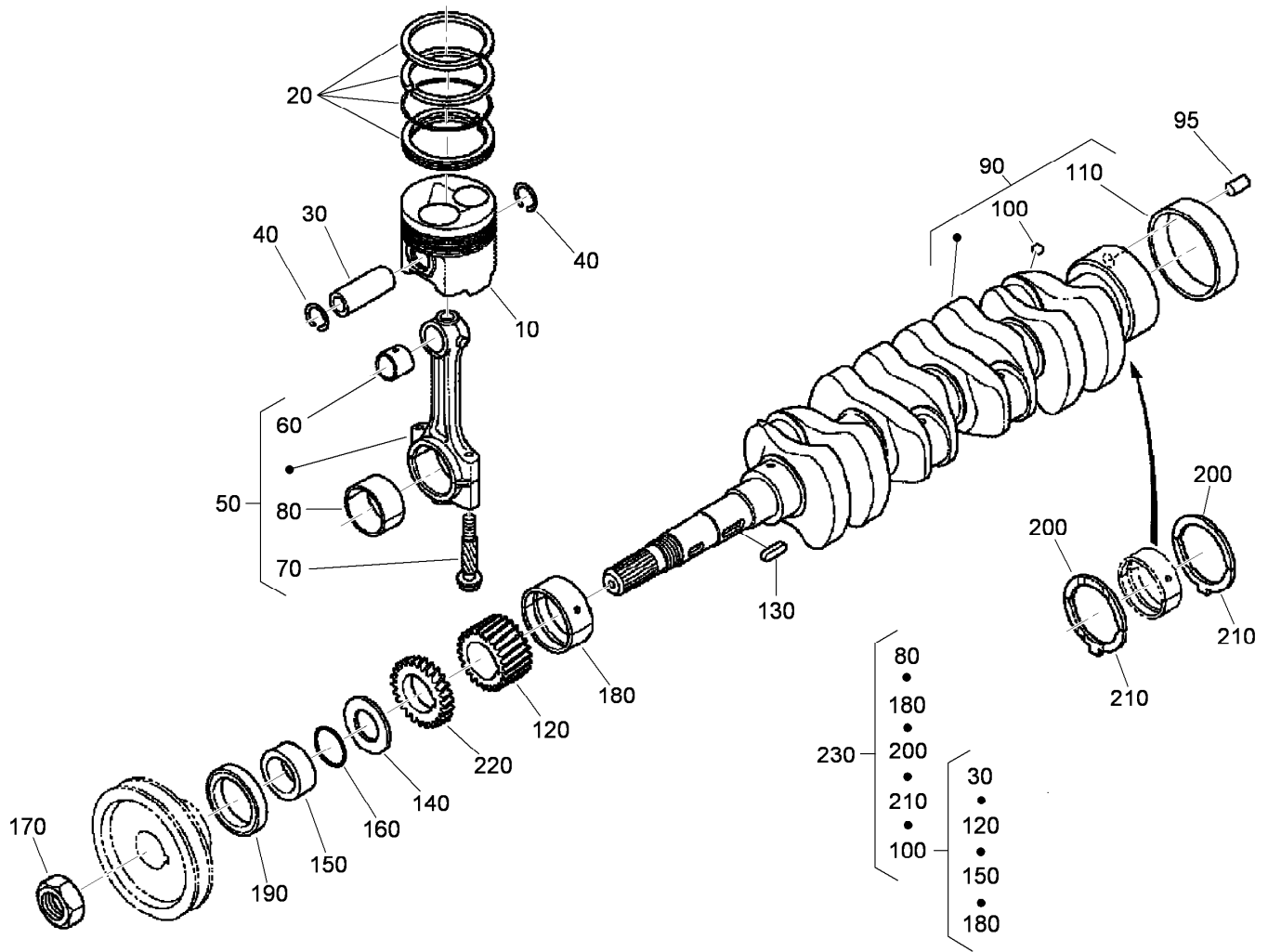
Main Bearing Case Assembly

Ref.	Part Number	Qty.	Description	Ref.	Part Number	Qty.	Description
10	115-8534	1	Wheel Bearing Case ASM	120	108-7067	1	Metal-Crankshaft (STD)
20	108-7066	2	Bolt-Case, Bearing	120	108-7068	1	Metal-Crankshaft (-0.20Mm)
30	108-7067	1	Metal-Crankshaft (STD)	120	108-7069	1	Metal-Crankshaft (-0.40Mm)
30	108-7068	1	Metal-Crankshaft (-0.20Mm)	130	108-7074	1	Main Bearing Case ASM
30	108-7069	1	Metal-Crankshaft (-0.40Mm)	140	108-7066	2	Bolt-Case, Bearing
40	108-7070	1	Gasket-Case, Bearing	150	108-7069	1	Metal-Crankshaft (-0.40Mm)
50	117-8843	1	Cover-Case, Bearing	150	108-7068	1	Metal-Crankshaft (-0.20Mm)
60	98-7437	1	Gasket-Case Cover, Bearing	150	108-7067	1	Metal-Crankshaft (STD)
70	98-7438	8	Bolt	160	115-8536	1	Main Bearing Case ASM
80	98-7439	8	Bolt	170	108-7066	2	Bolt-Case, Bearing
90	108-7072	1	Seal-Oil	180	108-7067	1	Metal-Crankshaft (STD)
100	115-8535	1	Main Bearing Case ASM	180	108-7068	1	Metal-Crankshaft (-0.20Mm)
110	108-7066	2	Bolt-Case, Bearing	180	108-7069	1	Metal-Crankshaft (-0.40Mm)
				190	98-7444	3	Bolt-Case, Bearing



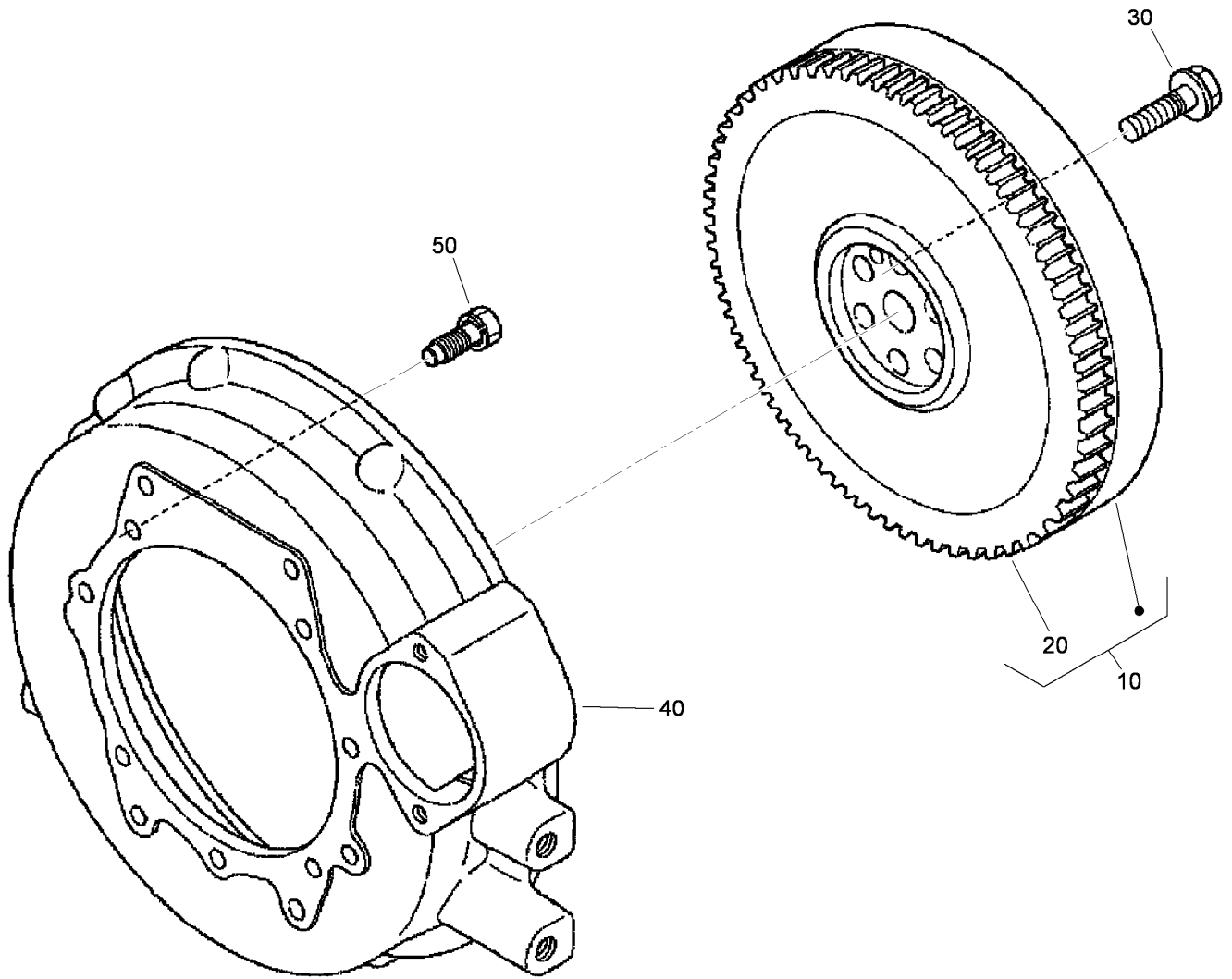
Cam Shaft and Idle Gear Assembly

<i>Ref.</i>	<i>Part Number</i>	<i>Qty.</i>	<i>Description</i>
10	98-7445	8	Tappet
20	115-8537	8	Rod-Push
30	115-8538	1	Camshaft ASM
50	110-3729	1	Ball
60	115-8539	1	Gear-Cam
70	98-7451	1	Key-Feather
80	98-7452	1	Stopper-Camshaft
90	98-7453	2	Bolt
100	107-0109	1	Gear-Idler
110	107-0110	1	Bushing-Gear, Idler
120	107-0111	1	Collar
130	107-0112	1	Circlip-External
140	115-8646	1	Shaft-Gear, Idler
150	98-7453	3	Bolt



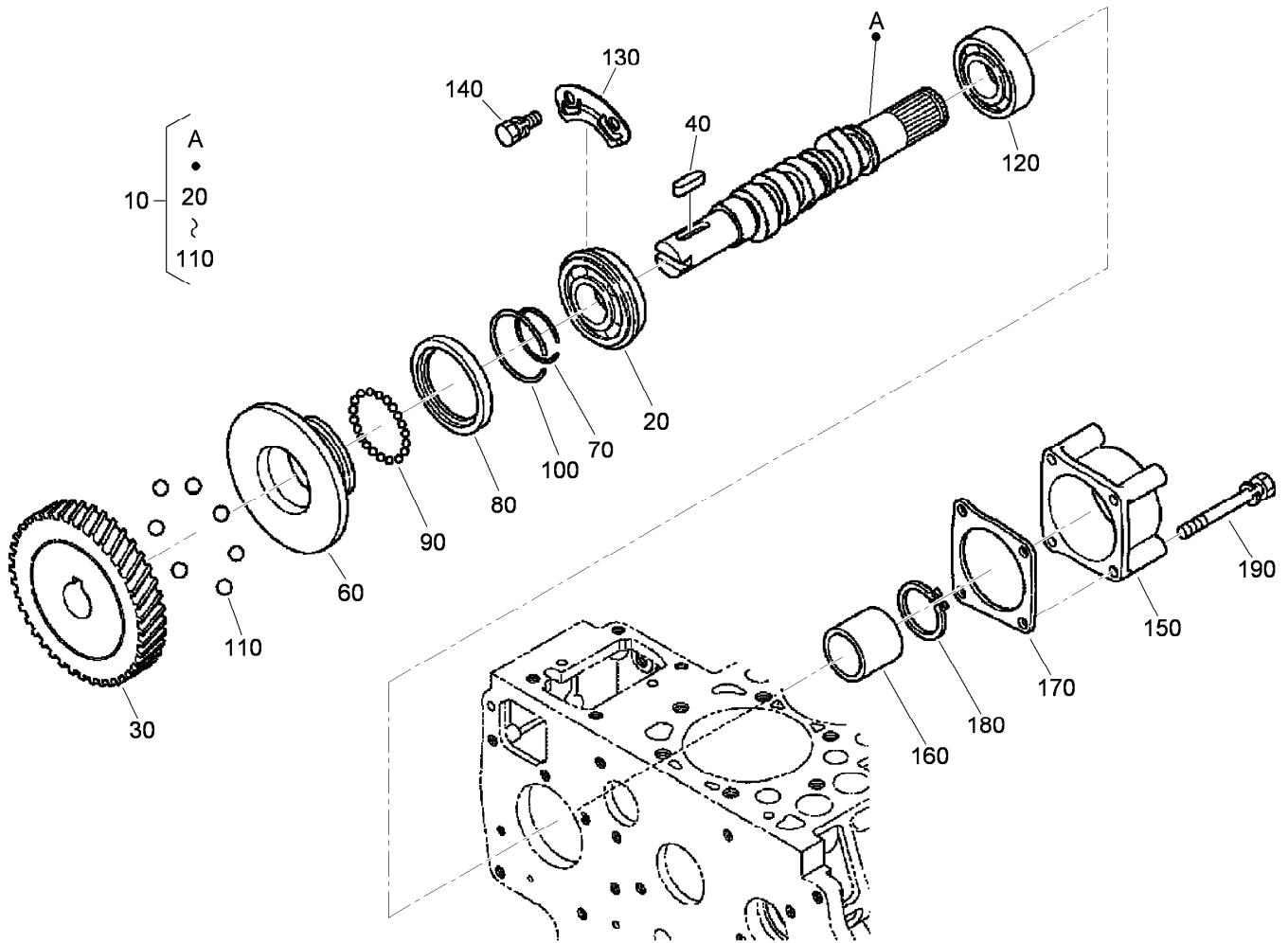
Piston and Crankshaft Assembly

Ref.	Part Number	Qty.	Description	Ref.	Part Number	Qty.	Description
10	115-8540	4	Piston	150	98-7477	1	Collar-Crankshaft
10	115-8541	4	Piston	160	98-7478	1	O-Ring
20	115-8543	1	Piston Ring ASM	170	98-7479	1	Nut-Crankshaft
20	115-8542	4	Piston Ring ASM	180	108-7075	1	Metal-Crankshaft (STD)
30	115-8544	4	Pin-Piston	180	108-7076	1	Metal-Crankshaft (-0.20Mm)
40	112-7002	8	Circlip	180	108-7077	1	Metal-Crankshaft (-0.40Mm)
50	115-8545	4	Connecting Rod ASM	190	98-7480	1	Seal-Oil
60	115-8546	4	Bushing-Pin, Piston	200	108-7078	2	Metal-Side (STD)
70	98-7468	8	Bolt-Rod, Connecting	200	108-7079	2	Metal-Side (+0.20Mm)
80	98-7469	4	Metal-Crankpin (STD)	200	108-7080	2	Metal-Side (+0.40Mm)
80	115-8548	4	Metal-Crankpin (-0.40Mm)	210	108-7081	2	Metal-Side (STD)
80	115-8547	4	Metal-Crankpin (-0.20Mm)	210	108-7082	2	Metal-Side (+0.20Mm)
90	115-8549	1	Crankshaft	210	108-7083	2	Metal-Side (+0.40Mm)
95	115-8550	1	Pin-Straight	220	115-8553	1	Gear-Drive, Oil Pump
100	110-3729	4	Ball	230	115-8554	1	Engine Metal Kit
110	98-7474	1	Sleeve-Crankshaft	230	115-8555	1	Engine Metal Kit (-0.20Mm/+0.20Mm)
120	115-8551	1	Gear-Crank	230	115-8556	1	Engine Metal Kit (-0.40Mm/+0.40Mm)
130	115-8552	1	Key-Feather				
140	98-7476	1	Slinger-Oil				



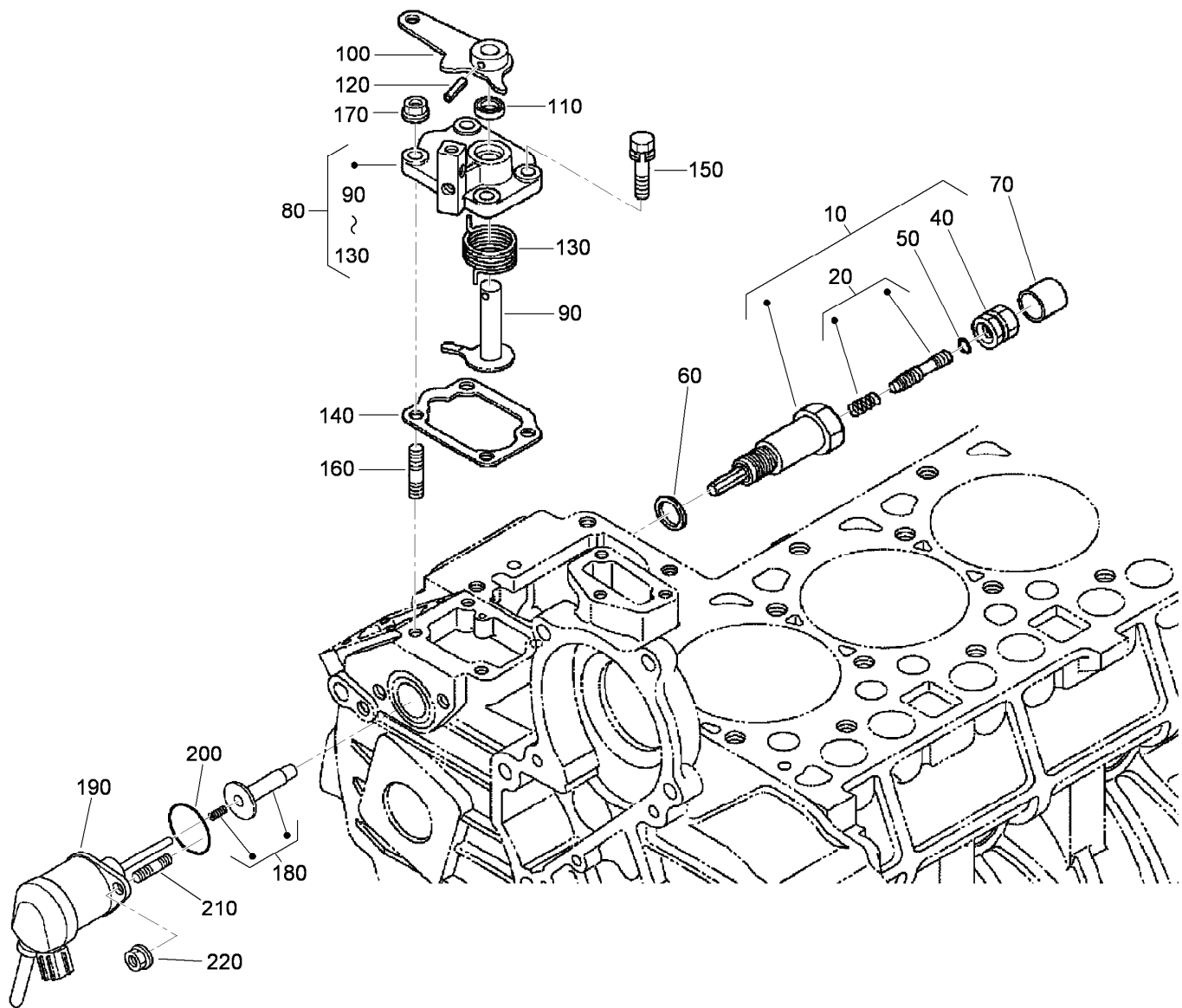
Flywheel Assembly

<i>Ref.</i>	<i>Part Number</i>	<i>Qty.</i>	<i>Description</i>
10	115-8557	1	Flywheel ASM
20	115-8558	1	Gear-Ring
30	112-8408	6	Bolt-Flywheel
40	115-8559	1	Housing-Flywheel
50	98-7885	11	Bolt



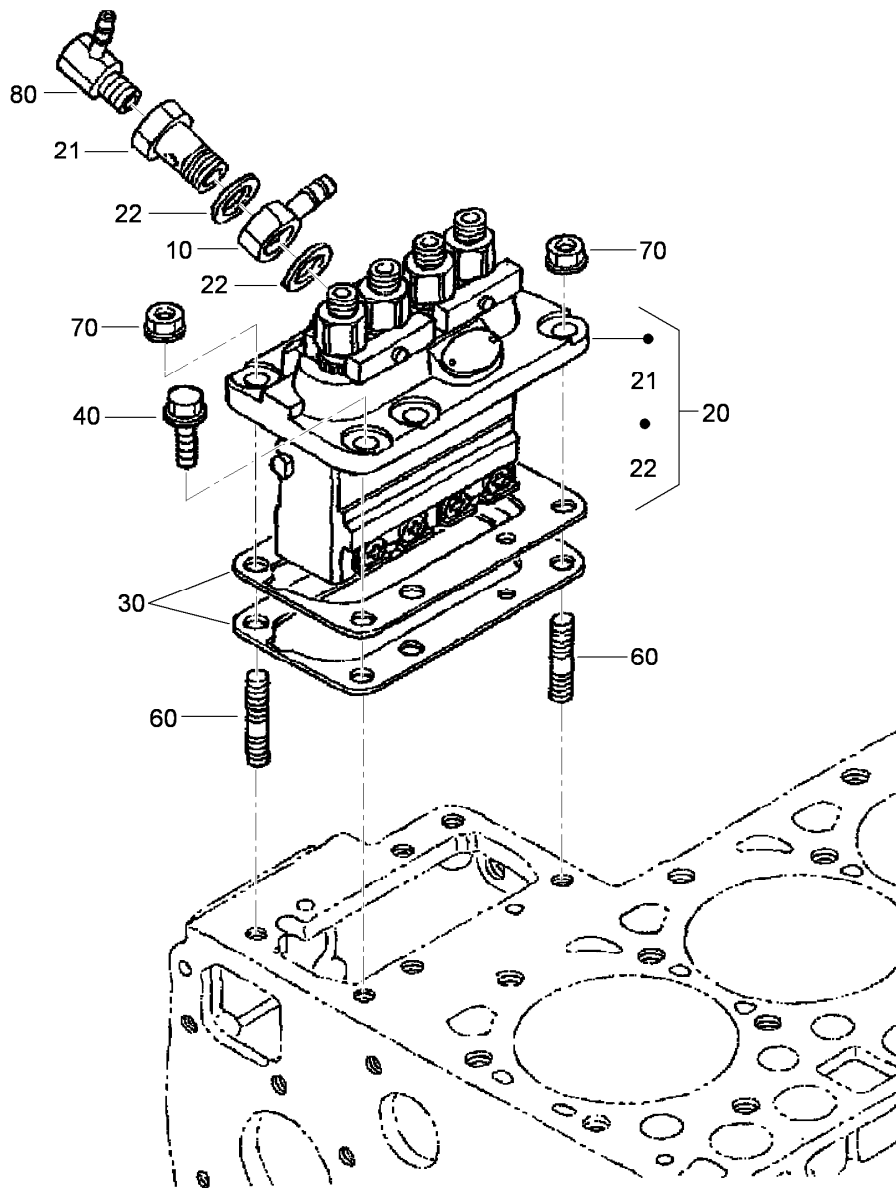
Fuel Camshaft and Governor Shaft Assembly

<i>Ref.</i>	<i>Part Number</i>	<i>Qty.</i>	<i>Description</i>	<i>Ref.</i>	<i>Part Number</i>	<i>Qty.</i>	<i>Description</i>
10	115-8560	1	Fuel Camshaft ASM	110	98-7582	7	Ball
20	115-8561	1	Bearing-Ball	120	115-8562	1	Bearing-Ball
30	98-7574	1	Gear-Pump, Injection	130	115-8563	1	Stopper-Fuel Camshaft
40	98-7575	1	Key-Feather	140	100-9195	2	Bolt
60	98-7577	1	Sleeve-Governor	150	115-8564	1	Cover-Camshaft, Fuel
70	98-7578	1	Circlip-Sleeve, Governor	160	115-8565	1	Collar
80	98-7579	1	Case-Ball, Governor	170	115-8566	1	Gasket
90	98-7580	39	Ball	180	98-7589	1	Circlip-External
100	98-7581	1	Circlip	190	98-7590	4	Bolt



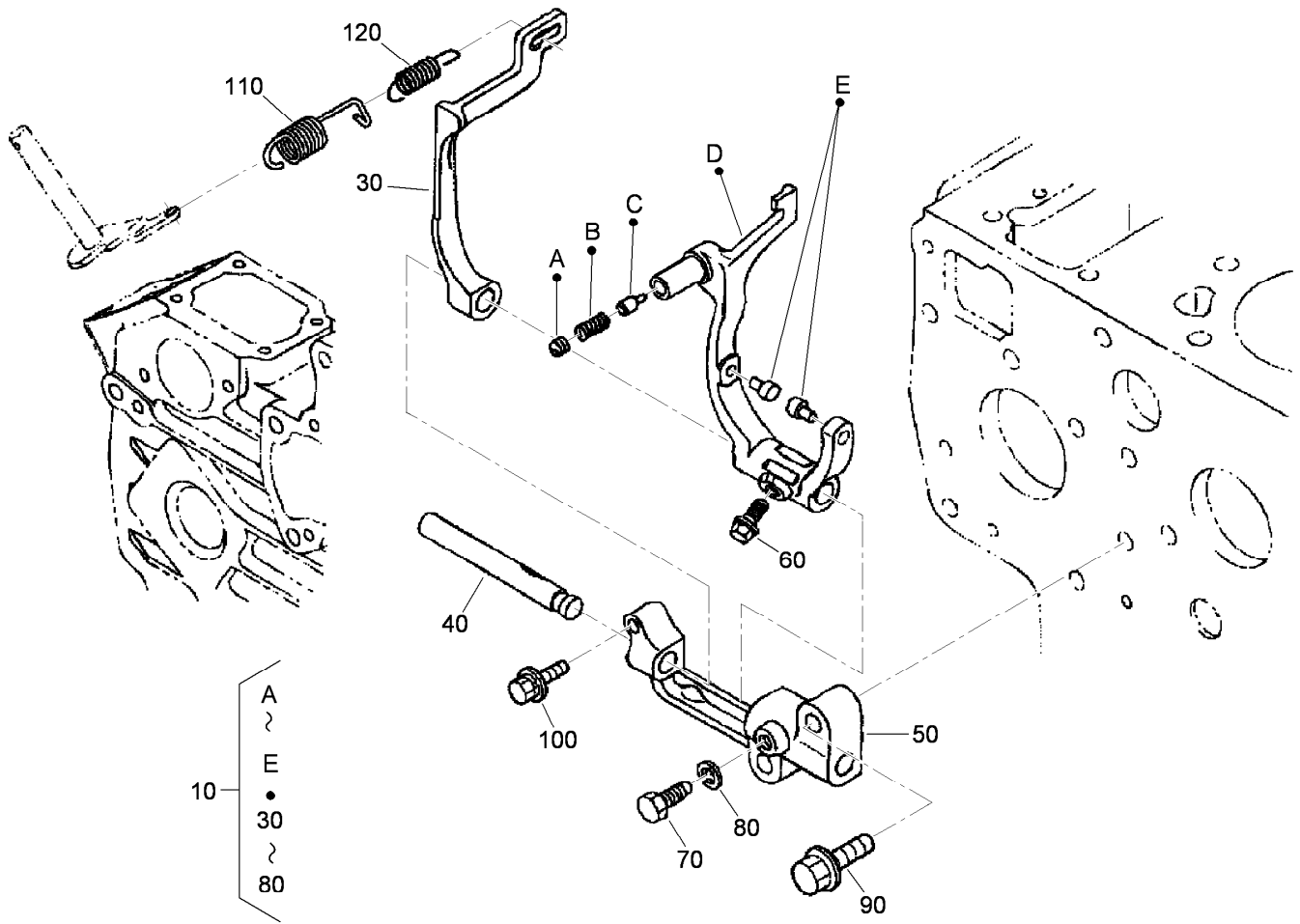
Idle Apparatus and Stop Solenoid Assembly

<i>Ref.</i>	<i>Part Number</i>	<i>Qty.</i>	<i>Description</i>	<i>Ref.</i>	<i>Part Number</i>	<i>Qty.</i>	<i>Description</i>
10	115-8567	1	Apparatus-Idling	130	115-8593	1	Spring-Return
20	115-8568	1	Adjustment Bolt ASM	140	115-8578	1	Gasket-Plate
40	115-8569	1	Nut-Spring	150	98-7568	2	Bolt
50	115-8570	1	O-Ring	160	98-7571	2	Stud
60	115-8571	1	Gasket	170	100-2203	2	Nut-Flange
70	115-8572	1	Cap	180	115-8579	1	Guide-Solenoid
80	115-8573	1	Engine Stop Lever ASM	190	115-8580	1	Solenoid ASM
90	115-8574	1	Lever-Stop	200	110-3762	1	O-Ring
100	115-8575	1	Lever-Stop, Engine	210	98-7571	2	Stud
110	115-8576	1	Seal-Oil	220	100-2203	2	Nut-Flange
120	98-7602	1	Pin-Spring				



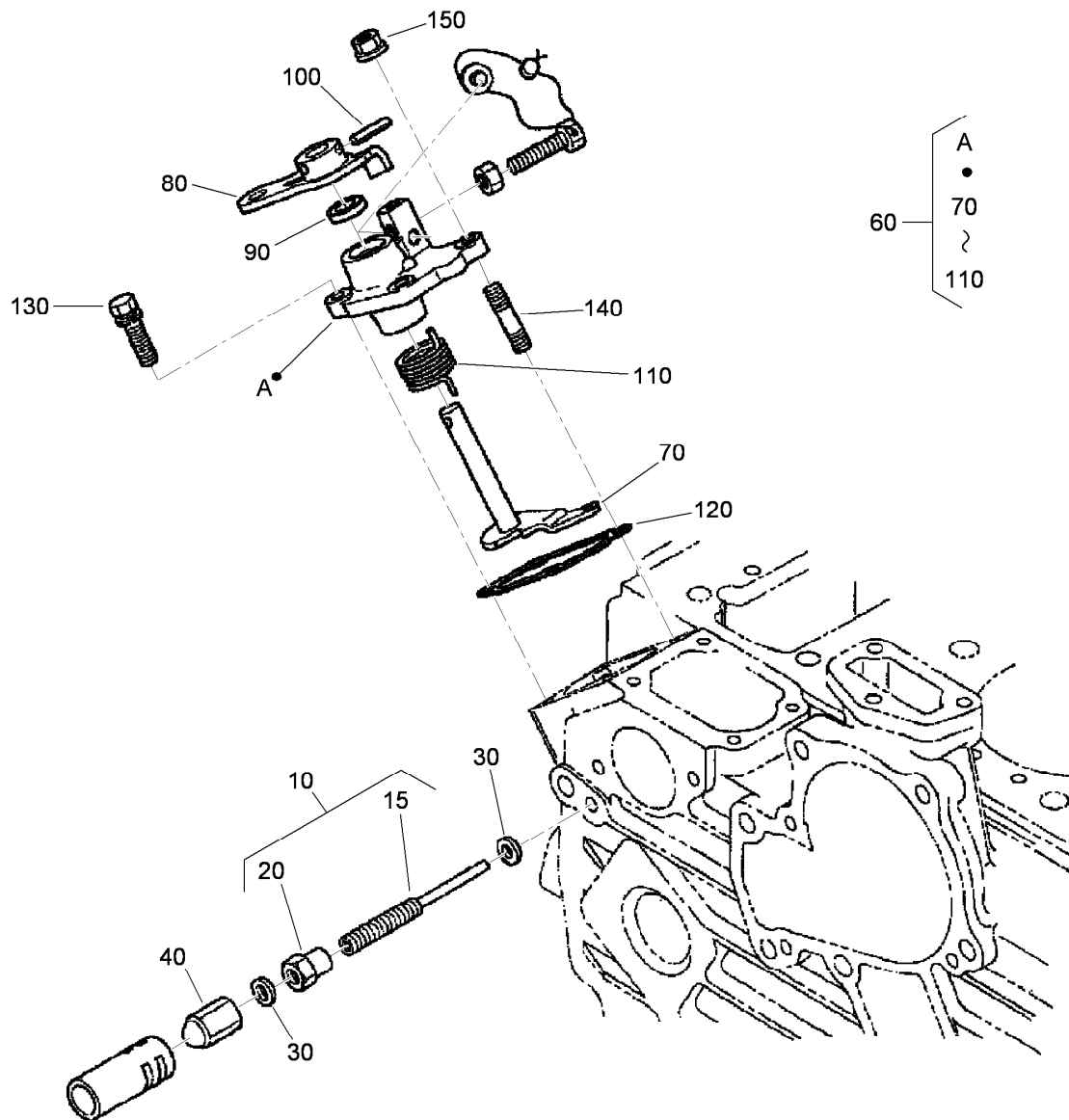
Injection Pump Assembly

Ref.	Part Number	Qty.	Description
10	98-7617	1	Joint
20	115-8581	1	Injection Pump ASM
21	98-7635	1	Screw
22	98-7636	2	Gasket
30	115-8582	1	Shim-Pump, Injection (0.175Mm)
30	98-7607	1	Shim-Pump, Injection (0.200Mm)
30	107-0147	1	Shim-Pump, Injection (0.250Mm)
30	107-0148	1	Shim-Pump, Injection (0.300Mm)
40	115-8583	4	Bolt-Flange
60	100-1558	2	Stud
70	112-2492	2	Nut-Flange
80	107-4300	1	Orifice ASM



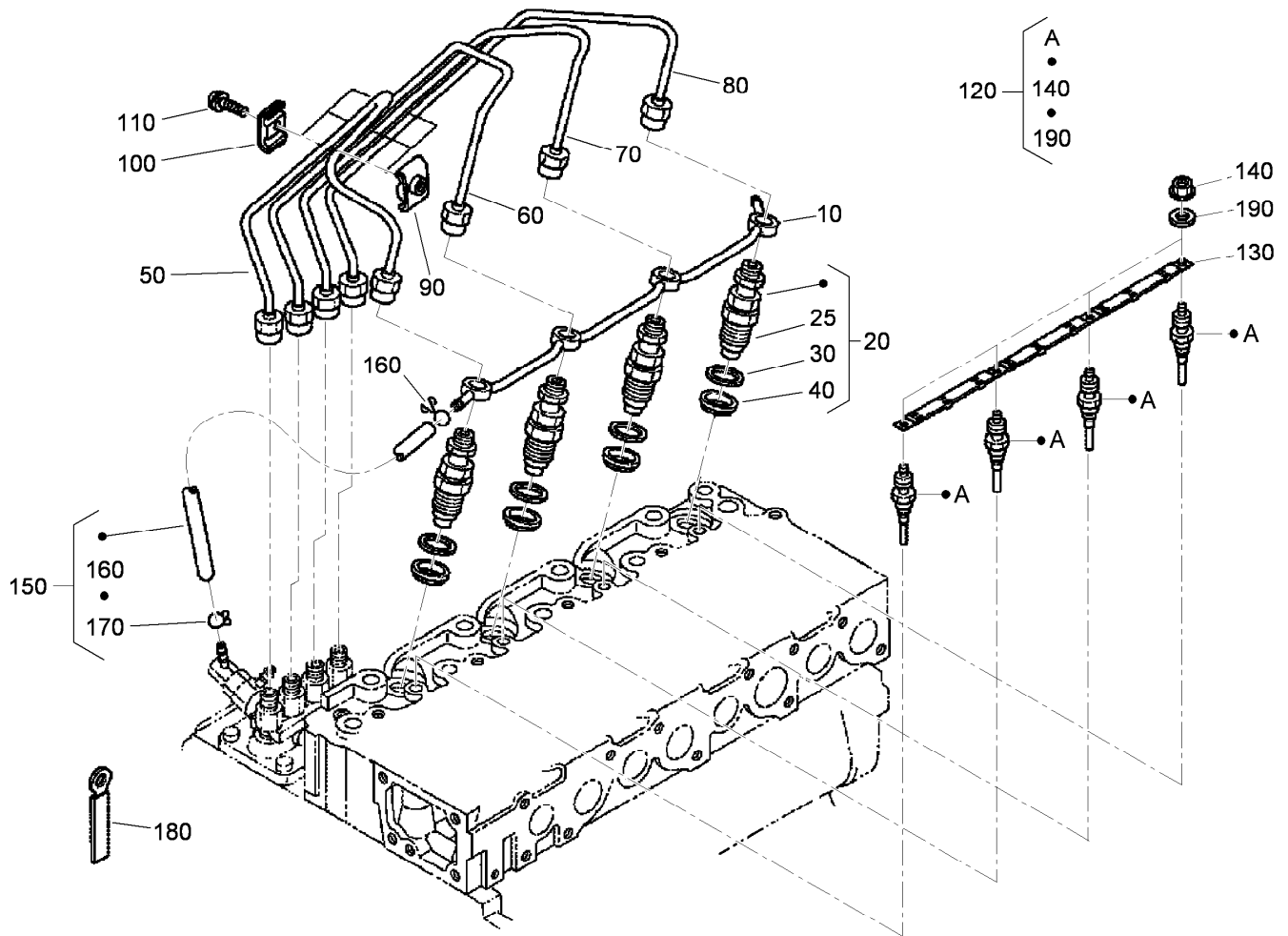
Governor Assembly

<i>Ref.</i>	<i>Part Number</i>	<i>Qty.</i>	<i>Description</i>
10	115-8584	1	Fork Lever ASM
30	115-8585	1	Lever-Fork
40	107-0120	1	Shaft-Lever, Fork
50	98-7643	1	Holder-Lever, Fork
60	107-0116	1	Bolt-Flange
70	98-7644	1	Bolt
80	98-9367	1	Washer-Spring
90	108-7085	2	Bolt-Flange
100	108-7086	1	Bolt
110	115-8586	1	Spring-Governor
120	115-8587	1	Spring-Governor



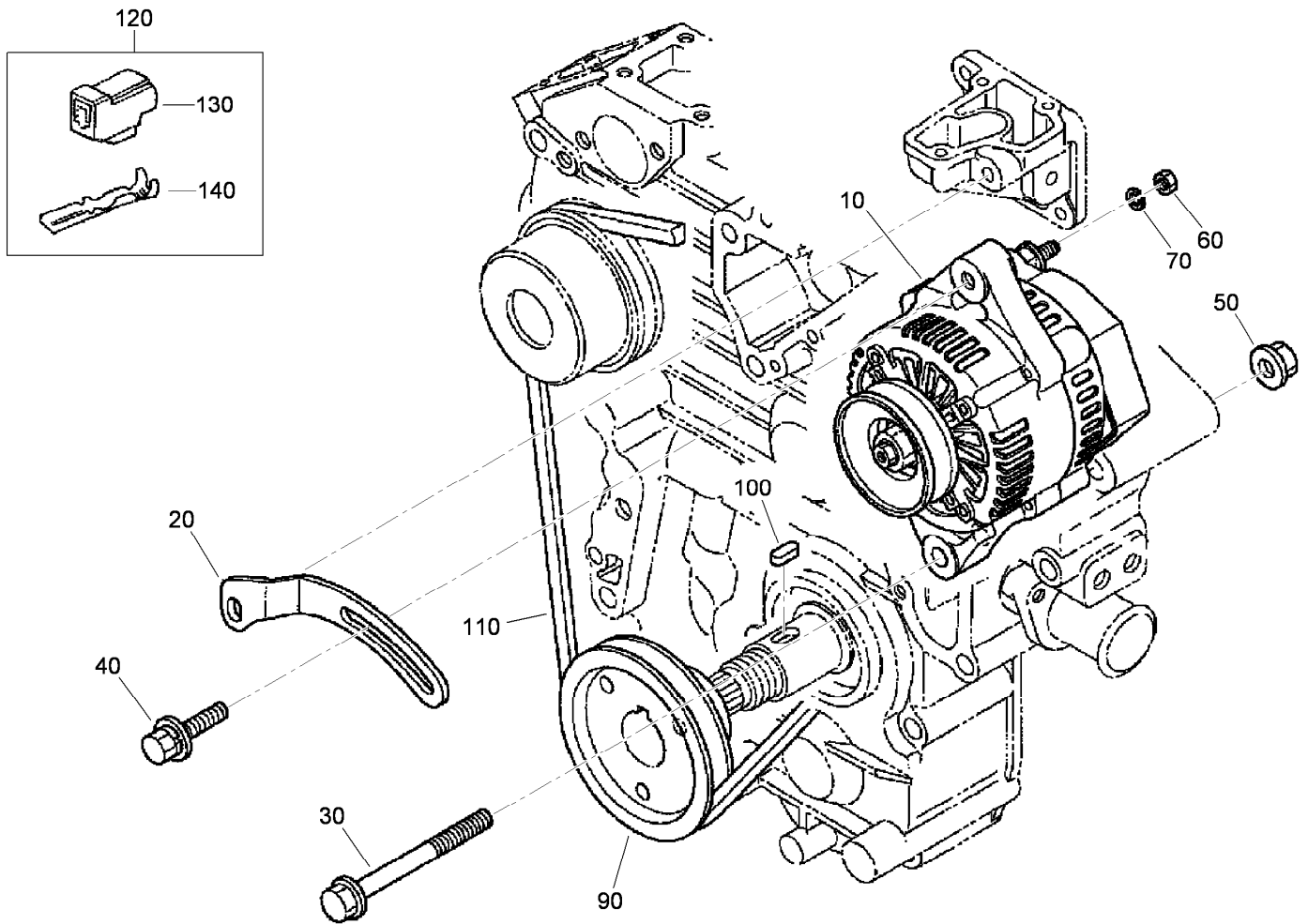
Speed Control Plate Assembly

Ref.	Part Number	Qty.	Description
10	107-0132	1	Adjustable Bolt ASM
15	115-8588	1	Bolt-Adjusting
20	98-7653	1	Nut
30	98-7654	2	Gasket
40	98-7655	1	Nut-Cap
60	115-8589	1	Control Plate ASM
70	115-8590	1	Lever-Governor
80	115-8591	1	Lever-Control, Speed
90	115-8576	1	Seal-Oil
100	98-7602	1	Pin-Spring
110	115-8593	1	Spring-Return
120	115-8578	1	Gasket-Plate
130	98-7568	2	Bolt
140	98-7571	2	Stud
150	100-2203	2	Nut-Flange



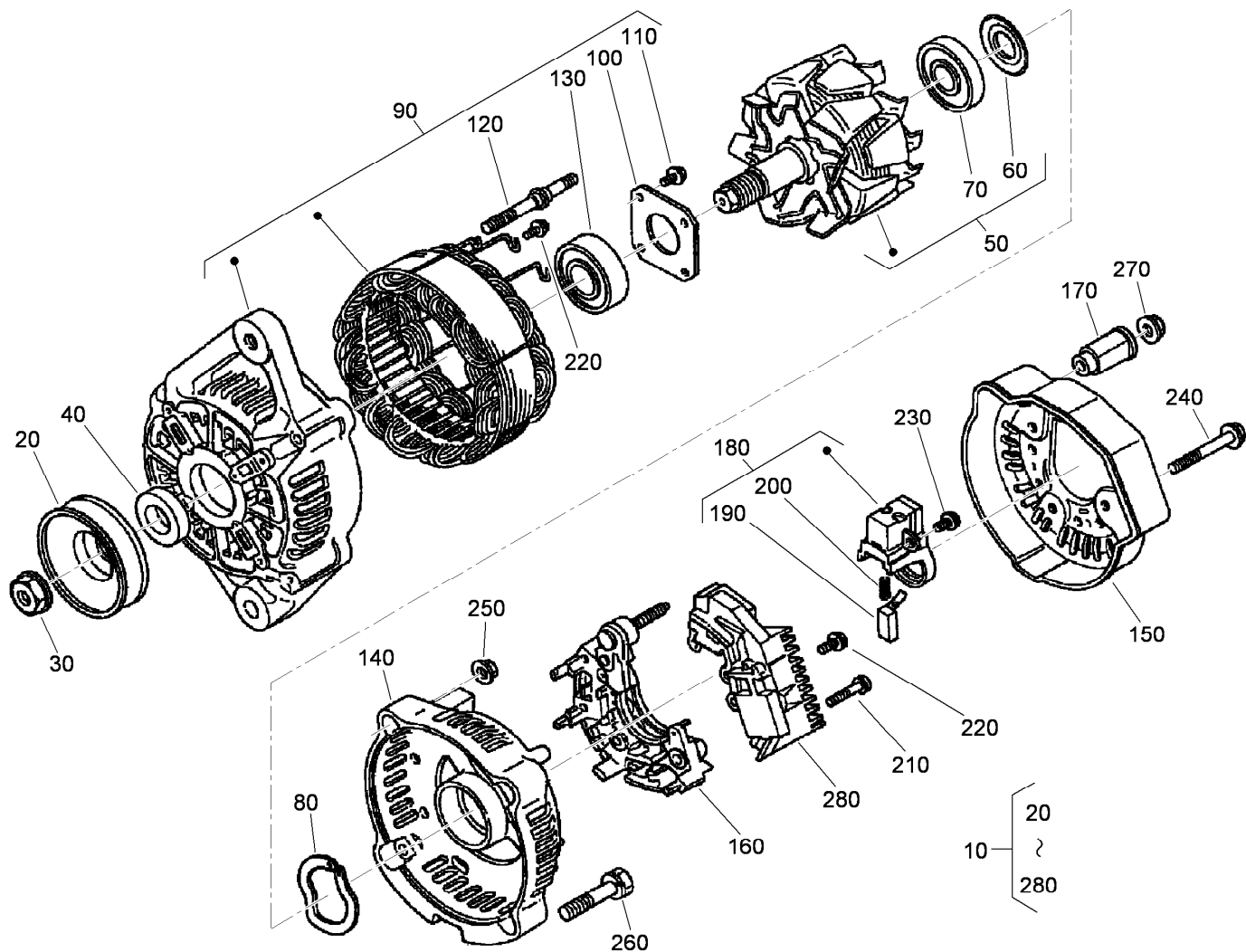
Nozzle Holder and Glow Plug Assembly

Ref.	Part Number	Qty.	Description	Ref.	Part Number	Qty.	Description
10	100-9213	1	Overflow Pipe ASM	100	98-7683	3	Clamp-Pipe
20	100-9214	4	Nozzle Holder Kit	110	98-9364	3	Screw (With Washer)
25	100-9215	4	Piece-Nozzle	120	98-7685	4	Plug-Glow
30	98-7676	4	Gasket	130	98-7686	1	Cord-Plug, Glow
40	98-7677	4	Seal-Heat	140	99-8377	4	Nut-Flange
50	100-9216	1	Pipe-Injection	150	98-7670	1	Overflow Pipe ASM
60	100-9217	1	Pipe-Injection	160	98-7671	1	Clip-Pipe
70	100-9218	1	Pipe-Injection	170	115-8595	1	Clip-Pipe
80	100-9219	1	Pipe-Injection	180	98-7673	1	Clamp-Cord
90	98-7682	3	Clamp-Pipe	190	99-8378	4	Washer-Plain



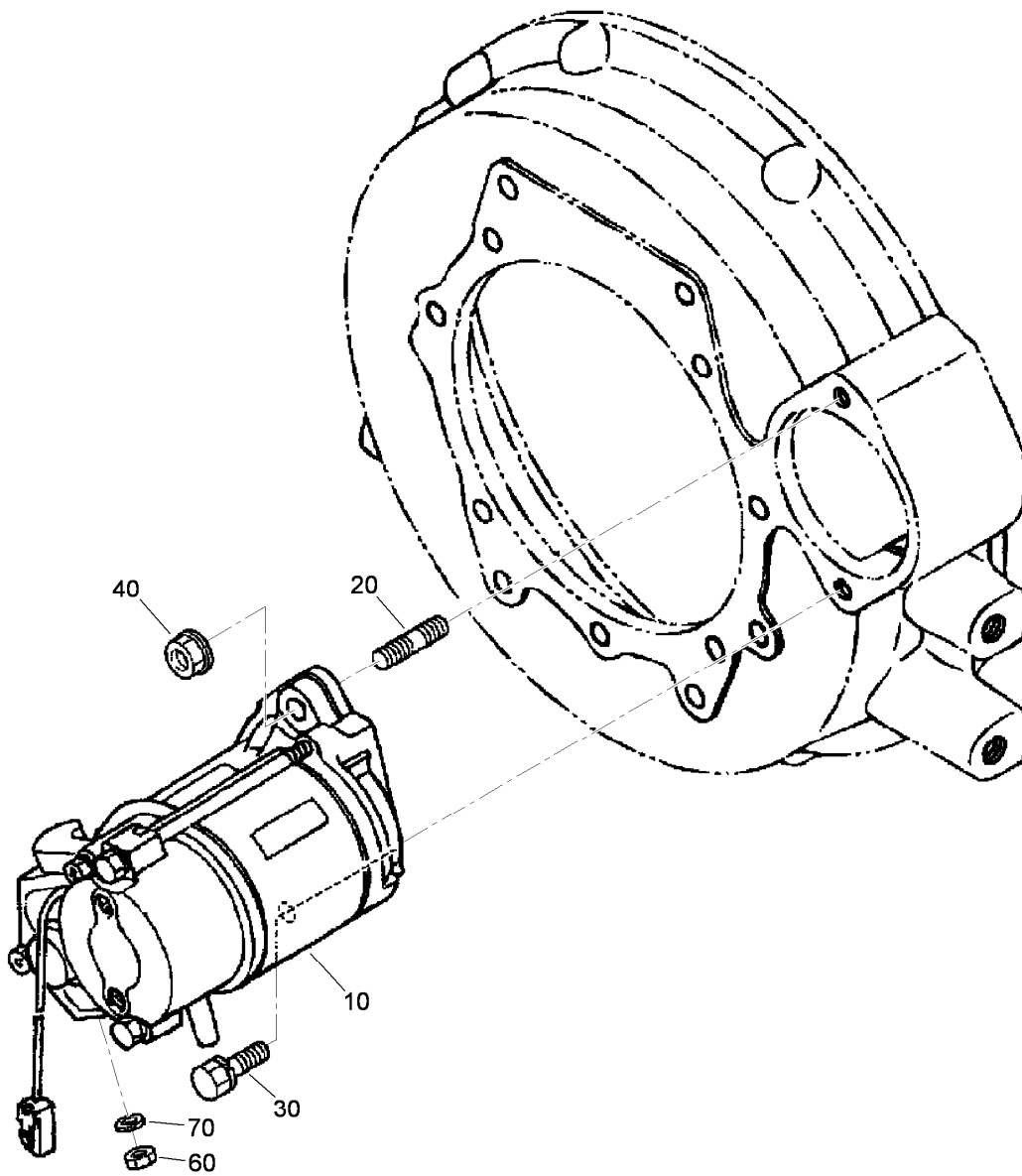
Alternator and Pulley Assembly

<i>Ref.</i>	<i>Part Number</i>	<i>Qty.</i>	<i>Description</i>
10	98-7693	1	Alternator ASM
20	105-2872	1	Bracket-Alternator
30	115-8596	1	Bolt-Flange
40	108-7088	1	Bolt
50	115-8597	1	Nut-Flange
60	98-7572	1	Nut
70	98-7699	1	Washer-Spring
90	115-8598	1	Pulley-Drive, Fan
100	98-7451	1	Key-Feather
110	115-8599	1	Belt-V
120	115-8600	1	Coupler ASM
130	115-8601	1	Connector
140	115-8602	2	Terminal



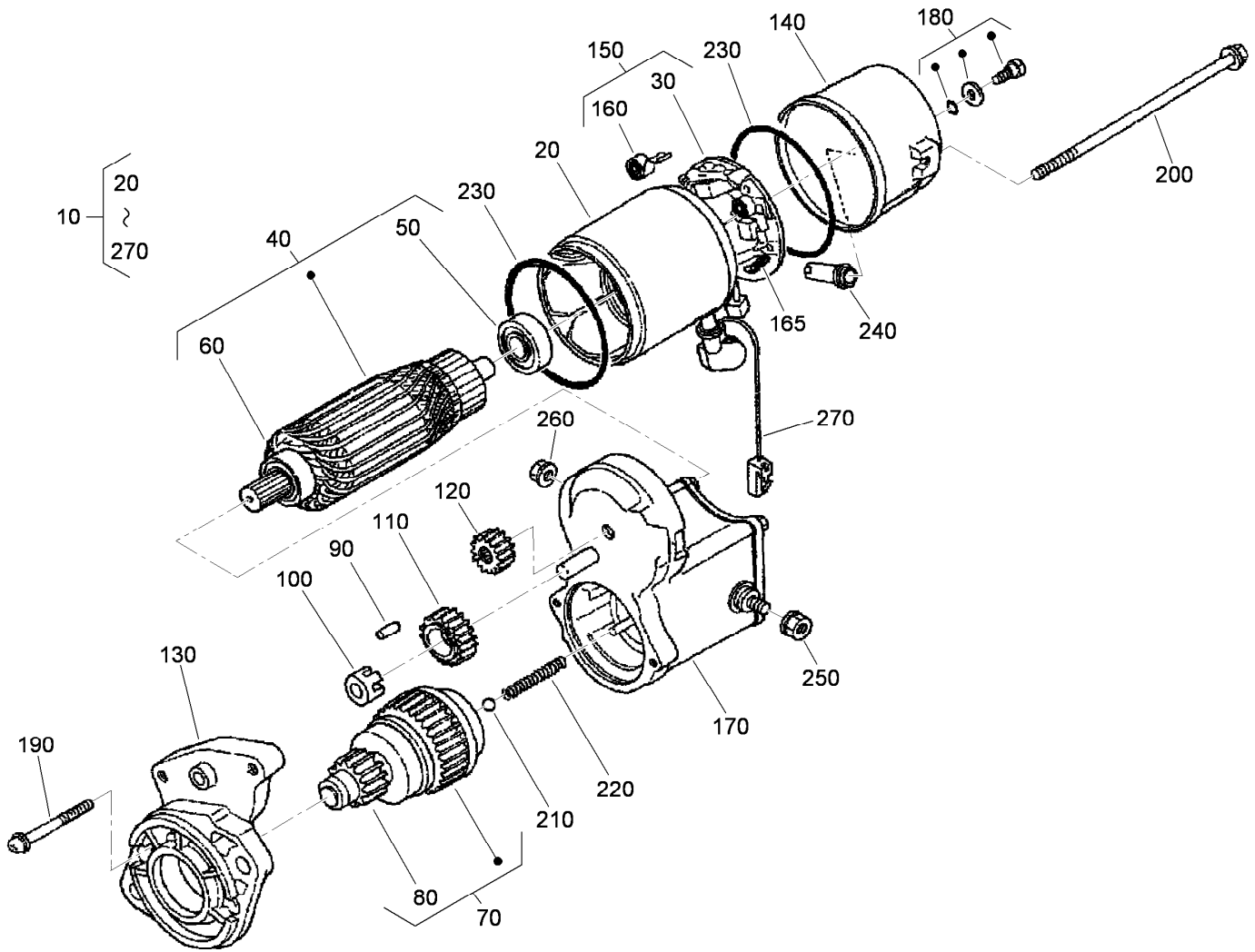
Alternator Component Part Assembly

Ref.	Part Number	Qty.	Description	Ref.	Part Number	Qty.	Description
10	98-7693	1	Alternator ASM	150	107-0140	1	Cover-End
20	98-7707	1	Pulley-Alternator	160	98-7721	1	Rectifier ASM
30	98-7708	1	Nut	170	98-7722	1	Bushing-Insulation
40	98-7709	1	Collar	180	107-0141	1	Brush Holder ASM
50	107-0136	1	Rotor ASM	190	98-7724	2	Brush
60	98-7711	1	Cover-Bearing	200	98-7725	2	Spring-Brush
70	107-0138	1	Bearing-Ball	210	98-7726	2	Screw-Head, Round
80	98-7713	1	Washer-Thrust	220	98-7727	6	Screw-Head, Round
90	107-0139	1	Drive End Frame ASM	230	98-7728	1	Screw-Head, Round
100	98-7715	1	Plate-Retainer	240	98-7729	3	Bolt
110	98-7716	4	Screw-Head, Round	250	98-7730	2	Nut
120	98-7717	2	Bolt-Through	260	98-7731	2	Bolt
130	107-0137	1	Bearing-Ball	270	98-7732	1	Nut
140	98-7719	1	Frame-End	280	110-3799	1	Regulator ASM



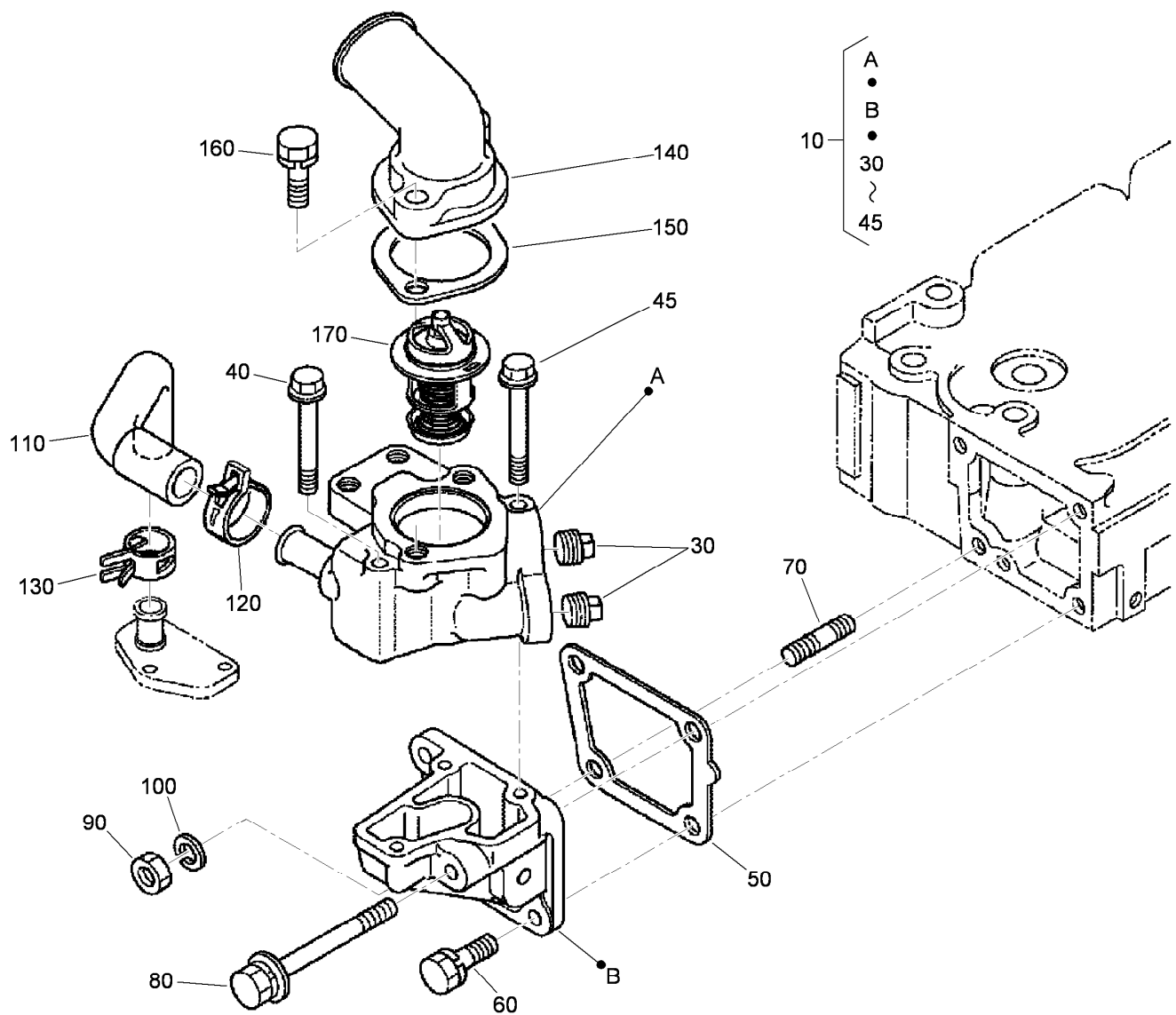
Starter Assembly

<i>Ref.</i>	<i>Part Number</i>	<i>Qty.</i>	<i>Description</i>
10	115-8603	1	Starter ASM
20	98-7735	1	Stud
30	98-7736	1	Bolt
40	115-8597	1	Nut-Flange
60	98-7739	1	Nut
70	105-2893	1	Washer-Spring



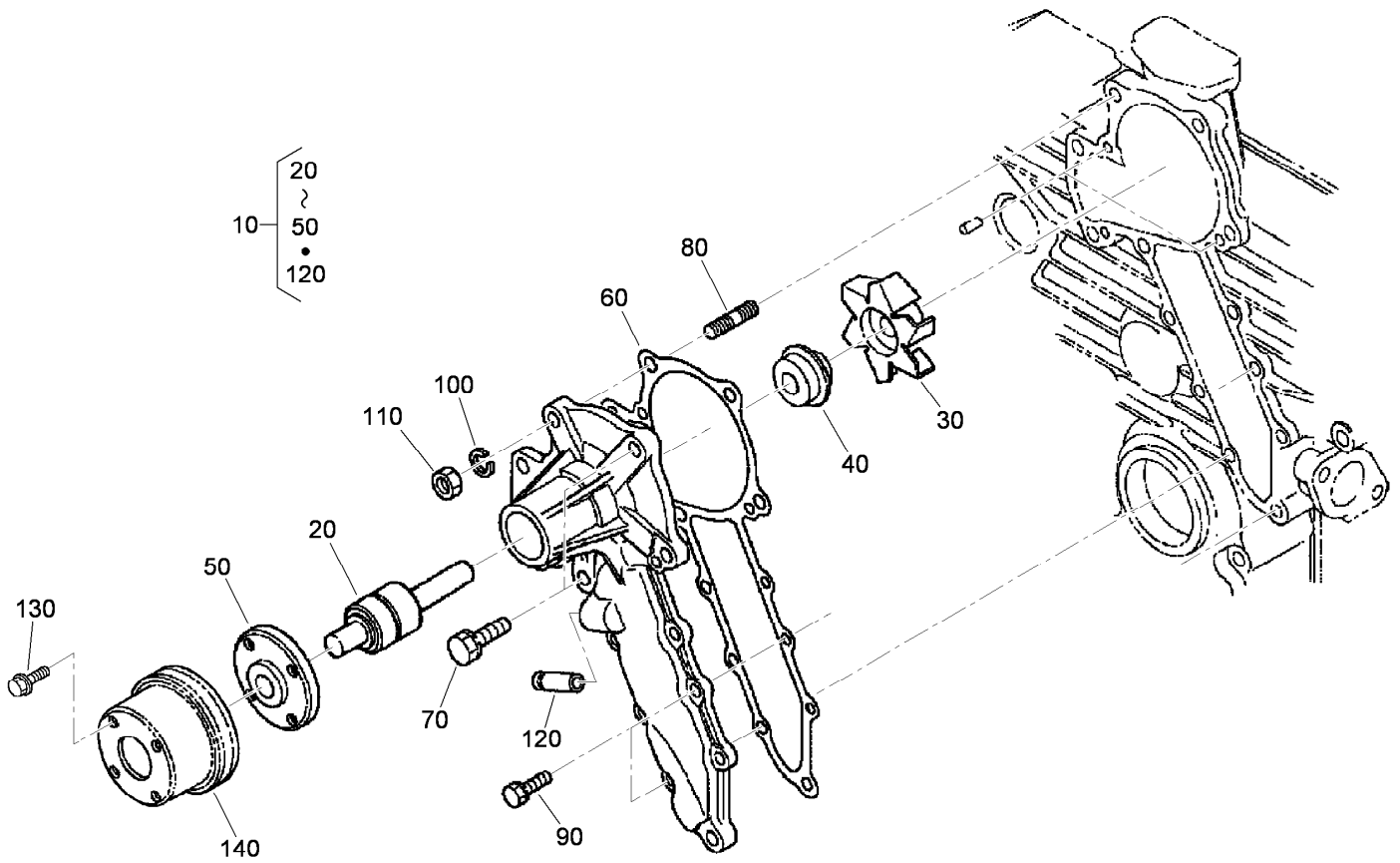
Starter Components Assembly

<i>Ref.</i>	<i>Part Number</i>	<i>Qty.</i>	<i>Description</i>	<i>Ref.</i>	<i>Part Number</i>	<i>Qty.</i>	<i>Description</i>
10	115-8603	1	Starter ASM	150	115-8612	1	Holder-Brush
20	115-8604	1	Yoke	160	115-8613	4	Spring
30	115-8605	1	Brush Kit	165	115-8614	4	Spring-Brush
40	115-8606	1	Armature	170	115-8615	1	Magnetic Switch ASM
50	115-8607	1	Bearing	180	115-8616	2	Screw
60	98-7744	1	Bearing	190	115-8617	2	Screw
70	115-8608	1	Clutch-Running, Over	200	115-8618	2	Bolt-Thru
80	112-2833	1	Gear-Pinion	210	98-7755	1	Ball
90	98-9707	5	Roller	220	98-7754	1	Spring
100	98-7752	1	Retainer	230	98-7757	2	O-Ring
110	98-7751	1	Gear	240	115-8619	1	Pipe-Drain
120	115-8609	1	Gear	250	98-7760	1	Nut-Hex
130	115-8610	1	Frame-End, Drive	260	99-8376	1	Nut-Hex
140	115-8611	1	Frame-End	270	98-9711	1	Cord-Solenoid, Stop



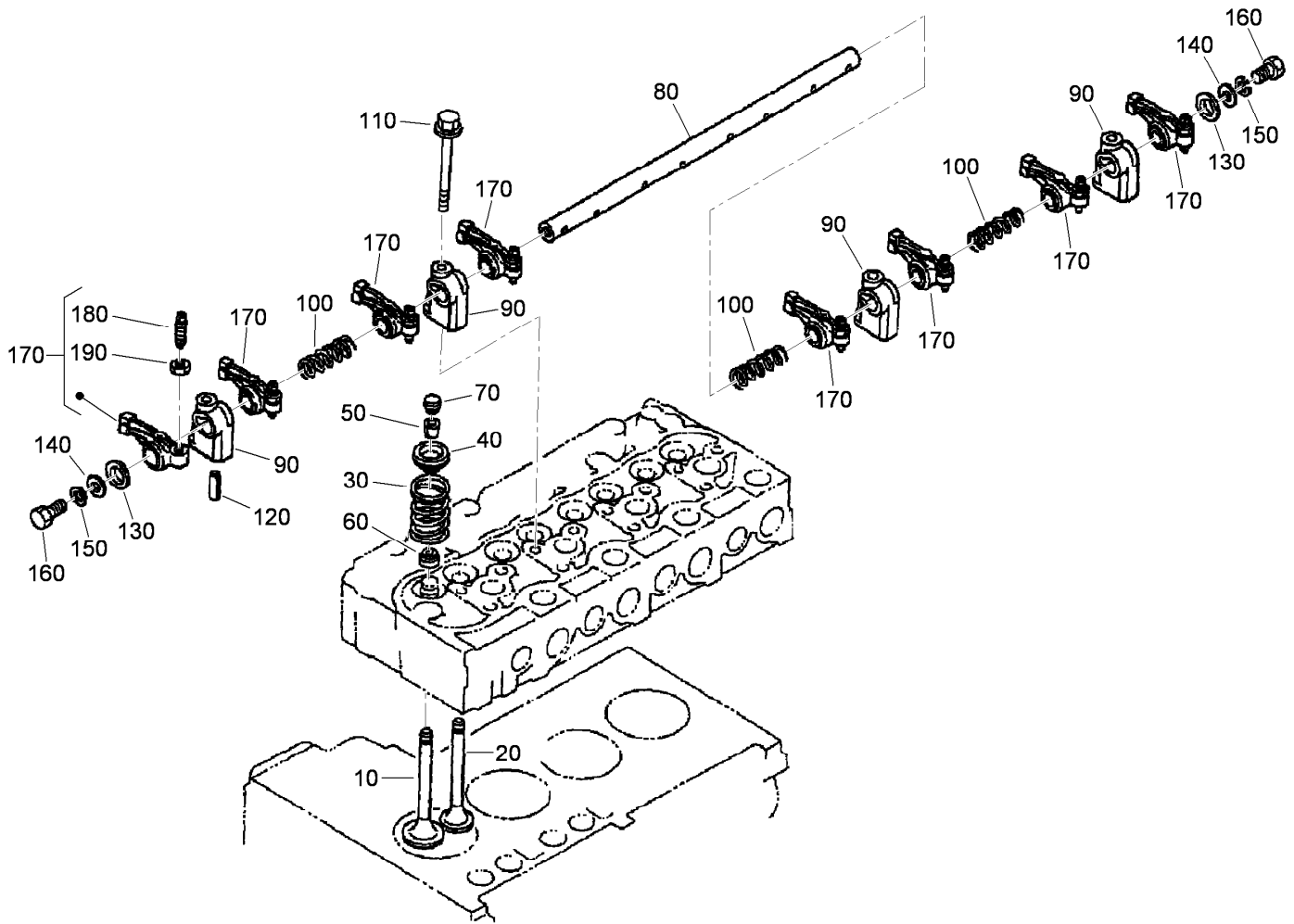
Water Flange and Thermostat Assembly

<i>Ref.</i>	<i>Part Number</i>	<i>Qty.</i>	<i>Description</i>	<i>Ref.</i>	<i>Part Number</i>	<i>Qty.</i>	<i>Description</i>
10	105-4578	1	Water Flange ASM	100	105-2893	1	Washer-Spring
30	105-2874	2	Plug	110	115-8620	1	Pipe-Return, Water
40	105-2875	2	Bolt-Flange	120	115-8621	1	Clamp-Hose
45	107-0117	1	Bolt-Flange	130	105-2879	1	Clamp-Hose
50	98-7767	1	Gasket-Flange, Water	140	100-9244	1	Cover-Thermostat
60	98-9359	2	Bolt	150	105-3748	1	Gasket-Thermostat
70	100-1558	1	Stud	160	98-7777	2	Bolt
80	107-0115	1	Bolt	170	105-2881	1	Thermostat ASM
90	98-7534	1	Nut				



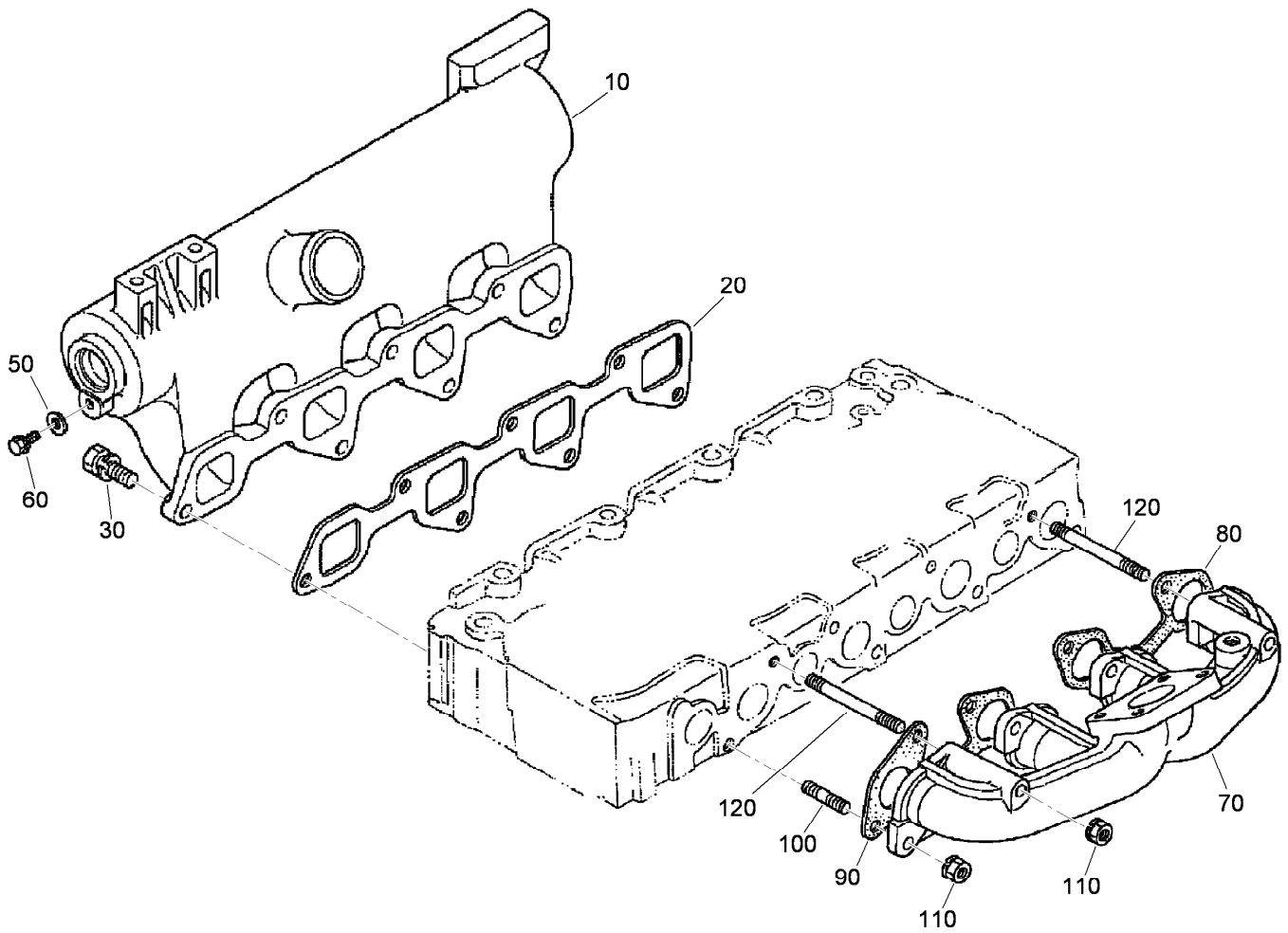
Water Pump Assembly

<i>Ref.</i>	<i>Part Number</i>	<i>Qty.</i>	<i>Description</i>
10	115-8622	1	Water Pump ASM
20	98-7780	1	Bearing-Ball
30	107-0130	1	Impeller-Pump, Water
40	105-2882	1	Mechanical Seal ASM
50	108-7089	1	Flange-Shaft, Water Pump
60	115-8624	1	Gasket-Pump, Water
70	98-7439	2	Bolt
80	108-7090	1	Stud
90	98-7605	6	Bolt
100	105-2893	1	Washer-Spring
110	98-7534	1	Nut
120	98-9580	1	Pipe-Return, Water
130	107-4317	4	Bolt-Flange
140	115-8625	1	Pulley-Fan



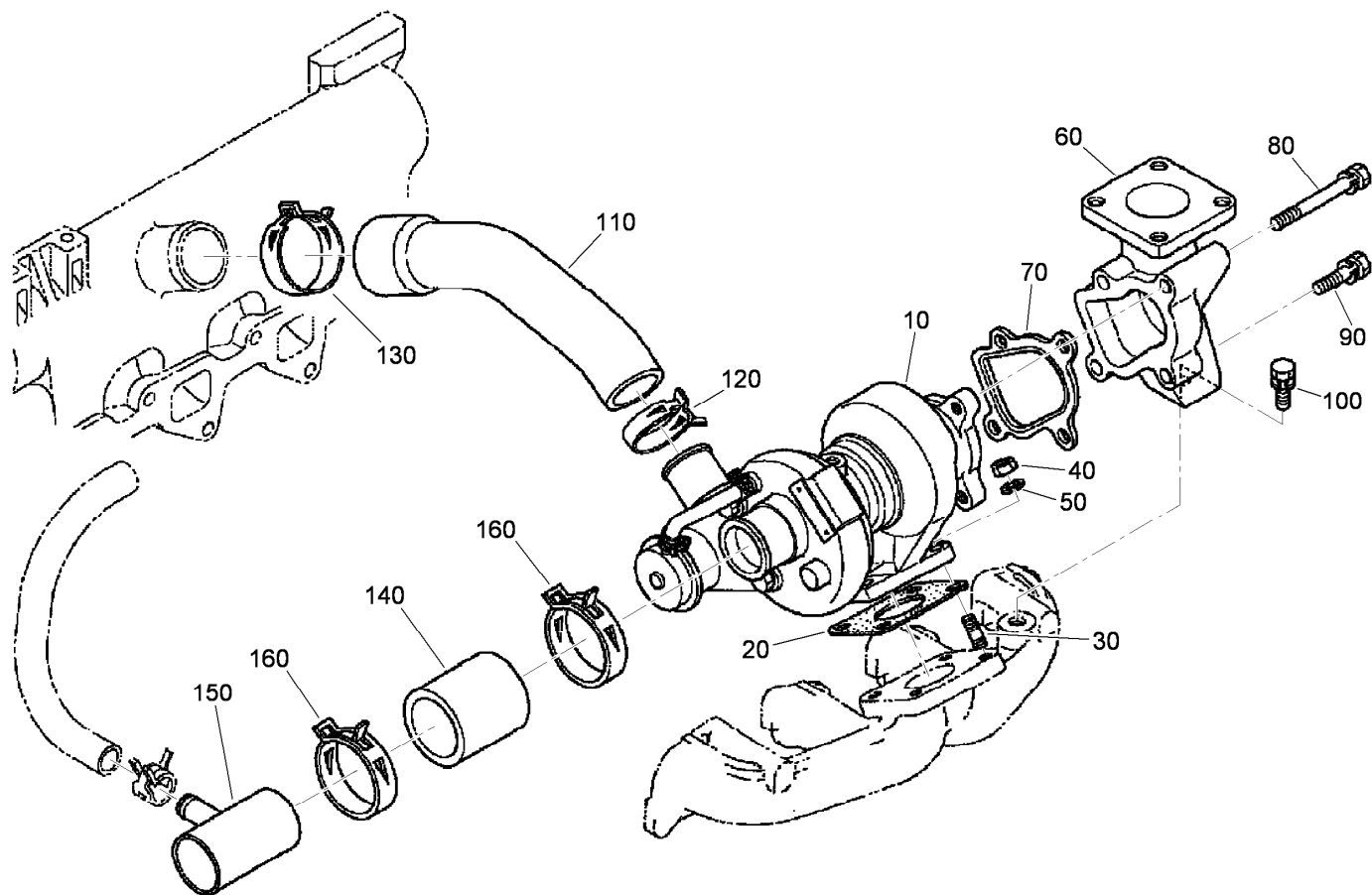
Valve and Rocker Arm Assembly

<i>Ref.</i>	<i>Part Number</i>	<i>Qty.</i>	<i>Description</i>	<i>Ref.</i>	<i>Part Number</i>	<i>Qty.</i>	<i>Description</i>
10	115-8626	4	Valve-Inlet	110	108-7091	4	Bolt-Flange
20	114-5099	4	Valve-Exhaust	120	98-7805	1	Pin-Spring
30	98-7793	8	Spring-Valve	130	98-7806	2	Washer
40	98-7794	8	Retainer-Spring, Valve	140	98-7660	2	Washer-Plain
50	98-7795	8	Collet-Spring, Valve	150	105-2893	2	Washer-Spring
60	98-7796	8	Seal-Stem, Valve	160	98-7884	2	Bolt
70	98-7797	8	Cap-Valve	170	98-7809	8	Rocker Arm ASM
80	107-0134	1	Shaft-Arm, Rocker	180	98-7810	8	Screw-Adjusting
90	98-7800	4	Bracket-Arm, Rocker	190	98-7811	8	Nut
100	98-7807	3	Spring-Arm, Rocker				



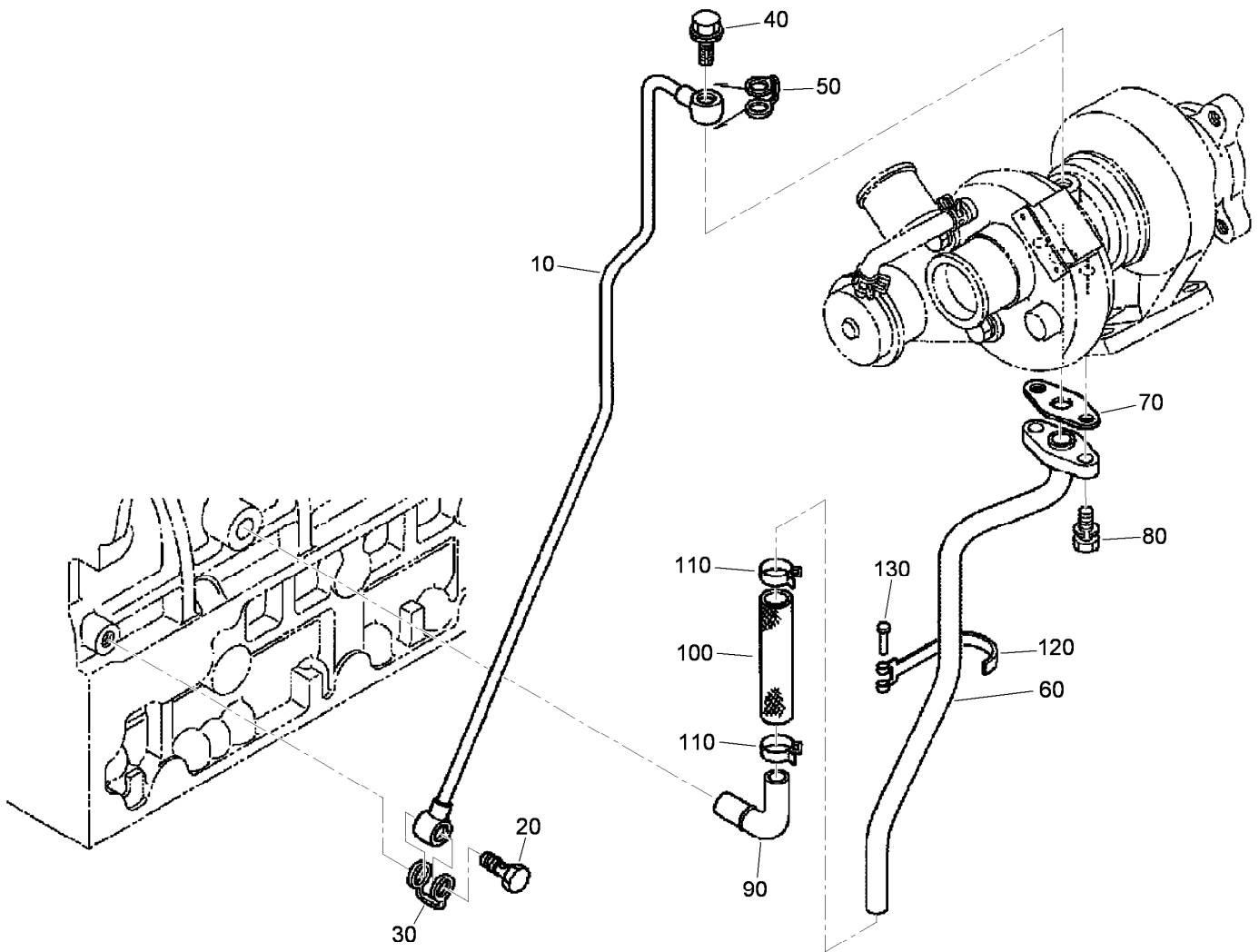
Inlet and Exhaust Manifold Assembly

<i>Ref.</i>	<i>Part Number</i>	<i>Qty.</i>	<i>Description</i>
10	115-8627	1	Manifold-Inlet
20	100-9284	1	Gasket-Manifold, Intake
30	98-7610	1	Bolt
50	98-7654	1	Gasket
60	107-4317	1	Bolt-Flange
70	108-7092	1	Manifold-Exhaust
80	98-7802	1	Gasket
90	98-7803	1	Gasket
100	100-1558	6	Stud
110	100-9288	8	Nut
120	100-9289	2	Stud



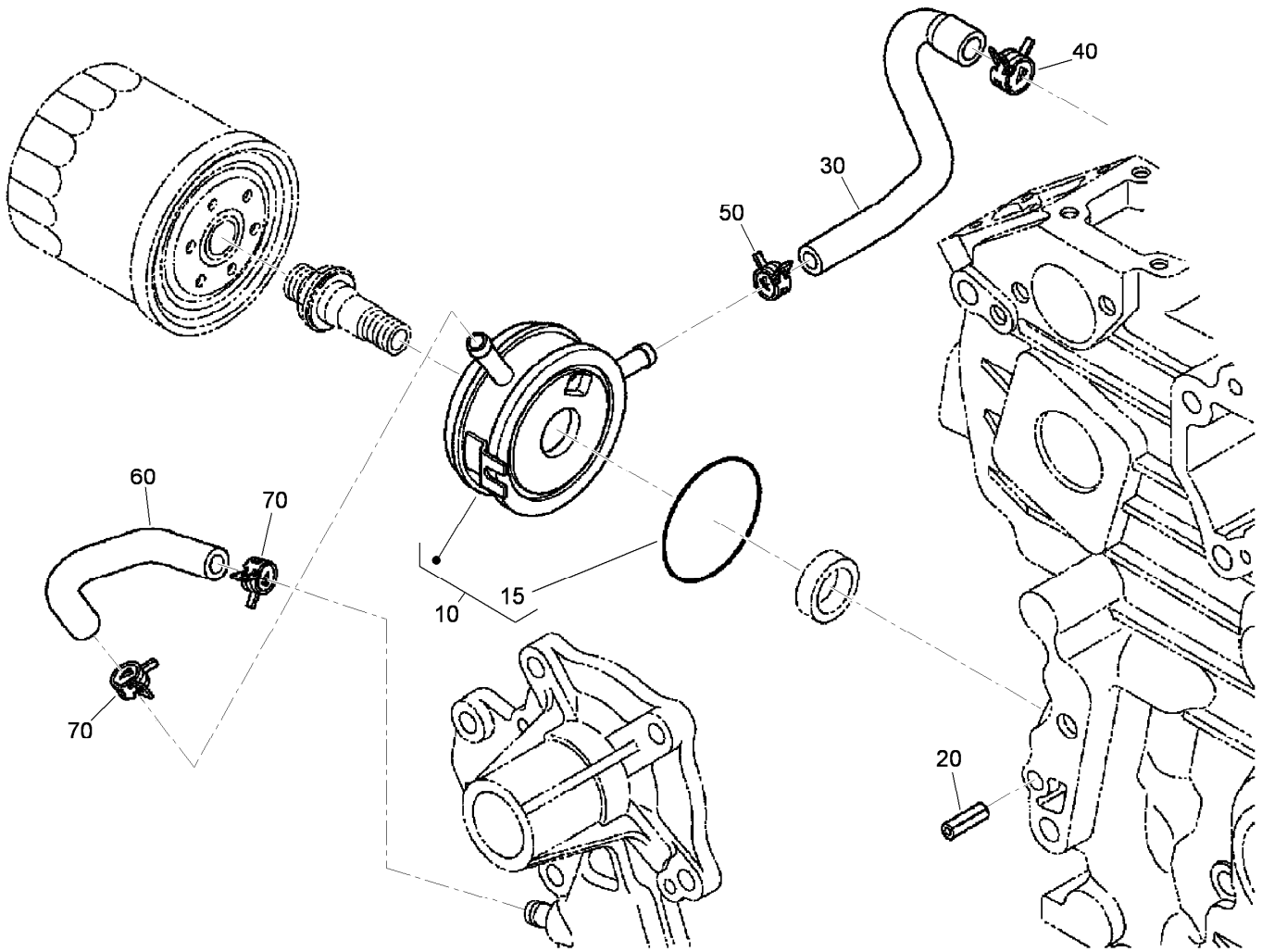
Turbo Charger Assembly

<i>Ref.</i>	<i>Part Number</i>	<i>Qty.</i>	<i>Description</i>	<i>Ref.</i>	<i>Part Number</i>	<i>Qty.</i>	<i>Description</i>
10	115-8628	1	Turbo Charger ASM	90	98-7777	2	Bolt
20	100-9314	1	Gasket	100	115-8629	1	Bolt
30	99-8342	4	Stud	110	115-8630	1	Hose-Inlet
40	98-7534	4	Nut	120	100-9319	1	Band-Pipe
50	105-2893	4	Washer-Spring	130	99-8322	1	Band-Pipe
60	108-7094	1	Flange-Muffler	140	115-8631	1	Tube-Inlet, Turbo
70	100-9316	1	Gasket	150	115-8632	1	Pipe-Breather, Inlet
80	98-7590	2	Bolt	160	99-8322	2	Band-Pipe



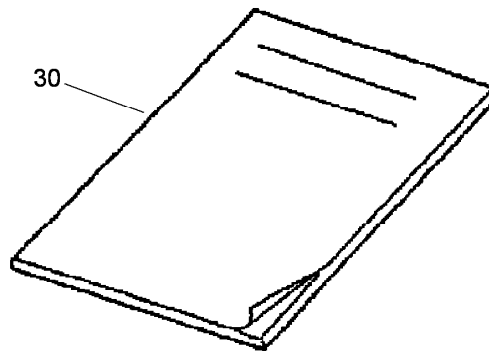
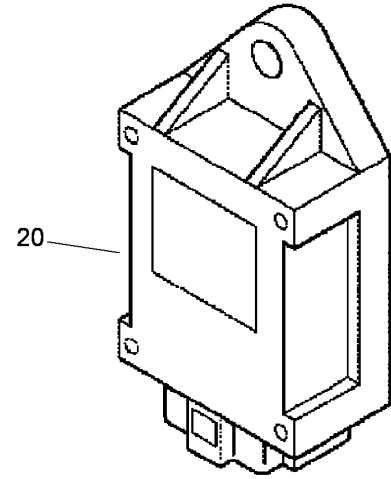
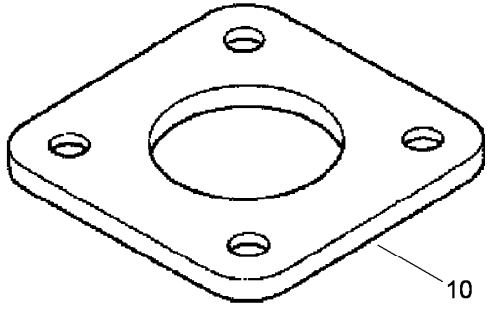
Oil Pipe (Turbo Charger) Assembly

Ref.	Part Number	Qty.	Description
10	115-8633	1	Pipe-Oil
20	100-9321	1	Bolt-Joint, Eye
30	115-8634	1	Gasket
40	115-4126	1	Bolt-Joint, Eye
50	115-8635	1	Gasket
60	115-8636	1	Pipe-Oil
70	108-4422	1	Gasket
80	98-7605	2	Bolt
90	100-9323	1	Pipe-Oil
100	108-7095	1	Tube-Oil
110	98-9714	2	Clamp-Hose
120	108-7096	1	Clamp-Pipe
130	98-9591	1	Pin-Band



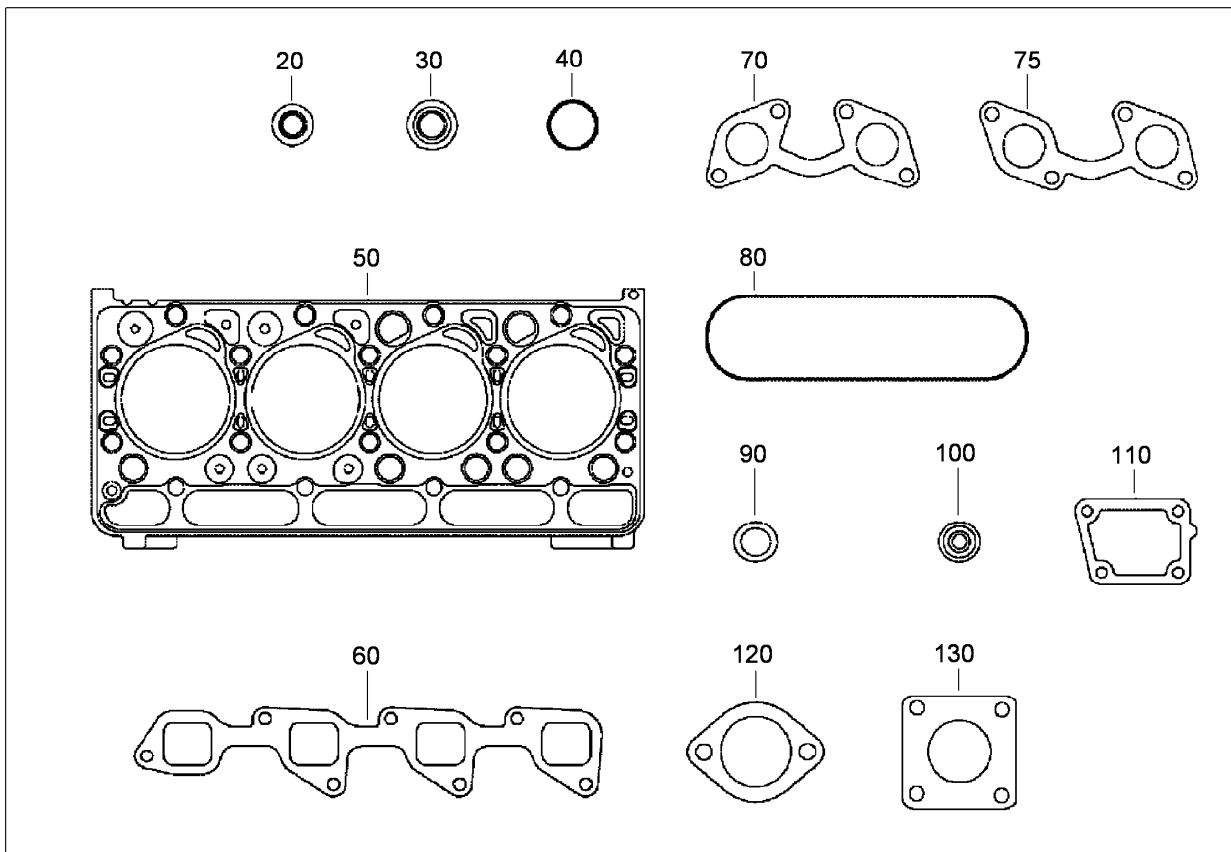
Oil Cooler Assembly

Ref.	Part Number	Qty.	Description
10	115-8637	1	Oil Cooler ASM
15	115-8638	1	O-Ring
20	115-8639	1	Pin-Spring
30	115-8640	1	Hose-Cooler, Oil
40	105-2879	1	Clamp-Hose
50	98-9579	1	Band-Pipe
60	115-8641	1	Hose-Cooler, Oil
70	98-9579	2	Band-Pipe



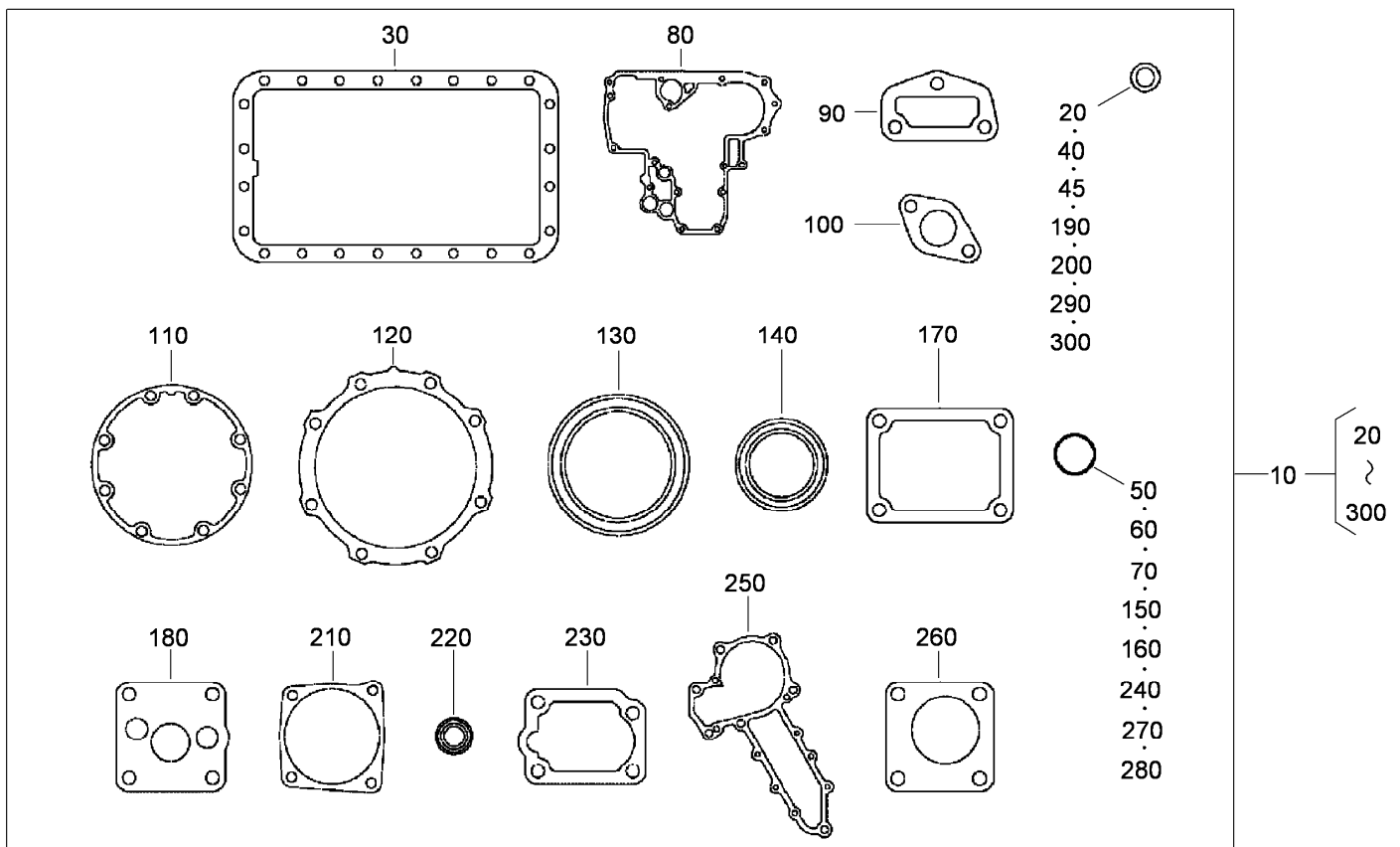
Muffler Gasket, Glow Controller and Operator Manual

<i>Ref.</i>	<i>Part Number</i>	<i>Qty.</i>	<i>Description</i>
10	100-9333	1	Gasket-Muffler
20	98-7611	1	Controller-Glow
30	115-8642	1	Manual-Operator



Upper Gasket Kit

Ref.	Part Number	Qty.	Description
10	115-8643	1	Upper Gasket Kit
20	98-7763	1	Washer-W/Rubber
30	98-7796	8	Seal-Stem, Valve
40	108-7064	1	O-Ring
50	115-8509	1	Gasket-Head, Cylinder (1.20Mm)
60	100-9284	1	Gasket-Manifold, Intake
70	98-7803	1	Gasket
75	98-7802	1	Gasket
80	108-7062	1	Gasket-Cover, Head
90	98-7676	4	Gasket
100	98-7677	4	Seal-Heat
110	98-7767	1	Gasket-Flange, Water
120	105-3748	1	Gasket-Thermostat
130	100-9333	1	Gasket-Muffler



Lower Gasket Kit

<i>Ref.</i>	<i>Part Number</i>	<i>Qty.</i>	<i>Description</i>	<i>Ref.</i>	<i>Part Number</i>	<i>Qty.</i>	<i>Description</i>
10	115-8644	1	Lower Gasket Kit	150	98-7478	1	O-Ring
20	98-7524	1	Gasket	160	108-7054	1	O-Ring
30	108-7053	1	Gasket-Pan, Oil	170	98-7604	1	Gasket-Cover, Pump
40	98-7528	1	O-Ring	180	115-8648	1	Gasket-Pump, Oil
45	98-9399	2	Gasket	190	98-7654	2	Gasket
50	107-0104	1	O-Ring	200	98-7636	2	Gasket
60	115-8514	2	O-Ring	210	115-8566	1	Gasket
70	107-0106	1	O-Ring	220	115-8576	2	Seal-Oil
80	115-8516	1	Gasket-Case, Gear	230	115-8578	2	Gasket-Plate
90	115-8521	1	Gasket-Flange, Return	240	110-3762	1	O-Ring
100	115-8645	1	Gasket-Pump, Fuel	250	115-8624	1	Gasket-Pump, Water
110	98-7435	1	Gasket-Case, Bearing	260	115-8522	1	Gasket-Meter, Hour
120	98-7437	1	Gasket-Case Cover, Bearing	270	115-8649	1	O-Ring
130	108-7072	1	Seal-Oil	280	115-8570	1	O-Ring
140	98-7480	1	Seal-Oil	290	115-8571	1	Gasket
				300	98-7428	1	Gasket

Attachments and Accessories

For 30857 Groundsmaster 4500-D Traction Unit

Product Name	Model/Part
Blade-Lift, High	104-5183
Blade-Angle Sail	105-9810-03
Blade-Atomic	107-0235-03
27in Blade Service Pack	108-1463
Blade-Combo	108-9026-03
Operator Fan Kit - US Sales Only, 3-Inch ROPS Post	110-8804
MVP Filter Kit	30056
Hardtop Sunshade	30359
27in Rotary Cutting Unit	30834
Leaf Mulching Kit	30836
Cab Kit	30860
Air Conditioner Mounting Kit	30862
Flow Divider Kit	30871
Diagnostic Display Box	85-4750

Notes:



Count on it.