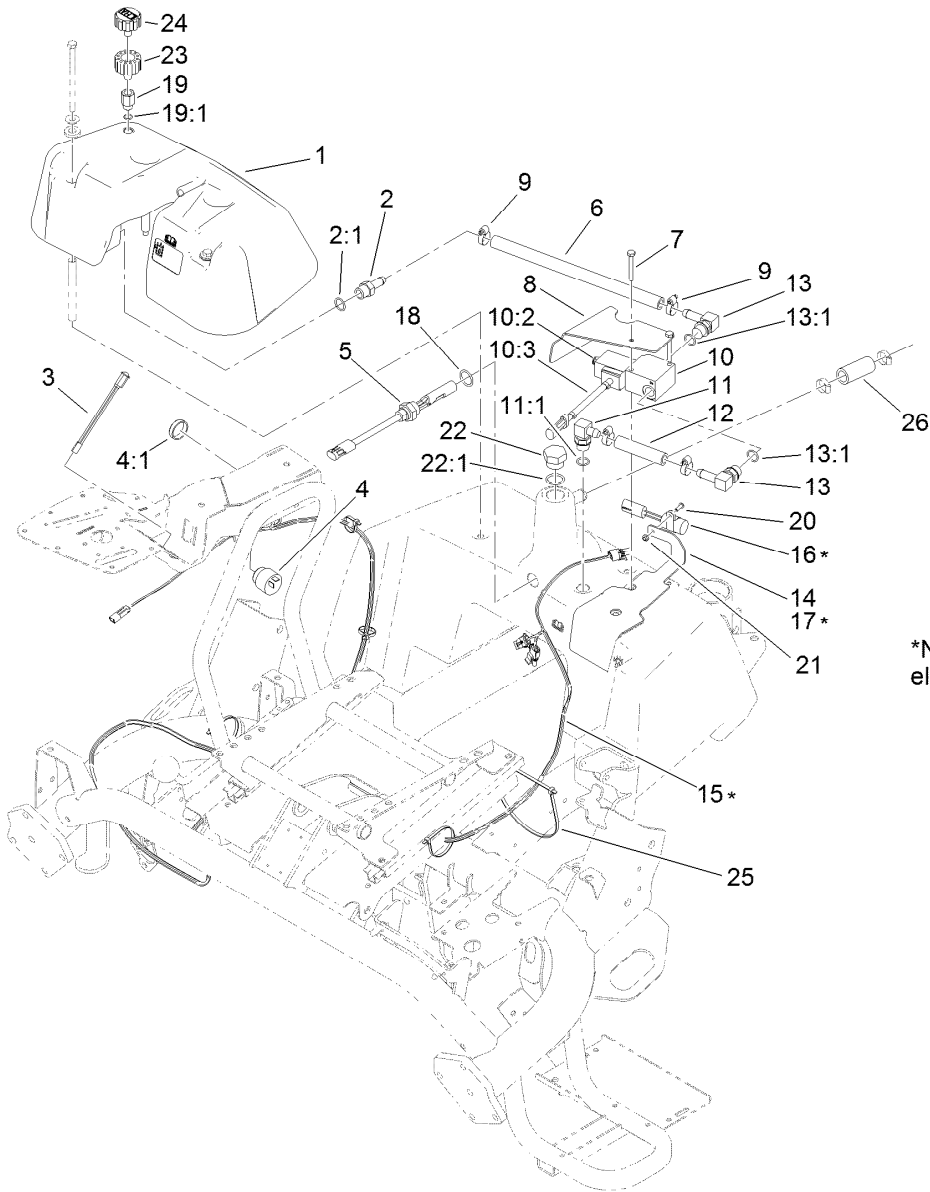




**Count on it.**

**Parts Catalog**

**Hydraulic Oil Leak Detector Kit**  
**Greensmaster® 3300/3400 Series TriFlex™**  
**Traction Unit**  
Model No. 04715



\*Not required for the AC electric model 04530

## Hydraulic Oil Leak Detector Assembly

Ref.	Part Number	Qty.	Description	Ref.	Part Number	Qty.	Description
1	115-9824	1	Tank-Detector, Leak	13	354-120	2	Fitting-HYD, 90 DEG
2	354-121	1	Fitting-Straight	13:1	237-79	1	O-Ring
2:1	237-79	1	O-Ring	14	115-9844-03	1	Cover-Level, Oil (Gas)
3	95-7652	1	Light-Indicator	15	119-1767	1	Harness-Wire
4	80-9330	1	Alarm-Audio	16	83-2280	1	Timer-Delay
4:1	104-5107	1	Nut-Plastic, Knurled	17	115-9826-03	1	Cover-Level, Oil (Diesel)
5	83-1450	1	Sensor-Level, Oil	18	237-80	1	O-Ring
6	83-2070	1	Hose-Valve	19	01-201-0490	1	Fitting-Adapter, HYD
7	321-11	2	Screw-HH	19:1	237-42	1	O-Ring
8	120-2027-03	1	Bracket-Shield	20	3274-39	1	Screw-HSBH
9	2412-36	4	Clamp-Hose	21	3296-12	1	Nut-Lock, NI
10	83-1460	1	Solenoid Valve ASM	22	354-74	1	Plug-HH
10:2	83-2000	1	Spool-Valve	22:1	237-81	1	O-Ring
10:3	83-2010	1	Coil ASM	23	92-8020	1	Adapter-Breather
11	119-9331	1	Fitting-HYD, 90 DEG	24	68-6150	1	Breather
11:1	237-79	1	O-Ring	25	3290-379	8	Tie-Cable
12	83-2080	1	Hose-Valve, Tank	26	110-3998	1	Hose-Overflow