



Count on it.

Parts Catalog

53cm Super Recycler[®] Lawn Mower

Model No. 20792—Serial No. 311000001 and Up

Ordering Replacement Parts

To order replacement parts, please supply the part number, the quantity, and the description of each part desired.

Understanding Reference Numbers

Each identified part in an illustration has a reference number. The reference number for a part also appears in the parts list, along with other information about the part.

This catalog uses two special reference number formats, one to indicate parts in a service assembly and another to indicate the quantity of a given part in an illustration.

Service Assembly Reference Numbers

Parts in service assemblies have reference numbers in the form a:b. The a represents the reference number of the entire service assembly and the b represents a sequential number unique to each part within the service assembly.

For example, a wheel assembly might be identified by reference number 6, the tire by 6:1, the valve by 6:2, and the wheel by 6:3. When you order the assembly identified by reference number 6, you receive all parts identified by reference numbers 6:1, 6:2, and 6:3. However, you may also order any part individually. Reference numbers of this type appear in illustration and in parts lists.

Reference Numbers Indicating Quantity

In an illustration, if a reference number indicates more than one part, the reference number has the form nX y. The n represents the quantity of the part, the X is the multiplication symbol, and the y represents the reference number.

For example, in an illustration, the reference number 2X 37 means that two of the parts identified by reference number 37 are indicated.

List of Abbreviations

AR: as required

ASM: assembly

BBC: blade brake control

BHTF: button head thread forming

CARR: carriage

CCW: counter clockwise

CW: clockwise

DEG: degrees

DPA: Dual Point Adjustment

ECM: electronic control module

EXT: external

FH: flat head

GA: gauge

HD: heavy-duty

HF: hex flange

HH: hex head

HHF: hex head flange

HHFTF: hex head flange thread forming

HJ: hex jam

HLH: hex lag head

HOC: height-of-cut

HSBH: hex socket button head

HSFH: hex socket flat head

HSH: hex socket head

HWH: hex washer head

HWHTF: hex washer head thread forming

HYD: hydraulic

LH: left hand

LP: Liquid Propane

NI: nylon insert

NPTF: national pipe thread fine

PFH: phillips flat head

PPH: phillips pan head

PPHTF: phillips pan head thread forming

PRH: phillips round head

PTH: phillips truss head

PTO: power-take-off

RH: right hand

ROPS: roll-over protection system

RRB: rear roller brush

SFH: slotted fillister head

SHH: slotted hex head

SHWH: slotted hex washer head

SPH: slotted pan head

SQH: square head

SRH: slotted round head

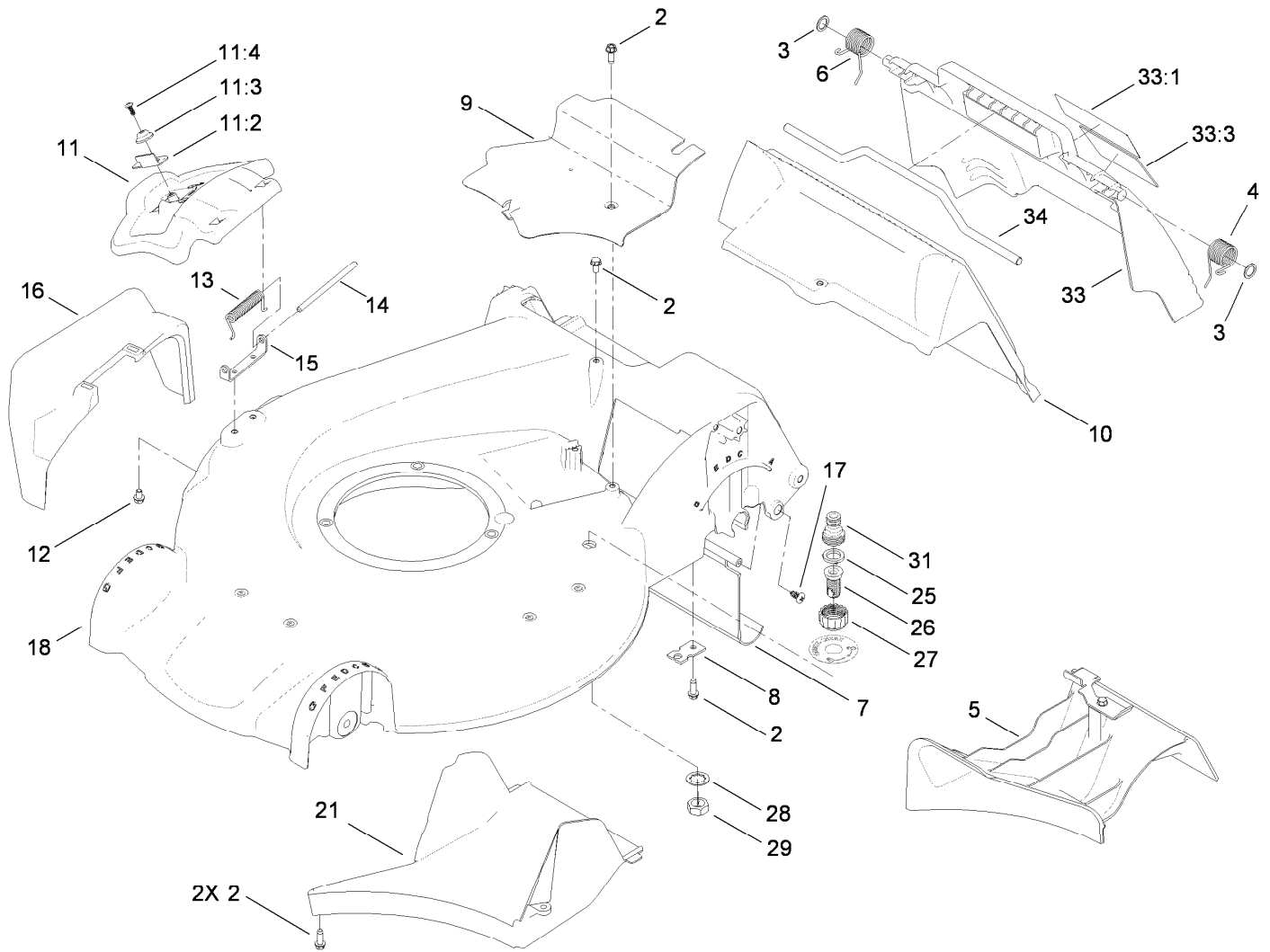
STD: standard

TAP: self tapping

TTH: torx truss head

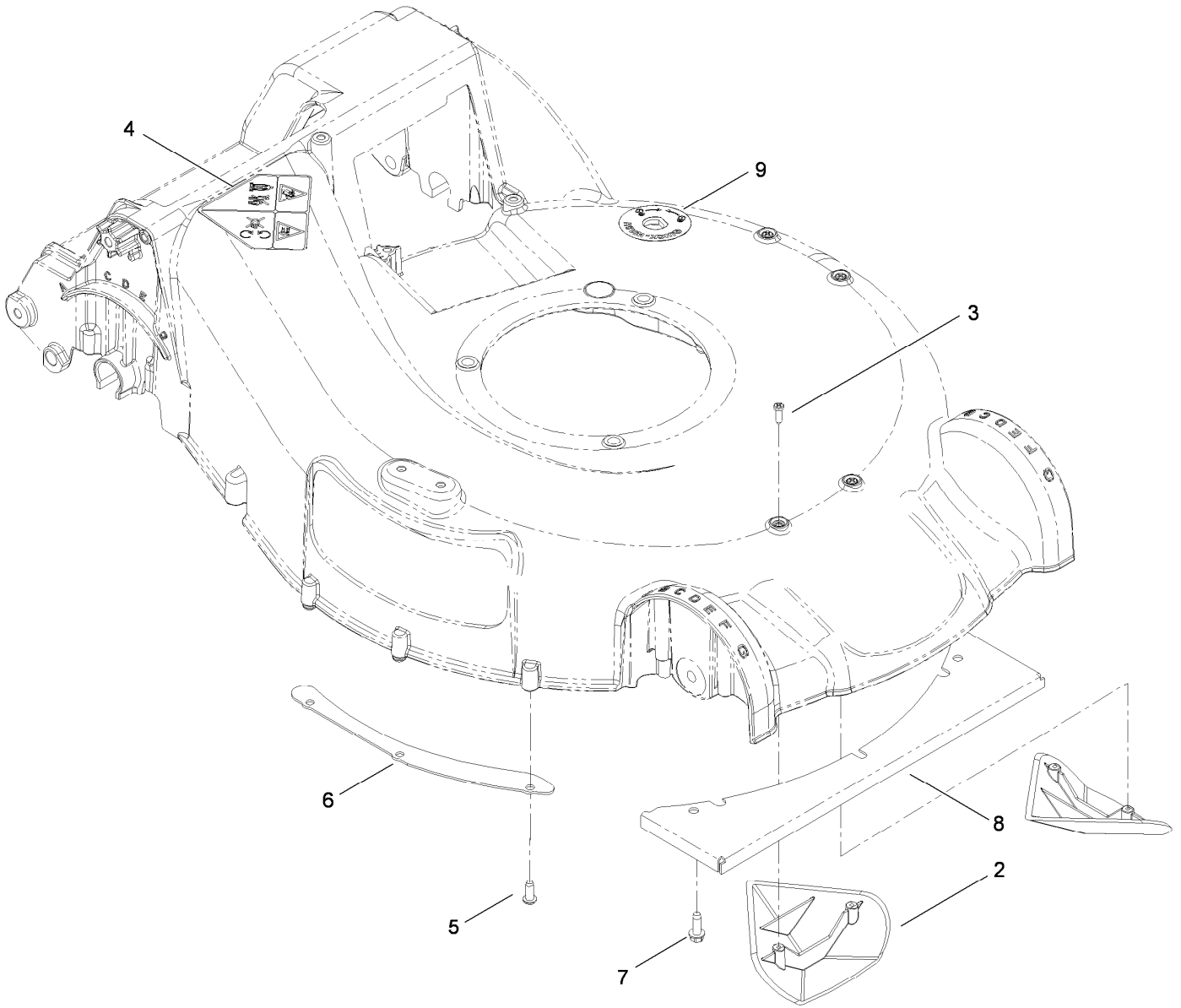
Contents

Housing and Rear Door Assembly	4
Housing Assembly No. 115-2855	5
Front Wheel and Height-of-Cut Assembly	6
Rear Wheel and Transmission Assembly	7
Engine and Blade Assembly	8
Handle Assembly	9
Rear Bag Assembly	10
Attachments and Accessories	11



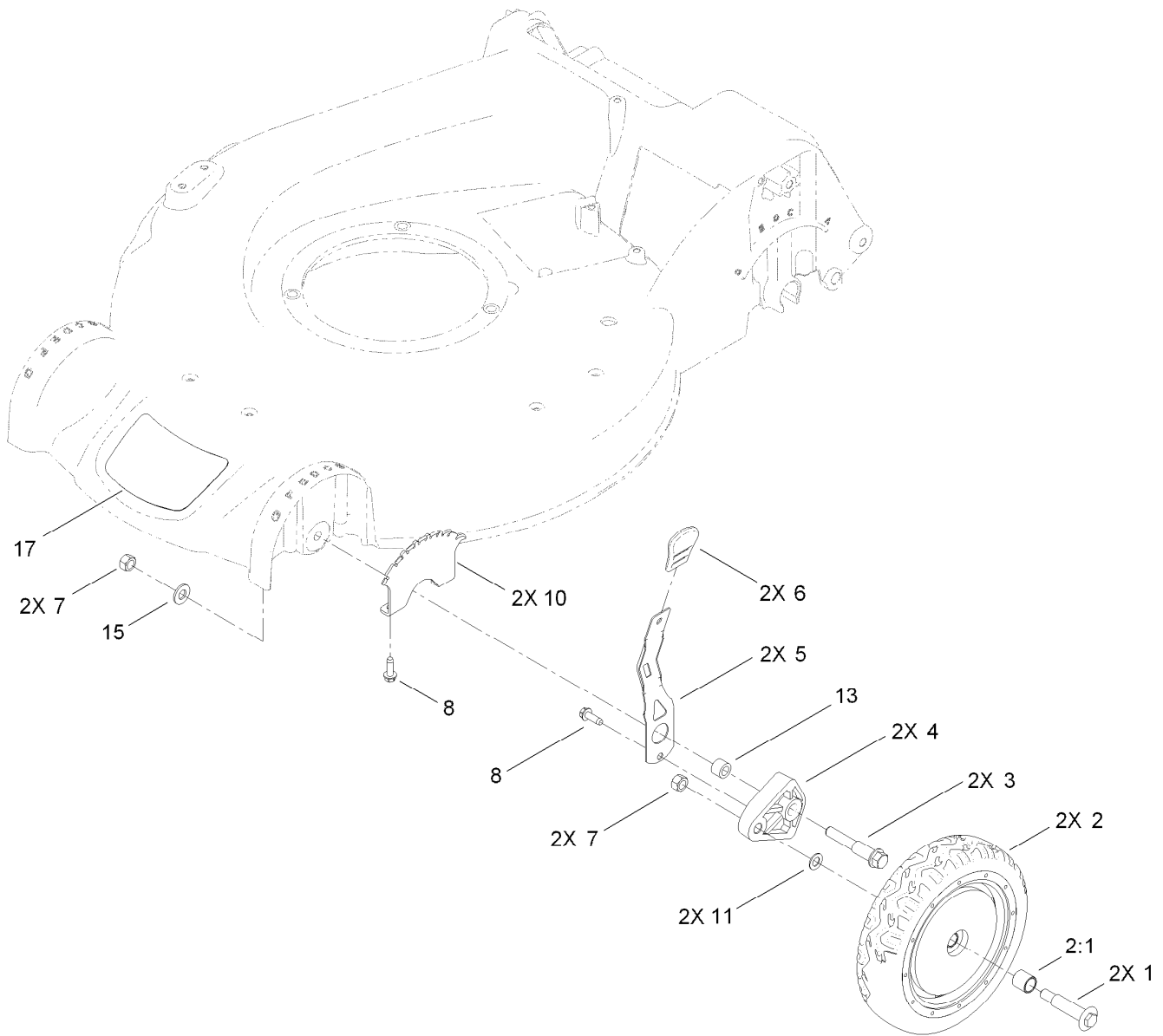
Housing and Rear Door Assembly

Ref.	Part Number	Qty.	Description	Ref.	Part Number	Qty.	Description
2	49-2040	5	Screw-HWHTF	15	112-6416	1	Bracket-Cover
3	94-8196	2	Washer-Nylon	16	108-3753	1	Chute-Discharge, Side
4	115-2859	1	Spring-Torsion	17	117-1092	2	Screw-PTH
5	115-8413	1	Mulch Plug ASM	18	115-2855	1	Housing ASM
6	114-7924	1	Spring-Torsion	21	107-7495	1	Tunnel-Discharge
7	114-1586	1	Shield-Trailing	25	112-6438	1	Washer-Seal, Washout Port
8	107-7497	1	Bracket-Cable, Traction	26	112-6400	1	Port-Washout
9	107-7494	1	Cover-Belt	27	112-6401	1	Coupling-Hose, Washout Port
10	114-2668	1	Chute	28	3254-5	1	Washer-Tooth, Internal
11	107-3717	1	Discharge Door ASM	29	3218-6	1	Nut-Jam
11:2	107-0795	1	Latch-Door	31	112-6437	1	Adapter-Connect, Quick
11:3	107-7456	1	Cap-Door	33	119-3803	1	Rear Door ASM
11:4	107-7461	1	Screw-Plastite	33:1	114-7982	1	Decal-Warning
12	99-8445	2	Screw-HWH, Taptite	33:3	104-7908	1	Decal-Warning
13	99-5293	1	Spring-Torsion	34	117-9378	1	Rod-Deflector
14	99-5291	1	Rod-Cover				



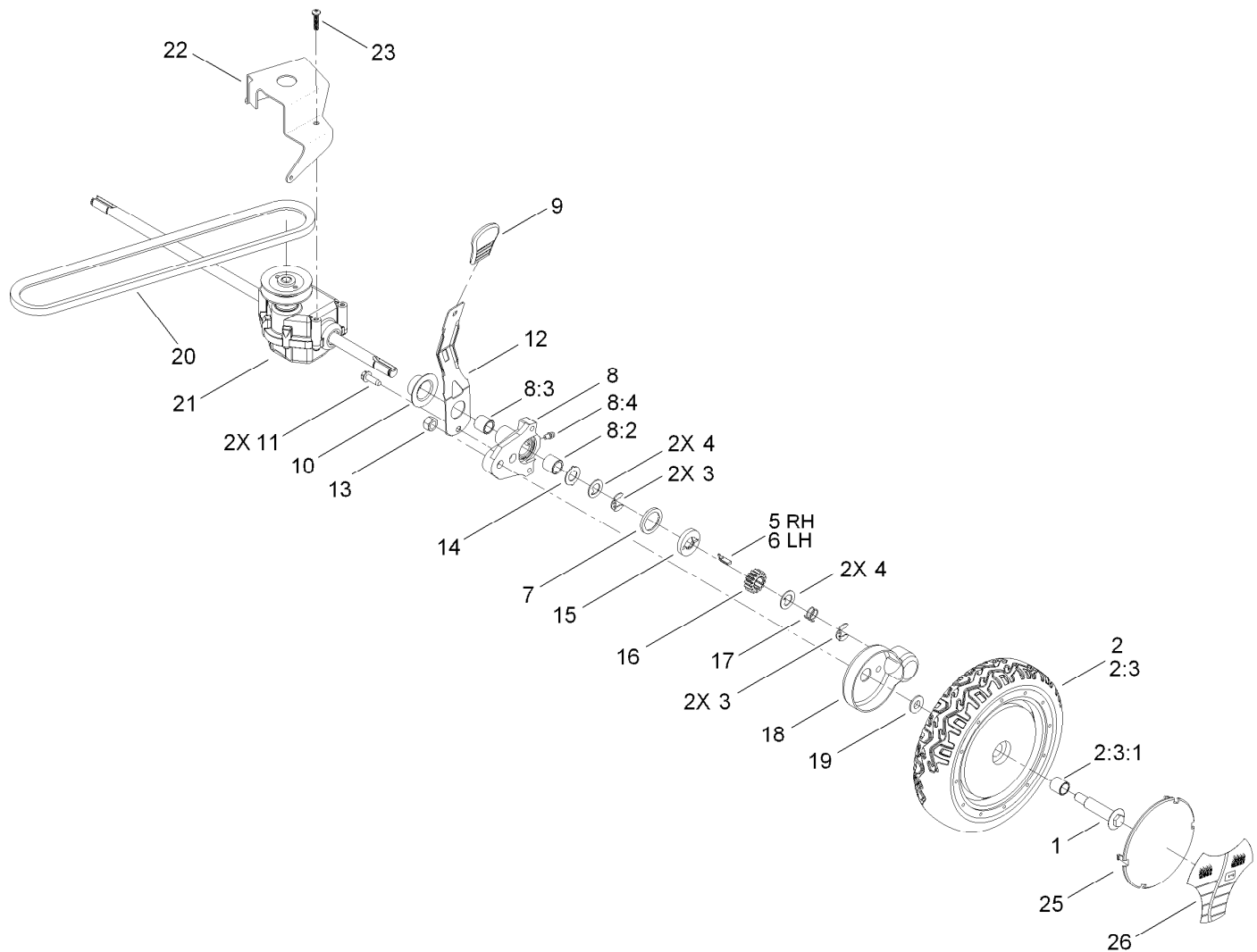
Housing Assembly No. 115-2855

Ref.	Part Number	Qty.	Description
2	108-3798	2	Kicker-Housing
3	32144-111	4	Screw-PPH
4	112-8760	1	Decal-Danger
5	63-8590	3	Screw
6	105-1316-03	1	Sheet-Lip
7	49-2040	3	Screw-HWHTF
8	108-3797-03	1	Plate-Cover, Front
9	112-8867	1	Decal-Port, Washout



Front Wheel and Height-of-Cut Assembly

Ref.	Part Number	Qty.	Description
1	92-1057	2	Bolt-Shoulder
2	107-3706	2	8 Inch Wheel ASM
2:1	27-6250	2	Bushing
3	114-3467	2	Screw-Shoulder
4	107-7492	2	Arm-Pivot
5	107-7491	2	Arm-Spring
6	110-0549	2	Knob-HOC
7	603773	4	Nut
8	49-2040	13	Screw-HWHTF
10	107-7478	4	Plate-HOC
11	40-1940	2	Washer
13	52-2480	2	Spacer-Wheel
15	3256-24	2	Washer-Flat
17	120-5232	1	Decal-Deck

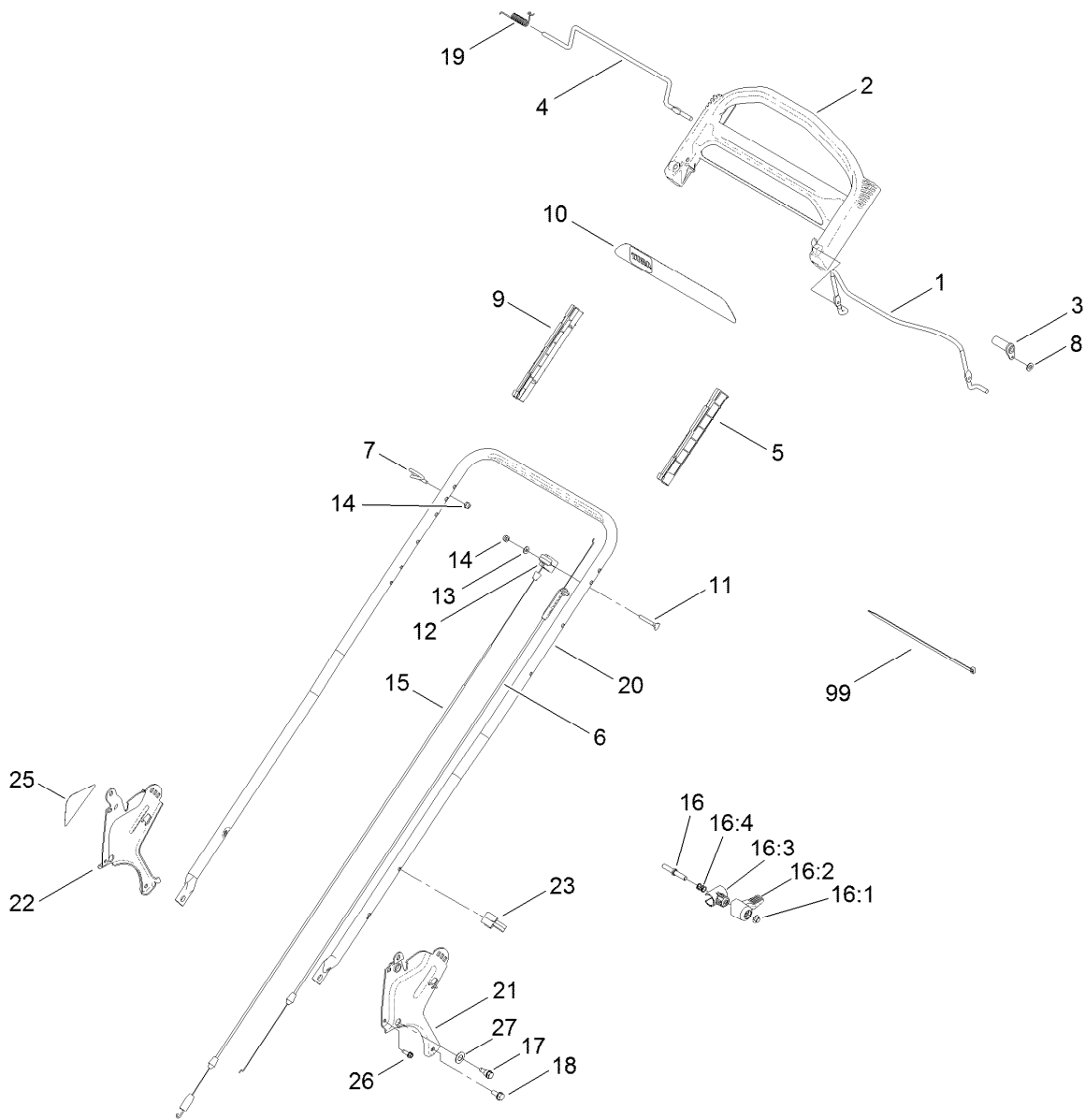


Rear Wheel and Transmission Assembly

Ref.	Part Number	Qty.	Description	Ref.	Part Number	Qty.	Description
1	92-1057	2	Bolt-Shoulder	11	49-2040	2	Screw-HWHTF
2	107-3707	2	8 Inch Wheel And Gear ASM	12	107-7491	2	Arm-Spring
2:3		1	8 Inch Wheel ASM ■	13	603773	2	Nut
2:3:1	27-6250	2	Bushing	14	65-4730	2	Washer-Arm, Pivot
3	65-2720	4	Ring-Clip, Locking	15	65-4760	2	Washer-Clutch
4	65-4740	4	Washer-Thrust, Keyed	16	65-4750	2	Gear-Pinion
5	66-6040	1	Key-Rocking, RH ●	17	65-4720	2	Spring-Compression
6	66-6050	1	Key-Rocking, LH	18	74-1660	2	Cover-Wheel
7	65-4710	2	Ring-Friction	19	74-1671	2	Spacer-Cover, Wheel
8	100-8774	2	Pivot Arm ASM	20	92-1043	1	V-Belt
8:2	47-2900	1	Bushing	21	115-4560	1	Transmission ASM
8:3	70-9760	1	Bushing	22	114-7977-03	1	Bracket-Transmission
8:4	302-56	1	Fitting-Grease	23	108-7476	3	Screw-Plastite
9	110-0549	2	Knob-HOC	25	100-6351	1	Cover-Wheel
10	42-3520	2	Cap-End	26	100-1519	1	Label-Wheel, Smart

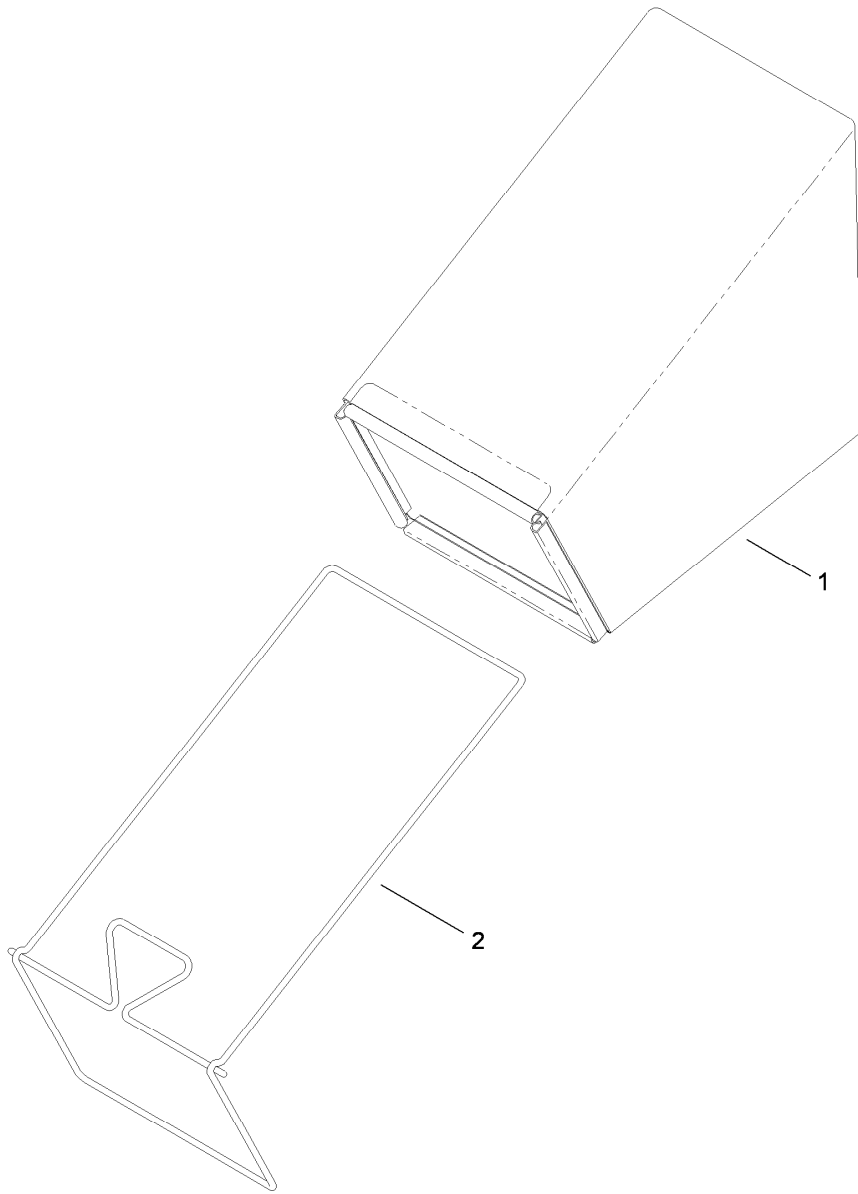
● Not illustrated

■ Not serviced separately



Handle Assembly

Ref.	Part Number	Qty.	Description	Ref.	Part Number	Qty.	Description
1	104-8679-03	1	Bail-Brake	16:1	109-0917	1	Nut-Push
2	104-8678	1	Handle-Control	16:2	114-7995	1	Lever
3	99-1589	1	Lever-Traction	16:3	114-7996	1	Anchor-Spring
4	99-1588	1	Bar-Control, Traction	16:4	115-2858	1	Spring-Compression
5	105-6842	1	Guide-LH	17	115-1958	2	Bolt-Shoulder
6	117-5900	1	Cable-Brake	18	32144-11	2	Screw-HWHTF
7	86-9671	1	Guide-Rope	19	104-8690	1	Spring-Torsion
8	3256-23	1	Washer-Flat	20	115-1300-05	1	Handle
9	105-6841	1	Guide-RH	21	114-2671-03	1	Bracket-Handle, LH
10	120-3911	1	Decal-Ads, Handle	22	114-2672-03	1	Bracket-Handle, RH
11	95-4453	1	Screw	23	114-7988	1	Guide-Cable
12	99-5239	1	Anchor-Cable	25	115-2884	1	Decal-Instruction
13	3256-1	1	Washer-Flat	26	49-2040	2	Screw-HWHTF
14	3296-73	2	Nut-Lock, NI	27	112-9972	2	Washer-Conical, Spring
15	108-8158	1	Cable-Traction	99	614249	3	Tie-Cable
16	115-2860	2	Quick Release ASM				



Rear Bag Assembly

<i>Ref.</i>	<i>Part Number</i>	<i>Qty.</i>	<i>Description</i>
1	114-2664	1	Grass Bag ASM
2	114-2679-03	1	Frame-Bag

Attachments and Accessories

For 20792 53cm Super Recycler Lawn Mower

Product Name	Model/Part
Traction Assist Handle Kit.....	108-8120
Cover-Lawnmower	490-7462
Plain Walk Mower Cover.....	490-7463



Count on it.