



Count on it.

Parts Catalog

GrandStand® Mower

With 48in TURBO FORCE® Cutting Unit

Model No. 74538—Serial No. 311000001 and Up

Ordering Replacement Parts

To order replacement parts, please supply the part number, the quantity, and the description of each part desired.

Understanding Reference Numbers

Each identified part in an illustration has a reference number. The reference number for a part also appears in the parts list, along with other information about the part.

This catalog uses two special reference number formats, one to indicate parts in a service assembly and another to indicate the quantity of a given part in an illustration.

Service Assembly Reference Numbers

Parts in service assemblies have reference numbers in the form a:b. The a represents the reference number of the entire service assembly and the b represents a sequential number unique to each part within the service assembly.

For example, a wheel assembly might be identified by reference number 6, the tire by 6:1, the valve by 6:2, and the wheel by 6:3. When you order the assembly identified by reference number 6, you receive all parts identified by reference numbers 6:1, 6:2, and 6:3. However, you may also order any part individually. Reference numbers of this type appear in illustration and in parts lists.

Reference Numbers Indicating Quantity

In an illustration, if a reference number indicates more than one part, the reference number has the form nX y. The n represents the quantity of the part, the X is the multiplication symbol, and the y represents the reference number.

For example, in an illustration, the reference number 2X 37 means that two of the parts identified by reference number 37 are indicated.

List of Abbreviations

AR: as required

ASM: assembly

BBC: blade brake control

BHTF: button head thread forming

CARR: carriage

CCW: counter clockwise

CW: clockwise

DEG: degrees

DPA: Dual Point Adjustment

ECM: electronic control module

EXT: external

FH: flat head

GA: gauge

HD: heavy-duty

HF: hex flange

HH: hex head

HHF: hex head flange

HHFTF: hex head flange thread forming

HJ: hex jam

HLH: hex lag head

HOC: height-of-cut

HSBH: hex socket button head

HSFH: hex socket flat head

HSH: hex socket head

HWH: hex washer head

HWTF: hex washer head thread forming

HYD: hydraulic

LH: left hand

LP: Liquid Propane

NI: nylon insert

NPTF: national pipe thread fine

PFH: phillips flat head

PPH: phillips pan head

PPHTF: phillips pan head thread forming

PRH: phillips round head

PTH: phillips truss head

PTO: power-take-off

RH: right hand

ROPS: roll-over protection system

RRB: rear roller brush

SFH: slotted fillister head

SHH: slotted hex head

SHWH: slotted hex washer head

SPH: slotted pan head

SQH: square head

SRH: slotted round head

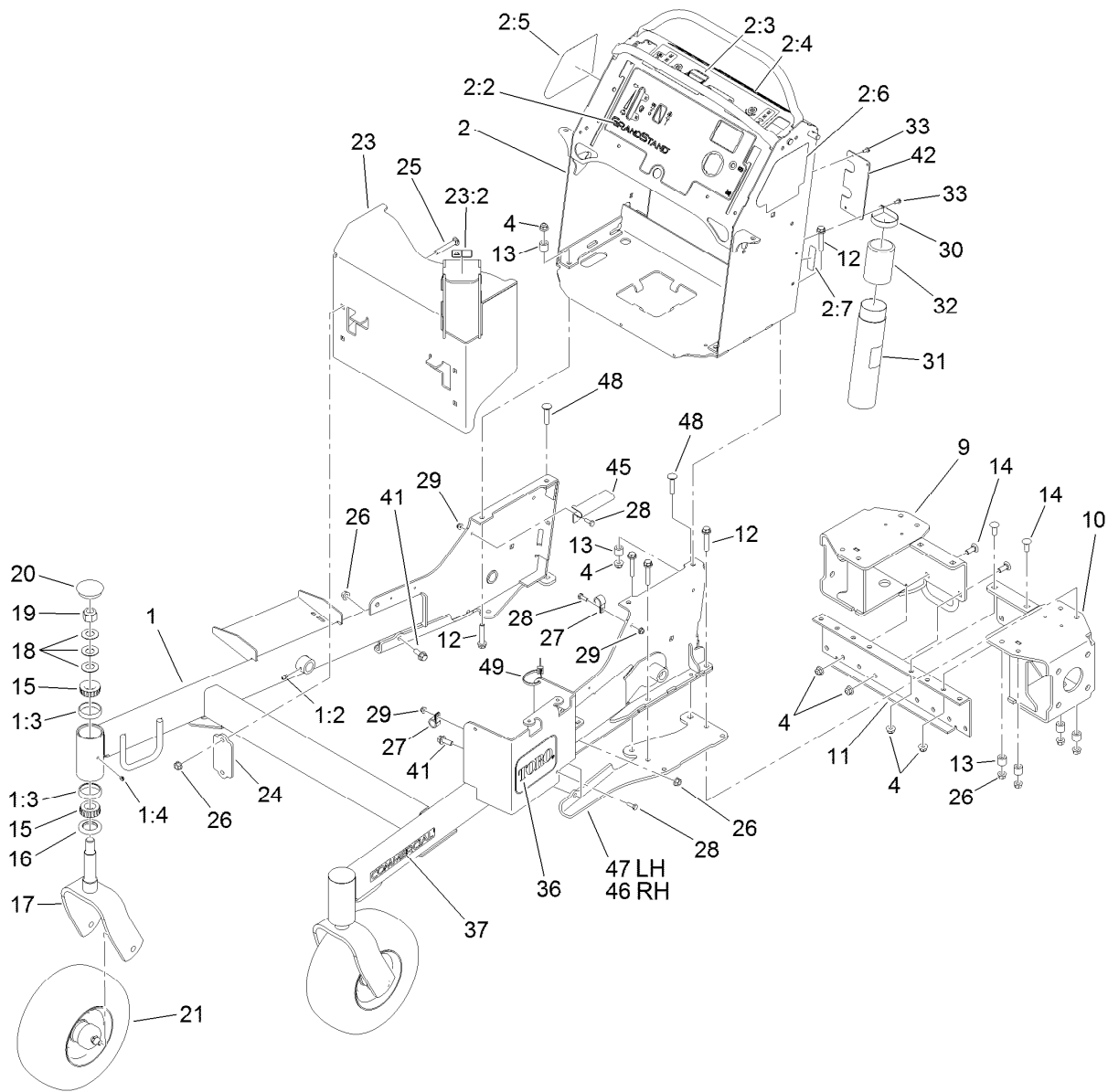
STD: standard

TAP: self tapping

TTH: torx truss head

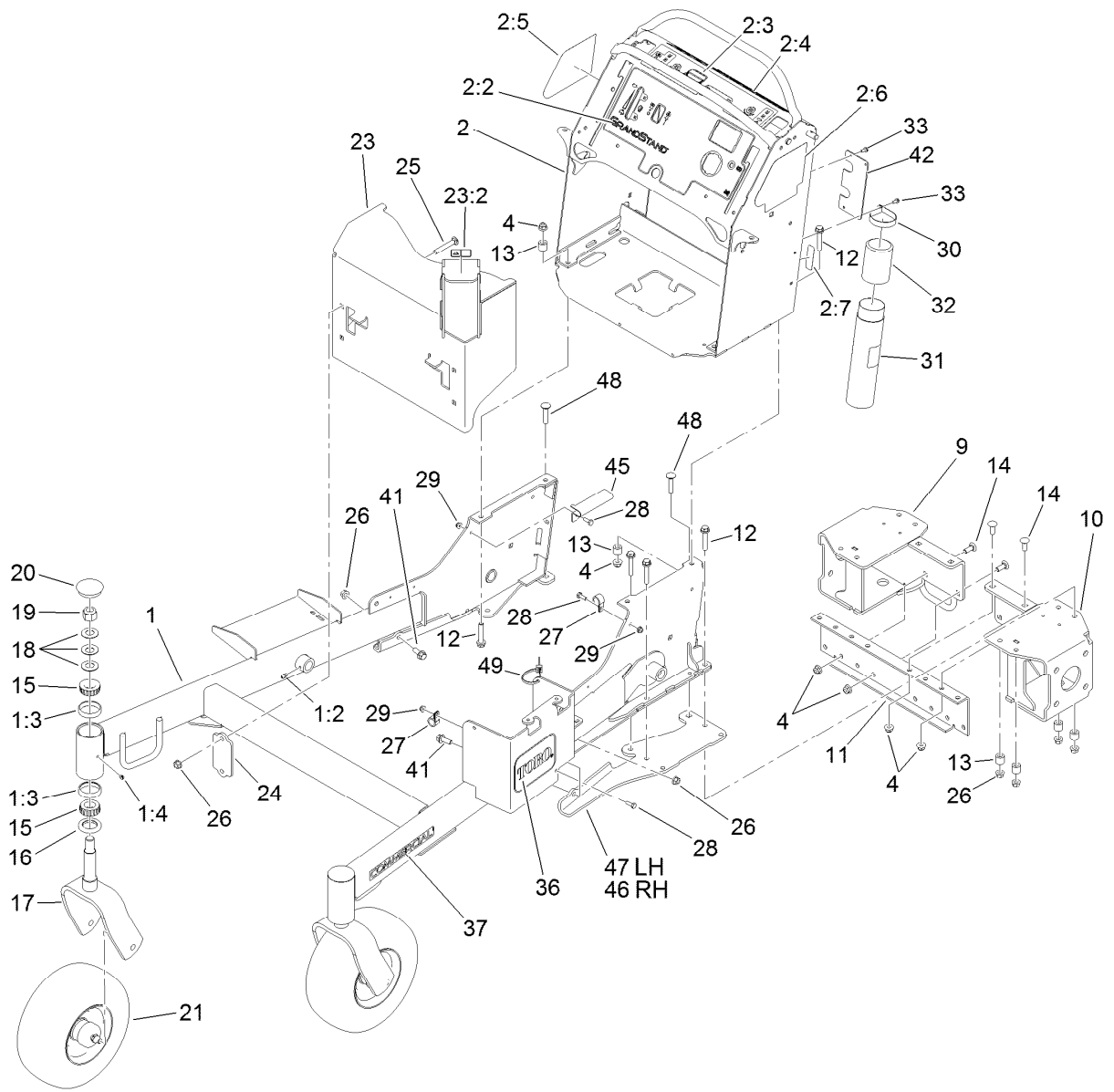
Contents

Frame Assembly.....	4
Wheel and Bearing Assembly No. 112-3810.....	6
Parking Brake Assembly.....	7
Decklift Assembly.....	8
Platform Assembly.....	10
Cushion Assembly No. 119-8742.....	11
Platform Assembly No. 117-9640.....	12
Ground Drive Assembly.....	13
Hydraulic Motor Assembly No. 114-0549.....	15
Hydraulic Pump Assembly No. 119-7375.....	16
Pump Idler Assembly.....	17
Control Assembly.....	18
Engine Assembly.....	19
Fuel Tank Assembly.....	20
Vent Hose Assembly.....	21
Electrical Assembly.....	22
Deck Assembly.....	24
Deck Decal Assembly No. 120-6401.....	25
Idler Arm Assembly No. 120-6410.....	26
Idler Adjust Assembly No. 117-0446.....	27
Spindle Assembly No. 119-8560.....	28
Deflector Assembly No. 114-1910.....	29
Attachments and Accessories.....	30



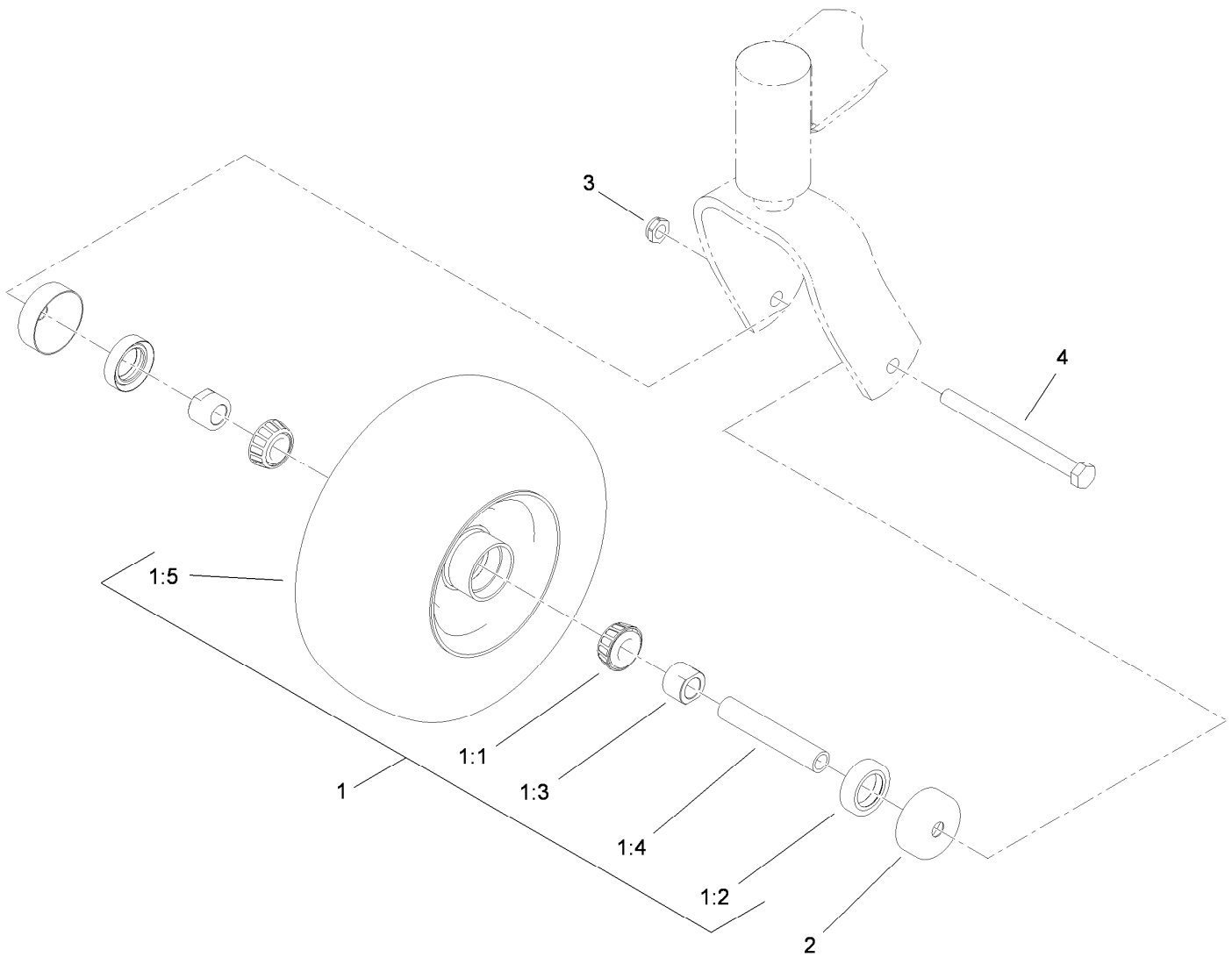
Frame Assembly

Ref.	Part Number	Qty.	Description	Ref.	Part Number	Qty.	Description
1	117-9690	1	Front Frame ASM	18	1-633508	6	Washer-Bellville
1:2	302-5	4	Fitting-Grease	19	3296-51	2	Nut-Lock, NI
1:3	1-543508	4	Cup-Bearing	20	103-4882	2	Cap-Grease
1:4	1-811010	2	Plug	21	112-3810	2	Wheel/Tire And Bearing ASM
2	119-8725	1	Control Tower ASM	23	119-0230	1	Muffler Guard ASM
2:2	119-8728	1	Decal-Control Panel	23:2	106-5517	1	Decal-Warning, Hot Surface
2:3	119-8727	1	Decal-Opc	24	119-7303-01	2	Bracket-Mounting, Guard
2:4	117-3626	1	Decal-Warning	25	3231-31	4	Screw-CARR
2:5	117-0456	1	Decal-HOC	26	32128-21	14	Nut-HF
2:6	119-7382	1	Decal-Service Aid	27	2412-87	2	Clamp-Cable
2:7	116-3267	1	Decal-Fuse	28	321-4	3	Screw-HH
4	104-8301	12	Nut-Flange, NI	29	104-7201	3	Nut-HF
9	119-7222-01	1	RH Motor Mount ASM	30	2412-120	2	R-Clamp
10	119-7220-01	1	LH Motor Mount ASM	31	104-7050	1	Tube-Manual
11	119-7224-01	1	Mount-Motor, Center	32	104-7048	1	Cap-Housing
12	108-3742	10	Screw-HHF	33	32144-1	4	Screw-Taptite
13	98-8895	12	Spacer	36	68-3640	1	Decal
14	3231-22	8	Screw-CARR	37	117-3591	2	Decal-Commercial
15	1-543509	4	Bearing-Roller, Tapered	41	3234-42	2	Screw-HHF
16	1-543511	2	Seal-Grease	42	119-8736-01	1	Plate-Manual
17	103-8618-01	2	Fork-Caster				



Frame Assembly (continued)

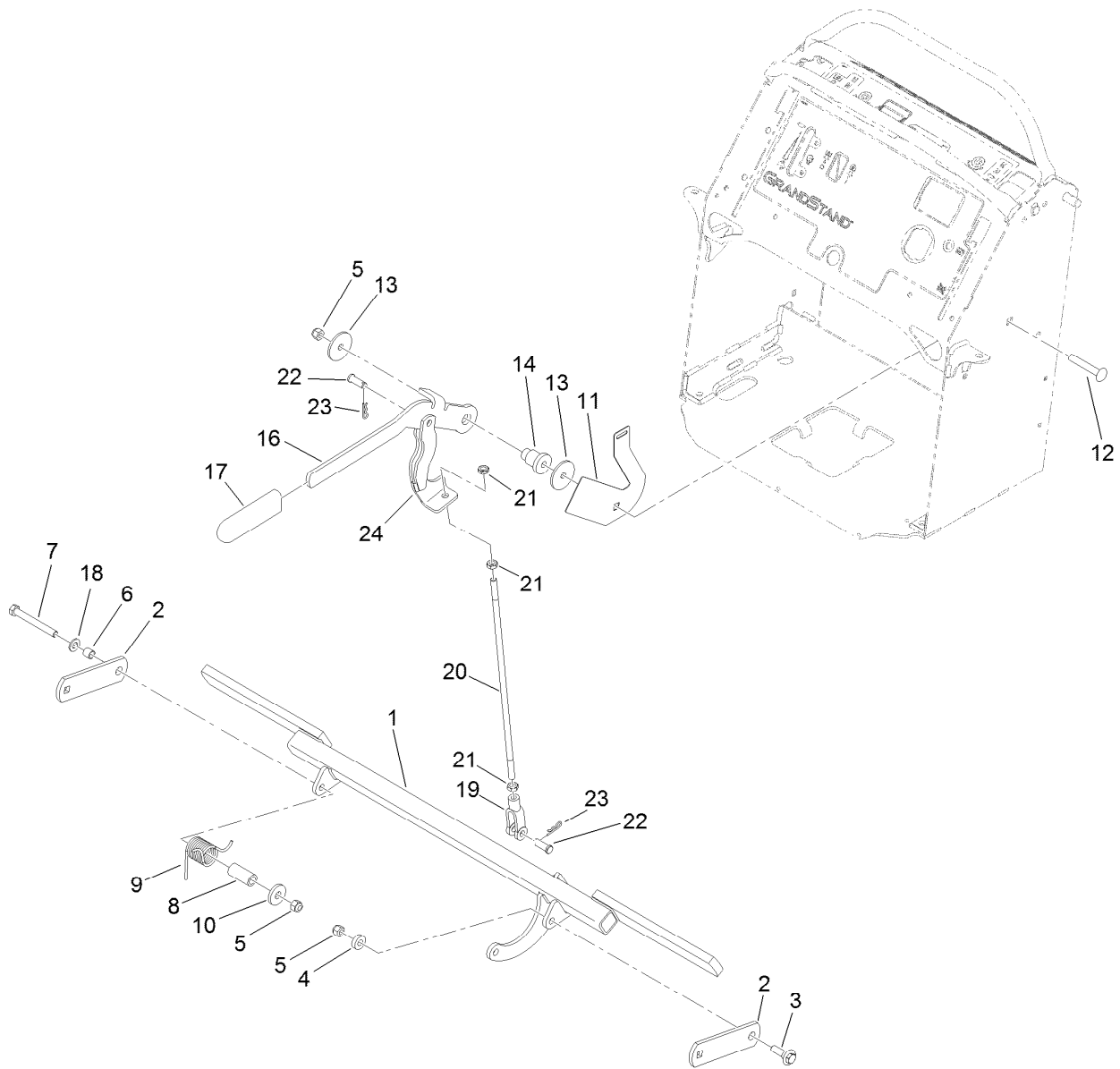
<i>Ref.</i>	<i>Part Number</i>	<i>Qty.</i>	<i>Description</i>	<i>Ref.</i>	<i>Part Number</i>	<i>Qty.</i>	<i>Description</i>
45	116-5067	1	Bracket-Hose, Fuel (Double)	47	120-6454-01	1	Plate-Shim, LH
46	120-6453-01	1	Plate-Shim, RH	48	3231-5	2	Screw-CARR
				49	3290-378	1	Tie-Cable



Wheel and Bearing Assembly No. 112-3810

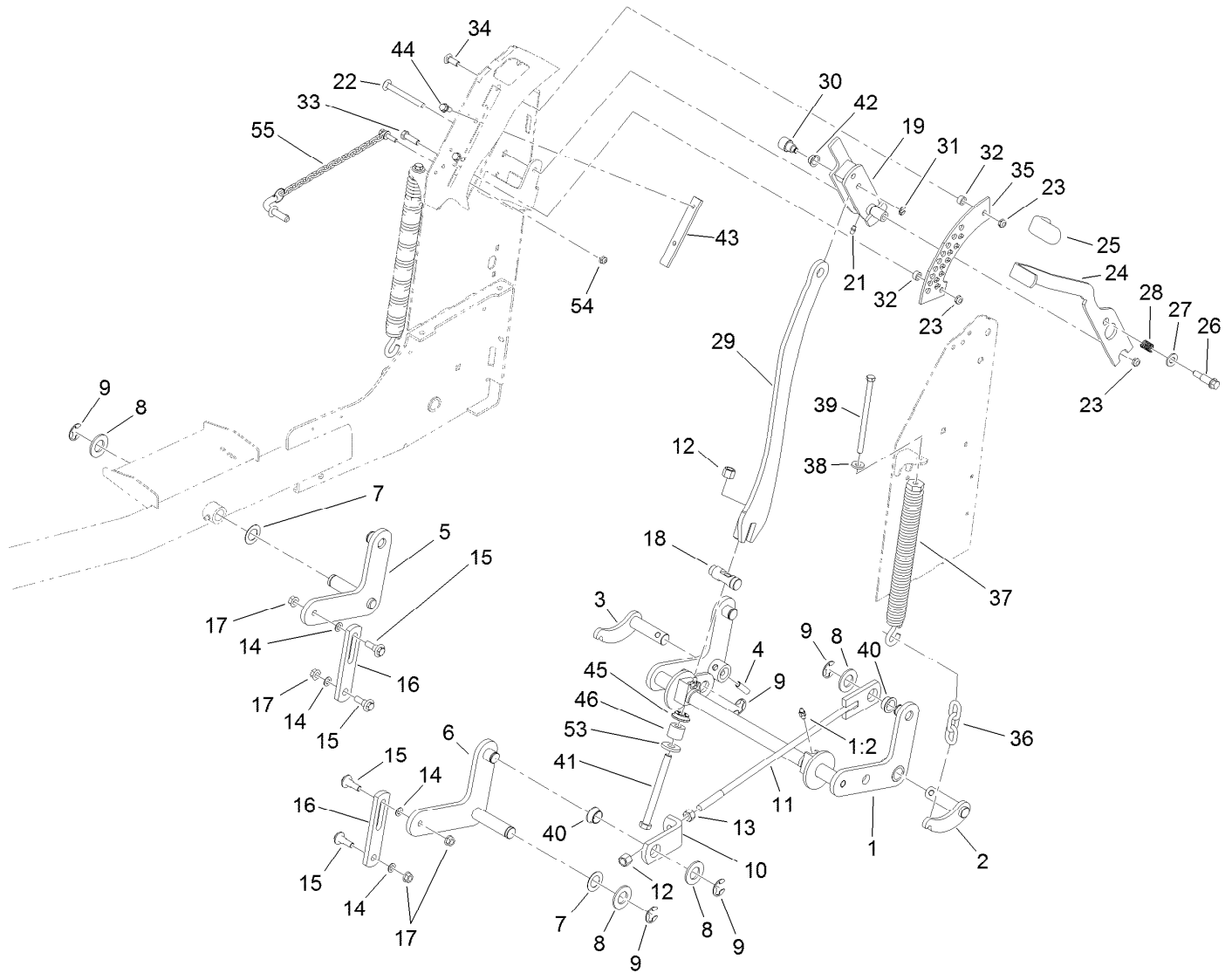
Ref.	Part Number	Qty.	Description
1		1	Wheel And Bearing ASM ●
1:1	1-633585	2	Bearing-Cone, Taper
1:2	103-0063	2	Seal-Caster
1:3	103-3051	2	Spacer-Nut
1:4	103-3157	1	Axle-Caster
1:5	110-9965	1	Wheel And Tire ASM
2	103-2768	2	Guard-Seal
3	3296-45	1	Nut-Lock, NI
4	325-20	1	Screw-HH

● Not serviced separately



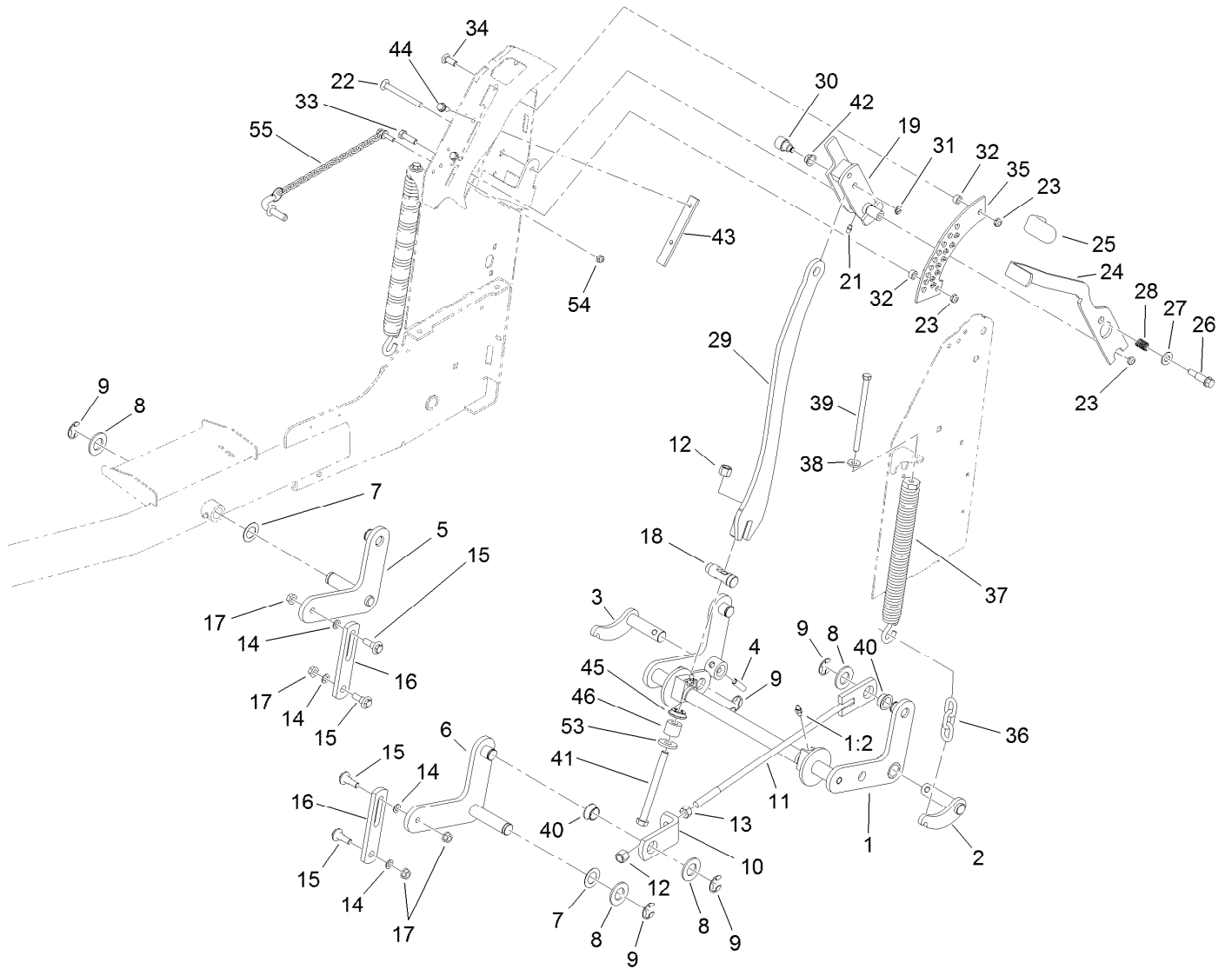
Parking Brake Assembly

Ref.	Part Number	Qty.	Description	Ref.	Part Number	Qty.	Description
1	119-8730-03	1	Brake Bar ASM	13	63-7400	2	Washer-Rebound
2	114-5186-01	2	Support-Brake	14	106-3214	1	Mount-Pulley
3	614672	1	Bolt-Shoulder	16	117-5759-03	1	Lever-Brake
4	5-0652	1	Spacer	17	1-633268	1	Grip-Lever
5	3296-39	3	Nut-Lock, NI	18	3256-24	1	Washer-Flat
6	117-9684	1	Spacer	19	1-633131	1	Yoke-Linkage, Brake
7	323-20	1	Screw-HH	20	119-7244	1	Rod-Brake
8	117-9683	1	Spacer	21	3220-3	3	Nut-HJ
9	117-9682	1	Spring-Torsion	22	283-2	2	Pin-Clevis
10	1-373034	1	Washer	23	3290-307	2	Pin-Hair
11	117-0452-03	1	Plate-Switch, Brake	24	119-8780-03	1	Brake Arm ASM
12	3231-44	1	Screw-CARR				



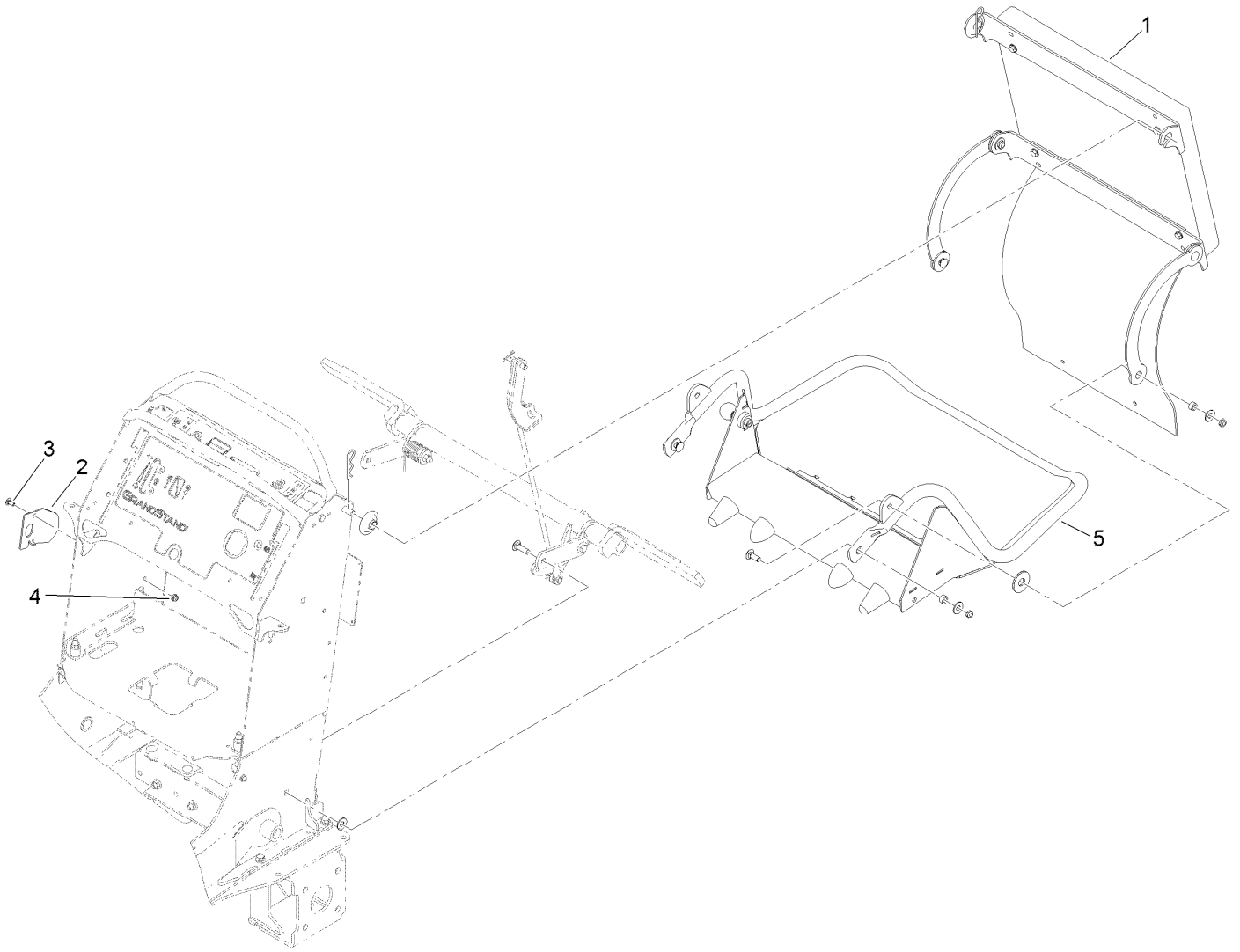
Decklift Assembly

Ref.	Part Number	Qty.	Description	Ref.	Part Number	Qty.	Description
1	116-3103	1	Rear Crossshaft ASM	22	3231-24	1	Screw-CARR
1:2	302-11	2	Fitting-Lube, 45 DEG	23	3296-59	3	Nut-Lock, NI
2	116-3104-01	1	LH Pivot Shaft ASM	24	114-1878-03	1	Lever-HOC
3	116-3105-01	1	RH Pivot Shaft ASM	25	1-633268	1	Grip-Lever
4	116-3107	2	Pin-Spiral	26	66-0561	1	Screw-Shoulder
5	117-0489-01	1	RH Lift ASM	27	3256-26	1	Washer-Flat
6	117-0488-01	1	LH Lift ASM	28	65-9940	1	Spring
7	110-6767	2	Washer-Thrust	29	116-2939	1	Bar-Lift
8	3256-29	6	Washer-Flat	30	116-3048	1	Hub-Pivot
9	32151-103	7	Ring-Retaining, EXT	31	32151-47	1	Ring-Retaining
10	116-2901	2	Bracket-Lift Rod	32	111044	2	Spacer
11	116-2902	2	Lift Rod ASM	33	323-7	1	Screw-HH
12	3296-23	3	Nut-Lock, NI	34	3231-22	1	Screw-CARR
13	3217-9	2	Nut-HH	35	114-5307	1	Bracket-HOC
14	40-1940	4	Washer	36	103-9859	2	Chain-Decklift, Front
15	109-9840	4	Screw-Shoulder, HHF	37	116-0886	2	Extension Spring ASM
16	117-0519	2	Link-Lift	38	98-5975	2	Washer-Belleville
17	32128-21	4	Nut-HF	39	323-58	2	Bolt-TAP, HH
18	114-5274	1	Pin-HOC	40	116-2909	4	Bearing-Flange
19	114-3512	1	HOC Handle ASM	41	325-22	1	Screw-HH
21	302-5	1	Fitting-Grease	42	116-3047	1	Bearing-Flange



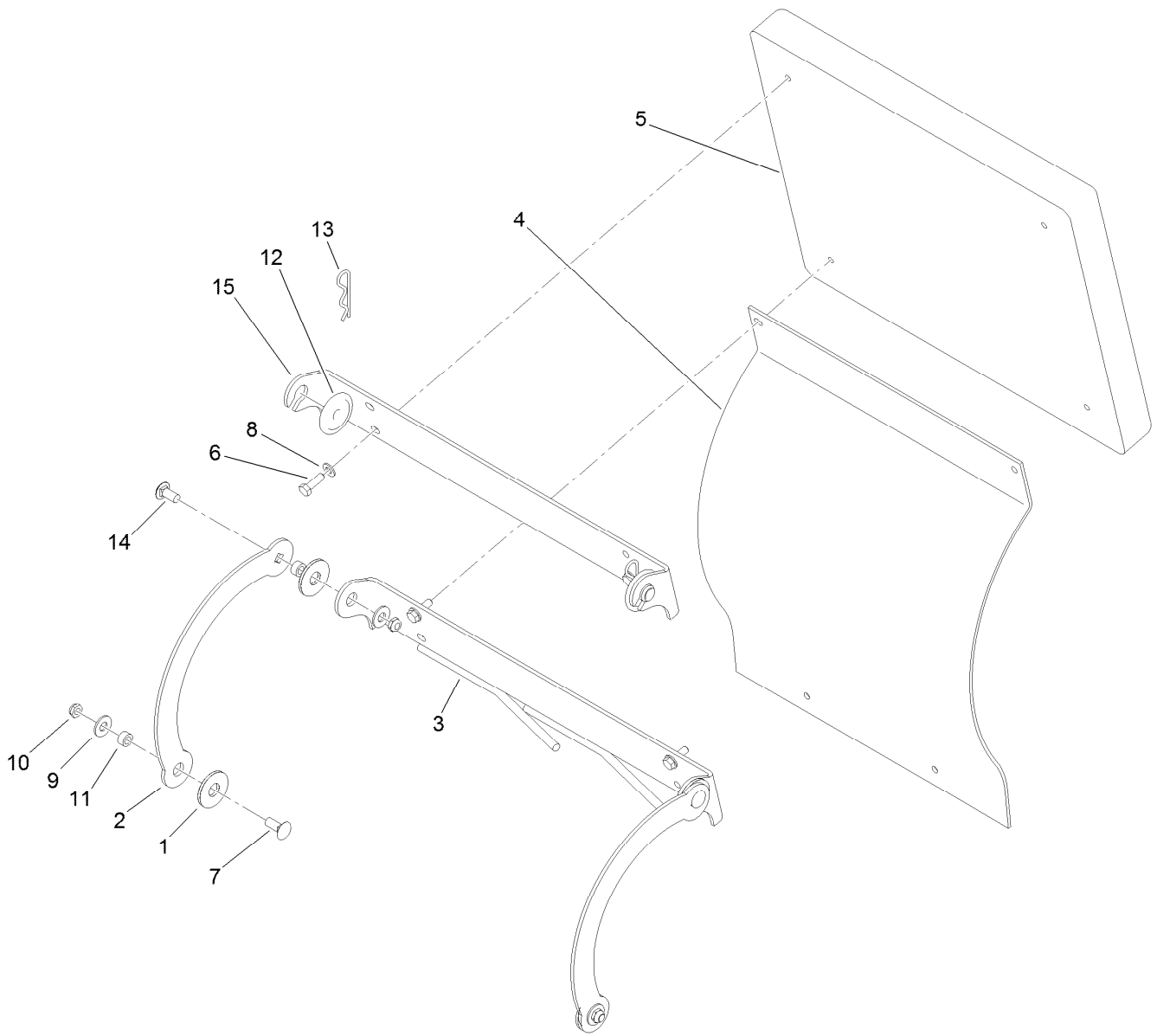
Decklift Assembly (continued)

<i>Ref.</i>	<i>Part Number</i>	<i>Qty.</i>	<i>Description</i>	<i>Ref.</i>	<i>Part Number</i>	<i>Qty.</i>	<i>Description</i>
43	116-3124	1	Skid-Handle, Lift	53	92-2651	1	Washer
44	32144-11	2	Screw-HWHTF	54	104-7201	1	Nut-HF
45	116-3625	1	Seat-Spring	55	114-0409	1	HOC Pin ASM
46	116-3241	1	Spring-Urethane				



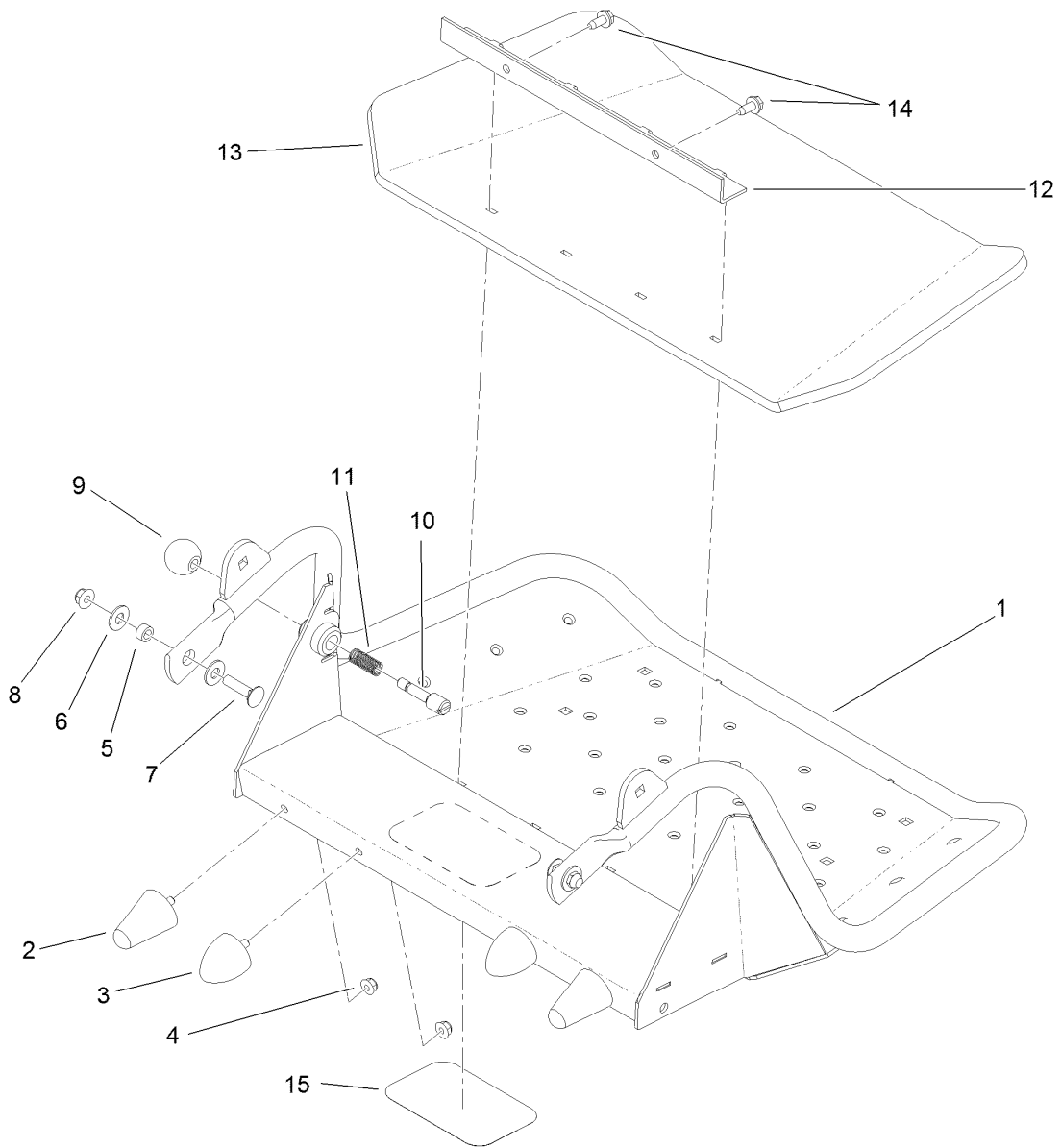
Platform Assembly

<i>Ref.</i>	<i>Part Number</i>	<i>Qty.</i>	<i>Description</i>
1	119-8742	1	Cushion ASM
2	119-7312	1	Plate-Striker
3	3229-11	1	Screw-CARR
4	104-7201	1	Nut-HF
5	117-9640	1	Platform ASM



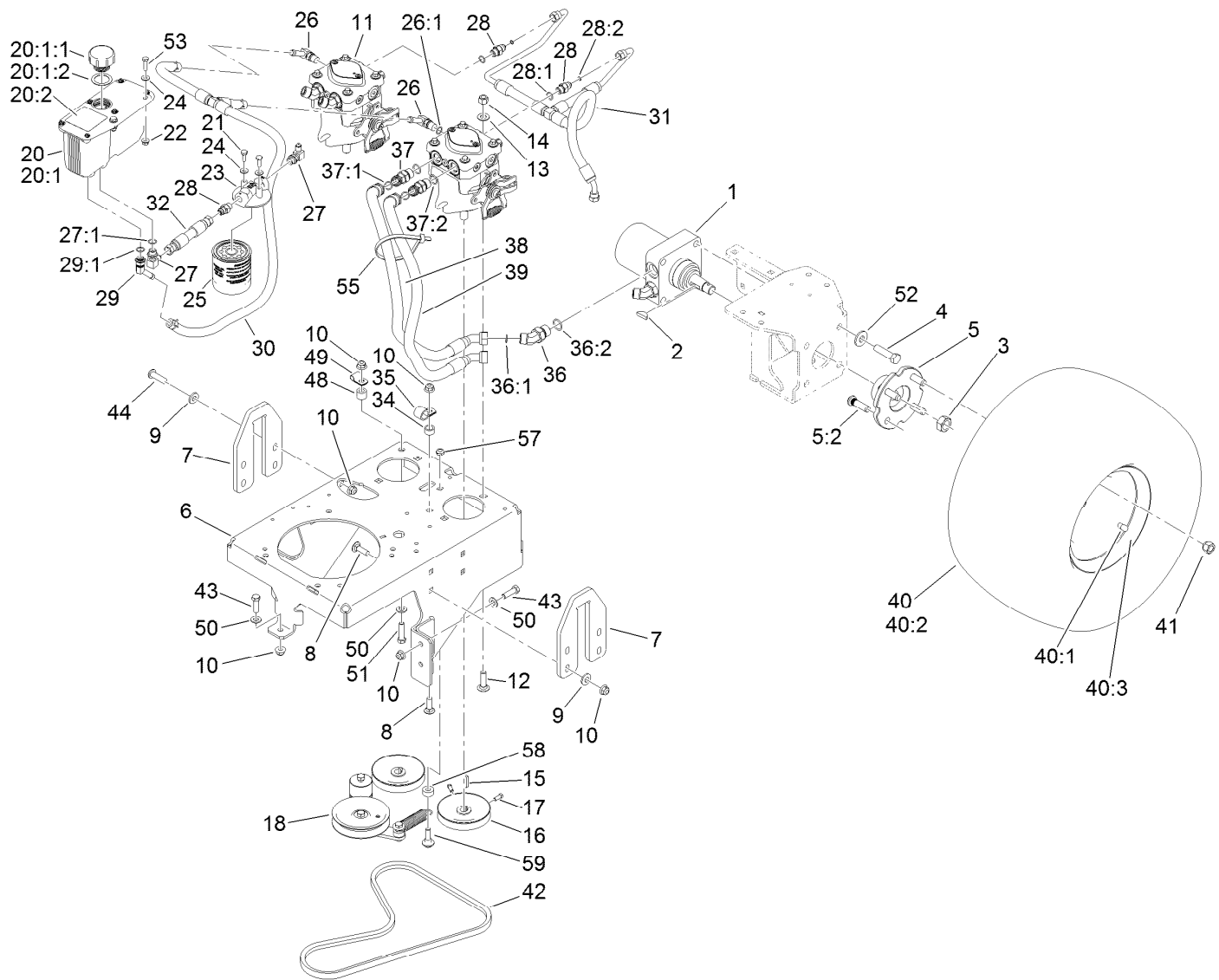
Cushion Assembly No. 119-8742

Ref.	Part Number	Qty.	Description
1	114-0463	4	Washer-Friction, Composite
2	114-1915-01	2	Link-Pad
3	119-7369-03	1	Lower Hinge ASM
4	114-1919	1	Shield-Rear
5	117-9739	1	Pad-Cushion
6	116-0648	4	Screw-HH, Thread Locking
7	3231-2	2	Screw-CARR
8	3256-23	4	Washer-Flat
9	3256-4	4	Washer-Flat
10	3296-59	4	Nut-Lock, NI
11	111044	4	Spacer
12	116-2886	2	Slide-Bushing
13	3290-355	2	Pin-Hair
14	3231-27	2	Screw-CARR
15	116-2757-03	1	Hinge-Pad



Platform Assembly No. 117-9640

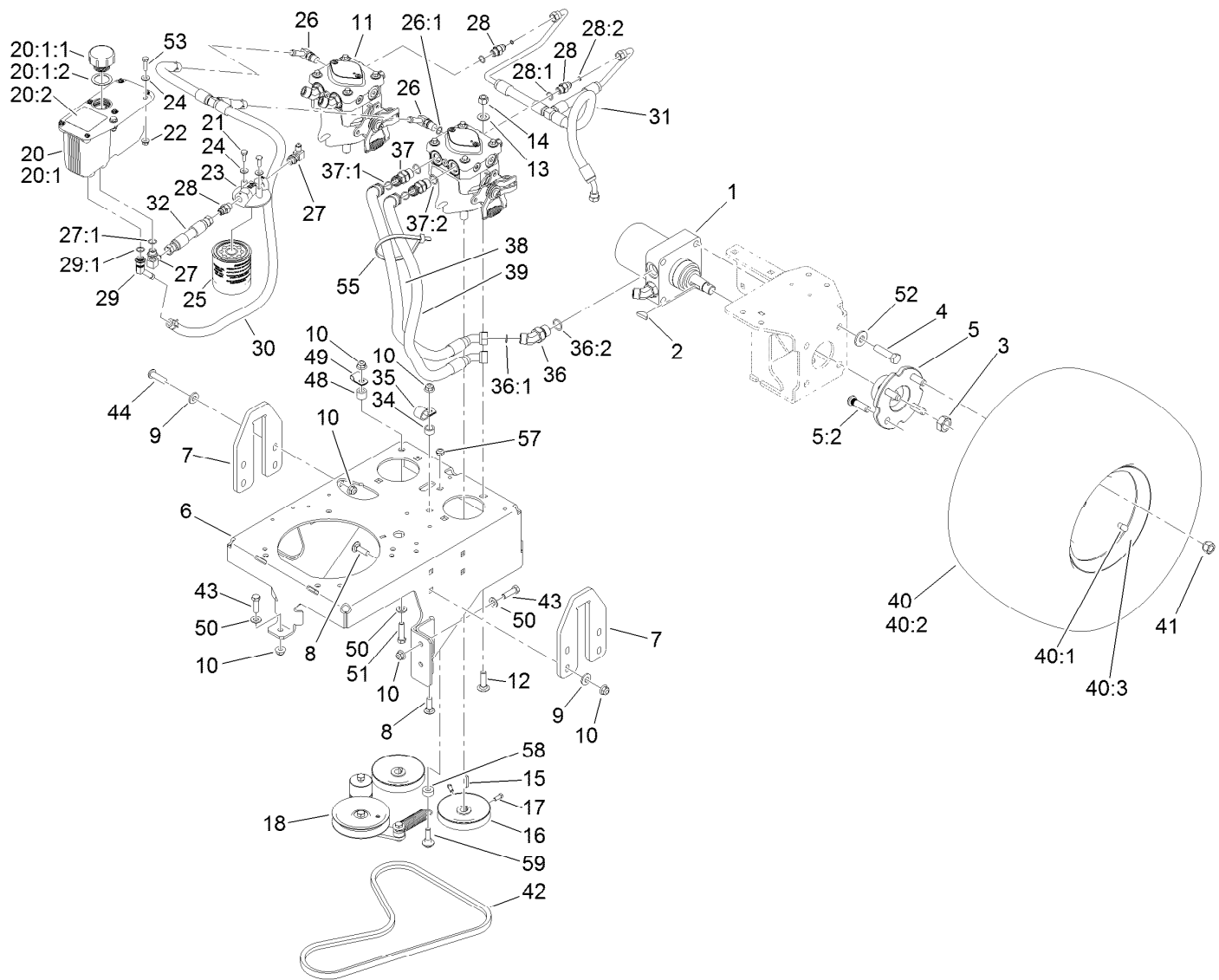
<i>Ref.</i>	<i>Part Number</i>	<i>Qty.</i>	<i>Description</i>
1	117-9641-01	1	Platform ASM
2	114-1925	2	Bumper-Rubber
3	114-1926	2	Bumper-Rubber
4	104-8300	4	Nut-Flange, NI
5	111044	2	Spacer
6	3256-4	4	Washer-Flat
7	3231-4	2	Screw-CARR
8	104-8301	2	Nut-Flange, NI
9	1-603175	1	Knob-Ball
10	119-8650	1	Pin-Latch
11	114-5348	1	Spring
12	114-1920-03	1	Clamp-Shield
13	114-5349	1	Mat-Foot
14	32144-70	2	Screw-HWHTF
15	68-3640	1	Decal



Ground Drive Assembly

Ref.	Part Number	Qty.	Description	Ref.	Part Number	Qty.	Description
1	114-0549	2	HYD Motor ASM	20	107-8433	1	HYD Reservoir ASM
2	3257-8	2	Key-Woodruff	20:1		1	Reservoir-HYD ●
3	85-7310	2	Nut-Motor, Wheel	20:1:1	103-1948	1	Cap-Reservoir, HYD
4	325-8	8	Screw-HH	20:1:2	103-1949	1	Gasket-Cap
5	105-0800	2	Wheel Hub ASM	20:2	115-4212	1	Decal-Warning
5:2	10-6830	4	Stud-Type, Drive	21	321-4	2	Screw-HH
6	119-8710-01	1	Base-Engine	22	32128-32	2	Nut-HHF
7	119-8662	2	Plate-Lift	23	104-7836	1	Head-Filter
8	3231-25	8	Screw-CARR	24	3256-22	4	Washer-Flat
9	98-5975	8	Washer-Belleville	25	114-3494	1	Element-Filter, 25 Micron
10	104-8301	15	Nut-Flange, NI	26	100-4887	2	Fitting-Barbed, 90 DEG
11	119-7375	2	Hydraulic Pump ASM	26:1	237-42	1	O-Ring
12	3232-3	4	Screw-CARR	27	103-1802	2	Fitting-HYD, 90 DEG
13	3256-25	4	Washer-Flat	27:1	1-603921	1	O-Ring
14	3296-48	4	Nut-Lock, NI	28	103-2156	3	Fitting-Straight
15	1-807272	2	Key	28:1	1-603921	1	O-Ring
16	105-5648	2	Pulley-Pump	28:2	103-1020	1	O-Ring
17	3241-5	4	Screw-Set	29	103-1807	1	Fitting-Barbed, 45 DEG
18		1	Pump Idler ASM ●	29:1	237-42	1	O-Ring

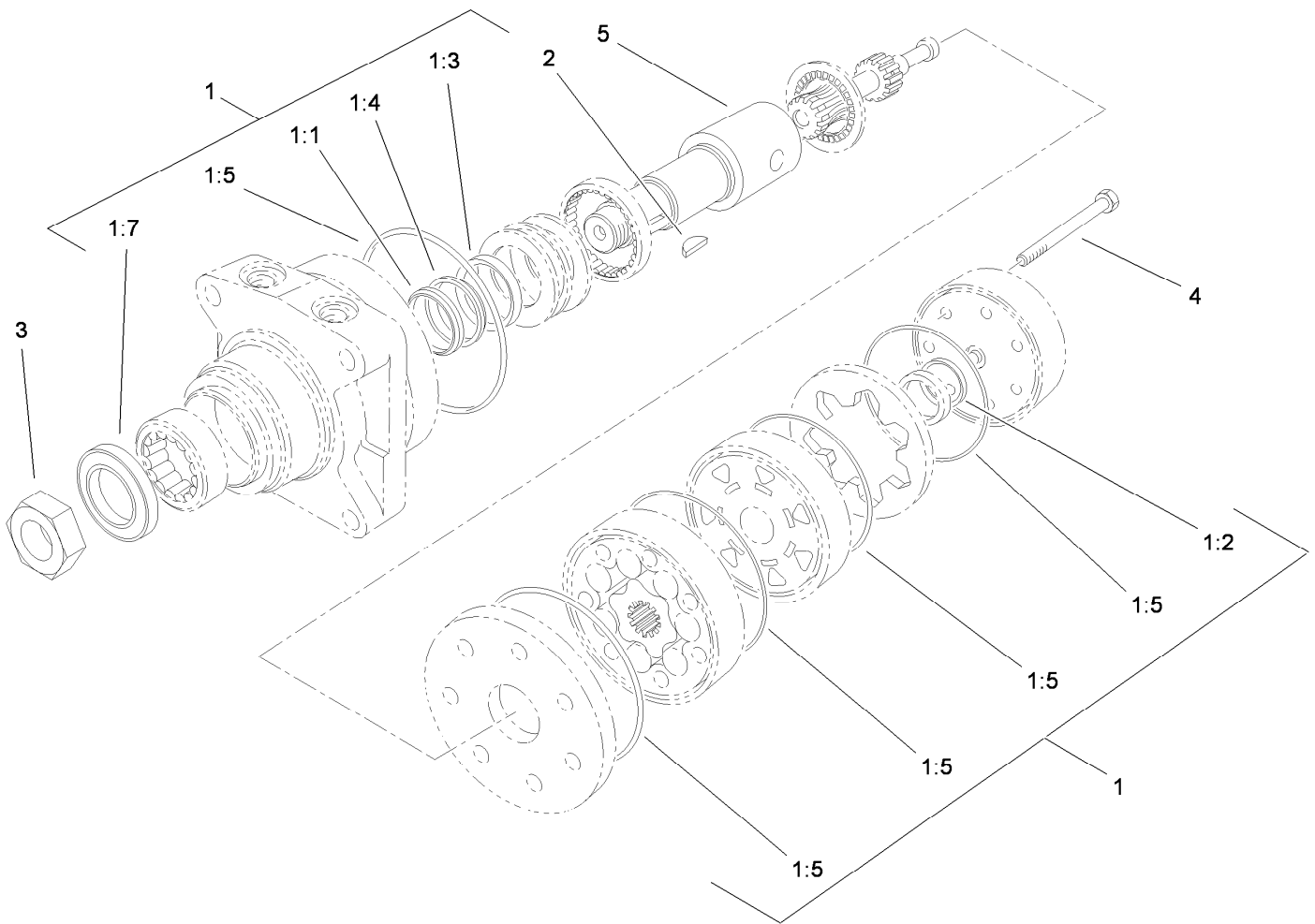
● Not serviced separately



Ground Drive Assembly (continued)

Ref.	Part Number	Qty.	Description	Ref.	Part Number	Qty.	Description
30	116-2579	1	Tank Hose ASM	40:3	106-8133	1	Rim-8 Inch
31	119-8732	1	Charge Hose ASM	41	242-50	8	Nut-Lug
32	116-2604	1	HYD Hose ASM	42	114567	1	Belt-V, Lower PTO
34	1-653069	1	Spacer-Wheel	43	323-7	5	Screw-HH
35	1-633396	1	Clip-Loom	44	3274-63	1	Screw-HSBH
36	340-89	4	Fitting-HYD, 45 DEG	48	108326	1	Spacer-Pivot
36:1	237-30	1	O-Ring	49	116-3362	1	Clip-Tube
36:2	237-80	1	O-Ring	50	3256-24	6	Washer-Flat
37	340-101	4	Fitting-HYD, 45 DEG	51	323-8	1	Screw-HH
37:1	237-30	1	O-Ring	52	1-513435	8	Washer-Spring
37:2	237-79	1	O-Ring	53	321-6	2	Screw-HH
38	117-0442	2	HYD Hose ASM	55	103-2446	2	Tie-Plastic
39	117-0449	2	HYD Hose ASM	57	3296-59	1	Nut-Lock, NI
40	117-0429	2	Wheel ASM	58	104-8426	1	Spacer
40:1	232-27	1	Stem-Valve	59	614672	1	Bolt-Shoulder
40:2	117-0428	1	Tire				

● Not serviced separately

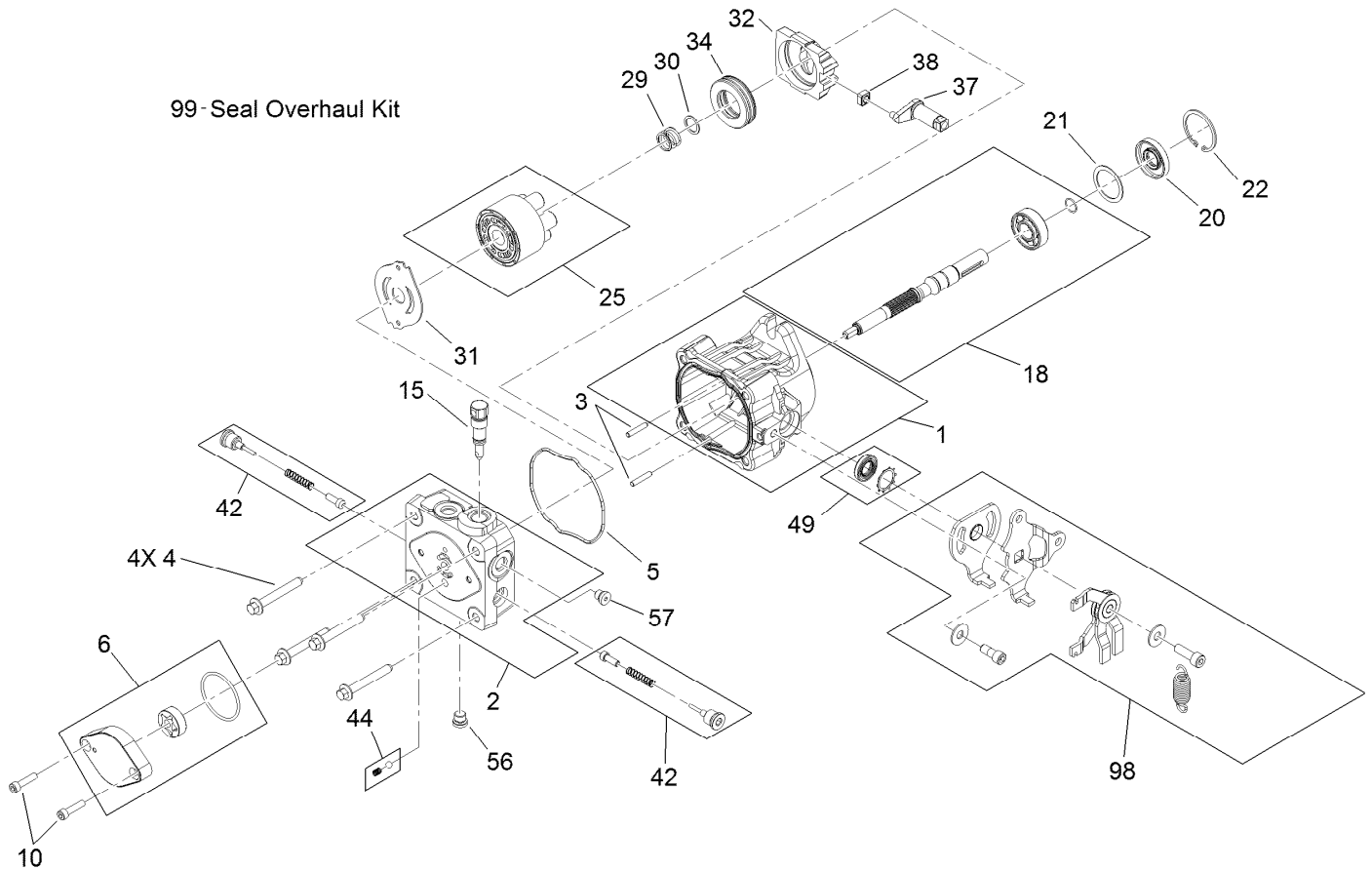


Hydraulic Motor Assembly No. 114-0549

Ref.	Part Number	Qty.	Description
1	1-000119	1	Seal Kit
1:1		1	Ring-Back Up ●
1:2		1	Seal-Commutator ●
1:3		1	Seal-Shaft (Viton) ●
1:4		1	Washer-Back Up, Steel ●
1:5		5	Ring-Seal (Viton) ●
1:7		1	Seal-Dirt And Water ●
2	3257-8	1	Key-Woodruff
3	85-7310	1	Nut-Motor, Wheel
4	106-5549	6	Bolt-Special
5	106-8764	1	Shaft-Coupling

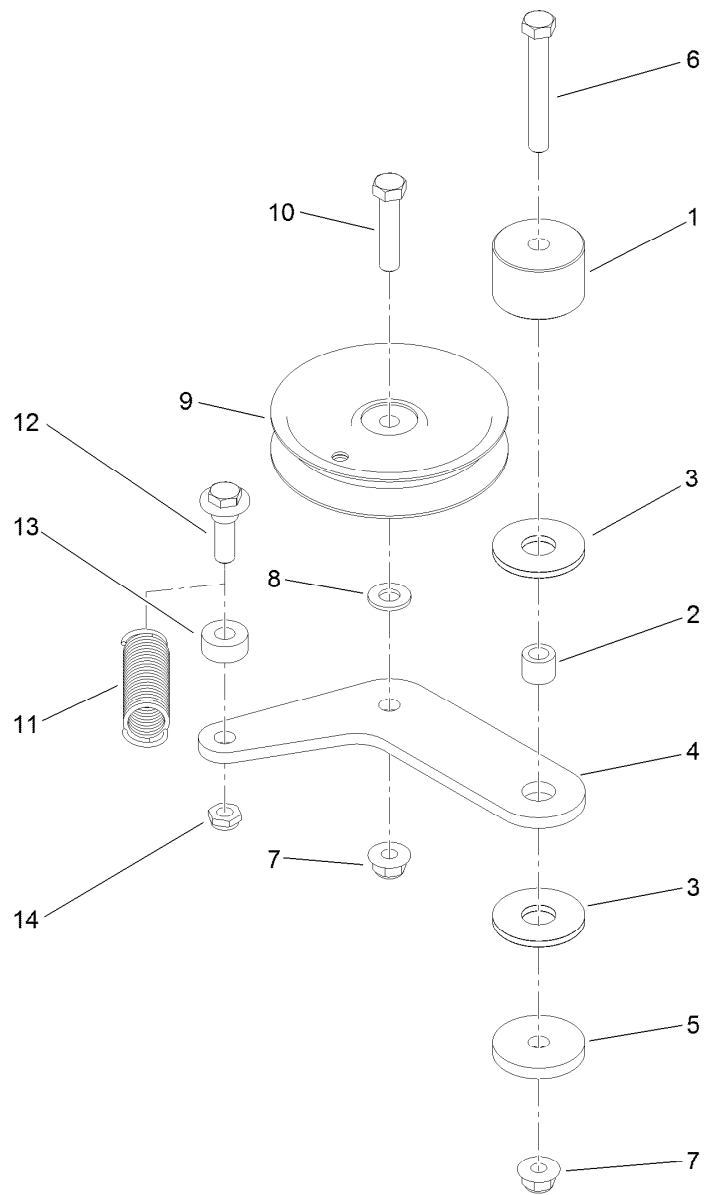
● Not serviced separately

99- Seal Overhaul Kit



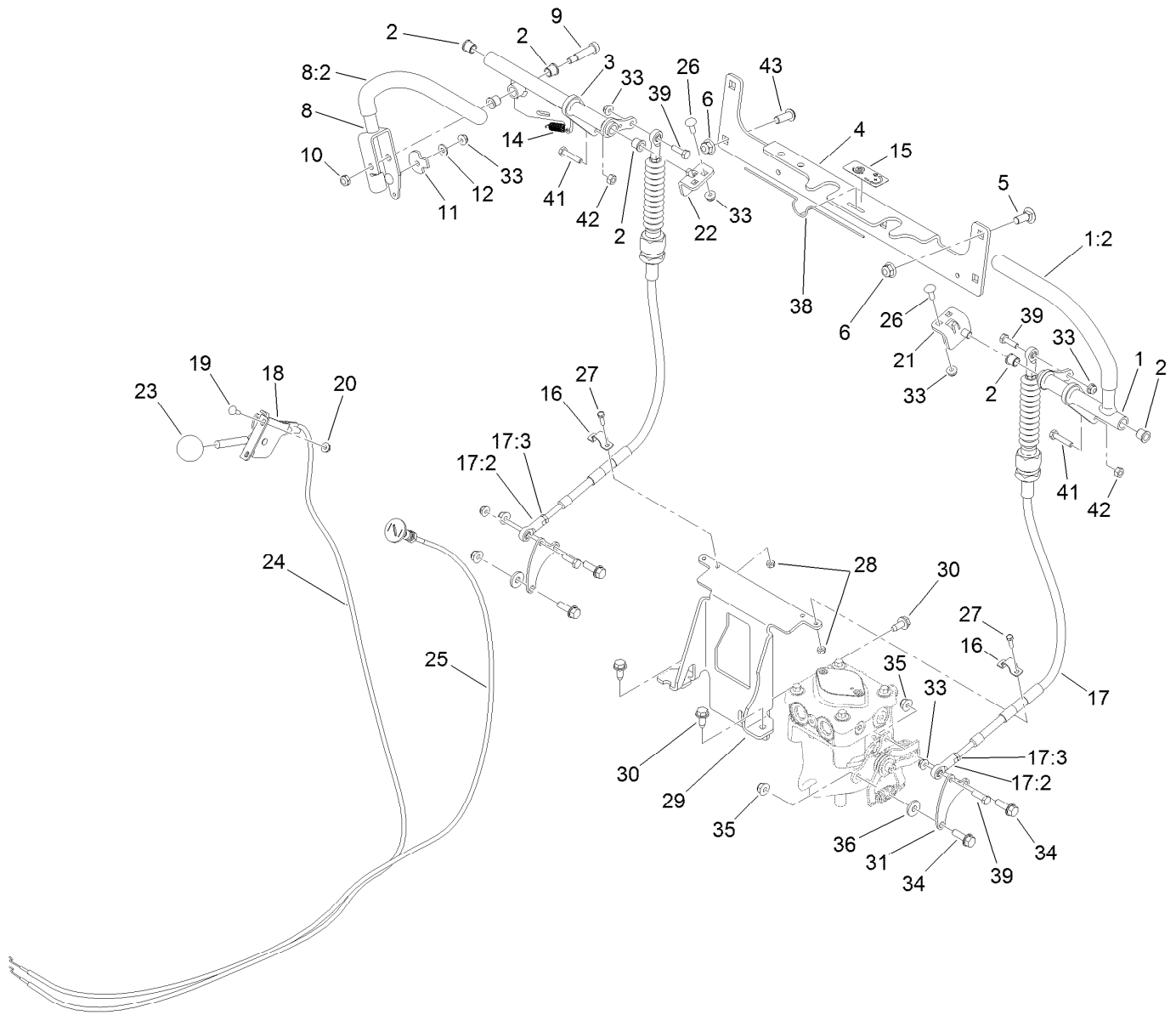
Hydraulic Pump Assembly No. 119-7375

<i>Ref.</i>	<i>Part Number</i>	<i>Qty.</i>	<i>Description</i>	<i>Ref.</i>	<i>Part Number</i>	<i>Qty.</i>	<i>Description</i>
1	115-4464	1	Housing Kit	30	94-1937	1	Washer-Thrust, Block
2	106-8752	1	End Cap Kit (W/Poppets)	31	105-6185	1	Plate-Valve
3	106-8753	2	Pin-Headless, Straight	32	94-1907	1	Swashplate-Variable
4	106-8754	4	Bolt-HF	34	94-6922	1	Bearing-Thrust
5	106-8755	1	O-Ring	37	115-4458	1	Arm-Trunnion, Tapered Square
6	106-8756	1	Charge Pump Kit	38	94-1910	1	Guide-Slot
10	104-2111	2	Capscrew	42	98-3252	2	Valve-Check (W/Poppet)
15	106-8759	1	Bypass Valve Kit	44	106-8760	1	Charge Relief Valve Kit
18	103-2664	1	Input Shaft Kit	49	106-8761	1	Trunnion Seal / Retainer Kit
20	104-5310	1	Seal-Lip	56	106-8762	1	Plug-HSH
21	104-5308	1	Spacer	57	104-2189	1	Plug-Thread, Straight
22	104-5309	1	Ring-Retaining	98	115-4046	1	Return Kit
25	103-2666	1	Cylinder Block Kit	99	105-6184	1	Seal Overhaul Kit
29	94-1936	1	Spring-Block				



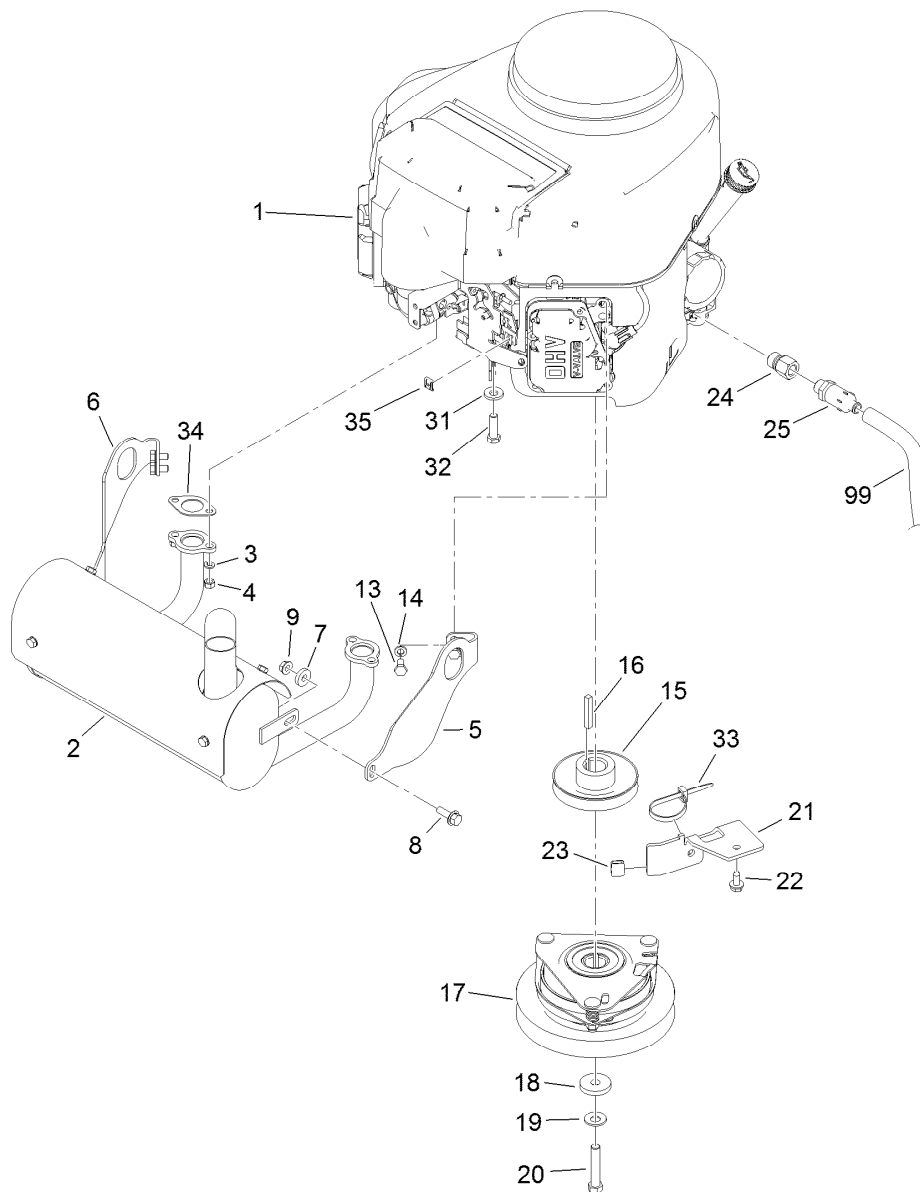
Pump Idler Assembly

<i>Ref.</i>	<i>Part Number</i>	<i>Qty.</i>	<i>Description</i>
1	117-3568	1	Hub-Idler
2	1-413088	1	Bushing-Lever, Lift
3	114-0463	2	Washer-Friction, Composite
4	119-8737	1	Plate-Idler
5	110-9981	1	Washer-Plain
6	323-13	1	Screw-HH
7	104-8301	2	Nut-Flange, NI
8	3256-24	1	Washer-Flat
9	93-1622	1	Pulley-Idler
10	323-9	1	Screw-HH
11	108-4056	1	Spring-Extension
12	614672	1	Bolt-Shoulder
13	104-8426	1	Spacer
14	3296-59	1	Nut-Lock, NI



Control Assembly

Ref.	Part Number	Qty.	Description	Ref.	Part Number	Qty.	Description
1	119-8743	1	LH Lever ASM	20	32128-17	2	Nut-Lock, Flange
1:2	119-0222	1	Grip	21	119-8690	1	LH Pivot Tab ASM
2	103-9928	6	Bearing	22	119-8718	1	RH Pivot Tab ASM
3	119-7353	1	RH Motion Control ASM	23	1-603175	1	Knob-Ball
4	119-7359-01	1	Bracket-Cross	24	119-6654	1	Cable-Throttle
5	3231-2	3	Screw-CARR	25	119-6655	1	Control-Choke, Push/Pull
6	104-8301	4	Nut-Flange, NI	26	3229-1	4	Screw-CARR
8	119-1887	1	RH Motion Lever ASM	27	3290-134	4	Screw
8:2	119-0222	1	Grip	28	3296-2	4	Nut-Lock, NI
9	114-0239	1	Screw-HSH	29	119-7356-01	1	Bracket-Clamp, Cable
10	3296-47	1	Nut-Lock, NI	30	32144-70	3	Screw-HWHTF
11	114-0268	1	Cam-Lever	31	119-7357	2	Plate-Lever, Pump
12	3256-22	1	Washer-Flat	33	104-7201	8	Nut-HF
14	114-0249	1	Spring-Extension	34	3234-29	4	Screw-HHF
15	119-1854	1	Decal-Tracking, Hydro	35	104-8300	4	Nut-Flange, NI
16	119-7370	2	Clamp	36	4-2390	2	Washer-Flat
17	119-7366	2	Cable ASM	38	114-0433	1	Clip-Spring
17:2	119-7379	2	Rod-Ball Joint	39	321-5	4	Screw-HH
17:3	3220-1	3	Nut-Jam	41	114-0282	2	Screw-HH
18	110-5547	1	Control Lever ASM	42	3217-5	2	Nut-Hex
19	1-807533	2	Bolt-CARR	43	3274-94	1	Screw-HSBH



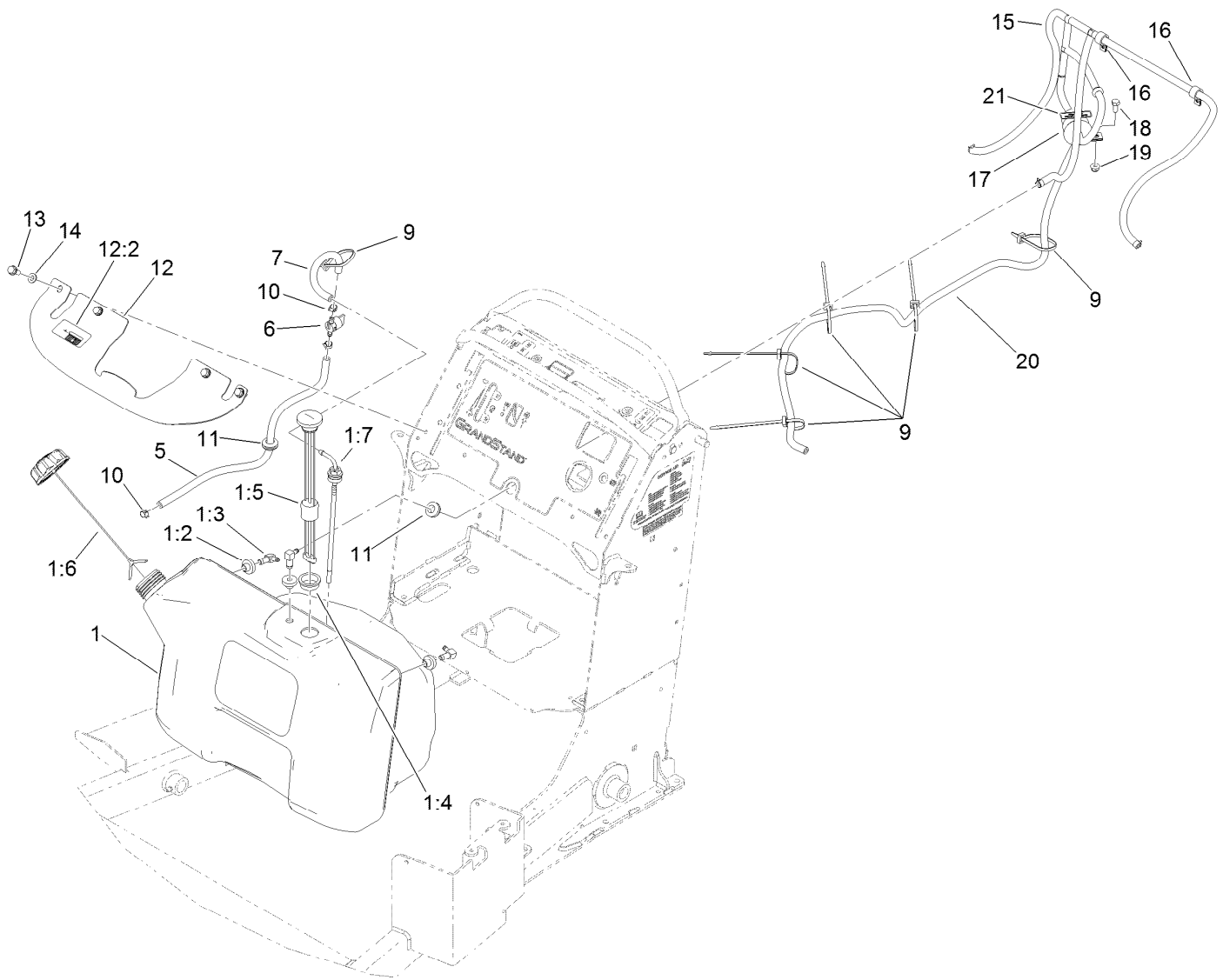
Engine Assembly

Ref.	Part Number	Qty.	Description
1		1	Engine-Kawasaki, Fs600V-Cs06 ●■
2	116-2351	1	Muffler
3	114-3550	4	Washer-Lock, Spring
4	114-3549	4	Nut
5	116-2353	1	Bracket-Muffler Mount, LH
6	116-2354	1	Bracket-Muffler Mount, RH
7	104-7658	2	Spacer
8	3234-29	2	Screw-HHF
9	32128-25	2	Nut-HF
13	33114-016	4	Screw-HH
14	3253-4	4	Washer-Lock
15	112-7067	1	Pulley
16	608006	1	Key-Square
17	105-2635	1	Clutch / Brake ASM

Ref.	Part Number	Qty.	Description
18	107-4136	1	Washer
19	1-603610	1	Washer-Spring
20	3212-9	1	Screw-HH
21	117-9708-01	1	Bracket-Stop, PTO
22	32144-70	1	Screw-HWHTF
23	109-3765	1	Bumper
24	103-1966	1	Adapter
25	92-6877	1	Valve-Drain, Oil
31	98-5975	4	Washer-Belleville
32	323-7	4	Screw-HH
33	3290-378	1	Tie-Cable
34	1-653313	2	Gasket-Exhaust
35	81-1690	1	Clamp-Cable
99	103-1964	1	Hose-Drain, Oil

● Not serviced separately

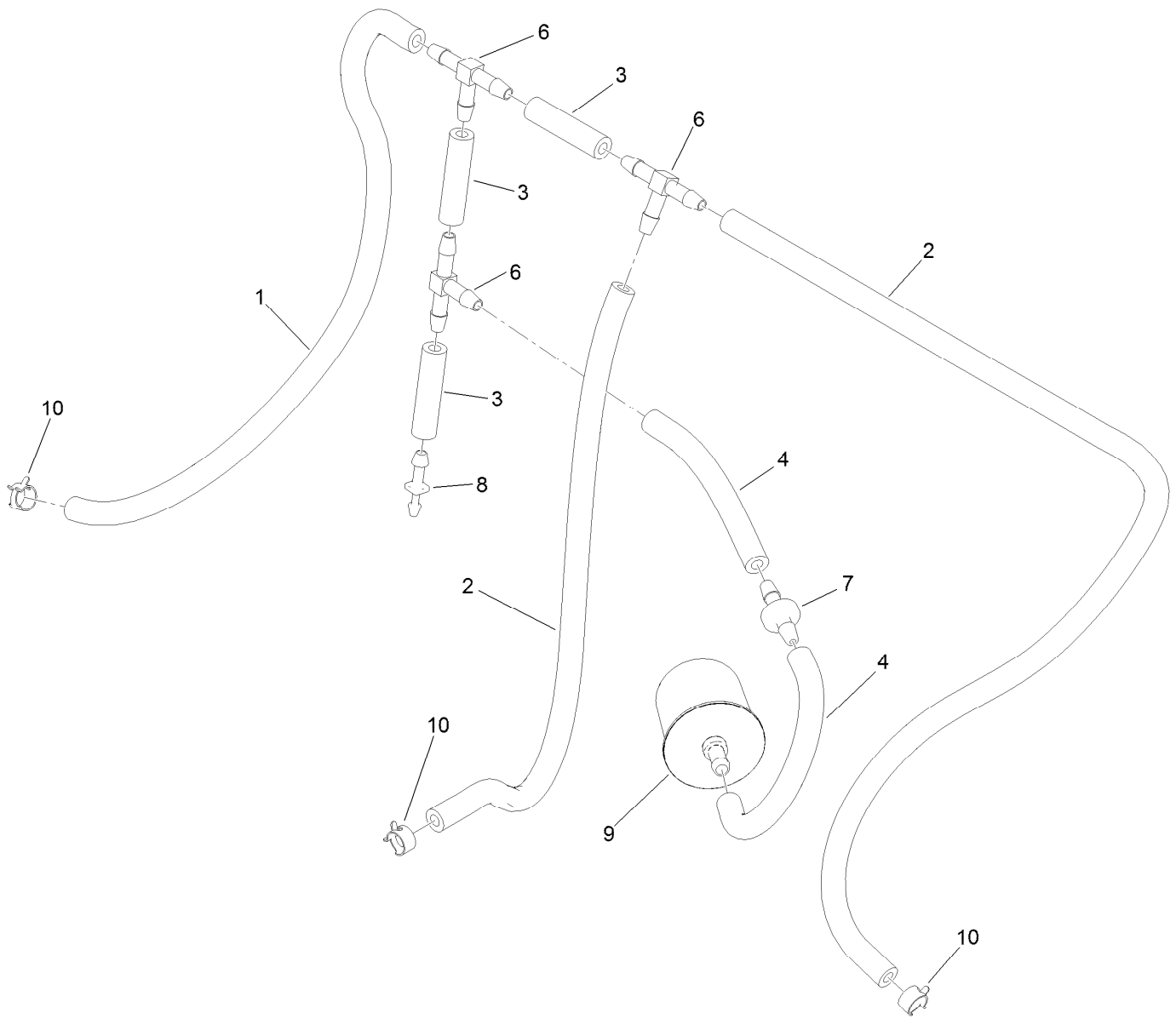
■ Obtain parts from www.kawpowerepc.com



Fuel Tank Assembly

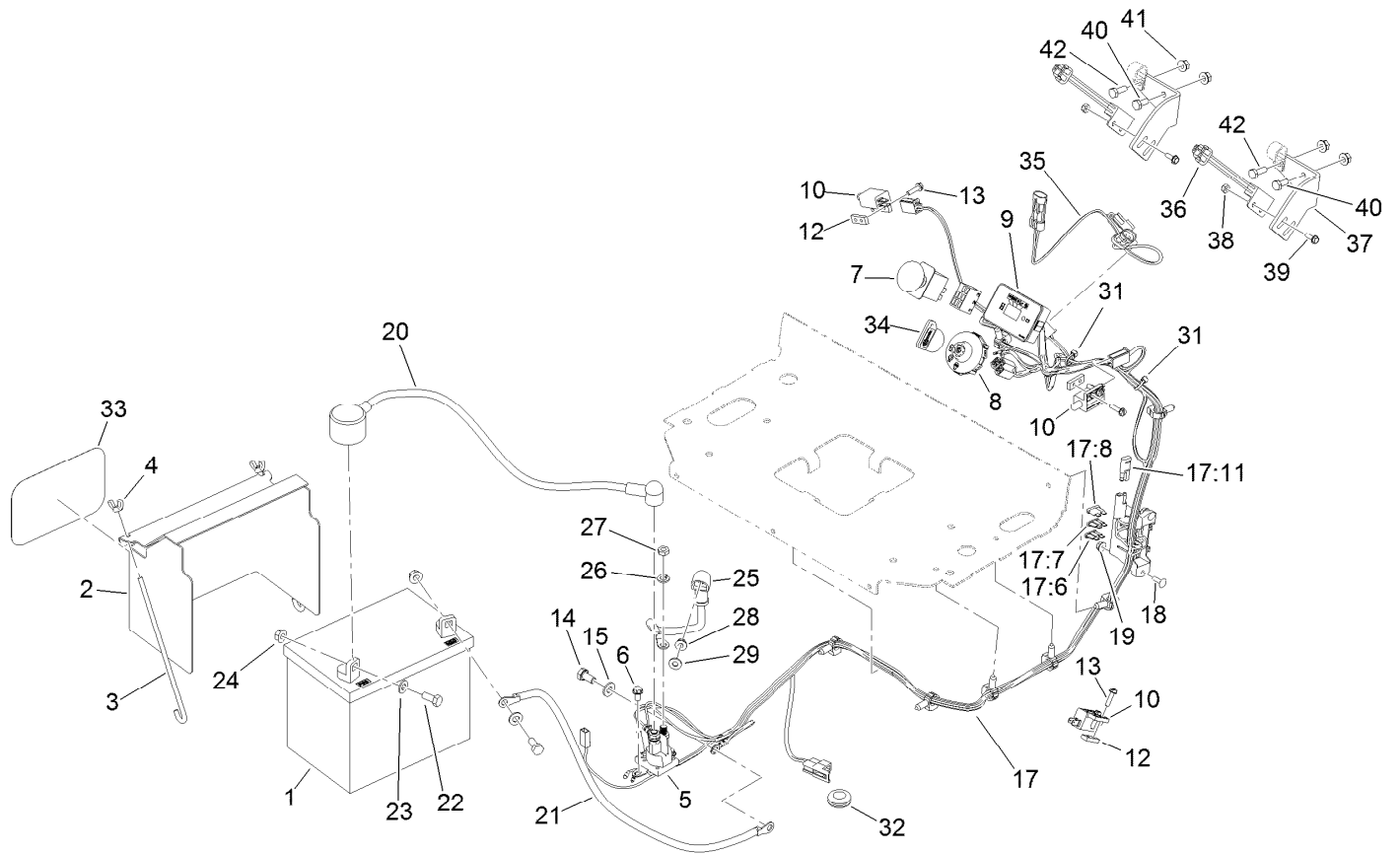
Ref.	Part Number	Qty.	Description	Ref.	Part Number	Qty.	Description
1	119-7340	1	Tank ASM	11	112-7069	2	Grommet
1:2	46-6560	3	Bushing	12	119-8740	1	Bracket-Tank
1:3	1-643172	3	Elbow-90 DEG	12:2	116-3290	1	Decal-Fill, Fuel
1:4	95-8972	1	Grommet	13	32144-11	4	Screw-HWHTF
1:5	117-9719	1	Guage-Fuel	14	3256-70	4	Washer-Flat
1:6	116-1704	1	Cap-Fuel, Ratcheting	15		1	Vent Hose ASM ●
1:7	116-3408	1	Fitting-Fuel, Bulkhead	16	2412-87	2	Clamp-Cable
5	110-5701	1	Hose-Fuel	17	2412-96	1	Clamp-R
6	1-603770	1	Valve-Fuel	18	322-3	1	Screw-HH
7	109-0297	1	Hose-Fuel	19	104-8300	1	Nut-Flange, NI
9	3290-378	6	Tie-Cable	20	119-6073	1	Hose-Fuel
10	2412-98	4	Clamp	21	116-4769	1	Decal-Filter, Emissions

● Not serviced separately



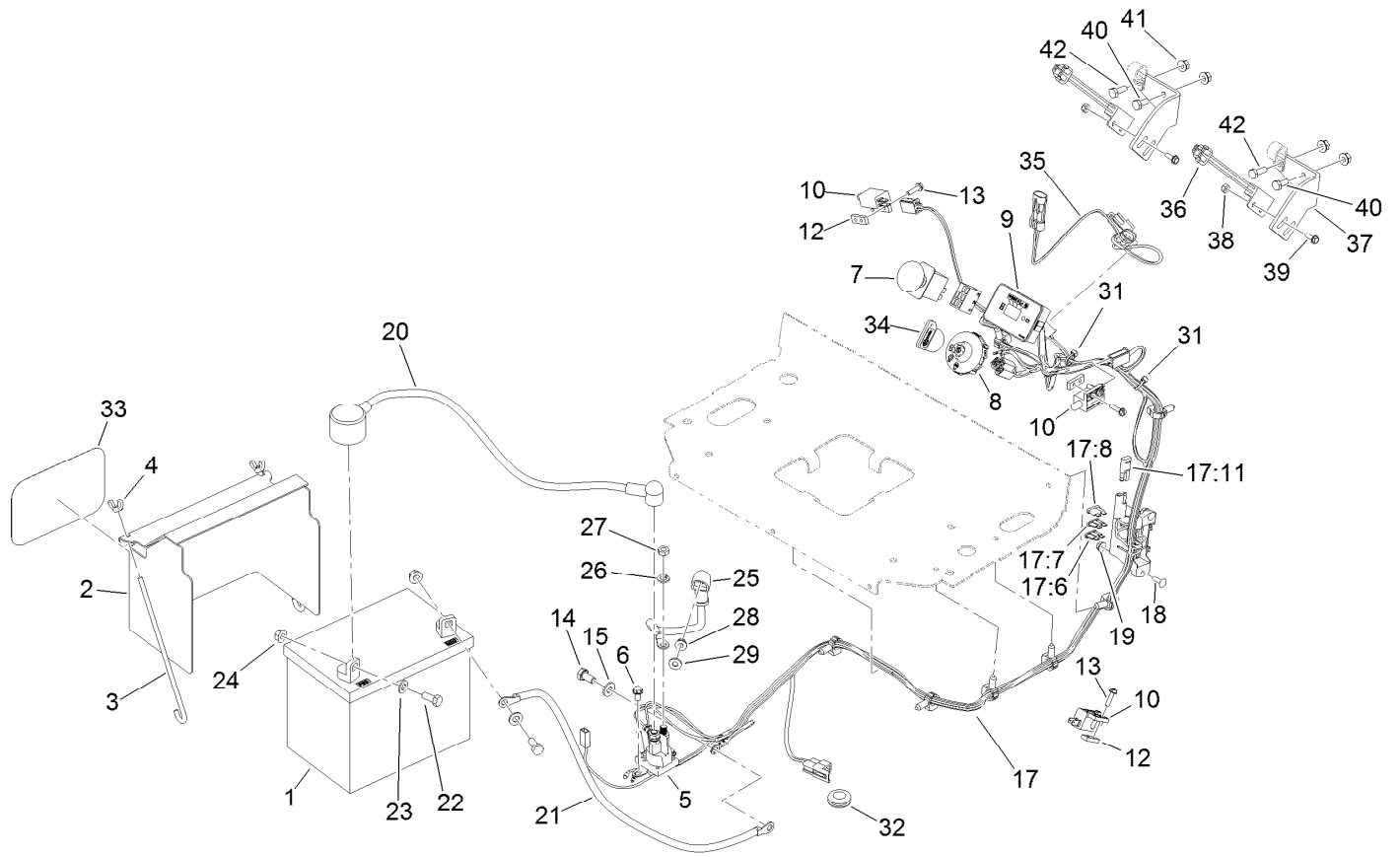
Vent Hose Assembly

<i>Ref.</i>	<i>Part Number</i>	<i>Qty.</i>	<i>Description</i>
1	109-3491	1	Hose-Fuel
2	109-0299	2	Hose-Fuel
3	119-7856	3	Hose-Fuel
4	109-0295	2	Hose-Fuel
6	99-5005	3	Fitting-Tee, Barbed
7	99-5000	1	Valve-Check, Fuel
8	106-8150	1	Fitting-Straight
9	120-2235	1	Filter-Air
10	2412-98	3	Clamp



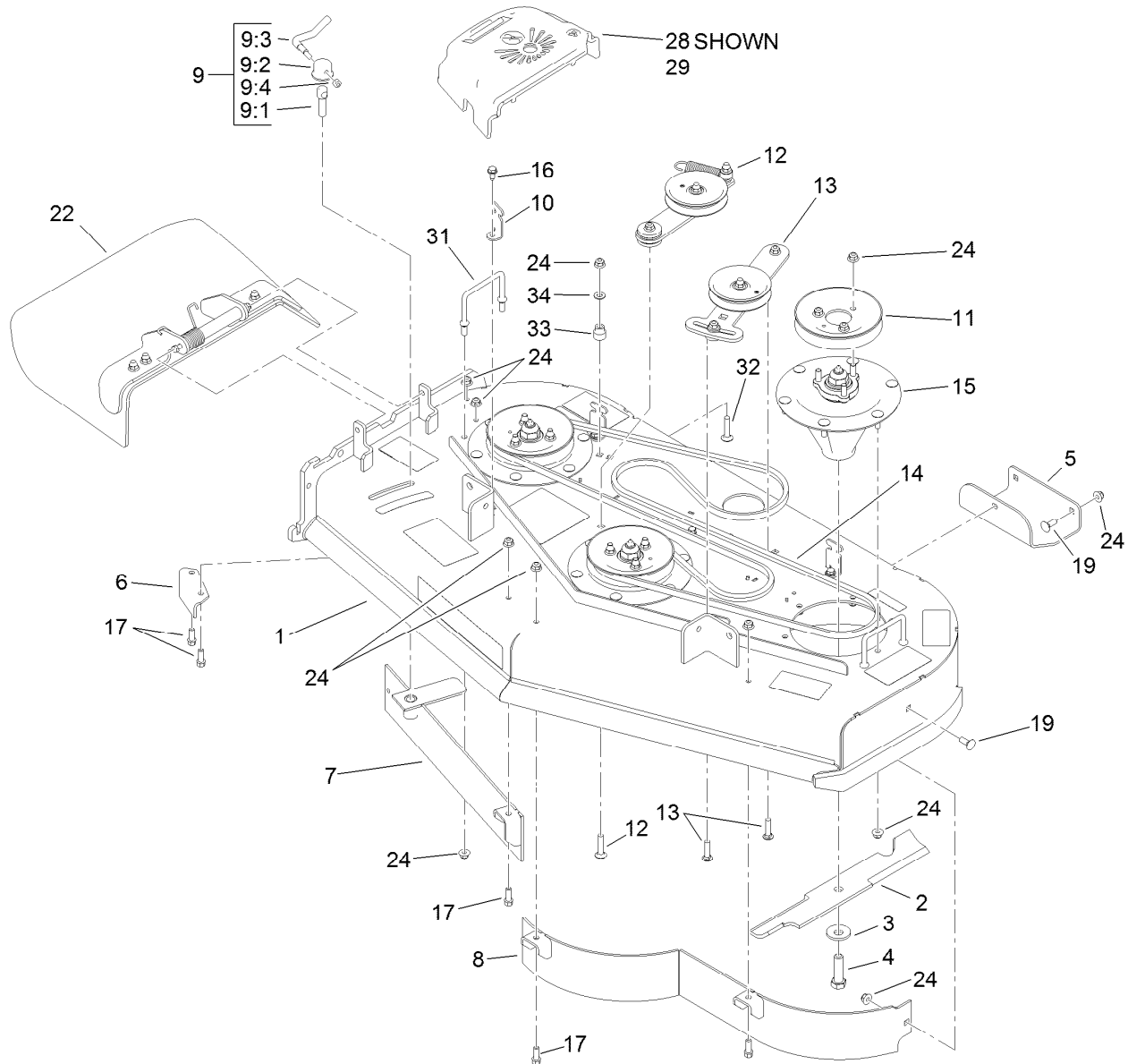
Electrical Assembly

<i>Ref.</i>	<i>Part Number</i>	<i>Qty.</i>	<i>Description</i>	<i>Ref.</i>	<i>Part Number</i>	<i>Qty.</i>	<i>Description</i>
1	104-2491	1	Battery	20	115-3864	1	Cable-Battery, Positive
2	117-0543-01	1	Cover-Battery	21	105-0836	1	Cable-Battery, Black
3	1-633651	2	Bolt-Holddown	22	322-3	2	Screw-HH
4	1-543792	2	Wingnut	23	3256-23	2	Washer-Flat
5	117-1197	1	Solenoid	24	109-5715	2	Nut-HHF, Smooth
6	32144-4	2	Screw-HWH	25	106-8268	1	Cable-Battery, Red
7	114-0279	1	Switch-PTO	26	3253-4	2	Washer-Lock
8	117-2222	1	Switch-Ignition	27	3220-2	2	Nut-Jam
9	115-4180	1	Module-Meter, Hour	28	32128-33	1	Nut-HF
10	1-513152	2	Switch-Closed, Normally	29	3256-22	1	Washer-Flat
12	1-633181	2	Plate-Tapped	31	1-303287	2	Tie-Cable
13	32105-13	4	Screw-HWH	32	112-7069	1	Grommet
14	33114-016	1	Screw-HH	33	68-3640	1	Decal
15	33094-00	1	Washer-Plain	34	63-8360	1	Key-Ignition
17	116-2662	1	Harness-Wiring	35	119-8729	1	Harness-Wire, Neutral
17:6	109103	1	Fuse-Blade, 30 Amp				Switch
17:7	109102	1	Fuse-Blade, 25 Amp	36	105-0023	2	Switch-Proximity
17:8	218-578	1	Fuse-Blade, 10 Amp	37	119-8503-01	2	Bracket-Mount, Switch
17:11	116-0053	1	Cap-Plug	38	3296-2	4	Nut-Lock, NI
18	1-807533	2	Bolt-CARR	39	32105-23	4	Screw
19	3290-148	2	Nut-HF	40	321-3	2	Screw-HH



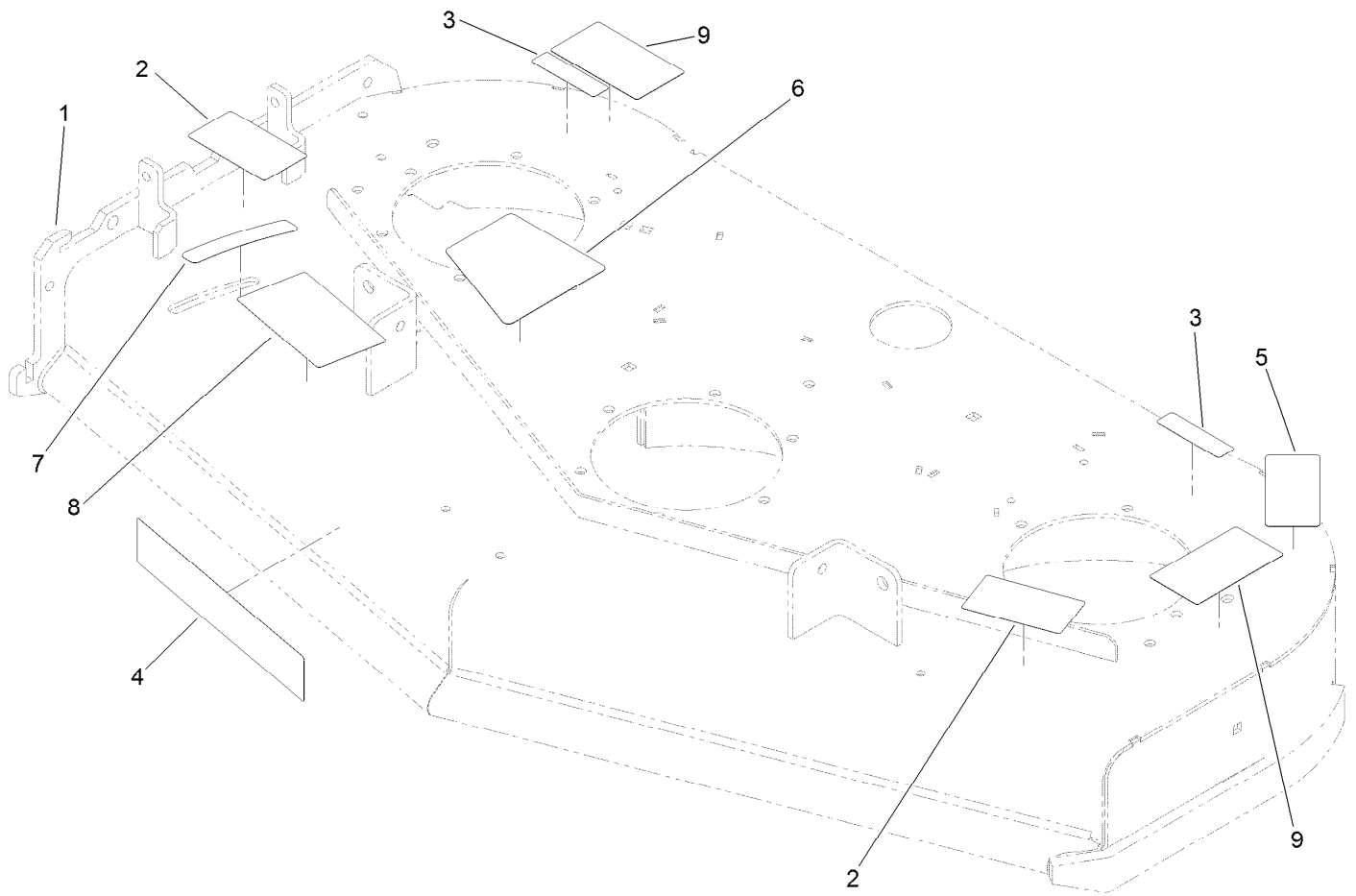
Electrical Assembly (continued)

<i>Ref.</i>	<i>Part Number</i>	<i>Qty.</i>	<i>Description</i>
41	32128-32	4	Nut-HHF
42	321-4	2	Screw-HH



Deck Assembly

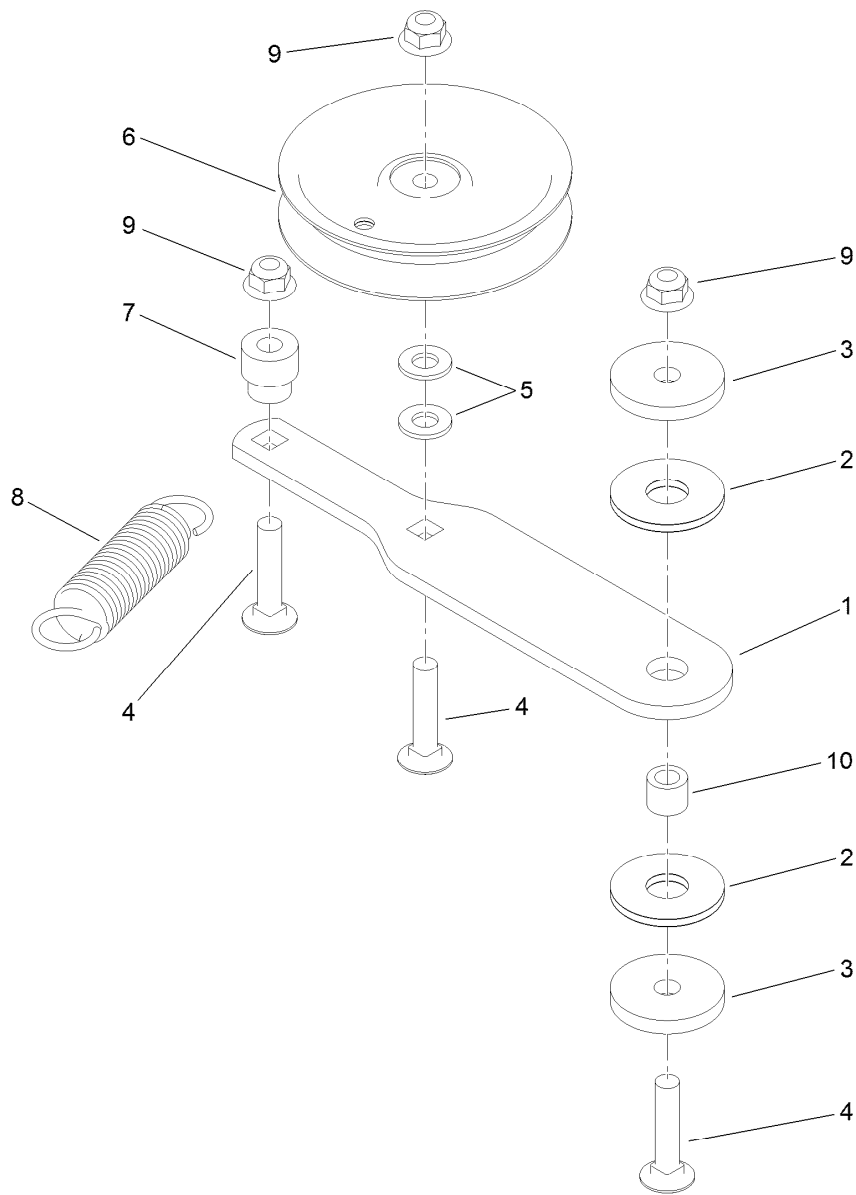
Ref.	Part Number	Qty.	Description	Ref.	Part Number	Qty.	Description
1	120-6401	1	Deck ASM	12	120-6410	1	Idler Arm ASM
2	107-3192-03	3	Blade-16.5 Inch (High Flow)	13	117-0446	1	Idler Adjust ASM
3	103-0865	3	Washer-Blade Bolt, Heavy	14	114-0453	1	Belt-V
4	51-4060	3	Screw-Blade	15	119-8560	3	Spindle ASM
5	114-1908-01	1	Skid	16	32144-70	4	Screw-HWHTF
6	107-8541-01	1	Baffle-Discharge	17	92-1624	5	Screw-HWH
7	114-1870-01	1	Baffle ASM	19	3231-2	4	Screw-CARR
8	117-0410-01	1	48 Inch Baffle ASM	22	114-1910	1	Deflector ASM
9	107-1664	1	Lever ASM	24	104-8301	41	Nut-Flange, NI
9:1	106-3239	1	Screw-Lock	28	120-6431	1	Cover-Belt, RH
9:2	107-1644	1	Cap-Lock	29	120-6423	1	Cover-Belt
9:3	106-3241	1	Lever-Lock	31	109-6982	2	Wireform-Cover
9:4	3296-29	1	Nut-Lock, NI	32	3231-5	1	Screw-CARR
10	117-5758-03	4	Bracket-Cover	33	1-603496	1	Bushing-Idler
11	120-6432	3	Pulley	34	3256-24	1	Washer-Flat



Deck Decal Assembly No. 120-6401

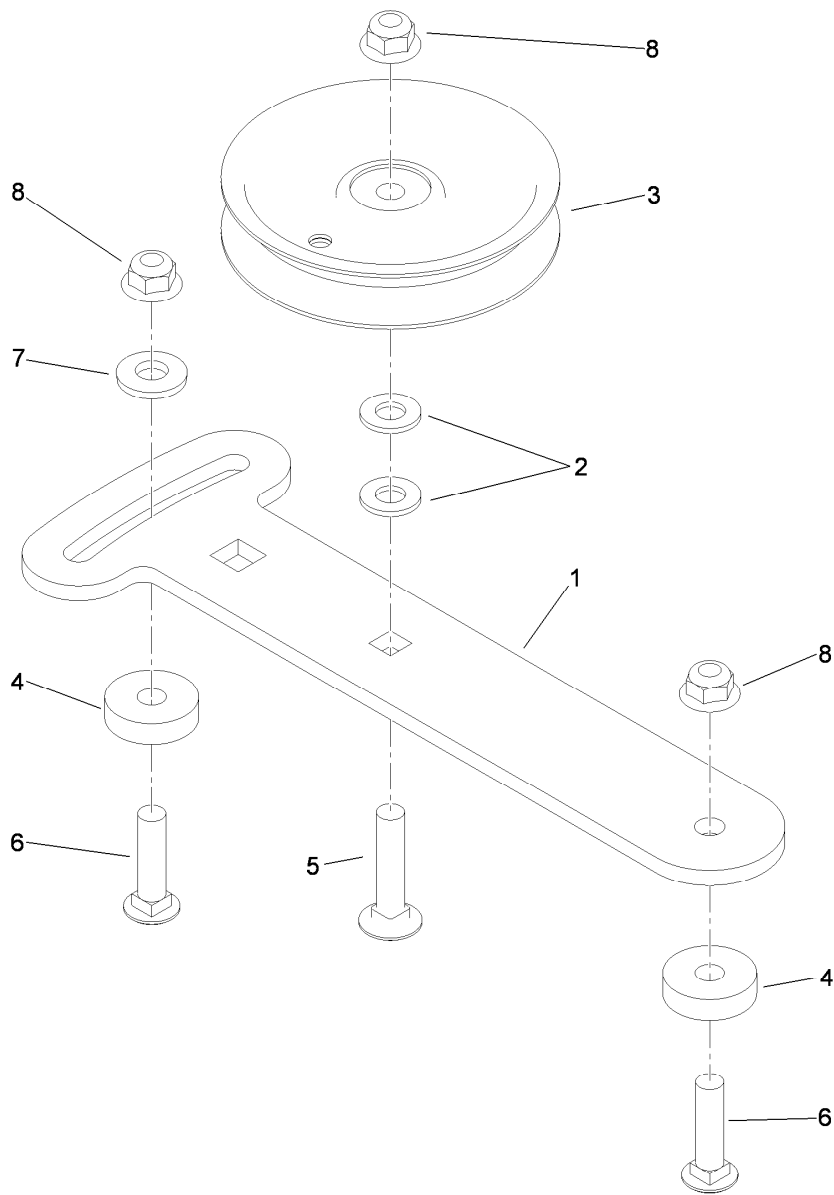
<i>Ref.</i>	<i>Part Number</i>	<i>Qty.</i>	<i>Description</i>
1		1	Deck ASM ●
2	93-7010	2	Decal-Danger
3	119-0217	2	Decal-Danger
4	107-1690	1	Decal
5	93-7818	1	Decal-Torque, Blade Bolt
6	120-6412	1	Decal-Belt Tension, Ce
7	110-2067	1	Decal-Setting, Baffle
8	110-2068	1	Decal-Adjustment, Baffle
9	120-6424	2	Decal-Danger, Rotating Parts

● Not serviced separately



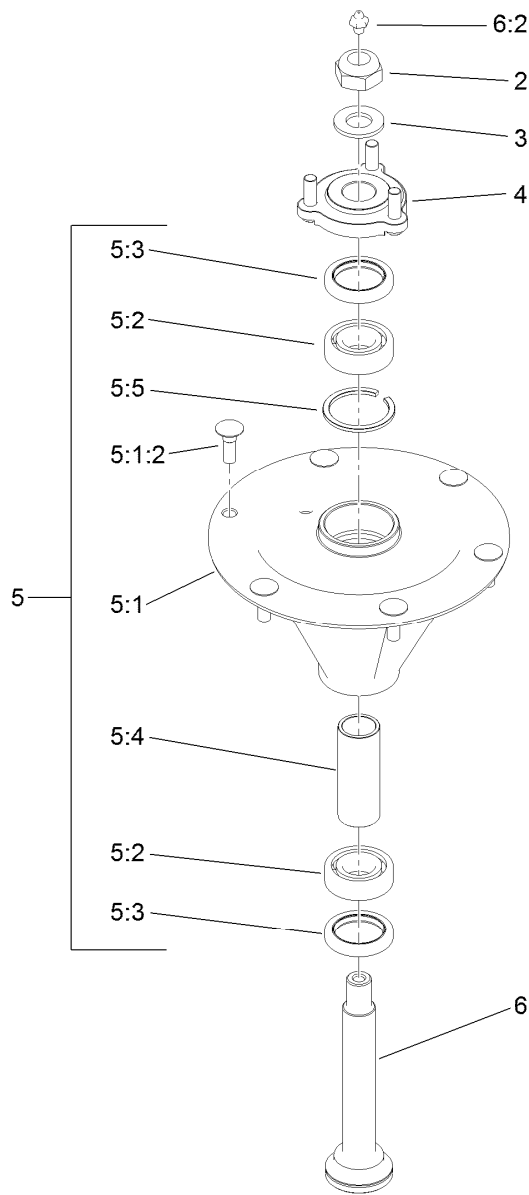
Idler Arm Assembly No. 120-6410

Ref.	Part Number	Qty.	Description
1	120-6409	1	Arm-Idler
2	114-0463	2	Washer-Friction, Composite
3	110-9981	2	Washer-Plain
4	3231-5	3	Screw-CARR
5	3256-24	2	Washer-Flat
6	93-1622	1	Pulley-Idler
7	1-603496	1	Bushing-Idler
8	1-603402	1	Spring-Extension
9	104-8301	3	Nut-Flange, NI
10	1-413088	1	Bushing-Lever, Lift



Idler Adjust Assembly No. 117-0446

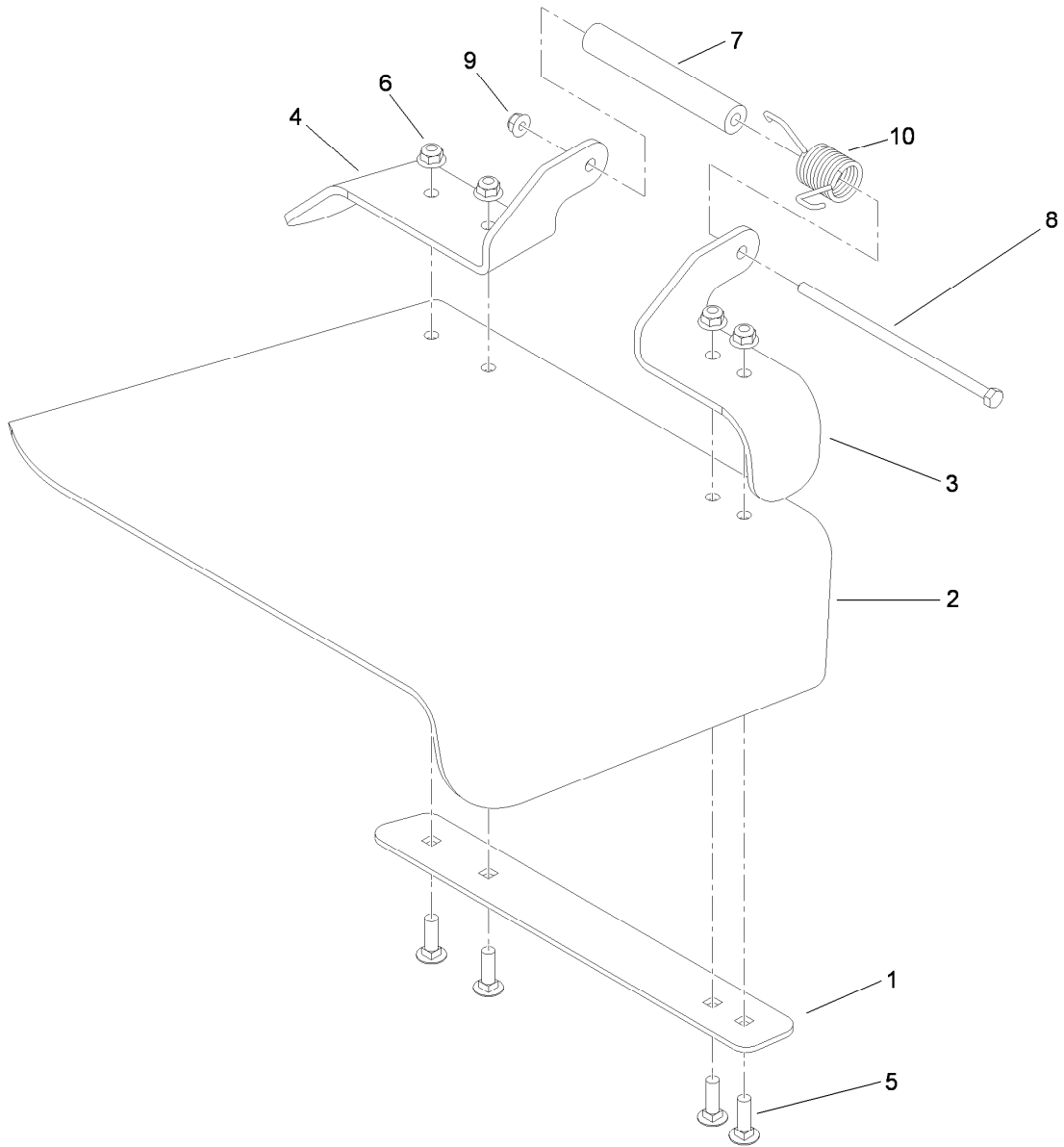
<i>Ref.</i>	<i>Part Number</i>	<i>Qty.</i>	<i>Description</i>
1	114-1991	1	Plate-Idler
2	3256-24	2	Washer-Flat
3	93-1622	1	Pulley-Idler
4	105-7788	2	Spacer
5	3231-5	1	Screw-CARR
6	3231-4	2	Screw-CARR
7	98-5975	1	Washer-Belleville
8	104-8301	3	Nut-Flange, NI



Spindle Assembly No. 119-8560

Ref.	Part Number	Qty.	Description
2	3296-67	1	Nut-Lock, NI
3	92-5836	1	Washer
4	117-6172	1	Spindle Hub ASM
5		1	Spindle Housing ASM ●
5:1		1	Spindle Housing And Studs ASM ●
5:1:2	114-8195	6	Bolt-Ribbed Neck
5:2	119-8554	2	Bearing -Noseal
5:3	253-133	2	Seal-Oil
5:4	117-6184	1	Spacer
5:5	119-8532	1	Snap Ring
6	119-8527	1	Spindle Shaft And Zerk ASM
6:2	302-2	1	Fitting-Grease

● Not serviced separately



Deflector Assembly No. 114-1910

Ref.	Part Number	Qty.	Description
1	106-3248-03	1	Strap-Discharge
2	110-0759	1	Deflector-Rubber
3	108-7766-03	1	Bracket-Hinge, Front
4	108-7767-03	1	Bracket-Hinge, Rear
5	3231-25	4	Screw-CARR
6	104-8301	4	Nut-Flange, NI
7	105-4622	1	Spacer
8	322-50	1	Screw-HH
9	104-8300	1	Nut-Flange, NI
10	108-4052	1	Spring-Torsion

Attachments and Accessories

For 74538 GrandStand Mower With 48in TURBO FORCE Cutting Unit

Product Name	Model/Part
Standard High Lift Blade	107-3192-03
Blade-Low Flow, 16.5 inch	107-3193-03
Blade-Mid Flow, 16.5 inch.....	107-3194-03
Blade-Atomic, 16.5 inch.....	107-3195-03
Blade-Recycling, 16.5 inch	107-3196-03
Bagging Enhancement Kit	108-4091
Blade-Hi Flow, 16.5 inch (6 Pack)	110-0414
Blade-Lo Flow, 16.5 inch (6 Pack)	110-0415
Blade-Recycler, 16.5 inch (6 Pack).....	110-0416
Blade-Atomic, 16.5 inch (6 Pack).....	110-0417
Blade-Mid Flow, 16.5 inch (6 Pack).....	110-0418
Weight-Cast.....	112-7059-01
Light Kit.....	114-3505
Striping Kit	114-3521
Hypr-Oil 500 (quart).....	114-4713
Hypr-Oil 500 (gallon).....	114-4714
Hypr-Oil 500-5 (5 gallon).....	114-4715
Recycler Kit	117-0540
Weight Kit	117-3620
Chute Gate Kit With Bag.....	119-7292
Trash Bag ASM	119-7293
Speed Control Kit.....	119-7390
Soft Bag (3 Bushel).....	30104

Notes:



Count on it.