



Count on it.

Parts Catalog

GrandStand[®] Mower

With 52in TURBO FORCE[®] Cutting Unit

Model No. 74549—Serial No. 311000001 and Up

Ordering Replacement Parts

To order replacement parts, please supply the part number, the quantity, and the description of each part desired.

Understanding Reference Numbers

Each identified part in an illustration has a reference number. The reference number for a part also appears in the parts list, along with other information about the part.

This catalog uses two special reference number formats, one to indicate parts in a service assembly and another to indicate the quantity of a given part in an illustration.

Service Assembly Reference Numbers

Parts in service assemblies have reference numbers in the form a:b. The a represents the reference number of the entire service assembly and the b represents a sequential number unique to each part within the service assembly.

For example, a wheel assembly might be identified by reference number 6, the tire by 6:1, the valve by 6:2, and the wheel by 6:3. When you order the assembly identified by reference number 6, you receive all parts identified by reference numbers 6:1, 6:2, and 6:3. However, you may also order any part individually. Reference numbers of this type appear in illustration and in parts lists.

Reference Numbers Indicating Quantity

In an illustration, if a reference number indicates more than one part, the reference number has the form nX y. The n represents the quantity of the part, the X is the multiplication symbol, and the y represents the reference number.

For example, in an illustration, the reference number 2X 37 means that two of the parts identified by reference number 37 are indicated.

List of Abbreviations

AR: as required

ASM: assembly

BBC: blade brake control

BHTF: button head thread forming

CARR: carriage

CCW: counter clockwise

CW: clockwise

DEG: degrees

DPA: Dual Point Adjustment

ECM: electronic control module

EXT: external

FH: flat head

GA: gauge

HD: heavy-duty

HF: hex flange

HH: hex head

HHF: hex head flange

HHFTF: hex head flange thread forming

HJ: hex jam

HLH: hex lag head

HOC: height-of-cut

HSBH: hex socket button head

HSFH: hex socket flat head

HSH: hex socket head

HWH: hex washer head

HWTF: hex washer head thread forming

HYD: hydraulic

LH: left hand

LP: Liquid Propane

NI: nylon insert

NPTF: national pipe thread fine

PFH: phillips flat head

PPH: phillips pan head

PPHTF: phillips pan head thread forming

PRH: phillips round head

PTH: phillips truss head

PTO: power-take-off

RH: right hand

ROPS: roll-over protection system

RRB: rear roller brush

SFH: slotted fillister head

SHH: slotted hex head

SHWH: slotted hex washer head

SPH: slotted pan head

SQH: square head

SRH: slotted round head

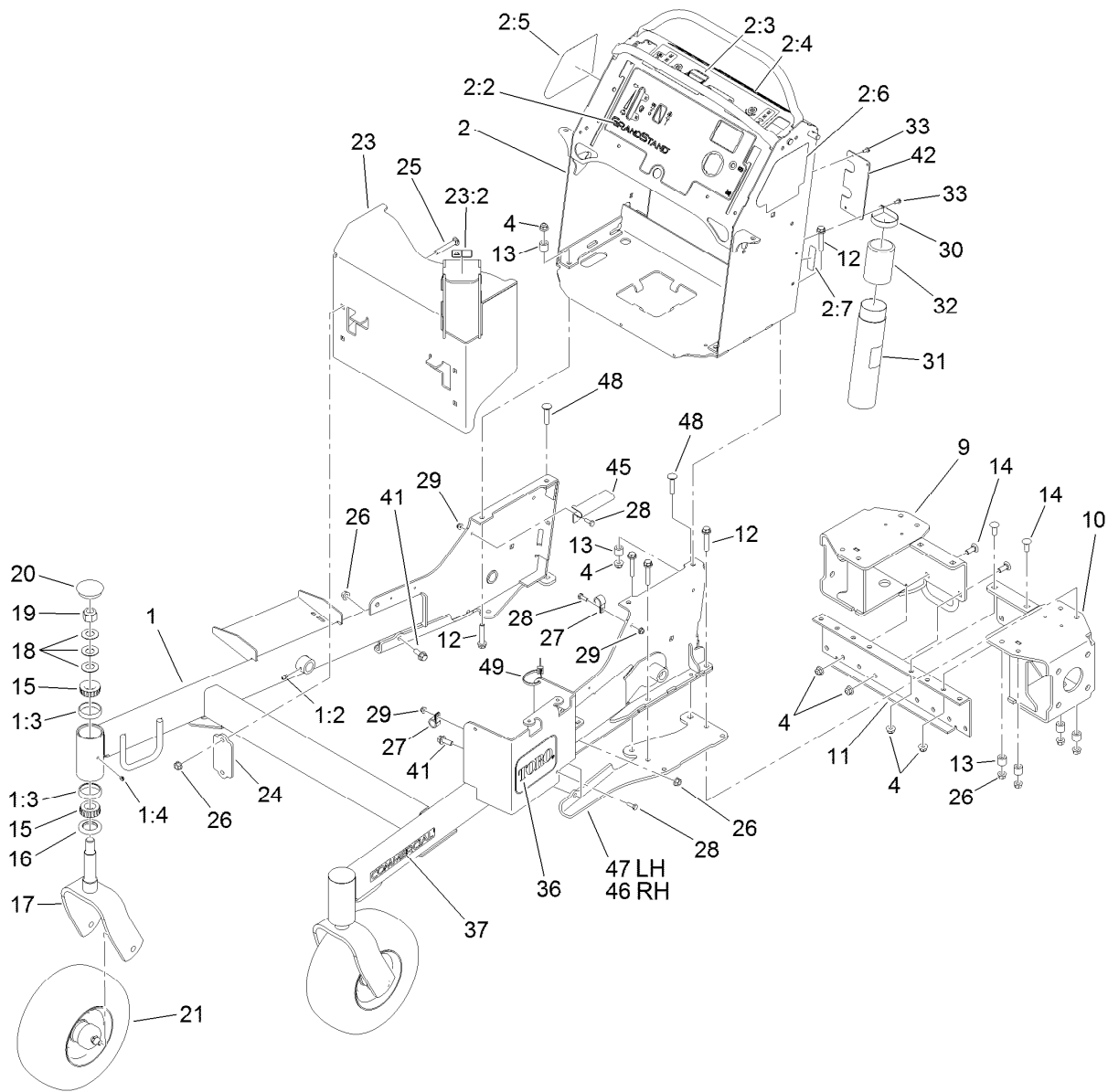
STD: standard

TAP: self tapping

TTH: torx truss head

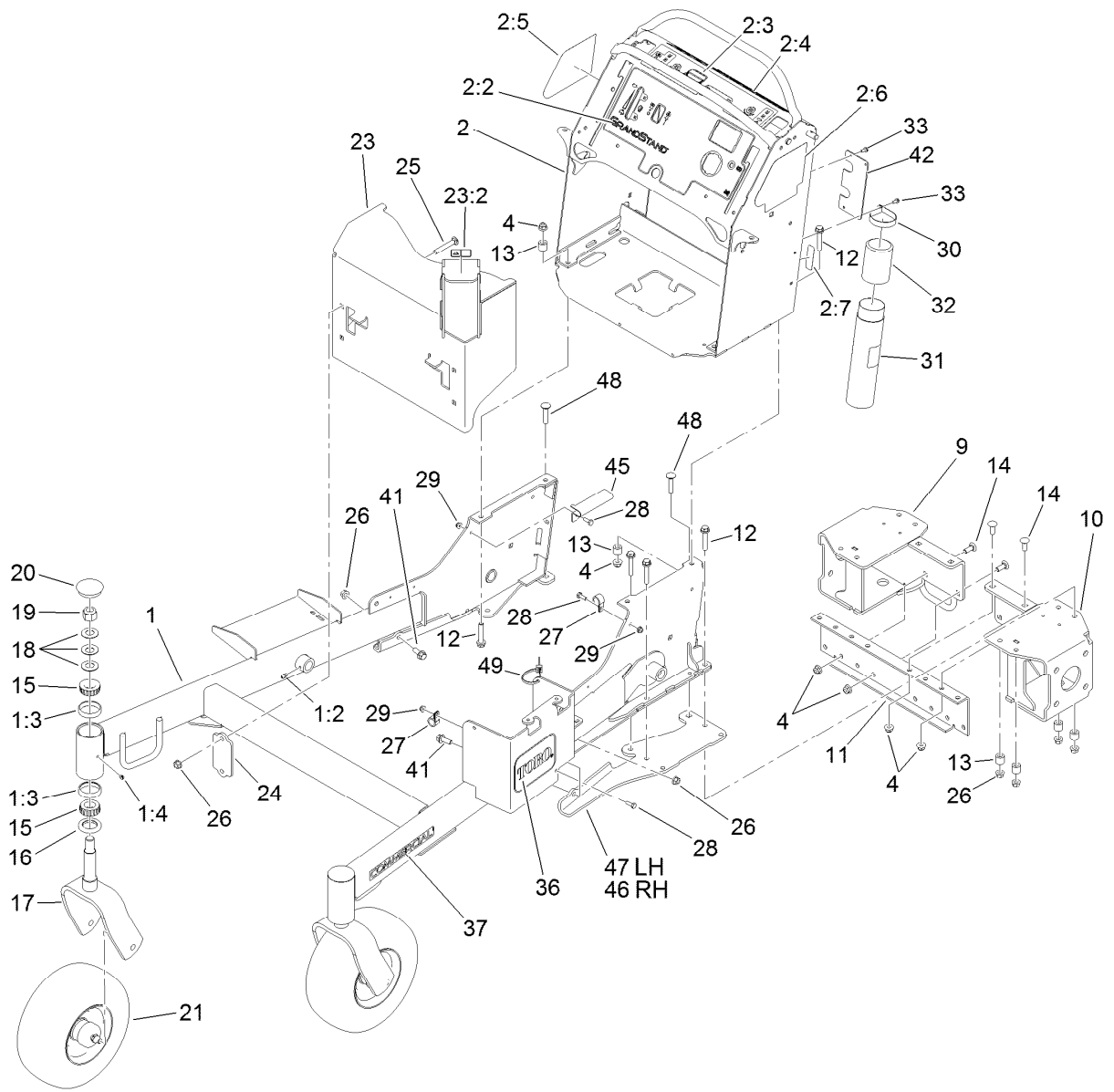
Contents

| | |
|--|----|
| Frame Assembly..... | 4 |
| Wheel and Bearing Assembly No. 112-3810..... | 6 |
| Parking Brake Assembly..... | 7 |
| Decklift Assembly..... | 8 |
| Platform Assembly..... | 10 |
| Cushion Assembly No. 119-8742..... | 11 |
| Platform Assembly No. 117-9640..... | 12 |
| Ground Drive Assembly..... | 13 |
| Hydraulic Motor Assembly No. 114-0549..... | 15 |
| Hydraulic Pump Assembly No. 119-7375..... | 16 |
| Pump Idler Assembly..... | 17 |
| Control Assembly..... | 18 |
| Engine Assembly..... | 19 |
| Fuel Tank Assembly..... | 20 |
| Vent Hose Assembly..... | 21 |
| Electrical Assembly..... | 22 |
| Deck Assembly..... | 24 |
| Deck Decal Assembly No. 120-6405..... | 25 |
| Idler Arm Assembly No. 120-6410..... | 26 |
| Idler Adjust Assembly No. 117-0446..... | 27 |
| Spindle Assembly No. 119-8560..... | 28 |
| Deflector Assembly No. 114-1910..... | 29 |
| Attachments and Accessories..... | 30 |



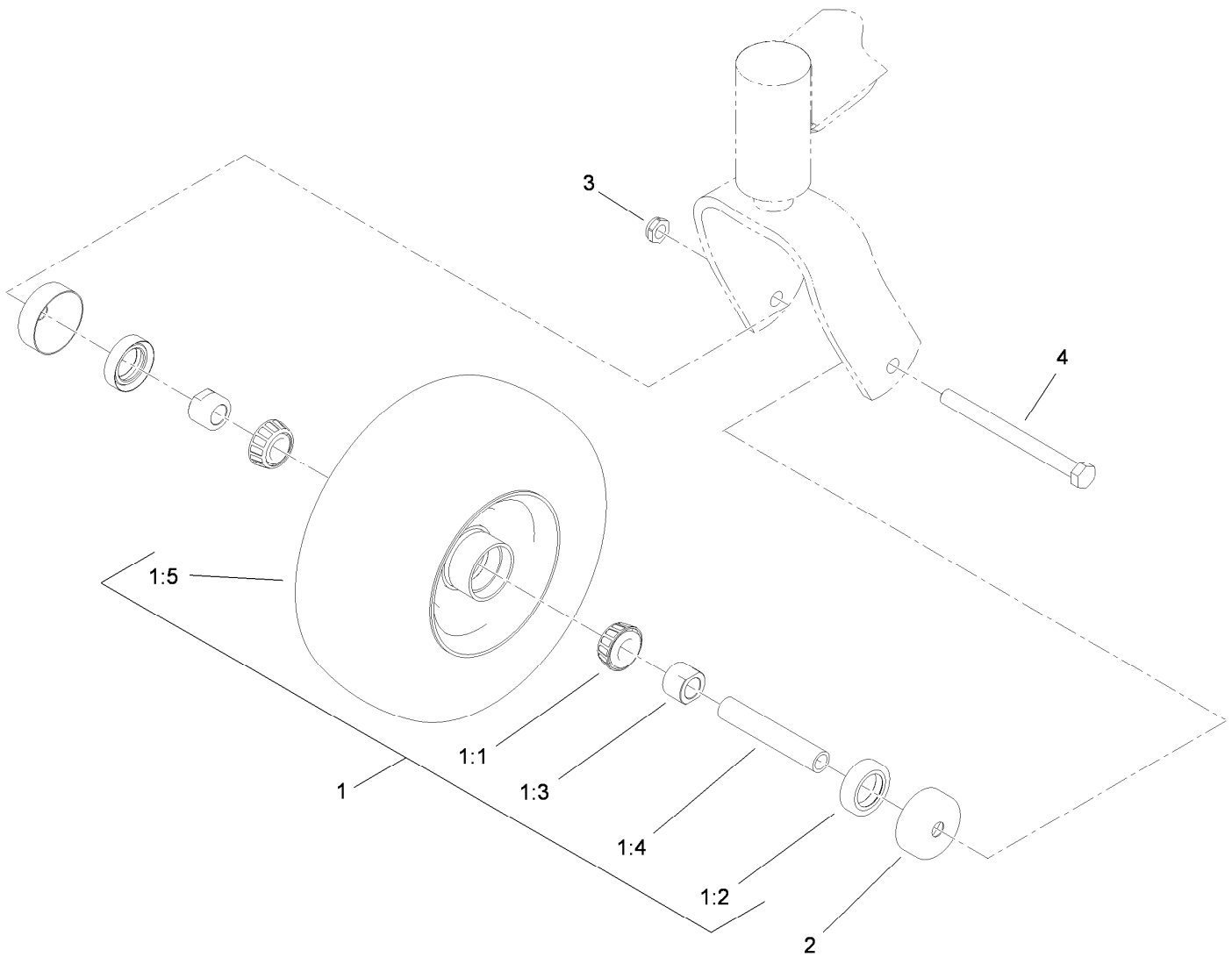
Frame Assembly

| Ref. | Part Number | Qty. | Description | Ref. | Part Number | Qty. | Description |
|------|-------------|------|-------------------------|------|-------------|------|----------------------------|
| 1 | 117-9690 | 1 | Front Frame ASM | 18 | 1-633508 | 6 | Washer-Bellville |
| 1:2 | 302-5 | 4 | Fitting-Grease | 19 | 3296-51 | 2 | Nut-Lock, NI |
| 1:3 | 1-543508 | 4 | Cup-Bearing | 20 | 103-4882 | 2 | Cap-Grease |
| 1:4 | 1-811010 | 2 | Plug | 21 | 112-3810 | 2 | Wheel/Tire And Bearing ASM |
| 2 | 119-8725 | 1 | Control Tower ASM | 23 | 119-0230 | 1 | Muffler Guard ASM |
| 2:2 | 119-8728 | 1 | Decal-Control Panel | 23:2 | 106-5517 | 1 | Decal-Warning, Hot Surface |
| 2:3 | 119-8727 | 1 | Decal-Opc | 24 | 119-7303-01 | 2 | Bracket-Mounting, Guard |
| 2:4 | 117-3626 | 1 | Decal-Warning | 25 | 3231-31 | 4 | Screw-CARR |
| 2:5 | 117-0456 | 1 | Decal-HOC | 26 | 32128-21 | 14 | Nut-HF |
| 2:6 | 119-7382 | 1 | Decal-Service Aid | 27 | 2412-87 | 2 | Clamp-Cable |
| 2:7 | 116-3267 | 1 | Decal-Fuse | 28 | 321-4 | 3 | Screw-HH |
| 4 | 104-8301 | 12 | Nut-Flange, NI | 29 | 104-7201 | 3 | Nut-HF |
| 9 | 119-7222-01 | 1 | RH Motor Mount ASM | 30 | 2412-120 | 2 | R-Clamp |
| 10 | 119-7220-01 | 1 | LH Motor Mount ASM | 31 | 104-7050 | 1 | Tube-Manual |
| 11 | 119-7224-01 | 1 | Mount-Motor, Center | 32 | 104-7048 | 1 | Cap-Housing |
| 12 | 108-3742 | 10 | Screw-HHF | 33 | 32144-1 | 4 | Screw-Taptite |
| 13 | 98-8895 | 12 | Spacer | 36 | 68-3640 | 1 | Decal |
| 14 | 3231-22 | 8 | Screw-CARR | 37 | 117-3591 | 2 | Decal-Commercial |
| 15 | 1-543509 | 4 | Bearing-Roller, Tapered | 41 | 3234-42 | 2 | Screw-HHF |
| 16 | 1-543511 | 2 | Seal-Grease | 42 | 119-8736-01 | 1 | Plate-Manual |
| 17 | 103-8618-01 | 2 | Fork-Caster | | | | |



Frame Assembly (continued)

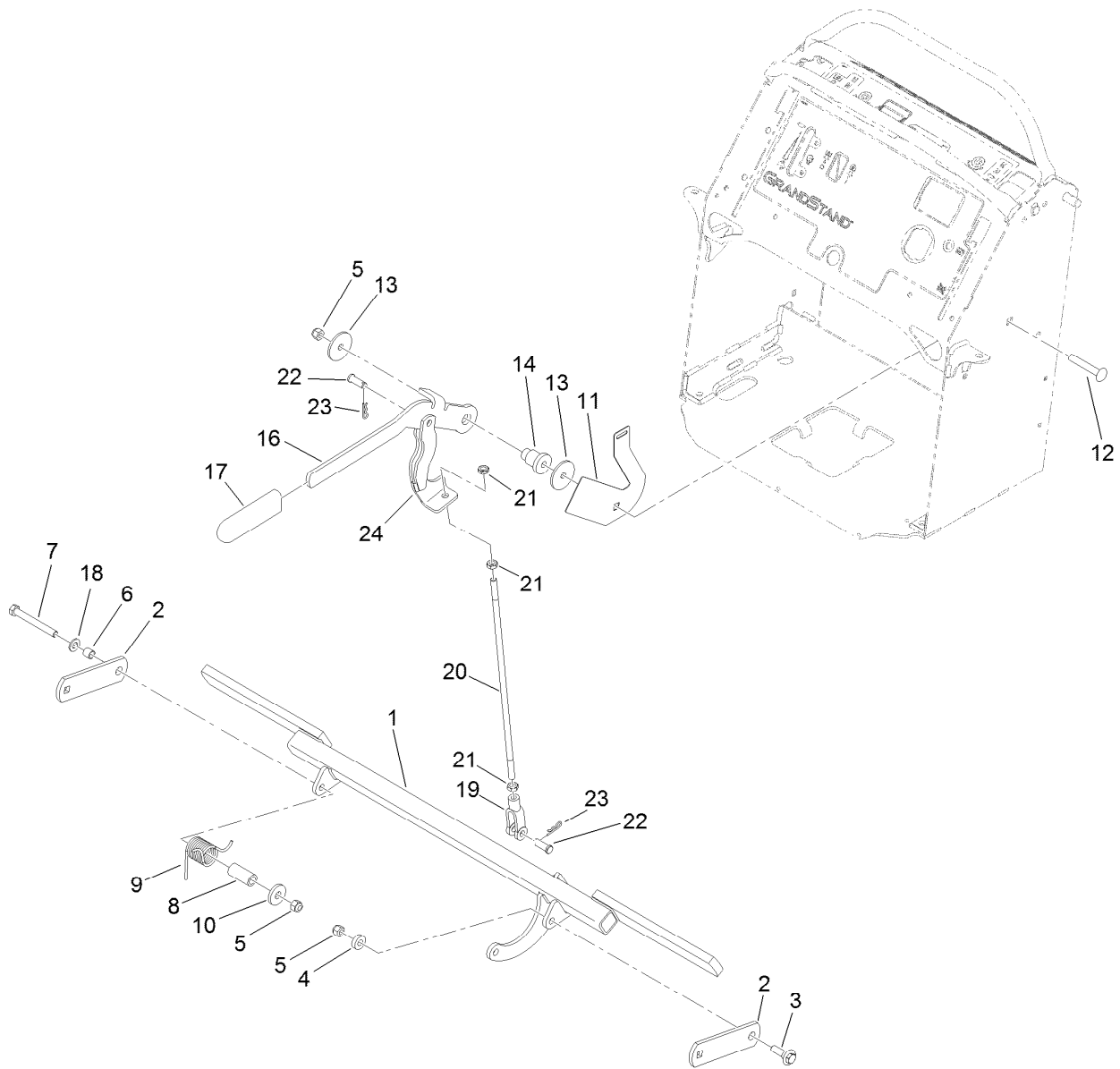
| <i>Ref.</i> | <i>Part Number</i> | <i>Qty.</i> | <i>Description</i> | <i>Ref.</i> | <i>Part Number</i> | <i>Qty.</i> | <i>Description</i> |
|-------------|--------------------|-------------|--------------------------------|-------------|--------------------|-------------|--------------------|
| 45 | 116-5067 | 1 | Bracket-Hose, Fuel (Double) | 47 | 120-6454-01 | 1 | Plate-Shim, LH |
| 46 | 120-6453-01 | 1 | Plate-Shim, RH | 48 | 3231-5 | 2 | Screw-CARR |
| | | | | 49 | 3290-378 | 1 | Tie-Cable |



Wheel and Bearing Assembly No. 112-3810

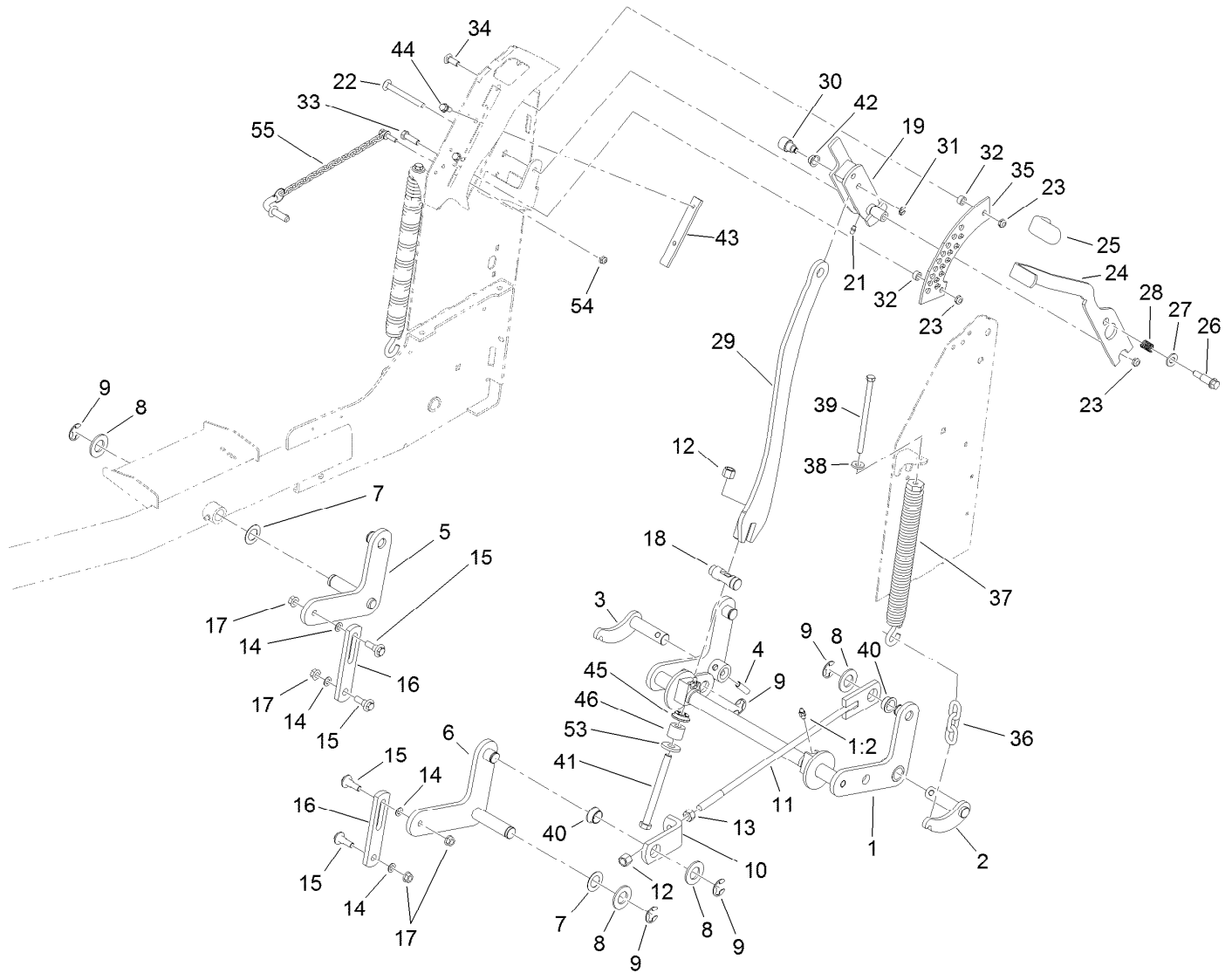
| Ref. | Part Number | Qty. | Description |
|------|-------------|------|-------------------------|
| 1 | | 1 | Wheel And Bearing ASM ● |
| 1:1 | 1-633585 | 2 | Bearing-Cone, Taper |
| 1:2 | 103-0063 | 2 | Seal-Caster |
| 1:3 | 103-3051 | 2 | Spacer-Nut |
| 1:4 | 103-3157 | 1 | Axle-Caster |
| 1:5 | 110-9965 | 1 | Wheel And Tire ASM |
| 2 | 103-2768 | 2 | Guard-Seal |
| 3 | 3296-45 | 1 | Nut-Lock, NI |
| 4 | 325-20 | 1 | Screw-HH |

● Not serviced separately



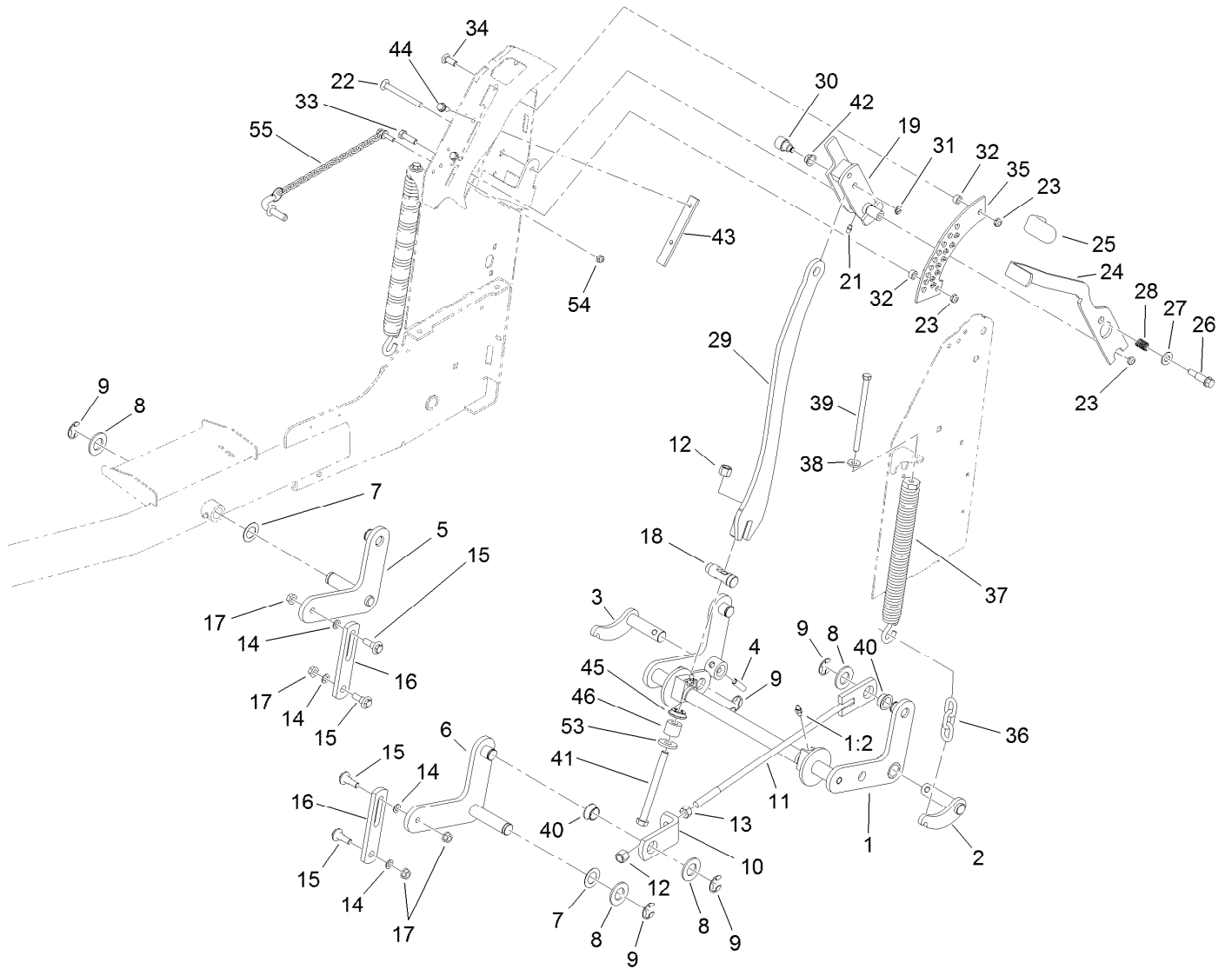
Parking Brake Assembly

| Ref. | Part Number | Qty. | Description | Ref. | Part Number | Qty. | Description |
|------|-------------|------|---------------------|------|-------------|------|---------------------|
| 1 | 119-8730-03 | 1 | Brake Bar ASM | 13 | 63-7400 | 2 | Washer-Rebound |
| 2 | 114-5186-01 | 2 | Support-Brake | 14 | 106-3214 | 1 | Mount-Pulley |
| 3 | 614672 | 1 | Bolt-Shoulder | 16 | 117-5759-03 | 1 | Lever-Brake |
| 4 | 5-0652 | 1 | Spacer | 17 | 1-633268 | 1 | Grip-Lever |
| 5 | 3296-39 | 3 | Nut-Lock, NI | 18 | 3256-24 | 1 | Washer-Flat |
| 6 | 117-9684 | 1 | Spacer | 19 | 1-633131 | 1 | Yoke-Linkage, Brake |
| 7 | 323-20 | 1 | Screw-HH | 20 | 119-7244 | 1 | Rod-Brake |
| 8 | 117-9683 | 1 | Spacer | 21 | 3220-3 | 3 | Nut-HJ |
| 9 | 117-9682 | 1 | Spring-Torsion | 22 | 283-2 | 2 | Pin-Clevis |
| 10 | 1-373034 | 1 | Washer | 23 | 3290-307 | 2 | Pin-Hair |
| 11 | 117-0452-03 | 1 | Plate-Switch, Brake | 24 | 119-8780-03 | 1 | Brake Arm ASM |
| 12 | 3231-44 | 1 | Screw-CARR | | | | |



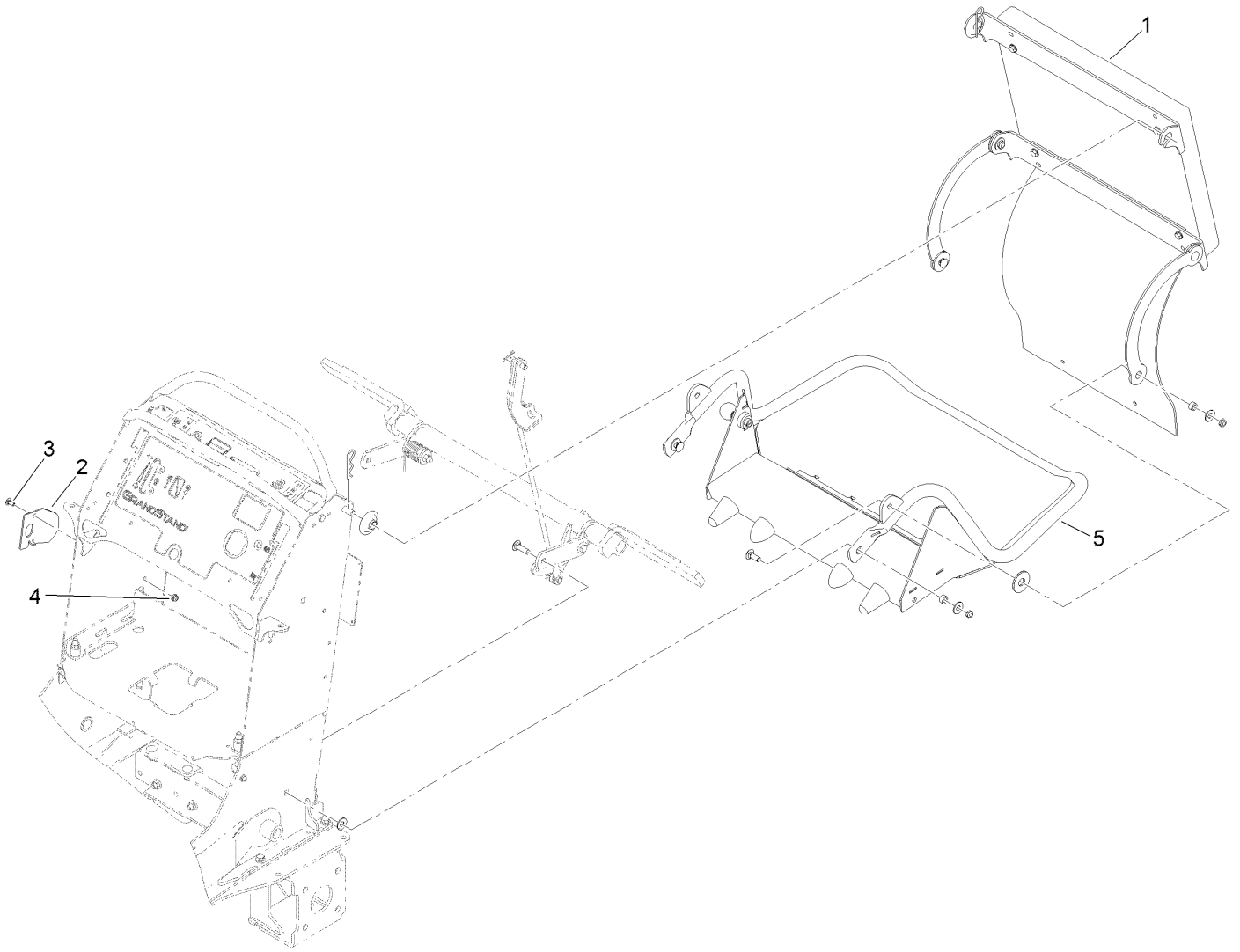
Decklift Assembly

| Ref. | Part Number | Qty. | Description | Ref. | Part Number | Qty. | Description |
|------|-------------|------|----------------------|------|-------------|------|-----------------------|
| 1 | 116-3103 | 1 | Rear Crossshaft ASM | 22 | 3231-24 | 1 | Screw-CARR |
| 1:2 | 302-11 | 2 | Fitting-Lube, 45 DEG | 23 | 3296-59 | 3 | Nut-Lock, NI |
| 2 | 116-3104-01 | 1 | LH Pivot Shaft ASM | 24 | 114-1878-03 | 1 | Lever-HOC |
| 3 | 116-3105-01 | 1 | RH Pivot Shaft ASM | 25 | 1-633268 | 1 | Grip-Lever |
| 4 | 116-3107 | 2 | Pin-Spiral | 26 | 66-0561 | 1 | Screw-Shoulder |
| 5 | 117-0489-01 | 1 | RH Lift ASM | 27 | 3256-26 | 1 | Washer-Flat |
| 6 | 117-0488-01 | 1 | LH Lift ASM | 28 | 65-9940 | 1 | Spring |
| 7 | 110-6767 | 2 | Washer-Thrust | 29 | 116-2939 | 1 | Bar-Lift |
| 8 | 3256-29 | 6 | Washer-Flat | 30 | 116-3048 | 1 | Hub-Pivot |
| 9 | 32151-103 | 7 | Ring-Retaining, EXT | 31 | 32151-47 | 1 | Ring-Retaining |
| 10 | 116-2901 | 2 | Bracket-Lift Rod | 32 | 111044 | 2 | Spacer |
| 11 | 116-2902 | 2 | Lift Rod ASM | 33 | 323-7 | 1 | Screw-HH |
| 12 | 3296-23 | 3 | Nut-Lock, NI | 34 | 3231-22 | 1 | Screw-CARR |
| 13 | 3217-9 | 2 | Nut-HH | 35 | 114-5307 | 1 | Bracket-HOC |
| 14 | 40-1940 | 4 | Washer | 36 | 103-9859 | 2 | Chain-Decklift, Front |
| 15 | 109-9840 | 4 | Screw-Shoulder, HHF | 37 | 116-0886 | 2 | Extension Spring ASM |
| 16 | 117-0519 | 2 | Link-Lift | 38 | 98-5975 | 2 | Washer-Belleville |
| 17 | 32128-21 | 4 | Nut-HF | 39 | 323-58 | 2 | Bolt-TAP, HH |
| 18 | 114-5274 | 1 | Pin-HOC | 40 | 116-2909 | 4 | Bearing-Flange |
| 19 | 114-3512 | 1 | HOC Handle ASM | 41 | 325-22 | 1 | Screw-HH |
| 21 | 302-5 | 1 | Fitting-Grease | 42 | 116-3047 | 1 | Bearing-Flange |



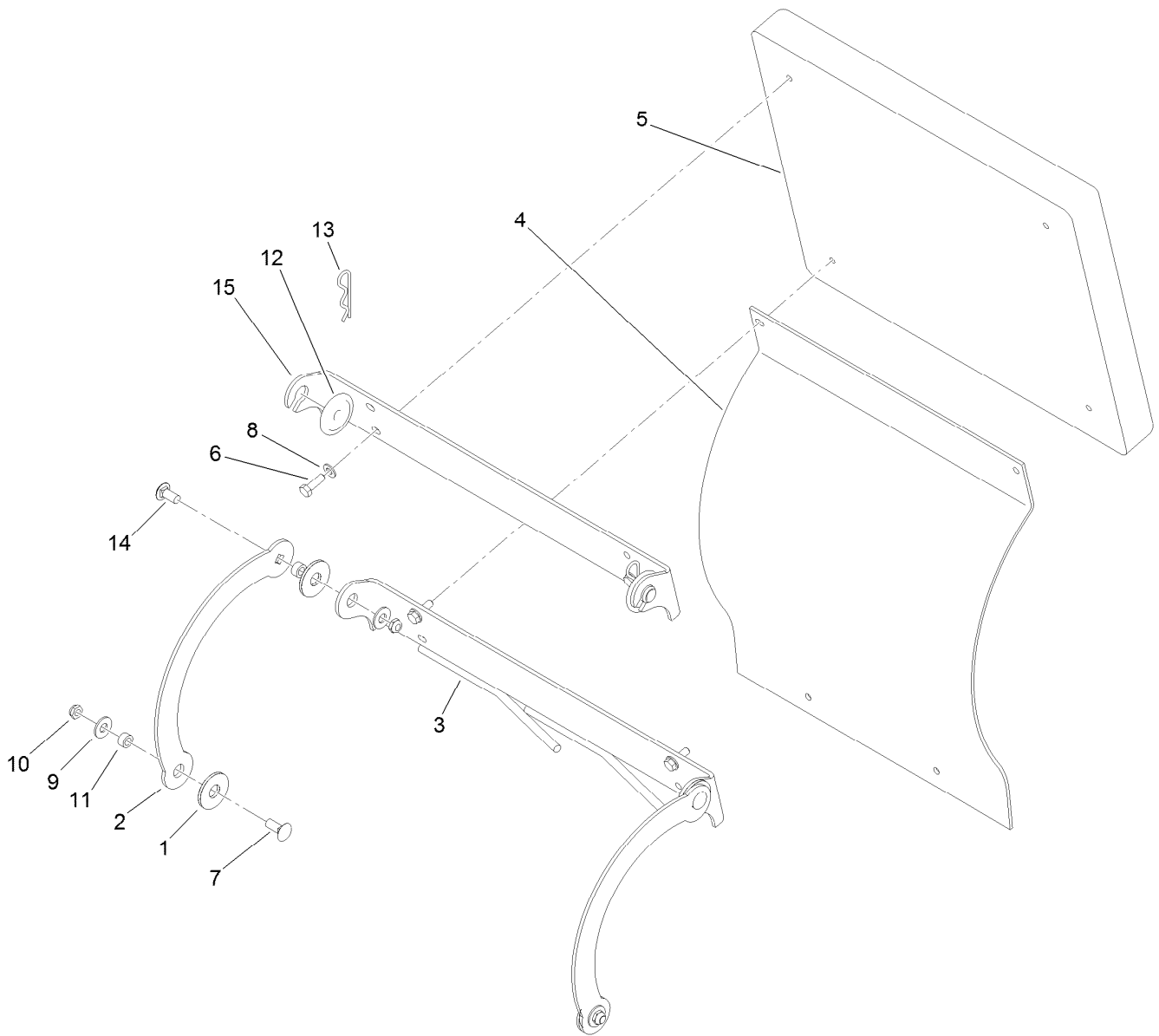
Decklift Assembly (continued)

| <i>Ref.</i> | <i>Part Number</i> | <i>Qty.</i> | <i>Description</i> | <i>Ref.</i> | <i>Part Number</i> | <i>Qty.</i> | <i>Description</i> |
|-------------|--------------------|-------------|--------------------|-------------|--------------------|-------------|--------------------|
| 43 | 116-3124 | 1 | Skid-Handle, Lift | 53 | 92-2651 | 1 | Washer |
| 44 | 32144-11 | 2 | Screw-HWHTF | 54 | 104-7201 | 1 | Nut-HF |
| 45 | 116-3625 | 1 | Seat-Spring | 55 | 114-0409 | 1 | HOC Pin ASM |
| 46 | 116-3241 | 1 | Spring-Urethane | | | | |



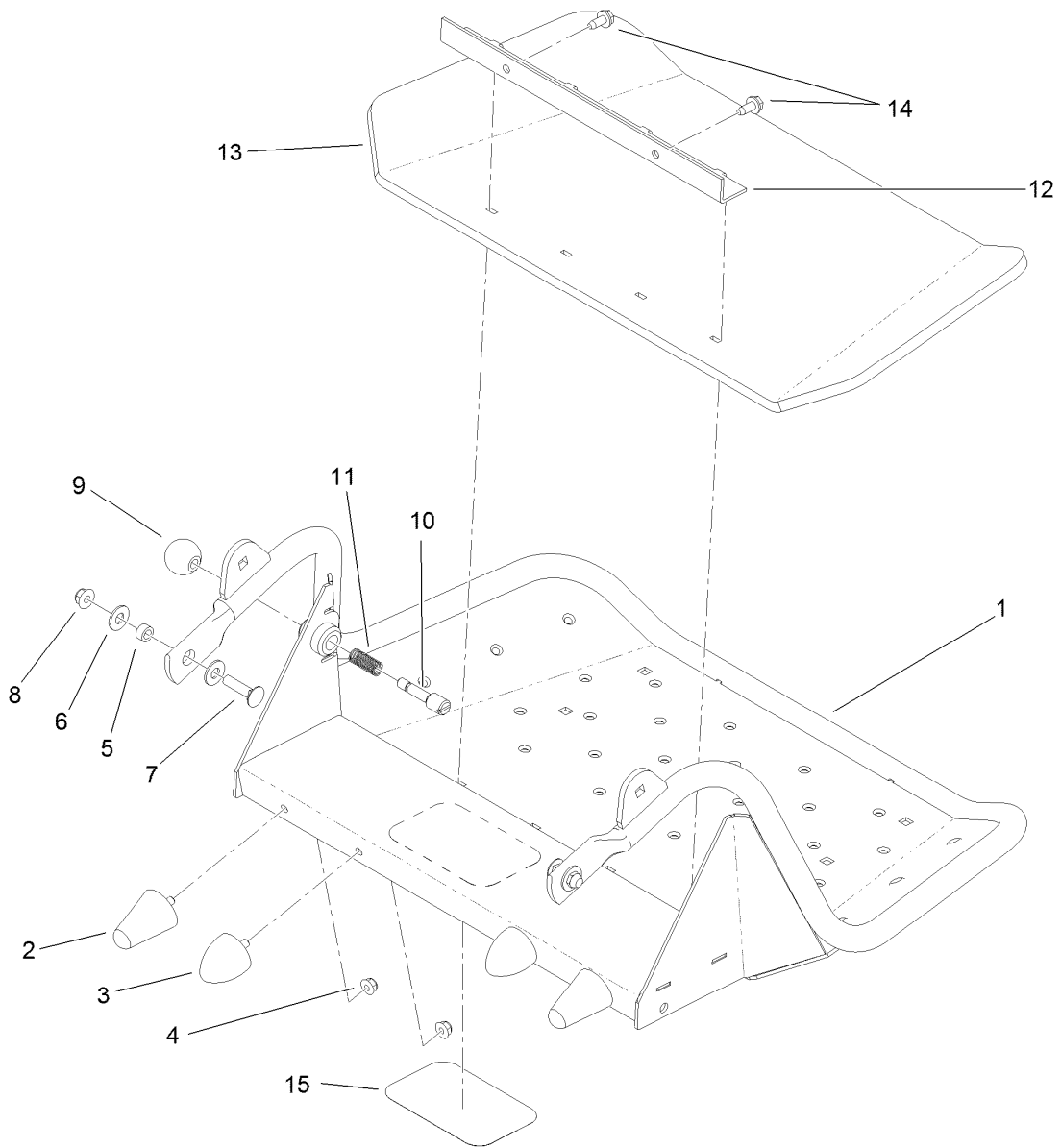
Platform Assembly

| <i>Ref.</i> | <i>Part Number</i> | <i>Qty.</i> | <i>Description</i> |
|-------------|--------------------|-------------|--------------------|
| 1 | 119-8742 | 1 | Cushion ASM |
| 2 | 119-7312 | 1 | Plate-Striker |
| 3 | 3229-11 | 1 | Screw-CARR |
| 4 | 104-7201 | 1 | Nut-HF |
| 5 | 117-9640 | 1 | Platform ASM |



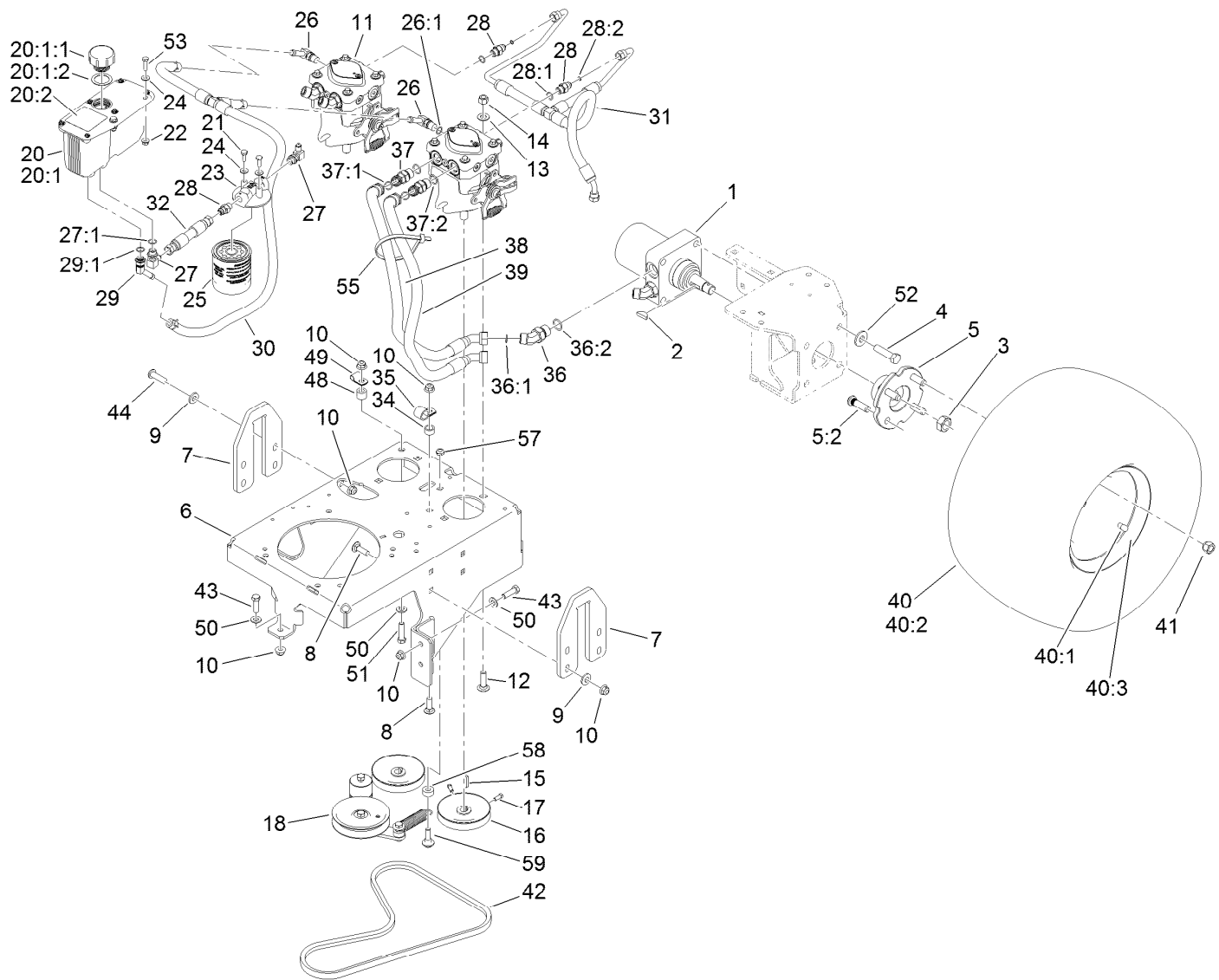
Cushion Assembly No. 119-8742

| Ref. | Part Number | Qty. | Description |
|------|-------------|------|----------------------------|
| 1 | 114-0463 | 4 | Washer-Friction, Composite |
| 2 | 114-1915-01 | 2 | Link-Pad |
| 3 | 119-7369-03 | 1 | Lower Hinge ASM |
| 4 | 114-1919 | 1 | Shield-Rear |
| 5 | 117-9739 | 1 | Pad-Cushion |
| 6 | 116-0648 | 4 | Screw-HH, Thread Locking |
| 7 | 3231-2 | 2 | Screw-CARR |
| 8 | 3256-23 | 4 | Washer-Flat |
| 9 | 3256-4 | 4 | Washer-Flat |
| 10 | 3296-59 | 4 | Nut-Lock, NI |
| 11 | 111044 | 4 | Spacer |
| 12 | 116-2886 | 2 | Slide-Bushing |
| 13 | 3290-355 | 2 | Pin-Hair |
| 14 | 3231-27 | 2 | Screw-CARR |
| 15 | 116-2757-03 | 1 | Hinge-Pad |



Platform Assembly No. 117-9640

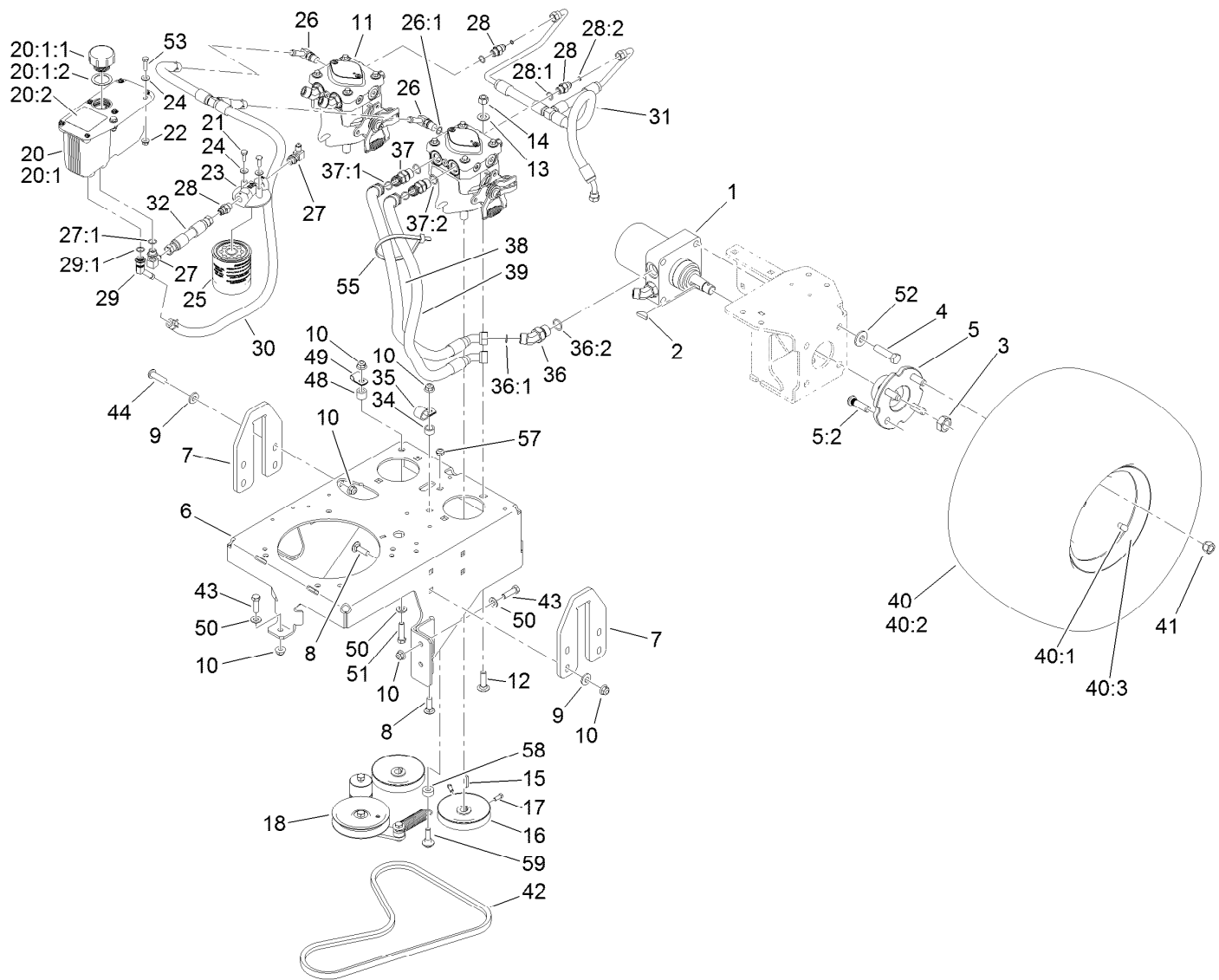
| <i>Ref.</i> | <i>Part Number</i> | <i>Qty.</i> | <i>Description</i> |
|-------------|--------------------|-------------|--------------------|
| 1 | 117-9641-01 | 1 | Platform ASM |
| 2 | 114-1925 | 2 | Bumper-Rubber |
| 3 | 114-1926 | 2 | Bumper-Rubber |
| 4 | 104-8300 | 4 | Nut-Flange, NI |
| 5 | 111044 | 2 | Spacer |
| 6 | 3256-4 | 4 | Washer-Flat |
| 7 | 3231-4 | 2 | Screw-CARR |
| 8 | 104-8301 | 2 | Nut-Flange, NI |
| 9 | 1-603175 | 1 | Knob-Ball |
| 10 | 119-8650 | 1 | Pin-Latch |
| 11 | 114-5348 | 1 | Spring |
| 12 | 114-1920-03 | 1 | Clamp-Shield |
| 13 | 114-5349 | 1 | Mat-Foot |
| 14 | 32144-70 | 2 | Screw-HWHTF |
| 15 | 68-3640 | 1 | Decal |



Ground Drive Assembly

| Ref. | Part Number | Qty. | Description | Ref. | Part Number | Qty. | Description |
|------|-------------|------|--------------------|--------|-------------|------|---------------------------|
| 1 | 114-0549 | 2 | HYD Motor ASM | 20 | 107-8433 | 1 | HYD Reservoir ASM |
| 2 | 3257-8 | 2 | Key-Woodruff | 20:1 | | 1 | Reservoir-HYD ● |
| 3 | 85-7310 | 2 | Nut-Motor, Wheel | 20:1:1 | 103-1948 | 1 | Cap-Reservoir, HYD |
| 4 | 325-8 | 8 | Screw-HH | 20:1:2 | 103-1949 | 1 | Gasket-Cap |
| 5 | 105-0800 | 2 | Wheel Hub ASM | 20:2 | 115-4212 | 1 | Decal-Warning |
| 5:2 | 10-6830 | 4 | Stud-Type, Drive | 21 | 321-4 | 2 | Screw-HH |
| 6 | 119-8710-01 | 1 | Base-Engine | 22 | 32128-32 | 2 | Nut-HHF |
| 7 | 119-8662 | 2 | Plate-Lift | 23 | 104-7836 | 1 | Head-Filter |
| 8 | 3231-25 | 8 | Screw-CARR | 24 | 3256-22 | 4 | Washer-Flat |
| 9 | 98-5975 | 8 | Washer-Belleville | 25 | 114-3494 | 1 | Element-Filter, 25 Micron |
| 10 | 104-8301 | 15 | Nut-Flange, NI | 26 | 100-4887 | 2 | Fitting-Barbed, 90 DEG |
| 11 | 119-7375 | 2 | Hydraulic Pump ASM | 26:1 | 237-42 | 1 | O-Ring |
| 12 | 3232-3 | 4 | Screw-CARR | 27 | 103-1802 | 2 | Fitting-HYD, 90 DEG |
| 13 | 3256-25 | 4 | Washer-Flat | 27:1 | 1-603921 | 1 | O-Ring |
| 14 | 3296-48 | 4 | Nut-Lock, NI | 28 | 103-2156 | 3 | Fitting-Straight |
| 15 | 1-807272 | 2 | Key | 28:1 | 1-603921 | 1 | O-Ring |
| 16 | 105-5648 | 2 | Pulley-Pump | 28:2 | 103-1020 | 1 | O-Ring |
| 17 | 3241-5 | 4 | Screw-Set | 29 | 103-1807 | 1 | Fitting-Barbed, 45 DEG |
| 18 | | 1 | Pump Idler ASM ● | 29:1 | 237-42 | 1 | O-Ring |

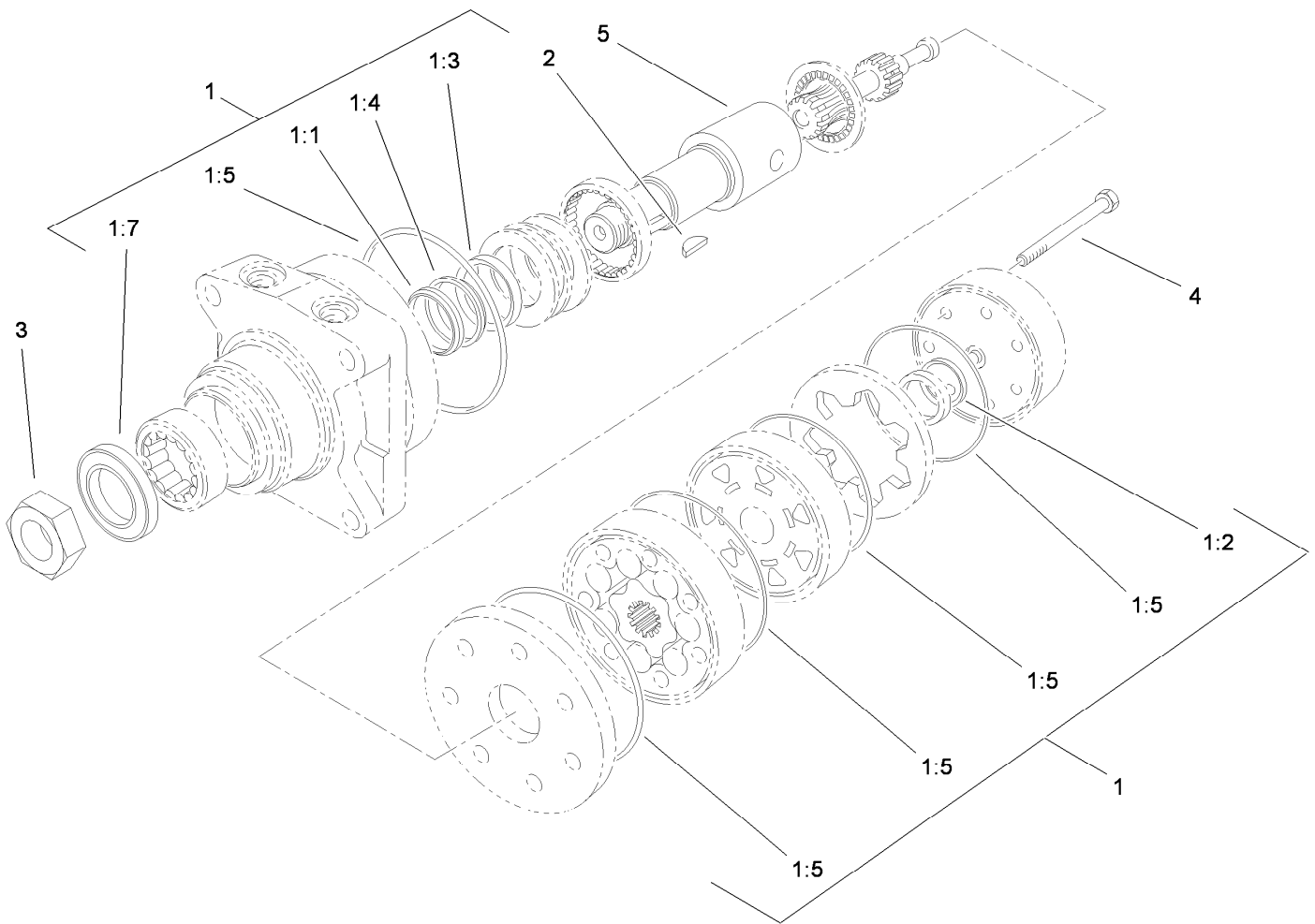
● Not serviced separately



Ground Drive Assembly (continued)

| Ref. | Part Number | Qty. | Description | Ref. | Part Number | Qty. | Description |
|------|-------------|------|---------------------|------|-------------|------|-------------------|
| 30 | 116-2579 | 1 | Tank Hose ASM | 40:3 | 106-8133 | 1 | Rim-8 Inch |
| 31 | 119-8732 | 1 | Charge Hose ASM | 41 | 242-50 | 8 | Nut-Lug |
| 32 | 116-2604 | 1 | HYD Hose ASM | 42 | 114567 | 1 | Belt-V, Lower PTO |
| 34 | 1-653069 | 1 | Spacer-Wheel | 43 | 323-7 | 5 | Screw-HH |
| 35 | 1-633396 | 1 | Clip-Loom | 44 | 3274-63 | 1 | Screw-HSBH |
| 36 | 340-89 | 4 | Fitting-HYD, 45 DEG | 48 | 108326 | 1 | Spacer-Pivot |
| 36:1 | 237-30 | 1 | O-Ring | 49 | 116-3362 | 1 | Clip-Tube |
| 36:2 | 237-80 | 1 | O-Ring | 50 | 3256-24 | 6 | Washer-Flat |
| 37 | 340-101 | 4 | Fitting-HYD, 45 DEG | 51 | 323-8 | 1 | Screw-HH |
| 37:1 | 237-30 | 1 | O-Ring | 52 | 1-513435 | 8 | Washer-Spring |
| 37:2 | 237-79 | 1 | O-Ring | 53 | 321-6 | 2 | Screw-HH |
| 38 | 117-0442 | 2 | HYD Hose ASM | 55 | 103-2446 | 2 | Tie-Plastic |
| 39 | 117-0449 | 2 | HYD Hose ASM | 57 | 3296-59 | 1 | Nut-Lock, NI |
| 40 | 117-0429 | 2 | Wheel ASM | 58 | 104-8426 | 1 | Spacer |
| 40:1 | 232-27 | 1 | Stem-Valve | 59 | 614672 | 1 | Bolt-Shoulder |
| 40:2 | 117-0428 | 1 | Tire | | | | |

● Not serviced separately

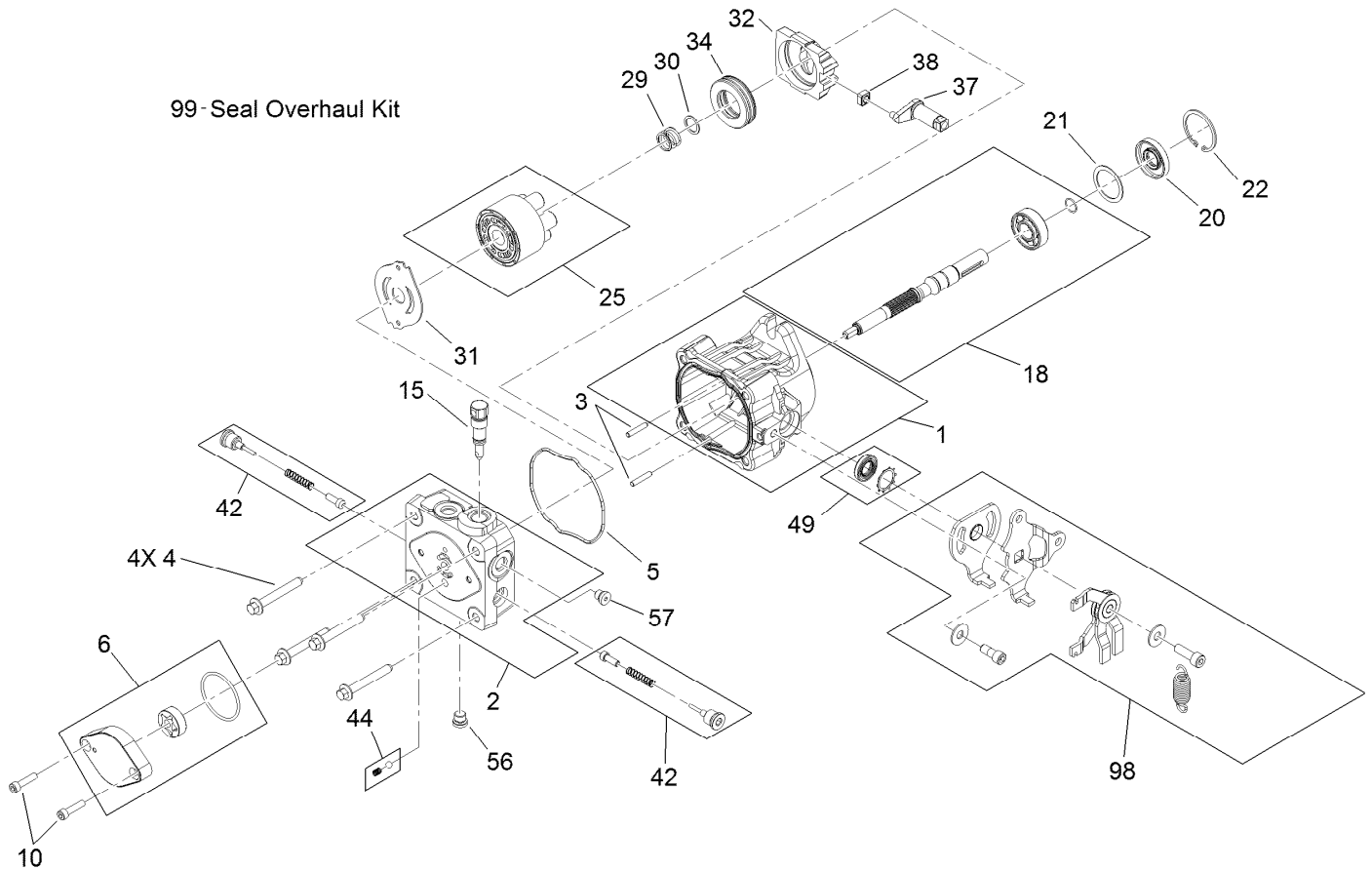


Hydraulic Motor Assembly No. 114-0549

| Ref. | Part Number | Qty. | Description |
|------|-------------|------|-------------------------|
| 1 | 1-000119 | 1 | Seal Kit |
| 1:1 | | 1 | Ring-Back Up ● |
| 1:2 | | 1 | Seal-Commutator ● |
| 1:3 | | 1 | Seal-Shaft (Viton) ● |
| 1:4 | | 1 | Washer-Back Up, Steel ● |
| 1:5 | | 5 | Ring-Seal (Viton) ● |
| 1:7 | | 1 | Seal-Dirt And Water ● |
| 2 | 3257-8 | 1 | Key-Woodruff |
| 3 | 85-7310 | 1 | Nut-Motor, Wheel |
| 4 | 106-5549 | 6 | Bolt-Special |
| 5 | 106-8764 | 1 | Shaft-Coupling |

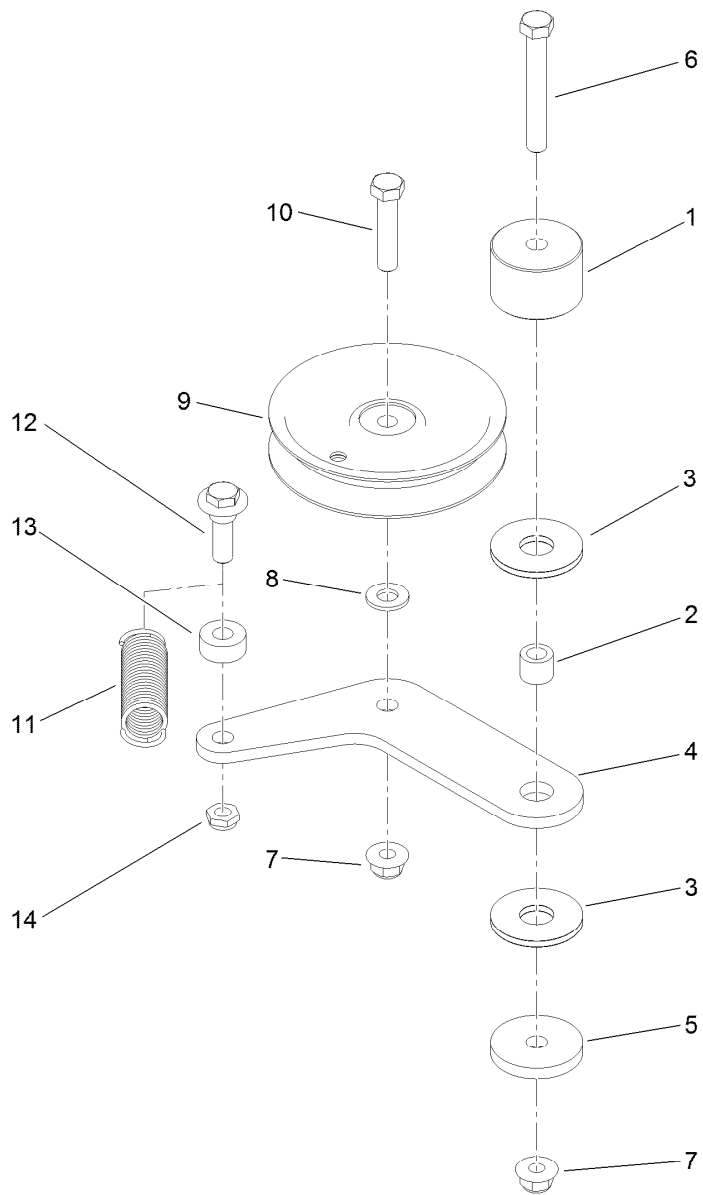
● Not serviced separately

99- Seal Overhaul Kit



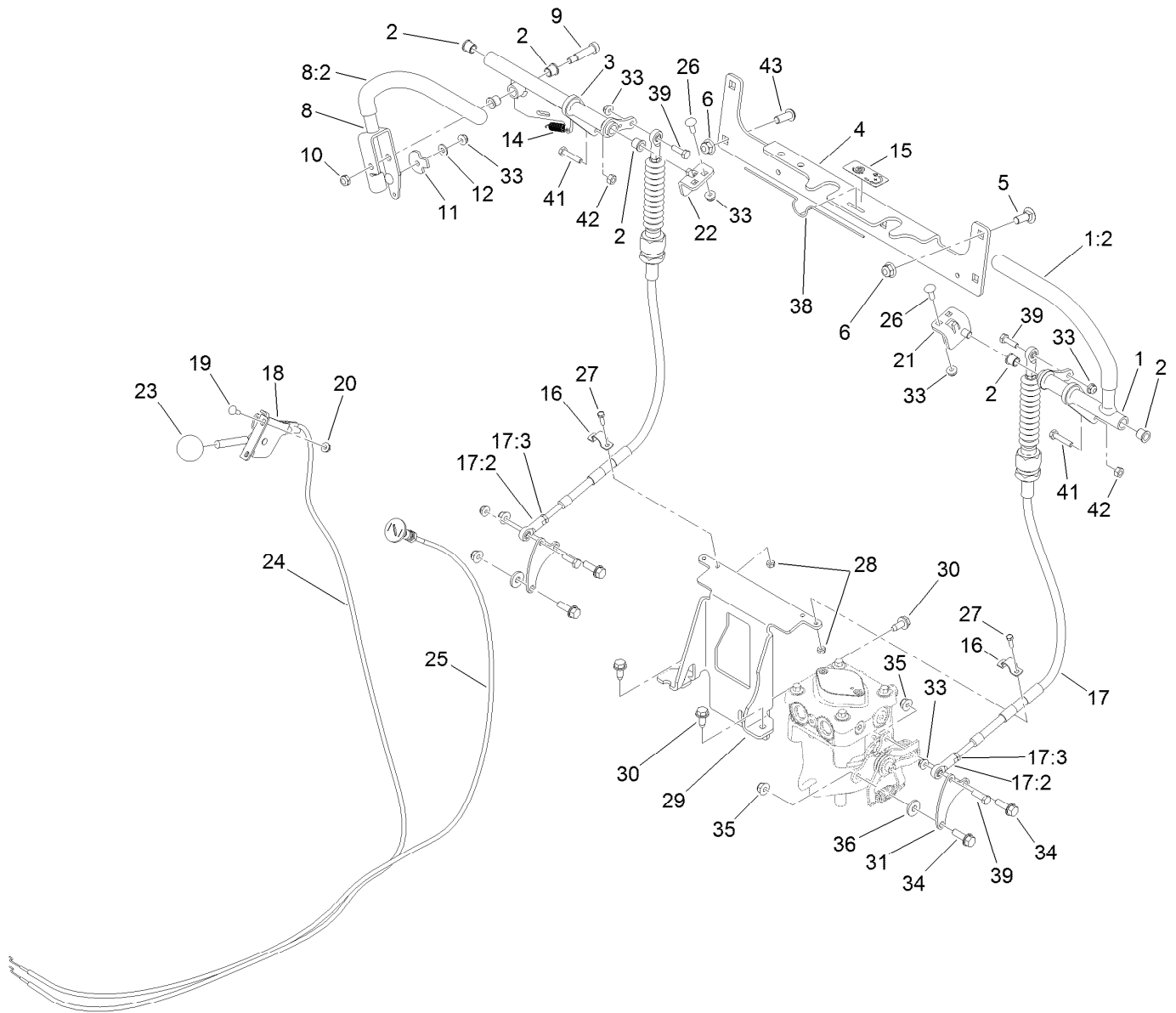
Hydraulic Pump Assembly No. 119-7375

| <i>Ref.</i> | <i>Part Number</i> | <i>Qty.</i> | <i>Description</i> | <i>Ref.</i> | <i>Part Number</i> | <i>Qty.</i> | <i>Description</i> |
|-------------|--------------------|-------------|-------------------------|-------------|--------------------|-------------|------------------------------|
| 1 | 115-4464 | 1 | Housing Kit | 30 | 94-1937 | 1 | Washer-Thrust, Block |
| 2 | 106-8752 | 1 | End Cap Kit (W/Poppets) | 31 | 105-6185 | 1 | Plate-Valve |
| 3 | 106-8753 | 2 | Pin-Headless, Straight | 32 | 94-1907 | 1 | Swashplate-Variable |
| 4 | 106-8754 | 4 | Bolt-HF | 34 | 94-6922 | 1 | Bearing-Thrust |
| 5 | 106-8755 | 1 | O-Ring | 37 | 115-4458 | 1 | Arm-Trunnion, Tapered Square |
| 6 | 106-8756 | 1 | Charge Pump Kit | 38 | 94-1910 | 1 | Guide-Slot |
| 10 | 104-2111 | 2 | Capscrew | 42 | 98-3252 | 2 | Valve-Check (W/Poppet) |
| 15 | 106-8759 | 1 | Bypass Valve Kit | 44 | 106-8760 | 1 | Charge Relief Valve Kit |
| 18 | 103-2664 | 1 | Input Shaft Kit | 49 | 106-8761 | 1 | Trunnion Seal / Retainer Kit |
| 20 | 104-5310 | 1 | Seal-Lip | 56 | 106-8762 | 1 | Plug-HSH |
| 21 | 104-5308 | 1 | Spacer | 57 | 104-2189 | 1 | Plug-Thread, Straight |
| 22 | 104-5309 | 1 | Ring-Retaining | 98 | 115-4046 | 1 | Return Kit |
| 25 | 103-2666 | 1 | Cylinder Block Kit | 99 | 105-6184 | 1 | Seal Overhaul Kit |
| 29 | 94-1936 | 1 | Spring-Block | | | | |



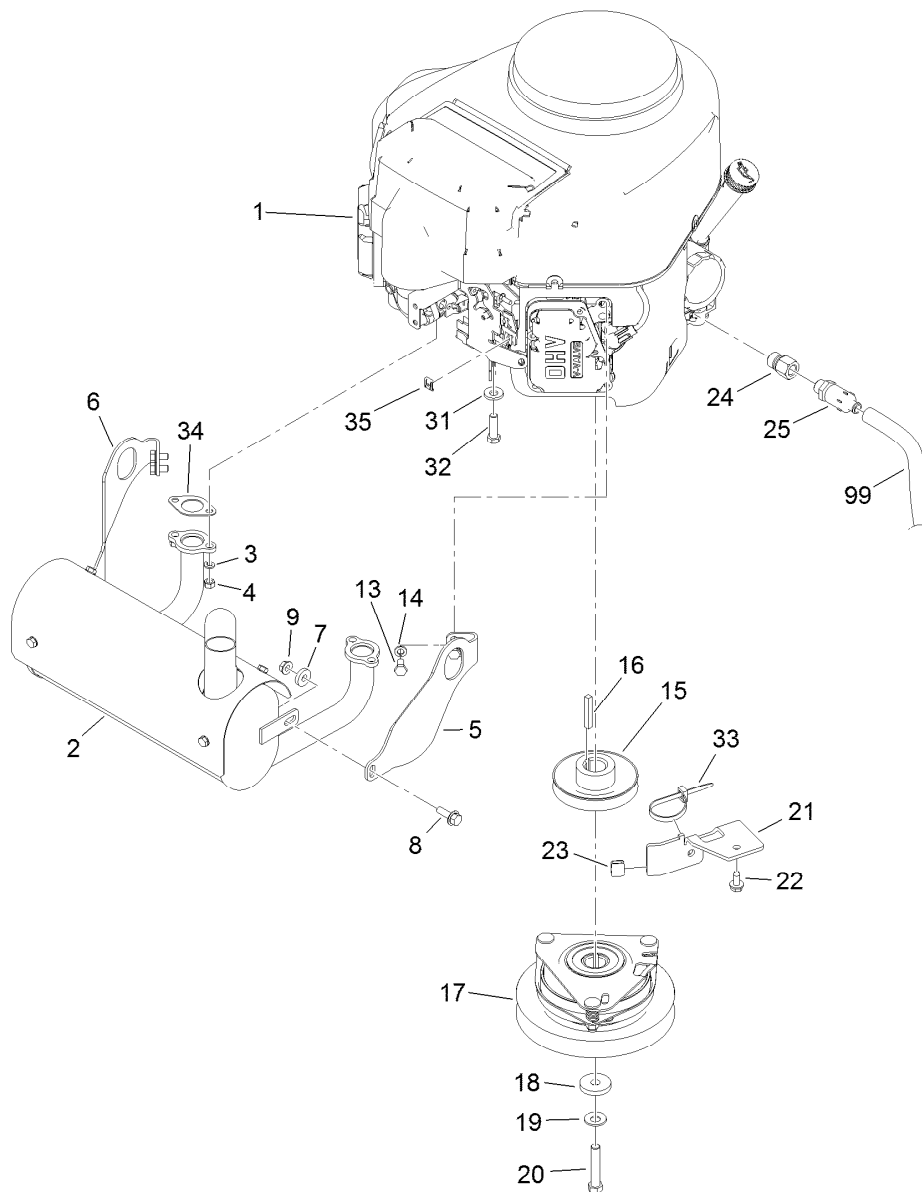
Pump Idler Assembly

| <i>Ref.</i> | <i>Part Number</i> | <i>Qty.</i> | <i>Description</i> |
|-------------|--------------------|-------------|----------------------------|
| 1 | 117-3568 | 1 | Hub-Idler |
| 2 | 1-413088 | 1 | Bushing-Lever, Lift |
| 3 | 114-0463 | 2 | Washer-Friction, Composite |
| 4 | 119-8737 | 1 | Plate-Idler |
| 5 | 110-9981 | 1 | Washer-Plain |
| 6 | 323-13 | 1 | Screw-HH |
| 7 | 104-8301 | 2 | Nut-Flange, NI |
| 8 | 3256-24 | 1 | Washer-Flat |
| 9 | 93-1622 | 1 | Pulley-Idler |
| 10 | 323-9 | 1 | Screw-HH |
| 11 | 108-4056 | 1 | Spring-Extension |
| 12 | 614672 | 1 | Bolt-Shoulder |
| 13 | 104-8426 | 1 | Spacer |
| 14 | 3296-59 | 1 | Nut-Lock, NI |



Control Assembly

| Ref. | Part Number | Qty. | Description | Ref. | Part Number | Qty. | Description |
|------|-------------|------|-----------------------|------|-------------|------|--------------------------|
| 1 | 119-8743 | 1 | LH Lever ASM | 20 | 32128-17 | 2 | Nut-Lock, Flange |
| 1:2 | 119-0222 | 1 | Grip | 21 | 119-8690 | 1 | LH Pivot Tab ASM |
| 2 | 103-9928 | 6 | Bearing | 22 | 119-8718 | 1 | RH Pivot Tab ASM |
| 3 | 119-7353 | 1 | RH Motion Control ASM | 23 | 1-603175 | 1 | Knob-Ball |
| 4 | 119-7359-01 | 1 | Bracket-Cross | 24 | 119-6654 | 1 | Cable-Throttle |
| 5 | 3231-2 | 3 | Screw-CARR | 25 | 119-6655 | 1 | Control-Choke, Push/Pull |
| 6 | 104-8301 | 4 | Nut-Flange, NI | 26 | 3229-1 | 4 | Screw-CARR |
| 8 | 119-1887 | 1 | RH Motion Lever ASM | 27 | 3290-134 | 4 | Screw |
| 8:2 | 119-0222 | 1 | Grip | 28 | 3296-2 | 4 | Nut-Lock, NI |
| 9 | 114-0239 | 1 | Screw-HSH | 29 | 119-7356-01 | 1 | Bracket-Clamp, Cable |
| 10 | 3296-47 | 1 | Nut-Lock, NI | 30 | 32144-70 | 3 | Screw-HWHTF |
| 11 | 114-0268 | 1 | Cam-Lever | 31 | 119-7357 | 2 | Plate-Lever, Pump |
| 12 | 3256-22 | 1 | Washer-Flat | 33 | 104-7201 | 8 | Nut-HF |
| 14 | 114-0249 | 1 | Spring-Extension | 34 | 3234-29 | 4 | Screw-HHF |
| 15 | 119-1854 | 1 | Decal-Tracking, Hydro | 35 | 104-8300 | 4 | Nut-Flange, NI |
| 16 | 119-7370 | 2 | Clamp | 36 | 4-2390 | 2 | Washer-Flat |
| 17 | 119-7366 | 2 | Cable ASM | 38 | 114-0433 | 1 | Clip-Spring |
| 17:2 | 119-7379 | 2 | Rod-Ball Joint | 39 | 321-5 | 4 | Screw-HH |
| 17:3 | 3220-1 | 3 | Nut-Jam | 41 | 114-0282 | 2 | Screw-HH |
| 18 | 110-5547 | 1 | Control Lever ASM | 42 | 3217-5 | 2 | Nut-Hex |
| 19 | 1-807533 | 2 | Bolt-CARR | 43 | 3274-94 | 1 | Screw-HSBH |



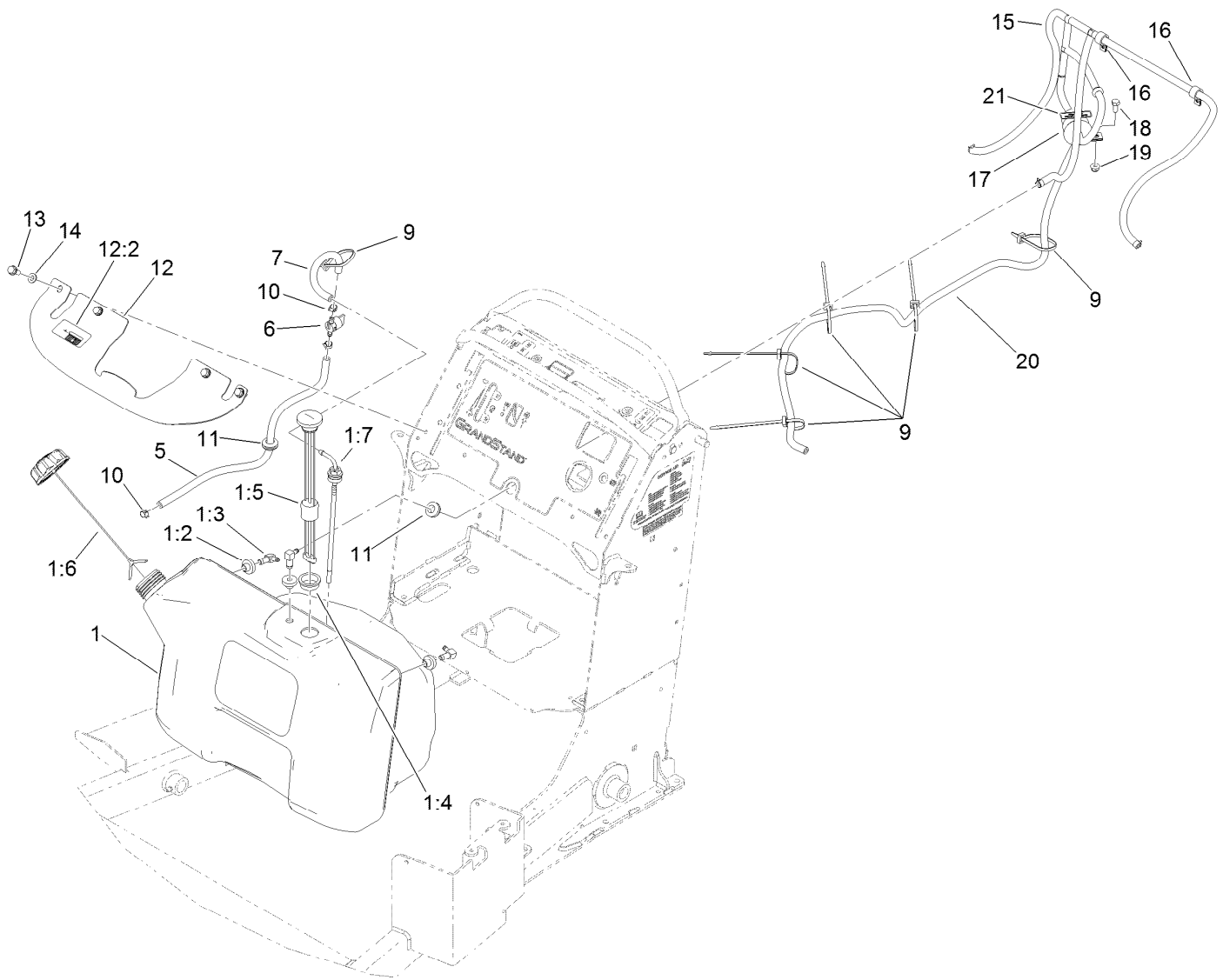
Engine Assembly

| Ref. | Part Number | Qty. | Description |
|------|-------------|------|---------------------------------|
| 1 | | 1 | Engine-Kawasaki, Fs691V-Cs06 ●■ |
| 2 | 116-2352 | 1 | Muffler |
| 3 | 114-3550 | 4 | Washer-Lock, Spring |
| 4 | 114-3549 | 4 | Nut |
| 5 | 116-2353 | 1 | Bracket-Muffler Mount, LH |
| 6 | 116-2354 | 1 | Bracket-Muffler Mount, RH |
| 7 | 104-7658 | 2 | Spacer |
| 8 | 3234-29 | 2 | Screw-HHF |
| 9 | 32128-25 | 2 | Nut-HF |
| 13 | 33114-016 | 4 | Screw-HH |
| 14 | 3253-4 | 4 | Washer-Lock |
| 15 | 112-7067 | 1 | Pulley |
| 16 | 608006 | 1 | Key-Square |
| 17 | 105-2635 | 1 | Clutch / Brake ASM |

| Ref. | Part Number | Qty. | Description |
|------|-------------|------|-------------------|
| 18 | 107-4136 | 1 | Washer |
| 19 | 1-603610 | 1 | Washer-Spring |
| 20 | 3212-9 | 1 | Screw-HH |
| 21 | 117-9708-01 | 1 | Bracket-Stop, PTO |
| 22 | 32144-70 | 1 | Screw-HWHTF |
| 23 | 109-3765 | 1 | Bumper |
| 24 | 103-1966 | 1 | Adapter |
| 25 | 92-6877 | 1 | Valve-Drain, Oil |
| 31 | 98-5975 | 4 | Washer-Belleville |
| 32 | 323-7 | 4 | Screw-HH |
| 33 | 3290-378 | 1 | Tie-Cable |
| 34 | 1-653313 | 2 | Gasket-Exhaust |
| 35 | 81-1690 | 1 | Clamp-Cable |
| 99 | 103-1964 | 1 | Hose-Drain, Oil |

● Not serviced separately

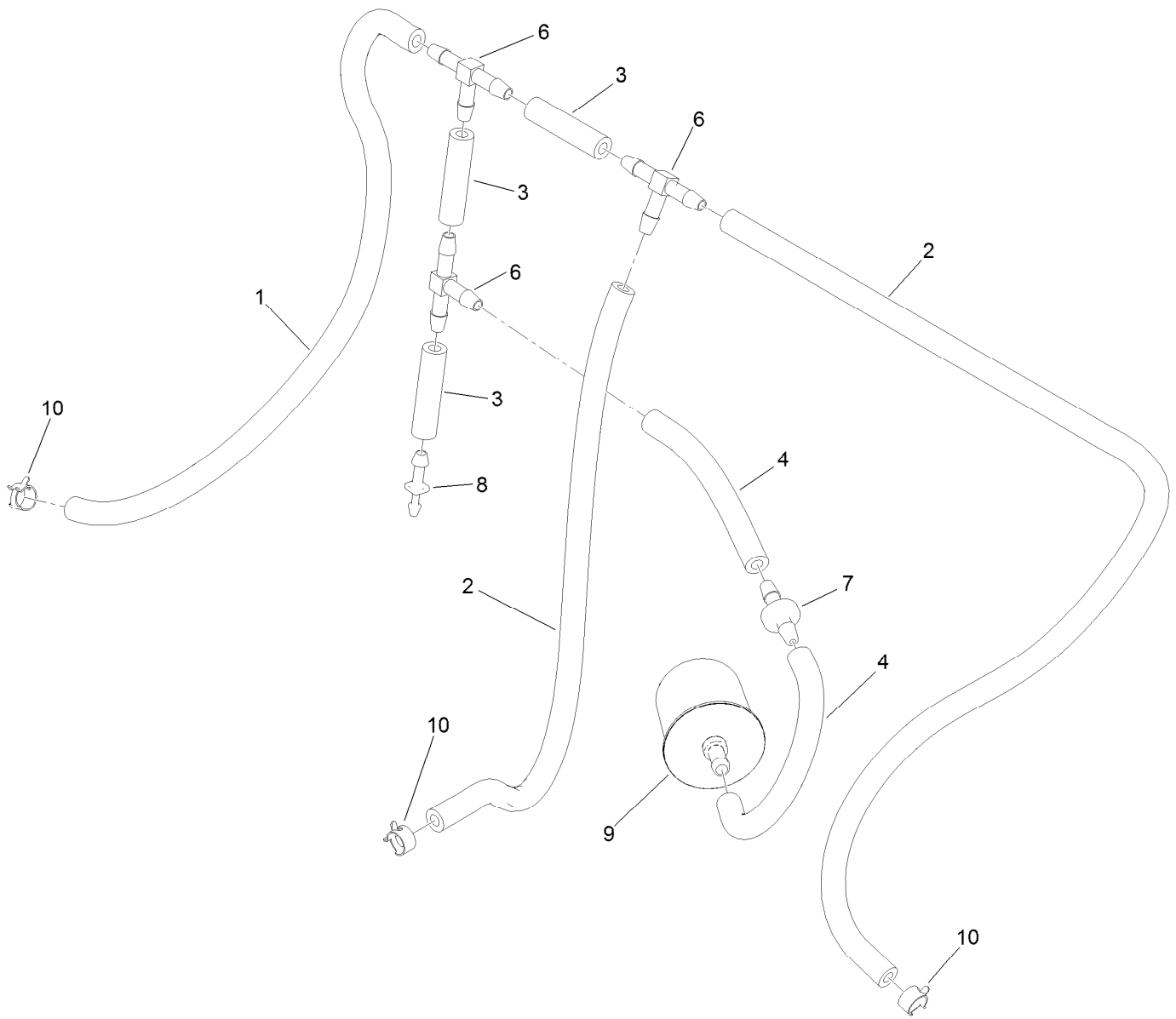
■ Obtain parts from www.kawpowerepc.com



Fuel Tank Assembly

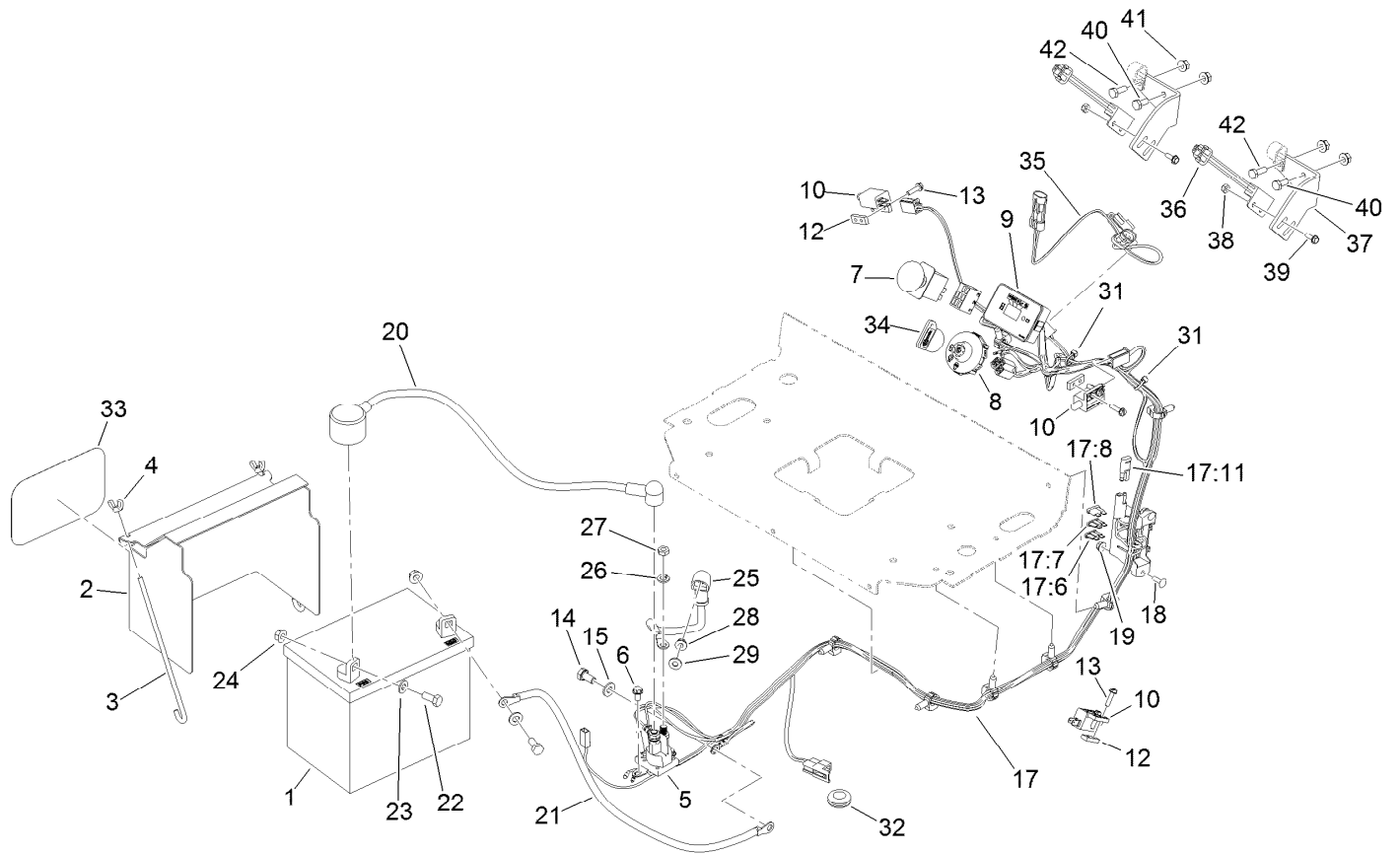
| Ref. | Part Number | Qty. | Description | Ref. | Part Number | Qty. | Description |
|------|-------------|------|------------------------|------|-------------|------|-------------------------|
| 1 | 119-7340 | 1 | Tank ASM | 11 | 112-7069 | 2 | Grommet |
| 1:2 | 46-6560 | 3 | Bushing | 12 | 119-8740 | 1 | Bracket-Tank |
| 1:3 | 1-643172 | 3 | Elbow-90 DEG | 12:2 | 116-3290 | 1 | Decal-Fill, Fuel |
| 1:4 | 95-8972 | 1 | Grommet | 13 | 32144-11 | 4 | Screw-HWHTF |
| 1:5 | 117-9719 | 1 | Guage-Fuel | 14 | 3256-70 | 4 | Washer-Flat |
| 1:6 | 116-1704 | 1 | Cap-Fuel, Ratcheting | 15 | | 1 | Vent Hose ASM ● |
| 1:7 | 116-3408 | 1 | Fitting-Fuel, Bulkhead | 16 | 2412-87 | 2 | Clamp-Cable |
| 5 | 110-5701 | 1 | Hose-Fuel | 17 | 2412-96 | 1 | Clamp-R |
| 6 | 1-603770 | 1 | Valve-Fuel | 18 | 322-3 | 1 | Screw-HH |
| 7 | 109-0297 | 1 | Hose-Fuel | 19 | 104-8300 | 1 | Nut-Flange, NI |
| 9 | 3290-378 | 6 | Tie-Cable | 20 | 119-6073 | 1 | Hose-Fuel |
| 10 | 2412-98 | 4 | Clamp | 21 | 116-4769 | 1 | Decal-Filter, Emissions |

● Not serviced separately



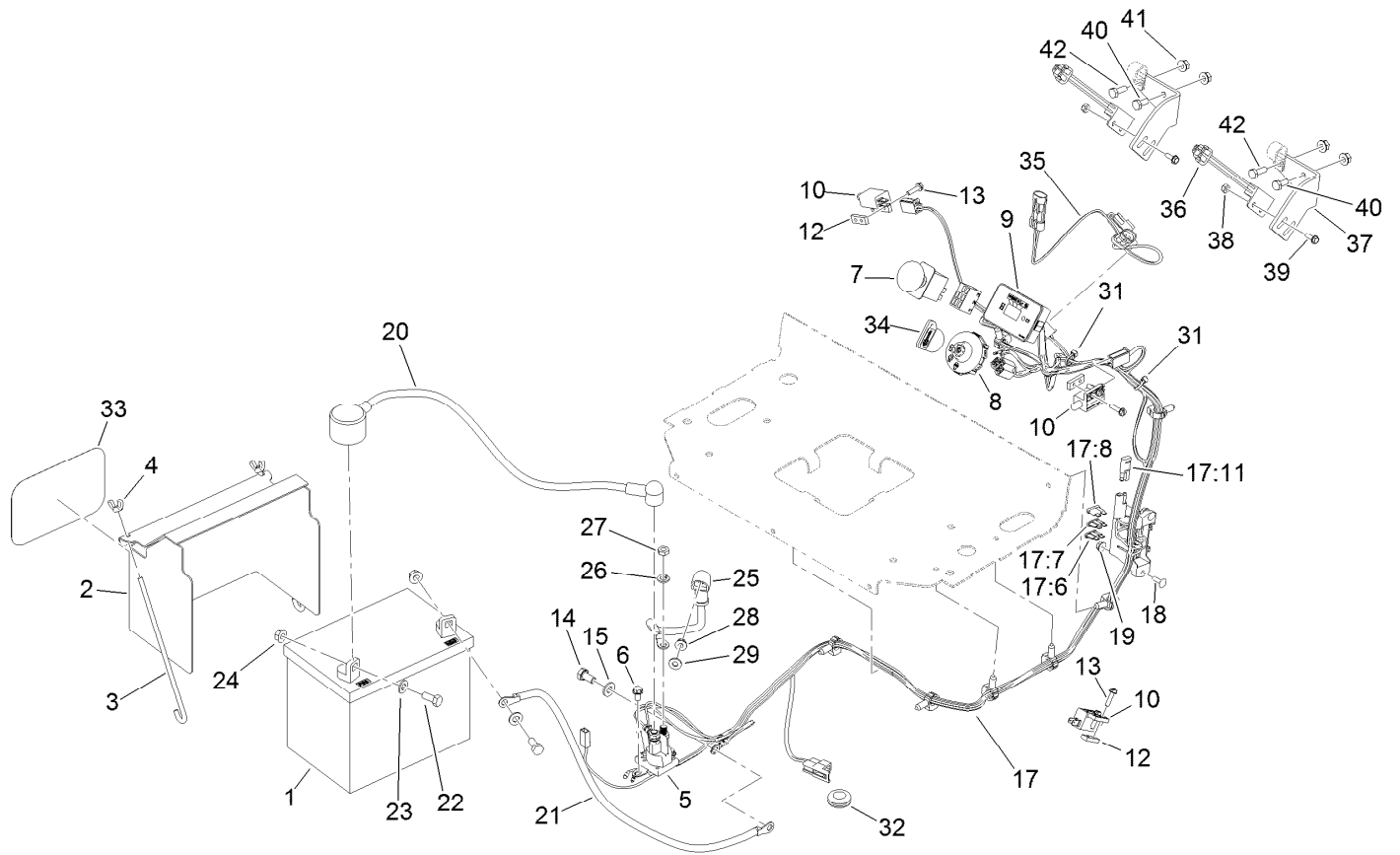
Vent Hose Assembly

| <i>Ref.</i> | <i>Part Number</i> | <i>Qty.</i> | <i>Description</i> |
|-------------|--------------------|-------------|---------------------|
| 1 | 109-3491 | 1 | Hose-Fuel |
| 2 | 109-0299 | 2 | Hose-Fuel |
| 3 | 119-7856 | 3 | Hose-Fuel |
| 4 | 109-0295 | 2 | Hose-Fuel |
| 6 | 99-5005 | 3 | Fitting-Tee, Barbed |
| 7 | 99-5000 | 1 | Valve-Check, Fuel |
| 8 | 106-8150 | 1 | Fitting-Straight |
| 9 | 120-2235 | 1 | Filter-Air |
| 10 | 2412-98 | 3 | Clamp |



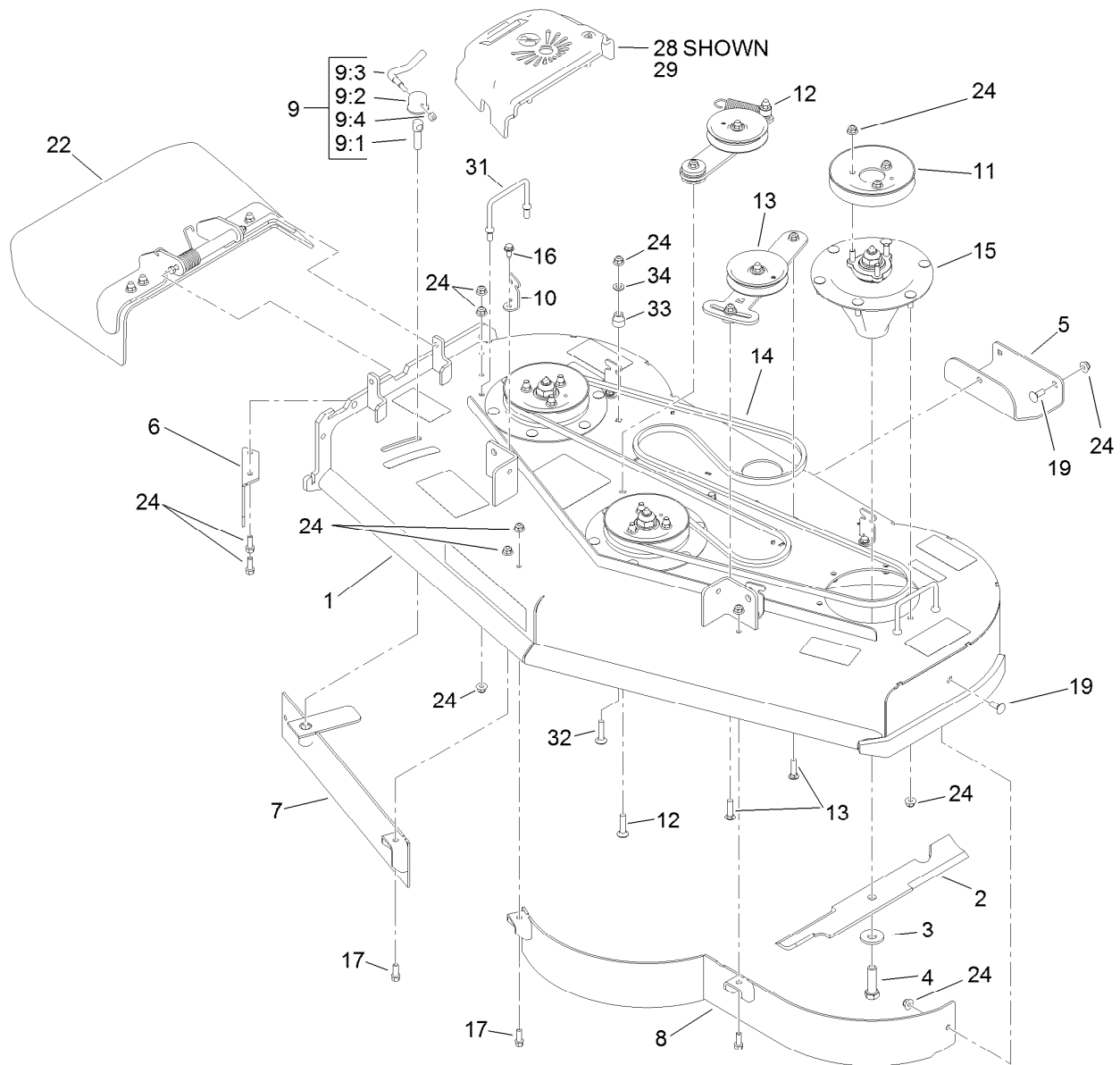
Electrical Assembly

| Ref. | Part Number | Qty. | Description | Ref. | Part Number | Qty. | Description |
|-------|-------------|------|-------------------------|------|-------------|------|-------------------------|
| 1 | 104-2491 | 1 | Battery | 20 | 115-3864 | 1 | Cable-Battery, Positive |
| 2 | 117-0543-01 | 1 | Cover-Battery | 21 | 105-0836 | 1 | Cable-Battery, Black |
| 3 | 1-633651 | 2 | Bolt-Holddown | 22 | 322-3 | 2 | Screw-HH |
| 4 | 1-543792 | 2 | Wingnut | 23 | 3256-23 | 2 | Washer-Flat |
| 5 | 117-1197 | 1 | Solenoid | 24 | 109-5715 | 2 | Nut-HHF, Smooth |
| 6 | 32144-4 | 2 | Screw-HWH | 25 | 106-8268 | 1 | Cable-Battery, Red |
| 7 | 114-0279 | 1 | Switch-PTO | 26 | 3253-4 | 2 | Washer-Lock |
| 8 | 117-2222 | 1 | Switch-Ignition | 27 | 3220-2 | 2 | Nut-Jam |
| 9 | 115-4180 | 1 | Module-Meter, Hour | 28 | 32128-33 | 1 | Nut-HF |
| 10 | 1-513152 | 2 | Switch-Closed, Normally | 29 | 3256-22 | 1 | Washer-Flat |
| 12 | 1-633181 | 2 | Plate-Tapped | 31 | 1-303287 | 2 | Tie-Cable |
| 13 | 32105-13 | 4 | Screw-HWH | 32 | 112-7069 | 1 | Grommet |
| 14 | 33114-016 | 1 | Screw-HH | 33 | 68-3640 | 1 | Decal |
| 15 | 33094-00 | 1 | Washer-Plain | 34 | 63-8360 | 1 | Key-Ignition |
| 17 | 116-2662 | 1 | Harness-Wiring | 35 | 119-8729 | 1 | Harness-Wire, Neutral |
| 17:6 | 109103 | 1 | Fuse-Blade, 30 Amp | | | | Switch |
| 17:7 | 109102 | 1 | Fuse-Blade, 25 Amp | 36 | 105-0023 | 2 | Switch-Proximity |
| 17:8 | 218-578 | 1 | Fuse-Blade, 10 Amp | 37 | 119-8503-01 | 2 | Bracket-Mount, Switch |
| 17:11 | 116-0053 | 1 | Cap-Plug | 38 | 3296-2 | 4 | Nut-Lock, NI |
| 18 | 1-807533 | 2 | Bolt-CARR | 39 | 32105-23 | 4 | Screw |
| 19 | 3290-148 | 2 | Nut-HF | 40 | 321-3 | 2 | Screw-HH |



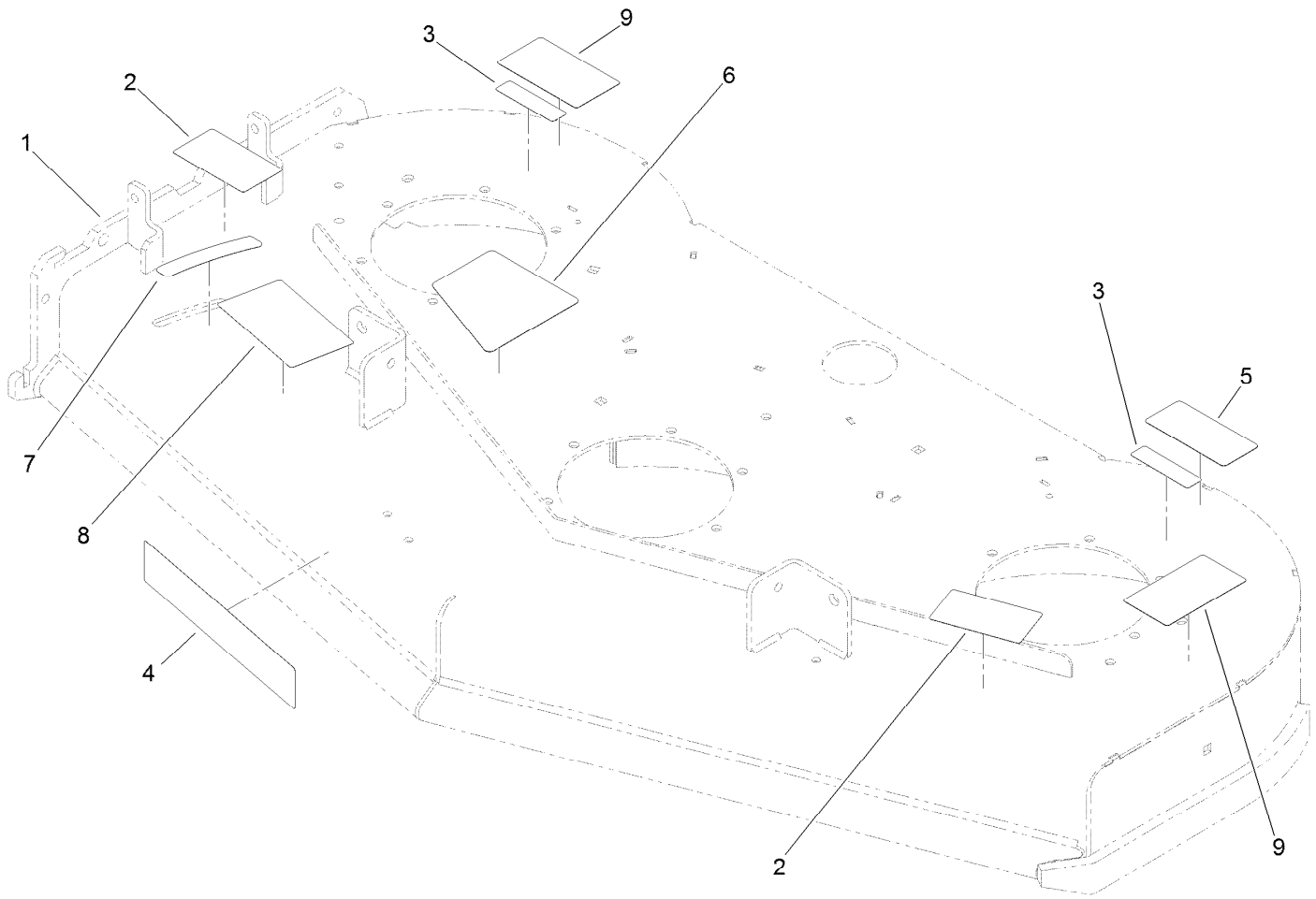
Electrical Assembly (continued)

| <i>Ref.</i> | <i>Part Number</i> | <i>Qty.</i> | <i>Description</i> |
|-------------|--------------------|-------------|--------------------|
| 41 | 32128-32 | 4 | Nut-HHF |
| 42 | 321-4 | 2 | Screw-HH |



Deck Assembly

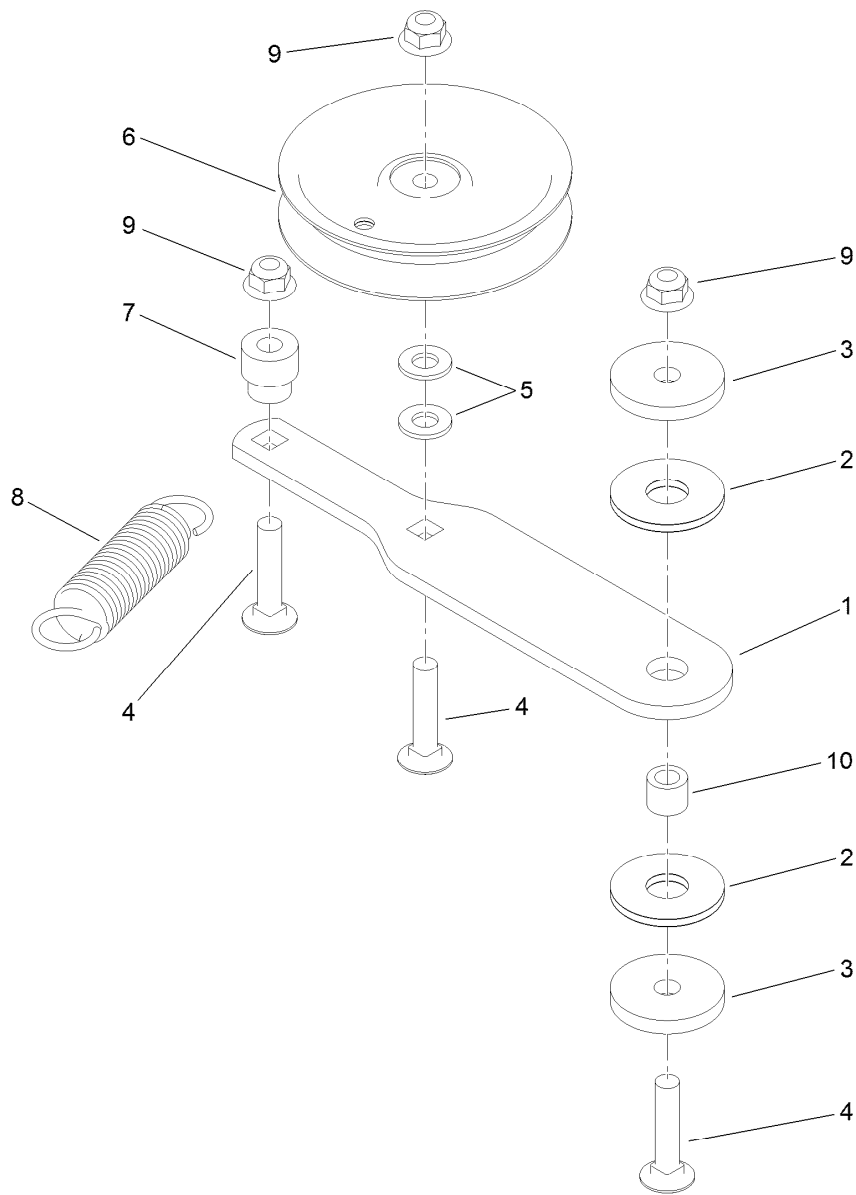
| Ref. | Part Number | Qty. | Description | Ref. | Part Number | Qty. | Description |
|------|-------------|------|--------------------------|------|-------------|------|------------------|
| 1 | 120-6405 | 1 | Deck ASM | 12 | 120-6410 | 1 | Idler Arm ASM |
| 2 | 105-7781-03 | 3 | Blade-18 Inch (Hi Flow) | 13 | 117-0446 | 1 | Idler Adjust ASM |
| 3 | 103-0865 | 3 | Washer-Blade Bolt, Heavy | 14 | 114-0454 | 1 | Belt-V |
| 4 | 51-4060 | 3 | Screw-Blade | 15 | 119-8560 | 3 | Spindle ASM |
| 5 | 114-1908-01 | 1 | Skid | 16 | 32144-70 | 4 | Screw-HWHTF |
| 6 | 106-3216-01 | 1 | Baffle-Discharge | 17 | 92-1624 | 5 | Screw-HWH |
| 7 | 114-1870-01 | 1 | Baffle ASM | 19 | 3231-2 | 4 | Screw-CARR |
| 8 | 114-1979-01 | 1 | 52 Inch Baffle ASM | 22 | 114-1910 | 1 | Deflector ASM |
| 9 | 107-1664 | 1 | Lever ASM | 24 | 104-8301 | 41 | Nut-Flange, NI |
| 9:1 | 106-3239 | 1 | Screw-Lock | 28 | 120-6431 | 1 | Cover-Belt, RH |
| 9:2 | 107-1644 | 1 | Cap-Lock | 29 | 120-6423 | 1 | Cover-Belt |
| 9:3 | 106-3241 | 1 | Lever-Lock | 31 | 109-6982 | 2 | Wireform-Cover |
| 9:4 | 3296-29 | 1 | Nut-Lock, NI | 32 | 3231-5 | 1 | Screw-CARR |
| 10 | 117-5758-03 | 4 | Bracket-Cover | 33 | 1-603496 | 1 | Bushing-Idler |
| 11 | 120-6433 | 3 | Pulley | 34 | 3256-24 | 1 | Washer-Flat |



Deck Decal Assembly No. 120-6405

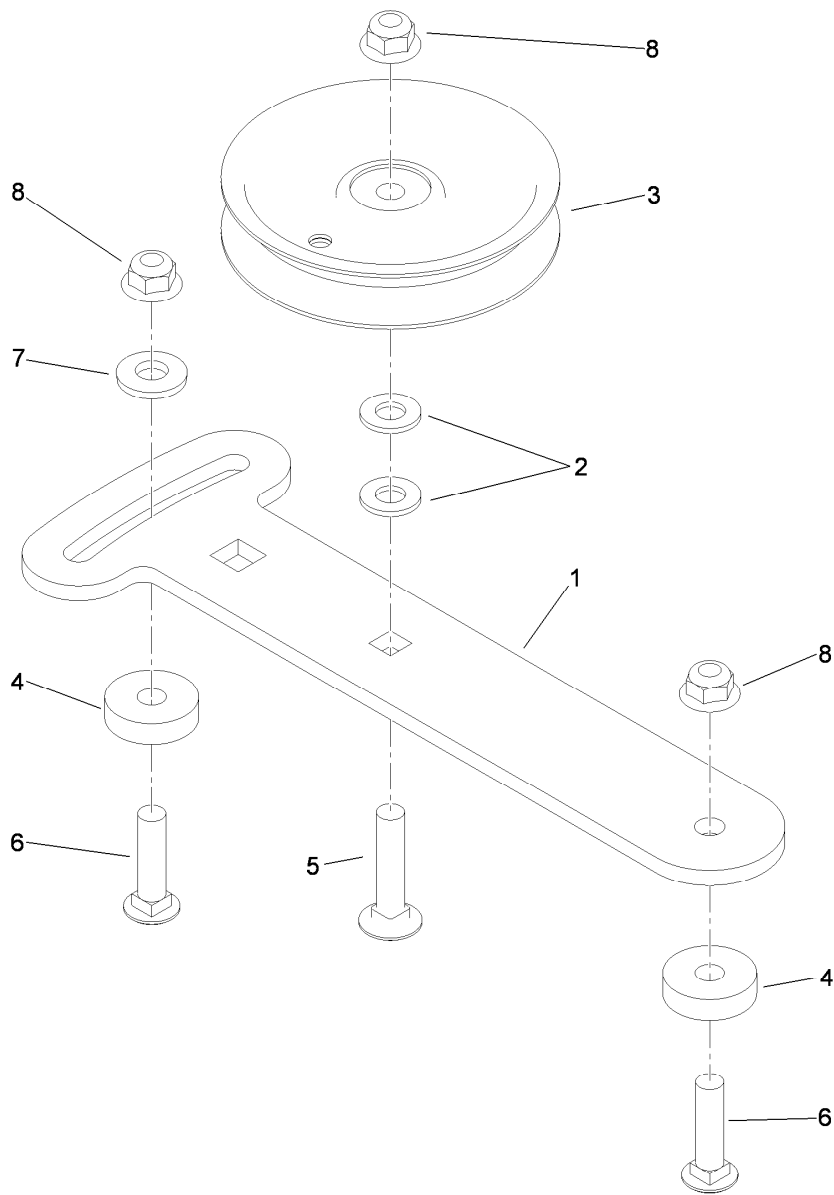
| <i>Ref.</i> | <i>Part Number</i> | <i>Qty.</i> | <i>Description</i> |
|-------------|--------------------|-------------|------------------------------|
| 1 | | 1 | Deck ASM ● |
| 2 | 93-7010 | 2 | Decal-Danger |
| 3 | 119-0217 | 2 | Decal-Danger |
| 4 | 107-1618 | 1 | Decal |
| 5 | 93-7818 | 1 | Decal-Torque, Blade Bolt |
| 6 | 120-6412 | 1 | Decal-Belt Tension, Ce |
| 7 | 110-2067 | 1 | Decal-Setting, Baffle |
| 8 | 110-2068 | 1 | Decal-Adjustment, Baffle |
| 9 | 120-6424 | 2 | Decal-Danger, Rotating Parts |

● Not serviced separately



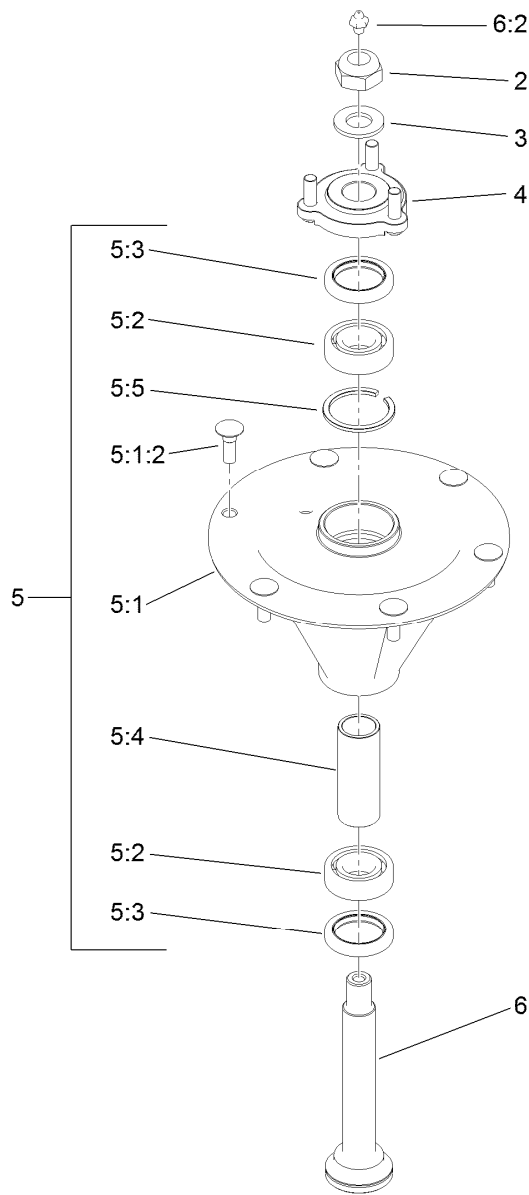
Idler Arm Assembly No. 120-6410

| Ref. | Part Number | Qty. | Description |
|------|-------------|------|----------------------------|
| 1 | 120-6409 | 1 | Arm-Idler |
| 2 | 114-0463 | 2 | Washer-Friction, Composite |
| 3 | 110-9981 | 2 | Washer-Plain |
| 4 | 3231-5 | 3 | Screw-CARR |
| 5 | 3256-24 | 2 | Washer-Flat |
| 6 | 93-1622 | 1 | Pulley-Idler |
| 7 | 1-603496 | 1 | Bushing-Idler |
| 8 | 1-603402 | 1 | Spring-Extension |
| 9 | 104-8301 | 3 | Nut-Flange, NI |
| 10 | 1-413088 | 1 | Bushing-Lever, Lift |



Idler Adjust Assembly No. 117-0446

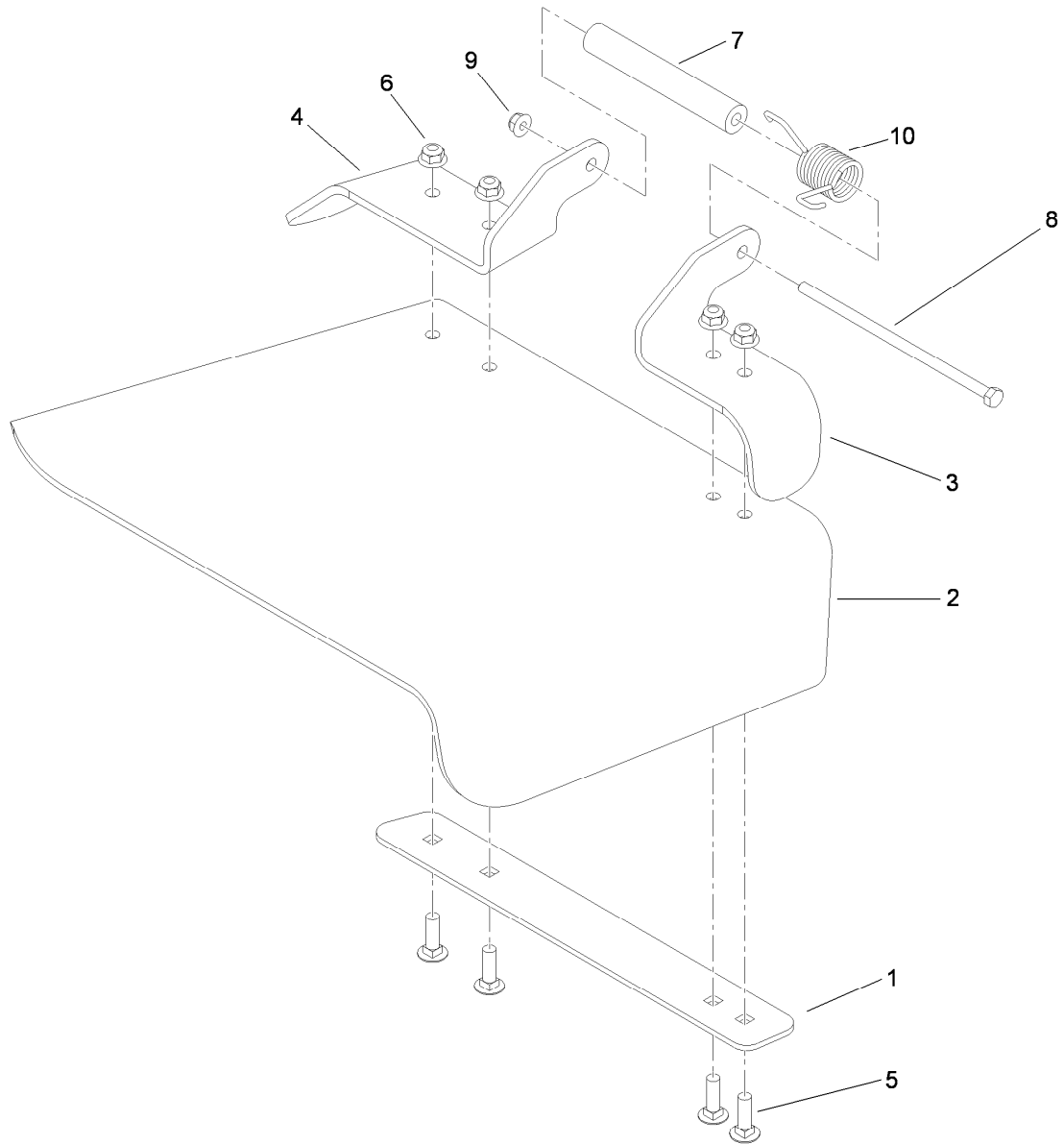
| <i>Ref.</i> | <i>Part Number</i> | <i>Qty.</i> | <i>Description</i> |
|-------------|--------------------|-------------|--------------------|
| 1 | 114-1991 | 1 | Plate-Idler |
| 2 | 3256-24 | 2 | Washer-Flat |
| 3 | 93-1622 | 1 | Pulley-Idler |
| 4 | 105-7788 | 2 | Spacer |
| 5 | 3231-5 | 1 | Screw-CARR |
| 6 | 3231-4 | 2 | Screw-CARR |
| 7 | 98-5975 | 1 | Washer-Belleville |
| 8 | 104-8301 | 3 | Nut-Flange, NI |



Spindle Assembly No. 119-8560

| Ref. | Part Number | Qty. | Description |
|-------|-------------|------|---------------------------------|
| 2 | 3296-67 | 1 | Nut-Lock, NI |
| 3 | 92-5836 | 1 | Washer |
| 4 | 117-6172 | 1 | Spindle Hub ASM |
| 5 | | 1 | Spindle Housing ASM ● |
| 5:1 | | 1 | Spindle Housing And Studs ASM ● |
| 5:1:2 | 114-8195 | 6 | Bolt-Ribbed Neck |
| 5:2 | 119-8554 | 2 | Bearing -Noseal |
| 5:3 | 253-133 | 2 | Seal-Oil |
| 5:4 | 117-6184 | 1 | Spacer |
| 5:5 | 119-8532 | 1 | Snap Ring |
| 6 | 119-8527 | 1 | Spindle Shaft And Zerk ASM |
| 6:2 | 302-2 | 1 | Fitting-Grease |

● Not serviced separately



Deflector Assembly No. 114-1910

| Ref. | Part Number | Qty. | Description |
|------|-------------|------|----------------------|
| 1 | 106-3248-03 | 1 | Strap-Discharge |
| 2 | 110-0759 | 1 | Deflector-Rubber |
| 3 | 108-7766-03 | 1 | Bracket-Hinge, Front |
| 4 | 108-7767-03 | 1 | Bracket-Hinge, Rear |
| 5 | 3231-25 | 4 | Screw-CARR |
| 6 | 104-8301 | 4 | Nut-Flange, NI |
| 7 | 105-4622 | 1 | Spacer |
| 8 | 322-50 | 1 | Screw-HH |
| 9 | 104-8300 | 1 | Nut-Flange, NI |
| 10 | 108-4052 | 1 | Spring-Torsion |

Attachments and Accessories

For 74549 GrandStand Mower With 52in TURBO FORCE Cutting Unit

| Product Name | Model/Part |
|--|-------------------|
| Blade-Recycler, 18 inch | 105-7779-03 |
| Blade-Hi Flow, 18 Inch | 105-7781-03 |
| Blade-Med Flow, 18 inch..... | 105-7794-03 |
| Blade-Low Flow, 18 inch..... | 105-7795-03 |
| Blade-Atomic, 18 inch..... | 105-7796-03 |
| Turbo Baffle Kit | 107-1634 |
| Blade-Hi Flow, 18 inch (6 Pack) | 108-1117 |
| Blade-Atomic, 18 inch (6 Pack)..... | 108-1118 |
| Blade-Lo Flow, 18 inch (6 Pack) | 110-0406 |
| Blade-Recycler, 18 inch (6 Pack)..... | 110-0408 |
| Blade-Med Flow, 18 inch (6 Pack) | 110-0409 |
| Weight-Cast..... | 112-7059-01 |
| Light Kit..... | 114-3505 |
| Striping Kit | 114-3521 |
| Hypr-Oil 500 (quart)..... | 114-4713 |
| Hypr-Oil 500 (gallon)..... | 114-4714 |
| Hypr-Oil 500-5 (5 gallon)..... | 114-4715 |
| Recycler Kit | 117-0541 |
| Weight Kit | 117-3620 |
| Chute Gate Kit With Bag..... | 119-7292 |
| Trash Bag ASM | 119-7293 |
| Speed Control Kit..... | 119-7390 |
| Soft Bag (3 Bushel)..... | 30104 |

Notes:



Count on it.