



Count on it.

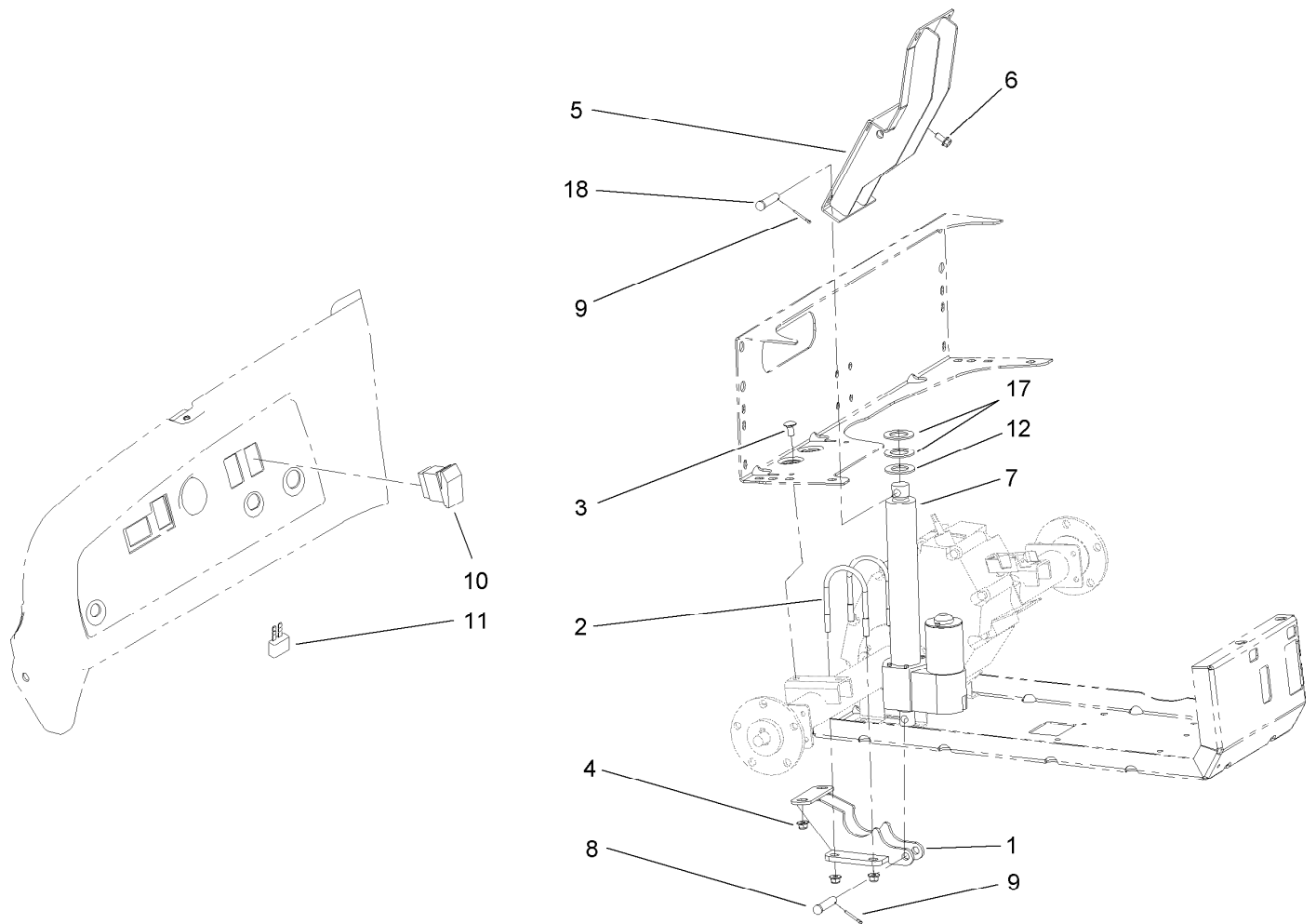
Parts Catalog

Electric Bed Lift Kit

Workman® 1100/2100 and Twister® Utility Vehicle

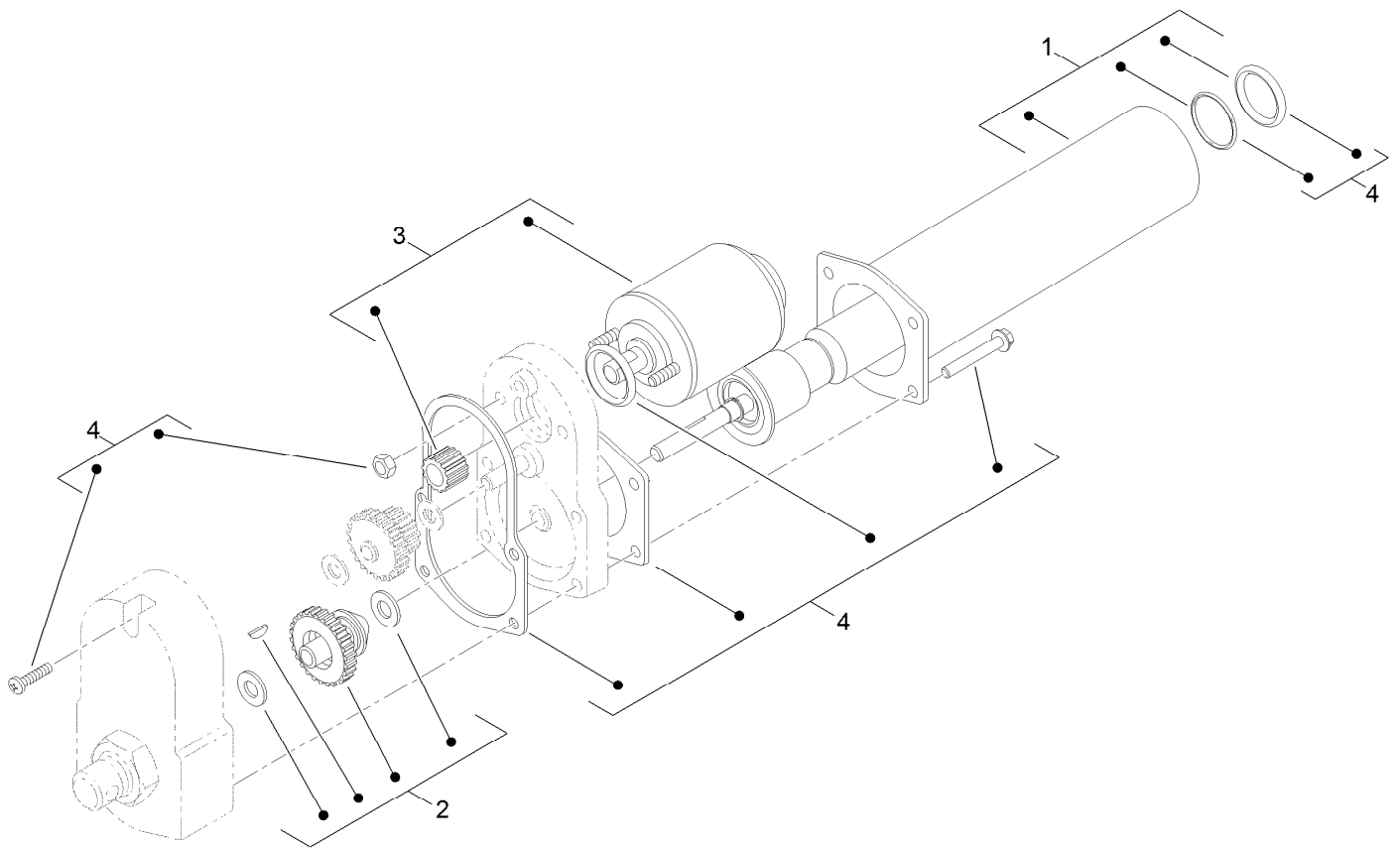
Model No. 07259

Model No. 07259R



Electric Bed Lift Assembly

<i>Ref.</i>	<i>Part Number</i>	<i>Qty.</i>	<i>Description</i>
1	108-6966-03	1	Support-Cylinder, Lift
2	99-7759	2	U-Bolt
3	3231-30	2	Screw-CARR
4	104-8301	6	Nut-Flange, NI
5	108-6996-03	1	Lift Bracket ASM
6	3234-5	4	Screw-HHF
7	104-6678	1	Actuator-Linear
8	92-2739	1	Pin-Clevis
9	3272-11	2	Pin-Cotter
10	94-1742	1	Switch
11	99-7431	1	Fuse-Thermal, 15 Amp
12	106826	1	Washer-Thrust
17	69-8910	3	Washer
18	283-69	1	Pin-Clevis



Linear Acuator Assembly No. 104-6678

<i>Ref.</i>	<i>Part Number</i>	<i>Qty.</i>	<i>Description</i>
1	99-7808	1	Cover Tube ASM W/Seal
2	80-5530	1	Clutch Kit
3	104-6683	1	Motor Kit
4	80-5550	1	Seal Kit



Count on it.