



Count on it.

Parts Catalog

**Power Clear 621 QZR
Snowthrower**

Model No. 38458—Serial No. 31200001 and Up

Ordering Replacement Parts

To order replacement parts, please supply the part number, the quantity, and the description of each part desired.

Understanding Reference Numbers

Each identified part in an illustration has a reference number. The reference number for a part also appears in the parts list, along with other information about the part.

This catalog uses two special reference number formats, one to indicate parts in a service assembly and another to indicate the quantity of a given part in an illustration.

Service Assembly Reference Numbers

Parts in service assemblies have reference numbers in the form a:b. The a represents the reference number of the entire service assembly and the b represents a sequential number unique to each part within the service assembly.

For example, a wheel assembly might be identified by reference number 6, the tire by 6:1, the valve by 6:2, and the wheel by 6:3. When you order the assembly identified by reference number 6, you receive all parts identified by reference numbers 6:1, 6:2, and 6:3. However, you may also order any part individually. Reference numbers of this type appear in illustration and in parts lists.

Reference Numbers Indicating Quantity

In an illustration, if a reference number indicates more than one part, the reference number has the form nX y. The n represents the quantity of the part, the X is the multiplication symbol, and the y represents the reference number.

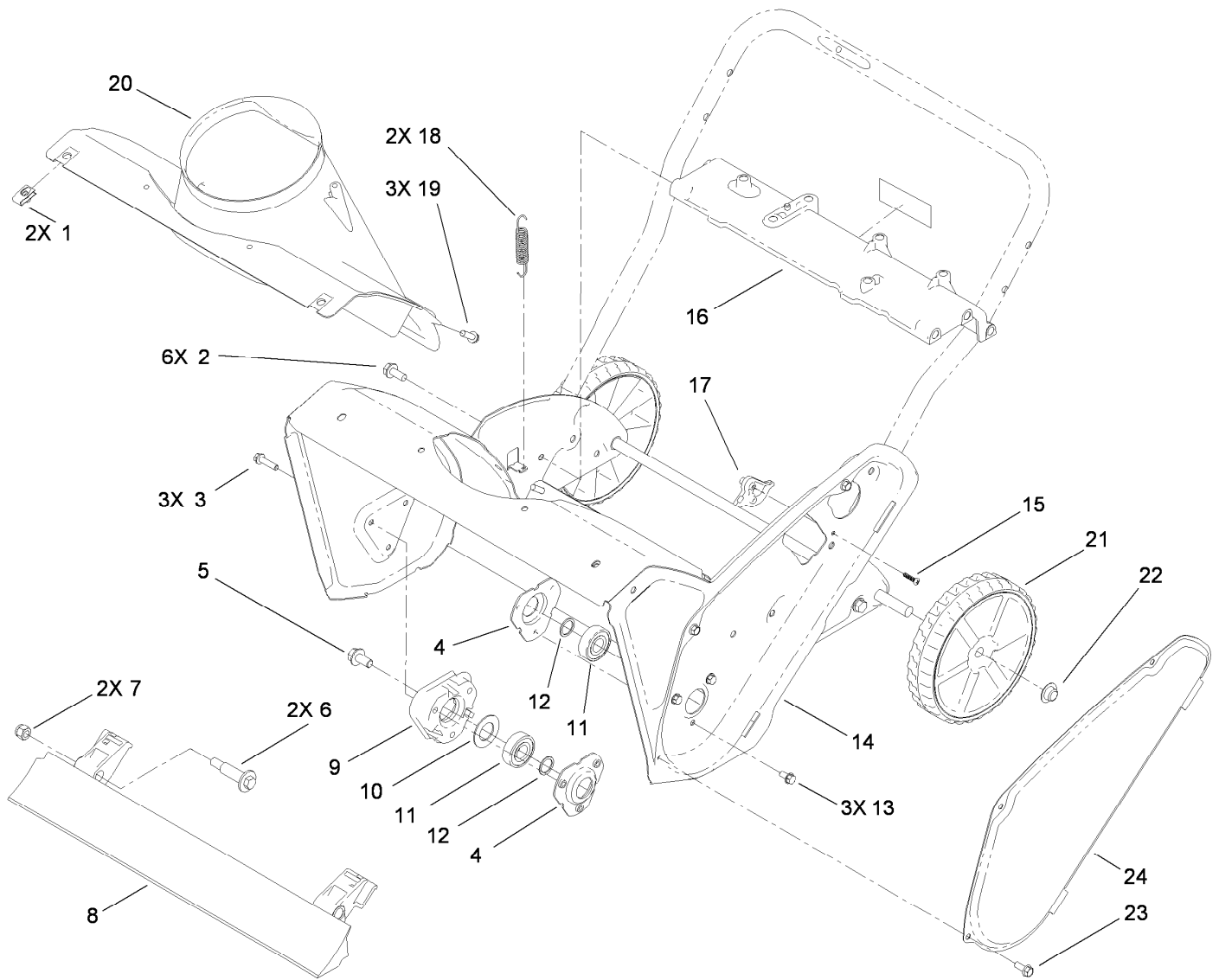
For example, in an illustration, the reference number 2X 37 means that two of the parts identified by reference number 37 are indicated.

List of Abbreviations

AR: as required	HOC: height-of-cut	RRB: rear roller brush
ASM: assembly	HSBH: hex socket button head	SFH: slotted fillister head
BBC: blade brake control	HSFH: hex socket flat head	SHH: slotted hex head
BHTF: button head thread forming	HSH: hex socket head	SHWH: slotted hex washer head
CARR: carriage	HWH: hex washer head	SPH: slotted pan head
CCW: counter clockwise	HWTF: hex washer head thread forming	SQH: square head
CW: clockwise	HYD: hydraulic	SRH: slotted round head
DEG: degrees	LH: left hand	STD: standard
DPA: Dual Point Adjustment	LP: Liquid Propane	TAP: self tapping
ECM: electronic control module	NI: nylon insert	TTH: torx truss head
EXT: external	NPTF: national pipe thread fine	
FH: flat head	PFH: phillips flat head	
GA: gauge	PPH: phillips pan head	
HD: heavy-duty	PPHTF: phillips pan head thread forming	
HF: hex flange	PRH: phillips round head	
HH: hex head	PTH: phillips truss head	
HHF: hex head flange	PTO: power-take-off	
HHFTF: hex head flange thread forming	RH: right hand	
HJ: hex jam	ROPS: roll-over protection system	
HLH: hex lag head		

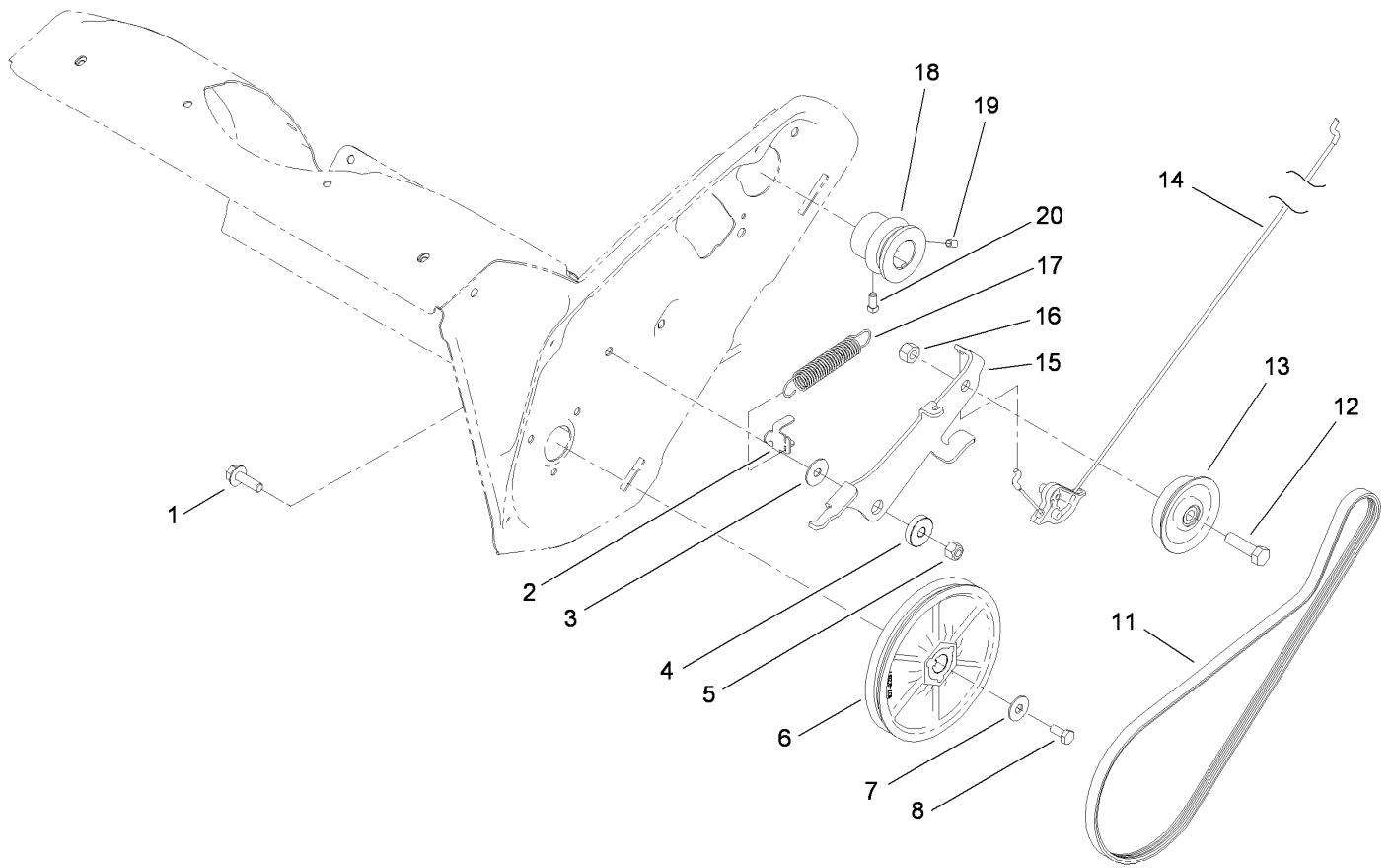
Contents

Main Frame Assembly	4
Rotor Drive Assembly	5
Rotor Assembly	6
Engine Assembly	7
Engine Component Assembly No. 119-1943.....	8
Shroud Assembly	9
Chute Control Assembly	10
Upper Handle Assembly	11
Handle Chute Control Assembly	12
Attachments and Accessories	13



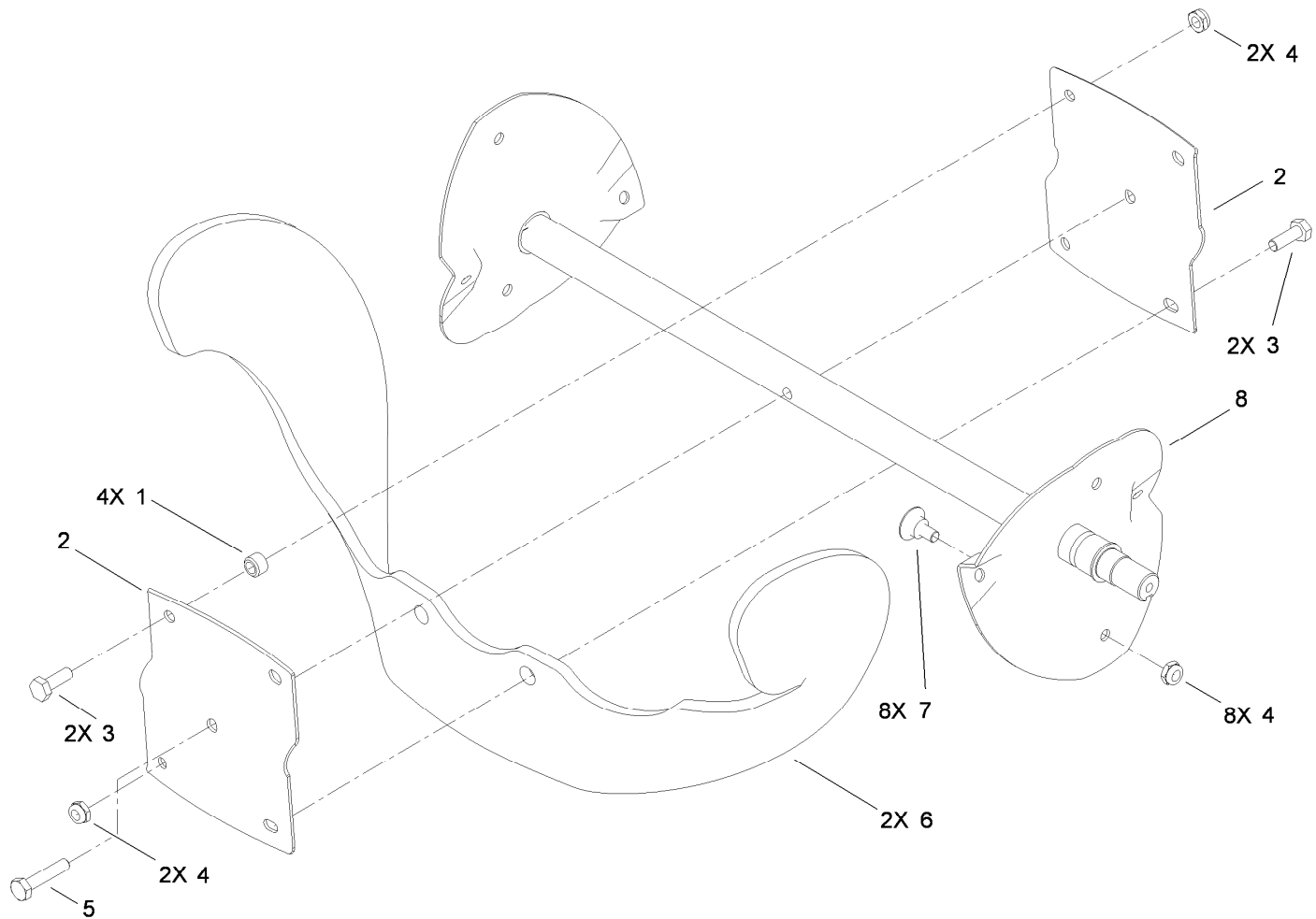
Main Frame Assembly

<i>Ref.</i>	<i>Part Number</i>	<i>Qty.</i>	<i>Description</i>	<i>Ref.</i>	<i>Part Number</i>	<i>Qty.</i>	<i>Description</i>
1	107069	2	Clip	13	32144-4	3	Screw-HWH
2	32144-11	6	Screw-HWHTF	14	108-4868-03	1	Housing-Auger
3	32144-86	3	Screw-HWHTF	15	94-4496	1	Screw-PPH
4	108-4943	2	Flange-Bearing	16	108-4905	1	Brace-Frame
5	110-9380	1	Screw-HWH	17	108-4919	1	Guide-Cable, Clutch
6	56-6590	2	Bolt-Wheel	18	108-4906	2	Spring-Extension
7	3296-39	2	Nut-Lock, NI	19	46-8091	3	Screw-HWH
8	108-4884	1	Blade-Scraper	20	108-4871	1	Chute-Lower
9	114-3781	1	Spacer-Bearing, RH	21	117-2309	2	Wheel ASM
10	110-9353	1	Washer-Rubber	22	32112-14	2	Nut-Push
11	100-1048	2	Bearing-Ball	23	32144-85	3	Screw-HWH
12	52-7280	2	Washer-Thrust	24	108-4893-03	1	Cover-Belt



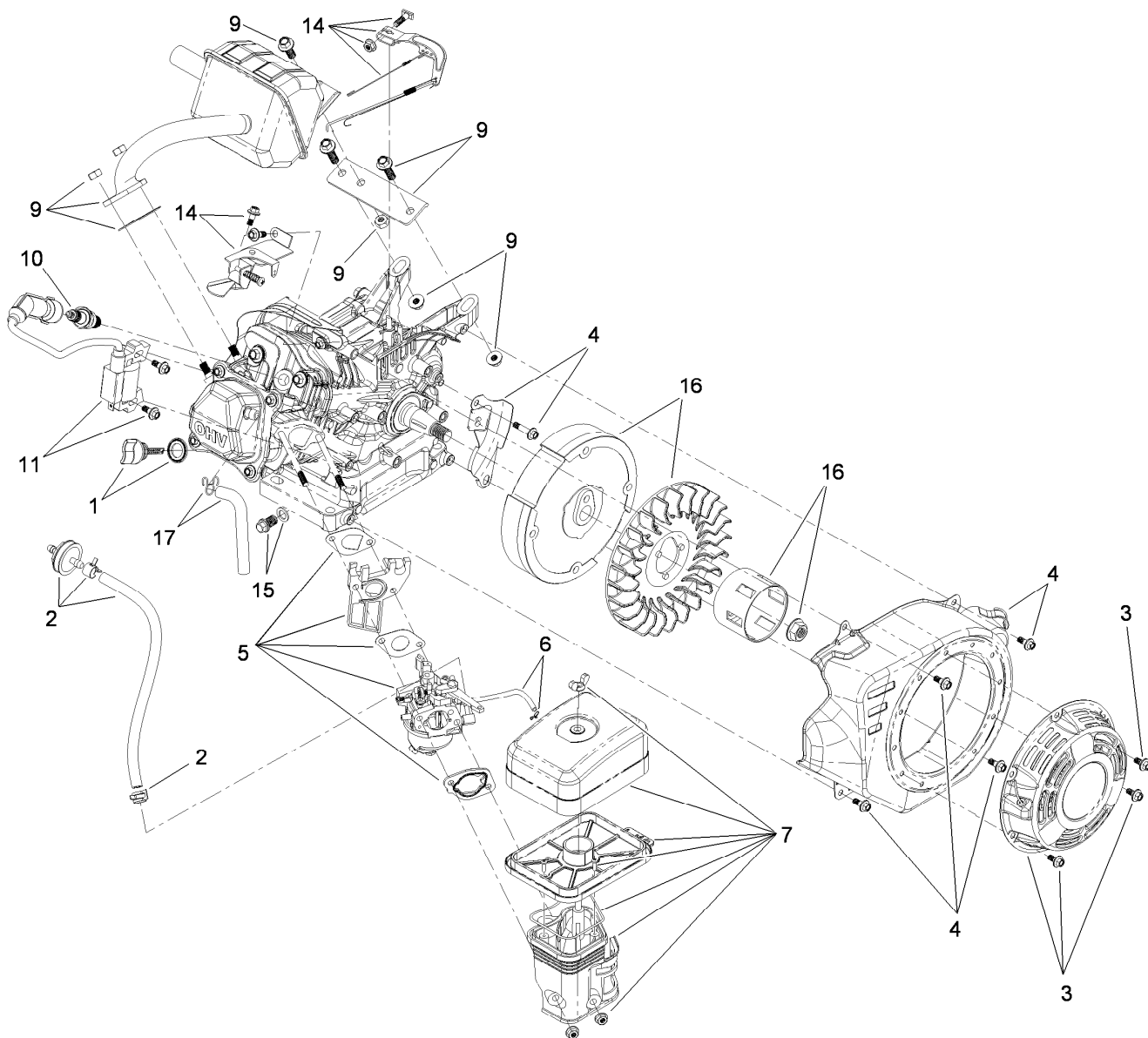
Rotor Drive Assembly

<i>Ref.</i>	<i>Part Number</i>	<i>Qty.</i>	<i>Description</i>	<i>Ref.</i>	<i>Part Number</i>	<i>Qty.</i>	<i>Description</i>
1	3234-29	1	Screw-HHF	12	323-29	1	Screw-HH
2	108-4938	1	Clip-Spring, Brake	13	114-3785	1	Pulley-Idler
3	108-4925	1	Washer	14	115-5682	1	Cable-Clutch
4	108-4916	1	Bushing-Pivot	15	114-3782	1	Arm-Idler
5	3296-29	1	Nut-Lock, NI	16	32152-2	1	Nut-Lock, Cone
6	107-9287	1	Rotor Pulley ASM	17	114-3788	1	Spring-Extension
7	3290-456	1	Washer-Belleville	18	108-4934	1	Pulley-Engine
8	110-9381	1	Screw-HH	19	3245-32	1	Screw-HSH
11	108-4921	1	Belt-Drive	20	3241-7	1	Screw-SQH



Rotor Assembly

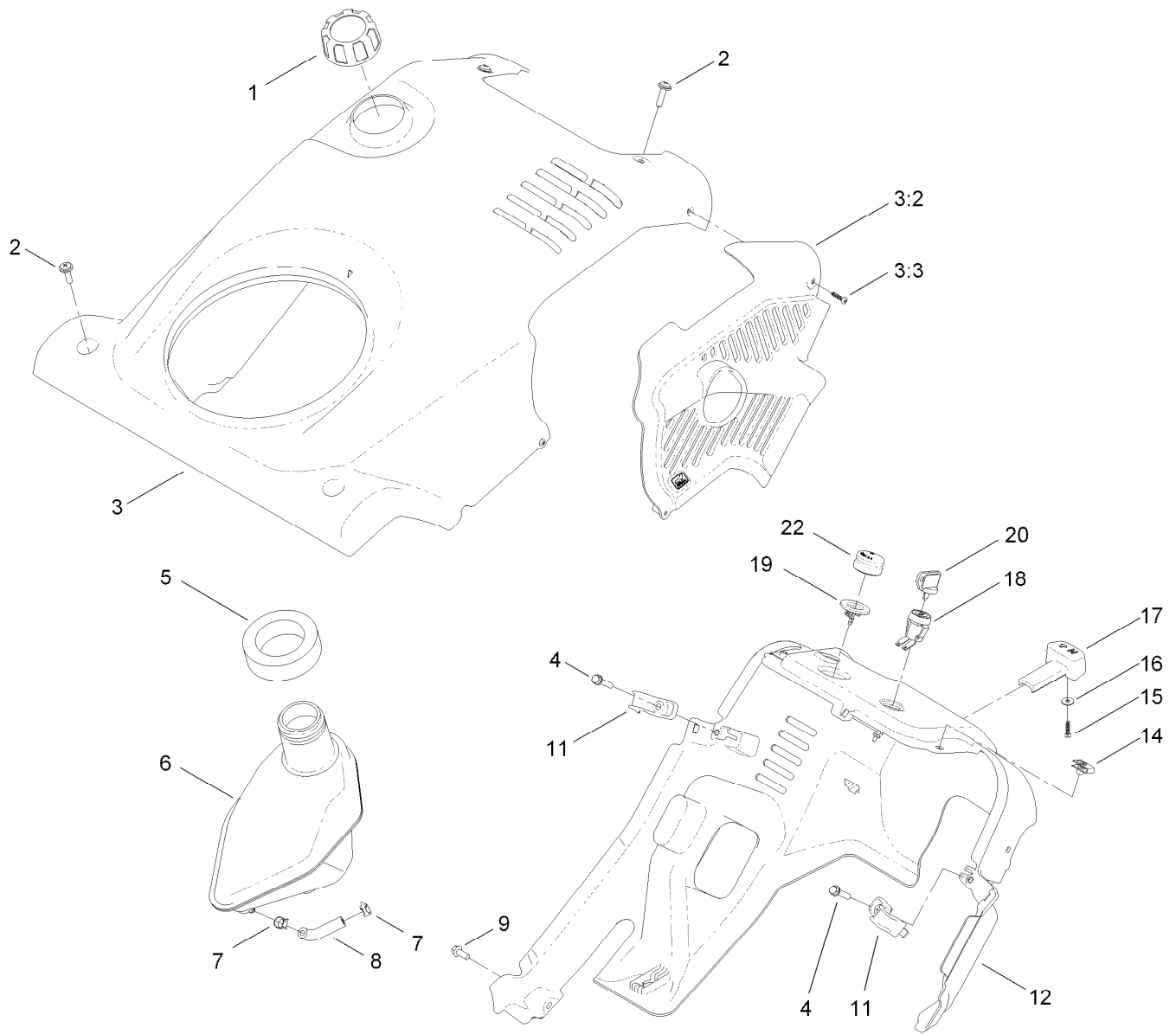
Ref.	Part Number	Qty.	Description
1	55-9370	4	Spacer-Blade, Rotor
2	66-6600-03	2	Half-Rotor
3	321-4	4	Screw-HH
4	3296-56	13	Nut-Lock, NI
5	321-8	1	Screw-HH
6	99-9313	2	Blade-Rotor
7	84-1971	8	Screw
8	108-4894-03	1	Rotor



Engine Component Assembly No. 119-1943

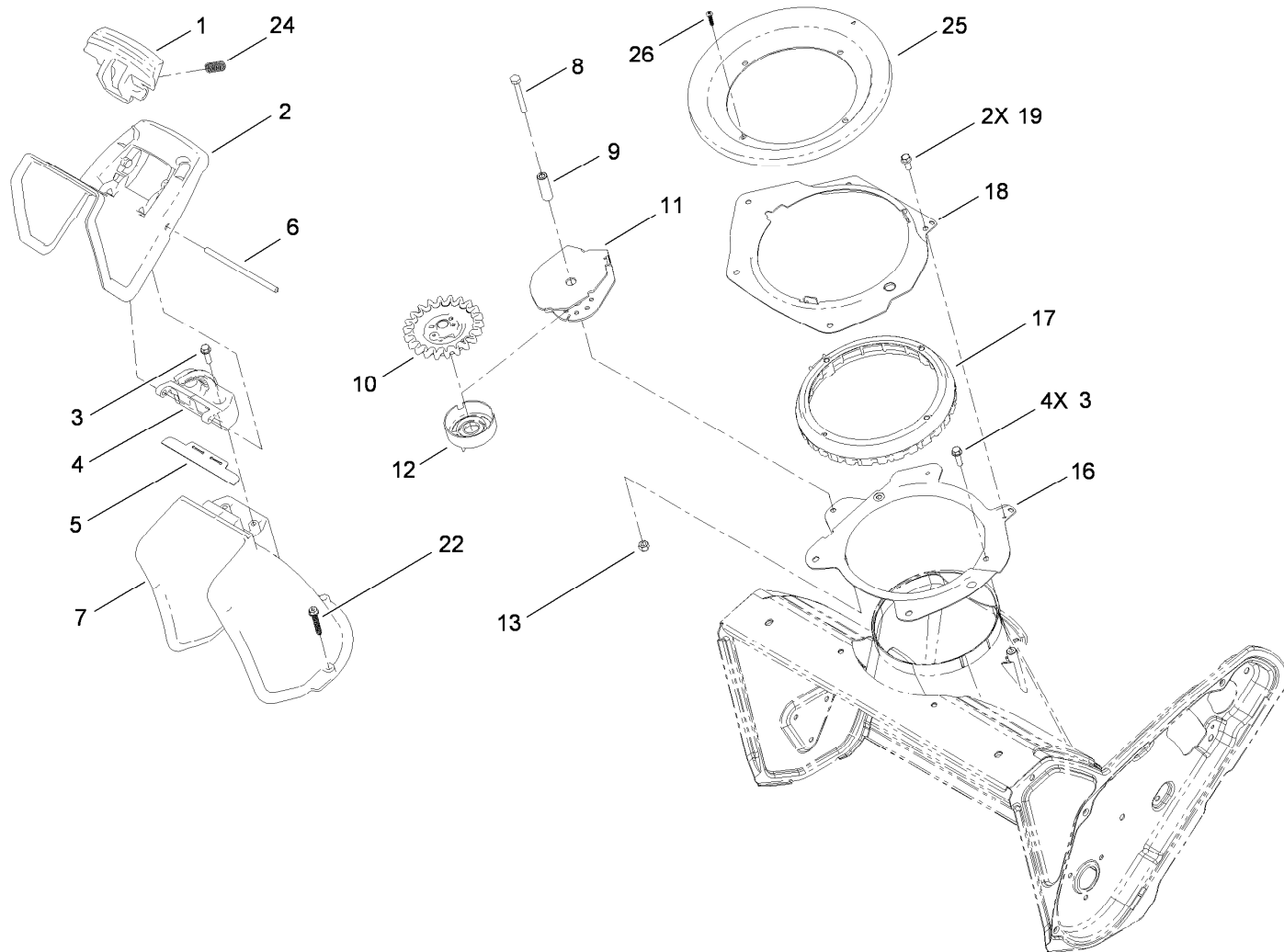
<i>Ref.</i>	<i>Part Number</i>	<i>Qty.</i>	<i>Description</i>	<i>Ref.</i>	<i>Part Number</i>	<i>Qty.</i>	<i>Description</i>
1	119-1944	1	Dipstick And O-Ring Kit	9	119-1954	1	Muffler, Gasket And Hardware Kit
2	120-4402	1	Fuel Line, Filter And Clamp Kit	10	119-1901	1	Spark Plug
3	119-1945	1	Recoil And Mounting Hardware Kit	11	119-1959	1	Ignition And Mounting Hardware Kit
4	119-1947	1	Recoil Blower Shroud And Hardware Kit	12	119-1955	1	Complete Engine Gasket, Seal, O-Ring Kit ●
5	120-4419	1	Carburetor And Fuel Line Kit	14	119-1957	1	Govenor Arm/Link/Spring And Hardware Kit
5	120-4416	1	Carb Float, Valve Gasket Kit	15	119-1923	1	Drain Plug Kit
6	119-1949	1	Primer Line And Clamp Kit	16	119-1963	1	Flywheel And Fan Kit
7	119-1950	1	Heater Box, Manifold And Hardware Kit	17	119-1921	1	Breather Tube Kit

● Not illustrated



Shroud Assembly

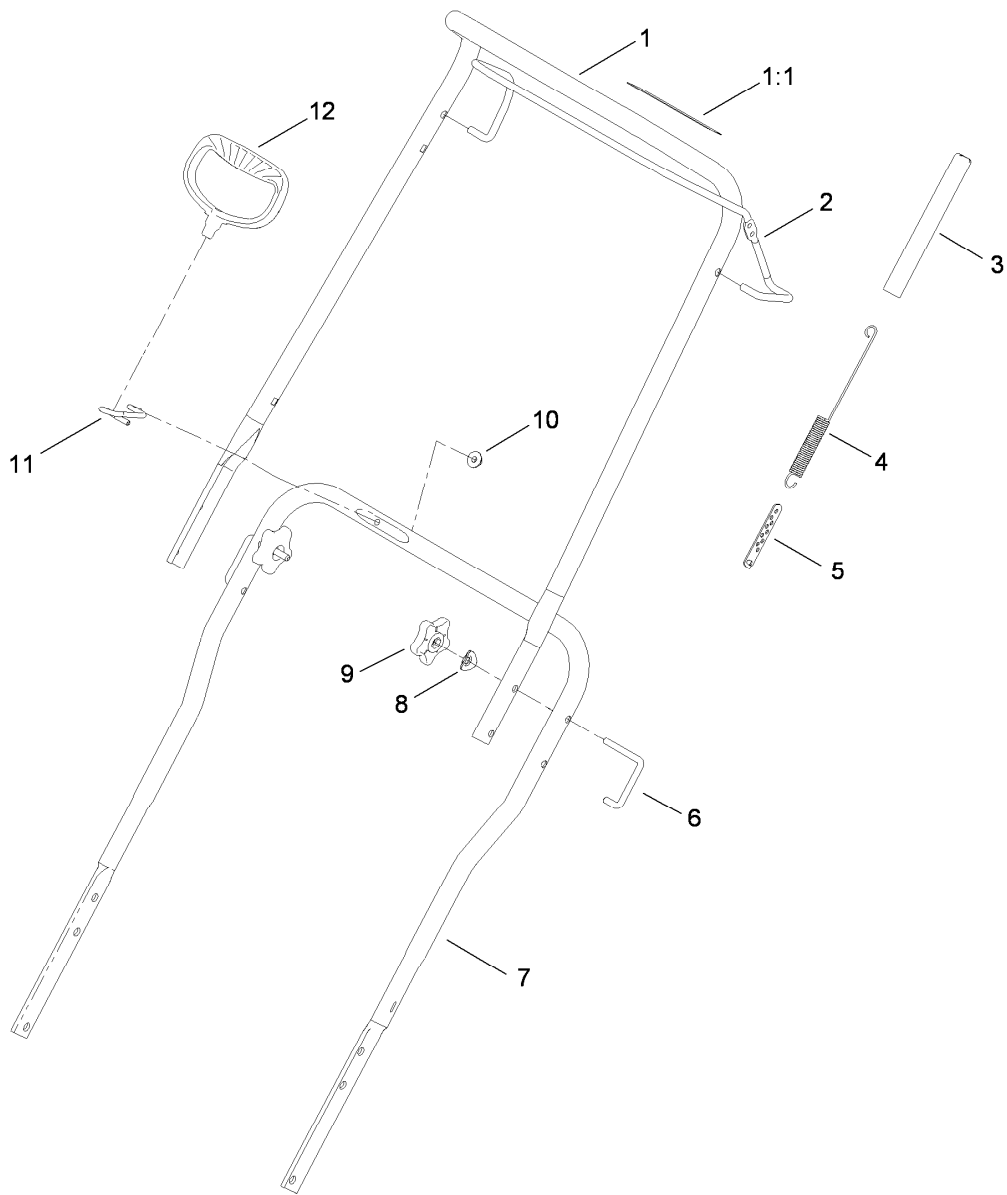
<i>Ref.</i>	<i>Part Number</i>	<i>Qty.</i>	<i>Description</i>	<i>Ref.</i>	<i>Part Number</i>	<i>Qty.</i>	<i>Description</i>
1	114-3764	1	4-Cycle Gas Cap ASM	11	108-4947	2	Clip-Shroud
2	110-9361	4	Screw-PPH, Sems	12	117-6036	1	Shroud-Lower
3	120-9800	1	Shroud ASM	14	107069	2	Clip
3:2	117-6035	1	Baffle-Exhaust, 4-Cycle	15	94-4496	1	Screw-PPH
3:3	94-4496	2	Screw-PPH	16	3256-49	1	Washer-Flat
4	46-8092	2	Screw-Plastite	17	117-9100	1	Knob-Choke
5	114-3773	1	Seal-Tank	18	40-5940	1	Switch
6	108-4880	1	Tank-Gas	19	44-2750	1	Body-Primer
7	2412-98	2	Clamp	20	63-8360	1	Key-Ignition
8	114-3765	1	Hose-Fuel	22	66-7460	1	Bulb-Primer
9	32144-85	1	Screw-HWH				



Chute Control Assembly

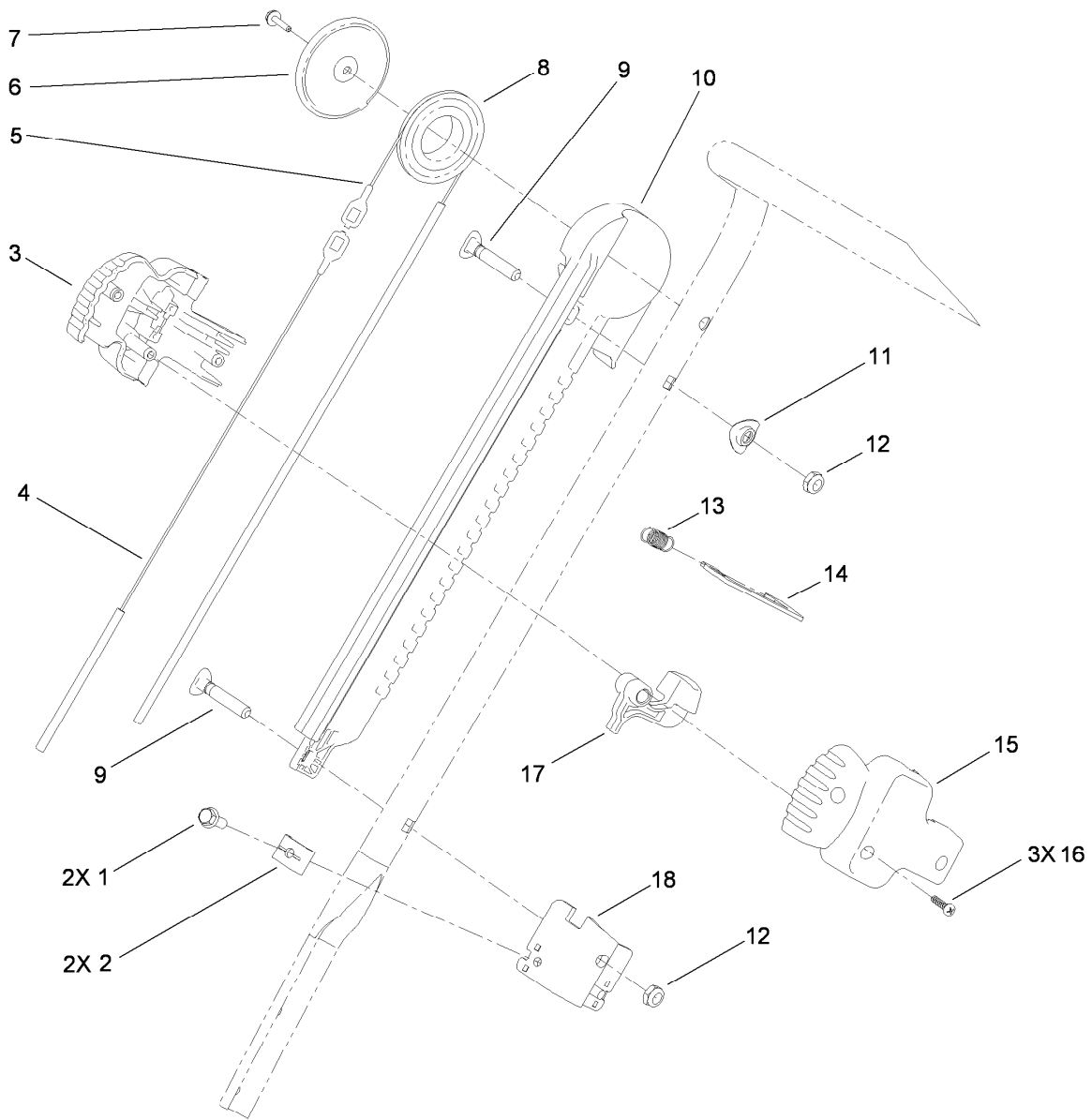
<i>Ref.</i>	<i>Part Number</i>	<i>Qty.</i>	<i>Description</i>
1	108-4941	1	Trigger-Deflector
2	117-9121	1	Deflector-Chute, Ce
3	46-8091	6	Screw-HWH
4	108-4942	1	Hinge-Ratchet, Deflector
5	114-3790	1	Seal-Deflector
6	110-9368	1	Pin-Hinge, Deflector
7	108-4939	1	Chute
8	321-18	1	Screw-HH
9	108-4877	1	Spacer-Sleeve, Pinion
10	108-4875	1	Pinion-Gear
11	108-4900-03	1	Bracket-Pinion

<i>Ref.</i>	<i>Part Number</i>	<i>Qty.</i>	<i>Description</i>
12	114-3792	1	Retainer-Cable
13	3296-42	1	Nut-Lock, NI
16	108-4883-03	1	Ring-Support, Chute
17	108-4882	1	Ring-Chute, Gear
18	108-4874-03	1	Retainer-Ring, Chute
19	32144-85	2	Screw-HWH
22	108-4946	3	Screw-Plastite
24	110-9360	2	Spring-Compression
25	114-3772	1	Seal-Ring, Chute
26	94-4496	1	Screw-PPH



Upper Handle Assembly

Ref.	Part Number	Qty.	Description
1	114-3768	1	Upper Handle ASM
1:1	94-2577	1	Decal-Drive, Rotor
2	114-3780-03	1	Bail-Control
3	114-3796	1	Cover-Spring
4	108-4920	1	Spring-Extension
5	71-5330	1	Adjuster-Cable, Clutch
6	108-4887	2	Lock-Handle
7	108-4944-03	1	Handle-Lower
8	107-3844	2	Washer
9	114-3779	2	Knob-Handle
10	114-3778	1	Nut-Lock, NI
11	108-4949	1	Guide-Rope
12	117-9104	1	Handle-Recoil, Blue



Handle Chute Control Assembly

<i>Ref.</i>	<i>Part Number</i>	<i>Qty.</i>	<i>Description</i>	<i>Ref.</i>	<i>Part Number</i>	<i>Qty.</i>	<i>Description</i>
1	32144-85	2	Screw-HWH	10	108-4899	1	Track-Slider
2	106-7297	2	Clamp-Cable	11	107-3844	1	Washer
3	108-4912	1	Handle-Slider, RH	12	3296-47	2	Nut-Lock, NI
4	108-4897	1	Cable-Chute, Short	13	108-4914	1	Spring-Trigger
5	108-4898	1	Cable-Chute, Long	14	108-4908	1	Plate-Lock, Chute
6	108-4931	1	Cover-Pulley	15	108-4911	1	Handle-Slider, LH
7	98-1375	1	Screw-HWH	16	94-4496	3	Screw-PPH
8	108-4907	1	Pulley-Slider	17	108-4913	1	Trigger
9	107-3018	2	Screw-Handle	18	108-4909	1	Bracket-Cable

Attachments and Accessories

For 38458 Power Clear 621 QZR Snowthrower

Product Name	Model/Part
5W30 Winter Oil, Case of 24 20-Ounce Bottles	38908
Toro Single Stage Cover	490-7464
Plain Single Stage Cover	490-7465

Notes:

Notes:



Count on it.