



**Count on it.**

**Parts Catalog**

**Eductor Kit**

**Multi-Pro® 5800 Turf Sprayer**

**Model No. 41612—Serial No. 311000001 and Up**

# Ordering Replacement Parts

To order replacement parts, please supply the part number, the quantity, and the description of each part desired.

## Understanding Reference Numbers

Each identified part in an illustration has a reference number. The reference number for a part also appears in the parts list, along with other information about the part.

This catalog uses two special reference number formats, one to indicate parts in a service assembly and another to indicate the quantity of a given part in an illustration.

## Service Assembly Reference Numbers

Parts in service assemblies have reference numbers in the form a:b. The a represents the reference number of the entire service assembly and the b represents a sequential number unique to each part within the service assembly.

For example, a wheel assembly might be identified by reference number 6, the tire by 6:1, the valve by 6:2, and the wheel by 6:3. When you order the assembly identified by reference number 6, you receive all parts identified by reference numbers 6:1, 6:2, and 6:3. However, you may also order any part individually. Reference numbers of this type appear in illustration and in parts lists.

## Reference Numbers Indicating Quantity

In an illustration, if a reference number indicates more than one part, the reference number has the form nX y. The n represents the quantity of the part, the X is the multiplication symbol, and the y represents the reference number.

For example, in an illustration, the reference number 2X 37 means that two of the parts identified by reference number 37 are indicated.

# List of Abbreviations

**AR:** as required

**ASM:** assembly

**BBC:** blade brake control

**BHTF:** button head thread forming

**CARR:** carriage

**CCW:** counter clockwise

**CW:** clockwise

**DEG:** degrees

**DPA:** Dual Point Adjustment

**ECM:** electronic control module

**EXT:** external

**FH:** flat head

**GA:** gauge

**HD:** heavy-duty

**HF:** hex flange

**HH:** hex head

**HHF:** hex head flange

**HHFTF:** hex head flange thread forming

**HJ:** hex jam

**HLH:** hex lag head

**HOC:** height-of-cut

**HSBH:** hex socket button head

**HSFH:** hex socket flat head

**HSH:** hex socket head

**HWH:** hex washer head

**HWTF:** hex washer head thread forming

**HYD:** hydraulic

**LH:** left hand

**LP:** Liquid Propane

**NI:** nylon insert

**NPTF:** national pipe thread fine

**PFH:** phillips flat head

**PPH:** phillips pan head

**PPHTF:** phillips pan head thread forming

**PRH:** phillips round head

**PTH:** phillips truss head

**PTO:** power-take-off

**RH:** right hand

**ROPS:** roll-over protection system

**RRB:** rear roller brush

**SFH:** slotted fillister head

**SHH:** slotted hex head

**SHWH:** slotted hex washer head

**SPH:** slotted pan head

**SQH:** square head

**SRH:** slotted round head

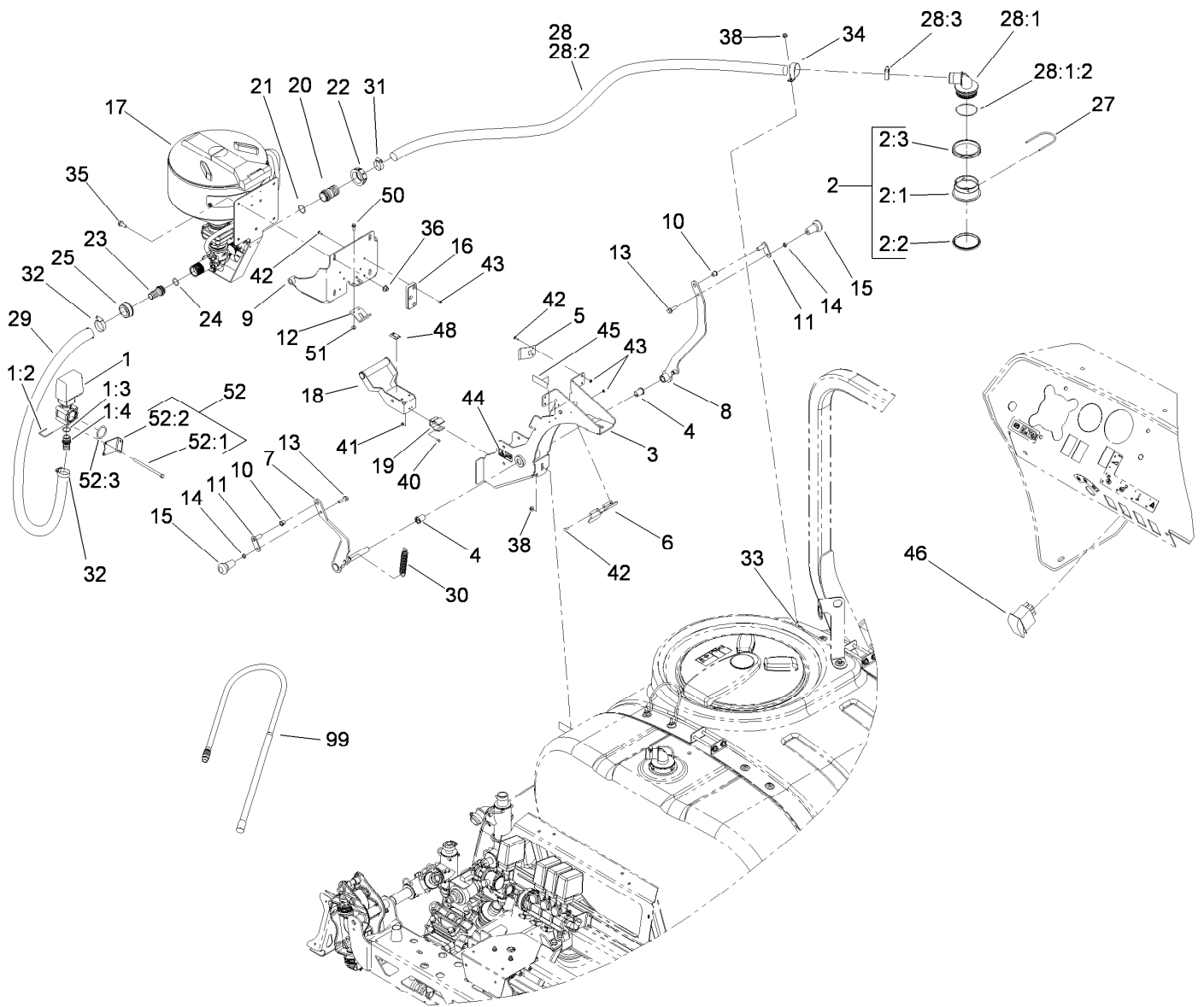
**STD:** standard

**TAP:** self tapping

**TTH:** torx truss head

# Contents

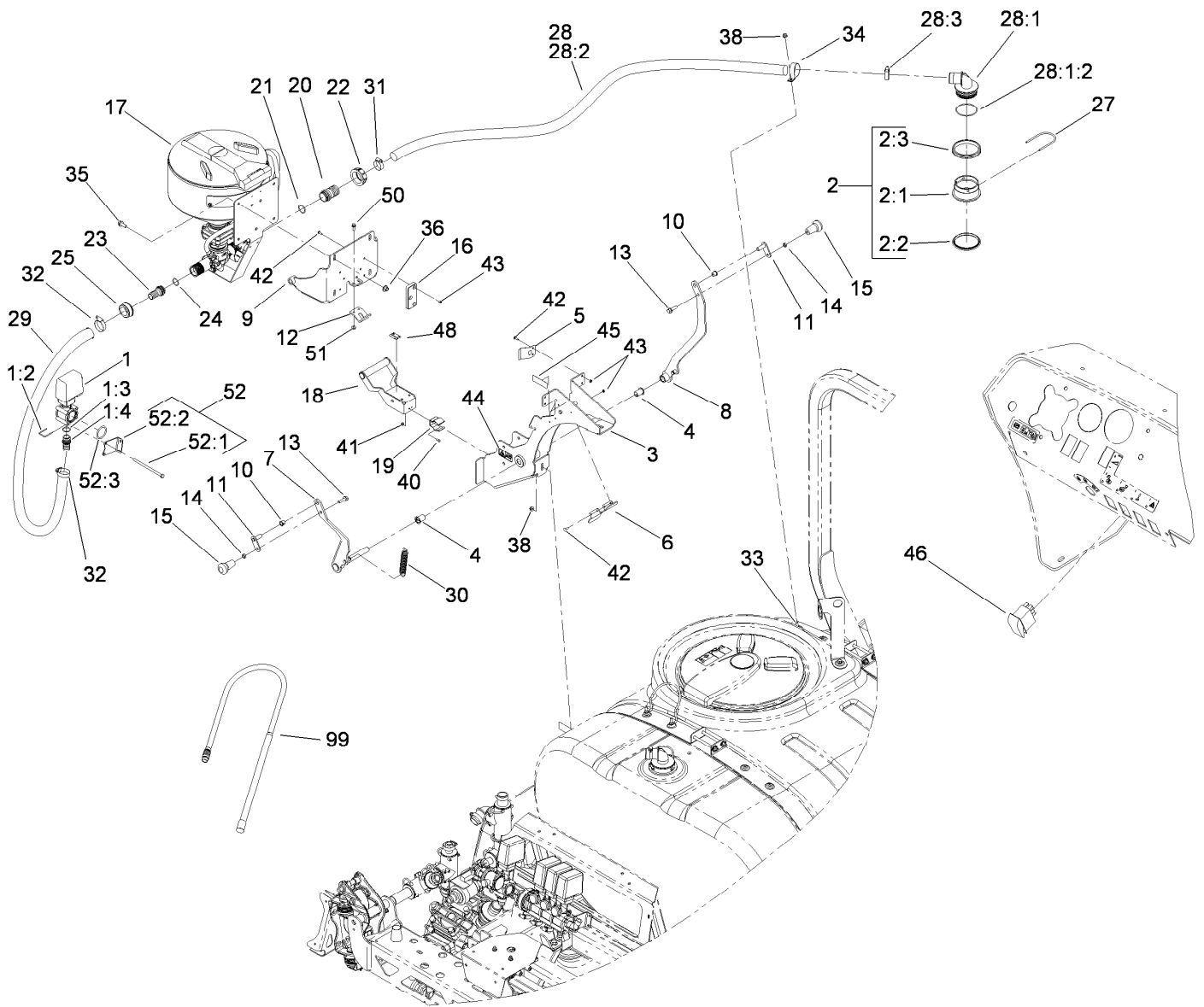
Eductor Kit..... 4  
Cleanload Assembly No. 119-0477..... 6



## Eductor Kit

Ref.	Part Number	Qty.	Description	Ref.	Part Number	Qty.	Description
1	119-0488	1	Valve ASM	14	3218-3	2	Nut-Jam
1:2	119-4862	1	Fork	15	99-7981	2	Knob-Grip, Soft
1:3	119-4868	1	O-Ring	16	119-4963	2	Pad-Wear
1:4	117-7992	1	Hosebarb	17	119-0477	1	Cleanload ASM
2	117-7851	1	Bulkhead ASM	18	119-4971-03	1	Handle ASM
2:1	117-7850	1	Fitting-Bulkhead	19	119-4937	1	Clip-Spring
2:2	100-8646	1	Gasket-Bulkhead	20	117-7877	1	Hosebarb
2:3	100-8647	1	Nut-Bulkhead	21	117-7922	1	O-Ring
3	119-4934-03	1	Eductor-Mount	22	117-7879	1	Nut-Fly
4	100-8541	2	Bushing-A Arm	23	117-7973	1	Hosebarb
5	119-4951	2	Tab-Spring	24	110-5239	1	O-Ring
6	119-4962	1	Plate-Strike	25	110-5247	1	Nut-Fly
7	119-4907-03	1	Arm-Pivot, LH	27	117-7996	1	Fork
8	119-4908-03	1	Arm-Pivot, RH	28		1	Main Eductor Hose ASM ●
9	119-4912-03	1	Pivot Plate ASM	28:1	117-7870	1	Hosebarb ASM
10	256-257	2	Bushing-Nyliner	28:1:2	100-6989	1	O-Ring
11	119-4918	2	Pin-Pivot	28:2	119-0474	1	Hose-Main Supply
12	119-4928	1	Bracket-Latch	28:3	41327	1	Clamp-Hose
13	3234-24	2	Screw-HHF	29	119-0473	1	Hose-Supply

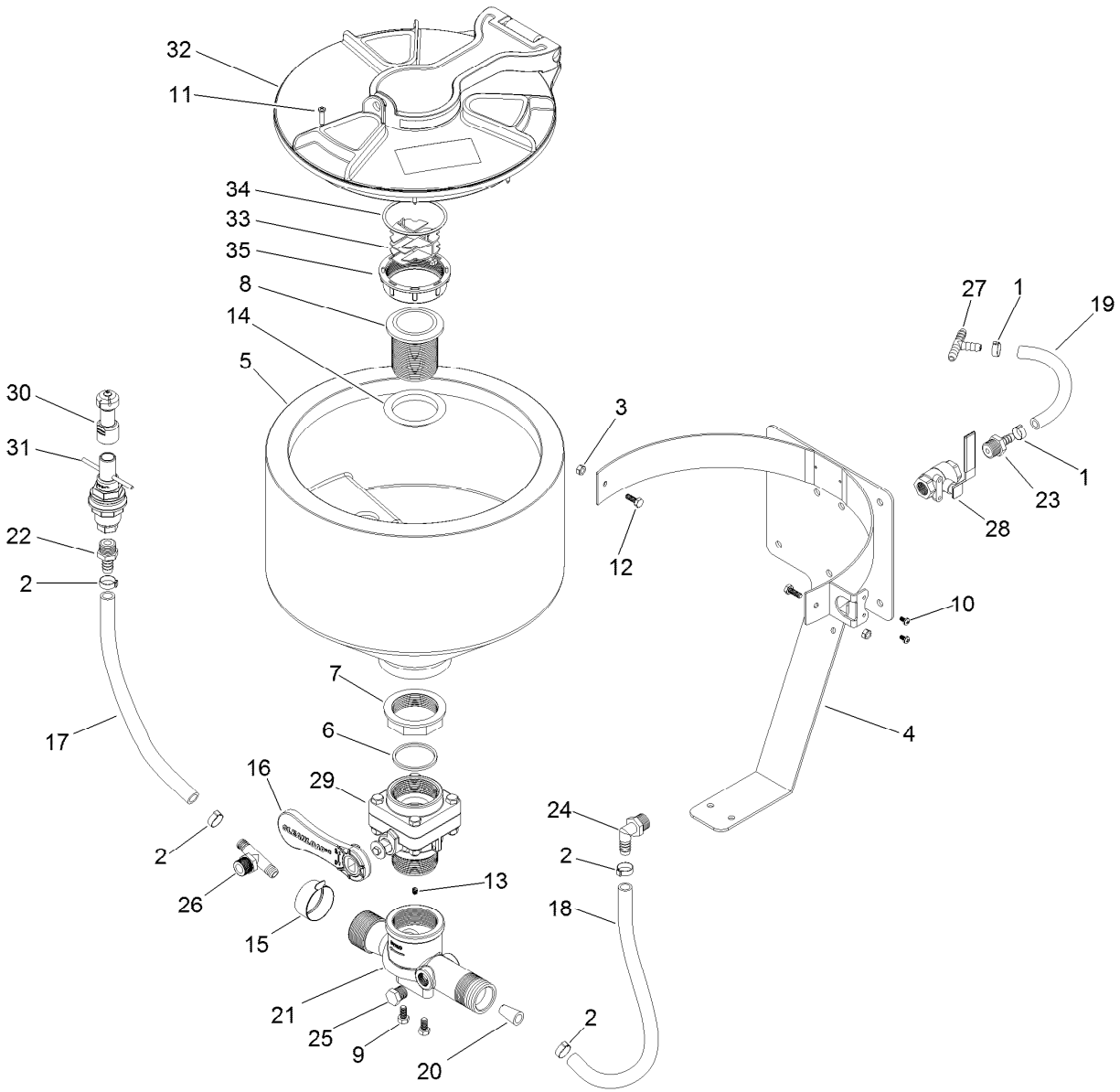
● Not serviced separately



## Eductor Kit (continued)

Ref.	Part Number	Qty.	Description	Ref.	Part Number	Qty.	Description
30	100071	2	Spring-Extension	44	93-6674	2	Decal-Warning
31	41327	1	Clamp-Hose	45	119-4986	1	Decal-Regulatory
32	2412-3	2	Clamp-Hose	46	100-8490	1	Switch-Rocker
33	3230-2	1	Bolt-CARR	48	119-4988	1	Decal-Mp, Lock
34	2412-96	1	Clamp-R	50	3234-4	2	Screw-HHF
35	3234-11	4	Screw-HHF	51	32128-33	2	Nut-HF
36	32128-43	4	Nut-Flange	52		1	Bracket Mounting Kit ●
38	104-8300	2	Nut-Flange, NI	52:1	119-4879	4	Screw-HH
40	3250-12	2	Screw-PPH	52:2	119-4952	1	Bracket-Mount
41	3296-2	2	Nut-Lock, NI	52:3	119-4870	1	O-Ring
42	1-807533	14	Bolt-CARR	99	120-0651	1	Lance-Eductor
43	3296-12	14	Nut-Lock, NI				

● Not serviced separately



## Cleanload Assembly No. 119-0477

Ref.	Part Number	Qty.	Description
1	120-8650	2	Clamp-Hose
2	120-8651	4	Clamp-Hose
3	120-8652	2	Nut-Hex
4	120-8653	1	Mount-Frame, Back
5	120-8654	1	Tank-5.8 Gallon
6	120-8655	1	Gasket
7	120-8656	1	Ring-Locking
8	120-8657	1	Head-Drain
9	120-8658	2	Screw-HH
10	120-8659	2	Screw
11	120-8660	8	Screw
12	120-8661	2	Bolt
13	120-8662	1	Screw-Set
14	120-8663	1	Gasket
15	120-8664	1	Fitting-Cap
16	120-8665	1	Handle-Valve, Ball
17	120-8666	1	Hose-Bottle, Rinse
18	120-8667	1	Hose-Valve, Feeder

Ref.	Part Number	Qty.	Description
19	120-8668	1	Hose
20	120-8669	1	Orifice-Jet, Agitator
21	120-8670	1	Eductor-Cleanload
22	120-8671	1	Fitting-Hosebarb
23	120-8672	1	Fitting-Hosebarb
24	120-8673	1	Fitting-Elbow, Hosebarb
25	120-8674	1	Fitting-Plug
26	120-8675	1	Fitting-Tee
27	120-8676	1	Fitting-Tee
28	120-8677	1	Valve
29	120-8678	1	Valve-Ball
30	120-8679	1	Proclean Bottlewash ASM
31	120-8680	1	Rinse-Valve
32	120-8681	1	TI-Ring, S/A
33	120-8682	1	Breather-Labyrinth
34	120-8683	1	O-Ring-Breather
35	120-8684	1	Nut-Breather

**Notes:**



**Count on it.**