



PART NO. 93-6639

INSTALLATION
INSTRUCTIONS
CE UPDATE KIT
GUARDIAN® 62" RECYCLER®

SAFETY AND INSTRUCTION DECALS

THE FOLLOWING DECALS AND GUARDS ARE TO BE INSTALLED ON THE GUARDIAN® 62" RECYCLER®. USE THE LOCATION DESCRIPTION LISTED BELOW TO DETERMINE THE CORRECT PLACEMENT ON THE PRODUCT. BEFORE INSTALLING DECALS, REMOVE OR THOROUGHLY CLEAN THE ENGLISH DECAL, AND APPLY THE APPROPRIATE TRANSLATED LANGUAGE VERSION IN ITS PLACE (OR OVER IT).

ONLY USE DECALS THAT REPLACE EXISTING DECALS ON MACHINE. DISCARD UNUSED DECALS.

SHOULD ANY OF THESE DECALS OR GUARDS BECOME DAMAGED OR ILLEGIBLE, REPLACE THEM IMMEDIATELY. EACH PART NUMBER IS LISTED BELOW, AND ALSO ON EACH DECAL. REPLACEMENTS MAY BE ORDERED THROUGH YOUR AUTHORIZED TORO DISTRIBUTOR.

DESCRIPTION	LOCATION	ENGLISH PART NO.	EUROPEAN PART NO.	QTY.
DECAL DANGER	FRONT LH & RH DECK CORNERS	43-8480	93-7815	2
DECAL BLADE BOLT TORQUE	LEFT OF CENTER FRONT OF DECK	68-8340	93-7818	1
DECAL LUBE	FRONT CENTER OF GEAR BOX PLATE	70-2560	93-6697	1
DECAL DANGER	CENTER, LH & RH DECK CORNERS	85-6410	93-7814	3
DECAL BLANK	TOP OF DECK, LEFT OF CENTER SPINDLE	88-6700	93-8074	1
DECAL HOC	TOP FRONT LH CASTER ARM	92-4089	93-7826	1
DECAL WARNING	FRONT OF DECK LEFT OF BLADE BOLT TORQUE DECAL	92-5647	93-7810	1
DECAL DANGER	TOP OF PTO SHAFT GUARD	-	93-7283	1
BAFFLE	UNDER LH & RH FRONT DECK	-	93-4388	2
BAFFLE	UNDER CENTER FRONT DECK	-	93-4389	1
BRACKET - LATCH WA. RH	FRONT RH LIFT ARM	-	93-9325	1
BRACKET - LATCH WA. LH	FRONT LH LIFT ARM	-	93-9326	1

DESCRIPTION	LOCATION	ENGLISH PART NO.	EUROPEAN PART NO.	QTY.
RETAINER WA. – RH	FRONT RH LIFT ARM	–	93–8478	1
RETAINER WA. – LH	FRONT LH LIFT ARM	–	93–8479	1
BRACKET WA. LATCH, RH	RH FRONT TRACTION UNIT	–	93–8473	1
BRACKET WA. LATCH, LH	LH FRONT TRACTION UNIT	–	93–8474	1
FLANGE HEAD CAPSCREW	TOP OF DECK COVER & USED ON BAFFLES	–	3234–5	12
CLINCH NUT	USED WITH FLANGE HEAD CAPSCREWS	–	32148–7	12
WAVE WASHER		–	3290–317	2
CAPSCREW		–	32104–32	4
LOCKNUT		–	32153–9	2
CAPSCREW		–	323–6	4
LOCKNUT		–	32153–2	4
PTO SHAFT GUARD		–	93–9826	1
CAPSCREW		–	323–2	2
LOCKWASHER		–	3253–21	
CE – CERTIFICATE OF COMPLIANCE	LOOSE PARTS BAG	–	94–1005	1

INSERT LOCATION SHEET INTO OPERATOR'S MANUAL FOR OWNER'S REFERENCE.

Note: Mounting holes and clinch nuts may already be in deck.

MOUNT DECK Baffles

1. Remove deck from traction unit, remove deck covers and turn deck over.
2. On each deck strap, inside front of deck, measure 1.09" from bottom lip of deck and scribe a line the full length of each strap (Fig. 1 & insert).

3. Position baffles inside deck aligning mounting holes with scribed lines on straps.
4. Using baffles as templates, locate, mark and drill (8) .531" dia. holes in deck straps.
5. Install a clinch nut in each hole.

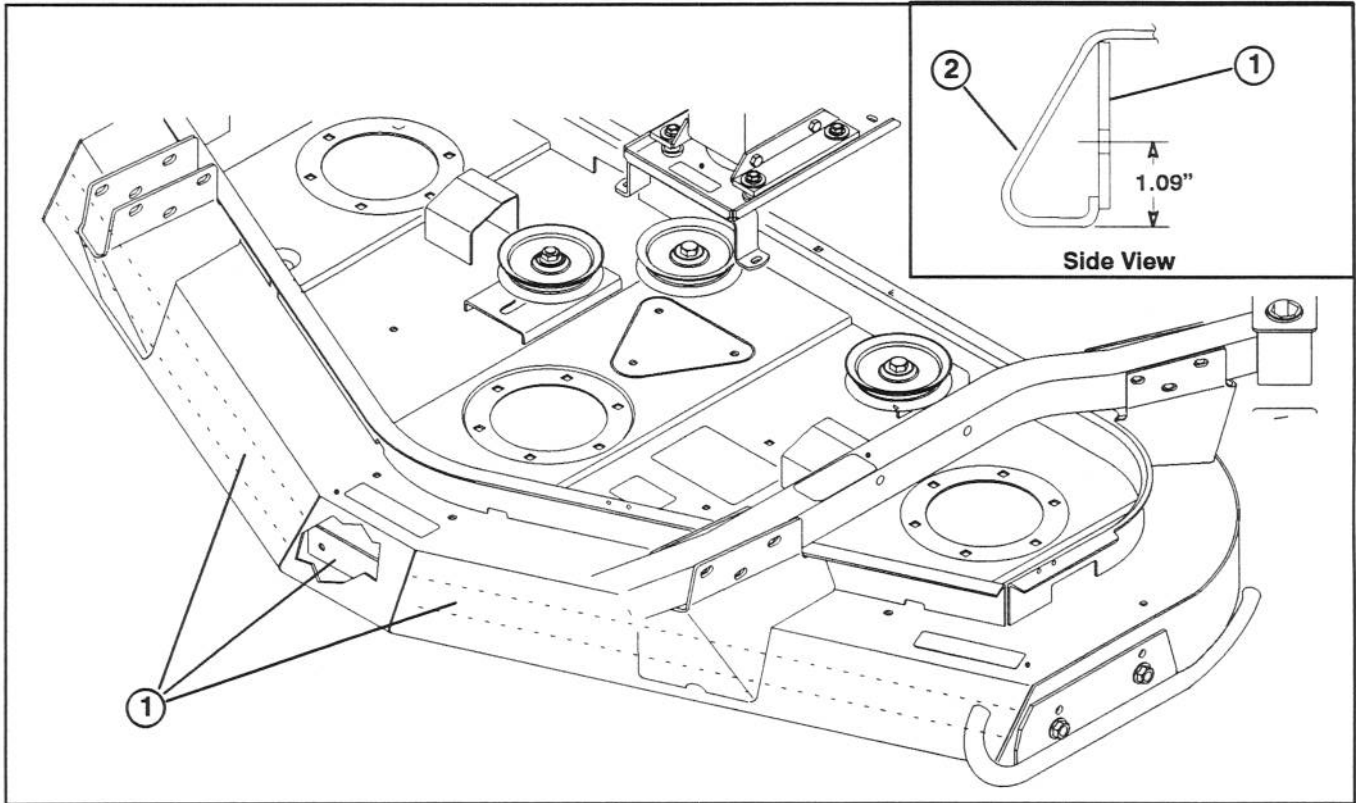


Figure 1

1. Deck straps
2. Deck

6. Loosely secure baffles to deck straps with flange head capscrews, positioning them as shown in figure 2.
7. Adjust baffles to desired height and tighten mounting fasteners.

NOTE: Make sure baffles are level and not bent. A bent baffle could affect the quality of cut.

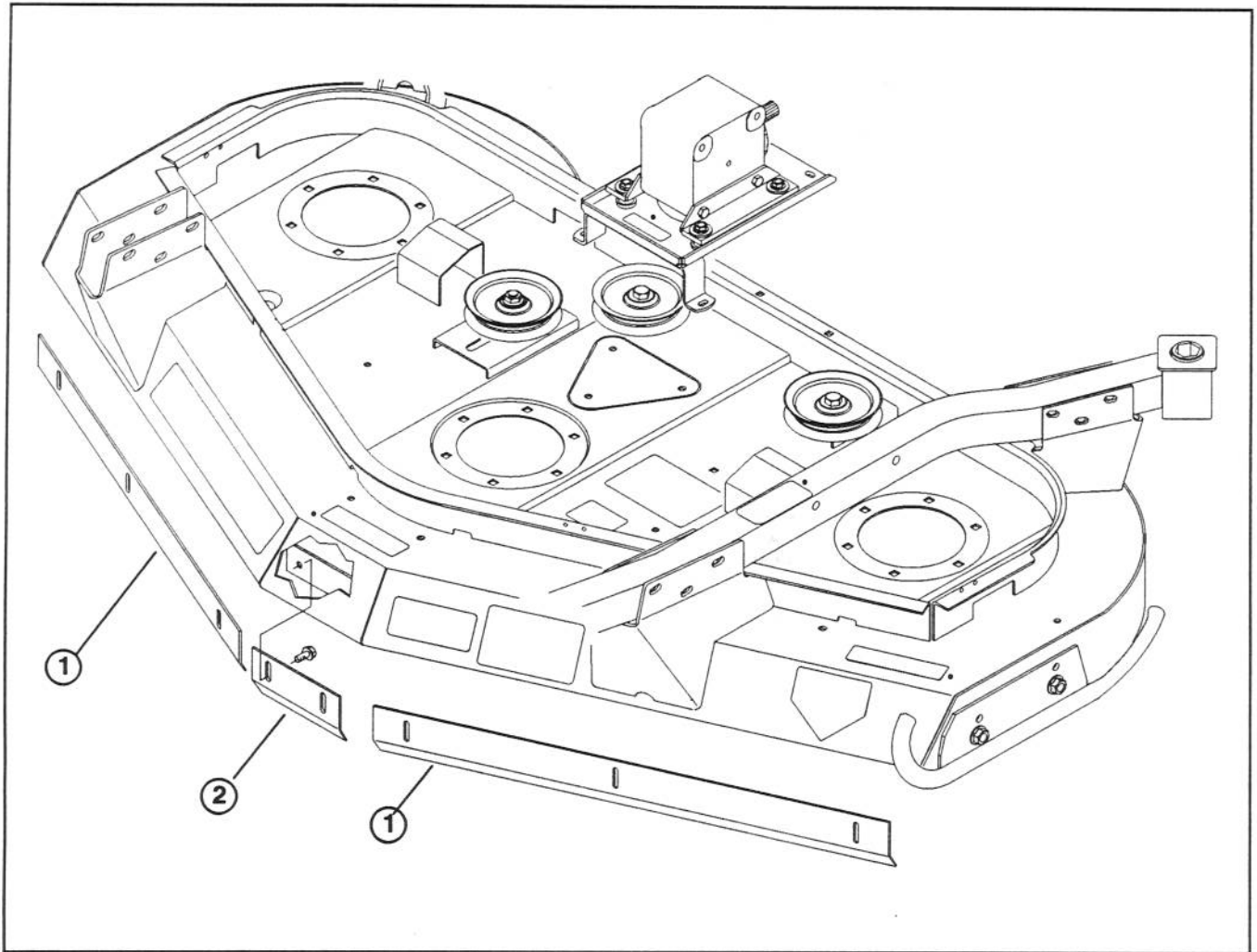


Figure 2

- 1. Side deck baffle
- 2. Center deck baffle

MOUNT PTO SHAFT GUARD

1. Slide PTO Shaft Guard onto PTO shaft, positioning guard as shown in figure 3.

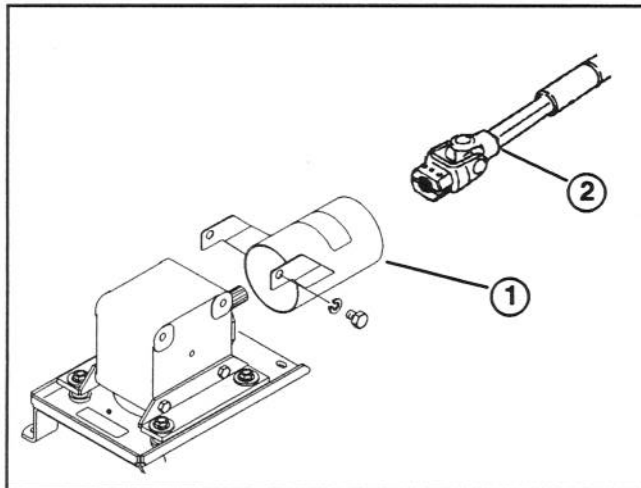


Figure 3

- 1. PTO shaft guard
- 2. PTO shaft

2. Connect PTO shaft to gear box.

3. Secure PTO Shaft Guard mounting brackets to holes in gear box with (2) capscrews and lockwashers (Fig. 3).

SECURE DECK COVERS

1. Remove deck covers.
2. Using dimensions shown in figure 4, locate, mark and drill a .438" dia. hole in each outer deck cover and (2) holes in center cover.
3. Reinstall each cover to deck.
4. Using each deck cover as a template, locate and mark hole locations in deck channel.
5. Remove deck covers and drill (4) .531" dia. holes at locations marked.
6. Install a clinch nut in each hole.
7. Reinstall deck covers and secure each to deck with a flange head capscrew(s).

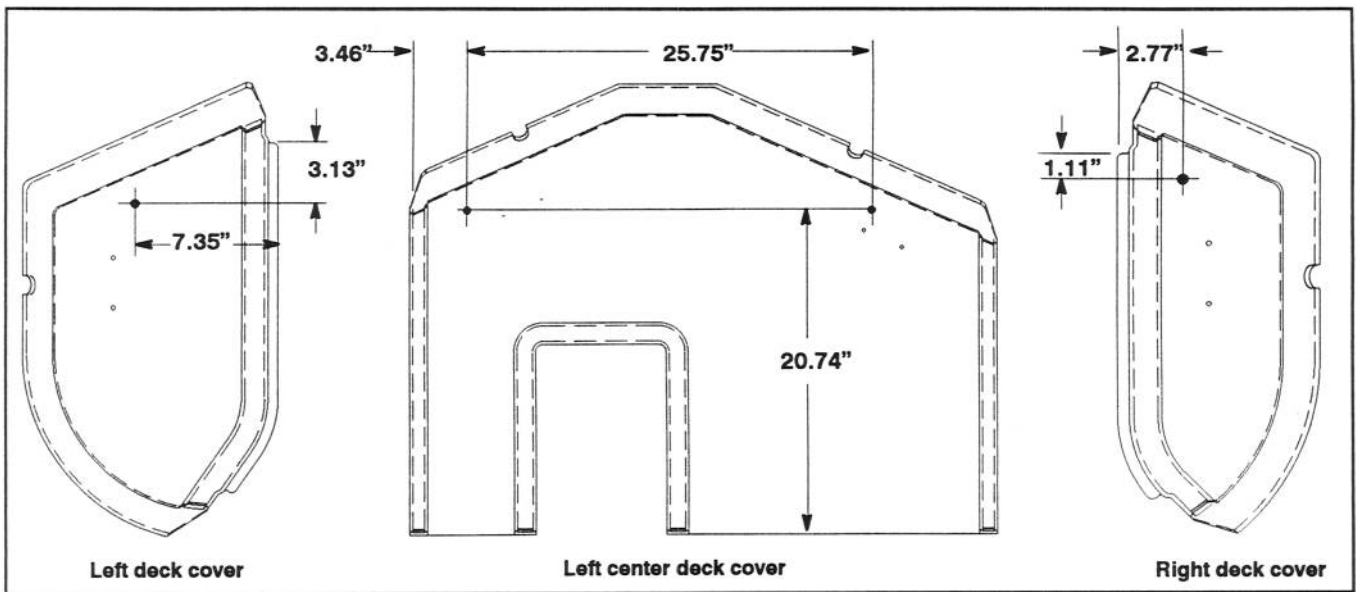


Figure 4

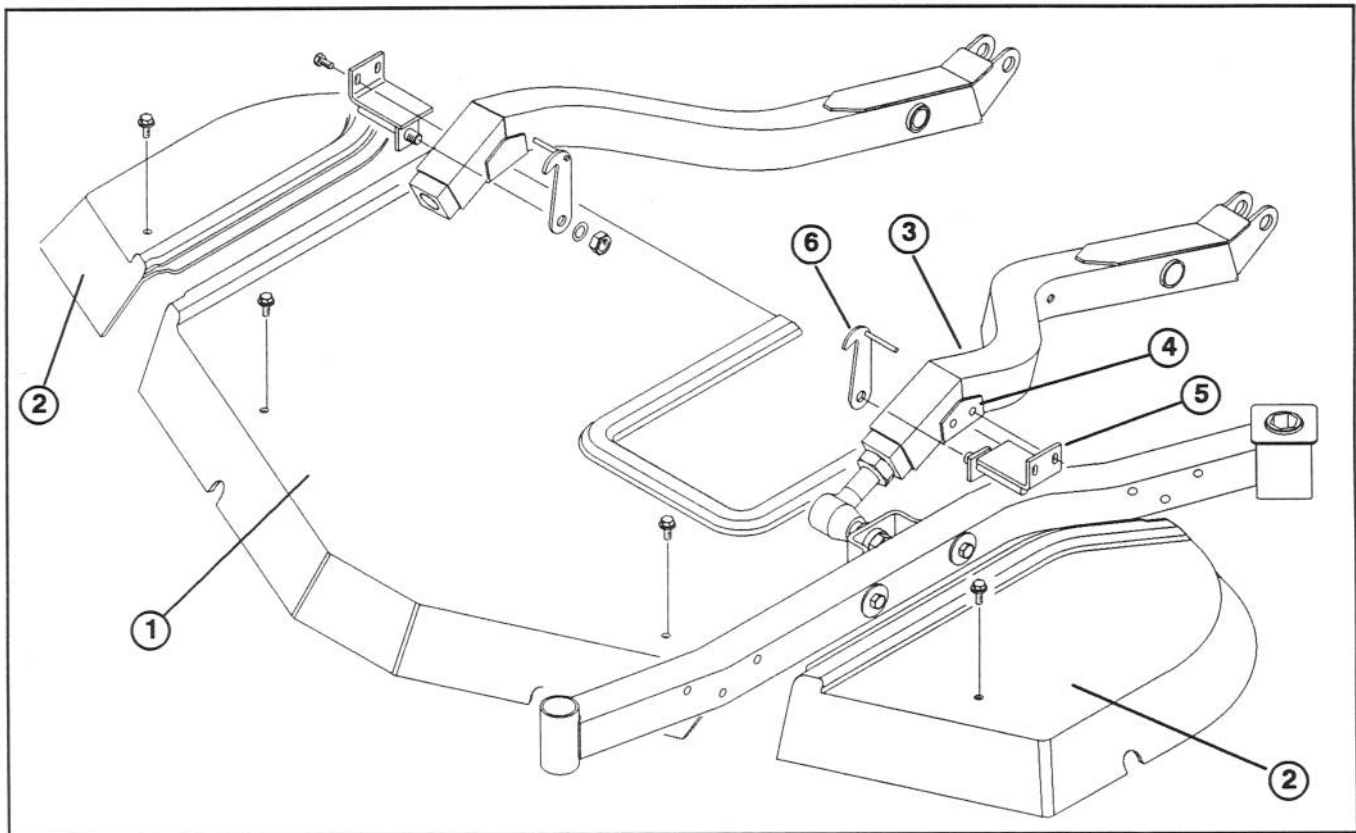


Figure 5

- 1. Center deck cover
- 2. Outer deck cover
- 3. Lift arm
- 4. Lift arm brace

- 5. Left latch bracket
- 6. left deck retainer

MOUNT TRANSPORT LATCHES

1. Position and center left latch bracket onto left lift arm brace (Fig. 5). Latch to be positioned so offset is forward.
2. Using latch bracket as a template, locate, mark and drill (2) .281 dia. holes thru lift arm brace and outer wall of lift arm (Fig. 5).

3. Secure latch bracket to lift arm with (2) 5/16–18 x 3/4" lg. self tapping screws (Fig. 5).
4. Mount left deck retainer to latch bracket with a wave washer and locknut (Fig. 5). Do not over tighten locknut as retainer must be able to pivot freely.
5. Repeat procedure on right lift arm.

6. Using dimensions shown in figure 6, locate, mark and drill (2) .406" dia. holes in left footrest of traction unit. Holes may be already drilled in footrest.

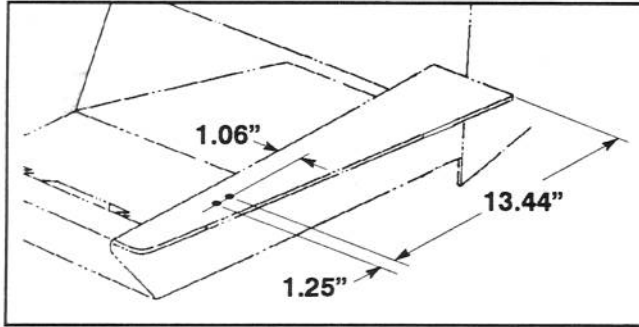


Figure 6

7. Mount left deck bracket to left footrest with (2) capscrews and locknuts. Position bracket as shown in figure 7.

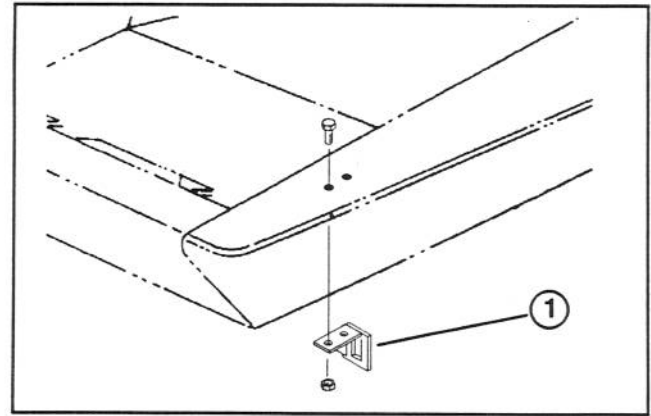


Figure 7

1. Left deck bracket

8. Repeat procedure on right side of machine.

9. To secure deck in raised position, raise deck and pivot deck retainers into locked position in deck brackets.

INSTALL REAR WEIGHT

Two Wheel Drive Groundsmaster 200 Series Traction Units comply with CE Standards when equipped with rear weight. Use chart below to determine combinations of weight required. Order parts from your local Authorized Toro Distributor.

Four Wheel Drive Groundsmaster 200 Series Traction Units do not need additional rear weight to comply with CE Standards.

Traction Unit Description	Rear Weight Required	Weight Part Number	Weight Description	Qty.
Groundsmaster 223-D (Model 30223)	70 lb.	24-5780	Rear Weight Kit (includes two 35 lb. weights and mounting hardware)	1
Groundsmaster 223-D 4 Wheel Drive (Model 30243)	0 lb.	-	-	-

