



**Count on it.**

**Parts Catalog**

**BBA Compliance Kit**  
**Multi-Pro® 5800 Turf Sprayer**  
Model No. 41617

# Ordering Replacement Parts

To order replacement parts, please supply the part number, the quantity, and the description of each part desired.

## Understanding Reference Numbers

Each identified part in an illustration has a reference number. The reference number for a part also appears in the parts list, along with other information about the part.

This catalog uses two special reference number formats, one to indicate parts in a service assembly and another to indicate the quantity of a given part in an illustration.

## Service Assembly Reference Numbers

Parts in service assemblies have reference numbers in the form a:b. The a represents the reference number of the entire service assembly and the b represents a sequential number unique to each part within the service assembly.

For example, a wheel assembly might be identified by reference number 6, the tire by 6:1, the valve by 6:2, and the wheel by 6:3. When you order the assembly identified by reference number 6, you receive all parts identified by reference numbers 6:1, 6:2, and 6:3. However, you may also order any part individually. Reference numbers of this type appear in illustration and in parts lists.

## Reference Numbers Indicating Quantity

In an illustration, if a reference number indicates more than one part, the reference number has the form nX y. The n represents the quantity of the part, the X is the multiplication symbol, and the y represents the reference number.

For example, in an illustration, the reference number 2X 37 means that two of the parts identified by reference number 37 are indicated.

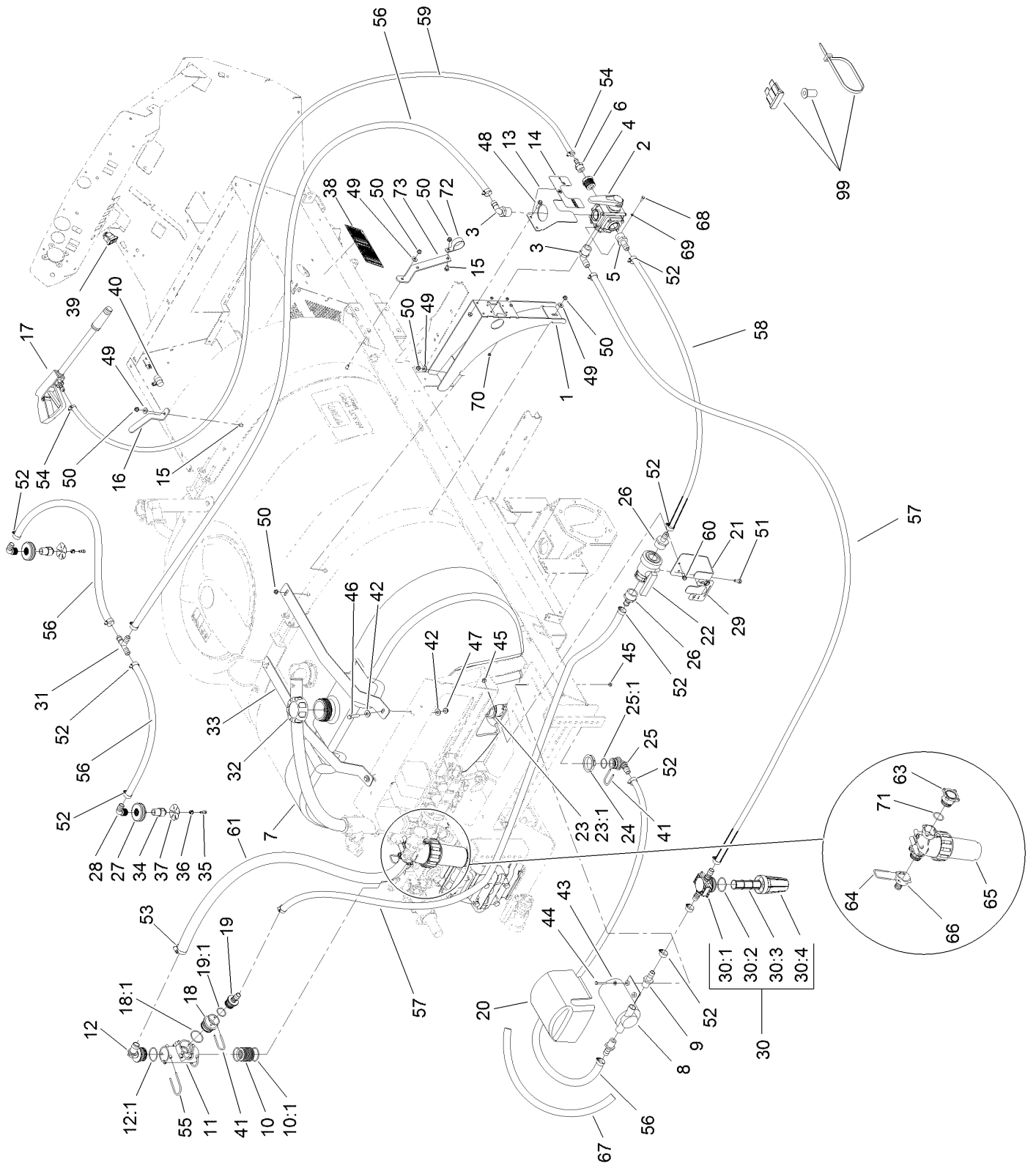
# List of Abbreviations

<b>AR:</b> as required	<b>HOC:</b> height-of-cut	<b>RRB:</b> rear roller brush
<b>ASM:</b> assembly	<b>HSBH:</b> hex socket button head	<b>SFH:</b> slotted fillister head
<b>BBC:</b> blade brake control	<b>HSFH:</b> hex socket flat head	<b>SHH:</b> slotted hex head
<b>BHTF:</b> button head thread forming	<b>HSH:</b> hex socket head	<b>SHWH:</b> slotted hex washer head
<b>CARR:</b> carriage	<b>HWH:</b> hex washer head	<b>SPH:</b> slotted pan head
<b>CCW:</b> counter clockwise	<b>HWTF:</b> hex washer head thread forming	<b>SQH:</b> square head
<b>CW:</b> clockwise	<b>HYD:</b> hydraulic	<b>SRH:</b> slotted round head
<b>DEG:</b> degrees	<b>LH:</b> left hand	<b>STD:</b> standard
<b>DPA:</b> Dual Point Adjustment	<b>LP:</b> Liquid Propane	<b>TAP:</b> self tapping
<b>ECM:</b> electronic control module	<b>NI:</b> nylon insert	<b>TTH:</b> torx truss head
<b>EXT:</b> external	<b>NPTF:</b> national pipe thread fine	
<b>FH:</b> flat head	<b>PFH:</b> phillips flat head	
<b>GA:</b> gauge	<b>PPH:</b> phillips pan head	
<b>HD:</b> heavy-duty	<b>PPHTF:</b> phillips pan head thread forming	
<b>HF:</b> hex flange	<b>PRH:</b> phillips round head	
<b>HH:</b> hex head	<b>PTH:</b> phillips truss head	
<b>HHF:</b> hex head flange	<b>PTO:</b> power-take-off	
<b>HHFTF:</b> hex head flange thread forming	<b>RH:</b> right hand	
<b>HJ:</b> hex jam	<b>ROPS:</b> roll-over protection system	
<b>HLH:</b> hex lag head		

# Contents

BBA Compliance Kit.....	4
Spray Gun Assembly No. 100-6733.....	6
Pressure Filter Assembly No. 120-8586.....	7

# BBA Compliance Kit

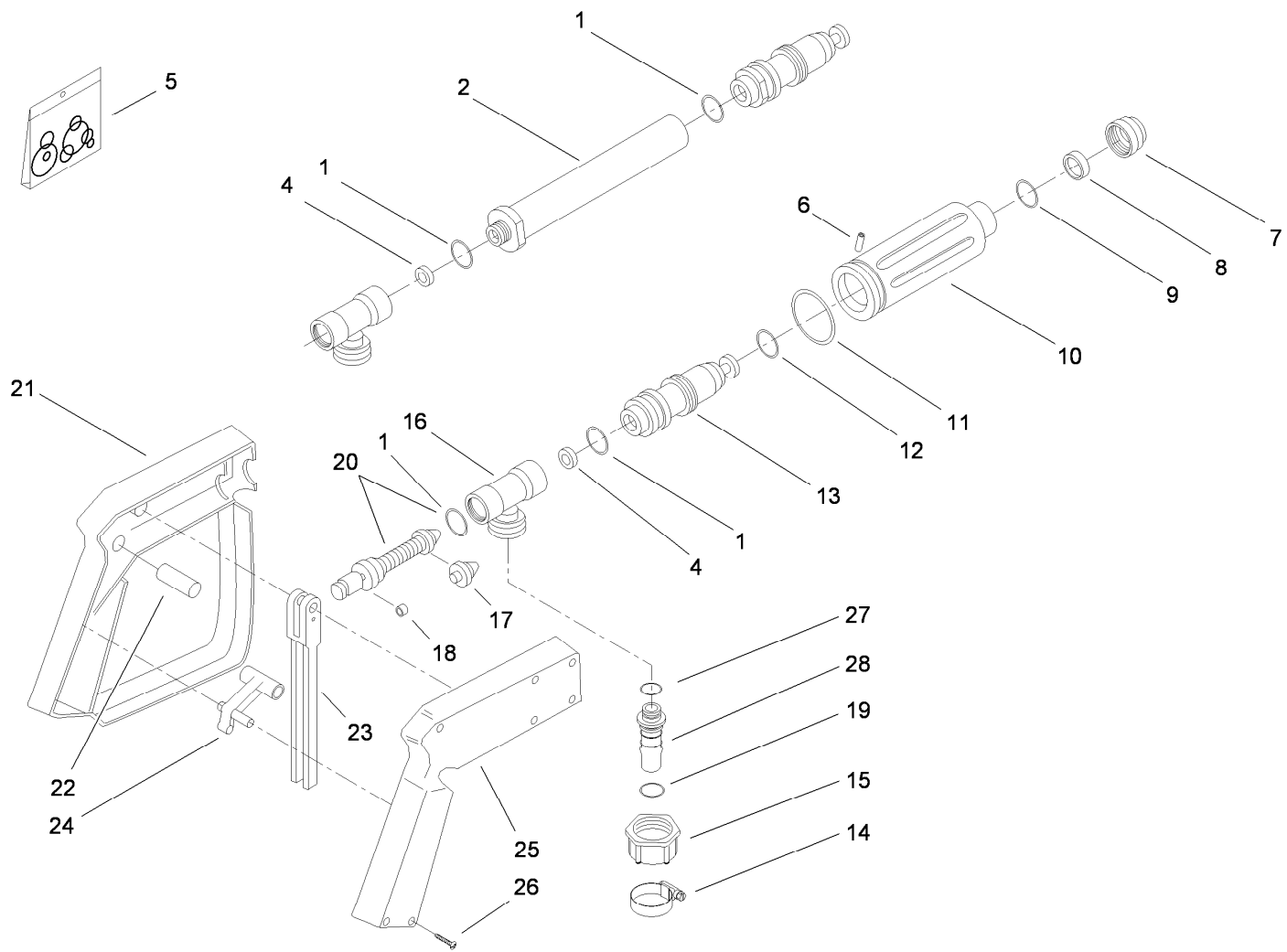


## BBA Compliance Kit (continued)

<i>Ref.</i>	<i>Part Number</i>	<i>Qty.</i>	<i>Description</i>	<i>Ref.</i>	<i>Part Number</i>	<i>Qty.</i>	<i>Description</i>
1	120-0730-03	1	Valve Mount ASM	34	119-0479	2	Nozzle-Rinse
2	119-4980	1	Valve-4-Way	35	119-4881	2	Bolt-Shoulder
3	120-0688	2	Hosebarb-90 DEG	36	119-0528	2	Bushing
4	120-0669	1	Reducer	37	119-0527	2	Vain-Rinse
5	120-0670	1	Hosebarb	38	120-0723	1	Decal-Nozzle Chart
6	120-0668	1	Hosebarb	39	120-0695	1	Switch-Rocker, 0N-Off-(On)
7	117-8004	1	Tank-Rinse, 30 Gallon	40	119-5778	1	Timer-Delay
8	117-7872	1	Pump-Rinse	41	100-6708	2	Fork
9	119-0496	2	Hosebarb	42	3256-4	4	Washer-Flat
10	106-4947	1	Connector	43	3256-22	4	Washer-Flat
10:1	100-8637	2	O-Ring	44	321-10	4	Screw-HH
11	100-6704	1	Tee	45	32128-33	6	Nut-HF
12	106-4933	1	Hosebarb ASM	46	323-10	2	Screw-HH
12:1	100-8637	1	O-Ring	47	104-8301	2	Nut-Flange, NI
13	120-0657-03	1	Bracket-Face Plate	48	3234-17	2	Screw-HHF
14	120-0673	1	Decal-Selection	49	3256-3	4	Washer-Flat
15	3230-1	7	Bolt-CARR	50	104-8300	9	Nut-Flange, NI
16	40153-03	1	Hook-Hose	51	3234-5	2	Screw-HHF
17	100-6733	1	Sprayer-Handheld	52	2412-34	16	Clamp-Hose
18	106-4938	1	Reducer ASM	53	2412-3	2	Clamp-Hose
18:1	100-8637	1	O-Ring	54	2412-36	1	Clamp-Hose
19	106-4939	1	Hosebarb-Straight	55	100-8635	3	Fork
19:1	100-6712	1	O-Ring	56	119-0493	4	Hose-Supply, Rinse
20	119-4898	1	Cover-Rinse Pump	57	80-6517	2	Hose-Pressure
21	120-0724-03	1	Mount-Valve	58	42274	1	Hose-Boom, Center
22	108-0069	1	Valve-Ball	59	107-8751	1	Hose-Spray Gun
23	106-4896	1	Fitting-Bulkhead	60	3234-4	2	Screw-HHF
23:1	100-6710	1	Gasket-Bulkhead	61	119-0516	1	Hose-Drain Valve
24	100-6713	1	Nut-Bulkhead	63	120-8648	1	Adapter-Flange, Male
25	106-4940	1	Hosebarb-90 DEG	64	119-4863	1	Fork
25:1	100-6712	1	O-Ring	65	120-8685	1	Filter-Pressure
26	120-0652	2	Hosebarb	66	120-8649	1	Hosebarb-Str, Female
27	119-0489	2	Bulkhead	67	120-0721	1	Conduit-Convolutd
28	119-0490	2	Elbow-Hosebarb	68	33113-016	4	Screw-HH
29	120-0687	1	Decal-Rinse Flow	69	33093-00	4	Washer-Flat
30		1	Rinse Pump Filter ASM ■	70	33023-00	4	Nut-Lock
30:1	120-0650	1	Head-Filter	71	119-4869	1	O-Ring
30:2	100-6993	1	O-Ring	72	2412-147	2	Clamp
30:3	100-6756	1	Element-Filter, Pressure	73	120-0733-03	1	Bracket-Spray Gun
30:4	100-6772	1	Bowl-Pressure, Filter	99	99-6124	1	Fuse-Blade, 40 Amp
31	108-3439	1	Tee	99	112-7929	1	Beaker-Plastic ●
32	107-8641	1	Cap-Water, Fresh	99	120-0674	11	Filter-Nozzle
33	117-7897-03	2	Strap-Tank, Rinse	99	3290-378	2	Cable Tie

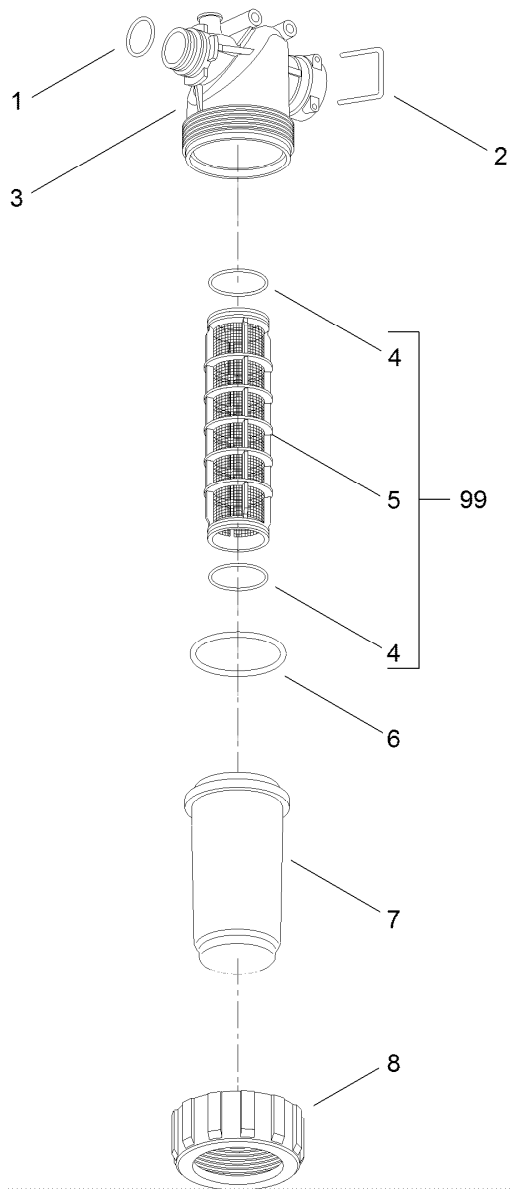
● Not illustrated

■ Not serviced separately



## Spray Gun Assembly No. 100-6733

<i>Ref.</i>	<i>Part Number</i>	<i>Qty.</i>	<i>Description</i>	<i>Ref.</i>	<i>Part Number</i>	<i>Qty.</i>	<i>Description</i>
1	100-6649	3	O-Ring	16	99-0883	1	Housing-Valve
2	99-0885	1	Extension-Lance	17	104-8860	1	Cone
4	99-0884	1	Seal-Valve, On/Off	18	104-8861	1	Sleeve-Rubber
5	99-0779	1	Repair Kit	19	100-6647	1	O-Ring
6	99-0887	1	Pin	20	99-0882	1	Valve ASM
7	99-0890	1	Housing-Nozzle	21	99-0877	1	Handle-LH
8	99-0889	1	Nozzle-Ceramic	22	99-0878	1	Stop-Trigger, Rubber
9	100-6650	1	O-Ring	23	99-0880	1	Arm-Trigger
10	99-0886	1	Housing-Swirl	24	99-0879	1	Arm-Safety, Trigger
11	100-6646	1	O-Ring	25	99-0881	1	Handle-RH
12	100-6644	1	O-Ring	26	100-6666	1	Screw
13	99-0780	1	Swirl	27	100-6648	1	O-Ring
14	99-0772	1	Clamp-Hose	28	106-5093	1	Hosebarb-Brass
15	107-8734	1	Nut-Swivel				



## Pressure Filter Assembly No. 120-8586

<i>Ref.</i>	<i>Part Number</i>	<i>Qty.</i>	<i>Description</i>
1	119-4869	1	O-Ring
2	119-4863	1	Fork
3	120-8692	1	Head-Filter
4	120-8695	2	O-Ring
5	120-8697	1	Element-Filter
6	120-8696	1	O-Ring
7	120-8693	1	Housing-Filter
8	120-8694	1	Flynut-Filter
99	120-8698	1	Element-Filter
99	120-8699	1	Element-Filter



**Count on it.**