



**44" RECYCLER KIT**  
for 44" Side Discharge Mowers

<b>MODEL NO. 59220</b>	<b>INSTALLATION INSTRUCTIONS</b>
------------------------	----------------------------------

ONLY COPY  
DO NOT REMOVE

**Loose Parts**

**Note:** Use the chart below to verify all parts have been shipped.

DESCRIPTION	QTY.	USE
Baffle	1	Mount inside mower deck.
Kickers	3	Mount inside mower deck.
Kicker Plate	1	
Template	1	Locates baffle in mower deck.
Blades	3	Replaces side discharge blades.
Drive Pulley	1	Replace deck drive pulley and belt. (Model 30144 only)
Drive Belt	1	
Loose Parts Bag	1	All miscellaneous parts.

**Note:** Care has been taken in locating recycler in the mower deck so mounting holes will not interfere with existing components. Before drilling mounting holes for installation check that there will be no interference with other mower deck parts. If necessary for clearance, recycler mounting holes may be moved slightly. Move as little as possible to maintain maximum performance.

**Pre-Installation**

- 1 Remove mower unit (see Operator's Manual for instructions).
- 2 Thoroughly clean mower deck. All debris must be removed to ensure kickers and baffle will fit properly against mower deck.

**Note:** Some model mowers may have hardware that interferes with baffle. If interference occurs cut out area of baffle to gain clearance.

- 3 Repair all bent or damaged areas of mower deck and replace any missing parts.

## Installation

- 1 Remove belt covers from mower deck.

**Note:** Model 30144 replace drive pulley and drive belt. Torque pulley mounting nut to 100-120 ft-lb (135-163 Nm).

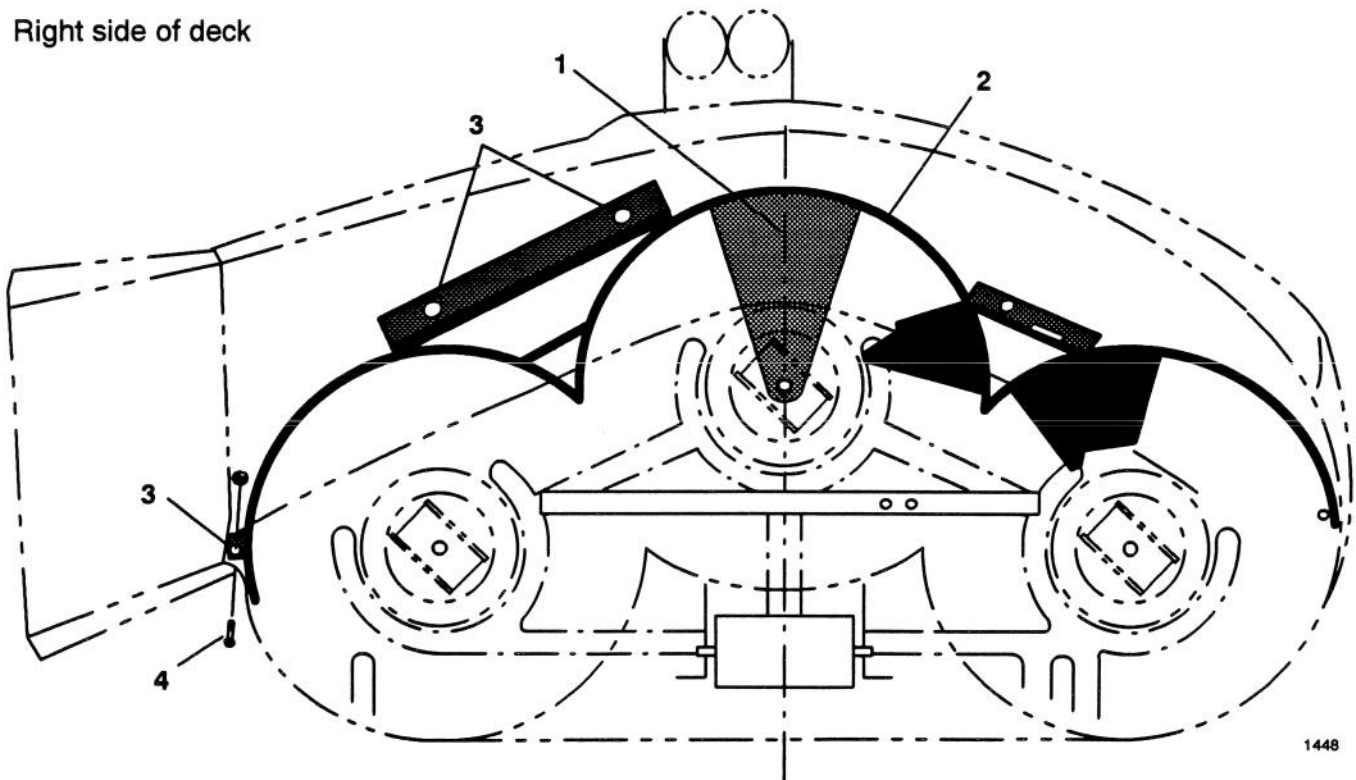
- 2 Tip mower deck upside down and block up ends to ease installation of recycler components.
- 3 Remove blades and anti-scalp cups from spindles. Save for use when side discharging.
- 4 Install template onto center spindle and align with center line at front of mower deck (Fig. 1). Hold template in position by loosely installing a blade mounting bolt.

- 5 Place baffle inside cutting chamber. Position center chamber of baffle so it touches location template. Clamp right side of baffle at rear edge of the discharge chute (Fig. 1).

**IMPORTANT: Before drilling mounting holes for installation check that there will be no interference with other mower deck parts.**

- 6 Using the baffle as a guide, drill (3) 11/32 (.343) inch holes in the right side and discharge chute brackets of the baffle (only discharge chute side) (Fig. 1).
- 7 Place 5/16-18 x 5/8 inch bolts from outside of deck through bracket and secure baffle with lock nuts (Fig. 1).
- 8 Place 5/16-18 x 1 inch bolt from outside of deck through bracket at discharge chute and secure with lock nut (Fig. 1).

Right side of deck



1448

Figure 1

- |                           |                                |
|---------------------------|--------------------------------|
| 1 Template on center line | 3 Drill 11/32 (.343) inch hole |
| 2 Baffle                  | 4 Bolt from outside deck       |

- 9 Move template to left hand spindle (side away from discharge chute). Align template parallel with center line of mower deck and clamp left side of baffle flush with bottom edge of mower deck (Fig. 2).
  - 10 Using baffle as a guide, drill (2) 11/32 (.343) inch holes in left side bracket and baffle. Place 5/16-18 x 5/8 inch bolts through from outside of deck at bracket and from inside deck at baffle. Secure with lock nuts.
  - 11 Remove and discard template.
  - 12 Place kicker plate into center chamber so tab is in recessed area against rear deck baffle (Fig. 2).
  - 13 Place two (2) kickers into deck on raised area, not in depressions, on outer chamber center lines (Fig. 2).
  - 14 Place third kicker 1 inch from left/center joint of deck baffle (Fig. 2).
  - 15 Hold kickers and plate tight against deck baffle as shown and mark hole locations.
  - 16 Remove kickers and plate, drill (4) 11/32 (.343) inch holes in deck. Secure kickers with 5/16-18 x 1 inch bolts and lock nuts on inside of deck.
  - 17 Tighten all mounting hardware securely.
  - 18 Install new recycler blades without anti-scalp cups.
- IMPORTANT: The sail part of the blades, the turned up section, must face the inside of the mower to assure proper cutting.**
- 19 Tighten the blade mounting bolts to 85-110 ft-lb (115-150 Nm).
  - 20 Rotate blades to assure there is enough clearance between blades and baffle. There should be approximately 5/8 inch clearance at front edge and 1/4 inch at each side.
  - 21 Turn mower deck over and install belt covers.
  - 22 Install mower deck onto traction unit (see Operator's Manual for instructions).

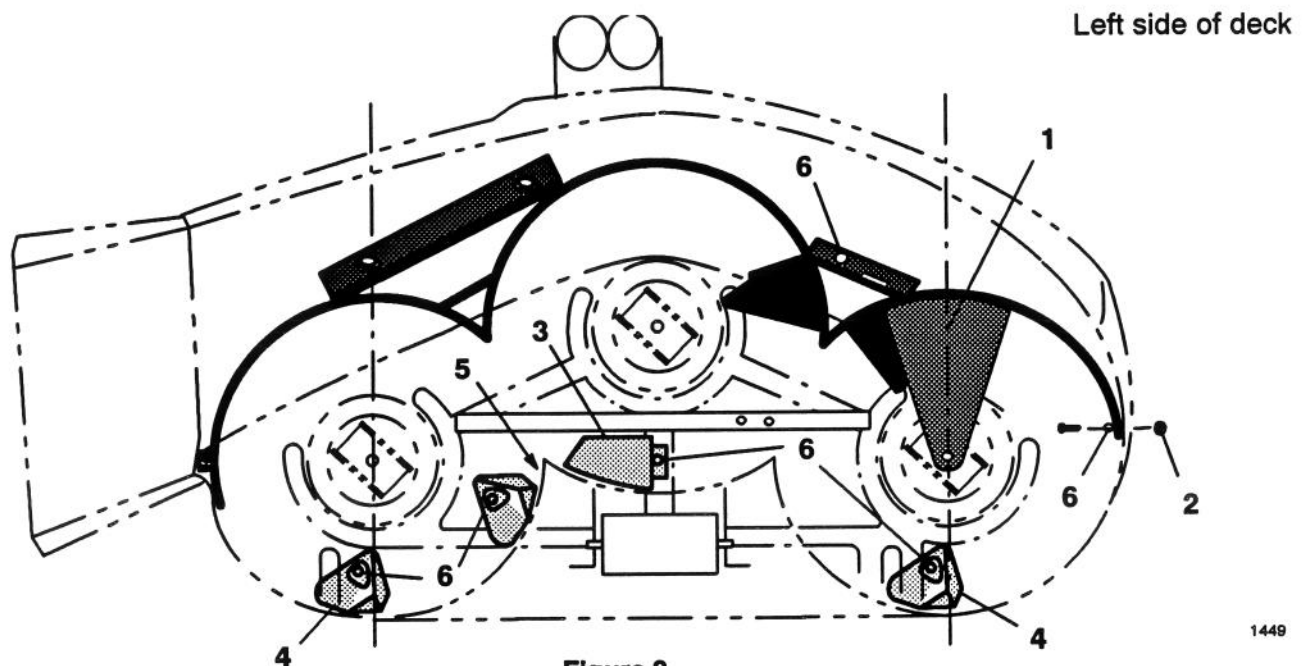


Figure 2

- |                           |                                |
|---------------------------|--------------------------------|
| 1 Template on center line | 4 Kicker on center line        |
| 2 Lock nut outside deck   | 5 Kicker 1 inch from joint     |
| 3 Kicker plate            | 6 Drill 11/32 (.343) inch hole |

1449

## Recycling Tips

**Selecting The Proper Height-Of-Cut Setting To Suit Conditions** – Remove approximately one inch or no more than 1/3 of the grass blade when cutting. In exceptionally lush and dense grass you may have to raise your height-of-cut setting another notch or convert to side discharge or bagging operations.

**Mowing In Extreme Conditions** – Air is required to cut and recut grass clippings in mower housing, so do not set height-of-cut too low or totally surround housing by uncut grass. Always try to have one side of the mower housing free from uncut grass, allowing air to be drawn into housing. When making an initial cut thru center of uncut area, operate machine slower and back up if mower starts to clog.

**Mow At Proper Intervals** – Under most normal conditions you'll need to mow approximately every 4–5 days. But remember, grass grows at different rates at different times. This means that in order to maintain the same height-of-cut, which is a good practice, you'll need to cut more frequently in early spring; as the grass growth rate slows in mid summer, cut only every 8–10 days. If you are unable to mow for an extended period due to weather conditions or other reasons, convert to side discharge or bagging options or mow first with the height-of-cut at a high level; then mow again 2–3 days later with a lower height setting.

**Note:** When using mower in side discharge mode only baffle must be removed. Mounting hardware must be installed in open holes. Kickers do not have to be removed.

**Always Mow With Sharp Blades** – A sharp blade cuts cleanly and without tearing or shredding the grass blade like a dull blade. Tearing and shredding causes the grass to turn brown at the edges which impairs growth and increases susceptibility to disease.

**After Operating** – To assure optimum performance, clean underside of mower housing, especially around inserts (kickers) after each use. If residue is allowed to build up in mower housing and on inserts, cutting performance will decrease.

### DANGER

#### POTENTIAL HAZARD

- **Open holes in the mower exposes you and others to thrown debris.**

#### WHAT CAN HAPPEN

- **Debris thrown out of holes in the mower can cause injury.**

#### HOW TO AVOID THE HAZARD

- **Never operate mower without hardware mounted in all holes in mower.**
- **Install hardware in mounting holes when recycle baffle is removed.**

### DANGER

#### POTENTIAL HAZARD

- **Without the grass deflector or entire grass catcher assembly mounted in place, you and others are exposed to blade contact and thrown debris.**

#### WHAT CAN HAPPEN

- **Contact with rotating mower blade(s) and thrown debris will cause injury or death.**

#### HOW TO AVOID THE HAZARD

- **NEVER operate mower without grass deflector or entire grass catcher in place.**
- **Never put your hands or feet under the mower.**
- **Never try to clear discharge area or mower blades unless you move the blade control (PTO) to "DISENGAGED" and rotate the ignition key to "OFF." Also remove the key and pull the wire off the spark plug.**