



Count on it.

Parts Catalog

Workman® 200 Spray System

Heavy-Duty Workman® Vehicles

Model No. 41235—Serial No. 31000001 and Up

Ordering Replacement Parts

To order replacement parts, please supply the part number, the quantity, and the description of each part desired.

Understanding Reference Numbers

Each identified part in an illustration has a reference number. The reference number for a part also appears in the parts list, along with other information about the part.

This catalog uses two special reference number formats, one to indicate parts in a service assembly and another to indicate the quantity of a given part in an illustration.

Service Assembly Reference Numbers

Parts in service assemblies have reference numbers in the form a:b. The a represents the reference number of the entire service assembly and the b represents a sequential number unique to each part within the service assembly.

For example, a wheel assembly might be identified by reference number 6, the tire by 6:1, the valve by 6:2, and the wheel by 6:3. When you order the assembly identified by reference number 6, you receive all parts identified by reference numbers 6:1, 6:2, and 6:3. However, you may also order any part individually. Reference numbers of this type appear in illustration and in parts lists.

Reference Numbers Indicating Quantity

In an illustration, if a reference number indicates more than one part, the reference number has the form nX y. The n represents the quantity of the part, the X is the multiplication symbol, and the y represents the reference number.

For example, in an illustration, the reference number 2X 37 means that two of the parts identified by reference number 37 are indicated.

List of Abbreviations

AR: as required

ASM: assembly

BBC: blade brake control

BHTF: button head thread forming

CARR: carriage

CCW: counter clockwise

CW: clockwise

DEG: degrees

DPA: Dual Point Adjustment

ECM: electronic control module

EXT: external

FH: flat head

GA: gauge

HD: heavy-duty

HF: hex flange

HH: hex head

HHF: hex head flange

HHFTF: hex head flange thread forming

HJ: hex jam

HLH: hex lag head

HOC: height-of-cut

HSBH: hex socket button head

HSFH: hex socket flat head

HSH: hex socket head

HWH: hex washer head

HWTF: hex washer head thread forming

HYD: hydraulic

LH: left hand

LP: Liquid Propane

NI: nylon insert

NPTF: national pipe thread fine

PFH: phillips flat head

PPH: phillips pan head

PPHTF: phillips pan head thread forming

PRH: phillips round head

PTH: phillips truss head

PTO: power-take-off

RH: right hand

ROPS: roll-over protection system

RRB: rear roller brush

SFH: slotted fillister head

SHH: slotted hex head

SHWH: slotted hex washer head

SPH: slotted pan head

SQH: square head

SRH: slotted round head

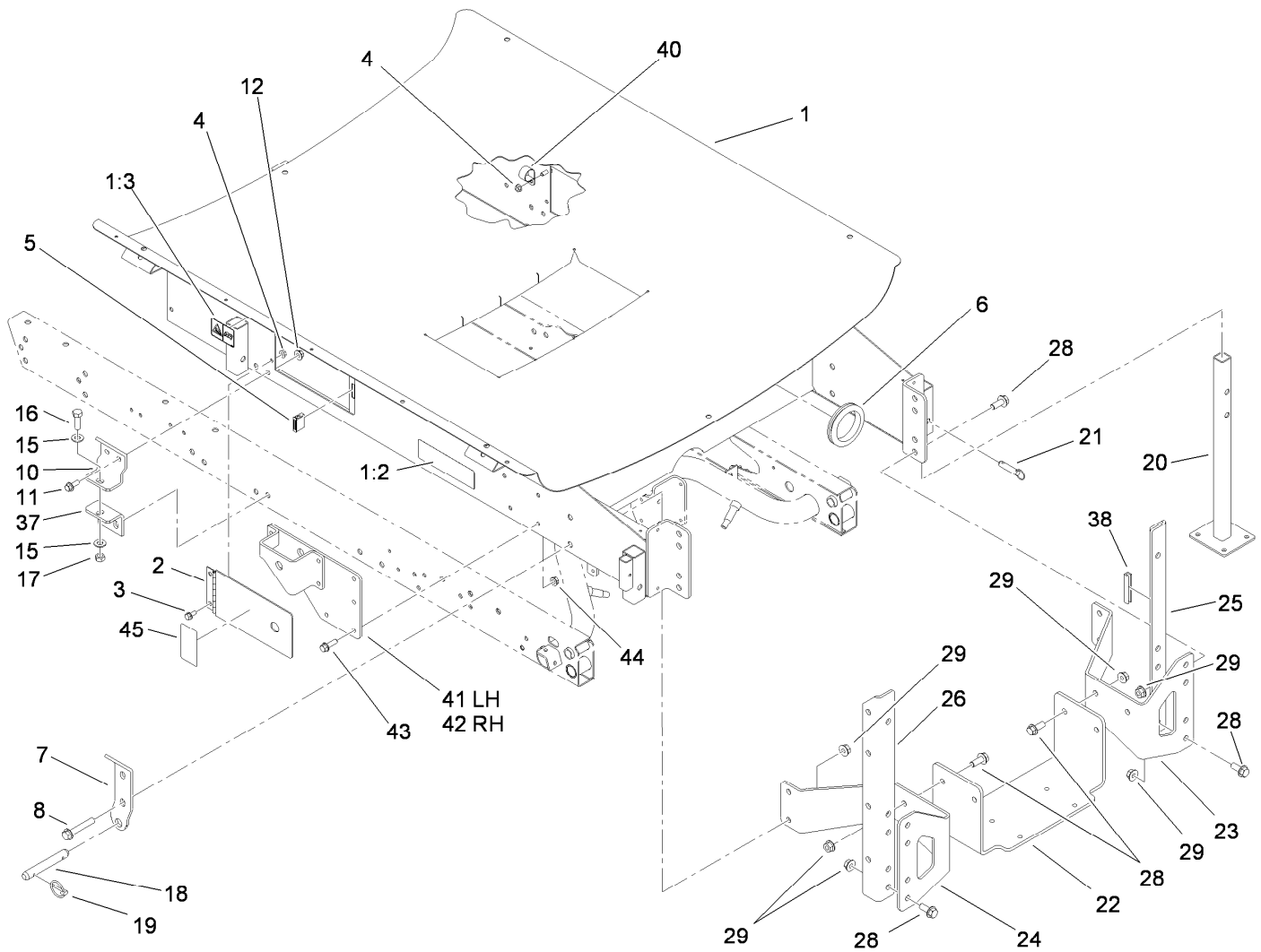
STD: standard

TAP: self tapping

TTH: torx truss head

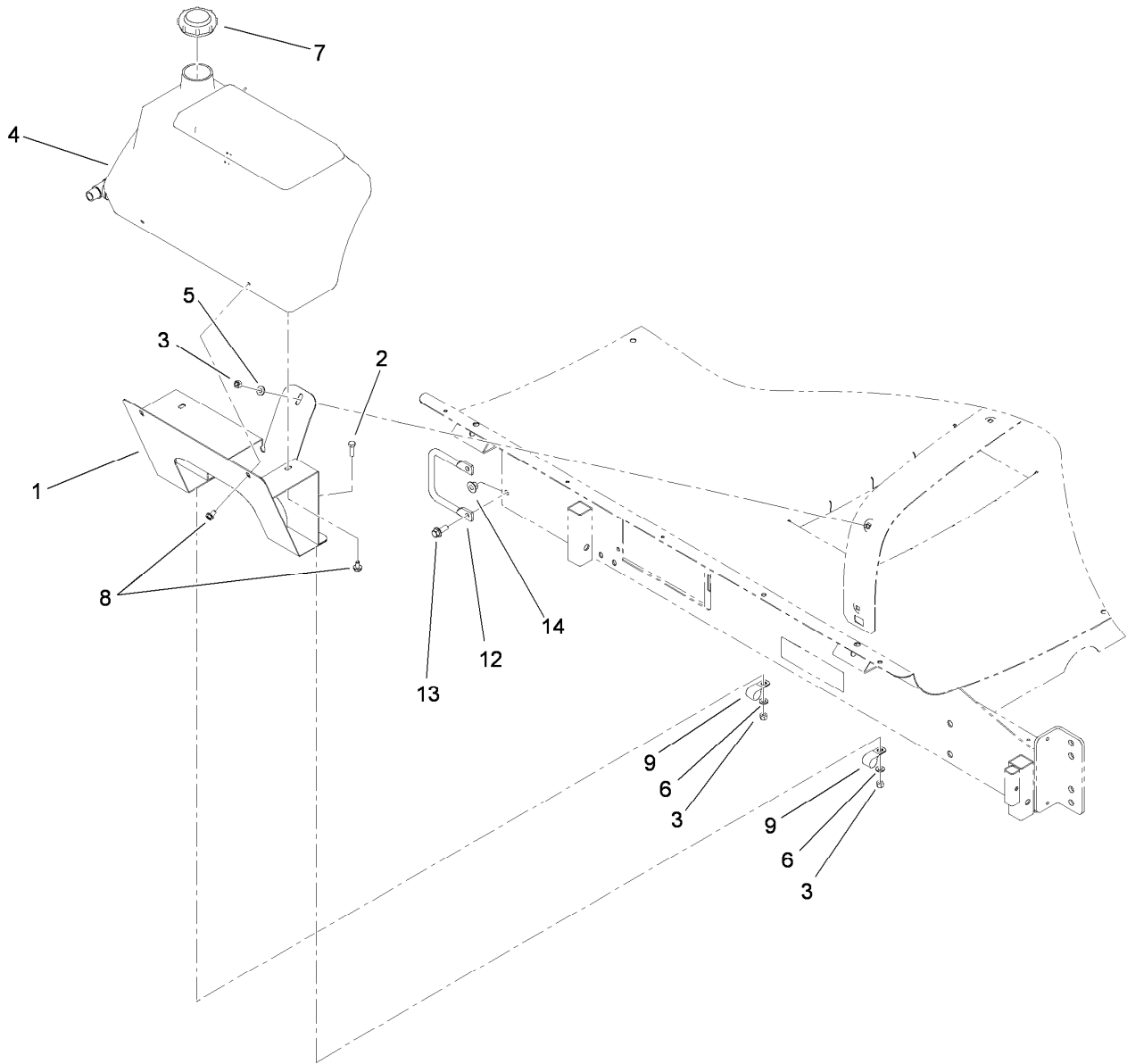
Contents

Skid and Frame Assembly	4
Fresh Water Tank Assembly	5
Fresh Water Tank Assembly No. 100-8438	6
Tank and Cover Assembly	7
200 Gallon Tank Assembly No. 106-1366	8
Lid Seal Assembly	9
Lid Assembly	10
Pump and Drive Assembly	11
Pump Assembly No. 106-5121	12
Drive Shaft Assembly No. 107-2810	13
Upper Sprayer Component Assembly	14
Pressure Damper Assembly No. 100-6662	15
Suction and Drain Assembly	16
Tank Drain Assembly	17
Upper Tank Drain Bulkhead Assembly	18
Top Mounted Suction Assembly No. 107-2800	19
Lower Sprayer Component Assembly	20
Safety Valve Assembly No. 100-6820	21
Control Valve Assembly	22
Regulating Valve Assembly No. 119-0466	23
Flow Meter Assembly No. 106-1038	24
Boom Valve Manifold Assembly No. 119-0458	25
Bypass Valve Assembly No. 119-0456	26
Control Box Assembly	27
Electrical Assembly	28
Hose Assembly	29
Center Boom Assembly	31
Left and Right Hand Boom Assembly	32
RH Single Body Turret Assembly No. 108-3726	33
LH Single Turret Body Assembly No. 108-3725	34
Double Turret Body Assembly No. 108-3727	35
Attachments and Accessories	36



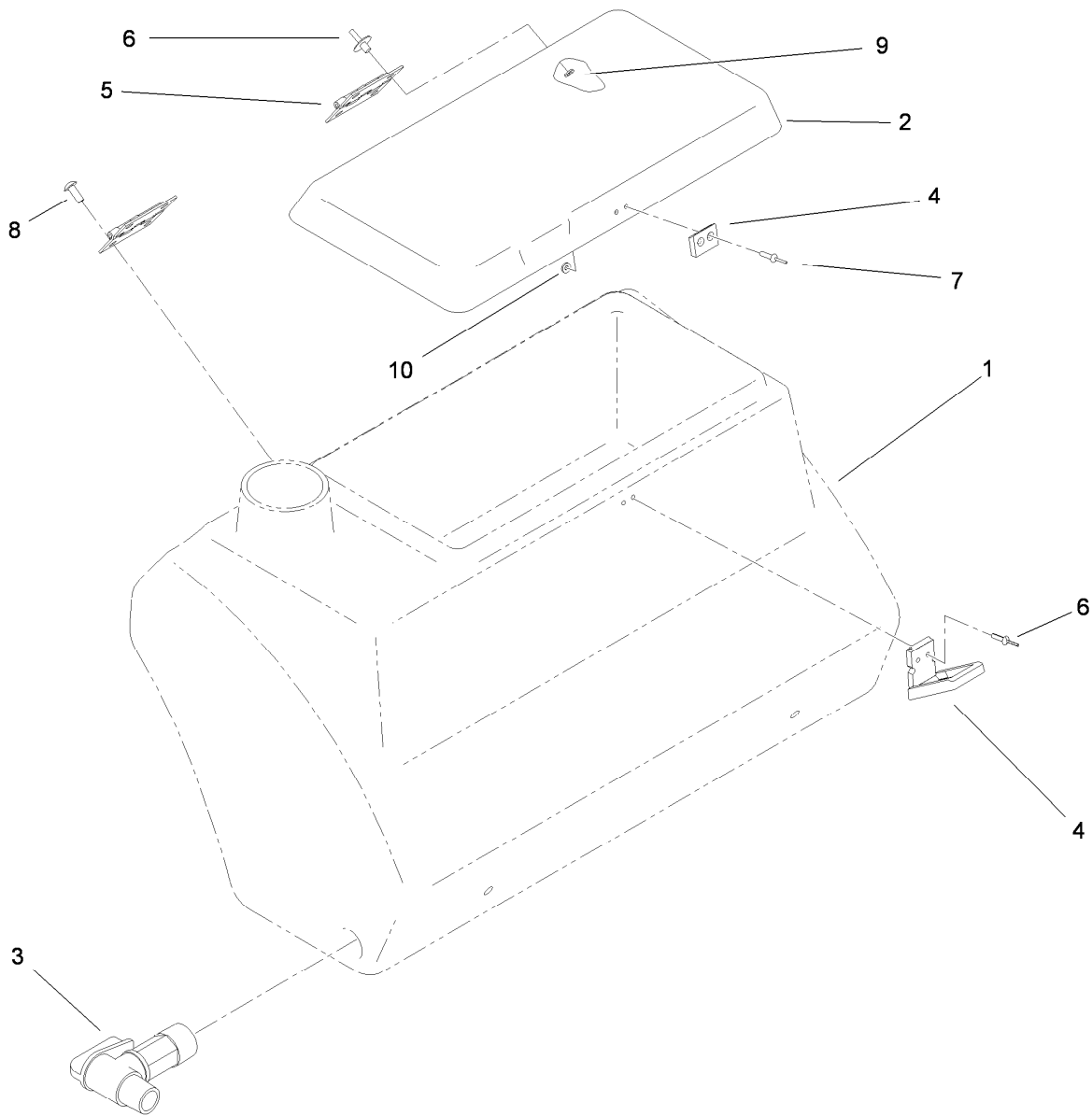
Skid and Frame Assembly

Ref.	Part Number	Qty.	Description	Ref.	Part Number	Qty.	Description
1	106-1367	1	Skid ASM	20	105-9482-03	4	Jack Stand ASM
1:2	106-1365	1	Decal-Danger	21	100-4523	4	Pin-Hitch
1:3	106-1434	2	Decal-Caution	22	106-1345-03	1	Base-Pump
2	106-1290-03	2	Door ASM	23	108-3496-03	1	Bracket-Pump, RH
3	3234-5	4	Screw-HHF	24	108-3497-03	1	Bracket-Pump, LH
4	32128-20	4	Nut-HF	25	108-3703-03	1	Angle-Boom Mount, RH
5	92-3700	2	Magnet-Door	26	108-3704-03	1	Angle-Boom Mount, LH
6	237-102	3	Grommet	28	3234-32	10	Screw-HHF
7	107-2858	2	Pivot-Lug	29	32128-49	14	Nut-HHF
8	3234-40	4	Screw-HF	37	92-2667-03	2	Bracket-Mount
10	107-2859	2	Bracket-Mount, Front	38	70-2041	1	Trim
11	3234-42	4	Screw-HHF	40	2412-126	1	R-Clamp
12	32128-43	4	Nut-Flange	41	119-0686-03	1	LH Cylinder Mount ASM
15	3256-26	4	Washer-Flat	42	119-0688-03	1	RH Cylinder Mount ASM
16	325-6	2	Screw-HH	43	110-5050	16	Screw-HHF
17	32153-5	2	Nut-Hex	44	3290-357	16	Nut-HHF, Whiz
18	92-1233	2	Pin-Clevis	45	119-0651	2	Decal-Tipping
19	92-1298	4	Pin-Lynch				



Fresh Water Tank Assembly

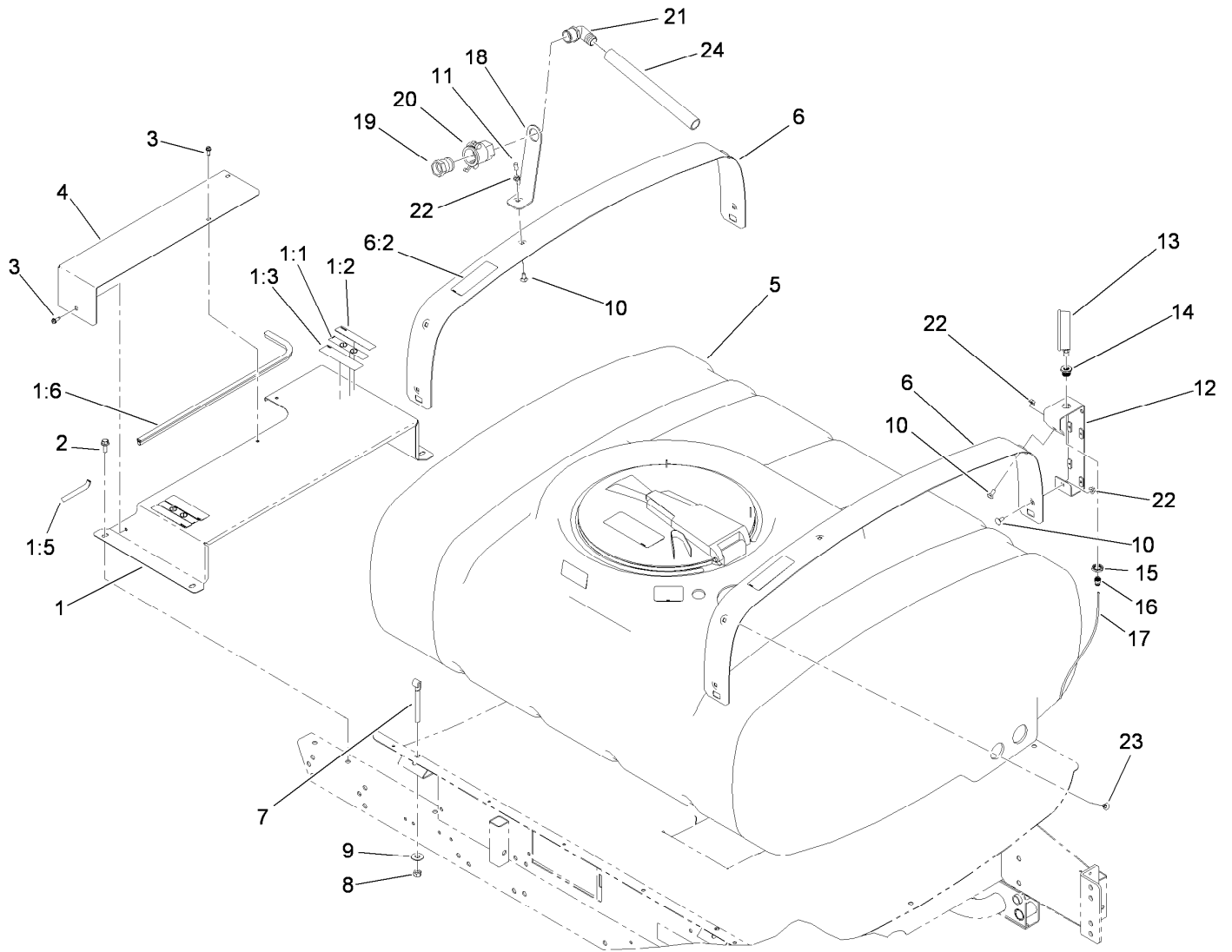
Ref.	Part Number	Qty.	Description
1	107-2819-03	1	Fresh Water Tank Bracket ASM
2	322-5	2	Screw-HH
3	3296-29	3	Nut-Lock, NI
4	100-8438	1	Fresh Water Tank ASM
5	3256-56	1	Washer-Flat
6	3256-23	2	Washer-Flat
7	100-7008	1	Cap-Tank, Fresh Water
8	3234-28	4	Screw-HHF
9	2412-4	2	Clamp
12	106-1357	2	Handle
13	3234-42	4	Screw-HHF
14	32128-43	4	Nut-Flange



Fresh Water Tank Assembly No. 100-8438

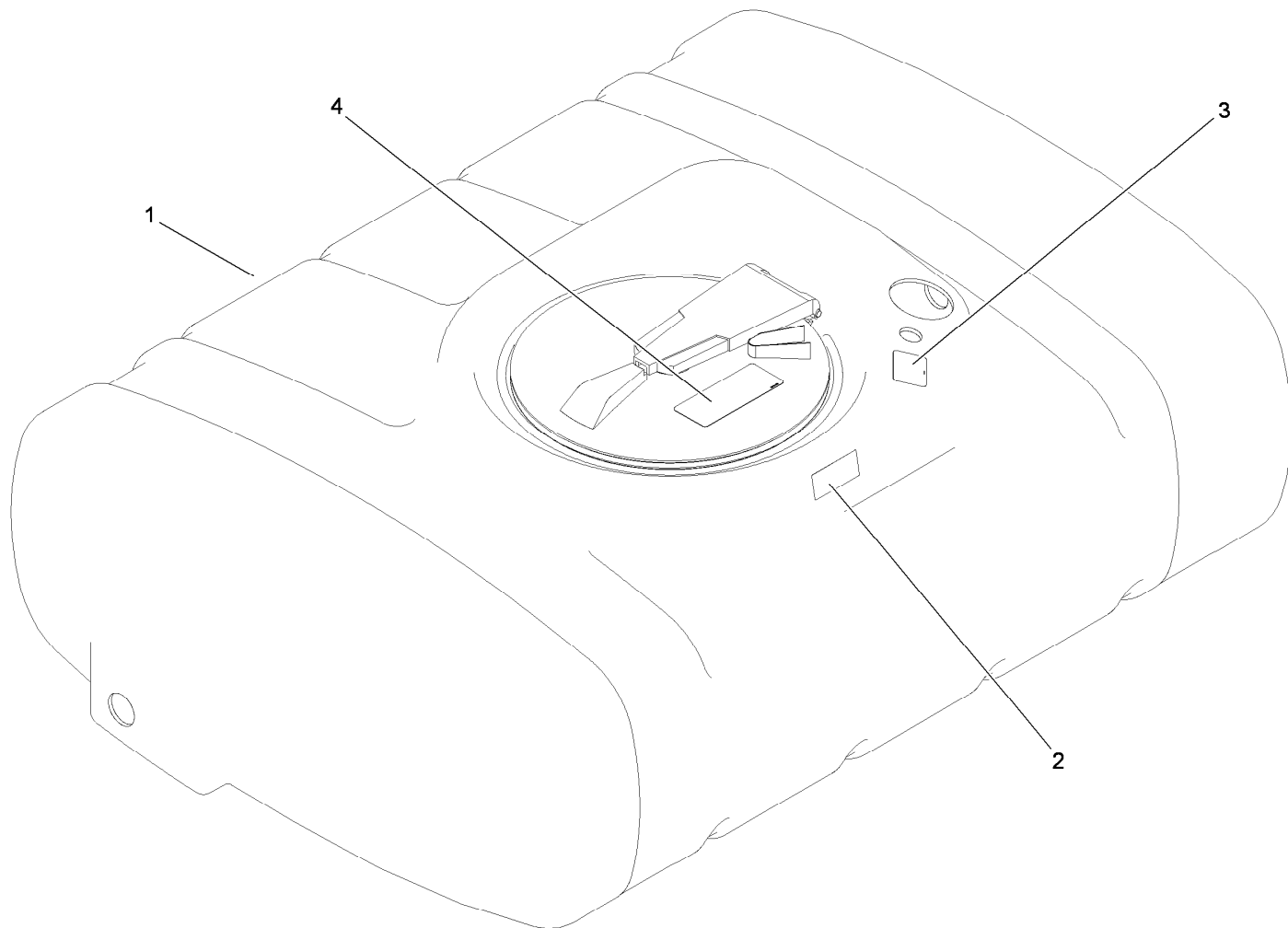
Ref.	Part Number	Qty.	Description
1		1	Tank-Water, Fresh ●
2	100-8397	1	Cover-Tank
3	100-7011	1	Spigot-90 DEG
4	100-7009	1	Latch-Draw
5	100-7010	2	Hinge
6	100-7062	4	Rivet
7	100-7063	4	Rivet
8	100-7064	4	Screw
9	100-7065	4	Washer
10	100-7066	2	Washer

● Not serviced separately



Tank and Cover Assembly

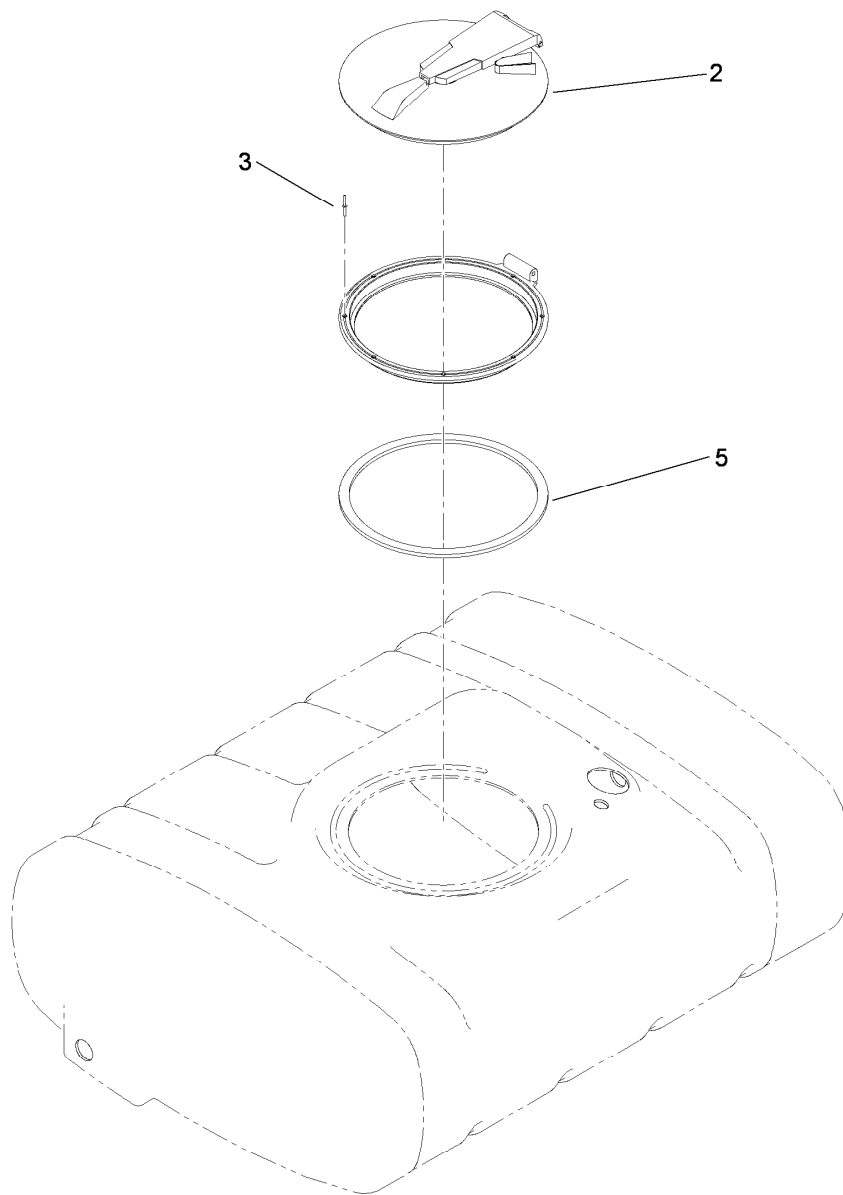
Ref.	Part Number	Qty.	Description	Ref.	Part Number	Qty.	Description
1	106-2275	1	Radiator Cover ASM	10	3230-1	3	Bolt-CARR
1:1	93-6687	2	Decal-No Step	11	42452	1	Cap-Protective
1:2	93-6689	2	Decal-No Riders	12	106-7997-03	1	Tee Mounting Bracket ASM
1:3	93-7814	2	Decal-Danger	13	110-5078	1	Gauge-Pressure
1:5	92-3627	1	Trim	14	100-8665	1	Gauge-Reducer, Pressure
1:6	42657	1	Trim-Panel, Front	15	100-8666	1	Nut-Reducer
2	3234-42	4	Screw-HHF	16	100-8667	1	Coupler-Reducer
3	32104-95	3	Screw-HWH	17	107-2834	1	Tubing-Pressure
4	93-6427-03	1	Panel-Radiator	18	100-6778-03	1	Bracket-Siphon, Anti
5	106-1366	1	200 Gallon Tank ASM	19	41316	1	Adapter-Quick
6	106-1368	2	Band-Tank	20	100-6779	1	Coupling-Female
6:2	106-5016	1	Decal-Caution, Electric Shock	21	41140	1	Elbow
7	92-3668	4	Bolt-J	22	32128-20	3	Nut-HF
8	3217-8	4	Nut-Hex	23	3230-19	1	Screw-CARR
9	3256-5	4	Washer-Flat	24	104-9075	1	Hose-Siphon, Anti



200 Gallon Tank Assembly No. 106-1366

<i>Ref.</i>	<i>Part Number</i>	<i>Qty.</i>	<i>Description</i>
1		1	Spray Tank ASM ●
2	106-1355	1	Decal-No Tank Entry
3	106-5065	1	Decal-Drain, Tank
4	93-0688	1	Decal-Warning, Chemical

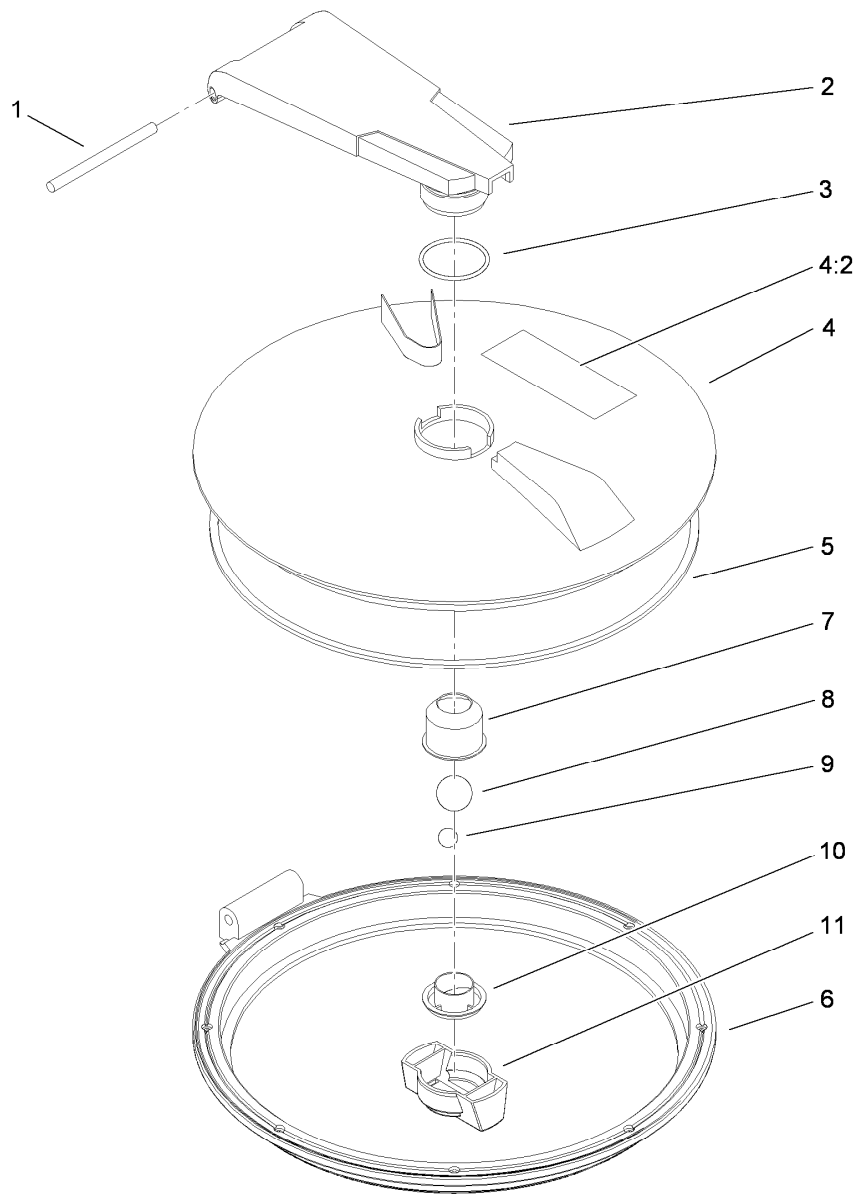
● Not serviced separately



Lid Seal Assembly

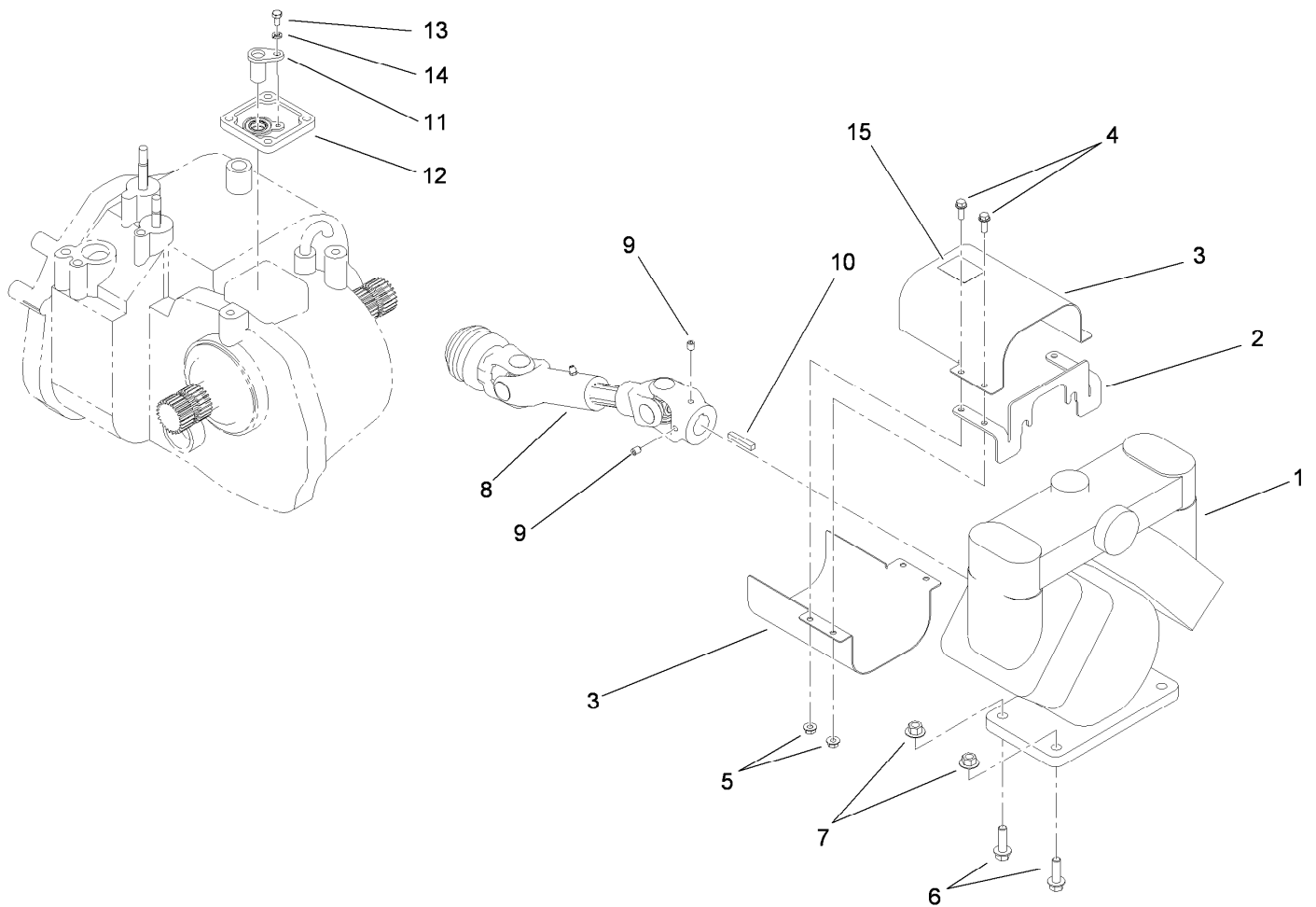
<i>Ref.</i>	<i>Part Number</i>	<i>Qty.</i>	<i>Description</i>
2		1	Screw Type Tank Lid ASM ●
3	93-0833	8	Rivet-Blind
5	106-4991	1	Seal-Lid

● Not serviced separately



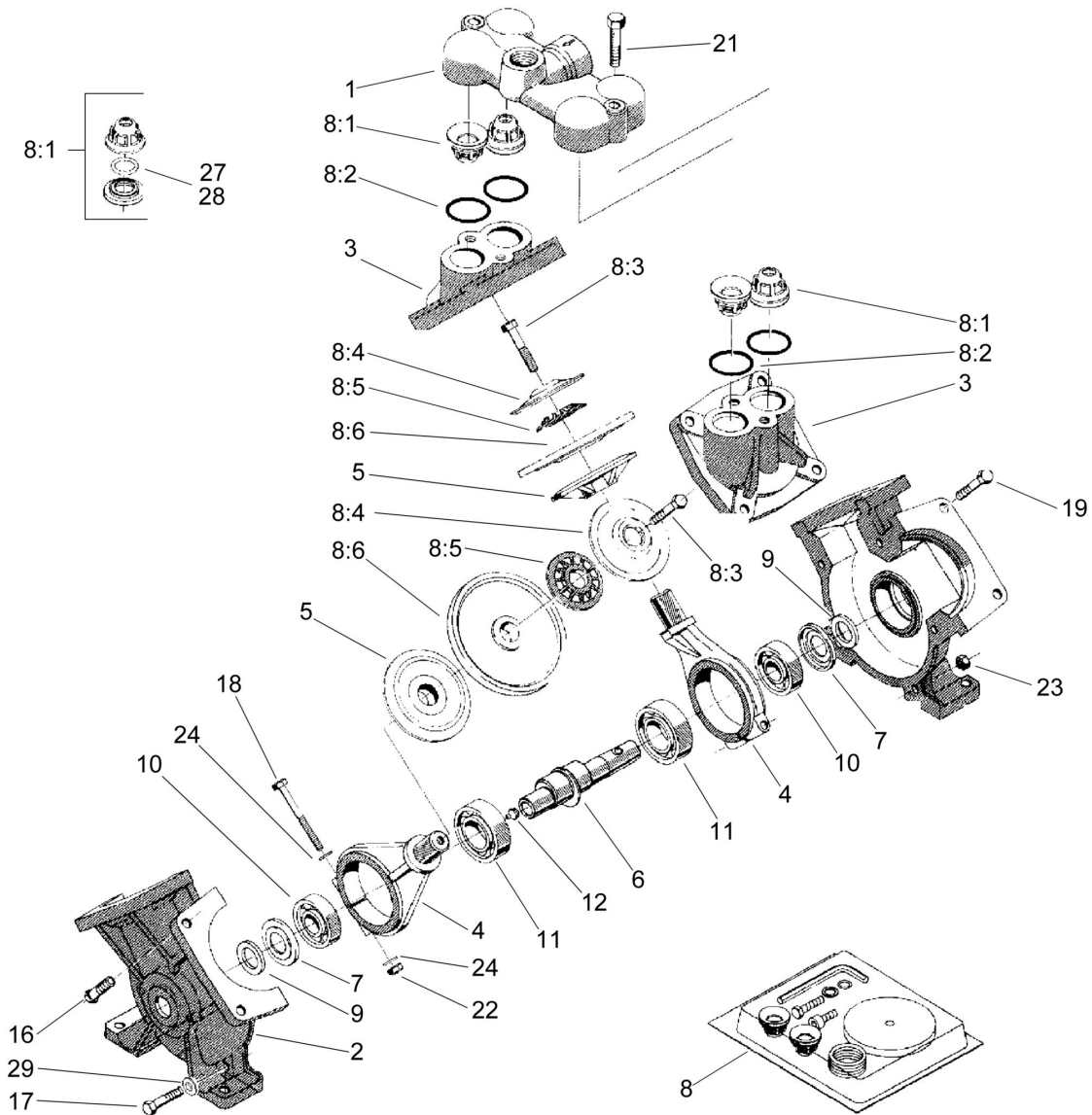
Lid Assembly

<i>Ref.</i>	<i>Part Number</i>	<i>Qty.</i>	<i>Description</i>
1	106-5000	1	Pin-Pivot
2	106-5001	1	Arm
3	106-5002	1	O-Ring
4	106-1369	1	Lid
4:2	93-0688	1	Decal-Warning, Chemical
5	106-5004	1	Seal-Lid
6	106-5005	1	Ring
7	106-5006	1	Cup-Vent
8	106-5007	1	Ball-Floating
9	106-5008	1	Ball-Weight
10	106-5009	1	Holder-Ball
11	106-5010	1	Nut-Wing



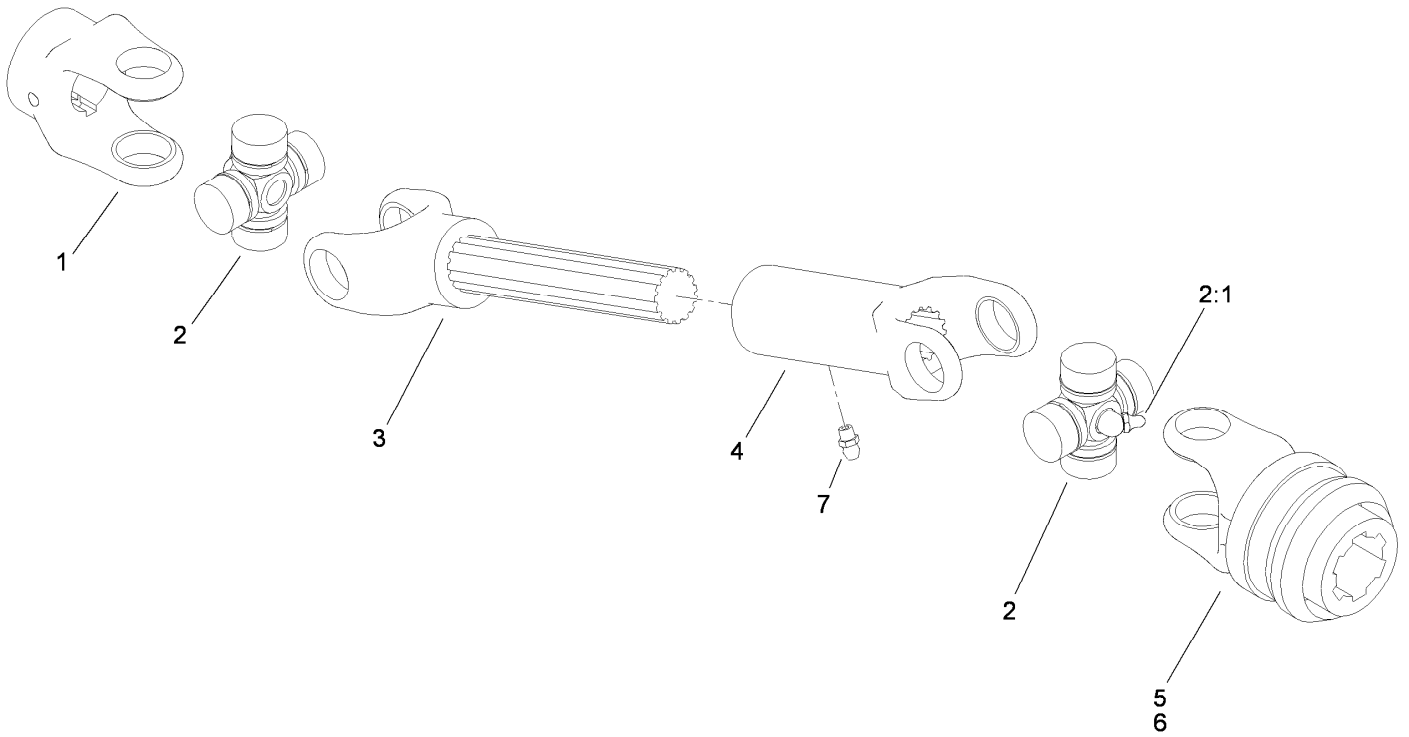
Pump and Drive Assembly

Ref.	Part Number	Qty.	Description
1	106-5121	1	Pump ASM
2	104-8970-03	1	Bracket-Shroud
3	104-8971-03	2	Shroud-Drive, Pump
4	3234-4	4	Screw-HHF
5	32128-33	4	Nut-HF
6	3234-18	4	Screw-HHF
7	32128-43	4	Nut-Flange
8	107-2810	1	Shaft-Drive, PTO
9	3246-18	2	Setscrew
10	67-7490	1	Key-Square
11	85-4350	1	Sensor-Geartooth
12	92-3736	1	Cover ASM
13	33113-012	1	Screw-HH
14	48-8020	1	Washer-Spring
15	106-1354	1	Decal



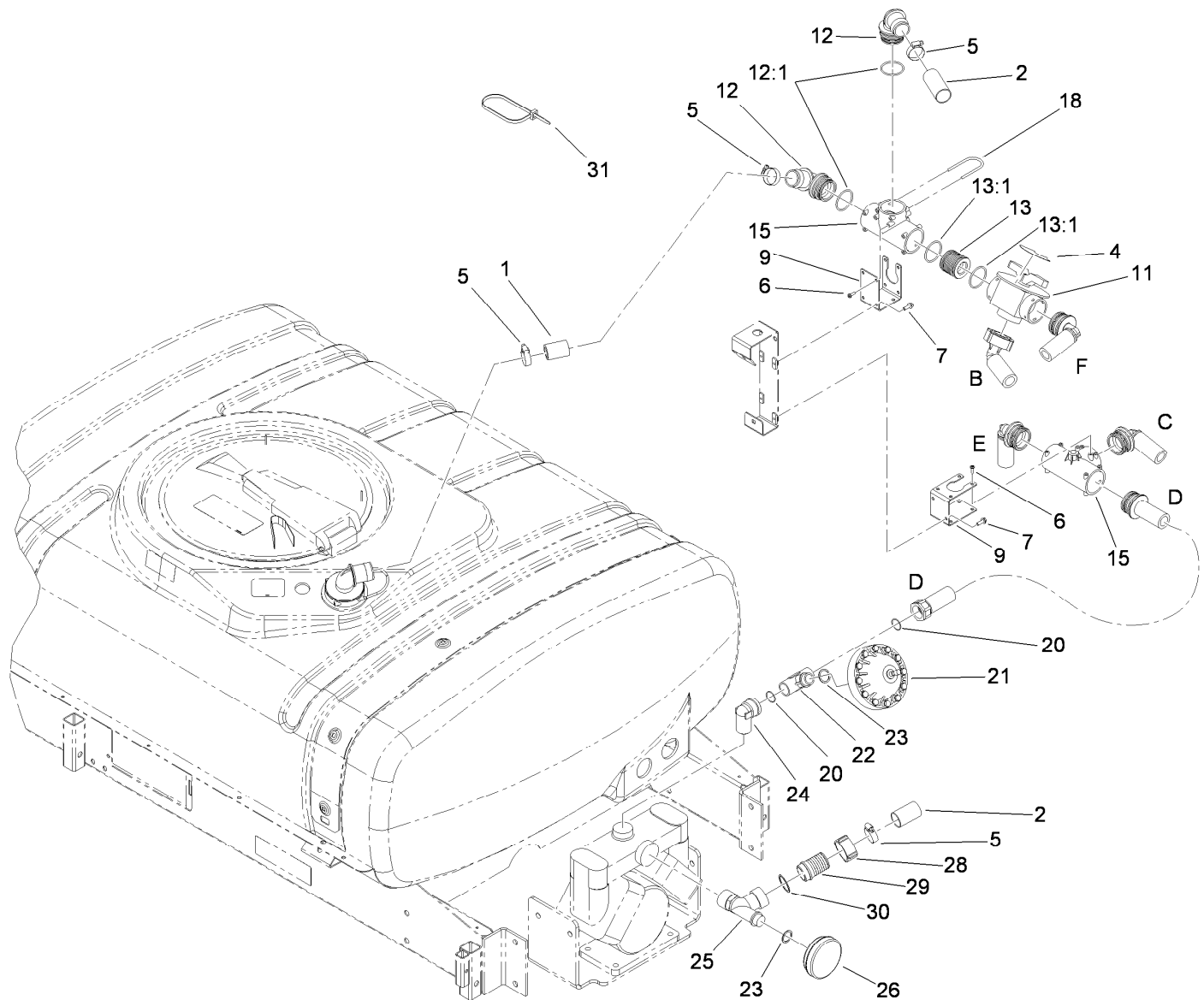
Pump Assembly No. 106-5121

Ref.	Part Number	Qty.	Description	Ref.	Part Number	Qty.	Description
1	106-5139	1	Cover-Valve	10	100-8327	2	Bearing-Ball
2	106-5140	2	Housing-Pump	11	100-8329	2	Bearing-Ball
3	106-5141	2	Cover-Diaphragm	12	99-0873	1	Fitting-Grease
4	106-5142	2	Rod-Connecting	16	106-5143	3	Bolt
5	100-8314	2	Disc-Back, Diaphragm	17	106-5144	2	Bolt
6	104-9052	1	Crankshaft-Keyed	18	106-5145	2	Bolt
7	100-8325	2	Plate-Dust	19	106-5146	8	Bolt
8	106-5150	1	Repair Kit	21	106-5148	2	Bolt
8:1	100-8307	4	Valve	22	100-8326	2	Nut-Hex
8:2	100-6652	4	Gasket	23	106-5149	5	Nut
8:3	106-5147	2	Bolt	24	100-8316	4	Washer-Lock
8:4	100-8311	2	Washer	27	100-8336	4	O-Ring
8:5	100-8312	2	Washer-Nylon	28	106-5138	4	O-Ring
8:6	100-8313	2	Diaphragm	29	106-5137	2	Washer
9	99-0868	2	Felt-Seal				



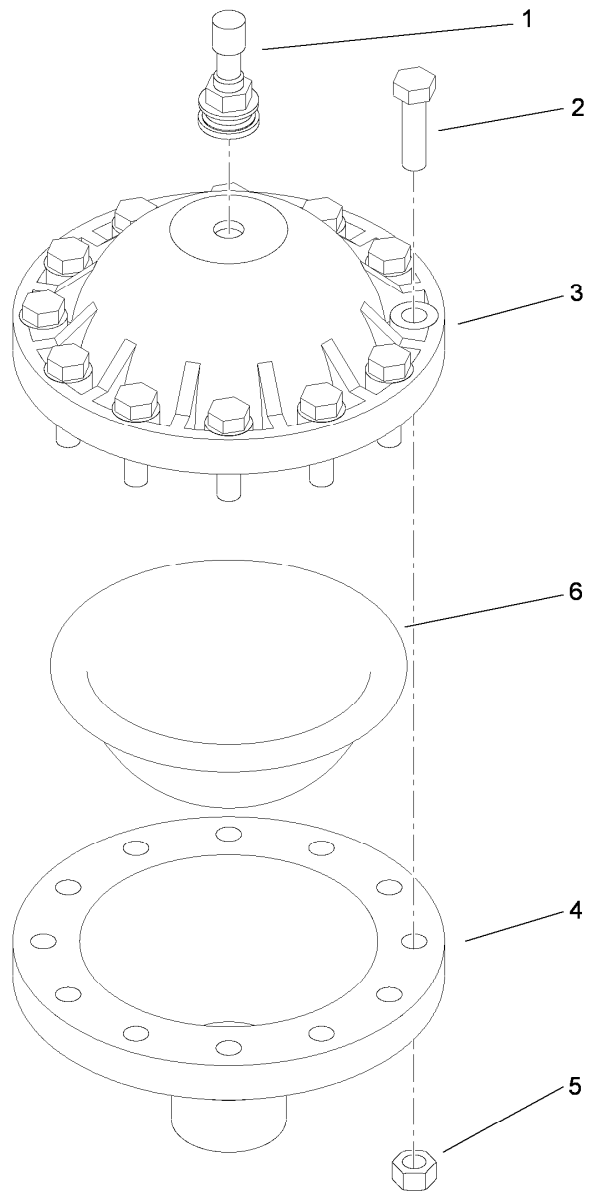
Drive Shaft Assembly No. 107-2810

<i>Ref.</i>	<i>Part Number</i>	<i>Qty.</i>	<i>Description</i>
1	107-2823	1	Yoke-Shaft
2	54-9180	2	U-Joint Kit
2:1	62-3820	1	Fitting-Grease
3	107-2824	1	Shaft-Yoke, Slip
4	94-7379	1	Tube-Yoke, Slip
5	99-4476	1	Spring-Lok Yoke ASM
6	99-4477	1	Yoke Spring Lock Repair Kit
7	302-5	1	Fitting-Grease



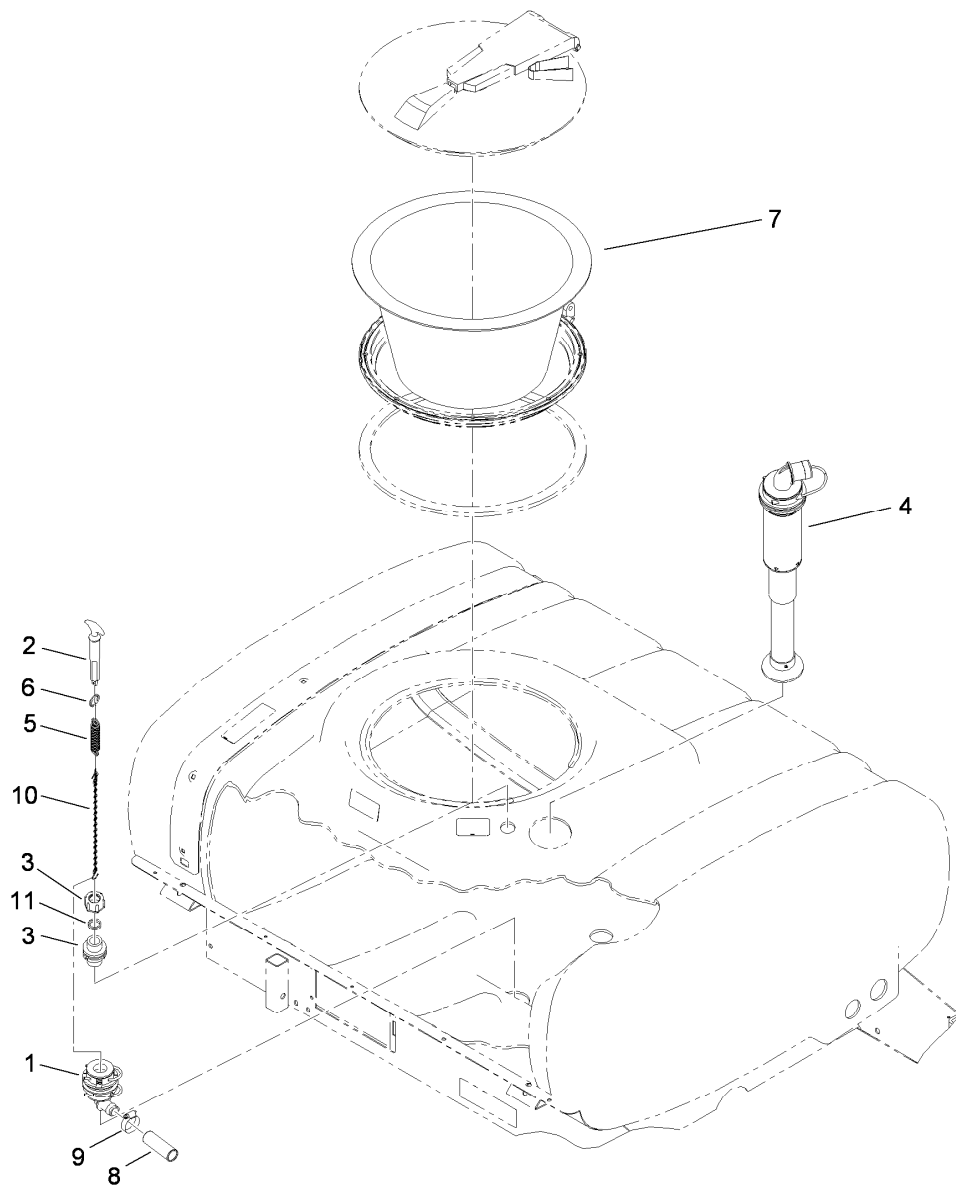
Upper Sprayer Component Assembly

Ref.	Part Number	Qty.	Description	Ref.	Part Number	Qty.	Description
1	107-2804	1	Hose-Suction	18	100-8635	8	Fork
2	107-2805	1	Hose-Suction	20	100-6655	1	Gasket
4	107-8621	1	Decal-Agitation	21	100-6662	1	Pressure Damper ASM
5	41327	4	Clamp-Hose	22	100-8699	1	Tee
6	32144-32	8	Screw	23	100-6656	2	O-Ring
7	3234-4	4	Screw-HHF	24	100-8698	1	Elbow
9	100-8478	2	Bracket-Tee	25	100-8681	1	Tee
11	100-8673	1	Agitation Valve ASM	26	100-6660	1	Suction Damper ASM
12	106-4946	2	Hosebarb-90 DEG	28	100-8678	1	Nut
12:1	100-8637	1	O-Ring	29	100-8679	1	Hosebarb
13	106-4947	1	Connector	30	100-8680	1	Seal
13:1	100-8637	2	O-Ring	31	3334-945	3	Cable Tie
15	100-6704	2	Tee				



Pressure Damper Assembly No. 100-6662

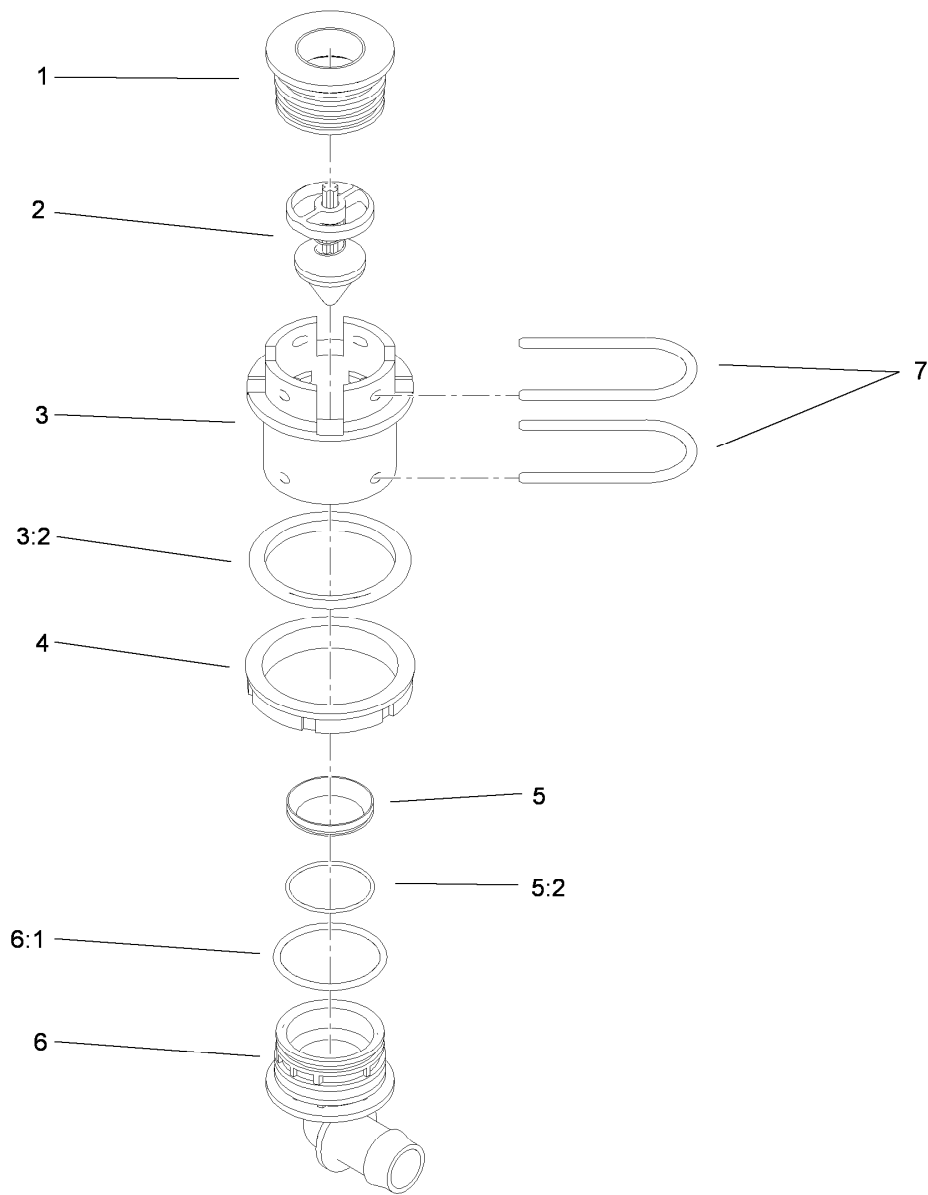
<i>Ref.</i>	<i>Part Number</i>	<i>Qty.</i>	<i>Description</i>
1	99-0895	1	Valve
2	33114-030	12	Screw-HH
3	99-0896	1	Half-Upper, Damper
4	99-0898	1	Half-Lower, Damper
5	33014-00	12	Nut-Hex
6	99-0897	1	Diaphragm



Suction and Drain Assembly

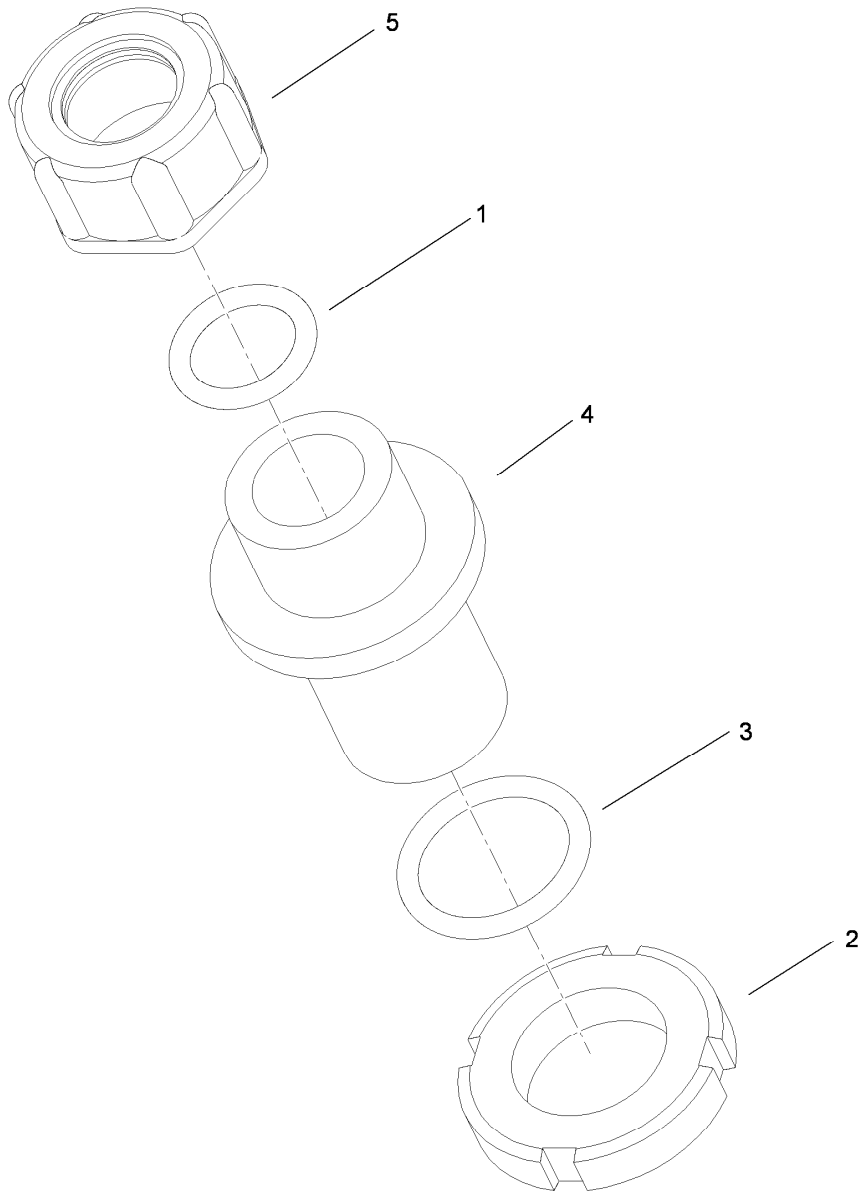
Ref.	Part Number	Qty.	Description
1		1	Drain ASM ●
2	106-1347	1	Handle-Drain
3		1	Upper Tank Drain Bulkhead ASM ●
4	107-2800	1	Top Mounted Suction ASM
5	106-1415	1	Spring-Extension
6	106-1416	1	Ring-Retaining, Spiral (EXT)
7	104-9051	1	Basket-Strainer
8	106-1351	1	Hose-Drain
9	2412-34	1	Clamp-Hose
10	106-1356	1	Chain ASM
11	106-1414	1	Seal

● Not serviced separately



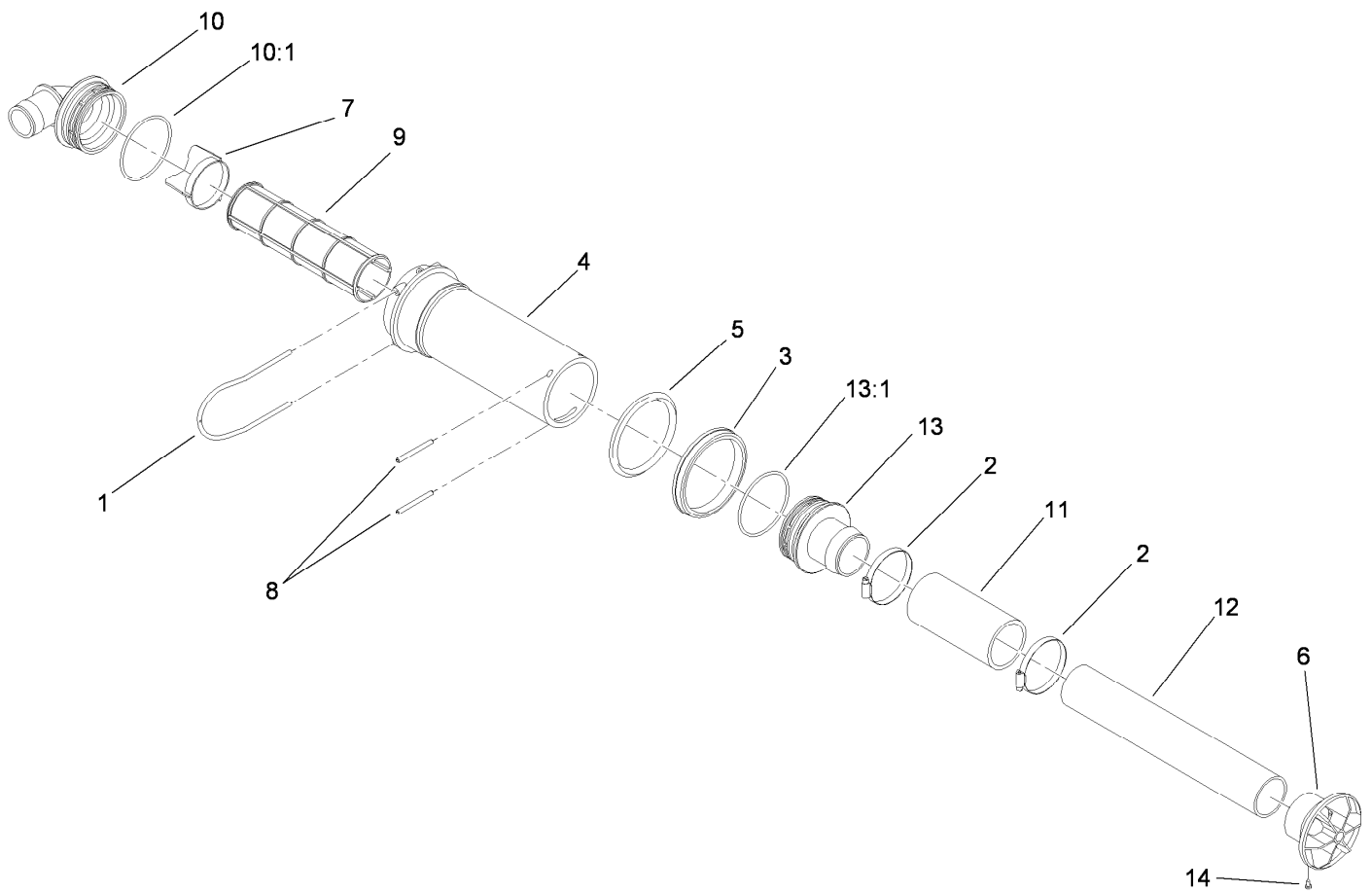
Tank Drain Assembly

<i>Ref.</i>	<i>Part Number</i>	<i>Qty.</i>	<i>Description</i>
1	107-2868	1	Adapter
2	108-7016	1	Drain Valve ASM
3	107-2862	1	Drain Bulkhead ASM
3:2	107-2864	1	Gasket-Bulkhead
4	100-7051	1	Nut-Bulkhead
5	107-2867	1	Seat Drain ASM
5:2	107-2866	1	O-Ring
6	106-4933	1	Hosebarb ASM
6:1	100-8637	1	O-Ring
7	100-8635	2	Fork



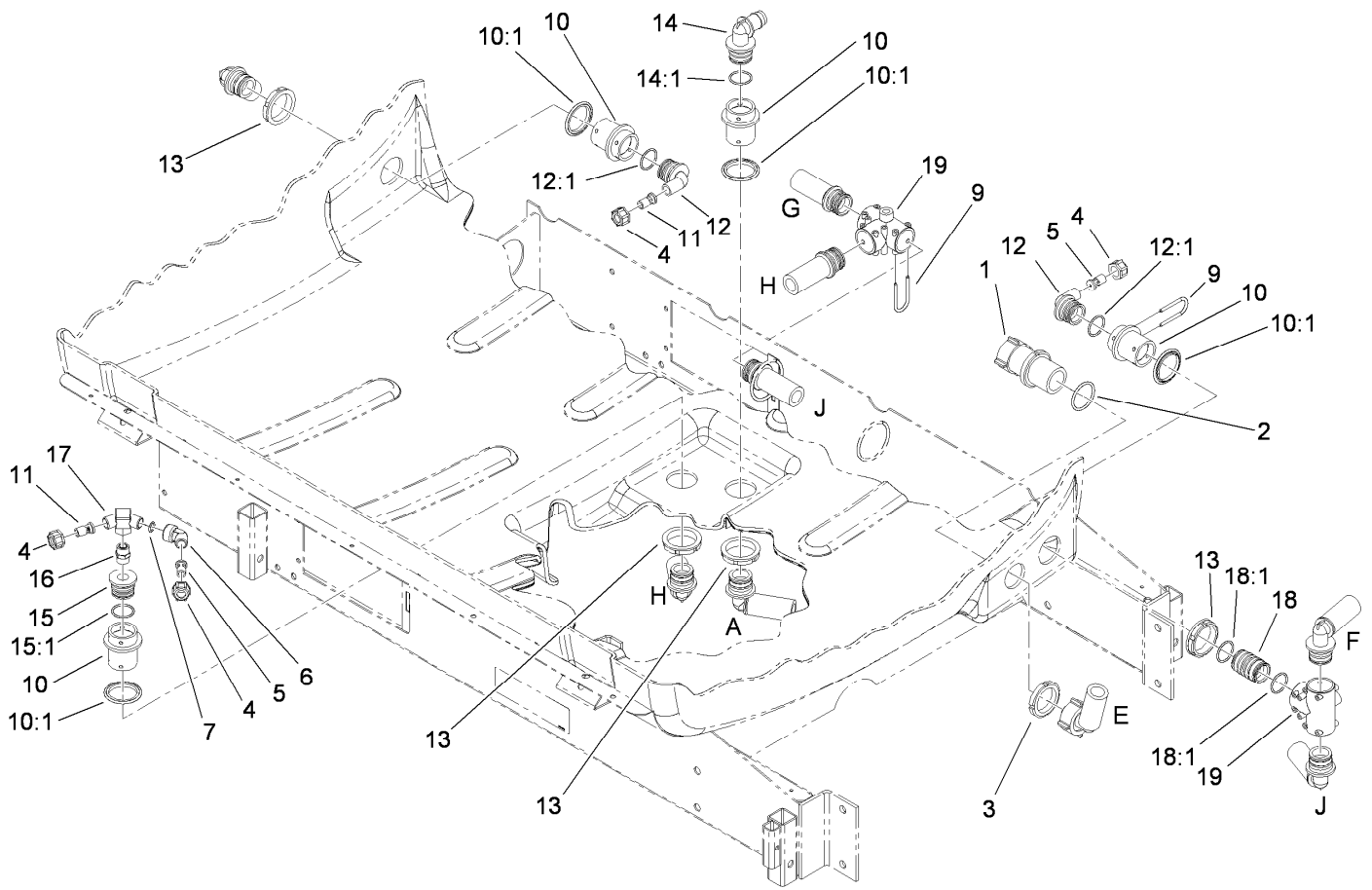
Upper Tank Drain Bulkhead Assembly

<i>Ref.</i>	<i>Part Number</i>	<i>Qty.</i>	<i>Description</i>
1	100-6643	1	O-Ring
2	99-0758	1	Nut
3	100-6658	1	Gasket
4	106-1240	1	Bulkhead
5	106-1241	1	Nut-Special



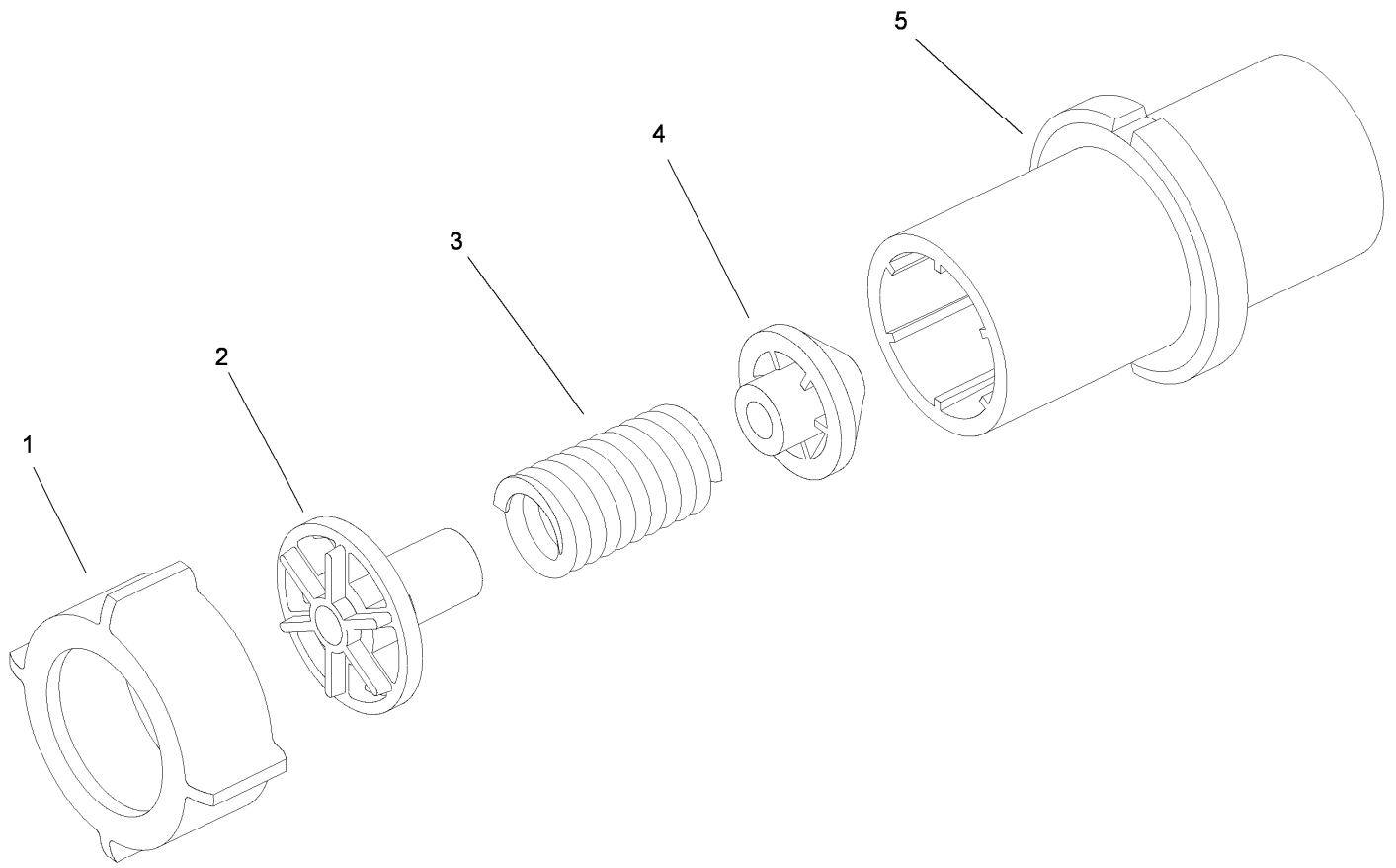
Top Mounted Suction Assembly No. 107-2800

<i>Ref.</i>	<i>Part Number</i>	<i>Qty.</i>	<i>Description</i>	<i>Ref.</i>	<i>Part Number</i>	<i>Qty.</i>	<i>Description</i>
1	100-8636	1	Fork-Special	9	100-8642	1	Screen-Suction
2	26392	2	Clamp-Hose	10	106-4952	1	Hosebarb-90 DEG
3	100-8647	1	Nut-Bulkhead	10:1	100-6989	1	O-Ring
4	100-8643	1	Housing-Filter	11	100-8649	1	Hose-Suction
5	100-8646	1	Gasket-Bulkhead	12	107-2801	1	Tube-Suction
6	100-6714	1	Foot-Tube, Suction	13	106-4942	1	Hosebarb-Straight
7	100-8641	1	Vane-Screen	13:1	100-6989	1	O-Ring
8	100-8644	2	Pin-Expansion	14	108-3270	1	Screw-TAP



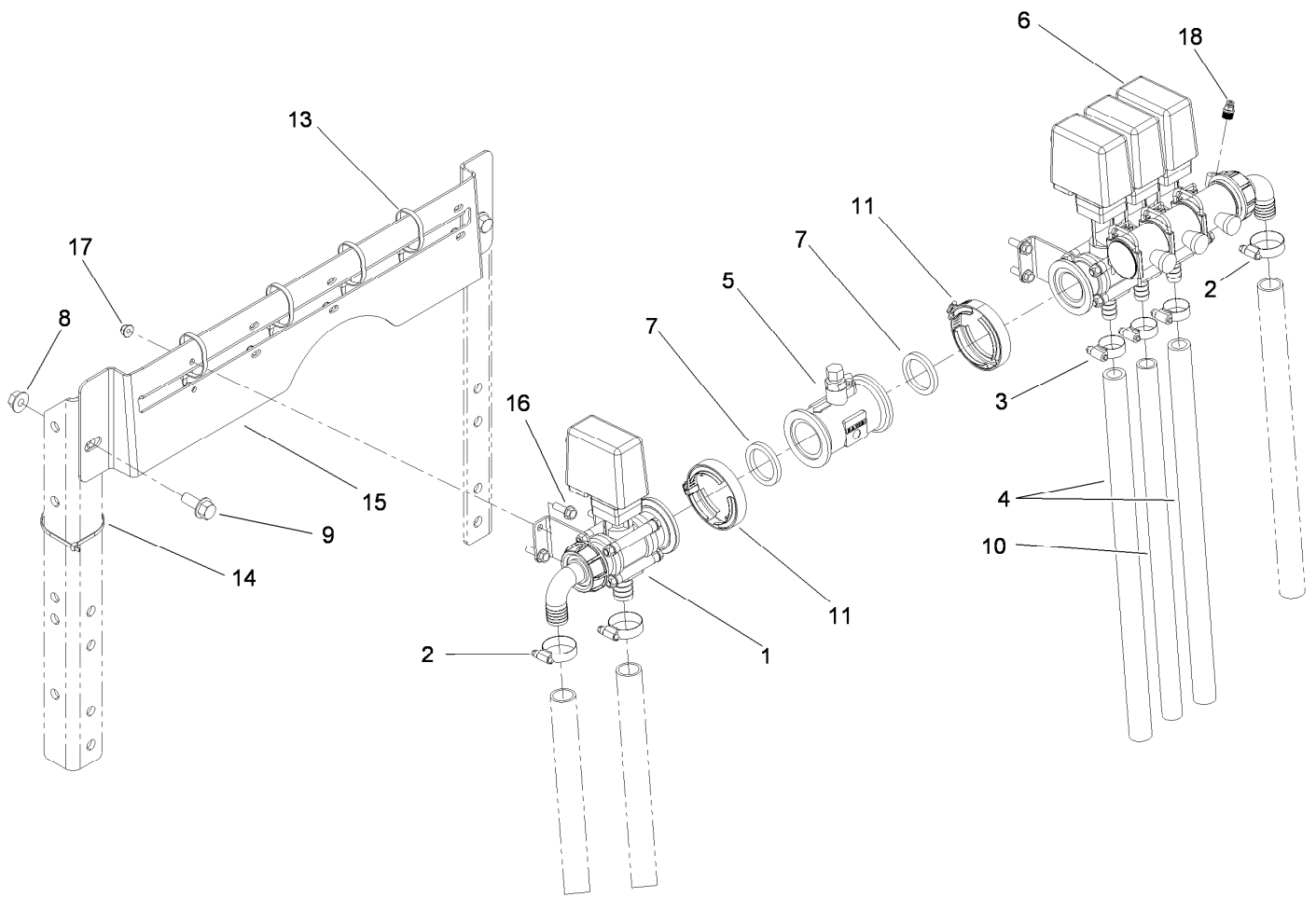
Lower Sprayer Component Assembly

<i>Ref.</i>	<i>Part Number</i>	<i>Qty.</i>	<i>Description</i>
1	100-6820	1	Safety Valve ASM (225 Psi)
2	100-6652	1	Gasket
3	99-0761	1	Ringnut
4	99-0766	4	Nut
5	100-6705	2	Nozzle-Agitation
6	99-0768	1	Elbow-60 DEG
7	100-6653	1	O-Ring
9	100-6708	14	Fork
10	106-4896	4	Fitting-Bulkhead
10:1	100-6710	1	Gasket-Bulkhead
11	100-6706	2	Nozzle-Agitation
12	106-4944	2	Fitting-90 DEG
12:1	100-6712	1	O-Ring
13	100-6713	4	Nut-Bulkhead
14	106-4945	1	Elbow
14:1	100-6712	1	O-Ring
15	106-4943	1	Adapter ASM
15:1	100-6712	1	O-Ring
16	100-6722	1	Nipple
17	100-6723	1	Tee
18	107-2802	1	Connector
18:1	100-6712	2	O-Ring
19	104-9041	2	Tee



Safety Valve Assembly No. 100-6820

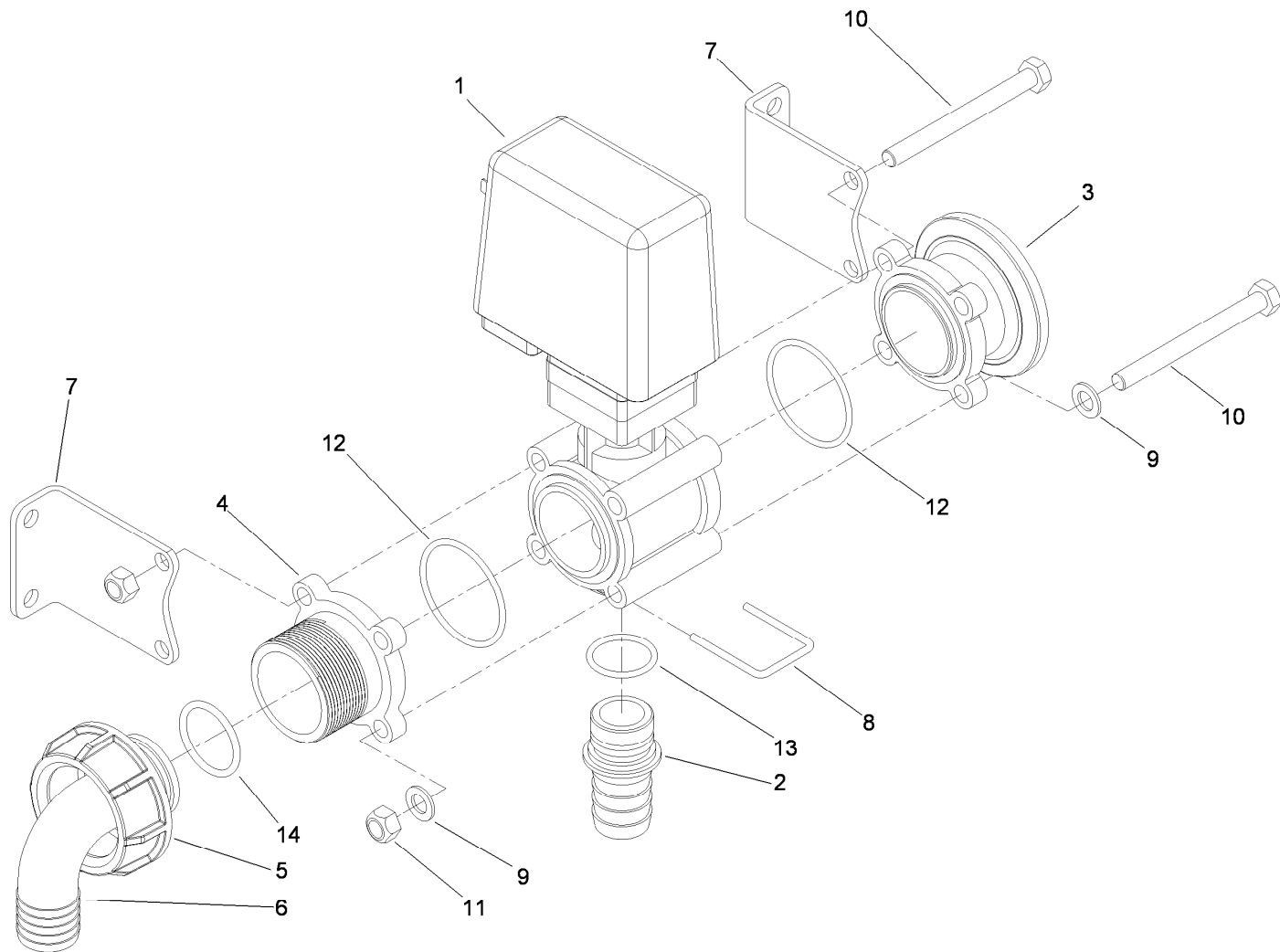
<i>Ref.</i>	<i>Part Number</i>	<i>Qty.</i>	<i>Description</i>
1	100-8678	1	Nut
2	100-6724	1	Valve-Relief, Seat
3	100-6725	1	Spring-Relief, Valve
4	100-6726	1	Cone-Relief, Valve
5	100-6727	1	Housing-Relief, Valve



Control Valve Assembly

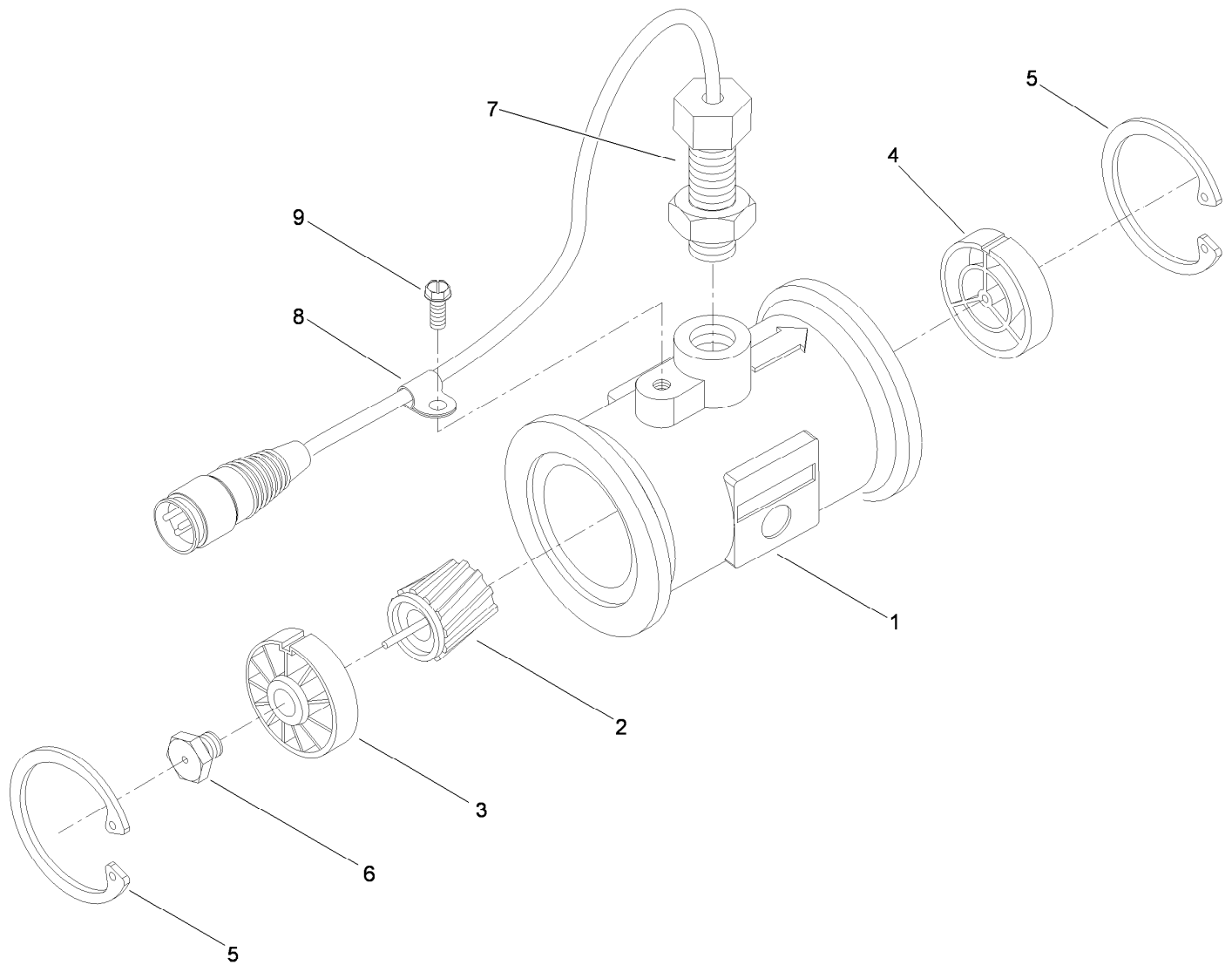
Ref.	Part Number	Qty.	Description
1	119-0466	1	Regulating Valve ASM
2	2412-3	3	Clamp-Hose
3	2412-129	3	Clamp-Hose
4	108-3720	2	Hose-Boom, LH
5	106-1038	1	Flow Meter ASM
6	119-0458	1	Boom Valve Manifold ASM
7	104-9090	2	Gasket
8	32128-49	2	Nut-HHF
9	3234-32	2	Screw-HHF

Ref.	Part Number	Qty.	Description
10	95-2229	1	Hose
11	104-9089	2	Clamp-Screw, Worm
13	3290-378	4	Cable Tie
14	3290-379	1	Tie-Cable
15	119-0549-03	1	Mount-Valve
16	3234-17	8	Screw-HHF
17	104-8300	8	Nut-Flange, NI
18	100-8674	1	Coupler-Tube



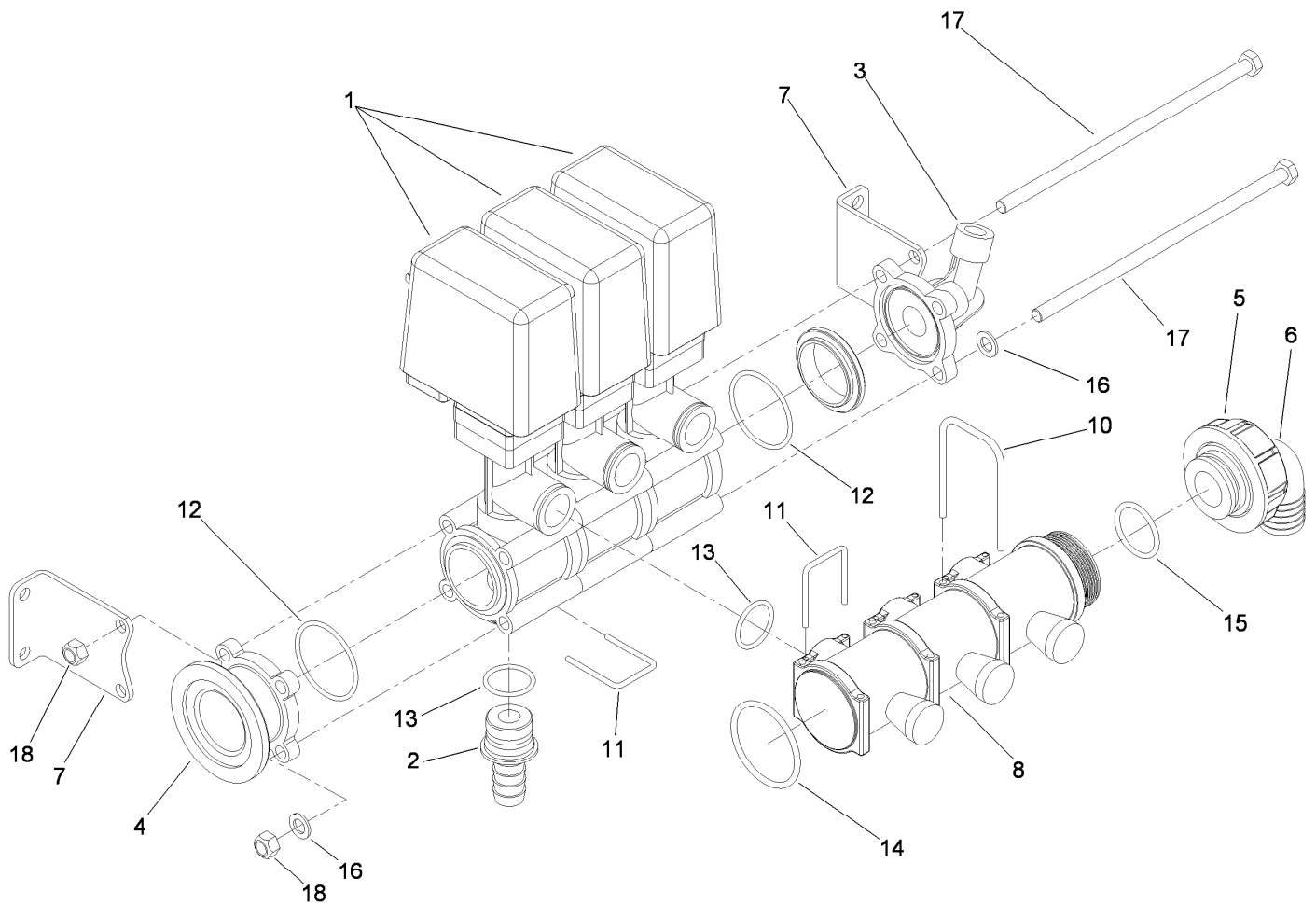
Regulating Valve Assembly No. 119-0466

<i>Ref.</i>	<i>Part Number</i>	<i>Qty.</i>	<i>Description</i>
1	119-0465	1	Valve-Proportional
2	117-7992	1	Hosebarb
3	117-7966	1	Flange
4	119-0522	1	Adapter
5	117-7879	1	Nut-Fly
6	119-0459	1	Elbow-90 DEG, Flynut
7	117-7975	1	Bracke Mounting Kit
8	119-4862	1	Fork
9	119-4871	4	Washer
10	119-4866	4	Screw-HH
11	33024-00	4	Nut-Lock
12	119-4870	2	O-Ring
13	119-4868	1	O-Ring
14	117-7922	1	O-Ring



Flow Meter Assembly No. 106-1038

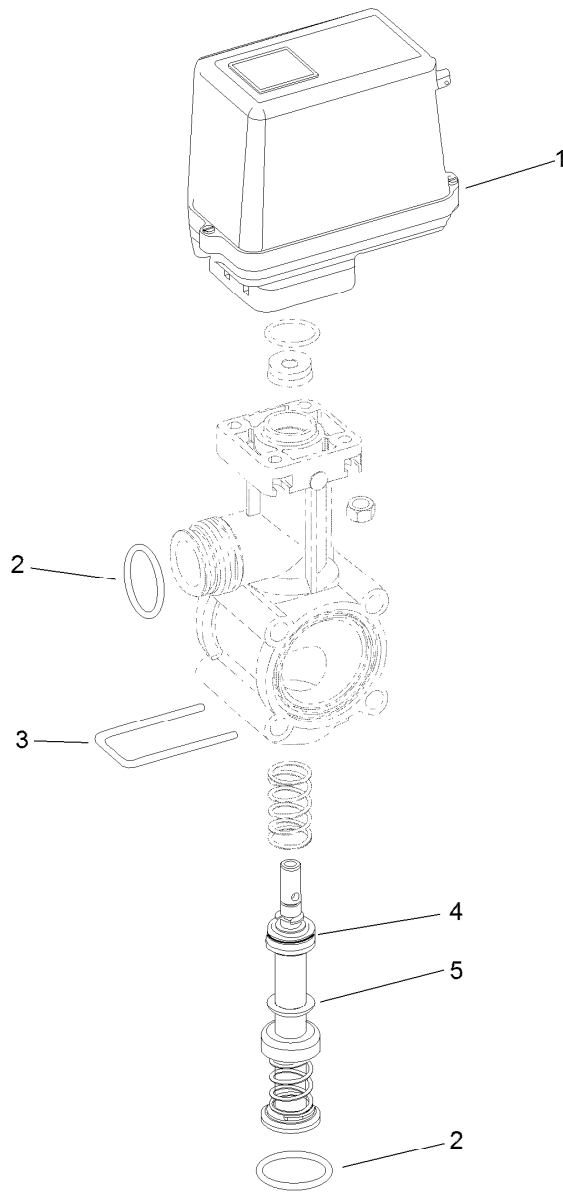
<i>Ref.</i>	<i>Part Number</i>	<i>Qty.</i>	<i>Description</i>
1	106-1042	1	Body-Meter, Flow
2	104-9059	1	Rotor / Magnet ASM
3	104-9060	1	Upstream Hub And Bearing ASM
4	104-9061	1	Downstream Hub ASM
5	104-9062	2	Ring-Retaining, Internal
6	42480	1	Stud-Turbine (W / Bearing)
7	104-9065	1	External Sensor ASM
8	104-9063	1	Clamp-Cable
9	104-9064	1	Screw-HWHTF



Boom Valve Manifold Assembly No. 119-0458

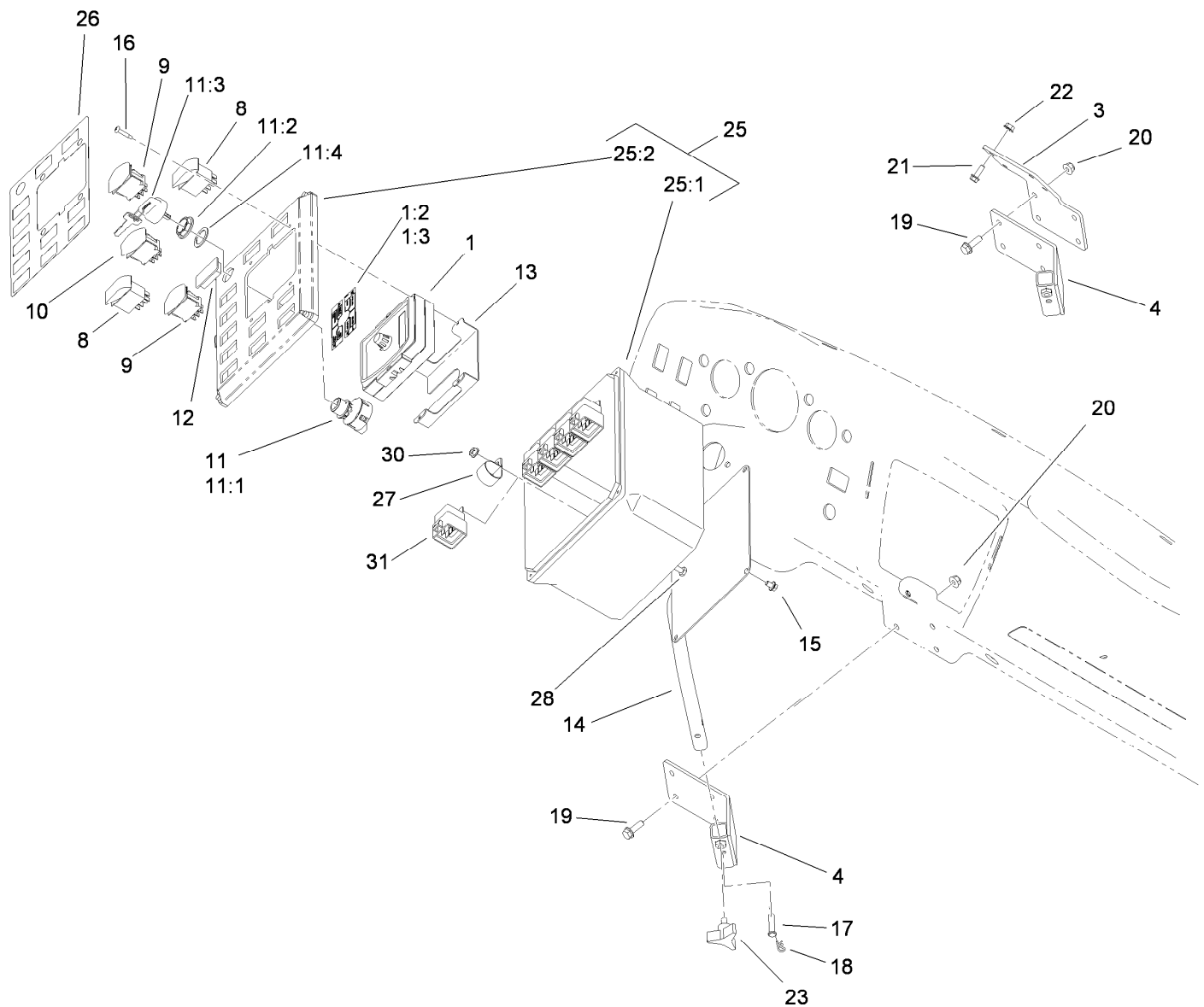
<i>Ref.</i>	<i>Part Number</i>	<i>Qty.</i>	<i>Description</i>
1	119-0456	3	Valve (W/Bypass)
2	119-0464	3	Hosebarb
3	119-0462	1	Port-Pressure Gauge
4	117-7967	1	Flange-Female
5	117-7879	1	Nut-Fly
6	119-0459	1	Elbow-90 DEG, Flynut
7	119-0449	1	Bracket Mounting Kit
8	119-0457	1	Valve-Balancing
10	119-4863	3	Fork

<i>Ref.</i>	<i>Part Number</i>	<i>Qty.</i>	<i>Description</i>
11	119-4862	6	Fork
12	119-4870	4	O-Ring
13	119-4868	6	O-Ring
14	119-4869	3	O-Ring
15	117-7922	1	O-Ring
16	119-4871	4	Washer
17	119-4867	4	Screw-HH
18	33024-00	4	Nut-Lock



Bypass Valve Assembly No. 119-0456

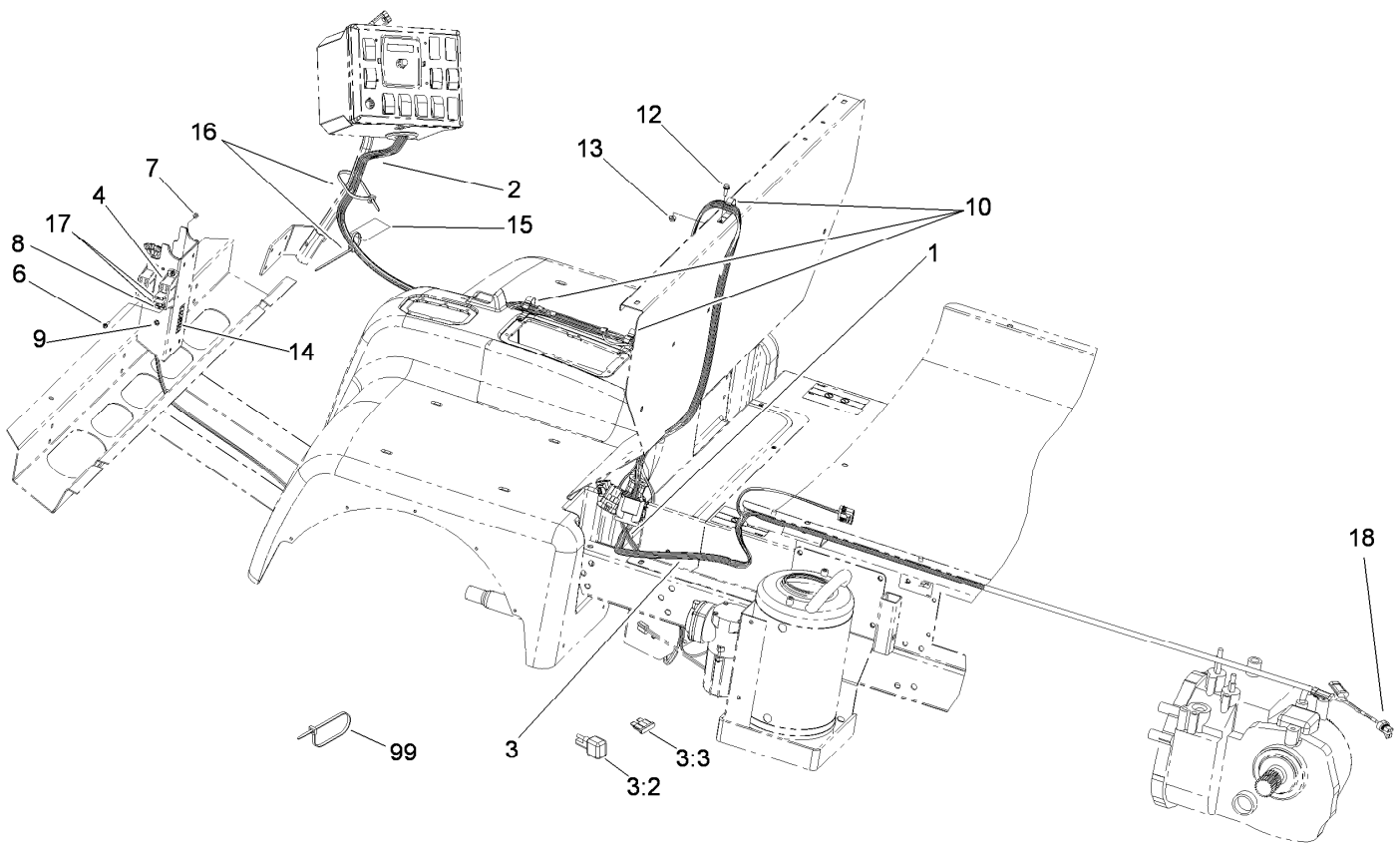
<i>Ref.</i>	<i>Part Number</i>	<i>Qty.</i>	<i>Description</i>
1	119-9397	1	Motor Valve Cover ASM
2	119-4868	2	O-Ring
3	119-4862	1	Fork
4	120-7645	1	Seal-Piston, Valve
5	120-7646	1	Piston Valve ASM



Control Box Assembly

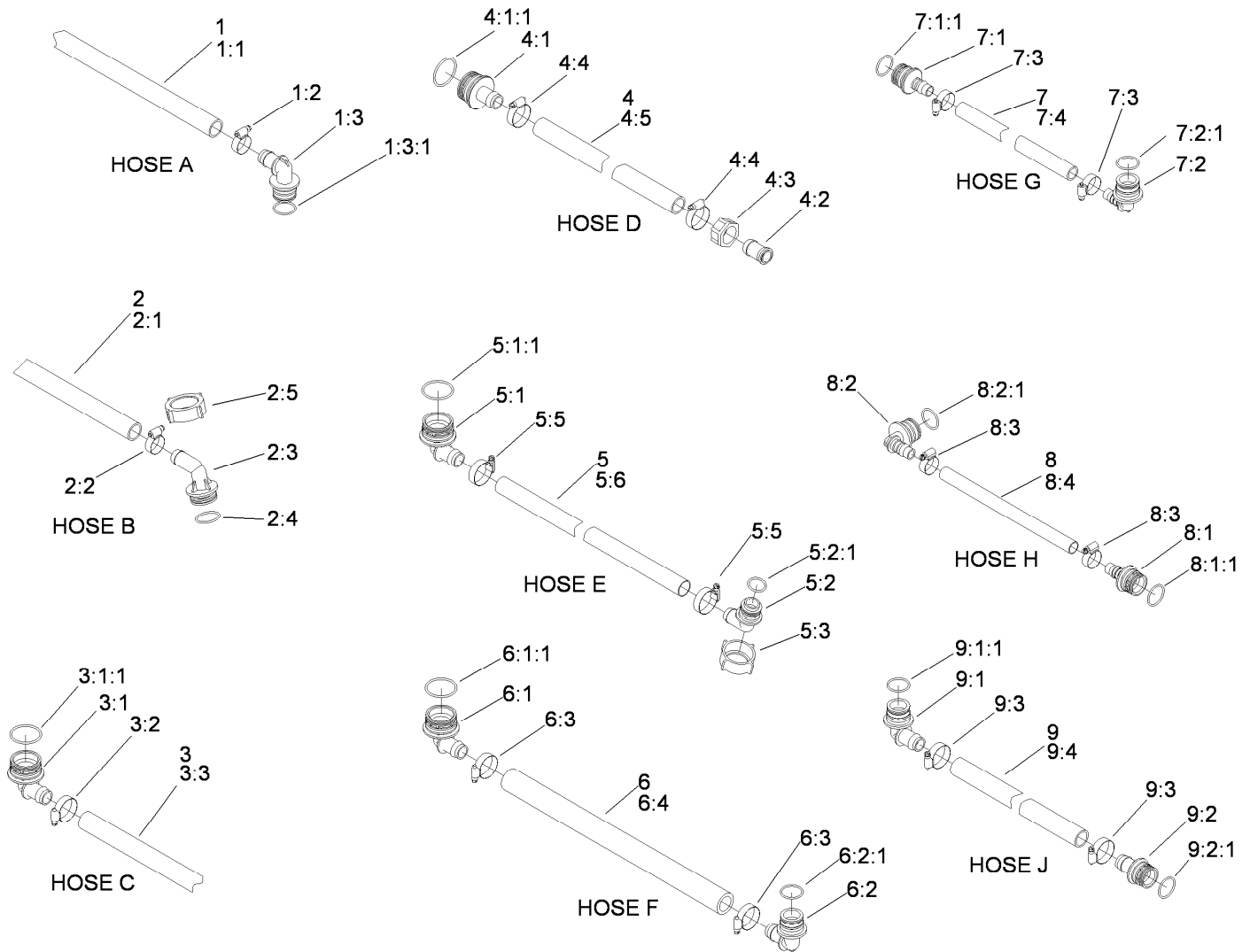
Ref.	Part Number	Qty.	Description	Ref.	Part Number	Qty.	Description
1	108-3312	1	Monitor-Spray	16	104-1451	4	Screw-TAP, PPH
1:2	108-3307	1	Decal-Monitor	17	283-6	1	Pin-Clevis
1:3	108-3309	1	Decal-Monitor, Ce	18	3290-307	1	Pin-Hair
3	107-2811-03	1	Bracket-Adapter, Control	19	3234-17	4	Screw-HHF
4	106-7992-03	1	Receiver ASM	20	104-8300	4	Nut-Flange, NI
8	100-8490	4	Switch-Rocker	21	3234-4	4	Screw-HHF
9	100-1535	3	Switch	22	32128-33	4	Nut-HF
10	100-8589	1	Switch-Rocker	23	92-9674	1	Knob
11	110-2580	1	Switch-Key, Supervisor	25		1	Control Enclosure ASM ●
11:1		1	Switch-Key ●	25:1	106-1427	1	Base-Enclosure, Control
11:2	108-8660	1	Nut-Mounting	25:2	110-5223	1	Cover-Enclosure, Control
11:3	110-5221	1	Set-Key, Supervisor	26	107-2825	1	Decal-Switchplate
11:4	108-8659	1	Washer-Backup	27	2412-126	1	R-Clamp
12	99-7420	3	Plug-Hole	28	321-5	1	Screw-HH
13	107-2831	1	Bracket-Monitor	30	32128-33	1	Nut-HF
14	106-7995-03	1	Control Box Mount ASM	31	99-7430	5	Relay
15	3234-26	4	Screw-HHF				

● Not serviced separately



Electrical Assembly

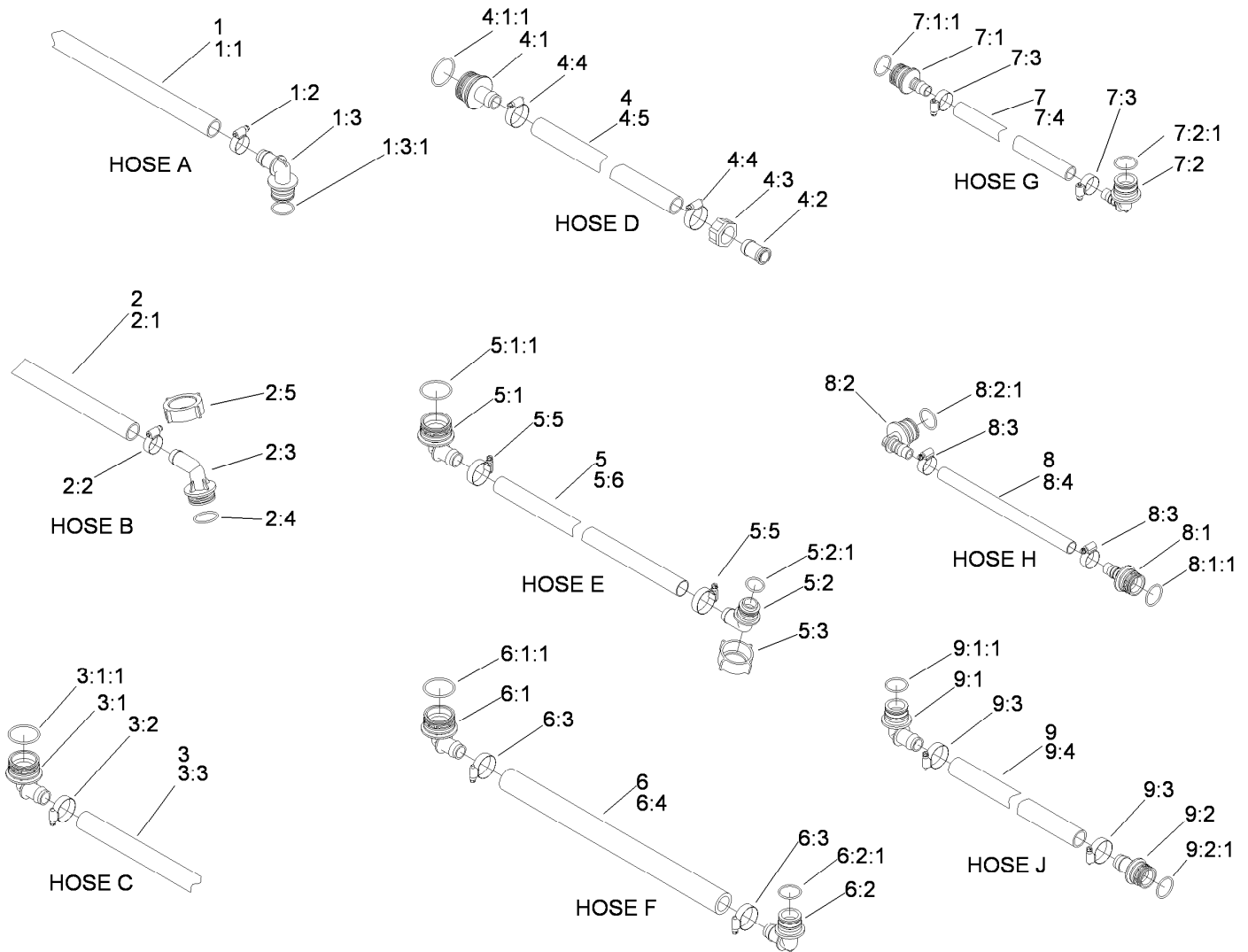
<i>Ref.</i>	<i>Part Number</i>	<i>Qty.</i>	<i>Description</i>	<i>Ref.</i>	<i>Part Number</i>	<i>Qty.</i>	<i>Description</i>
1	106-1417	1	Harness-Wire, Sprayer Power	9	3255-7	1	Washer-Lock/EXT
2	119-5756	1	Harness-Wire, Spray Controller	10	106-1429	3	Clamp-J
3	119-1787	1	Harness-Wire, Sprayer Main	12	3234-4	1	Screw-HHF
3:2	108-9493	2	Diode-Tvs	13	32128-33	1	Nut-HF
3:3	110928	4	Fuse-Blade, 5 Amp	14	106-1425	1	Decal-Fuse Block
4	92-2641	1	Block-Fuse	15	104-8900	1	Tag-Monitor
6	32105-13	2	Screw-HWH	16	3290-378	2	Cable Tie
7	3296-2	2	Nut-Lock, NI	17	108-3736	2	Breaker-Circuit, 30A
8	218-578	1	Fuse-Blade, 10 Amp	18	119-1762	1	Harness-Wire, Speedometer Adapter
				99	3290-378	8	Cable Tie



Hose Assembly

Ref.	Part Number	Qty.	Description	Ref.	Part Number	Qty.	Description
1	119-0514	1	Bypass Hose ASM	4:2	99-0781	1	Hosebarb
1:1	119-0512	1	Hose-Bypass	4:3	99-0769	1	Nut
1:2	2412-129	1	Clamp-Hose	4:4	2412-3	2	Clamp-Hose
1:3	106-4945	1	Elbow	4:5	107-2807	1	Hose
1:3:1	100-6712	1	O-Ring	5		1	Relief Valve Hose ASM ●
2	119-0515	1	Agitation-Bypass Hose ASM	5:1	106-4933	1	Hosebarb ASM
2:1	119-0511	1	Hose-Agitation, Bypass	5:1:1	100-8637	1	O-Ring
2:2	2412-129	1	Clamp-Hose	5:2	106-4949	1	Hosebarb
2:3	100-6898	1	Hosebarb	5:2:1	100-6646	1	O-Ring
2:4	100-8671	1	O-Ring	5:3	100-8678	1	Nut
2:5	100-8669	1	Nut	5:5	2412-3	2	Clamp-Hose
3		1	Tee Controls Hose ASM ●	5:6	104-8710	1	Hose
3:1	106-4933	1	Hosebarb ASM	6		1	Agitation Valve Hose ASM ●
3:1:1	100-8637	1	O-Ring	6:1	106-4933	1	Hosebarb ASM
3:2	2412-3	1	Clamp-Hose	6:1:1	100-8637	1	O-Ring
3:3	107-2832	1	Hose	6:2	106-4945	1	Elbow
4		1	Manifold Tee Hose ASM ●	6:2:1	100-6712	1	O-Ring
4:1	106-4932	1	Hosebarb-Straight	6:3	2412-3	2	Clamp-Hose
4:1:1	100-8637	1	O-Ring	6:4	106-4975	1	Hose

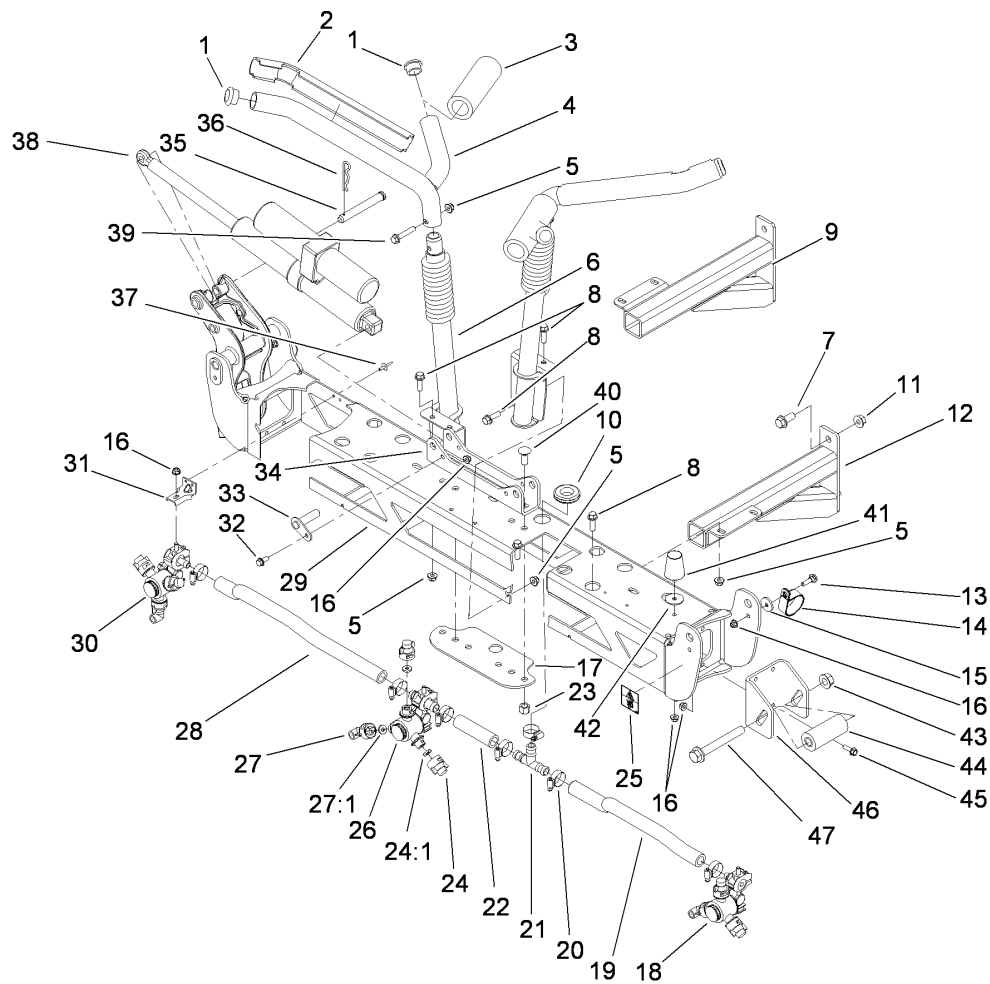
● Not serviced separately



Hose Assembly (continued)

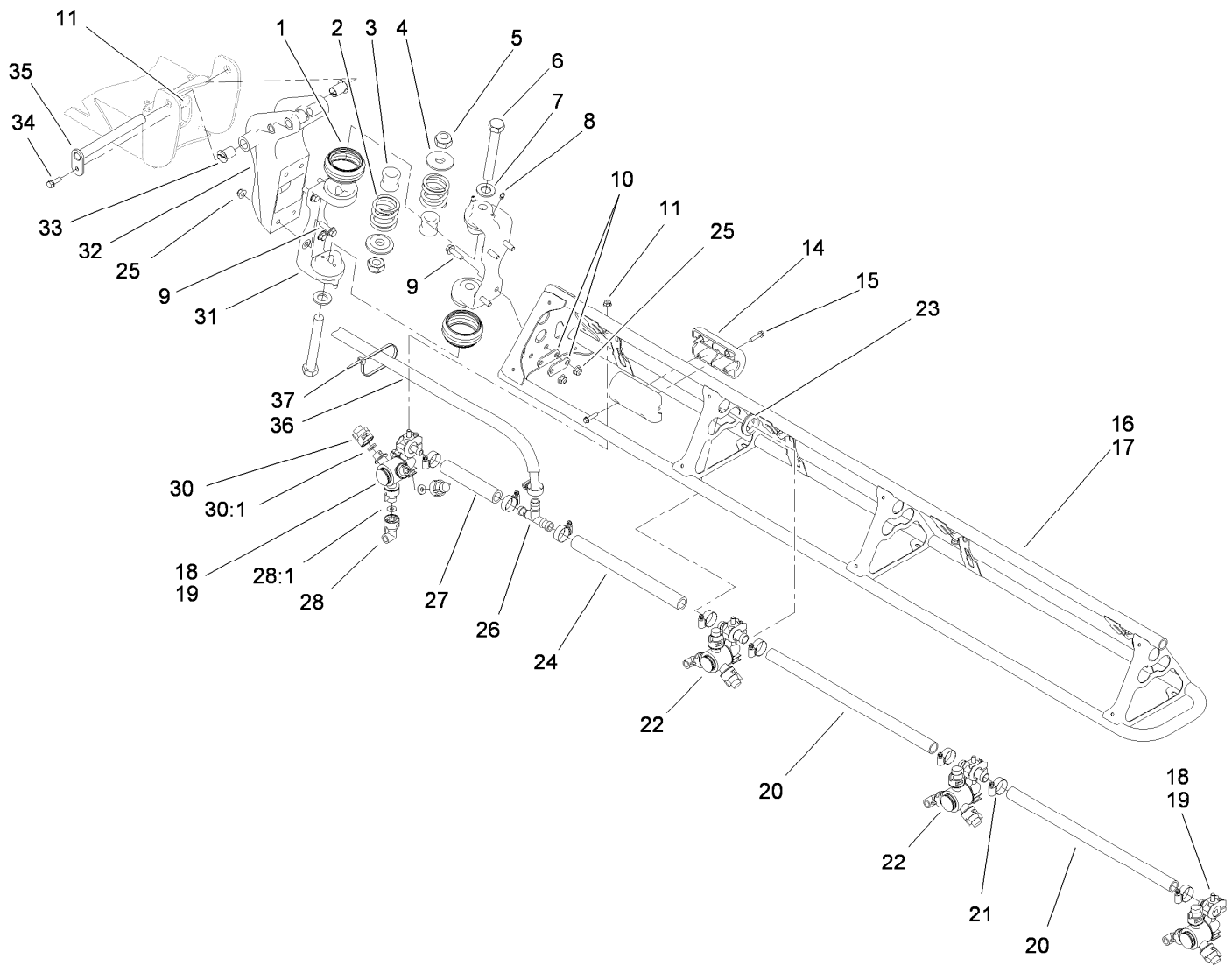
Ref.	Part Number	Qty.	Description	Ref.	Part Number	Qty.	Description
7		1	Front Agitation Hose ASM ●	8:2	106-4940	1	Hosebarb-90 DEG
7:1	106-4939	1	Hosebarb-Straight	8:2:1	100-6712	1	O-Ring
7:1:1	100-6712	1	O-Ring	8:3	2412-129	2	Clamp-Hose
7:2	106-4940	1	Hosebarb-90 DEG	8:4	106-1360	1	Hose
7:2:1	100-6712	1	O-Ring	9		1	Agitation Tee Hose ASM ●
7:3	2412-129	2	Clamp-Hose	9:1	106-4945	1	Elbow
7:4	107-2813	1	Hose	9:1:1	100-6712	1	O-Ring
8		1	Middle Agitation Hose ASM ●	9:2	106-4935	1	Hosebarb ASM
8:1	106-4939	1	Hosebarb-Straight	9:2:1	100-6712	1	O-Ring
8:1:1	100-6712	1	O-Ring	9:3	2412-3	2	Clamp-Hose
				9:4	107-2812	1	Hose

● Not serviced separately



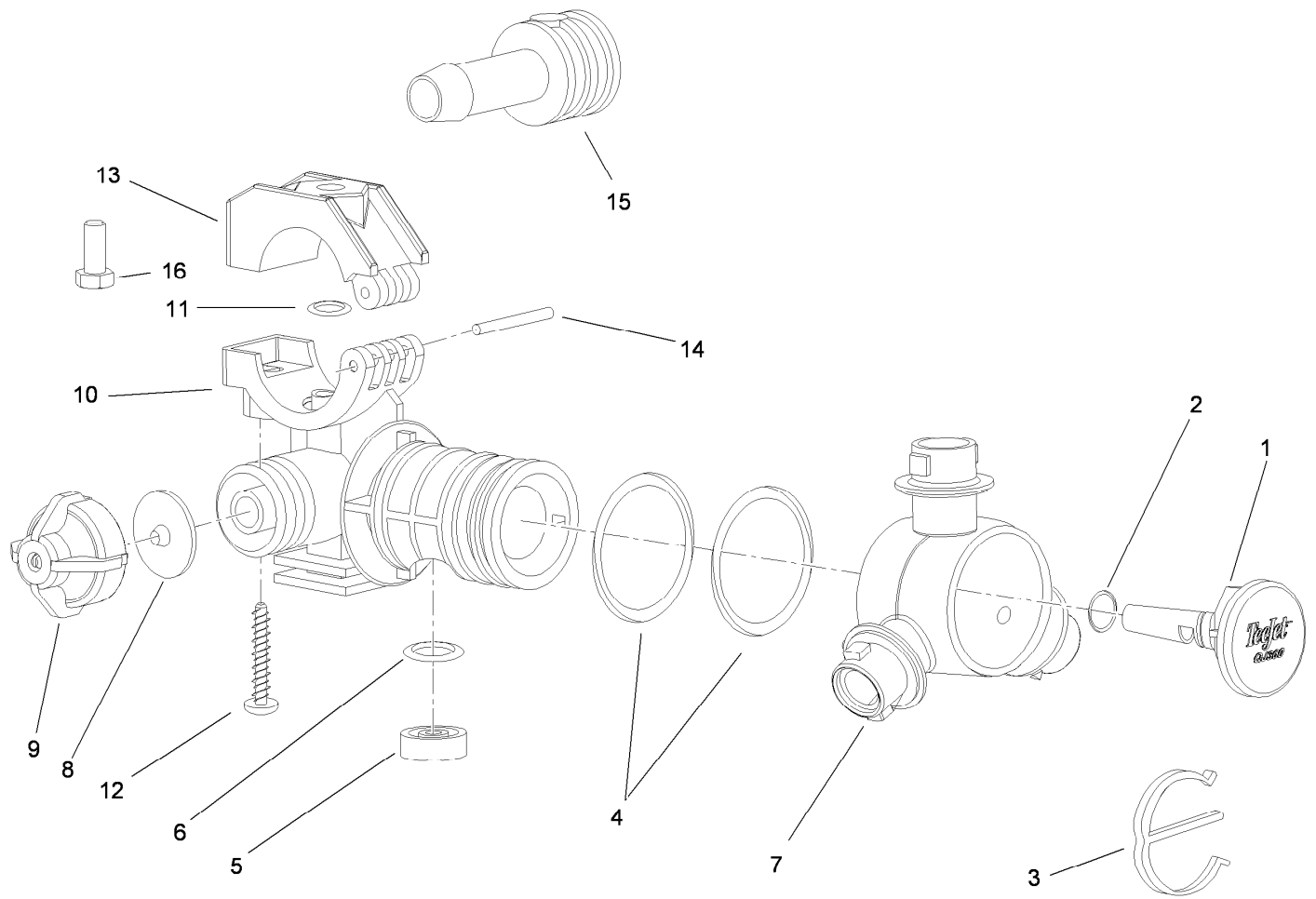
Center Boom Assembly

<i>Ref.</i>	<i>Part Number</i>	<i>Qty.</i>	<i>Description</i>	<i>Ref.</i>	<i>Part Number</i>	<i>Qty.</i>	<i>Description</i>
1	108-3489	4	Cap-Tube	25	114-9576	2	Decal-Pinchpoint
2	108-3495	2	Cover-Slide	26	108-3727	1	Double Turret Body ASM
3	108-3457	2	Spacer	27	95-9186	3	Cap
4	108-3476-03	2	Upper Cradle ASM	27:1	40998	1	Seat-Gasket
5	104-8301	12	Nut-Flange, NI	28	108-3735	1	Hose-Boom, Center (LH)
6	108-3472-03	2	Lower Cradle ASM	29	114-9579-03	1	Frame ASM
7	110-5057	4	Capscrew-HHF	30	108-3725	1	LH Single Body Turret ASM
8	110-5050	10	Screw-HHF	31	107-8775	3	Bracket-Mount, Nozzle
9	108-3408-03	1	Frame-Mount, Boom (LH)	32	110-5053	2	Screw-Flange
10	108-3723	1	Grommet	33	112-7884	2	Pivot Pin ASM
11	108-3745	4	Nut-HF, Whiz	34	114-9560-03	1	Strap-Clevis
12	108-3409-03	1	Frame-Mount, Boom (RH)	35	108-3436	2	Pin-Clevis
13	108-3744	2	Screw-Shoulder	36	3290-468	2	Pin-Cotter
14	114-9566	2	Clamp-R	37	3269-18	6	Rivet-Pop
15	108-3743	2	Washer	38	108-3438	2	Actuator
16	104-8300	17	Nut-Flange, NI	39	108-3742	2	Screw-HHF
17	108-3469-03	1	Plate-Washer	40	110-5067	2	Screw-CARR
18	108-3726	1	RH Single Body Turret ASM	41	110-5070	2	Bumper-Neoprene
19	108-3718	1	Hose-Boom, Center (RH)	42	3256-68	2	Washer-Flat
20	2412-129	7	Clamp-Hose	43	32128-54	2	Nut-HF
21	108-3439	1	Tee	44	112-7881	2	Bumper
22	108-3717	1	Hose-Boom	45	108-3748	8	Screw-HHF
23	3296-23	2	Nut-Lock, NI	46	112-7872-03	2	Bracket-Hard Stop
24	95-9187	6	Cap-Blank	47	105-1763	2	Screw-HHF
24:1	40998	1	Seat-Gasket				



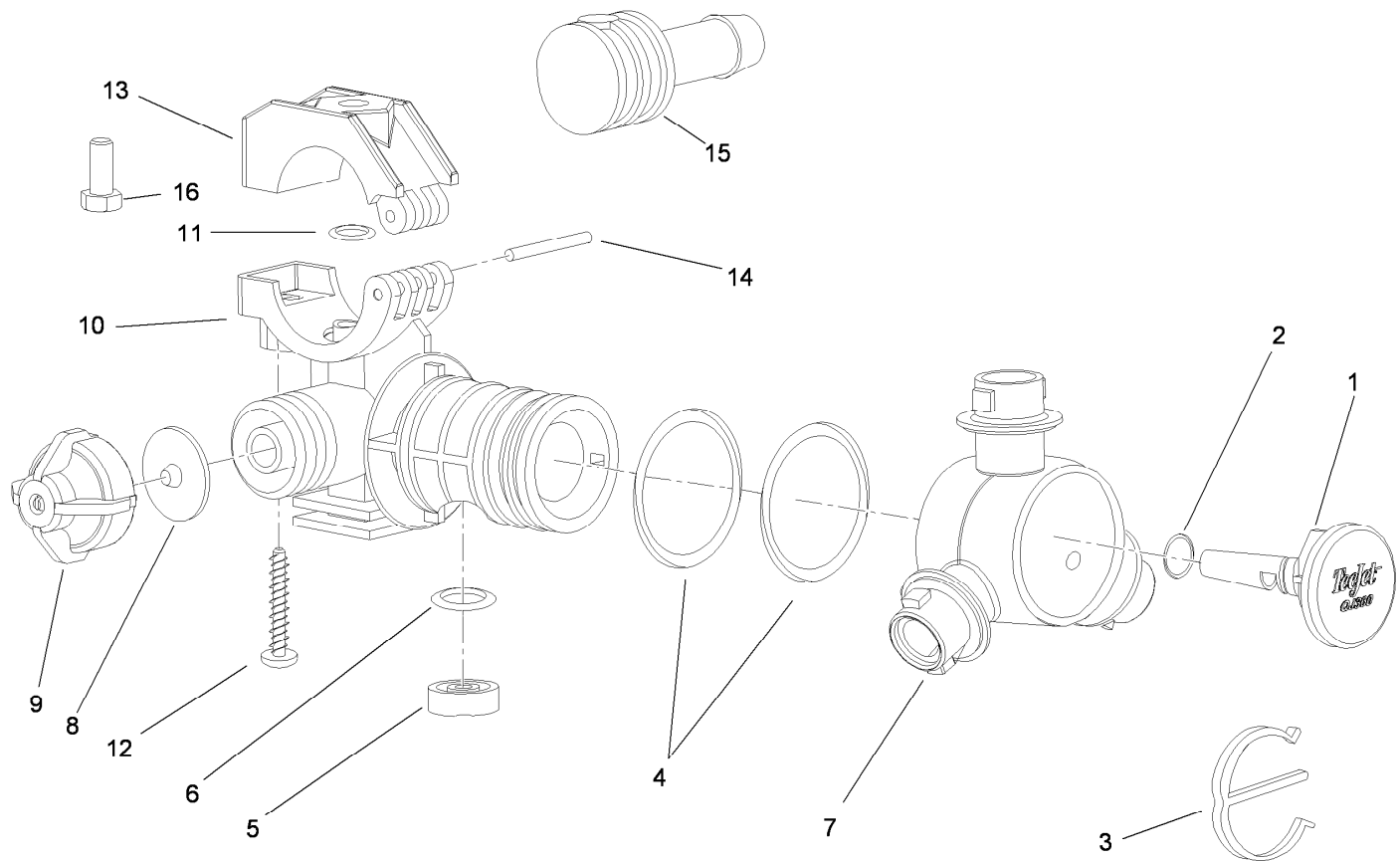
Left and Right Hand Boom Assembly

Ref.	Part Number	Qty.	Description	Ref.	Part Number	Qty.	Description
1	108-3459	4	Boot-Hinge	21	2412-129	18	Clamp-Hose
2	108-3440	4	Spring-Breakaway, Boom	22	108-3727	4	Double Turret Body ASM
3	108-3730	4	Tube-Hinge	23	240-3	4	Grommet-Rubber
4	108-3444	4	Retainer-Spring	24	108-3721	2	Hose-Boom
5	3296-15	4	Nut-Lock, NI	25	104-8301	16	Nut-Flange, NI
6	108-3738	4	Screw-HH	26	108-3439	2	Tee
7	110-5054	4	Washer-Flat	27	108-3728	2	Hose-Boom
8	302-5	8	Fitting-Grease	28	95-9186	8	Cap
9	110-5050	16	Screw-HHF	28:1	40998	1	Seat-Gasket
10	108-3605	8	Plate-Backing	30	95-9187	16	Cap-Blank
11	104-8300	10	Nut-Flange, NI	30:1	40998	1	Seat-Gasket
14	108-3429	4	Block-Slide	31	108-3471-03	4	Hinge
15	108-3746	8	Screw-Plastite	32	108-3600-03	2	*obs* Bracket-Pivot
16	108-3524-03	1	RH Boom ASM	33	100-8541	4	Bushing-A Arm
17	108-3525-03	1	LH Boom ASM	34	108-3748	2	Screw-HHF
18	108-3726	2	RH Single Body Turret ASM	35	108-3419	2	Pivot Pin ASM
19	108-3725	2	LH Single Body Turret ASM	36	107-8650	2	Conduit-Convolutod
20	40506	4	Hose-Jumper	37	3290-378	4	Cable Tie



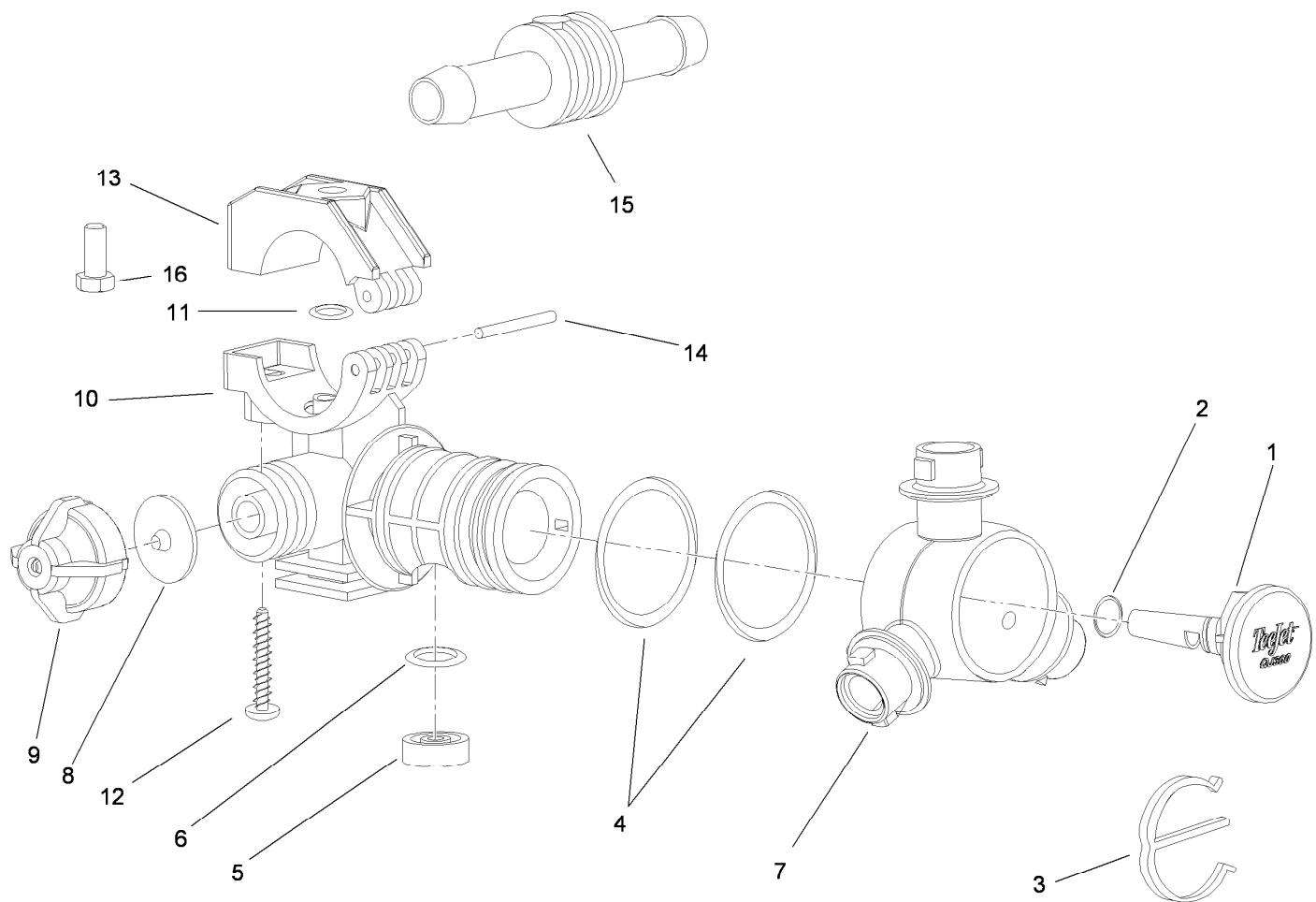
RH Single Body Turret Assembly No. 108-3726

<i>Ref.</i>	<i>Part Number</i>	<i>Qty.</i>	<i>Description</i>	<i>Ref.</i>	<i>Part Number</i>	<i>Qty.</i>	<i>Description</i>
1	95-9200	1	Plug	9	95-9193	1	Cap-Diaphragm
2	95-9198	1	O-Ring	10	95-9192	1	Body-Split Eyelet
3	95-9197	1	E-Clip	11	95-9191	1	O-Ring
4	95-9199	2	O-Ring	12	99-0811	1	Screw-Clamp
5	108-3264	1	Seal-Viton	13	99-0812	1	Clamp-Upper
6	108-3265	1	O-Ring-Viton	14	99-0814	1	Pin-Pivot
7	95-9196	1	Turret	15	95-9201	1	Shank-Hose
8	41003	1	Diaphragm	16	322-3	1	Screw-HH



LH Single Turret Body Assembly No. 108-3725

Ref.	Part Number	Qty.	Description	Ref.	Part Number	Qty.	Description
1	95-9200	1	Plug	9	95-9193	1	Cap-Diaphragm
2	95-9198	1	O-Ring	10	95-9192	1	Body-Split Eyelet
3	95-9197	1	E-Clip	11	95-9191	1	O-Ring
4	95-9199	2	O-Ring	12	99-0811	1	Screw-Clamp
5	108-3264	1	Seal-Viton	13	99-0812	1	Clamp-Upper
6	108-3265	1	O-Ring-Viton	14	99-0814	1	Pin-Pivot
7	95-9196	1	Turret	15	95-9201	1	Shank-Hose
8	41003	1	Diaphragm	16	322-3	1	Screw-HH



Double Turret Body Assembly No. 108-3727

Ref.	Part Number	Qty.	Description	Ref.	Part Number	Qty.	Description
1	95-9200	1	Plug	9	95-9193	1	Cap-Diaphragm
2	95-9198	1	O-Ring	10	95-9192	1	Body-Split Eyelet
3	95-9197	1	E-Clip	11	95-9191	1	O-Ring
4	95-9199	2	O-Ring	12	99-0811	1	Screw-Clamp
5	108-3264	1	Seal-Viton	13	99-0812	1	Clamp-Upper
6	108-3265	1	O-Ring-Viton	14	99-0814	1	Pin-Pivot
7	95-9196	1	Turret	15	95-9202	1	Shank-Hose
8	41003	1	Diaphragm	16	322-3	1	Screw-HH

Attachments and Accessories

For 41235 Workman 200 Spray System Heavy-Duty Workman Vehicles

Product Name	Model/Part
Sprayer Valves O-Ring Kit	106-4846
Turret Seal Repair Kit	108-3263
Foam Marker Bracket Assembly	112-7866
Single Nozzle Kit.....	41024
Hose Reel Kit.....	41097
Spray Gun Kit	41133
Pro Foam Concentrate (4 x 1 Gallon)	41157
Sonic Boom Kit	41217
Foam Marker Kit	41236
Pro-Foam.....	41607

Notes:

Notes:

Notes:



Count on it.